



**HIGH-END,
PREMIUM
QUALITY**

BT7001

BACK-TO-BACK PORTRAIT DIGITAL SIGNAGE KIOSK

The BT7001 is a display kiosk designed to portrait mount two digital signage screens in a back-to-back configuration. A rigid chassis is fixed to a heavy duty steel base which can be used freestanding or bolted to the floor and is finished stylishly with satin black or white outer covers. The internal mounting system is made up of parts from our System X range, allowing 8-point micro-adjustment to ensure the mounted screens sit perfectly level and flush with the front and rear opening of the kiosk, which is laser cut to match your screen size.

SPECIFICATION

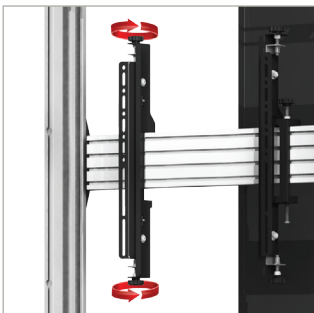
Suitable for screens	from 27" up to and above 98"
Max load	50kg (per screen)
VESA® and non-VESA fixings:	200 x 200 up to 600 x 400
Kiosk dimensions	W: 770mm D: 172mm H: 1850mm*
Base dimensions	W: 520mm D: 790mm H: 8mm*
Colour	Black or White
For indoor use only	

FEATURES

- High-end aesthetic quality with a premium high satin finish
- Tool-less micro-adjustments at 8 points for seamless screen alignment
- Suitable for portrait mounting
- Integrated cable management
- 8mm thick heavy duty steel base
- Can be used freestanding or bolted to the floor
- Lockable top panel helps prevent unauthorised removal of the screen
- Removable front and rear panels for easy installation and maintenance
- Includes internal storage area in lower section for media players and devices
- Vented top panel allows airflow to and from the device
- Kiosks can be branded with your company logo if required
- Simple 'hook-on' screen installation
- All mounting hardware included



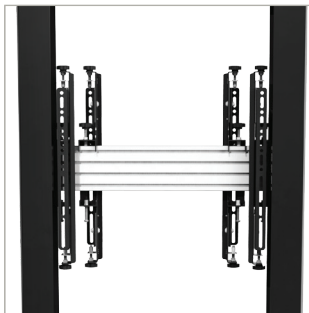
*Please note dimension applies to screens 42" - 55" (as shown). Kiosk dimensions for other screen sizes may differ - please ask for details



Tool-less micro-adjustments at 8 points for seamless screen alignment



Removable front and rear panels for easy installation and maintenance



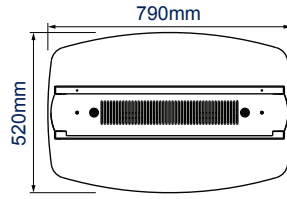
Simple 'hook-on' screen installation



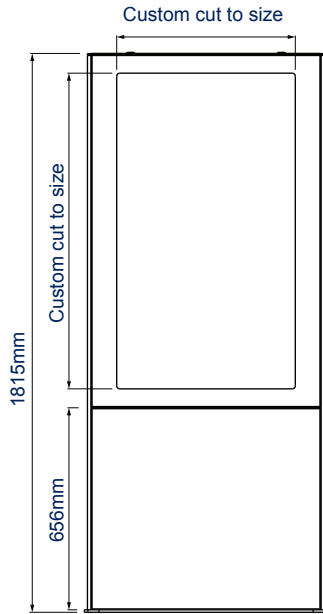
Available with your company logo if required



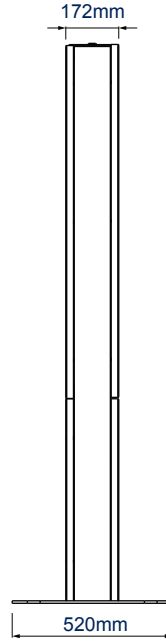
Please note dimensions are based on 42" - 55" screens. Kiosk dimensions for other sized screens may differ.



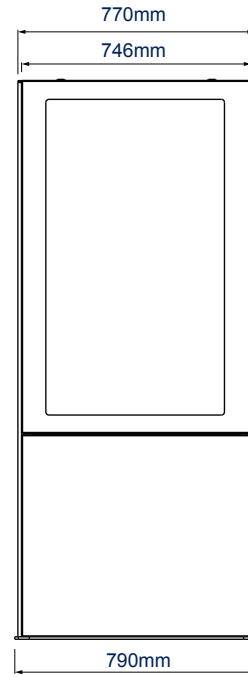
TOP VIEW



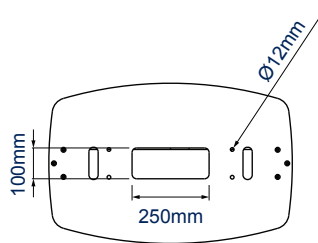
FRONT VIEW



SIDE VIEW



BACK VIEW



BASE

PACKING INFORMATION

COLOUR:	ORDER REF:	EAN CODE:	MASTER CARTON QTY:	INNER CARTON QTY:	MASTER CARTON WEIGHT:	MASTER CARTON CUBE:
Black	BT7001/B	5019318089923	1 (Shipped on Pallet)	0	N/A	N/A
White	BT7001/W	5019318089930	1 (Shipped on Pallet)	0	N/A	N/A

ACCESSORIES AND RELATED PRODUCTS

<p>BT7000</p>	<p>BT7002</p>	<p>BT9905</p>	<p>BT9906</p>
----------------------	----------------------	----------------------	----------------------

Single Screen Portrait Digital Signage Kiosk for wayfinding and information points

Ultra-Slim Portrait Digital Signage Kiosk for wayfinding and information points

Ultra-Stretch Signage Wall Mount for landscape mounting screens up to 50kg

Ultra-Stretch Signage Wall Mount for portrait mounting screens up to 50kg

© 2019 B-Tech Av Mounts. All rights reserved. The information in this document is current technical specifications at the time of print. We reserve the right to change the technical or physical specifications without prior notice. This B-Tech Av Mounts and B-Tech logo are registered trademarks of B-Tech Av Mounts Ltd. B-Tech Av Mounts Ltd. is not responsible for any damage caused by improper or misuse of our products. Any reproduction or retransmission or publication of any part of this specification is strictly prohibited unless prior written permission has been granted by B-Tech Av Mounts Ltd. (BTL)

SS-BT7001-V1.1-290317