



HIGH-END,
 PREMIUM
 QUALITY

BT7000

SINGLE SCREEN PORTRAIT DIGITAL SIGNAGE KIOSK

The BT7000 is a display kiosk designed to portrait mount a single digital signage screen. A rigid chassis is fixed to a heavy duty steel base which can be used freestanding or bolted to the floor and is finished stylishly with satin black or white outer covers. The internal mounting system is made up of parts from our System X range, allowing 8-point micro-adjustment to ensure the mounted screen sits perfectly level and flush with the front opening of the kiosk, which is laser cut to match your screen size.

SPECIFICATION

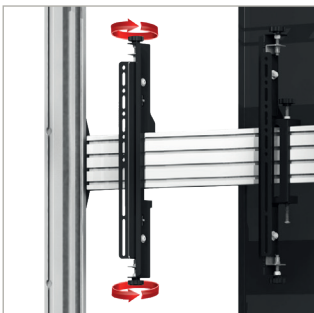
Suitable for screens	from 40" up to 65"
Max load	50kg
VESA® and non-VESA fixings:	200 x 200 up to 600 x 400
Kiosk dimensions	W: 770mm D: 172mm H: 1850mm*
Base dimensions	W: 520mm D: 790mm H: 8mm*
Colour	Black or White
For indoor use only	

FEATURES

- High-end aesthetic quality with a premium high satin finish
- Tool-less micro-adjustments at 8 points for seamless screen alignment
- Suitable for portrait mounting
- Integrated cable management
- 8mm thick heavy duty steel base
- Can be used freestanding or bolted to the floor
- Lockable top panel helps prevent unauthorised removal of the screen
- Removable front and rear panels for easy installation and maintenance
- Includes internal storage area in lower section for media players and devices
- Vented top and rear panels allow airflow to and from the device
- Kiosks can be branded with your company logo if required
- Simple 'hook-on' screen installation
- All mounting hardware included



*Please note dimension applies to screens 40" - 65" (as shown). Kiosk dimensions for other screen sizes may differ - please ask for details



Tool-less micro-adjustments at 8 points for seamless screen alignment



Removable front and rear panels for easy installation and maintenance

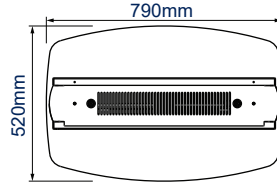


Vented rear panels allow airflow to and from the device

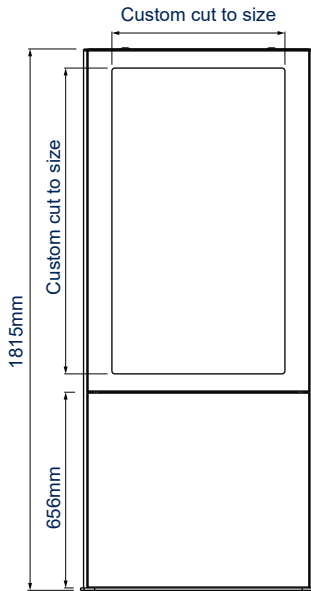


Available with your company logo if required

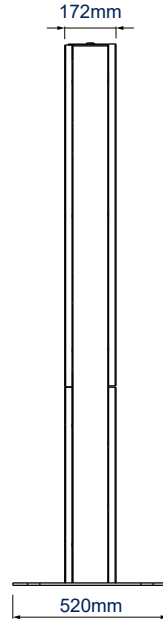
Please note dimensions are based on 40" - 65" screens. Kiosk dimensions for other sized screens may differ.



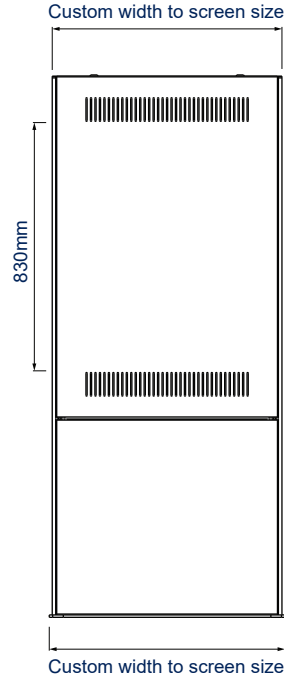
TOP VIEW



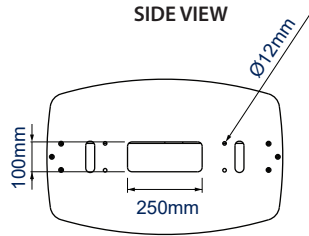
FRONT VIEW



SIDE VIEW



BACK VIEW



BASE

PACKING INFORMATION

COLOUR:	ORDER REF:	EAN CODE:	MASTER CARTON QTY:	INNER CARTON QTY:	MASTER CARTON WEIGHT:	MASTER CARTON CUBE:
Black	BT7000/B	5019318089909	1 (Shipped on Pallet)	0	N/A	N/A
White	BT7000/W	5019318089916	1 (Shipped on Pallet)	0	N/A	N/A

ACCESSORIES AND RELATED PRODUCTS



BT7001
Back-to-Back Portrait Digital Signage Kiosk for mounting two displays



BT7002
Ultra-Slim Portrait Digital Signage Kiosk for wayfinding and information points



BT9905
Ultra-Stretch Signage Wall Mount for landscape mounting screens up to 50kg



BT9906
Ultra-Stretch Signage Wall Mount for portrait mounting screens up to 50kg

© 2019 B-Tech Av Mounts. All rights reserved.
The information in this document is subject to change without notice. B-Tech Av Mounts and B-Tech logo are registered trademarks of B-Tech Av Mounts Ltd.
We warrant the goods to be free from defects in materials and workmanship for a period of 12 months from the date of purchase. B-Tech Av Mounts Ltd. is not liable for any damage caused by improper or unauthorized installation, use, or modification of the product. Any reproduction or transmission of any part of this specification is strictly prohibited unless prior written permission has been granted by B-Tech Av Mounts Ltd. (B-Tech).

SS-BT7000-V1.1-290317