



AVAILABLE
 IN MULTIPLE
 CONFIGURATIONS

BT8351

POP-OUT, MODULAR FREESTANDING VIDEOWALL MOUNT

SHOWN IN A 2X2
 CONFIGURATION



The BT8351 is a modular freestanding video wall mounting system with pop-out interface arms for easy screen maintenance. Available for use in both landscape and portrait* configurations, the BT8351 can be used for installations up to 7 rows high and as many columns wide as desired. The modular design and captive, fast-fit connectors make assembly and disassembly of video walls extremely quick and easy whilst 8 point tool-less micro-adjustment allows screens to be perfectly aligned with ease.

SPECIFICATION	
For screen sizes	46", 49" and 55"
Max load	50kg
VESA® compatibility	200 x 200 to 600 x 400

FEATURES

- Modular design allows quick and easy assembly and disassembly of videowalls - perfect for rental applications
- Order to your exact requirements, anything from 2x2 to 70x7!
- Can be ordered for landscape or portrait screen mounting*
- Features pop-in, pop-out function to aid installation and to allow access to the rear of screens for servicing and maintenance
- Tool-less micro-adjustments at 8 points for seamless display alignment
- Captive, fast-fit nuts and screws for fast assembly and disassembly
- Durable Epoxy powder coated frame is ideal for repeated assembly
- Choice of floor height spacers, with cosmetic covers included
- Non pop-out, curved and curved pop-out versions also available (see **BT8350/ BT8352 / BT8353**)
- Safety screws help prevent unauthorised removal of screens
- Adjustable support bar provides added stability to videowall installations
- Base sections can face backwards if desired (must be used with **BT8350-WP** or **BT8350-WB** Ballast supports)
- Wall tie-back accessories (**BT8350-EB** and **BT8380-WTB**) also available



PER SCREEN MICRO ADJUSTMENT

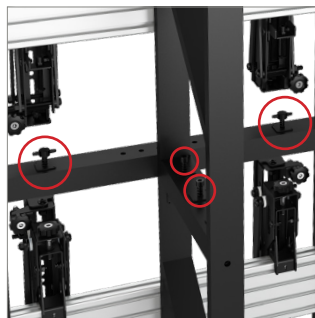
*Landscape / portrait must be specified when ordering, a landscape kit can be used in portrait orientation with a few additional parts



Tool-less micro-adjustment at 8 points for seamless display alignment



Cosmetic covers are included as standard



Captive fast-fit nuts and screws make assembly and disassembly quick and easy



Modular design allows quick and easy assembly

