



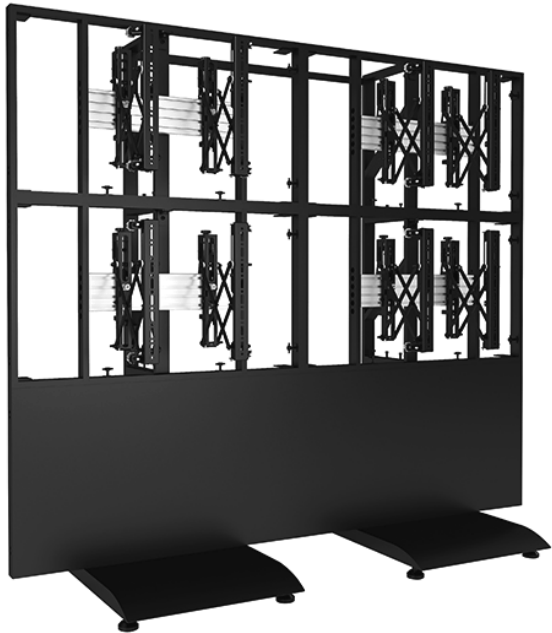
# BT835 1

## POP-OUT, MODULAR FREESTANDING VIDEOWALL MOUNT INSTALLATION GUIDE & PARTS LIST

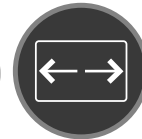
This Pack Contains 1 Stand

PLEASE KEEP THIS PARTS LIST FOR FUTURE REFERENCE

### FEATURES



- Designed for narrow bezel monitors of 46", 49" and 55" up to 50kg (110lbs) per monitor
- Modular design allows quick and easy assembly and disassembly of videowalls
- System X interface mounts up to VESA 600 x 400mm
- Features pop-in, pop-out function to aid installation and to allow easy service access to rear of screens
- Tool-less micro-adjustments for seamless display alignment
- Suitable for landscape or portrait screen mounting
- Captive, fast fit nuts and screws for quick assembly / disassembly
- Safety screws help prevent unauthorised removal of screens
- Strong steel structure
- Bases can be reversed to save space at the front of the stand\*  
*\*Additional ballast may be required*
- Covers on floor spacers and base as standard



Per Screen

### CONTENTS

Installation Safety Notes.....	2
Parts List.....	4
Floorstand Stability.....	8
Base Position.....	9
Installation Instructions.....	10
Accessories.....	18
B-Tech Contact Details.....	20

### INSTALLATION TOOLS REQUIRED

Crosshead  
screwdriver



Level



6AF Hex Key



## B-TECH AV MOUNTS

[www.btechavmounts.com](http://www.btechavmounts.com)

# INSTALLATION SAFETY INSTRUCTIONS



**CAUTION:** This stand is intended for use only with the maximum weights indicated. Use with flat screens heavier than the maximum indicated may result in instability causing possible injury.

Do not attempt to install this product until all instructions and warnings have been read and properly understood. Please keep these instructions for future reference.

Please check carefully to make sure there are no missing or defective parts - defective parts must never be used. B-Tech International Design & Manufacturing Ltd, its distributors and dealers are not liable or responsible for damage or injury caused by improper installation, improper use or failure to observe these safety instructions. In such cases, all guarantees will expire.

## General

Great care must always be taken during installation as most AV equipment is of a fragile nature, possibly heavy and easily damaged if dropped.

If you do not fully understand the instructions or are not sure how to install this product safely, then please consult a professional for advice and/or to install this product for you. Failure to mount this product correctly may cause serious injury or death both during installation and at any time thereafter. Do not mount any AV equipment that exceeds the specific weight limit of the product you are installing. This weight limit will be clearly stated on each product and its packaging and will vary from product to product.

## Product location

Please pay careful attention to where this product is located, some locations are not suitable for installation. For indoor use only. Install stand on level ground. When verifying the stability of the structure, consider the following external factors: The strength of the floor, exposure to sudden and severe wind and danger arising from contact with people and / or objects (eg installations in passageways, emergency exits), if located in a public or frequently populated area ensure that the product is out of the immediate reach of people.

## Fixing hardware

It is highly recommended that all fixing screws be used where supplied and that the purpose of all other fixing hardware is fully understood. In some cases more AV equipment fixing hardware will be supplied to accommodate different models of equipment and set up configurations.

The installer must be satisfied that any supplied fixing hardware is suitable for each specific installation. If any fixing screws or included hardware are deemed not sufficient for a safe installation then please consult a professional or your local hardware store.

## Hazard limitation

When routing cables take advantage of any built in cable management features that the product might provide and ensure that all cables are tidy and secure. Check to see that any moving aspect of the product can do so unhindered by any cabling.

Some products have moving parts and the potential to cause injury through the crushing or trapping of fingers or other body parts.

Particular attention to the nature of moving parts is required especially when assembling installing and adjusting during set up.

Immediately after installations double-check that the work done is safe and secure. Double-check all necessary fixings are present and are of ample tightness.

It is recommended that periodic inspections of the product and its fixing points are made as frequently as possible to ensure that safety is maintained. If in doubt consult a professional AV installer or other suitably qualified person.

CS

Společnost B-Tech International Design And Manufacturing Ltd. doporučuje provést instalaci tohoto produktu instalátora AV či jinak způsobilé osoby. Společnost B-Tech International Design And Manufacturing Ltd, její distributoři a prodejci nenesou prostřednictvím odborného odpov ědnost za škody nebo zranění způsobená nevhodnou instalací. Tento výrobek je nutno umístit do vhodné konstrukce a používat jen po uvedené maximální výšce.

DE

B-Tech International Design And Manufacturing Ltd. empfiehlt, dass dieses Produkt durch einen qualifizierten AV-Techniker oder eine andere Person mit geeigneter Qualifikation installiert wird. B-Tech International Design And Manufacturing Ltd, ihre Distributoren und Händler können nicht für durch fehlerhafte Montage verursachte Beschädigung oder Verletzung haftbar bzw. verantwortlich gemacht werden. Dieses Produkt muss auf eine geeigneten Untergrund montiert werden und darf nur bis zum angegebenen Höchstgewicht verwendet werden.

ES

B-Tech International Design And Manufacturing Ltd. recomienda que un instalador de audio y video profesional u otra persona debidamente cualificada instalen este producto. B-Tech International Design And Manufacturing Ltd, sus distribuidores y concesionarios no se hacen cargo ni se responsabilizan de ningún daño o lesión provocados por una instalación inapropiada. Este producto se debe montar en una estructura adecuada y se debe utilizar soportando solamente hasta el peso máximo indicado.

FR

B-Tech International Design And Manufacturing Ltd. recommande de confier l'installation de ce produit à un installateur AV professionnel ou à une autre personne dûment qualifiée. B-Tech International Design And Manufacturing Ltd, ses distributeurs et ses revendeurs ne sauraient être tenus responsables de tout dégât ou de toute blessure résultant d'une installation incorrecte. Ce produit doit être monté sur un support approprié et utilisé dans la limite du poids maximum indiqué.

IT

B-Tech International Design And Manufacturing Ltd. consiglia di affidare l'installazione di questo prodotto a un installatore specializzato o ad altra persona adeguatamente qualificata. B-Tech International Design And Manufacturing Ltd. i suoi distributori e rivenditori non accettano alcuna responsabilità nei riguardi di eventuali danni o infortuni causati da un'errata installazione. Questo prodotto deve essere fissato a una struttura idonea e utilizzato unicamente sino al peso massimo indicato.

NL

B-Tech International Design And Manufacturing Ltd. adviseert om dit product te laten installeren door een professionele AV-instalateur of andere hiervoor gekwalificeerde persoon. B-Tech International Design And Manufacturing Ltd, haar distributeurs en dealers zijn niet aansprakelijk of verantwoordelijk voor schade of letsel die is veroorzaakt door onoordeelkundige installatie. Dit product moet worden gemonteerd aan een geschikte constructie, waarbij het aangegeven maximum gewicht niet mag worden overschreden.

PL

Firma B-Tech International Design And Manufacturing Ltd. zaleca, aby ten produkt był instalowany przez profesjonalnych instalatorów AV lub inny odpowiednio przeszkolony personel. Firma B-Tech International Design And Manufacturing Ltd, jej dystrybutorzy i dealerzy nie ponoszą odpowiedzialności za uszkodzenia lub obrażenia ciała powstałe w wyniku nieprawidłowej instalacji. Niniejszy produkt musi być zamontowany na odpowiedniej powierzchni, a podczas u żytkowania nie wolno przekraczać podanego maksymalnego obciążenia.

PT

A B-Tech International Design And Manufacturing Ltd. recomenda que a instalação deste produto seja efectuada por um instalador de AV instalador de AV profissional ou outra pessoa devidamente habilitada. A B-Tech International Design And Manufacturing Ltd. e os seus distribuidores e concessionários não são responsáveis por danos ou lesões causados por uma instalação incorrecta. Este produto tem de ser montado numa estrutura adequada e utilizado somente até ao peso máximo indicado.

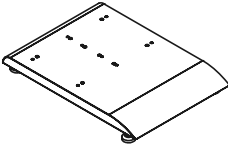



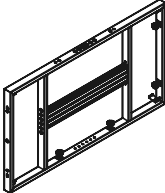
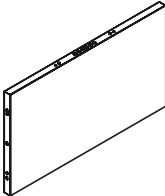
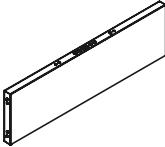
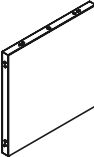
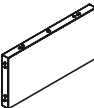


RU

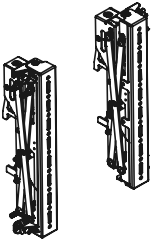
Компания B-Tech International Design And Manufacturing Ltd. рекомендует, чтобы установка данного изделия производилась инженером по установке аудио-видеотехники или другим специалистом с соответствующей квалификацией. Компания B-Tech International Design And Manufacturing Ltd. ее дистрибьюторы и дилеры не несут ответственности за повреждения или травмы, полученные в результате неправильной установки. Данное изделие должно

توصي بي- تك للتجارة الدولية المحدودة بأن شخص محترف في تركيب ال AV او شخص مؤهل تأهيلا مناسباً لتركيب هذا المنتج. بي- تك للتجارة الدولية، موزعيها والتجار ليست عرضة أو مسؤولة عن الأضرار أو الإصابات الناجمة عن تركيب غير سليم، والاستخدام غير السليم أو عدم مراعاة هذه التعليمات للسلامة. يجب أن يتم تركيب هذا المنتج في بنية مناسبة ويجب استخدامه فقط لدعم الحد الأقصى للوزن المشار إليه.

# BT8351 PARTS LIST

Depending on the configuration some parts listed below may not be included or required.

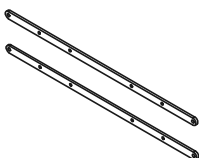
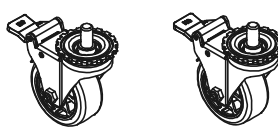
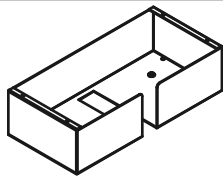
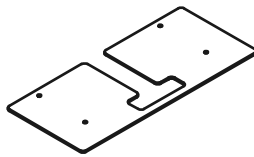

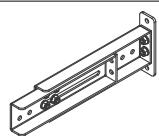
PRODUCT NAME	IMAGE	PRODUCT DESCRIPTION
BT8350-BASE		Base
BT8350-BF461 BT8350-BF491 BT8350-BF551		Back Frame 1
BT8350-BF462 BT8350-BF492 BT8350-BF552		Back Frame 2
BT8350-BF463 BT8350-BF493 BT8350-BF553		Back Frame 3
BT8350-IF46 BT8350-IF49 BT8350-IF55		Interface Frame
BT8350-FS461 BT8350-FS491 BT8350-FS551		Landscape Floor Spacer 1
BT8350-FS463 BT8350-FS493 BT8350-FS553		Landscape Floor Spacer 3
BT8350-FS464 BT8350-FS494 BT8350-FS554		Portrait Floor Spacer 4
BT8350-FS465 BT8350-FS495 BT8350-FS555		Portrait Floor Spacer 5
BT8350-SL		Support Bar Landscape
BT8350-SP		Support Bar Portrait

PRODUCT NAME	IMAGE	PRODUCT DESCRIPTION
BT8390-VESA400MAP		Pop-Out Interface Arms

**SCREEN FIXING KIT**

ITEM	DESCRIPTION
A	M6 x 16mm SCREW
B	M6 x 25mm SCREW
C	M6 x 40mm SCREW
D	M8 x 16mm SCREW
E	M8 x 25mm SCREW
F	M8 x 40mm SCREW
G	M6 WASHER
H	5mm SPACER
I	13mm SPACER
J	24mm SPACER
K	5AF HEX KEY
L	4AF HEX KEY

**ADDITIONAL BT8350 ACCESSORIES**

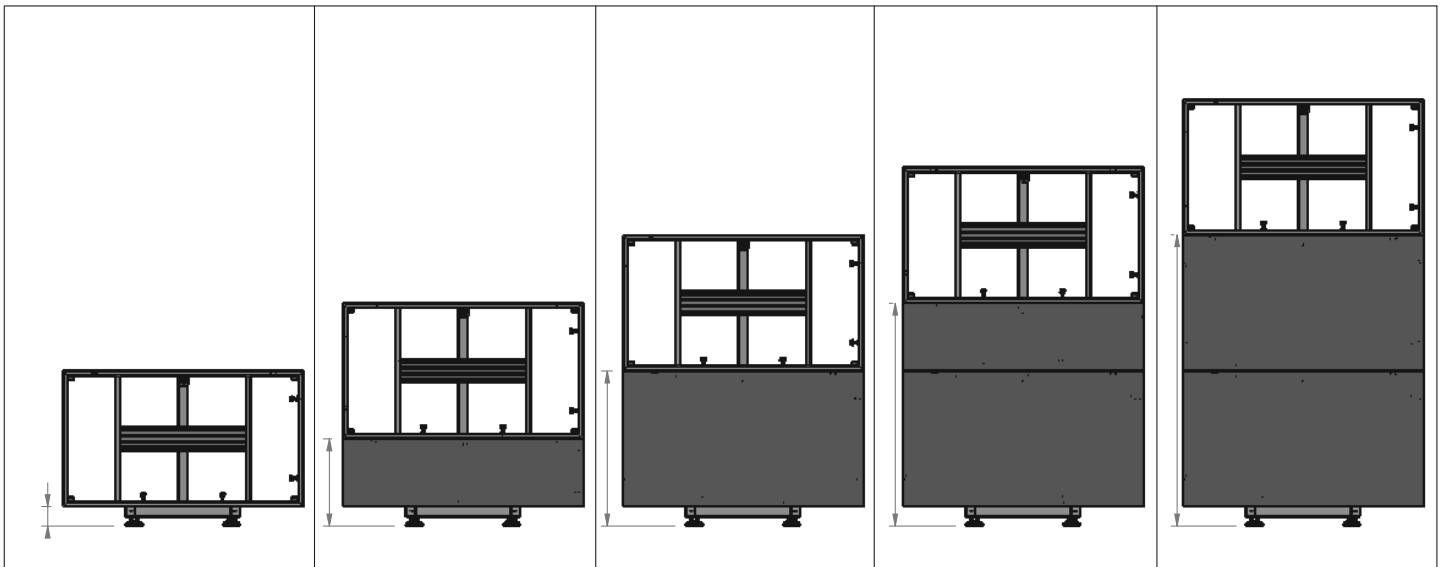
BT7564		Interface Adaptor Arms for VESA® 600 x 400
BT8380-CASTORS		Castors
BT8350-WB		Weight Box
BT8350-WP		Weight Plate
BT8350-EB		Eye Bolt
BT8380-WTB		Wall Tie-Back

PLEASE KEEP THIS FOR FUTURE REFERENCE

# FLOOR SPACER OPTIONS

The table below shows the floor spacer options available to use for videowalls in a landscape display with their spacing distance from the floor to the bottom of the bottom screen (cm).

## LANDSCAPE



Screen Size	Floor Spacer using Feet (Distance from floor to bottom of screen - cm)				
46"	R10	R39	R68	R97	R126
49"	R10	R40	R71	R100	R131
55"	R10	R44	R78	R112	R146
	Floor Spacer using Castors (Distance from floor to bottom of screen - cm)				
46"	R19	R48	R77	R106	R135
49"	R19	R49	R80	R109	R140
55"	R19	R53	R87	R121	R155

# FLOOR SPACER OPTIONS

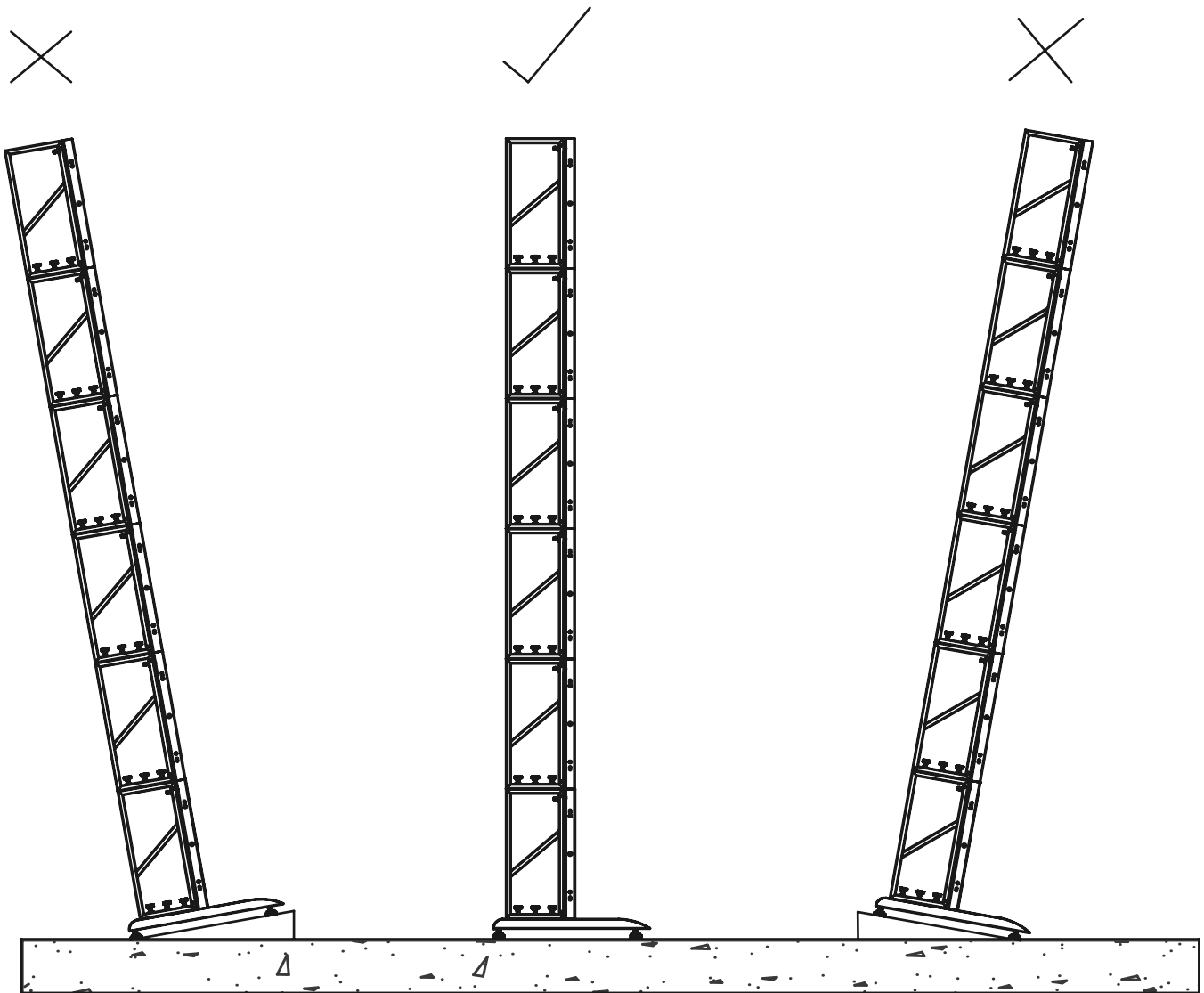
The table below shows the floor spacer options available to use for videowalls in a portrait display with their spacing distance from the floor to the bottom of the bottom screen (cm).

## PORTRAIT



Screen Size	Floor Spacer Using Feet (Distance from floor to bottom of screen - cm)				
46"	R10	R39	R68	R97	R112
49"	R10	R40	R71	R100	R118
55"	R10	R44	R78	R112	R131
	Floor Spacer Using Castors (Distance from floor to bottom of screen - cm)				
46"	R19	R48	R77	R106	R121
49"	R19	R49	R80	R109	R127
55"	R19	R53	R87	R121	R140

# INSTALLATION NOTES



Must be used on level floor (no inclination)

## FLOORSTAND STABILITY

**!!! WARNING - DANGER !!!**

For reasons of safety, where necessary secure the top of the structure to a solid wall.

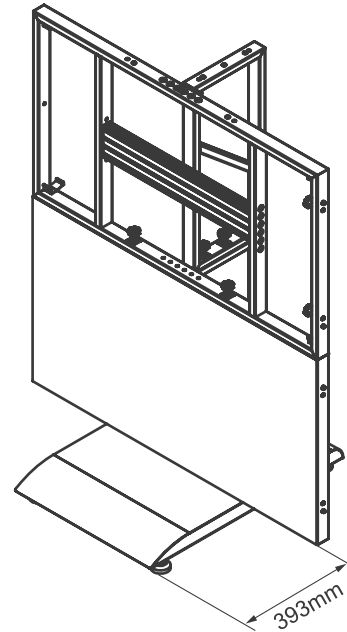
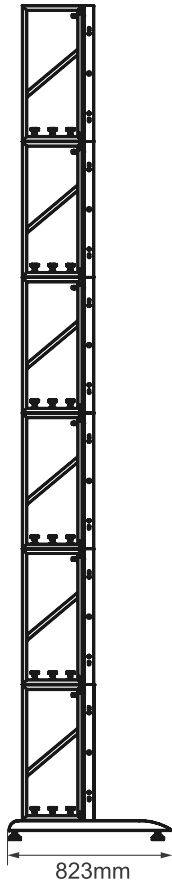
When verifying the stability of the structure, consider the following external factors:

1. The strength of the floor.
2. Exposure to sudden and severe wind.
3. Danger arising from contact with people and / or objects. (eg installations in passageways, emergency exits).



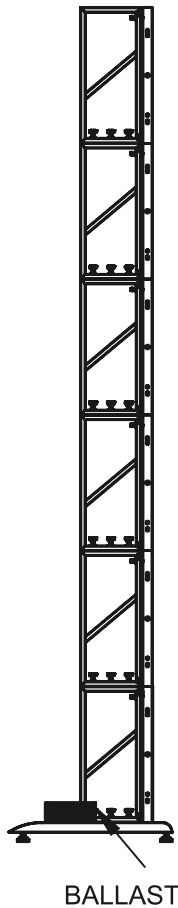
# BASE POSITIONING

## A. Standard Base Orientation

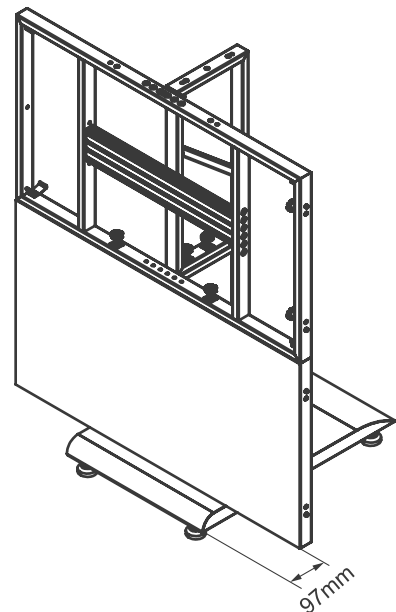


Suitable for indoor environments with no wind. If the assembly is erected in areas where there may be exposure to wind (eg, air currents, areas with large open ventilation) it is necessary to include/increase the ballast to an appropriate amount and/or anchor the floorstand to a solid wall.

## B. Reversed Base Orientation



**IMPORTANT**  
Ballast must be used when reversing the base.  
Contact B-Tech for the amount (kg) of ballast needed for your videowall configuration:  
[technical@btechavmounts.co.uk](mailto:technical@btechavmounts.co.uk)

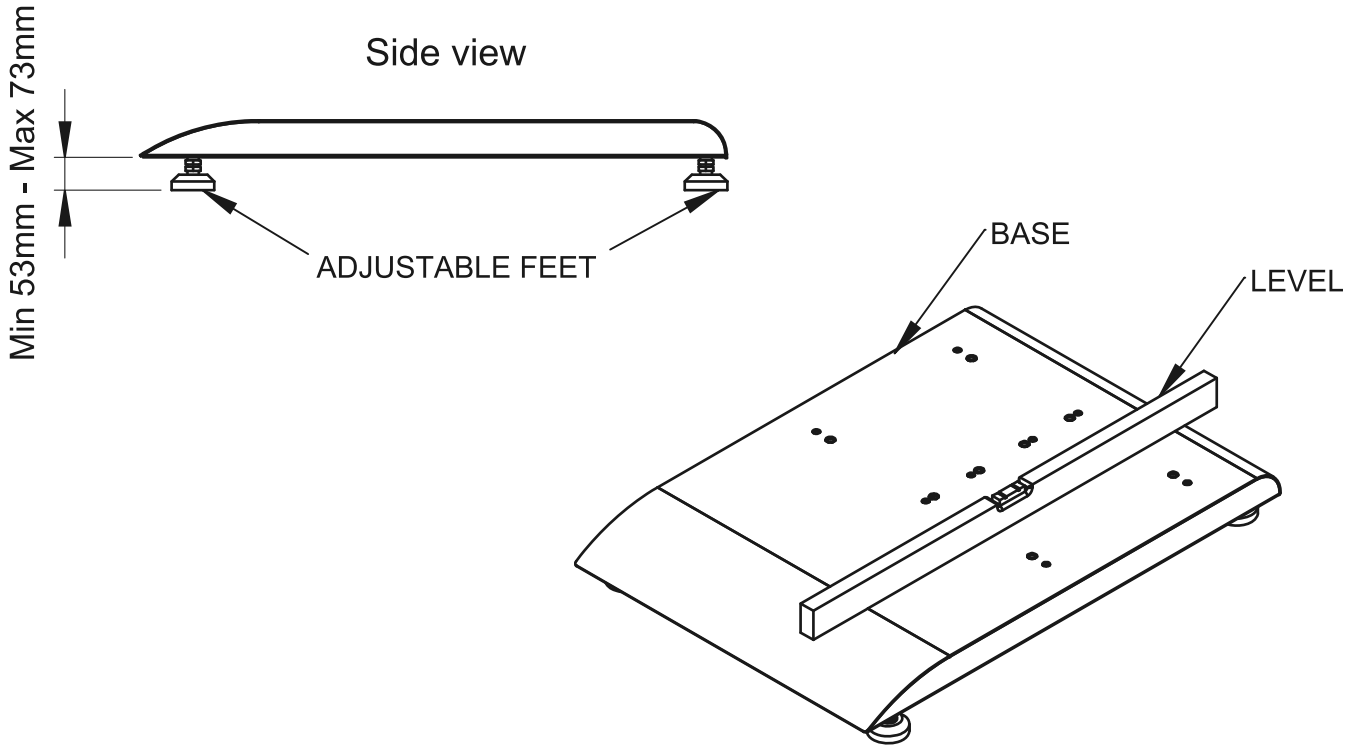


# INSTALLATION INSTRUCTIONS

1

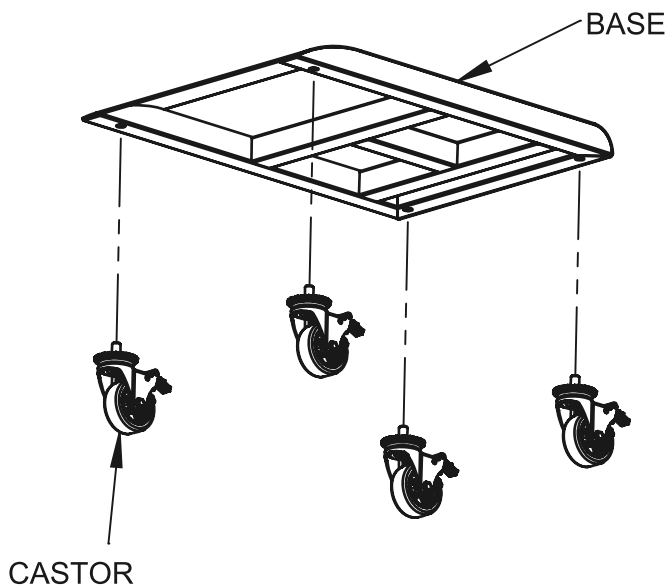
## Level the Base

Use a level and adjust feet to level the base.



## Attaching Castors to Base for Mobile Videowalls

Apply the brakes on the castors first. Remove the Feet and screw each castor into the base. Before adding frames onto the base.

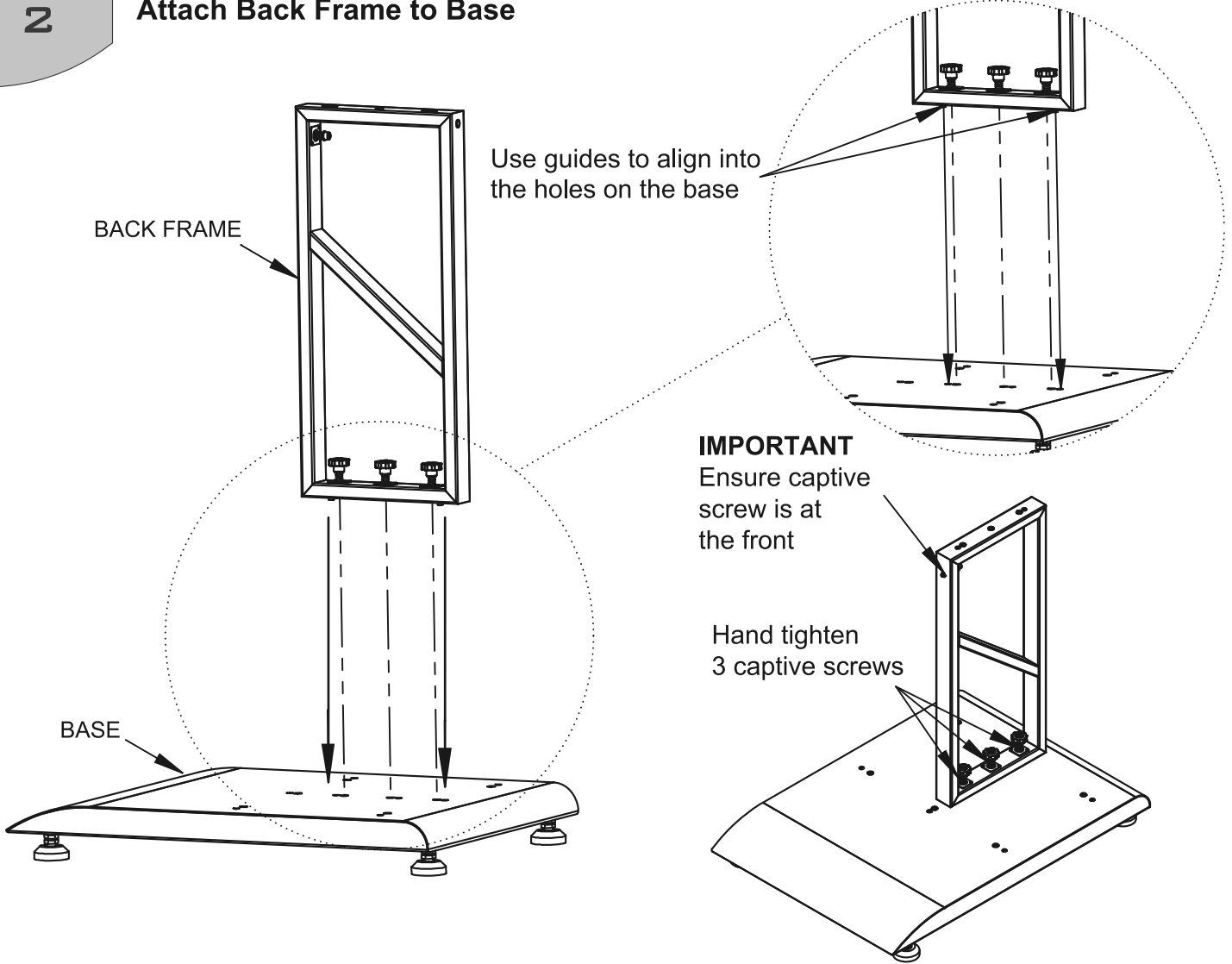


### WARNING

When Castors are used the maximum height of the structure is 2.5m (to the top of the top screen).

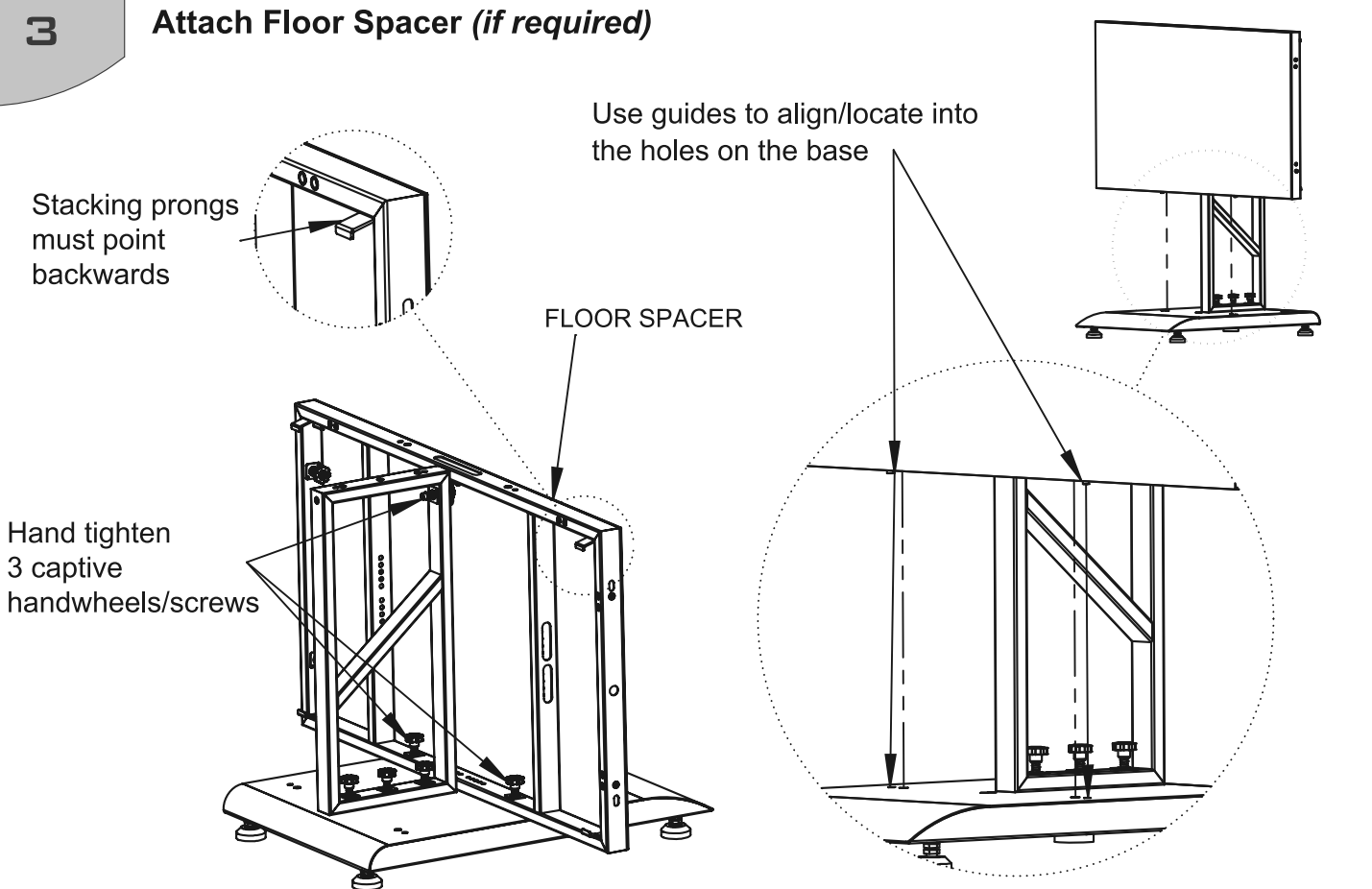
2

### Attach Back Frame to Base



3

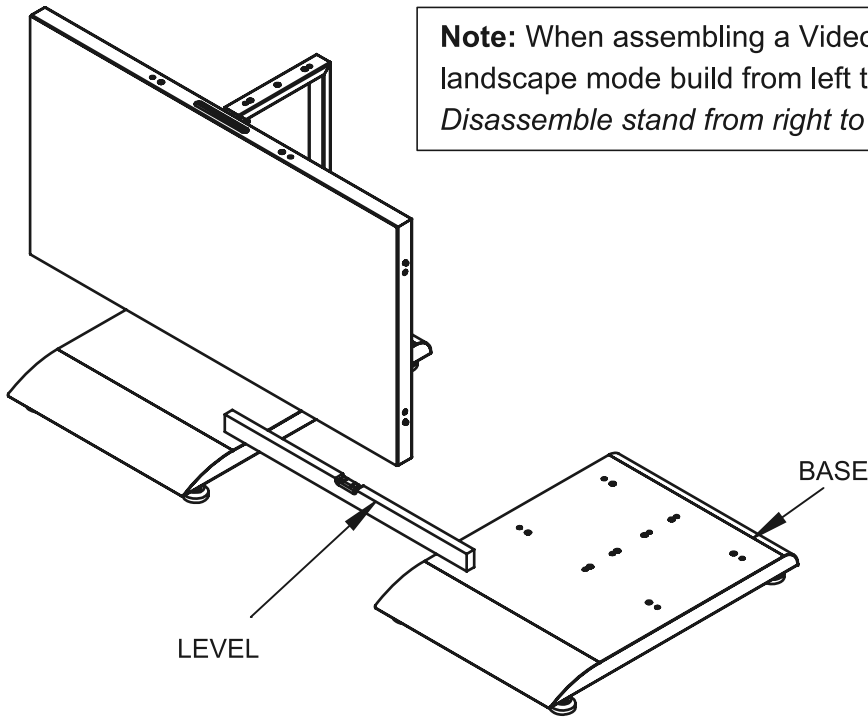
### Attach Floor Spacer (if required)



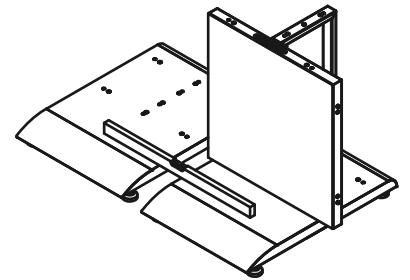
4

### Level the Next Base

Sit the next base down to the right hand side of the first base. Use a level across both bases and adjust feet to level base.



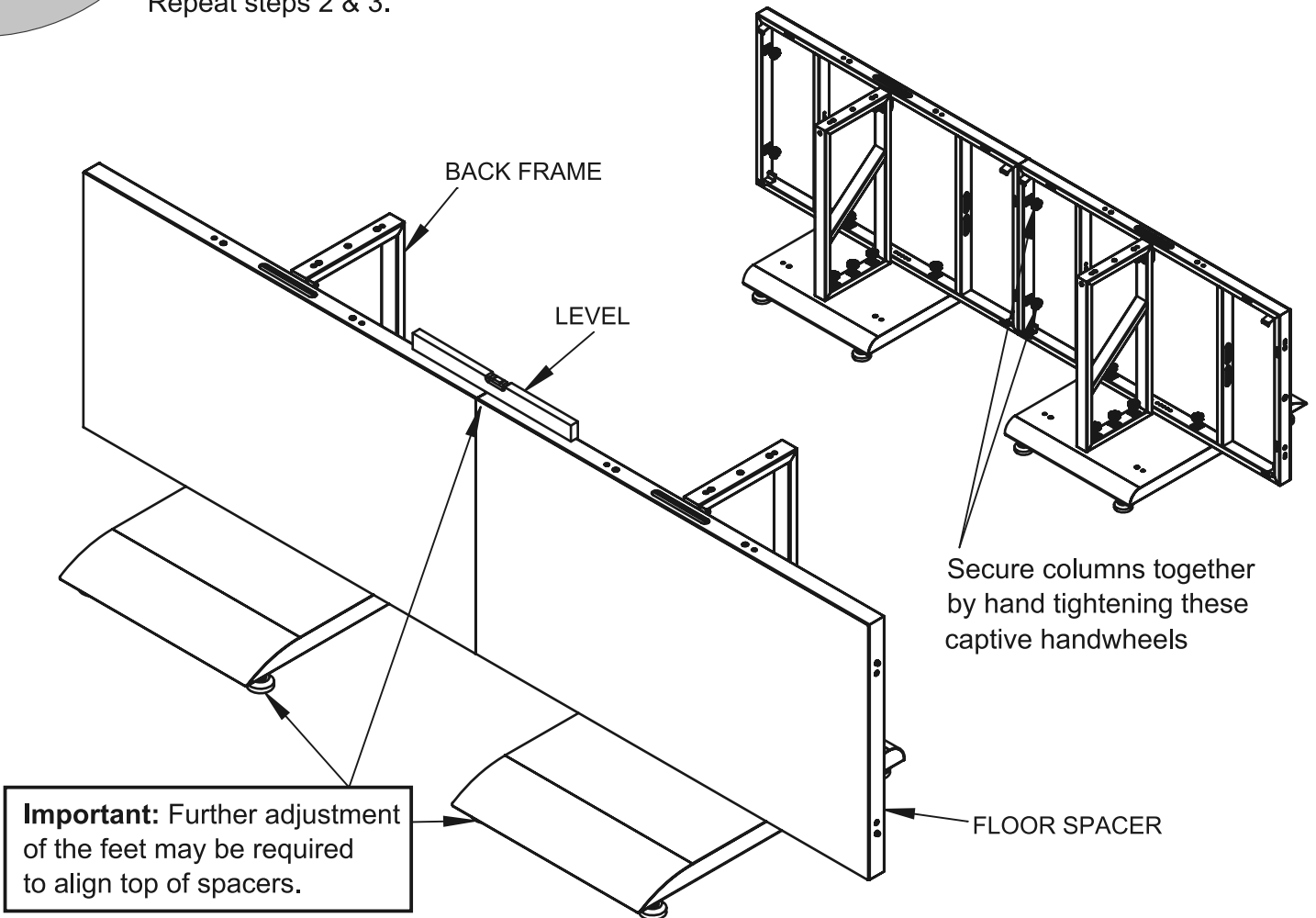
**Note:** When assembling a Videowall in portrait mode build from right to left and disassemble left to right.



5

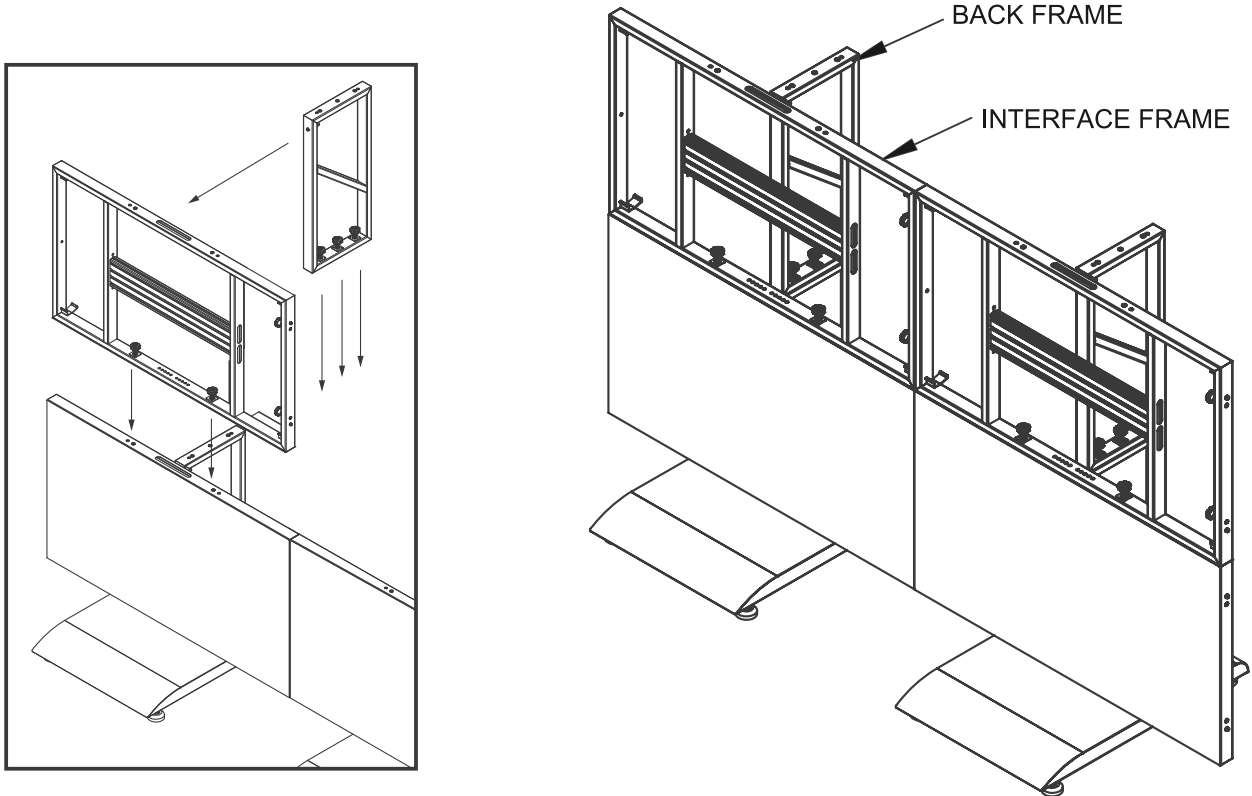
### Attach Back Frame and Floor Spacer

Repeat steps 2 & 3.

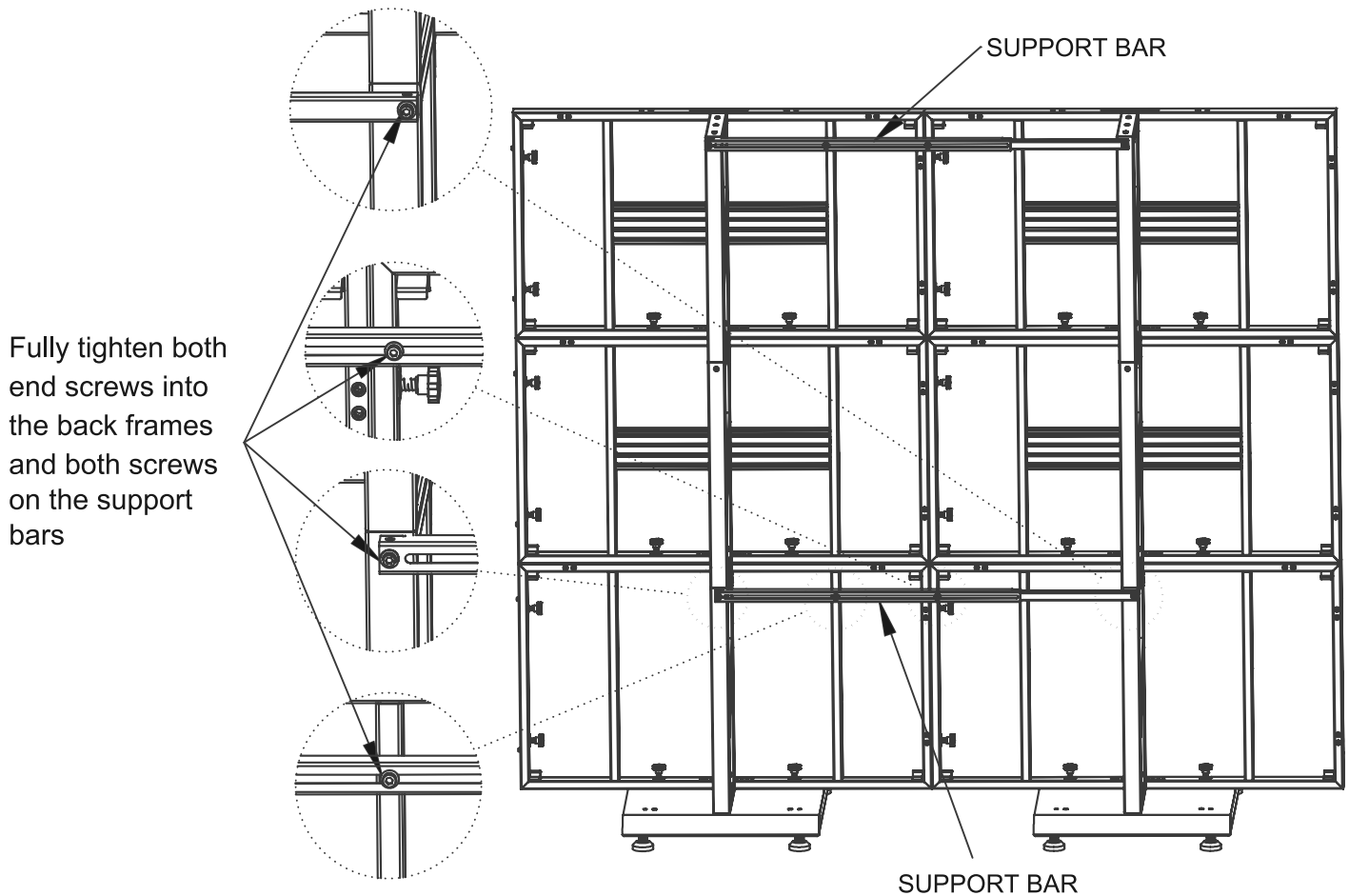


**6****Attach Back Frame and Interface Frame**

Repeat this step for multiple screen rows.

**7****Attaching Support Bars**

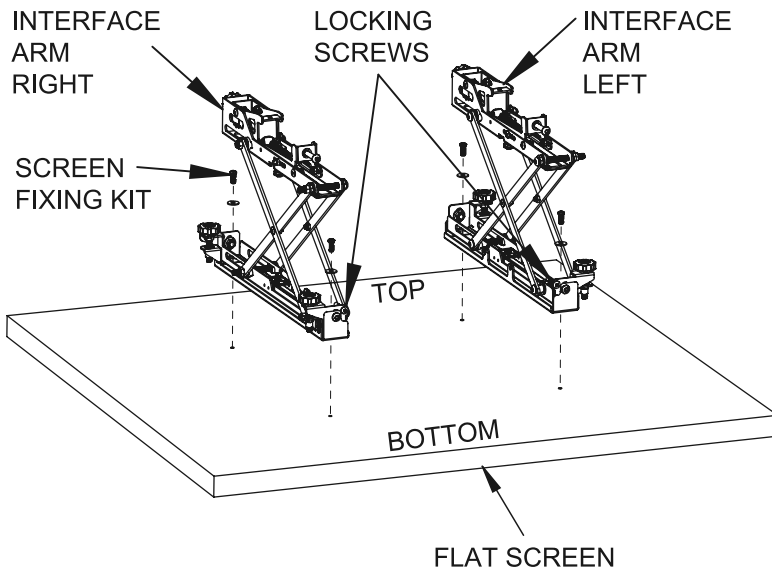
- i. Attach support bars to the back frames before mounting the screens. Evenly distribute the support bars across the structure.
- ii. Fully tighten all of the fixings on the structure using a 6AF allen key.



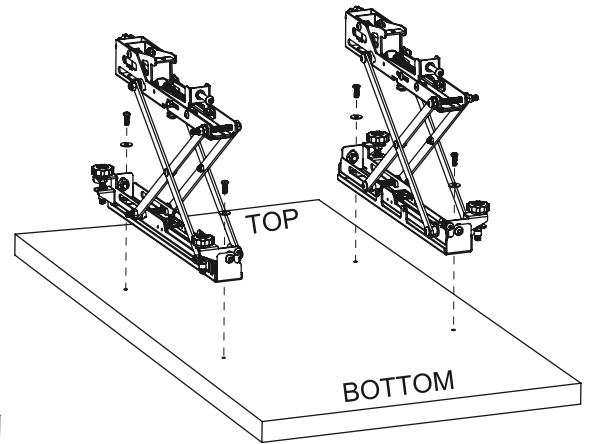
## Attach Interface Arms to Screens

- i. Pop open the interface arms. Check the locking screw is in the unlocked position on all arms.
- ii. Attach the right and left interface arms to the back of the screens using the screen fixing kit.

### Landscape Orientation

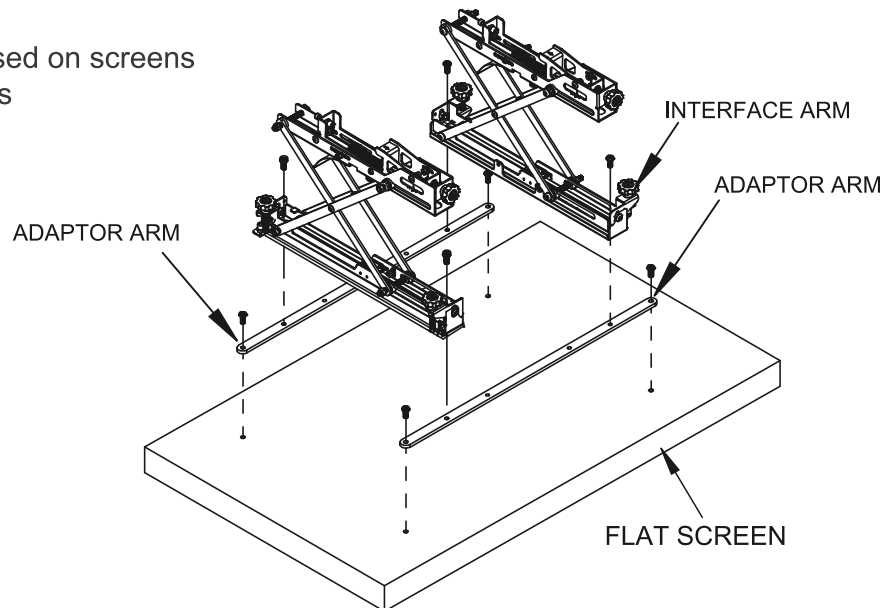


### Portrait Orientation

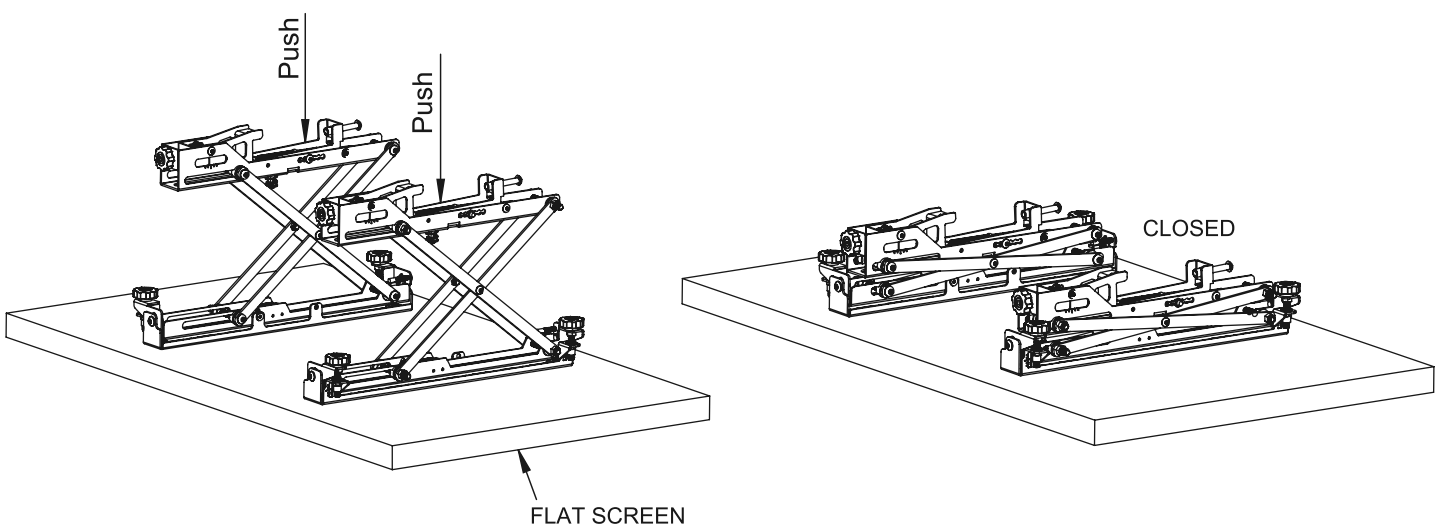


**NOTE:** Ensure the same holes are used on both of the interface arms.

**Note:** Adaptor arms must be used on screens with VESA 600mm fixings

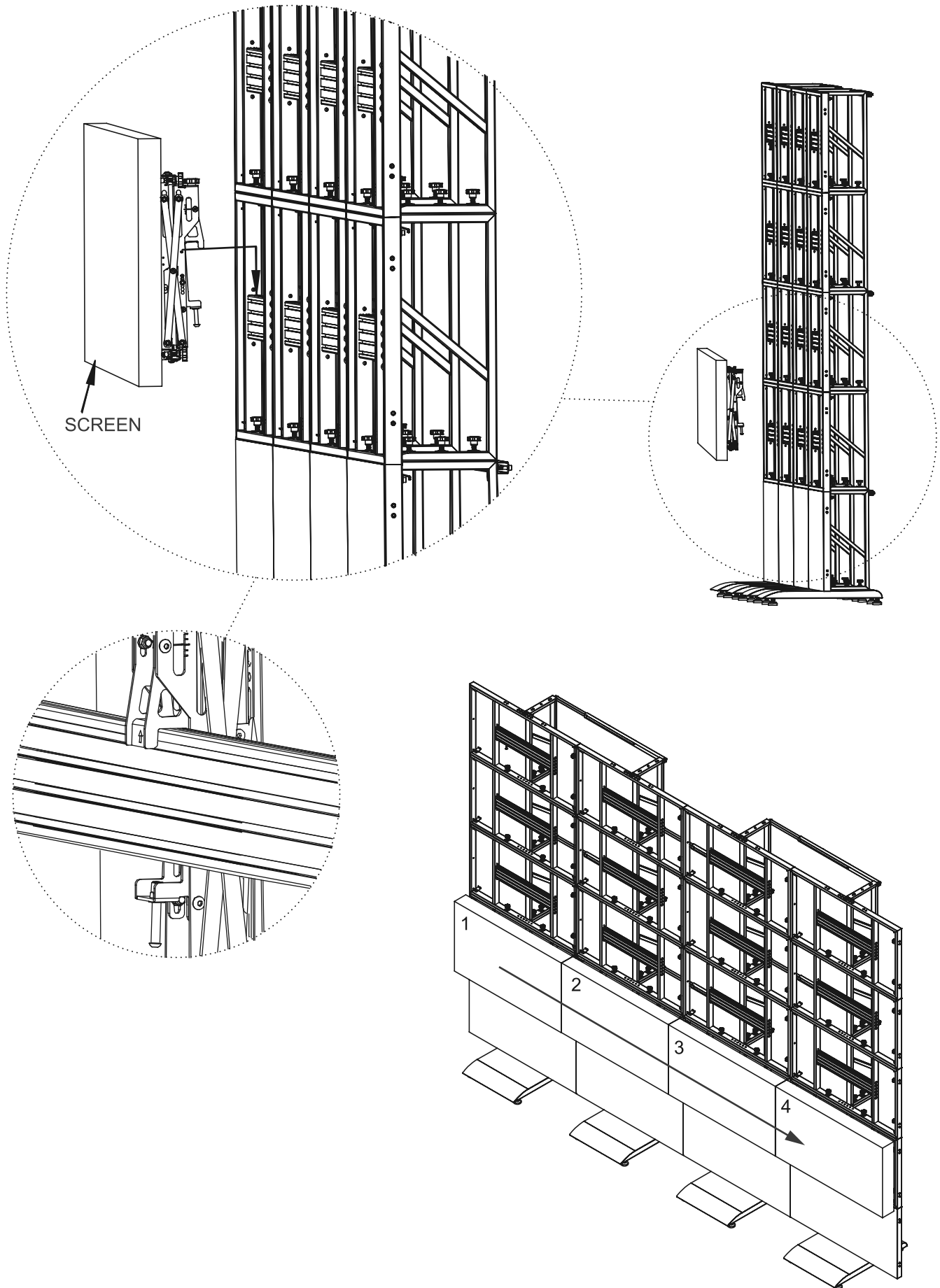


- iii. Close the interface arms.



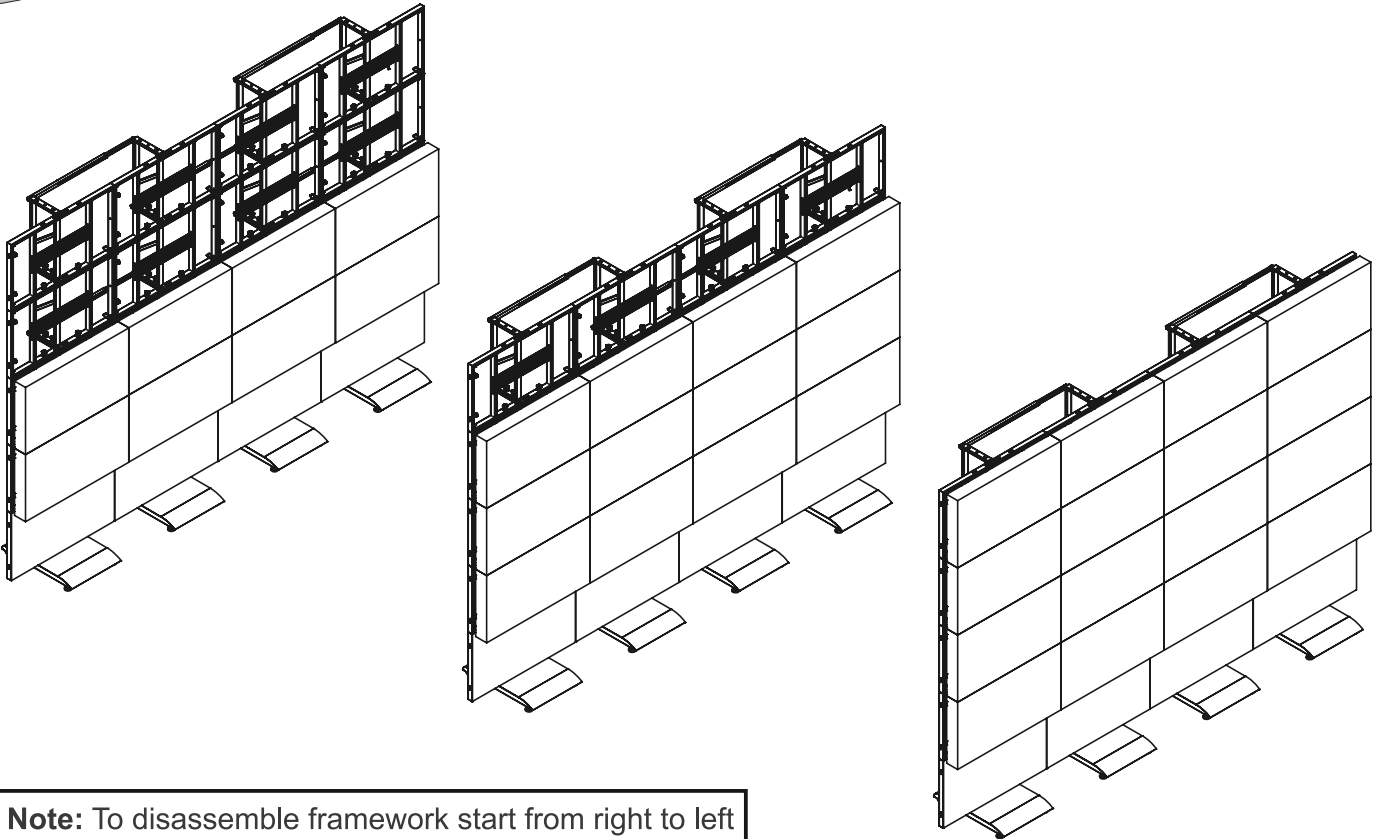
## Hooking on the Screens

Mount screens by hooking the interface arms onto the rail.  
Hook on the first row of screens. Start from left to right.



9  
CONT...

Hook on the next row of screens and Repeat until all screens are mounted.



**Note:** To disassemble framework start from right to left

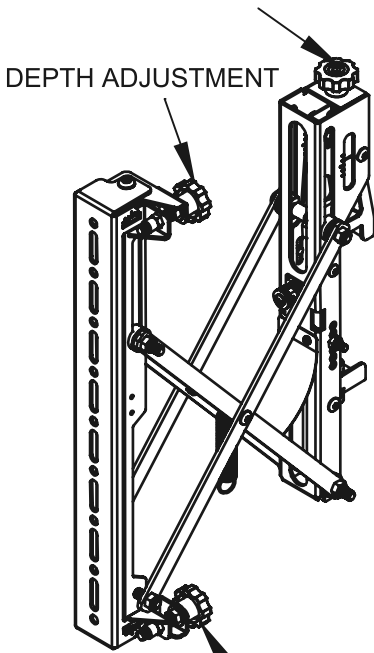
10

### Adjust to Align the Screens for a Seamless Videowall

Adjust the top row first and work down row by row.

HEIGHT ADJUSTMENT

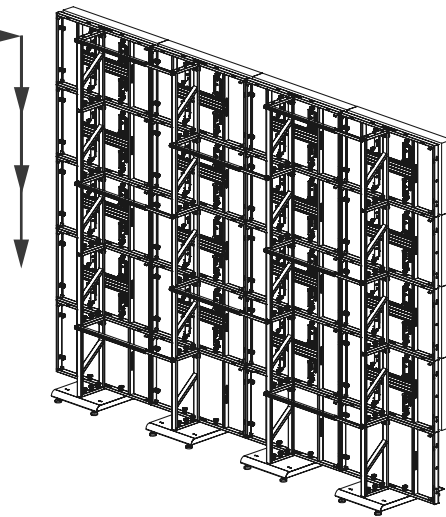
DEPTH ADJUSTMENT



DEPTH ADJUSTMENT

Use the depth adjustment knobs to ensure that each corner of the screen is aligned evenly.

Micro-adjust top row first



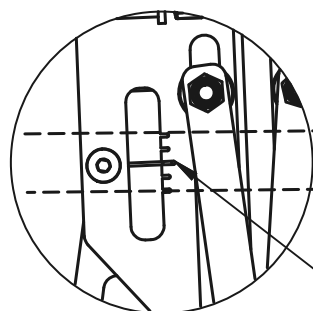
Total Height Adjustment is +/-10mm

Total Depth Adjustment is +/- 7mm

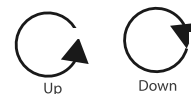
**Note:** Light pressure in the desired direction of travel will assist in the adjustment of knobs when using heavier screens

**Note:** Adjustment knobs are also compatible with a 6mm allen key (not supplied).

Using a level, align the flat screen parallel to the floor using the height adjustment knobs.

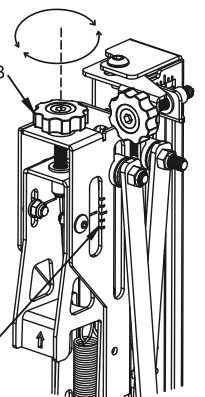


HEIGHT ADJUSTMENT KNOB



Do not adjust height past the min and max guide lines

Adjustment guides to help with accurate screen alignment

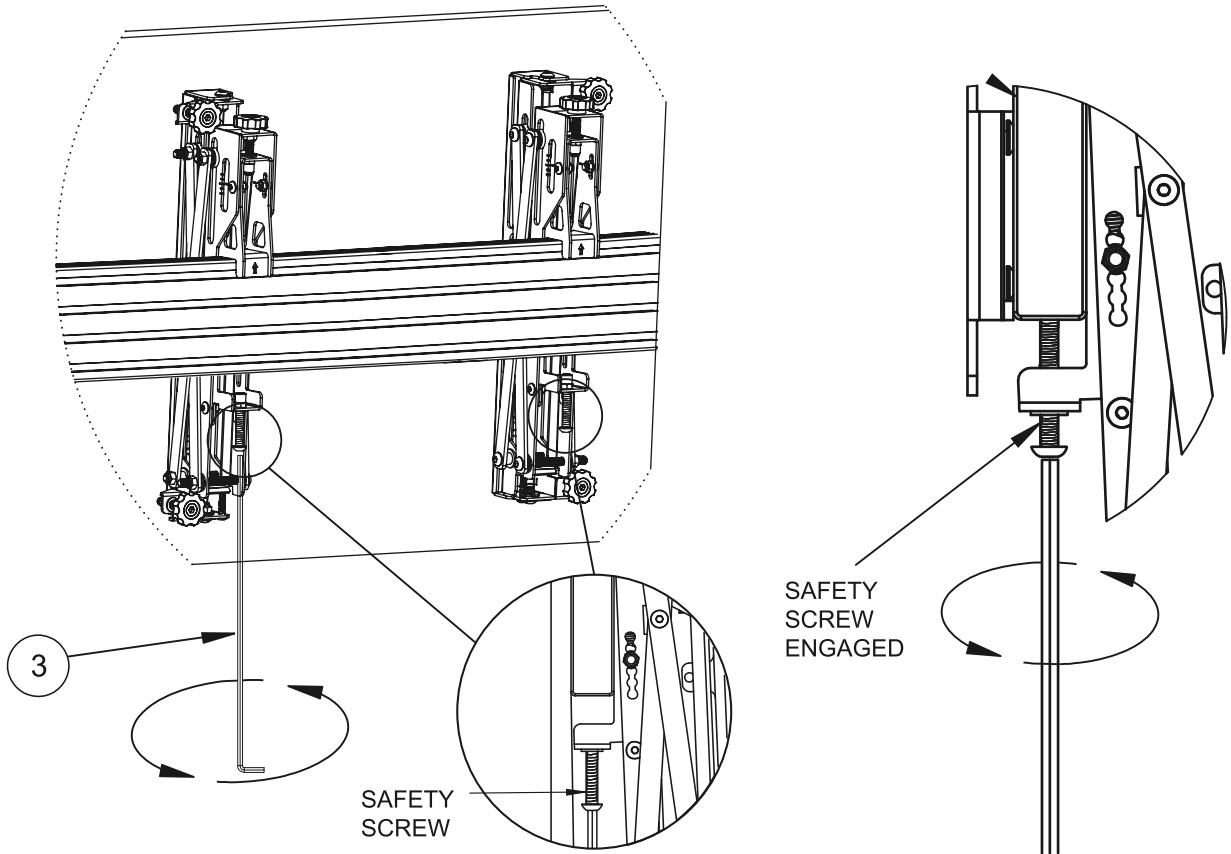




1 1

## Secure Screens to Stand

Secure all interface arms onto rails by tightening the safety screws.



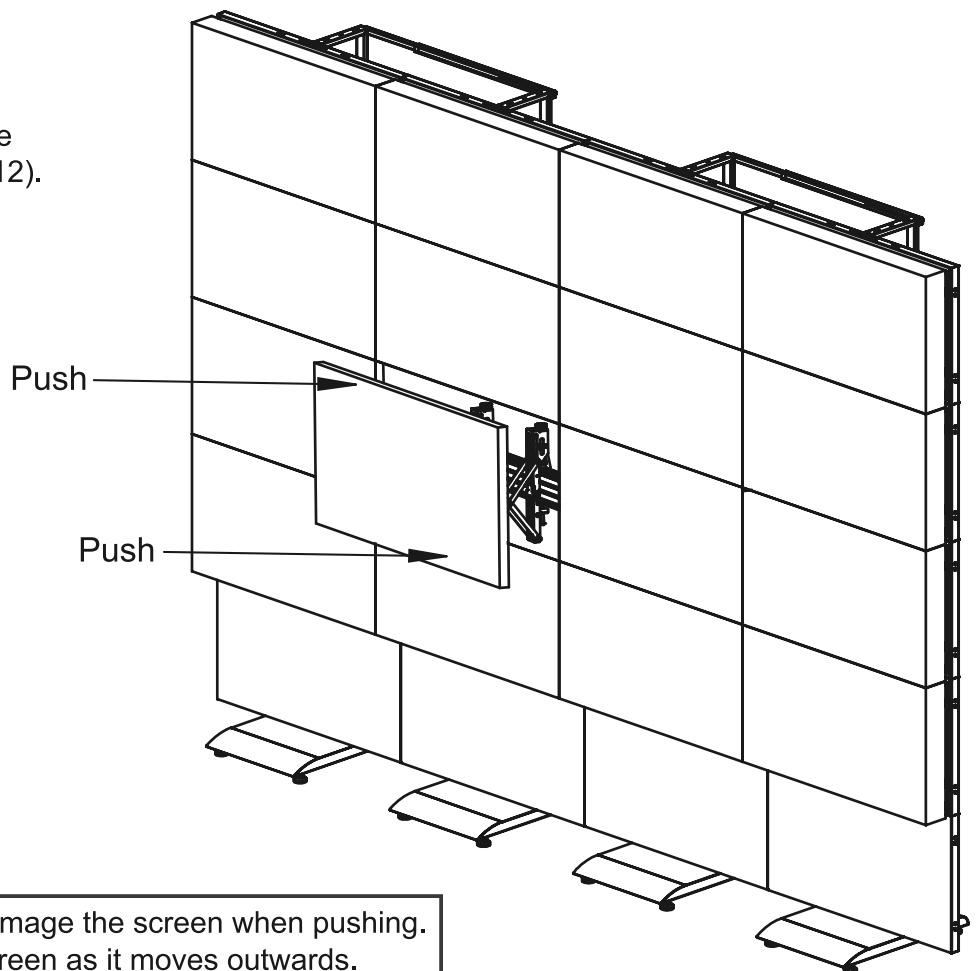
1 2

## Servicing the flat screens

Ensure the locking screw is in the unlocked position (refer to Step 12).

Push central at the top and bottom of the screen on the bezel to release the screen.

When serviced push screen back and click into place.



**Important:** Be careful not to damage the screen when pushing. Keep hold of the screen as it moves outwards.

# 13

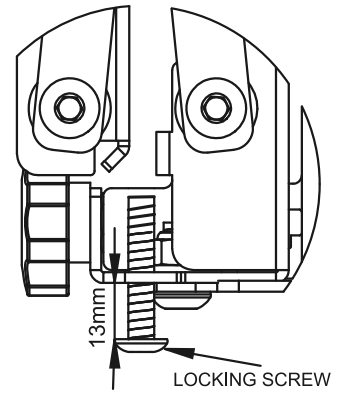
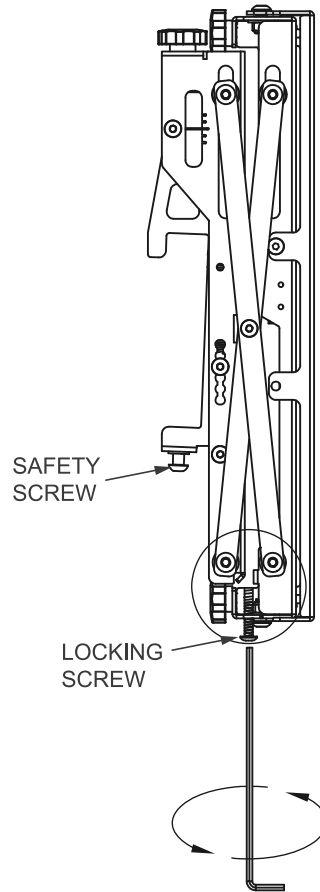
## Disabling the pop-out function (optional)

To prevent the mount from being able to pop-out, tighten the locking screw at the bottom of both the interface arms.

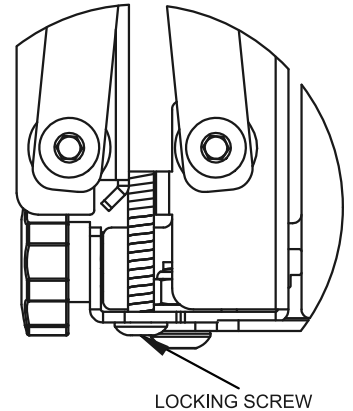
**Note:** The pop-out prevention locking screws must be wound in fully when the interface arms are closed to prevent them from popping out.

**Important:** Do not insert the locking screws into the locked position when the interface arms are popped out.

A locking screw is featured on each arm



Unlocked position



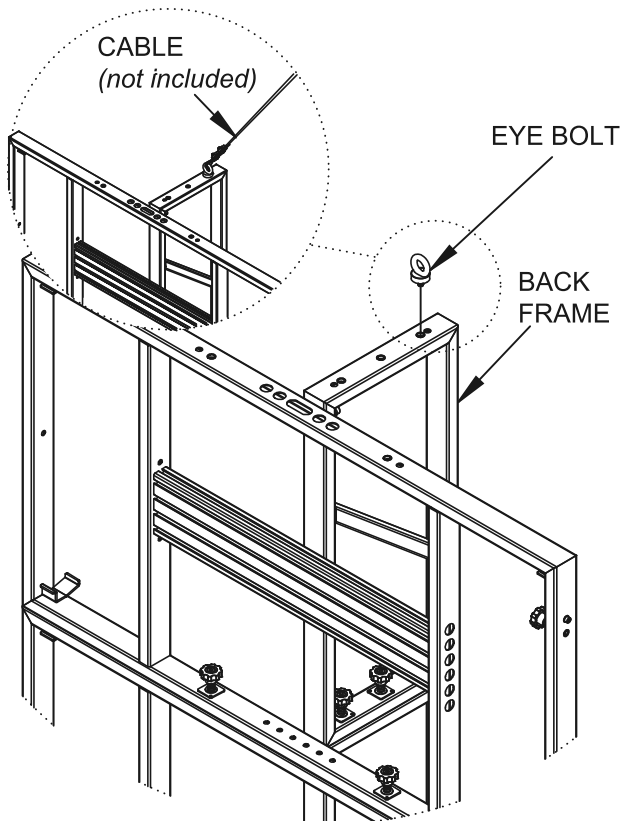
Locked position

## ACCESSORIES

### BT8350-EB

#### Eye Bolt (not essential)

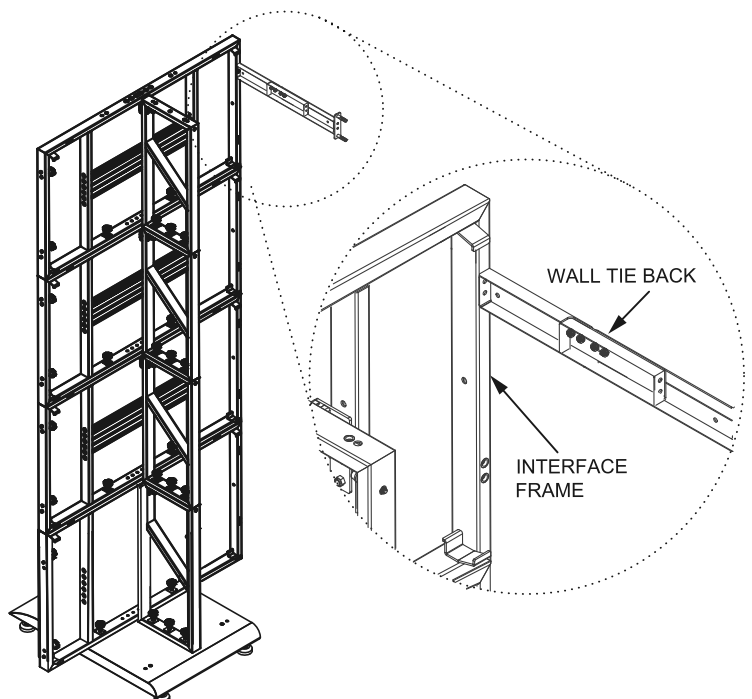
Used to help tie framework back to walls.



### BT8380-WTB

#### Wall Tie Back (not essential)

Used to help tie framework back to walls.

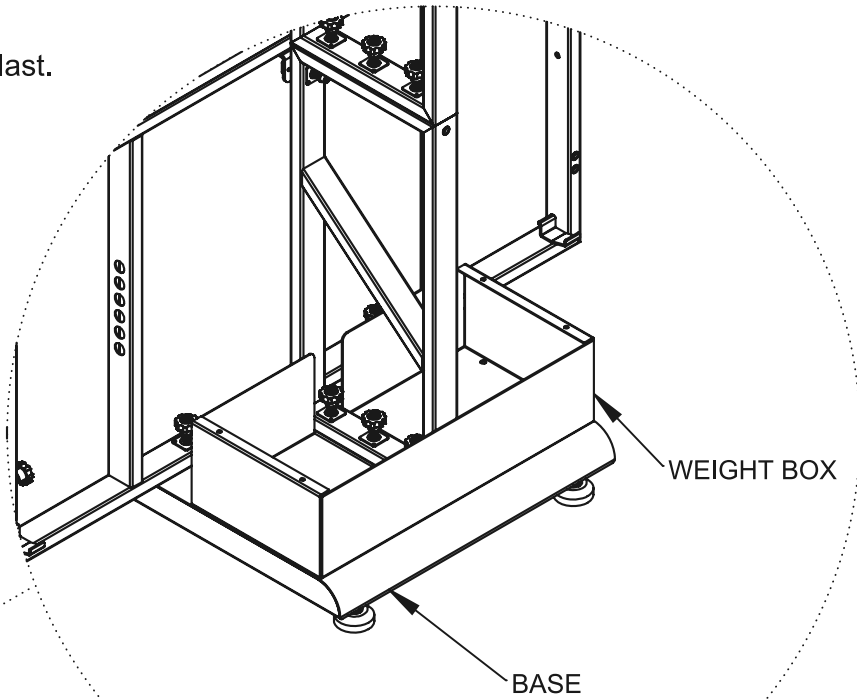
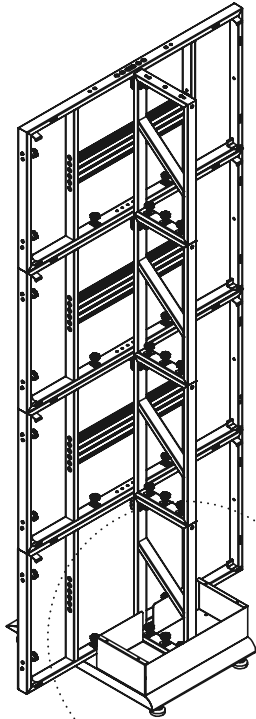


# ACCESSORIES

## BT8350-WB

### Weight Box (if required)

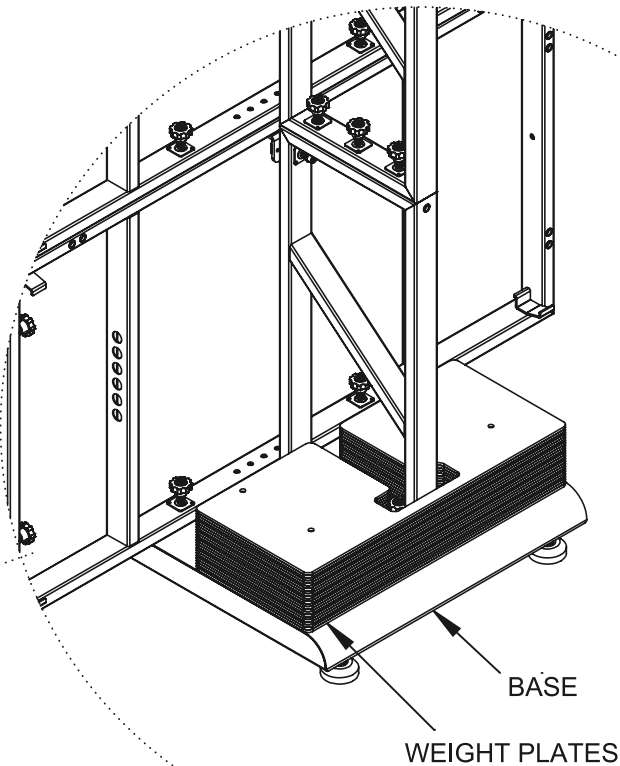
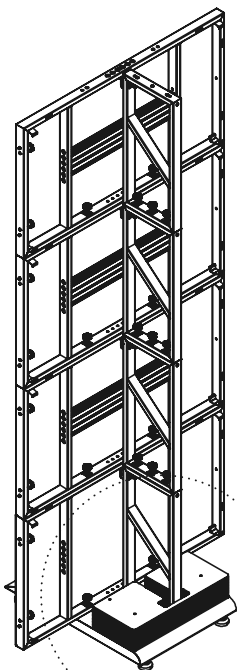
Used to store users own weight for ballast.



## BT8350-WP

### Weight Plates (if required)

Used for ballast.



Weight Plates: 5kg per plate



[www.btechavmounts.com](http://www.btechavmounts.com)

## **B-TECH AV MOUNTS**

### **HEAD OFFICE**

#### **B-Tech International Limited**

Bennett House, Long March, Daventry, Northants., NN11 4NR, UK

Email: [info@btechavmounts.com](mailto:info@btechavmounts.com)

©2018 B-Tech International Design & Manufacturing Ltd. All rights reserved.

B-Tech AV Mounts is a division of B-Tech International Design & Manufacturing Ltd.

B-Tech, Better By Design & System 2 are registered trademarks of B-Tech International Design & Manufacturing Ltd.

All other brands and product names are trademarks of their respective owners.

Photographs are for illustrative purposes only. E&OE.

AMA-BT8351-V1.2-0618-110 MADE IN VIETNAM