

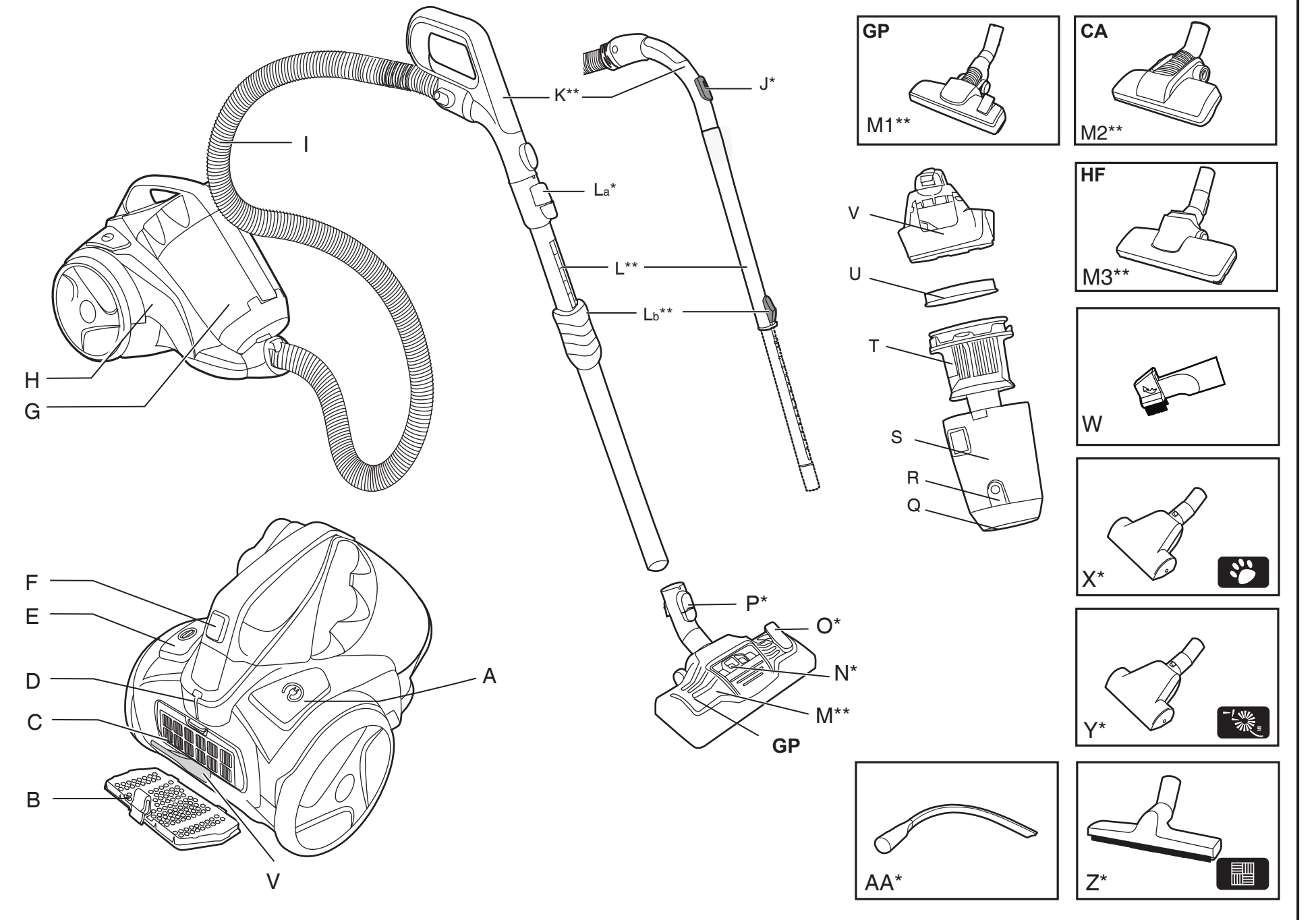


# HOOVER



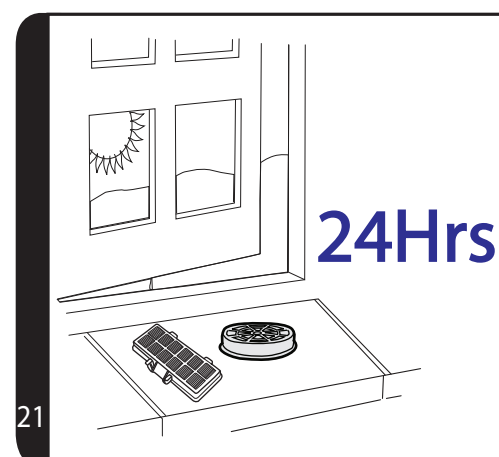
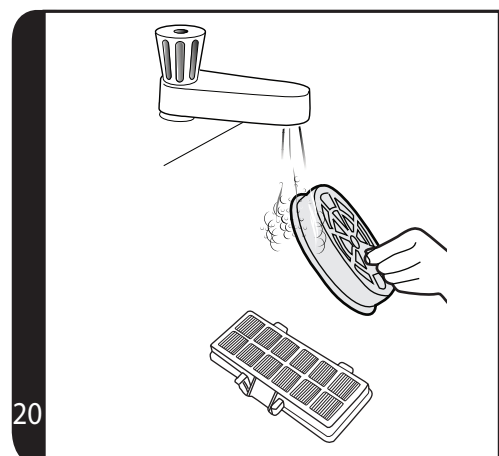
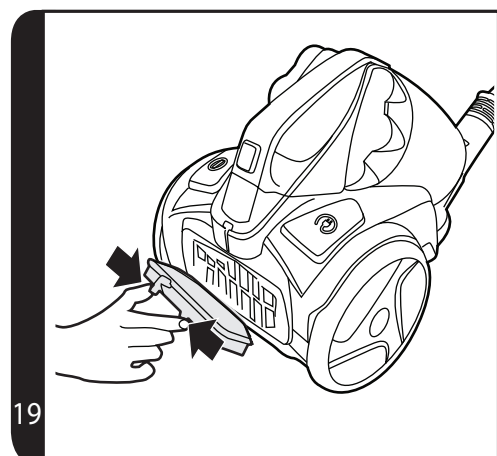
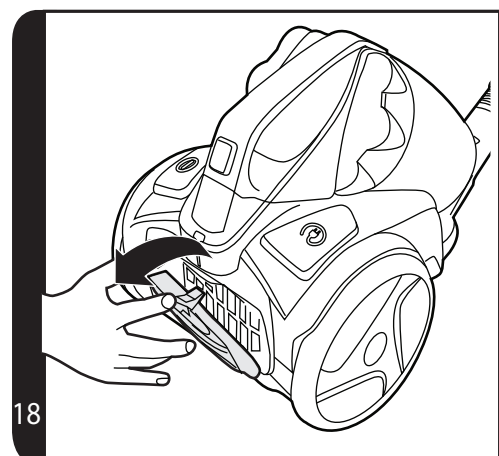
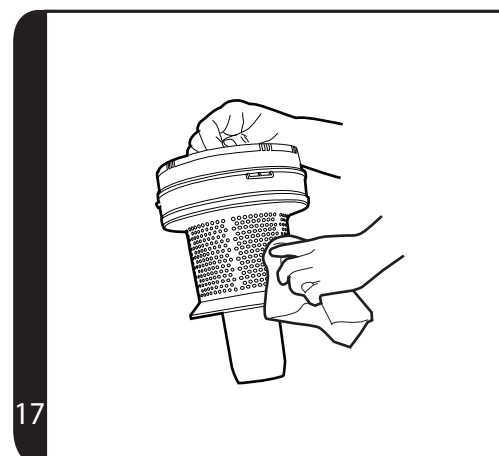
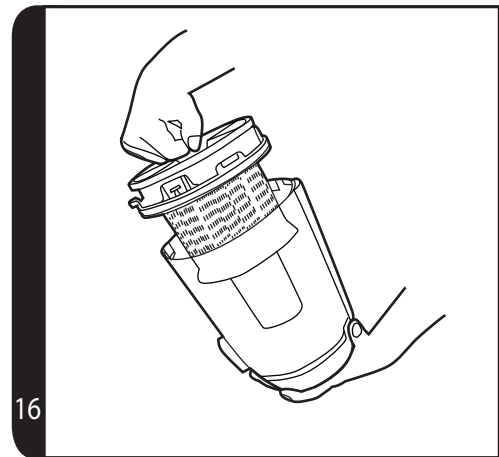
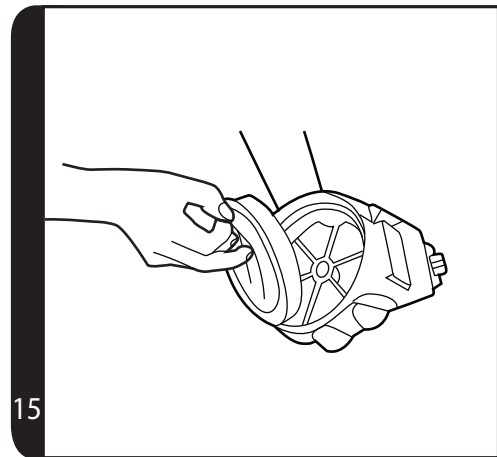
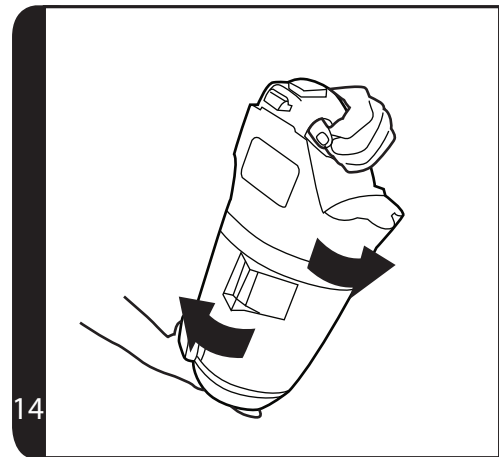
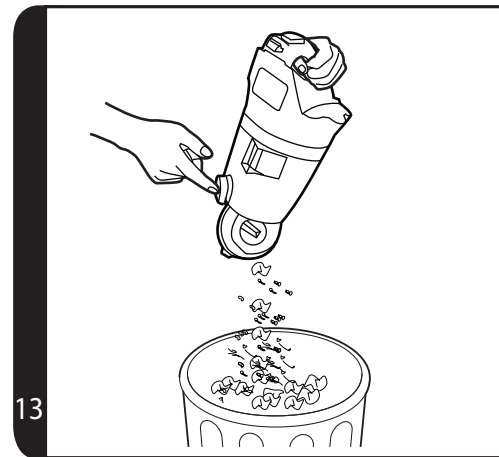
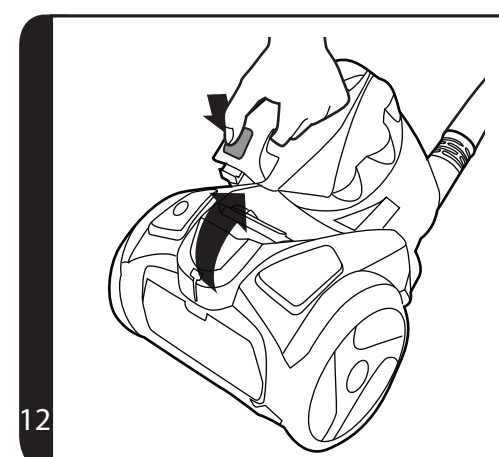
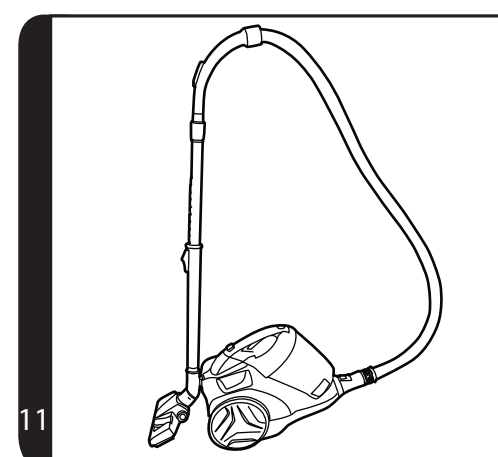
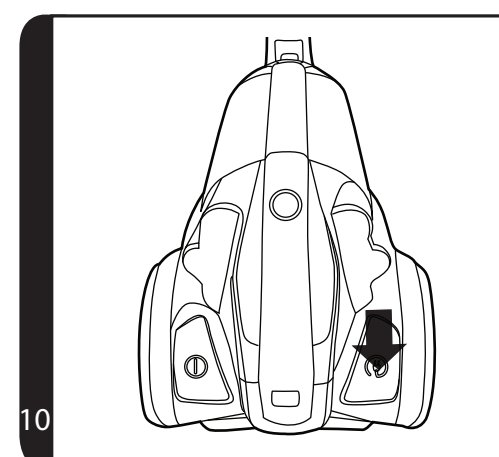
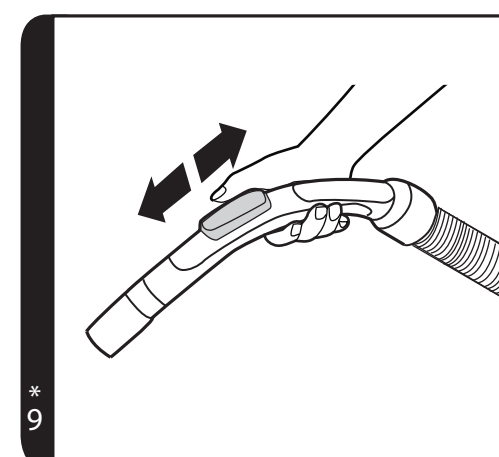
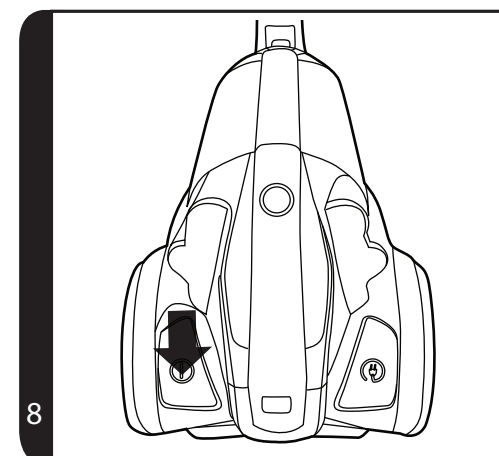
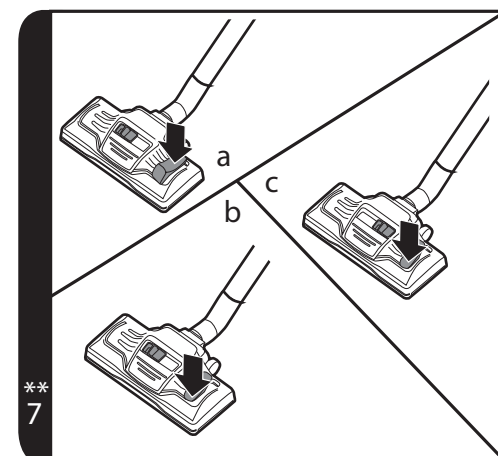
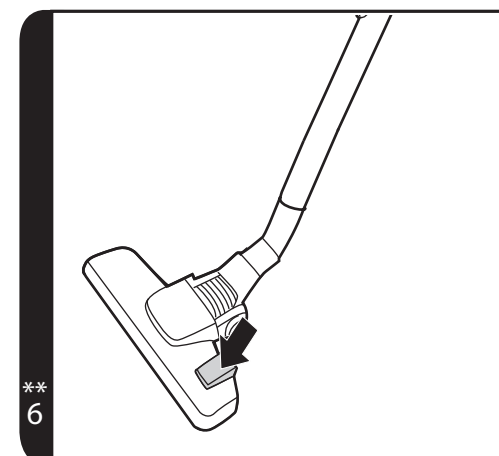
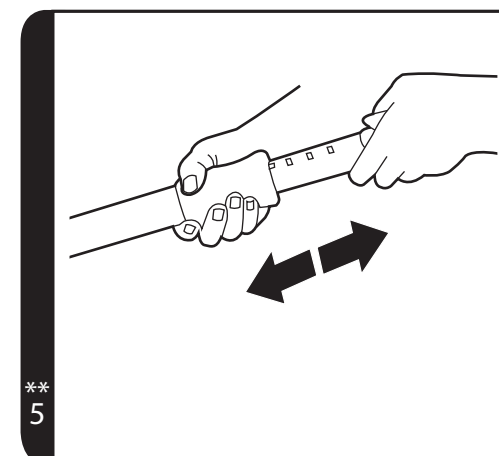
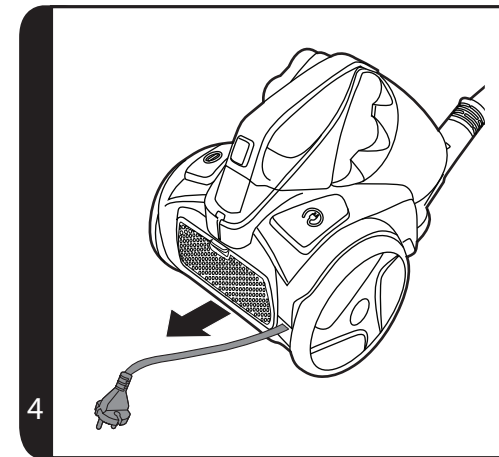
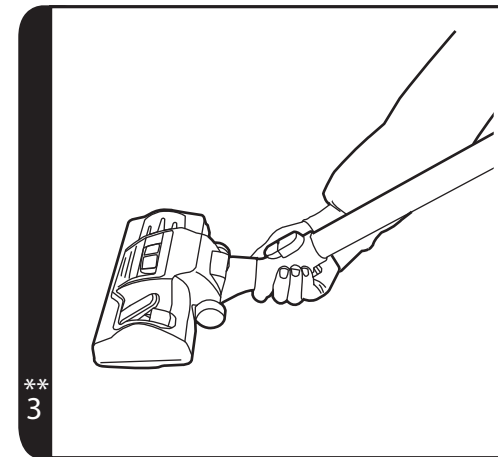
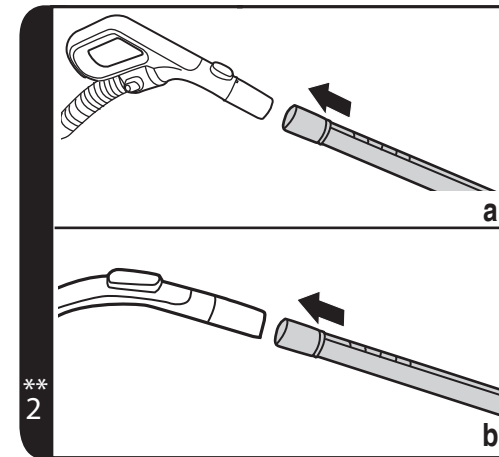
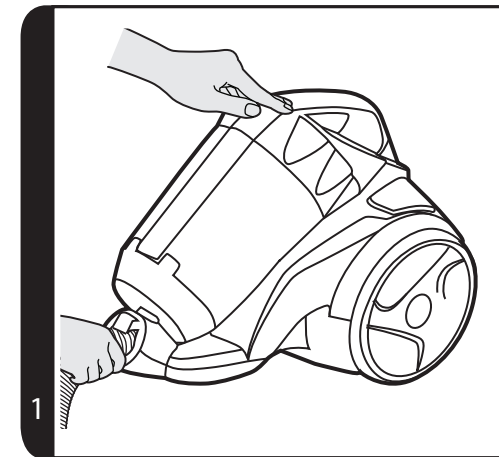
USER MANUAL (GB) .....P 01  
MANUEL D'UTILISATION (FR) .....P 04  
MANUALE ISTRUZIONI (IT) .....P 08

PRINTED IN P.R.C.  
48025787-2



\* Certain models only

\*\* Certain models only, nozzles may vary according to model



## INSTRUCTIONS FOR SAFE USE

This appliance should only be used for domestic cleaning, as described in this user guide. Please ensure that this guide is fully understood before operating the appliance.

Do not leave the appliance plugged in. Always switch off and remove the plug from the socket after use, or before cleaning the appliance or any maintenance task.

This appliance can be used by children aged from 8 years and above and persons with reduced physical, sensory or mental capabilities or lack of experience and knowledge if they have been given supervision or instruction concerning use of the appliance in a safe way and understand the hazards involved. Children shall not play with the appliance. Cleaning and user maintenance shall not be made by children without supervision.

If the power cord is damaged stop using the appliance immediately. To avoid a safety hazard, an authorised HOOVER service engineer must replace the power cord.

Keep hands, feet, loose clothing and hair away from rotating brushes.

Use only attachments, consumables or spares recommended or supplied by HOOVER.

**Static electricity:** Some carpets can cause a small build up of static electricity. Any static discharge is not hazardous to health.

Do not use your appliance out of doors or on any wet surface or for wet pick up.

Do not pick up hard or sharp objects, matches, hot ashes, cigarette ends or other similar items.

Do not spray with or pick up flammable liquids, cleaning fluids, aerosols or their vapours.

Do not run over the power cord when using your appliance or remove the plug by pulling on the power cord.

Do not continue to use your appliance if it appears faulty.

**HOOVER service:** To ensure the continued safe and efficient operation of this appliance we recommend that any servicing or repairs are only carried out by an authorised HOOVER service engineer.

Do not stand on or wrap the cord around arms or legs when using your appliance.

Do not use the appliance to clean animals or people.

Do not position the appliance above you when cleaning the stairs.

### The Environment

The symbol on this appliance indicates that this appliance may not be treated as household waste. Instead it must be handed over to the applicable collection point for the recycling of electrical and electronic equipment. Disposal must be carried out in accordance with local environmental regulations for waste disposal. For more detailed information about treatment, recovery and recycling of this appliance, please contact your local city office, your household and waste disposal service or the shop where you purchased the appliance.



**CE** This appliance complies with the European Directives 2014/35/EU, 2014/30/EU and 2011/65/EU.

CANDY HOOVER GROUP S.r.l. Via Privata Eden Fumagalli, 20861 Brugherio (MB) Italy



## GETTING TO KNOW YOUR CLEANER

- |  |  |
|--|--|
| A. Cord Reel Pedal                     | N. Carpet and Floor Nozzle Slider*     |
| B. Exhaust Filter Cover                | O. Floor Type Selector Pedal*          |
| C. Exhaust Filter                      | P. Carpet and Floor Nozzle Latch*      |
| D. Parking Slot                        | Q. Dust container flap                 |
| E. On/Off Pedal                        | R. Dust container flap release button  |
| F. Dust Bin Release Button             | S. Dust Container                      |
| G. Dust Container Assembly             | T. Multi-cyclone separation unit       |
| H. Main Body                           | U. Pre-motor filter                    |
| I. Hose                                | V. Dust container cover                |
| J. Suction Regulator*                  | W. 2 in 1 Accessory                    |
| K. Hose Handle**                       | X. Pet Hair Remover Mini Turbo Nozzle* |
| L. Telescopic Tube**                   | Y. Allergen Remover Mini Turbo Nozzle* |
| La. Telescopic Tube Latch*             | Z. Parquet Nozzle*                     |
| Lb. Telescopic Tube Adjuster**         | AA. Long Flexible Crevice Tool*        |
| M & M1. Carpet and Floor Nozzle (Gp)** |  |
| M2. Carpet Nozzle (Ca)*                |  |
| M3. Hard Floor Nozzle (Hf)*            |  |

## ASSEMBLING YOUR CLEANER

Remove all components from the packaging.

1. Connect the hose to the cleaner main body, ensuring it clips and locks into position. To release: simply press the button on the hose end and pull. [1]
2. Connect the hose handle\*\* to the upper end of the extension tube [2], or accessories if required.
3. Connect the lower end of the extension tube to the Carpet & Floor nozzle\*\* [3] or accessories if required.

## USING YOUR CLEANER

1. Extract power cord and plug it into the power supply. Do not pull the cord beyond the red marker. [4]
2. Adjust the telescopic tube to the desired height by moving the telescopic tube adjuster\*\* up and raise or lower the handle to the most comfortable cleaning position. [5]
3. Carpet and Floor Nozzle\*\* - Press the floor type selector on the nozzle [6] to select the ideal cleaning mode for the floor type.

**Hard Floor** – Brushes are lowered to protect the floor.

**Carpet** – Brushes are raised for deeper cleaning.

\*Certain Models Only

\*\* Certain models only, nozzles may vary according to model

### Carpet & Floor Nozzle\*\*: [7]

- **Hard floors Cleaning:** Press the pedal on the nozzle on Hard Floor mode and adjust the slider on the nozzle on ALL FLOORS. In this position brushes, wheels and wiper blade are lowered to protect hard floors. [7a]
  - **Standard Carpet & Rugs Cleaning:** Press the pedal on the nozzle on Carpet mode and adjust the slider on the nozzle on ALL FLOORS. In this position brushes and wiper blade are raised while wheels are lowered to allow a perfect ease of movement on such surfaces. [7b]
  - **Deep Carpet cleaning:** Press the pedal on the nozzle on Carpet mode and adjust the slider on the nozzle on DEEP CARPET CLEANING. In this position brushes, wheels and wiper blade are raised for a deeper cleaning of your carpet. [7c]  
**WARNING: It is recommended to avoid potential scratching of wooden floors that the pedal is not set on Hard floor mode and the slider on Deep carpet cleaning.**
4. Switch the cleaner on by pressing the on/off Pedal on the cleaner main body. [8]
  5. Adjust the suction regulator on the handle to the desired level. [9\*]
  6. Switch off at the end of use by pressing the on/off Pedal. Unplug and press the cord reel pedal to wind the power cord back into the cleaner. [10]

### PARKING AND STORAGE SECTION

The tube and the nozzle can be parked on the back of the cleaner for storage or temporary storage while in use. [11]

## ACCESSORIES AND NOZZLES

To obtain the best performance and efficiency it is recommended that the correct nozzles are used for the main cleaning operations. These nozzles are indicated in the diagrams by the letters **GP**, **HF** or **CA**.

A nozzle type **GP** can be used to clean both carpet and hard floor.

A nozzle type **HF** is suitable for use only on hard floor.

A nozzle of type **CA** is suitable for use only on carpet.

The other nozzles are accessories for specialist cleaning tasks and are recommended for occasional use only.

All accessories can be fitted to the end of the hose handle or to the end of the telescopic tube.

**2 in 1 tool** – Combines several functions into one tool: [W]

**Dusting Brush** – For bookshelves, frames, keyboards and other delicate areas.

**Crevice Tool** – For corners and hard to reach areas.

**Parquet Nozzle\*** – For parquet floors and other delicate floors. [Z]

**Pet Hair Remover Mini Turbo Nozzle\*** - Use the mini turbo nozzle on stairs or for deep cleaning on textile surfaces and other hard to clean areas. Particularly suitable for pet hairs removal. [X]

**Allergen Remover Mini Turbo Nozzle\*** – Use the mini turbo nozzle on stairs or for deep cleaning on textile surfaces and other hard to clean areas. Particularly suitable for allergen removal. [Y]

**Long Flexible Crevice Tool \*** – Use the long flexible crevice tool for cleaning the difficult-to-reach areas in your car and home. [AA]

**IMPORTANT:** Do not use the Mini Turbo nozzles on rugs with long fringes, animal hides and carpet pile deeper than 15mm. **Do not keep the nozzle stationary while the brush is rotating.**

## CLEANER MAINTENANCE

### Emptying the Dust Container

When the dust reaches the max level indicator in the container empty the dust container.

**IMPORTANT:** To maintain optimum performance do not allow the dust to sit higher than the max level.

1. Turn off the cleaner pressing on/off pedal and unplug the power cable. **[8]**
2. Press the dust container release button and remove the dust container assembly from the cleaner. **[12]**
3. Hold the dust container with one hand and press the dust container empty button to empty the dust. **[13]**
4. Close the dust container flap and refit to the main body.

### Cleaning the washable filters

The cleaner is fitted with pre-motor filter and exhaust filter. To maintain optimum cleaning performance, regularly remove the filters and tap against the side of the dust container to release dust. The filters should be washed every 5 cassette empties or when the filters have excessive dust level.

**IMPORTANT:** All bagless cleaners require regular filter cleaning. Failure to clean your filters may result in air blockage, overheating and product failure. This may invalidate your guarantee.

**IMPORTANT:** Regularly check and maintain the filters.

**IMPORTANT:** Always ensure the the filters are fully dry before use.

#### To access the pre-motor filter:

1. Remove the dust container from the cleaner by pressing the dust container release button. **[12]**
2. Hold the dust container with one hand and remove the dust container cover by rotating anti-clockwise with the other hand. **[14]**
3. Remove the pre-motor filter assembly from dust container assembly. **[15]**
4. Gently tap and wash the pre-motor filter. Do not use hot water or detergents. Remove excess water from the filter and leave to dry fully before re-using. **[20,21]**
5. Reassemble the pre-motor filter assembly once fully dry and refit to the cleaner.

#### To access the exhaust filter:

1. Unclip the exhaust filter cover from the rear of the cleaner main body. **[18]**
2. Remove the exhaust filter from the rear of the cleaner. **[19]**
3. Gently tap and wash the filter using warm water. Do not use hot water or detergents. Remove excess water from the filter and leave to dry fully before re-using. **[20,21]**
4. Refit the exhaust filter to the rear of the cleaner once fully dry and refit the exhaust filter cover.

**IMPORTANT:** Do not use the product without the filter pack fitted.

### Cleaning the dust container / separation unit

This cleaner uses a separation system unique to Hoover. If necessary, the separation unit can be disassembled from the dust container and cleaned.

1. Press the dust container release button and remove the dust container assembly from the cleaner. **[12]**
2. Hold the dust container with one hand and remove the dust container cover by rotating anti-clockwise with the other hand. **[14]**
3. Remove pre-motor filter assembly from the dust container assembly. And then remove the multi-cyclone separation unit from the dust container by pulling it. **[15,16]**
4. If necessary, use a cloth to remove excessive dust from the multi-cyclone separation unit surface. **[17]**
5. If necessary rinse the dust container with lukewarm water. Wash internal surfaces of the dust container with water only. DO NOT use soap detergents to wash the internals of the dust container.
6. Reassemble the internal and the pre-motor filter to the dust container.
7. Reassemble the dust container cover to the dust container. Refit the dust container to the cleaner main body.

### Removing a blockage

1. Check if the dust container is full. If so refer to 'Emptying the dust container'.
2. If the dust container is empty but suction is still low:
  - A. Do the filters need cleaning? If so refer to 'Cleaning the washable filters'.
  - B. Check if there is any other blockage in the system - Use a rod or pole to remove any blockage from the extension tube or flexible hose.
  - C. Check if pre-motor filter is fitted.
  - D. Check if the separation unit needs to be cleaned. Refer to 'Cleaning the separation unit'.

## USER CHECKLIST

Should you have a problem with the product, complete this simple user checklist before calling your local Hoover service.

- Is there a working electricity supply to the cleaner? Please check with another electrical appliance.
- Is the dust container over-filled? Please refer to 'Cleaner Maintenance'.
- Is the filter blocked? Please refer to 'Cleaner Maintenance'.
- Is the hose or nozzle blocked? Please refer to removing a blockage from the system'.
- Has the cleaner overheated? If so, it will take approximately 30 minutes to automatically reset.

## IMPORTANT INFORMATION

### Hoover spares and Consumables

Always replace parts with genuine Hoover spares. These are available from your local Hoover dealer or direct from Hoover. When ordering parts always quote your model number.

### Hoover Service

Should you require service at any time, please contact your local Hoover Service Office.

### Quality

Hoover's factories have been independently assessed for quality. Our products are made using a quality system which meets the requirements of ISO 9001.

### Your Guarantee

The guarantee conditions for this appliance are as defined by our representative in the country in which it is sold. Details regarding these conditions can be obtained from the dealer from whom the appliance was purchased. The bill of sale or receipt must be produced when making any claim under the terms of this guarantee.

Subject to change without notice.

## INSTRUCTIONS DE SÉCURITÉ D'UTILISATION

Cet appareil ne doit être utilisé que pour un nettoyage domestique, conformément à ce guide d'utilisation. Veuillez vous assurer que ces instructions sont parfaitement comprises avant d'utiliser l'appareil.

Ne laissez pas l'appareil branché. Eteignez et débranchez toujours l'appareil après l'avoir utilisé, ou avant de le nettoyer ou de procéder à son entretien.

Cet appareil peut être utilisé par des enfants âgés d'au moins 8 ans et par des personnes ayant des capacités physiques, sensorielles ou mentales réduites, ou n'ayant pas d'expérience ou de connaissances en la matière. Ces dernières doivent recevoir des instructions sur l'utilisation de l'appareil en toute sécurité et comprendre les risques impliqués. Les enfants ne doivent pas jouer avec l'appareil. Le nettoyage et l'entretien ne devraient pas être effectués par des enfants sans supervision.

Si le cordon d'alimentation est endommagé, arrêtez immédiatement d'utiliser l'appareil. Pour éviter les risques d'accident, un réparateur HOOVER agréé doit remplacer le cordon d'alimentation.

Maintenez les mains, pieds, vêtements et cheveux à distance des brosses rotatives.

N'utilisez que les accessoires, consommables ou pièces détachées recommandés ou fournis par HOOVER.

**Electricité statique :** Certains tapis peuvent entraîner une petite accumulation d'électricité statique. Les décharges d'électricité statique ne sont pas dangereuses pour la santé.

N'utilisez pas votre appareil à l'extérieur, sur une surface

humide ou pour un ramassage humide.

N'aspirez pas d'objets durs ou tranchants, d'allumettes, de cendres chaudes, de mégots de cigarettes ou d'autres objets similaires.

Ne pulvérisez ou n'aspirez pas des liquides inflammables, des produits d'entretien liquides, des aérosols ou leurs vapeurs.

Ne marchez pas sur le cordon d'alimentation lorsque vous utilisez votre appareil et ne le débranchez pas de la prise en tirant sur le cordon d'alimentation.

Ne continuez pas à utiliser votre appareil s'il semble défectueux.

**Service HOOVER :** Pour assurer l'utilisation sûre et efficace de cet appareil, nous recommandons de n'en confier l'entretien ou les réparations qu'à un réparateur HOOVER agréé.

Ne marchez pas sur le cordon d'alimentation ou ne l'enroulez pas sur vos bras ou vos jambes quand vous utilisez l'appareil.

N'utilisez pas l'appareil sur des personnes ou des animaux.

Lors du nettoyage des escaliers, ne placez pas l'appareil dans une position plus haute que la vôtre.

#### Environnement

Le symbole figurant sur cet appareil indique qu'il ne peut pas être considéré comme une ordures ménagères. Vous devez le déposer dans un centre de recyclage des déchets électriques et électroniques. La déposition doit être effectuée conformément à la réglementation locale en matière de déchets. Pour obtenir des compléments d'information sur le traitement, la récupération et le recyclage de cet appareil, veuillez contacter votre municipalité, le service local d'élimination des ordures ménagères ou le revendeur de l'appareil.



**CE** Cet appareil est conforme aux Directives européennes 2014/35/EU, 2014/30/EU et 2011/65/UE.

CANDY HOOVER GROUP S.r.l. Via Privata Eden Fumagalli, 20861 Brugherio (MB) Italy

### PREMIÈRE UTILISATION

- |  |  |
|--|--|
| A. Pédale d'enroulement du cordon              | N. Curseur de brosse moquette et sol*  |
| B. Couvercle du filtre d'évacuation            | O. Sélecteur de type de sol*   |
| C. Filtre d'évacuation                         | P. Verrou de brosse moquette et sol*   |
| D. Fente de rangement                          | Q. Volet du bac à poussière  |
| E. Bouton marche/arrêt                         | R. Bouton de déverrouillage du volet du bac à poussière  |
| F. Bouton de verrouillage du bac à poussière   | S. Bac à poussière   |
| G. Ensemble de bac à poussière                 | T. Unité de séparation multi-cyclone   |
| H. Corps principal                             | U. Filtre de protection du moteur  |
| I. Flexible                                    | V. Couvercle du bac à poussière  |
| J. Variateur de puissance*                     | W. Accessoire 2-en-1   |
| K. Poignée du flexible**                       | X. Mini turbobrosse pour élimination des poils d'animaux domestiques*  |
| L. Tube télescopique**                         | Y. Mini turbobrosse pour élimination des poils d'animaux domestiques, limitant la prolifération des bactéries* |
| La. Verrou de tube télescopique*               | Z. Brosse parquet*   |
| Lb. Bouton de réglage du tube télescopique*    | AA. Suceur flexible coins profonds*  |
| M & M1. Brosse pour moquette et sol dur (Gp)** |  |
| M2. Brosse pour moquette (Ca)*                 |  |
| M3. Brosse pour sols durs (Hf)*                |  |

### MONTAGE DE VOTRE ASPIRATEUR

Sortez tous les composants de l'emballage.

1. Raccordez le flexible à l'aspirateur en veillant à ce qu'il se fixe bien et se verrouille correctement. Pour le détacher : il suffit d'appuyer sur le bouton du tuyau et de tirer. [1]
2. Connectez la poignée du tuyau à l'extrémité supérieure du tube de rallonge [2], ou aux accessoires, si nécessaire.
3. Connectez l'extrémité inférieure du tube de rallonge à la brosse combinée sols durs et moquettes\*\* [3] ou aux accessoires, si nécessaire.

### UTILISATION DE L'ASPIRATEUR

1. Sortez le cordon d'alimentation et branchez-le sur la prise d'alimentation. Ne sortez pas le cordon au-delà du repère rouge. [4]
2. Régler le tube télescopique à la hauteur désirée en déplaçant le régleur tube télescopique\*\* en l'élevant ou abaissant la poignée à la position de nettoyage la plus confortable. [5]
3. Brosse pour moquette et sol dur\*\* - Appuyez sur la pédale de sélection du type de sol situé sur la brosse [6] pour sélectionner le mode d'aspiration idéal pour le type de sol.
  - Sol dur** – Les brosses sont baissées pour protéger le sol.
  - Moquette** – Des brosses sont formulées pour un nettoyage en profondeur.

**Brosse moquette et sol\*\*:** [7]

- **Dépoussiérage sur sols durs** : Appuyez sur la pédale de la brosse pour sélectionner le mode Sols Durs et ajustez le curseur sur la brosse sur TOUS LES SOLS. Dans cette position, les brosses, les roulettes et le balai d'essuie-glace sont baissés pour protéger le sol. [7a]
  - **Nettoyage standard de moquette et tapis** : Appuyez sur la pédale de la brosse pour sélectionner le mode Sols Durs et ajustez le curseur de la brosse sur TOUS LES SOLS. Dans cette position, les brosses et le balai d'essuie-glace sont soulevés pendant que les roulettes sont baissées pour favoriser une parfaite liberté de mouvement. [7b]
  - **Nettoyage en profondeur de moquette** : Appuyez sur la pédale de la brosse pour sélectionner le mode Moquette et ajustez le curseur de la brosse sur NETTOYAGE EN PROFONDEUR DE MOQUETTE. Dans cette position, les roulettes et le balai d'essuie-glace sont soulevés pour un nettoyage en profondeur de votre moquette. [7c]
- MISE EN GARDE : Il est recommandé d'éviter d'éventuelles rayures du parquet sur lequel la pédale n'est pas réglée sur le mode sol dur et le curseur sur le mode nettoyage en profondeur de moquette.**
4. Allumez l'aspirateur en appuyant sur la pédale de marche/arrêt placé sur le corps principal de l'aspirateur. [8]
  5. Réglez le variateur d'aspiration sur la poignée au niveau désiré. [9\*]
  6. Éteignez l'aspirateur après utilisation en appuyant sur la pédale de marche/arrêt. Débranchez l'aspirateur et enroulez le cordon d'alimentation dans l'aspirateur en appuyant sur la pédale d'enroulement du cordon. [10]

**SECTION PARKING ET RANGEMENT**

Le tube et la brosse peuvent être rangés à l'arrière de l'aspirateur pour le stocker ou l'entreposer provisoirement pendant l'utilisation. [11]

**ACCESSOIRES ET BROSSES**

Pour obtenir la meilleure performance et efficacité, il est conseillé d'utiliser les bonnes brosses pour les principales opérations de nettoyage. Ces brosses sont indiquées dans les diagrammes par les lettres **GP**, **HF** ou **CA**.

Le type de brosse **GP** peut être utilisé pour nettoyer la moquette et les sols durs.

Le type de brosse **HF** n'est adapté que pour les sols durs.

Le type de brosse **CA** n'est adapté que pour les moquettes.

Les autres brosses sont des accessoires de nettoyage spécialisés et sont conseillées pour des usages occasionnels uniquement.

Tous les accessoires s'adaptent à la poignée du flexible ou à l'extrémité du tube télescopique.

**Accessoire 2-en-1** – combine plusieurs fonctions en un seul outil : [W]

**Brosse meuble** – Pour étagères, cadres, claviers et autres surfaces délicates.

**Suceur plat** – Pour coins et endroits difficiles d'accès.

**Brosse parquet\*** – Pour parquets et autres sols délicats. [Z]

**Mini turbobrosse pour élimination des poils d'animaux domestiques\*** - Mini turbo brosse pour escaliers ou nettoyage en profondeur des surfaces textiles et autres surfaces difficiles à aspirer. Particulièrement efficace pour éliminer les poils d'animaux. [X]

**Mini turbobrosse pour élimination des poils d'animaux domestiques, limitant la prolifération des bactéries\*** – Mini turbo brosse pour escaliers ou nettoyage en profondeur des surfaces textiles et autres surfaces difficiles à aspirer. Particulièrement efficace pour éliminer les allergènes. [Y]

**Suceur flexible coins profonds \*** – Le suceur flexible coins profonds est idéal pour le nettoyage des endroits difficilement accessibles, sous les meubles et dans votre voiture. [AA]

**IMPORTANT** : Ne pas utiliser les Suceur mini turbo sur les tapis à franges longues, les peaux d'animaux ou les moquettes à poils de plus de 15 mm de longueur. **Ne pas laisser la brosse tourner sur place.**

**ENTRETIEN DE L'ASPIRATEUR****Vidage du bac à poussière**

Lorsque la poussière atteint le repère de niveau maximum, videz le bac à poussière.

**IMPORTANT** : Afin de maintenir la performance optimale de l'appareil, ne laissez pas la poussière s'accumuler au-delà du niveau maximum.

1. Éteignez l'appareil en appuyant sur la pédale de marche/arrêt et débranchez le câble d'alimentation. [8]
2. Appuyez sur le bouton de déverrouillage du bac à poussière et retirez l'ensemble du bac à poussière de l'aspirateur. [12]
3. Tenez le bac à poussière d'une main et appuyez sur le bouton rouge de déverrouillage pour vider la poussière. [13]
4. Fermez le volet du bac à poussière et replacez-le dans le corps principal de l'aspirateur.

**Nettoyage des filtres lavables**

L'aspirateur est équipé d'un pré-moteur et d'un filtre d'évacuation. Pour maintenir une performance optimale de nettoyage, enlevez régulièrement les filtres et tapez-les sur le côté pour le libérer de la poussière. Les filtres doivent être lavés après 5 vidages de la cassette ou lorsque le niveau de poussière du filtre est excessif.

**IMPORTANT** : Tous les aspirateurs sans sac nécessitent un nettoyage régulier du filtre. Un défaut de nettoyage des filtres peut entraîner un blocage d'air, une surchauffe et un défaut du produit. Ceci peut annuler votre garantie.

**IMPORTANT** : Contrôlez et entretenez régulièrement les filtres.

**IMPORTANT** : Toujours s'assurer que les filtres sont complètement secs avant utilisation.

**Pour accéder au filtre pré-moteur**

1. Détacher le bac à poussière de l'aspirateur en appuyant sur le bouton de déverrouillage du bac à poussière. [12]
2. Tenez le bac à poussière d'une main et avec l'autre main, retirez le couvercle du bac à poussière en le tournant dans le sens inverse des aiguilles d'une montre. [14]
3. Retirez le filtre pré-moteur de l'ensemble de bac à poussière. [15]
4. Tapotez doucement et lavez le filtre pré-moteur. N'utilisez pas d'eau chaude ou de détergents. Éliminez l'excédent d'eau du filtre et laissez-le sécher complètement avant de le réutiliser. [20,21]
5. Remontez l'ensemble du filtre pré-moteur une fois qu'il est entièrement sec et remettez-le sur l'aspirateur.

**Pour accéder au filtre d'évacuation**

1. Déclipez le couvercle du filtre d'évacuation de l'arrière du corps principal de l'aspirateur.



[18]

2. Retirez le filtre d'évacuation de l'arrière de l'aspirateur. [19]
3. Tapotez doucement et lavez le filtre avec de l'eau tiède. N'utilisez pas d'eau chaude ou de détergents. Éliminez l'excédent d'eau du filtre et laissez-le sécher complètement avant de le réutiliser. [20,21]
4. Remettez le filtre d'évacuation à l'arrière de l'aspirateur une fois qu'il est complètement sec et remettez le couvercle du filtre d'évacuation.

**IMPORTANT :** N'utilisez pas l'aspirateur sans les filtres.

### Nettoyage du bac à poussière/de l'unité de séparation

Cet aspirateur dispose d'un système de séparation unique à Hoover. Si nécessaire, vous pouvez démonter l'unité de séparation du bac à poussière pour la nettoyer.

1. Appuyez sur le bouton de déverrouillage du bac à poussière et retirez l'ensemble du bac à poussière de l'aspirateur. [12]
2. Tenez le bac à poussière d'une main et avec l'autre main, retirez le couvercle du bac à poussière en le tournant dans le sens inverse des aiguilles d'une montre. [14]
3. Retirez l'ensemble du filtre pré-moteur de l'ensemble de bac à poussière. Retirez l'unité de séparation multi-cyclonique du bac à poussière en le tirant. [15,16]
4. Si nécessaire, éliminez la poussière de la surface de l'unité de séparation multi-cyclone à l'aide d'un chiffon. [17]
5. Si nécessaire, lavez le bac à poussière à l'eau tiède. Nettoyez les surfaces internes du bac à poussière avec de l'eau uniquement. N'UTILISEZ EN AUCUN CAS un détergent pour nettoyer l'intérieur du bac à poussière.
6. Remontez le filtre interne et pré-moteur sur le bac à poussière.
7. Remontez le couvercle du bac à poussière sur celui-ci. Remettez le bac à poussière dans le corps principal de l'aspirateur.

### Élimination d'une obstruction

1. Vérifiez si le bac à poussière est plein. Si c'est le cas, voir « Nettoyage du bac à poussière ».
2. Si le bac à poussière est vide mais que l'aspirateur aspire mal :
  - A. Les filtres ont-ils besoin d'être nettoyés ? Si c'est le cas, voir « Pour nettoyer les filtres lavables ».
  - B. Vérifiez qu'il n'y ait pas de blocage à un autre endroit du système. - Si les obstructions sont dans le tube de rallonge, le flexible ou encore la brosse, enlevez-les à l'aide d'une tige.
  - C. Vérifiez que le filtre pré-moteur est en place.
  - D. Vérifiez si l'unité de séparation doit être nettoyée. Consultez la section "Nettoyage du séparateur".

## LISTE DES VÉRIFICATIONS À EFFECTUER

En cas de problèmes avec l'appareil, effectuez les vérifications de la liste de vérifications avant d'appeler le service après-vente Hoover.

- L'aspirateur est-il alimenté en électricité ? Veuillez vérifier la prise utilisée avec un autre appareil électrique.
- Le bac à poussière est-il saturé ? Veuillez vous reporter à « Entretien de l'aspirateur ».
- Le filtre est-il encrassé ? Veuillez vous reporter à « Entretien de l'aspirateur ».
- Le tube ou le flexible est-il bouché ?  
Veuillez vous reporter à « Pour éliminer une obstruction ».
- L'aspirateur a-t-il surchauffé ? Si c'est le cas, il lui faudra environ 30 minutes pour se réinitialiser automatiquement.

## INFORMATIONS IMPORTANTES

### Pièces détachées et consommables Hoover

Toujours remplacer les pièces par des pièces détachées de la marque Hoover. Celles-ci sont disponibles auprès de votre revendeur Hoover. Lors de la commande de pièces, veuillez toujours préciser le numéro de votre modèle.

### Service Hoover

Pour toute intervention à tout moment, veuillez contacter le service après-vente Hoover le plus proche.

### Qualité

La qualité des usines Hoover a fait l'objet d'une évaluation indépendante. Nos produits sont fabriqués selon un système de qualité conforme à la norme ISO 9001.

### Votre garantie

Les conditions de garantie de cet appareil sont définies par notre représentant dans le pays où il est vendu et peuvent être obtenues auprès de votre revendeur. Les détails concernant ces conditions peuvent être obtenues auprès du revendeur auprès duquel l'appareil a été acheté. La facture d'achat ou le reçu doivent être présentés pour toutes réclamations relevant des conditions de cette garantie.

Ces conditions peuvent être modifiées sans préavis.

## ISTRUZIONI PER UN USO SICURO

Questo apparecchio deve essere utilizzato esclusivamente in ambito domestico per interventi di pulizia, secondo le istruzioni riportate nel presente documento. Accertarsi di aver compreso le istruzioni prima di mettere in funzione l'apparecchio.

Non lasciare l'apparecchio collegato alla corrente. Prima di procedere alla pulizia dell'apparecchiatura o di effettuare qualsiasi operazione di manutenzione, spegnere sempre l'apparecchio e scollegare la spina.

Questo elettrodomestico non è destinato a essere utilizzato da persone dalle ridotte capacità fisiche, sensoriali o mentali (bambini inclusi), senza una adeguata assistenza o controllo da parte di una persona adulta responsabile della loro sicurezza. Controllare che i bambini non giochino con l'apparecchio. Pulizia e manutenzione non possono essere eseguite da bambini senza sorveglianza da parte di una persona responsabile.

Se il cavo di alimentazione è danneggiato, interrompere immediatamente l'utilizzo dell'apparecchio. Per evitare pericoli, il cavo di alimentazione dovrà essere sostituito da un tecnico del servizio assistenza autorizzato HOOVER.

Tenere le mani, i piedi, i capi di abbigliamento non attillati e i capelli lontani dalle spazzole rotanti.

Utilizzare solo accessori o parti di consumo e di ricambio consigliati o forniti da HOOVER.

**Elettricità statica:** Alcuni tappeti possono produrre un piccolo accumulo di elettricità statica. Le cariche di elettricità statica non sono pericolose per la salute.

Non utilizzare l'apparecchio all'aperto, su superfici bagnate o per aspirare liquidi.

Non aspirare oggetti solidi o appuntiti, fiammiferi, ceneri calde, mozziconi di sigaretta o similari.

Non vaporizzare o aspirare liquidi infiammabili, detergenti, aerosol o i loro vapori.

Non calpestare il cavo di alimentazione durante l'utilizzo dell'apparecchio o scollegare la spina dalla presa tirando il cavo di alimentazione.

Non continuare a utilizzare l'apparecchio in caso di presunto guasto.

**Assistenza HOOVER:** Per garantire un funzionamento sempre sicuro ed efficiente dell'apparecchiatura, si consiglia di fare eseguire eventuali interventi di assistenza o di riparazione dai tecnici del servizio assistenza autorizzato HOOVER.

Non calpestare il cavo di alimentazione o avvolgerlo intorno alle braccia o alle gambe mentre si usa l'apparecchio.

Non utilizzare l'apparecchio per l'igiene della persona o degli animali.

Non collocare l'apparecchio in una posizione più bassa rispetto alla propria quando si puliscono delle scale.

### Ambiente:

Il simbolo apposto sul prodotto indica che lo stesso non può essere smaltito come i normali rifiuti domestici, bensì deve essere portato al punto di raccolta o al centro di riciclaggio delle apparecchiature elettriche ed elettroniche più vicino. Lo smaltimento deve essere eseguito in conformità alle normative locali vigenti per la salvaguardia dell'ambiente e lo smaltimento dei rifiuti. Per ulteriori informazioni sul trattamento, il recupero e il riciclaggio di questo prodotto, contattare l'unità territoriale competente per il servizio di smaltimento o il negozio in cui il prodotto è stato acquistato.



**CE** Questo prodotto è conforme alle Direttive Europee 2014/35/EU, 2014/30/EU e 2011/65/EU.

CANDY HOOVER GROUP S.r.l. Via Privata Eden Fumagalli, 20861 Brugherio (MB) Italy

## DESCRIZIONE DELL'APPARECCHIO:

- |   |   |
|---|---|
| A. Pedale di riavvolgimento del cavo                | O. Pedale selettore tipo pavimento*                                 |
| B. Coperchio del filtro in uscita                   | P. Levetta spazzola tappeti e pavimenti*                            |
| C. Filtro in uscita                                 | Q. Sportello del contenitore raccogli-polvere.                      |
| D. Stazionamento                                    | R. Pulsante di sblocco dello sportello contenitore raccogli-polvere |
| E. Pulsante a pedale Accensione/Spegnimento         | S. Contenitore raccogli-polvere                                     |
| F. Pulsante sblocco contenitore raccogli-polvere    | T. Unità di separazione Multiciclonica                              |
| G. Gruppo contenitore raccogli-polvere.             | U. Filtro Pre-Motore  |
| H. Corpo principale dell'apparecchio                | V. Coperchio contenitore raccogli-polvere                           |
| I. Tubo flessibile                                  | W. Accessori 2 in 1   |
| J. Regolatore forza aspirante*                      | X. Mini turbospazzola per rimuovere i peli di animali domestici*    |
| K. Impugnatura tubo**                               | Y. Mini turbospazzola per rimuovere gli allergeni*                  |
| L. Tubo telescopico**                               | Z. Spazzola Parquet*  |
| La. Levetta tubo telescopico*                       | AA. Bocchetta flessibile lunga per fessure*                         |
| Lb. Dispositivo di controllo del tubo telescopico** |   |
| M & M1. Spazzola per tappeti e pavimenti (Gp)**     |   |
| M2. Spazzola per tappeti (Ca)*                      |   |
| M3. Spazzola per pavimenti duri (Hf)*               |   |
| N. Corsore spazzola tappeti e pavimenti*            |   |

## MONTAGGIO DELL'APPARECCHIO

Disimballare tutti i componenti.

1. Collegare il tubo flessibile al corpo principale dell'apparecchio, assicurandosi che si agganci e si blocchi in posizione. Per disinserire il tubo, è sufficiente premere il pulsante all'estremità del tubo flessibile e tirare per estrarlo. [1]
2. Collegare l'impugnatura del tubo flessibile\*\* all'estremità superiore della prolunga del tubo [2] o, se necessario, agli accessori.
3. Collegare l'estremità inferiore della prolunga del tubo alla spazzola\*\* per tappeti e pavimenti [3] o, se necessario, agli accessori.

## UTILIZZO DELL'APPARECCHIO

1. Estrarre il cavo di alimentazione e inserirlo in una presa di corrente. Non tirare il cavo oltre l'indicatore rosso. [4]
2. Regolare il tubo telescopico all'altezza desiderata spostando il regolatore\*\* del tubo telescopico e sollevando o abbassando l'impugnatura fino a trovare la posizione di pulizia più confortevole. [5]
3. Spazzola per tappeti e pavimenti\*\* - Premere il selettore tipo pavimento sulla spazzola [6] per selezionare la modalità di pulizia ideale per il tipo di superficie da pulire.

**Pavimento** – Le setole si abbassano per proteggere il pavimento.

**Tappeto/moquette** – Le spazzole si sollevano per garantire una pulizia più in profondità.

**Spazzola tappeti e pavimenti\*\*:** [7]

- **Pulizia pavimenti duri:** Premere il pedale sulla spazzola in modalità "Pavimenti Duri" e selezionare con il cursore sulla spazzola la modalità "TUTTI I PAVIMENTI". In questa

modalità spazzole, ruote e inserto in gomma vengono abbassati per proteggere i pavimenti duri. [7a]

- **Pulizia standard per tappeti e moquette:** Premere il pedale sulla spazzola in modalità "Tappeti" e selezionare con il cursore sulla spazzola la modalità "TUTTI I PAVIMENTI". In questa modalità spazzole e inserto in gomma vengono sollevati, mentre le ruote sono abbassate per facilitare il movimento su queste superfici. [7b]

- **Pulizia profonda per tappeti:** Premere il pedale sulla spazzola in modalità "Tappeti" e selezionare con il cursore sulla spazzola la modalità "PULIZIA PROFONDA TAPPETI". In questa modalità spazzole, ruote e inserto in gomma vengono sollevati per pulire a fondo il tappeto. [7c]

**ATTENZIONE: Per evitare graffiature a pavimenti in legno prestare attenzione e non posizionare il pedale in modalità "Pavimenti duri" e il cursore in modalità "Pulizia Profonda Tappeti".**

4. Accendere l'apparecchio premendo il pulsante a pedale di accensione/spegnimento sul corpo principale dell'aspirapolvere. [8]
5. Posizionare il regolatore di forza aspirante sull'impugnatura al livello desiderato. [9\*]
6. Dopo l'uso, spegnere l'apparecchio premendo il pulsante a pedale di accensione/spegnimento. Staccare la spina e premere il pedale di riavvolgimento del cavo per riavvolgere il cavo di alimentazione nell'aspirapolvere. [10]

### STAZIONAMENTO E PARCHEGGIO

Il tubo e la spazzola possono essere parcheggiati sul retro dell'apparecchio per essere riposti o per uno stazionamento temporaneo durante l'uso. [11]

## ACCESSORI E SPAZZOLE

Per ottenere prestazioni ottimali ed efficienza, è consigliato usare le spazzole appropriate per le principali operazioni di pulizia. Queste spazzole sono indicate nel diagramma con le lettere **GP**, **HF** o **CA**.

La spazzola di tipo **GP** è adatta per pulire sia tappeti che pavimenti duri.

La spazzola di tipo **HF** è adatta solo per la pulizia dei pavimenti duri.

La spazzola di tipo **CA** è adatta solo per la pulizia dei tappeti.

Le altre spazzole sono accessorie per operazioni di pulizia speciale e sono raccomandate solo per usi occasionali.

Tutti gli accessori possono essere inseriti all'estremità dell'impugnatura del tubo flessibile o all'estremità del tubo telescopico.

**Bocchetta 2 in 1** – Combina diverse funzioni in un unico dispositivo: [W]

**Spazzola a pennello** – Per librerie, cornici, tastiere e altre superfici delicate.

**Bocchetta per fessure** – Per angoli e punti difficili da raggiungere.

**Spazzola Parquet\*** – Per parquet e pavimenti delicati. [Z]

**Mini turbospazzola per rimuovere i peli di animali domestici\*** - utilizzare la mini turbospazzola per la pulizia profonda di superfici tessili e imbottiti e per altre aree difficili. Particolarmente adatta per rimuovere i peli degli animali domestici. [X]

**Mini turbospazzola per rimuovere gli allergeni\*** – utilizzare la mini turbospazzola per la pulizia profonda di superfici tessili e imbottiti e per altre aree difficili. Particolarmente adatta per rimuovere gli allergeni. [Y]

**Bocchetta flessibile lunga per fessure \*** – Utilizzare la bocchetta flessibile lunga per fessure per la pulizia di aree di difficile accesso, in casa e nelle automobili. [AA]

\*Solo su alcuni modelli

\*\* Solo su alcuni modelli, le spazzole possono variare secondo il modello

**IMPORTANTE:** Non utilizzare La miNi turbospazzola su pellicce e su tappeti a frange o con pelo di oltre 15 mm. **Non tenere ferma la spazzola sul tappeto con il rullo in rotazione.**

## MANUTENZIONE DELL'APPARECCHIO

### Svuotamento del contenitore raccogli polvere

Quando la polvere raggiunge l'indicatore di livello massimo, svuotare il contenitore raccogli polvere.

**IMPORTANTE:** per ottenere prestazioni ottimali, non consentire che la polvere si accumuli oltre il livello massimo.

1. Spegner l'apparecchio premendo il pedale di accensione/spegnimento e scollegare il cavo di alimentazione. **[8]**
2. Premere il pulsante di sblocco del contenitore raccogli polvere e rimuovere il gruppo contenitore dall'apparecchio. **[12]**
3. Con una mano tenere il contenitore raccogli polvere e premere il pulsante di rilascio dello stesso contenitore raccogli polvere per svuotarlo. **[13]**
4. Chiudere lo sportello contenitore raccogli polvere e riposizionarlo sul corpo principale dell'apparecchio.

### Pulizia dei filtri lavabili

L'apparecchio è dotato di filtro pre-motore e di filtro in uscita. Per mantenere prestazioni ottimali, rimuovere periodicamente i filtri e picchiettarli contro il lato del contenitore raccogli polvere per eliminarne la polvere. I filtri devono essere lavati ogni 5 svuotamenti della cassetta o ogni volta che la polvere in essi contenuta risulti eccessiva.

**IMPORTANTE:** Tutti gli apparecchi senza sacchetto richiedono una regolare pulizia del filtro. La mancata pulizia dei filtri può causare il blocco, il surriscaldamento e il danneggiamento dell'apparecchio. Tutto ciò può invalidare la garanzia.

**IMPORTANTE:** Controllare i filtri sistematicamente e sottoporli a regolare manutenzione.

**IMPORTANTE:** Prima dell'utilizzo, accertarsi sempre che i filtri siano completamente asciutti.

#### Per accedere al filtro Pre-motore:

1. Rimuovere il contenitore raccogli polvere dall'apparecchio premere il pulsante di rilascio dello stesso contenitore raccogli polvere. **[12]**
2. Con una mano tenere il contenitore raccogli polvere e con l'altra togliere il coperchio del contenitore raccogli polvere ruotandolo in senso antiorario. **[14]**
3. Estrarre il gruppo filtro pre-motore dal gruppo contenitore raccogli polvere. **[15]**
4. Picchiettare e lavare il filtro pre-motore. Non utilizzare acqua bollente o detersivi. Eliminare l'acqua in eccesso dal filtro e lasciarlo asciugare completamente prima di riutilizzarlo. **[20,21]**
5. Una volta asciutto, rimontare il gruppo filtri e rimontarlo sull'apparecchio.

#### Per accedere al filtro in uscita:

1. Sganciare il coperchio del filtro in uscita dal retro del corpo principale dell'apparecchio. **[18]**
2. Rimuovere il filtro in uscita dal retro dell'apparecchio. **[19]**
3. Picchiettare e lavare il filtro con acqua calda. Non utilizzare acqua bollente o detersivi. Eliminare l'acqua in eccesso dal filtro e lasciarlo asciugare completamente prima di riutilizzarlo. **[20,21]**
4. Una volta completamente asciutto, rimontare il filtro in uscita nel retro dell'apparecchio e rimettere il coperchio del filtro in uscita.

\*Solo su alcuni modelli

\*\* Solo su alcuni modelli, le spazzole possono variare secondo il modello

**IMPORTANTE:** Non utilizzare il prodotto senza aver prima montato l'unità filtro.

### Pulizia del contenitore raccogli polvere / unità di separazione

Questo apparecchio utilizza un sistema di separazione esclusivo di Hoover. Se necessario, l'unità di separazione può essere smontata dal contenitore raccogli polvere e pulita.

1. Premere il pulsante di sblocco del contenitore raccogli polvere e rimuovere il gruppo contenitore dall'apparecchio. **[12]**
2. Con una mano tenere il contenitore raccogli polvere e con l'altra togliere il coperchio del contenitore raccogli polvere ruotandolo in senso antiorario. **[14]**
3. Estrarre il gruppo filtro pre-motore dal gruppo contenitore raccogli polvere. Quindi rimuovere l'unità di separazione multiciclonica, dal contenitore raccogli polvere, tirandola. **[15,16]**
4. Se necessario, utilizzare un panno per rimuovere la polvere in eccesso dalla superficie dell'unità di separazione multiciclonica. **[17]**
5. Se necessario, sciacquare il contenitore raccogli polvere con acqua tiepida. Lavare le superfici interne del contenitore raccogli polvere solo con acqua. NON utilizzare saponi detersivi per lavare le parti interne del contenitore raccogli polvere.
6. Rimontare l'interno e il filtro pre-motore nel contenitore raccogli polvere.
7. Rimettere al contenitore raccogli polvere il suo coperchio. Riposizionare il contenitore raccogli polvere sul corpo principale dell'apparecchio.

### Rimozione di un'ostruzione

5. Controllare che il contenitore raccogli polvere non sia pieno. Se così, consultare la sezione "Svuotamento del contenitore raccogli polvere".
6. Se il contenitore raccogli polvere non è pieno ma l'aspirazione è ancora scarsa:
  - A. Potrebbe essere necessario pulire i filtri. In questo caso, vedere la sezione "Pulizia dei filtri lavabili".
  - B. Controllare che non vi siano altre ostruzioni nel sistema. - Utilizzare un'asticella o un bastoncino per rimuovere eventuali ostruzioni dal tubo telescopico o dal tubo flessibile.
  - C. Verificare che il filtro pre-motore sia installato.
  - D. Verificare se l'unità di separazione debba essere pulita. Vedere "Pulizia dell'unità di separazione".

## CHECKLIST UTENTE

In caso di problemi, completare questa semplice checklist utente prima di chiamare il centro assistenza Hoover.

- La presa elettrica a cui è collegato l'apparecchio è funzionante? Controllare collegando un altro elettrodomestico.
- Il contenitore raccogli polvere è pieno? Vedere "Manutenzione dell'apparecchio".
- Il filtro è ostruito? Vedere "Manutenzione dell'apparecchio".
- Il tubo flessibile o la bocchetta sono ostruiti? Consultare la sezione "Rimozione di un'ostruzione dal sistema".
- L'aspirapolvere si è surriscaldato? In questo caso, il reset automatico richiede circa 30 minuti.



## INFORMAZIONI IMPORTANTI

### **Parti di ricambio e di consumo Hoover**

Utilizzare sempre parti di ricambio originali Hoover, che è possibile acquistare dal distributore locale Hoover o direttamente sul sito internet Hoover. Quando si ordinano delle parti di ricambio, ricordarsi sempre di fornire il numero di modello dell'apparecchio utilizzato.

### **Qualità**

La qualità degli stabilimenti Hoover è stata sottoposta a valutazione indipendente. I nostri prodotti vengono realizzati mediante un sistema di qualità che soddisfa i requisiti ISO 9001.

### **Assistenza e garanzia Hoover**

Il prodotto è garantito, oltre che ai sensi di legge, alle condizioni e nei termini riportati sul certificato di garanzia convenzionale inserito nel prodotto. Il certificato dovrà essere conservato e mostrato al nostro Centro di Assistenza Tecnica Autorizzato, in caso di necessità, insieme allo scontrino comprovante l'acquisto dell'elettrodomestico. Puoi consultare le condizioni di garanzia anche sul nostro sito internet.

Per ottenere assistenza compila l'apposito form on-line oppure contattaci al numero che trovi indicato nella pagina di assistenza del nostro sito internet.

Queste condizioni potrebbero venire modificate senza obbligo di preavviso.