

Verbatim LED Recessed Downlight 104mm 8W 4000K 850lm White DIM

- Energy saving alternative to CFL downlights
- 50,000 hours lifetime (L70B50)
- Direct mains voltage connection (220-240V)
- Light output of 850lm
- 4000K neutral white light
- Cut-out diameter: Ø90mm
- Flicker-free
- Phase-cut dimmable driver included
- 5 Years Warranty

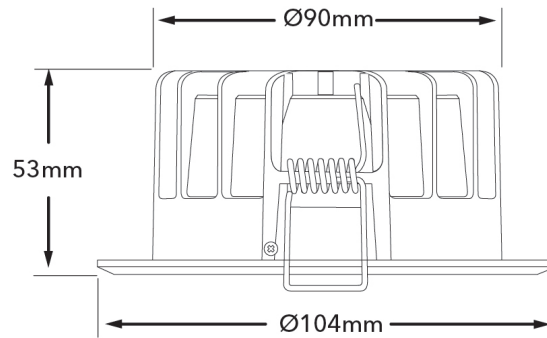
Product Number	52949
General Data	
Installation type	Recessed
Housing material	Aluminum
Housing colour	White (RAL9010)
Protection class	IP20 (IP40 room side)
Dimmable	yes
Geometric Data	
Height (mm)	53
Outer diameter (mm)	104
Inner diameter (mm)	90
Weight (g)	170
Cut-out dimensions (mm)	90
Electric Data	
Wattage (W)	8
Voltage (V)	220-240
Current (mA)	38 (42 max)
Power Factor	0.8
Operating Frequency (Hz)	50/60
Safety Class	Class II
Power supply	External
Photometric Data	
Luminous Flux (lm)	850
CRI	80
CCT (K)	4000
Luminous Efficacy (lm/W)	106
Lifespan	
Lifetime (hrs)	50,000 (L70B50)
Switching Cycle	100,000
Mechanical Parameters	
Glow wire test	850°C



Product image




Technical drawing



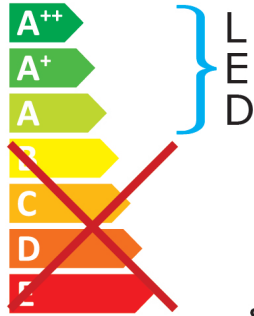
Application image




Energy Rating



This luminaire contains built-in LED lamps.





The lamps cannot be changed in the luminaire.

Verbatim 52949
874/2012

Technical Packaging Details

Barcode
023942529491

EAN 128
(02)00023942529491(37)01(91)52

EAN 14
50023942529496

Pack Dimensions(HxWxL)
110 x 110 x 88 mm (mm)

MOQ
1

Carton Dimensions (HxWxL)
350 x 225 x 270 mm (mm)

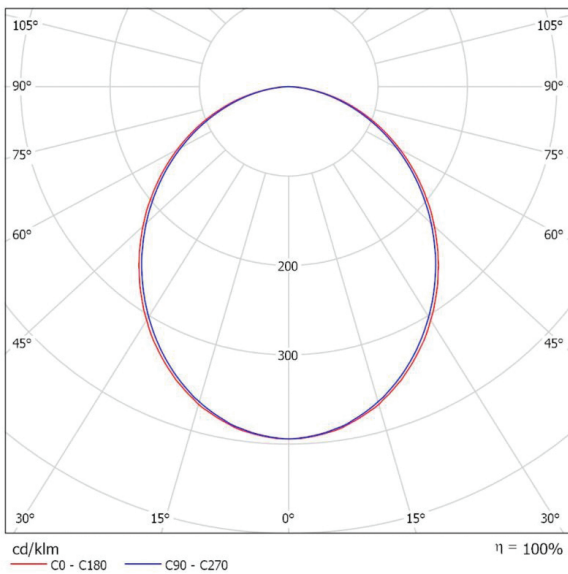
Cartons/Pallet
27

Layers/Pallet
3

Units/Pallet
486



Photometric Diagrams



Distance [m]	Cone Diameter [m]	E(0°)	E(C90)	E(C0)	Illuminance [lx]
0.5	1.20				1340
	1.24	50.3°	51.2°		175
		51.2°			165
1.0	2.41				335
	2.49	50.3°	51.2°		44
		51.2°			41
1.5	3.61				149
	3.73	50.3°	51.2°		19
		51.2°			18
2.0	4.82				84
	4.97	50.3°	51.2°		11
		51.2°			10
2.5	6.02				54
	6.22	50.3°	51.2°		7
		51.2°			7
3.0	7.23				37
	7.46	50.3°	51.2°		5
		51.2°			5

Distance [m] Cone Diameter [m] Illuminance [lx]

— C0 - C180 (Half-value Angle: 102.4°)
— C90 - C270 (Half-value Angle: 100.6°)