

# EdgeReady™ Micro Data Center

Quiet Rack, 15U Usable, 1.5 kVA, 120V



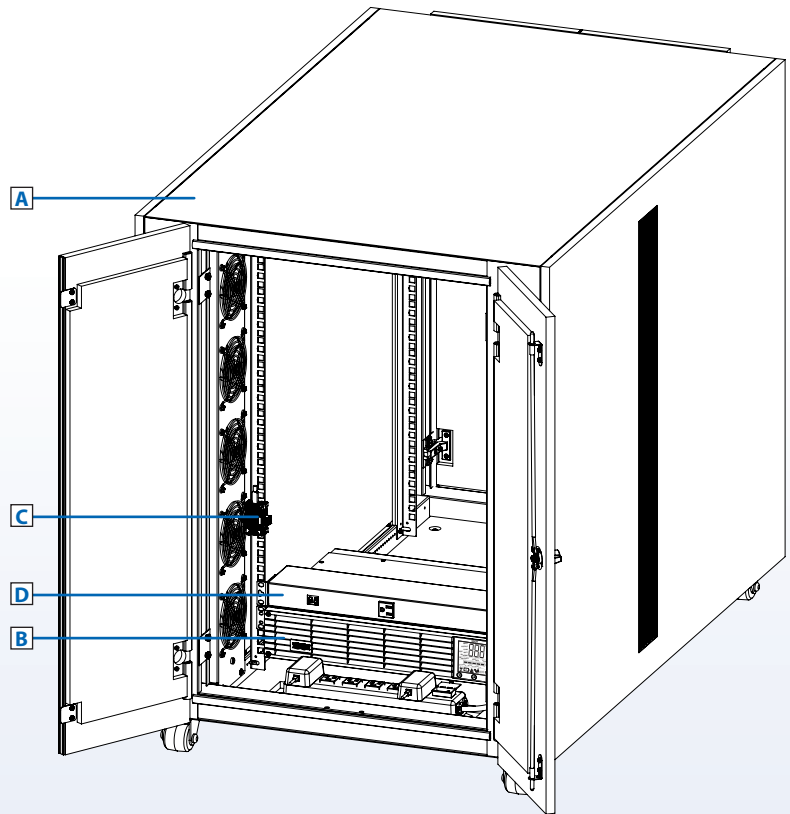
## Benefits

- Provides preconfigured IT infrastructure for edge computing servers, storage and network hardware in noise-sensitive, space-limited locations
- Integrates secure rack space, reliable power distribution, expandable battery backup, remote management and optional cooling
- Prevents configuration errors, reduces installation time, decreases field costs and standardizes edge computing infrastructure
- Ships three business days from receipt of order, after design, assembly and testing by experts in a controlled environment

## Included Hardware

- A** SRQ18U Quiet Rack Enclosure (Standard Width)
- B** SMART1500RMXLN SmartPro® UPS System with Pre-Installed WEBCARDLX Network Management Card
- C** E2MTHDI Environmental Sensor (Temperature/Humidity/Digital Inputs)
- D** PDUHM15-6 Metered PDU

Assembled/tested unit also includes reinforced shock pallet and loading ramps for stable shipment and re-shipment with installed IT equipment.



See Next Page for Customization Options

## Specifications

Model (Kit)	MDK1F15UPX00001
Model (Assembled/Tested)	MDA1F15UPX00001
Output Power Capacity	1.5 kVA/1.35 kW/11.25A Max
Rack Space	18U Total; 15U Usable
Weight Capacity	750 lb. (340 kg) Total; 450 lb. (204 kg) Usable
Maximum Device Depth	37 in. (940 mm)
Site Power Requirements	120V, 15A, 60 Hz
Site Outlet Required	NEMA 5-15R
UPS Type	Line-Interactive with Sine Wave Output
Runtime (50%/100% Load)	14/4.9 min. (Expandable with 1.2 kW Limit)
High-Availability Features	Automatic Voltage Regulation (AVR); Battery Backup; Hot-Swappable Batteries
Usable Outlets (UPS + PDU)	(20) NEMA 5-15R
Dimensions (Assembled)	38.6 x 30 x 46.7 in. (980 x 762 x 1186 mm)
Weight (Assembled)	300 lb. (136 kg)
Warranty*	2-Year Limited Warranty (Extendable)

\* Any component with a warranty longer than 2 years will be covered by the longer warranty.

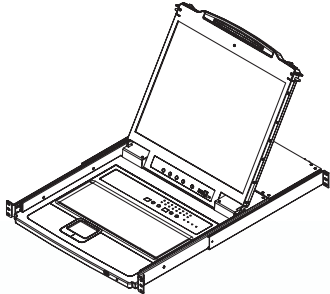


Powering and Connecting Your World

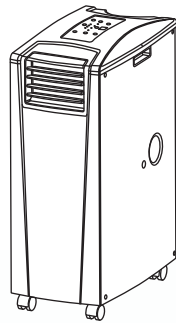
## Unlimited Micro Data Center Customization

Tripp Lite's solutions team is standing by to help you tailor your EdgeReady™ micro data center to match the business and technology requirements of your edge deployment strategy. We ship custom solutions in as little as five business days, assembled and tested. We can help you customize your EdgeReady™ micro data center in several ways:

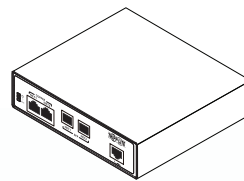
- Quick and easy customization via stocked add-on accessories for the base configurations
- Upgrades to included components of base configurations with stocked alternatives
- Customization of individual components like racks, PDUs and cables (increases lead time)



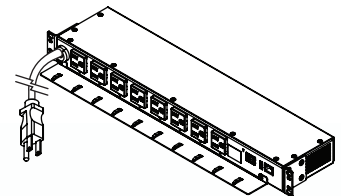
**B020-U16-19-IP**  
1U Rack Console  
with 16-Port KVM Switch  
and Remote Access



**SRCOOL12K**  
Portable Air Conditioning  
Unit (3.5 kW)



**B093-008-2E4U-M**  
8-Port Console Server  
with Built-in Modem for  
Fail-Safe Access



**PDUMH15NET2LX**  
1U Switched PDU  
with Remote Current  
Monitoring, Alerts and  
Outlet Control

### Optional Accessories, Sold Separately (Visit [www.tripplite.com](http://www.tripplite.com) to see the full selection.)

Switched PDU	<b>PDUMH15NET2LX</b> with (8) NEMA 5-15R; 1U (Replaces standard PDU.)
Battery Packs for Extended Runtime (50%/100% Load)	59/23 min. with <b>BP36V15-2U</b> (Limit 1); 85/34 min. with <b>BP36V27-2US</b> ; 177/73 min. with <b>BP36V42-3U</b>
Cooling	<b>SRCOOL12K</b> (3.5 kW; Portable; NEMA 5-15P)
KVM Switch	<b>B022-U16-IP</b> ; <b>B020-U16-19-IP</b> (With LCD Console)
Console Server	<b>B093-008-2E4U-M</b>
Door Monitoring Kit	<b>SRSWITCH</b> (Monitors Front/Rear Doors)
Airflow Management	<b>SR1UPANEL10</b> and/or <b>SR1UBRUSH</b>
Cable Managers	40+ Horizontal, Vertical and External Cable Management Options at <a href="http://tripplite.com">tripplite.com</a>
Power Cords	Match to IT Equipment; 250+ Power Cord Options at <a href="http://tripplite.com">tripplite.com</a>
Network Cables	Match to IT Equipment; 1,000+ Copper and Fiber Network Cable Options at <a href="http://tripplite.com">tripplite.com</a>
Patch Panels	60+ Copper and Fiber Patch Panel Options at <a href="http://tripplite.com">tripplite.com</a>
Additional Sensors	<b>E2MT</b> (Up to 3 Sensors Total per WEBCARDLX to Monitor Top/Middle/Bottom Temperature)

1111 W. 35th Street, Chicago, IL 60609 USA | 773.869.1236 | [www.tripplite.com](http://www.tripplite.com)



Powering and Connecting Your World