

EdgeReady™ Micro Data Center

Compact Rack, 15U Usable, 1.5 kVA, 120V



Benefits

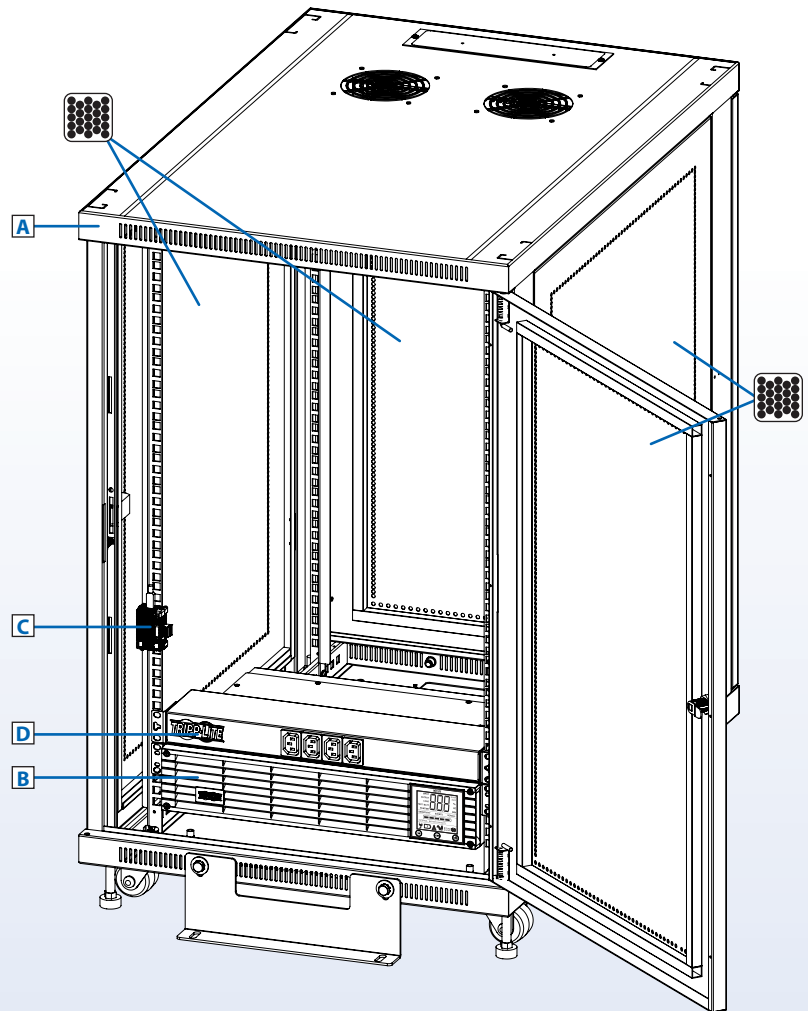
- Provides preconfigured IT infrastructure for edge computing servers, storage and network hardware in space-limited locations
- Integrates secure rack space, reliable power distribution, expandable battery backup, remote management and optional cooling
- Prevents configuration errors, reduces installation time, decreases field costs and standardizes edge computing infrastructure
- Ships three business days from receipt of order, after design, assembly and testing by experts in a controlled environment

Included Hardware

- A** **SR18UB** Compact Rack Enclosure (Standard Width)
- B** **SMART1500RMLN** SmartPro® UPS System with Pre-Installed **WEBCARDLX** Network Management Card
- C** **E2MTHDI** Environmental Sensor (Temperature/Humidity/Digital Inputs)
- D** **PDUMH15-6** Metered PDU

Assembled/tested unit also includes reinforced shock pallet and loading ramps for stable shipment and re-shipment with installed IT equipment.

See Next Page for Customization Options



Specifications

| | |
|---------------------------------|--|
| Model (Kit) | MDK1F15UPX00000 |
| Model (Assembled/Tested) | MDA1F15UPX00000 |
| Output Power Capacity | 1.5 kVA/1.35 kW/11.25A Max |
| Rack Space | 18U Total; 15U Usable |
| Weight Capacity | 1000 lb. (453 kg) Total; 837 lb. (380 kg) Usable |
| Maximum Device Depth | 32.5 in. (826 mm) |
| Site Power Requirements | 120V, 15A, 60 Hz |
| Site Outlet Required | NEMA 5-15R |
| UPS Type | Line-Interactive with Sine Wave Output |
| Runtime (50%/100% Load) | 14/4.9 min. (Expandable with 1.2 kW Limit) |
| High-Availability Features | Automatic Voltage Regulation (AVR); Battery Backup; Hot-Swappable Batteries |
| Usable Outlets (UPS + PDU) | (20) NEMA 5-15R |
| Dimensions (Assembled) | 35.6 x 23.63 x 33.5 in. (904 x 600 x 851 mm) |
| Weight (Assembled) | 163 lb. (74 kg) |
| Warranty* | 2-Year Limited Warranty (Extendable) |

*Any component with a warranty longer than 2 years will be covered by the longer warranty.

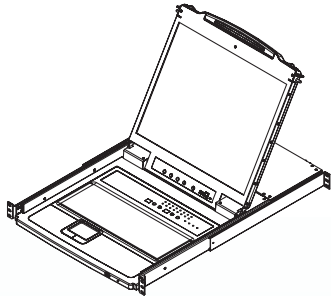


Powering and Connecting Your World

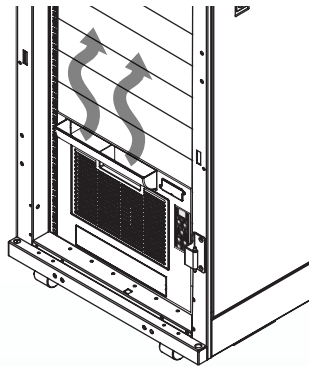
Unlimited Micro Data Center Customization

Tripp Lite's solutions team is standing by to help you tailor your EdgeReady™ micro data center to match the business and technology requirements of your edge deployment strategy. We ship custom solutions in as little as five business days, assembled and tested. We can help you customize your EdgeReady™ micro data center in several ways:

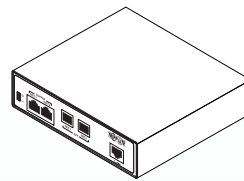
- Quick and easy customization via stocked add-on accessories for the base configurations
- Upgrades to included components of base configurations with stocked alternatives
- Customization of individual components like racks, PDUs and cables (increases lead time)



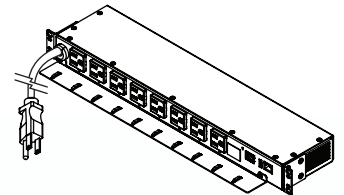
B022-U16-IP
1U Rack Console
with 16-Port KVM Switch
and Remote Access



SRCOOL7KRM
8U Rack-Mount
Air Conditioning Unit (2 kW)



B093-008-2E4U-M
8-Port Console Server
with Built-in Modem for
Fail-Safe Access



PDUMH15NET2LX
1U Switched PDU
with Remote Current
Monitoring, Alerts and
Outlet Control

Optional Accessories, Sold Separately (Visit www.tripplite.com to see the full selection.)

| | |
|--|--|
| Switched PDU | PDUMH15NET2LX with (8) NEMA 5-15R; 1U (Replaces standard PDU.) |
| Battery Packs for Extended Runtime (50%/100% Load) | 59/23 min. with BP36V15-2U (Limit 1); 85/34 min. with BP36V27-2US ; 177/73 min. with BP36V42-3U |
| Cooling | SRCOOL7KRM (2 kW; 8U Rack-Mount, NEMA 5-15P) or SRCOOL12K (3.5 kW; Portable; NEMA 5-15P) |
| KVM Switch | B022-U16-IP ; B020-U16-19-IP (With LCD Console) |
| Console Server | B093-008-2E4U-M |
| Door Monitoring Kit | SRSWITCH (Monitors Front/Rear Doors) |
| Airflow Management | SR1UPANEL10 and/or SR1UBRUSH |
| Cable Managers | 40+ Horizontal, Vertical and External Cable Management Options at tripplite.com |
| Power Cords | Match to IT Equipment; 250+ Power Cord Options at tripplite.com |
| Network Cables | Match to IT Equipment; 1,000+ Copper and Fiber Network Cable Options at tripplite.com |
| Patch Panels | 60+ Copper and Fiber Patch Panel Options at tripplite.com |
| Additional Sensors | E2MT (Up to 3 Sensors Total per WEBCARDLX to Monitor Top/Middle/Bottom Temperature) |

1111 W. 35th Street, Chicago, IL 60609 USA | 773.869.1236 | www.tripplite.com



Powering and Connecting Your World