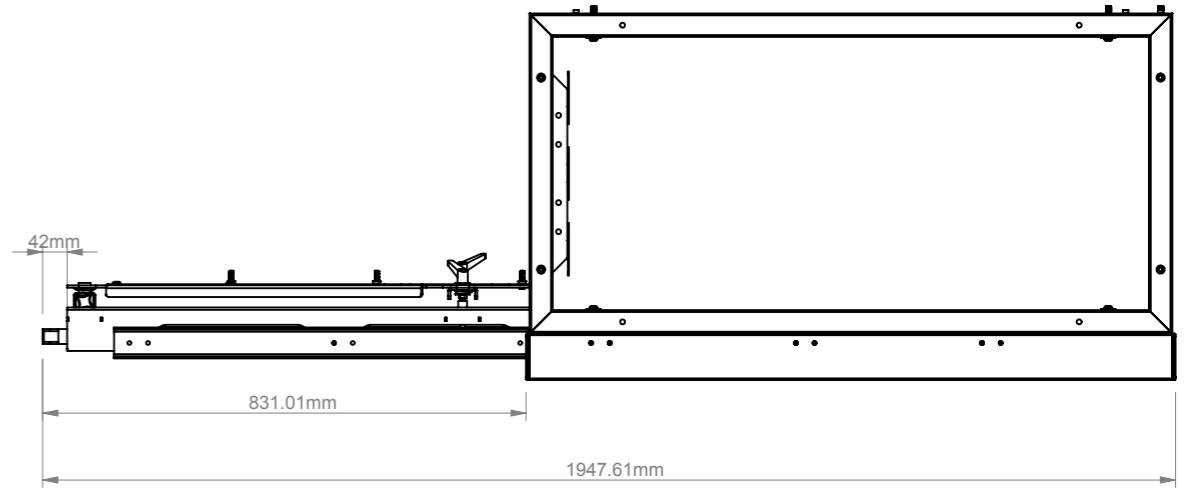
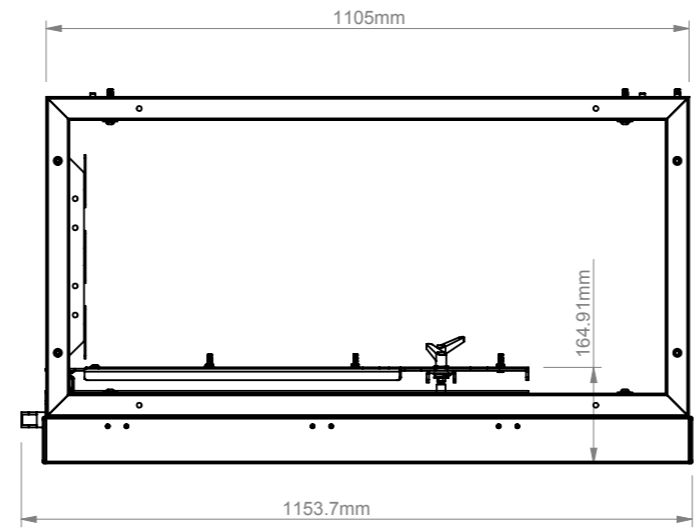
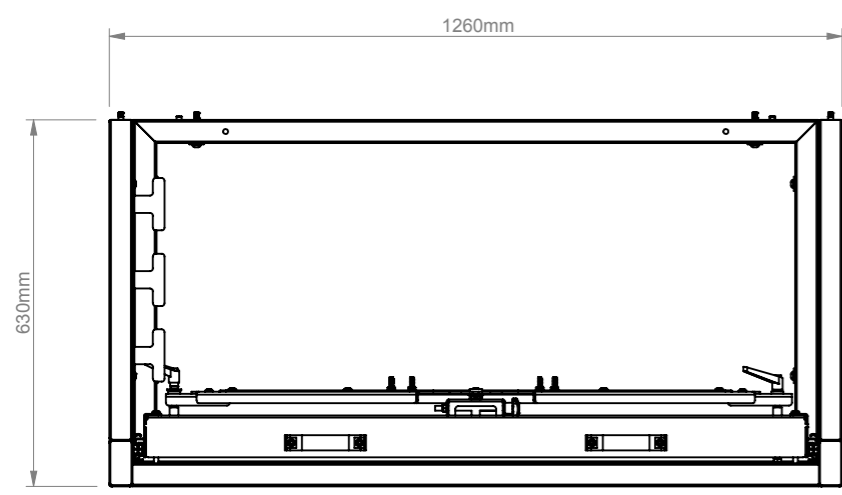
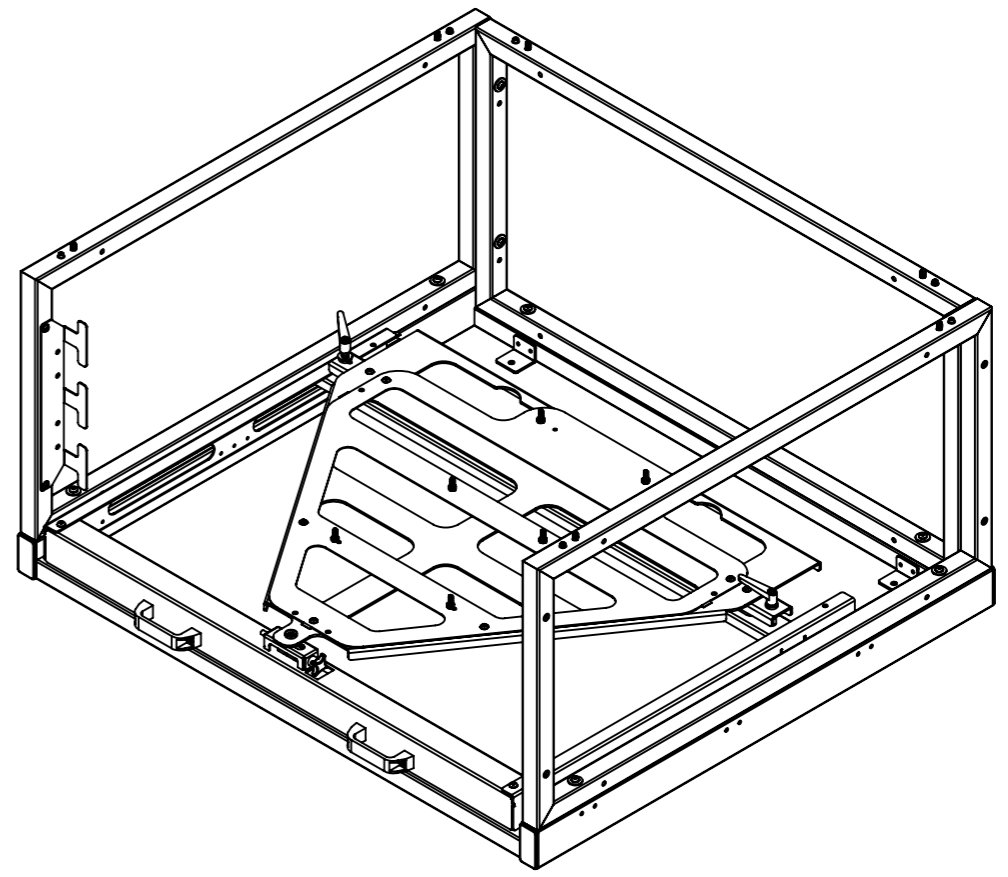
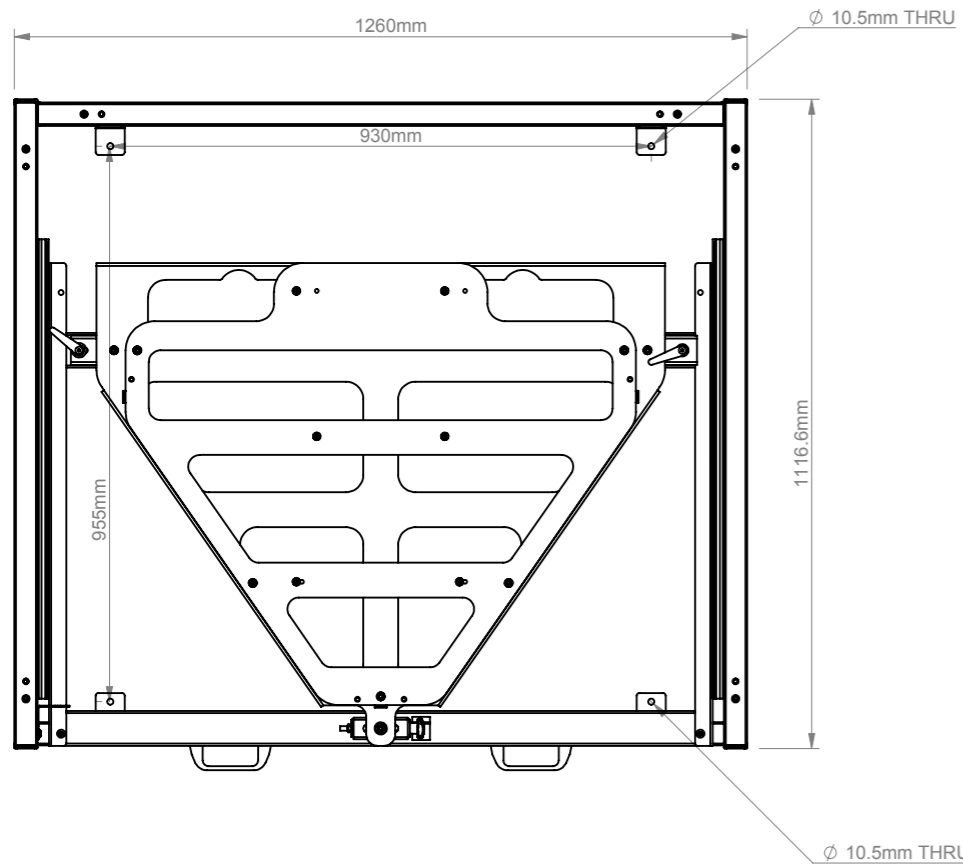



THE INFORMATION CONTAINED IN THIS DRAWING IS THE SOLE PROPERTY OF B-TECH INTERNATIONAL DESIGN AND MANUFACTURING LIMITED, ANY REPRODUCTION IN PART OR WHOLE WITHOUT THE WRITTEN PERMISSION OF B-TECH INTERNATIONAL DESIGN AND MANUFACTURING LIMITED IS PROHIBITED.



B-Tech International Design and Manufacturing Limited Part of the B-Tech International Group of Companies		B-Tech No: BT897
 UNLESS OTHERWISE SPECIFIED DIMENSIONS ARE IN MILLIMETERS		Version: 1.0
Size: A3 Scale: 1:13	Title: Stackable Heavy Duty Projector Mount	
Sheet: 1 of 1	Date: 13/05/2016	Revision: 0.0
		File Name: BTD-BT897-R0.0