

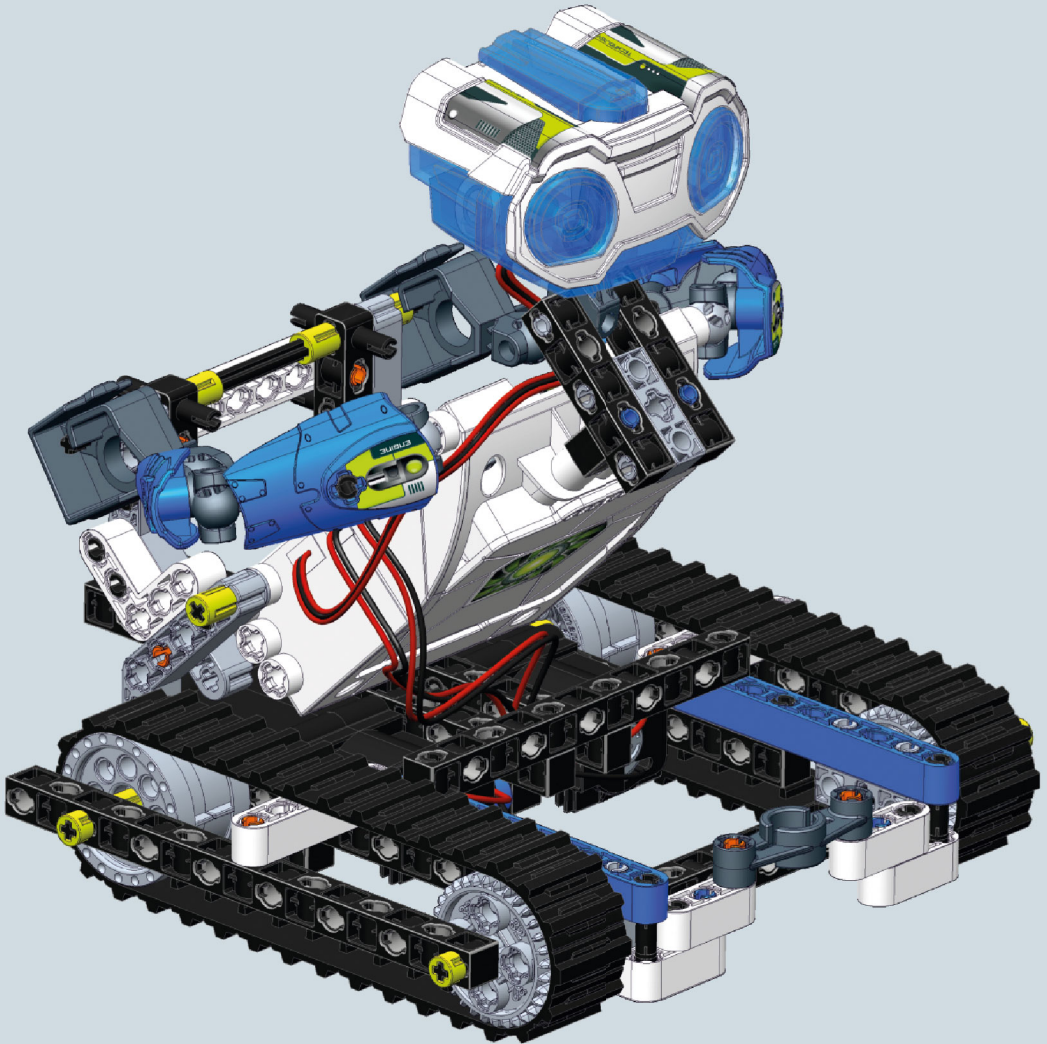
# ROBO MAKER®

il laboratorio di  
robotica educativa

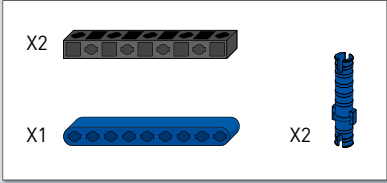
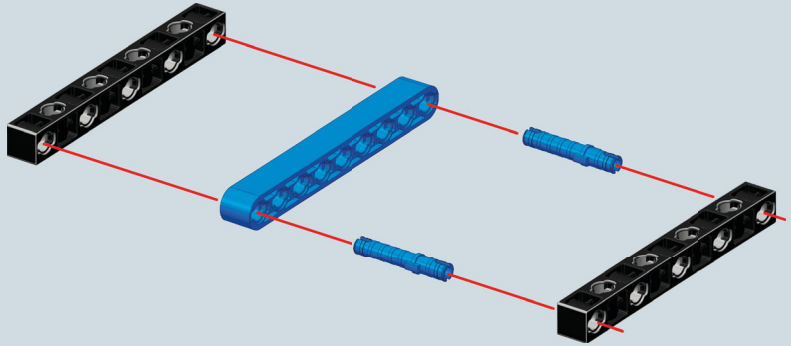


# X1 - DRAWER

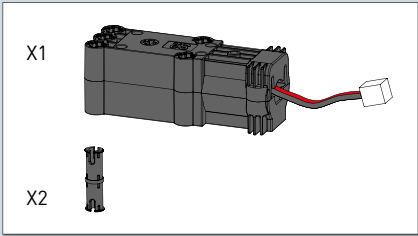
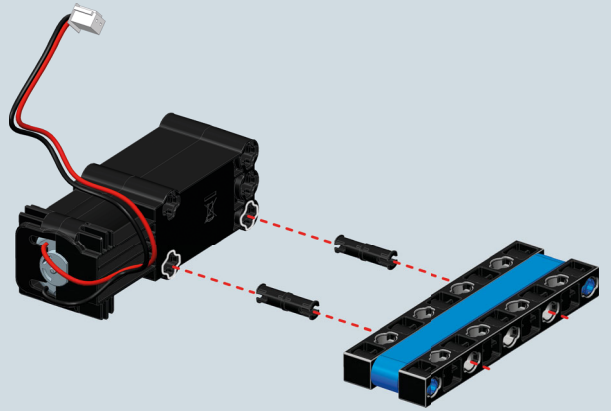
## ACTIVITY 1



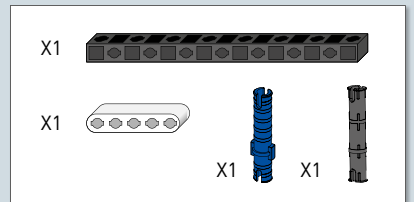
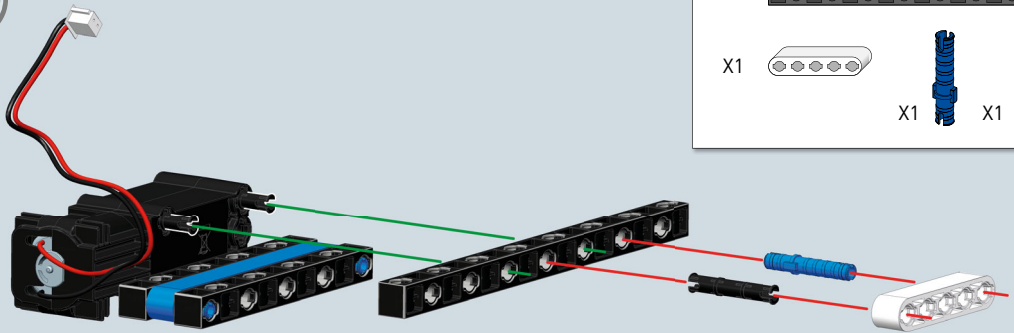
1



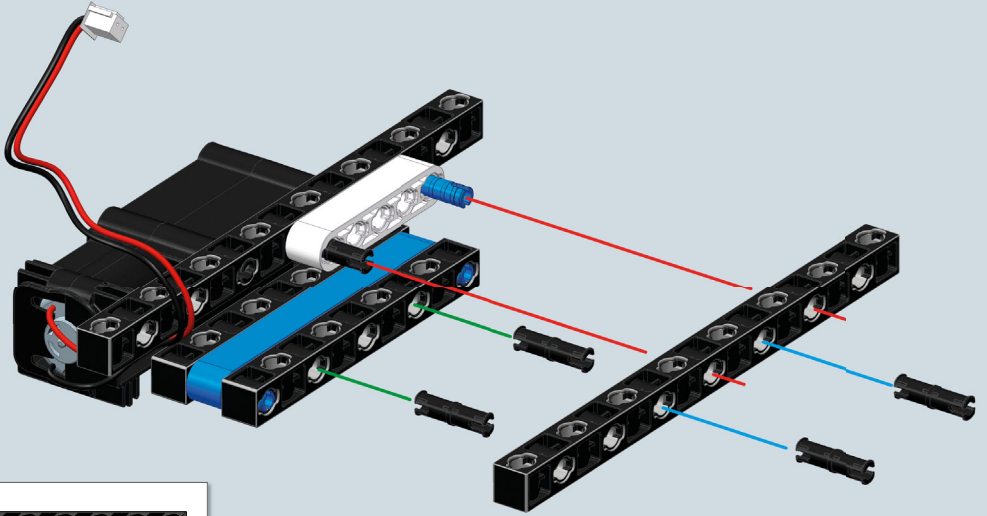
2





3



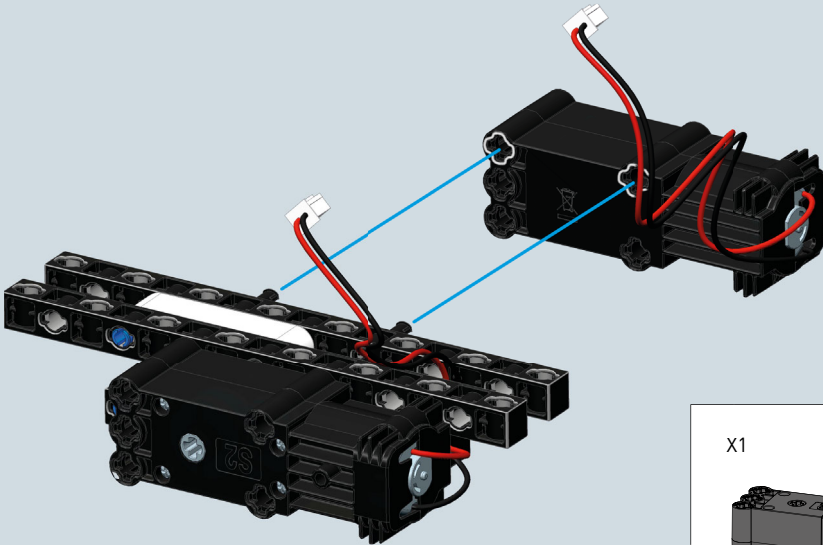
4

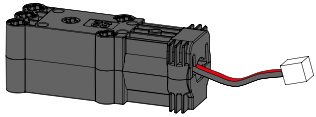


X1 

X4 

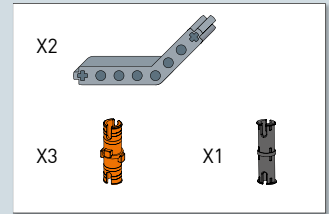
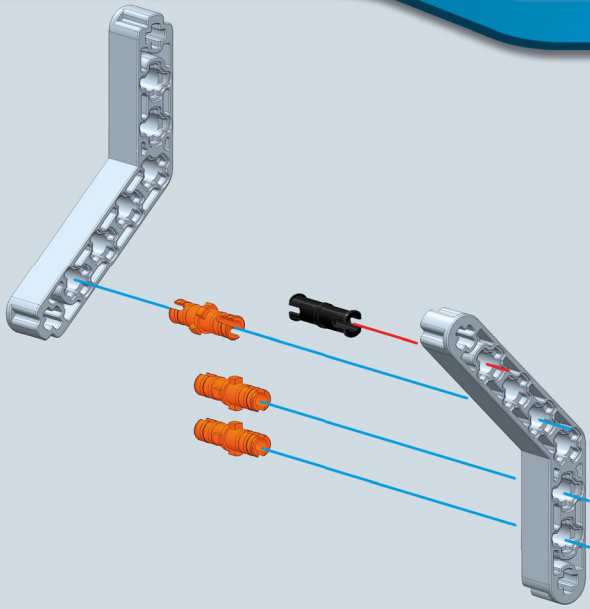
5



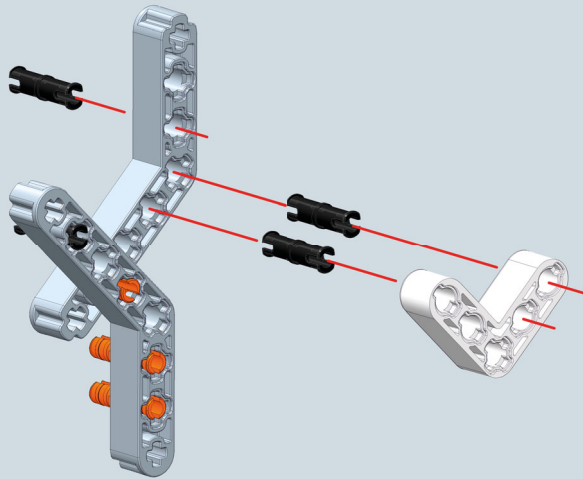
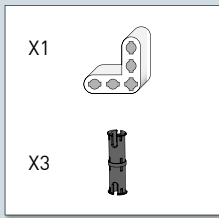
X1 

4

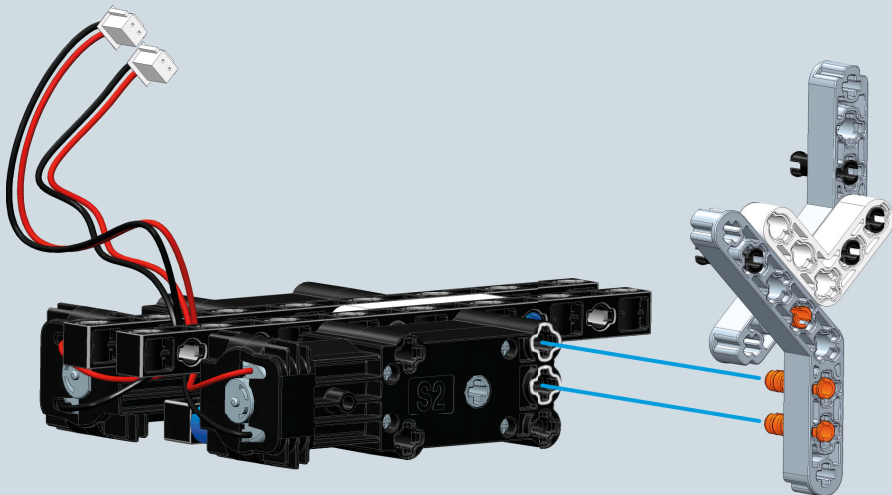
6



7

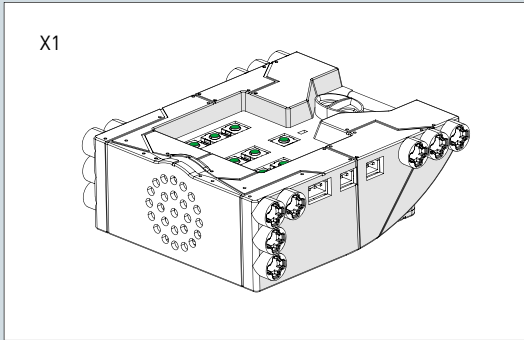
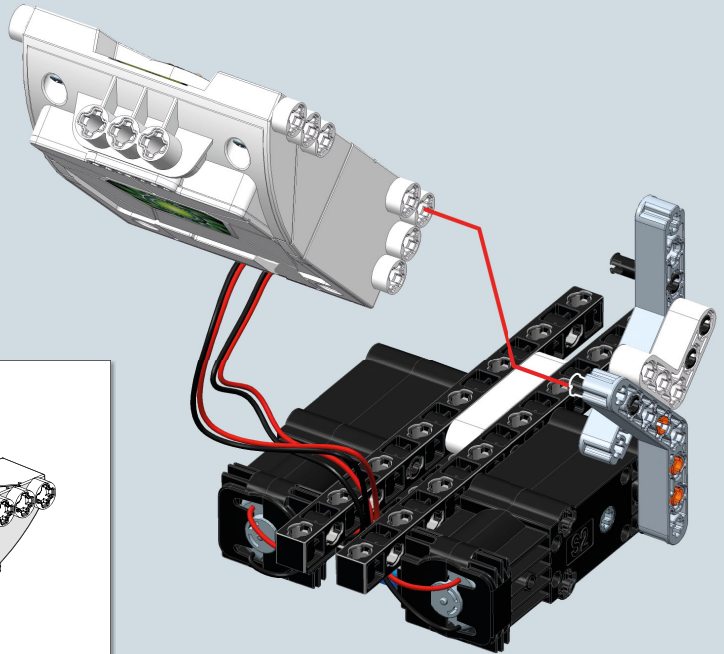


8

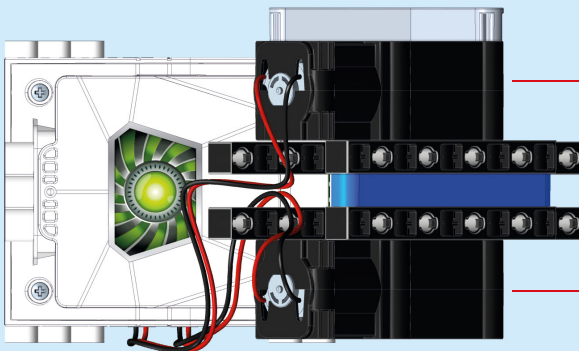
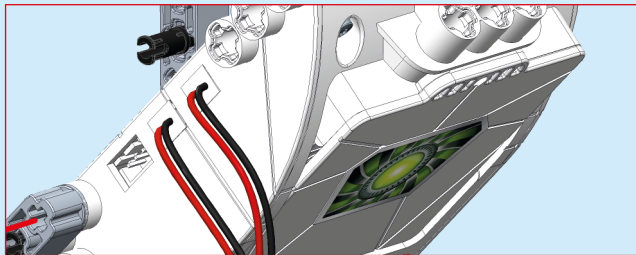


5

9



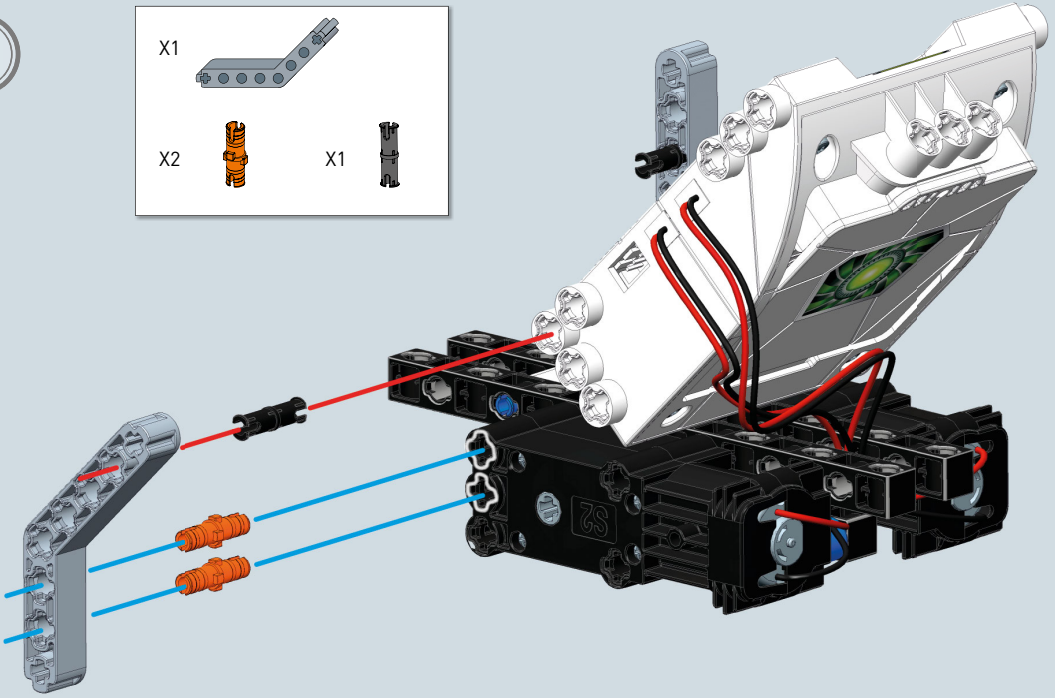
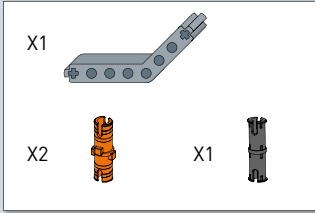
**CONNECT!**



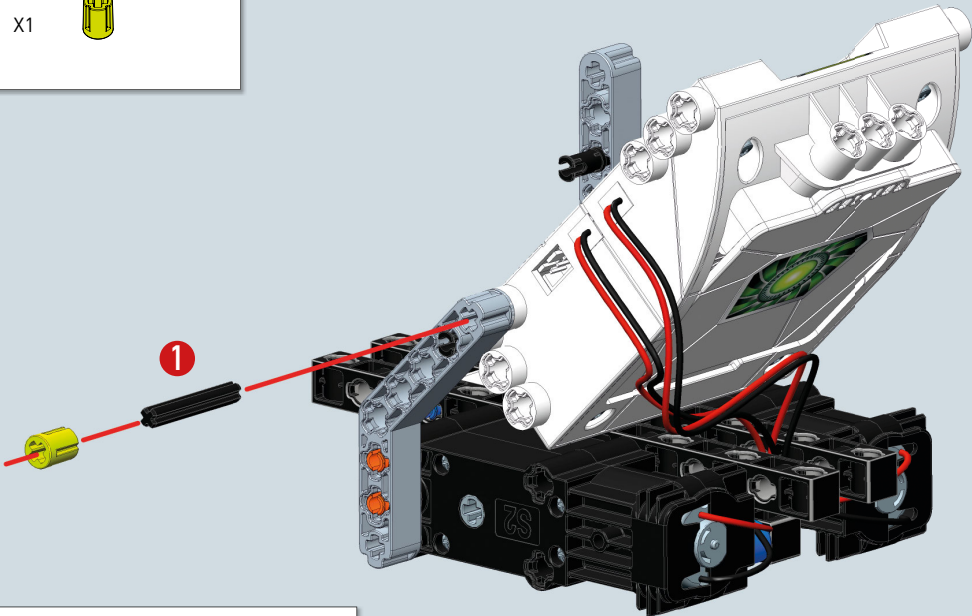
M2

M1

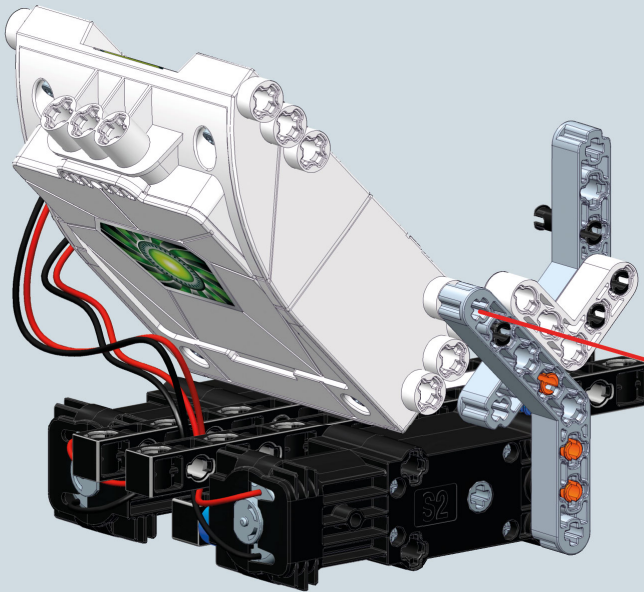
10





11



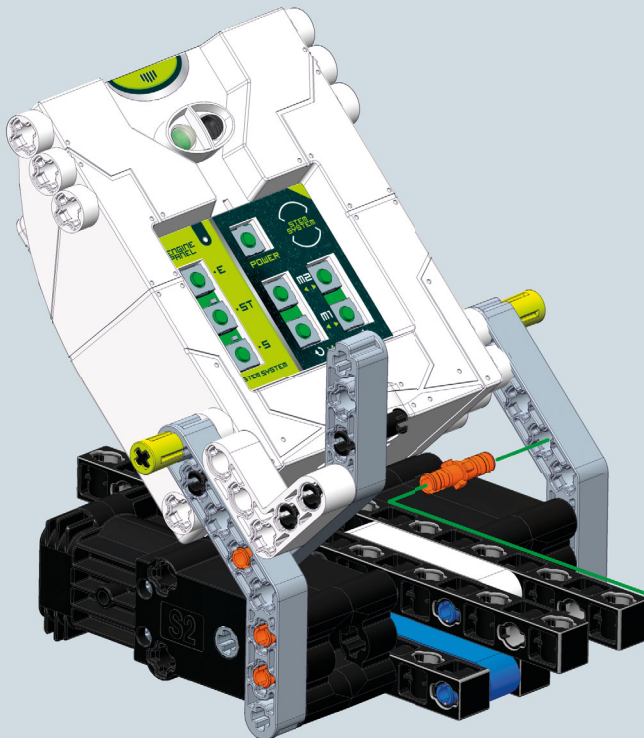
12

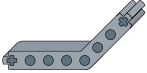




- X1  1
- X1 

1:1  1 2,7 cm

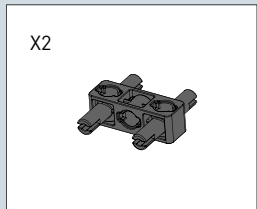
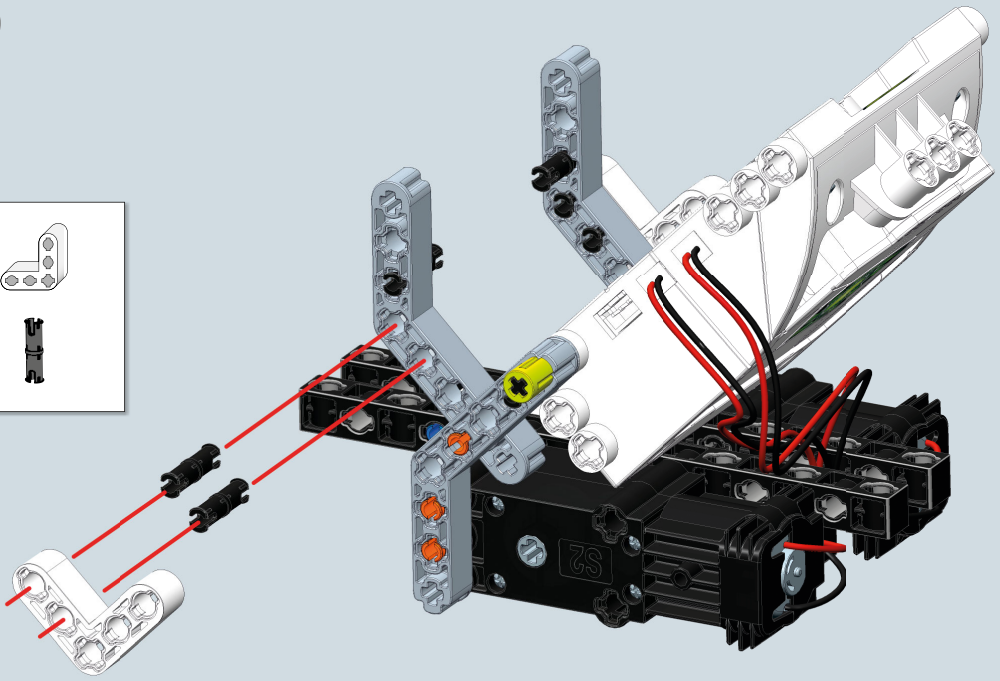
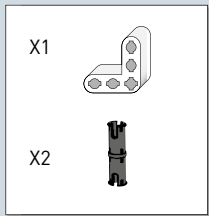
13



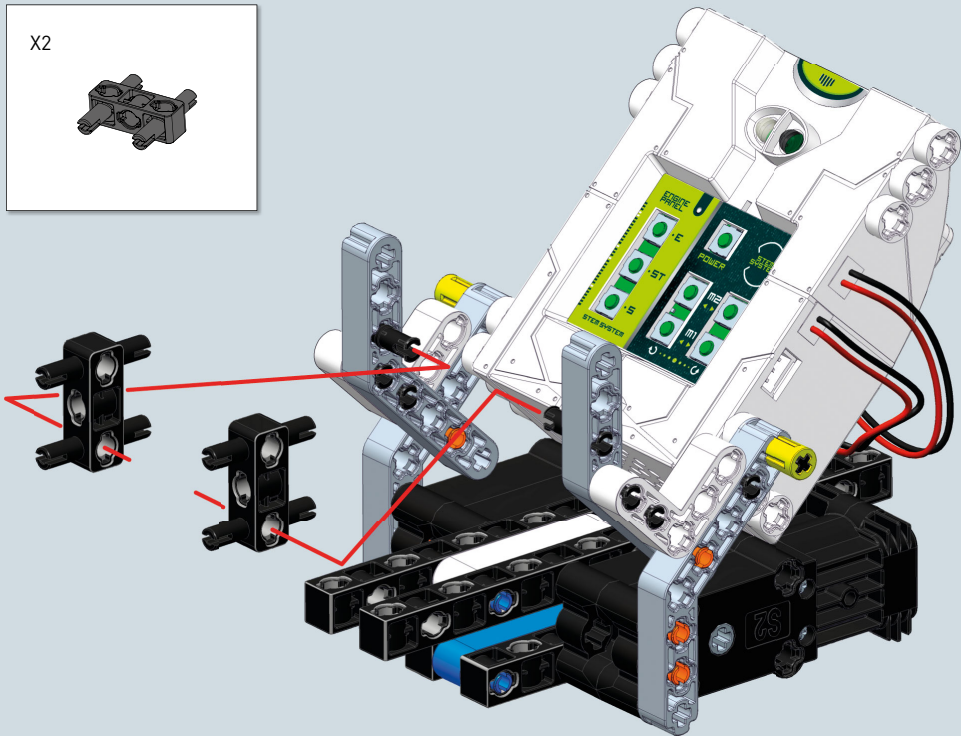
- X1 
- X1 
- X1 



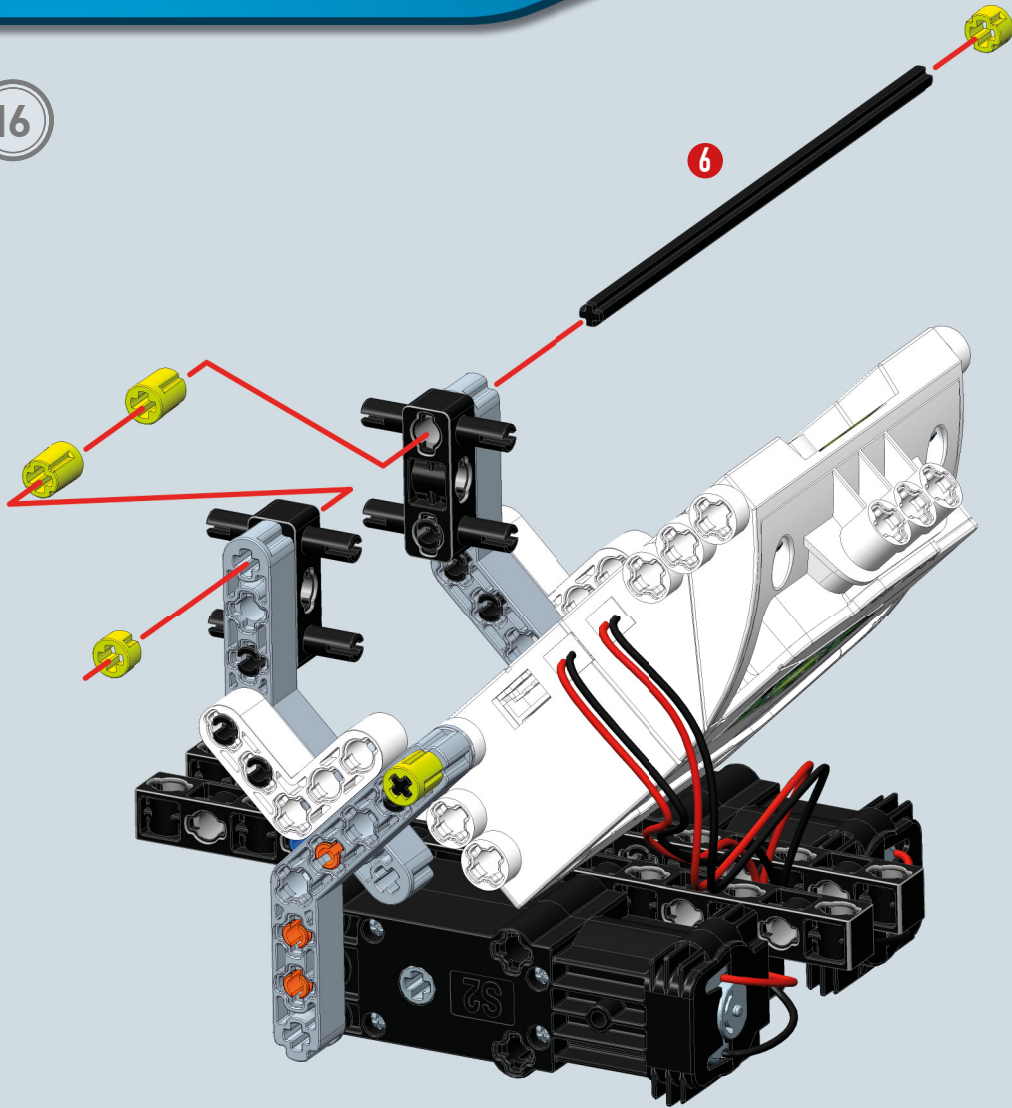
14






15

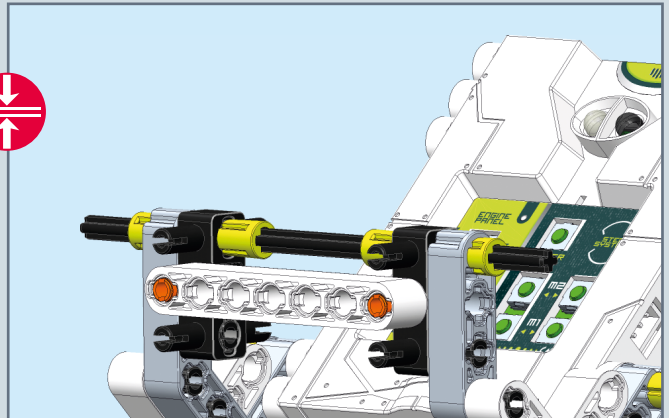


16



X1  6

X2  X2 

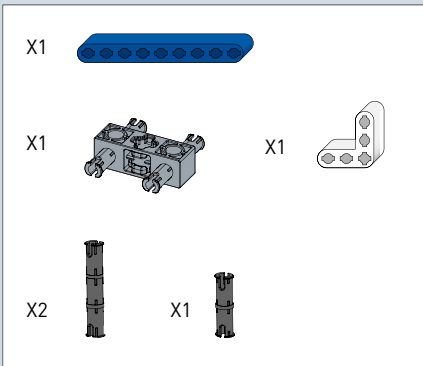
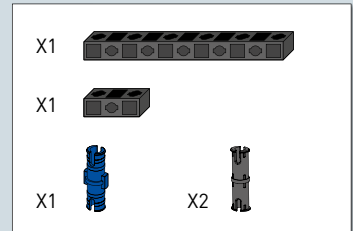
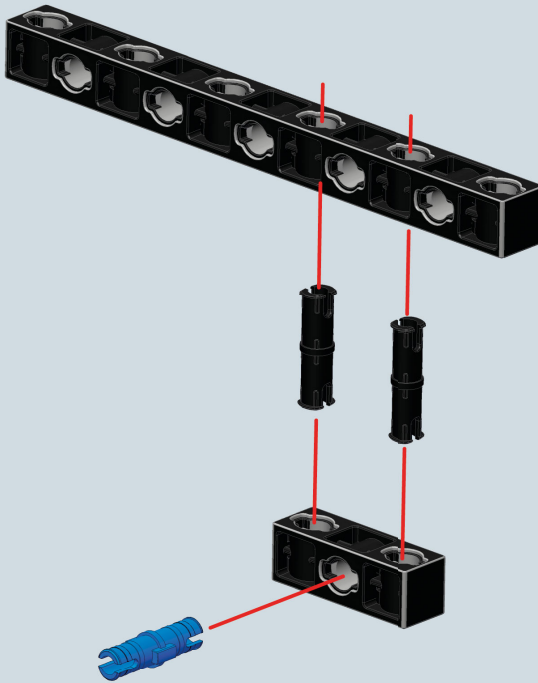


1:1

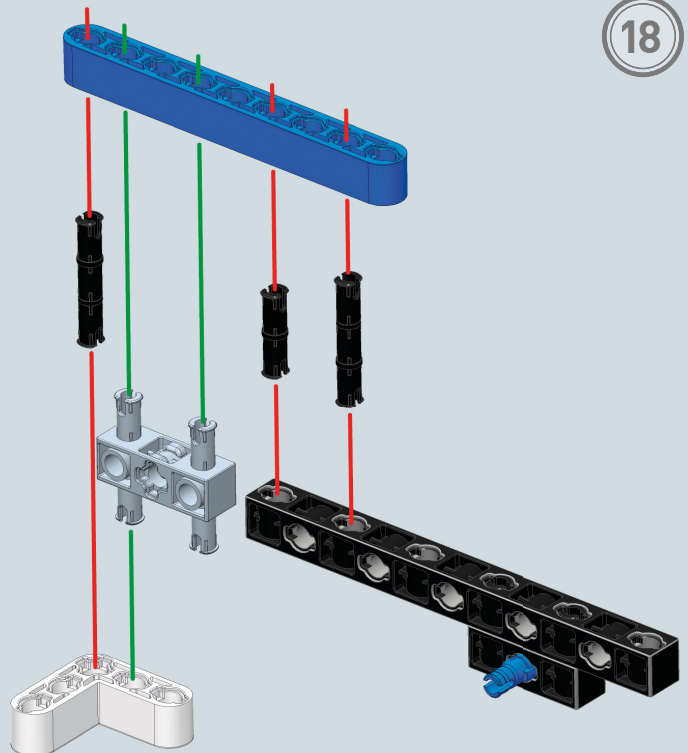


11,7 cm

17

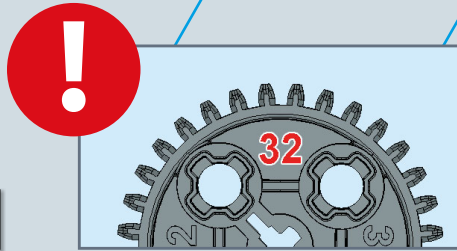
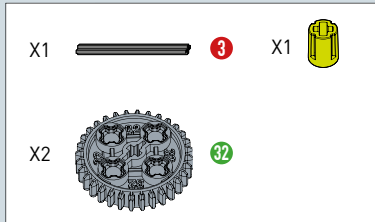
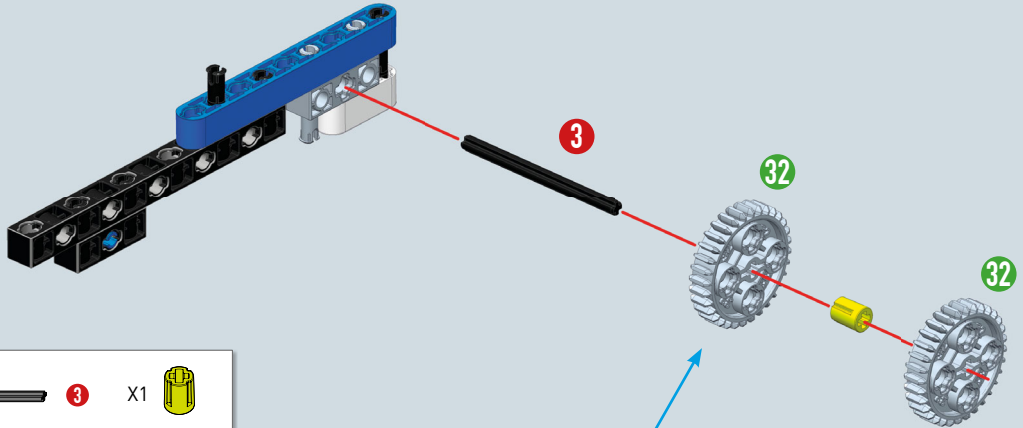


18

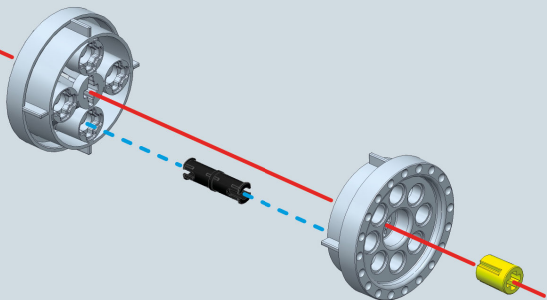
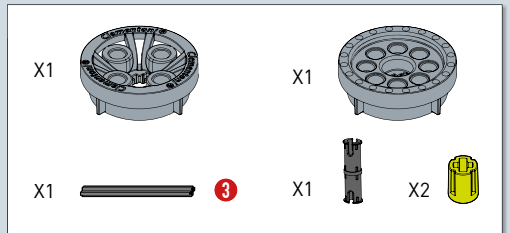
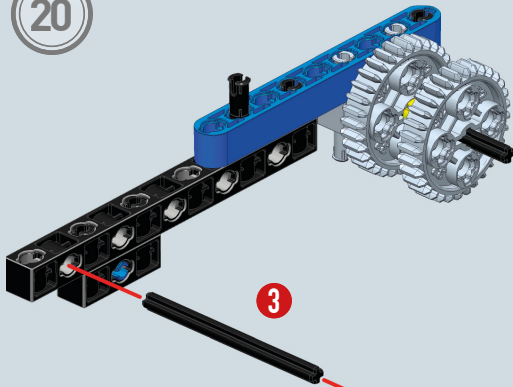


11

19

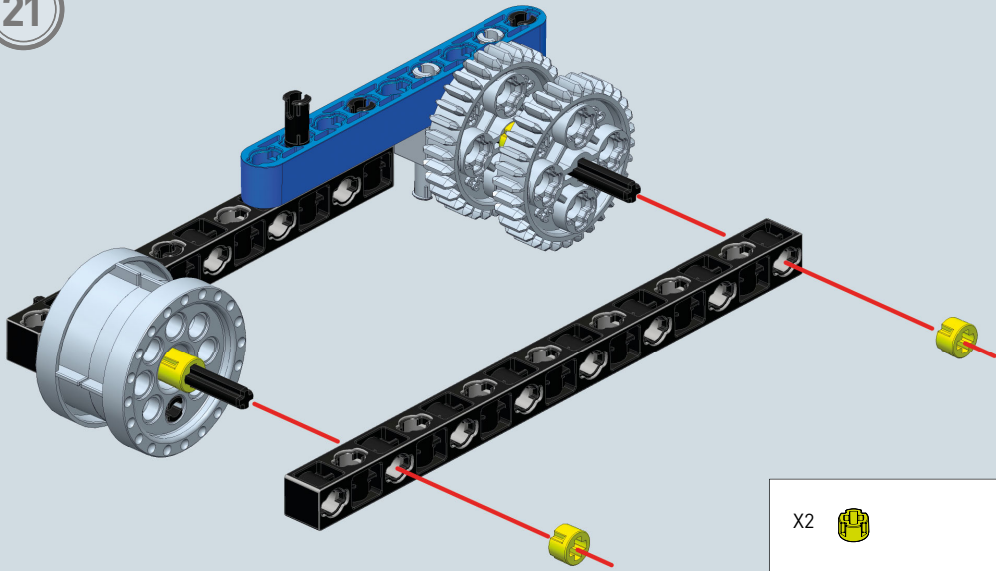




20



12

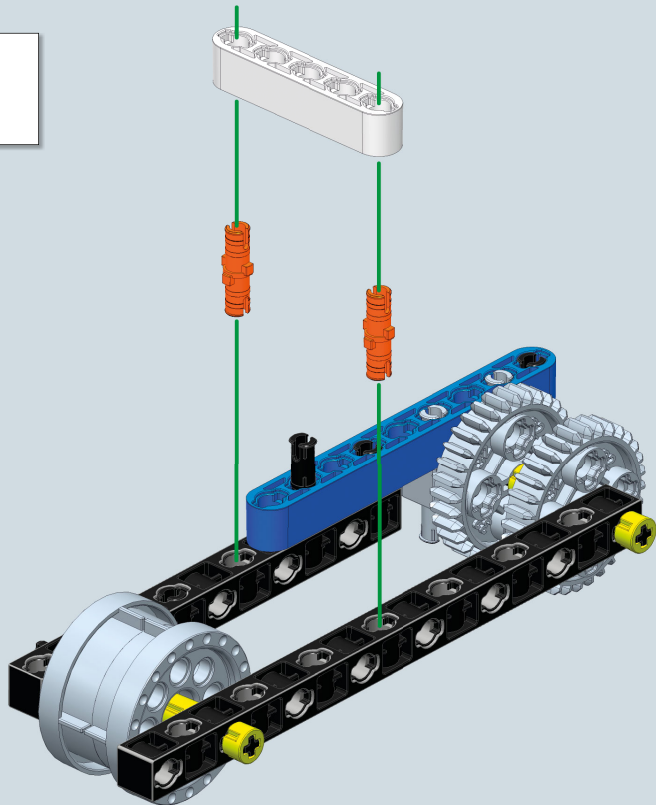
21



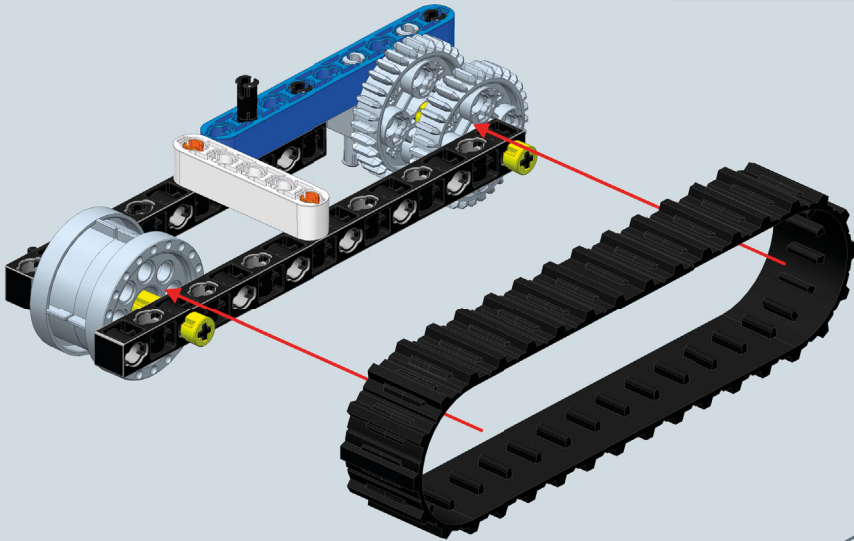
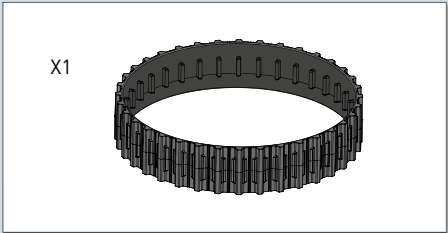
- X2 
- X1 

- X2 
- X1 

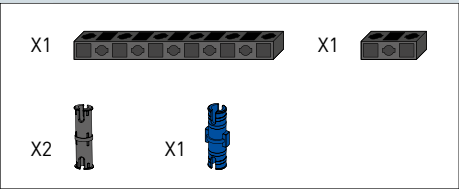
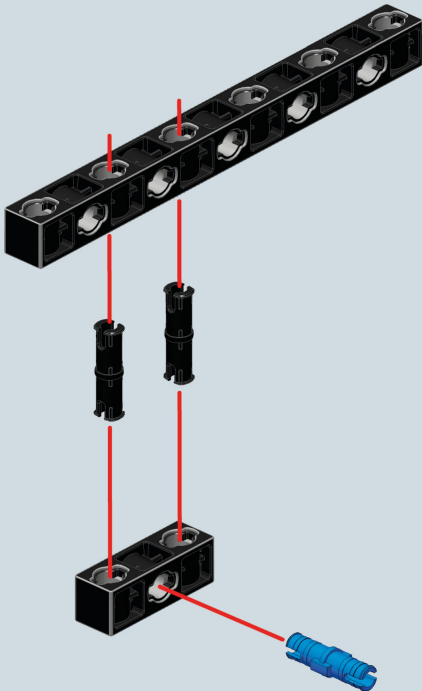
22



23

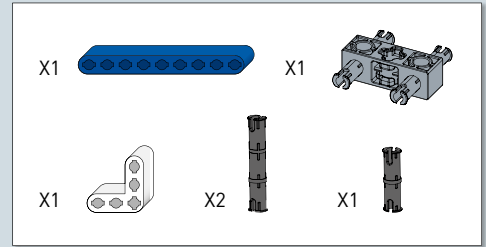
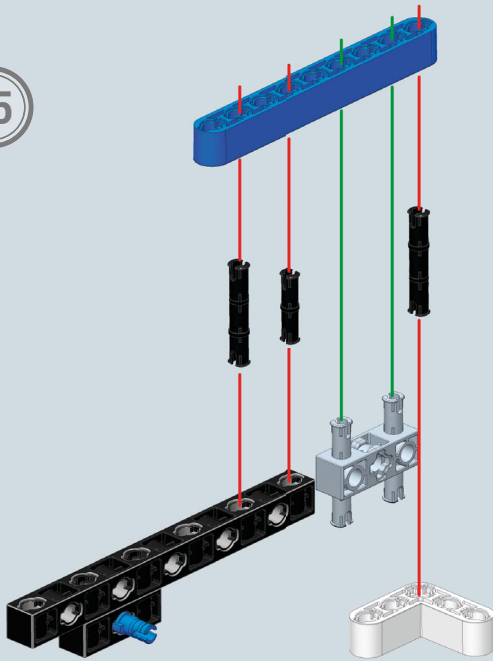


24

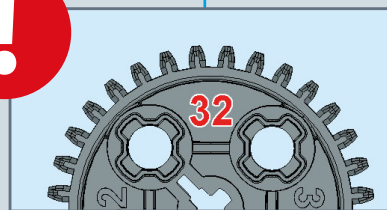
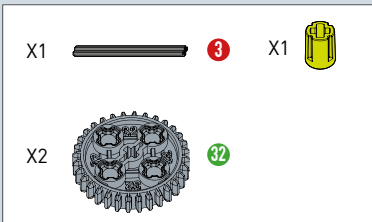
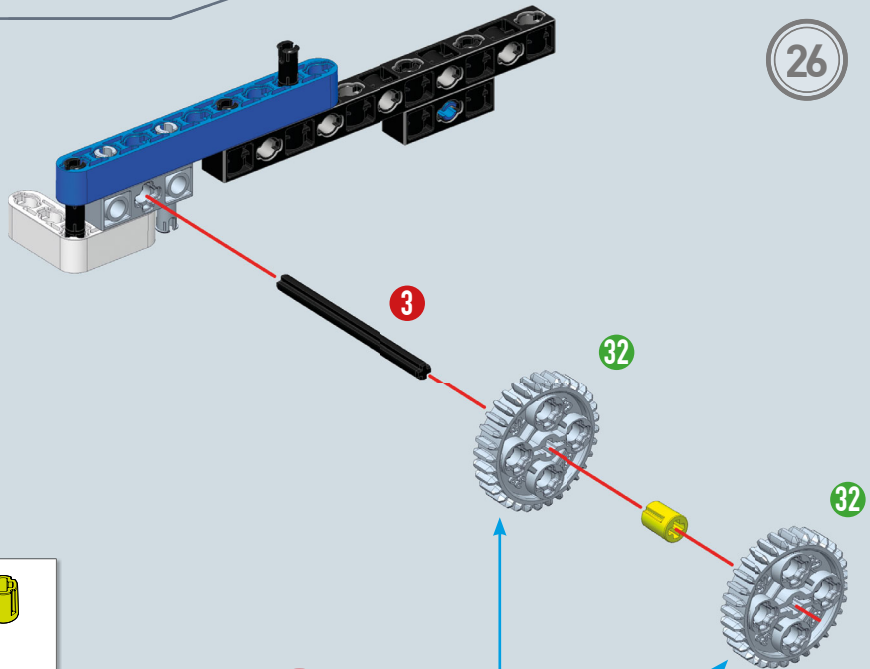


14

25

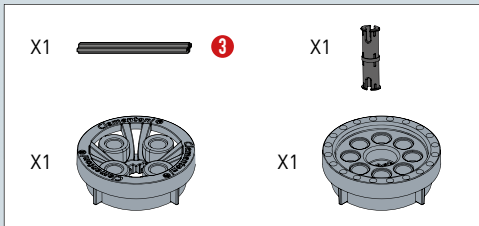
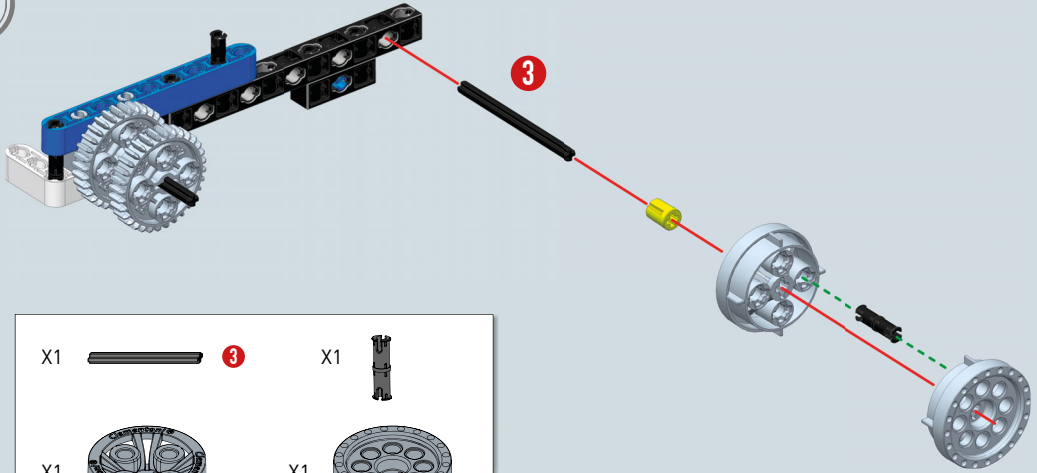


26

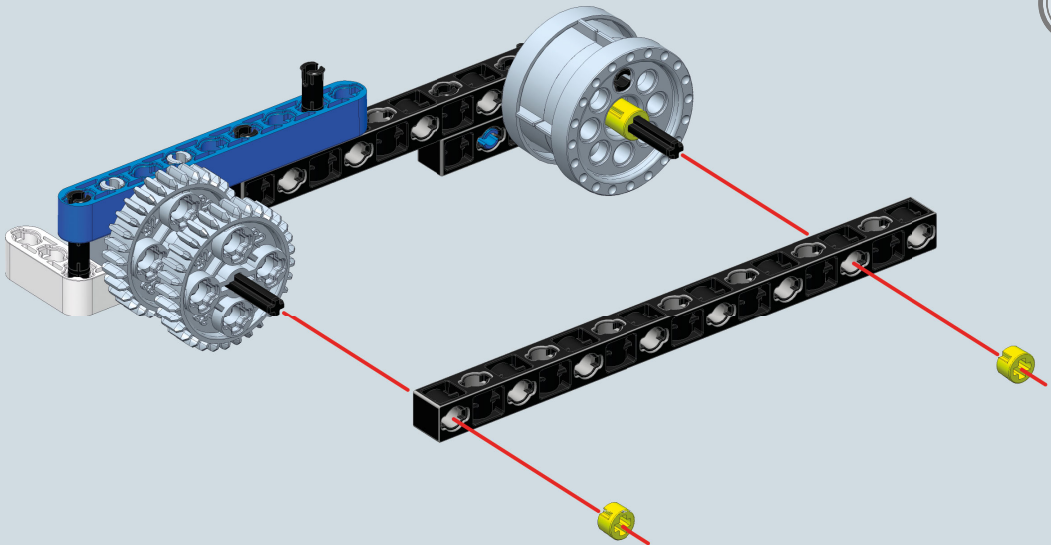


15

27



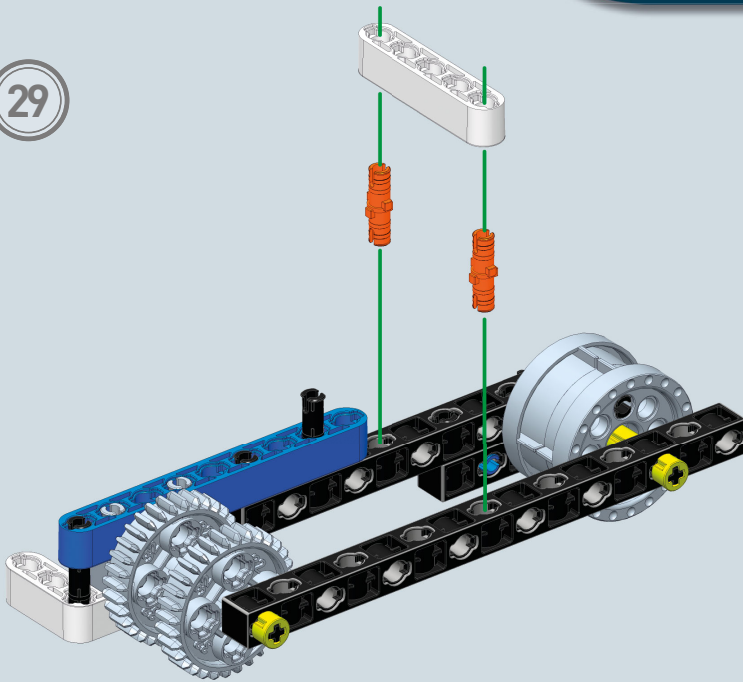
28



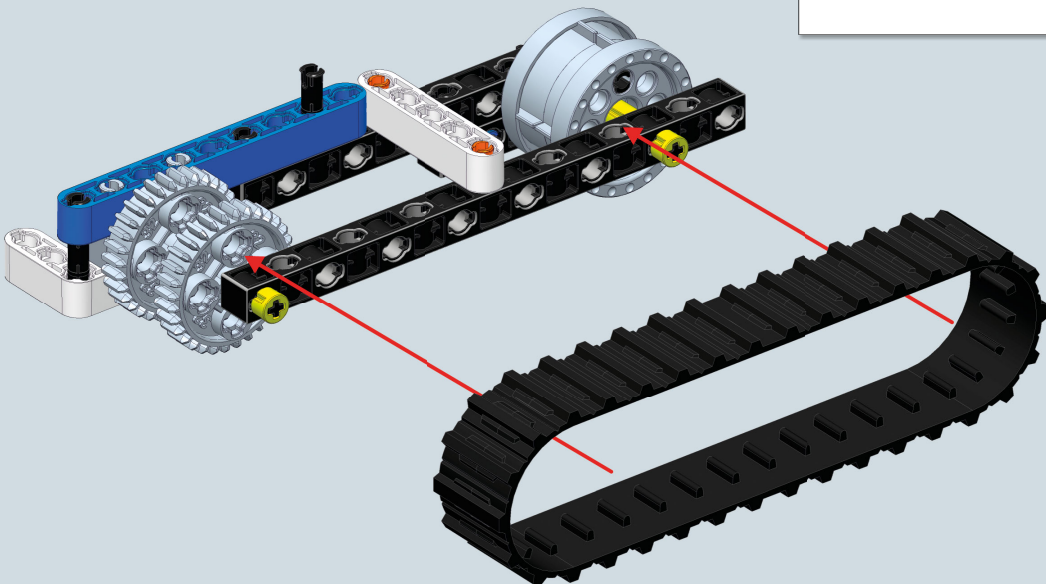
16



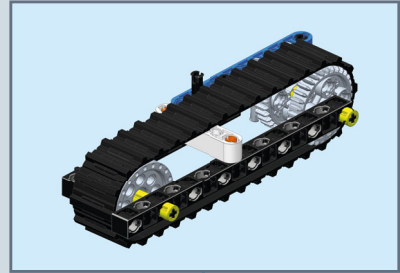
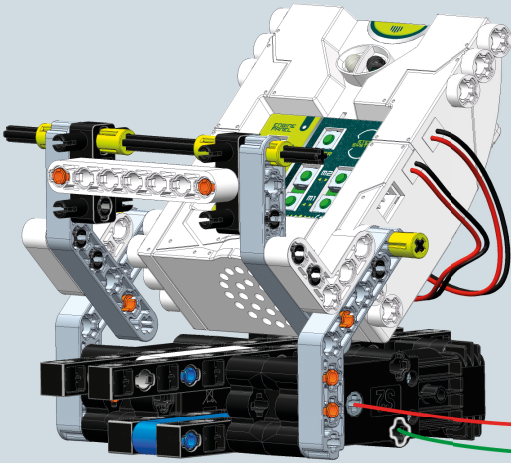
29



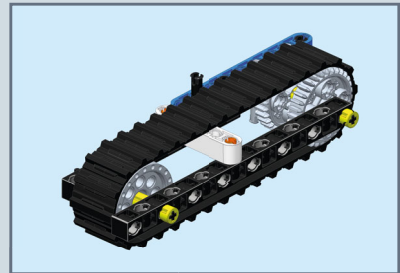
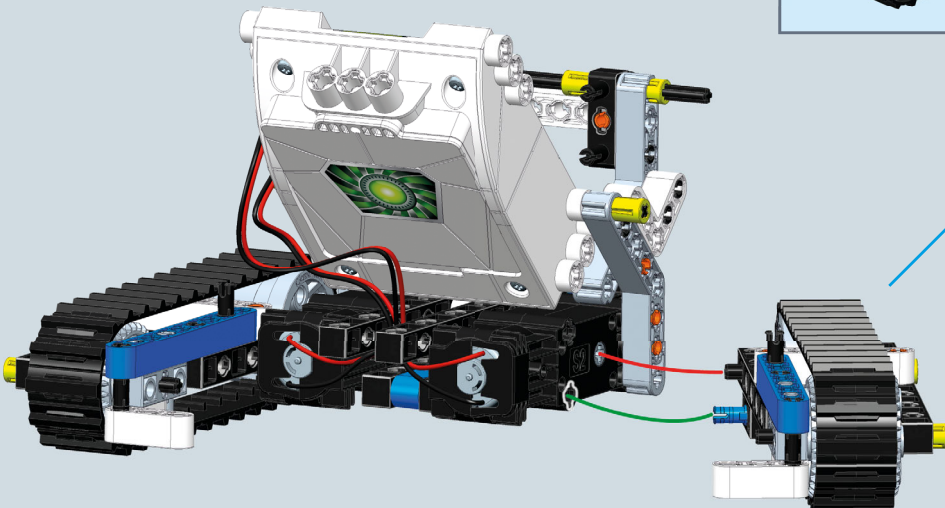
30



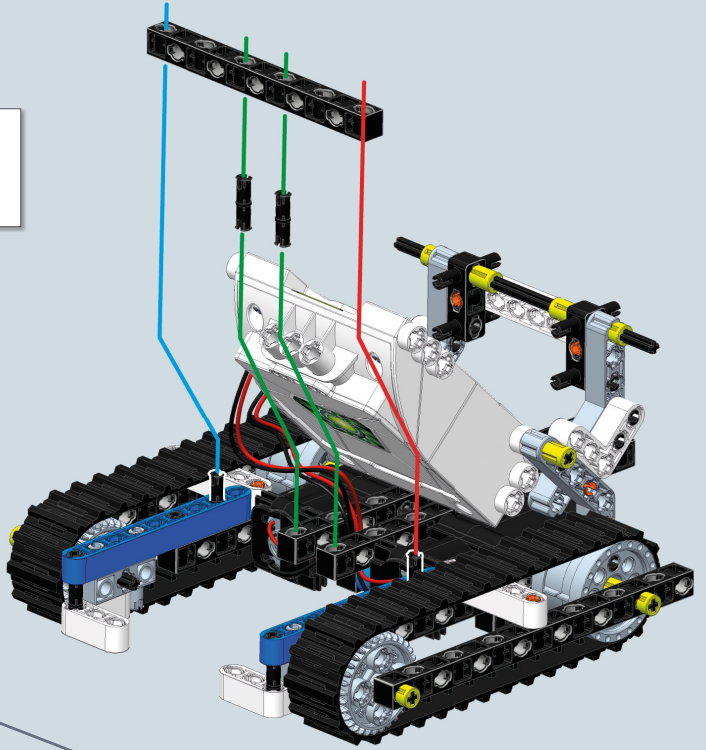
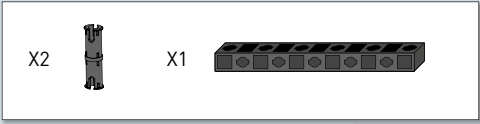
31



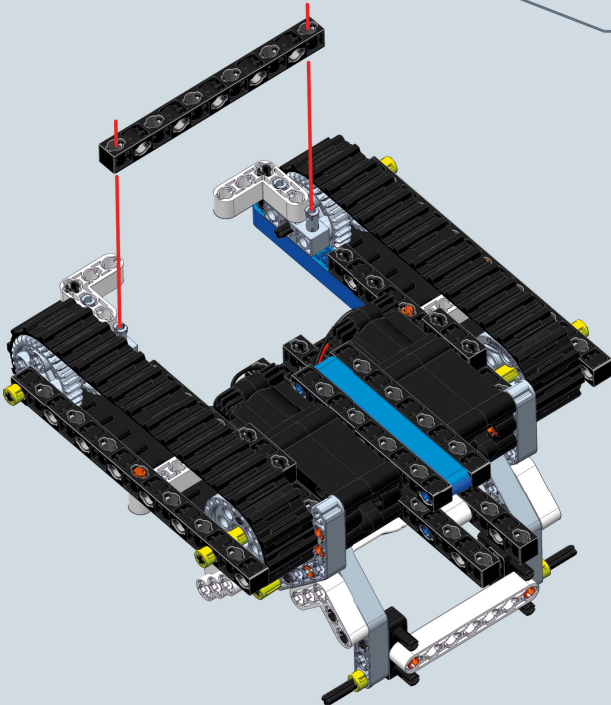
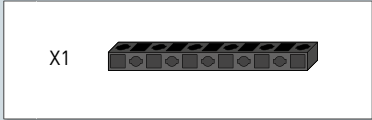
32



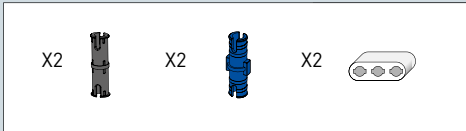
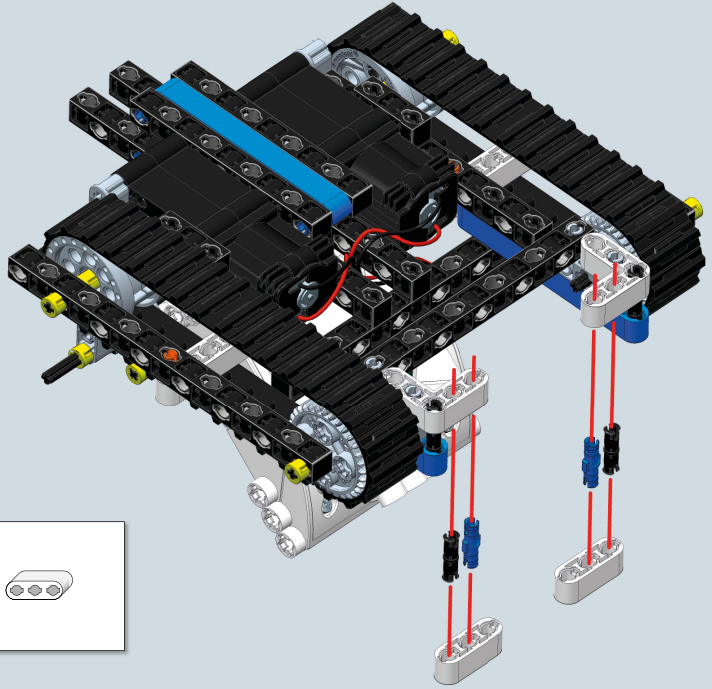
33



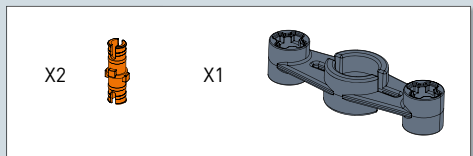
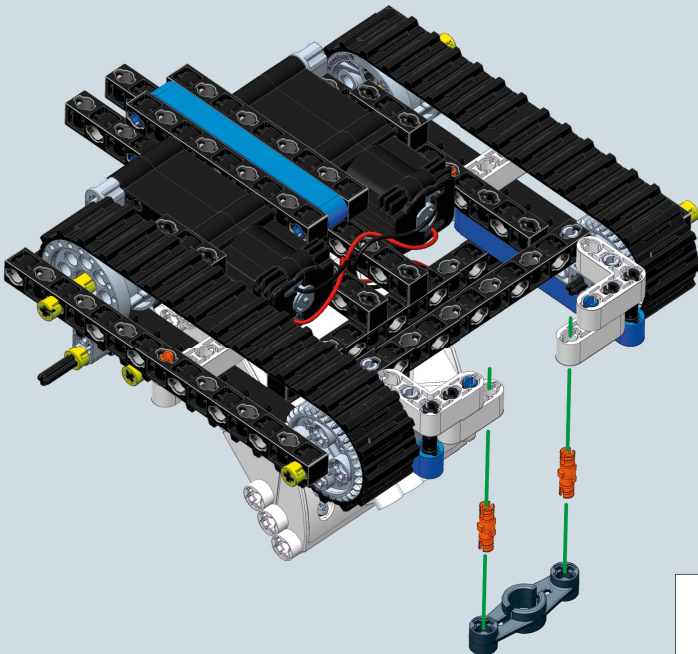
34



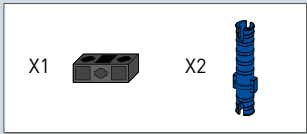
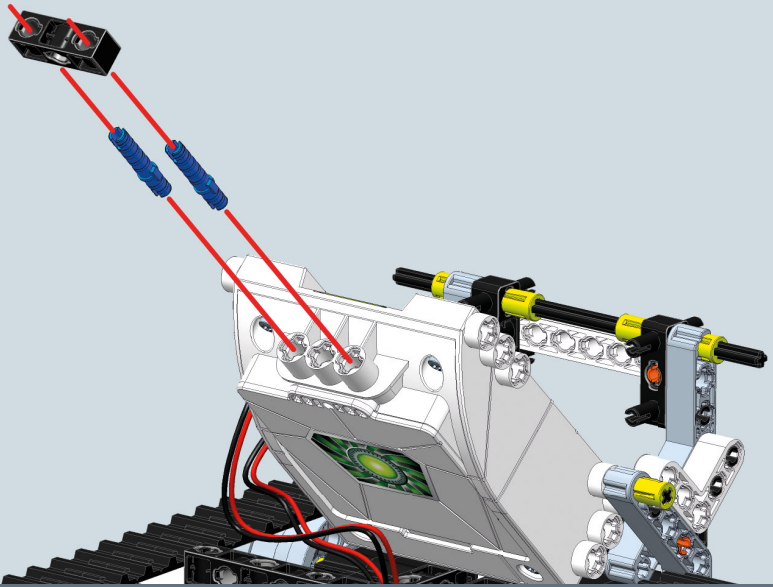
35



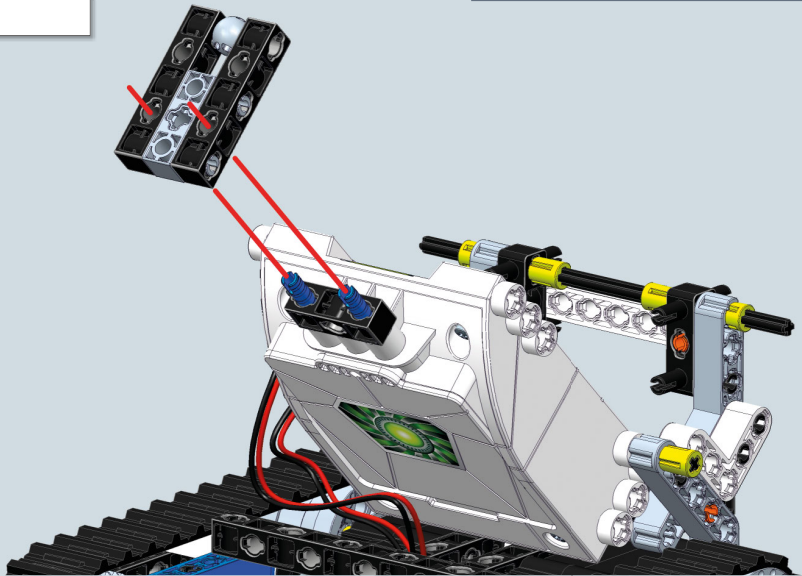
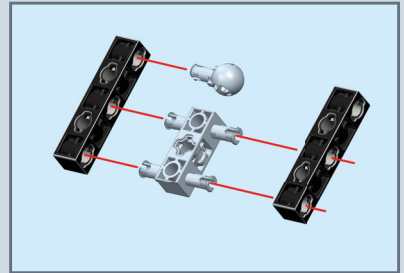
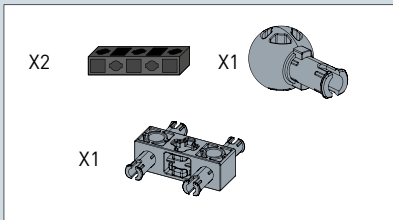
36



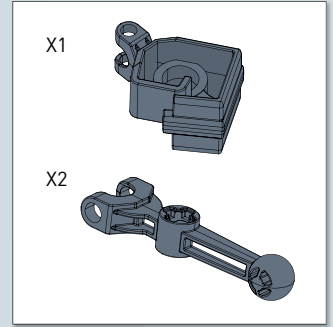
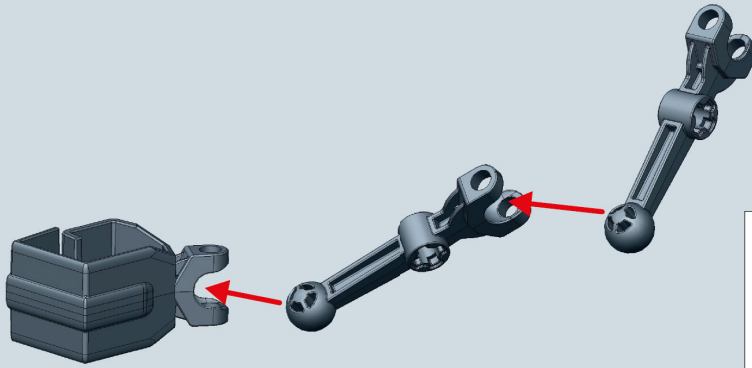
37



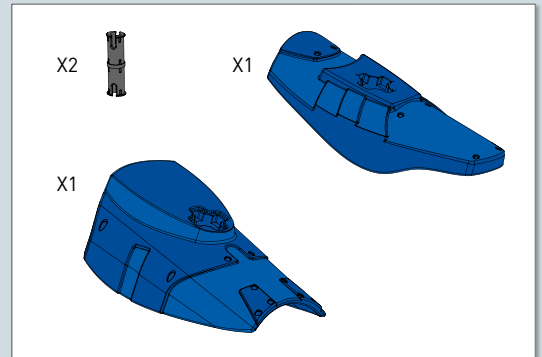
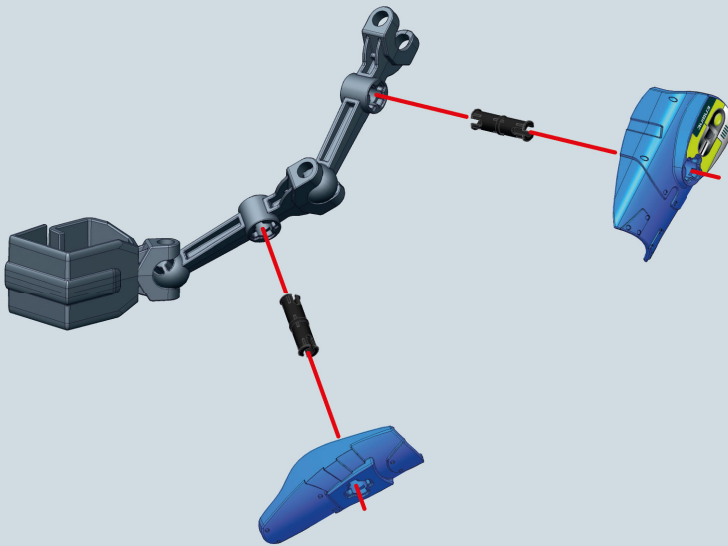
38



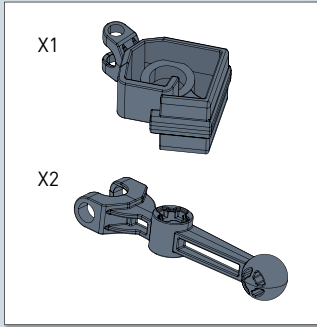
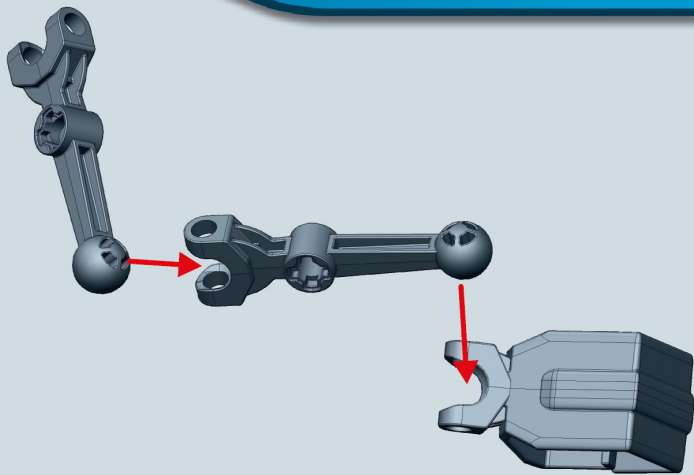
39



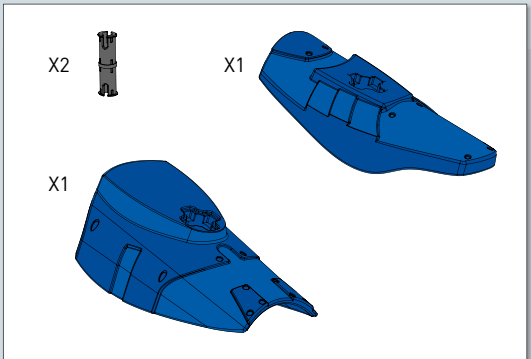
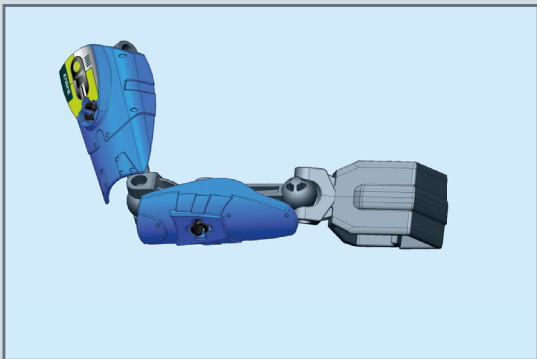
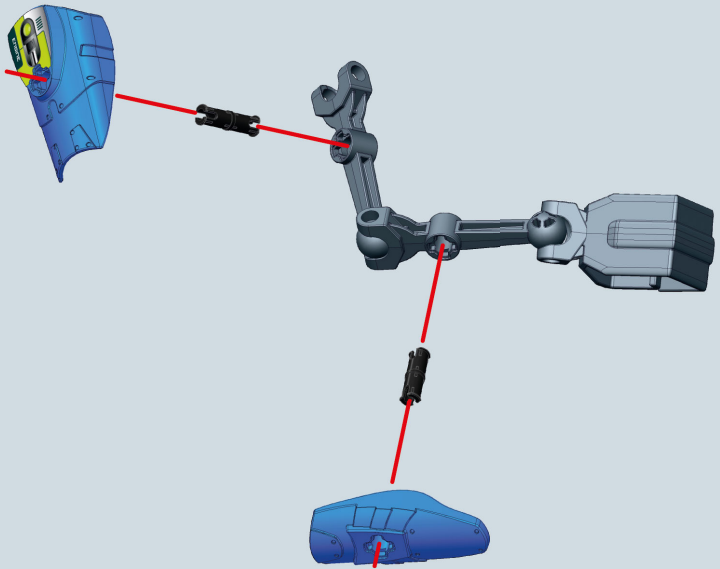
40



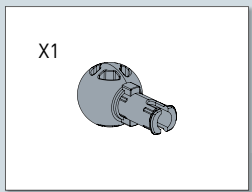
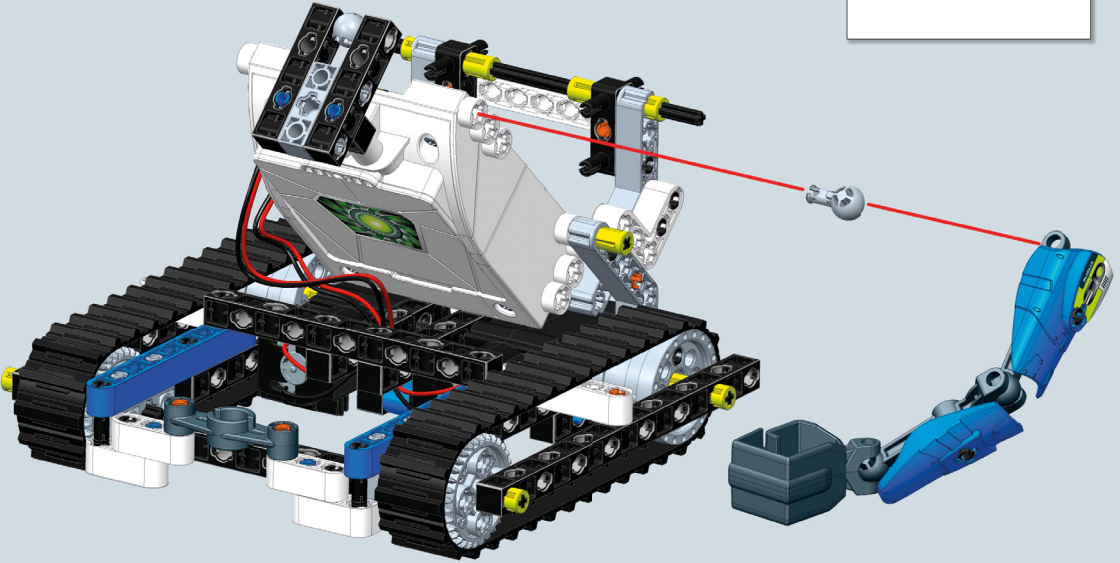
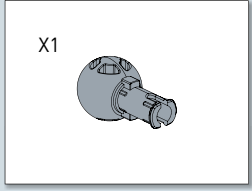
41



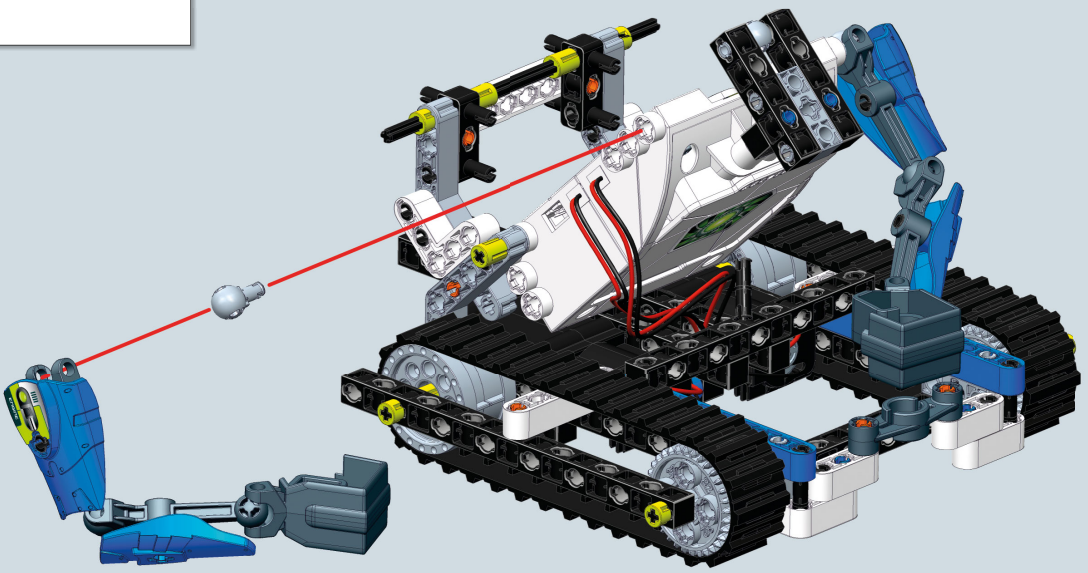
42



43

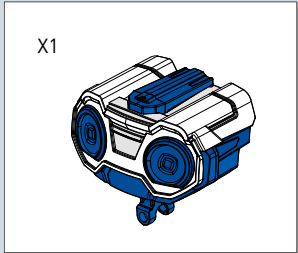
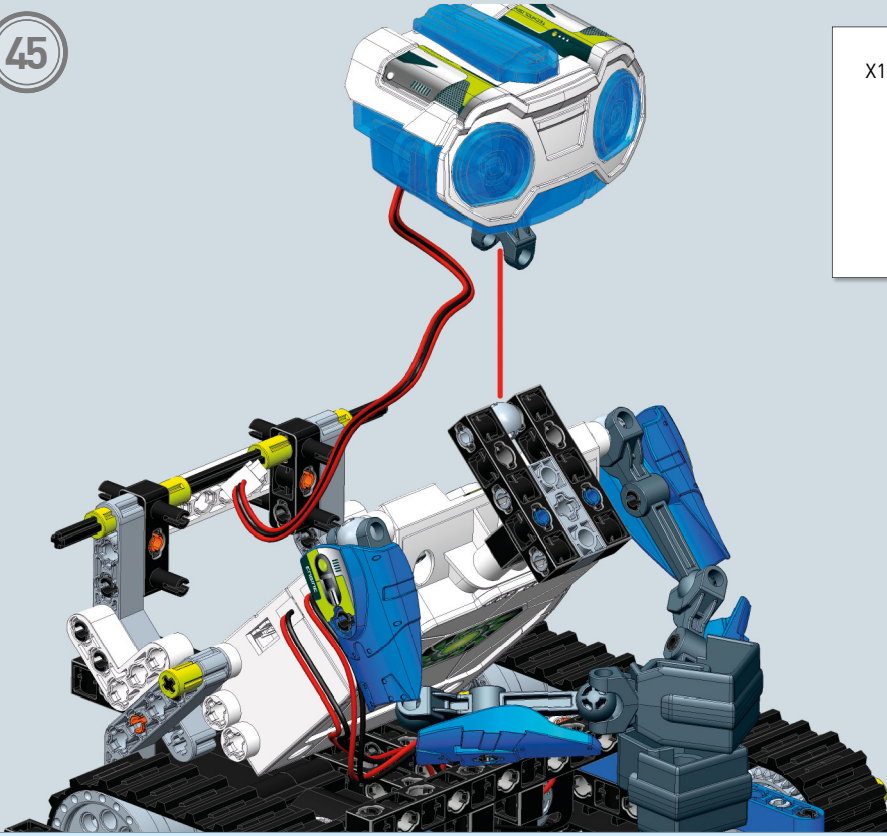


44

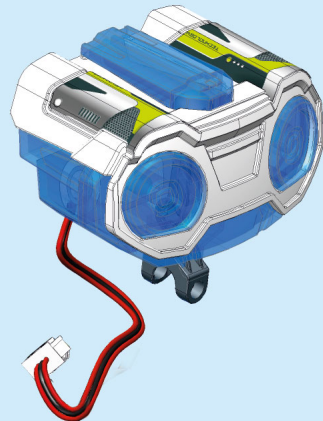
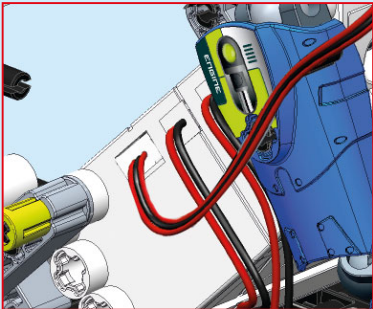




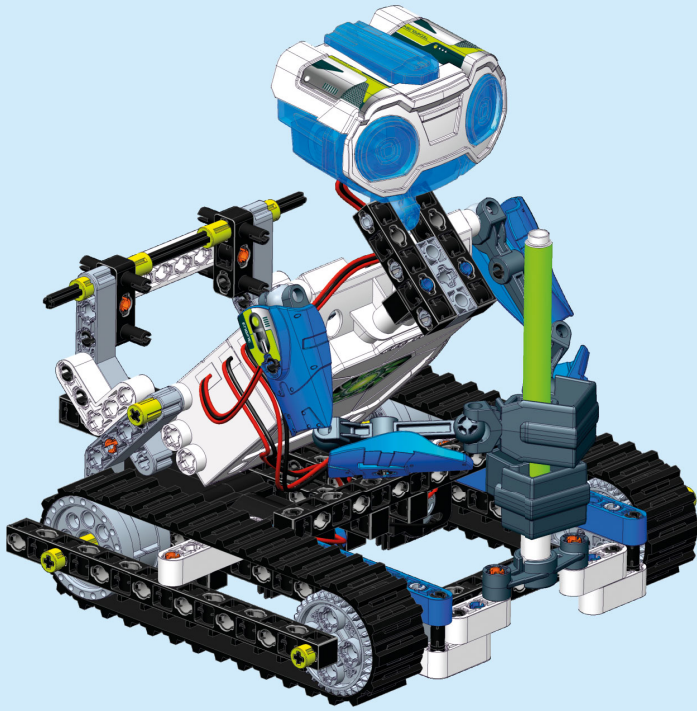
45



**CONNECT!**

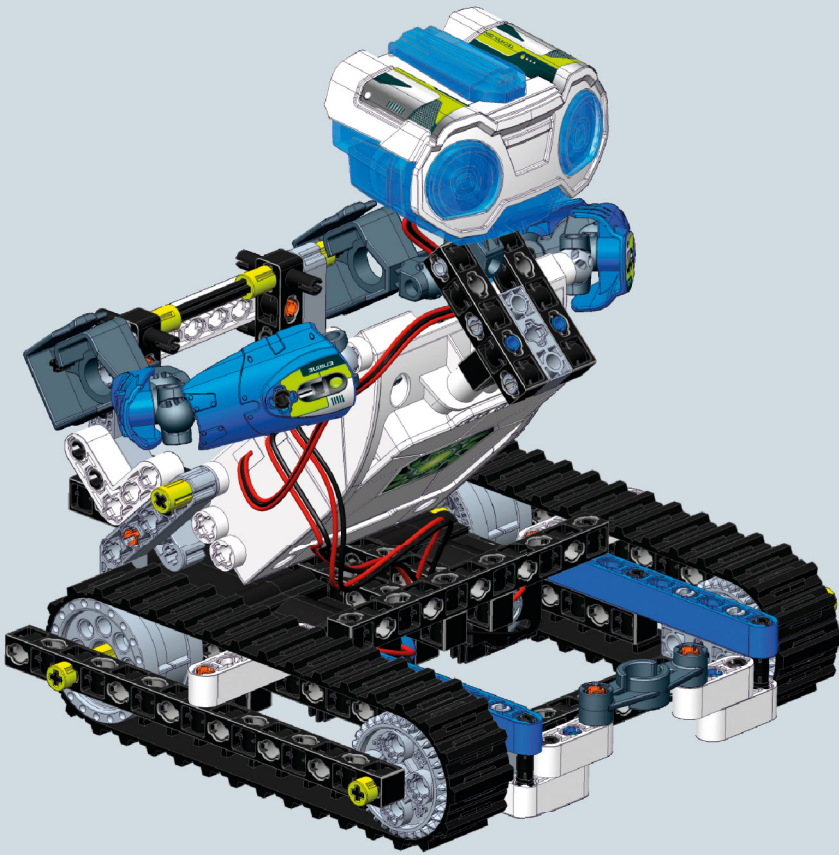


**LED**

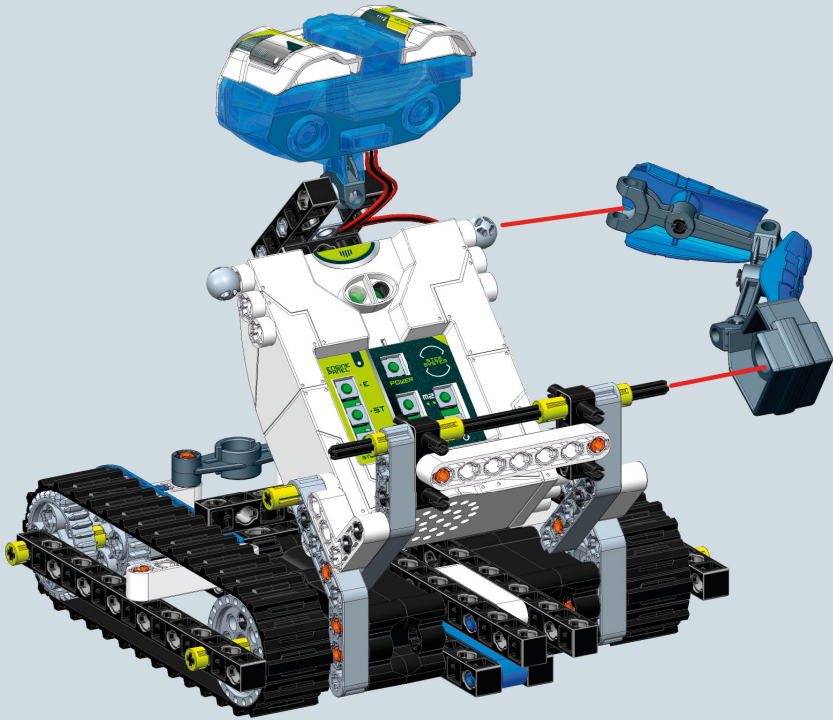


# X1 - DRAWER

## ACTIVITY 2



1



2

