

# ROBO MAKER®

il laboratorio di  
robotica educativa

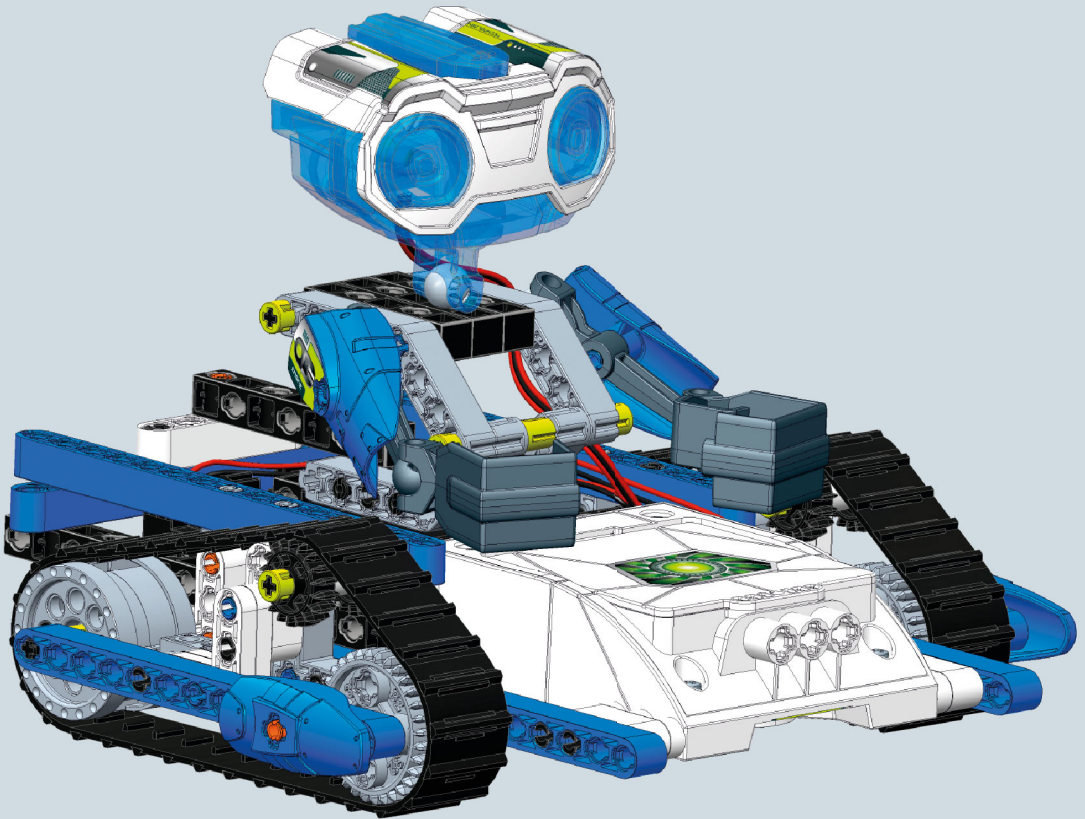


digital

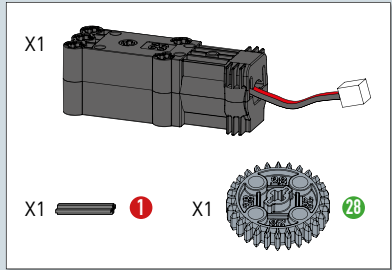
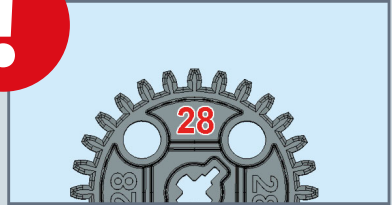
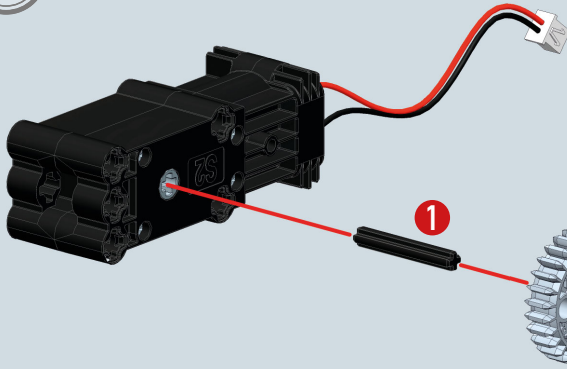


# X3 - ANALYZER

## ACTIVITY 1

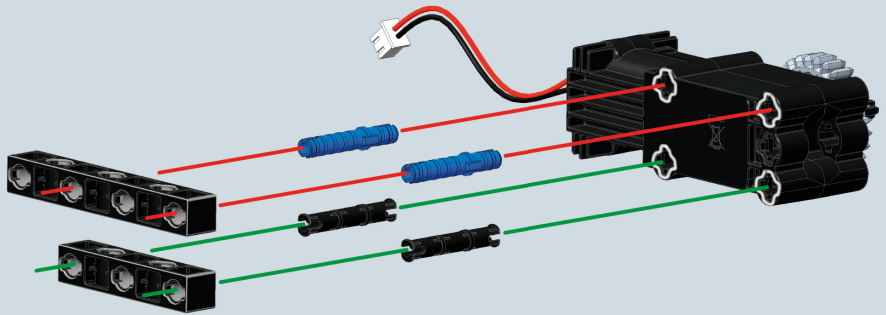
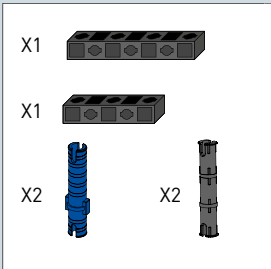


1

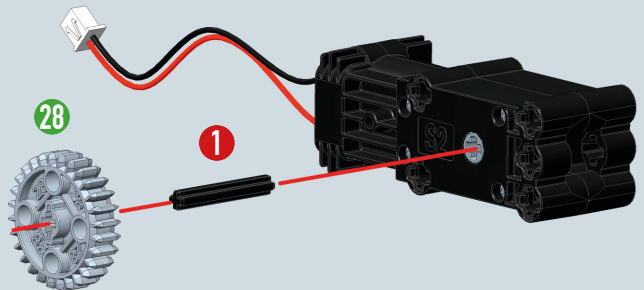
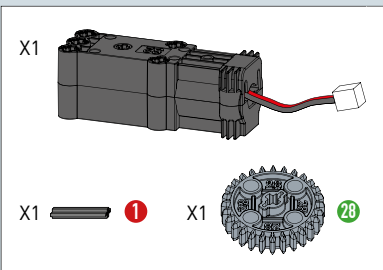
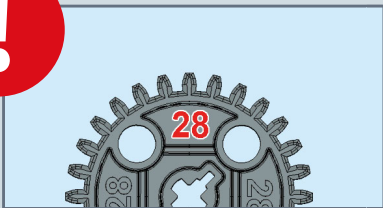


1:1  2,7 cm

2



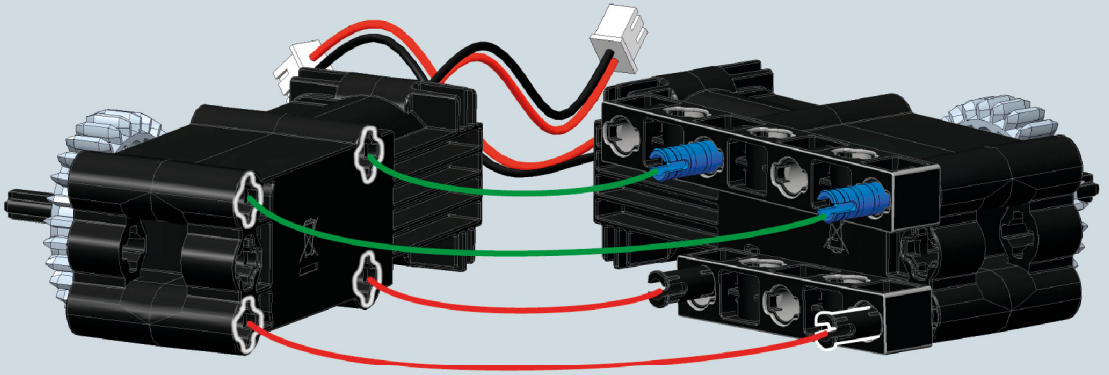
3



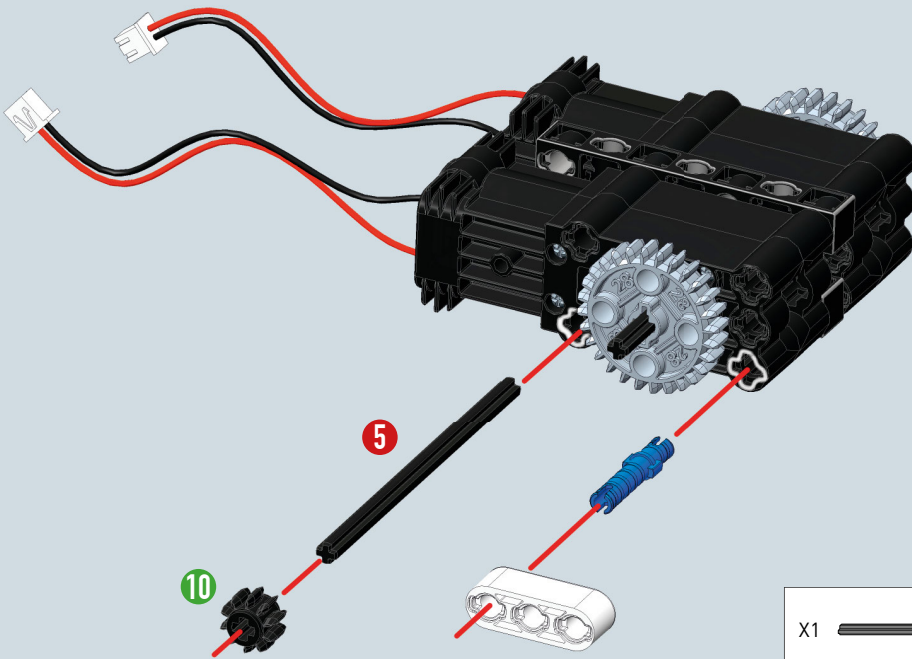
1:1  2,7 cm

3

4



5



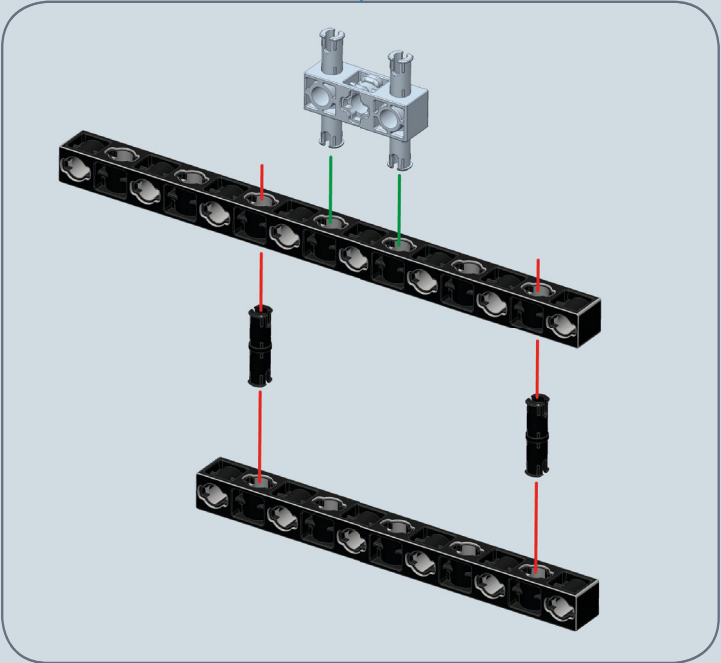
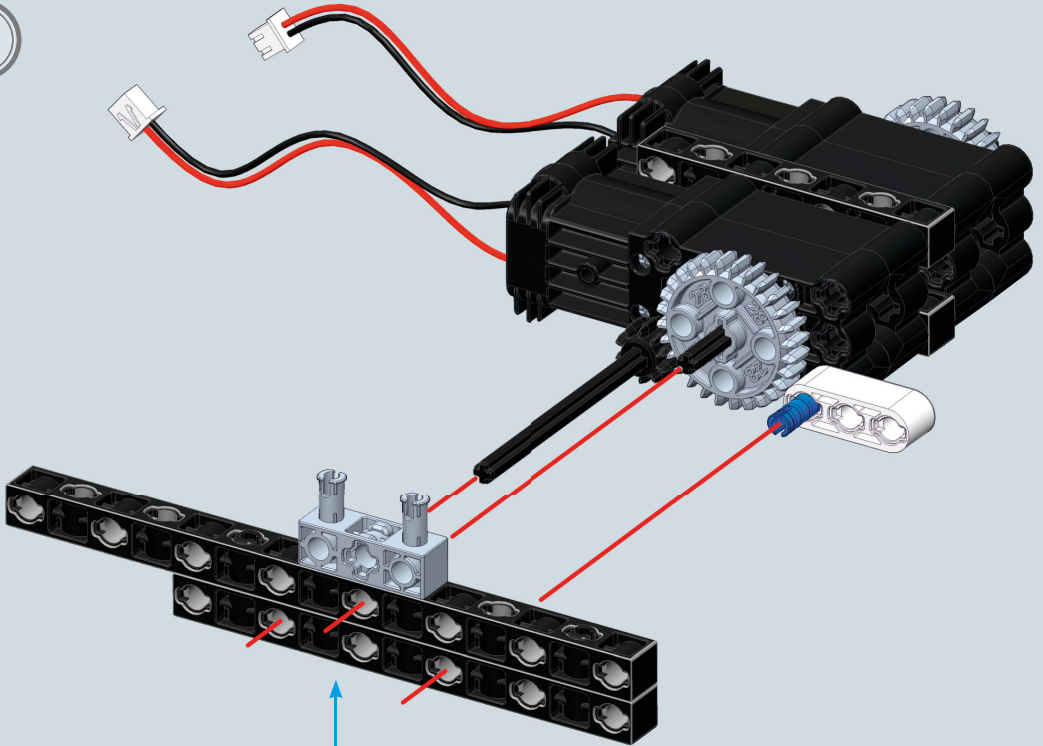
X1		5	
X1		10	
X1			X1




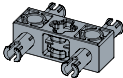
1:1 5 8,1 cm

4

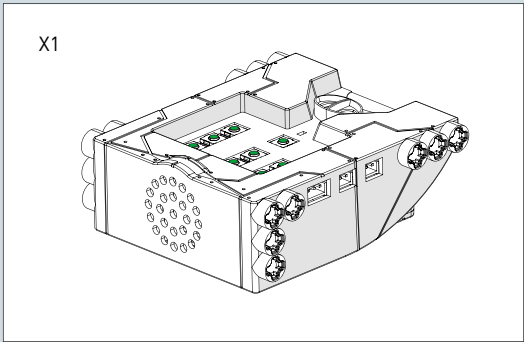
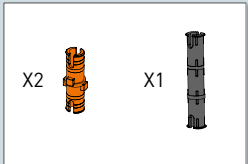
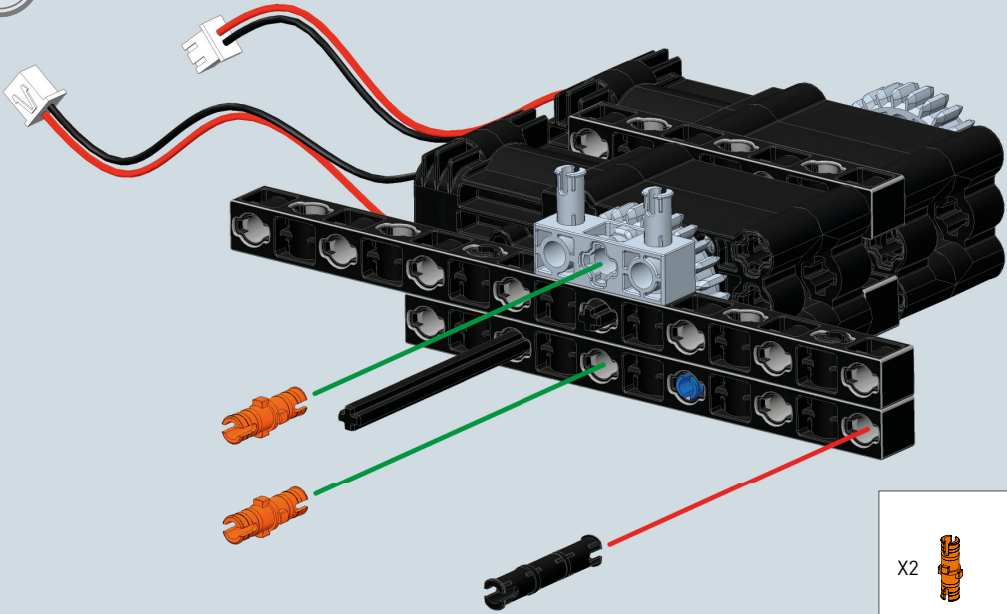


6

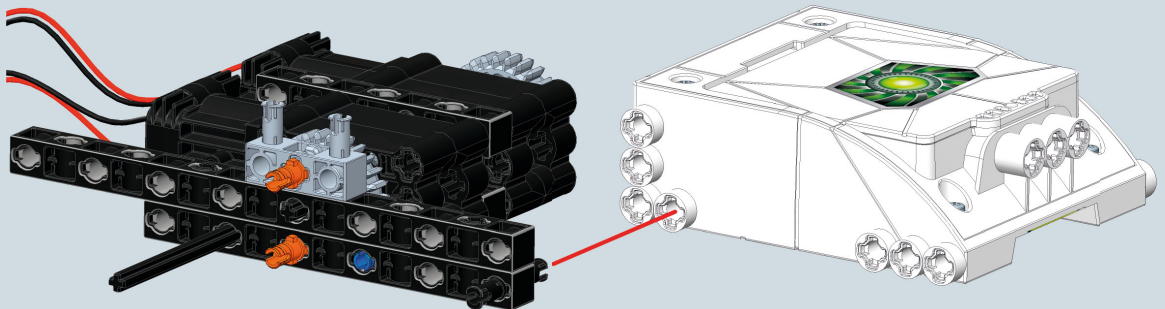


- X1 
- X1 
- X2  X1 

7

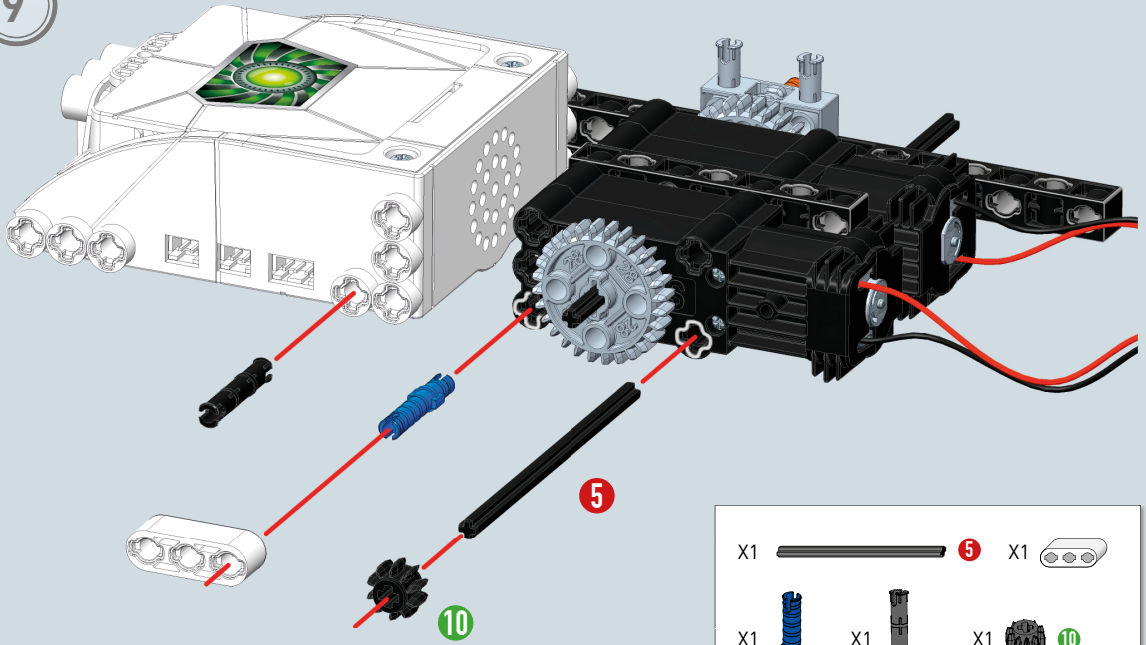


8



6

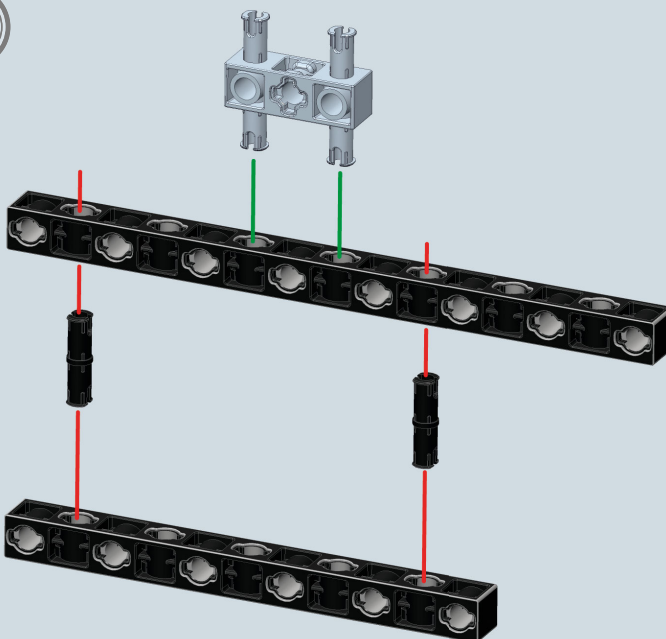
9



- X1 5 X1
- X1 X1
- X1 10

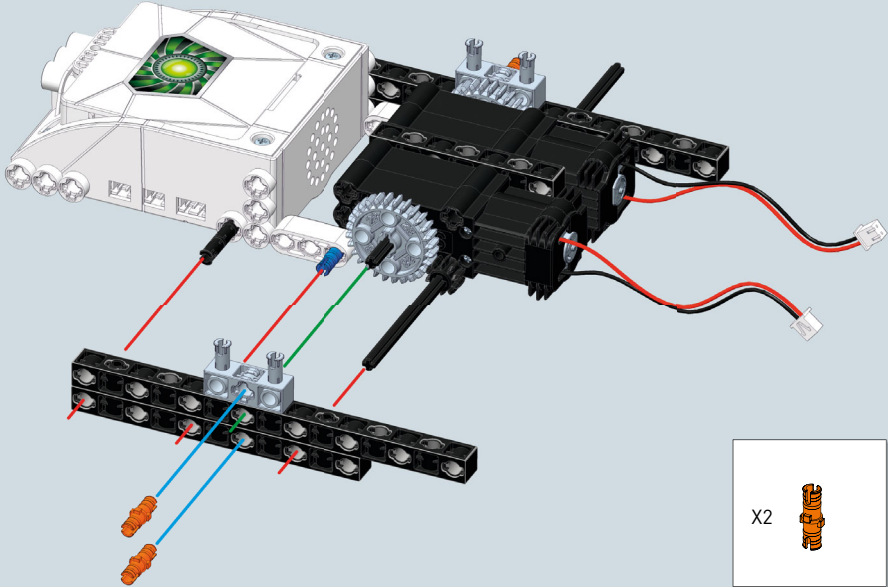
1:1 5 8,1 cm

10

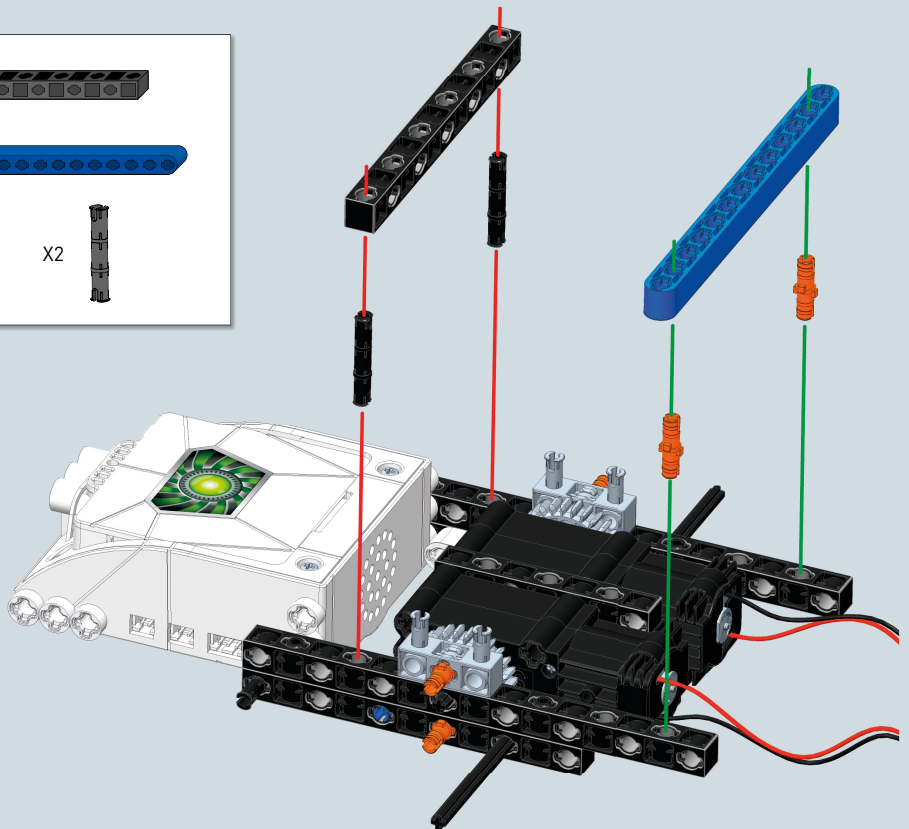
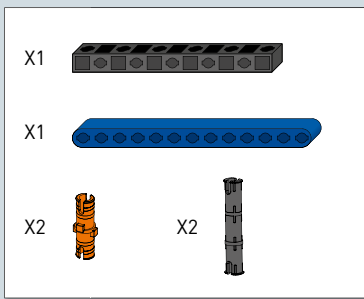


- X1
- X1
- X2
- X1

11

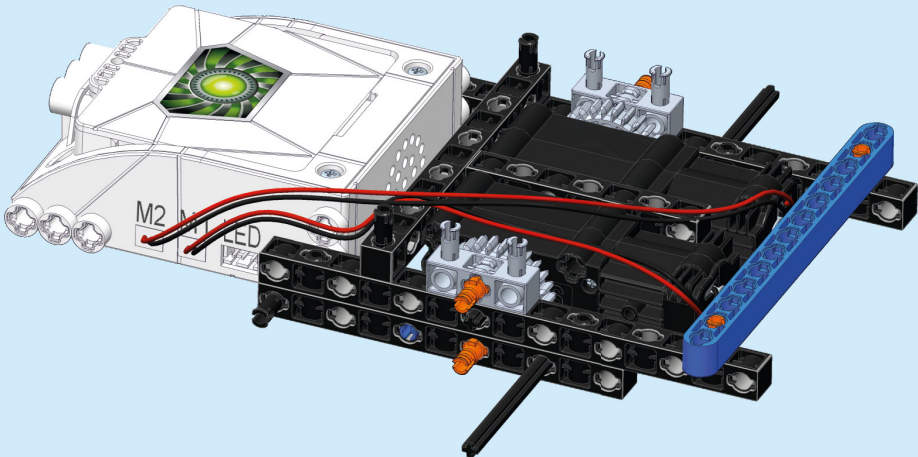
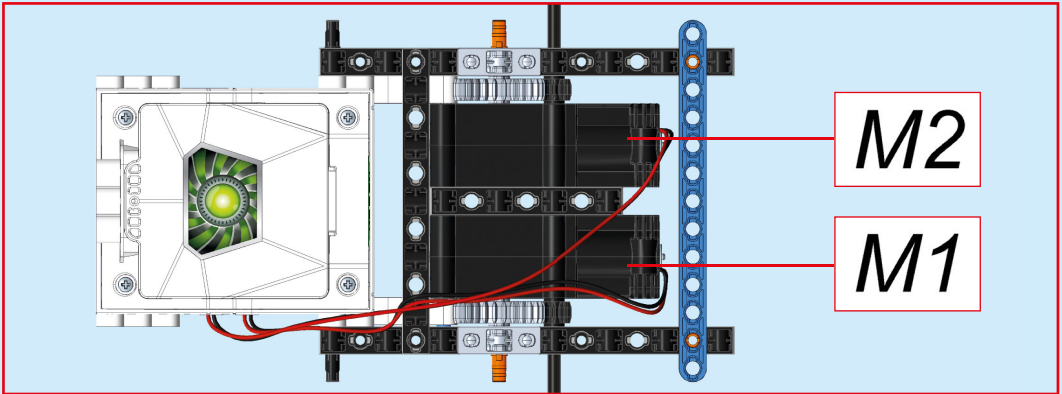


12

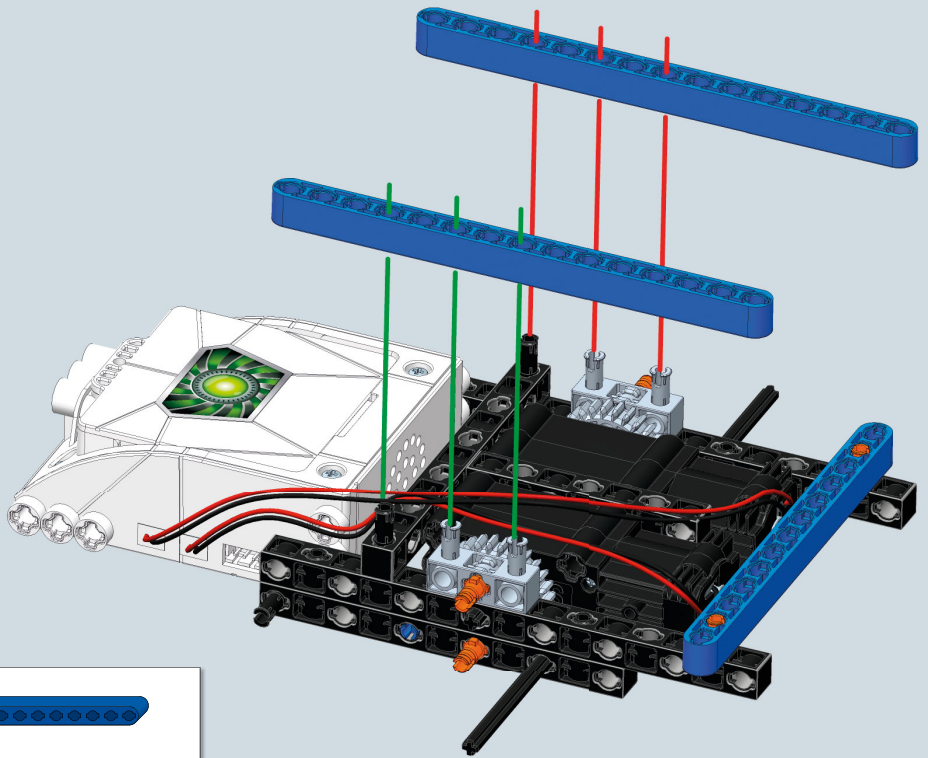




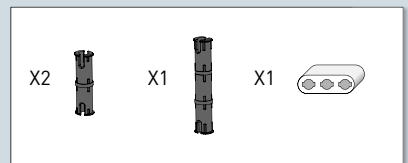
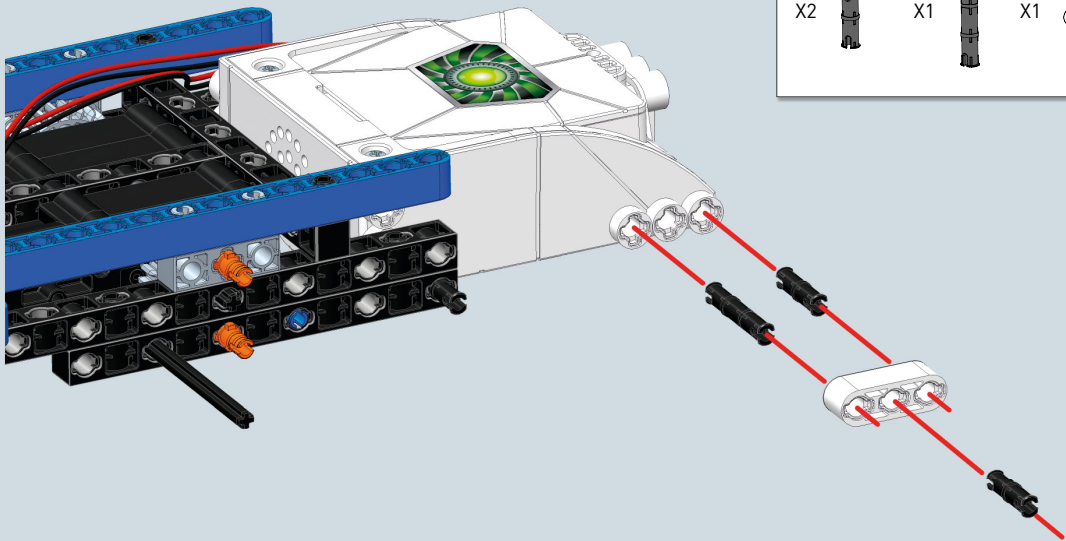
**CONNECT!**



13

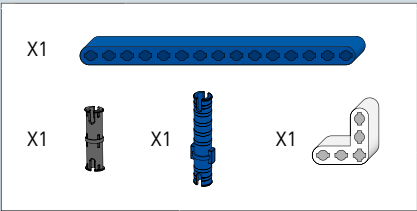
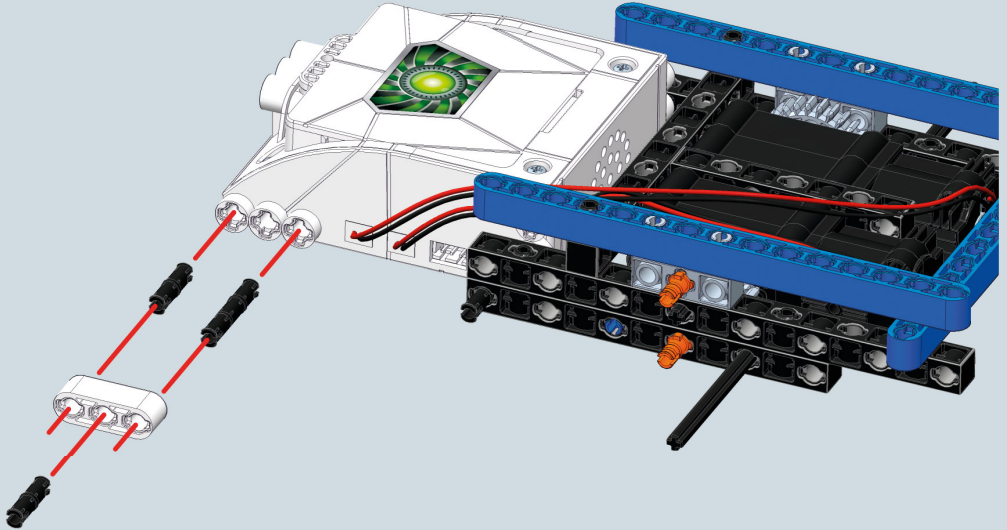
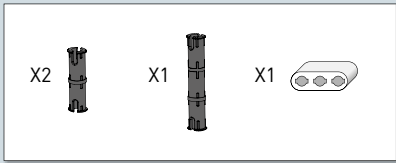


14

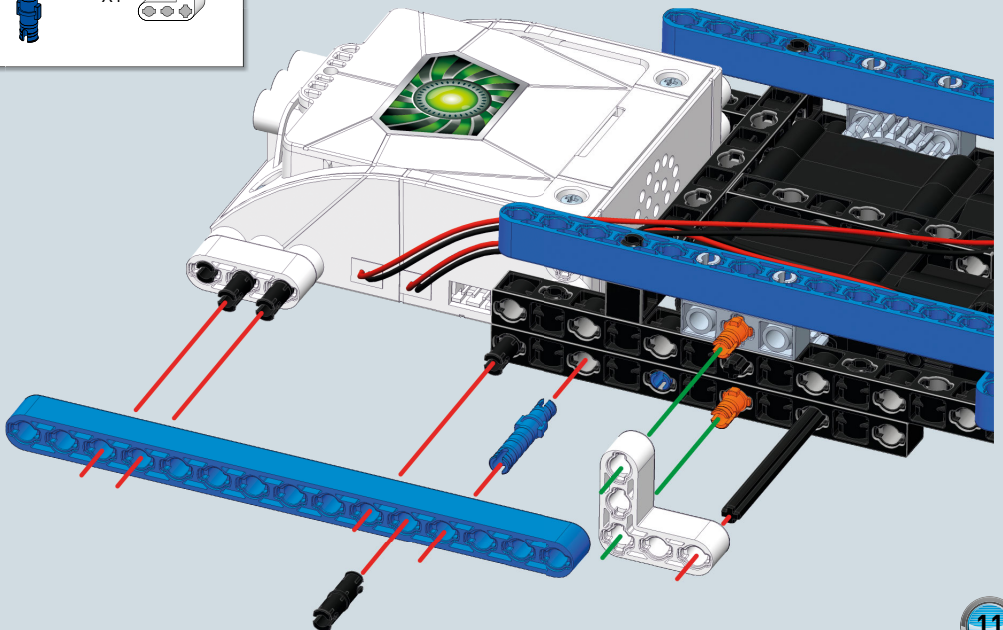


10

15

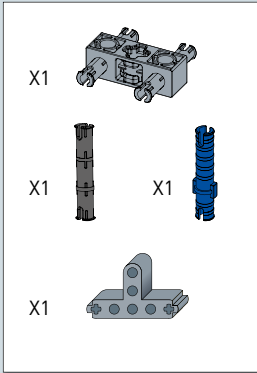
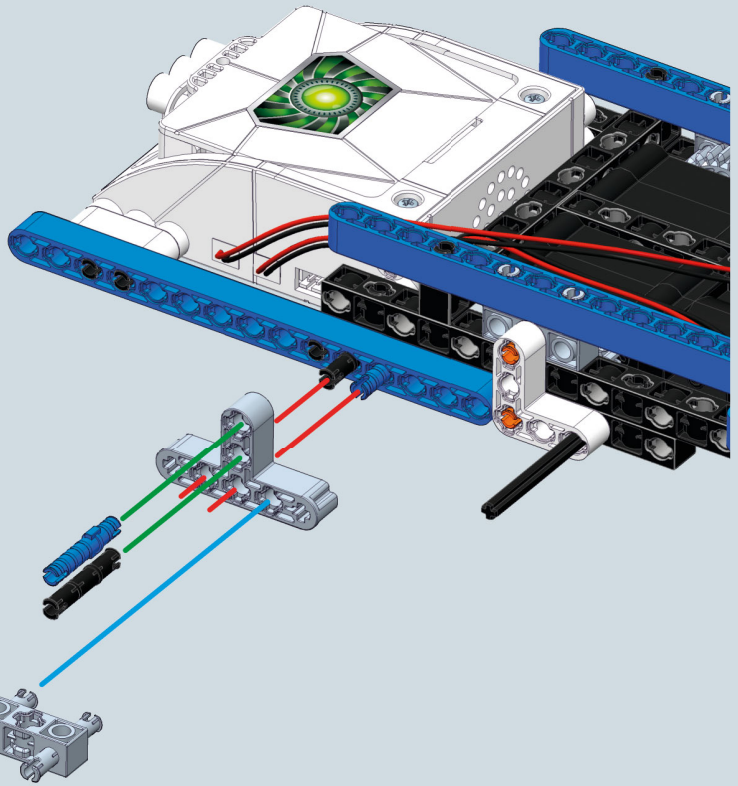


16

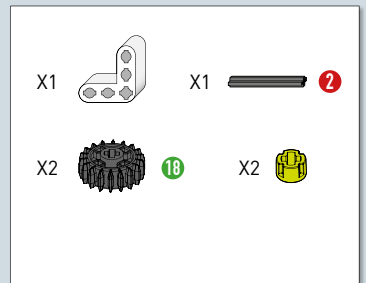
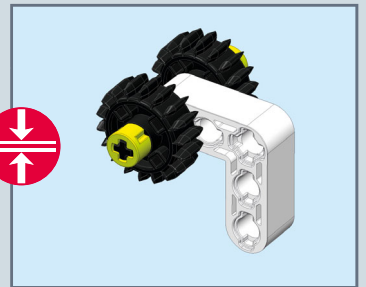
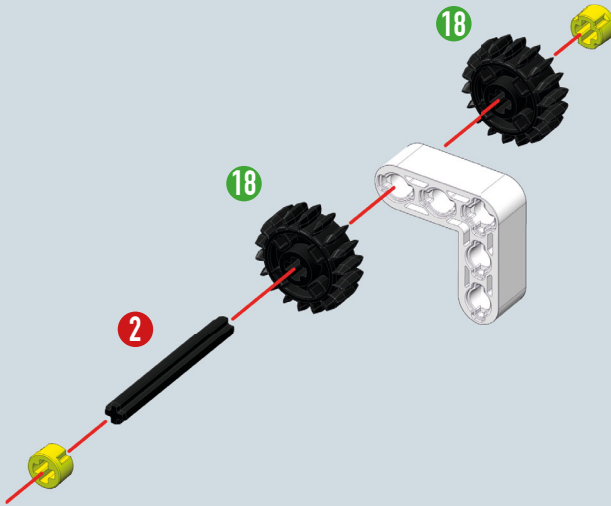


11

17



18



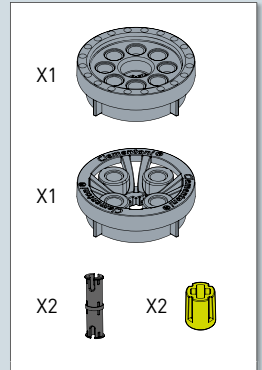
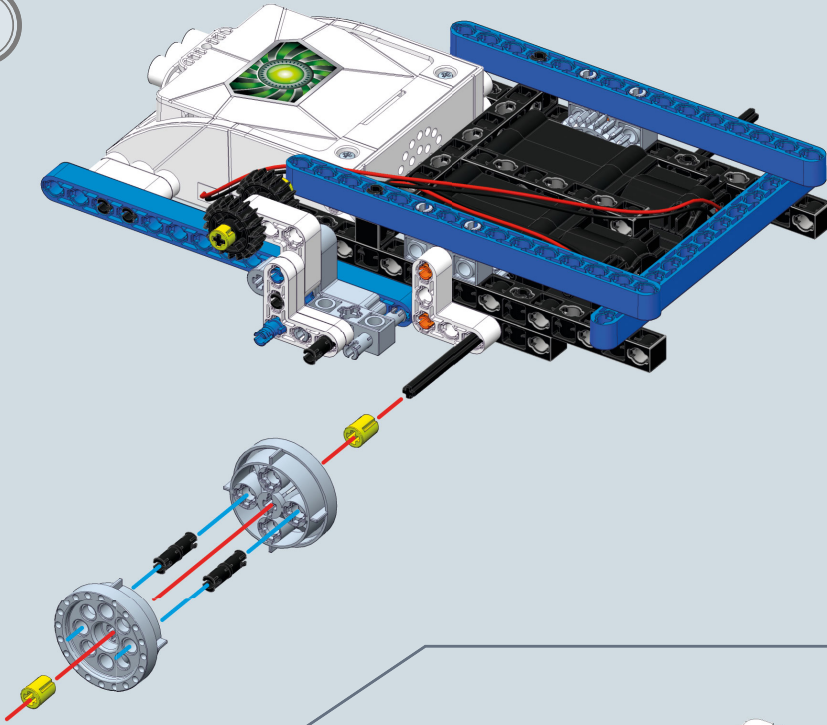
1:1  3,6 cm

12

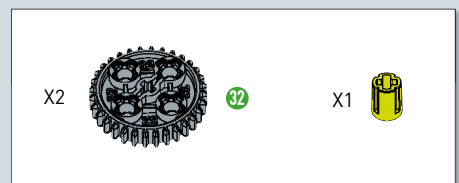
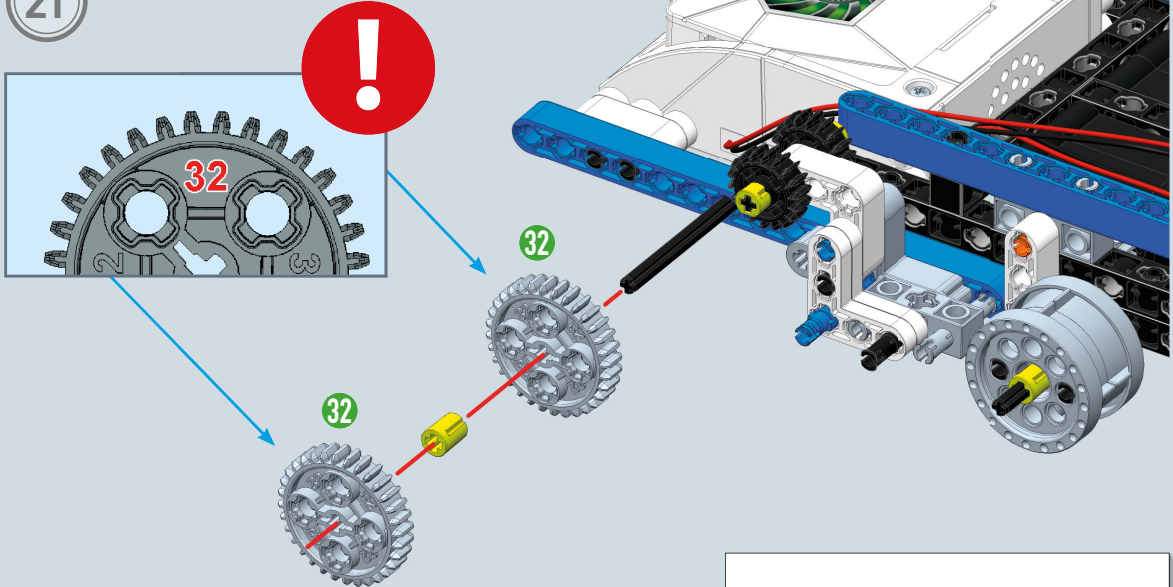




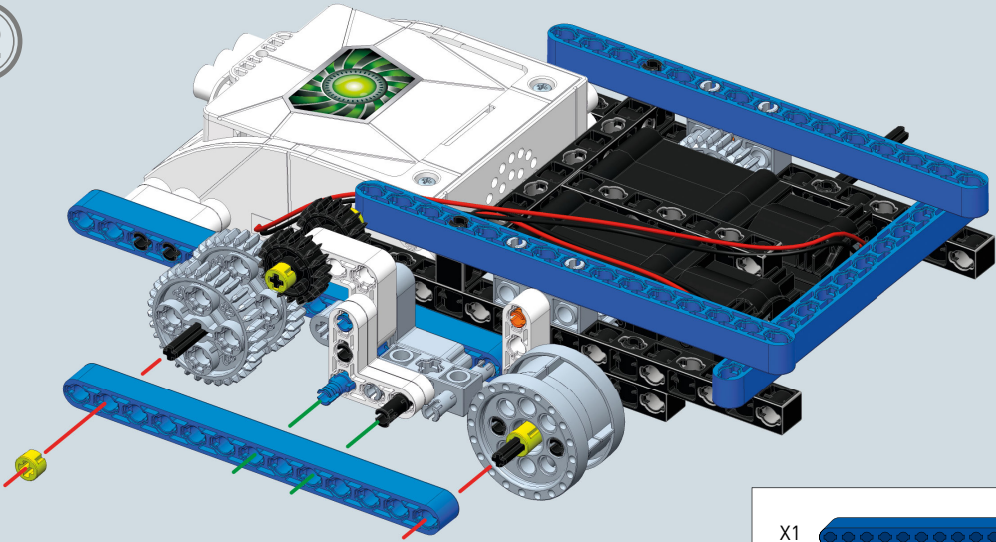
20





21

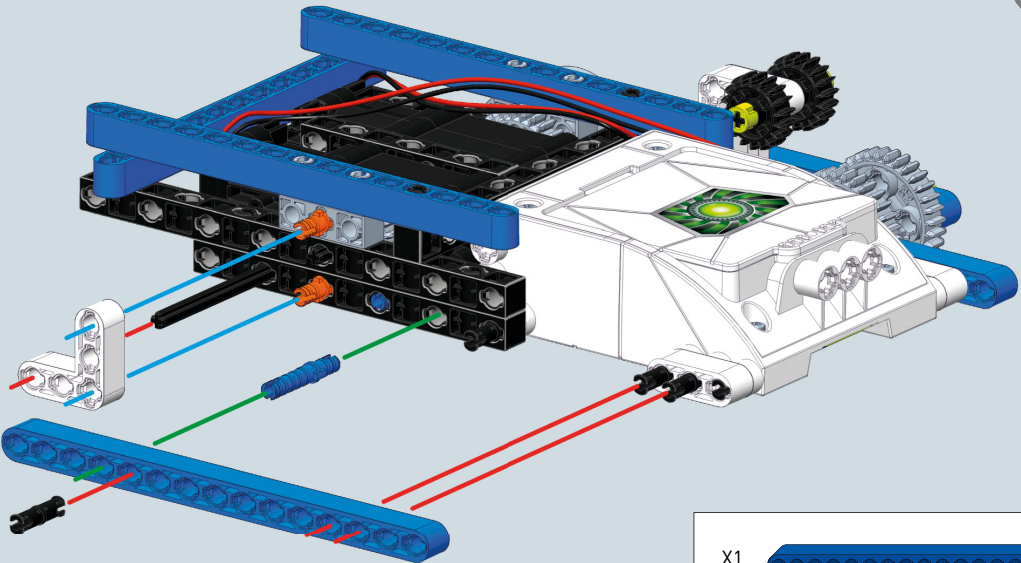






22



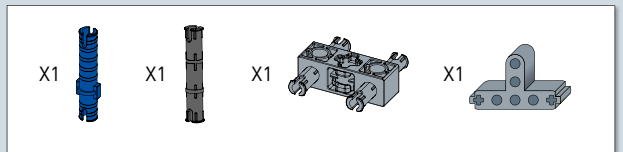
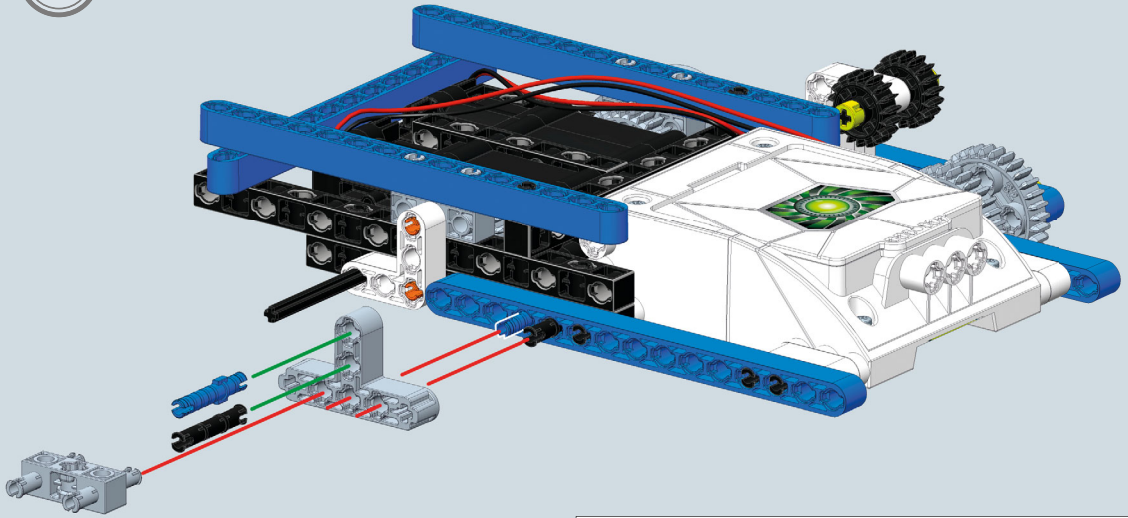
- X1 
- X1 

23

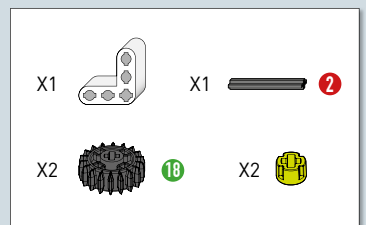
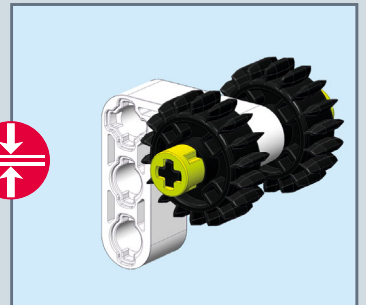
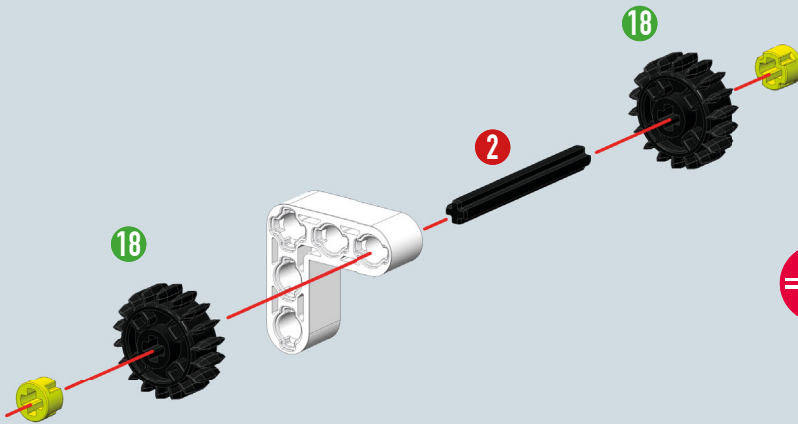


- X1 
- X1 
- X1 
- X1 

24



25

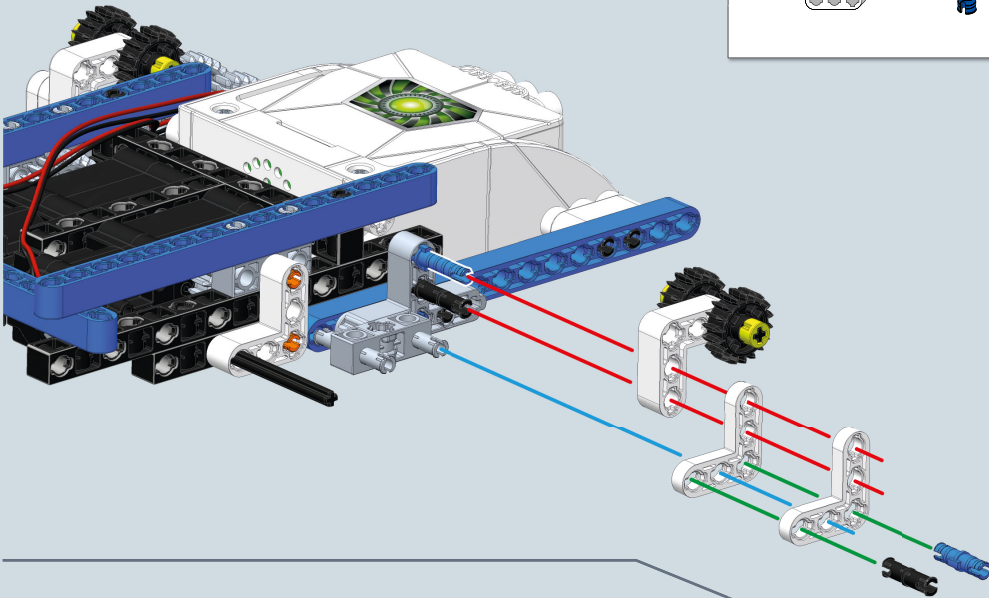


1:1 3,6 cm

16

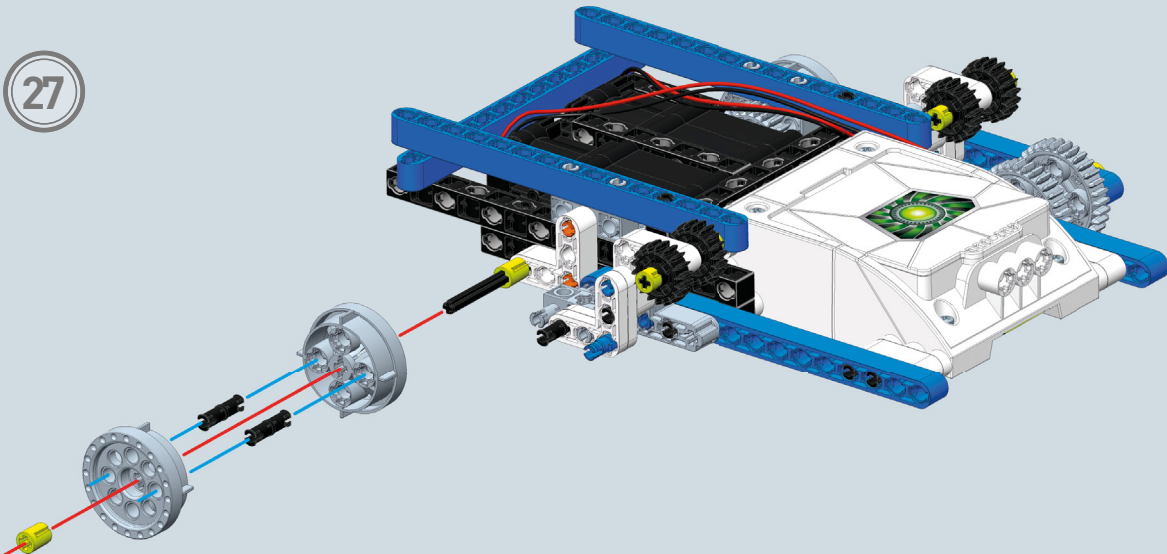


26



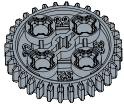

- X2
- X1
- X1

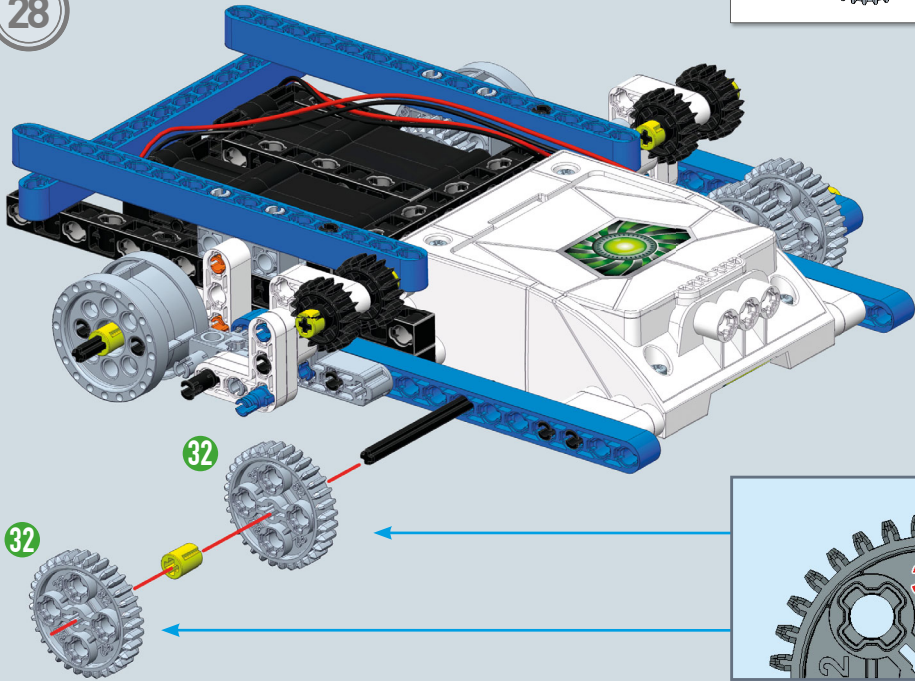
27





- X1
- X1
- X2
- X2

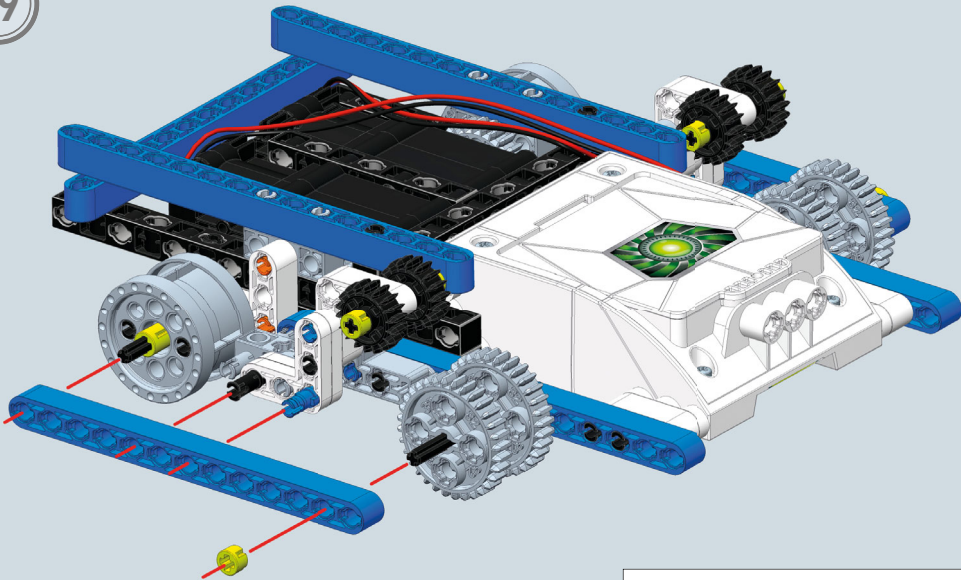
28



X2  32 X1 

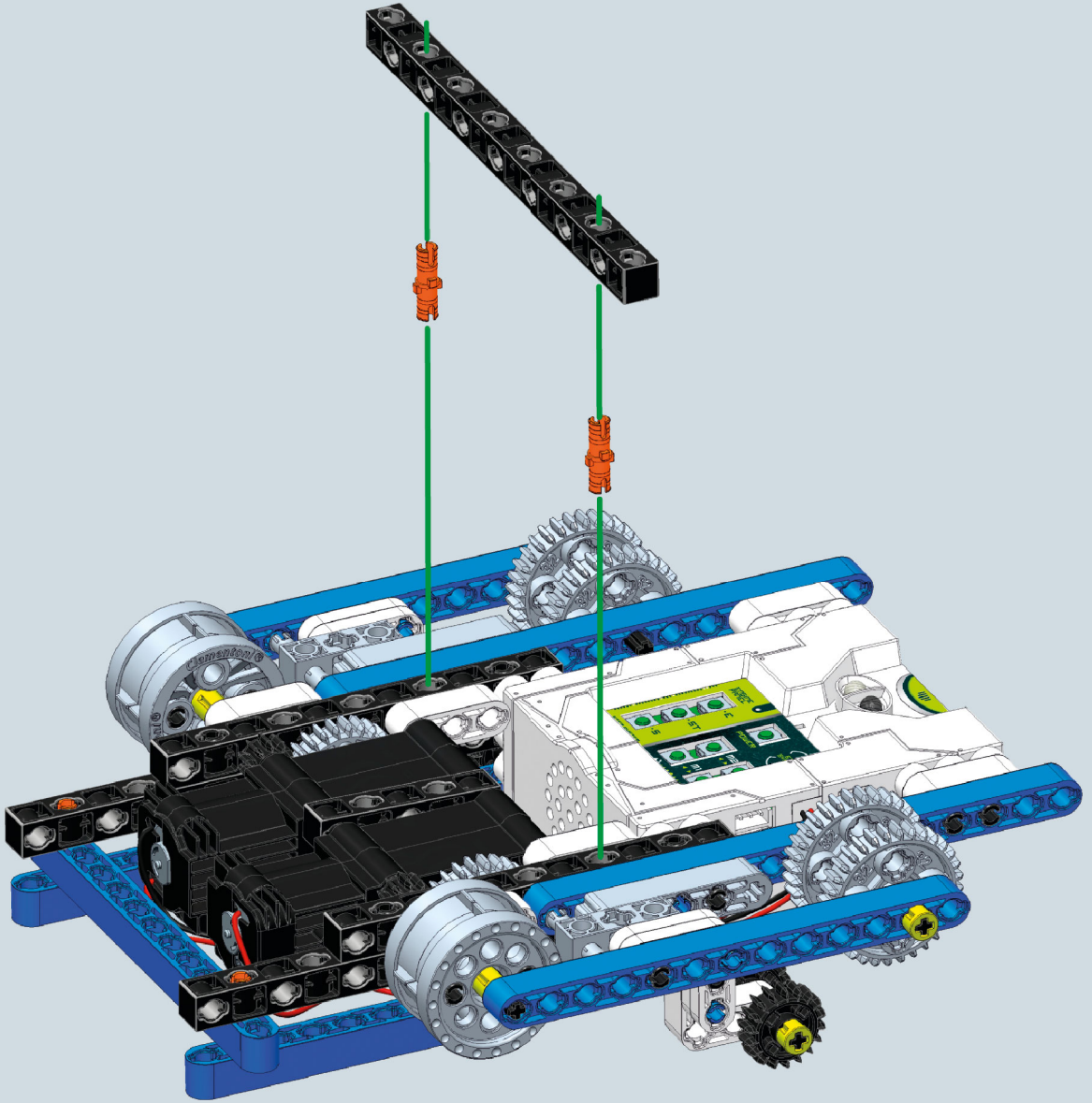


29

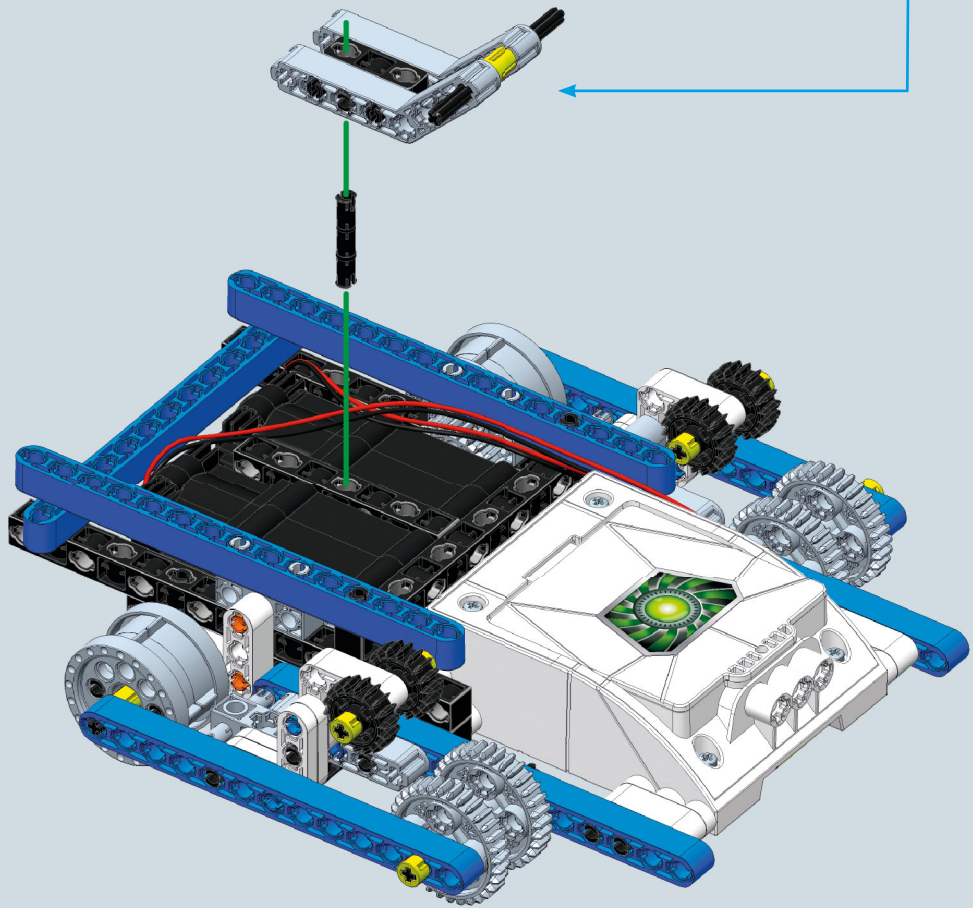
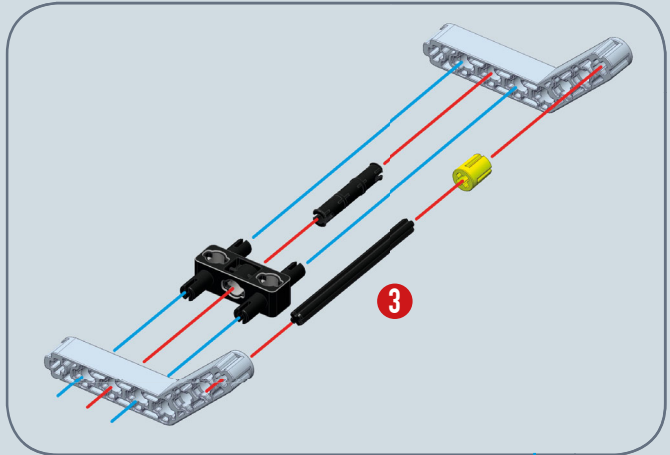
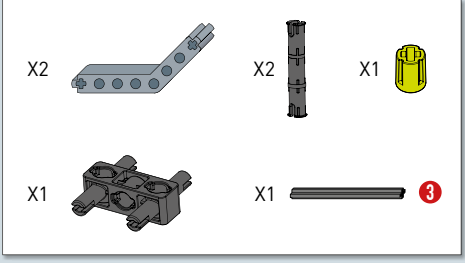
X1  X1 



X1  X2 

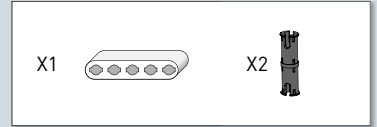
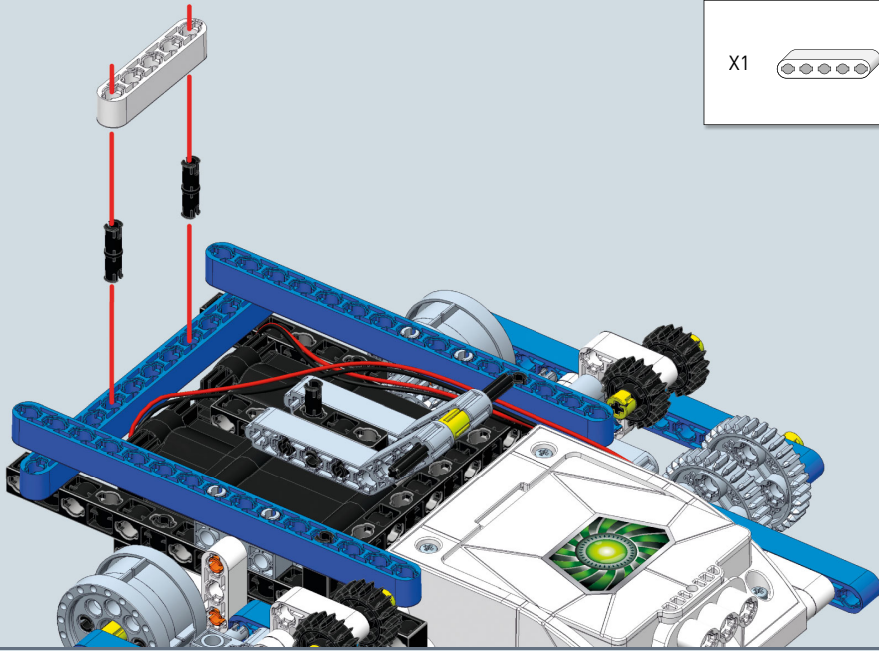


31

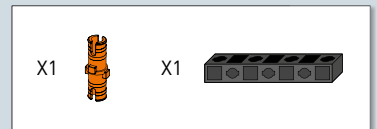
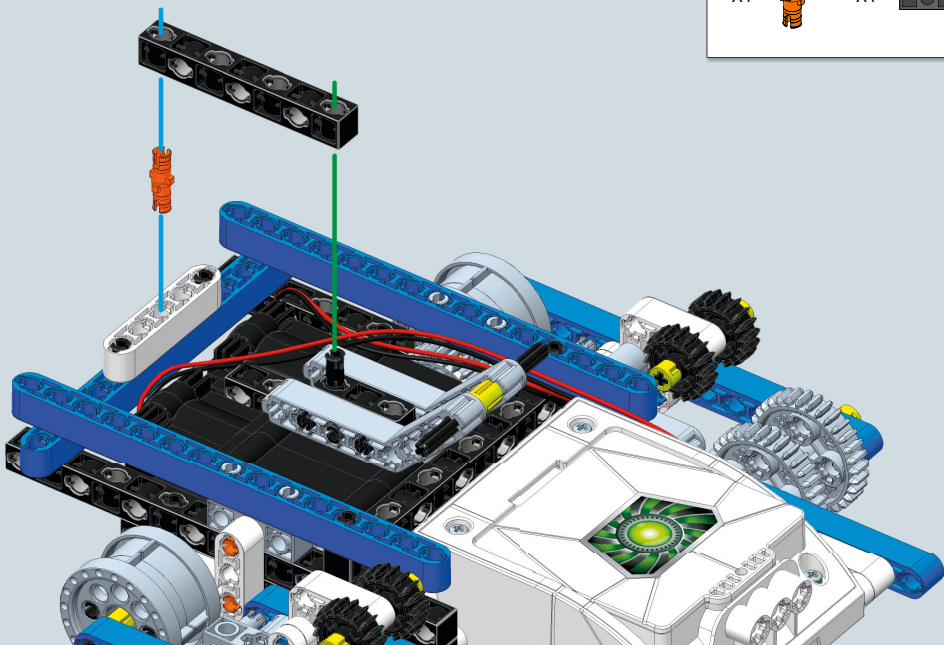




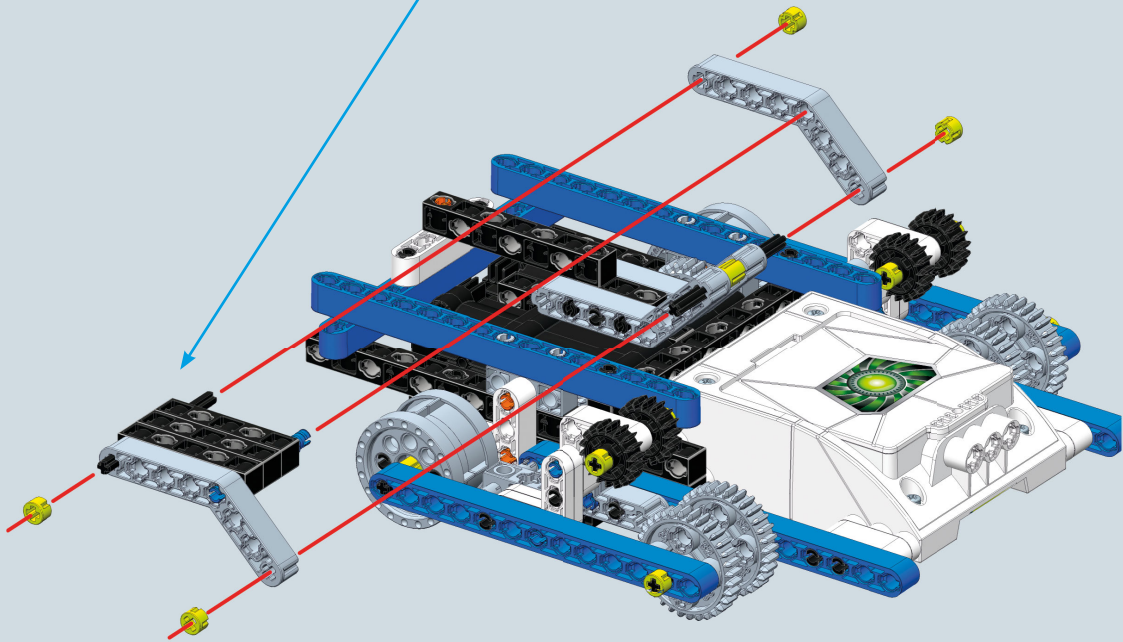
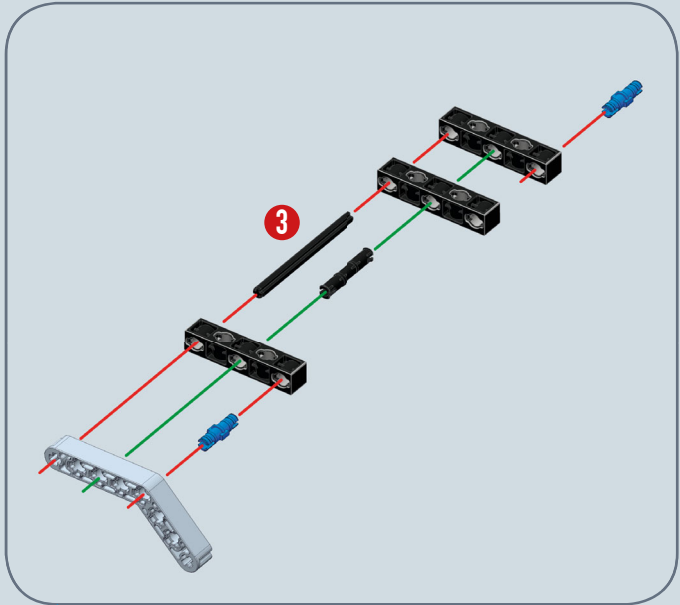
32



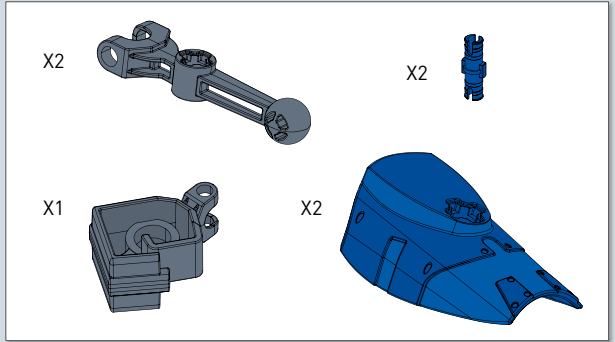
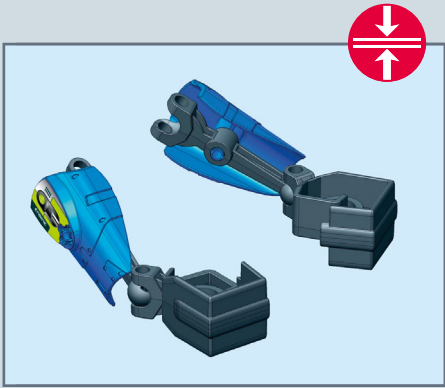
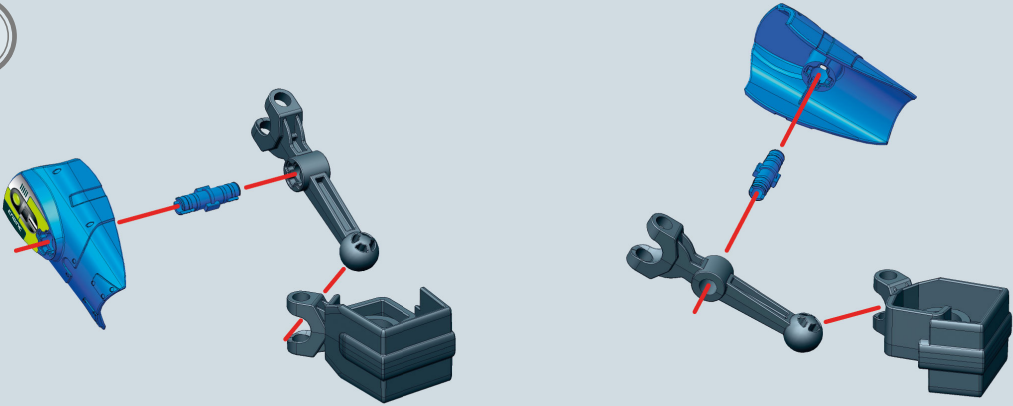
33



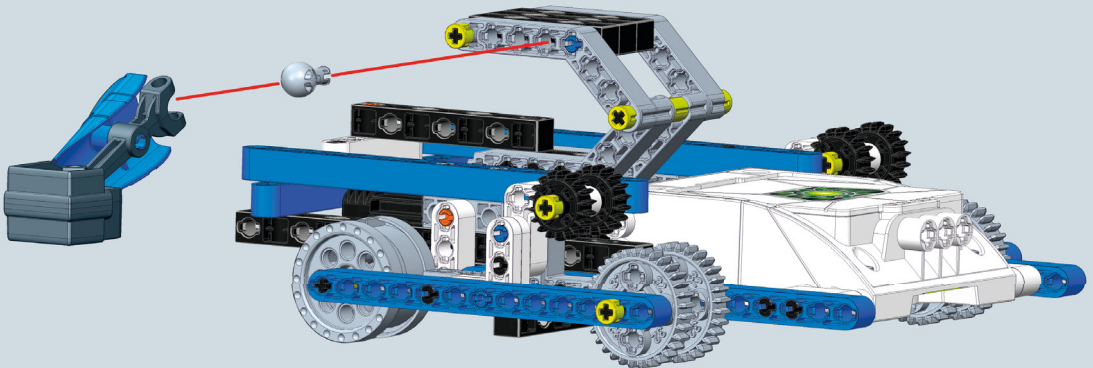
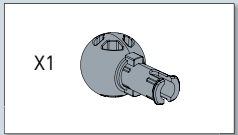
- X2
- X3
- X2
- X1
- X4
- X1



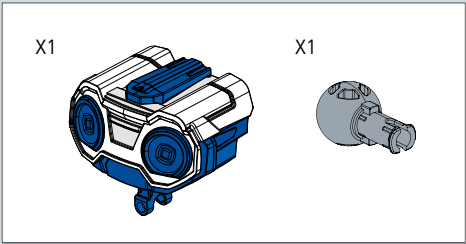
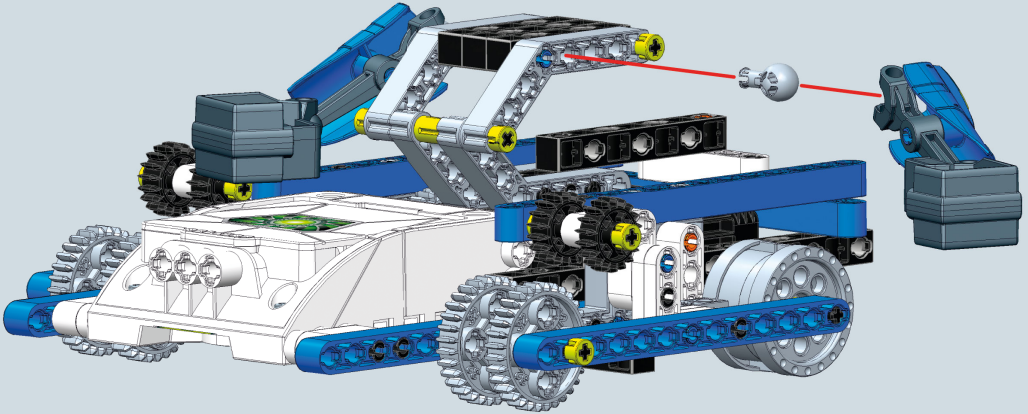
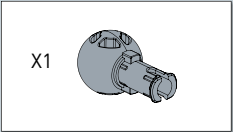
35



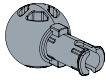
36



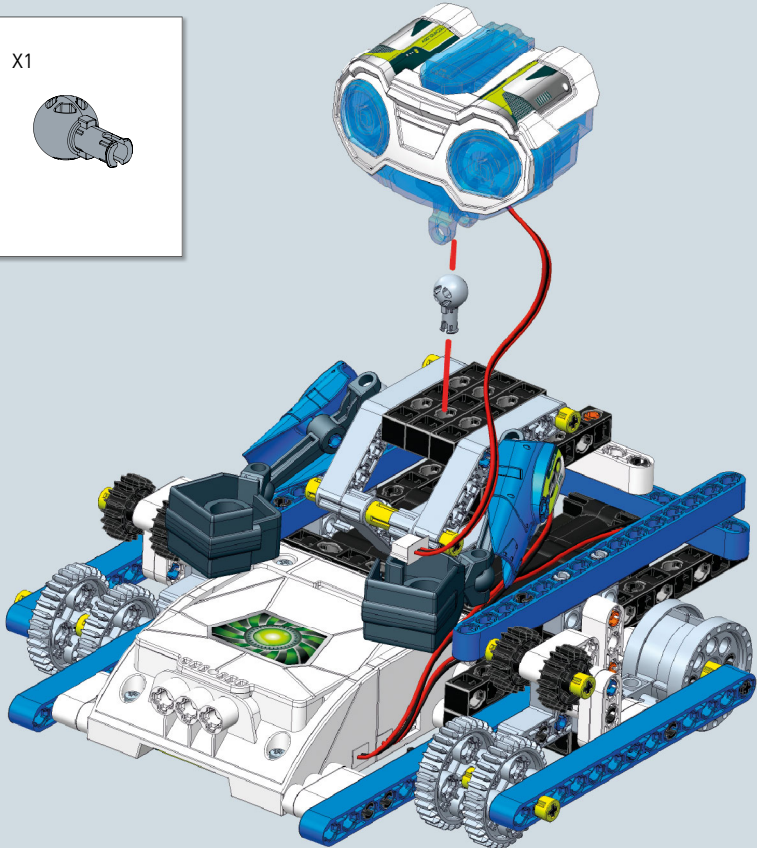
37



X1

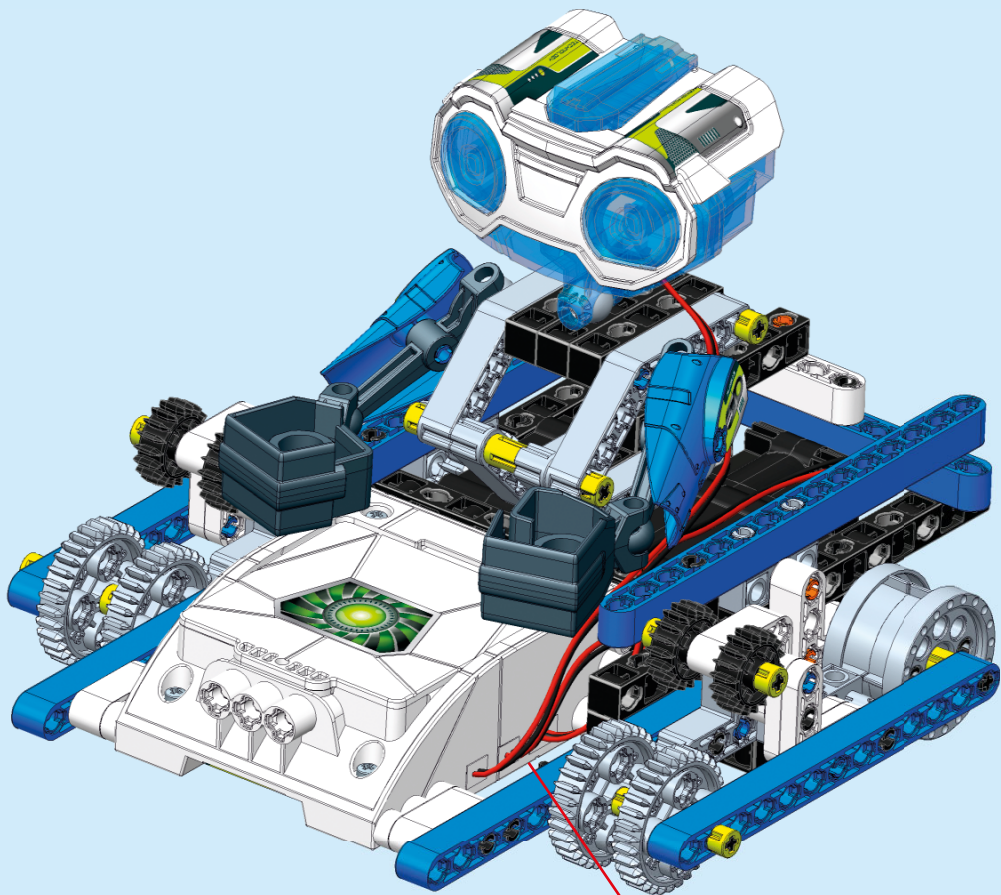


38



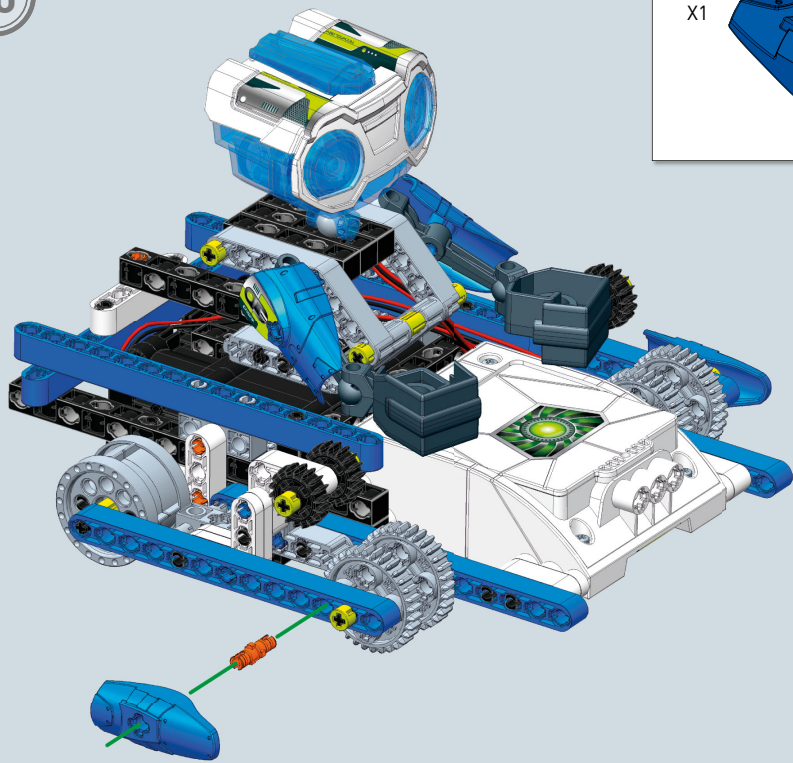
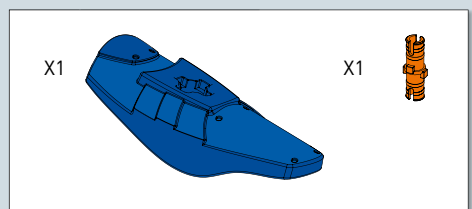
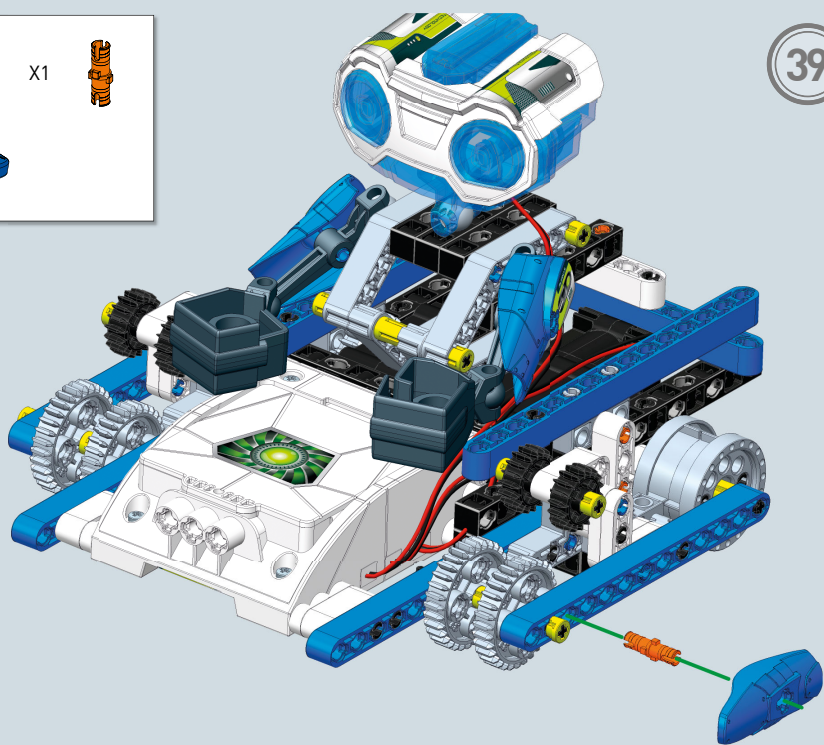
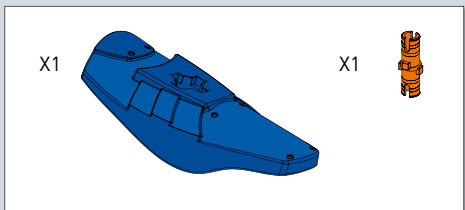


**CONNECT!**

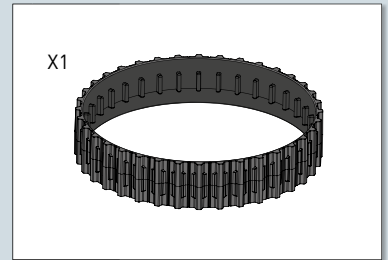
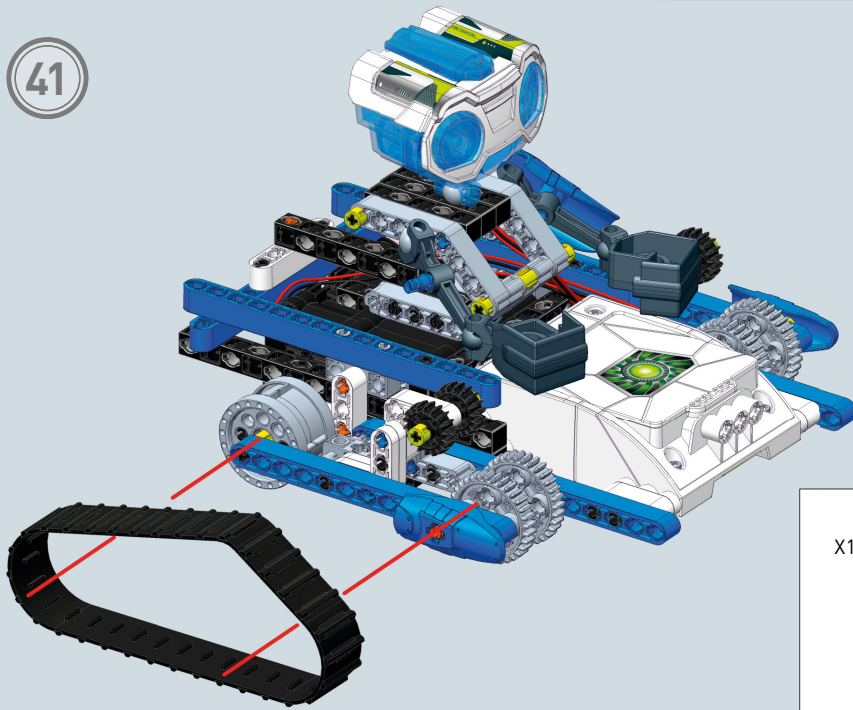


**LED**

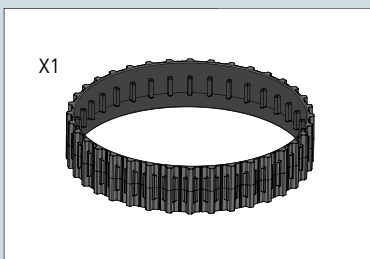
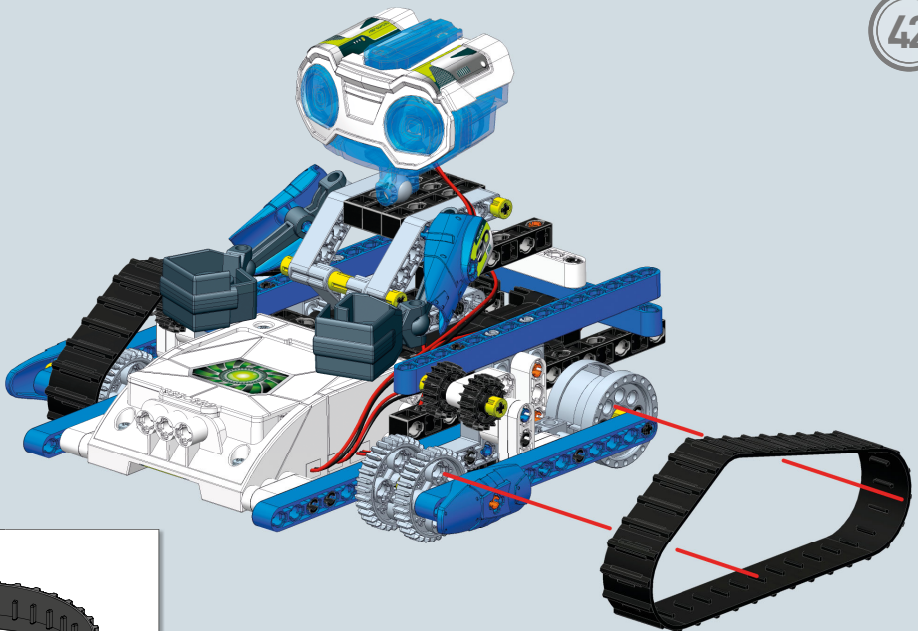


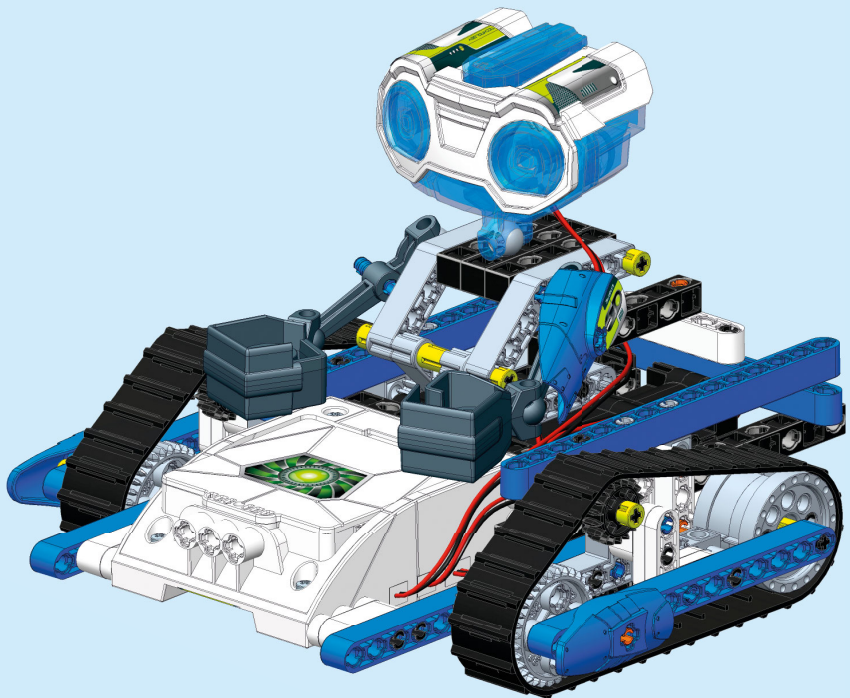
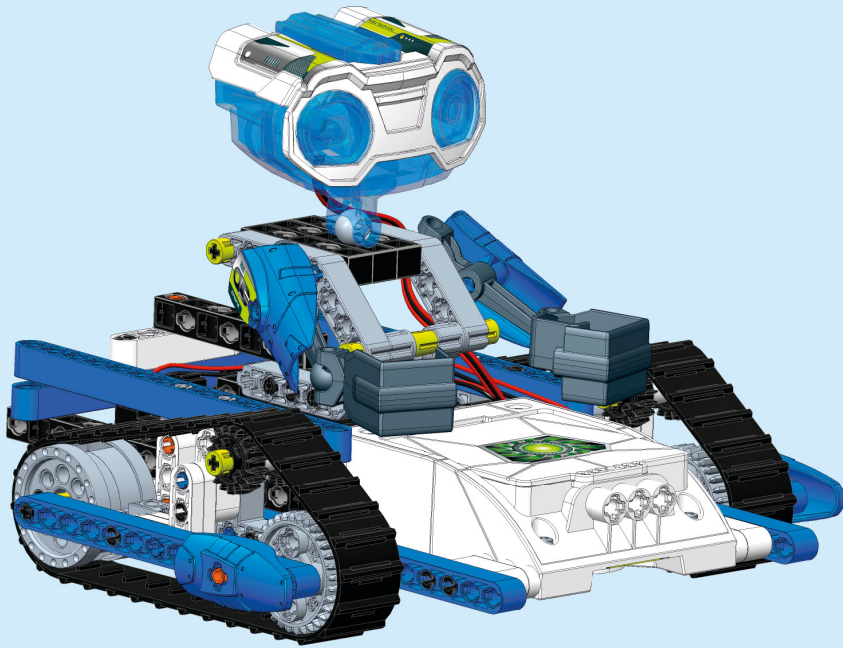


41

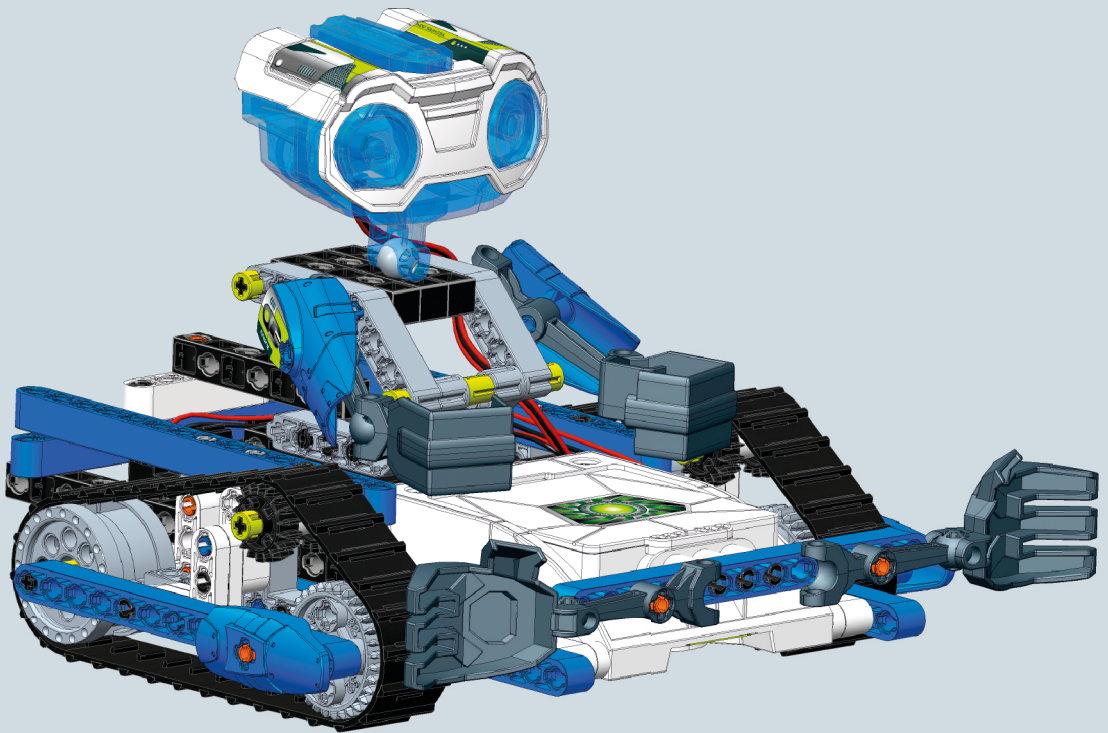


42





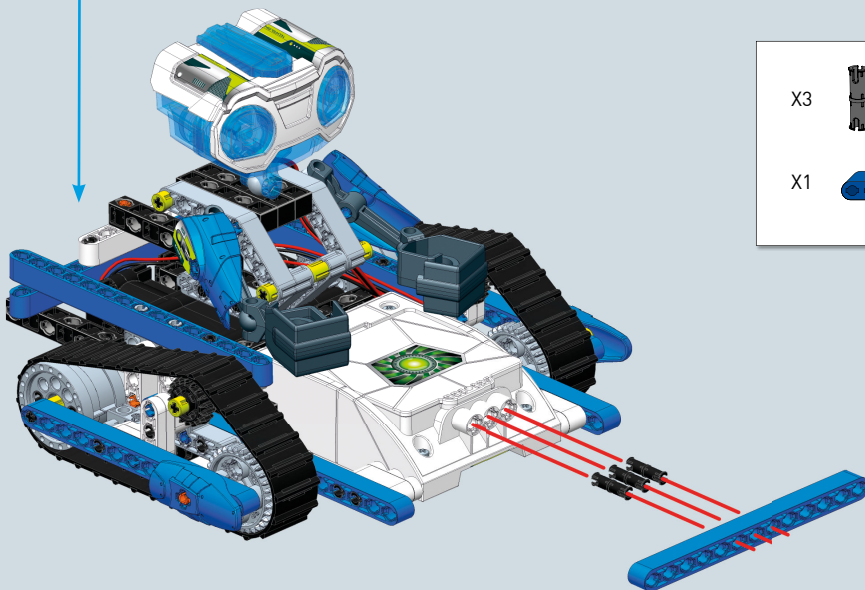
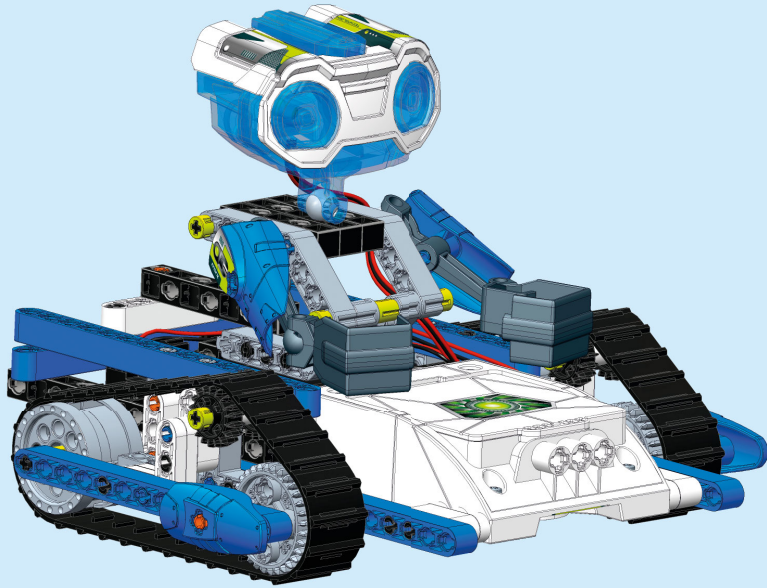
**ACTIVITY 2**





1

## ACTIVITY 1 -STEP



X3



X1





2

