



Thank you for choosing Philips.

Need help fast?

Read your Quick Use Guide and/or Owner's Manual first for quick tips that make using your Philips product more enjoyable.

If you have read your instructions and still need assistance, you may access our online help at

www.philips.com/welcome

or call

1 866 771 4018

while with your product.

(and Model / Serial number)



Philips vous remercie de votre confiance.

Besoin d'une aide rapide?

Les Guide d'utilisation rapide et Manuel de l'utilisateur regorgent d'astuces destinées à simplifier l'utilisation de votre produit Philips. Toutefois, si vous ne parvenez pas à résoudre votre problème, vous pouvez accéder à notre aide en ligne à l'adresse

www.philips.com/welcome

ou formez le

1 800 661 6162 (Francophone)

1 866 771 4018 (English speaking)

Veillez à avoir votre produit à portée de main.

(et model / serial nombre)



Gracias por escoger Philips

Necesita ayuda inmediata?

Lea primero la Guía de uso rápido o el Manual del usuario, en donde encontrará consejos que le ayudarán a disfrutar plenamente de su producto Philips.

Si después de leerlo aún necesita ayuda, consulte nuestro servicio de asistencia en línea en

www.philips.com/welcome

o llame al teléfono

1 866 771 4018

y tenga a mano el producto.

(y número de model / serial)



EN User manual

ES Manual del usuario

FR Mode d'emploi

PHILIPS

Return your Product Registration Card or register online at
www.philips.com/welcome today to get the very most from your purchase.

Registering your model with PHILIPS makes you eligible for all of the valuable benefits listed below, so don't miss out. Complete and return your Product Registration Card at once, **or register online at www.philips.com/welcome** to ensure:

*Proof of Purchase

Returning the enclosed card guarantees that your date of purchase will be on file, so no additional paperwork will be required from you to obtain warranty service.

*Product Safety Notification

By registering your product, you'll receive notification - directly from the manufacturer - in the rare case of a product recall or safety defect.

*Additional Benefits

Registering your product guarantees that you'll receive all of the privileges to which you're entitled, including special money-saving offers.

PHILIPS

Congratulations on your purchase, and welcome to the "family!"

Dear PHILIPS product owner:

Thank you for your confidence in PHILIPS. You've selected one of the best-built, best-backed products available today. We'll do everything in our power to keep you happy with your purchase for many years to come.

As a member of the PHILIPS "family," you're entitled to protection by one of the most comprehensive warranties and outstanding service networks in the industry. What's more, your purchase guarantees you'll receive all the information and special offers for which you qualify, plus easy access to accessories from our convenient home shopping network.

Most importantly, you can count on our uncompromising commitment to your total satisfaction.


All of this is our way of saying welcome - and thanks for investing in a PHILIPS product.


P.S. To get the most from your PHILIPS purchase, be sure to complete and return your Product Registration Card at once, or register online at:

www.philips.com/welcome

Know these
safety symbols



 This "bolt of lightning" indicates uninsulated material within your unit may cause an electrical shock. For the safety of everyone in your household, please do not remove product covering.

 The "exclamation point" calls attention to features for which you should read the enclosed literature closely to prevent operating and maintenance problems.

WARNING: To reduce the risk of fire or electric shock, this apparatus should not be exposed to rain or moisture and objects filled with liquids, such as vases, should not be placed on this apparatus.

CAUTION: To prevent electric shock, match wide blade of plug to wide slot, fully insert.

ATTENTION: Pour éviter les choc électriques, introduire la lame la plus large de la fiche dans la borne correspondante de la prise et pousser jusqu'au fond.

For Customer Use

Enter below the Serial No. which is located on the rear of the cabinet. Retain this information for future reference.

Model No. _____

Serial No. _____

PHILIPS

Visit our World Wide Web Site at <http://www.philips.com/welcome>

PHILIPS LIMITED WARRANTY

ONE (1) YEAR

WARRANTY COVERAGE:

PHILIPS warranty obligation is limited to the terms set forth below.

WHO IS COVERED:

Philips warrants the product to the original purchaser or the person receiving the product as a gift against defects in materials and workmanship as based on the date of original purchase ("Warranty Period") from an Authorized Dealer. The original sales receipt showing the product name and the purchase date from an authorized retailer is considered such proof.

WHAT IS COVERED:

The Philips warranty covers new products if a defect in material or workmanship occurs and a valid claim is received by Philips within the Warranty Period. At its option, Philips will either (1) repair the product at no charge, using new or refurbished replacement parts, or (2) exchange the product with a product that is new or which has been manufactured from new, or serviceable used parts and is at least functionally equivalent or most comparable to the original product in Philips current inventory, or (3) refund the original purchase price of the product. Philips warrants replacement products or parts provided under this warranty against defects in materials and workmanship from the date of the replacement or repair for ninety (90) days or for the remaining portion of the original product's warranty, whichever provides longer coverage for you. When a product or part is exchanged, any replacement item becomes your property and the replaced item becomes Philips' property. When a refund is given, your product becomes Philips' property.

Note: Any product sold and identified as refurbished or renewed carries a ninety (90) day limited warranty.

Replacement product can only be sent if all warranty requirements are met. Failure to follow all requirements can result in delay.

WHAT IS NOT COVERED - EXCLUSIONS AND LIMITATIONS:

This Limited Warranty applies only to the new products manufactured by or for Philips that can be identified by the trademark, trade name, or logo affixed to it. This Limited Warranty does not apply to any non-Philips hardware product or any software, even if packaged or sold with the product. Non-Philips manufacturers, suppliers, or publishers may provide a separate warranty for their own products packaged with the bundled product.

Philips is not liable for any damage to or loss of any programs, data, or other information stored on any media contained within the product, or any non-Philips product or part not covered by this warranty. Recovery or reinstallation of programs, data or other information is not covered under this Limited Warranty.

This warranty does not apply (a) to damage caused by accident, abuse, misuse, neglect, misapplication, or non-Philips product, (b) to damage caused by service performed by anyone other than Philips or Philips Authorized Service Location, (c) to a product or a part that has been modified without the written permission of

Philips, or (d) if any Philips serial number has been removed or defaced, or (e) product, accessories or consumables sold "AS IS" without warranty of any kind by including refurbished Philips product sold "AS IS" by some retailers.

This Limited Warranty does not cover:

- Shipping charges to return defective product to Philips.
- Labor charges for installation or setup of the product, adjustment of customer controls on the product, and installation or repair of antenna/signal source systems outside of the product.
- Product repair and/or part replacement because of improper installation or maintenance, connections to improper voltage supply, power line surge, lightning damage, retained images or screen markings resulting from viewing fixed stationary content for extended periods, product cosmetic appearance items due to normal wear and tear, unauthorized repair or other cause not within the control of Philips.
- Damage or claims for products not being available for use, or for lost data or lost software.
- Damage from mishandled shipments or transit accidents when returning product to Philips.
- A product that requires modification or adaptation to enable it to operate in any country other than the country for which it was designed, manufactured, approved and/or authorized, or repair of products damaged by these modifications.
- A product used for commercial or institutional purposes (including but not limited to rental purposes).
- Product lost in shipment and no signature verification receipt can be provided.
- Failure to operate per Owner's Manual.

TO OBTAIN ASSISTANCE IN THE U.S.A., PUERTO RICO, OR U.S. VIRGIN ISLANDS...

Contact Philips Customer Care Center at:
1 866 771 4018

TO OBTAIN ASSISTANCE IN CANADA...

1 800 661 6162 (French Speaking)
1 866 771 4018 (English or Spanish Speaking)

REPAIR OR REPLACEMENT AS PROVIDED UNDER THIS WARRANTY IS THE EXCLUSIVE REMEDY FOR THE CONSUMER. PHILIPS SHALL NOT BE LIABLE FOR ANY INCIDENTAL OR CONSEQUENTIAL DAMAGES FOR BREACH OF ANY EXPRESS OR IMPLIED WARRANTY ON THIS PRODUCT. EXCEPT TO THE EXTENT PROHIBITED BY APPLICABLE LAW, ANY IMPLIED WARRANTY OF MERCHANTABILITY OR FITNESS FOR A PARTICULAR PURPOSE ON THIS PRODUCT IS LIMITED IN DURATION TO THE DURATION OF THIS WARRANTY.

Some states do not allow the exclusions or limitation of incidental or consequential damages, or allow limitations on how long an implied warranty lasts, so the above limitations or exclusions may not apply to you.

This warranty gives you specific legal rights. You may have other rights which vary from state/province to state/province.

P&F USA, Inc. P.O. Box 672768, Marietta, GA. 30006

3121 233 48802

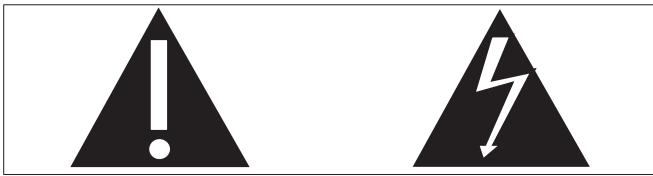
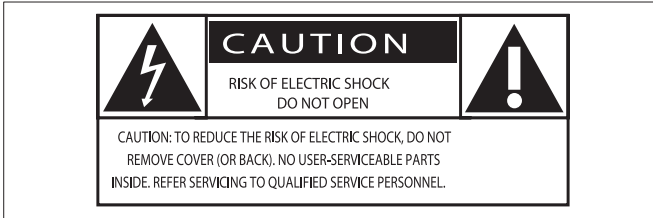
Contents

1 Important	6
Safety	6
Notice	7
2 Your DVD Home Theater System	9
Introduction	9
What's in the box	9
Overview of the main unit	10
Overview of the remote control	11
3 Connect	13
Place the unit	13
Attach speakers to the main unit	13
Connect TV	13
Connect audio cables	15
Connect FM antenna	15
Connect power	15
4 Get started	17
Prepare the remote control	17
Turn on	17
Find the correct viewing channel	17
Select the correct TV system	17
Select menu display language	18
Turn on Progressive Scan	18
Use Philips EasyLink	18
5 Play	20
Play from USB	20
Play DivX video	20
Play MP3/WMA/picture files	20
Play control	21
Play discs	21
Play options	22
Picture view options	23
6 Adjust settings	24
General setup	24
Audio setup	25
Video setup	25
Preference setup	26
7 Tune to FM radio stations	28
Program radio stations automatically	28
Program radio stations manually	28
Tune to a preset radio station	28
8 Adjust volume level and sound effect	29
Adjust volume level	29
Select a sound effect	29
Mute sound	29
9 Connect other devices	30
Listen to an audio player	30
10 Product information	31
Specifications	31
Supported disc formats	32
USB playability information	32
11 Troubleshooting	33
12 Appendix	35
Mount to a wall	35
13 Glossary	37

1 Important

Safety

Know these safety symbols



This 'bolt of lightning' indicates uninsulated material within your unit may cause an electrical shock. For the safety of everyone in your household, please do not remove product covering.

The 'exclamation point' calls attention to features for which you should read the enclosed literature closely to prevent operating and maintenance problems.

WARNING: To reduce the risk of fire or electric shock, this apparatus should not be exposed to rain or moisture and objects filled with liquids, such as vases, should not be placed on this apparatus.

CAUTION: To prevent electric shock, match wide blade of plug to wide slot, fully insert.

Important Safety Instructions

- ① Read these instructions.
- ② Keep these instructions.
- ③ Heed all warnings.
- ④ Follow all instructions.
- ⑤ Do not use this apparatus near water.
- ⑥ Clean only with dry cloth.
- ⑦ Do not block any ventilation openings. Install in accordance with the manufacturer's instructions.
- ⑧ Do not install near any heat sources such as radiators, heat registers, stoves, or other apparatus (including amplifiers) that produce heat.
- ⑨ Do not defeat the safety purpose of the polarized or grounding-type plug. A polarized plug has two blades with one wider than the other. A grounding type plug has two blades and a third grounding prong. The wide blade or the third prong are provided for your safety. If the provided plug does not fit into your outlet, consult an electrician for replacement of the obsolete outlet.
- ⑩ Protect the power cord from being walked on or pinched, particularly at plugs, convenience receptacles, and the point where they exit from the apparatus.
- ⑪ Only use attachments/accessories specified by the manufacturer.
- ⑫ Use only with the cart, stand, tripod, bracket, or table specified by the manufacturer or sold with the apparatus. When a cart is used, use caution when moving the cart/apparatus combination to avoid injury from tip-over.
- ⑬ Unplug this apparatus during lightning storms or when unused for long periods of time.
- ⑭ Refer all servicing to qualified service personnel. Servicing is required when the apparatus has been damaged in any way, such as power-supply cord or plug is damaged, liquid has been spilled or



objects have fallen into the apparatus, the apparatus has been exposed to rain or moisture, does not operate normally, or has been dropped.

- ⑮ **Grounding or Polarization** - This product may be equipped with a polarized alternating-current line plug (a plug having one blade wider than the other). This plug will fit into the power outlet only one way. This is a safety feature. If you are unable to insert the plug fully into the outlet, try reversing the plug. If the plug should still fail to fit, contact your electrician to replace your obsolete outlet. Do not defeat the safety purpose of the polarized plug.
- ⑯ **Ventilation** - Slots and openings in the cabinet are provided for ventilation and to ensure reliable operation of the product and to protect it from overheating, and these openings must not be blocked or covered. The openings should never be blocked by placing the product on a bed, sofa, rug, or other similar surface. This product should not be placed in a built-in installation such as a bookcase or rack unless proper ventilation is provided or the manufacturer's instructions have been adhered to.



Warning

- Where the MAINS plug or an appliance coupler is used as the disconnect device, the disconnect device shall remain readily operable.

- Wall mounting of the apparatus should only be performed by qualified personal. The apparatus must only be mounted on an appropriate wall bracket and on a wall that can safely hold the weight of the apparatus. Improper wall mounting can result in severe injury or damage.

Notice

Notice of compliance

For USA:

This equipment has been tested and found to comply with the limits for a Class B digital device, pursuant to Part 15 of the FCC Rules. These limits are designed to provide reasonable protection against harmful interference in a residential installation. This equipment generates, uses and can radiate radio frequency energy and, if not installed and used in accordance with the instructions, may cause harmful interference to radio communications. However, there is no guarantee that interference will not occur in a particular installation. If this equipment does cause harmful interference to radio or television reception, which can be determined by turning the equipment off and on, the user is encouraged to try to correct the interference by one or more of the following measures:

- Reorient or relocate the receiving antenna.
- Increase the separation between the equipment and receiver.
- Connect the equipment into an outlet on a circuit different from that to which the receiver is connected.
- Consult the dealer or an experienced radio/TV technician for help.

Model number: PHILIPS HSB2351/F7

Trade Name: Philips

Responsible Party:

Philips Consumer Electronics

P. O. Box 671539

Marietta, GA 30006-0026

1-800-PHILIPS (744-5477)

Any changes or modifications made to this device that are not expressly approved by Philips Consumer Electronics may void the user's authority to operate the equipment.

Recycling



Your product is designed and manufactured with high quality materials and components, which can be recycled and reused.

When you see the crossed-out wheel bin symbol attached to a product, it means the product is covered by the European Directive 2002/96/EC:



Never dispose of your product with other household waste. Please inform yourself about the local rules on the separate collection of electrical and electronic products. The correct disposal of your old product helps prevent potentially negative consequences on the environment and human health.

Your product contains batteries covered by the European Directive 2006/66/EC, which cannot be disposed of with normal household waste. When you see the crossed-out wheel bin symbol with the chemical symbol 'Pb', it means that the batteries comply with the requirement set by the directive for lead:



Please inform yourself about the local rules on separate collection of batteries. The correct disposal of batteries helps prevent potentially negative consequences on the environment and human health.

Environmental information

All unnecessary packaging has been omitted. We have tried to make the packaging easy to separate into three materials: cardboard (box), polystyrene foam (buffer) and polyethylene (bags, protective foam sheet.)

Your system consists of materials which can be recycled and reused if disassembled by a specialized company. Please observe the

local regulations regarding the disposal of packaging materials, exhausted batteries and old equipment.



Be responsible
Respect copyrights

The making of unauthorized copies of copy-protected material, including computer programs, files, broadcasts and sound recordings, may be an infringement of copyrights and constitute a criminal offence. This equipment should not be used for such purposes.



HDMI, and HDMI logo and High-Definition Multimedia Interface are trademarks or registered trademarks of HDMI licensing LLC.



Manufactured under license from Dolby Laboratories.

Dolby, Pro Logic, and the double-D symbol are trademarks of Dolby Laboratories.



ENERGY STAR and the ENERGY STAR mark are registered U.S. marks.

This apparatus includes this label:



Note

- The type plate is located on the bottom of the apparatus.

2 Your DVD Home Theater System

Congratulations on your purchase, and welcome to Philips! To fully benefit from the support that Philips offers, register your product at www.philips.com/welcome.

This DVD Home Theater System is designed to complement your home perfectly. Enjoy the DVD Home Theater System with multi-channel surround sound and excellent picture quality.

Introduction

With this unit, you can:

- watch video from DVD/VCD/SVCD or USB devices
- enjoy audio from discs or USB devices
- view pictures from discs or USB devices
- listen to FM radio
- Control EasyLink-compliant devices through a single remote control
- Sync audio output with the video output


You can enrich sound output with these sound effects:

- Surround sound experience
- Preset sound modes

The unit supports these media/disc formats:



You can play DVD discs with the following region codes:

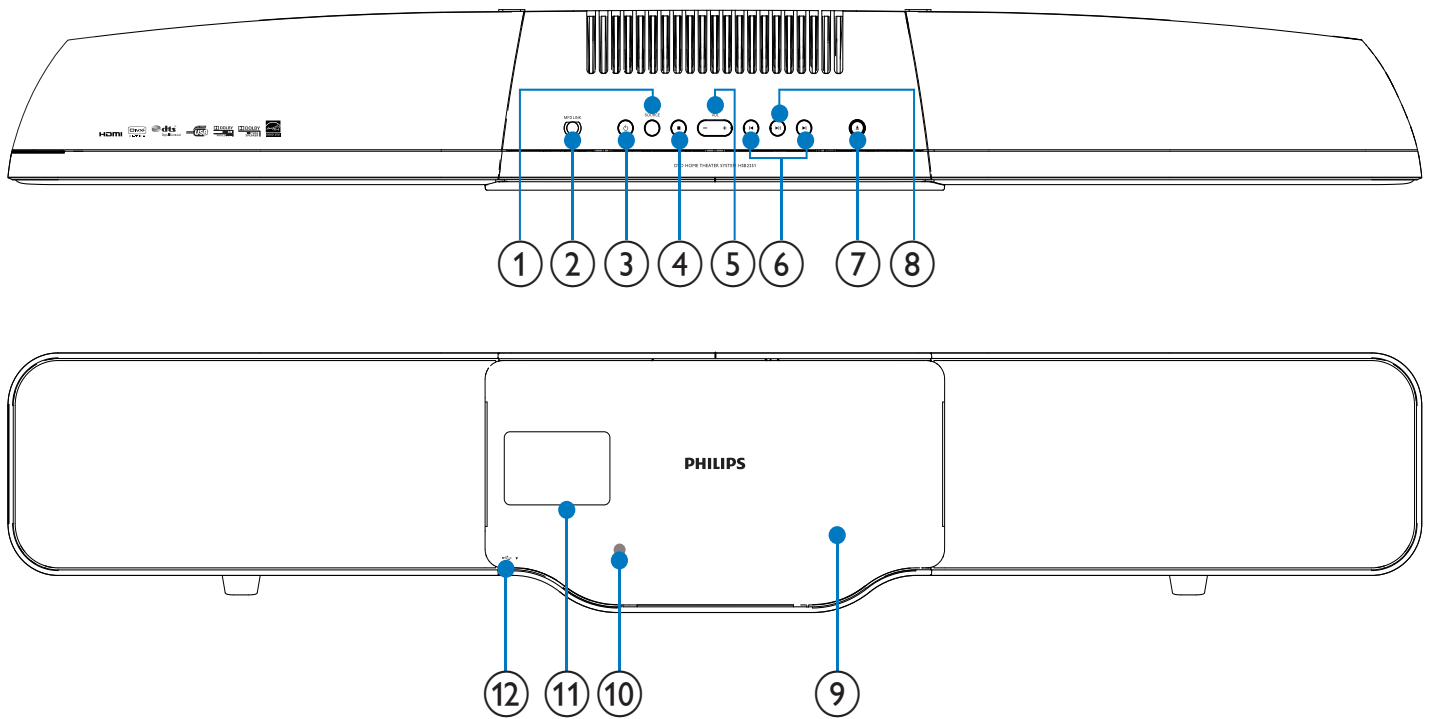
DVD region code	Countries
	U.S.A. and Canada

What's in the box

Check and identify the contents of your package:

- Main unit
- Speakers (x 2)
- Power adaptor for the main unit
- Power cord
- Remote control (with batteries)
- FM wire antenna
- AV cable (red/white/yellow)
- USB extension cable
- Wall mount bracket and screws (x4)

Overview of the main unit



! Caution

- Use of controls or adjustments or performance of procedures other than herein may result in hazardous radiation exposure or other unsafe operation.

① SOURCE

- Select a source.

② MP3 LINK

- Jack for an external audio device.

③

- Turn on the unit or switch to standby mode.

④

- Stop play.
- Erase a preset radio station.

⑤ VOL -/+

- Adjust volume.

⑥

- Skip to the previous/next title/ chapter/track.
- Select a preset radio station.

⑦

- Open the disc compartment.

⑧

- Start or pause play.

⑨ Disc compartment

⑩ Remote control sensor

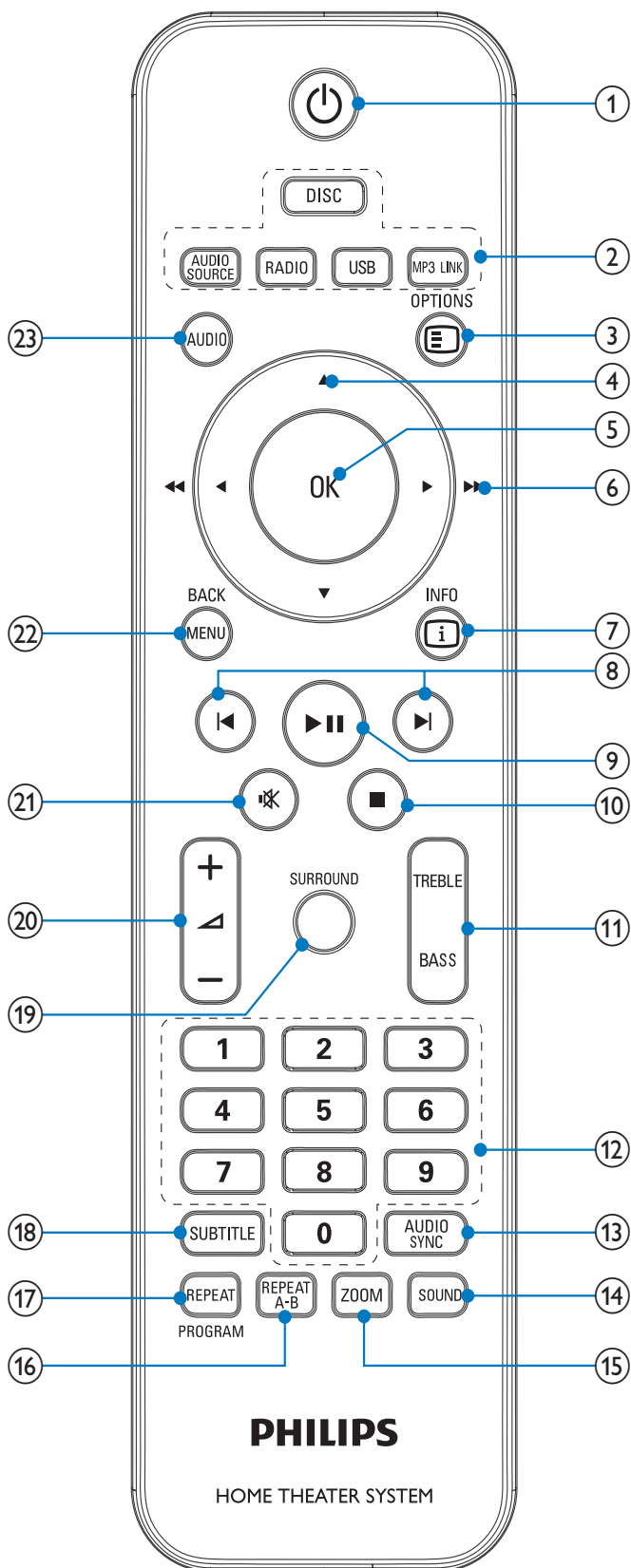
⑪ Display panel

- Display current status.

⑫

- USB socket.

Overview of the remote control



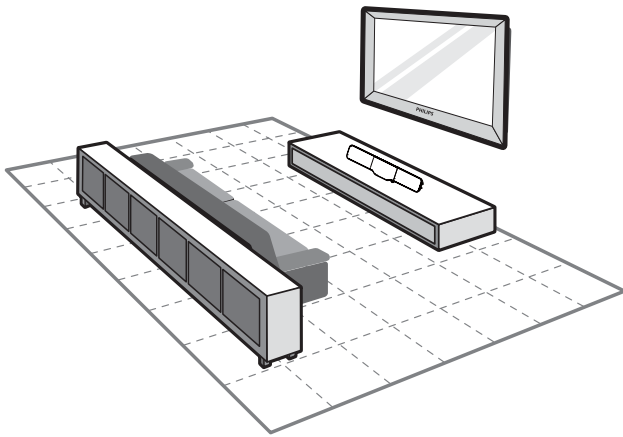
- ① **Power**
 - Turn on the unit or switch to standby mode.
- ② **Source selection keys**
 - Select a source.
- ③ **OPTIONS**
 - Access or exit the system setup menu.
- ④ **▲/▼**
 - For menus: navigate up/down.
 - Move an enlarged picture up/down.
 - Rotate or invert pictures.
- ⑤ **OK**
 - Confirms an entry or selection.
- ⑥ **◀/▶ (◀◀/▶▶)**
 - For menus, navigate left/right.
 - Search within a track or disc.
 - Move an enlarged picture left/right.
 - Tune to a radio station.
- ⑦ **INFO**
 - For video/audio play, display information about the current status or the disc.
 - For pictures, display a thumbnail view of picture files.
- ⑧ **◀▶**
 - Skip to the previous/next title/ chapter/track.
 - Select a preset radio station.
- ⑨ **▶||**
 - Start or pause play.
- ⑩ **■**
 - Stop play.
 - Erase a preset radio station.
- ⑪ **TREBLE / BASS**
 - Selects treble or bass mode. Press ▲/▼ to set the level for treble or bass.
- ⑫ **Numeric keypad**
 - Select a title/chapter/track directly.
 - Select a preset radio station directly.
- ⑬ **AUDIO SYNC**
 - Access audio delay setting.
- ⑭ **SOUND**
 - Selects a predefined sound effect.

- ① **Power**
 - Turn on the unit or switch to standby mode.

- ⑮ **ZOOM**
 - For pictures or video: zoom in/out.
- ⑯ **REPEAT A-B**
 - Repeat a specific section within a track/disc.
- ⑰ **REPEAT/PROGRAM**
 - Selects or turns off repeat or shuffle mode.
 - Program radio stations.
- ⑱ **SUBTITLE**
 - Select DVD or DivX subtitle language.
- ⑲ **SURROUND**
 - Enable/disable Dolby Virtual Speakers (DVS) sound effect.
- ⑳ **▲ +/-**
 - Adjust volume.
- ㉑ **🔇**
 - Mute or restore volume.
- ㉒ **MENU/BACK**
 - Return to the previous screen.
 - For video discs: access or exit the disc menu.
 - For video discs with playback control(PBC): turn on/off PBC.
- ㉓ **AUDIO**
 - For VCD, select stereo, mono-left or mono-right channel.
 - For DVD/DivX video, select an audio language.

3 Connect

Place the unit



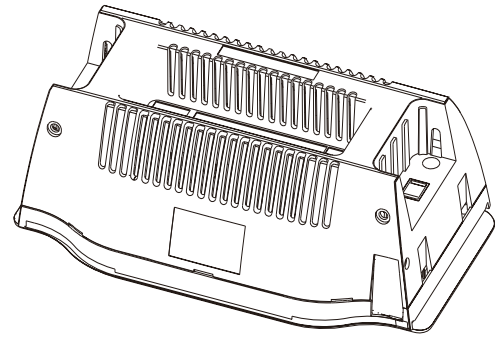
- 1 Place the unit near to the TV.
- 2 Keep the speakers at the normal listening ear-level and directly parallel to the listening area.

Note

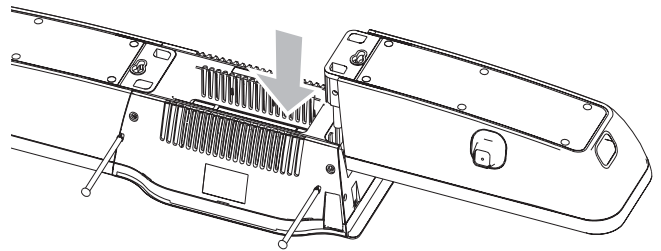
- To avoid magnetic interference or unwanted noise, never place this apparatus and speakers too close to any radiation devices.
- Never place this unit in an enclosed cabinet.
- Install this unit near the AC outlet where the AC power plug can be easily reached.

Attach speakers to the main unit

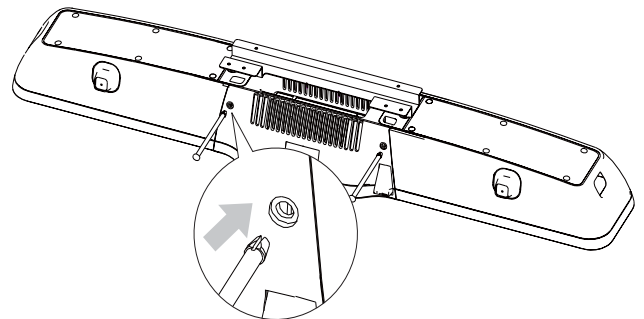
- 1 Place the main unit on a soft and flat surface.
 - Ensure that the rear side faces upwards.



- 2 Attach the left speaker to the left side of the main unit.



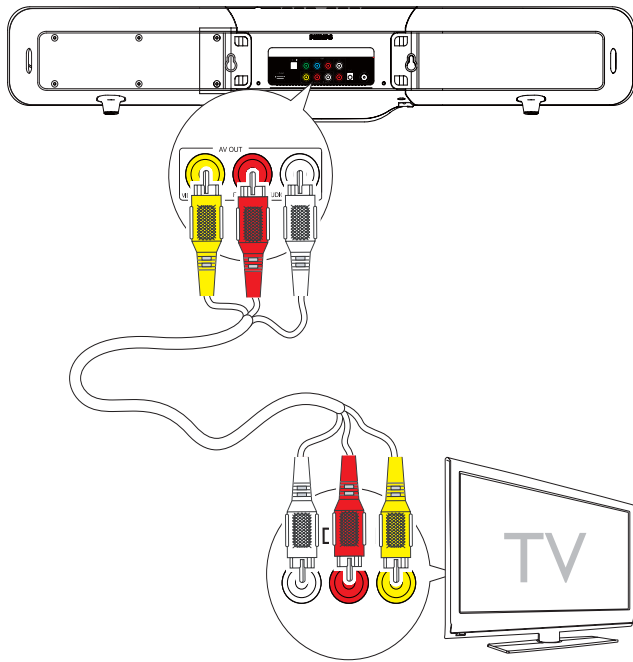
- 3 Repeat step 2 to attach the right speaker.
- 4 Insert the supplied studs into the holes.



Connect TV

Option 1: Connect through AV cable - Basic quality

AV out provides basic analogue connectivity.



- 1 Connect one end of the AV cable (red/white/yellow) to the AV input sockets on the TV.
- 2 Connect the other end to the **AV OUT (VIDEO , AUDIO L/R)** sockets on the unit.

Note

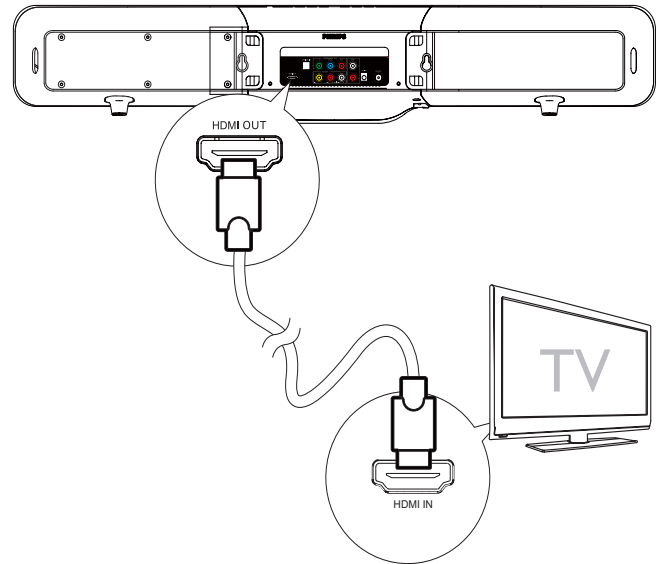
- If you want to listen to sound from the unit instead of from TV, connect the video cable (yellow) only. Do not connect the audio cable (red and white).

Option 2: Connect through HDMI - Highest quality

If you want to experience full high-definition video, use HDMI connection. HDMI provides an uncompressed, digital interface between your TV and the unit. Both audio and video signals are combined in one HDMI cable.

Note

- To use Philips EasyLink, you must use HDMI connection (see "Use Philips EasyLink").
- This unit is HDMI CEC compatible. It enables the connected TV/device to control each other over HDMI.



- 1 **Connect an HDMI cable (not supplied) to:**
 - - the **HDMI** socket on this unit.
 - - the HDMI input socket on the TV.

Tip

- If your TV has only a DVI connection, connect through a HDMI/DVI adaptor. An extra audio connection is needed to complete this connection.

Option 3: Connect through component - Higher quality

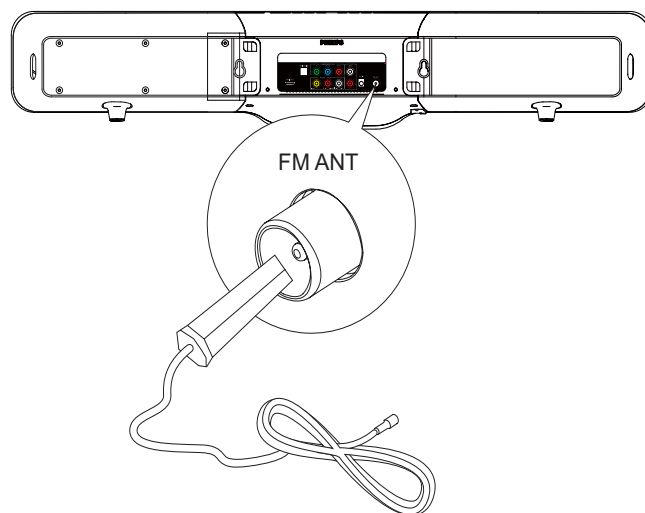
Component video provides better picture quality than AV out connections. Though component video supports high-definition signals, picture quality is lower than HDMI and is analogue.

Connect FM antenna

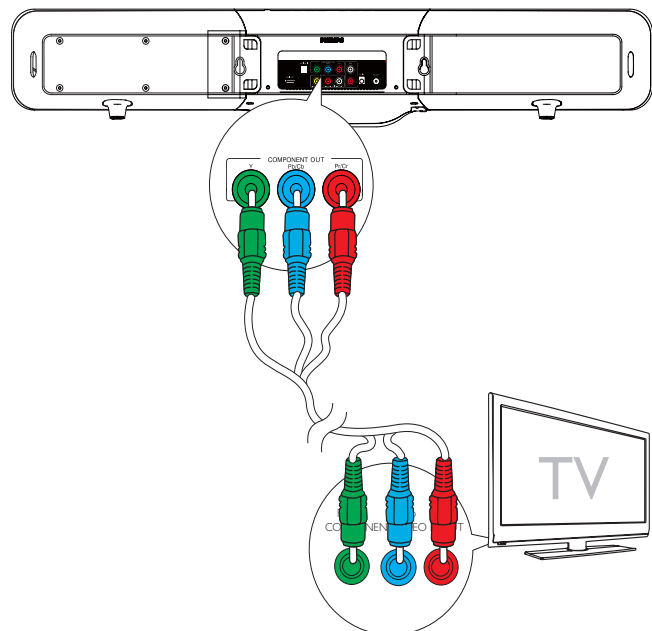


Tip

- This unit does not support MW radio reception.

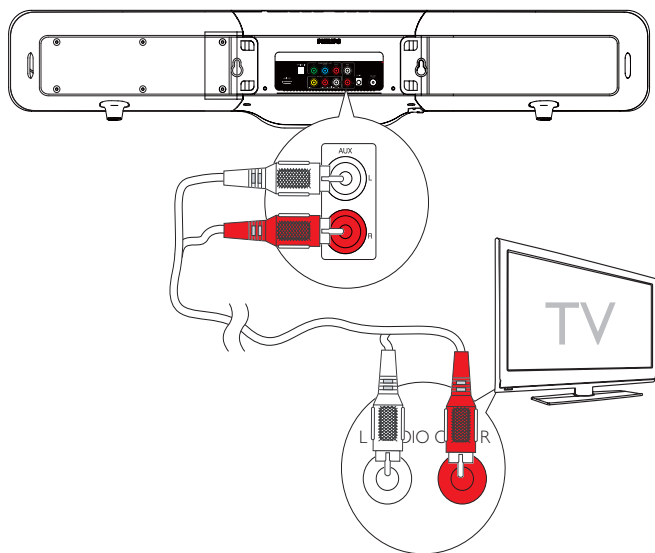


- 1 Connect the supplied FM antenna to the **FM ANT** socket on the unit.



- 1 Connect a component video cable (red/blue/green - not supplied) to:
 - - the **COMPONENT** (Pr/Cr Pb/Cb Y) sockets on this unit.
 - - the component input sockets on the TV.

Connect audio cables



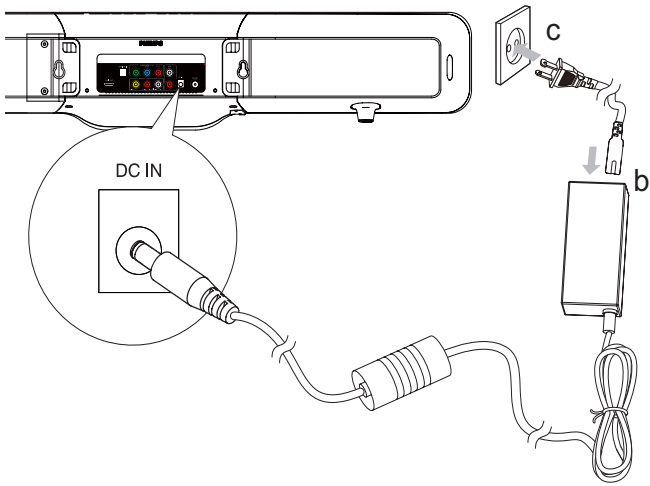
- 1 To play sound from the TV through this unit, connect audio cables (red/white - not supplied) to:
 - the **AUX L/R** sockets on this unit.
 - the audio output sockets on the TV.

Connect power



Caution

- Risk of product damage! Ensure that the power supply voltage corresponds to the voltage printed on the back or the underside of the unit.
- Risk of electric shock! When you unplug the AC power, always pull the plug from the socket. Never pull the cord.
- Before you connect the AC power, ensure you have completed all other connections.



Connect the power adaptor with main unit and power cord, then connect the plug to the wall outlet.

4 Get started

! Caution

- Use of controls or adjustments or performance of procedures other than herein may result in hazardous radiation exposure or other unsafe operation.

Always follow the instructions in this chapter in sequence.

If you contact Philips, you will be asked for the model and serial number of this apparatus. The model number and serial number are on the back of the apparatus. Write the numbers here:

Model No. _____

Serial No. _____

Prepare the remote control

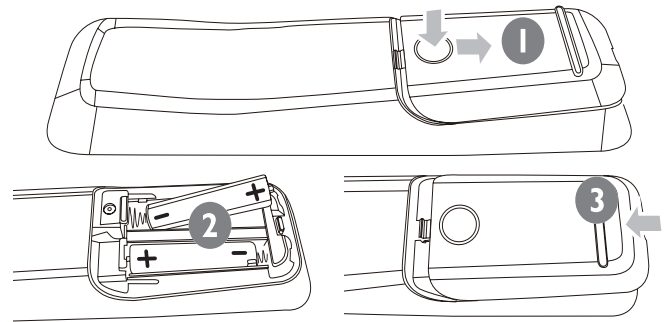
! Caution

- Risk of explosion! Keep batteries away from heat, sunshine or fire. Never discard batteries in fire.
- Risk of decreased battery life! Never mix different brands or types of batteries.
- Risk of product damage! When the remote control is not used for long periods, remove the batteries.

≡ Note

- Perchlorate Material - special handling may apply. See www.dtsc.ca.gov/hazardouswaste/perchlorate.

- 1 Open the battery compartment.
- 2 Insert two R03 or AAA batteries with correct polarity (+/-) as indicated.
- 3 Close the battery compartment.



Turn on

- 1 Press .
↳ The unit switches to the last selected source.

Find the correct viewing channel

- 1 Press **DISC** to switch to disc mode.
- 2 Press the source button repeatedly on the remote control of your TV.

* Tip

- The video-in channel may be called AV, VIDEO, HDMI etc. See the TV user manual on how to select the correct input on the TV.

Select the correct TV system

Change this setting if the video does not appear correctly. By default, this setting matches the most common setting for TVs in your country.

- 1 Press **OPTIONS**.
- 2 Select **[Video Setup]**.
- 3 Select **[TV Type]** and then press **▶**.
- 4 Select a setting and then press **OK**.
 - **[PAL]** - For TV with PAL color system.

- **[NTSC]** - For TV with NTSC color system.
- **[Multi]** - For TV that is compatible with both PAL and NTSC.

5 To exit the menu, press **⏏** **OPTIONS**.

Select menu display language

- 1** Press **⏏** **OPTIONS**.
- 2** Select **[General Setup]**.
- 3** Select **[OSD Language]** and then press **▶**.
- 4** Select a setting and then press **OK**.
- 5** To exit the menu, press **⏏** **OPTIONS**.

Turn on Progressive Scan

Progressive scan displays twice the number of frames per seconds than interlaced scanning (ordinary TV system). With nearly double the number of lines, progressive scan offers higher picture resolution and quality.

Before you turn on this feature, ensure that:

- The TV supports progressive scan signals.
- You have connected this unit with the TV through component video.

- 1** Turn on the TV.
- 2** Ensure that the TV progressive scan mode is deactivated (see the TV user manual).
- 3** Switch the TV to the correct viewing channel for this unit.
- 4** Press **DISC**.
- 5** Press **⏏** **OPTIONS**.
- 6** Press **▲/▼** to select **[Video Setup]** in the menu, then press **▶**.
- 7** Select **[Progressive] > [On]**, then press **OK**.
↳ A warning message is displayed.
- 8** To proceed, select **[Ok]** and press **OK**.
↳ The progressive setup is complete.

Note

- If a blank/distorted screen is displayed, wait for 15 seconds for auto recovery or turn off progressive scan manually.

9 Turn on the progressive scan mode on the TV.

Turn off progressive scan manually

- 1** Turn off the progressive scan mode on the TV.
- 2** Press **⏏** **OPTIONS**.
- 3** Press **▲/▼** to select **[Video Setup]** in the menu, then press **▶**.
- 4** Select **[Progressive] > [Off]**, then press **OK**.
- 5** To exit the menu, press **⏏** **OPTIONS**.

Use Philips EasyLink

This unit supports Philips EasyLink, which uses the HDMI CEC (Consumer Electronics Control) protocol. EasyLink-compliant devices that are connected through HDMI connectors can be controlled by a single remote control.

Note

- Philips does not guarantee 100% interoperability with all HDMI CEC devices.

- 1** Turn on the HDMI CEC operations on the TV or other connected devices. See TVs/ devices manual for details.
- 2** You can now enjoy the following Philips EasyLink controls.

One touch play[Auto Wakeup TV]

When you press ►||, this unit will wake up from standby mode and start disc play (if a video disc is found in the disc compartment). At the same time, your TV will also be turned on and be switched to the correct viewing channel.

One touch power-off[System Standby]

When you connect this unit to devices that support standby mode, you can use the remote control of this unit to switch this unit and all connected HDMI devices to standby mode. You can also use the remote control from any of the connected HDMI devices to perform one-touch standby .

One touch audio play[System Audio Control]

When you connect this unit to HDMI CEC compliant devices, the unit can switch automatically to play audio from the connected device.

5 Play

Note

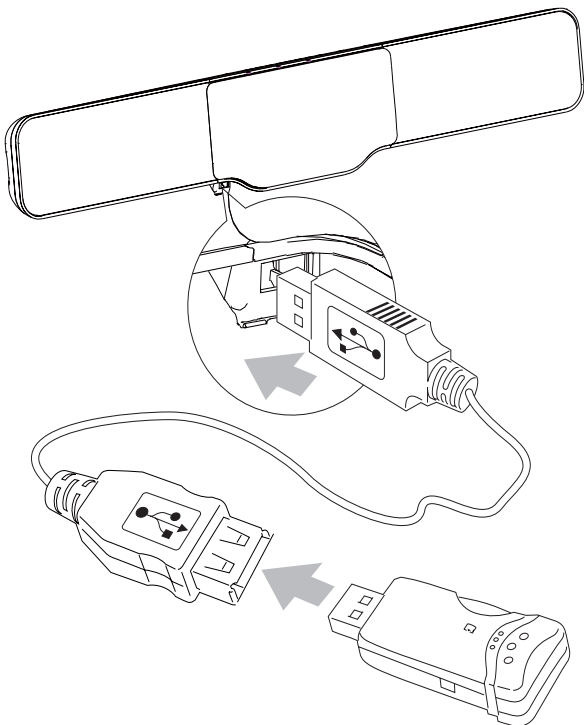
- With some disc/file types, play may differ.

Play from USB

Note

- Ensure that the USB device contains playable music, pictures or video.

- 1 Connect the supplied USB extension cable to:
 - the USB device
 - the  socket



- 2 Press **USB** to select the USB source.
↳ A contents menu is displayed.
- 3 Select a folder, then press **OK**.
- 4 Select a file to play, then press **▶II**.

- To return to the main menu, press **▲** until the 'Previous' folder is selected, then press **OK**.
- To stop play, press **■**.
- To pause or resume play, press **▶II**.
- To skip to the previous/next file, press **◀/▶**.

Play DivX video

You can play DivX files copied onto a CD-R/RW, recordable DVD or USB device.

- 1 Insert a disc or connect a USB device.
- 2 Select a source:
 - For discs, press **DISC**.
 - For USB devices, press **USB**.
- 3 Select a title to play, then press **▶II**.
 - To stop play, press **■**.
 - To pause or resume play, press **▶II**.
 - To change a subtitle language, press **SUBTITLE**.

Note

- You can only play DivX videos rented or purchased through the DivX registration code of this unit.
- Subtitle files with the following filename extensions (.srt, .smi, .sub, .ssa, .ass) are supported but do not appear on the file navigation menu.
- The subtitle filename has to be the same as the file name of the video.

Play MP3/WMA/picture files

You can play MP3/WMA/picture files copied onto a CD-R/RW, recordable DVD or USB device.

- 1 Insert a disc or connect a USB device.
- 2 Select a source:
 - For discs, press **DISC**.
 - For USB devices, press **USB**.
 - A contents menu is displayed.
- 3 Select a folder, then press **OK**.

- 4 Select a file to play, then press ►||.
- To return to the main menu, press ▲ until the 'Previous' folder is selected, then press **OK**.
 - To stop play, press ■.
 - To pause or resume play, press ►||.
 - To skip to the previous/next file, press ◀/▶.

Play control

Select repeat/shuffle play options

- 1 During play, press **REPEAT/PROGRAM** repeatedly to select a repeat option or the shuffle play mode.
- To resume normal play, press **REPEAT/PROGRAM** repeatedly until **[Repeat Off]** is displayed.

Repeat A-B (DVD/VCD/CD/MP3/WMA)

- 1 During music or video play, press **REPEAT A-B** at the start point.
- 2 Press **REPEAT A-B** at the end point.
- ↳ The selected section starts to play repeatedly.
- To cancel repeat play, press **REPEAT A-B** again.

Note

- The section A and B can be set only within the same track/title.

Search forward/backward

- 1 During play, press ◀/▶ (◀◀/▶▶) repeatedly to select a search speed.
- To resume play at normal speed, press ►||.

Resume video play from last stopped point

Note

- This feature is only available for video play.

- 1 In stop mode and when the disc has not been removed, press **OK**.

To cancel resume mode and stop play completely:

- 1 In stop mode, press ■.

Play discs

Caution

- Never look at the laser beam inside the unit.
- Risk of product damage! Never play discs with accessories such as disc stabilizer rings or disc treatment sheets.
- Never put any objects other than discs into the disc compartment.

- 1 Press **DISC** to select the DISC source.
- 2 Press ▲ on the main set to open the disc compartment.
- 3 Place a disc into the disc compartment and press ►||.
- ↳ Ensure that the label faces outwards.
- 4 Play starts automatically.
- To stop play, press ■.
 - To pause or resume play, press ►||.
 - To skip to the previous/next title/chapter/track, press ◀/▶.
- If play does not start automatically:**
- Select a title/chapter/track and then press ►||.

Tip

- To play a locked DVD, enter the 4-digit parental control password.

Use the disc menu

When you load a DVD/(S)VCD disc, a menu may be displayed on the TV screen.

To return to the menu during play:

- 1 Press **MENU/BACK**.

Note

- To see the disc menu of a VCD disc, you must turn on PlayBack Control (PBC) feature of the disc.

Select an audio language

You can select an audio language on DVDs, DivX video or VCDs.

- 1 During disc play, press **AUDIO**.
 - ↳ The language options appear. If the selected audio channels is unavailable, the default disc audio channel is used.

Note

- For some DVDs, the language can only be changed from the disc menu. Press **MENU/BACK** to access the menu.

Select a subtitle language

You can select a subtitle language on DVDs or DivX® Ultra discs.

- During play, press **SUBTITLE**.

Tip

- For some DVDs, the language can only be changed from the disc menu. Press **MENU/BACK** to access the menu.

Sync audio output with video play

If the video play is slower than the audio output (sound does not match with the pictures), you can delay the audio output to match the video.

- 1 Press and hold **AUDIO SYNC** until 'AUDIO SYNC XXX' is displayed.
 - ↳ 'XXX' denotes the delay time.
- 2 Within five seconds, press **◀ +/-** to set the delay time for audio output.

Play options

Display play information

- 1 During play, press **ⓘ INFO** repeatedly to display play information.

Zoom in/out image

- 1 During video/picture play, press **ZOOM** repeatedly to zoom in/out the image.
 - When the image is zoomed in, you can press **◀/▶/▲/▼** to pan through the image.

Change the audio channel

Note

- This feature is only available for VCD/DivX play.

- 1 During play, press **AUDIO** repeatedly to select an audio channel available on the disc:
 - Mono Left
 - Mono Right
 - Stereo

Select an audio language

Note

- This feature is only available for DVDs/DivX videos recorded with multiple audio languages.

- 1 Press **AUDIO** repeatedly to select an audio language.

Select a subtitle language

Note

- This feature is only available for DVDs/DivX videos recorded with multiple audio languages.

- 1 Press **SUBTITLE** repeatedly to select an available subtitle language.

Picture view options

Start slideshow of pictures

- 1 During play, press **■**.
 - ↳ The thumbnails of 12 pictures are displayed.
- 2 Select a file, then press **▶||** to start slideshow play.
 - To go to previous or next screen display, press **◀/▶**.
 - To select a picture, press the cursor buttons.
 - To display the selected photo only, press **OK**.

Rotate picture

- 1 During play, press **▲/▼** to rotate the picture anti-clockwise/clockwise.

Start musical slideshow

You can play MP3/WMA music files and JPEG photo files simultaneously to create musical slideshow. The MP3/WMA and JPEG files must be stored on the same disc or USB device.

- 1 Play MP3/WMA music.
- 2 Navigate to the photo folder/album and press **▶||** to start slideshow play.
 - ↳ Slideshow begins and continues till the end of the photo folder or album.
 - ↳ Audio continues to play till the end of the disc.
 - ↳ To return to the menu, press **MENU/BACK**.
- 3 To stop slideshow play, press **■**.
- 4 To stop music play, press **■** again.

6 Adjust settings

- 1 Press **⏏** **OPTIONS**.
- 2 Select a setup page.
- 3 Select an option and then press **▶**.
- 4 Select a setting and then press **OK**.
 - To return to the previous menu, press **◀**.
 - To exit the menu, press **⏏** **OPTIONS**.

General setup

On **[General Setup Page]**, you can set the following options:

[EasyLink]

If this unit is connected to HDMI CEC compliant TV/devices, all connected devices can respond to the following commands simultaneously:

Option	Description
[One Touch Play]	When you press ▶ , the TV and this unit are turned on. Disc play starts if there is a disc in the unit.
[System Standby]	When you press and hold ⏏ , connected HDMI CEC devices simultaneously switch to standby. To disable this feature, select [Decline] .
[System Audio Control]	When you play audio that is routed from the connected devices, this unit switches to the corresponding audio source automatically. To enable this feature, select [On] . Then proceed to [Audio Input Mapping] to scan and map all the connected devices.
[Audio Input Mapping]	When you map the audio input correctly, this unit switches to the audio from the played device automatically.

Note

- You must turn on the HDMI CEC operations on the TV/devices before you can enjoy the EasyLink controls. See the TV/devices manual for details.

Philips does not guarantee 100% interoperability with all HDMI CEC compliant devices.

[Disc Lock]

Set play restriction for specific discs. Before you start, place the disc in the disc compartment (maximum 40 discs can be locked).

- **[Lock]** – Restrict access to the current disc. You need to enter a password to unlock and play the disc.
- **[Unlock]** – Play all discs.

Tip

- To set or change the password, go to **[Preference Setup] > [Password]**.

[Display Dim]

Changes the brightness level of the display panel on this unit.

- **[100%]** – Normal brightness.
- **[70%]** – Medium brightness.
- **[40%]** – Dimmest display.

[OSD Language]

Select the preferred language for on-screen display.

[Screen Saver]

The screen saver protects the TV screen damage due to prolonged exposure to a static image.

- **[On]** – Enable the screen saver.
- **[Off]** – Disable the screen saver.

[Sleep Timer]

Switches to standby automatically after the preset time.

- **[15 mins], [30 mins], [45 mins], [60 mins]** – select the count down time before the apparatus switches to standby.
- **[Off]** – disable sleep mode.

[DivX(R) VOD Code]

Display the DivX® registration code.



Tip

- Enter this DivX registration code when you rent or purchase video from www.divx.com/vod. The DivX videos rented or purchased through the DivX®VOD (Video On Demand) service can be played only on the device to which it is registered.

Audio setup

On **[Audio Setup Page]**, you can set the following options:

[HDMI Audio]

When you connect this apparatus and TV with an HDMI cable, select the audio output setting for this connection.

- **[On]** – the sound is output through both your TV and this apparatus. If the audio format on the disc is not supported, it is downmixed to two-channel sound (Linear-PCM).
- **[Off]** – disable audio output from the TV. The sound is only output through this apparatus.

[Night Mode]

Make loud sound level softer and soft sound level louder so that you can watch the DVD movies at a low volume, without disturbing others.

- **[Off]** – enjoy surround sound with its full dynamic range.
- **[On]** – enjoy quiet viewing at night (DVDs only).

Video setup

On **[Video Setup Page]**, you can set the following options:

[TV Type]

Change this setting if the video does not appear correctly. By default, this setting matches the most common setting for TVs in your country.

- **[PAL]** – For TV with PAL color system.
- **[NTSC]** – For TV with NTSC color system.
- **[Multi]** – For TV that is compatible with both PAL and NTSC.

[TV Display]

The TV format determines the aspect ratio of display according to the type of TV you have connected.



4:3 Pan Scan (PS)



4:3 Letter Box (LB)



16:9 (Wide Screen)

- **[4:3 Pan Scan]** – For 4:3 screen TV: full-height display with the trimmed sides.
- **[4:3 Letter Box]** – For 4:3 screen TV: wide-screen display with black bars on the top and bottom of the screen.
- **[16:9 Wide Screen]** – For wide-screen TV: display ratio 16:9.

[Progressive]

Turn on or off progressive scan mode.

[Picture Settings]

Select a predefined set of picture color settings or customize your personal setting.

- **[Standard]** – original color setting.
- **[Bright]** – vibrant color setting.
- **[Soft]** – warm color setting.
- **[Personal]** – customize the color setting. Adjust the level of brightness, contrast, sharpness/tint and color saturation.

[HDMI Video] – Select the HDMI video output resolution that is compatible with your TV display capability.

Option	Description
[Auto]	Detect and select the best supported video resolution automatically.
[480p], [576p], [720p], [1080i], [1080p]	Select a video resolution that is best supported by your TV. See your TV manual for details.

[Closed Caption]

Turn off or on display captions.

- **[On]** – show the sound effects in subtitles. Applicable only to discs with Closed Caption information included and the TV that supports this feature.
- **[Off]** – turn off closed caption.

Preference setup

On **[Preference Page]**, you can set the following options:

[Audio]

Select the preferred audio language for disc play.

[Subtitle]

Select the preferred subtitle language for disc play.

[Disc Menu]

Select the preferred disc menu language.

Note

- If the language you have set is not available on the disc, the disc uses its own default language.
- For some discs, the subtitle/audio language can only be changed from the disc menu.
- To select the languages that are not listed in the menu, select **[Others]**. Then check the Language Code list at the back of this user manual and enter the respective 4-digit language code.

[Parental]

Restricts access to discs that are unsuitable for children. These types of discs must be recorded with ratings.

- 1) Press **OK**.
- 2) Select a rating level, then press **OK**.
- 3) Press the numeric keys to enter the password.

Note

- Rated discs above the level you set in **[Parental]** require a password to be played.
- The ratings are country-dependent. To allow all discs to play, select '8'.
- Some discs have ratings printed on them but are not recorded with ratings. This function has no effect on such discs.

Tip

- You can set or change the password (see **[Preference Setup]** > **[Password]**).

[PBC]

Turns on or off the content menu of VCDs/ SVCDs with PBC (playback control) feature.

- **[On]** - display index menu when you load a disc for play.
- **[Off]** - skip the menu and start play from the first title.

[MP3]/PEG Nav]

Select to display the folders or display all the files.

- **[With Menu]** – display the folders of MP3/ WMA files.
- **[Without Menu]** – display all the files.

[Password]

Set or change the password for locked discs and play restricted DVDs.

- 1) Press the numeric keys to enter '0000' or your last set password at **[Old Password]** field.
- 2) Enter the new password at **[New Password]** field.
- 3) Enter the new password again at **[Confirm PWD]** field.
- 4) Press **OK** to exit the menu.

Note

- If you forget the password, enter '0000' before you set a new password.

[DivX Subtitle]

Select a character set that supports the DivX subtitle.

[Standard] English, Irish, Danish, Estonian, Finnish, French, German, Italian, Portuguese, Luxembourgish, Norwegian (Bokmål and Nynorsk), Spanish, Swedish, Turkish

[Central Europe] Polish, Czech, Slovak, Albanian, Hungarian, Slovene, Croatian, Serbian (Latin script), Romanian

[Cyrillic] Belarusian, Bulgarian, Ukrainian, Macedonian, Russian, Serbian

[Greek] Greek

[Hebrew] Hebrew

Note

- Ensure that the subtitle file has the exact same file name as the movie file. If for example the file name of the movie is 'Movie.avi', then you will need to name the text file 'Movie.sub' or 'Movie.srt'.

[Version Info]

Display the software version of this apparatus.

Tip

- This information is required when you want to find out if a newest software version is available at the Philips website that you may download and install on this apparatus.

[Default]

Resets all the settings of this apparatus to factory default, except for **[Disc Lock]**, **[Password]** and **[Parental]** settings.

7 Tune to FM radio stations

- 1 Ensure that you have connected and fully extended the supplied FM antenna.
- 2 Press **RADIO**.
- 3 Press and hold **◀/▶** (**◀◀/▶▶**).
- 4 When the frequency indication starts to change, release the button.
 - ↳ The FM tuner tunes to a station with strong reception automatically.
- 5 Repeat steps 3-4 to tune to more stations.

To tune to a weak station:

Press **◀/▶** (**◀◀/▶▶**) repeatedly until you find optimal reception.

Program radio stations automatically

Note

- You can program a maximum of 20 preset radio stations.

- 1 Press **◀/▶** to select a preset number to start programming.
- 2 Press and hold **REPEAT/PROGRAM** for 2 seconds to activate automatic programming.
 - ↳ **[AUTO]** (auto) is displayed briefly.
 - ↳ All available stations are programmed in the order of waveband reception strength.
 - ↳ The last programmed radio station is broadcast automatically.

Program radio stations manually

Note

- You can program a maximum of 20 preset radio stations.

- 1 Tune to a radio station.
- 2 Press **REPEAT/PROGRAM** to activate programming.
- 3 Press **◀/▶** to allocate a number from 1 to 20 to this radio station, then press **REPEAT/PROGRAM** to confirm.
 - ↳ The preset number and the frequency of the preset station are displayed.
- 4 Repeat the above steps to program other stations.

Note

- To overwrite a programmed station, store another station in its place.

Tune to a preset radio station

- 1 Press **◀/▶** to select a preset number that you want.

Tip

- You can also use the numerical keypad to select a preset station directly.

8 Adjust volume level and sound effect

Adjust volume level

- 1 During play, press \triangleleft +/- to increase/decrease the volume level.

Select a sound effect



Note

- You cannot use different sound effects at the same time.

Select a preset sound effect

- 1 During play, press **SOUND** repeatedly to select:
 - **[CLASSIC]** (Concert)
 - **[ROCK]** (Action)
 - **[Sports]** (Gaming)
 - **[Lounge]** (Drama)
 - **[Night]**

Select surround sound effect

DVS (Dolby Virtual Speaker) technology creates a highly compelling 5.1-channel listening experience from as few as two speakers. It is an ideal entertainment solution for locations where space for multiple speaker setup is limited.

- 1 During play, press **SURROUND** to turn on/off surround sound effect.

Adjust treble/bass level

- 1 Press **TREBLE** or **BASS**.

- 2 Within 5 seconds, press \triangleleft +/- to set the level for high tones (treble) or low tones (bass).

Mute sound

- 1 During play, press \times to mute/unmute sound.

9 Connect other devices

Listen to an audio player

You can listen to an audio player through this unit.

- 1** Connect the audio player:
 - For audio players with red/white audio output sockets:
Connect a red/white audio cable (not supplied) to the **AUX IN L/R** sockets and to the audio output sockets on the audio player.
 - For audio players with headphone sockets:
Connect a 3.5mm audio cable (not supplied) to the **MP3 LINK** socket and to the headphone socket on the audio player.
 - For audio players with optical sockets:
Connect an optical cable (not supplied) to the **OPTICAL IN** socket and to the optical output socket on the audio player.
- 2** Select the AUDIO SOURCE or MP3 LINK source.
- 3** Start play on the audio player.

10 Product information



Note

- Product information is subject to change without prior notice.

Specifications

Amplifier

Rated Output Power	2X50WRMS
Frequency Response	20 -20kHz, ± 3 dB
Signal to Noise Ratio	>67dB
Aux Input	500mv RMS, 20kohm

Disc

Laser Type	Semiconductor
Disc Diameter	12cm/8cm
Video Decoding	MPEG-1 / MPEG-2 / DivX
Video DAC	12Bits
Signal System	PAL / NTSC
Video Format	4:3 / 16:9
Video S/N	>48dB
Audio DAC	24Bits / 96kHz
Total Harmonic Distortion	<1%
Frequency Response	4Hz - 20kHz (44.1kHz) 4Hz - 22kHz (48kHz) 4Hz - 24kHz (96kHz)
S/N Ratio	>67dBA

Tuner (FM)

Tuning Range	87.5 - 108MHz
Tuning grid	50KHz
Sensitivity	<22 dBf - Mono, 26dB S/N Ratio
Search Selectivity	>28dBf
Total Harmonic Distortion	<3%
Signal to Noise Ratio	>50dB

Speakers

Speaker Impedance	2x8ohm
Speaker Driver, base	3" woofer
Speaker Driver, tweeter	19mm tweeter
Sensitivity	>83dB/m/W \pm 4dB/m/W

General information

AC power	120V, 60Hz
Operation Power Consumption	45W
Normal Standby power Consumption	<4W
Low Power Standby power Consumption	<1W
Composite Video Output	1.0Vp-p, 75ohm
HDMI (CEC) Output	1.3a
USB Direct	Version 2.0
Dimensions	
- Main Unit (W x H x D)	260 x 140 x 95 mm
- Speakers	310 x 120 x 95 mm
Weight	
- With Packing	5 kg
- Main Unit	1 kg
- Speaker Box	2 x 0.8 kg

Supported disc formats

- Digital Video Discs (DVDs)
- Video CDs (VCDs)
- Super Video CDs (SVCDs)
- Digital Video Discs + Rewritable (DVD+RW)
- Compact Discs (CDs)
- Picture (Kodak, JPEG) files on CDR(W)
- DivX(R) disc on CD-R(W):
- DivX 3.11, 4.x and 5.x
- WMA

Supported MP3-CD formats:

- ISO 9660
- Max. title/album name: 12 characters
- Max. title number plus album: 255.
- Max. nested directory: 8 levels.
- Max. album number: 32.
- Max. MP3 track number: 999.
- Supported sampling frequencies for MP3 disc: 32 kHz, 44.1 kHz, 48 kHz.
- Supported Bit-rates of MP3 disc are: 32, 64, 96, 128, 192, 256 (kbps).
- The following formats are not supported:
 - Files like *.VMA, *.AAC, *.DLF, *.M3U,
 - *.PLS, *.WAV
 - Non-English Album/Title name
 - Discs recorded in Joliet format
 - MP3 Pro and MP3 with ID3 tag

Supported formats:

- USB or memory file format FAT12, FAT16, FAT32 (sector size: 512 bytes)
- MP3 bit rate (data rate): 32-320 Kbps and variable bit rate
- WMA v9 or earlier
- Directory nesting up to a maximum of 8 levels
- Number of albums/ folders: maximum 99
- Number of tracks/titles: maximum 999
- ID3 tag v2.0 or later
- File name in Unicode UTF8 (maximum length: 128 bytes)

Unsupported formats:

- Empty albums: an empty album is an album that does not contain MP3/ WMA files, and is not be shown in the display.
- Unsupported file formats are skipped. For example, Word documents (.doc) or MP3 files with extension .dlf are ignored and not played.
- AAC, WAV, PCM audio files
- DRM protected WMA files (.wav, .m4a, .m4p, .mp4, .aac)
- WMA files in Lossless format

USB playability information

Compatible USB devices:

- USB flash memory (USB 2.0 or USB1.1)
- USB flash players (USB 2.0 or USB1.1)
- memory cards (requires an additional card reader to work with this apparatus)

11 Troubleshooting



Warning

- Never remove the casing of this apparatus.

To keep the warranty valid, never try to repair the system yourself.

If you encounter problems when using this apparatus, check the following points before requesting service. If the problem remains unsolved, go to the Philips web site www.philips.com/welcome. When you contact Philips, ensure that the apparatus is nearby and the model number and serial number are available.

No power

- Ensure that the AC cord of the unit is connected properly.
- Ensure that there is power at the AC outlet.
- As a power-saving feature, the system switches off automatically 15 minutes after track play reaches the end and no control is operated.

No picture

- Check the video connection.
- Turn on the TV to the correct Video-In channel.
- Progressive scan is activated but the TV does not support progressive scan.

USB device not supported

- The USB device is incompatible with the unit. Try another one.

Cannot display some files in USB device

- The number of folders or files in the USB device has exceeded a certain limit. This phenomenon is not a malfunction.
- The formats of these files are not supported.

No picture on HDMI connection.

- Check if the HDMI cable is faulty. Replace a new HDMI cable.
- If this happens when you change the HDMI video resolution, select the correct resolution until the picture appears.

No disc detected

- Insert a disc.
- Check if the label side of the disc faces outwards.
- Wait until the moisture condensation at the lens has cleared.
- Replace or clean the disc.
- Use a finalized CD or correct format disc.

Black and white or distorted picture

- The disc does not match the TV color system standard (PAL/NTSC).
- Sometimes a slight picture distortion may appear. This is not a malfunction.
- Clean the disc.
- A distorted picture may appear during progressive scan setup.

The aspect ratio of the TV screen cannot be changed even though you have set the TV display format.

- The aspect ratio is fixed on the loaded DVD disc.
- The aspect ratio may not be changed for some TV systems.

No sound

- Adjust the volume.
- Check that the speakers are connected correctly.
- If there is no sound in the USB mode, ensure that you have connected a USB device that contains playable music.
- If there is no sound in the AV mode, ensure that you have connected AV devices to the system correctly.

Remote control does not work

- Before you press any function button, first select the correct source with the remote control.
- Reduce the distance between the remote control and the unit.
- Insert the battery with its polarities (+/- signs) aligned as indicated.
- Replace the batteries.
- Aim the remote control directly at the sensor on the front of the unit.

Disc does not play

- Insert a readable disc and ensure that the label side faces outwards.
- Check the disc type, color system and regional code. Check for any scratches or smudges on the disc.
- Press **⏏** **OPTIONS** to exit the system setup menu.
- Disable the password for parental control or change the rating level.
- Moisture has condensed inside the system. Remove the disc and leave the system turned on for about an hour. Disconnect and reconnect the AC power plug, and then turn on the system again.
- As a power-saving feature, the system turns off automatically 15 minutes after disc play reaches the end and no control is operated.

Poor radio reception

- Increase the distance between the unit and your TV or VCR.
- Fully extend the FM antenna.
- Connect an outdoor FM antenna instead.

Unable to select Progressive Scan

- Ensure the component video mode is set to **[YUV]**.

No sound on HDMI connection.

- You may not hear any sound if the connected device is non-HDCP compliant or only DVI-compatible.

Audio or subtitle languages cannot be set

- The disc is not recorded with sound or subtitles in multiple languages.
- The audio or subtitle language setting is prohibited on the disc.

12 Appendix

Mount to a wall

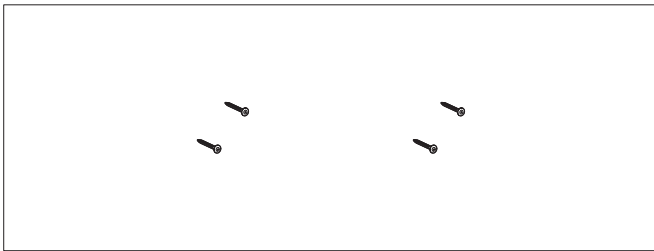
! Caution

- Risk of product damage! Always consult professional personnel to safely mount the product to a wall.
- Risk of injury! Ensure that no supply ducts such as gas, water or electricity are harmed when you drill the holes.

What's in the supplied mounting kit



1 x wall mount bracket for the main unit and speakers



4 x screws

What else you'll need

- Electric drill
- Screwdriver
- Pencil

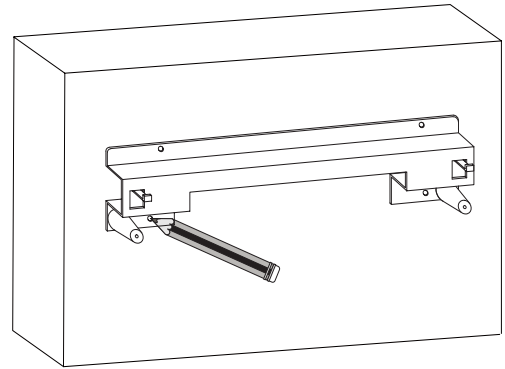
Mount the main unit and speakers

! Caution

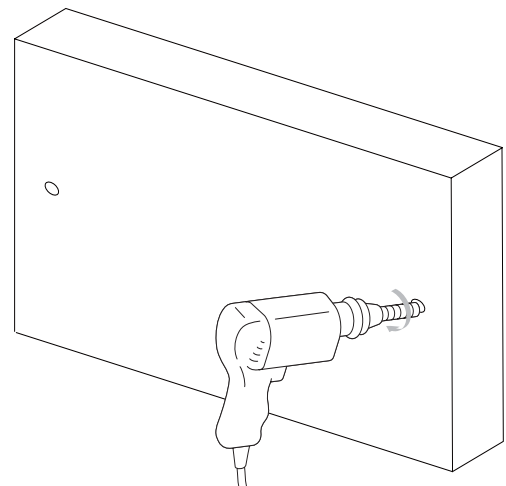
- To find a suitable mounting location, make the necessary physical and wireless connections.
- Mount the main unit and speakers to a solid concrete wall or plaster board wall only!

You can use the supplied bracket to mount the main unit and speakers to the wall.

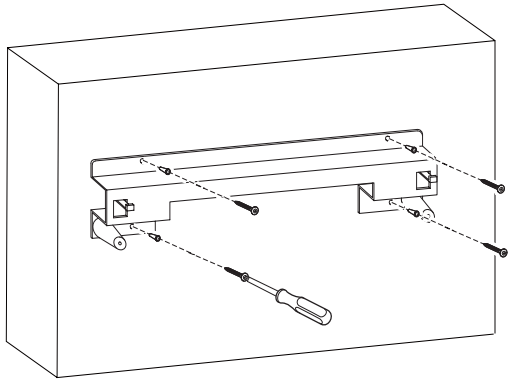
- 1 Align the bracket in the chosen location on a wall. Use a pencil to mark the drilling positions.



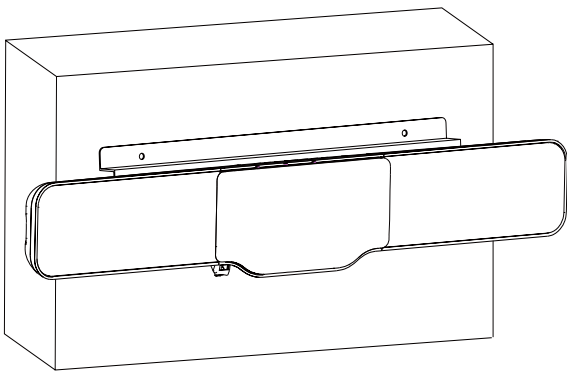
- 2 Drill holes as marked.



- 3 Secure the wall mount bracket onto the wall with 4 supplied screws.



4 Hook the main unit and speakers in place.



13 Glossary

A

Analog audio

Sound that has not been turned into numbers. Analog sound is available when you use the AUDIO LEFT/RIGHT. These red and white jacks send audio through two channels, the left and right.

Aspect ratio

Aspect ratio refers to the length to height ratio of TV screens. The ratio of a standard TV is 4:3, while the ratio of a high-definition or wide TV is 16:9. The letter box allows you to enjoy a picture with a wider perspective on a standard 4:3 screen.

AUX

Auxiliary input that allows you to connect portable audio devices.

C

Composite video (CVBS)

A single video signal commonly used in most consumer video products.

D

Digital Audio

Digital Audio is a sound signal that has been converted into numerical values. Digital sound can be transmitted through multiple channels. Analog sound can only be transmitted through two channels.

Disc menu

A screen display that allows election of images, sounds, subtitles, multi-angles, etc., recorded on a DVD.

DivX®

The DivX® codec is a patent-pending, MPEG-4 based video compression technology developed by DivX®, Inc. It can shrink the file size of digital video and still maintain the high visual quality.

Dolby Digital Pro Logic II

An advanced, matrix decoding technology that expands any two channel audio, such as CDs and stereo encoded videocassettes, video games and TV broadcasts to a five channel full bandwidth (range) playback (Left/Center/Right/Left Surround/Right Surround), resulting in a surround sound experience.

E

EasyLink

Philips Easylink complies to the HDMI CEC industry standard protocol to share functionalities between this unit and its connected devices. This feature is only available if you connect this unit to a HDMI compliant device with a HDMI cable.

H

HDCP

High-bandwidth Digital Content Protection. This is a specification that provides a secure transmission of digital contents between different devices (to prevent unauthorized copyright.)

HDMI

High-Definition Multimedia Interface is a high-speed digital interface that can transmit uncompressed high definition video and digital multichannel audio. It delivers high quality picture and sound quality, completely free from noise. HDMI is fully backward-compatible with DVI.

As required by the HDMI standard, connecting to HDMI or DVI products without HDCP (High-bandwidth Digital Content Protection) will result in no Video or Audio output.

J

JPEG

A very common digital still picture format. A still-picture data compression system proposed by the Joint Photographic Expert Group, which features small decrease in image quality in spite of its high compression ratio. Files are recognized by their file extension '.jpg' or '.jpeg.'

M

MP3

A file format with a sound data compression system. MP3 is the abbreviation of Motion Picture Experts Group 1 (or MPEG-1) Audio Layer 3. With the MP3 format, one CD-R or CD-RW can contain about 10 times more data than a regular CD.

P

Parental control

A function of the DVD to limit playback of the disc by the age of the users according to the limitation level in each country. The limitation varies from disc to disc; when it is activated, playback will be prohibited if the software's level is higher than the user-set level.

PBC

Playback Control. A system where you navigate through a Video CD/SuperVCD with on-screen menus that are recorded onto the disc. You can enjoy interactive playback and search.

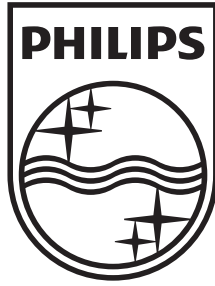
Progressive scan

The progressive scan displays twice the number of frames per second than in an ordinary TV system. It offers higher picture resolution and quality.

S

Surround

A system that creates realistic, three-dimensional sound fields. It is usually achieved with multiple speakers that are arranged around the listener.



Philips and Philips Shield are used under license of Koninklijke

Philips Electronics NV

P&F USA, Inc. PO Box 672768 Marietta, GA 30006

All rights reserved.

Document order number: HSB2351_F7_UM_V2.1

