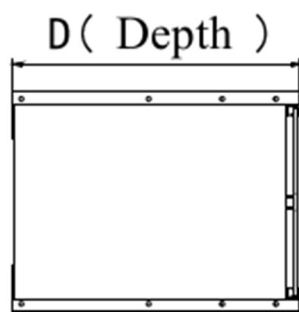
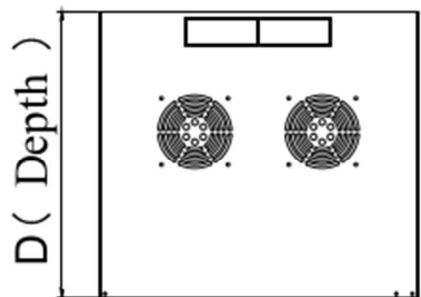
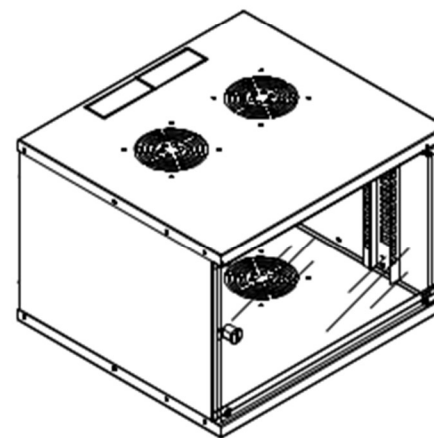


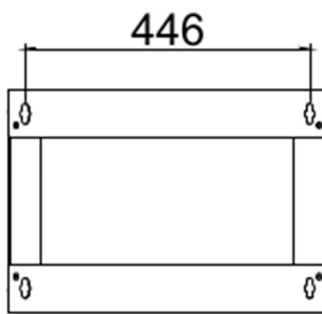
front



side



Top and bottom



back

model	D(Depth)mm	Master Carton		
		Length (mm)	Width (mm)	Height (mm)
I-CASE EL-1009G32	320	570	380	555

