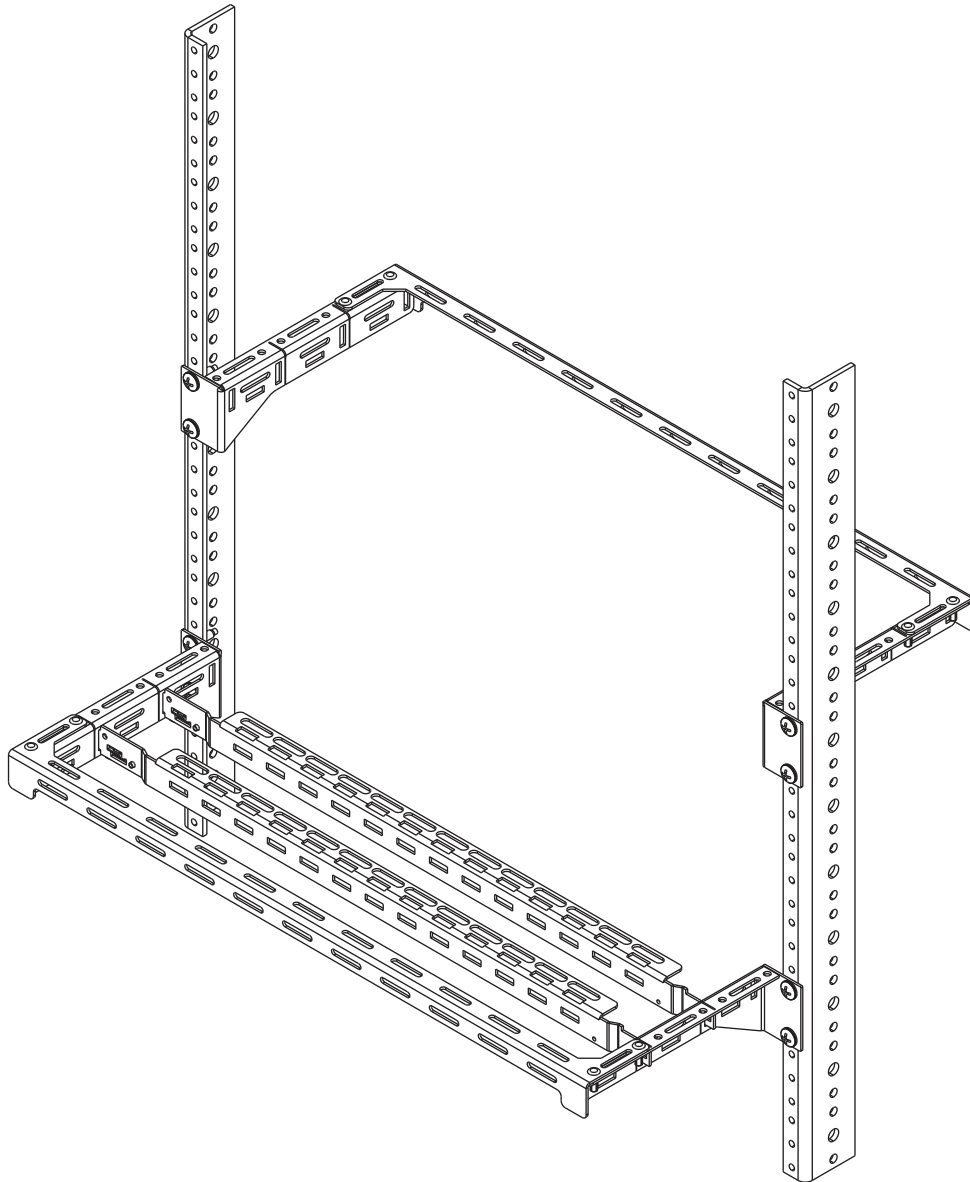


## INSTRUCTION SHEET

# LACE SERIES

### ADJUSTABLE HORIZONTAL LACE OPTION



## THANK YOU

Thank you for purchasing an Adjustable Horizontal Lace option. Please read these instructions thoroughly before installing or assembling this product.

## PRODUCT FEATURES

- Multiple depths of 0", 2" (50.8 mm), 4" (101.6 mm), or 6" (152.4 mm) offset on a single lace bar for cable/signal separation.
- Use optional LL-VA21 Lever Lock™ product (not provided) for multiple depth application.
- Easy break off tabs allows for flexibility.

  
Middle Atlantic Products

100-00017

Rev A

## IMPORTANT SAFETY INSTRUCTIONS

- Read these instructions.
- Heed all warnings.
- Clean only with dry cloth.
- Keep these instructions.
- Follow all instructions.
- Only use attachments/accessories specified by the manufacturer.



**WARNING:** A warning alerts you to a situation that could result in serious personal injury or death.



**WARNING:** Middle Atlantic Products, Inc. electrical systems conform to and should be properly grounded in compliance with requirements of the current National Electrical Code or codes administered by local authorities. All electrical products may present a possible shock or fire hazard if improperly installed or used. Middle Atlantic Products, Inc. electrical products may bear the mark of a Nationally Recognized Testing Laboratory (NRTL) and should be installed in conformance with current local and/or the National Electrical Code.



**WARNING:** Failure to read, understand and follow the following information can result in serious personal injury, damage to the equipment or voiding of the warranty. It is the responsibility of the Installer/User to ensure that this product is loaded according to specifications.

## INSTRUCTIONS IMPORTANTES SUR LA SÉCURITÉ

- Lire ces instructions.
- Respectez tous les avertissements.
- Nettoyer uniquement avec un chiffon sec.
- Conservez ces instructions.
- Suivez toutes les instructions.
- N'utilisez que des accessoires spécifiés par le fabricant.



**AVERTISSEMENT:** Un avertissement vous avertit d'une situation pouvant entraîner des blessures graves ou la mort.

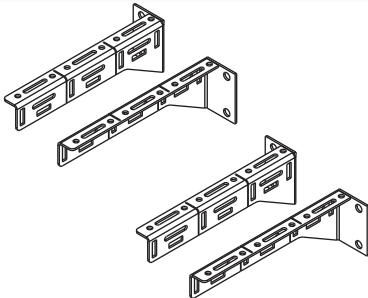


**AVERTISSEMENT:** Middle Atlantic Products, Inc. électrique systèmes conformes à devraient être mis à la terre dans conformité avec les exigences de la National actuelle ou comme les codes électrique administré par les autorités locales autorités. Tous les produits électriques peuvent présenter un choc ou un incendie danger si elle est mal installé ou utilisé. Middle Atlantic Products, Inc. produits électriques peuvent porter la marque d'un Nationally Recognized Testing Laboratory (NRTL) et doit être installé en conformité avec courant local et/ou le National Electrical Code.



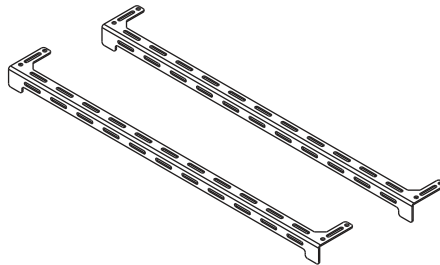
**AVERTISSEMENT:** Refus de lire, comprendre et suivre la renseignements suivants peut traduire par de graves blessures, des dommages à l'équipement ou invalider la garantie. Il est la responsabilité de l'installateur / utilisateur de s'assurer que ce produit est chargé conformément aux spécifications.

## SUPPLIED COMPONENTS AND HARDWARE



(2x Pair) Adjustable Lacing Ears

A



(2x) Horizontal Lacer Bar

B



(10x) Plastic Rivets

C

## REQUIRED TOOLS

- Cutting Pliers
- #2 Phillips Screwdriver
- File



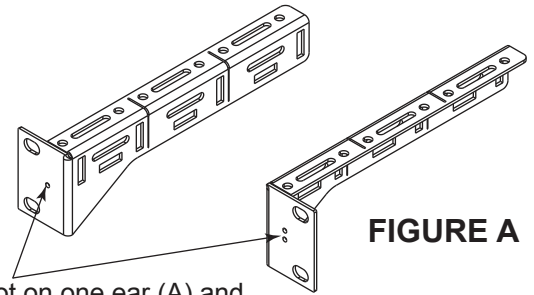
**WARNING:** Use tools with caution and follow all necessary safety protocols.

**AVERTISSEMENT:** Utiliser des outils avec prudence et suivre tous les protocoles de sécurité nécessaires.

## INTRODUCTION

### NOTE:

- While two complete horizontal lace options are provided, this instruction sheet shows the installation of one. Repeat the entire process to install the second, if necessary.
- Adjustable lacing ear pairs are indicated with a single dot on one side and two dots on the other as shown. (FIGURE A)



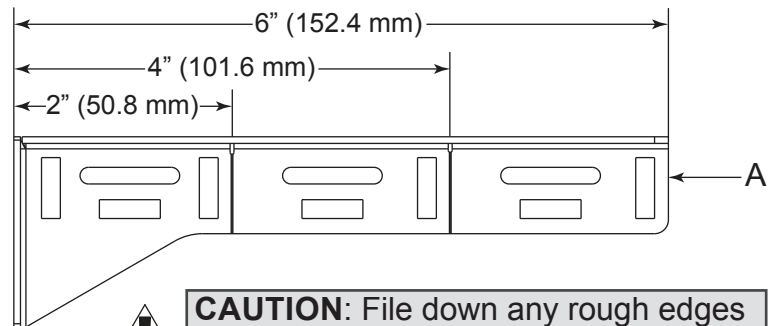
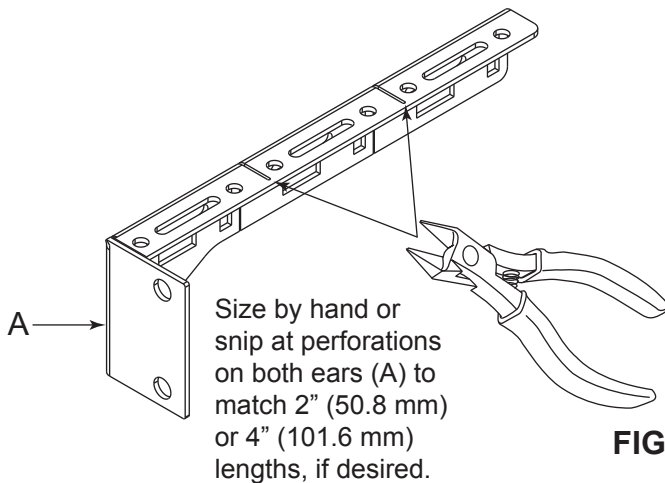
**NOTE:** A single dot on one ear (A) and two dots on the other make one pair.

## SIZING THE LACING EARS (OPTIONAL)

**NOTE:** The lacing ears (A) are 6" (152.4 mm) in length when left uncut.

- Apply pressure at perforations by hand to size your pair of lacing ears (A) to 2" (50.8 mm) or 4" (101.6 mm) lengths, if desired. (FIGURE B)

**NOTE:** You can also size the ears (A) by using cutting pliers to snip at the perforations, if desired.

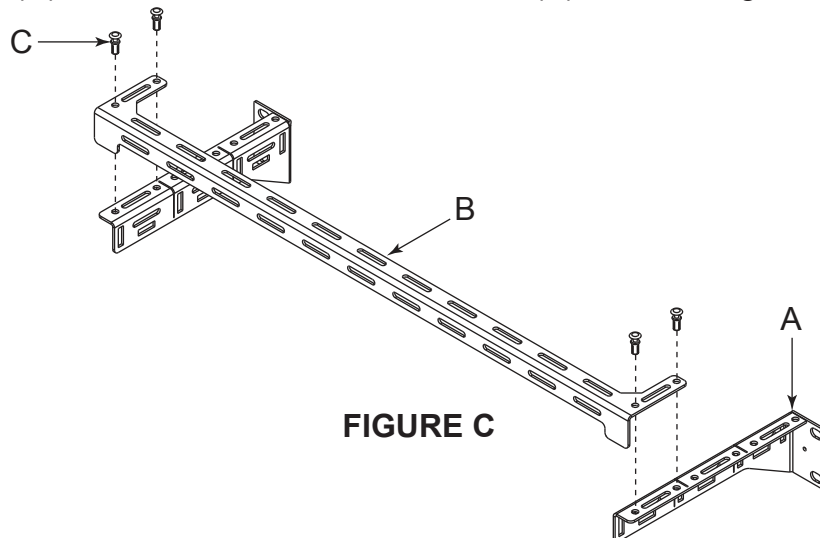


**FIGURE B**

**CAUTION:** File down any rough edges after sizing the ears.  
**ATTENTION:** Limez les aspérités après avoir redimensionné les oreilles.

## INSTALLING THE HORIZONTAL LACER BAR TO PAIR OF LACING EARS

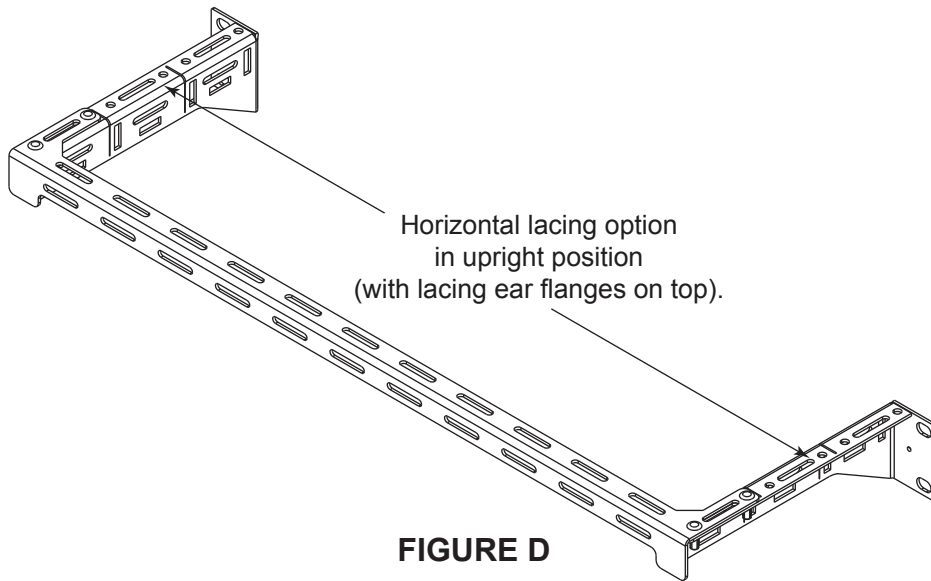
- Use (4x) plastic rivets (C) to attach the horizontal lacer bar (B) to the lacing ears (A) as shown. (FIGURE C)



**FIGURE C**

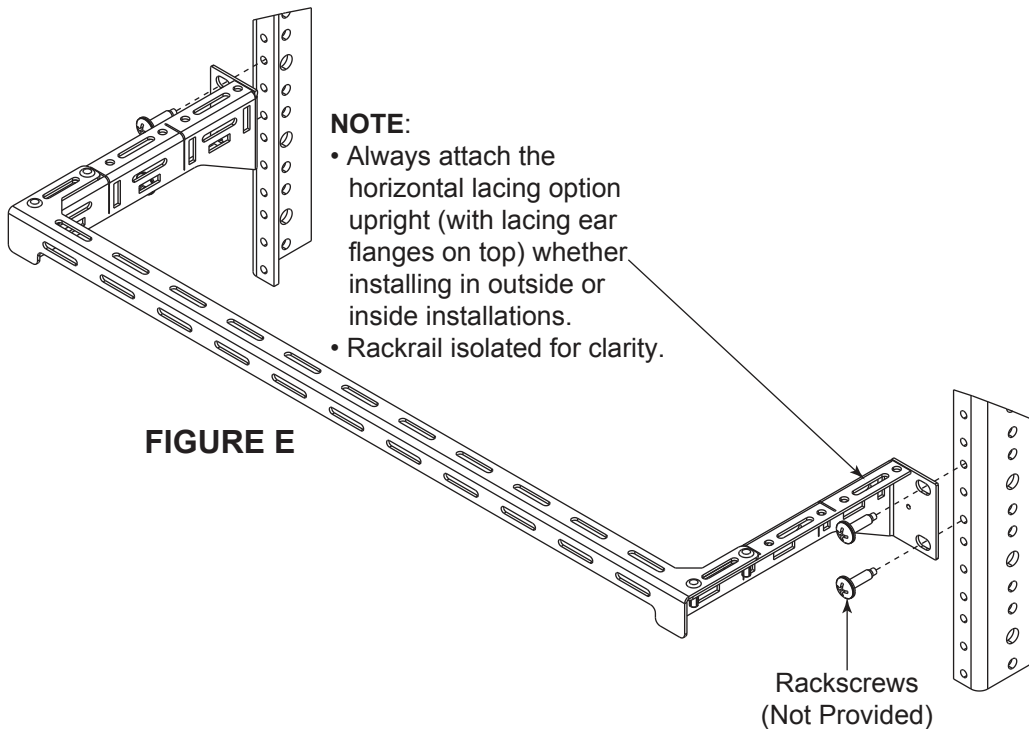
## INSTALLING THE HORIZONTAL LACE OPTION TO RACKRAIL

1. Position your horizontal lacing option upright (with the lacing ear flanges on top) as shown. **(FIGURE D)**



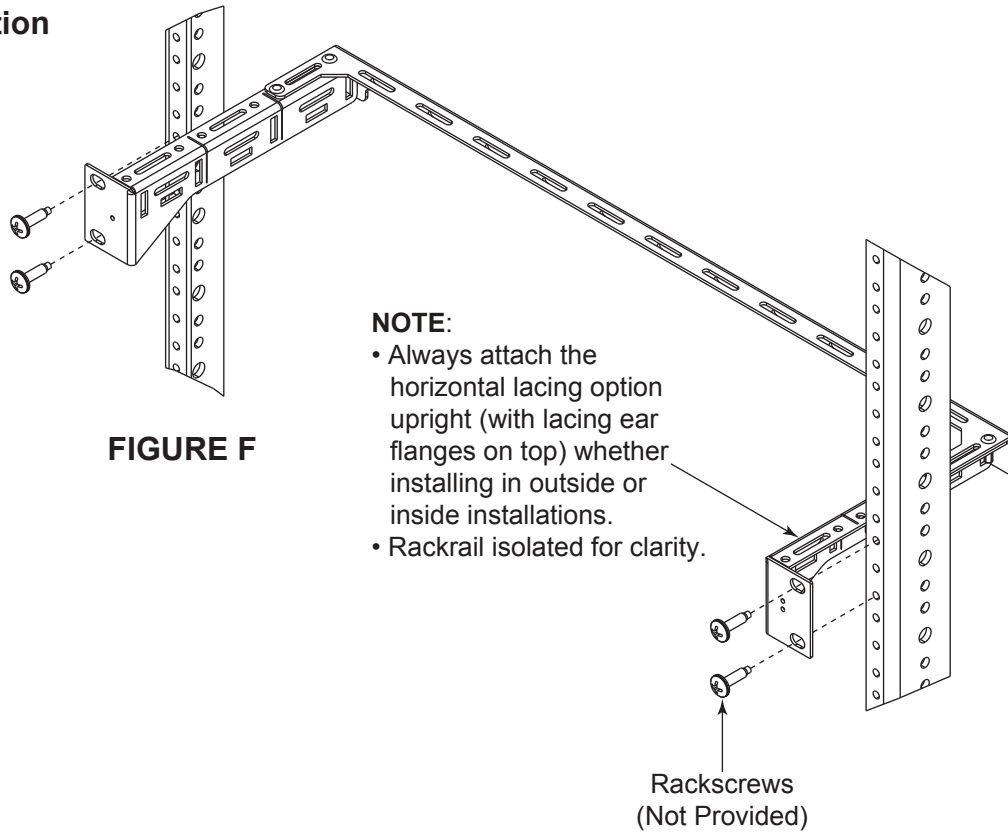
2. Use a #2 Phillips screwdriver and (4x) rackscrews (not provided) to attach the lacing option (2x rackscrews per ear) to the rackrail in an outside or inside installation as shown. **(FIGURE E and F)**

### Outside Installation

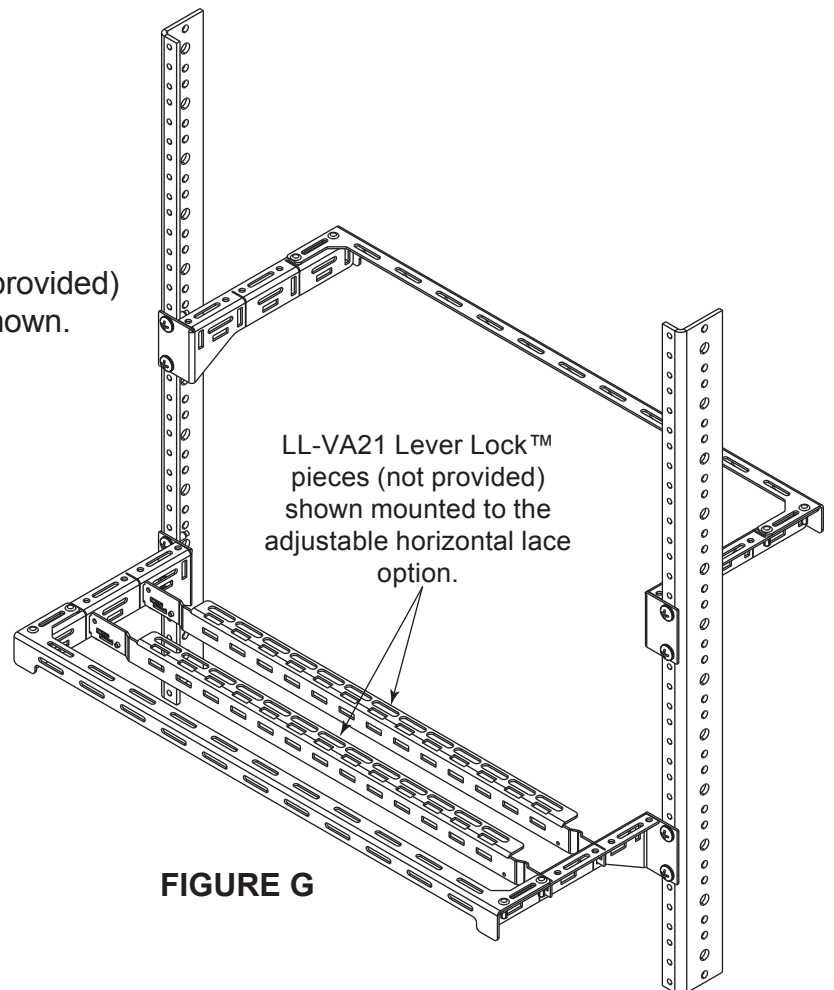


## INSTALLING THE HORIZONTAL LACE OPTION TO RACKRAIL (CONTINUED)

### Inside Installation



**TIP:** Use LL-VA21 Lever Lock™ pieces (not provided) for a multi-plane mounting configuration as shown. **(FIGURE G)**



## **WARRANTY**

For warranty information, refer to <http://www.middleatlantic.com/company/about-us.aspx#warranty>

### **Corporate Headquarters**

Voice: 973-839-1011 - Fax: 973-839-1976 - International Voice: +1 973-839-8821 -  
Fax: +1 973-839-4982 - [www.middleatlantic.com](http://www.middleatlantic.com) - [info@middleatlantic.com](mailto:info@middleatlantic.com)

### **Middle Atlantic Canada**

Voice: 613-836-2501 - Fax: 613-836-2690 - [ca.middleatlantic.com](http://ca.middleatlantic.com) -  
[customerservicecanada@middleatlantic.ca](mailto:customerservicecanada@middleatlantic.ca)

### **Middle Atlantic EMEA Technical Support**

Voice: +31 (0) 495 726002 - [av.emea.middleatlantic.support@legrand.com](mailto:av.emea.middleatlantic.support@legrand.com)

### **Factory Distribution**

United States: New Jersey, California, Illinois - Canada: Ontario - The Netherlands: Weert

**At Middle Atlantic Products we are always listening. Your comments are welcome.**

**Middle Atlantic Products is an ISO 9001 and ISO 14001 Registered Company.**



**Middle Atlantic Products**

what great systems are built on™

[middleatlantic.com](http://middleatlantic.com) ■ 800.266.7225