

# **L1300/L1800 User's Guide**



---

# Contents

<b>L1300/L1800 User's Guide .....</b>	<b>7</b>
<b>Product Basics .....</b>	<b>8</b>
Printer Parts Locations .....	8
Control Panel Buttons and Lights .....	8
Printer Parts - Top .....	9
Printer Parts - Inside .....	10
Printer Parts - Back.....	11
The Power Off and Sleep Timers .....	11
Changing the Power Off and Sleep Timer Settings - Windows .....	11
Changing the Power Off and Sleep Timer Settings - OS X .....	13
<b>Loading Paper .....</b>	<b>15</b>
Loading Paper in the Printer .....	15
Loading Envelopes in the Printer.....	17
Paper Loading Capacity .....	19
Available Epson Papers .....	20
Borderless Paper Type Compatibility .....	23
Paper or Media Type Settings .....	24
<b>Printing From a Computer .....</b>	<b>26</b>
Printing with Windows .....	26
Selecting Basic Print Settings - Windows .....	26
Print Quality Options - Windows .....	29
Multi-Page Printing Options - Windows.....	29
Selecting Double-sided Printing Settings - Windows .....	29
Double-sided Printing Options - Windows.....	31
Selecting Additional Layout and Print Options - Windows .....	31
Custom Color Correction Options - Windows.....	33
Image Options and Additional Settings - Windows.....	34
Selecting Extended Settings - Windows .....	35
Extended Settings - Windows .....	36
Selecting a Printing Preset - Windows.....	37

Printing Your Document or Photo - Windows.....	38
Checking Print Status - Windows.....	39
Selecting Default Print Settings - Windows.....	40
Changing the Language of the Printer Software Screens .....	41
Changing Automatic Update Options .....	42
Printing with OS X .....	43
Selecting Basic Print Settings - OS X .....	44
Print Quality Options - OS X.....	47
Print Options - OS X.....	47
Selecting Page Setup Settings - OS X.....	48
Selecting Print Layout Options - OS X.....	49
Sizing Printed Images - OS X .....	50
Managing Color - OS X.....	50
Color Matching and Color Options - OS X.....	51
Printing Your Document or Photo - OS X.....	52
Checking Print Status - OS X.....	53
Selecting Printing Preferences - OS X.....	54
Printing Preferences - OS X.....	55
Cancelling Printing Using a Product Button.....	55
<b>Refilling Ink.....</b>	<b>56</b>
Ink Safety Precautions .....	56
Check Ink Levels .....	57
Disabling Special Offers with Windows .....	58
Purchase Epson Ink .....	59
Ink Bottle Part Numbers.....	60
Refilling the Ink Tanks .....	61
<b>Adjusting Print Quality.....</b>	<b>66</b>
Print Head Maintenance.....	66
Print Head Nozzle Check.....	66
Checking the Nozzles Using the Product Buttons .....	67
Checking the Nozzles Using a Computer Utility .....	67
Print Head Cleaning .....	69
Cleaning the Print Head Using the Product Buttons.....	70

Cleaning the Print Head Using a Computer Utility .....	70
Ink Tube Flushing .....	72
Flushing the Ink Tubes Using a Computer Utility .....	73
Print Head Alignment .....	74
Aligning the Print Head Using a Computer Utility .....	75
Cleaning the Paper Path .....	77
Checking the Number of Sheets.....	77
Checking the Sheet Counter - Windows .....	77
Checking the Sheet Counter - OS X .....	79
<b>Cleaning and Transporting the Product .....</b>	<b>80</b>
Cleaning the Product.....	80
Transporting Your Product .....	80
<b>Solving Problems .....</b>	<b>84</b>
Checking for Software Updates.....	84
Product Light Status .....	84
Running a Product Check .....	86
Solving Setup Problems .....	87
Noise After Filling the Ink.....	87
Software Installation Problems .....	88
Product Lights Turn On and then Turn Off .....	88
Solving Paper Problems .....	88
Paper Feeding Problems.....	89
Paper Jam Problems .....	89
Paper Ejection Problems .....	91
Solving Problems Printing from a Computer.....	92
Nothing Prints .....	92
Product Icon Does Not Appear in Windows Taskbar .....	93
Printing is Slow .....	94
Solving Page Layout and Content Problems.....	95
Inverted Image.....	95
Too Many Copies Print .....	95
Blank Pages Print .....	96
Incorrect Margins on Printout.....	96

Border Appears on Borderless Prints .....	97
Incorrect Characters Print.....	97
Incorrect Image Size or Position .....	98
Slanted Printout .....	98
Solving Print Quality Problems .....	99
White or Dark Lines in Printout .....	99
Blurry or Smearred Printout .....	100
Faint Printout or Printout Has Gaps .....	102
Grainy Printout.....	102
Incorrect Colors .....	103
When to Uninstall Your Product Software .....	104
Uninstalling Printing Software - Windows .....	104
Uninstalling Product Software - OS X .....	105
Where to Get Help.....	106
<b>Technical Specifications .....</b>	<b>109</b>
Windows System Requirements .....	109
OS X System Requirements.....	109
Printing Specifications .....	110
Paper Specifications .....	110
Printable Area Specifications .....	111
Ink Specifications .....	113
Dimension Specifications .....	114
Electrical Specifications .....	114
Environmental Specifications .....	115
Interface Specifications .....	116
<b>Notices .....</b>	<b>117</b>
Trademarks .....	117
Copyright Notice.....	117
A Note Concerning Responsible Use of Copyrighted Materials.....	118
Default Delay Times for Power Management for Epson Products .....	118
Copyright Attribution .....	118

---

# L1300/L1800 User's Guide

Welcome to the L1300/L1800 *User's Guide*.

For a printable PDF copy of this guide, [click here](#).

---

# Product Basics

See these sections to learn about the basic features of your product.

[Printer Parts Locations](#)

[The Power Off and Sleep Timers](#)

## Printer Parts Locations

See these sections to identify the parts on your printer.

[Control Panel Buttons and Lights](#)

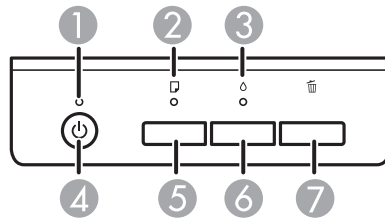
[Printer Parts - Top](#)





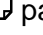
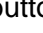
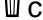
[Printer Parts - Inside](#)

[Printer Parts - Back](#)

**Parent topic:** [Product Basics](#)

## Control Panel Buttons and Lights

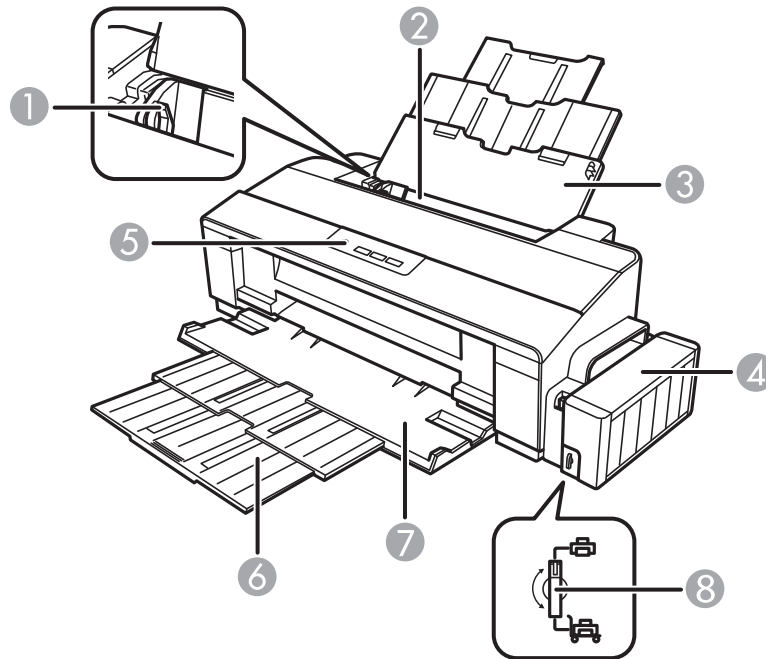


- 1 The  power light
- 2 The  paper light
- 3 The  ink light
- 4 The  power button
- 5 The  paper button
- 6 The  ink button
- 7 The  cancel button



Parent topic: [Printer Parts Locations](#)

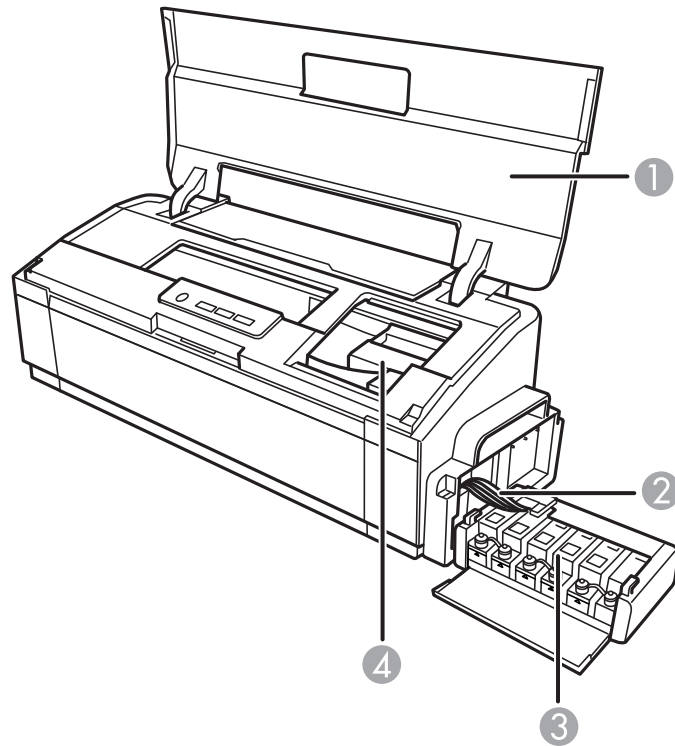
## Printer Parts - Top



- 1 Edge guide
- 2 Rear paper feed
- 3 Paper support
- 4 Ink tank unit
- 5 Control panel
- 6 Output tray extensions
- 7 Output tray
- 8 Transportation lock

Parent topic: [Printer Parts Locations](#)

## Printer Parts - Inside

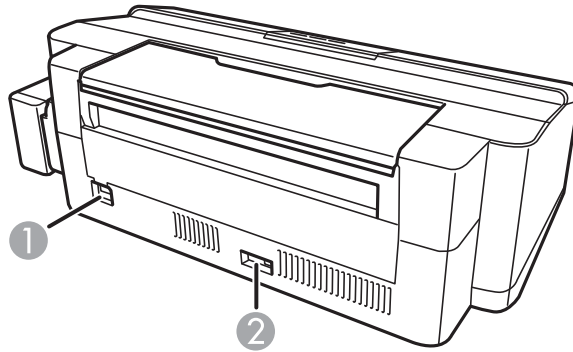


- 1 Printer cover
- 2 Ink tubes
- 3 Ink tanks
- 4 Print head in home position

**Note:** The L1300 uses only 5 ink tanks. The one on the far right is not used.

**Parent topic:** [Printer Parts Locations](#)

## Printer Parts - Back



- 1 AC inlet
- 2 USB port

Parent topic: [Printer Parts Locations](#)

## The Power Off and Sleep Timers

The product enters sleep mode or turns off automatically if it is not used for a period of time. You can adjust the time period before power management, but increasing the time reduces the product's energy efficiency.

[Changing the Power Off and Sleep Timer Settings - Windows](#)

[Changing the Power Off and Sleep Timer Settings - OS X](#)

Parent topic: [Product Basics](#)

## Changing the Power Off and Sleep Timer Settings - Windows

You can use the printer software to change the time period before the printer enters sleep mode or turns off automatically.

1. Access the Windows Desktop, right-click the product icon in the Windows taskbar, and select **Printer Settings**.
2. Click the **Maintenance** tab.
3. Click the **Printer and Option Information** button.

You see this window:

**Printer and Option Information**

Power Off Timer  
Current Printer Setting : Off  
Off

Sleep Timer  
Current Printer Setting : 3 minutes  
3 minutes

Printer ID  
ID 0

Option information has already been stored. Therefore, you do not need to enter any information.

Number of Sheets of Paper Fed into the Printer  
The number of sheets is displayed when EPSON Status Monitor 3 is enabled.  
Number of Sheets 2

4. Select the time period you want as the **Power Off Timer** setting.
5. Click **Send**.
6. Select the time period you want as the **Sleep Timer** setting.
7. Click **Send**.
8. Click **OK** to close the open program windows.

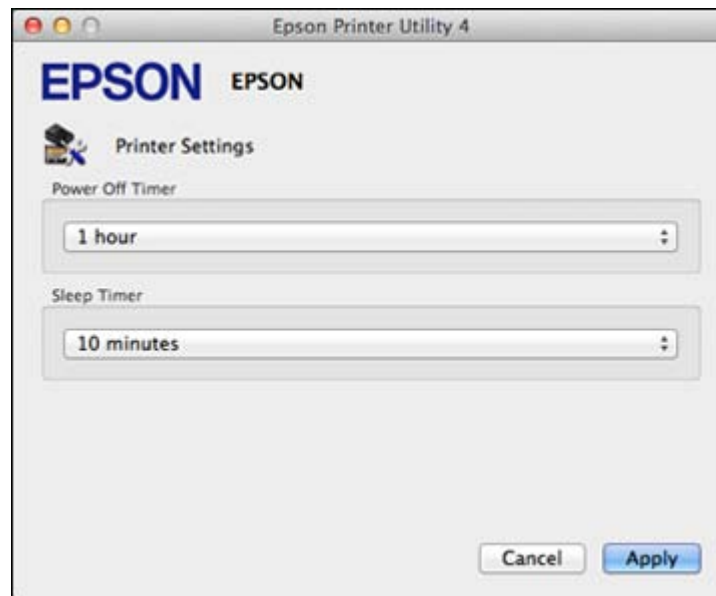
Parent topic: [The Power Off and Sleep Timers](#)

## Changing the Power Off and Sleep Timer Settings - OS X

You can use the printer software to change the time period before the printer enters sleep mode or turns off automatically.

1. Do one of the following:
  - **OS X 10.6/10.7/10.8/10.9:** In the Apple menu or the Dock, select **System Preferences**. Select **Print & Fax**, **Print & Scan**, or **Printers & Scanners**, select your product, and select **Options & Supplies**. Select **Utility** and select **Open Printer Utility**.
  - **OS X 10.5:** In the Apple menu or the Dock, select **System Preferences**. Select **Print & Fax**, select your product, and select **Open Print Queue** or **Print Queue**. Select **Utility**.
2. Select **Printer Settings**.

You see this screen:



3. Select the time period you want as the **Power Off Timer** setting.
4. Select the time period you want as the **Sleep Timer** setting.

5. Click **Apply**.
6. If you see the confirmation message, click **Yes**, then close the Printer Settings window.

**Parent topic:** [The Power Off and Sleep Timers](#)

---

# Loading Paper

Before you print, load paper for the type of printing you will do.

[Loading Paper in the Printer](#)

[Loading Envelopes in the Printer](#)

[Paper Loading Capacity](#)

[Available Epson Papers](#)

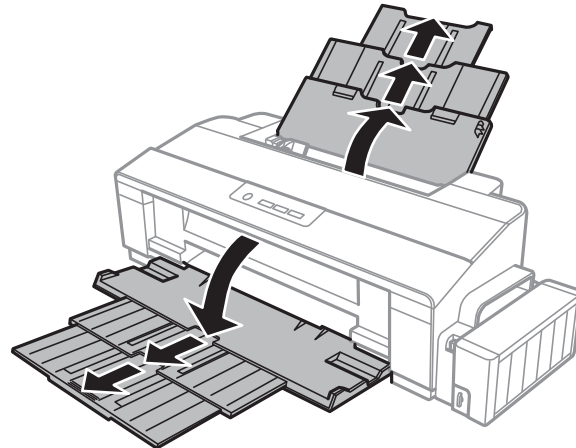
[Borderless Paper Type Compatibility](#)

[Paper or Media Type Settings](#)

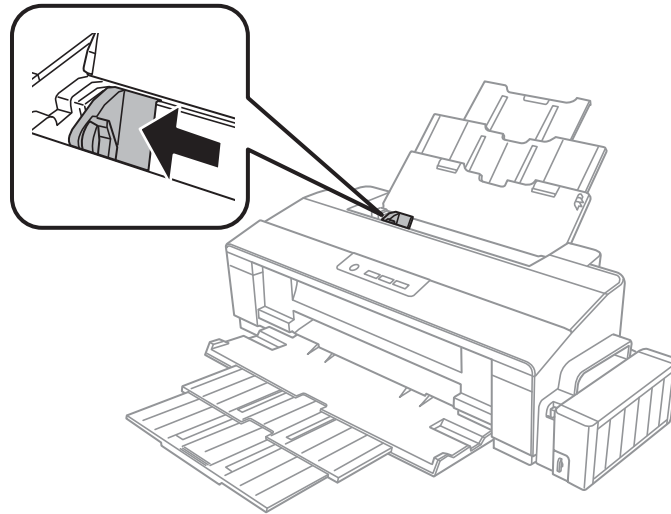
## Loading Paper in the Printer

You can print on a variety of paper types and sizes.

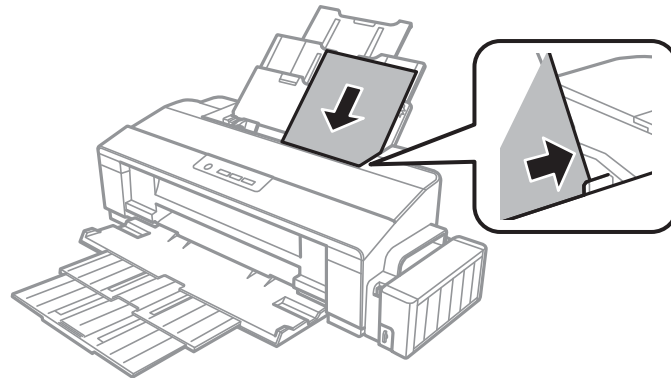
1. Open the paper support and pull up the extensions.
2. Open the output tray and pull out the extensions.



3. Slide the edge guide left.

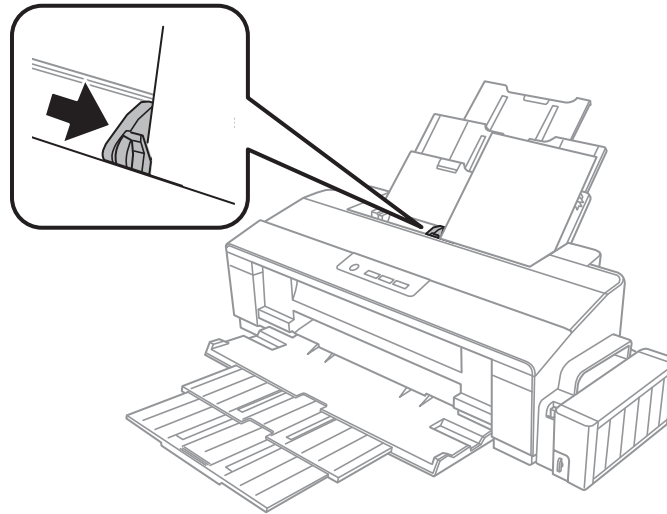


4. Insert paper, glossy or printable side up and short edge first, against the right side and behind the tab. If you are inserting a stack of paper, fan the sheets first and tap the stack on a flat surface to even the edges.





5. Slide the edge guide against the paper, but not too tightly.



Always follow these paper loading guidelines:

- Load only the recommended number of sheets.
- Load paper short edge first, no matter which way your document or photo faces.
- Load letterhead or pre-printed paper top edge first.
- Do not load paper above the arrow mark inside the edge guide.
- Check the paper package for any additional loading instructions.

**Parent topic:** [Loading Paper](#)

**Related references**

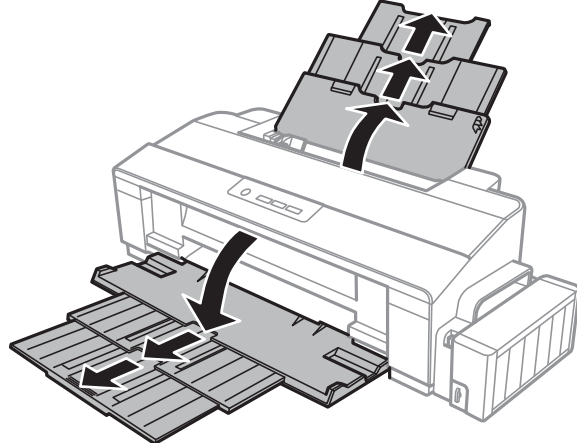
[Paper Loading Capacity](#)

## Loading Envelopes in the Printer

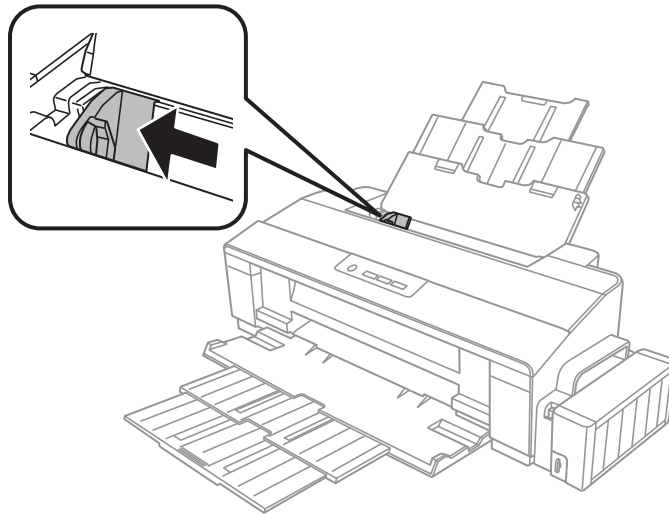
You can print on plain paper envelopes in this size: No. 10 (4.1 × 9.5 inches [105 × 241 mm]).

1. Open the paper support and pull up the extensions.

2. Open the output tray and pull out the extensions.

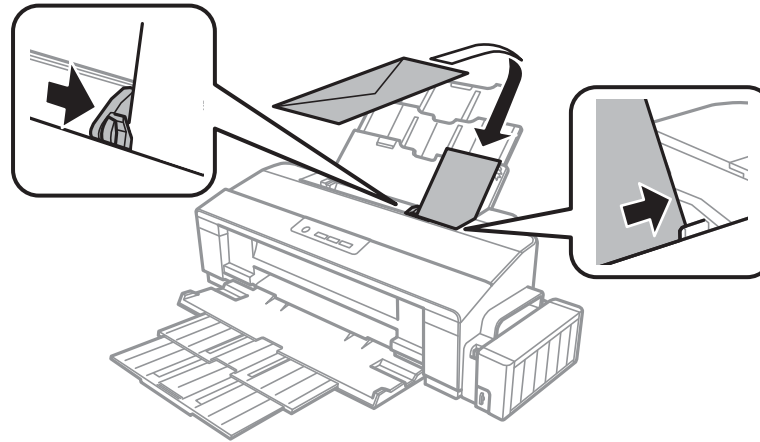


3. Slide the edge guide left.



4. Load up to 10 envelopes against the right side and behind the tab, printable side up, and flap edge left.

- Slide the edge guide against the envelopes, but not too tightly.



Always follow these envelope loading guidelines:

- If you have trouble loading a stack of envelopes, press each envelope flat before loading it or load one envelope at a time.
- Do not load envelopes that are curled, folded, or too thin.
- Do not load envelopes above the arrow mark inside the edge guide.

**Parent topic:** [Loading Paper](#)

**Related references**

[Paper Specifications](#)

## Paper Loading Capacity

Paper type	Load up to this many sheets
Plain paper* Letter (8.5 × 11 inches [216 × 279 mm]) or A4 (8.3 × 11.7 inches [210 × 297 mm])	Approximately 100 sheets For manual two-sided printing, load up to 30 sheets.
Plain paper* A3 (11.7 × 16.5 inches [297 × 420 mm]) or 11 × 17 inches (279 × 432 mm)	Approximately 40 sheets For manual two-sided printing, load up to 30 sheets.

Paper type	Load up to this many sheets
Plain paper* Legal (8.5 × 14 inches [216 × 357 mm]) or user-defined	1 sheet
Epson Bright White Paper	80 sheets
Epson Presentation Paper Matte Epson High Quality Ink Jet Paper	A3 or larger sizes: 50 sheets Smaller sizes: 100 sheets
Epson Ultra Premium Photo Paper Glossy (L1800)	20 sheets
Epson Premium Photo Paper Semi-gloss (L1800) Epson Premium Presentation Paper Matte	A3 or larger sizes: 10 sheets Smaller sizes: 30 sheets
Epson Photo Paper Glossy (L1800) Epson Premium Photo Paper Glossy	A3 or larger sizes: 10 sheets Letter (8.5 × 11 inches [216 × 279 mm]), A4 (8.3 × 11.7 inches [210 × 297 mm]), or 4 × 6 inches (102 × 152 mm): 30 sheets 5 × 7 inches (127 × 178 mm): 20 sheets
Epson Premium Presentation Paper Matte Double-sided Epson Iron-on Cool Peel Transfer paper Epson Brochure & Flyer Paper Matte Double-sided	1 sheet
Envelopes	10

\* Based on 17 lb (64 g/m<sup>2</sup>) to 24 lb (90 g/m<sup>2</sup>) paper weight. Do not load paper above the arrow mark inside the edge guide.

Parent topic: [Loading Paper](#)

## Available Epson Papers

You can purchase genuine Epson ink and paper from an Epson authorized reseller. To find the nearest reseller, visit [global.latin.epson.com](http://global.latin.epson.com) or call your nearest Epson sales office (website available in Spanish and Portuguese only).

**Note:** Paper/media availability varies by country.

<b>Paper Type</b>	<b>Size</b>	<b>Part number</b>	<b>Sheet count</b>
Epson Bright White Paper	Letter (8.5 × 11 inches [216 × 279 mm])	S041586	500
Epson High Quality Ink Jet Paper	A4 (8.3 × 11.7 inches [210 × 297 mm])	S041117	100
	Letter (8.5 × 11 inches [216 × 279 mm])	S041111	100
Epson Photo Paper Glossy*	4 × 6 inches (102 × 152 mm)	S041809	50
		S042038	100
	A4 (8.3 × 11.7 inches [210 × 297 mm])	S041140-ML	20
	Letter (8.5 × 11 inches [216 × 279 mm])	S041141	20
		S041649	50
		S041271	100
11 × 17 inches (279 × 432 mm)	S041156	20	
13 × 19 inches (330 × 483 mm)	S041143	20	

<b>Paper Type</b>	<b>Size</b>	<b>Part number</b>	<b>Sheet count</b>
Epson Premium Photo Paper Glossy	4 x 6 inches (102 x 152 mm)	S041808	40
		S041727	100
	5 x 7 inches (127 x 178 mm)	S041464	20
	8 x 10 inches (203 x 254 mm)	S041465	20
	Letter (8.5 x 11 inches [216 x 279 mm])	S042183	25
		S041667	50
	11 x 14 inches (279 x 356 mm)	S041466	20
	11 x 17 inches (279 x 432 mm)	S041290	20
A3 (11.7 x 16.5 inches [297 x 420 mm])	S041288	20	
13 x 19 inches (330 x 483 mm)	S041289	20	
Epson Ultra Premium Photo Paper Glossy*	4 x 6 inches (102 x 152 mm)	S042181	60
		S042174	100
	5 x 7 inches (127 x 178 mm)	S041945	20
	8 x 10 inches (203 x 254 mm)	S041946	20
	Letter (8.5 x 11 inches [216 x 279 mm])	S042182	25
S042175		50	
Epson Premium Photo Paper Semi-gloss*	4 x 6 inches (102 x 152 mm)	S041982	40
	Letter (8.5 x 11 inches [216 x 279 mm])	S041331	20
	13 x 19 inches (330 x 483 mm)	S041327	20

Paper Type	Size	Part number	Sheet count
Epson Presentation Paper Matte	Letter (8.5 × 11 inches [216 × 279 mm])	S041062	100
	Legal (8.5 × 14 inches [216 × 357 mm])	S041067	100
	11 × 17 inches (279 × 432 mm)	S041069	100
	13 × 19 inches (330 × 483 mm)	S041070	100
Epson Premium Presentation Paper Matte	8 × 10 inches (203 × 254 mm)	S041467	50
	Letter (8.5 × 11 inches [216 × 279 mm])	S041257	50
		S042180	100
	11 × 14 inches (279 × 356 mm)	S041468	50
	A3 (11.7 × 16.5 inches [297 × 420 mm])	S041260	50
13 × 19 inches (330 × 483 mm)	S041263	50	
Epson Premium Presentation Paper Matte Double-sided	Letter (8.5 × 11 inches [216 × 279 mm])	S041568	50
Epson Brochure & Flyer Paper Matte Double-sided	Letter (8.5 × 11 inches [216 × 279 mm])	S042384	150
Epson Iron-on Cool Peel Transfer paper	Letter (8.5 × 11 inches [216 × 279 mm])	S041153	10

\*L1800 only

Parent topic: [Loading Paper](#)

## Borderless Paper Type Compatibility

You can print borderless photos on compatible paper types in compatible sizes (L1800):

### Borderless Paper Types

- Epson Photo Paper Glossy
- Epson Premium Photo Paper Glossy
- Epson Ultra Premium Photo Paper Glossy
- Epson Premium Photo Paper Semi-gloss
- Epson Premium Presentation Paper Matte

### Borderless Paper Sizes

- 4 × 6 inches (102 × 152 mm)
- 5 × 7 inches (127 × 178 mm)
- 8 × 10 inches (203 × 254 mm)
- 11 × 14 inches (279 × 356 mm)
- 11 × 17 inches (279 × 432 mm)
- A3 (11.7 × 16.5 inches [297 × 420 mm])
- 13 × 19 inches (330 × 483 mm)

Parent topic: [Loading Paper](#)

## Paper or Media Type Settings

For this paper	Select this paper Type or Media Type setting
Plain paper Epson Bright White Paper Epson Iron-on Cool Peel Transfer paper	Plain Paper/Bright White Paper
Epson Presentation Paper Matte* Epson High Quality Ink Jet Paper*	Presentation Paper Matte*
Epson Photo Paper Glossy*	Photo Paper Glossy*
Epson Premium Photo Paper Glossy	Premium Photo Paper Glossy
Epson Ultra Premium Photo Paper Glossy*	Ultra Premium Photo Paper Glossy*
Epson Premium Photo Paper Semi-gloss*	Premium Photo Paper Semi-Gloss*



For this paper	Select this paper Type or Media Type setting
Epson Premium Presentation Paper Matte Epson Premium Presentation Paper Matte Double-sided Epson Brochure & Flyer Paper Matte Double-sided	Premium Presentation Paper Matte
Envelopes	Envelope

\*L1800 only

**Parent topic:** [Loading Paper](#)

---

# Printing From a Computer

Before printing from your computer, make sure you have set up your product and installed its software as described on the *Start Here* sheet.

**Note:** If you have an Internet connection, it is a good idea to check for updates to your product software on Epson's support website. If you see a Software Update screen, select **Enable automatic checking** and click **OK**. The update scans your system to see if you have the latest product software. Follow the on-screen instructions.

[Printing with Windows](#)

[Printing with OS X](#)

[Cancelling Printing Using a Product Button](#)

## **Related tasks**

[Checking for Software Updates](#)

## Printing with Windows

You can print with your product using any Windows printing program, as described in these sections.

[Selecting Basic Print Settings - Windows](#)

[Selecting Double-sided Printing Settings - Windows](#)

[Selecting Additional Layout and Print Options - Windows](#)

[Selecting Extended Settings - Windows](#)

[Selecting a Printing Preset - Windows](#)

[Printing Your Document or Photo - Windows](#)

[Selecting Default Print Settings - Windows](#)

[Changing Automatic Update Options](#)

**Parent topic:** [Printing From a Computer](#)

## Selecting Basic Print Settings - Windows

Select the basic settings for the document or photo you want to print.

1. Open a photo or document for printing.

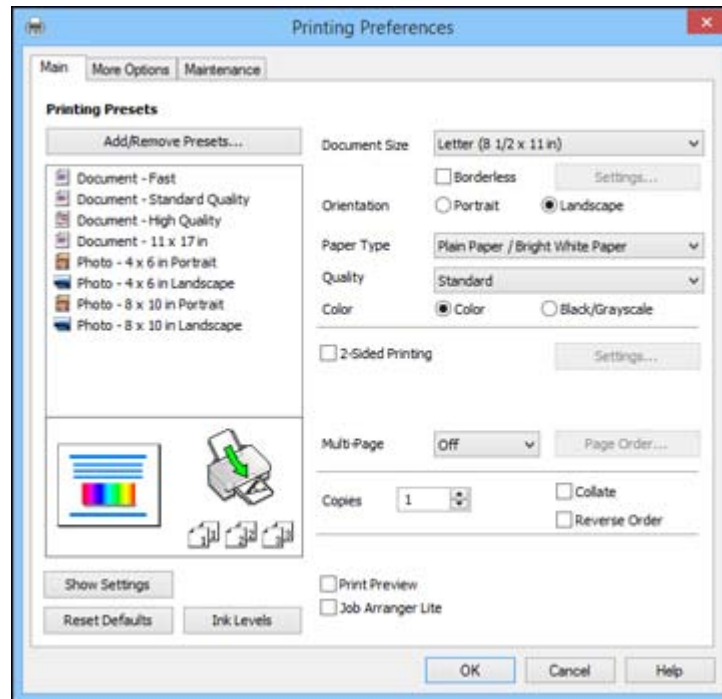
2. Select the print command in your application.

**Note:** You may need to select a print icon on your screen, the **Print** option in the **File** menu, or another command. See your application's help utility for details.

3. If necessary, select your product name as the printer you want to use.

**Note:** You may also need to select **Properties** or **Preferences** to view your print settings.

You see the Main tab of your printer settings window:



**Note:** The screen you see may differ, but the instructions are the same.

4. Select the size of the paper you loaded as the **Document Size** setting.

**Note:** You can also select the **User-Defined** setting to create a custom paper size.

5. If you are printing a borderless photo, select **Borderless** (L1800). You can click **Settings** to access additional options for borderless printing.

**Note:** You must select a compatible borderless paper type and size to print without borders. Check the borderless paper compatibility list for details.

6. Select the orientation of your document.

**Note:** If you are printing an envelope, select **Landscape**.

7. Select the type of paper you loaded as the **Paper Type** setting.

**Note:** The setting may not exactly be the name of your paper. Check the paper type settings list for details.

8. Select the **Quality** setting that matches the print quality you want to use.

9. Select a Color option:

- To print a color document or photo, select the **Color** setting.
- To print text and graphics in black or shades of gray, select the **Black/Grayscale** setting.

10. To print on both sides of the paper, select the **2-Sided Printing** checkbox and select the options you want.

11. To print multiple pages on one sheet of paper, or print one image on multiple sheets of paper, select one of the settings in the **Multi-Page** menu and select the printing options you want.

12. To print multiple copies and arrange their print order, select the **Copies** options.

13. To preview your job before printing, select **Print Preview**.

14. To save your print job as a project that can be modified and combined with other print jobs, select **Job Arranger Lite**.

15. To reduce noise during printing when you select **Plain Paper/Bright White Paper**, select **On** in the Quiet Mode menu (L1300).

[Print Quality Options - Windows](#)

[Multi-Page Printing Options - Windows](#)

**Parent topic:** [Printing with Windows](#)

**Related references**

[Paper or Media Type Settings](#)

[Borderless Paper Type Compatibility](#)

**Related tasks**

[Selecting Additional Layout and Print Options - Windows](#)

[Printing Your Document or Photo - Windows](#)

**Print Quality Options - Windows**

You can select any of the available Quality options to fine-tune the quality of your print. Some settings may be unavailable, depending on the paper type and border setting you have chosen.

**Draft**

For draft printing on plain paper.

**Standard**

For everyday text and image printing.

**High**

For photos and graphics with high print quality.

**More Settings**

Opens a window that lets you choose among levels of speed and quality (L1300).

**Parent topic:** [Selecting Basic Print Settings - Windows](#)

**Multi-Page Printing Options - Windows**

You can select any of the available options in the Multi-Page menu to set up your multi-page print job.

**2-Up and 4-Up**

Prints 2 or 4 pages on one sheet of paper. Click the **Page Order** button to select page layout and border options.

**2x1 Poster, 2x2 Poster, 3x3 Poster, 4x4 Poster**

Prints one image on multiple sheets of paper to create a larger poster. Click the **Settings** button to select image layout and guideline options.

**Parent topic:** [Selecting Basic Print Settings - Windows](#)

**Selecting Double-sided Printing Settings - Windows**

You can print on both sides of the paper by selecting the **2-Sided Printing** checkbox on the Main tab.

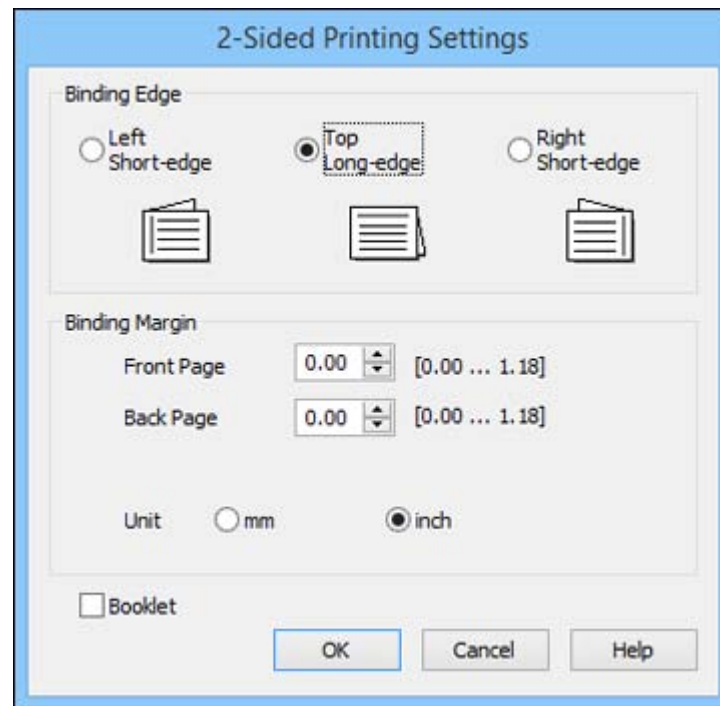
**Note:** You will need to print one side and flip the paper over manually to print the other side.



**Note:** Some options may be pre-selected or unavailable, depending on other settings you have chosen or if you are accessing the product over a network or as a shared printer.

1. Select the **2-Sided Printing** checkbox.
2. Click the **Settings** button.

You see this window:



3. Select the double-sided printing options you want to use.
4. Click **OK** to return to the Main tab.

5. Print a test copy of your double-sided document to test the selected settings.
6. Follow any instructions displayed on the screen during printing.

**Note:** The surface of the paper may smear during double-sided printing. Make sure the ink has dried before reloading the paper.

[Double-sided Printing Options - Windows](#)

**Parent topic:** [Printing with Windows](#)

**Related tasks**

[Selecting Basic Print Settings - Windows](#)

### **Double-sided Printing Options - Windows**

You can select any of the available options on the 2-Sided Printing Settings window to set up your double-sided print job.

#### **Binding Edge Options**

Select a setting that orients double-sided print binding in the desired direction.

#### **Binding Margin Options**

Select options that define a wider margin to allow for binding.

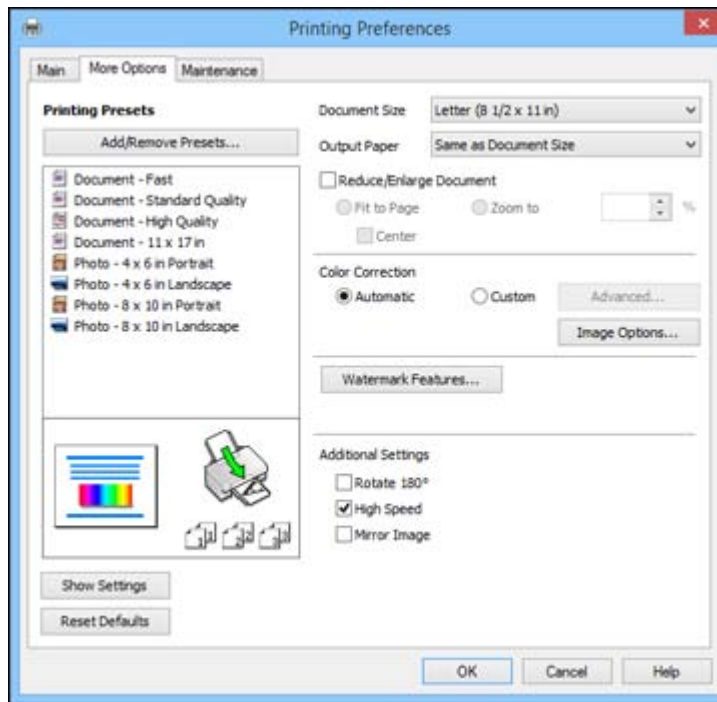
#### **Booklet**

Select the **Booklet** checkbox to print double-sided pages as a booklet.

**Parent topic:** [Selecting Double-sided Printing Settings - Windows](#)

### **Selecting Additional Layout and Print Options - Windows**

You can select a variety of additional layout and printing options for your document or photo on the More Options tab.



1. To change the size of your printed document or photo, select the **Reduce/Enlarge Document** checkbox and select one of these sizing options:
  - Select the **Fit to Page** option to size your image to fit the paper you loaded. Select the size of the your document or photo as the **Document Size** setting, and the size of your paper as the **Output Paper** setting.
  - Select the **Zoom to** option to reduce or enlarge your document or photo by a specific percentage. Select the percentage in the % menu.
2. Select one of the following Color Correction options:
  - Select **Automatic** to automatically adjust the sharpness, brightness, contrast, and color saturation for your image.
  - Select **Custom** and click the **Advanced** button to manually adjust the color correction settings or turn off color management in your printer software.
  - Select **Image Options** to access additional settings for improving printed images.



- To add the following features, click the **Watermark Features** button.
  - Watermark:** adds a visible watermark to your printout.
  - Header/Footer:** adds information such as the date and time to the top or bottom of your printout.

**Note:** Click the **Settings** button to customize the text and location of the header or footer.

- Select any of the Additional Settings options to customize your print.

[Custom Color Correction Options - Windows](#)

[Image Options and Additional Settings - Windows](#)

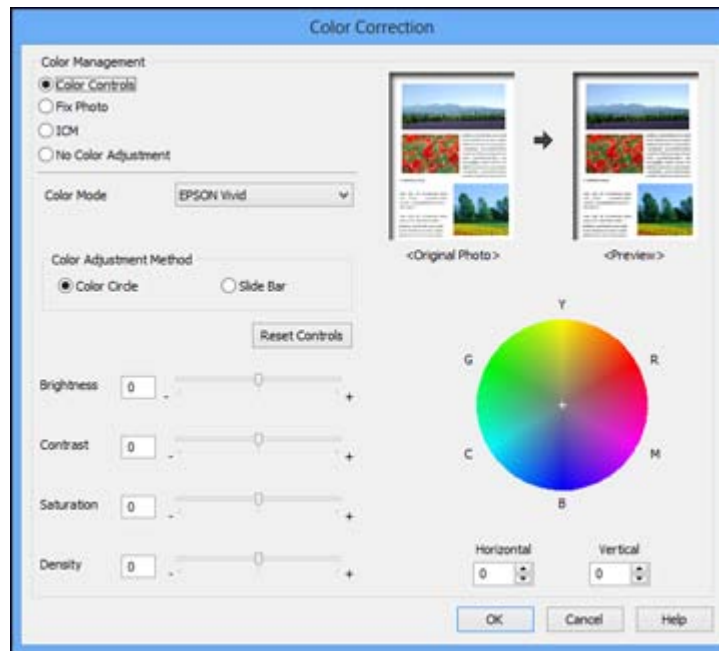
**Parent topic:** [Printing with Windows](#)

#### Related tasks

[Printing Your Document or Photo - Windows](#)

### Custom Color Correction Options - Windows

You can select any of the available options in the Color Correction window to customize the image colors for your print job.



### **Color Controls**

Lets you select a **Color Mode** setting, individual settings for **Brightness**, **Contrast**, **Saturation**, and **Density**, and individual color tones. Depending on the selected color mode, you can also adjust the midtone density using the **Gamma** setting.

### **Fix Photo**

Improves the color, contrast, and sharpness of flawed photos.

**Note:** Fix Photo uses a sophisticated face recognition technology to optimize photos that include faces. For this to work, both eyes and the nose must be visible in the subject's face. If your photo includes a face with an intentional color cast, such as a statue, you may want to turn off **Fix Photo** to retain the special color effects.

### **ICM**

Lets you manage color using installed color printing profiles.

### **No Color Adjustment**

Turns off color management in your printer software so you can manage color using only your application software.

**Parent topic:** [Selecting Additional Layout and Print Options - Windows](#)

## **Image Options and Additional Settings - Windows**

You can select any of the Image Options and Additional Settings to customize your print. Some options may be pre-selected or unavailable, depending on other settings you have chosen.

### **Image Options**

#### **Emphasize Text**

Adjusts the weight of printed text to increase readability.

#### **Emphasize Thin Lines**

Adjusts the weight of printed lines to increase visibility.

#### **Edge Smoothing**

Smooths jagged edges in low-resolution images such as screen captures or images from the Web.

#### **Fix Red-Eye**

Reduces or removes red-eye in photos.

### **Additional Settings Options**

#### **Rotate 180°**

Prints the image rotated 180° from its original orientation.

### High Speed

Speeds up printing, but may reduce print quality.

### Mirror Image

Flips the printed image left to right.

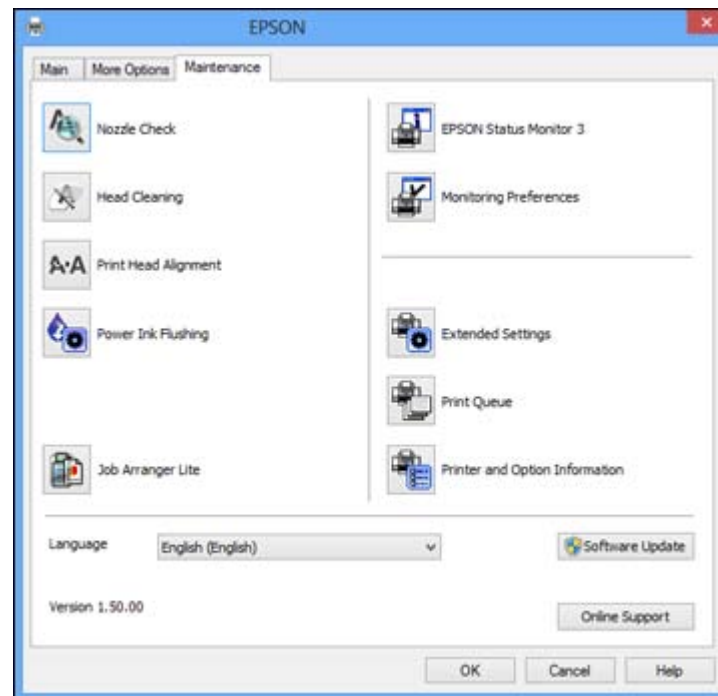
Parent topic: [Selecting Additional Layout and Print Options - Windows](#)

## Selecting Extended Settings - Windows

You can select additional settings that apply to all the print jobs you send to your product.

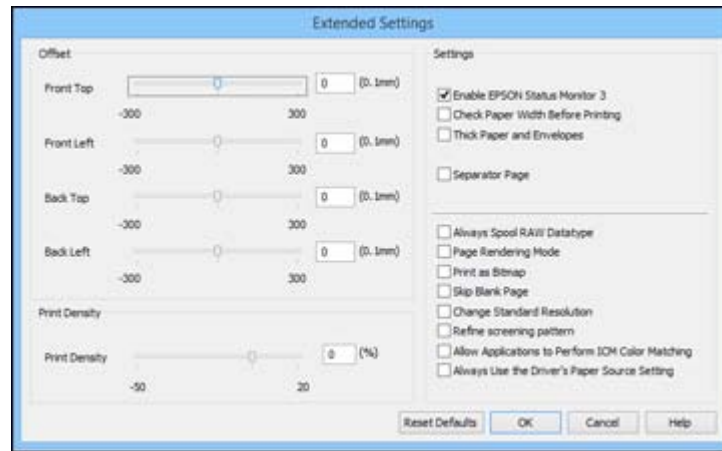
1. Access the Windows Desktop and right-click the product icon in the Windows taskbar.
2. Select **Printer Settings**.
3. Click the **Maintenance** tab.

You see the maintenance options:



4. Click the **Extended Settings** button.

You see this window:



5. Select any of the extended settings to customize your print.
6. Click **OK** to close the Extended Settings window.
7. Click **OK** to close the printer software window.

[Extended Settings - Windows](#)

**Parent topic:** [Printing with Windows](#)

### **Extended Settings - Windows**

You can select from these settings on the Extended Settings window.

#### **Enable EPSON Status Monitor 3**

Enables product monitoring for ink and paper supplies and other issues.

#### **Check Paper Width Before Printing**

Prevents printing beyond the edges of the paper if the paper size setting is incorrect, but may reduce print speed.

#### **Thick paper and envelopes**

Prevents ink from smearing when you print on envelopes or other thick paper.

#### **Separator Page**

Before each document, prints a separator page containing the title, user, date, and time.

#### **Always Spool RAW Datatype**

Increases print speed and may solve other printing problems.

**Page Rendering Mode**

Increases print speed when printing is extremely slow or the print head stops during printing.

**Print as Bitmap**

Increases print speed when printing is extremely slow or the print head stops during printing, and other settings do not help.

**Skip Blank Page**

Ensures that your product does not print pages that contain no text or images.

**Change Standard Resolution**

Reduces the resolution of print data to correct printing problems.

**Refine screening pattern**

Prints graphics with a finer screening pattern.

**Allow Applications to Perform ICM Color Matching**

Allows applications to perform ICM color matching.

**Always Use the Driver's Paper Source Setting**

Prints using the paper source setting in the printer driver, rather than the setting in your application.

Parent topic: [Selecting Extended Settings - Windows](#)

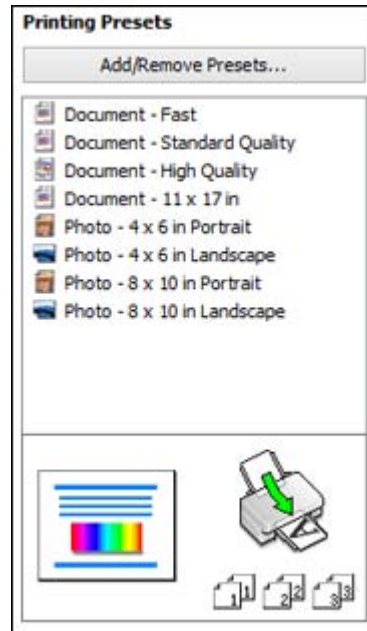
## Selecting a Printing Preset - Windows

For quick access to common groups of print settings, you can select a printing preset on the Main or More Options tab.

**Note:** You can create your own preset by clicking the **Add/Remove Presets** button.

1. Click the **Main** or **More Options** tab.

You see the available **Printing Presets** on the left:



2. Place your cursor over one of the **Printing Presets** to view its list of settings.
3. Use any of the available options on the screen to control your printing presets.
4. To choose an option for printing, select it.
5. Click **OK**.

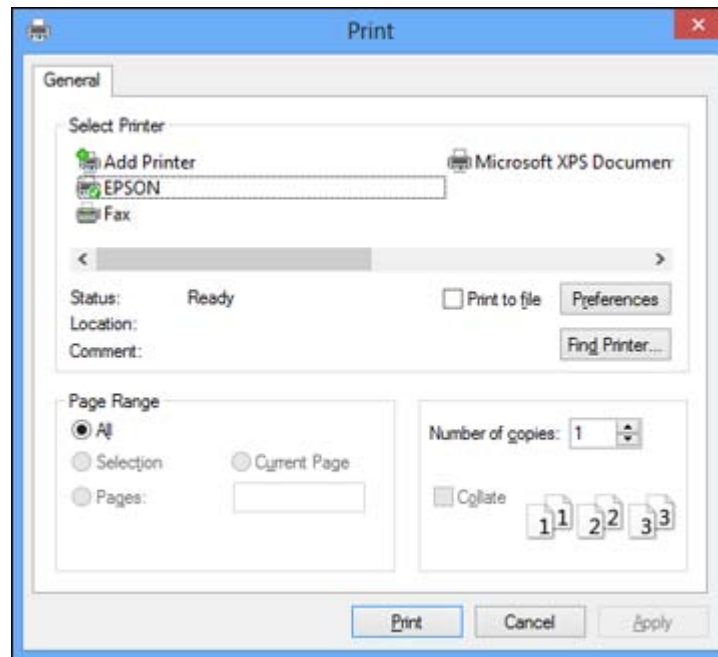
**Parent topic:** [Printing with Windows](#)

## Printing Your Document or Photo - Windows

Once you have selected your print settings, you are ready to save your settings and print.

1. Click **OK** to save your settings.

You see your application's Print window, such as this one:



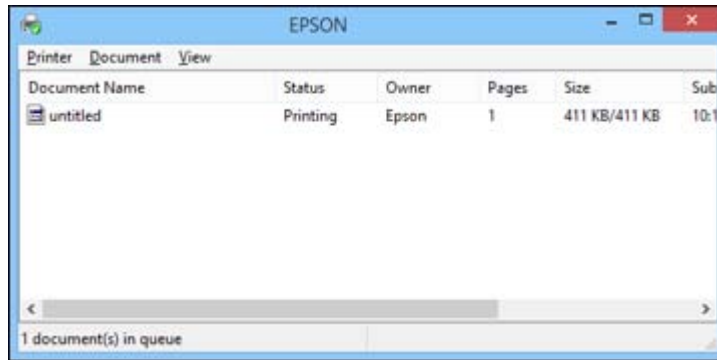
2. Click **OK** or **Print** to start printing.

[Checking Print Status - Windows](#)

**Parent topic:** [Printing with Windows](#)

### Checking Print Status - Windows

During printing, you can see the progress of your print job by right-clicking the printer icon in the Windows taskbar.



You can control printing using the options on the screen.

- To cancel printing, right-click on any print job and click **Cancel**.
- To pause printing, right-click on any print job and click **Pause**.
- To restart printing, right-click on any paused print job and click **Restart**.

**Parent topic:** [Printing Your Document or Photo - Windows](#)

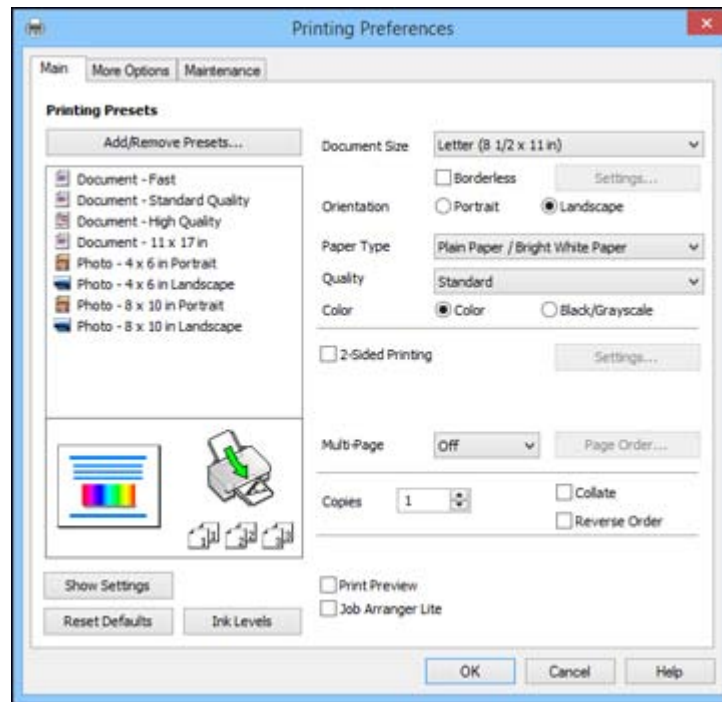
## Selecting Default Print Settings - Windows

When you change your print settings in a program, the changes apply only while you are printing in that program session. If you want to change the print settings you use in all your Windows programs, you can select new default print settings.

1. Access the Windows Desktop and right-click the product icon in the Windows taskbar.
2. Select **Printer Settings**.

You see the printer settings window:





3. Select the print settings you want to use as defaults in all your Windows programs.
4. Click **OK**.

These settings are now the defaults selected for printing. You can still change them as needed for printing in any program session.

#### [Changing the Language of the Printer Software Screens](#)

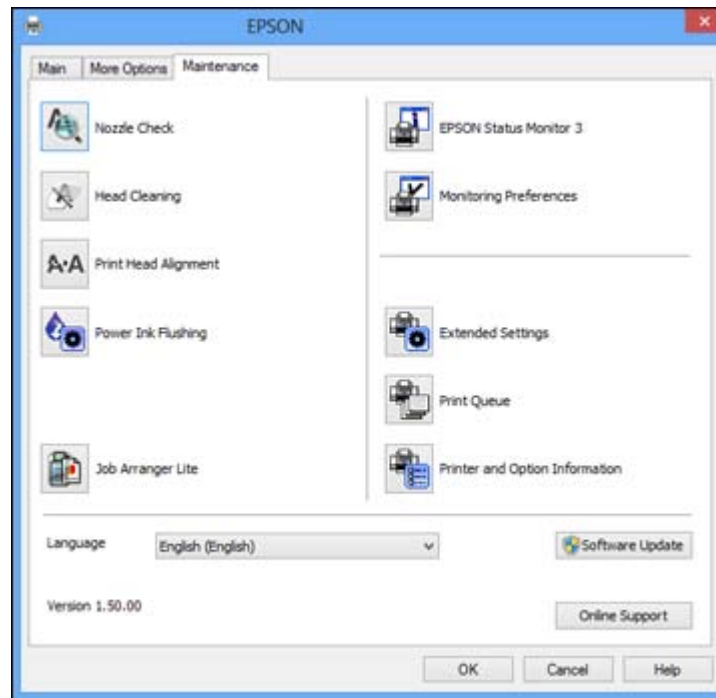
**Parent topic:** [Printing with Windows](#)

### **Changing the Language of the Printer Software Screens**

You can change the language used on the Windows printer software screens.

1. Access the Windows Desktop and right-click the product icon in the Windows taskbar.
2. Select **Printer Settings**.  
You see the printer settings window.
3. Click the **Maintenance** tab.

You see the maintenance options:



4. Select the language you want to use as the **Language** setting.
5. Click **OK** to close the printer software window.

The printer software screens appear in the language you selected the next time you access them.

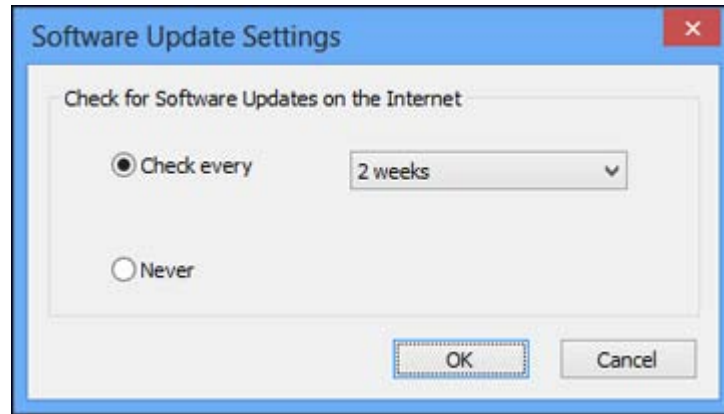
**Parent topic:** [Selecting Default Print Settings - Windows](#)

## Changing Automatic Update Options

Your printer software for Windows automatically checks for updates to the product software. You can change how often the software checks for updates or disable this feature.

1. Access the Windows Desktop and right-click the product icon in the Windows taskbar.
2. Select **Software Update Settings**.

You see this window:



3. Do one of the following:
  - To change how often the software checks for updates, select a setting in the **Check every** menu.
  - To disable the automatic update feature, select the **Never** option.
4. Click **OK** to exit.

**Note:** If you choose to disable the automatic update feature, you can check for updates manually.

**Parent topic:** [Printing with Windows](#)

#### **Related tasks**

[Checking for Software Updates](#)

## **Printing with OS X**

You can print with your product using any OS X printing program, as described in these sections.

**Note:** If you have an internet connection, it is a good idea to check for updates to your product software on Epson's support website.

[Selecting Basic Print Settings - OS X](#)

[Selecting Page Setup Settings - OS X](#)

[Selecting Print Layout Options - OS X](#)

[Sizing Printed Images - OS X](#)

[Managing Color - OS X](#)

[Printing Your Document or Photo - OS X](#)

[Selecting Printing Preferences - OS X](#)

**Parent topic:** [Printing From a Computer](#)

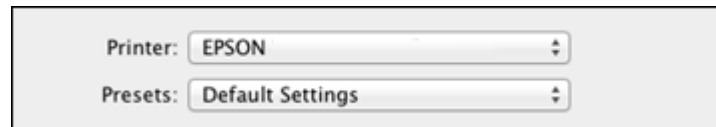
## Selecting Basic Print Settings - OS X

Select the basic settings for the document or photo you want to print.

1. Open a photo or document for printing.
2. Select the print command in your application.

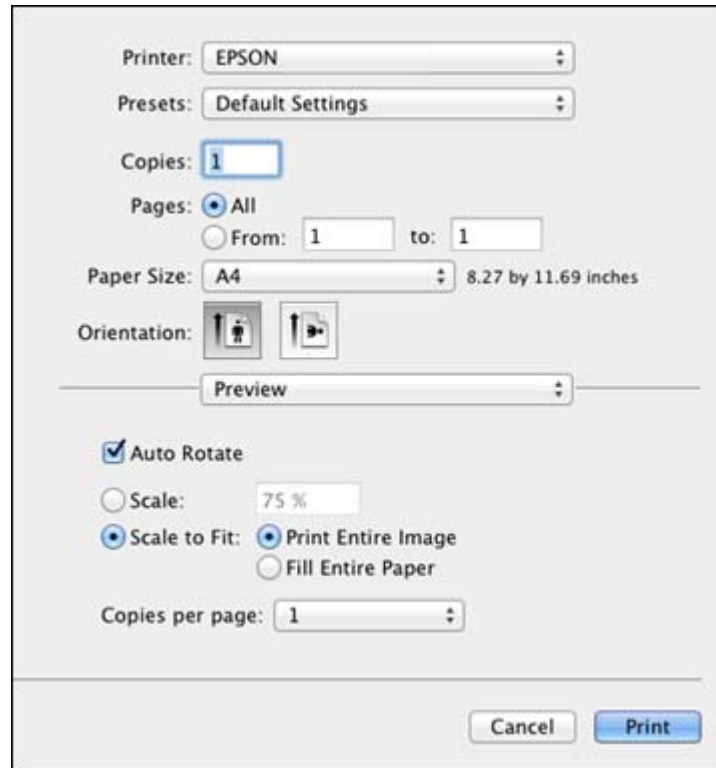
**Note:** You may need to select a print icon on your screen, the **Print** option in the File menu, or another command. See your application's help utility for details.

3. Select your product as the **Printer** setting.



4. If necessary, click the arrow next to the Printer setting or the **Show Details** button to expand the print window.

You see the expanded printer settings window for your product:



**Note:** The print window may look different, depending on the version of OS X and the application you are using.

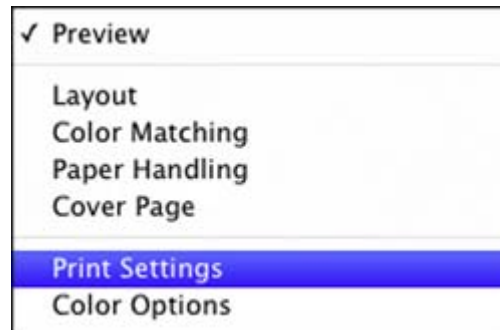
5. Select the **Copies** and **Pages** settings as necessary.

**Note:** If you do not see these settings in the print window, check for them in your application before printing.

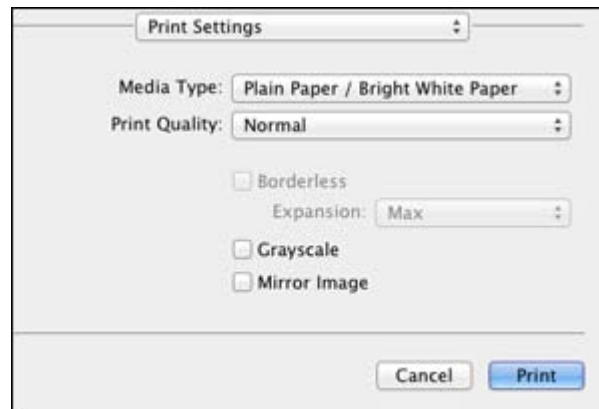
6. Select the page setup options: **Paper Size** and **Orientation**.

**Note:** If you do not see these settings in the print window, check for them in your application before printing. They may be accessible by selecting **Page Setup** from the File menu.

7. Select any application-specific settings that appear on the screen, such as those shown in the image above for the Preview application.
8. Select **Print Settings** from the pop-up menu.



You see these settings:



**Note:** Borderless printing is not available on the L1300.

9. Select the type of paper you loaded as the **Media Type** setting.

**Note:** The setting may not exactly match the name of your paper. Check the paper type settings list for details.

10. Select the **Print Quality** setting you want to use.

11. Select any of the available print options.

[Print Quality Options - OS X](#)

[Print Options - OS X](#)

**Parent topic:** [Printing with OS X](#)

#### **Related references**

[Paper or Media Type Settings](#)

#### **Related tasks**

[Selecting Page Setup Settings - OS X](#)

[Printing Your Document or Photo - OS X](#)

### **Print Quality Options - OS X**

You can select any of the available Print Quality options to fine-tune the quality of your print. Some settings may be unavailable, depending on the paper type and border setting you have chosen.

#### **Fast Economy**

For the fastest printing with draft quality.

#### **Economy**

For fast printing with reduced quality.

#### **Normal**

For everyday text and image printing.

#### **Fine**

For text and graphics with good quality and print speed.

#### **Quality**

For photos and graphics with good quality and print speed.

#### **High Quality**

For photos and graphics with high print quality.

#### **Best Quality**

For the best print quality, but the slowest print speed.

**Parent topic:** [Selecting Basic Print Settings - OS X](#)

### **Print Options - OS X**

You can select any of the print options to customize your print. Some options may be unavailable, depending on other settings you have chosen.

**Note:** Borderless printing is not available on the L1300.

### **Expansion**

If you selected a borderless paper size setting, this option adjusts the image expansion settings to control printing at the edges of borderless prints.

### **Grayscale**

Prints text and graphics in black or shades of gray.

### **Mirror Image**

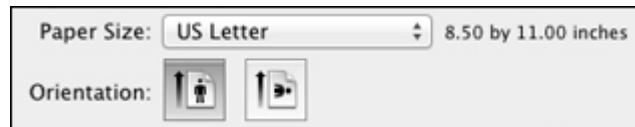
Lets you flip the printed image horizontally.

**Note:** If you select the **Min** option for the Expansion setting, you may see white borders on your printed photo.

**Parent topic:** [Selecting Basic Print Settings - OS X](#)

## **Selecting Page Setup Settings - OS X**

Depending on your application, you may be able to select the paper size and orientation settings from the print window.



**Note:** If you do not see these settings in the print window, check for them in your application before printing. They may be accessible by selecting **Page Setup** from the File menu.


1. Select the size of the paper you loaded as the **Paper Size** setting. If you are printing a borderless photo, select the **Borderless** checkbox or a paper size with a **Borderless** option. You can also select a custom setting to create a custom paper size, but the Quality setting will be limited to **Normal**.

**Note:** You must select a compatible borderless paper type and size to print without borders. Check the borderless paper compatibility list for details.

**Note:** Borderless printing is not available on the L1300.



2. Select the orientation of your document or photo as shown in the print window.

**Note:** If you are printing an envelope, select the  icon.

**Note:** You can reduce or enlarge the size of the printed image by selecting **Paper Handling** from the pop-up menu and selecting a scaling option.

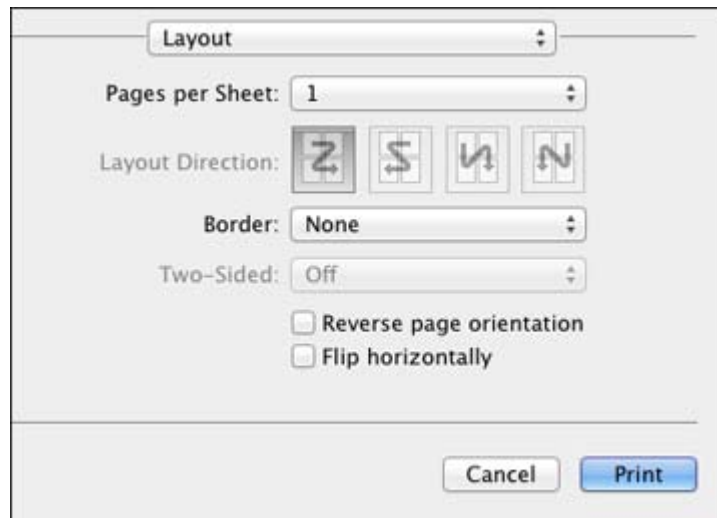
**Parent topic:** [Printing with OS X](#)

**Related references**

[Borderless Paper Type Compatibility](#)

## Selecting Print Layout Options - OS X

You can select a variety of layout options for your document or photo by selecting **Layout** from the pop-up menu on the print window.



- To print multiple pages on one sheet of paper, select the number of pages in the **Pages per Sheet** pop-up menu. To arrange the print order of the pages, select a **Layout Direction** setting.
- To print borders around each page on the sheet, select a line setting from the **Border** pop-up menu.
- To invert or flip the printed image, select the **Reverse page orientation** or **Flip horizontally** settings.

Parent topic: [Printing with OS X](#)

## Sizing Printed Images - OS X

You can adjust the size of the image as you print it by selecting **Paper Handling** from the pop-up menu on the Print window.

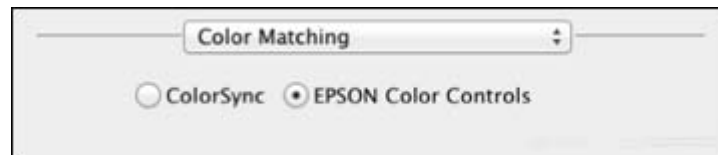
- To print only selected pages in a multi-page document, select an option from the **Pages to Print** pop-up menu.
- To adjust the order in which pages are printed, select an option from the **Page Order** pop-up menu.
- To scale the image to fit on a specific paper size, select the **Scale to fit paper size** checkbox and select a paper size from the **Destination Paper Size** pop-up menu.

Parent topic: [Printing with OS X](#)

## Managing Color - OS X

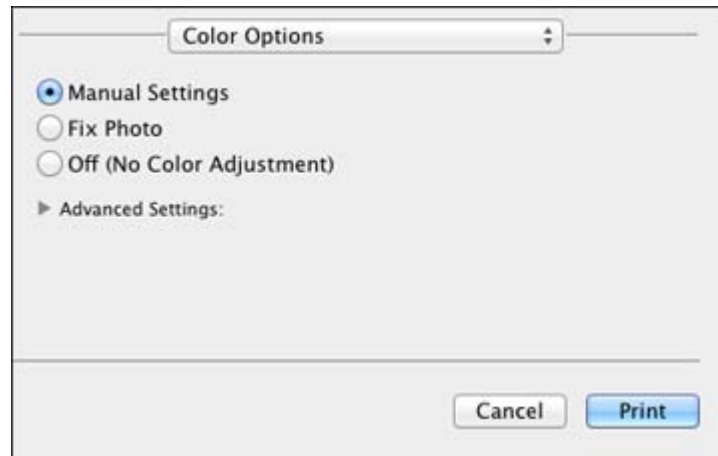
You can adjust the Color Matching and Color Options settings to fine-tune the colors in your printout, or turn off color management in your printer software.

1. Select **Color Matching** from the pop-up menu in the print window.



2. Select one of the available options.

3. Select **Color Options** from the pop-up menu in the print window.



**Note:** The available settings on the Color Options menu depend on the option you selected on the Color Matching menu.

4. Select one of the available options.

[Color Matching and Color Options - OS X](#)

**Parent topic:** [Printing with OS X](#)

## Color Matching and Color Options - OS X

You can select from these settings on the **Color Matching** and **Color Options** menus.

### Color Matching Settings

#### EPSON Color Controls

Lets you manage color using controls in your printer software, or turn off color management.

#### ColorSync

Prints using standard color profiles for your product and paper to help match image colors. You can customize the conversion method and filter settings on the ColorSync pop-up menu in the print window.

## Color Options Settings

### Manual Settings

Lets you select manual color adjustments. Click the arrow next to **Advanced Settings** and select settings for **Brightness**, **Contrast**, **Saturation**, and individual color tones. You can also select a color **Mode** setting for printing photos and graphics and the **Fix Red-Eye** setting to reduce or remove red-eye in photos. Depending on the selected color mode, you can also adjust the midtone density using the **Gamma** setting.

### Fix Photo

Improves the color, contrast, and sharpness of flawed photos. Click the arrow next to **Advanced Settings** and select the **Fix Red-Eye** setting to reduce or remove red-eye in photos.

**Note:** Fix Photo uses a sophisticated face recognition technology to optimize photos that include faces. For this to work, both eyes and the nose must be visible in the subject's face. If your photo includes a face with an intentional color cast, such as a statue, you may want to turn off **Fix Photo** to retain the special color effects.

### Off (No Color Adjustment)

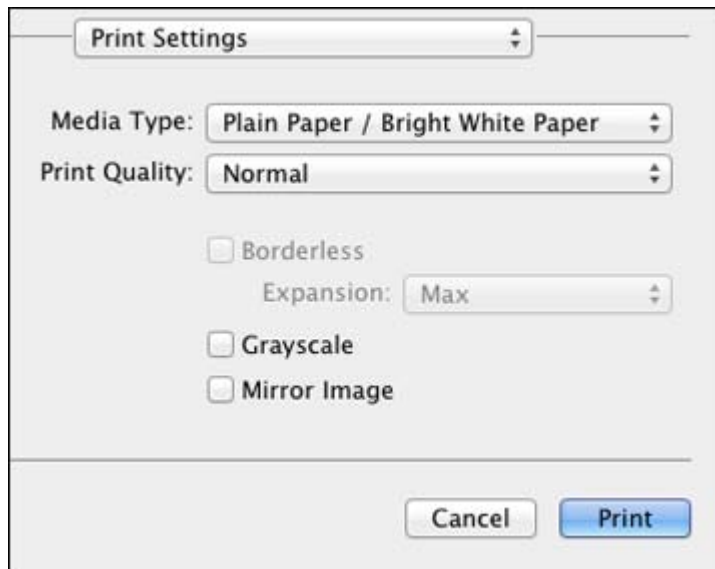
Turns off color management in your printer software so you can manage color using only your application software.

Parent topic: [Managing Color - OS X](#)

## Printing Your Document or Photo - OS X

Once you have selected your print settings, you are ready to print.

Click **Print** at the bottom of the print window.



### Checking Print Status - OS X

**Parent topic:** [Printing with OS X](#)

### Checking Print Status - OS X




During printing, you can view the progress of your print job and control printing.

1. Click the printer icon when it appears in the Dock.

You see the print status window:



2. Select the following options as necessary for your version of OS X:

- To cancel printing, click the print job and click  or **Delete**.
- To pause a print job, click the print job and click  or **Hold**. To resume a print job, click the paused print job and click  or **Resume**.
- To pause printing for all queued print jobs, click **Pause** or **Pause Printer**.
- To display other printer information, click **Settings**.

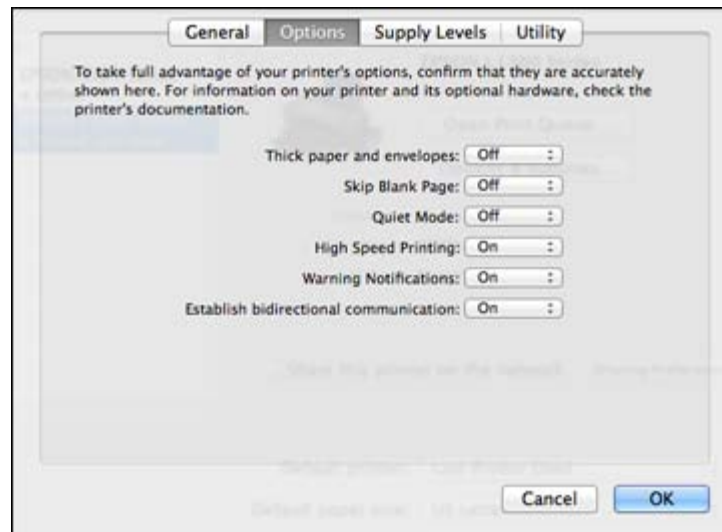
Parent topic: [Printing Your Document or Photo - OS X](#)

## Selecting Printing Preferences - OS X

You can select printing preferences that apply to all the print jobs you send to your product.

1. In the Apple menu or the Dock, select **System Preferences**.
2. Select **Print & Fax**, **Print & Scan**, or **Printers & Scanners**, select your product, and select **Options & Supplies**.
3. Select **Driver** or **Options**.

You see a screen like this:



4. Select any of the available printing preferences.
5. Click **OK**.

[Printing Preferences - OS X](#)

**Parent topic:** [Printing with OS X](#)

## Printing Preferences - OS X

You can select from these settings on the Options or Driver tab.

**Note:** **Quiet Mode** is not available on the L1800.

### **Thick paper and envelopes**

Prevents ink from smearing when you print on envelopes or other thick paper.

### **Skip Blank Page**

Ensures that your product does not print pages that contain no text or images.

### **Quiet Mode**

Lessens noise during printing when you select **Plain Paper/Bright White Paper** as the paper Type or Media Type setting.

### **High Speed Printing**

Speeds up printing, but may reduce print quality.

### **Warning Notifications**


Lets you choose whether or not to receive warning notifications from the printer software for various operating conditions.

### **Establish bidirectional communication**

Allows the product to communicate with the computer. Do not change the default setting unless you experience issues when using a shared printing pool.

**Parent topic:** [Selecting Printing Preferences - OS X](#)

## Canceling Printing Using a Product Button

If you need to cancel printing, press the  cancel button on your product.

**Parent topic:** [Printing From a Computer](#)

---

# Refilling Ink

When the ink level in an ink tank is low, you need to refill it.

Before checking the ink level or refilling an ink tank as described here, be sure to read the ink safety precautions.

**Caution:** If the ink level is below the lower line on the ink tank, fill it to the upper line on the ink tank. Continued use of the product when the ink level is below the lower line on the tank could damage the product.

[Ink Safety Precautions](#)

[Check Ink Levels](#)

[Purchase Epson Ink](#)

[Refilling the Ink Tanks](#)

## Ink Safety Precautions

### Ink Handling Precautions

Observe the following when handling the ink:

- Keep ink bottles and the ink tank unit out of the reach of children. Do not allow children to drink from or handle the ink bottles and bottle caps.
- Do not tilt or shake an ink bottle after removing its seal; otherwise, ink may leak.

### Ink Refilling Precautions

- Use ink bottles with the correct part number for this product.
- The use of non-Epson ink may cause damage that is not covered by Epson's warranty, and under certain circumstances, may cause erratic product behavior.
- This product requires careful handling of ink. Ink may splatter when the ink tanks are filled or refilled with ink. If ink gets on your clothes or belongings, it may not come off.
- Do not open the ink bottle package until you are ready to fill an ink tank. Ink bottles are vacuum packed to maintain reliability. If you leave an ink bottle unpacked for a long time before using it, print quality may be affected.
- If the ink level is below the lower line on the ink tank, refill the ink soon. Continued use of the product when the ink level is below the lower line on the ink tank could damage the product.



- After bringing an ink bottle inside from a cold storage site, allow it to warm up at room temperature for at least three hours before using it.
- Store ink bottles in a cool, dark place.
- Store the ink bottles in the same environment as the product. When storing or transporting an ink bottle after removing its seal, do not tilt the bottle and do not subject it to impacts or temperature changes. Otherwise, ink may leak even if the cap on the ink bottle is tightened securely. Be sure to keep the ink bottle upright when tightening the cap, and take measures to prevent ink from leaking when you transport the bottle.

#### **Ink Bottle and Ink Tank Information**

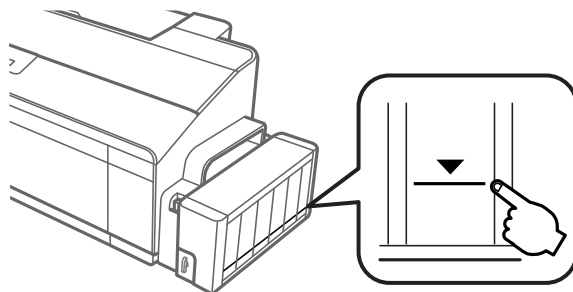
- To maintain optimum print head performance, some ink is consumed from all ink tanks during printing and when performing maintenance operations, such as cleaning the print head.
- The ink bottles may contain recycled materials, but this does not affect product function or performance.
- When printing in monochrome or grayscale, color ink may be used, instead of black ink, depending on the paper type or print quality settings. This is because a mixture of color inks is used to create black.

**Parent topic:** [Refilling Ink](#)

## **Check Ink Levels**

To confirm the actual ink remaining, visually check the ink levels in the product's ink tanks. Make sure the ink levels are above the lower lines on the ink tanks.

**Caution:** If the ink level is below the lower line on the ink tank, fill it to the upper line on the ink tank. Continued use of the product when the ink level is below the lower line on the tank could damage the product.



**Note:** The L1300 has five ink tanks, including two black ink tanks. Make sure the ink levels for both black tanks are above the lower lines on the ink tanks.

[Disabling Special Offers with Windows](#)

**Parent topic:** [Refilling Ink](#)

**Related references**

[Ink Safety Precautions](#)

**Related tasks**

[Refilling the Ink Tanks](#)

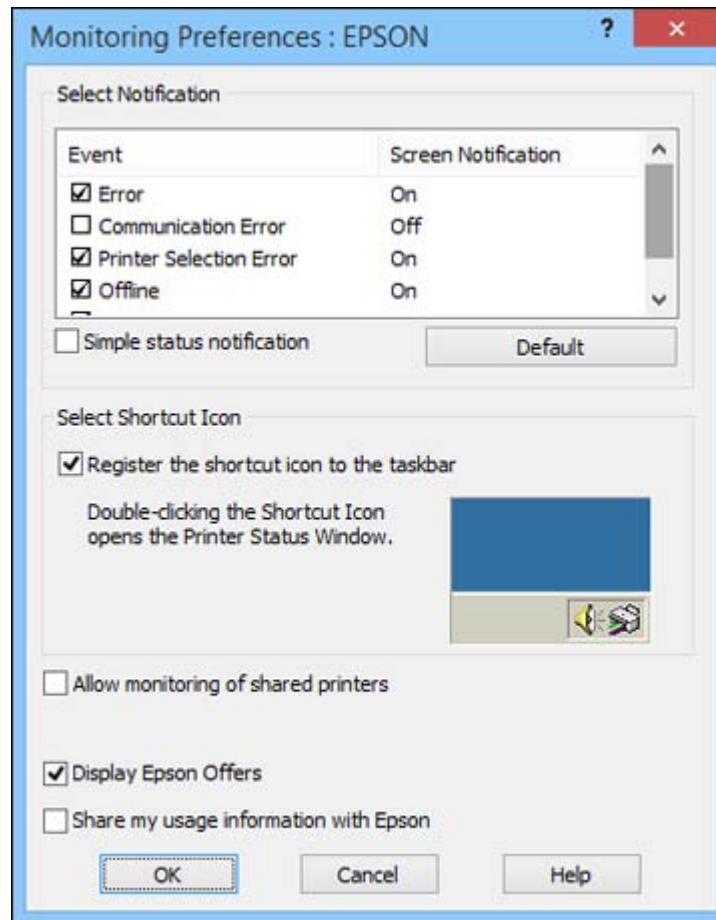
## Disabling Special Offers with Windows

You can disable special offers messages from Epson using a utility on your Windows computer.

**Note:** You may see the Epson Special Offers screen every time you print (if your computer is connected to the Internet). Select **Do not display this message again** and click **Decline** to disable online offers. Promotional offers are not valid in Latin America.

1. Right-click the product icon in the Windows taskbar and select **Monitoring Preferences**.

You see this window:



2. To disable promotional offers, deselect the **Display Epson Offers** checkbox. (Promotional offers not available in Latin America.)

Parent topic: [Check Ink Levels](#)

## Purchase Epson Ink

You can purchase genuine Epson ink and paper from an Epson authorized reseller. To find the nearest reseller, visit [global.latin.epson.com](http://global.latin.epson.com) or call your nearest Epson sales office (website available in Spanish and Portuguese only).

**Note:** This product was originally designed to work with genuine Epson inks. Your product may not function properly if you use other types of ink and may affect Epson's warranty.

The included ink bottles must be used for printer setup and are not for resale. The printer ships with full ink bottles and part of the ink from the first bottles is used to charge the print head. Yields vary considerably based on images printed, print settings, paper type, frequency of use, and temperature. For print quality, a small amount of ink remains in the tank after the "refill ink" indicator comes on.

The ink bottles that came with your printer have a lower yield due to the ink charging process. This process is carried out the first time you turn on the printer and guarantees better performance. Do not load paper before refilling the ink tanks.

[Ink Bottle Part Numbers](#)

**Parent topic:** [Refilling Ink](#)

## Ink Bottle Part Numbers

Use these part numbers when you purchase new ink bottles, and use the ink by the date printed on the package:

### L1300 Ink Bottle Part Numbers

Ink color	Part number
Black	T6641
Cyan	T6642
Magenta	T6643
Yellow	T6644

### L1800 Ink Bottle Part Numbers

Ink color	Part number
Black	T6731
Cyan	T6732
Magenta	T6733
Yellow	T6734
Light Cyan	T6735

Ink color	Part number
Light Magenta	T6736

Parent topic: [Purchase Epson Ink](#)

## Refilling the Ink Tanks

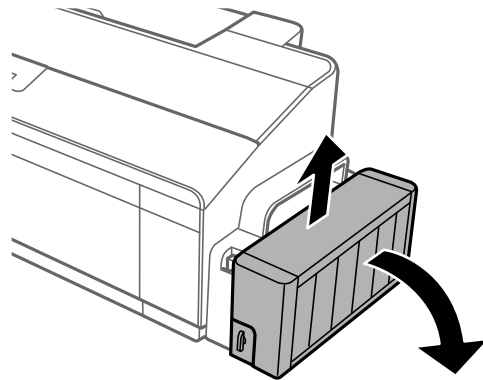
Make sure you have new ink bottles handy and have read the ink safety precautions before you begin.

You can continue to use the product even if one or more ink tanks are not filled all the way. However, to keep your product operating at its best, fill all the ink tanks up to the top line.

**Caution:** Wear plastic gloves while refilling the ink tanks to avoid staining your hands.

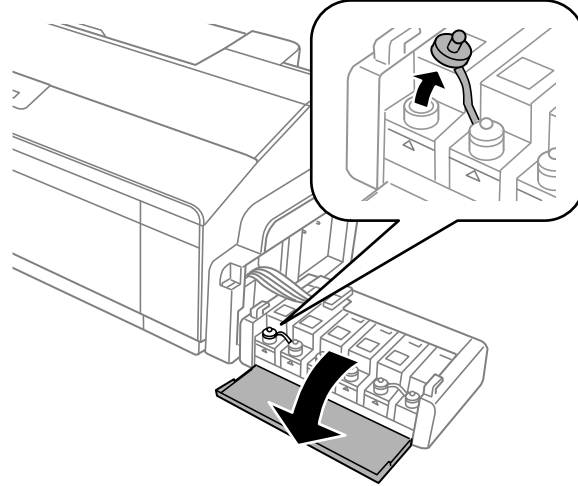
**Note:** Your product may differ from the illustrations in this section, but the instructions are the same.

1. Place a sheet of paper under the ink tank area in case of spills.
2. Turn on your product.
3. Make sure the  $\odot$  power light is on, but not flashing.
4. Unhook the ink tank unit from the product and lay it down.



**Note:** Do not pull on the ink tubes.

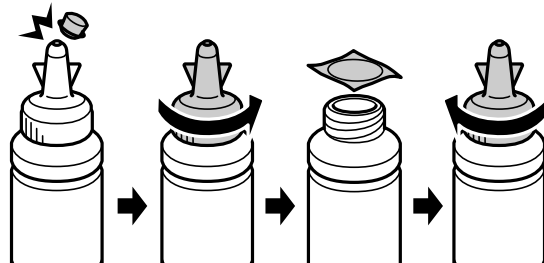
5. Open the ink tank unit cover, then remove the ink tank's cap.



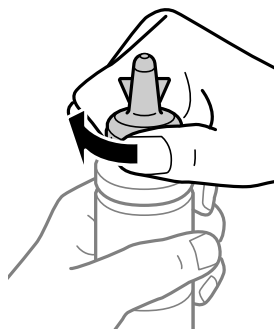
**Note:** Make sure the color of the ink tank matches the ink color you want to refill, and only remove the cap from that ink tank. Be careful not to spill any ink.

6. Snap off the tip of the bottle cap, but do not dispose of the bottle cap tip so you can use it to seal the bottle cap later, if necessary. Then remove the cap, remove the seal from the bottle, and replace the cap on the bottle.

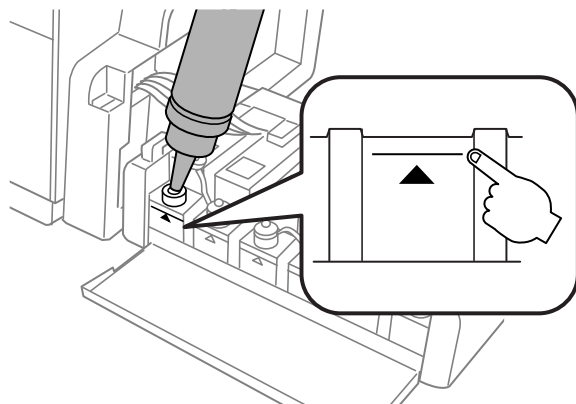
**Note:** Make sure the color of the ink bottle matches the ink color you want to refill.



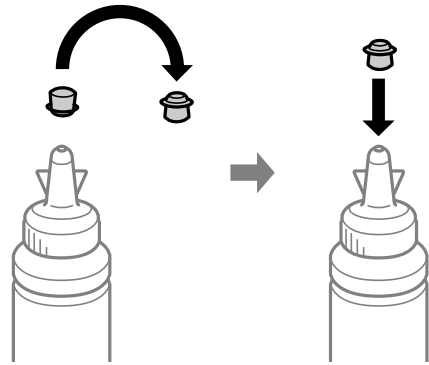
**Caution:** Install the bottle cap tightly; otherwise, ink may leak.



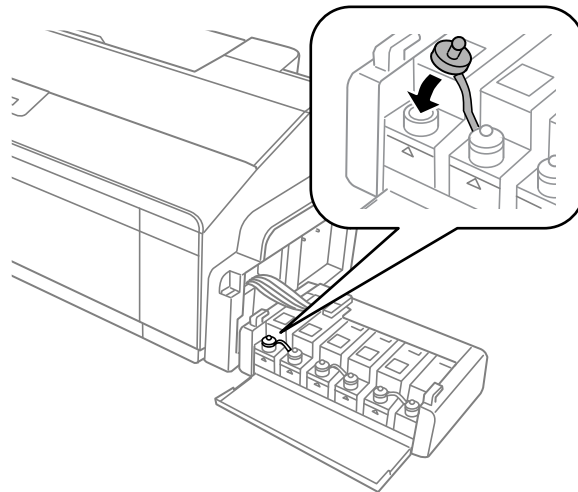
7. Refill the ink tank with the correct color ink up to the upper line on the ink tank.



8. If any ink remains in the ink bottle after filling the ink tank, place the bottle cap tip securely on the bottle cap and store the ink bottle upright for later use.



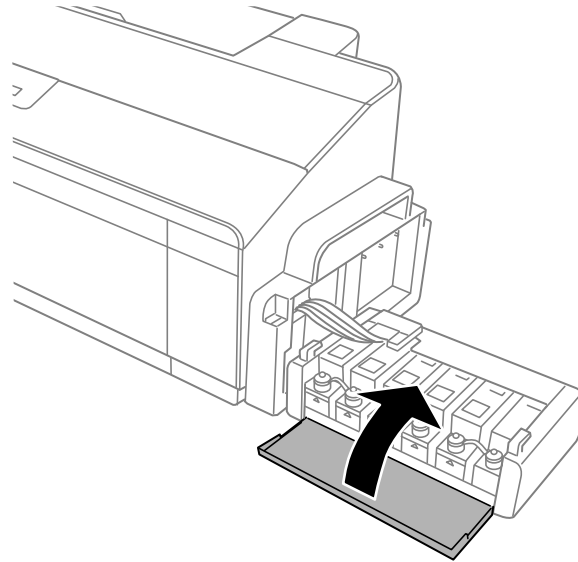
9. Place the cap securely on the ink tank.



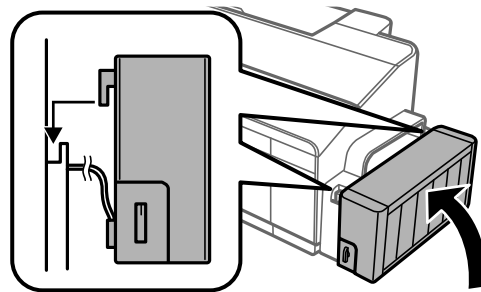
10. Repeat the previous steps as necessary for each ink color you need to refill.



11. Close the ink tank unit cover.



12. Hook the ink tank unit onto the product.



**Parent topic:** [Refilling Ink](#)

**Related concepts**

[Purchase Epson Ink](#)

**Related references**

[Ink Safety Precautions](#)

---

## Adjusting Print Quality

If your print quality declines, you may need to run a utility to clean or align the print head.

If running these utilities does not solve the problem, you may need to flush the ink tubes.

[Print Head Maintenance](#)

[Print Head Alignment](#)

[Cleaning the Paper Path](#)

[Checking the Number of Sheets](#)

**Related concepts**

[Ink Tube Flushing](#)

## Print Head Maintenance

If your printouts become too light, or you see dark or light bands across them, you may need to clean the print head nozzles. Cleaning uses ink, so clean the nozzles only if print quality declines.

You can check for clogged nozzles before you clean them so you don't clean them unnecessarily.

**Note:** You may not be able to clean the print head when the ink level in any of the tanks is low. You may have to refill the ink tank first.

[Print Head Nozzle Check](#)

[Print Head Cleaning](#)

[Ink Tube Flushing](#)

**Parent topic:** [Adjusting Print Quality](#)

**Related tasks**

[Refilling the Ink Tanks](#)

## Print Head Nozzle Check

You can print a nozzle check pattern to check for clogged nozzles.

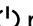


[Checking the Nozzles Using the Product Buttons](#)

[Checking the Nozzles Using a Computer Utility](#)

**Parent topic:** [Print Head Maintenance](#)

## Checking the Nozzles Using the Product Buttons

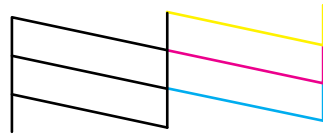
You can check the print head nozzles using the buttons on your product.

1. Press the  power button to turn the product off.
2. Load a few sheets of plain paper in the product.
3. Hold down the  paper button and press the  power button to turn the product on.
4. When the product turns on, release both buttons.

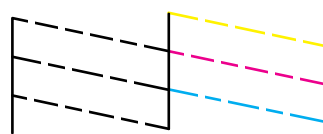
The product begins printing a nozzle check pattern.

5. Check the printed pattern to see if there are gaps in the lines.

### Print head is clean



### Print head needs cleaning



6. If there are no gaps, the print head is clean and you can continue printing.

If there are gaps or the pattern is faint, clean the print head.

**Parent topic:** [Print Head Nozzle Check](#)

### Related concepts

[Print Head Cleaning](#)

### Related tasks

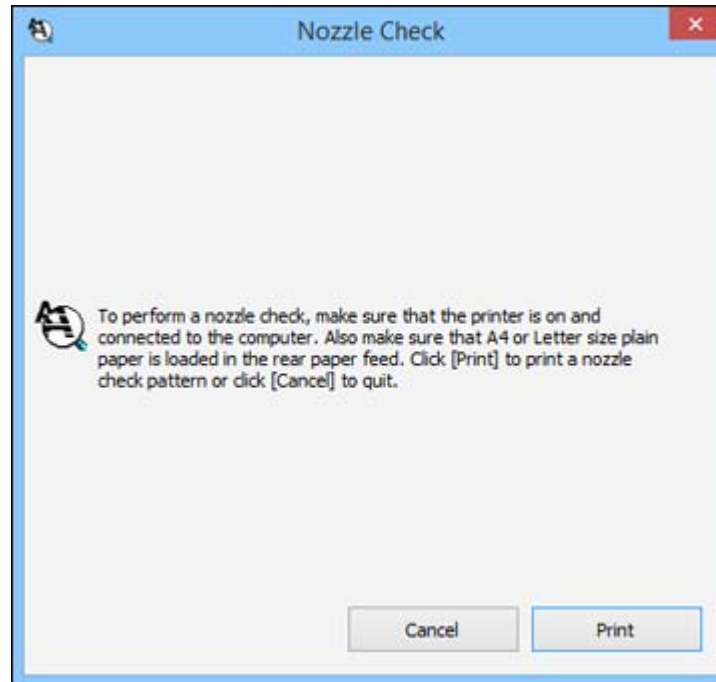
[Loading Paper in the Printer](#)

## Checking the Nozzles Using a Computer Utility

You can check the print head nozzles using a utility on your Windows or Mac computer.

1. Make sure no product lights are indicating errors.
2. Load a few sheets of plain paper in the product.
3. Do one of the following:
  - **Windows:** Access the Windows Desktop and right-click the product icon in the Windows taskbar.
  - **OS X 10.6/10.7/10.8/10.9:** In the Apple menu or the Dock, select **System Preferences**. Select **Print & Fax**, **Print & Scan**, or **Printers & Scanners**, select your product, and select **Options & Supplies**. Select **Utility** and select **Open Printer Utility**.
  - **OS X 10.5:** In the Apple menu or the Dock, select **System Preferences**. Select **Print & Fax**, select your product, and select **Open Print Queue**. Select **Utility**.
4. Select **Nozzle Check**.

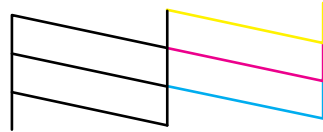
You see a window like this:



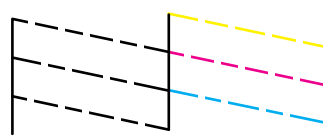
5. Click **Print**.

6. Check the printed pattern to see if there are gaps in the lines.

**Print head is clean**



**Print head needs cleaning**



7. If there are no gaps, click **Finish**.

If there are gaps or the pattern is faint, clean the print head.

**Parent topic:** [Print Head Nozzle Check](#)

**Related concepts**

[Print Head Cleaning](#)

**Related tasks**

[Loading Paper in the Printer](#)

## Print Head Cleaning

If print quality has declined and the nozzle check pattern indicates clogged nozzles, you can clean the print head.

**Note:** You may not be able to clean the print head when the ink level in any of the tanks is low. You may have to refill the ink tank first.

[Cleaning the Print Head Using the Product Buttons](#)

[Cleaning the Print Head Using a Computer Utility](#)

**Parent topic:** [Print Head Maintenance](#)

## Related tasks

[Refilling the Ink Tanks](#)

### Cleaning the Print Head Using the Product Buttons

You can clean the print head using the buttons on your product.

1. Make sure no product lights are indicating errors.
2. Load a few sheets of plain paper in the product.
3. Hold down the  $\Delta$  ink button for 3 seconds to start the cleaning cycle.

The  $\odot$  power light flashes throughout the cleaning cycle and stays on when the cleaning cycle is finished.

**Caution:** Never turn off the product during a cleaning cycle or you may damage it.

4. Run a nozzle check to confirm that the print head is clean.

If you don't see any improvement after cleaning the print head up to 3 times, turn off the product and wait at least 12 hours. Then check the print head nozzles and try cleaning the print head again, if necessary. If quality still does not improve, contact Epson.

**Parent topic:** [Print Head Cleaning](#)

## Related concepts

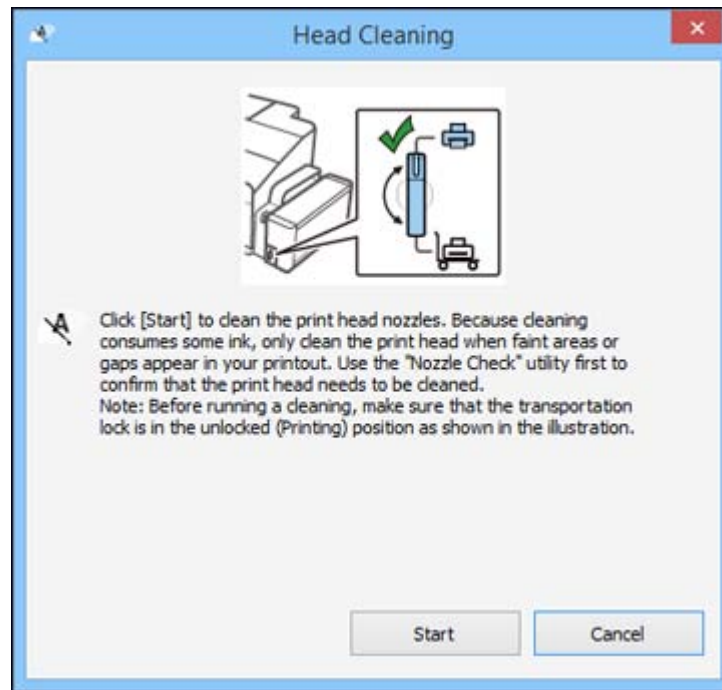
[Print Head Nozzle Check](#)

### Cleaning the Print Head Using a Computer Utility

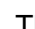
You can clean the print head using a utility on your Windows or Mac computer.

1. Make sure no product lights are indicating errors.
2. Load a few sheets of plain paper in the product.
3. Do one of the following:
  - **Windows:** Access the Windows Desktop and right-click the product icon in the Windows taskbar.
  - **OS X 10.6/10.7/10.8/10.9:** In the Apple menu or the Dock, select **System Preferences**. Select **Print & Fax**, **Print & Scan**, or **Printers & Scanners**, select your product, and select **Options & Supplies**. Select **Utility** and select **Open Printer Utility**.
  - **OS X 10.5:** In the Apple menu or the Dock, select **System Preferences**. Select **Print & Fax**, select your product, and select **Open Print Queue**. Select **Utility**.
4. Select **Head Cleaning**.


You see a window like this:



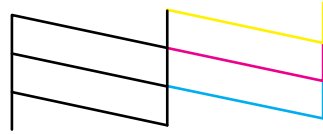
5. Click **Start** to begin the cleaning cycle.

The  power light flashes throughout the cleaning cycle and stays on when the cleaning cycle is finished.

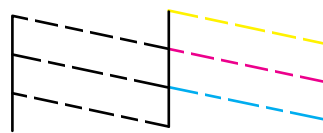
**Caution:** Never turn off the product during a cleaning cycle or you may damage it.

6. When the  power light stops flashing and remains on, you can check to see if the nozzles are clean; click **Print Nozzle Check Pattern** and click **Print**.
7. Check the printed pattern to see if there are gaps in the lines.

**Print head is clean**



**Print head needs cleaning**



- If there are no gaps, click **Finish**.
- If there are gaps or the pattern is faint, click **Clean** to clean the print head again.

If you don't see any improvement after cleaning the print head up to 3 times, turn off the product and wait at least 12 hours. Then check the print head nozzles and try cleaning the print head again, if necessary. If quality still does not improve, contact Epson.

**Parent topic:** [Print Head Cleaning](#)

**Related concepts**

[Print Head Nozzle Check](#)

## Ink Tube Flushing

If you have not used the product for a long time and see white or dark lines or missing colors in your printouts, even after cleaning the print head several times, you can flush the ink tubes.

Flushing the ink tubes replaces all the ink inside the tubes, so flush the ink only if you cannot improve print quality by cleaning the print head several times.

**Note:** After flushing the ink tubes, you must turn off the product and wait at least 12 hours before printing again.

**Caution:** Flushing the ink tubes consumes a lot of ink. Before flushing the ink tubes, make sure there is enough ink in the ink tanks. If necessary, refill the ink tanks before flushing the ink tubes.

Flushing the ink tubes affects the service life of the ink pads by causing them to reach their capacity sooner. Contact Epson to purchase replacement ink pads before they reach the end of their service life.



When the ink pads reach the end of their service life, the product stops printing and you must contact Epson for support.

### [Flushing the Ink Tubes Using a Computer Utility](#)

**Parent topic:** [Print Head Maintenance](#)

#### **Related concepts**

[Print Head Cleaning](#)

#### **Related tasks**

[Refilling the Ink Tanks](#)

### **Flushing the Ink Tubes Using a Computer Utility**

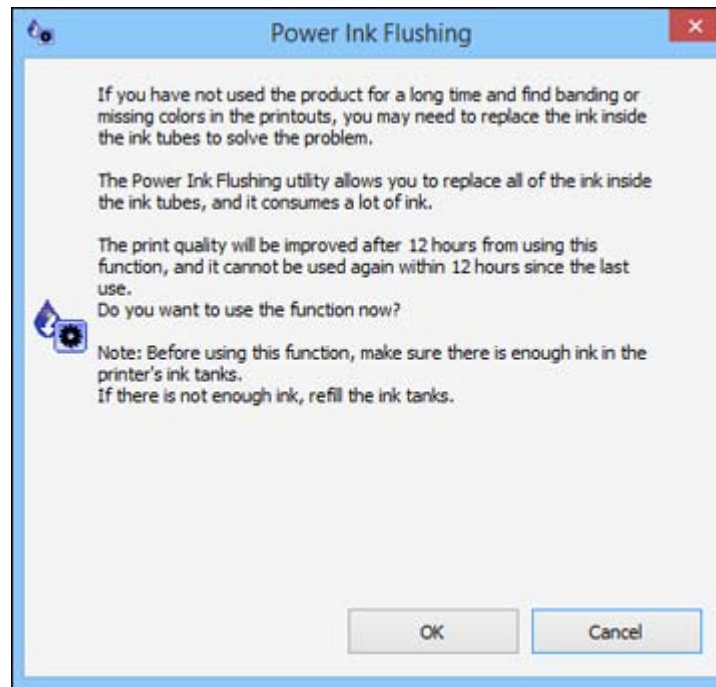
You can use the Power Ink Flushing utility to flush the ink tubes.

**Note:** After flushing the ink tubes, you must turn off the product and wait at least 12 hours before printing again.

Before you begin, make sure no product lights are indicating errors.

1. Do one of the following:
  - **Windows:** Right-click the product icon in the Windows taskbar and select **Printer Settings**. Then click the **Maintenance** tab.
  - **OS X 10.6/10.7/10.8/10.9:** In the Apple menu or the Dock, select **System Preferences**. Select **Print & Fax**, **Print & Scan**, or **Printers & Scanners**, select your product, and select **Options & Supplies**. Select **Utility** and select **Open Printer Utility**.
  - **OS X 10.5:** In the Apple menu or the Dock, select **System Preferences**. Select **Print & Fax**, select your product, and select **Open Print Queue**. Select **Utility**.
2. Click the **Power Ink Flushing** button.

You see a window like this:



3. Follow the on-screen instructions to flush the ink tubes.
4. When you finish flushing the ink tubes, turn off the product and wait at least 12 hours before printing.
5. Print a document and check the print quality. If the print quality did not improve, contact Epson for support.

**Parent topic:** [Ink Tube Flushing](#)

## Print Head Alignment

If your printouts become grainy or blurry, you notice misalignment of vertical lines, or you see dark or light horizontal bands, you may need to align the print head.

**Note:** Banding may also occur if your print head nozzles need cleaning.

[Aligning the Print Head Using a Computer Utility](#)

**Parent topic:** [Adjusting Print Quality](#)

## Related concepts

[Print Head Cleaning](#)

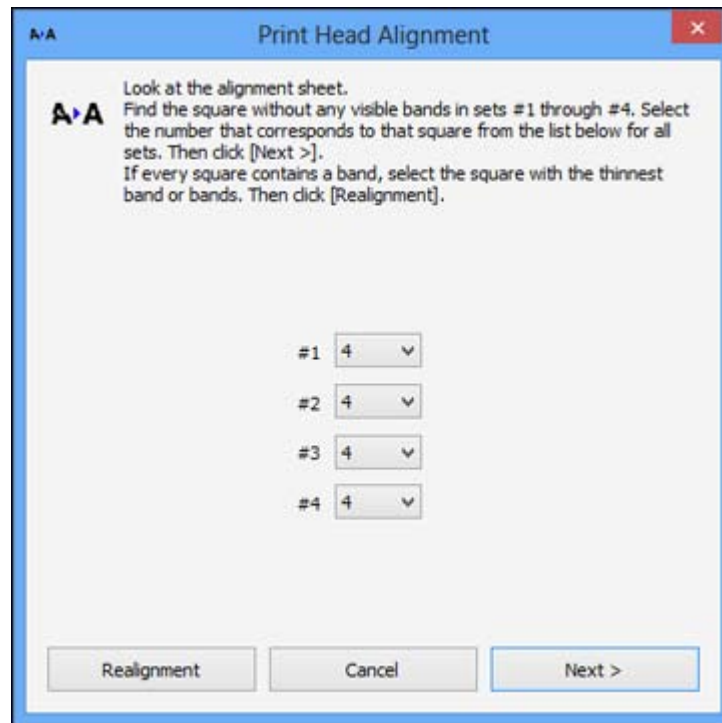
### Aligning the Print Head Using a Computer Utility

You can align the print head using a utility on your Windows computer or Mac.

1. Make sure no product lights are indicating errors.
2. Load a few sheets of plain paper in the product.
3. Do one of the following:
  - **Windows:** Access the Windows Desktop and right-click the product icon in the Windows taskbar.
  - **OS X 10.6/10.7/10.8/10.9:** In the Apple menu or the Dock, select **System Preferences**. Select **Print & Fax**, **Print & Scan**, or **Printers & Scanners**, select your product, and select **Options & Supplies**. Select **Utility** and select **Open Printer Utility**.
  - **OS X 10.5:** In the Apple menu or the Dock, select **System Preferences**. Select **Print & Fax**, select your product, and select **Open Print Queue**. Select **Utility**.
4. Select **Print Head Alignment**, then select the type of alignment you want to perform, if necessary.
5. Click **Next**, then click **Print** to print an alignment sheet.

**Note:** Do not cancel printing while you are printing a head alignment pattern.

You see a window like this:



**Note:** Your screen may look different, but the instructions are the same.

6. Check the printed pattern and follow the instructions on the screen to choose the number representing the best printed pattern for each set.
  - After choosing each pattern number, click **Next**.
  - If no patterns are aligned in one or more of the sets, choose the closest one in each set and click **Realignment**. Then print another alignment sheet and check it.


**Note:** Click **Skip** (where available) if you want to skip a particular alignment sheet.

7. When you are done, click **Finish**.

**Parent topic:** [Print Head Alignment](#)

## Cleaning the Paper Path

If you see ink on the back of a printout, you can clean the paper path to remove any excess ink.

1. Load a few sheets of plain paper.
2. Press the  paper button to load and eject paper.
3. Repeat as necessary until the paper comes out clean.

**Parent topic:** [Adjusting Print Quality](#)

## Checking the Number of Sheets

You can view an option that displays the number of sheets of paper that have fed through the product.

[Checking the Sheet Counter - Windows](#)

[Checking the Sheet Counter - OS X](#)

**Parent topic:** [Adjusting Print Quality](#)

## Checking the Sheet Counter - Windows

You can check the the number of sheets of paper that have fed through the product by checking the sheet counter.

1. Right-click the product icon in the Windows taskbar.
2. Select **Printer Settings**.
3. Click the **Maintenance** tab.
4. Select **Printer and Option Information**.

You see this window:

**Printer and Option Information**

Power Off Timer  
Current Printer Setting : Off  
Off

Sleep Timer  
Current Printer Setting : 3 minutes  
3 minutes

Printer ID  
ID 0

Option information has already been stored. Therefore, you do not need to enter any information.

Number of Sheets of Paper Fed into the Printer  
The number of sheets is displayed when EPSON Status Monitor 3 is enabled.  
Number of Sheets 2

5. After checking the number of sheets fed into the printer, click **OK** to close the window.

**Note:** The number of sheets is displayed only when Epson Status Monitor 3 is enabled.

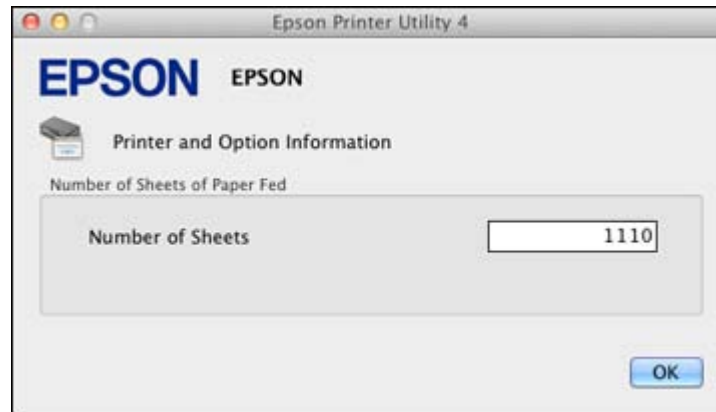
**Parent topic:** [Checking the Number of Sheets](#)

## Checking the Sheet Counter - OS X

You can check the the number of sheets of paper that have fed through the product by checking the sheet counter.

1. Do one of the following:
  - **OS X 10.6/10.7/10.8/10.9:** In the Apple menu or the Dock, select **System Preferences**. Select **Print & Fax**, **Print & Scan**, or **Printers & Scanners**, select your product, and select **Options & Supplies**. Select **Utility** and select **Open Printer Utility**.
  - **OS X 10.5:** In the Apple menu or the Dock, select **System Preferences**. Select **Print & Fax**, select your product, and select **Open Print Queue**. Select **Utility**.
2. Select **Printer and Option Information**.

You see this window:



3. After checking the number of sheets fed into the printer, click **OK** to close the window.

**Parent topic:** [Checking the Number of Sheets](#)

---

# Cleaning and Transporting the Product

If your product gets dirty or you need to move it some distance, follow the instructions in these sections.

[Cleaning the Product](#)

[Transporting Your Product](#)

## Cleaning the Product

To keep your product working at its best, you should clean it several times a year.

Close the output tray and paper support when you are not using the product to protect it from dust.

**Caution:** Do not use a hard brush, benzene, alcohol, or paint thinner to clean the product or you may damage it. Do not place anything on top of the cover or use the cover as a writing surface, or it could get permanently scratched. Do not use oil or other lubricants inside the product or let water get inside.

1. Turn off the product.
2. Unplug the power cable.
3. Disconnect any connected cables.
4. Remove all the paper.
5. Clean the outer case with a soft, dry cloth. Do not use any liquid or chemical cleansers.

**Parent topic:** [Cleaning and Transporting the Product](#)

## Transporting Your Product

If you need to ship your product or transport it some distance, prepare it for transportation as described here.

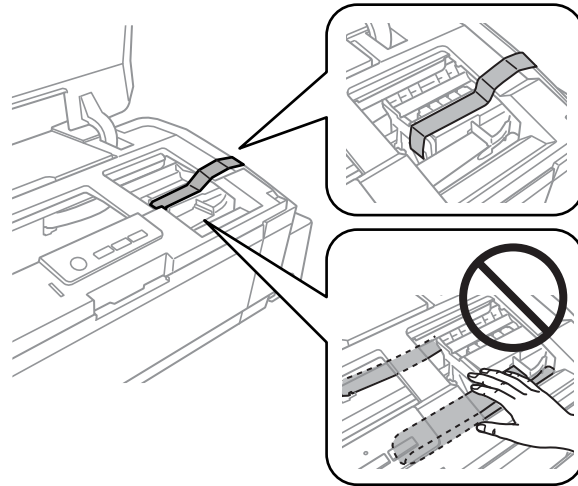
**Caution:** During transportation and storage, follow these guidelines:

- Avoid tilting the product, placing it vertically, or turning it upside down; otherwise ink may leak.
- When storing or transporting an ink bottle after removing its seal, do not tilt the bottle and do not subject it to impacts or temperature changes. Otherwise, ink may leak even if the cap on the ink bottle is tightened securely. Be sure to keep the ink bottle upright when tightening the cap, and take measures to prevent ink from leaking when transporting the ink bottles.

1. Turn off the product.




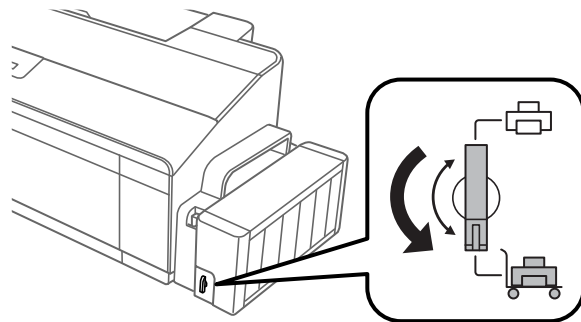
2. Open the printer cover and check to see if the print head is in the far right position (the home position). If not, turn on the product, wait for the print head to move to the far right, then turn the product off again.
3. Secure the print head to the case with tape.



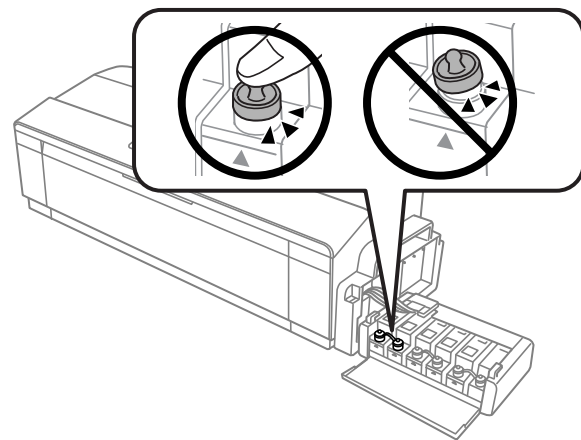
**Caution:** Do not place tape on the white flat cable inside the product; otherwise, you may damage your product.

4. Close the printer cover.
5. Remove all the paper from the product.
6. Unplug the power cable.
7. Disconnect any connected cables.

8. Set the transportation lock to the locked (transport) position: .

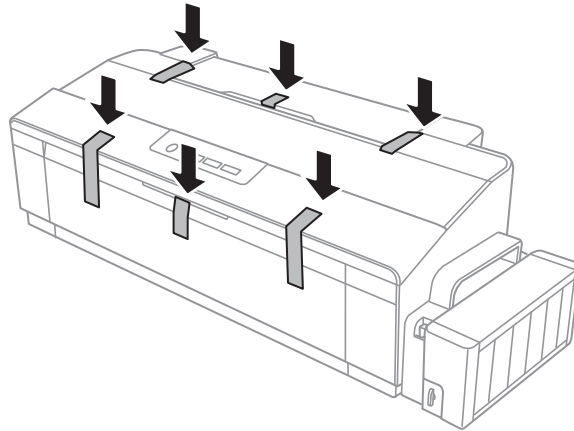


9. Unhook the ink tank unit and lay it down, then check to make sure that the ink tank caps are installed securely.



10. Hook the ink tank unit onto the product.

11. Close the output tray and paper support.
12. Tape both sides of the output tray and paper support to the product's case as shown:




13. Place the product in its original packaging materials, if possible, or use equivalent cushioning around the product.

**Caution:**

- Keep the product level during transport. Otherwise, ink may leak.
- Do not put opened ink bottles in the box with product.

Before using the product:

- Be sure to remove the tape from the print head.
- Be sure to set the transportation lock to the unlocked (printing) position: .

If print quality has declined when you print again, clean and align the print head.

**Parent topic:** [Cleaning and Transporting the Product](#)

**Related concepts**

[Print Head Cleaning](#)

[Print Head Alignment](#)

---

## Solving Problems

Check these sections for solutions to problems you may have using your product.

[Checking for Software Updates](#)

[Product Light Status](#)

[Running a Product Check](#)

[Solving Setup Problems](#)

[Solving Paper Problems](#)

[Solving Problems Printing from a Computer](#)

[Solving Page Layout and Content Problems](#)

[Solving Print Quality Problems](#)

[When to Uninstall Your Product Software](#)

[Where to Get Help](#)

### Checking for Software Updates

Periodically, it's a good idea to check Epson's support website for free updates to your product software. Visit the driver download site at [global.latin.epson.com/Soporte](http://global.latin.epson.com/Soporte) (website available in Spanish and Portuguese only).

- **Windows:** Your printer software automatically checks for updates. You can also manually update the software by selecting **Software Update** here:
  - Accessing the Windows Desktop and right-clicking the product icon in the Windows taskbar
  - On the **Maintenance** tab in the printer settings window

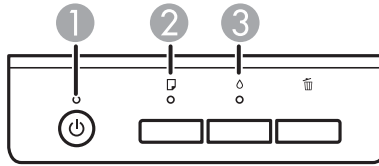
You can also update the software by selecting **EPSON Software Updater** in the **EPSON** or **EPSON Software** program group, accessible by the **Start** button, or on the **Start** or **Apps** screens, depending on your version of Windows.

- **OS X:** You can manually update the software by opening the **Applications > Epson Software** folder and selecting **EPSON Software Updater**.

Parent topic: [Solving Problems](#)

### Product Light Status

You can often diagnose problems with your product by checking its lights.



Lights	
1	⏻ power
2	📄 paper
3	⚠ ink

Light status	Condition/solution
The ⏻ power light is on	The product is turned on.
The ⏻ power light is flashing	The product is busy. Wait for the ⏻ power light to stop flashing before turning off the product. If you just filled the ink, the ⏻ power light will flash for approximately 20 minutes. Do not cancel this process.
The 📄 paper light is flashing	Paper is jammed in the product. Remove the jammed paper and press the 🗑 cancel button. On the L1300, the printer cover may be open.
The 📄 paper light is on	No paper is loaded or multiple sheets fed at one time. Load paper in the product and press the 🗑 cancel button to clear the error.
The 📄 paper light and ⚠ ink light are flashing alternately	The ink pads are near the end of their service life. Contact Epson for support. (To continue printing, press the 🗑 cancel button.)
The ⏻ power light is on The 📄 paper light and ⚠ ink light are flashing slowly	An unknown product error has occurred. Turn the product off and then back on again. If the error continues, check for a paper jam. If the error persists, contact Epson for support.
The ⏻ power light is on The ⚠ ink light is on	Initial ink charging may not be complete. Fill the ink tanks as described on the <i>Start Here</i> sheet. Turn on the product and press the ⚠ ink button for 3 seconds until the ⏻ power light starts flashing and ink charging begins. Wait until the ⏻ power light stops flashing and charging is complete after about 20 minutes.

**Note:** The ink pads in the printer collect, distribute, and contain the ink that is not used on printed pages. During the life of your product it may reach a condition where either satisfactory print quality cannot be maintained or the ink pads have reached the end of their usable life. The Epson Status Monitor, your LCD, or lights on the control panel will advise you when these parts need replacing. If this happens during the standard warranty of the product, the exchange of the product or replacement of the pads is covered under the standard warranty. If the product is out of warranty, the pads can be replaced by any Epson authorized service provider. The waste ink pads are not a user-replaceable part.

**Parent topic:** [Solving Problems](#)

**Related references**

[Paper Jam Problems](#)

[Where to Get Help](#)

**Related tasks**

[Refilling the Ink Tanks](#)




[Checking for Software Updates](#)

**Related topics**

[Loading Paper](#)

## Running a Product Check

Running a product check helps you determine if your product is operating properly.

1. Press the  power button to turn the product off.
2. Disconnect any interface cables connected to your product.
3. Load plain paper in the product.
4. Hold down the  paper button and press the  power button to turn the product on.
5. When the product turns on, release both buttons.

The product begins printing a nozzle check pattern.

6. Do the following, depending on the results of the product check:
  - If the page prints and the nozzle check pattern is complete, the product is operating properly. Any operation problem you may have could be caused by your computer, cable, software, or selected settings. Check the other solutions in this manual or try uninstalling and reinstalling your printer software.
  - If the page prints but the nozzle check pattern has gaps, clean or align the print head.

- If the page does not print, the product may have a problem. Check the other solutions in this manual. If they do not work, contact Epson.

**Parent topic:** [Solving Problems](#)

**Related concepts**

[Print Head Cleaning](#)

[Print Head Alignment](#)

[When to Uninstall Your Product Software](#)

**Related references**

[Where to Get Help](#)

## Solving Setup Problems

Check these sections if you have problems while setting up your product.

[Noise After Filling the Ink](#)


[Software Installation Problems](#)

[Product Lights Turn On and then Turn Off](#)

**Parent topic:** [Solving Problems](#)

## Noise After Filling the Ink

If you hear noises from your product after filling the ink tanks with ink, check these explanations:

- The first time you fill the tanks with ink, the product must charge its print head. Wait until charging finishes before you turn off the product, or it may charge improperly and use excess ink the next time you turn it on. Your product is finished charging the print head when the  power light stops flashing.
- If the product's print head stops moving or making noise, and the charging process has not finished after approximately 20 minutes, turn off your product. Turn it back on and check to see if charging is still in progress. If it is still in progress, contact Epson for help.

**Parent topic:** [Solving Setup Problems](#)

**Related tasks**

[Refilling the Ink Tanks](#)

## Software Installation Problems

If you have problems while installing your product software, try these solutions:

- Make sure your product is turned on and any necessary cables are securely connected at both ends. If you still have problems installing software, disconnect the cable and carefully follow the instructions on the *Start Here* sheet. Also make sure your system meets the requirements for your operating system.
- Close any other programs, including screen savers and virus protection software, and install your product software again.
- In Windows, make sure your product is selected as the default printer and the correct port is shown in the printer properties.
- If you see any error message or your software does not install correctly in Windows, you may not have software installation privileges. Contact your System Administrator.

**Parent topic:** [Solving Setup Problems](#)

### Related concepts

[When to Uninstall Your Product Software](#)

### Related references

[Windows System Requirements](#)

[OS X System Requirements](#)

## Product Lights Turn On and then Turn Off

The product voltage may not match the electrical outlet rating. Unplug it immediately and check the label on the back of the product for its voltage rating.

**Caution:** If the voltage rating does not match, do not plug your product back in. Contact Epson for support.

**Parent topic:** [Solving Setup Problems](#)

### Related references

[Where to Get Help](#)

## Solving Paper Problems

Check these sections if you have problems using paper with your product.

[Paper Feeding Problems](#)

[Paper Jam Problems](#)



## [Paper Ejection Problems](#)

**Parent topic:** [Solving Problems](#)

### **Paper Feeding Problems**

If you have problems feeding paper, try these solutions:

- If paper does not feed for printing, remove it. Then reload it in the rear paper feed against the right side and beneath the tab. Slide the edge guide against the edge of the paper, making sure that the paper stack is not above the arrow mark on the edge guide.
- If multiple pages feed at once, remove the paper, fan the edges to separate the sheets, and reload it.
- If paper jams when you load only one or two sheets, try loading more sheets at a time. Do not load more than the recommended number of sheets.
- If paper jams when you print on both sides of the paper, try loading fewer sheets.
- Make sure your paper meets the specifications for your product.
- For best results, follow these guidelines:
  - Use new, smooth, high-quality paper that is not curled, creased, old, too thin, or too thick.
  - Load paper in the rear paper feed printable side up.
  - Do not load paper with holes punched in it.
  - Follow any special loading instructions that came with the paper.

**Parent topic:** [Solving Paper Problems](#)

#### **Related references**

[Paper Jam Problems](#)

[Paper Loading Capacity](#)

[Paper Specifications](#)

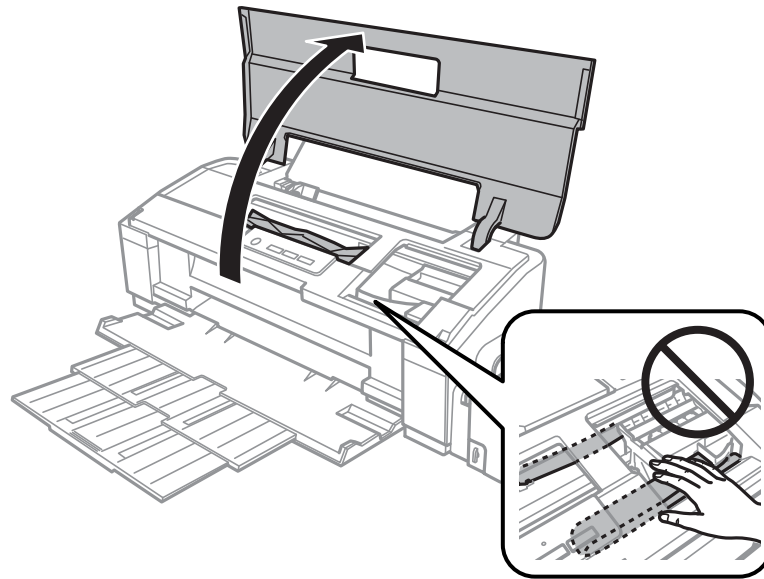
#### **Related topics**

[Loading Paper](#)

### **Paper Jam Problems**

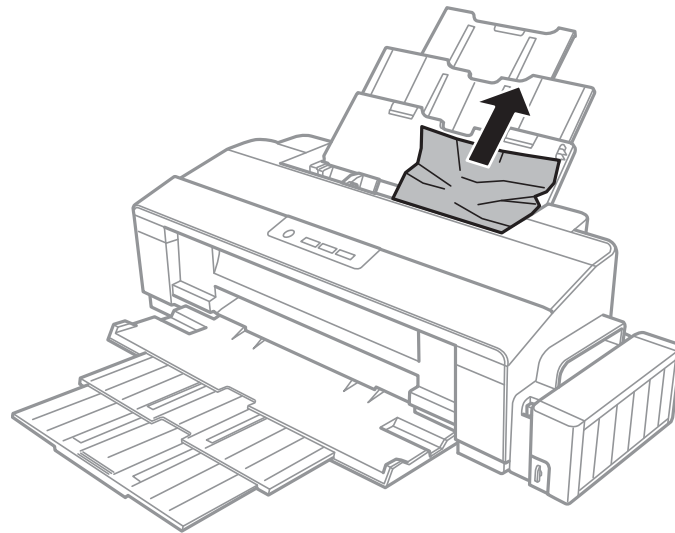
If you have problems with paper jams, try these solutions:

1. Cancel the print job from your computer, if necessary.
2. Open the printer cover and remove the jammed paper and any torn pieces.

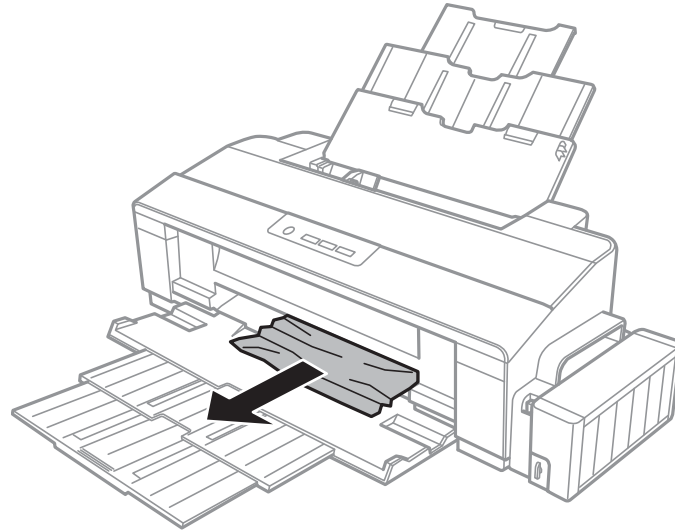



**Note:** Do not touch the flat white cable and ink tubes inside the product.

3. Close the printer cover. Carefully remove any jammed paper from the rear paper feed.



4. Carefully remove any jammed paper from the output tray.




5. Carefully follow all paper loading instructions when you load new paper.
6. Press the  paper button to resume printing.

**Note:** If both the  power light and  paper light are flashing, turn the printer off and back on.

**Parent topic:** [Solving Paper Problems](#)

## Paper Ejection Problems

If you have problems with paper ejecting properly, try these solutions:

- If paper does not eject fully, you may have set the wrong paper size. Cancel printing using the product control panel, then press the  paper button to eject the paper. Remove any paper remaining in the product. Select the correct size when you reprint.
- If paper is wrinkled when it ejects, it may be damp or too thin. Load new paper and be sure to select the correct paper type setting in your printer software when you reprint.

**Parent topic:** [Solving Paper Problems](#)

### Related references

[Paper Jam Problems](#)

[Paper or Media Type Settings](#)

### Related tasks

[Cancelling Printing Using a Product Button](#)

### Related topics

[Loading Paper](#)

## Solving Problems Printing from a Computer

Check these sections if you have problems while printing from your computer.

[Nothing Prints](#)


[Product Icon Does Not Appear in Windows Taskbar](#)



[Printing is Slow](#)

**Parent topic:** [Solving Problems](#)

### Nothing Prints

If you have sent a print job and nothing prints, try these solutions:

- Make sure your product is turned on.
- Make sure any interface cables are connected securely at both ends.
- If you connected your product to a USB hub, make sure it is a first-tier hub. If it still does not print, connect your product directly to your computer instead of the hub.
- Run a product check to see if a test page prints. If the test page prints, check to see if your product software is installed correctly.
- Make sure you set the transportation lock to the unlocked (printing) position: .
- Make sure your system meets the requirements for your operating system. If you are printing a high-resolution image, you may need more than the minimum requirements. If necessary, increase your system's memory.
- In Windows, make sure your product is selected as the default printer.
- In Windows, clear any stalled print jobs from the Windows Spooler:
  - **Windows 8.x:** Navigate to the **Apps** screen and select **Control Panel > Hardware and Sound > Devices and Printers**. Right-click your product name, select **See what's printing**, and select your product name again if necessary. Right-click the stalled print job, click **Cancel**, and click **Yes**.

- **Windows 7:** Click  and select **Devices and Printers**. Right-click your product name, select **See what's printing**, and select your product name again, if necessary. Right-click the stalled print job, click **Cancel**, and click **Yes**.
- **Windows Vista:** Click  and select **Control Panel**. Click **Printer** under **Hardware and Sound**, right-click your product name, and select **Open**. Right click the stalled print job, click **Cancel**, and click **Yes**.
- **Windows XP:** Click **Start** and select **Printers and Faxes**. (Or open the **Control Panel**, select **Printers and Other Hardware**, if necessary, and select **Printers and Faxes**.) Right-click your product name, select **Open**, right-click the stalled print job, click **Cancel**, and click **Yes**.

**Parent topic:** [Solving Problems Printing from a Computer](#)



#### **Related tasks**

[Running a Product Check](#)

[Transporting Your Product](#)

## **Product Icon Does Not Appear in Windows Taskbar**

If you do not see your product icon in the Windows taskbar, first try restarting your computer. If that does not work, try this solution:

1. Do one of the following:
  - **Windows 8.x:** Navigate to the **Apps** screen and select **Control Panel > Hardware and Sound > Devices and Printers**.
  - **Windows 7:** Click  and select **Devices and Printers**.
  - **Windows Vista:** Click , select **Control Panel**, and click **Printer** under **Hardware and Sound**.
  - **Windows XP:** Click **Start** and select **Printers and Faxes**. (Or open the **Control Panel**, select **Printers and Other Hardware**, if necessary, and **Printers and Faxes**.)
2. Right-click your product name, select **Printing Preferences**, and select your product name again if necessary.
3. Click the **Maintenance** tab.
4. Click the **Extended Settings** button.
5. Select **Enable EPSON Status Monitor 3**, then click **OK**.
6. Click the **Monitoring Preferences** button.
7. Click the checkbox for the option that adds the shortcut icon to the taskbar.

8. Click **OK** to close the open program windows.

**Parent topic:** [Solving Problems Printing from a Computer](#)

## Printing is Slow

If printing becomes slow, try these solutions:

- Make sure your system meets the requirements for your operating system. If you are printing a high-resolution image, you may need more than the minimum requirements. If necessary, increase your system's memory.
- If you are using Windows 7, close the **Devices and Printers** window before you print.
- Clear space on your hard drive or run a defragmentation utility to free up existing space.
- Close any programs you are not using when you print.
- If your product is connected to a USB hub, connect it directly to your computer instead.
- If printing becomes slower after printing continuously for a long time, the product may have automatically slowed down to protect the print mechanism from overheating or becoming damaged. Let the product rest with the power on for 30 minutes, then try printing again.

For the fastest printing, select the following settings in your product software:

- Make sure the paper type setting matches the type of paper you loaded.
- Turn on any high speed settings in your product software.
- Select a lower print quality setting.
- **Windows:** Click the **Maintenance** tab, select **Extended Settings**, and select the following settings:
  - **Always Spool RAW Datatype**
  - **Page Rendering Mode**
  - **Print as Bitmap**

**Parent topic:** [Solving Problems Printing from a Computer](#)

### Related references

[Paper or Media Type Settings](#)

[Windows System Requirements](#)

[OS X System Requirements](#)

### Related tasks

[Selecting Basic Print Settings - Windows](#)

[Selecting Extended Settings - Windows](#)

[Selecting Basic Print Settings - OS X](#)  
[Selecting Printing Preferences - OS X](#)

## Solving Page Layout and Content Problems

Check these sections if you have problems with the layout or content of your printed pages.

[Inverted Image](#)  
[Too Many Copies Print](#)  
[Blank Pages Print](#)  
[Incorrect Margins on Printout](#)  
[Border Appears on Borderless Prints](#)  
[Incorrect Characters Print](#)  
[Incorrect Image Size or Position](#)  
[Slanted Printout](#)

**Parent topic:** [Solving Problems](#)

### Inverted Image

If your printed image is inverted unexpectedly, try these solutions:

- Turn off any mirror or inversion settings in your printing application.
- Turn off the **Mirror Image**, **Flip horizontally**, or **Reverse page orientation** settings in your printer software. (This option has different names, depending on your operating system version.)

**Parent topic:** [Solving Page Layout and Content Problems](#)

#### Related tasks

[Selecting Additional Layout and Print Options - Windows](#)  
[Selecting Basic Print Settings - OS X](#)

### Too Many Copies Print

Make sure that the **Copies** setting in your printing program or printer software is not set for multiple copies.

**Parent topic:** [Solving Page Layout and Content Problems](#)

#### Related tasks

[Selecting Basic Print Settings - Windows](#)  
[Selecting Basic Print Settings - OS X](#)

## Blank Pages Print

If blank pages print unexpectedly, try these solutions:

- Make sure you selected the correct paper size settings in your printing program and printer software.
- If a blank page exists in a document you are printing and you want to skip printing it, select the **Skip Blank Page** setting in your printer software.
- Run a print head nozzle check to see if any of the nozzles are clogged. Then clean the print head, if necessary.
- Make sure your product is selected as the printer in your printing program.
- You may need to refill the ink. Visually check the ink levels.

**Parent topic:** [Solving Page Layout and Content Problems](#)

### Related concepts

[Print Head Nozzle Check](#)

[Print Head Cleaning](#)

### Related tasks

[Selecting Basic Print Settings - Windows](#)

[Selecting Extended Settings - Windows](#)

[Selecting Basic Print Settings - OS X](#)

[Selecting Printing Preferences - OS X](#)

## Incorrect Margins on Printout

If your printed page has incorrect margins, try these solutions:

- Make sure you selected the correct paper size settings in your printing program and printer software.
- Make sure you selected the correct margins for your paper size in your printing program.
- Make sure your paper is positioned correctly for feeding into the printer.

You can use the preview option in your printer software to check your margins before you print.

**Parent topic:** [Solving Page Layout and Content Problems](#)

### Related tasks

[Loading Paper in the Printer](#)

[Selecting Basic Print Settings - Windows](#)

[Selecting Basic Print Settings - OS X](#)



## Border Appears on Borderless Prints

If you see a border on borderless prints, try these solutions:

**Note:** Borderless printing is not available on the L1300.

- Make sure you are printing on a compatible borderless paper type and size.

**Note:** Do not select a custom paper size for borderless prints.

- **Windows:** Make sure you selected the **Borderless** setting in your printer software.
- **OS X:** Make sure you selected the **Borderless** checkbox or a paper size with a **Borderless** option in your printer software.
- Adjust the **Expansion** setting to adjust the amount of image expansion on the edges of borderless prints.
- Make sure the image size and the paper size are set correctly; if the image is small, the enlargement may not be enough to cover the paper.

**Parent topic:** [Solving Page Layout and Content Problems](#)

### Related references

[Borderless Paper Type Compatibility](#)

### Related tasks

[Selecting Basic Print Settings - Windows](#)

[Selecting Additional Layout and Print Options - Windows](#)



[Selecting Basic Print Settings - OS X](#)

[Selecting Page Setup Settings - OS X](#)

## Incorrect Characters Print

If incorrect characters appear in your prints, try these solutions before reprinting:

- Make sure any cables are securely connected at both ends.
- In Windows, delete all print jobs from the Windows Spooler:
  - **Windows 8.x:** Navigate to the **Apps** screen and select **Control Panel > Hardware and Sound > Devices and Printers**. Right-click your product name, select **See what's printing**, and select your product name again, if necessary. Right-click the stalled print job, click **Cancel**, and click **Yes**.

- **Windows 7:** Click  and select **Devices and Printers**. Right-click your product name, select **See what's printing**, and select your product name again, if necessary. Right-click the stalled print job, click **Cancel**, and click **Yes**.
- **Windows Vista:** Click  and select **Control Panel**. Click **Printer** under **Hardware and Sound**, right-click your product name, and select **Open**. Right click the stalled print job, click **Cancel**, and click **Yes**.
- **Windows XP:** Click **Start** and select **Printers and Faxes**. (Or open the **Control Panel**, select **Printers and Other Hardware** if necessary, and select **Printers and Faxes**.) Right-click your product name, select **Open**, right-click the stalled print job, click **Cancel**, and click **Yes**.
- If your product is connected to a USB hub, connect it directly to your computer instead.
- If incorrect characters still appear in your prints, try connecting your product using a different cable.

**Parent topic:** [Solving Page Layout and Content Problems](#)

## Incorrect Image Size or Position

If your printed image is the wrong size or in the wrong position, try these solutions:

- Make sure you selected the correct paper size and layout settings in your printing program and printer software.
- Make sure your paper is positioned correctly for feeding into the printer.

You can use the preview option in your printer software to check your margins before you print.

**Parent topic:** [Solving Page Layout and Content Problems](#)

### Related tasks

[Selecting Basic Print Settings - Windows](#)

[Selecting Additional Layout and Print Options - Windows](#)

[Selecting Basic Print Settings - OS X](#)

[Selecting Print Layout Options - OS X](#)

### Related topics

[Loading Paper](#)

## Slanted Printout

If your printouts are slanted, try these solutions:

- Slide the edge guide against the edge of the paper.
- Select a higher print quality setting in your printer software.

- Turn off any high speed settings in your product software.
- Align the print head.
- Make sure the product is not printing while tilted or at an angle.

**Parent topic:** [Solving Page Layout and Content Problems](#)

**Related concepts**

[Print Head Alignment](#)

**Related tasks**

[Loading Paper in the Printer](#)

[Selecting Basic Print Settings - Windows](#)

[Selecting Basic Print Settings - OS X](#)

## Solving Print Quality Problems

Check these sections if your printouts have problems with print quality, but your image looks fine on your computer screen.

[White or Dark Lines in Printout](#)

[Blurry or Smearred Printout](#)

[Faint Printout or Printout Has Gaps](#)


[Grainy Printout](#)

[Incorrect Colors](#)

**Parent topic:** [Solving Problems](#)

### White or Dark Lines in Printout

If you notice white or dark lines in your prints (also called banding), try these solutions before you reprint:

- Run a nozzle check to see if any of the print head nozzles are clogged. Then clean the print head, if necessary.
- Make sure the paper type setting matches the type of paper you loaded.
- Make sure you loaded the printable side of the paper correctly for your product.
- Turn off any high speed settings in your product software.
- Align the print head.
- Make sure you set the transportation lock to the unlocked (printing) position: .
- You may need to refill the ink. Visually check the ink levels.

- If you have not used the product for a long time, run the Power Ink Flushing utility.

**Parent topic:** [Solving Print Quality Problems](#)

**Related concepts**

[Print Head Nozzle Check](#)

[Print Head Cleaning](#)

[Print Head Alignment](#)

[Ink Tube Flushing](#)

**Related references**

[Paper or Media Type Settings](#)

**Related tasks**

[Loading Paper in the Printer](#)

[Selecting Additional Layout and Print Options - Windows](#)

[Selecting Printing Preferences - OS X](#)

[Transporting Your Product](#)

**Related topics**

[Refilling Ink](#)

## Blurry or Smearred Printout

If your printouts are blurry or smearred, try these solutions:

- Make sure your paper is not damp, curled, old, or loaded incorrectly in your product.
- Use a support sheet with special paper, or load special paper one sheet at a time.
- Make sure your paper meets the specifications for your product.
- Use Epson papers to ensure proper saturation and absorption of genuine Epson inks.
- Make sure the paper type setting in your product software matches the type of paper you loaded.
- Make sure you loaded the printable side of the paper correctly for your product.
- If you are printing on thick paper or envelopes, make sure you select the appropriate settings.
- Remove each sheet from the output tray as it is printed.
- Avoid handling printouts on glossy paper right after printing to allow the ink to set.
- Turn off any high speed settings in your product software.

- If you print on both sides of a sheet of paper, smudges may appear on the reverse side of heavily saturated or dark images. If one side of a sheet will contain a lighter image or text, print that side first.
- Run a nozzle check to see if any of the print head nozzles are clogged. Then clean the print head, if necessary.
- Align the print head.
- Clean the paper path.
- If you have not used the product for a long time, run the Power Ink Flushing utility.

**Note:** Your product will not operate properly while tilted at an angle. Place it on a flat, stable surface that extends beyond the base of the product in all directions.

**Parent topic:** [Solving Print Quality Problems](#)

**Related concepts**

[Print Head Nozzle Check](#)

[Print Head Cleaning](#)

[Print Head Alignment](#)

[Ink Tube Flushing](#)

**Related references**

[Available Epson Papers](#)

[Paper Specifications](#)

[Paper or Media Type Settings](#)

**Related tasks**

[Selecting Basic Print Settings - Windows](#)

[Selecting Basic Print Settings - OS X](#)

[Selecting Extended Settings - Windows](#)

[Selecting Printing Preferences - OS X](#)

[Transporting Your Product](#)


[Cleaning the Paper Path](#)

**Related topics**

[Loading Paper](#)

## Faint Printout or Printout Has Gaps

If your printouts are faint or have gaps, try these solutions:

- Run a nozzle check to see if any of the print head nozzles are clogged. Then clean the print head, if necessary.
- The ink levels may be low. Visually check the ink levels.
- Make sure the paper type setting matches the type of paper you loaded.
- Make sure your paper is not damp, curled, old, or loaded incorrectly in your product.
- Make sure you set the transportation lock to the unlocked (printing) position: .
- Align the print head.
- Clean the paper path.

**Parent topic:** [Solving Print Quality Problems](#)

### Related concepts

[Print Head Nozzle Check](#)

[Print Head Cleaning](#)

[Print Head Alignment](#)

### Related references

[Paper or Media Type Settings](#)

### Related tasks

[Selecting Basic Print Settings - Windows](#)

[Selecting Basic Print Settings - OS X](#)

### Related topics

[Loading Paper](#)

[Refilling Ink](#)

## Grainy Printout

If your printouts are grainy, try these solutions:

- Make sure you loaded the printable side of the paper correctly for your product.
- Select a higher print quality setting and turn off any high speed settings in your product software.
- Run a nozzle check to see if any of the print head nozzles are clogged. Then clean the print head, if necessary.

- Align the print head.
- You may need to increase the image resolution or print a smaller size; see your software documentation.
- If you enlarged the image in an image-editing program, you need to increase the resolution setting to retain a high image quality. Increase the resolution by the same amount you increased the image size. For example, if the resolution is 300 dpi (dots per inch) and you will double the image size later, change the resolution setting to 600 dpi.

**Note:** Higher resolution settings result in larger file sizes, which take longer to process and print. Consider the limitations of your computer system when selecting a resolution, and select the lowest possible resolution that produces acceptable quality to keep file sizes manageable.

**Parent topic:** [Solving Print Quality Problems](#)

#### **Related concepts**

[Print Head Nozzle Check](#)

[Print Head Cleaning](#)

[Print Head Alignment](#)

#### **Related tasks**

[Loading Paper in the Printer](#)

[Selecting Basic Print Settings - Windows](#)


[Selecting Additional Layout and Print Options - Windows](#)

[Selecting Basic Print Settings - OS X](#)

[Selecting Printing Preferences - OS X](#)

## **Incorrect Colors**

If your printouts have incorrect colors, try these solutions:

- Make sure the **Black/Grayscale** or **Grayscale** setting is not selected in your printer software.
- Run a nozzle check to see if any of the print head nozzles are clogged. Then clean the print head, if necessary.
- Make sure you set the transportation lock to the unlocked (printing) position: .
- The ink levels may be low and you may need to refill the ink. Visually check the ink levels. Also make sure you filled the tanks with the correct colors of ink.

- Your printed colors can never exactly match your on-screen colors. However, you can use a color management system to get as close as possible. Try using the color management options in your printer software.
- For best results, use genuine Epson ink and paper.
- If you have not used the product for a long time, run the Power Ink Flushing utility.

**Parent topic:** [Solving Print Quality Problems](#)

**Related concepts**

[Print Head Nozzle Check](#)

[Print Head Cleaning](#)

**Related references**

[Available Epson Papers](#)

**Related tasks**

[Selecting Basic Print Settings - Windows](#)

[Selecting Additional Layout and Print Options - Windows](#)

[Selecting Basic Print Settings - OS X](#)

[Managing Color - OS X](#)

**Related topics**

[Refilling Ink](#)

## When to Uninstall Your Product Software

If you have a problem that requires you to uninstall and re-install your software, follow the instructions for your operating system.

[Uninstalling Printing Software - Windows](#)

[Uninstalling Product Software - OS X](#)

**Parent topic:** [Solving Problems](#)

## Uninstalling Printing Software - Windows

You can uninstall and then re-install your printer software to solve certain problems.

1. Turn off the product.
2. Disconnect any interface cables.



3. Do one of the following:

- **Windows 8.x:** Navigate to the **Apps** screen and select **Control Panel > Programs > Programs and Features**. Select the uninstall option for your Epson product, then select **Uninstall/Change**.

**Note:** If you see a **User Account Control** window, click **Yes** or **Continue**.

In the next window, select your product, if necessary, and click **OK**. Then follow any on-screen instructions.

- **Windows (other versions):** Click  or **Start**, and select **All Programs** or **Programs**. Select **Epson**, select your product, then click **EPSON Printer Software Uninstall**.

**Note:** If you see a **User Account Control** window, click **Yes** or **Continue**.

In the next window, select your product, if necessary, and click **OK**. Then follow any on-screen instructions.

4. Restart your computer, then see the *Start Here* sheet to re-install your software.

**Note:** If you find that re-installing your product software does not solve a problem, contact Epson.

**Parent topic:** [When to Uninstall Your Product Software](#)

## Uninstalling Product Software - OS X

In most cases, you do not need to uninstall your product software before re-installing it. However, you can download the Uninstaller utility from the Epson support website to uninstall your product software as described here.

**Note:** If you find that re-installing your product software does not solve a problem, contact Epson.

1. To download the Uninstaller utility, visit the Epson download site at [global.latin.epson.com/Soport](http://global.latin.epson.com/Soport).
2. Select your product category.
3. Select your product.
4. Click **Controladores y Software**, locate the Uninstaller utility, and click the **Descarga** button.
5. Run the file you downloaded.
6. Double-click the **Uninstaller** icon.

7. Select the checkbox for each software program you want to uninstall.
8. Click **Uninstall**.
9. Follow the on-screen instructions to uninstall the software.
10. To reinstall your product software, see the *Start Here* sheet for instructions.

**Note:** If you uninstall the printer driver and your product name remains in the **Print & Fax, Print & Scan,** or **Printers & Scanners** window, select your product name and click the – (remove) icon to remove it.

**Parent topic:** [When to Uninstall Your Product Software](#)

## Where to Get Help

If you need additional help with your Epson product, contact Epson.

Epson provides these technical support services:

### Internet Support

Visit Epson's support website at [global.latin.epson.com/Soporte](http://global.latin.epson.com/Soporte) for solutions to common problems. You can download drivers and documentation, get FAQs and troubleshooting advice, or e-mail Epson with your questions. (Website available in Spanish and Portuguese only.)

### Speak to a Support Representative

Before you call Epson for support, please have the following information ready:

- Product name
- Product serial number (located on a label on the product)
- Proof of purchase (such as a store receipt) and date of purchase
- Computer configuration
- Description of the problem

Then call:

Country	Telephone
Argentina	(54 11) 5167-0300 0800-288-37766
Bolivia*	800-100-116

<b>Country</b>	<b>Telephone</b>
Brazil	State capitals and metropolitan areas: 4003-0376 Other areas: 0800-880-0094
Chile	(56 2) 2484-3400
Colombia	Bogota: (57 1) 523-5000 Other cities: 018000-915235
Costa Rica	800-377-6627
Dominican Republic*	1-888-760-0068
Ecuador*	1-800-000-044
El Salvador*	800-6570
Guatemala*	1-800-835-0358
Honduras**	800-0122 Code: 8320
Mexico	Mexico City: (52 55) 1323-2052 Other cities: 01-800-087-1080
Nicaragua*	00-1-800-226-0368
Panama*	00-800-052-1376
Paraguay	009-800-521-0019
Peru	Lima: (51 1) 418-0210 Other cities: 0800-10126
Uruguay	00040-5210067
Venezuela	(58 212) 240-1111

\* Contact your local phone company to call this toll free number from a mobile phone.

\*\* Dial first 7 digits, wait for a message, then enter code.

If your country does not appear in the list, contact the sales office in the nearest country. Toll or long distance charges may apply.

**Purchase Supplies and Accessories**

You can purchase genuine Epson ink and paper from an Epson authorized reseller. To find the nearest reseller, visit [global.latin.epson.com](http://global.latin.epson.com) or call your nearest Epson sales office (website available in Spanish and Portuguese only).

**Parent topic:** [Solving Problems](#)

---

# Technical Specifications

These sections list the technical specifications for your product.

[Windows System Requirements](#)

[OS X System Requirements](#)

[Printing Specifications](#)

[Paper Specifications](#)

[Printable Area Specifications](#)

[Ink Specifications](#)

[Dimension Specifications](#)

[Electrical Specifications](#)

[Environmental Specifications](#)

[Interface Specifications](#)

## Windows System Requirements

To use your product and its software, your computer should use one of these Microsoft operating systems:

- Windows 8.x
- Windows 7
- Windows Vista
- Windows XP Professional x64 Edition
- Windows XP SP3

**Note:** Visit Epson's support website at [global.latin.epson.com/Soporte](http://global.latin.epson.com/Soporte) for the latest in compatibility and drivers for your product (website available in Spanish and Portuguese only).

**Parent topic:** [Technical Specifications](#)

## OS X System Requirements

To use your product and its software, your Mac should use one of these operating systems:

- OS X 10.9.x
- OS X 10.8.x

- OS X 10.7.x
- OS X 10.6.x
- OS X 10.5.8

**Note:** Visit Epson's support website at [global.latin.epson.com/Soporte](http://global.latin.epson.com/Soporte) for the latest in compatibility and drivers for your product (website available in Spanish and Portuguese only).

**Parent topic:** [Technical Specifications](#)

## Printing Specifications

<b>Paper path</b>	Rear paper feed, top entry
<b>Capacity</b>	Paper stack thickness of 0.5 inches (12 mm) Approximately 100 sheets at 17 lb (64 g/m <sup>2</sup> ) to 24 lb (90 g/m <sup>2</sup> )

**Parent topic:** [Technical Specifications](#)

## Paper Specifications

Use paper under normal conditions:

- Temperature: 50 to 95 °F (10 to 35 °C)
- Humidity: 20 to 80% RH

**Note:** Since the quality of any particular brand or type of paper may be changed by the manufacturer at any time, Epson cannot guarantee the quality of any non-Epson brand or type of paper. Always test a sample of paper stock before purchasing large quantities or printing large jobs.

Poor quality paper may reduce print quality and cause paper jams or other problems. If you encounter problems, switch to a higher grade of paper.

## Single-sheets

<b>Size</b>	13 x 19 inches (330 x 483 mm) A3 (11.7 x 16.5 inches [297 x 420 mm]) 11 x 17 inches (279 x 432 mm) A4 (8.3 x 11.7 inches [210 x 297 mm]) A6 (4.1 x 5.8 inches [105 x 148 mm]) Letter (8.5 x 11 inches [216 x 279 mm]) Legal (8.5 x 14 inches [216 x 357 mm]) 4 x 6 inches (102 x 152 mm) 5 x 7 inches (127 x 178 mm) 8 x 10 inches (203 x 254 mm) 3.5 x 5 inches (89 x 127 mm) 16:9 wide (4 x 7.1 inches [102 x 181 mm]) Half Letter (5.5 x 8.5 inches [140 x 279 mm])
<b>Paper types</b>	Plain paper and paper distributed by Epson
<b>Thickness</b>	0.003 to 0.004 inch (0.08 to 0.11 mm)
<b>Weight</b>	17 lb (64 g/m <sup>2</sup> ) to 24 lb (90 g/m <sup>2</sup> )

## Envelopes

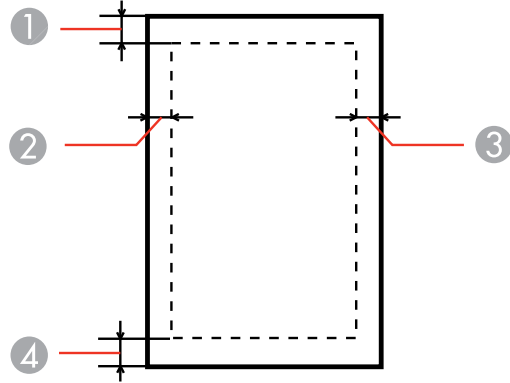
<b>Size</b>	No. 10 (4.1 x 9.5 inches [105 x 241 mm])
<b>Paper types</b>	Plain bond paper
<b>Weight</b>	20 lb (75 g/m <sup>2</sup> ) to 24 lb (90 g/m <sup>2</sup> )

Parent topic: [Technical Specifications](#)

## Printable Area Specifications

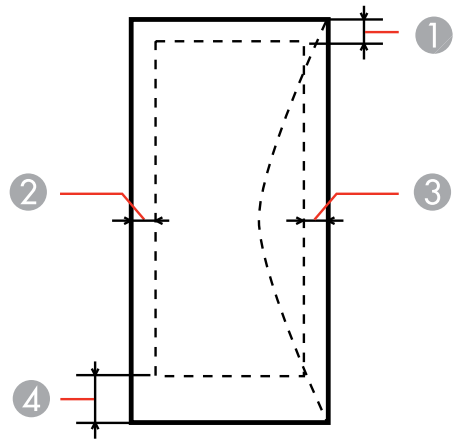
**Note:** When printing borderless, quality may decline in the expanded printable area (L1800).

### Single sheets



- 1 Top: 0.12 inch (3 mm) minimum
- 2 Left: 0.12 inch (3 mm) minimum
- 3 Right: 0.12 inch (3 mm) minimum
- 4 Bottom: 0.12 inch (3 mm) minimum

### Envelopes





- 1 Left: 0.12 inch (3 mm) minimum
- 2 Bottom: 0.20 inch (5 mm) minimum
- 3 Top: 0.20 inch (5 mm) minimum
- 4 Right: 0.78 inch (20 mm) minimum

Parent topic: [Technical Specifications](#)

## Ink Specifications

**Note:** This product was originally designed to work with genuine Epson inks. Your product may not function properly if you use other types of ink and may affect Epson's warranty.

The included ink bottles must be used for printer setup and are not for resale. The printer ships with full ink bottles and part of the ink from the first bottles is used to charge the print head. Yields vary considerably based on images printed, print settings, paper type, frequency of use, and temperature. For print quality, a small amount of ink remains in the tank after the "refill ink" indicator comes on.

The ink bottles that came with your printer have a lower yield due to the ink charging process. This process is carried out the first time you turn on the printer and guarantees better performance. Do not load paper before refilling the ink tanks.

<b>Color</b>	<b>L1300:</b> Cyan, Magenta, Yellow, Black <b>L1800:</b> Cyan, Magenta, Yellow, Black, Light Cyan, Light Magenta
<b>Ink life</b>	For best results, use up ink within 6 months of removing the seal from an ink bottle
<b>Temperature</b>	Storage: -4 to 104 °F (-20 to 40 °C) 1 month at 104 °F (40 °C) Ink freezes at 3.2 °F (-16 °C) Ink thaws and is usable after 3 hours at 77 °F (25 °C)

Parent topic: [Technical Specifications](#)

## Dimension Specifications

<b>Height</b>	Stored: 8.5 inches (215 mm) Printing: 16.3 inches (415 mm)
<b>Width</b>	Stored: 27.8 inches (705 mm) Printing: 27.8 inches (705 mm)
<b>Depth</b>	Stored: 12.7 inches (322 mm) Printing: 31.4 inches (798 mm)
<b>Weight</b> (without ink and power cord)	<b>L1300:</b> 26.9 lb (12.2 kg) <b>L1800:</b> 27.6 lb (12.5 kg)

Parent topic: [Technical Specifications](#)

## Electrical Specifications

<b>Power supply rating</b>	100 to 120 V 220 to 240 V
<b>Input voltage range</b>	100 to 120 V model: 90 to 132 V 220 to 240 V model: 198 to 264 V
<b>Rated frequency range</b>	50 to 60 Hz
<b>Input frequency range</b>	49.5 to 60.5 Hz
<b>Rated current</b>	<b>L1300:</b> 100 to 120 V model: 0.7 A 220 to 240 V model: 0.4 A <b>L1800:</b> 100 to 120 V model: 0.6 A 220 to 240 V model: 0.3 A

**Power consumption**

(100 to 120 V model)

**L1300:**

Printing: 19 W (ISO/IEC24712)

Ready mode: 6.4 W

Sleep mode: 1.4 W

Power off mode: 0.4 W

**L1800:**

Printing: 15 W (ISO/IEC24712)

Ready mode: 6.3 W

Sleep mode: 2.0 W

Power off mode: 0.4 W

**Power consumption**

(200 to 240 V model)

**L1300:**

Printing: 20 W (ISO/IEC24712)

Ready mode: 6.9 W

Sleep mode: 1.6 W

Power off mode: 0.4 W

**L1800:**

Printing: 16 W (ISO/IEC24712)

Ready mode: 6.8 W

Sleep mode: 2.2 W

Power off mode: 0.4 W

Parent topic: [Technical Specifications](#)

## Environmental Specifications

**Temperature**

Operating: 50 to 95 °F (10 to 35 °C)

Storage: -4 to 104 °F (-20 to 40 °C)

1 month at 104 °F (40 °C)

**Humidity** Operating: 20 to 80% RH  
(non-condensing) Storage: 5 to 85% RH

**Parent topic:** [Technical Specifications](#)

## Interface Specifications

**Interface type** Based on Universal Serial Bus Specifications Revision 2.0  
**Electrical standard** High-Speed USB Device  
**Connector type** One Type B port

**Parent topic:** [Technical Specifications](#)

---

## Notices

Check these sections for important notices about your product.

[Trademarks](#)

[Copyright Notice](#)

## Trademarks

EPSON® is a registered trademark and EPSON Exceed Your Vision is a registered logomark of Seiko Epson Corporation.

Mac and OS X are trademarks of Apple Inc., registered in the U.S. and other countries.

General Notice: Other product names used herein are for identification purposes only and may be trademarks of their respective owners. Epson disclaims any and all rights in those marks.



Parent topic: [Notices](#)

## Copyright Notice

All rights reserved. No part of this publication may be reproduced, stored in a retrieval system, or transmitted in any form or by any means, electronic, mechanical, photocopying, recording, or otherwise, without the prior written permission of Seiko Epson Corporation. The information contained herein is designed only for use with this Epson product. Epson is not responsible for any use of this information as applied to other products.

Neither Seiko Epson Corporation nor its affiliates shall be liable to the purchaser of this product or third parties for damages, losses, costs, or expenses incurred by purchaser or third parties as a result of: accident, misuse, or abuse of this product or unauthorized modifications, repairs, or alterations to this product, or (excluding the U.S.) failure to strictly comply with Seiko Epson Corporation's operating and maintenance instructions.

Seiko Epson Corporation shall not be liable for any damages or problems arising from the use of any options or any consumable products other than those designated as Original Epson Products or Epson Approved Products by Seiko Epson Corporation.

Seiko Epson Corporation shall not be held liable for any damage resulting from electromagnetic interference that occurs from the use of any interface cables other than those designated as Epson approved Products by Seiko Epson Corporation.

This information is subject to change without notice.

[A Note Concerning Responsible Use of Copyrighted Materials](#)

[Default Delay Times for Power Management for Epson Products](#)

[Copyright Attribution](#)

**Parent topic:** [Notices](#)

## **A Note Concerning Responsible Use of Copyrighted Materials**

Epson encourages each user to be responsible and respectful of the copyright laws when using any Epson product. While some countries' laws permit limited copying or reuse of copyrighted material in certain circumstances, those circumstances may not be as broad as some people assume. Contact your legal advisor for any questions regarding copyright law.

**Parent topic:** [Copyright Notice](#)

## **Default Delay Times for Power Management for Epson Products**

This product will enter sleep mode after a period of nonuse. This is to ensure that the product meets Energy Star standards of energy efficiency. More energy savings can be achieved by setting the time to sleep to a shorter interval.

**Parent topic:** [Copyright Notice](#)

## **Copyright Attribution**

© 2014 Epson America, Inc.

5/14

CPD-40326R1

**Parent topic:** [Copyright Notice](#)