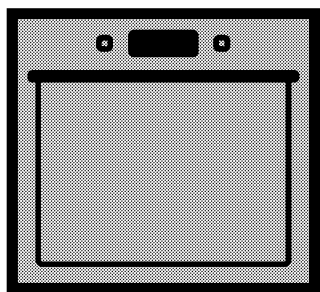


Built-in Oven

User manual



BIM16100DXOS

EN | IT

285.4464.52/R.AA/12.06.2018

Please read this user manual first!

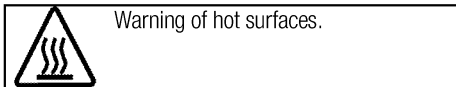
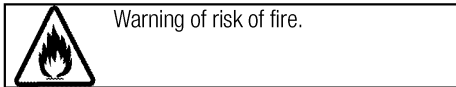
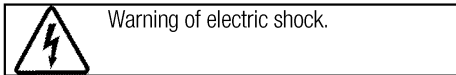
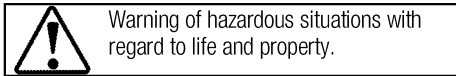
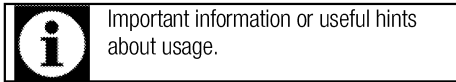
Dear Customer,

Thank you for purchasing this Beko product. We hope that you get the best results from your product which has been manufactured with high quality and state-of-the-art technology. Therefore, please read this entire user manual and all other accompanying documents carefully before using the product and keep it as a reference for future use. If you handover the product to someone else, give the user manual as well. Follow all warnings and information in the user manual.

Remember that this user manual is also applicable for several other models. Differences between models will be identified in the manual.

Explanation of symbols

Throughout this user manual the following symbols are used:



Arçelik A.Ş.

Karaağaç caddesi No:2-6
34445 Sıtlıçe/İstanbul/TURKEY

Made in TURKEY



This product was manufactured using the latest technology in environmentally friendly conditions.

TABLE OF CONTENTS

1 Important instructions and warnings for safety and environment 4

General safety	4
Electrical safety	4
Product safety	5
Intended use	7
Safety for children.....	7
Disposing of the old product.....	8
Package information	8

2 General information 9

Overview	9
Package contents	10
Technical specifications	11

3 Installation 12

Before installation	12
Installation and connection	14
Future Transportation.....	16

4 Preparation 17

Tips for saving energy	17
Initial use.....	17
First cleaning of the appliance	17
Initial heating.....	17

5 How to operate the oven 18

General information on baking, roasting and grilling	18
How to operate the electric oven	18
Operating modes.....	19
Using the oven clock	19
Cooking times table.....	20
How to operate the grill.....	21
Cooking times table for grilling.....	21

6 Maintenance and care 22

General information.....	22
Cleaning the control panel	22
Cleaning the oven	22
Removing the oven door	23
Removing the door inner glass	23
Replacing the oven lamp.....	24

7 Troubleshooting 25

1 Important instructions and warnings for safety and environment

This section contains safety instructions that will help protect from risk of personal injury or property damage. Failure to follow these instructions shall void any warranty.

General safety

- This appliance can be used by children aged from 8 years and above and persons with reduced physical, sensory or mental capabilities or lack of experience and knowledge if they have been given supervision or instruction concerning use of the appliance in a safe way and understand the hazards involved.

Children shall not play with the appliance. Cleaning and user maintenance shall not be made by children without supervision.

- The appliance is not to be used by persons (including children) with reduced physical, sensory or mental capabilities, or lack of experience and knowledge, unless they have been given supervision or instruction. Children should be supervised and ensure they do not play with the appliance
- If the product is handed over to someone else for personal use or second-hand use purposes, the

user manual, product labels and other relevant documents and parts should be also given.

- Installation and repair procedures must always be performed by Authorised Service Agents. The manufacturer shall not be held responsible for damages arising from procedures carried out by unauthorised persons which may also void the warranty. Before installation, read the instructions carefully.
- Do not operate the product if it is defective or has any visible damage.
- Ensure that the product function knobs are switched off after every use.

Electrical safety

- If the product has a failure, it should not be operated unless it is repaired by an Authorised Service Agent. There is the risk of electric shock!
- Only connect the product to a grounded outlet/line with the voltage and protection as specified in the “Technical specifications”. Have the grounding installation made by a qualified electrician while using the product with or without a

transformer. Our company shall not be liable for any problems arising due to the product not being earthed in accordance with the local regulations.

- Never wash the product by spreading or pouring water onto it! There is the risk of electric shock!
- The product must be disconnected during installation, maintenance, cleaning and repairing procedures.
- If the power connection cable for the product is damaged, it must be replaced by the manufacturer, its service agent or similarly qualified persons in order to avoid a hazard.
- The appliance must be installed so that it can be completely disconnected from the mains supply. The separation must be provided by a switch built into the fixed electrical installation, according to construction regulations.
- Rear surface of the oven gets hot when it is in use. Make sure that the electrical connection does not contact the rear surface; otherwise, connections can get damaged.
- Do not trap the mains cable between the oven door and frame and do not route it over hot surfaces. Otherwise, cable

insulation may melt and cause fire as a result of short circuit.

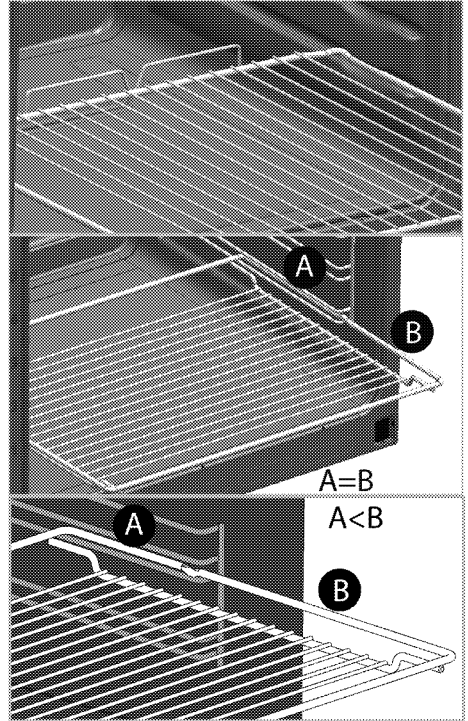
- Any work on electrical equipment and systems should only be carried out by authorised and qualified persons.
- In case of any damage, switch off the product and disconnect it from the mains. To do this, turn off the fuse at home.
- Make sure that fuse rating is compatible with the product.

Product safety

- **WARNING:** The appliance and its accessible parts become hot during use. Care should be taken to avoid touching heating elements. Children less than 8 years of age shall be kept away unless continuously supervised.
- Never use the product when your judgment or coordination is impaired by the use of alcohol and/or drugs.
- Be careful when using alcoholic drinks in your dishes. Alcohol evaporates at high temperatures and may cause fire since it can ignite when it comes into contact with hot surfaces.
- **Food Poisoning Hazard:** Do not let food sit in oven for more than 1 hour before or after cooking. Doing so can result in food poisoning or sickness.

- Do not place any flammable materials close to the product as the sides may become hot during use.
- During use the appliances becomes hot. Care should be taken to avoid touching heating elements inside the oven.
- Keep all ventilation slots clear of obstructions.
- Do not heat closed tins and glass jars in the oven. The pressure that would build-up in the tin/jar may cause it to burst.
- Do not place baking trays, dishes or aluminium foil directly onto the bottom of the oven. The heat accumulation might damage the bottom of the oven.
- Do not use harsh abrasive cleaners or sharp metal scrapers to clean the oven door glass since they can scratch the surface, which may result in shattering of the glass.
- Do not use steam cleaners to clean the appliance as this may cause an electric shock.
- (Varies depending on the product model.)
Placing the wire shelf and tray onto the wire racks properly
It is important to place the wire shelf and/or tray onto the rack properly. Slide the wire shelf or tray between 2 rails and make

sure that it is balanced before placing food on it (Please see the following figure).



- Do not use the product if the front door glass removed or cracked.
- Do not use the oven handle to hang towels for drying. Do not hang up towel, gloves, or similar textile products when the grill function is at open door.
- Always use heat resistant oven gloves when putting in or removing dishes into/from the hot oven.
- Place the baking paper into the cooking pot or on to the oven accessory (tray, wire grill etc) together with the food and then

insert all into the preheated oven. Remove the excess parts of the baking paper overflowing from the accessory or the pot in order to prevent the risk of touching the oven's heating elements. Never use the baking paper in an operating temperature higher than the indicated value for the baking paper. Do not place the baking paper directly on the base of the oven.

- **WARNING:** Ensure that the appliance is switched off before replacing the lamp to avoid the possibility of electric shock.
- The appliance must not be installed behind a decorative door in order to avoid overheating.

Prevention against possible fire risk!

- Ensure all electrical connections are secure and tight to prevent risk of arcing.
- Do not use damaged cables or extension cables.
- Ensure liquid or moisture is not accessible to the electrical connection point.

Intended use

- This product is designed for domestic use. Commercial use will void the guarantee.
- This appliance is for cooking purposes only. It must not be used for other purposes, for example room heating.

- This product should not be used for warming the plates under the grill, drying towels, dish cloths etc. by hanging them on the oven door handles. This product should also not be used for room heating purposes.
- The manufacturer shall not be liable for any damage caused by improper use or handling errors.
- The oven can be used for defrosting, baking, roasting and grilling food.

Safety for children

- **WARNING:** Accessible parts may become hot during use. Young children should be kept away.
- The packaging materials will be dangerous for children. Keep the packaging materials away from children. Please dispose of all parts of the packaging according to environmental standards.
- Electrical products are dangerous to children. Keep children away from the product when it is operating and do not allow them to play with the product.
- Do not place any items above the appliance that children may reach for.
- When the door is open, do not load any heavy object on it and do not allow children to sit on it. It may overturn or door hinges may get damaged.

Disposing of the old product

Compliance with the WEEE Directive and Disposing of the Waste Product:



This product complies with EU WEEE Directive (2012/19/EU). This product bears a classification symbol for waste electrical and electronic equipment (WEEE).

This product has been manufactured with high quality parts and materials which can be reused and are suitable for recycling. Do not dispose of the waste product with normal domestic and other wastes at the end of its service life. Take it to the collection center for the recycling of electrical and electronic equipment.

Please consult your local authorities to learn about these collection centers.

Compliance with RoHS Directive:

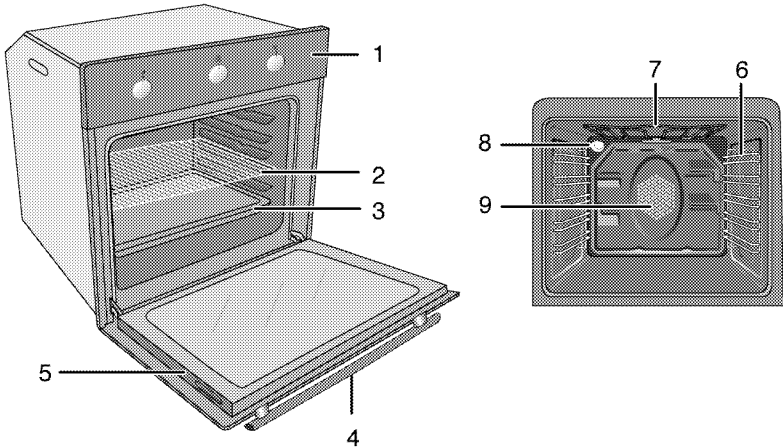
The product you have purchased complies with EU RoHS Directive (2011/65/EU). It does not contain harmful and prohibited materials specified in the Directive.

Package information

- Packaging materials of the product are manufactured from recyclable materials in accordance with our National Environment Regulations. Do not dispose of the packaging materials together with the domestic or other wastes. Take them to the packaging material collection points designated by the local authorities.

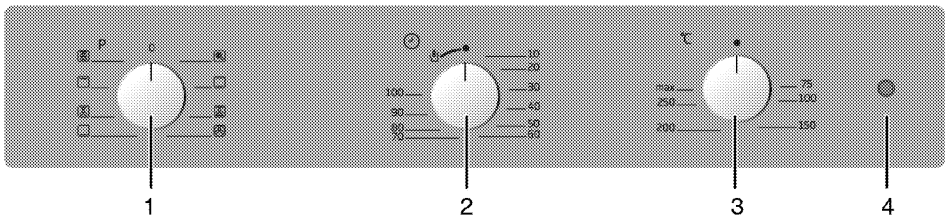
2 General information

Overview



- 1 Control panel
- 2 Wire shelf
- 3 Tray
- 4 Handle
- 5 Door

- 6 Shelf positions
- 7 Top heating element
- 8 Lamp
- 9 Fan motor (behind steel plate)



- 1 Function knob
- 2 Mechanical timer
- 3 Thermostat knob
- 4 Thermostat lamp

Package contents

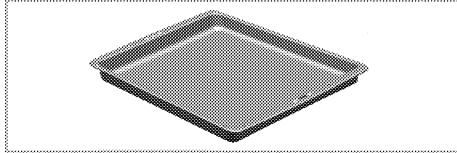


Accessories supplied can vary depending on the product model. Not every accessory described in the user manual may exist on your product.

1. **User manual**

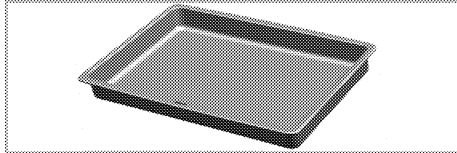
2. **Oven tray**

Used for pastries, frozen foods and big roasts.



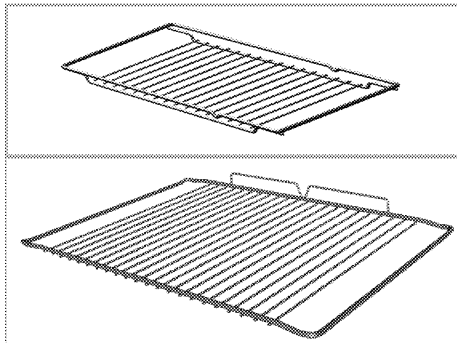
3. **Deep tray**

Used for pastries, large roasts, juicy dishes, and for collecting the fat while grilling.



4. **Wire Shelf**

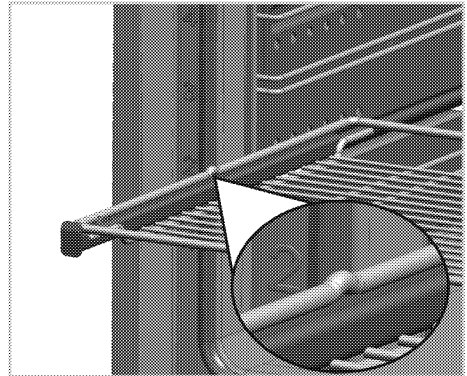
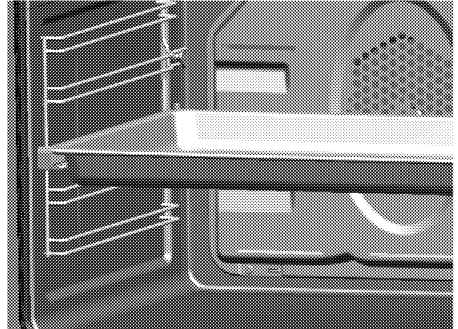
Used for roasting and for placing the food to be baked, roasted or cooked in casserole dishes to the desired rack.



5. **Placing the wire shelf and tray onto the telescopic racks properly**
(This feature is optional. It may not exist on your product.)

Telescopic racks allow you to install and remove the trays and wire shelf easily.

When using the tray and wire shelf with telescopic racks, make sure that the pins at the rear section of the telescopic rack stands against the edges of the wire shelf and tray.



Technical specifications

Voltage / frequency	220-240 V ~ 50 Hz
Total power consumption	2.5 kW
Fuse	16 A
Cable type / section	min.H05W-FG 3 x 1,5 mm ²
External dimensions (height / width / depth)	595 mm/594 mm/567 mm
Installation dimensions (height / width / depth)	**590 or 600 mm/560 mm/min. 550 mm
Main oven	Multifunction oven
Inner lamp	15/25 W
Grill power consumption	2.2 kW

Basics: Information on the energy label of electrical ovens is given in accordance with the EN 60350-1 / IEC 60350-1 standard. Those values are determined under standard load with bottom-top heater or fan assisted heating (if any) functions.

Energy efficiency class is determined in accordance with the following prioritization depending on whether the relevant functions exist on the product or not. 1-Cooking with eco-fan, 2- Turbo slow cooking, 3- Turbo cooking, 4- Fan assisted bottom/top heating, 5-Top and bottom heating.

** See. *Installation, page 12.*



Technical specifications may be changed without prior notice to improve the quality of the product.



Figures in this manual are schematic and may not exactly match your product.



Values stated on the product labels or in the documentation accompanying it are obtained in laboratory conditions in accordance with relevant standards. Depending on operational and environmental conditions of the product, these values may vary.

3 Installation

Product must be installed by a qualified person in accordance with the regulations in force. The manufacturer shall not be held responsible for damages arising from procedures carried out by unauthorized persons which may also void the warranty.



Preparation of location and electrical installation for the product is under customer's responsibility.



DANGER:

The product must be installed in accordance with all local electrical regulations.



DANGER:

Prior to installation, visually check if the product has any defects on it. If so, do not have it installed.

Damaged products cause risks for your safety.

Before installation

The appliances must not be installed behind a decorative door in order to avoid overheating. The appliance is intended for installation in commercially available kitchen cabinets. A safety

distance must be left between the appliance and the kitchen walls and furniture. See figure (values in mm).

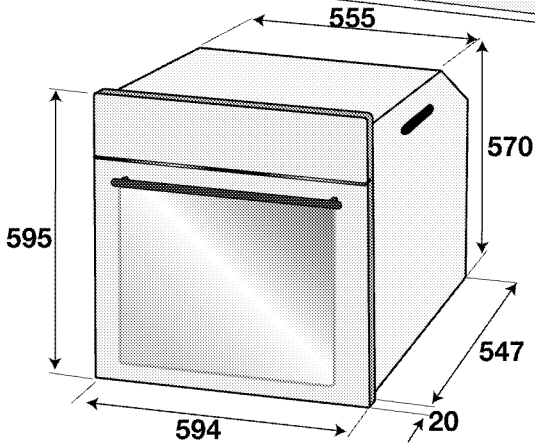
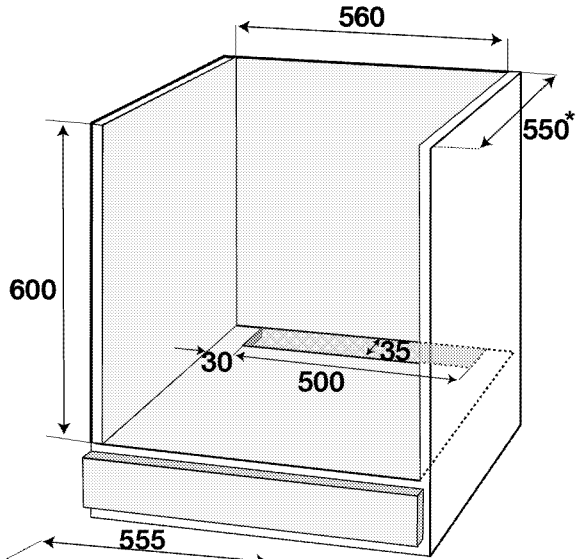
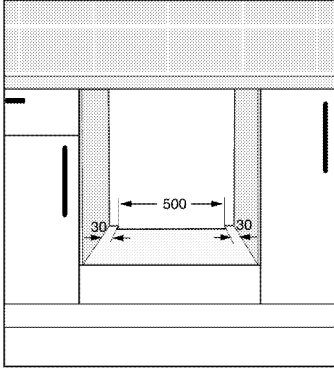
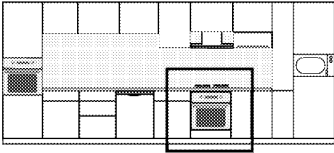
- Surfaces, synthetic laminates and adhesives used must be heat resistant (100 °C minimum).
- Kitchen cabinets must be set level and fixed.
- If there is a drawer beneath the oven, a shelf must be installed in order to separate from the oven and drawer.
- Carry the appliance with at least two persons.
- Hold the oven from the slots for handling on both sides to move it.
- Before installing the product, remove all materials and documents inside.
- Kitchen furniture must be in compliance with the dimensions given in the figure below. At the rear section of the kitchen furniture, an opening must be cut out with the dimensions given in the figure below to ensure sufficient ventilation.



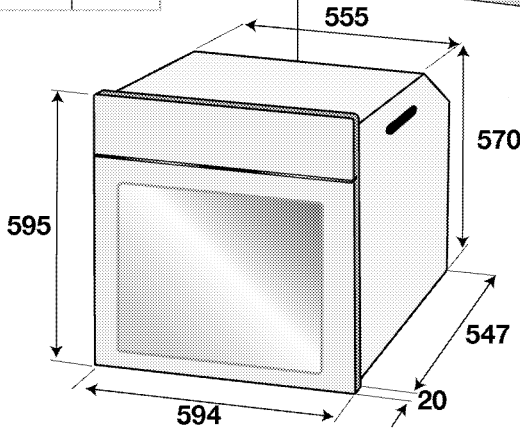
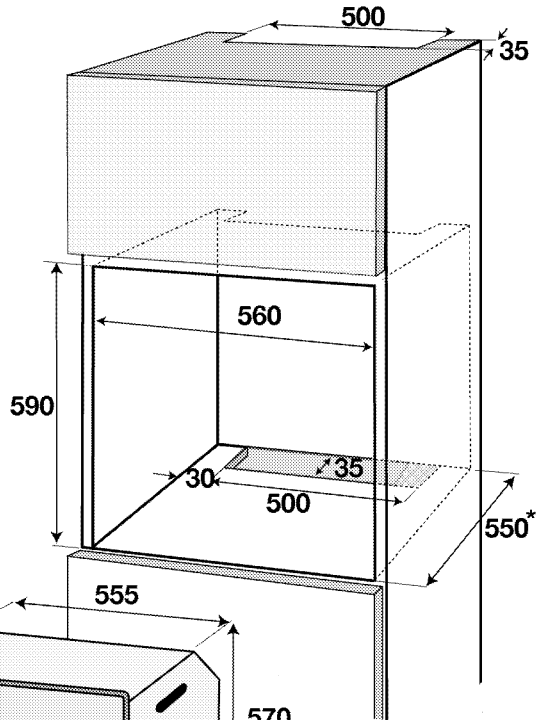
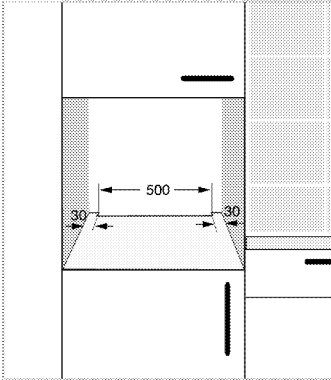
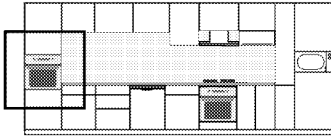
Do not install the appliance next to refrigerators or freezers. The heat emitted by the appliance will lead to an increased energy consumption of cooling appliances.



The door and/or handle must not be used for lifting or moving the appliance.



* min.



* min.

Installation and connection

- The product must be installed in accordance with all local gas and electrical regulations.

Electrical connection

Connect the product to a grounded outlet/line protected by a miniature circuit breaker of suitable capacity as stated in the "Technical specifications" table. Have the grounding installation made by a qualified electrician while using the product with or without a transformer. Our company shall not be liable for any damages that will arise due to using the

product without a grounding installation in accordance with the local regulations.



DANGER:

The product must be connected to the mains supply only by an authorised and qualified person. The product's warranty period starts only after correct installation. Manufacturer shall not be held responsible for damages arising from procedures carried out by unauthorised persons.

**DANGER:**

The power cable must not be clamped, bent or trapped or come into contact with hot parts of the product.

A damaged power cable must be replaced by a qualified electrician. Otherwise, there is risk of electric shock, short circuit or fire!

- Connection must comply with national regulations.
- The mains supply data must correspond to the data specified on the type label of the product. Open the front door to see the type label.
- Power cable of your product must comply with the values in "Technical specifications" table.

**DANGER:**

Before starting any work on the electrical installation, disconnect the product from the mains supply.

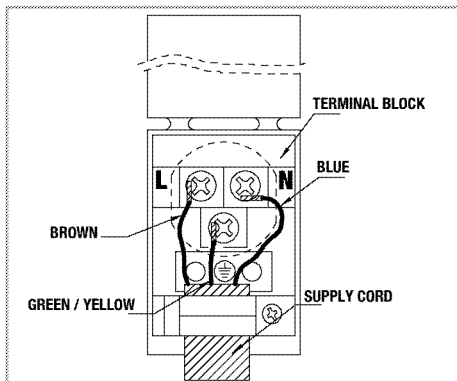
There is the risk of electric shock!

Connecting the power cable


While performing the wiring, you must apply with the national/local electrical regulations and must use the appropriate socket outlet/line and plug for oven. In case of the product's power limits are out of current carrying capability of plug and socket outlet/line, the product must be connected through fixed electrical installation directly without using plug and socket outlet/line.

1. If it is not possible to disconnect all poles in the supply power, a disconnection unit with at least 3 mm contact clearance (fuses, line safety switches, contactors) must be connected and all the poles of this disconnection unit must be adjacent to (not above) the product in accordance with IEE directives. Failure to obey this instruction may cause operational problems and invalidate the product warranty.


Additional protection by a residual current circuit breaker is recommended.

If a cable is supplied with the product:

2. **For single-phase connection**, connect the wires as identified below:

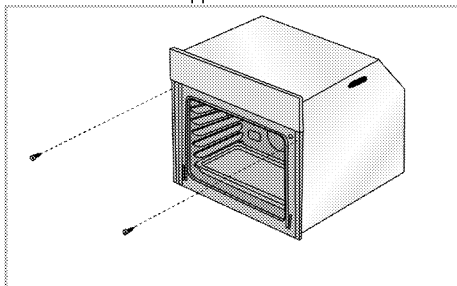
- Brown/Black cable = L (Phase)
- Blue/Grey cable = N (Neutral)
- Green/yellow cable = (E)  (Ground)

» or

- Grey/Black cable = L (Phase)
- Blue/Brown cable = N (Neutral)
- Green/yellow cable = (E)  (Ground)

Installing the product

1. Slide the oven into the cabinet, align and secure it while making sure that the power cable is not broken and/or trapped.

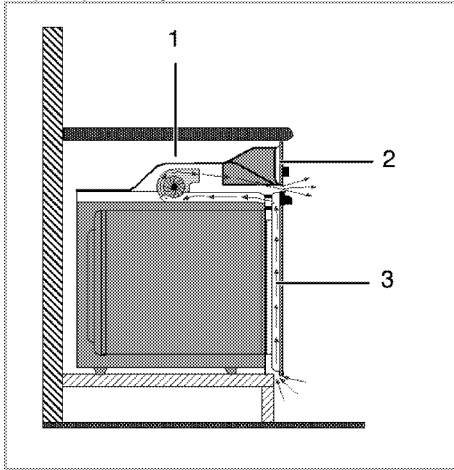


Secure the oven with 2 screws as illustrated.

After the installation, make sure that the screws are sufficiently tightened and the oven does not move.

Oven may tip over during use if it is not installed as per the instructions and if the screws are not sufficiently tightened.

For products with cooling fan (It may not exist on your product.)



- 1 Cooling fan
- 2 Control panel
- 3 Door

The built-in cooling fan cools both the built-in cabinet and the front of the product.



Cooling fan continues to operate for about 20-30 minutes after the oven is switched off. If you have cooked by programming the timer of the oven, cooling fan will also be switched off at the end of the cooking time together with all functions.

Final check

1. Operate the product.
2. Check the functions.

Future Transportation

- Keep the product's original carton and transport the product in it. Follow the instructions on the carton. If you do not have the original carton, pack the product in bubble wrap or thick cardboard and tape it securely.
- To prevent the wire grill and tray inside the oven from damaging the oven door, place a strip of cardboard onto the inside of the oven door that lines up with the position of the trays. Tape the oven door to the side walls.
- Do not use the door or handle to lift or move the product.



Do not place any objects onto the product and move it in upright position.



Check the general appearance of your product for any damages that might have occurred during transportation.

4 Preparation

Tips for saving energy

The following information will help you to use your appliance in an ecological way, and to save energy:

- Use dark coloured or enamel coated cookware in the oven since the heat transmission will be better.
- While cooking your dishes, perform a preheating operation if it is advised in the user manual or cooking instructions.
- Do not open the door of the oven frequently during cooking.
- Try to cook more than one dish in the oven at the same time whenever possible. You can cook by placing two cooking vessels onto the wire shelf.
- Cook more than one dish one after another. The oven will already be hot.
- You can save energy by switching off your oven a few minutes before the end of the cooking time. Do not open the oven door.
- Defrost frozen dishes before cooking them.

Initial use

First cleaning of the appliance



The surface might get damaged by some detergents or cleaning materials.

Do not use aggressive detergents, cleaning powders/creams or any sharp objects during cleaning.

Do not use harsh abrasive cleaners or sharp metal scrapers to clean the oven door glass since they can scratch the surface, which may result in shattering of the glass.

1. Remove all packaging materials.
2. Wipe the surfaces of the appliance with a damp cloth or sponge and dry with a cloth.

Initial heating

Heat up the product for about 30 minutes and then switch it off. Thus, any production residues or layers will be burnt off and removed.



WARNING

Hot surfaces cause burns!

Product may be hot when it is in use. Never touch the hot burners, inner sections of the oven, heaters and etc. Keep children away. Always use heat resistant oven gloves when putting in or removing dishes into/from the hot oven.

Electric oven

1. Take all baking trays and the wire grill out of the oven.
2. Close the oven door.
3. Select Static position.
4. Select the highest grill power; See *How to operate the electric oven, page 18*.
5. Operate the oven for about 30 minutes.
6. Turn off your oven; See *How to operate the electric oven, page 18*

Grill oven

1. Take all baking trays and the wire grill out of the oven.
2. Close the oven door.
3. Select the highest grill power; see *How to operate the grill, page 21*.
4. Operate the grill about 30 minutes.
5. Turn off your grill; see *How to operate the grill, page 21*



Smoke and smell may emit for a couple of hours during the initial operation. This is quite normal. Ensure that the room is well ventilated to remove the smoke and smell. Avoid directly inhaling the smoke and the smell that emits.

5 How to operate the oven

General information on baking, roasting and grilling



WARNING

Hot surfaces cause burns!
Product may be hot when it is in use. Never touch the hot burners, inner sections of the oven, heaters and etc. Keep children away. Always use heat resistant oven gloves when putting in or removing dishes into/from the hot oven.



DANGER:

Be careful when opening the oven door as steam may escape.
Exiting steam can scald your hands, face and/or eyes.

Tips for baking

- Use non-sticky coated appropriate metal plates or aluminum vessels or heat-resistant silicone moulds.
- Make best use of the space on the rack.
- Place the baking mould in the middle of the shelf.
- Select the correct rack position before turning the oven or grill on. Do not change the rack position when the oven is hot.
- Keep the oven door closed.

Tips for roasting

- Treating whole chicken, turkey and large piece of meat with dressings such as lemon juice and black pepper before cooking will increase the cooking performance.
- It takes about 15 to 30 minutes longer to roast meat with bones when compared to roasting the same size of meat without bones.
- Each centimeter of meat thickness requires approximately 4 to 5 minutes of cooking time.
- Let meat rest in the oven for about 10 minutes after the cooking time is over. The juice is better distributed all over the roast and does not run out when the meat is cut.
- Fish should be placed on the middle or lower rack in a heat-resistant plate.

Tips for grilling

When meat, fish and poultry are grilled, they quickly get brown, have a nice crust and do not get dry. Flat pieces, meat skewers and sausages are particularly suited for grilling as are vegetables with high water content such as tomatoes and onions.

- Distribute the pieces to be grilled on the wire shelf or in the baking tray with wire shelf in such

a way that the space covered does not exceed the size of the heater.

- Slide the wire shelf or baking tray with grill into the desired level in the oven. If you are grilling on the wire shelf, slide the baking tray to the lower rack to collect fats. Add some water in the tray for easy cleaning.

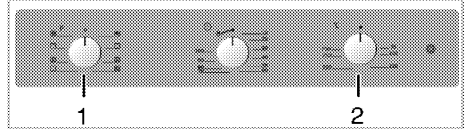


Foods that are not suitable for grilling carry the risk of fire. Only grill food which is suitable for intensive grilling heat.

Do not place the food too far in the back of the grill. This is the hottest area and fatty food may catch fire.

How to operate the electric oven

Select temperature and operating mode



1 Function knob

2 Thermostat knob

1. Set the oven timer to the desired cooking time; see .
2. Set the Function knob to the desired operating mode.
3. Set the Temperature knob to the desired temperature.

» Oven heats up to the adjusted temperature and maintains it. During heating, temperature lamp stays on.

Switching off the electric oven

Switch the oven timer to off position.



When the timer is set to a certain time, it will turn off automatically; see

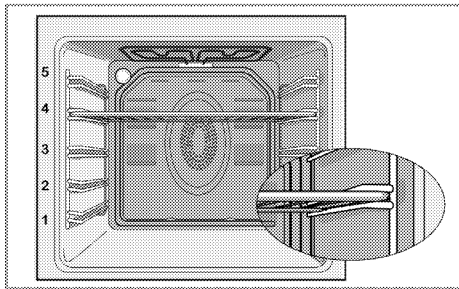
Turn the function knob and temperature knob to off (upper) position.

Rack positions (For models with wire shelf)

It is important to place the wire shelf onto the side rack correctly. Wire shelf must be inserted between the side racks as illustrated in the figure.

Do not let the wire shelf stand against the rear wall of the oven. Slide your wire shelf to the front section of the rack and settle it with the help of the door in order to obtain a good grill performance.

(Varies depending on the product model.)



Operating modes

The order of operating modes shown here may be different from the arrangement on your product.

Top and bottom heating



Top and bottom heating are in operation. Food is heated simultaneously from the top and bottom. For example, it is suitable for cakes, pastries, or cakes and casseroles in baking moulds. Cook with one tray only.

Bottom heating



Only bottom heating is in operation. It is suitable for pizza and for subsequent browning of food from the bottom.



This function must be used for easy steam cleaning as well.

Fan supported bottom/top heating



Top heating, bottom heating plus fan (in the rear wall) are in operation. Hot air is evenly distributed throughout the oven rapidly by means of the fan. Cook with one tray only.

Operating with fan



The oven is not heated. Only the fan (in the rear wall) is in operation. Suitable for thawing frozen granular food slowly at room temperature and cooling down the cooked food.

Fan Heating



Warm air heated by the rear heater is evenly distributed throughout the oven rapidly by means of the fan.



It is suitable for cooking your meals in different rack levels and preheating is not required in most cases. Suitable for cooking with multi trays.

This function must be used for easy steam cleaning as well.

"3D" function



Top heating, bottom heating and fan assisted heating (in the rear wall) are in operation. Food is cooked evenly and quickly all around. Cook with one tray only.

Full grill



Large grill at the ceiling of the oven is in operation. It is suitable for grilling large amount of meat.

- Put big or medium-sized portions in correct rack position under the grill heater for grilling.
- Set the temperature to maximum level.
- Turn the food after half of the grilling time.

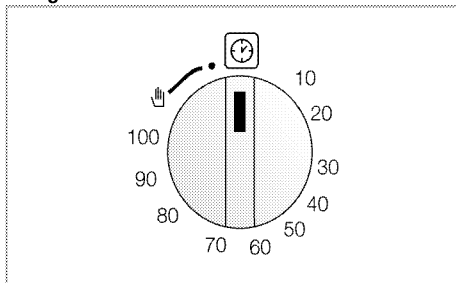
Grill+Fan



Grilling effect is not as strong as in Full Grill

- Put small or medium-sized portions in correct shelf position under the grill heater for grilling.
- Set the desired temperature.
- Turn the food after half of the grilling time.

Using the oven clock



Starting the cooking



In order to operate the oven, you must select cooking mode and the desired temperature and set the time. Otherwise, the oven will not operate.

1. Turn the Time Adjustment knob clockwise to set the cooking time.
2. Put your dish into the oven.
3. Select operation mode and temperature; see *How to operate the electric oven, page 18.*

» The oven will be heated up to the preset temperature and will maintain this temperature until the end of the cooking time you selected.

- Once the cooking time is over, Time Setting knob will automatically rotate counterclockwise. A warning sound indicating that the set time is over is heard and the power is cut.



If you do not want to use the timer function, turn the knob counterclockwise towards the hand symbol.

- Turn off the oven with the Time Setting knob, function knob and temperature knob.

Turning off the oven before the set time

- Turn the Time Adjustment knob counterclockwise until it stops.
- Turn off the oven with the Function knob and Temperature knob.

Cooking times table



The timings in this chart are meant as a guide. Timings may vary due to temperature of food, thickness, type and your own preference of cooking.

Baking and roasting



1st rack of the oven is the **bottom** rack.

Dish	Cooking level number		Rack position	Temperature (°C)	Cooking time (approx. in min.)
Cakes in tray*	One level		3	175	25 ... 30
Cakes in mould*	One level		2	180	40 ... 50
Cakes in cooking paper*	One level		3	175	25 ... 30
	2 levels		1 - 5	175	30 ... 40
	3 levels		1 - 3 - 5	180	45 ... 55
Sponge cake*	One level		3	200	5 ... 10
	2 levels		1 - 5	175	20 ... 30
Cookies*	One level		3	175	25 ... 30
	2 levels		1 - 5	170 ... 190	30 ... 40
	3 levels		1 - 3 - 5	175	35 ... 45
Dough pastry*	One level		2	200	30 ... 40
	2 levels		1 - 5	200	45 ... 55
	3 levels		1 - 3 - 5	200	55 ... 65
Rich pastry*	One level		2	200	25 ... 35
	2 levels		1 - 5	200	35 ... 45
	3 levels		1 - 3 - 5	190	45 ... 55
Leaven*	One level		2	200	35 ... 45
	2 levels		1 - 3	190	35 ... 45
Lasagna*	One level		2 - 3	200	30 ... 40
Pizza*	One level		2	200 ... 220	15 ... 20
Beef steak (whole) / Roast	One level		3	25 min. 250/max, then 180 ... 190	100 ... 120
Leg of Lamb (casserole)	One level		3	25 min. 250/max, then 190	70 ... 90
	One level		3	25 min. 250/max, then 190	60 ... 80
Roasted chicken	One level		2	15 min. 250/max, then 180 ... 190	55 ... 65
	One level		2	15 min. 250/max, then 180 ... 190	55 ... 65
Turkey (5.5 kg)	One level		1	25 min. 250/max, then 180 ... 190	150 ... 210
	One level		1	25 min. 250/max, then 180 ... 190	150 ... 210
Fish	One level		3	200	20 ... 30
	One level		3	200	20 ... 30

When cooking with 2 trays at the same time, place the deeper tray on the upper rack and the other one on the lower rack.
* It is suggested to perform preheating for all foods.

(**) In a cooking that requires preheating, preheat at the beginning of cooking until the oven reached to adjusted temperature.

Tips for baking cake

- If the cake is too dry, increase the temperature by 10°C and decrease the cooking time.
- If the cake is wet, use less liquid or lower the temperature by 10°C.
- If the cake is too dark on top, place it on a lower rack, lower the temperature and increase the cooking time.
- If cooked well on the inside but sticky on the outside use less liquid, lower the temperature and increase the cooking time.

Tips for baking pastry

- If the pastry is too dry, increase the temperature by 10°C and decrease the cooking time. Dampen the layers of dough with a sauce composed of milk, oil, egg and yoghurt.
- If the pastry takes too long to bake, pay care that the thickness of the pastry you have prepared does not exceed the depth of the tray.
- If the upper side of the pastry gets browned, but the lower part is not cooked, make sure that the amount of sauce you have used for the pastry is not too much at the bottom of the pastry. Try to scatter the sauce equally between the dough layers and on the top of pastry for an even browning.



Cook the pastry in accordance with the mode and temperature given in the cooking table. If the bottom part is still not browned enough, place it on one lower rack next time.

Tips for cooking vegetables

- If the vegetable dish runs out of juice and gets too dry, cook it in a pan with a lid instead of a tray. Closed vessels will preserve the juice of the dish.
- If a vegetable dish does not get cooked, boil the vegetables beforehand or prepare them like canned food and put in the oven.

How to operate the grill



WARNING

Close oven door during grilling.
Hot surfaces may cause burns!

- Turn the Time Adjustment knob counter clockwise to Hand symbol when grilling.

Switching on the grill

1. Turn the Function knob to the desired grill symbol.
2. Then, select the desired grilling temperature.
3. If required, perform a preheating of about 5 minutes.

» Temperature light turns on.

Switching off the grill

1. Turn the Function knob to Off (top) position.



Foods that are not suitable for grilling carry the risk of fire. Only grill food which is suitable for intensive grilling heat.

Do not place the food too far in the back of the grill. This is the hottest area and fatty food may catch fire.

Cooking times table for grilling

Grilling with electric grill

Food	Rack position	Recommended temperature (°C)**	Grilling time (approx.)
Fish	4...5	250/max	20...25 min. #
Sliced chicken	4...5	250/max	25...35 min.
Lamb chops	4...5	250/max	20...25 min.
Roast beef	4...5	250/max	25...30 min. #
Veal chops	4...5	250/max	25...30 min. #
Toast bread*	4	250/max	1...3 min.

depending on thickness



*Preheat for 5 minutes

**If the grill temperature of your product cannot be adjusted, the grill will work at the maximum temperature.


6 Maintenance and care


General information

Service life of the product will extend and the possibility of problems will decrease if the product is cleaned at regular intervals.

	DANGER: Disconnect the product from mains supply before starting maintenance and cleaning works. There is the risk of electric shock!
	DANGER: Allow the product to cool down before you clean it. Hot surfaces may cause burns!


- Clean the product thoroughly after each use. In this way it will be possible to remove cooking residues more easily, thus avoiding these from burning the next time the appliance is used.
- No special cleaning agents are required for cleaning the product. Use warm water with washing liquid, a soft cloth or sponge to clean the product and wipe it with a dry cloth.
- Always ensure any excess liquid is thoroughly wiped off after cleaning and any spillage is immediately wiped dry.
- Do not use cleaning agents that contain acid or chloride to clean the stainless or inox surfaces and the handle. Use a soft cloth with a liquid detergent (not abrasive) to wipe those parts clean, paying attention to sweep in one direction.

	The surface might get damaged by some detergents or cleaning materials. Do not use aggressive detergents, cleaning powders/creams or any sharp objects during cleaning. Do not use harsh abrasive cleaners or sharp metal scrapers to clean the oven door glass since they can scratch the surface, which may result in shattering of the glass.
---	--

	Do not use steam cleaners to clean the appliance as this may cause an electric shock.
--	---

Cleaning the control panel

Clean the control panel and knobs with a damp cloth and wipe them dry.

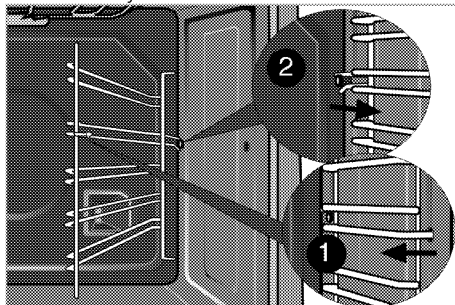
	If your product is equipped with buttons/knobs do not remove the control buttons/knobs to clean the control panel. Control panel may get damaged!
--	--

Cleaning the oven

To clean the side wall

(This feature is optional. It may not exist on your product.)

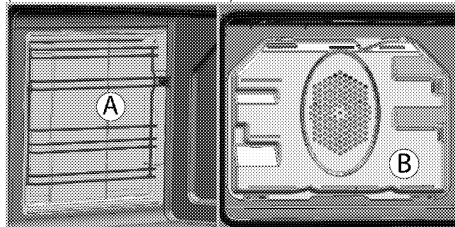
1. Remove the front section of the side rack by pulling it in the opposite direction of the side wall.
2. Remove the side rack completely by pulling it towards you.



Catalytic walls

(This feature is optional. It may not exist on your product.)

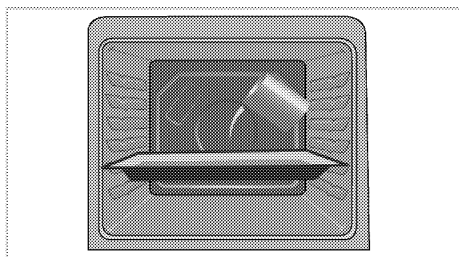
The inner side walls (A) and/or the rear wall (B) of your product may be coated with catalytic enamel. Catalytic walls have a light matte colour and a porous surface. Catalytic walls of the oven should not be cleaned. Porous surfaces of the catalytic walls are automatically cleaned by absorbing and converting the spilled oil (steam and carbon dioxide).



Easy Steam Cleaning

It ensures easy cleaning because the dirt (having waited not for too long) is softened with the steam that forms inside the oven and the water drops condensing on the inner surfaces of the oven.

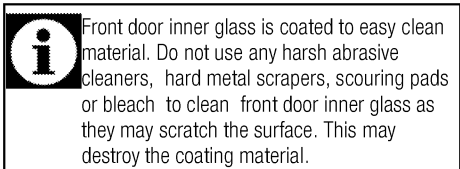
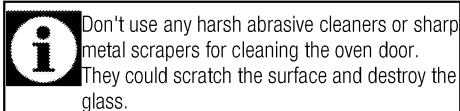
1. Remove all accessories inside the oven.
2. Pour 500 ml of water into the oven tray and place the tray at the 2nd rack of the oven.



3. Set the oven to easy steam cleaning mode and run at 100°C for 25 minutes.
4. Open the door and wipe the inner surfaces of the oven with a damp sponge or cloth.
5. Use warm water with washing liquid, a soft cloth or sponge to clean the persistent dirt and wipe it with a dry cloth.

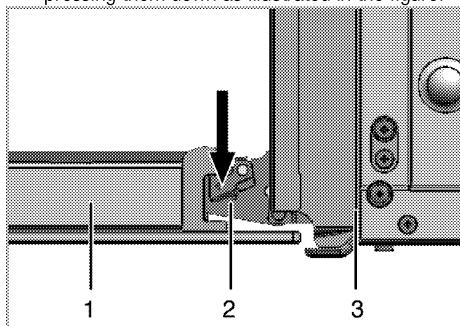
Clean oven door

To clean the oven door, use warm water with washing liquid, a soft cloth or sponge to clean the product and wipe it with a dry cloth.

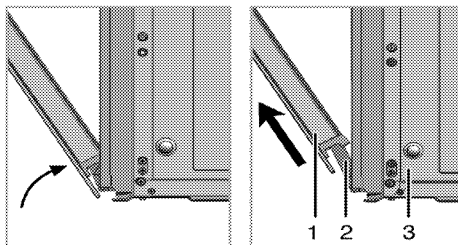


Removing the oven door

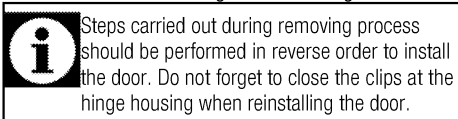
1. Open the front door (1).
2. Open the clips at the hinge housing (2) on the right and left hand sides of the front door by pressing them down as illustrated in the figure.



- 1 Front door
- 2 Hinge
- 3 Oven



3. Move the front door to half-way.
4. Remove the front door by pulling it upwards to release it from the right and left hinges.

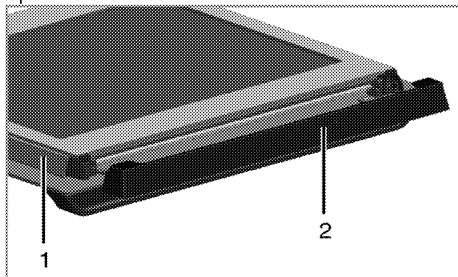


Removing the door inner glass

(This feature is optional. It may not exist on your product.)

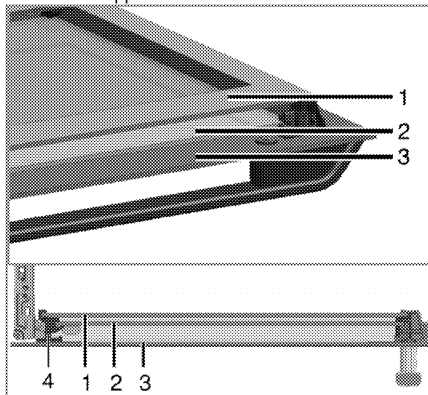
The inner glass panel of the oven door can be removed for cleaning.

Open the oven door.



- 1 Frame
- 2 Plastic part

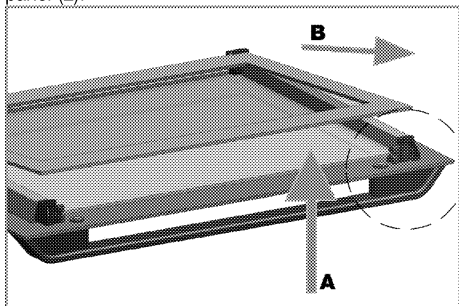
Pull towards yourself and remove the plastic part installed to upper section of the front door.



- 1 Innermost glass panel

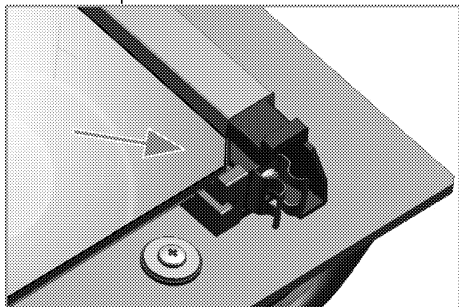
- 2 Inner glass panel
- 3 Outer glass panel
- 4 Plastic glass panel slot-Lower

As illustrated in figure, raise the innermost glass panel (1) slightly in direction **A** and pull it out in direction **B**. Repeat the same procedure to remove the inner glass panel (2).



The first step to regroup the door is reinstalling inner glass panel (2).

As illustrated in figure, place the chamfered corner of the glass panel so that it will rest in the chamfered corner of the plastic slot.



Inner glass panel (2) must be installed into the plastic slot close the innermost glass panel (1).

When installing the innermost glass panel (1), make sure that the printed side of the panel faces towards the inner glass panel.

It is important to seat lower corner of inner glass panel into the lower plastic slot.

Push the plastic part towards the frame until you hear a "click".

Replacing the oven lamp



DANGER:

Before replacing the oven lamp, make sure that the product is disconnected from mains and cooled down in order to avoid the risk of an electrical shock.
Hot surfaces may cause burns!



The oven lamp is a special electric light bulb that can resist up to 300 °C. See *Technical specifications, page 11* for details. Oven lamps can be obtained from Authorised Service Agents or technician with licence.



Position of lamp might vary from the figure.



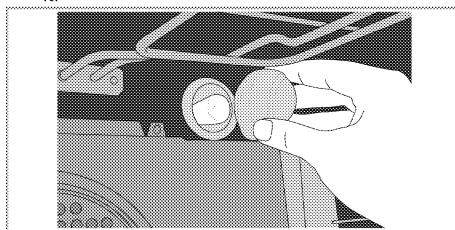
The lamp used in this appliance is not suitable for household room illumination. The intended purpose of this lamp is to assist the user to see foodstuffs.



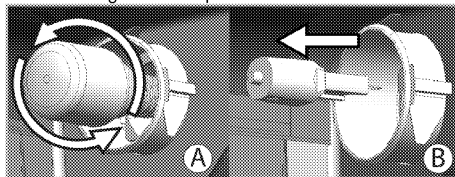
The lamps used in this appliance have to withstand extreme physical conditions such as temperatures above 50 °C.

If your oven is equipped with a round lamp:

1. Disconnect the product from mains.
2. Turn the glass cover counter clockwise to remove it.



3. If your oven lamp is of type (A) shown in the figure below, remove it by rotating as shown and replace it. If it is of type (B), pull and remove it as shown in the figure and replace it.



4. Install the glass cover.

7 Troubleshooting

Oven emits steam when it is in use.

- It is normal that steam escapes during operation. >>> *This is not a fault.*

Product emits metal noises while heating and cooling.

- When the metal parts are heated, they may expand and cause noise. >>> *This is not a fault.*

Product does not operate.

- The mains fuse is defective or has tripped. >>> *Check fuses in the fuse box. If necessary, replace or reset them.*
- Product is not plugged into the (grounded) socket. >>> *Check the plug connection.*

Oven light does not work.

- Oven lamp is defective. >>> *Replace oven lamp.*
- Power is cut. >>> *Check if there is power. Check the fuses in the fuse box. If necessary, replace or reset the fuses.*

Oven does not heat.

- Might not be set to a certain cooking function and/or temperature. >>> *Set the oven to a certain cooking function and/or temperature.*
- In models equipped with a timer, the timer is not adjusted. >>> *Adjust the time.*
(In products with microwave oven, timer controls only microwave oven.)
- Power is cut. >>> *Check if there is power. Check the fuses in the fuse box. If necessary, replace or reset the fuses.*

(In models with timer) Clock display is blinking or clock symbol is on.

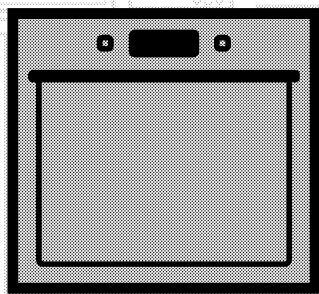
- A previous power outage has occurred. >>> *Adjust the time / Switch of the product and switch it on again.*



Consult the Authorised Service Agent or technician with licence or the dealer where you have purchased the product if you can not remedy the trouble although you have implemented the instructions in this section. Never attempt to repair a defective product yourself.

Forno incassato

Manuale utente



IT

beko

Leggere questo manuale utente come prima cosa!

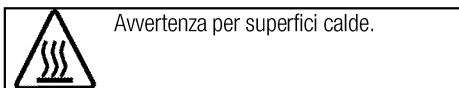
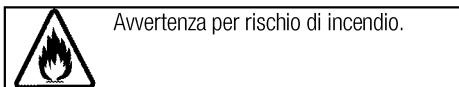
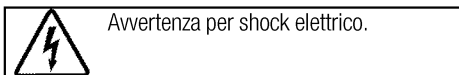
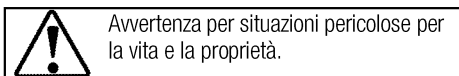
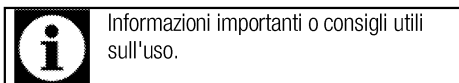
Gentile cliente,

Grazie per aver scelto un apparecchio Beko. Vi auguriamo di ottenere i migliori risultati da questo apparecchio, realizzato con tecnologia di alta qualità e di avanguardia. Pertanto, di leggere questo manuale utente e tutta la documentazione allegata con attenzione prima di usare l'apparecchio e di conservarli per riferimento futuro. Se l'apparecchio viene trasferito ad un'altra persona, bisogna consegnare anche il manuale. Seguire tutte le avvertenze e le informazioni del manuale utente.

Ricordare che questo manuale utente può essere applicabile anche a vari altri modelli. Le differenze tra i modelli sono identificate nel manuale.

Spiegazione dei simboli

In questo manuale utente si usano i simboli che seguono:



Arçelik A.Ş.
Karaağaç caddesi No:2-6
34445 Sütlüce/Istanbul/TURKEY
Made in TURKEY

1 Istruzioni importanti e avvertenze per sicurezza e ambiente 4

Sicurezza generale..... 4
 Sicurezza elettrica..... 4
 Sicurezza del prodotto..... 5
 Uso previsto 7
 Sicurezza dei bambini 7
 Smaltimento di vecchi prodotti..... 8
 Smaltimento del materiale di imballaggio..... 8

2 Informazioni generali 9

Panoramica..... 9
 Contenuto della confezione..... 10
 Specifiche tecniche..... 11

3 Installazione 12

Prima della installazione..... 12
 Installazione e collegamento..... 14
 Smaltimento di vecchi prodotti..... 16

4 Preparazioni 17

Consigli per il risparmio energetico 17
 Uso iniziale..... 17
 Prima pulizia del prodotto 17
 Riscaldamento iniziale..... 17

5 Come utilizzare il forno 18

Informazioni generali su cottura al forno, cottura arrosto e con grill..... 18
 Come utilizzare il forno elettrico..... 18
 Modalità di funzionamento 19
 Uso dell'orologio del forno..... 20
 Tabella tempi di cottura..... 21
 Come utilizzare il grill..... 22
 Tabella tempi di cottura per la cottura con grill..... 22

6 Manutenzione e cura 23

Informazioni generali 23
 Pulizia del pannello di controllo 23
 Pulizia del forno 23
 Rimozione dello sportello del forno..... 24
 Rimozione del vetro interno dello sportello 24
 Sostituzione della lampadina del forno 26

7 Ricerca e risoluzione dei problemi 27

1 Istruzioni importanti e avvertenze per sicurezza e ambiente

Questa sezione contiene istruzioni per la sicurezza che aiutano a proteggere dal rischio di lesioni personali o danni alla proprietà. La mancata osservanza di queste istruzioni priva la garanzia di validità.

Sicurezza generale

- Questo apparecchio può essere utilizzato da bambini con età superiore agli 8 anni e da persone con capacità fisiche, sensoriali o mentali ridotte, o che manchino di esperienza e conoscenza, purché ricevano la supervisione e le istruzioni sull'uso dell'apparecchio in modo sicuro e comprendano i rischi coinvolti. I bambini non devono giocare con l'apparecchio. Pulizia e manutenzione da parte dell'utente non devono essere eseguite da bambini senza supervisione.
- Questo apparecchio non deve essere utilizzato da persone (compresi i bambini) con capacità fisiche, sensoriali o mentali ridotte, oppure prive di esperienza e conoscenza, a meno che non ricevano supervisione o istruzioni al riguardo. I bambini devono essere vigilati affinché non giochino con il dispositivo.

- Se il prodotto viene ceduto a qualcun altro per l'uso personale o per scopi d'uso di seconda mano, fornire anche il manuale utente, le etichette del prodotto e gli altri documenti e parti.
- Le procedure di installazione e riparazione devono essere sempre eseguite da agenti autorizzati per l'assistenza. Il produttore non sarà considerato responsabile dei danni derivanti da procedure eseguite da persone non autorizzate e potrebbe considerare non valida la garanzia. Prima dell'installazione, leggere le istruzioni con attenzione.
- Non utilizzare il prodotto se è difettoso o se presenta danni visibili.
- Controllare che le manopole delle funzioni dell'apparecchio siano disattivate dopo ogni uso.

Sicurezza elettrica

- In caso di guasti all'apparecchio, non utilizzarlo a meno che non venga riparato da un agente autorizzato per l'assistenza. C'è il rischio di shock elettrico!
- Collegare l'apparecchio solo ad una presa messa a terra/linea con tensione e protezione secondo quanto specificato in

"Specifiche tecniche". Far eseguire la messa a terra da un elettricista qualificato quando si usa il prodotto con o senza un trasformatore. La nostra azienda non sarà responsabile di problemi derivanti dall'uso dell'apparecchio senza messa a terra conforme ai regolamenti locali.

- Non lavare mai l'apparecchio spargendo o versando acqua su di esso! C'è il rischio di shock elettrico!
- L'apparecchio deve essere scollegato durante le procedure di installazione, manutenzione, pulizia e riparazione.
- Se il cavo di alimentazione dell'apparecchio è danneggiato, deve essere sostituito dal produttore, da un agente per l'assistenza o da persona similmente qualificata, per evitare rischi.
- L'apparecchio deve essere installato in modo che possa essere completamente scollegato dalla rete. La separazione deve essere garantita da una presa di rete o da un interruttore integrato nell'installazione elettrica fissa, secondo i regolamenti di costruzione.
- La superficie posteriore del forno diventa calda durante l'uso. Assicurarsi che il collegamento

elettrico non sia in contatto con la superficie posteriore; altrimenti, i collegamenti possono danneggiarsi.

- Non intrappolare il cavo di rete tra lo sportello del forno e la struttura e non farlo passare su superfici calde. Altrimenti, l'isolamento del cavo si può fondere e provocare un incendio come risultato del corto circuito.
- Tutti gli interventi su apparecchi e sistemi elettrici possono essere eseguiti solo da personale qualificato e autorizzato.
- In caso di danni, spegnere il prodotto e scollegarlo dalla rete. Per farlo, disattivare il fusibile domestico.
- Assicurarsi che la corrente del fusibile sia compatibile con il prodotto.

Sicurezza del prodotto

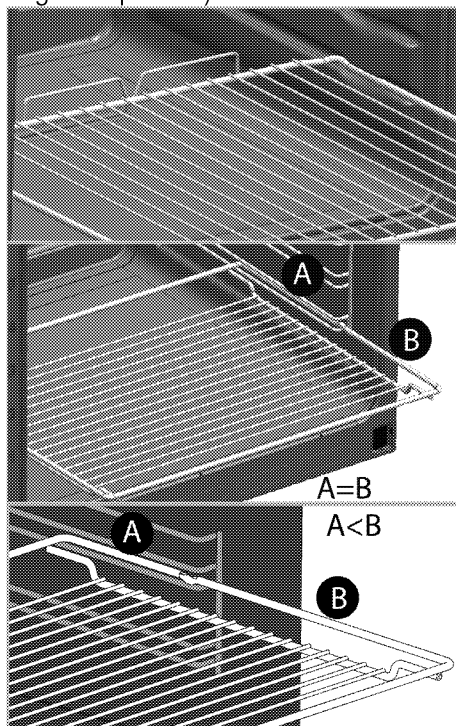
- **AVVERTENZA:** Questo apparecchio e le parti accessibili diventano caldi durante l'uso. Bisogna prestare attenzione a evitare di toccare gli elementi che si riscaldano. I bambini di età inferiore agli 8 anni devono essere tenuti lontani a meno che non ricevano continua supervisione.
- Non usare mai il prodotto quando giudizio e coordinazione sono

danneggiati dall'uso di alcool e/o droghe.

- Prestare attenzione quando si usano bevande alcoliche nei piatti. L'alcool evapora ad alte temperature e può provocare incendi poiché prende fuoco a contatto con superfici calde.
- Non mettere materiali infiammabili vicini al prodotto poiché i lati possono diventare caldi durante l'uso.
- Durante l'uso l'apparecchio diventa caldo. Bisogna prestare attenzione a evitare di toccare gli elementi che si riscaldano all'interno del forno.
- Tenere tutte le aperture di ventilazione libere da ostruzioni.
- Non riscaldare lattine chiuse e barattoli di vetro nel forno. La pressione che si può crea in contenitore/barattolo può farli esplodere.
- Non mettere vassoi per la cottura al forno o fogli di alluminio direttamente sul fondo del forno. L'accumulo di calore può danneggiare il fondo del forno.
- Non usare agenti pulenti abrasivi o raschietti duri in metallo per pulire il vetro dello sportello del forno poiché potrebbero graffiare la superficie rovinando il vetro.
- Non usare pulitori a vapore per pulire l'apparecchio poiché ciò

potrebbe provocare uno shock elettrico.

- (Varia a seconda del modello dell'apparecchio.)
Inserimento corretto della griglia e delle teglie
E' importante inserire la griglia e/o la teglia nelle rastrelliere laterali in maniera corretta. Far scivolare la griglia e/o la teglia sulle rastrelliere laterali verificandone la stabilità prima di posizionare le pietanze al di sopra (vedi immagine esplicativa di seguito riportata)



- Non usare il prodotto con il vetro dello sportello anteriore rimosso o lesionato.

- La maniglia del forno non serve per asciugare gli strofinacci. Non appendervi strofinacci, guanti o altri oggetti in tessuto quando la funzione grill è in corso con lo sportello aperto.
- Usare sempre guanti resistenti al calore quando si mettono o si rimuovono i piatti nel/dal forno caldo.
- Mettere la carta da forno nella pentola o nell'accessorio da forno (vassoio, grill, ecc.) assieme agli alimenti e poi inserire tutto nel forno pre-riscaldato. Togliere le parti in eccesso della carta da forno che fuoriescono dall'accessorio o dalla pentola per evitare il rischio che tocchino gli elementi di riscaldamento del forno. Non utilizzare mai la carta da forno a una temperatura operativa superiore al valore indicato per la carta da forno. Non mettere la carta da forno direttamente sulla base del forno.
- **AVVERTENZA:** Assicurarsi che l'apparecchio sia spento prima di sostituire la lampadina per evitare la possibilità di shock elettrico.
- Il dispositivo non deve essere installato dietro a porte decorative, così da evitarne il surriscaldamento.

Per l'affidabilità antincendio dell'apparecchio:

- Assicurarsi che la spina si adatti bene alla presa e che non provochi scintille.
- Non utilizzare cavi danneggiati, tagliati o prolunghe: utilizzare solo il cavo originale.
- Assicurarsi che non vi sia liquido o umidità sulla presa quando viene collegata all'apparecchio.

Uso previsto

- Questo prodotto è progettato per uso domestico. L'uso commerciale non è ammesso.
- Questo apparecchio serve solo per cucinare. Non deve essere usato per altri scopi, per esempio riscaldare l'ambiente
- Questo prodotto non deve essere usato per riscaldare piatti sotto al grill, asciugare asciugamani, panni per piatti, ecc. appesi sulle maniglie, né per riscaldare.
- Il produttore non sarà responsabile per danni provocati da uso o gestione non corretti.
- Il forno può essere usato per scongelare, cuocere al forno, arrostitire e cuocere con il grill gli alimenti.

Sicurezza dei bambini

- **AVVERTENZA:** Le parti accessibili possono diventare calde durante l'uso. I bambini devono essere tenuti lontani.

- I materiali di imballaggio sono pericolosi per i bambini. Tenere i bambini lontani dai materiali di imballaggio. Smaltire tutte le parti dell'imballaggio secondo gli standard ambientali.
- Gli apparecchi elettrici sono pericolosi per i bambini. Tenere i bambini lontano dall'apparecchio mentre è in uso e non lasciarli giocare con lo stesso.
- Non mettere sopra all'apparecchio alcun oggetto che possa essere raggiunto dai bambini.
- Quando lo sportello è aperto, non caricare sopra oggetti pesanti e non lasciare che i bambini vi si siedano sopra. Lo sportello potrebbe capovolgersi o i cardini dello stesso potrebbero danneggiarsi.

Smaltimento di vecchi prodotti

Conformità alla direttiva WEEE e allo smaltimento dei rifiuti:



Questo apparecchio è conforme alla Direttiva UE WEEE (2012/19/EU). Questo apparecchio riporta il simbolo di classificazione per i rifiuti delle apparecchiature elettriche ed elettroniche (WEEE).

Questo apparecchio è stato realizzato con parti e materiali di alta qualità che possono essere riutilizzati e sono adatti ad essere riciclati. Non smaltire i rifiuti dell'apparecchio con i normali rifiuti domestici e gli altri rifiuti alla fine della vita di servizio. Portarlo al centro di raccolta per il riciclaggio di apparecchiature elettriche ed elettroniche. Consultare le autorità locali per conoscere la collocazione di questi centri di raccolta.

Conformità alla Direttiva RoHS:

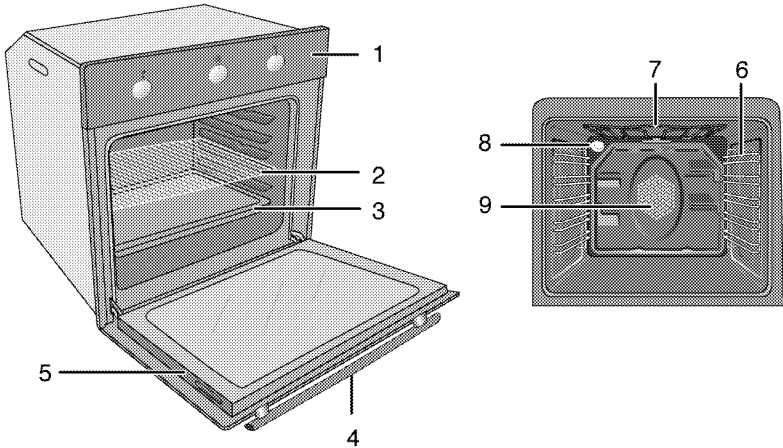
L'apparecchio acquistato è conforme alla Direttiva UE RoHS (2011/65/EU). Non contiene materiali pericolosi o proibiti specificati nella Direttiva.

Smaltimento del materiale di imballaggio

- I materiali di imballaggio sono pericolosi per i bambini. Tenere i materiali di imballaggio in un luogo sicuro, fuori dalla portata dei bambini. I materiali di imballaggio del prodotto sono realizzati con materiali riciclabili. Smaltirli in modo corretto e dividerli secondo le istruzioni per i rifiuti riciclabili. Non smaltirli con i normali rifiuti domestici.

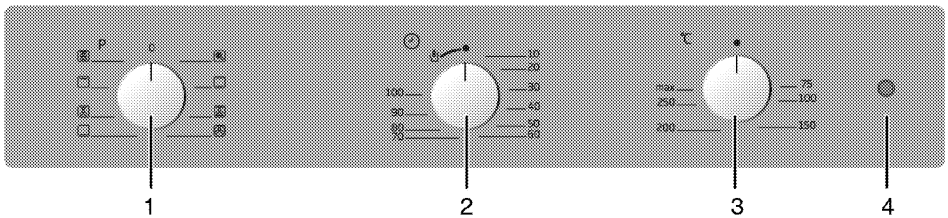
2 Informazioni generali

Panoramica



- 1 Pannello di controllo
- 2 Ripiano metallico
- 3 Vassoio
- 4 Maniglia
- 5 Sportello

- 6 Posizioni ripiani
- 7 Elemento di riscaldamento superiore
- 8 Lampadina
- 9 Motore ventola (dietro alla piastra di acciaio)



- 1 Manopola funzione
- 2 Timer meccanico
- 3 Manopola termostato
- 4 Lampadina termostato

Contenuto della confezione

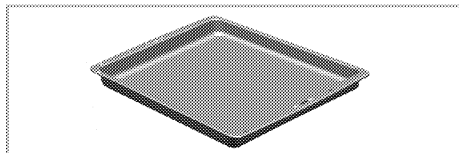


Gli accessori in dotazione possono variare a seconda del modello del prodotto. Non tutti gli accessori descritti nel manuale utente potrebbero esistere con il prodotto acquistato.

1. **Manuale utente**

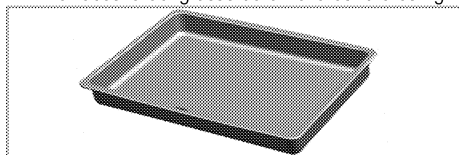
2. **Vassoio forno**

Usato per dolci, alimenti congelati e grandi arrosti.



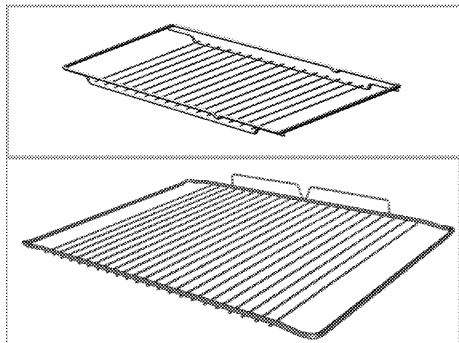
3. **Vassoio profondo**

Usato per dolci, arrosti grandi, piatti sugosi e per la raccolta del grasso durante la cottura con grill.



4. **Ripiano metallico**

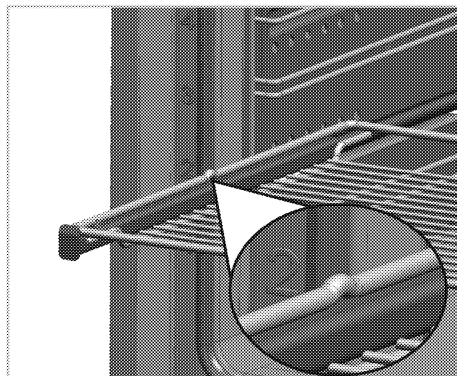
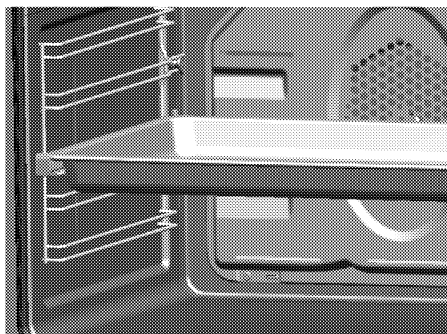
forno, da arrostire o piatti da cuocere in casseruola sulla rastrelliera desiderata.



5. **Posizionare in modo corretto ripiano metallico e vassoio sulle rastrelliere telescopiche (Questa funzione è opzionale. Potrebbe non essere sul prodotto acquistato).**

Le rastrelliere telescopiche consentono di installare e rimuovere facilmente i vassoi e il ripiano metallico.

Quando si usa il vassoio e il ripiano metallico con le rastrelliere telescopiche, assicurarsi che i perni della sezione posteriore della rastrelliera telescopica siano contro i bordi di grill metallico e vassoio.



Si consiglia di non utilizzare vassoi e griglie a contatto diretto con gli alimenti.

Specifiche tecniche

Tensione/frequenza	220-240 V ~ 50 Hz
Consumo energetico totale	2.5 kW
Fusibile	16 A
Tipo/sezione cavo	min.H05W-FG 3 x 1,5 mm ²
Dimensioni esterne (altezza/larghezza/profondità)	595 mm/594 mm/567 mm
Dimensioni installazione (altezza/larghezza/profondità)	**590 o 600 mm/560 mm/min. 550 mm
Forno principale	Forno multifunzione
Lampadina interna	15/25 W
Consumo energetico grill	2.2 kW

Informazioni fondamentali: Le informazioni sull'etichetta energetica dei forni elettriche sono fornite ai sensi dello standard EN 60350-1 / IEC 60350-1. Questi valori sono determinati in condizioni di carico standard con funzioni di riscaldatore inferiore-superiore o di riscaldamento con ventola (se presente).

La classe di efficienza energetica è stabilita secondo i criteri di priorità che seguono a seconda della presenza o meno nel prodotto delle relative funzioni. 1-Cottura con eco-ventola, 2- Cottura turbo lenta, 3- Cottura turbo, 4- Riscaldamento inferiore/superiore con ventola, 5-Riscaldamento superiore e inferiore.

** Vedere *Installazione*, pagina 12.



Le specifiche tecniche potrebbero essere modificate senza preavviso per migliorare la qualità del prodotto.



Le figure in questo manuale sono schematiche e potrebbero non corrispondere esattamente al prodotto.



I valori dichiarati sulle etichette del prodotto o nella documentazione che lo accompagna si ottengono in condizioni di laboratorio secondo gli standard relativi. A seconda delle condizioni di funzionamento e ambientali del prodotto, questi valori potrebbero variare.

3 Installazione

Il prodotto deve essere installato da una persona qualificata secondo i regolamenti in vigore. Altrimenti la garanzia non sarà valida. Il produttore non sarà considerato responsabile dei danni derivanti da procedure eseguite da persone non autorizzate e potrebbe considerare non valida la garanzia.



La preparazione della posizione e l'installazione elettrica del per il prodotto è responsabilità del cliente.



PERICOLO:

Il prodotto deve essere installato secondo i regolamenti locali per il gas e/o elettrici.



PERICOLO:

Prima dell'installazione, controllare visivamente se il prodotto presenta difetti. Se è così, non installarlo. Prodotti danneggiati provocano rischi per la sicurezza.

Prima della installazione

L'apparecchio è destinato ad essere installato in alloggiamenti da cucina disponibili in commercio. Bisogna porre un dispositivo di sicurezza tra l'apparecchio e le pareti e i mobili della cucina. Vedere la figura (valori in mm).

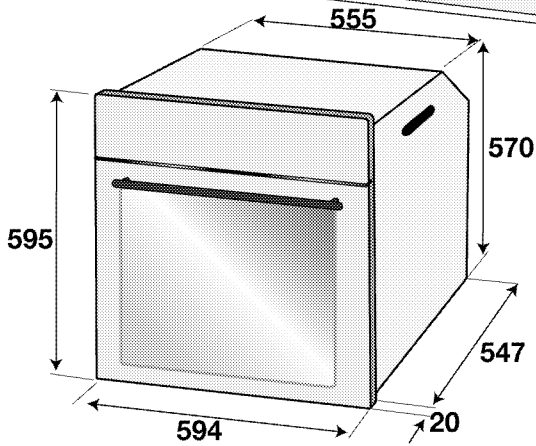
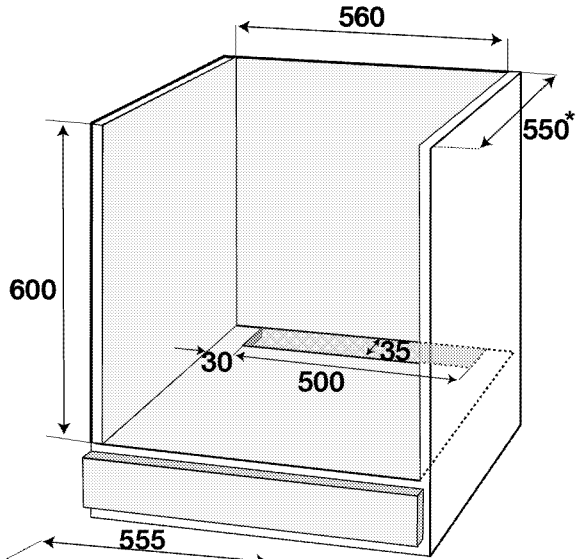
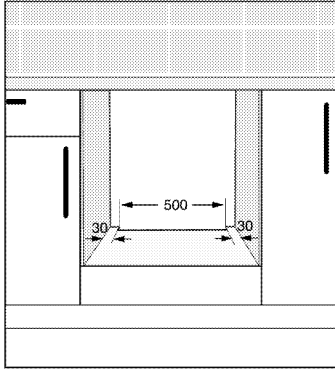
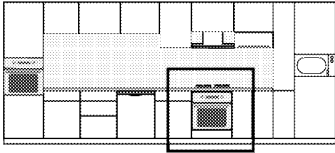
- Superfici, laminati sintetici e adesivi usati devono essere resistenti al calore (100 °C minimo).
- Gli alloggiamenti da cucina devono essere a livello uniforme e fissi.
- Se c'è un cassetto sotto al forno, bisogna installare un ripiano tra il forno e il cassetto.
- Trasportare l'apparecchio con almeno due persone.
- Tenere il forno dalle aperture per maneggiarlo su entrambi i lati al fine di spostarlo.
- Prima di installare il prodotto, rimuovere tutti i materiali e i documenti all'interno.
- I mobili della cucina devono essere conformi alle dimensioni indicate nella figura seguente. Nella parte posteriore del mobile della cucina, deve essere ritagliata un'apertura delle dimensioni indicate nella figura seguente per garantire una ventilazione sufficiente.



Non installare l'apparecchio vicino ad un frigorifero o congelatore. Il calore emesso dall'apparecchio porta ad un accresciuto consumo energetico da parte delle unità di raffreddamento.



Non usare sportello e/o maniglia per portare o spostare il prodotto.



* min.



PERICOLO:

Il cavo di alimentazione non deve essere schiacciato, piegato o bloccato né deve venire in contatto con le parti calde dell'apparecchio. Un cavo di alimentazione danneggiato deve essere sostituito da un elettricista qualificato. Altrimenti c'è rischio di shock elettrico, cortocircuito o incendio!

- Il collegamento deve essere conforme ai regolamenti nazionali.
- I dati sull'alimentazione di rete devono corrispondere ai dati specificati sull'etichetta con il tipo dell'unità. Aprire lo sportello anteriore per vedere l'etichetta con il tipo.
- Il cavo di alimentazione dell'unità deve essere conforme ai valori della tabella "Specifiche tecniche".



PERICOLO:

Prima di cominciare un lavoro sull'installazione elettrica, scollegare il prodotto dall'alimentazione di rete. C'è il rischio di shock elettrico!

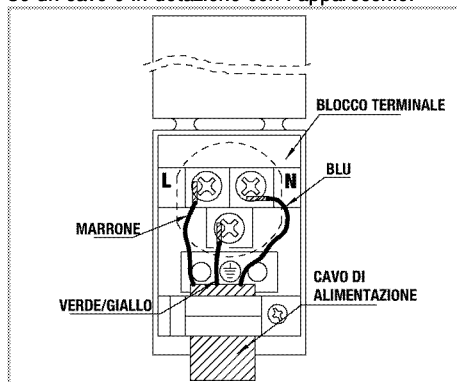
Collegamento del cavo di alimentazione





Mentre si esegue il cablaggio, bisogna applicare le normative nazionali/locali ed utilizzare la linea/uscita per la presa e la spina appropriate per il forno. Se i limiti di alimentazione dell'apparecchio sono al di fuori della capacità di spina e uscita/linea della presa, l'apparecchio deve essere collegato direttamente attraverso una installazione elettrica fissa senza utilizzare spina e uscita/linea della presa.

1. Se non è possibile scollegare tutti i poli dell'alimentazione, deve essere collegata un'unità di disconnessione con almeno 3 mm di distanza di contatto (fusibili, interruttori interruttori di sicurezza della linea, contattori) e tutti i poli di questa disconnessione devono essere vicini (ma non sopra) all'apparecchio secondo le direttive IEE. La mancata osservanza di queste istruzioni può provocare problemi operativi e rendere non valida la garanzia dell'apparecchio.
Si consiglia una protezione aggiuntiva da parte di un interruttore di circuito per la corrente residua.

Se un cavo è in dotazione con l'apparecchio:

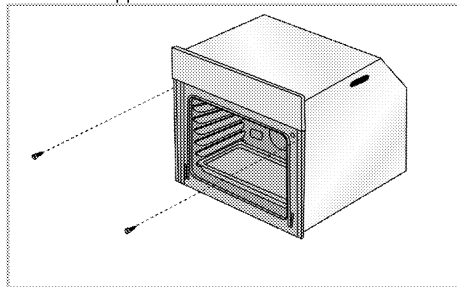


2. **Per il collegamento a fase singola**, collegare i cavi come indicato di seguito:

- Cavo marrone/nero = L (Fase)
 - Cavo blu/grigio = N (Neutro)
 - Cavo verde/giallo = (E)  (messa a terra)
- » 0
- Cavo grigio/nero = L (Fase)
 - Cavo blu/marrone = N (Neutro)
 - Cavo verde/giallo = (E)  (messa a terra)

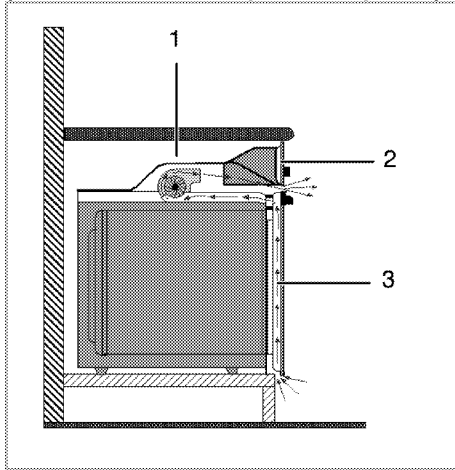
Installazione dell'unità

1. Far scorrere il forno nell'alloggiamento, allineare ed assicurare mentre allo stesso tempo ci si accerta che il cavo di alimentazione non è rotto e/o intrappolato.



Assicurare il forno con 2 viti come illustrato. Dopo l'installazione, assicurarsi che le viti siano sufficientemente strette e che il forno non si muova. Il forno potrebbe ribaltarsi durante l'utilizzo se non installato secondo le istruzioni e se le viti non sono sufficientemente strette.

**Per prodotti dotati di ventola di raffreddamento
(Potrebbe non essere sul prodotto acquistato).**



- 1 Ventola di raffreddamento
2 Pannello di controllo
3 Sportello

La ventola di raffreddamento integrata raffredda sia l'alloggiamento incassato che la parte anteriore dell'unità.



La ventola di raffreddamento continua a funzionare per 20-30 minuti ancora dopo che il forno è stato spento.

Se si è cucinato programmando il timer del forno, anche la ventola per il raffreddamento si disattiva alla fine del tempo di cottura, con tutte le altre funzioni.

Controllo finale

1. Funzionamento dell'apparecchio
2. Controllare le funzioni.

Smaltimento di vecchi prodotti

- Conservare il cartone originale del prodotto e trasportare il prodotto in esso. Seguire le istruzioni sul cartone. Se non si ha il cartone originale, imballare il prodotto nella carta con le bolle o in un cartone spesso e assicurarlo con nastro adesivo.
- Per evitare che il grill metallico e il vassoio all'interno del forno danneggino lo sportello del forno, mettere una striscia di cartone sull'interno dello sportello in modo che si allinei con la posizione dei vassoi. Attaccare con del nastro adesivo lo sportello del forno alle pareti laterali.
- Non usare sportello o maniglia per sollevare o spostare il prodotto.



Non mettere oggetti sull'apparecchio e spostarlo in posizione verticale.



Controllare l'aspetto generale del prodotto per eventuali danni che potrebbero essersi verificati durante il trasporto.

4 Preparazioni

Consigli per il risparmio energetico

Le informazioni che seguono aiutano ad usare l'apparecchio in modo ecologico e a risparmiare energia:

- Usare coperchi di colori scuri e smaltati, poiché la trasmissione del calore è migliore.
- Quando si cucinano gli alimenti, eseguire un'operazione di preriscaldamento se è consigliato nel manuale utente o nelle istruzioni della cottura.
- Non aprire lo sportello del forno di frequente durante la cottura.
- Cercare di cucinare più di un piatto alla volta nel forno laddove possibile. Si può cucinare mettendo due contenitori per la cottura sul grill metallico.
- Cucinare più di un piatto uno dopo l'altro. Il forno è già caldo.
- Si può risparmiare energia spegnendo il forno alcuni minuti prima della fine del tempo di cottura. Non aprire lo sportello del forno.
- Scongelare gli alimenti congelati prima di cuocerli.

Uso iniziale

Prima pulizia del prodotto



La superficie può danneggiarsi a causa di alcuni detersivi o materiali di pulizia.

Non usare detersivi aggressivi, polvere/creme pulenti o oggetti taglienti durante la pulizia.

1. Rimuovere tutti i materiali di imballaggio.
2. Pulire le superfici del prodotto con un panno o una spugna umidi e asciugare con un panno.

Riscaldamento iniziale

Riscaldare il prodotto per circa 30 minuti e poi spegnerlo. Così i residui del prodotto o gli strati si bruciano e si rimuovono.



ATTENZIONE

Le superfici calde provocano ustioni! Il prodotto può diventare caldo durante l'uso. Non toccare mai i bruciatori caldi, le sezioni interne del forno, riscaldatori, ecc. Tenere lontani i bambini. Usare sempre guanti resistenti al calore quando si mettono o si rimuovono i piatti nel/dal forno caldo.

Forno elettrico

1. Estrarre tutti i vassoi per la cottura a forno e il grill metallico dal forno.
2. Chiudere lo sportello del forno.
3. Selezionare la posizione Static.
4. Selezionare la potenza più alta del grill; vedere *Come utilizzare il forno elettrico, pagina 18*.
5. Utilizzare il forno per circa 30 minuti.
6. Spegnerne il forno; vedere *Come utilizzare il forno elettrico, pagina 18*

Forno con grill

1. Estrarre tutti i vassoi per la cottura a forno e il grill metallico dal forno.
2. Chiudere lo sportello del forno.
3. Selezionare la potenza più alta del grill; vedere *Come utilizzare il grill, pagina 22*.
4. Utilizzare il forno per circa 30 minuti.
5. Spegnerne il grill; vedere *Come utilizzare il grill, pagina 22*



Durante il primo funzionamento, per un paio d'ore, è possibile che siano emessi odori e fumo. È abbastanza normale. Assicurarsi che l'ambiente sia ben ventilato per rimuovere fumo e odori. Evitare di inalare direttamente fumo e odori emessi.

5 Come utilizzare il forno

Informazioni generali su cottura al forno, cottura arrosto e con grill



ATTENZIONE

Le superfici calde provocano ustioni! Il prodotto può diventare caldo durante l'uso. Non toccare mai i bruciatori caldi, le sezioni interne del forno, riscaldatori, ecc. Tenere lontani i bambini. Usare sempre guanti resistenti al calore quando si mettono o si rimuovono i piatti nel/dal forno caldo.



PERICOLO:

Prestare attenzione quando si apre lo sportello del forno perché potrebbe fuoriuscire vapore. Il vapore in uscita può ustionare mani, volto e/o occhi.

Suggerimenti per la cottura al forno

- Usare piatti in metallo con adeguato rivestimento antiaderente o contenitori in alluminio o stampi in silicone resistenti al calore.
- Usare al meglio lo spazio della rastrelliera.
- Mettere lo stampo da forno al centro della rastrelliera.
- Selezionare la posizione corretta per la rastrelliera prima di accendere forno o grill. Non cambiare la posizione della rastrelliera quando il forno è caldo.
- Tenere lo sportello del forno chiuso.

Suggerimenti per l'arrosto

- Trattare pollo e tacchino interi, pezzi grandi di carne con condimenti come succo di limone e pepe nero prima della cottura migliora la prestazione di cottura.
- Ci vogliono circa 15-30 minuti in più per arrostitre la carne con osso rispetto alla cottura arrosto di carne della stessa dimensione ma senza osso.
- Ogni centimetro di spessore della carne richiede circa 4-5 minuti di cottura.
- Lasciare la carne nel forno per circa 10 minuti dopo il periodo di cottura. Il succo si distribuisce meglio per tutto l'arrosto e non fuoriesce quando si taglia la carne.
- Il pesce deve essere posto sulla rastrelliera centrale o inferiore in un piatto resistente al calore.

Suggerimenti per la cottura con grill

Quando carne, pesce e pollame sono cotti con grill, subito si rosolano, hanno una piacevole crosta e non

restano secchi. Parti sottili, spiedini di carne e salsicce sono particolarmente adatti per la cottura con grill, così come verdure con alto contenuto di acqua, come pomodori e cipolle.

- Distribuire i pezzi da cuocere con grill sul grill metallico o nel vassoio per cottura al forno con il grill metallico posto in modo tale che lo spazio coperto non superi la dimensione del riscaldatore.
- Far scorrere il grill metallico o il vassoio per la cottura al forno al livello desiderato nel forno. Se si cuoce al grill sul grill metallico, far scorrere il vassoio per la cottura al forno sulla rastrelliera inferiore per raccogliere i grassi. Aggiungere dell'acqua nel vassoio per la cottura al forno per una pulizia facile.

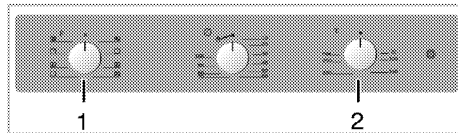


Gli alimenti che non sono adatti alla cottura al grill rappresentano un rischio di incendio. Usare solo alimenti per cottura con grill adatti al calore intenso del grill.

Non mettere il cibo troppo lontano sul retro del grill. Questa è l'area più calda e gli alimenti grassi potrebbero prendere fuoco.

Come utilizzare il forno elettrico

Selezionare temperatura e modalità di funzionamento



1 Manopola funzione

2 Manopola termostato

1. Impostare il timer del forno al tempo di cottura desiderato; vedere *Uso dell'orologio del forno*, pagina 20
2. Impostare la manopola funzione sulla modalità operativa desiderata.
3. Impostare la manopola Temperature (temperatura) sulla temperatura desiderata.

» Il forno si riscalda fino alla temperatura regolata e la conserva. Durante il riscaldamento, la spia della temperatura resta accesa.

Spegnimento del forno elettrico

Portare il timer del forno in posizione off.



Quando il timer è impostato su un certo orario, si disattiva automaticamente; vedere *Usa dell'orologio del forno, pagina 20*

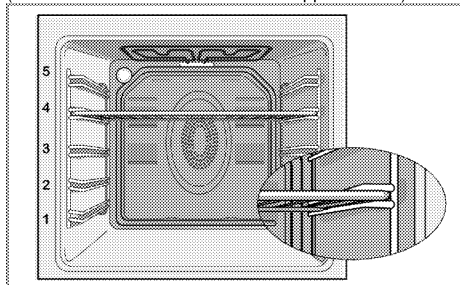
Portare manopola funzione e manopola temperature (temperatura) in posizione off (superiore).

Posizioni della rastrelliera (solo modelli con grill metallico)

È importante posizionare il grill metallico in modo corretto sulla rastrelliera metallica. Il grill metallico deve essere inserito tra le rastrelliere metalliche, come illustrato in figura.

Non lasciare che il grill metallico poggi sulla parete posteriore del forno. Far scorrere il grill metallico verso la sezione anteriore della rastrelliera e posizionarlo con l'aiuto dello sportello per ottenere una buona prestazione del grill.

(Varia a seconda del modello dell'apparecchio.)



Modalità di funzionamento

L'ordine delle modalità di funzionamento qui mostrato può essere diverso da quello della propria unità.

Riscaldamento superiore e inferiore



Il riscaldamento superiore e inferiore è in uso. Gli alimenti sono riscaldati contemporaneamente da sopra e da sotto. Per esempio, questo è adatto per torte, dolci o torte e alimenti in casseruola negli stampi da forno. Cucinare con un solo vassoio.

Bottom heating (riscaldamento inferiore)



Solo il riscaldamento inferiore è in funzione. Si adatta a pizza e al successivo rosolare di alimenti dalla parte inferiore.



Questa funzione deve essere utilizzata anche per una facile pulizia con vapore.

Riscaldamento inferiore/superiore con ventola



Il riscaldamento inferiore, il riscaldamento inferiore con ventola (nella parete posteriore) sono attivi. L'aria calda è rapidamente distribuita in modo uniforme in tutto il forno mediante una ventola. Cucinare con un solo vassoio.

Funzionamento con ventola



Il forno non è riscaldato. Solo la ventola (nella parete posteriore) è in funzione. Gli alimenti granulosi congelati sono scongelati lentamente a temperatura ambiente e gli alimenti cotti si raffreddano.

Fan Heating (riscaldamento ventola)



Il riscaldamento assistito da ventola (nella parete posteriore) è in funzione. L'aria calda è rapidamente distribuita in modo uniforme in tutto il forno mediante una ventola. Nella maggior parte dei casi, non è necessario il preriscaldamento. Adatto alla cottura di alimenti su diversi livelli della rastrelliera. Adatto per cucinare con vassoi multipli. Questa funzione deve essere utilizzata anche per una facile pulizia con vapore.

Funzione "3D"



Il riscaldamento superiore, il riscaldamento inferiore e il riscaldamento assistito da ventola (nella parete posteriore) sono attivi. Gli alimenti sono cotti in modo uniforme e rapidamente. Cucinare con un solo vassoio.

Full grill (grill completo)



Il grill grande sul soffitto del forno è attivo. Si possono cuocere con grill grosse quantità di carne.

- Mettere porzioni grandi o medie nella posizione corretta sulla rastrelliera sotto il riscaldatore del grill.
- Impostare la temperatura al livello massimo.
- Ruotare il cibo dopo metà tempo di cottura.

Grill+Fan (grill+ventola)



L'effetto del grill non è forte come in Full Grill (grill completo)

- Mettere porzioni piccole o medie nella posizione corretta sul ripiano sotto il riscaldatore del grill.
- Impostare la temperatura desiderata.
- Ruotare il cibo dopo metà tempo di cottura.

» Il forno si riscalda fino alla temperatura preimpostata e conserva questa temperatura fino alla fine del tempo di cottura selezionato.

4. Una volta che il tempo di cottura è finito, la manopola Time Setting (impostazione orario) ruota automaticamente in senso antiorario. Si sente un suono di avvertenza che indica che l'orario impostato è finito e l'alimentazione viene tagliata.



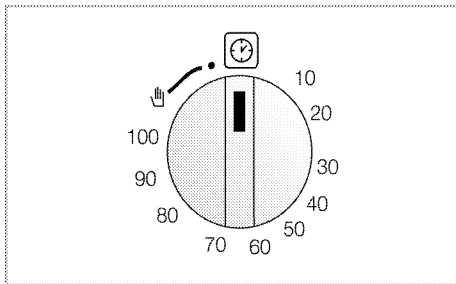
Se non si vuole usare la funzione timer, ruotare la manopola in senso antiorario fino al simbolo con la mano.

5. Spegnerne il forno con la manopola Time Setting (impostazione orario) e la manopola funzione.

Spegnimento del forno prima dell'ora impostata

1. Ruotare la manopola Time Adjustment (regolazione orario) in senso antiorario finché si ferma.
2. Spegnerne il forno con la manopola funzione e la manopola Temperature (temperatura).

Uso dell'orologio del forno



Avvio della cottura



Per azionare il forno, bisogna selezionare la modalità di cottura e la temperatura desiderata e impostare l'ora. Altrimenti, il forno non funziona.

1. Ruotare la manopola Time Adjustment (regolazione orario) in senso orario per impostare l'ora di cottura.
2. Mettere il piatto nel forno.
3. Selezionare modalità di funzionamento e temperatura; vedere. *Come utilizzare il forno elettrico, pagina 18.*

Tabella tempi di cottura



I tempi in questo diagramma devono essere considerati una guida. I tempi possono variare a causa di temperatura degli alimenti, spessore, tipo e preferenze personali di cottura.

Cottura al forno e arrosto



La prima rastrelliera del forno è quella di fondo.

Piatto	Numero livello di cottura		Posizione rastrelliera	Temperatura (°C)	Tempo di cottura (appross. in min.)
Dolci su vassoio*	Un livello		3	175	25 ... 30
Dolci nello stampo*	Un livello		2	180	40 ... 50
Dolci in carta*	Un livello		3	175	25 ... 30
	2 livelli		1 - 5	175	30 ... 40
	3 livelli		1 - 3 - 5	180	45 ... 55
Pan di Spagna*	Un livello		3	200	5 ... 10
	2 livelli		1 - 5	175	20 ... 30
Biscotti*	Un livello		3	175	25 ... 30
	2 livelli		1 - 5	170 ... 190	30 ... 40
	3 livelli		1 - 3 - 5	175	35 ... 45
Pasta lievitata*	Un livello		2	200	30 ... 40
	2 livelli		1 - 5	200	45 ... 55
	3 livelli		1 - 3 - 5	200	55 ... 65
Pasta frolla*	Un livello		2	200	25 ... 35
	2 livelli		1 - 5	200	35 ... 45
	3 livelli		1 - 3 - 5	190	45 ... 55
Lievitati*	Un livello		2	200	35 ... 45
	2 livelli		1 - 3	190	35 ... 45
Lasagna*	Un livello		2 - 3	200	30 ... 40
Pizza*	Un livello		2	200 ... 220	15 ... 20
Bistecca (intera) / Arrosto	Un livello		3	25 min. 250/max. poi 180 ... 190	100 ... 120
Cosciotto di agnello (in casseruola)	Un livello		3	25 min. 250/max. poi 190	70 ... 90
	Un livello		3	25 min. 250/max. poi 190	60 ... 80
Pollo arrosto	Un livello		2	15 min. 250/max. poi 180 ... 190	55 ... 65
	Un livello		2	15 min. 250/max. poi 180 ... 190	55 ... 65
Tacchino (5,5 kg)	Un livello		1	25 min. 250/max. poi 180 ... 190	150 ... 210
	Un livello		1	25 min. 250/max. poi 180 ... 190	150 ... 210
Pesce	Un livello		3	200	20 ... 30
	Un livello		3	200	20 ... 30

Quando si cucina con 2 vassoi allo stesso tempo, mettere quello profondo sulla rastrelliera superiore e l'altro sulla rastrelliera inferiore.
* Si consiglia il preriscaldamento per tutti gli alimenti.

(**) Per i processi di cottura che richiedono pre-riscaldamento, pre-riscaldare il forno all'inizio del processo finché raggiunge la temperatura impostata.

Suggerimenti per la cottura al forno dei dolci

- Se il dolce è troppo asciutto, aumentare la temperatura di circa 10 e diminuire il tempo di cottura.
- Se il dolce è umido, usare meno liquido o abbassare la temperatura di 10°C.

- Se il dolce è troppo scuro sopra, metterlo su una rastrelliera inferiore, abbassare la temperatura e aumentare il tempo di cottura.
- Se è cotto bene all'interno ma appiccicoso all'esterno, usare meno liquido, abbassare la temperatura e aumentare il tempo di cottura.

Consigli per la cottura al forno della pasta

- Se la pasta è troppo asciutta, aumentare la temperatura di circa 10 e diminuire il tempo di

cottura. Ammorbidire gli strati di pasta con una crema fatta di latte, olio, uova e yogurt.

- Se la pasta impiega troppo tempo a cuocersi al forno, prestare attenzione al fatto che lo spessore della pasta preparata non superi la profondità del vassoio.
- Se il lato superiore della pasta diventa marrone ma la parte inferiore non è cotta, assicurarsi che la quantità di crema usata per la pasta non sia troppa sul fondo della stessa. Cercare di distribuire la crema in modo uniforme tra gli strati e sugli stessi per una cottura uniforme.



Cuocere la pasta secondo la modalità e la temperatura date nella tabella di cottura. Se la parte inferiore non è ancora abbastanza cotta, usare un ripiano più basso la volta seguente.

Consigli per la cottura delle verdure

- Se il piatto di verdure si asciuga e diventa troppo secco, cuocerle in una padella con un coperchio invece che nel vassoio. I recipienti chiusi conservano i succhi del piatto.
- Se un piatto di verdure non si cuoce, bollire le verdure prima o prepararle prima come gli alimenti in scatola e metterle nel forno.

Come utilizzare il grill



ATTENZIONE

Chiudere lo sportello del forno durante la cottura con grill.

Le superfici calde possono provocare ustioni!

- Ruotare la manopola Time Adjustment (regolazione orario) in senso antiorario verso il simbolo a forma di mano durante la cottura con grill.

Accensione del grill

1. Ruotare la manopola funzione sul simbolo del grill desiderato.
 2. Poi selezionare la temperatura del grill come desiderato.
 3. Se necessario, eseguire un pre-riscaldamento per circa 5 minuti.
- » La spia della temperatura si accende.

Spegnimento del grill

1. Ruotare la manopola funzione in posizione Off (superiore).



Gli alimenti che non sono adatti alla cottura al grill rappresentano un rischio di incendio. Usare solo alimenti per cottura con grill adatti al calore intenso del grill.

Non mettere il cibo troppo lontano sul retro del grill. Questa è l'area più calda e gli alimenti grassi potrebbero prendere fuoco.

Tabella tempi di cottura per la cottura con grill

Cottura con grill elettrico

Alimenti	Posizione rastrelliera	Temperatura consigliata (°C)**	Tempo cottura grill (circa)
Pesce	4..5	250/max	20...25 min. [#]
Fettine di pollo	4...5	250/max	25...35 min.
Costolette di agnello	4..5	250/max	20...25 min.
Arrosti di manzo	4..5	250/max	25...30 min. [#]
Costolette di vitello	4..5	250/max	25...30 min. [#]
Tostare il pane *	4	250/max	1...3 min.

[#] a seconda dello spessore

*Pre-riscaldare per 5 minuti.

**Se non è possibile regolare la temperatura del grill del prodotto, il grill funzionerà alla temperatura massima.

6 Manutenzione e cura

Informazioni generali

La vita di servizio dell'apparecchio si allunga e problemi frequenti diminuiscono se l'apparecchio è pulito ad intervalli regolari.



PERICOLO:

Scollegare l'apparecchio dalla rete elettrica prima di avviare i lavori di manutenzione e pulizia.
C'è il rischio di shock elettrico!



PERICOLO:

Consentire all'apparecchio di raffreddarsi prima di pulirlo.
Le superfici calde possono provocare ustioni!

- Pulire completamente l'apparecchio dopo ogni uso. In questo modo sarà possibile rimuovere i residui di cottura con maggiore facilità, evitando così che questi residui brucino all'uso successivo dell'apparecchio.
- Non sono necessari agenti di pulizia speciali per la pulizia dell'apparecchio. Usare acqua calda con detersivo liquido, un panno morbido o una spugna per pulire l'apparecchio e asciugare con un panno asciutto.
- Assicurare sempre che il liquido in eccesso sia completamente asciugato dopo la pulizia e che tutti gli schizzi siano immediatamente asciugati.
- Non usare agenti di pulizia che contengono acido o cloro per pulire le superfici e la maniglia in acciaio inox. Usare un panno morbido con un detergente liquido (non abrasivo) per pulire queste parti, prestando attenzione a pulire in un'unica direzione.



La superficie può danneggiarsi a causa di alcuni detersivi o materiali di pulizia.
Non usare detersivi aggressivi, polvere/creme pulenti o oggetti taglienti durante la pulizia.



Non usare pulitori a vapore per pulire l'apparecchio poiché ciò potrebbe provocare uno shock elettrico.

Pulizia del pannello di controllo

Pulire pannello di controllo e le manopole con un panno umido e asciugare.



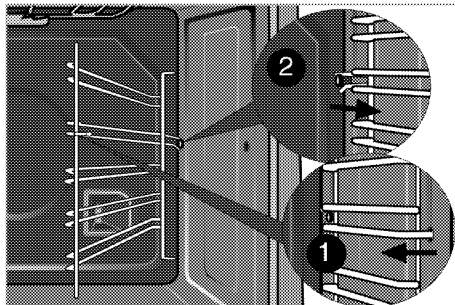
Se il prodotto è dotato di tasti/manopole, non rimuovere le manopole di controllo per pulire il pannello di controllo.
Il pannello di controllo può danneggiarsi!

Pulizia del forno

Per pulire la parete laterale

(Questa funzione è opzionale. Potrebbe non essere sul prodotto acquistato).

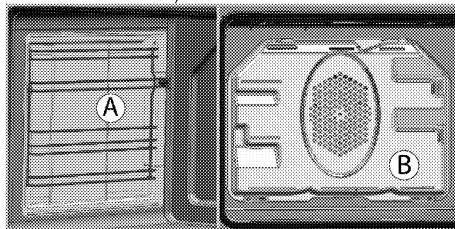
1. Rimuovere la sezione anteriore della rastrelliera laterale tirando nella direzione opposta alla parete laterale.
2. Rimuovere completamente la rastrelliera laterale tirando verso di sé.



Pareti catalitiche

(Questa funzione è opzionale. Potrebbe non essere sul prodotto acquistato).

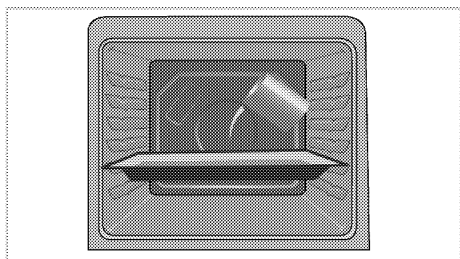
Le pareti laterali interne (A) e/o la parete posteriore (B) dell'apparecchio potrebbero essere rivestite di smalto catalitico. Le pareti catalitiche hanno un colore opaco chiaro e una superficie porosa. Le pareti catalitiche del forno non devono essere pulite. Le superfici porose delle pareti catalitiche sono pulite automaticamente assorbendo e convertendo l'olio versato (vapore e biossido di carbonio).



Facile pulizia con vapore

Assicura una pulizia facile poiché lo sporco (se non è troppo vecchio) viene ammorbidito dal vapore che si forma all'interno del forno e dalle gocce di acqua condensata sulle superfici interne del forno.

1. Rimuovere tutti gli accessori dal forno.
2. Versare 500 ml di acqua nel vassoio del forno e mettere il vassoio sul secondo ripiano del forno.



3. Impostare il forno in modalità facile pulizia con vapore e azionare a 100°C per 25 minuti.
4. Aprire lo sportello e pulire le superfici interne del forno con una spugna o un panno bagnati.
5. Usare acqua calda con detersivo liquido, un panno morbido o una spugna per pulire lo sporco resistente e asciugare con un panno asciutto.

Pulire lo sportello del forno

Per pulire lo sportello del forno, usare acqua calda con detersivo liquido, un panno morbido o una spugna per pulire l'apparecchio e asciugare con un panno asciutto.



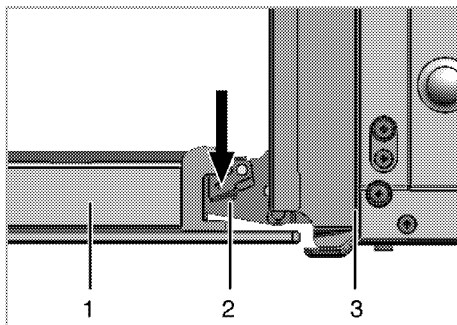
Non usare detersivi molto abrasivi o raschietti in metallo tagliente per la pulizia dello sportello del forno. Essi potrebbero graffiare la superficie e distruggere il vetro.



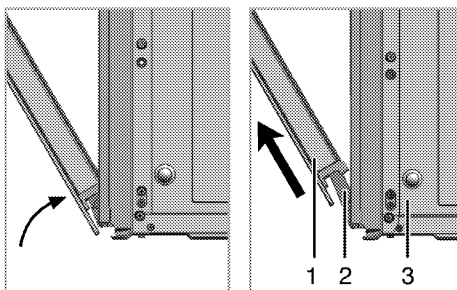
Il vetro interno dello sportello inferiore è rivestito con materiale facile da pulire. Non usare agenti pulenti abrasivi, raschietti duri in metallo, tamponi abrasivi o candeggina per pulire il coperchio di vetro poiché potrebbero graffiare la superficie. Questo potrebbe distruggere il materiale di rivestimento.

Rimozione dello sportello del forno.

1. Aprire lo sportello anteriore (1).
2. Aprire i morsetti dell'alloggiamento della cerniera (2) sul lato destro e su quello sinistro dello sportello anteriore premendoli verso il basso come illustrato nella figura.



- 1 Sportello anteriore
- 2 Cardine
- 3 Forno



3. Spostare lo sportello anteriore a metà.
4. Rimuovere lo sportello anteriore tirandolo verso l'alto per farlo uscire dai cardini destro e sinistro.



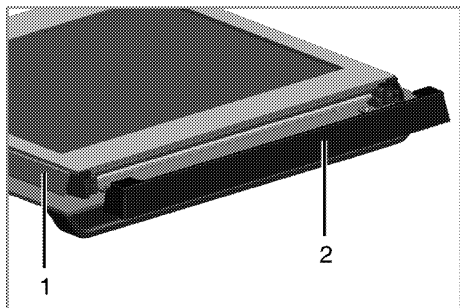
I punti eseguiti durante il processo di rimozione devono essere eseguiti al contrario per installare lo sportello. Non dimenticare di chiudere i morsetti dell'alloggiamento del cardine quando si reinstalla lo sportello.

Rimozione del vetro interno dello sportello

(Questa funzione è opzionale. Potrebbe non essere sul prodotto acquistato).

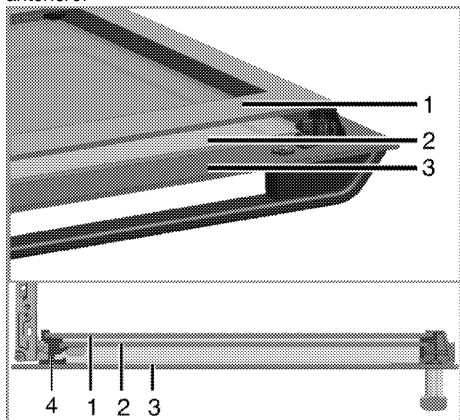
Il pannello interno in vetro dello sportello del forno può essere rimosso per la pulizia.

Aprire lo sportello del forno.



- 1 Struttura
- 2 Parte in plastica

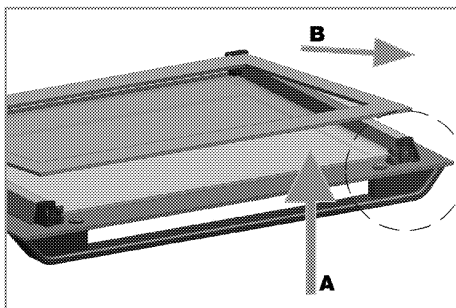
Tirare verso di sé e rimuovere la parte in plastica installata sulla sezione superiore dello sportello anteriore.



- 1 Pannello più interno in vetro
- 2 Pannello interno in vetro
- 3 Pannello esterno in vetro
- 4 Apertura in plastica pannello in vetro - Inferiore

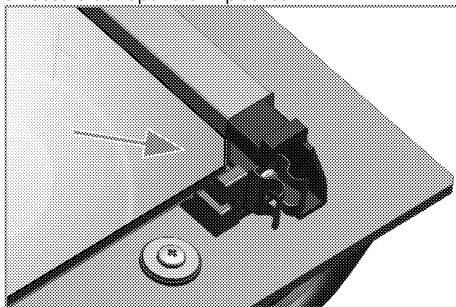
Come illustrato in figura, sollevare leggermente il pannello più interno in vetro (1) in direzione **A** e tirare in direzione **B**.

Ripetere questa stessa procedura per rimuovere il pannello interno in vetro (2).



Il primo punto per rimontare lo sportello è reinstallare il pannello interno in vetro (2).

Come illustrato in figura, mettere l'angolo smussato del pannello in vetro in modo che poggi sull'angolo smussato dell'apertura in plastica.



Il pannello interno in vetro (2) deve essere installato nell'apertura in plastica vicino al pannello più interno in vetro (1).

Quando si installa il pannello più interno in vetro (1), assicurarsi che il lato stampato del pannello sia rivolto verso il pannello interno in vetro.

La cosa importante è posizionare l'angolo inferiore del pannello interno in vetro nell'apertura in plastica inferiore.

Spingere la parte in plastica verso la struttura fino a sentire un "clic".

Sostituzione della lampadina del forno



PERICOLO:

Prima di sostituire la lampadina del forno, assicurarsi che l'apparecchio sia scollegato dalla rete e sia freddo per evitare il rischio di shock elettrico.

Le superfici calde possono provocare ustioni!



La lampadina del forno è una lampadina elettrica speciale che può resistere fino a 300 °C. Vedere *Specifiche tecniche, pagina 11* per dettagli. Le lampadine del forno possono essere acquistate presso l'agente autorizzato per l'assistenza.



La posizione della lampadine può variare dalla figura.



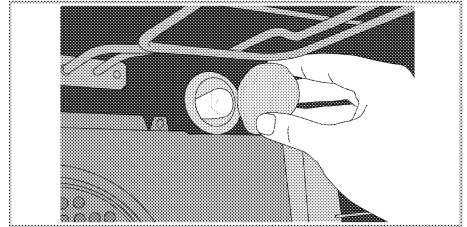
Le lampadine utilizzate in questo apparecchio non sono adatte per l'illuminazione di ambienti domestici. Lo scopo previsto di questa lampadina è aiutare l'utente a controllare gli alimenti.



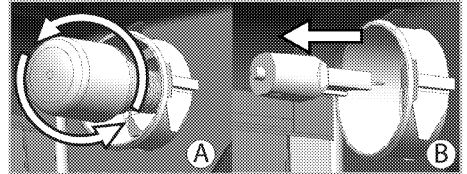
Le lampadine utilizzate in questo apparecchio devono sopportare condizioni fisiche estreme come temperature superiori a 50 °C.

Se il forno è dotato di una lampadina rotonda:

1. Scollegare il prodotto dalla rete.
2. Ruotare la copertura in vetro in senso orario per rimuoverla.



3. Se la lampadina del forno corrisponde al tipo (A) mostrato nella figura seguente, rimuoverla ruotando secondo le indicazioni e sostituirla. Se è di tipo (B), tirare e rimuoverla come indicato in figura, quindi sostituirla.



4. Installare il coperchio in vetro.

7 Ricerca e risoluzione dei problemi

Il forno emette vapore durante l'uso.

- Si tratta del normale vapore che si produce durante il funzionamento. >>> *Non è guasto.*

L'apparecchio emette rumori metallici durante riscaldamento e raffreddamento.

- Quando le parti di metallo si riscaldano, possono espandersi e provocare rumori. >>> *Non è guasto.*

L'apparecchio non funziona.

- Il fusibile di rete è difettoso o si è bloccato. >>> *Controllare i fusibili nella scatola dei fusibili. Se necessario, sostituirli o reimpostarli.*
- L'apparecchio non è collegato alla presa (di messa a terra). >>> *Controllare il collegamento della spina.*

La luce del forno non funziona.

- La lampadina del forno è difettosa. >>> *Sostituire la lampadina del forno.*
- L'alimentazione è tagliata. >>> *Controllare se c'è alimentazione. Controllare i fusibili nella scatola dei fusibili. Se necessario, sostituirli o reimpostarli.*

Il forno non riscalda.

- Potrebbe non essere impostato su una certa funzione e/o temperatura di cottura. >>> *Impostare il forno su una certa funzione e/o temperatura di cottura.*
- In modelli dotati di timer, il timer non è regolato. >>> *Regolare l'orario.*
(In prodotti con forno a microonde, il timer controlla solo il forno a microonde).
- L'alimentazione è tagliata. >>> *Controllare se c'è alimentazione. Controllare i fusibili nella scatola dei fusibili. Se necessario, sostituirli o reimpostarli.*

(In modelli dotati di timer) Il display dell'orologio lampeggia o il simbolo dell'orologio è acceso.

- Si è verificata una precedente assenza di gas. >>> *Regolare l'ora / Spegnerne l'apparecchio e riaccenderlo.*



Consultare l'agente autorizzato per l'assistenza o il rivenditore dove è stato acquistato l'apparecchio se non si riesce a risolvere il problema nonostante siano state implementate le soluzioni di questa sezione. Non cercare mai di riparare da soli un apparecchio difettoso.

