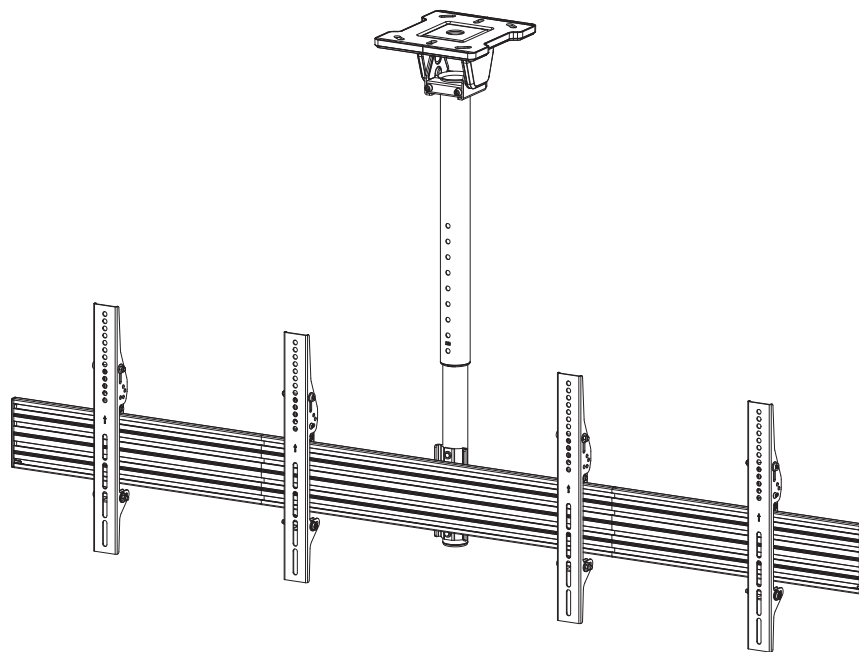


NEOMOUNTS PRO

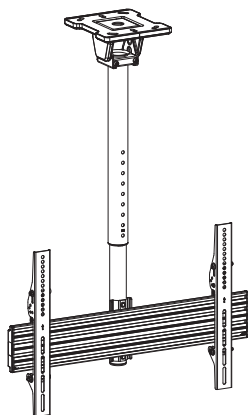
BY NEWSTAR



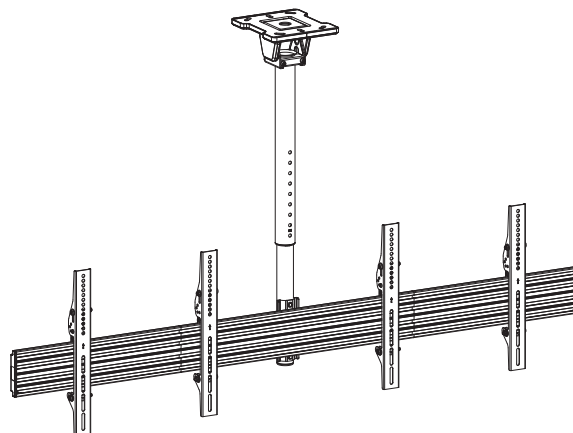
MENU BOARD CEILING MOUNT

This instruction is applicable to all the following models and related extended products

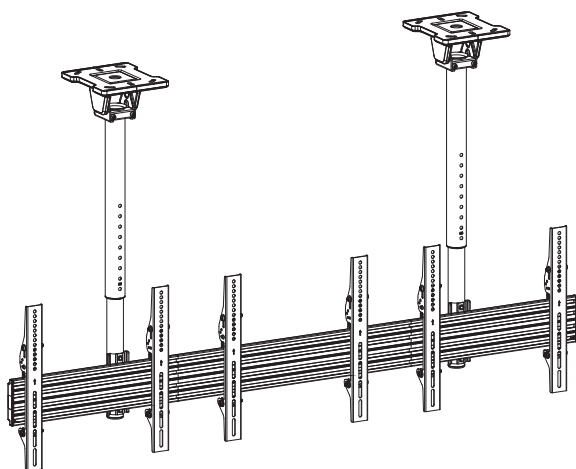
NMPRO-CMB1 (With tilt arms)



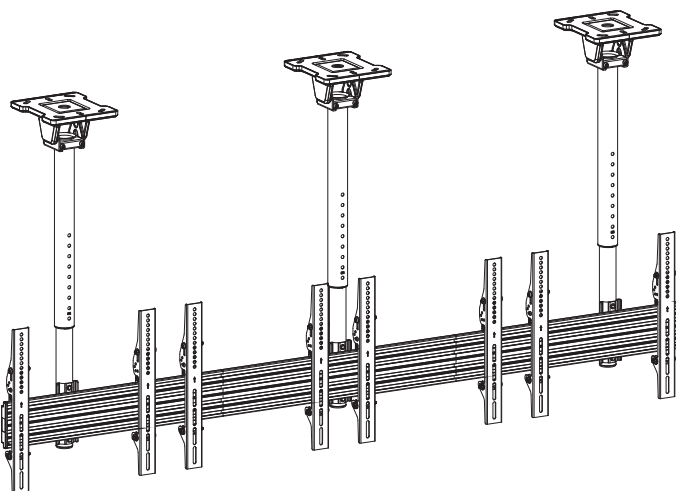
NMPRO-CMB2 (With tilt arms)



NMPRO-CMB3 (With tilt arms)



NMPRO-CMB4 (With tilt arms)



! WARNING

- Be sure to read this entire manual thoroughly and you fully understand all the instructions and warning before attempting to begin your installation.
- This products should only be installed by someone who has a basic knowledge of building constructio installations and fully undestnd these instrudtions.
- Always have someone assit you to lift and position your equipment.
- Tighten screws and bolts firmly, but do not over tighten. Over tightening can damage the item and greatly reduce their ability to hold.Please refer to suggested torque values where applicable in these instructions.

Parts list (NMPRO-CMB1)

A1 M5X15 X4	A2 M6X15 X4	A3 M8X15 X4	A4 Ø6XØ6.2X1.5 X4	X1	B1 M8X12 X5	B2 M8X50 X1	B3 M8X60 X2	B4 M6X85 Ø13XØ6.2X1.5 X2	B5 Ø16XØ8.2X1.5 X4	B6 X4	X1
C1 X1	C2 5mm X1	C3 X2	C4 Ø16XØ8.2X1.5 X4		C5 Lag bolt X4	C6 Anchor X4	X1	D1 X1	D2 680mm*1	D3 X1	
D4 X2		D5 X1		D6 X2		D7 M5 X2		D8 X2			

Parts list (NMPRO-CMB2)

A1 M5X15 X4	A2 M6X15 X4	A3 M8X15 X4	A4 Ø6XØ6.2X1.5 X4	X2	B1 M8X12 X5	B2 M8X50 X1	B3 M8X60 X2	B4 M6X85 Ø16XØ6.2X1.5 X2	B5 Ø13XØ8.2X1.5 X4	B6 X4	X1
C1 X1	C2 3&5mm X1	C3 X2	C4 Ø16XØ8.2X1.5 X4		C5 Lag bolt X4	C6 Anchor X4	X1	D1 X1	D2 1000mm*1+480mm*2	D3 X1	
D4 X4		D5 X1		D6 X2		D7 M5 X2		D8 X4		D9 X8	

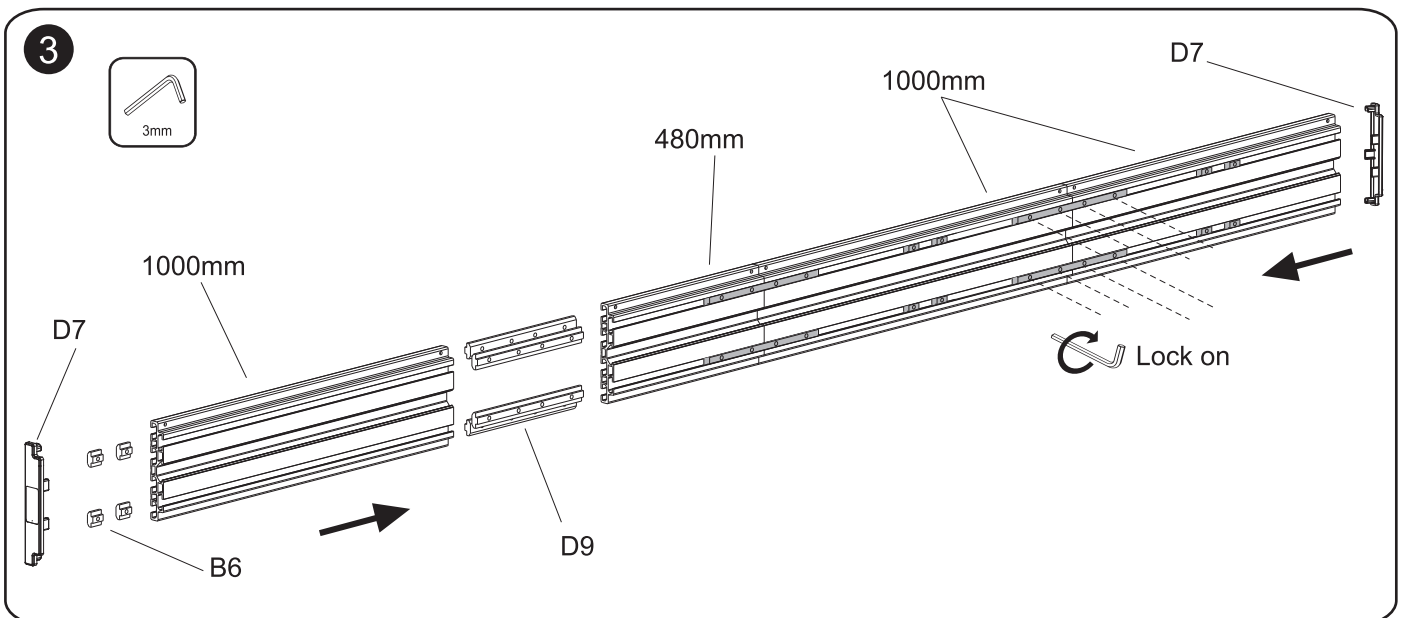
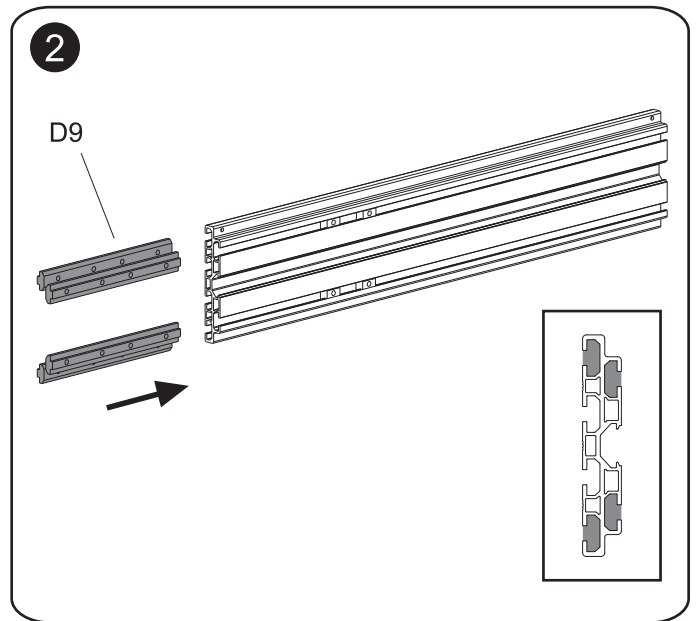
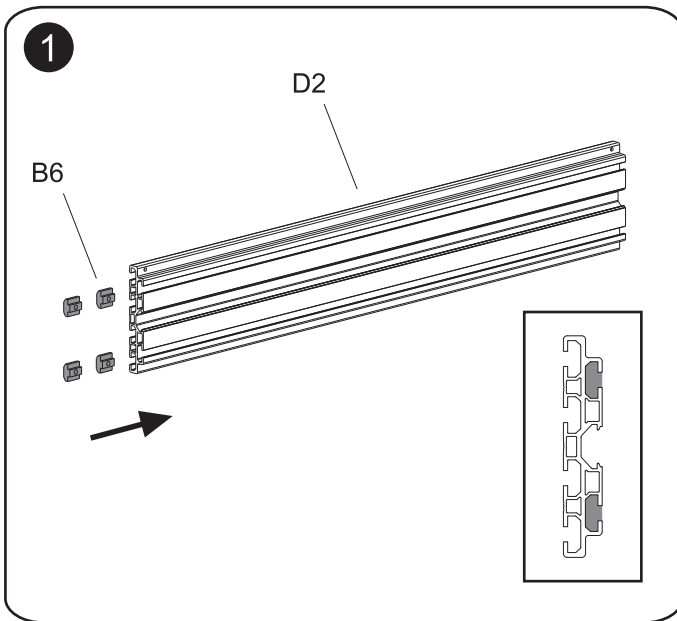
Parts list (NMPRO-CMB3)

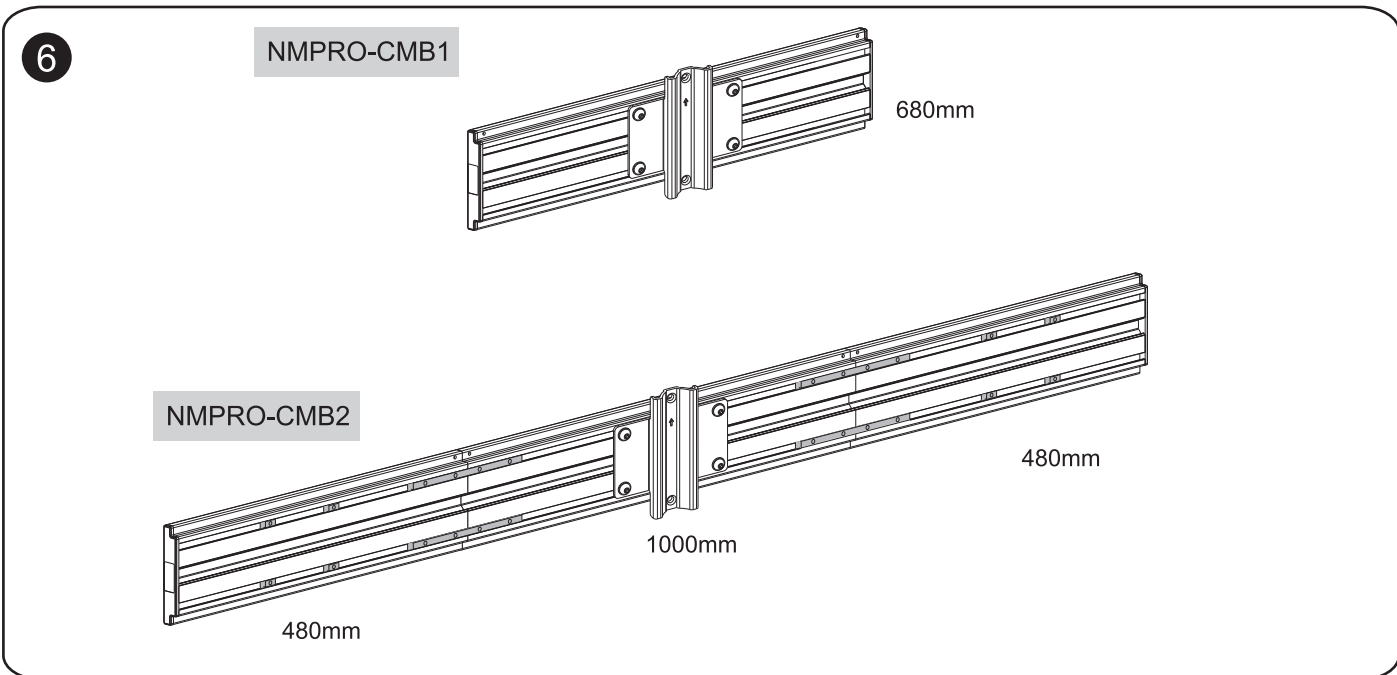
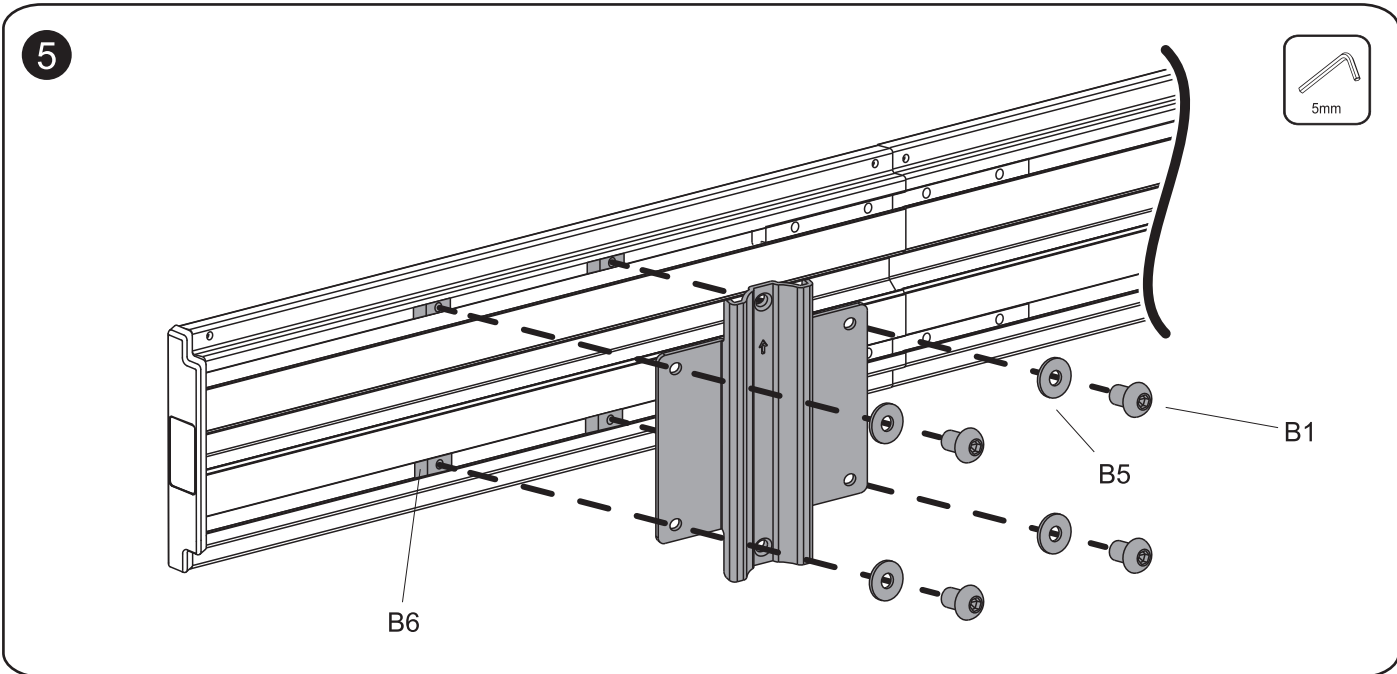
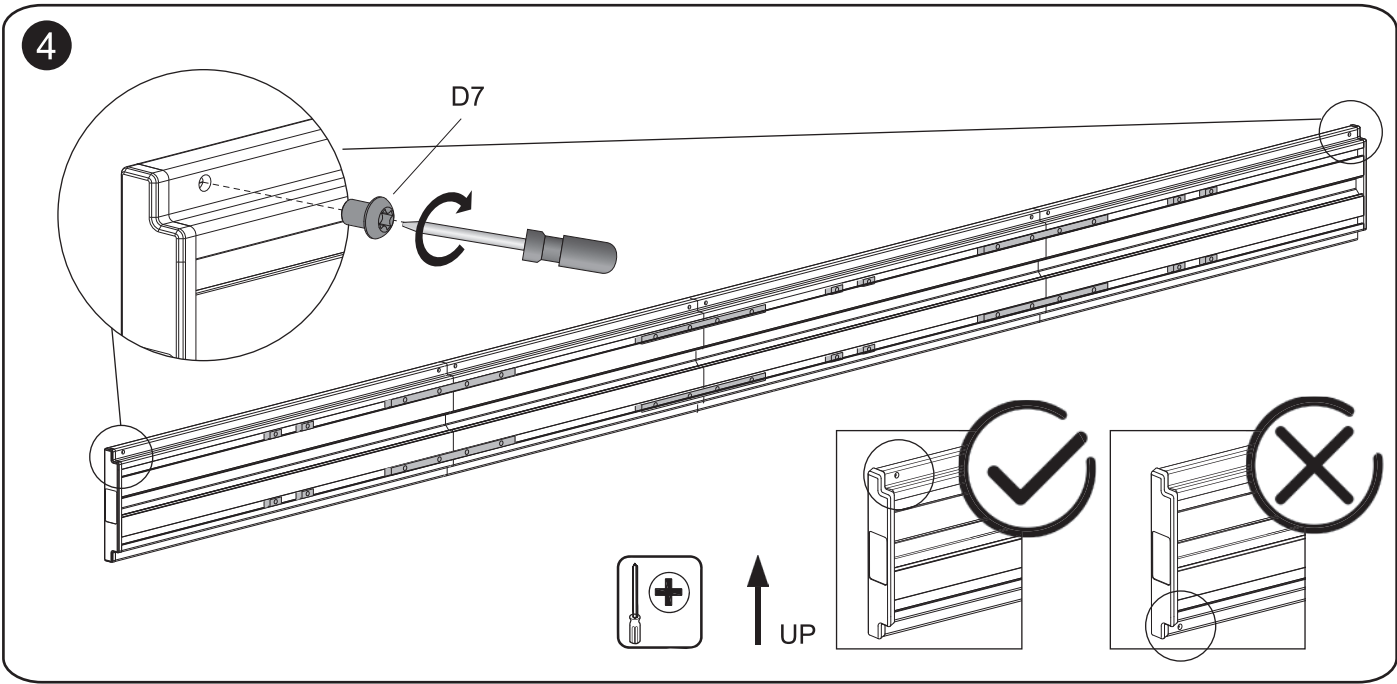
A1 M5X15 X4	A2 M6X15 X4	A3 M8X15 X4	A4 Ø6XØ6.2X1.5 X4	X3	B1 M8X12 X5	B2 M8X50 X1	B3 M8X60 X2	B4 M6X85 Ø13XØ6.2X1.5 X2	B5 Ø16XØ8.2X1.5 X4	B6 X4	X2
C1 X1	C2 3&5mm X1	C3 X2	C4 Ø16XØ8.2X1.5 X4		C5 Lag bolt X4	C6 Anchor X4	X2	D1 X2	D2 1000mm*3+480mm*1	D3 X2	
D4 X6		D5 X2		D6 X4		D7 M5 X2		D8 X6		D9 X12	

Parts list (NMPRO-CMB4)

A1 M5X15 X4	A2 M6X15 X4	A3 M8X15 X4	A4 Ø6XØ6.2X1.5 X4	X4	B1 M8X12 X5	B2 M8X50 X1	B3 M8X60 X2	B4 M6X85 Ø13XØ6.2X1.5 X2	B5 Ø16XØ8.2X1.5 X4	B6 X4	X3
C1 X1	C2 3&5mm X1	C3 X2	C4 Ø16XØ8.2X1.5 X4		C5 Lag bolt X4	C6 Anchor X4	X3	D1 X3	D2 1000mm*4+480mm*1	D3 X3	
D4 X8	D5 X3	D6 X6	D7 M5 X2	D8 X8	D9 X12						

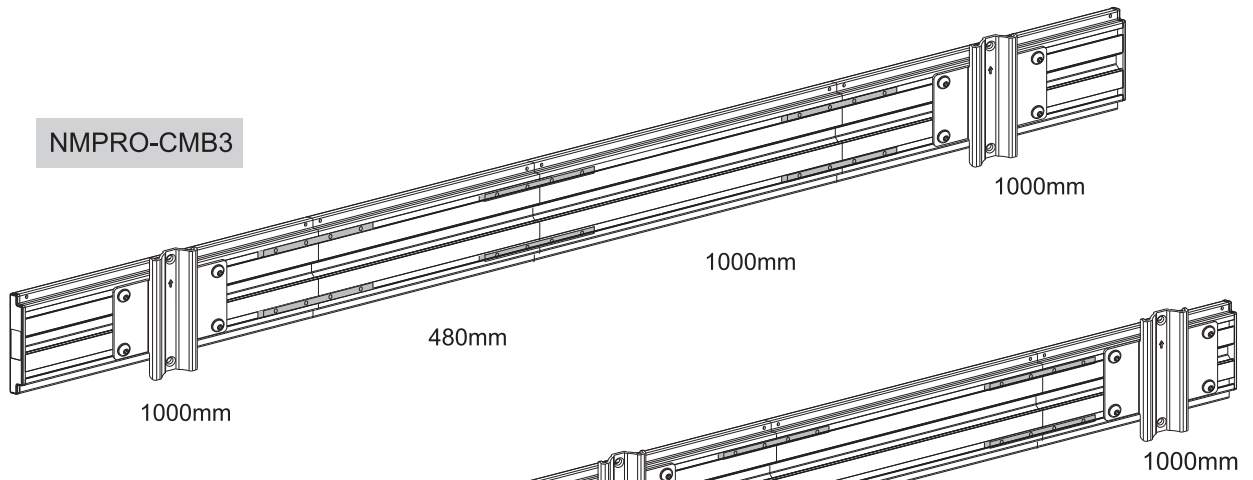
Installation



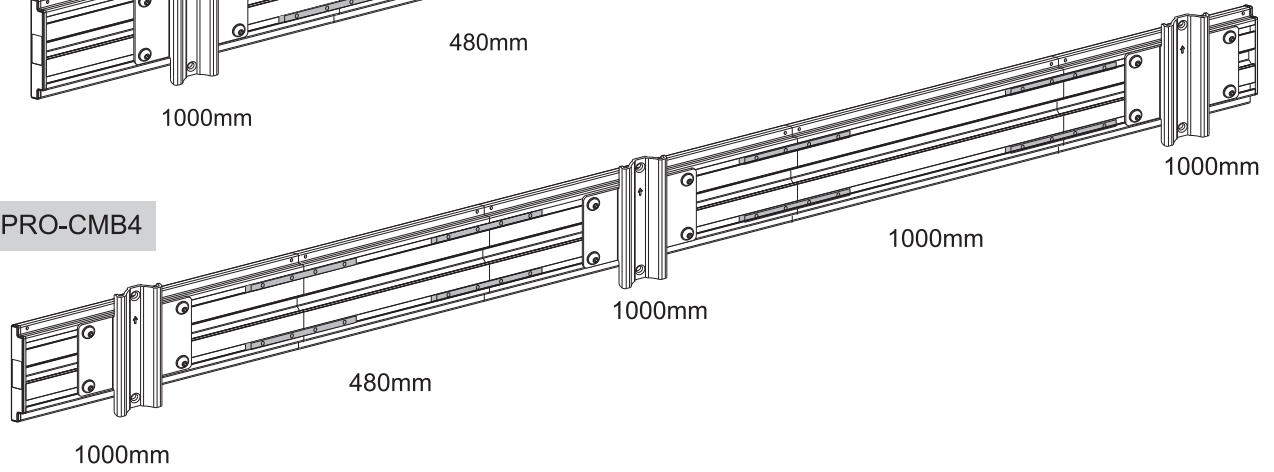


6

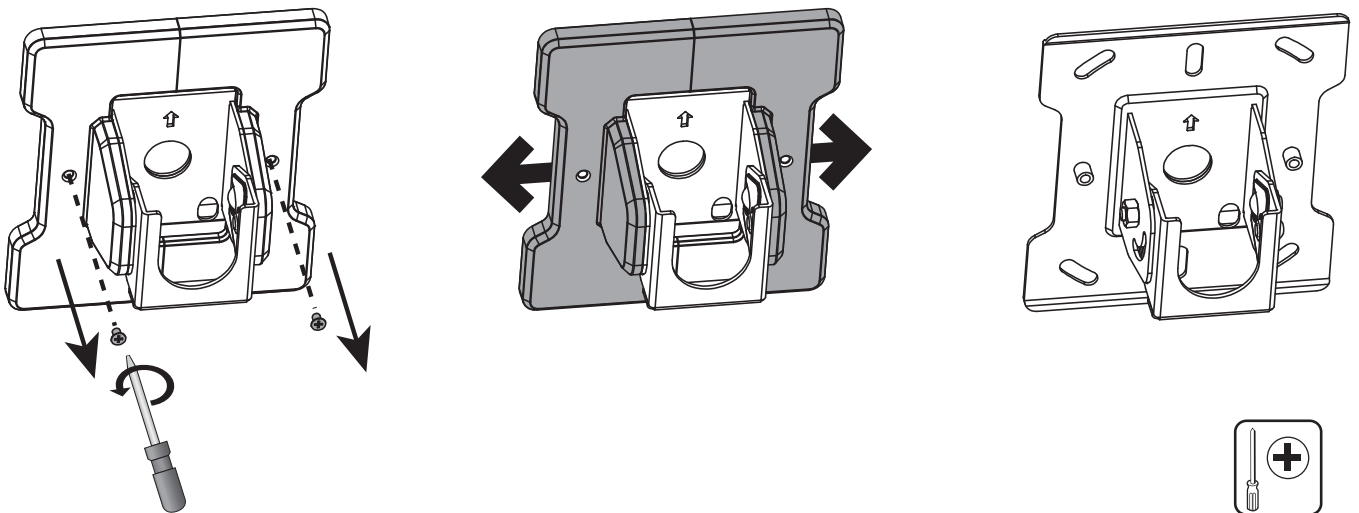
NMPRO-CMB3



NMPRO-CMB4

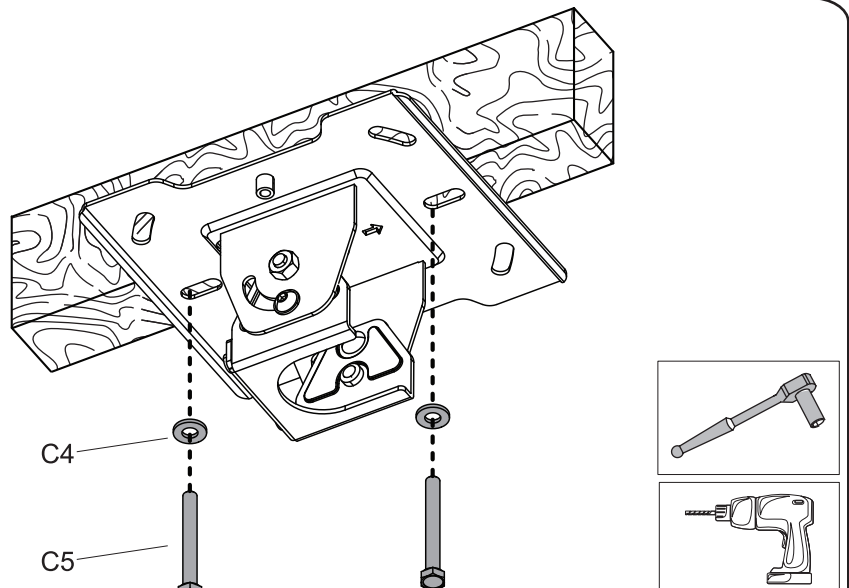
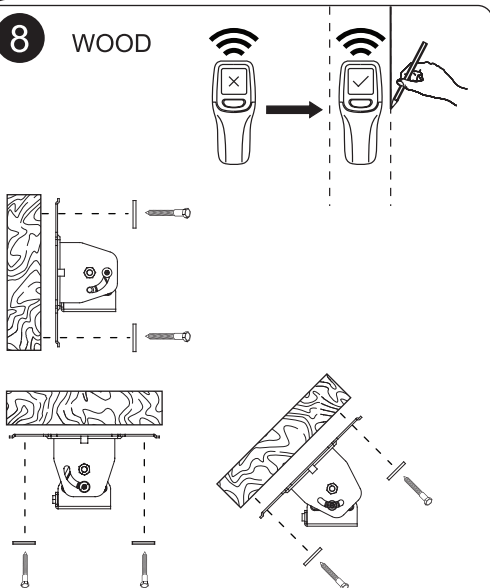


7

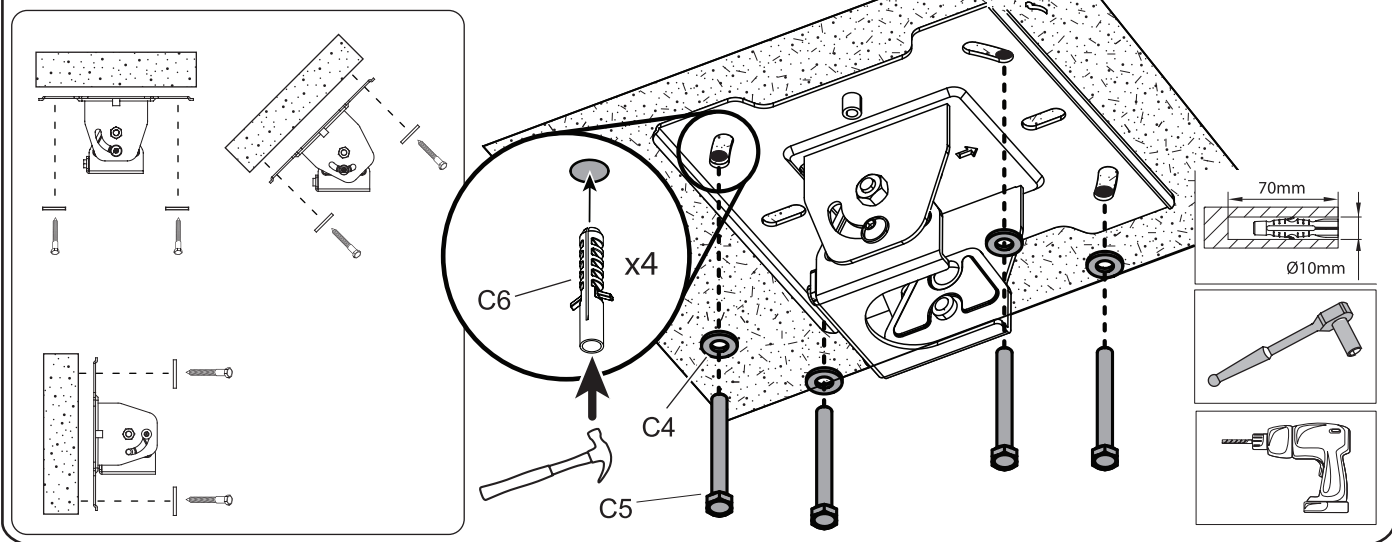


8

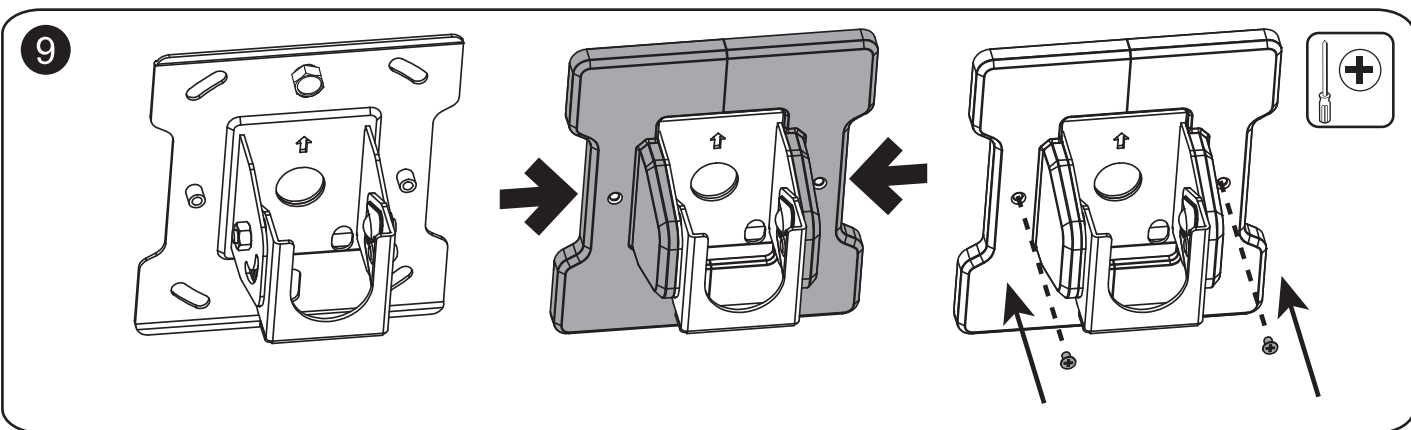
WOOD



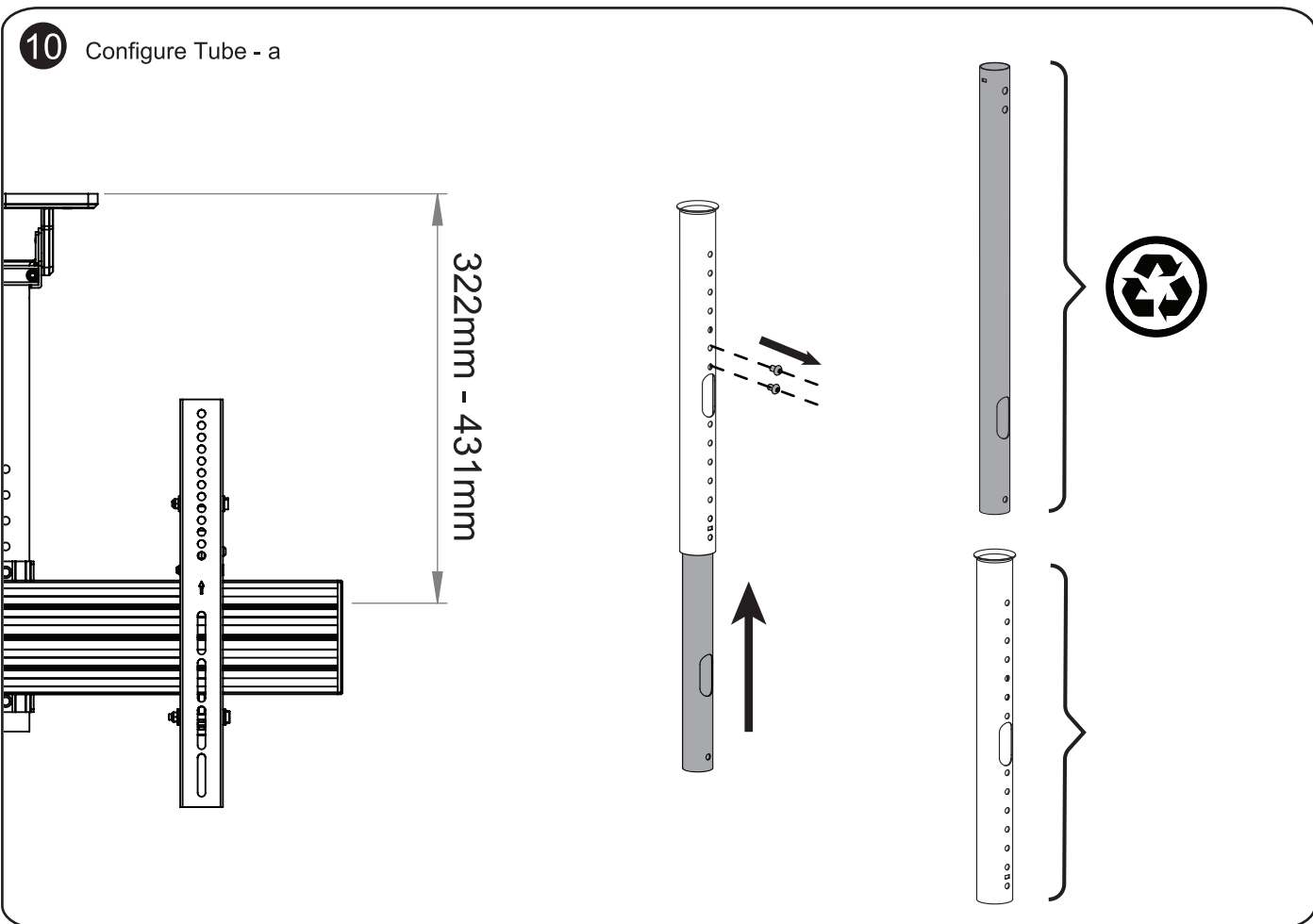
8 BRICK OR CONCRETE



9

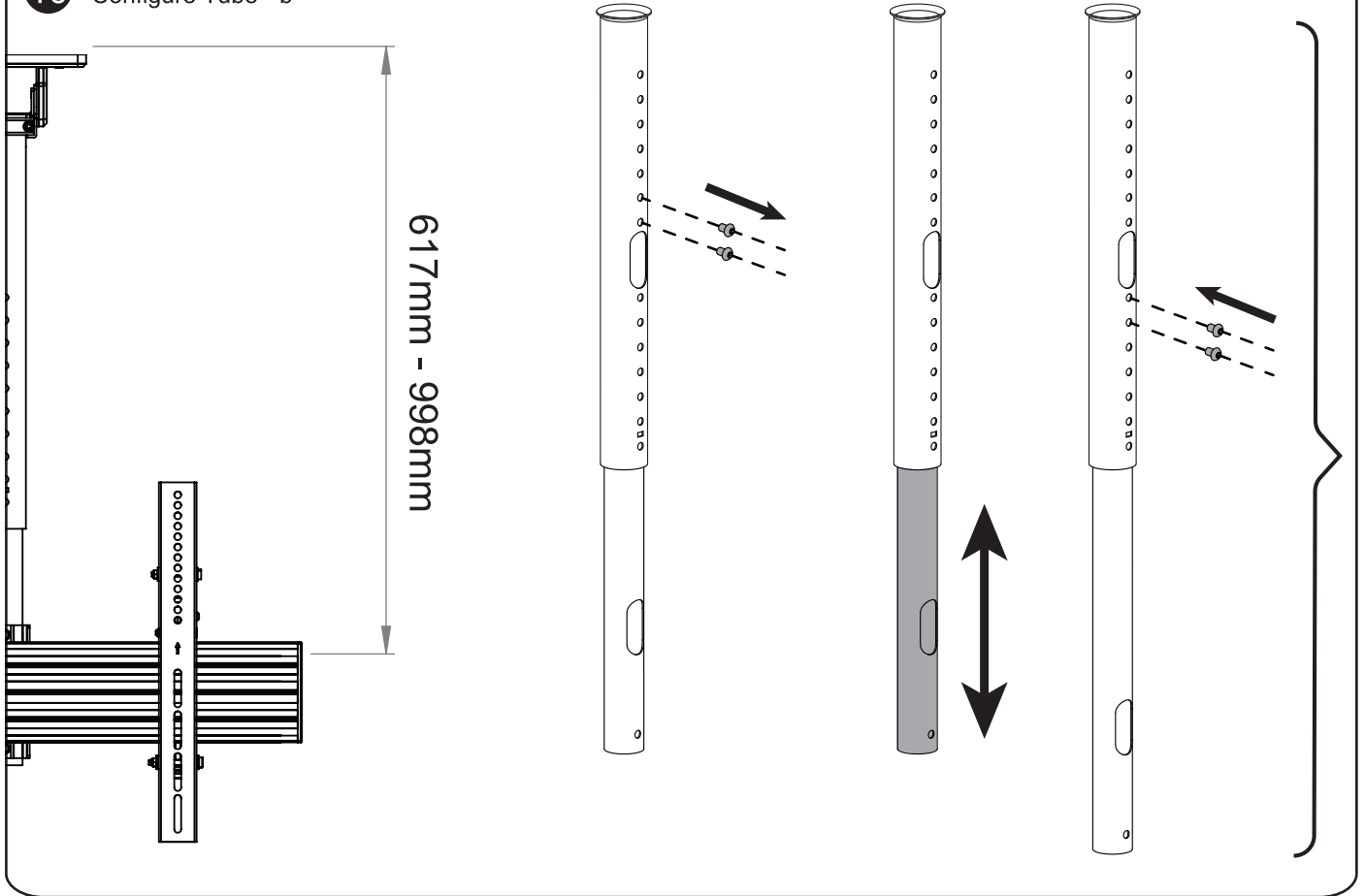


10 Configure Tube - a

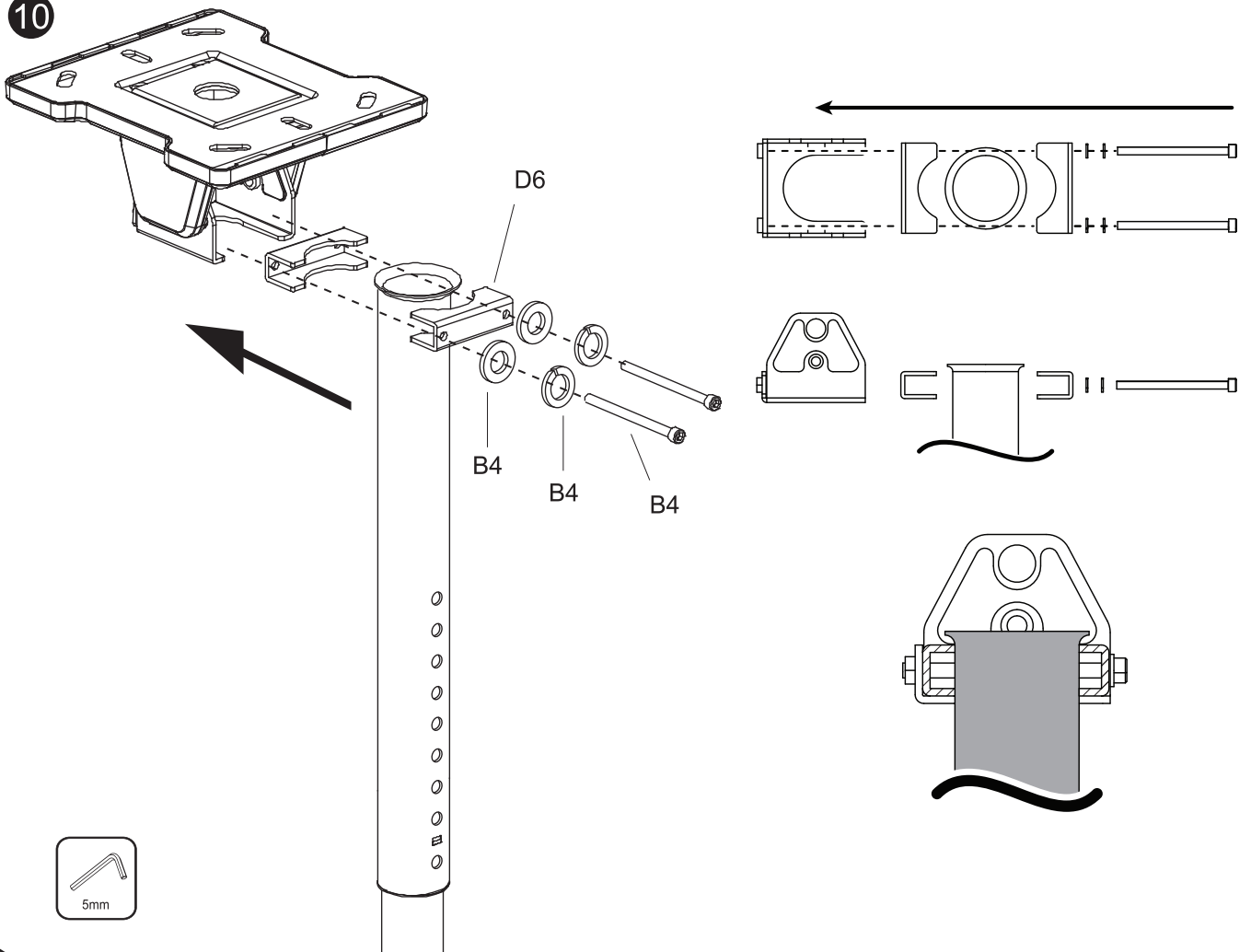


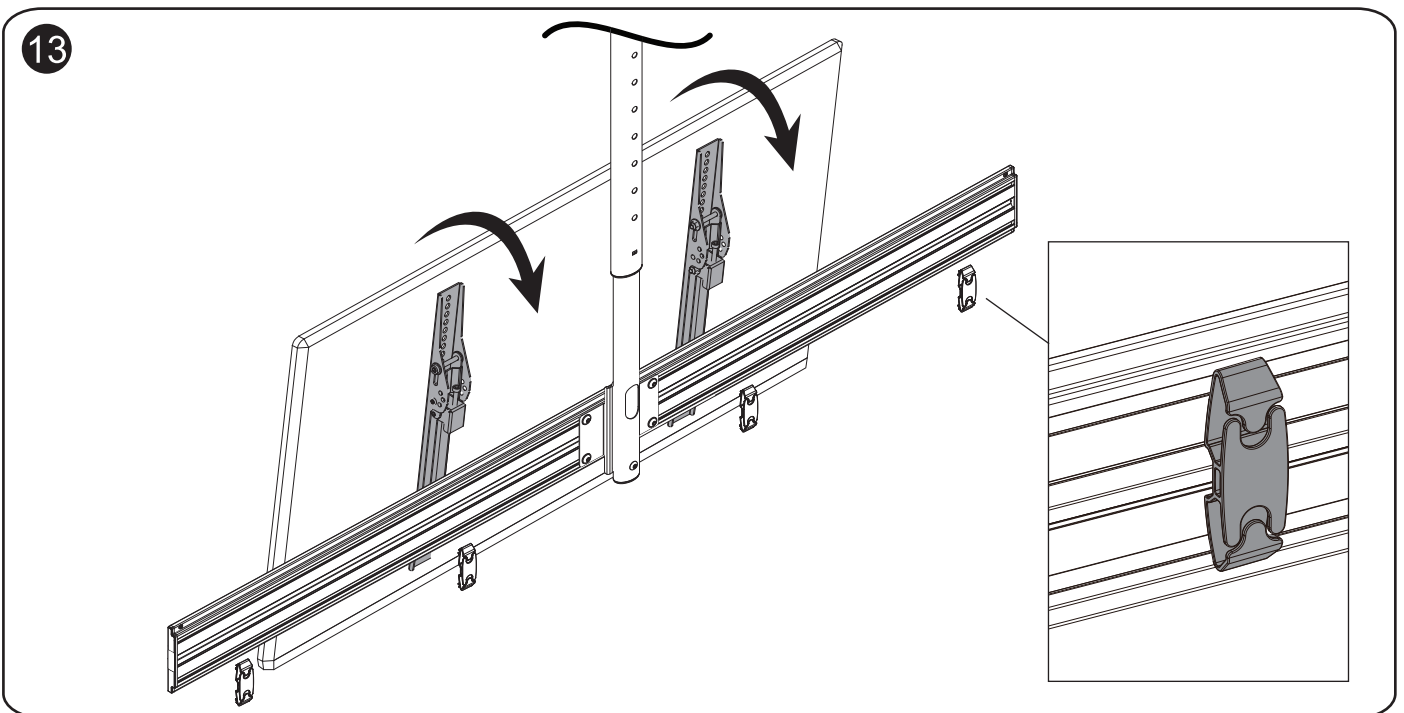
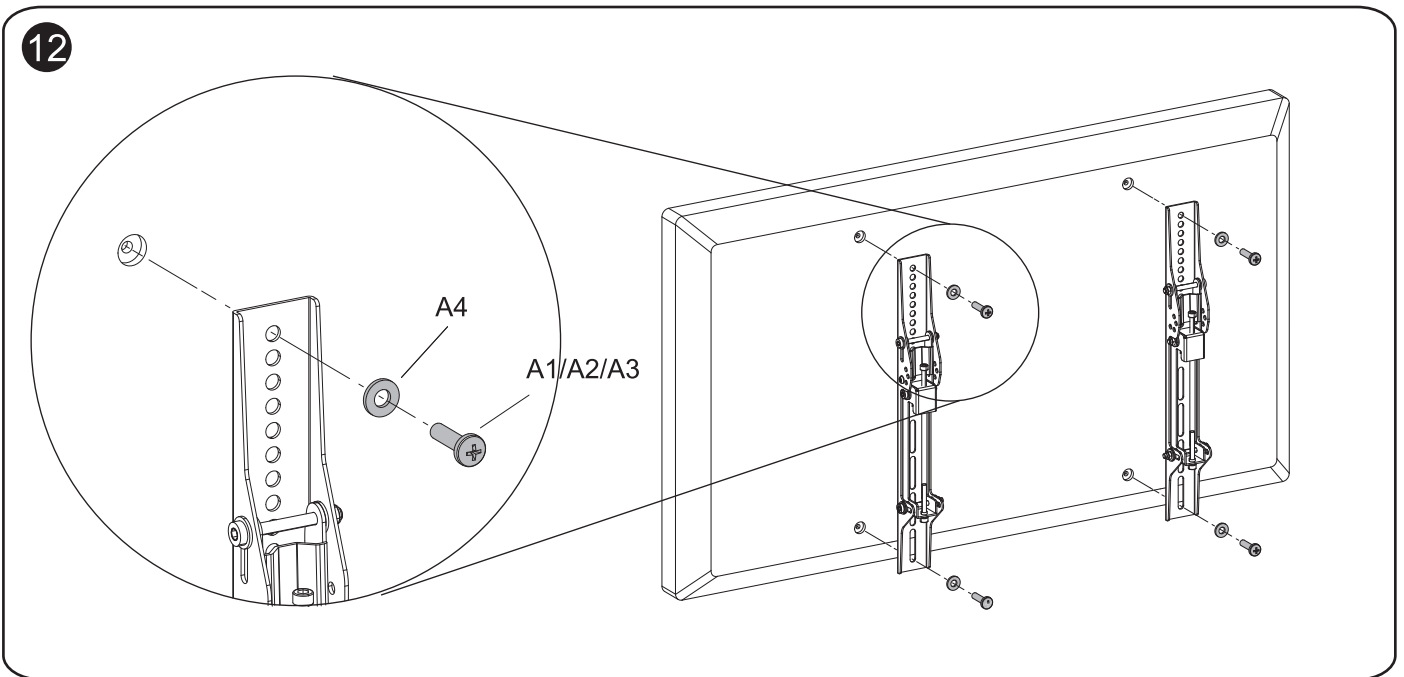
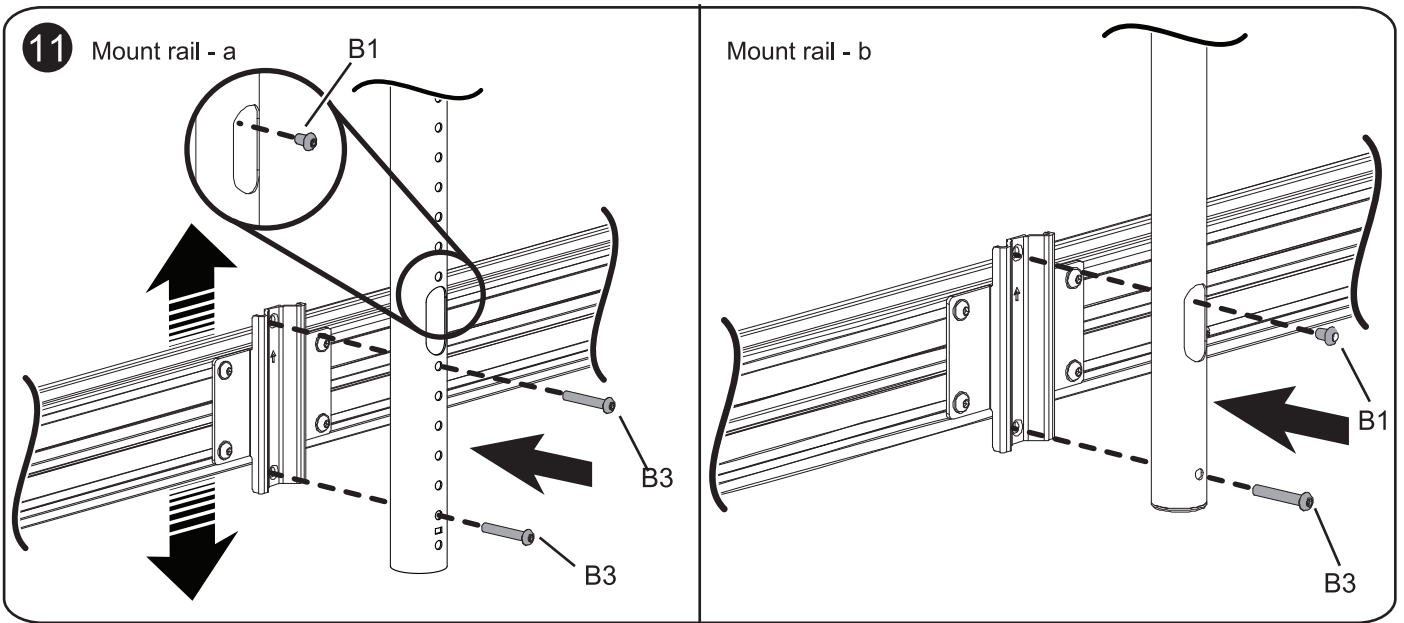
10

Configure Tube - b

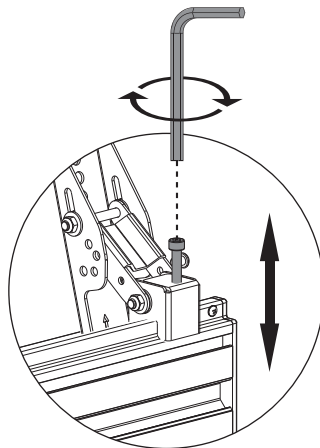
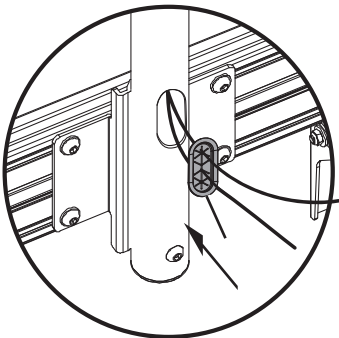
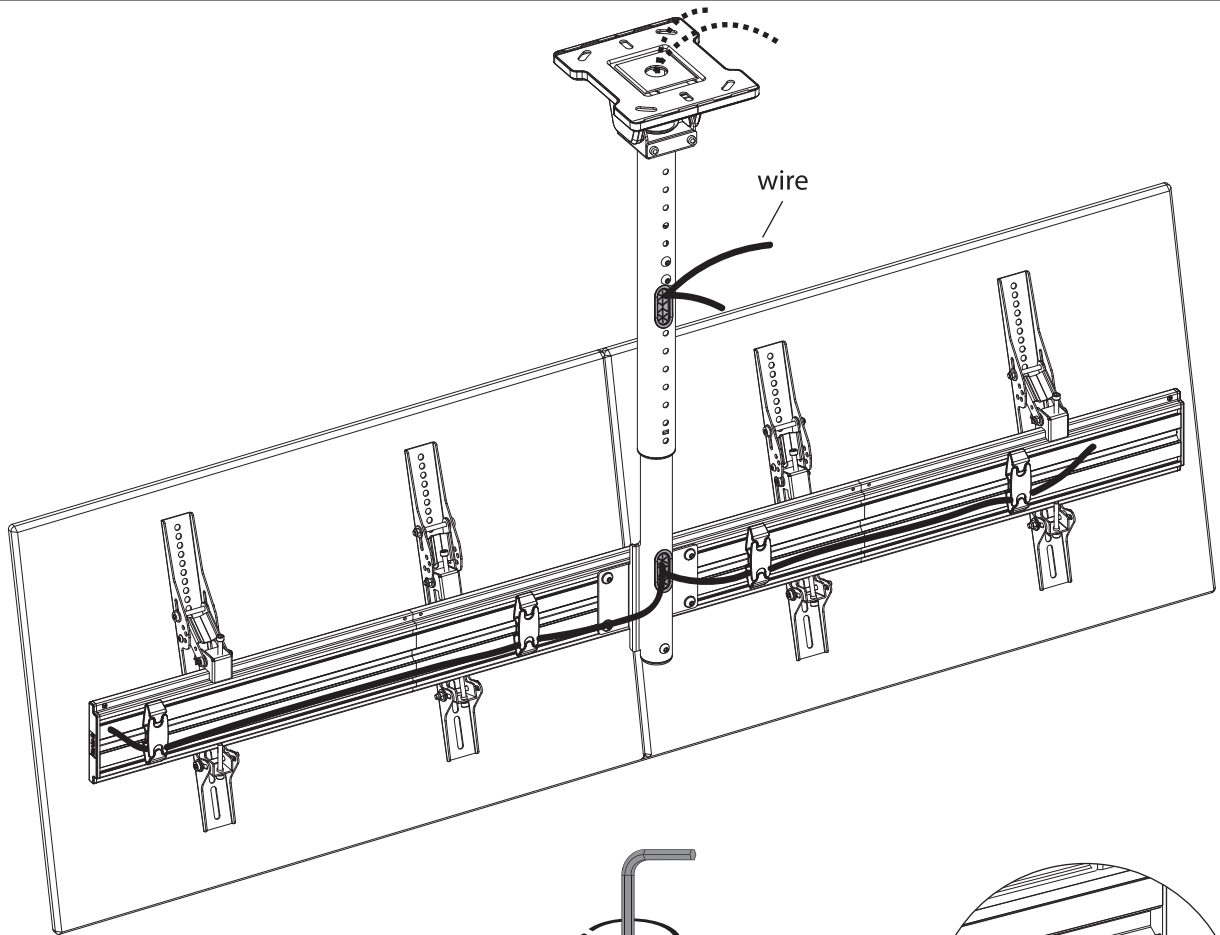


10

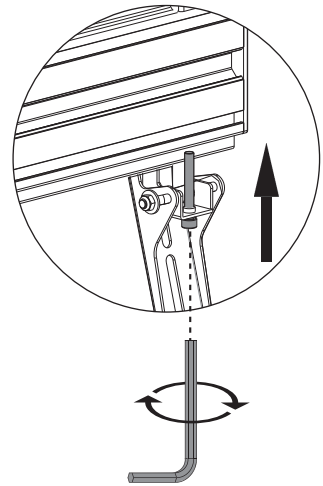




14



Height adjustment 10mm



12

