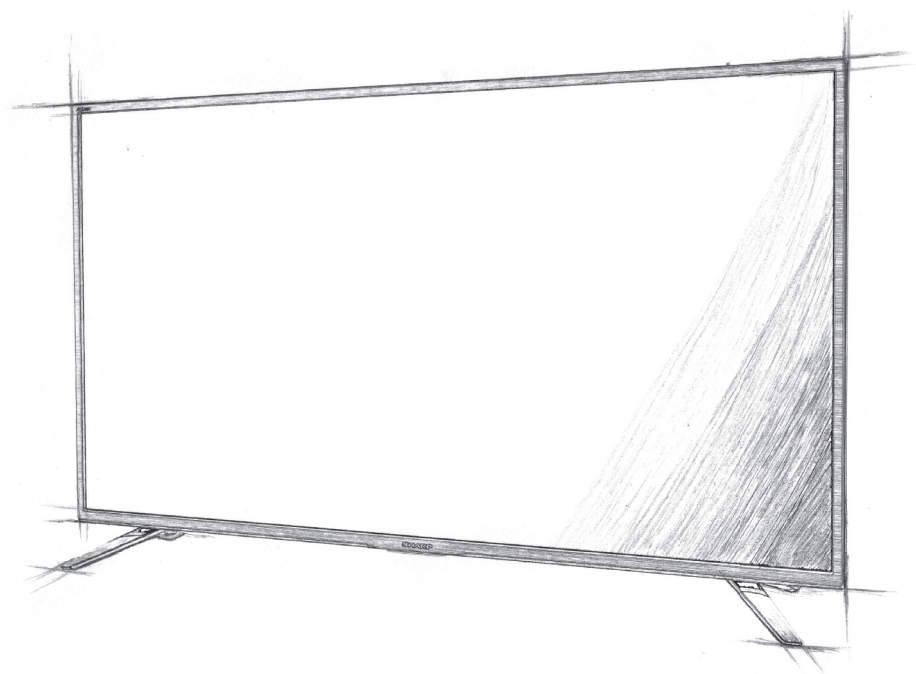


# SHARP



## Quick start guide

EN

DE

FR

IT

ES

PT

NL

PL

NO

SV

DK

SU

LT

LV

ET

CZ

SK

HU

RO

BG

HR

SR

SL

EL

---

## Trademarks

# HDMI

The terms HDMI, HDMI High-Definition Multimedia Interface, and the HDMI Logo are trademarks or registered trademarks of HDMI Licensing Administrator, Inc.

# DVB

Digital Video  
Broadcasting

The DVB logo is the registered trademark of the Digital Video Broadcasting - DVB - project.

# DOLBY AUDIO

Manufactured under license from Dolby Laboratories. Dolby, Dolby Audio and the double-D symbol are trademarks of Dolby Laboratories.

# dts

Studio Sound

For DTS patents, see <http://patents.dts.com>. Manufactured under license from DTS Licensing Limited. DTS, the Symbol, DTS and the Symbol together, and DTS Studio Sound are registered trademarks and/or trademarks of DTS, Inc. in the United States and/or other countries. © DTS, Inc. All Rights Reserved.

# dts-HD

For DTS patents, see <http://patents.dts.com>. Manufactured under license from DTS Licensing Limited. DTS, the Symbol, DTS and the Symbol together, DTS-HD, and the DTS-HD logo are registered trademarks and/or trademarks of DTS, Inc. in the United States and/or other countries. © DTS, Inc. All Rights Reserved.

# Wi-Fi

CERTIFIED

The Wi-Fi CERTIFIED Logo is a certification mark of the Wi-Fi Alliance.



Wi-Fi CERTIFIED Miracast and Miracast are trademarks of Wi-Fi Alliance.



YouTube and the YouTube logo are trademarks of Google Inc.

## Important safety instructions



**Please, read these safety instructions and respect the following warnings before the appliance is operated:**



- Television sets with 43"size screens or more must be lifted and carried by at least two people.
- This TV does not contain any parts which could be repaired by the user. In case of a fault, contact the manufacturer or the authorised service agent. Contact with certain parts inside the TV might endanger your life. The guarantee does not extend to faults caused by repairs carried out by unauthorized third parties.
- Do not remove the rear part of the appliance.
- This appliance is designed for the receiving and reproduction of video and sound signals. Any other use is strictly forbidden.
- Do not expose the TV to dripping or splashing liquid.
- To disconnect the TV from mains please unplug the mains plug from the mains socket.
- If the supply cord is damaged, it must be replaced by the manufacturer, a service agent or similarly qualified persons in order to avoid a hazard.
- The suggested distance to watch HD TV is approximately three times longer than the screen diagonal size. Reflections on the screen from other light sources can make the quality of the picture worse.
- Ensure the TV has sufficient ventilation and is not close to other appliances and other pieces of furniture.
- Install the product at least 5 cm from the wall for ventilation.
- Ensure that the ventilation openings are clear of items such as newspapers, table-cloths, curtains, etc.
- The TV set is designed to be used in a moderate climate.
- The TV set is designed exclusively for operation in a dry place. When using the TV outside, please, make sure it is protected against moisture (rain, splashing water). Never expose to moisture.
- Do not place any objects, containers filled with liquids, such as vases, etc. on the TV. These containers might get pushed over, which would endanger electric safety. Place the TV exclusively on flat and stable surfaces. Do not place any objects such as newspaper or blankets, etc. on or under the TV.
- Make sure the appliance does not stand on any power cables as they might get damaged. Mobile phones and other devices such as WLAN adapters, monitoring cameras with wireless signal transmission, etc. might cause electromagnetic interference and they should not be placed near the appliance.
- Do not place the appliance near heating elements or in a place with direct sunlight as it has a negative effect on cooling of the appliance. Heat storage is dangerous and it can seriously reduce the lifetime of the appliance. In order to ensure the safety, ask a qualified person to remove the dirt from the appliance.
- Try to prevent damage to the mains cable or mains adapter. The appliance can only be connected with the supplied mains cable/ adapter.
- Storms are dangerous for all electric appliances. If the mains or aerial wiring is struck by lightning the appliance might get damaged, even if it is turned off. You should disconnect all the cables and connectors of the appliance before a storm.

- To clean the screen of the appliance use only a damp and soft cloth. Use only clean water, never detergents and in no case use solvents.
- Position the TV close to the wall to avoid the possibility of it falling when pushed.
- **WARNING** - Never place a television set in an unstable location. A television set may fall, causing serious personal injury or death. Many injuries, particularly to children, can be avoided by taking simple precautions such as:
  - Use cabinets or stands recommended by the manufacturer of the television set.
  - Only use furniture that can safely support the television set.
  - Ensure the television set is not overhanging the edge of the supporting furniture.
  - Not place the television set on tall furniture (for example, cupboards or bookcases) without anchoring both the furniture and the television set to a suitable support.
  - Not place the television set on cloth or other materials that may be located between the television set and supporting furniture.
  - Educate children about the dangers of climbing on furniture to reach the television set or its controls.
  - Ensure that children do not climb or hang onto the TV.
  - If your existing television set is being retained and relocated, the same considerations as above should be applied.
- The instructions shown below are a safer way to set up the TV, by fixing it to the wall and will avoid the possibility of it falling forwards and causing injury and damage.
- For this type of installation you will need a fastening cord
  - A) Using one/both of the top wall-mounting holes and screws (the screws are already supplied in the wall mounting holes) fasten one end of the fastening chord/s to the TV.
  - B) Secure the other end of the fastening chord/s to your wall.
- The software on your TV and the OSD layout can be changed without notice.
- Note: In case of electrostatic discharge (ESD) the apparatus may show incorrect function. In such case, switch the TV off and back on. The TV will work normally.

### Warning:

- Do not use TV set directly after unpacking. Wait until TV warms up to the room temperature before using it.
- Never connect any external devices to a live appliance. Switch off not only the TV but also the devices which are being connected! Plug the TV plug into the wall socket after connecting any external devices and the aerial!
- Always make sure there is free access to the TV mains plug.
- The appliance is not designed for a use in a workplace fitted with monitors.
- The systematic use of headphones at high volume might lead to irreversible hearing damage.
- Ensure environmental disposal of this appliance and any components including batteries. When in doubt, please, contact your local authority for details of recycling.
- While installing the appliance, do not forget that furniture surfaces are treated with various varnishes, plastics, etc. or they might be polished. The chemicals contained in these products might have a reaction with the TV stand. This could result in bits of the material sticking to the furniture surface, which are difficult to remove, if not impossible.
- The screen of your TV has been produced under top quality conditions and was checked in detail for faulty pixels several times. Due to the technological properties of the manufacturing process, it is not possible to eliminate the existence of a small number of faulty points on the screen (even with maximum care while in production). These faulty pixels are not considered faults in terms of guarantee conditions, if their extent is not greater than the boundaries defined by DIN norm.
- The manufacturer cannot be held responsible, or be liable, for customer service-related issues related to the third party content or services. Any questions, comments or service-related inquiries relating to the third party content or service should be made directly to the applicable content or service provider.
- There are a variety of reasons you may be unable to access content or services from the device unrelated to the device itself, including, but not

limited to, power failure, the Internet connection, or failure to configure your device correctly. UMC Poland, its directors, officers, employees, agents, contractors and affiliates shall not be liable to you or any third party with respect to such failures or maintenance outages, regardless of cause or whether or not it could have been avoided.

- All third party content or services accessible via this device is provided to you on an "as-is" and "as available" basis and UMC Poland and its affiliates make no warranty or representation of any kind to you, either express or implied, including, without limitation, any warranties of merchantability, non-infringement, fitness for a particular purpose or any warranties of suitability, availability, accuracy, completeness, security, title, usefulness, lack of negligence or error-free or uninterrupted operation or use of the content or services provided to you or that the content or services will meet your requirements or expectations.
- 'UMC Poland' is not an agent of and assumes no responsibility for the acts or omissions of third party content or service providers, nor any aspect of the content or service related to such third party providers.
- In no event will 'UMC Poland' and/or its affiliates be liable to you or any third party for any direct, indirect, special, incidental, punitive, consequential or other damages, whether the theory of liability is based on contract, tort, negligence, breach of warranty, strict liability or otherwise and whether or not UMC Poland and/or its affiliates have been advised of the possibility of such damages.
- **This product contains technology subject to certain intellectual property rights of Microsoft. Use or distribution of this technology outside of this product is prohibited without the appropriate license(s) from Microsoft.**
- **Content owners use Microsoft PlayReady™ content access technology to protect their intellectual property, including copyrighted content. This device uses PlayReady technology to access PlayReady-protected content and/or WMDRM-protected content. If the device fails to properly enforce restrictions on content usage, content owners may require Microsoft to revoke the device's ability to consume PlayReady-protected content. Revocation should not affect unprotected content or content protected by other content access technologies. Content owners may require you to upgrade PlayReady to access their content. If you decline an upgrade, you will not be able to access content that requires the upgrade.**

### Important information regarding use of video games, computers, captions and other fixed image displays.

- The extended use of fixed image program material can cause a permanent "shadow image" on the LCD screen (this is sometimes incorrectly referred to as "burnout to the screen"). This shadow image is then permanently visible on the screen in the background. It is irreversible damage. You can avoid such a damage by following instructions below:
- Reduce the brightness/contrast setting to a minimum viewing level.
- Do not display the fixed image for a long period of time. Avoid displaying of:
  - » Teletext time and charts,
  - » TV/DVD menu, e.g. DVD contents,
  - » In the „Pause“ mode (hold): Do not use this mode for a long time, e.g. while watching a DVD or a video.
  - » Turn off the appliance if you are not using it.

### Batteries

- Observe the correct polarity when inserting the batteries.
- Do not expose batteries to high temperatures and do not place them on locations where the temperature might increase quickly, e.g. near the fire or on the direct sunshine.
- Do not expose batteries to excessive radiant heat, do not throw them into the fire, do not disassemble them and do not try to recharge un-rechargeable batteries. They could leak or explode.
  - » Never use different batteries together or mix new and old ones.



- » Dispose of batteries in an environmentally friendly way.
- » Most of the EU countries regulate the disposal of batteries by law.

### CAUTION:

- CLASS 1 LASER PRODUCT (Applies to models with built in DVD player) This caution label is located on the rear panel of the unit
- THIS UNIT IS A CLASS 1 LASER PRODUCT. THIS UNIT USES A VISIBLE LASER BEAM WHICH COULD CAUSE HAZARDOUS RADIATION EXPOSURE IF DIRECTED. BE SURE TO OPERATE THE PLAYER CORRECTLY AS INSTRUCTED.
- WHEN THIS UNIT IS PLUGGED INTO THE WALL OUTLET, DO NOT PLACE YOUR EYES CLOSE TO THE OPENINGS TO LOOK INTO THE INSIDE OF THIS UNIT.
- USE OF CONTROLS OR ADJUSTMENTS OR PERFORMANCE OF PROCEDURES OTHER THAN THOSE SPECIFIED HEREIN MAY RESULT IN HAZARDOUS RADIATION EXPOSURE.
- DO NOT OPEN COVERS AND DO NOT REPAIR YOURSELF. REFER SERVICING TO QUALIFIED PERSONNEL.

### Disposal

- Do not dispose of this TV as unsorted municipal waste. Return it to a designated collection point for the recycling of WEEE. By doing so, you will help to conserve resources and protect the environment. Contact your retailer or local authorities for more information.



### CE Statement:

- Hereby, UMC Poland Sp. z o.o. declares that this LED TV is in compliance with the essential requirements and other relevant provisions of RED Directive 2014/53/EU. [www.sharpconsumer.eu/documents-of-conformity/](http://www.sharpconsumer.eu/documents-of-conformity/) The full text of the EU declaration of conformity is available by following the link [www.sharpconsumer.eu/documents-of-conformity/](http://www.sharpconsumer.eu/documents-of-conformity/) This equipment may be operated in all EU countries. Wi-Fi max transmitter power: 100 mW at 2,412 GHz – 2,472 GHz

## What is included in the box

### Supply of this TV includes following parts:

• 1x TV	• 1x TV stand installation packet
• 1x Remote control	• 1x Quick Start Guide
• 2x AAA batteries	• 1x Wall mount set (4x M6x35 screw and 4x plastic spacer)*

\* - Available only for 50" models

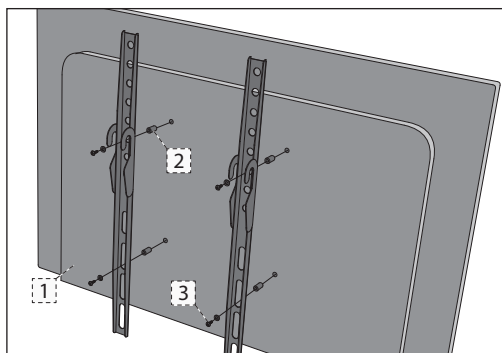
## Attaching the Stand

Please follow the instructions in Technical leaflet, located in the accessories bag.

## Wall mounting the TV

1. Remove the four screws that are supplied in the wall mounting holes.
2. The wall mount can now be easily attached to the mounting holes on the rear of the TV.
3. Install the wall mounting bracket to the television as advised by the bracket manufacturer.

When attaching wall mount brackets on 50" model, instead of screws provided in TV wall mounting holes, we recommend the use of longer screws and spacers included in the accessory pack. Please put spacers into TV wall mounting holes, located on the back of the TV, then put wall brackets onto them. Install brackets and spacers to TV using longer screws as shown below:



1. TV
2. SPACER
3. SCREW

**NOTE:** TV and the wall bracket type shown in the diagram is for illustration purposes only.

## Connections

Connecting external devices see last page in this IM.

## Getting started - initial set up

1. Using the RF cable, connect the TV to the TV Aerial wall socket.

2. For connecting to the Internet with a wired connection connect a Cat 5/Ethernet cable (not included) from the TV to your broadband modem/router.
3. Insert the batteries supplied into the Remote control.
4. Connect the power cable to the Electrical outlet.
5. Then press Standby button to power on TV.
6. After turning the TV on, you will be welcomed by the **First Time Installation** menu.  
*If it does not appear, on the remote control, please press [MENU] then 8-8-8-8 and the menu will appear.*  
If you wish to make changes to any of the default settings, use the scroll ▲/▼/◀/▶ buttons. To exit this menu at anytime, press [EXIT] button.
7. Please set desired settings in **FIRST TIME INSTALLATION** screen.

## TV buttons\*

**Vol+** Volume up and menu right

**Vol-** Volume down and menu left

**CH+** Programme/Channel up and menu up

**CH-** Programme/Channel down and menu down

**MENU** Displays Menu/OSD

**SOURCE** Displays the input source menu

**STANDBY** Standby Power On/Off

\* - for TV with buttons

## TV Control Stick\*

TV control stick is located on the lower left corner of back side of the TV. You can use it instead of remote control to control most of the functions of your TV.

**While TV is in standby mode:**

- short press of control stick - Power On

**While watching TV:**

- RIGHT/LEFT – volume up/volume down
- UP/DOWN – changes channel up/down
- short press – Displays Menu
- long press – Standby Power Off

**While in menu:**

- RIGHT/LEFT/UP/DOWN – navigation of cursor in on-screen menus
- short press – OK/Confirm selected item
- long press – Back to previous menu

\* - for TV with control stick

## Choosing Mode Input/Source

To switch between the different input/connections.

**a) Using the buttons on the remote control:**

1. Press [SOURCE/□] - The source menu will appear.
2. Press [◀] or [▶] to select the input you require.
3. Press [OK].

**b1) Using the buttons\* on the Television:**

1. Press [SOURCE].
2. Scroll up/down using VOL+ /VOL- buttons to the input/source you require.
3. Press [SOURCE] to change input/source to the one selected.

**b2) Using the TV control stick\*:**

1. Shortly press control stick to enter menu.
2. Press control stick down and navigate cursor to SOURCES menu.

3. Shortly press control stick to enter SOURCES menu.
4. With control stick choose the input/source you require.
5. By short press of control stick, you will change input/source to the one selected.

\* - *optional*

## TV Menu navigation

To access this menu, press [MENU] button on the remote control. To enter a menu press [OK]. If you wish to make changes to any of the default settings, use the scroll (▲/▼/◀/▶) buttons. To confirm any settings press [OK] button. To exit this menu at anytime, press [EXIT] button.

## Electronic instruction manual

To launch the Online Manual, press the [MENU] button and then select **Settings>About TV>Help Information>View Online Manual**.

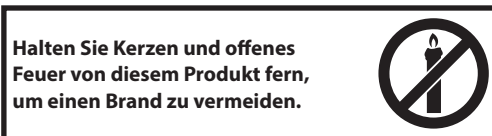
## Remote control

See in On Screen Manual in TV

## Wichtige Sicherheitsanweisungen



**Bitte lesen Sie sich diese Sicherheitsanweisungen durch und beachten Sie, bevor Sie das Gerät in Betrieb nehmen, auf die folgenden Warnhinweise:**



- Fernsehgeräte mit einer Bildschirmgröße von 43 " oder mehr müssen von mindestens zwei Personen angehoben und getragen werden.
- Dieses Fernsehgerät enthält keine Teile, die vom Benutzer repariert werden könnten. Setzen Sie sich im Fall eines Defekts mit dem Hersteller oder dem autorisierten Kundendienst in Verbindung. Das Berühren bestimmter Teile im Fernsehgerät könnte Ihr Leben gefährden. Die Garantie gilt nicht für Defekte, die durch von nicht autorisierte Dritten durchgeführte Reparaturen entstehen.
- Entfernen Sie nicht die rückseitige Abdeckung des Geräts.
- Diese Gerät wurde für den Empfang und die Wiedergabe von Bild- und Tonsignalen konstruiert. Eine andere Verwendung ist strengstens verboten.
- Setzen Sie das Fernsehgerät keinen tropfenden oder spritzenden Flüssigkeiten aus.
- Das TV Gerät abstecken bedeutet: den Stecker aus der Steckdose ziehen.
- Wenn das Stromversorgungskabel beschädigt ist, muss es vom Hersteller, einem Servicetechniker oder ähnlich qualifizierten Person ausgetauscht werden, um Gefährdungen zu vermeiden.
- Die empfohlene Entfernung, um HD TV zu sehen, ist etwa fünf mal länger als die Bildschirmhöhe. Reflexionen von anderen Lichtquellen auf dem Bildschirm können die Bildqualität verschlechtern.
- Sorgen Sie dafür, dass das Fernsehgerät ausreichend belüftet wird und sich nicht zu nahe an anderen Geräten oder Möbelstücken befindet.
- Stellen Sie das Produkt mindestens 5 cm von der Wand zur Belüftung auf.
- Sorgen Sie dafür, dass die Belüftungsöffnungen nicht durch Gegenstände, z. B. Zeitungen, Tischdecken, Gardinen usw. verdeckt sind.
- Das Fernsehgerät ist für die Verwendung in einem moderaten Klima konstruiert.
- Das Fernsehgerät ist ausschließlich für den Betrieb an einem trockenen Ort konstruiert. Wenn Sie das Fernsehgerät im Freien benutzen, sorgen Sie dafür, dass es vor Feuchtigkeit (Regen, Spritzwasser) gesichert ist. Niemals der Feuchtigkeit aussetzen.
- Stellen Sie keine mit Wasser gefüllte Behälter, wie Vasen usw. auf das Fernsehgerät. Diese Behälter könnten umgestoßen werden und die elektrische Sicherheit gefährden. Stellen Sie das Fernsehgerät nur auf flachen und stabilen Oberflächen. Legen Sie keine Objekte wie Zeitungen oder Decken usw. auf oder unter das Fernsehgerät.
- Sorgen Sie dafür, dass das Gerät nicht auf Stromkabeln steht, da diese hierdurch beschädigt werden könnten. Mobiltelefone und andere Geräte, wie WLAN-Adapter, Überwachungskameras mit drahtloser Signalübertragung usw. könnten elektromagnetische Störungen verursachen und sollten daher nicht in der Nähe des Geräts aufgestellt werden.
- Stellen Sie das Gerät nicht neben Heizkörpern oder an einem Ort mit direkter Sonneneinstrahlung auf, da dies negative Auswirkung auf die Kühlung des Gerätes haben kann. Ein Hitzestau ist gefährlich und die Lebensdauer des Geräts erheblich verkürzt. Um für Sicherheit zu

sorgen, bitten Sie eine qualifizierte Person, den Staub aus dem Gerät zu entfernen.

- Vermeiden Sie die Beschädigung an Stromkabeln oder Stromsteckern. Das Gerät darf nur mit dem mitgelieferten Stromkabel/Stecker angeschlossen werden.
- Gewitter sind für alle elektrischen Geräte gefährlich. Wenn das Strom- oder Antennenkabel vom Blitz getroffen wird, kann das Gerät, auch wenn es ausgeschaltet ist, beschädigt werden. Bei einem heran nahenden Gewitter sollten Sie alle Kabel und Stecker des Gerätes ausstecken.
- Verwenden Sie zur Reinigung des Bildschirms des Geräts nur ein feuchtes und weiches Tuch. Verwenden Sie nur sauberes Wasser, niemals Reinigungsmittel und in keinem Fall Lösungsmittel.
- Stellen Sie das Fernsehgerät nah an die Wand, damit die Möglichkeit vermieden wird, dass es beim Drücken der Knöpfe umfällt.
- **WARNUNG** – Stellen Sie den Fernseher niemals an eine unsichere Stelle. Das Gerät könnte fallen und ernsthafte Verletzungen bis hin zum Tod verursachen. Viele Verletzungen, speziell bei Kindern, können durch folgende Vorsichtsmaßnahmen verhindert werden:
- Benutzen Sie ausschließlich Standfüße und Halterungen, die vom Hersteller für das Gerät empfohlen werden
- Benutzen Sie nur Möbel, die den TV sicher tragen können
- Versichern Sie sich, dass das Gerät nicht übersteht
- Stellen Sie Ihr Gerät nicht auf hohe Möbel (z.B. Schränke oder Bücherregale), ohne das Gerät und die Möbel entsprechend zu sichern
- Stellen Sie das Gerät nicht auf Kleidung oder andere Materialien (Tischdecken etc.), die auf den Möbeln liegen
- Erklären Sie Kindern die Gefahren, die bestehen, wenn sie auf Möbel klettern, um an den TV oder die Fernbedienung zu gelangen.
- Stellen Sie sicher, dass Kindern nicht auf den TV klettern.
- Wenn Sie ihr bereits vorhandenes Gerät woanders aufstellen möchten, gelten dieselben Vorsichtsmaßnahmen wie oben
- Stellen Sie keine anderen Objekte bzw. mit Flüssigkeiten gefüllte Vasen oder Gläser auf den TV.
- Die unten genannten Anleitungen sind ein sicherer Weg, das Fernsehgerät aufzustellen, indem man es an der Wand befestigt, was die Möglichkeit, dass es nach vorne fällt und Verletzungen und Schäden verhindert.
- Für diese Art der Befestigung benötigen Sie eine Befestigungskordel.
- A) Wenn Sie eines/beide der oberen Wandmontagelöcher und die Schrauben verwenden (die Schrauben befinden sich schon in den Wandmontagelöchern), dann befestigen Sie das eine Ende der Befestigungskordel(n) am Fernsehgerät.
- B) Sichern Sie das andere Ende der Befestigungskordel(n) an Ihrer Wand.
- Die Software Ihres Fernsehers und das OSD-Layout können ohne Vorankündigung geändert werden.
- Hinweis: Bei elektrostatischen Entladungen (Electrostatic Discharge – ESD) können bei dem Gerät Fehlfunktionen auftreten. In einem solchen Fall schalten Sie den Fernseher aus und wieder ein. Der Fernseher funktioniert wieder ordnungsgemäß.

### Warnung:

- Benutzen Sie den Fernseher nicht direkt nach dem Auspacken. Warten Sie, bis sich der Fernseher auf Zimmertemperatur erwärmt hat, ehe sie ihn einschalten.
- Verbinden Sie niemals externe Geräte mit mit einem laufenden Fernsehapparat. Schalten Sie nicht nur das Fernsehgerät sondern auch die zu verbindenden Geräte aus. Stecken Sie den Fernsehgerätestecker erst in die Wandsteckdose, wenn Sie die externen Geräte und die Antenne verbunden haben.
- Sie müssen immer dafür Sorge tragen, dass der Fernsehgerätestecker frei zugänglich ist.
- Das Gerät ist nicht dafür gebaut, um an einem mit Monitoren ausgestatteten Arbeitsplatz verwendet werden zu können.
- Die ständige Verwendung von Kopfhörer mit hoher Lautstärke kann zu dauernden Hörschäden führen.
- Sorgen Sie für eine umweltverträgliche Entsorgung dieses Geräts und Komponenten, die Batterien enthalten. Wenn Sie Zweifel haben, setzen

Sie sich mit Ihrer zuständigen Behörde in Verbindung, um Einzelheiten zum Recycling zu erfahren.

- Vergessen Sie bei der Aufstellung nicht, dass Möbeloberflächen mit verschiedenen Lacken, Kunststoffen usw. behandelt wurden oder dass sie poliert sein können. Die in diesen Produkten enthaltenen Chemikalien könnten mit dem Ständer des Fernsehgeräts reagieren. Dies könnte dazu führen, das Stücke des Materials auf der Oberfläche kleben, die nur sehr schwer oder gar nicht zu entfernen sind.
- Der Bildschirm Ihres Fernsehgeräts wurde unter besten Qualitätsbedingungen hergestellt und wurde mehrmals auf beschädigte Pixel geprüft. Wegen der technischen Eigenschaften des Herstellungsprozess ist es nicht möglich, das Auftreten einer geringe Anzahl von schadhafte Punkten auf dem Bildschirm zu vermeiden (dies auch bei höchster Sorgfalt während der Herstellung). Diese schadhafte Pixel gelten nicht als Schaden im Rahmen der Garantiebedingungen, wenn ihr Vorkommen nicht höher als in den Grenzwerten, die in der DIN-Norm vorgegeben sind, ist.
- Der Hersteller kann nicht für für servicebezogene Kundenprobleme in Bezug auf Inhalte oder Dienstleistungen Dritter haftbar gemacht werden. Alle Fragen, Kommentare oder servicebezogene Anfragen zu dem Inhalt oder dem Service Dritter müssen unmittelbar an den für den Inhalt oder Service zuständigen Dienstleister gerichtet werden.
- Es gibt eine Reihe von Gründen, warum Sie mit dem Gerät nicht auf Inhalte oder Services zugreifen können, wie z. B. insbesondere Stromausfall, der Internetverbindung oder Fehler bei der richtigen Konfiguration Ihres Geräts. UMC Poland, sein Vorstand, die leitenden Angestellten, die Mitarbeiter, Vertreter, Auftragnehmer und Partner sind Ihnen und Dritten gegenüber nicht für Fehler oder Versorgungsunterbrechungen ungeachtet der Ursache oder ob sie hätten vermieden werden können, haftbar.
- Jeder Inhalt oder Service von Drittanbietern wird Ihnen über diese Gerät auf einer „wie vorhanden“ und „wie geliefert“ Basis zur Verfügung gestellt und die UMC Poland und seine Partnerfirmen geben Ihnen gegenüber keine ausdrückliche oder vermeintliche Garantie oder Zusage, einschließlich, aber nicht erschöpfend keine Garantien für die wirtschaftliche Verwertbarkeit, nicht Verletzung, oder Eignung für einen bestimmten Zweck oder Garantien für die Eignung, Verfügbarkeit, Genauigkeit, Vollständigkeit, Sicherheit, Anspruch, Verwendbarkeit, Fehlen von Fahrlässigkeit oder fehlerfreien, ununterbrochenen Betrieb oder Verwendung des Inhalts oder der Ihnen angebotenen Services oder das der Inhalt oder die Services ihren Wünschen und Erwartungen entsprechen.
- Die 'UMC Poland' ist kein Vertreter und übernimmt keine Verantwortung für die Handlungen und Unterlassung von Inhalt- oder Service-Drittanbietern noch Aspekten des Inhalts oder Service im Hinblick auf solche Drittanbieter.
- Auf keinem Fall ist die 'UMC Poland' und/oder seine Partner Ihnen oder Dritten gegenüber für unmittelbare, mittelbare, besondere, zufällige, strafrechtlich, nachfolgende oder weitere Schäden haftbar, gleichgültig ob sich der Schadenersatzanspruch aus dem Vertrag, unerlaubter Handlung, Fahrlässigkeit, Garantieverletzung, verschuldensunabhängige Haftung oder sonstigen Gründen ergibt und ob die UMC Poland und/oder ihre Partner auf die Möglichkeit solcher Ansprüche hingewiesen wurden.
- **Dieses Produkt umfasst eine Technologie, die bestimmten geistigen Eigentumsrechten von Microsoft unterliegt. Die Nutzung oder Verbreitung dieser Technologie außerhalb dieses Produkts ist ohne die entsprechende(n) Lizenz(en) von Microsoft verboten.**
- **Inhalteigentümer nutzen die Technologie zum Inhaltszugriff Microsoft PlayReady™, um ihre geistigen Eigentumsrechte zu schützen – dazu gehören auch urheberrechtlich geschützte Inhalte. Dieses Gerät nutzt die PlayReady-Technologie, um auf PlayReady-geschützte Inhalte und/oder WMDRM-geschützte Inhalte (Inhalte mit digitaler Rechteverwaltung) zuzugreifen. Falls das Gerät die Beschränkungen zur Verwendung von Inhalten nicht sachgemäß durchsetzt, können Besitzer von Inhalten von Microsoft verlangen, dass Microsoft die Fähigkeit des Geräts, PlayReady-geschützte**

**Inhalte zu nutzen, widerruft. Der Widerruf sollte dabei keine Auswirkung auf folgende Inhalte haben: ungeschützte Inhalte; oder Inhalte, die durch andere Technologien zum Inhaltszugriff geschützt sind. Besitzer von Inhalten können von Ihnen eine Aktualisierung von PlayReady verlangen, um auf ihre Inhalte zuzugreifen. Wenn Sie eine Aktualisierung ablehnen, können Sie nicht auf Inhalte zugreifen, welche diese Aktualisierung voraussetzen.**

## Wichtige Informationen zur Verwendung von Videospielen, Computern, Untertiteln und sonstigen Standbildanzeigen.

- Die übermäßige Verwendung von feststehenden Bildern kann ein ein permanentes „Schattenbild“ (das manchmal fälschlicher Weise als „in den Bildschirm eingebrannt“ bezeichnet wird) verursachen. Dieses Schattenbild ist im Hintergrund auf dem Bildschirm ständig sichtbar. Dies ist ein nicht mehr behebbarer Schaden. Sie können einen solchen Schaden vermeiden, in dem Sie die nachfolgenden Anleitungen befolgen:
- Reduzieren Sie die Helligkeit-/Kontrasteinstellung auf ein Minimum.
- Lassen Sie keine Standbilder für einen längeren Zeitraum anzeigen. Vermeiden Sie die Anzeige von:
  - » Teletext Zeit und Grafiken,
  - » TV/DVD Menü, z. B. DVD Inhaltsverzeichnis.
  - » Den „Pause“ Modus (festhalten): Wenn Sie sich eine DVD oder ein Video ansehen, sollten Sie diesen Modus nicht für längere Zeit verwenden.
  - » Schalten Sie das Gerät, wenn Sie es nicht verwenden, aus.

## Batterien

- Beachten Sie beim Einlegen der Batterien auf die richtige Polarität.
- Setzen Sie Batterien keinen hohen Temperaturen aus und legen Sie sie nicht an Stellen ab, wo sich die Temperatur schnell erhöht, z. B. neben ein Feuer oder in die direkte Sonneneinstrahlung.
- Setzen Sie Batterien keiner übermäßigen Strahlungswärme aus, werfen Sie sie nicht ins Feuer oder bauen sie auseinander und versuchen Sie nicht, nicht aufladbare Batterien aufzuladen. Sie könnten undicht werden oder explodieren.
  - » Verwenden Sie niemals unterschiedliche Batterien oder vermischen neue mit alten.
  - » Entsorgen Sie die Batterien umweltfreundlich.
  - » In den meisten EU-Ländern gelten für die Entsorgung von Batterien besondere Gesetze und Vorschriften.



Cd

## VORSICHT:

- **DIESES GERÄT IST EIN LASERPRODUKT DER KLASSE 1. DIESES GERÄT NUTZT EINEN SICHTBAREN LASERSTRAHL, BEI DEM ES ZUM AUSTRITT GEFÄHRLICHER STRAHLUNG KOMMEN KANN, WENN ER RICHTIG WIRD. BETREIBEN SIE DEN PLAYER NUR ORDNUNGSGEMÄSS ENTSPRECHEND DER ANLEITUNG.**
- **WENN DIESES GERÄT IN DIE STECKDOSE EINGESTECKT WIRD, HALTEN SIE IHRE AUGEN VON DEN ÖFFNUNGEN FERN UND SEHEN SIE NICHT IN DAS GERÄT.**
- **EINE NUTZUNG DER STEUERUNG ODER ANPASSUNGEN ODER EINE DURCHFÜHRUNG VON AKTIONEN AUSSER DENEN, DIE HIER BESCHRIEBEN WERDEN, KÖNNEN ZUM AUSTRITT GEFÄHRLICHER STRAHLUNG FÜHREN.**
- **ÖFFNEN SIE DIE ABDECKUNGEN NICHT UND NEHMEN SIE SELBST KEINE REPARATUREN VOR. LASSEN SIE DAS GERÄT NUR VON FACHPERSONAL REPARIEREN.**

## Entsorgung

- Entsorgen Sie Ihr Fernsehgerät niemals über den normalen Hausmüll. Geben Sie es bei dem für das Recycling von WEEE vorgesehenen Sammelpunkt ab. Damit helfen Sie,





Ressourcen einzusparen und die Umwelt zu schützen. Weitere Informationen erhalten Sie von Ihrem Händler oder den örtlichen Behörden.

## CE-Konformitätserklärung

- Die UMC Poland Sp. z o.o. erklärt hiermit, dass dieses LED Fernsehgerät die wesentlichen Anforderungen und weitere entsprechende Vorschriften der RED Verordnung 2014/53/EU einhält. [www.sharpconsumer.eu/documents-of-conformity/](http://www.sharpconsumer.eu/documents-of-conformity/)
- Der vollständige Text der EU-Konformitätserklärung ist unter folgender Internetadresse erhältlich: [www.sharpconsumer.eu/documents-of-conformity/](http://www.sharpconsumer.eu/documents-of-conformity/)
- Dieses Gerät kann in allen Ländern in der EU verwendet werden.
- Wi-Fi maximale Sendeleistung: 100 mW bei 2,412 GHz – 2,472 GHz

## Was befindet sich im Karton

### Der Lieferumfang dieses Fernsehgerät umfasst folgende Teile:

- |                    |   |
|--------------------|---|
| • 1x Fernsehgerät  | • 1x Fernsehständer Installationspack   |
| • 1x Fernbedienung | • 1x Schnellstart-Handbuch  |
| • 2x AAA Batterien | • 1x Wandbefestigungsset (4x Schraube M6x35 und 4x Abstandhalter aus Kunststoff)* |

\* - Nur verfügbar für 50"-Modelle

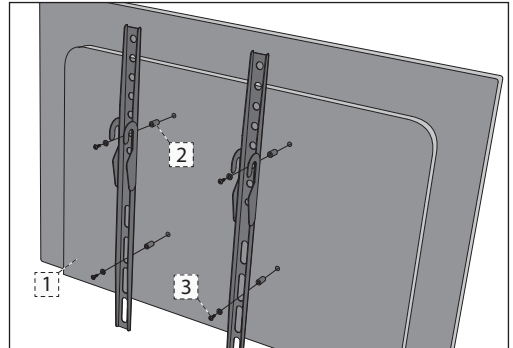
## Montage des Ständers

Bitte folgen Sie den Anweisungen in der Technikbroschüre, die sich im Zubehörbeutel befindet.

## Das TV-Gerät an der Wand anbringen

- Entfernen Sie die vier mitgelieferten Schrauben aus den Löchern für die Wandaufhängung.
- Die Wandaufhängung kann nun einfach in die Aufhängungslöcher auf der Rückseite des TV-Geräts angebracht werden.
- Bringen Sie den Wandaufhängungshaken am Fernseher an, so wie es der Hersteller des Hakens empfiehlt.

Bei der Befestigung von Wandhalterungen am Modell 50" empfehlen wir anstelle der Schrauben der TV-Wandmontagelöcher die Verwendung von längeren Schrauben und Abstandhaltern, die im Zubehörpaket enthalten sind. Bitte stecken Sie Abstandhalter in die TV-Wandbefestigungslöcher auf der Rückseite des Fernsehers und befestigen Sie daran die Wandhalterungen. Befestigen Sie die Halterungen und Abstandhalter mit längeren Schrauben am Fernseher, wie unten dargestellt:



- TV
- ABSTANDHALTER
- SCHRAUBE

**HINWEIS:** Der Fernseher und der in der Abbildung gezeigte Wandhalterungstyp dienen nur zu Illustrationszwecken.

## Anschlüsse

Für den Anschluss externer Geräte, siehe die letzte Seite dieses Benutzerhandbuchs.

## Erste Schritte - Ersteinrichtung

- Benutzen Sie das HF-Kabel, um den Fernseher mit der Fernsehantennen-Wandsteckdose zu verbinden.
- Zum Anschluss Ihres Fernsehgeräts über Ihr/en Breitband Router oder Modem an das Internet mit einem Netzwerkabel verwenden Sie bitte ein Cat5-Ethernetkabel.
- Legen Sie die mitgelieferten Batterien in die Fernbedienung ein.
- Stecken Sie das Stromkabel in eine Steckdose.
- Fahren Sie nun mit den nächsten Schritten fort, um den Fernseher zu konfigurieren.
- Nachdem Einschalten des Fernsehers, werden Sie durch das **Erste Installation** Menü begrüßt. Wenn er nicht erscheint, drücken Sie bitte auf der Fernbedienung auf [MENU], dann auf 8-8-8 und das Menü wird erscheinen. Verwenden Sie bitte die **▲/▼/◀/▶** Richtungstasten, wenn Sie Standardeinstellungen verändern möchten. Drücken Sie auf den [EXIT] Knopf um das Menü zu verlassen.
- Bitte nehmen Sie im ERSTEINRICHTUNG Bildschirm die gewünschten Änderungen vor.**

## TV-Knöpfe\*

**Vol+** Lautstärke auf und Menü rechts

**Vol-** Lautstärke ab und Menü rechts

**CH+** Programm/Kanal auf und Menü auf

**CH-** Programm/Kanal ab und Menü ab

**MENU** Zeigt das Menü/OSD-Menü an

**SOURCE** Zeigt das Eingangsquellenmenü an

**STANDBY** Standby Strom Ein/Aus

\* - für TV-Geräte mit Tasten

## TV Steuerknopf\*

Der TV Steuerknopf befindet sich an der Rückseite des TV an der linken unteren Seite. Sie können diesen anstatt der Fernbedienung nutzen, um die meisten der Funktionen Ihres TV einzustellen.

### Während der TV im Standby Modus ist:

- Kurzes Drücken – Einschalten.

### Während der TV in Betrieb ist:

- Rechts/Links – Lautstärke erhöhen oder verringern.
- Oben/Unten – Wechsel des Kanals.
- Kurzes Drücken – Menü anzeigen.
- Langes Drücken – In Standby schalten.

### Während Sie im Menü sind:

- Rechts/Links/Oben/Unten – Navigation des Zeigers im Bildschirmmenü.
- Kurzes Drücken – OK/Auswahl treffen.
- Langes Drücken – Zurück zum vorhergehenden Menüpunkt.

\* - **für ein TV-Gerät mit einem Kontrollstab**

## Eingang/Quellen Modus auswählen

Um zwischen den verschiedenen Eingängen/Buchsen umzuschalten.

### a) Verwendung der Knöpfe auf der Fernbedienung:

1. Druck auf [SOURCE/☐] - Das Quellenmenü erscheint.
2. Drücken Sie auf [◀] oder [▶], um den gewünschten Eingang auszuwählen
3. Drücken Sie auf [OK].

### b1) Verwendung der Knöpfe\* an Ihrem Fernseher:

1. Drücken Sie auf [SOURCE]:
2. Scrollen Sie mit den VOL+/VOL- Knöpfen auf- und abwärts zur gewünschten Quelle/Eingang
3. Drücken Sie auf [SOURCE], um den/die ausgewählte/n Eingang/Quelle zu verändern.

### b2) Nutzen des TV Steuerknopfes\*:

1. Kurzes Drücken des Steuerknopfes, um in das Menü zu gelangen.
2. Steuerknopf nach unten drücken, und den Zeiger zum „SOURCES“ Menü führen.
3. Kurzes Drücken des Steuerknopfes, um in das „SOURCES“ Menü zu gelangen.
4. Mit dem Steuerknopf das Eingangssignal auswählen, welches Sie wünschen.
5. Kurzes Drücken des Steuerknopfes, um die Eingangsquelle zu bestätigen.

\* - **optional**

## TV Menünavigation

Drücken Sie auf der Fernbedienung den [MENU] Knopf, um dieses Menü aufzurufen. Um ein Menü zu öffnen, drücken Sie [OK], Verwenden Sie bitte die ▲/▼/◀/▶ Richtungstasten, wenn Sie Standardeinstellungen verändern möchten. Drücken Sie den [OK] Knopf, um Einstellungen zu bestätigen. Drücken Sie auf den [EXIT] Knopf um das Menü zu verlassen.

## E-Handbuch

Um das Online-Handbuch aufzurufen, drücken Sie die Schaltfläche [MENU] (Menü) und wählen Einstellungen > Über den Fernseher > Hilfe-Informationen > Online-Handbuch ansehen.

## Fernbedienung

Schauen Sie in das On-Screen-Handbuch auf dem TV-Gerät.

## USB Aufzeichnung - Digitalmodus

Die PVR Funktion ist in Deutschland, Österreich und der Schweiz nicht verfügbar.

## Importantes consignes de sécurité



**Svp, lire ces consignes de sécurité et respecter les avertissements suivants avant que l'appareil ne soit actionné:**

**Afin d'éviter un incendie, maintenir toujours les bougies et autres flammes nues éloignées de ce produit.**



- Les télévisions avec écran de 43" ou plus doivent être soulevées et portées par au moins deux personnes.
- Cette TV ne contient aucune pièce qui pourrait être réparée par l'utilisateur. En cas de défaut, contacter le fabricant ou l'agent autorisé qui assure le service après-vente. Le contact avec certaines parties situées à l'intérieur de la TV pourrait mettre votre vie en danger. La garantie ne couvre pas les défauts provoqués par des réparations effectuées par des tiers non autorisés.
- Ne pas enlever la partie arrière de l'appareil.
- Cet appareil est conçu pour la réception et la reproduction des signaux vidéos et sonores. Toute autre utilisation est interdite.
- Ne pas exposer la TV aux égouttements ou éclaboussures de liquides.
- Pour déconnecter la télévision de l'alimentation électrique, veuillez débrancher la fiche de la prise d'alimentation.
- Si le cordon d'alimentation est endommagé, il doit être remplacé par le fabricant, un agent du service après-vente ou des personnes de qualifications similaires afin d'éviter un risque.
- La distance conseillée pour regarder la TV HD est d'environ 5 fois la hauteur de l'écran. Les réflexions d'autres sources lumineuses sur l'écran peuvent altérer la qualité de l'image.
- S'assurer que la TV dispose d'une ventilation suffisante et qu'elle n'est pas à proximité d'autres appareils et d'autres meubles.
- Pour la ventilation, installer le produit à 5 cm du mur au minimum.
- S'assurer que les ouvertures de ventilation sont dégagées des articles tels que des journaux, des nappes de table, des rideaux, etc....
- La TV est conçue pour être employée sous un climat modéré.
- La TV est conçue exclusivement pour une utilisation dans un endroit sec. Quand on utilise la TV à l'extérieur, s'assurer qu'elle est protégée contre l'humidité (pluie, éclaboussures d'eau). Ne jamais exposer la TV à l'humidité.
- Ne placez pas d'objets, de récipients remplis de liquide, comme des vases, etc., sur la télévision. Ces récipients pourraient être renversés, ce qui mettrait en danger la sécurité électrique. Placer la TV exclusivement sur des surfaces plates et stables. Ne placer aucun objet tel qu'un journal ou une couverture, etc. sur ou sous la TV.
- S'assurer que l'appareil n'est posé sur aucun câble électrique qui pourrait ainsi être endommagé. Les téléphones mobiles et autres dispositifs tels que les adaptateurs WLAN (Réseau local sans fil), les caméras de surveillance avec transmission sans fil du signal, etc. peuvent causer de l'interférence électromagnétique et ne devraient pas être placés près de l'appareil.
- Ne pas placer l'appareil près d'éléments chauffants ou dans un endroit exposé à la lumière directe du soleil cela ayant un effet négatif sur le refroidissement de l'appareil. La chaleur accumulée est dangereuse et

peut sérieusement réduire la vie de l'appareil. Afin d'assurer la sécurité, demander à une personne qualifiée d'enlever la poussière de l'appareil.

- Essayer d'empêcher l'endommagement des câbles ou adaptateurs du secteur. L'appareil ne peut être connecté qu'aux câbles ou adaptateurs du secteur.
- Les orages sont dangereux pour tous les appareils électriques. Si le secteur ou le câblage aérien est frappé par la foudre, l'appareil peut être endommagé, même s'il était éteint. Il faudrait débrancher tous les câbles et connecteurs de l'appareil avant un orage.
- Pour nettoyer l'écran de l'appareil, utiliser seulement un tissu humide et doux. Employer seulement de l'eau propre, jamais de détergents et en aucun cas des dissolvants.
- Placer la TV près du mur pour éviter la possibilité de la faire tomber en la poussant.
- AVERTISSEMENT - Ne placez jamais une télévision dans un emplacement instable. Une télévision peut tomber, causant de graves blessures corporelles, voire la mort. De nombreuses blessures, particulièrement chez les enfants, peuvent être évitées en prenant de simples précautions telles que :
  - Utiliser des meubles de télévision recommandés par le fabricant.
  - N'utiliser que des meubles pouvant supporter la télévision de manière sûre.
  - S'assurer que la télévision ne dépasse pas du bord du meuble la supportant.
  - Ne pas placer la télévision sur un haut meuble (par exemple, armoire ou étagères) sans ancrer le meuble et la télévision à un support adapté.
  - Ne pas placer la télévision sur un tissu ou autre matériau pouvant être entre la télévision et le meuble de support.
  - Éduquer les enfants sur les dangers de grimper sur les meubles pour atteindre la télévision ou ses commandes.
  - S'assurer que les enfants ne puissent pas grimper ou attraper la télévision.
  - Si votre télévision existante est conservée et changée d'emplacement, les considérations ci-dessus s'appliquent aussi.
- Les instructions exposées ci-dessous sont une manière plus sûre d'installer la TV par fixation murale, supprimant ainsi la possibilité qu'elle tombe vers l'avant et provoque des blessures et des dégâts.
- Pour ce type d'installation une corde d'attache est nécessaire
  - A) En utilisant un ou deux trous pour la fixation murale et les vis (les vis sont déjà fournies dans les trous pour la fixation murale), attacher une extrémité de la corde d'attache à la TV.
  - B) Fixer l'autre extrémité de la corde d'attache au mur.
- Le logiciel sur votre TV et la disposition du menu à l'écran (OSD) peuvent être changés sans communication préalable.
- Note : En cas de décharge électrostatique (ESD), l'appareil peut fonctionner de manière inappropriée. Dans ce cas, éteignez et rallumez le téléviseur. Le téléviseur se remettra à fonctionner normalement.

### Avertissement:

- N'utilisez pas de télévision directement après déballage. Attendez que la télévision se réchauffe à la température ambiante avant de l'utiliser.
- Ne jamais relier un dispositif externe à un appareil sous tension. Éteindre non seulement la TV mais également les dispositifs qui lui sont reliés! Re-lie la fiche de la TV à la prise murale après avoir relié tous les dispositifs externes et l'antenne!
- Assurer toujours le libre accès à la fiche secteur de la TV.
- L'appareil n'est pas conçu pour un usage dans un lieu de travail équipé de moniteurs.
- L'utilisation systématique des écouteurs à un niveau de volume élevé peut conduire à des dommages irréversibles de l'audition.
- Assurer l'élimination de cet appareil et de tous les composants y compris les batteries, en conformité avec les normes environnementales. Dans le doute, entrer en contact avec l'autorité locale pour les détails concernant le recyclage.
- Tout en installant l'appareil, se souvenir que les surfaces des meubles sont traitées avec divers vernis, plastiques, etc. ou qu'elles peuvent être cirées. Les produits chimiques contenus dans ces produits peuvent

avoir une réaction avec le support de la TV. Ceci pourrait faire que des morceaux de matériaux collent à la surface des meubles, qu'il sera difficile d'enlever, voire impossible.

- L'écran de la TV a été fabriqué selon des conditions de qualité supérieure et a été examiné en détail plusieurs fois, pour déceler les pixels défectueux. En raison des propriétés technologiques du processus de fabrication, il n'est pas possible d'éliminer l'existence d'un nombre restreint de points défectueux sur l'écran (même avec soin extrême, au cours de la production). Ces pixels défectueux ne constituent pas un défaut en termes de condition de garantie si leur ampleur n'est pas plus grande que les limites définies par la norme DIN.
- Le fabricant ne saurait être tenu responsable de tout problème lié au service client relatif au contenu ou aux services d'une tierce partie. Tout commentaire, question ou service relatif aux blessures résultant d'un contenu ou service tiers doit être dirigé au fournisseur du contenu ou service approprié.
- Il existe de nombreuses raisons pouvant vous empêcher d'accéder au contenu ou aux services de l'appareil non directement liées à l'appareil, y compris, mais non limitées à, une panne de courant, un problème de connexion internet ou de configuration de votre appareil. UMC Poland, ses directeurs, employés, agents, prestataires et affiliés ne sauraient être tenus responsables de vous ou de tout autre tierce partie quant à de telles pannes ou problèmes de maintenance, quelle que soit la cause ou que le problème n'ait pu ou non être évité.
- Tous les contenus et services tiers accessibles via cet appareil vous sont fournis « tel quel » et « tel que disponible » et UMC Poland et ses affiliés ne sauraient formuler aucune garantie ou représentation de quelque nature que ce soit, expresse ou tacite, y compris, mais sans s'y limiter, d'absence de contrefaçon, d'adéquation à un usage particulier, de disponibilité, de précision, de complétude, de sécurité, de titre, d'utilité, de manque de négligence ou d'erreur, de fonctionnement ininterrompu ou d'utilisation du contenu ou des services fournis ou du contenu ou que le contenu ou les services répondront à vos exigences et attentes.
- « UMC Poland » n'est pas un agent de tels fournisseurs tiers et n'assume aucune responsabilité des actes et omissions de tels fournisseurs tiers de contenu ou de services, ou de tout aspect du contenu ou des services liés à de tels fournisseurs.
- En aucun cas « UMC Poland » et/ou ses affiliés ne pourront être tenus responsables envers vous ou un tiers de tout dommage direct, indirect, accidentel, punitif, consécutif ou tout autre type de dommage, que la responsabilité soit faite sur la base d'un contrat, de la responsabilité civile, d'une violation de garantie, d'une responsabilité stricte ou autre et que UMC Poland et/ou ses affiliés n'aient été ou non avisés de la possibilité de telles dommages.
- **Ce produit contient une technologie soumise à certains droits de propriété intellectuelle de Microsoft. L'utilisation ou la distribution de cette technologie en dehors de ce produit est interdite sans la (les) licence (s) appropriée (s) de Microsoft.**
- **Les propriétaires de contenu utilisent la technologie d'accès au contenu Microsoft PlayReady™ pour protéger leur propriété intellectuelle, y compris le contenu protégé par le droit d'auteur. Cet appareil utilise la technologie PlayReady pour accéder à du contenu protégé par PlayReady et / ou protégé par WMDRM. Si l'appareil ne parvient pas à appliquer correctement les restrictions sur l'utilisation du contenu, les propriétaires de contenu peuvent demander à Microsoft de révoquer la capacité de l'appareil à utiliser du contenu protégé par PlayReady. La révocation ne doit pas affecter le contenu non protégé ou le contenu protégé par d'autres technologies d'accès au contenu. Les propriétaires de contenu peuvent vous demander de mettre à niveau PlayReady pour accéder à leur contenu. Si vous refusez une mise à niveau, vous ne pourrez pas accéder au contenu nécessitant la mise à niveau.**

## Information importante concernant l'utilisation des jeux vidéos, des ordinateurs, des légendes et d'autres affichages d'image fixe.

- L'utilisation prolongée du matériel d'émission d'image fixe peut causer une "image fantôme" permanente sur l'écran LCD (ceci étant désigné parfois inexactement "brûlure d'écran"). Cette image fantôme est alors visible de manière permanente sur l'écran d'arrière-plan. C'est un dommage irréversible. Il est possible d'éviter de tels dommages en suivant les instructions suivantes ci-dessous:
- Ramener le réglage de la luminosité ou du contraste à un niveau minimum de visibilité.
- Ne pas afficher l'image fixe pendant une longue période. Éviter l'affichage de:
  - » l'horaire de télétexte et les diagrammes,
  - » le menu de la TV ou du DVD, par exemple le contenu du DVD,
  - » En mode „Pause“ (maintien) : Ne pas employer ce mode longtemps, par exemple tout en observant un DVD ou une vidéo.
  - » Arrêter s'il n'est pas utilisé.

## Batteries

- Observer la polarité correcte en insérant les batteries.
- Ne pas exposer les batteries aux températures élevées et ne pas les placer dans des endroits où la température pourrait augmenter rapidement, par exemple près d'un feu, ou directement à la lumière solaire.
- Ne pas exposer les batteries à la chaleur rayonnante excessive, ne pas les jeter au feu, ne pas les démonter et ne pas essayer de
- recharger les batteries non-rechargeables. Elles peuvent fuir ou exploser.
  - » Ne jamais utiliser ensemble des batteries différentes ou mélanger les neuves et les usagées.
  - » Se débarrasser des batteries d'une manière respectueuse de l'environnement.
  - » La plupart des pays de l'Union Européenne règlent par la loi la mise au rebut des batteries.



## ATTENTION :

- PRODUIT LASER CLASSE 1 (s'applique au modèle avec lecteur DVD intégré). Cette étiquette d'avertissement est située sur le panneau arrière de l'unité.
- CE PRODUIT EST CLASSÉ COMME PRODUIT LASER CLASSE 1. L'UNITÉ UTILISE UN FAISCEAU LASER VISIBLE QUI PEUT CAUSER UNE EXPOSITION À DES RADIATIONS DANGEREUSES SI DIRIGÉ. ASSUREZ-VOUS D'UTILISER LE LECTEUR CORRECTEMENT TEL QU'INDIQUÉ.
- LORSQUE CETTE UNITÉ EST BRANCHÉE À UNE PRISE DE COURANT MURALE, NE PLACEZ PAS VOS YEUX PRÈS DE L'OUVERTURE POUR REGARDER À L'INTÉRIEUR DE L'UNITÉ.
- L'UTILISATION DE COMMANDES OU DE RÉGLAGES OU L'EXÉCUTION DE PROCÉDURES AUTRES QUE CELLES STIPULÉES DANS CE DOCUMENT PEUT EXPOSER L'UTILISATEUR À DES RADIATIONS DANGEREUSES.
- N'OUVREZ PAS L'UNITÉ ET NE LA RÉPAREZ PAS PAR VOUS-MÊME. RÉFÉREZ-VOUS À DU PERSONNEL QUALIFIÉ POUR TOUS TRAVAUX D'ENTRETIEN.

## Mise au rebut

- Ne pas se débarrasser de la TV avec les déchets ménagers non triés. La renvoyer à un point de ramassage indiqué pour le recyclage WEEE (déchets d'équipements électriques et électroniques). Agir ainsi, aide à conserver les ressources et à
- protéger l'environnement. Entrer en contact avec le détaillant ou les autorités locales pour plus d'information.



## Déclaration CE :

- Par la présente, UMC Poland Sp. z o.o. déclare que cette TV LED est conforme aux principales exigences et autres clauses pertinentes de la directive RED 2014/53/EU. [www.sharpconsumer.eu/documents-of-conformity/](http://www.sharpconsumer.eu/documents-of-conformity/)  
Le texte intégral de la déclaration de conformité de l'UE est disponible en cliquant sur le lien suivant : [www.sharpconsumer.eu/documents-of-conformity/](http://www.sharpconsumer.eu/documents-of-conformity/)  
Cet équipement peut fonctionner dans tous les pays de l'UE.  
Puissance de transmission Wi-Fi max. : 100 mW à 2,412 GHz – 2,472 GHz

## Ce qui est inclus dans la boîte

### La fourniture de cette TV inclut les pièces suivantes:

- |                   |   |
|-------------------|---|
| • 1x TV           | • 1x Paquet d'installation de support TV                              |
| • 1x Télécommande | • 1x Guide de démarrage rapide  |
| • 2x batterie AAA | • 1x kit de montage mural (4x vis M6x35 et 4x espaceur en plastique)* |

\* **Uniquement disponible pour les modèles 50"**

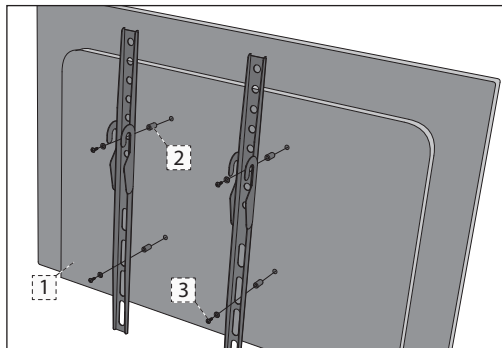
## Fixation du support

Suivez les instructions de la notice technique, qui se trouve dans le sac d'accessoires.

## Fixation murale de la TV

- Retirez les quatre vis fournies des trous de montage mural
- Vous pouvez maintenant facilement fixer le support mural sur les trous de montage à l'arrière de la TV.
- Installez le support de montage mural sur la télévision, selon les instructions du fabricant du support.

Lorsque vous fixez les supports du montage mural sur un modèle 50", au lieu des vis fournies dans les trous du montage mural TV, nous recommandons l'utilisation de vis et d'espaceurs plus longs inclus dans le pack d'accessoires. Veuillez placer des espaceurs dans les trous de montage du téléviseur, situés à l'arrière du téléviseur, puis placez les supports muraux sur ceux-ci. Fixez les supports et les espaceurs au téléviseur à l'aide de vis plus longues, comme illustré ci-dessous :



1. TV
2. ESPACEUR
3. VIS

**REMARQUE :** Le téléviseur et le type de support mural représenté sur le schéma sont uniquement à titre d'illustration.

## Connexions

Pour la connexion d'appareils externes, lisez la dernière page de ce manuel.

## Pour commencer - mise en place initiale

- En utilisant le câble RF, reliez la TV à la prise murale de l'antenne TV.
- Pour raccorder à internet avec une connexion filaire, connectez un câble Ethernet/Cat 5 (non compris) entre votre TV et votre modem/ routeur haut débit.
- Insérer les batteries fournies dans la télécommande.
- Connectez le câble d'alimentation à la prise électrique.
- Passez maintenant aux étapes suivantes pour configurer la TV.
- Après avoir allumé la TV, vous verrez le menu **Installation initiale**. Si la vue n'apparaît pas, appuyez sur [MENU] sur la télécommande puis 8-8-8-8 et le menu apparaîtra. Pour modifier l'un de ces réglages par défaut, utilisez les boutons de défilement ▲/▼/◀/▶. Pour quitter le menu à tout moment, appuyez sur le bouton [EXIT].
- Mettre en place les réglages souhaités dans la vue Première installation.**

## Boutons\* TV

**Vol+** Volume vers le haut et menu de droite

**Vol-** Volume vers le bas et menu de gauche

**CH+** Programme/Canal vers le haut et menu vers le haut

**CH-** Programme/Canal vers le bas et menu vers le bas

**MENU** Affiche le Menu/OSD

**SOURCE** Affiche le menu de la source d'entrée

**STANDBY** Marche/Arrêt de la mise en veille

\* - **pour TV avec boutons**

## Stick\* de contrôle TV

Le stick de contrôle TV est situé près du coin inférieur gauche de la partie arrière de la TV. Vous pouvez l'utiliser à la place de la télécommande pour contrôler la plupart des fonctions de votre TV.

**Lorsque la TV est en mode veille :**

- pression brève du stick de contrôle - Mise en route

**Lorsque vous regardez la TV :**

- GAUCHE/DROITE – volume haut/bas
- HAUT/BAS – chaîne suivante/précédente
- pression brève - Affiche le menu
- pression longue - Mise en veille

**Dans le menu:**

- GAUCHE/DROITE/HAUT/BAS – navigation du curseur sur les menus à l'écran
- pression brève - OK/Con firmer l'élément sélectionné
- pression longue - Retour au menu précédent

\* - **pour TV avec levier de commande**

## Choix du mode Entrée/Source d'entrée

Pour commuter entre les différentes entrées/connexions.

### a) En utilisant les boutons de la télécommande:

1. Presser [SOURCE/□] - Le menu de la source apparaît.
2. Presser [◀] ou [▶] pour sélectionner l'entrée recherchée.
3. Presser [OK].

### b1) En utilisant les boutons\* de la Télévision :

1. Presser [SOURCE].
2. Défiler vers le haut / bas en utilisant les boutons VOL+/VOL- à la recherche de l'entrée/source désirée.
3. Presser [SOURCE] pour changer l'entrée/source vers celle sélectionnée.

### b2) Utilisation du stick\* de contrôle TV :

1. Pressez brièvement le stick de contrôle pour entrer dans le menu.
2. Pressez le stick de contrôle vers le bas et naviguez vers le menu SOURCES.
3. Pressez brièvement le stick de contrôle pour entrer le menu SOURCES.
4. Avec le stick de contrôle, choisissez l'entrée ou la source requise.
5. Avec une pression brève du stick de contrôle, vous changerez l'entrée ou la source tel que désiré.

\* - **facultatif**

## Navigation du menu TV

Presser le bouton [MENU] de la télécommande pour accéder au menu. Presser [OK] pour entrer un menu. Pour modifier l'un de ces réglages par défaut, utiliser les boutons de défilement (▲/▼/◀/▶). Presser le bouton [OK] pour confirmer les réglages. Pour quitter le menu à tout moment, presser le bouton [EXIT] (Sortie).

## Manuel d'instructions électronique

Pour lancer le manuel en ligne, appuyez sur la touche [MENU], puis sélectionnez Configuration> À propos du téléviseur> Informations d'aide> Afficher le manuel en ligne.

## Télécommande

Voir le manuel à l'écran sur la TV

## Importanti istruzioni di sicurezza



**Vi preghiamo di leggere queste istruzioni di sicurezza e di rispettare le seguenti avvertenze prima di mettere in funzione l'apparecchio:**

**Per evitare incendi, tenete sempre lontane dall'apparecchio candele e qualunque altro tipo di fiamma.**



- Cercate di evitare danni al cavo o all'adattatore principali. L'apparecchio può essere collegato solamente con il cavo/adattatore principale fornito.
  - I temporali sono pericolosi per gli apparecchi elettronici. Se i cavi della rete elettrica o l'antenna vengono colpiti da un fulmine, l'apparecchio potrebbe risultarne danneggiato, anche se spento. E' opportuno scollegare tutte i cavi e i connettori dell'apparecchio prima di un temporale.
  - per pulire lo schermo dell'apparecchio usate solo un panno morbido e umido. Usate solo dell'acqua, non usate mai detersivi, e in nessun caso solventi.
  - Posizionate il televisore vicino al muro per evitare che cada se viene urtato.
  - **AVVERTENZA** - non collocare in nessun caso un televisore in una posizione instabile. Il televisore potrebbe cadere, provocando gravi danni alle persone o la morte. Molti danni, in particolare ai bambini, possono essere evitati prendendo semplici precauzioni come:
    - Usare i gabinati o i supporti raccomandati dal produttore del televisore.
    - Usare esclusivamente mobili capaci di sostenere in modo sicuro il televisore.
    - Assicurarsi che il televisore non penda dal bordo del mobile di supporto.
    - Non collocare il televisore su mobili troppo alti (per esempio, armadi o librerie) senza ancorare il mobile e il televisore a un supporto adeguato.
    - Non collocare il televisore su panni o altri materiali collocati tra il televisore e il mobile di supporto.
  - Istruire i bambini sui pericoli derivanti dall'appendersi ai mobili per raggiungere il televisore o i relativi controlli.
  - Assicurarsi che i bambini non si arrampichino o si appendano alla TV.
  - Se il televisore attuale viene conservato o ricollocato, applicare le precedenti istruzioni.
  - Le istruzioni mostrate qui di seguito servono per installare in maniera più sicura il televisore fissandolo al muro, così da evitare che possa cadere in avanti e causare danni a cose e persone.
  - Per questo tipo di installazione avete bisogno di un cavo di fissaggio.
    - A) Usando uno o entrambe i fori superiori di montaggio a muro e le viti (le viti sono già fornite nei fori di montaggio a muro), fissate un'estremità al cavo o ai cavi di fissaggio al televisore.
    - B) Agganciate l'altra estremità del cavo o dei cavi di fissaggio alla parete.
  - Il software sul televisore e il layout OSD possono essere modificati senza preavviso.
  - Nota: in caso di scarica elettrostatica (ESD) l'apparecchio potrebbe non funzionare correttamente. In tali casi, spegnere e riaccendere il televisore. Il televisore funzionerà normalmente.
- ### Avvertenza:
- Non usare la TV subito dopo l'apertura dell'imballaggio. Attendere che la TV si riscaldi fino a temperatura ambiente prima di usarla.
  - Non collegare mai apparecchi esterni a un apparecchio acceso. Spegnete non solo il televisore, ma anche gli apparecchi che sono collegati! Inserite la spina del televisore nella presa a muro dopo aver collegato gli apparecchi esterni e l'antenna!
  - Assicuratevi sempre che ci sia libero accesso alla spina principale del televisore.
  - L'apparecchio non è stato progettato per un utilizzo in un luogo di lavoro attrezzato con monitor.
  - L'uso sistematico di cuffie ad alto volume può portare a danni irreversibili all'udito.
  - Assicuratevi che questo apparecchio venga smaltito correttamente in ogni sua parte, comprese le batterie. Se avete qualche dubbio, contattate l'autorità locale per i dettagli riguardo il riciclaggio.
  - Mentre installate l'apparecchio, non dimenticate che le superfici dei mobili vengono trattate con diverse vernici, materie plastiche ecc, o potrebbero essere lucidate. I componenti chimici contenuti in questi prodotti potrebbero fare reazione con il supporto del televisore. Ne potrebbe risultare che dei pezzetti di materiale si attacchino alla superficie del mobile rendendo difficile, se non impossibile, la loro rimozione.
  - Lo schermo del vostro televisore è stato prodotto con parametri di altissima qualità ed è stato controllato più volte nel dettaglio per evitare che restino pixel difettati. A causa delle proprietà tecnologiche del processo di produzione, non è possibile eliminare del tutto un seppur
- I set di televisori con schermi da 43" o superiori devono essere sollevati e trasportati da almeno due persone.
  - Questo televisore non ha componenti che possano essere riparate dall'utente. In caso di difetto, contattate il produttore o l'agente di servizio autorizzato. Il contatto con alcune parti interne del televisore potrebbe mettervi in pericolo di vita. La garanzia non copre difetti causati da riparazioni effettuate da terze parti non autorizzate.
  - Non rimuovete la parte posteriore dell'apparecchio.
  - Questo apparecchio è stato disegnato per la ricezione e la riproduzione di segnali audio e video. Qualunque altro utilizzo è severamente vietato.
  - Non mettete il televisore in condizioni da ricevere schizzi o gocce d'acqua.
  - Per disconnettere la TV dalla presa, scollegare la spina dallo zoccolo della presa.
  - Se il cavo di alimentazione è rovinato, deve essere sostituito dal produttore, da un agente di servizio o da persone similmente qualificate, in modo da evitare pericoli.
  - La distanza raccomandata per guardare la TV HD è circa cinque volte maggiore all'altezza dello schermo. Altre fonti di luce che si riflettono sullo schermo possono peggiorare la qualità dell'immagine.
  - Assicuratevi che il televisore sia collocato in un posto sufficientemente ventilato e che non sia vicino ad altri apparecchi o mobili.
  - Posizionate il prodotto ad almeno 5cm dal muro per favorire la ventilazione.
  - Assicuratevi che le aperture per la ventilazione siano sgombrere da oggetti come giornali, tovagli, tendaggi ecc.
  - Il televisore è stato progettato per l'utilizzo in un clima temperato.
  - Il televisore è stato progettato per funzionare esclusivamente in un ambiente asciutto. Quando usate il televisore all'aperto, assicuratevi che sia protetto dall'umidità (pioggia, acqua). Non esponetelo mai all'umidità.
  - Non collocare oggetti, contenitori con liquidi, come vasi, ecc. sulla TV. Potrebbero essere accidentalmente urtati, minando così la sicurezza elettrica. Posizionate il televisore solamente su superfici piatte e stabili. Non mettete alcun oggetto, come giornali o coperte, sopra o sotto il televisore.
  - Assicuratevi che l'apparecchio non poggi su cavi elettrici, perché questi potrebbero rovinarsi. Telefoni cellulari e altri apparecchi, come adattatori WLAN, telecamere di sorveglianza con trasmissione di segnale wireless ecc. potrebbero causare interferenze elettromagnetiche e non dovrebbero quindi essere posizionati vicino all'apparecchio.
  - Non mettete l'apparecchio vicino a termosifoni o in posti con la luce diretta del sole: questo potrebbe avere un effetto negativo sul raffreddamento dell'apparecchio. L'accumulo di calore è pericoloso e può seriamente ridurre la durata di vita dell'apparecchio. Per garantire la sicurezza, chiedete a del personale qualificato di togliere lo sporco dall'apparecchio.

minimo numero di pixel difettosi sullo schermo (nonostante la massima cura durante la produzione). Questi pixel difettosi non sono considerati difetti in termini di condizioni di garanzia se la loro entità non supera i limiti definiti dalla norma DIN.

- Il produttore non è responsabile, né sarà ritenuto responsabile, di inconvenienti legati al servizio clienti con riferimento a servizi o contenuti di terze parti. Eventuali domande, commenti o dubbi sui servizi legati a servizi o contenuti di terze parti devono essere rivolti direttamente al fornitore del servizio o contenuto applicabile.
- Esistono numerose ragioni per le quali potrebbe non essere possibile effettuare l'accesso ai contenuti o ai servizi dal dispositivo non dipendenti dal dispositivo stesso, incluse, senza limitazione, interruzione di corrente, connessione internet, o impossibilità di configurare correttamente il proprio dispositivo. UMC Poland, i suoi direttori, funzionari, dipendenti, agenti, contraenti e affiliati non sono responsabili nei confronti del cliente o di eventuali terze parti relativamente a tali inconvenienti o interruzioni di manutenzione, indipendentemente dalla causa o dal fatto che possano essere evitate o meno.
- Tutti i contenuti o i servizi di terzo parti accessibili tramite questo dispositivo sono forniti "come sono" e "come disponibile" e UMC Poland e le proprie affiliate non forniscono garanzie o dichiarazioni di alcun tipo, implicite o esplicite, incluse, senza limitazione, garanzie di commercialità, assenza di violazione, idoneità per uno scopo specifico o eventuali garanzie di idoneità, disponibilità, accuratezza, completezza, sicurezza, titolo, utilità, assenza di negligenza o di uso o funzionamento senza errori o interruzioni o uso del contenuto o dei servizi forniti tali da indicare che i contenuti o i servizi soddisfaranno i requisiti o le aspettative.
- 'UMC Poland' non è un agente e non si assume responsabilità alcuna per gli atti o le omissioni dei fornitori di contenuti o servizi di terze parti, né di alcun aspetto specifico dei contenuti o servizi relativi a detti fornitori di terze parti.
- In nessun caso 'UMC Poland' e/o le proprie affiliate saranno responsabili nei confronti del cliente o di terze parti per eventuali danni diretti, indiretti, speciali, incidentali, punitivi, consequenziali o di altro tipo, indipendentemente dal fatto che l'ipotesi di responsabilità sia basata su contratto, torto, negligenza, violazione della garanzia, responsabilità oggettiva o altro e indipendentemente dal fatto che UMC Poland e/o le proprie affiliate siano state avvisate della possibilità che si verifichino tali danni.
- **Questo prodotto contiene tecnologia soggetta a determinati diritti di proprietà intellettuale di Microsoft. L'utilizzo o la distribuzione di questa tecnologia al di fuori di questo prodotto sono proibiti senza il possesso degli appropriati permessi da parte di Microsoft.**
- **I proprietari dei contenuti utilizzano la tecnologia di accesso ai contenuti Microsoft PlayReady™ per proteggere la propria proprietà intellettuale, inclusi i contenuti protetti da copyright. Questo dispositivo utilizza la tecnologia PlayReady per accedere a contenuti protetti da PlayReady e/o da WMDRM. Se il dispositivo non dovesse riuscire ad applicare efficacemente le restrizioni all'utilizzo dei contenuti, i proprietari di questi ultimi potrebbero richiedere a Microsoft di revocare la possibilità del dispositivo di usufruire di contenuti protetti da PlayReady. La revoca non dovrebbe avere ripercussioni su contenuti non protetti oppure protetti da altre tecnologie di accesso a contenuti. I proprietari dei contenuti potrebbero richiedere all'utente di effettuare l'upgrade di PlayReady per accedere ai loro contenuti. In caso di rifiuto a eseguire l'upgrade, non sarà possibile accedere ai contenuti che lo richiedono.**

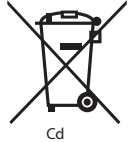
## Informazioni importanti riguardo l'uso di videogiochi, computer, sottotitoli e altre visualizzazioni di immagini fisse.

- L'uso intenso del programma per immagini fisse può causare un' "immagine ombra" permanente sullo schermo LCD (a volte ci si riferisce erroneamente a questo fenomeno come al "surriscaldamento dello schermo") Questa immagine ombra è poi visibile in maniera permanente sullo sfondo dello schermo. E' un danno irreversibile. Potete evitare questo tipo di danno seguendo le istruzioni che seguono:

- Riducete al minimo il livello visivo di luminosità/contrasto.
- Non visualizzate immagini fisse troppo a lungo. Evitate la visualizzazione di:
  - » ora e tabelle televisive,
  - » menù di TV/DVD, per esempio i contenuti dei DVD,
  - » modalità "Pausa" (tenuta): Non utilizzate questa modalità per lunghi periodi, per esempio mentre guardate un DVD o un video.
  - » Spegnete l'apparecchio se non lo state usando.

## Batterie

- Rispettate la corretta polarità quando inserite le batterie.
- Non esponete le batterie ad alte temperature e non mettetele in posti in cui la temperatura possa aumentare velocemente, per esempio vicino a una fiamma o alla luce diretta del sole.
- Non esponete le batterie a un eccessivo calore radiante, non gettatele nel fuoco, non smontatele e non cercate di ricaricarle se non sono ricaricabili. Potrebbero avere perdite o esplodere.
  - » Non usate mai batterie di marche diverse insieme, né mescolatene di vecchie con delle nuove.
  - » Smaltite le batterie in modo ecologico e rispettoso dell'ambiente.
  - » La maggior parte dei paesi dell'UE regola lo smaltimento delle batterie a norma di legge.



## ATTENZIONE:

- QUESTA UNITÀ È UN PRODOTTO LASER CLASSE 1. QUESTA UNITÀ USA UN RAGGIO LASER VISIBILE CHE POTREBBE CAUSARE RADIAZIONI PERICOLOSE IN CASO DI ESPOSIZIONE. ACCERTARSI DI UTILIZZARE CORRETTAMENTE IL LETTORE SECONDO LE ISTRUZIONI.
- QUANDO QUESTA UNITÀ È CONNESSA ALLA PRESA A PARETE, NON AVVICINARE GLI OCCHI ALLE APERTURE PER GUARDARE ALL'INTERNO DELL'UNITÀ.
- L'USO DEI COMANDI O LE REGOLAZIONI O L'ESECUZIONE DI PROCEDURE CHE NON SIANO QUELLE SPECIFICATE POTREBBERO CAUSARE ESPOSIZIONE A RADIAZIONI PERICOLOSE.
- NON APRIRE IL COPERCHIO E NON RIPARARE DA SOLI. RICORRERE ALL'ASSISTENZA DI PERSONALE QUALIFICATO.

## Smaltimento

- Non smaltite questo televisore insieme ai rifiuti comunali non differenziati. Riconsegnatelo in un punto di raccolta apposito per il RAEE (Ricalaggio di Apparecchiature Elettriche ed Elettroniche). Così facendo, contribuirete alla conservazione delle risorse e alla protezione dell'ambiente. Contattate il vostro fornitore o le autorità locali per ulteriori informazioni.



## Dichiarazione CE:

- Con il presente, UMC Poland Sp. z o.o. dichiara che il televisore LED soddisfa i requisiti essenziali e le altre disposizioni rilevanti della direttiva RED 2014/53/EU. [www.sharpconsumer.eu/documents-of-conformity/](http://www.sharpconsumer.eu/documents-of-conformity/). Il testo completo della Dichiarazione di conformità UE è disponibile al link seguente [www.sharpconsumer.eu/documents-of-conformity/](http://www.sharpconsumer.eu/documents-of-conformity/). L'uso di questo apparecchio è consentito in tutti i paesi europei. Max potenza trasmissione Wi-Fi: 100mW a 2,412 GHz – 2,472 GHz

## Dichiarazione di conformità:

- Questo apparecchio è fabbricato nella CEE nel rispetto delle disposizioni del D.M. marzo 1992 ed è in particolare conforme alle prescrizioni dell'art. 1 dello stesso D.M.



## Cosa è compreso nella confezione

### L'acquisto di questo televisore comprende le seguenti componenti:

• 1x TV	• 1x pacchetto di installazione supporto TV
• 1x telecomando	• 1x Guida di avvio rapido
• 2x batterie AAA	• 1x set per montaggio a parete (4x viti M6x35 e 4x distanziatori in plastica)*

\* - Disponibile solo per i modelli da 50"

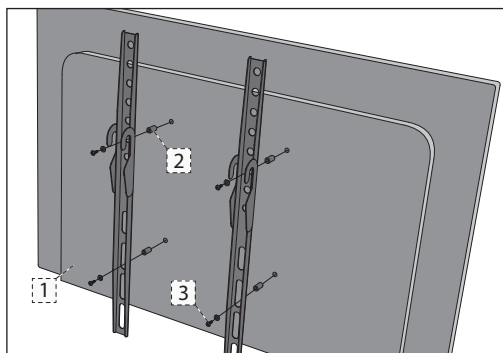
## Attaccare il supporto

Seguire le istruzioni nel documento tecnico, presente nella borsa degli accessori.

## Montaggio a parete della TV.

1. Rimuovere le quattro viti fornite nei fori di montaggio a parete
2. Il montaggio a parete può essere collegato facilmente sui fori di montaggio sul retro della TV.
3. Installare la staffa di montaggio a parete sul televisore come raccomandato dal produttore della staffa.

Quando viene montato su una parete il modello da 50", consigliamo di utilizzare, invece delle viti che si trovano nei fori per il montaggio su parete della TV, le viti più lunghe e i distanziatori inclusi nella confezione di accessori. Inserire i distanziatori nei fori per il montaggio su parete della TV, posizionati sul retro del televisore, poi posizionare sopra di essi i supporti per parete. Collegare i supporti e i distanziatori alla TV usando le viti lunghe come mostrato di seguito.



1. TV
2. DISTANZIATORE
3. VITE

**NOTA:** Il tipo di televisore e supporto mostrati nell'illustrazione sono solo per scopi illustrativi.

## Connessioni

Per le connessioni a dispositivi esterni consultare l'ultima pagina del presente manuale.

## Guida introduttiva - impostazione iniziale

1. Usando il cavo RF in dotazione, collegare la TV alla presa per l'antenna TV.
2. Per la connessione via cavo a internet usare un cavo Cat 5/Ethernet (non incluso) dal proprio televisore al router/modem a banda larga.
3. Inserite le batterie fornite nel telecomando.
4. Collegare il cavo di alimentazione alla presa elettrica.
5. Ora procedere ai passaggi successivi per la configurazione della TV.
6. Dopo l'accensione della TV, verrà visualizzato il menu **Prima installazione**. Se questa non appare, premete sul telecomando [MENU] e poi 8-8-8-8: apparirà il menù. Se volete effettuare modifiche alle impostazioni di default, usate i tasti ▲/▼/◀/▶ di scorrimento. Per uscire dal menù in qualunque momento, premete il tasto [EXIT].
7. **Configurate le impostazioni desiderate sulla schermata di PRIMA INSTALLAZIONE.**

## Tasti\* TV

**Vol+** Alza il volume e menù destra

**Vol-** Abbassa il volume e menù sinistra

**CH+** Programma/Canale successivo e menù su

**CH-** Programma/Canale precedente e menù giù

**MENU** Appare il Menù/OSD

**SOURCE** Appare il menù della sorgente di entrata

**STANDBY** Standby accensione/spegnimento

\* - per TV con pulsanti

## Barra\* di controllo TV

La barra di controllo della TV si trova sull'angolo inferiore sinistro della parte posteriore della TV. È possibile usarla al posto del telecomando per controllare gran parte delle funzioni della propria TV.

**Quando la TV è in modalità standby:**

- pressione rapida della barra di controllo - Accensione

**Quando si guarda la TV:**

- DESTRA/SINISTRA – aumento/riduzione volume
- ALTO/BASSO – cambia canale alto/basso
- pressione rapida - visualizzazione menu
- pressione prolungata - standby power o

**Nel menu:**

- DESTRA/SINISTRA/ALTO/BASSO – navigazione del cursore su menu su schermo
- pressione rapida - OK/ conferma voce selezionata
- pressione prolungata - ritorno al menu precedente

\* - per TV con joystick

## Sceita della modalità di ingresso/ sorgentes

Per cambiare tra i diversi ingressi/le diverse connessioni.

**a) Uso dei tasti sul telecomando:**

1. Premete [SOURCE/□] - Apparirà il menù sorgente.
2. Premete [◀] o [▶] per selezionare l'ingresso che desiderate.
3. Premete [OK].

**b1) Uso dei tasti\* sul televisore:**

1. Premete [SOURCE].

2. Scorrete su/giù usando i tasti VOL+/VOL- per l'ingresso/sorgente che desiderate.
3. Premete [SOURCE] per cambiare ingresso/sorgente e arrivare a quello selezionato.

**b2) Uso della barra\* di controllo TV:**

1. Premere rapidamente la barra di controllo per entrare nel menu.
2. Premere la barra di controllo e navigare il cursore nel menu SORGENTI.
3. Premere rapidamente la barra di controllo per entrare nel menu SORGENTI.
4. Con la barra di controllo selezionare la sorgente/ingresso richiesta.
5. Premendo rapidamente la barra di controllo, cambiare l'ingresso/sorgente in quella selezionata.

\* - **opzionale**

## Navigazione menù TV

Per accedere a questo menù, premete il tasto [MENU] sul telecomando. Per entrare in un menù premete [OK]. Se volete effettuare modifiche alle impostazioni di default, usate i tasti ▲/▼/◀/▶ di scorrimento. Per confermare le impostazioni premete il tasto [OK]. Per uscire dal menù in qualunque momento, premete il tasto [EXIT].

## Manuale di istruzioni elettronico

Per avviare il manuale online, premi il pulsante [MENU] e poi seleziona **Settaggio>Informazioni sulla TV>Informazioni di supporto>Vedi manuale online.**

## Telecomando

Visualizzare il manuale su schermo sulla TV.

## Registrazione USB - modalità digitale

PVR non disponibile in Italia.

## Instrucciones de seguridad



**Lea estas instrucciones de seguridad y respete las siguientes advertencias antes de utilizar el aparato:**

**Para evitar incendios mantenga siempre las velas u otras llamas al descubierto lejos del producto.**



- Los televisores con pantallas de 43" o tamaño superior deben ser elevados y transportados por al menos dos personas.
- Esta televisión no contiene ninguna pieza que pueda ser reparada por el usuario. En caso de avería, póngase en contacto con el fabricante o el servicio técnico autorizado. El contacto con ciertas partes de la televisión puede poner en peligro su vida. La garantía no cubre las averías resultantes de reparaciones llevadas a cabo por terceros.
- No retire la parte posterior del aparato.
- Este aparato se ha diseñado para recibir y reproducir señales de vídeo y de sonido. Cualquier otro uso está estrictamente prohibido.
- No exponga la televisión a goteos o salpicaduras.
- Para desconectar el televisor de la corriente, retire el enchufe de la toma de pared.
- Si el cable de alimentación presenta algún daño, deberá ser sustituido por el fabricante, el servicio técnico o personas con una cualificación similar para evitar que se produzcan situaciones de peligro.
- La distancia sugerida para ver el televisor HD es aproximadamente cinco veces la altura de la pantalla. Los reflejos en la pantalla procedentes de otras fuentes luz pueden reducir la calidad de la imagen.
- Asegúrese de que la televisión está adecuadamente ventilada y no se encuentra cerca de otros aparatos o muebles.
- Instale el producto al menos con una separación de 5 cm de la pared para garantizar su ventilación.
- Evite la obstrucción de las ranuras de ventilación con objetos como periódicos, manteles, cortinas, etc.
- La televisión se ha diseñado para ser usada en climas con temperaturas moderadas.
- La televisión se ha diseñado para ser usada exclusivamente en lugares secos. Si la televisión se usa en espacios exteriores, asegúrese de que está protegida contra la humedad (lluvia y salpicaduras). No exponga nunca la televisión a la humedad.
- No coloque objetos ni recipientes con líquidos, como jarrones, sobre el televisor, ya que su contenido podría derramarse y ocasionar riesgos eléctricos. Coloque la televisión sobre una superficie resistente, plana y estable. No coloque ningún objeto como periódicos o mantas, etc. sobre o debajo de la televisión.
- Asegúrese de que el aparato no se coloca sobre un cable de alimentación, ya que podría resultar dañado. Los teléfonos móviles y otros dispositivos, como adaptadores WLAN, cámaras de supervisión con transmisión de señal, etc., pueden provocar interferencias electromagnéticas y no deben colocarse cerca del aparato.
- No coloque el aparato cerca de elementos de calentamiento o en un lugar con radiación solar directa, ya que el sistema de refrigeración del aparato podría verse afectado. La acumulación de calor es peligrosa y puede reducir en gran medida la vida útil del aparato. Para garantizar la seguridad, pida a personal cualificado que retire la suciedad del aparato.
- Intente evitar que el cable de alimentación o el adaptador de corriente resulten dañados. El aparato solo puede conectarse con el cable de alimentación y el adaptador de corriente suministrados.

- Las tormentas son peligrosas para todos los aparatos eléctricos. Si el cable de alimentación o el cableado de la antena es alcanzado por un rayo, el aparato puede resultar dañado, incluso si no está encendido. Debe desconectar todos los cables y conectores del aparato antes de una tormenta.
- Para limpiar la pantalla del aparato, utilice únicamente un paño suave y humedecido. Utilice únicamente agua limpia, sin detergentes y en ningún caso con disolventes.
- Coloque la televisión cerca de la pared para evitar la posibilidad de que se caiga en caso de recibir un golpe frontal.
- **ADVERTENCIA:** No coloque nunca el televisor en una ubicación inestable. El televisor puede caerse y causar daños personales graves o la muerte. Se pueden evitar muchas lesiones, especialmente en el caso de niños, si se adoptan precauciones sencillas como:
  - Usar armarios o soportes recomendados por el fabricante del televisor.
  - Utilizar solo muebles capaces de soportar el peso del televisor.
  - Asegurarse de que el televisor no supera los bordes del mueble en el que se coloca.
  - No colocar el televisor sobre muebles altos (como armarios o estanterías) sin sujetar tanto el mueble como el televisor a un soporte adecuado.
  - No colocar el televisor sobre un paño o sobre materiales situados entre el televisor y el mueble de apoyo.
- Explicar a los niños los peligros de subirse a muebles para acceder al televisor o sus controles.
- Asegurarse de que los niños no se suben ni se cuelgan del televisor.
- Si tiene previsto conservar o colocar su televisor actual en otro sitio, tenga presente las mismas consideraciones indicadas anteriormente.
- Las instrucciones siguientes presentan una forma segura de colocar la televisión mediante su sujeción a la pared y evitarán la posibilidad de que el aparato se caiga hacia delante y cause heridas y daños.
- Para este tipo de instalación, necesitará un cable de sujeción.
  - A) Utilizando uno o los dos orificios y tornillos de montaje en pared (los tornillos se suministran en los agujeros de montaje en pared), sujete uno de los extremos del cable o cables de sujeción a la televisión.
  - B) Fije el otro extremo al cable o cables de sujeción a la pared.
- El software de la televisión y el diseño de los elementos de visualización en pantalla pueden cambiarse sin previo aviso.
- **Nota:** En caso de descarga electrostática (ESD), el aparato puede mostrar un funcionamiento incorrecto. En este caso, apague el televisor y vuelva a encenderlo. El televisor funcionará normalmente.

### Advertencia:

- No utilice el televisor directamente tras desembalar. Espere a que el aparato se caliente a la temperatura ambiente antes de utilizarlo.
- No conecte ningún dispositivo externo con el aparato encendido. Apague la televisión, así como los dispositivos que se van a conectar. Enchufe la televisión a la toma de corriente de la pared tras conectar cualquier dispositivo externo y la antena.
- Asegúrese de que resulte fácil acceder al enchufe de alimentación de la televisión.
- El aparato no se ha diseñado para su uso en un lugar de trabajo provisto de monitores.
- El uso sistemático de auriculares a gran volumen puede causar daños de audición irreversibles.
- Asegúrese de eliminar este aparato y cualquiera de sus componentes, incluidas las pilas, de manera respetuosa con el medio ambiente. En caso de duda, póngase en contacto con las autoridades locales para obtener detalles sobre el proceso de reciclaje.
- Al instalar el aparato, tenga en cuenta que las superficies de los muebles están tratadas con varios tipos de barnices, plásticos, etc. o que pueden estar pulidas. Las sustancias químicas utilizadas en estos productos pueden reaccionar al contacto con el soporte de la televisión y podrían dar lugar a la adherencia de restos a la superficie de los muebles, que pueden resultar difíciles o incluso imposibles de quitar.
- La pantalla de la televisión se ha fabricado siguiendo los máximos niveles de calidad y se ha comprobado exhaustivamente varias veces en busca de píxeles defectuosos. Debido a las propiedades tecnológicas del proceso industrial, no es posible eliminar la aparición de un pequeño número de puntos defectuosos en la pantalla (incluso aplicando la

- máxima atención durante el proceso de producción). Estos píxeles defectuosos no se consideran fallos a efectos de los términos de la garantía si su grado no supera los límites definidos en la norma DIN.
- El fabricante no podrá ser considerado responsable de ninguna cuestión del servicio de atención al cliente relacionada con el contenido o los servicios de terceros. Cualquier pregunta, comentario o consulta relativa al servicio y relacionada con el contenido o servicios de terceros deberá dirigirse directamente al proveedor del contenido o del servicio en cuestión.
- Hay diversas razones por las cuales es posible que no pueda acceder al contenido o los servicios del dispositivo que no estén relacionadas con el dispositivo en sí, incluidas, entre otras, un fallo eléctrico, la conexión a Internet o el hecho de no haber configurado correctamente su dispositivo. UMC Poland y sus directivos, ejecutivos, empleados, agentes, contratistas y afiliados no asumirán ningún tipo de responsabilidad ante usted o cualquier tercero con respecto a dichos fallos o problemas de mantenimiento, independientemente de cuál sea la causa o de si se hubiera podido evitar o no.
- La totalidad del contenido o los servicios de terceros a los que se puede acceder a través de este dispositivo se le suministran "tal cual" y "según disponibilidad"; y UMC Poland y sus afiliados no otorgan ninguna garantía ni hacen declaración alguna, ni expresa ni implícita, incluidas, entre otras, garantías de comerciabilidad, no incumplimiento, idoneidad para un fin concreto o garantías de idoneidad, disponibilidad, precisión, integridad, seguridad, titularidad, utilidad, falta de negligencia o ausencia de errores, o funcionamiento o uso ininterrumpidos del contenido o los servicios suministrados, o de que el contenido o los servicios satisfagan sus requisitos o expectativas.
- "UMC Poland" no es un agente y no asume ninguna responsabilidad por los hechos o las omisiones de los proveedores de contenido o servicios de terceros, ni por ningún aspecto del contenido o del servicio correspondiente a dichos proveedores independientes.
- "UMC Poland" y sus afiliados no asumirán ningún tipo de responsabilidad, en ningún caso, ante usted o cualesquiera terceros debido a daños directos, indirectos, especiales, incidentales, punitivos, consecuentes o de otro tipo, independientemente de que la teoría de responsabilidad se base en contrato, dolo, negligencia, incumplimiento de garantía, estricta responsabilidad o de cualquier otra manera, e independientemente de que UMC Poland y/o sus afiliados hayan sido informados o no de la posibilidad de dichos daños.
- Este producto contiene tecnología sujeta a determinados derechos de propiedad intelectual de Microsoft. Se prohíbe el uso o la distribución de esta tecnología fuera de este producto sin la licencia o licencias oportunas de Microsoft.**
- Los propietarios de contenido utilizan la tecnología de acceso a contenido de Microsoft PlayReady™ para proteger su propiedad intelectual, incluido contenido protegido por derechos de autor. Este dispositivo utiliza tecnología de PlayReady para acceder a contenido protegido por PlayReady o contenido protegido por WMDRM. Si el dispositivo no cumple adecuadamente las restricciones sobre el uso del contenido, sus propietarios pueden pedir a Microsoft que revoque la capacidad del dispositivo para consumir contenido protegido por PlayReady. La revocación no afectará a contenido no protegido ni a contenido protegido por otras tecnologías de acceso a contenido. Los propietarios de contenido pueden pedirle que actualice PlayReady para acceder a su contenido. Si rechaza llevar a cabo una actualización, no podrá acceder a contenido que requiera dicha actualización.**

## Información importante en relación con los videojuegos, ordenadores, subtítulos y otras imágenes fijas visualizadas.

- El uso prolongado de material de programas de imagen fija puede causar la aparición de una "sombra" permanente en la pantalla LCD (este efecto se denomina a veces incorrectamente "pantalla quemada"). Esta sombra resultará permanentemente visible en el fondo de la pantalla. El daño es irreversible. Puede evitar este efecto siguiendo estas instrucciones:

- Reduzca el brillo o contraste a un nivel mínimo.
- No visualice la imagen fija durante un periodo prolongado de tiempo. Evite mostrar:
  - » La hora o los cuadros de teletexto,
  - » El menú de la televisión o del DVD, p. ej., los contenidos de DVD,
  - » En el modo de pausa (mantener): No utilice este modo durante periodos de tiempo prolongados, p. ej., al ver un DVD o un vídeo.
  - » Apague el aparato si no lo está usando.

## Pilas

- Tenga en cuenta la polaridad correcta al insertar las pilas.
- No exponga las pilas a altas temperaturas y no las coloque en lugares en los que la temperatura pueda experimentar cambios bruscos, p. ej., cerca de un fuente de fuego o en contacto directo con la luz solar.
- No exponga las pilas a calor radiante excesivo, no las arroje al fuego, no las desmonte y no intente recargar pilas no recargables, ya que podrían producirse filtraciones o explotar.
  - » No combine nunca pilas de diferente tipo y no mezcle pilas nuevas y pilas viejas.
  - » Elimine las pilas de forma respetuosa con el medio ambiente.
  - » La mayor parte de los países de UE regulan la eliminación de las pilas mediante leyes.

## ADVERTENCIA:

- PRODUCTO DE CLASE 1 (Se aplica a los modelos con reproductor de DVD integrado). Esta etiqueta de advertencia se ubica en el panel posterior de la unidad.
- ESTA UNIDAD ES UN PRODUCTO LÁSER DE CLASE 1. ESTA UNIDAD UTILIZA UN RAYO LÁSER VISIBLE QUE PODRÍA CAUSAR UNA RADIACIÓN PELIGROSA EN CASO DE EXPOSICIÓN DIRECTA. ASEGÚRESE DE UTILIZAR EL REPRODUCTOR DE FORMA CORRECTA, COMO INDICAN LAS INSTRUCCIONES.
- NO COLOQUE LOS OJOS CERCA DE LA APERTURA PARA MIRAR DENTRO DE LA UNIDAD CUANDO LA DESENFUCHE DE LA TOMA DE CORRIENTE.
- EL USO DE CONTROLES O AJUSTES O LA APLICACIÓN DE PROCEDIMIENTOS DIFERENTES DE LOS ESPECIFICADOS EN ESTE MANUAL PUEDE OCASIONAR UNA EXPOSICIÓN A RADIACIÓN PELIGROSA.
- NO ABRA LAS TAPAS Y NO REPARE USTED MISMO EL PRODUCTO. CONSULTE CON PERSONAL CUALIFICADO DE SERVICIO EN CASO NECESARIO.

## Eliminación

- No elimine esta televisión como residuos urbanos no seleccionados. Entréguela en un punto de recogida designado para el reciclado de aparatos electrónicos y eléctricos. De esta forma, ayudará a conservar los recursos y a proteger el medio ambiente. Póngase en contacto con su distribuidor y con las autoridades locales para obtener más información.



## Declaración CE:

- Por la presente, UMC Poland Sp. z o.o. declara que este televisor LED cumple los requisitos esenciales y otras disposiciones pertinentes de la Directiva RED 2014/53/EU y reconocimiento mutuo de su conformidad. [www.sharpconsumer.eu/documents-of-conformity/](http://www.sharpconsumer.eu/documents-of-conformity/) El texto completo de la declaración de conformidad de la UE está disponible en el siguiente enlace [www.sharpconsumer.eu/documents-of-conformity/](http://www.sharpconsumer.eu/documents-of-conformity/) Este equipo puede funcionar en todos los países de la UE. Potencia máxima del transmisor Wi-Fi: 100 mW a 2,412 GHz – 2,472 GHz

## Contenido de la caja

### Componentes incluidos:

- 1 televisión
- 1 paquete de instalación de la televisión sobre soporte
- 1 mando a distancia
- 1 Guía de inicio rápido
- 2 pilas AAA
- 1 conjunto de montaje en pared (4 tornillos M6x35 y 4 topes de plástico)\*

\* - Disponible para los modelos de 50"

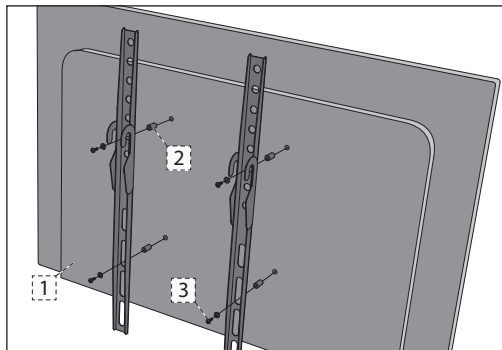
## Montaje del soporte

Siga las instrucciones del folleto técnico, incluido en la bolsa de accesorios.

## Montaje en pared de la televisión

1. Retire los cuatro tornillos que se suministran en los orificios de montaje en pared.
2. El soporte de pared puede ahora fijarse fácilmente en los agujeros de montaje de la parte posterior del televisor.
3. Fije el soporte de montaje en pared al televisor siguiendo las instrucciones del fabricante del soporte.

Al fijar los soportes de montaje en pared en el modelo de 50", en lugar de los tornillos proporcionados en los orificios de montaje en pared del televisor, recomendamos usar los tornillos y topes más largos incluidos en el paquete de accesorios. Coloque los topes en los orificios de montaje en pared del televisor, ubicados en la parte posterior de la unidad, y, a continuación, disponga los soportes de pared sobre ellos. Fije los soportes y los topes al televisor utilizando tornillos más largos como se ilustra a continuación:



1. TELEVISOR
2. TOPE
3. TORNILLO

**NOTA:** El televisor y tipo de soporte en pared que se muestra en el diagrama son solo para fines ilustrativos.

## Conexiones

Para las conexiones a dispositivos externos, consulte la última página de este manual de instrucciones.

## Primeros pasos - Instalación inicial

1. Con ayuda de un cable RF, conecte el televisor a la toma de antena de televisión de la pared.
2. Para conectarse a Internet con una conexión por cable, debe conectar un cable Cat 5/Ethernet (no incluido) del televisor a su módem o router de banda ancha.
3. Introduzca las pilas suministradas en el mando a distancia.
4. Conecte el cable de alimentación a la toma eléctrica.
5. Siga los pasos que se indican a continuación para configurar el televisor.
6. Tras encender el televisor, aparecerá en pantalla el menú de primera instalación. Si no aparece esta pantalla, en el mando a distancia, pulse [MENU] y 8-8-8-8 para mostrar el menú. Si desea modificar cualquiera de los ajustes predeterminados, utilice los botones de desplazamiento ▲/▼/◀/▶. Para salir de este menú en cualquier momento, pulse el botón [EXIT].
7. **Establezca los ajustes deseados en la pantalla PRIMERA INSTALACIÓN.**

## Botones\* de la televisión

**Vol+** permite subir el volumen y seleccionar derecha en el menú

**Vol-** permite bajar el volumen y seleccionar izquierda en el menú

**CH+** permite subir programas o canales y seleccionar arriba en el menú

**CH-** permite bajar programas o canales y seleccionar abajo en el menú

**MENU** permite mostrar el menú o el menú en pantalla

**SOURCE** permite mostrar el menú de entrada y salida.

**STANDBY** permite activar y desactivar el modo en espera

\* - para televisores con botón

## Palanca\* de control de la televisión

La palanca de control de la televisión se sitúa en la esquina inferior izquierda de la parte posterior de la televisión.

Puede utilizarla en lugar del mando a distancia para controlar la mayor parte de las funciones de la televisión.

**Cuando la televisión se encuentra en modo en espera:**

- pulsación breve de la palanca de control - Encendido

**Mientras se ve la televisión:**

- DERECHA/IZQUIERDA - permite subir o bajar el volumen
- ARRIBA/ABAJO - permite subir o bajar de canal
- pulsación breve - muestra el menú
- pulsación larga - modo en espera encendido

**Mientras se está en el menú:**

- DERECHA/IZQUIERDA/ARRIBA/ABAJO - navegación del cursor en los menús en pantalla
- pulsación breve - permite aceptar o con firmar el elemento seleccionado
- pulsación larga - permite volver al menú anterior

\* - para televisores con palanca de control

## Selección del modo de entrada/fuente

Permite cambiar entre las diferentes entradas o conexiones.

**a) Uso de los botones del mando a distancia:**

1. Pulse [SOURCE/☐] para que aparezca el menú de fuente.
2. Pulse [◀] o [▶] para seleccionar la entrada deseada.
3. Pulse [OK].

**b1) Uso de los botones\* de la televisión:**

1. Pulse [SOURCE].
2. Desplácese hacia arriba o hacia abajo con los botones VOL+/VOL- hasta la entrada o fuente deseada.
3. Pulse [SOURCE] para cambiar la entrada o fuente a la seleccionada.

**b2) Uso de la palanca\* de control de la televisión:**

1. Pulse brevemente la palanca de control para entrar en el menú.
2. Mueva hacia abajo la palanca de control y desplace el cursor hasta el menú FUENTES.
3. Pulse brevemente la palanca de control para entrar en el menú FUENTES.
4. Seleccione la señal de entrada o fuente deseada con la palanca.
5. Pulse brevemente la palanca de control para cambiar la señal de entrada o fuente a la seleccionada.

\* - *opcional*

## Navegación por el menú de la televisión

Para acceder a este menú, pulse el botón [MENU] del mando a distancia. Para entrar en un menú, pulse [OK]. Si desea modificar alguno de los ajustes predeterminados, utilice los botones de desplazamiento (▲/▼/◀/▶). Para confirmar un ajuste, pulse el botón [OK]. Para salir de este menú en cualquier momento, pulse el botón [EXIT].

## Manual de instrucciones electrónico

Para abrir el manual en línea, pulse el botón [MENU] y seleccione Ajustes > Información > Información de ayuda > Ver manual en línea.

## Mando a distancia

Ver en el manual en pantalla del televisor

## Instruções de segurança importantes



**Por favor, leia estas instruções de segurança importantes e respeite os seguintes avisos antes de pôr o aparelho em funcionamento:**

**De modo a prevenir incêndios, mantenha velas e outras chamas abertas sempre longe deste produto.**



- Tente evitar danos no cabos de alimentação e no adaptador de alimentação. O aparelho só pode ser ligado com o cabo/adaptador de alimentação.
  - Trovoadas são perigosas para todos os aparelhos elétricos. Se o cablamento de alimentação ou da antena for atingido por um raio, o aparelho pode ficar danificado, mesmo se estiver desligado. Deve desligar todos os cabos e conectores do aparelho antes de uma trovoada.
  - Para limpar o ecrã do aparelho, use apenas um pano suave e húmido. Use apenas água limpa, nunca detergentes e em nenhuma situação solventes.
  - Coloque o televisor perto da parede para evitar a possibilidade de cair quando empurrado.
  - AVISO - Nunca coloque um televisor num local instável. Um televisor pode cair, provocando lesões pessoais graves ou morte. Muitas lesões, particularmente em crianças, podem ser evitadas ao tomar precauções simples, como:
    - Use compartimentos ou suportes recomendados pelo produtor do televisor.
    - Use apenas mobília que possa suportar de forma segura o televisor.
    - Certifique-se de que o televisor não está suspenso na ponta da mobília de apoio.
  - Não coloque o televisor em móveis altos (por exemplo, louceiros ou estantes) sem prender quer o móvel, quer o televisor a um suporte adequado.
  - Não coloque o televisor em cima de panos ou outros materiais que possam encontrar-se entre o televisor e o móvel de apoio.
  - Eduque as crianças em relação aos perigos de trepar a móveis para chegar ao televisor ou aos seus comandos.
  - Certifique-se de que crianças não irão trepar ou pendurar-se no televisor.
  - Se mantiver e mudar de sítio o seu televisor existente, as indicações acima referidas devem ser na mesma aplicadas.
  - As instruções apresentadas em seguida consistem num modo mais seguro de colocar o televisor, prendendo-o à parede e evitarão a possibilidade desta cair para a frente e provocar lesões e danos.
  - Para este tipo de instalação precisará de um cabo de fixação.
    - A) Ao usar um/ambos os furos e parafusos superiores de montagem à parede (os parafusos já se encontram fornecidos nos furos de montagem à parede), fixe uma ponta do/s cabo/s de fixação ao televisor.
    - B) Fixe a outra ponta do/s cabo/s de fixação à sua parede.
  - O software no seu televisor e o layout OSD podem ser alterados sem notificação.
  - Nota: Em caso de descarga eletrostática (ESD), o aparelho pode apresentar a função incorreta. Nesse caso, desligue e volte a ligar o televisor. O televisor funcionará normalmente.
- ### Aviso:
- Não use o televisor imediatamente após desembalá-lo. Aguarde até o televisor aquecer até à temperatura da divisão antes de o usar.
  - Nunca ligue nenhum dispositivo externo a um aparelho em funcionamento. Desligue não só o televisor, mas também os dispositivos que estão a ser ligados! Ligue a ficha do televisor à tomada de parede depois de ligar alguns dispositivos externos e a antena!
  - Certifique-se sempre de que a ficha de alimentação do televisor tem fácil acesso.
  - O aparelho não foi projetado para ser usado num local de trabalho com monitores.
  - O uso sistemático de auscultadores com um volume elevado pode levar a danos auditivos irreversíveis.
  - Certifique-se de que elimina este aparelho e os seus componentes, incluindo pilhas, de uma forma amigável ao ambiente. Em caso de dúvida, contacte a sua autoridade local para mais pormenores sobre a reciclagem.
  - Ao instalar o aparelho, não se esqueça de que as superfícies do mobiliário são tratadas com diversos vernizes, plásticos, etc., ou podem estar polidas. Os químicos contidos nestes produtos podem fazer reação com o suporte do televisor. Isto pode fazer com que pedaços do material se

- Ovaj televisor ne sadrži nikakve delove koje može da opravi korisnik. U slučaju greške, obratite se proizvođaču ili ovlašćenom servisnom
- Este televisor não contém nenhuma peça que possam ser consertadas pelo utilizador. Em caso de falha, contacte o produtor ou o agente de serviço autorizado. O contacto com certas peças dentro do televisor pode pôr a sua vida em risco. A garantia não inclui falhas provocadas por consertos levados a cabo por terceiros não autorizados.
- Não retire a parte traseira do aparelho.
- Este aparelho foi projetado para receber e reproduzir sinais de vídeo e de som. Qualquer outra utilização é estritamente proibida.
- Não exponha o televisor a gotas ou salpicos de líquidos.
- Para desligar o televisor da corrente, desligue a ficha da tomada de parede.
- Se o cabo de alimentação for danificado, terá de ser substituído pelo produtor, um agente de serviço ou pessoal igualmente qualificado de modo a evitar riscos.
- A distância sugerida para ver televisão HD é aproximadamente cinco vezes maior do que a altura do ecrã. O reflexo de outras fontes de luz no ecrã pode piorar a qualidade da imagem.
- Certifique-se de que o televisor tem ventilação suficiente e que não está perto de outros aparelhos ou outras peças de mobiliário.
- Instale o produto a pelo menos 5 cm da parede para ventilar.
- Certifique-se de que as aberturas de ventilação estão desimpedidas de objetos como jornais, panos de mesa, cortinas, etc.
- O conjunto de TV foi projetado para ser usado num clima moderado.
- O conjunto de TV foi projetado para ser usado exclusivamente num local seco. Quando usar o televisor no exterior, certifique-se de que está protegido contra humidade (chuva, salpicos de água). Nunca expor a humidade.
- Não coloque nenhuns objetos, recipientes com líquidos, como jarros, etc, sobre o televisor. Estes recipientes podem ser empurrados, o que poderia pôr em risco a segurança elétrica. Coloque o televisor exclusivamente em superfícies lisas e estáveis. Não coloque nenhuns objetos tais como jornais ou cobertores, etc, em cima ou por baixo do televisor.
- Certifique-se de que o aparelho não está em cima de nenhuns cabos de alimentação, pois poderia danificá-los. Telemóveis e outros dispositivos, tais como adaptadores de WLAN, câmaras de vigilância com sinal de transmissão sem fios, etc. podem provocar interferência eletromagnética e não devem ser colocados perto do aparelho.
- Não coloque o aparelho perto de elementos de aquecimento, ou num lugar com luz solar direta, pois isso terá um efeito negativo sobre o arrefecimento do aparelho. Guardar num local quente é perigoso e pode reduzir seriamente o tempo de vida do aparelho. De modo a garantir a segurança, peça a pessoal qualificado para remover a sujidade do aparelho.

colem à superfície do mobiliário, o que será difícil de remover, se não mesmo impossível.

- O ecrã do seu televisor foi produzido em condições de qualidade de topo e foi verificado várias vezes ao pormenor para detetar pixels danificados. Devido às propriedades tecnológicas do processo de manufatura, não é possível eliminar a existência de um pequeno número de pontos defeituosos no ecrã (mesmo com o maior cuidado durante a produção). Estes pixels defeituosos não se consideram um defeito em termos de condições de garantia, caso a sua dimensão não exceda os limites definidos pela norma DIN.
- O produtor não pode ser responsabilizado por questões relacionadas com o apoio ao consumidor relativo a conteúdos ou serviços de terceiros. Quaisquer questões, comentários ou consultas relacionadas com o apoio ao cliente, relativos a conteúdos ou serviços de terceiros, devem ser feitos diretamente ao fornecedor do conteúdo ou serviço aplicável.
- Existe uma variedade de motivos pelos quais pode ser impossível aceder a conteúdos ou serviços do dispositivo não relacionados com o próprio dispositivo, incluindo, mas não limitado a, falhas de energia, a ligação à Internet ou uma falha na correta configuração do seu dispositivo. A UMC Poland, os seus diretores, funcionários, empregados, agentes, contratadores e afiliados não serão responsabilizados por si, nem por terceiros, em relação a tais falhas ou interrupção da manutenção, independentemente da causa, ou caso isso possa ter sido evitado ou não.
- Todos os conteúdos ou serviços de terceiros acessíveis através deste dispositivo são fornecidos "tal como se apresentam" e "como são disponibilizados" e a UMC Poland e os seus associados não lhe fazem nenhuma garantia ou representação de qualquer espécie, seja expressa ou implícita, incluindo, sem limitação, quaisquer garantias de conveniência, disponibilidade, precisão, integridade, segurança, título, utilidade, falta de negligência, ou falta de erros, ou funcionamento sem interrupções, ou uso dos conteúdos ou serviços fornecidos, ou que o conteúdo ou serviços cumpram os requisitos ou exigências.
- A 'UMC Poland' não é um agente de e não assume responsabilidade pelos atos ou omissões de terceiros fornecedores de conteúdos ou serviços, nem por nenhum aspeto do conteúdo ou serviço relacionado com tais terceiros fornecedores.
- Em nenhum caso a 'UMC Poland' e/ou os seus afiliados serão responsabilizados, nem nenhuns terceiros por quaisquer danos diretos, indiretos, especiais, acidentais, punitivos, concomitantes ou quaisquer outros, quer a teoria da responsabilidade seja baseada em contrato, delito, negligência, violação da garantia, responsabilidade estrita ou caso contrário, e caso a UMC Poland e/ou os seus afiliados tenham ou não sido avisados da possibilidade de tais danos.
- Este produto contém tecnologia sujeita a determinados direitos de propriedade intelectual da Microsoft. É proibida a utilização ou distribuição desta tecnologia fora deste produto sem a(s) devida(s) licença(s) da Microsoft.**
- Os proprietários do conteúdo usam a tecnologia de acesso a conteúdos Microsoft PlayReady™ para proteger a sua propriedade intelectual, incluindo conteúdo protegido por copyright. Este dispositivo usa a tecnologia PlayReady para aceder a conteúdo protegido por PlayReady e/ou conteúdo protegido por WMDRM. Caso o dispositivo não consiga aplicar as restrições à utilização do conteúdo, os proprietários do conteúdo podem exigir à Microsoft a revogação da capacidade do dispositivo de consumir conteúdo protegido por PlayReady. A revogação não deve afetar conteúdos desprotegidos ou conteúdos protegidos por outras tecnologias de acesso a conteúdos. Os proprietários do conteúdo podem exigir a atualização para PlayReady para aceder aos seus conteúdos. Se não aceitar a atualização, não terá acesso a conteúdo que exige essa mesma atualização.**

## Informação importante sobre o uso de jogos de vídeo, computadores, legendas e outras imagens fixas apresentadas.

- A utilização prolongada de materiais de programas de imagem fixa pode provocar uma "imagem sombria" permanente no ecrã LCD (isto é por vezes indicado de forma errónea como "ecrã queimado"). Esta imagem sombria fixa então permanentemente visível no ecrã e no fundo. É um dano irreversível. Pode evitar este dano procedendo de acordo com as seguintes instruções:
- Reduza o brilho/contraste para um nível mínimo para ver televisão.
- Não apresente a imagem fixa durante um período longo. Evite a apresentação de:
  - Tempo e tabelas de teletexto,
  - Menu da TV/DVD, por ex., os conteúdos do DVD,
  - No modo de "Pausa" (parado): Não use este modo durante muito tempo, por ex., quando estiver a ver um DVD ou o vídeo.
  - Desligue o aparelho se não o estiver a usar.

## Pilhas

- Observe a polaridade correta ao inserir as pilhas.
- Não exponha as pilhas a temperaturas elevadas e não as coloque em locais onde a temperatura possa aumentar rapidamente, por ex., perto de fogo ou à luz solar direta.
- Não exponha as pilhas a calor radiante excessivo, não as atire para o fogo, não as desmonte e não tente carregar baterias não recarregáveis. Pode ocorrer vazamento ou explosão.
  - Nunca use pilhas diferentes em conjunto, nem misture novas com velhas.
  - Elimine as pilhas de forma amigável ao ambiente.
  - A maioria dos países da UE tem regulamentos legais sobre a eliminação de pilhas.

## CUIDADO:

- PRODUTO LASER DE CLASSE 1 (Refere-se a modelos com leitor de DVD incorporado). Esta etiqueta de precaução encontra-se no painel traseiro da unidade.
- ESTA UNIDADE É UM PRODUTO LASER DE CLASSE 1 ESTA UNIDADE USA UM RAIOS LASER VISÍVEL QUE PODE PROVOCAR EXPOSIÇÃO A RADIAÇÃO NOCIVA, CASO SEJA DIRECIONADO. CERTIFIQUE-SE DE QUE USA O LEITOR DE FORMA CORRETA, COMO INDICADO NAS INSTRUÇÕES.
- QUANTO ESTA UNIDADE FOR LIGADA À TOMADA DE PAREDE, NÃO COLOQUE OS OLHOS PERTO DAS ABERTURAS PARA ESPREITAR PARA DENTRO DELA.
- A UTILIZAÇÃO DE CONTROLOS, OU DEFINIÇÕES, OU DESEMPENHO DE PROCEDIMENTOS SEM SER OS AQUI ESPECIFICADOS PODE PROVOCAR EXPOSIÇÃO A RADIAÇÃO NOCIVA.
- NÃO ABRA A COBERTURA E NÃO TENTE REPARAR NADA SOZINHO. REMETA A MANUTENÇÃO PARA PESSOAL QUALIFICADO.

## Eliminação

- Não elimine este televisor como lixo municipal não segregado. Devolva-o no ponto de recolha para reciclagem de REEE designado. Ao fazê-lo estará a ajudar a conservar recursos e a proteger o ambiente. Contacte o seu revendedor ou as autoridades locais para mais informações.



## Declaração CE:

- Pelo presente, a UMC Poland Sp. z o.o. declara que esta TV LED encontra-se em conformidade com os requisitos essenciais e outras disposições relevantes da Diretiva RED 2014/53/EU. [www.sharpconsumer.eu/documents-of-conformity/](http://www.sharpconsumer.eu/documents-of-conformity/)  
O texto completo referente à declaração de conformidade da UE está disponível na ligação [www.sharpconsumer.eu/documents-of-conformity/](http://www.sharpconsumer.eu/documents-of-conformity/)  
Este equipamento pode ser utilizado em todos os países da UE.  
Potência máx. do transmissor Wi-Fi: 100 mW a 2,412 GHz – 2,472 GHz



## O que se encontra incluído na caixa

### Este televisor inclui as seguintes peças:

- 1x Televisor
- 1x Pacote de instalação do suporte do televisor
- 1x Telecomando
- 1x Guia de início rápido
- 2x Pilhas AAA
- 1x Kit de montagem à parede (4x M6x35 parafuso e 4x espaçador de plástico)\*

\* - Disponível apenas para modelos com 50"

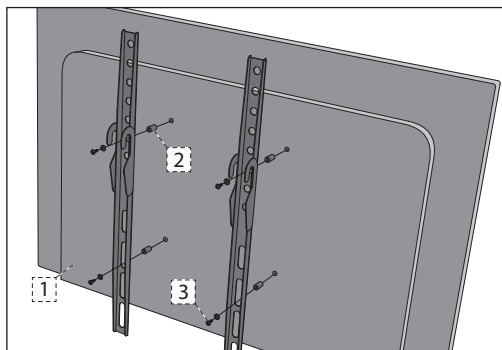
## Montagem do suporte

Siga as instruções no folheto técnico que se encontra no saco de acessórios.

## Montagem do televisor à parede

1. Retire os quatro parafusos fornecidos dos furos de montagem à parede.
2. O suporte de parede pode agora ser facilmente preso aos furos de montagem da parte de trás do televisor.
3. Instale o suporte de parede ao televisor como indicado pelo produtor do suporte.

Quando prender as braçadeiras de montagem à parede do modelo com 50", recomendamos que, em vez dos parafusos fornecidos nos furos de montagem à parede do televisor, use os parafusos mais compridos e espaçadores incluídos no pacote de acessórios. Coloque os espaçadores nos furos de montagem à parede do televisor situados na parte de trás deste e em seguida coloque nestes as braçadeiras de parede. Prenda as braçadeiras e os espaçadores ao televisor com parafusos mais compridos como apresentado em baixo:



1. TELEVISOR
2. ESPAÇADOR
3. PARAFUSO

**NOTA:** O televisor e o tipo de braçadeiras da parede apresentados no diagrama servem apenas para efeitos de ilustração.

## Ligações

Para ligar dispositivos externos, veja a última página deste manual de instruções.

## Iniciar - definição inicial

1. Ligue o televisor à tomada de parede da antena usando um cabo RF.
2. Para se ligar à Internet com uma ligação com fios, ligue um cabo Cat 5/Ethernet (não incluído) da TV até ao seu modem/router de banda larga.
3. Insira as pilhas fornecidas no telecomando.
4. Ligue o cabo de alimentação à tomada elétrica.
5. Agora siga os passos seguintes para configurar o televisor.
6. Quando ligar o televisor será recebido pelo menu de **Primeira instalação**. Caso este não apareça, pegue no telecomando e carregue [MENU] e em seguida 8-8-8-8, e o menu aparecerá. Se desejar alterar alguma das definições standard, use os botões de navegação ▲/▼/◀/▶. Para sair deste menu em qualquer momento, carregue no botão [SAIR].
7. **Por favor, aplique as definições desejadas no ecrã de PRIMEIRA INSTALAÇÃO.**

## Botões\* de televisão

**Vol+** Volume mais alto e menu à direita

**Vol-** Volume mais baixo e menu à esquerda

**CH+** Programa/Canal seguinte e menu para cima

**CH-** Programa/Canal anterior e menu para baixo

**MENU** Apresenta o menu/OSD

**SOURCE** Apresenta o menu de fontes de entrada

**STANDBY** Modo de espera Ligado/Desligado

\* - para televisores com botões

## Manípulo\* de controle do televisor

O manípulo de controle do televisor encontra-se no canto inferior esquerdo da parte de trás do televisor. Pode usá-lo em vez do telecomando para a maioria das funções do seu televisor.

**Enquanto o televisor está em modo de espera (standby):**

- carregar curto no manípulo de controle - Ligado

**Enquanto estiver a ver televisão:**

- DIREITA/ESQUERDA – volume mais alto/ volume mais baixo
- CIMA/BAIXO – muda o canal para cima/baixo
- carregar curto – Apresenta o Menu
- carregar longo – Em espera

**Quando no menu:**

- DIREITA/ESQUERDA/CIMA/BAIXO – navegação do cursor em menus no ecrã
- carregar curto – OK/Con rma o item selecionado
- carregar longo – Volta ao menu anterior

\* - para televisores com controlo analógico

## Selecionar Modo de Entrada/Fonte

Para alternar entre as diferentes entradas/ligações.

**a) Utilização dos botões do telecomando:**

1. Carregue em [SOURCE/☐]
2. O menu de fonte aparecerá. Carregue em [◀] ou [▶] para selecionar a entrada desejada.
3. Carregue em [OK].

**b1) Utilização dos botões\* do televisor:**

1. Carregue em [SOURCE].
2. Navegue para cima / baixo usando os botões VOL+/VOL- até à entrada/fonte desejada.
3. Carregue em [SOURCE] para alterar a entrada/fonte até à selecionada.

**b2) Usar o manípulo\* de controle do televisor:**

1. Carregue brevemente no manípulo de controle para entrar no menu.
2. Carregue no manípulo de controle para baixo e navegue com o cursor para o menu FONTES.
3. Carregue brevemente no manípulo de controle para entrar no menu FONTES.
4. Com o manípulo de controle, selecione a entrada/fonte que desejar.
5. Ao carregar brevemente no manípulo de controle, irá mudar a entrada/fonte para a que selecionou.

\* - *opcional*

## Menu de navegação do televisor

Para aceder a este menu, carregue no botão [MENU] no telecomando.

Para entrar num menu, carregue em [OK]. Se desejar alterar alguma das definições standard, use os botões de navegação ▲/▼/◀/▶. Para confirmar quaisquer definições, carregue no botão [OK]. Para sair deste menu em qualquer momento, carregue no botão [SAIR].

## Manual de instruções eletrónicas

Para abrir o manual online, carregue no botão [MENU] e depois seleccione Configuração>Sobre a TV>Informação de ajuda>Ver manual online.

## Telecomando

Ver em Manual no ecrã em TV.

## Belangrijke veiligheidsinstructies



**Lees deze veiligheidsinstructies en let op de volgende waarschuwingen voordat het apparaat in gebruik wordt genomen:**

**Om vuur te voorkomen houdt altijd kaarsen en ander open vuur verwijderd van dit product.**



- Televisietoestellen met 43"-formaat schermen of groter dienen door minstens 2 personen te worden opgetild en gedragen.
- Deze TV bevat geen onderdelen welke door de gebruiker kunnen worden gerepareerd. In het geval van falen, neem contact op met de fabrikant of een geautoriseerde onderhoudsdealer. Contact met bepaalde delen in de TV kunnen uw leven in gevaar brengen. Onder de garantie vallen geen fouten door reparaties uitgevoerd door ongeautoriseerde derden.
- Verwijder niet de achterkant van het apparaat.
- Dit apparaat is ontworpen voor het ontvangen en vermeerderen van beeld- en geluidssignalen. Elk ander gebruik is streng verboden.
- Stel de TV niet bloot aan lekkende of spetterende vloeistoffen.
- Om de TV los te koppelen van de netspanning trekt u de stekker uit het stopcontact.
- Indien het voedings snoer beschadigd is, moet deze worden vervangen door de fabrikant, een onderhoudsdealer of gelijkwaardig gekwalificeerde personen om gevaar te voorkomen.
- De voorgestelde afstand om naar HD TV te kijken is ongeveer vijf keer langer dan de hoogte van het scherm. Reflecties op het scherm van andere lichtbronnen kunnen de kwaliteit van het beeld verergeren.
- Zorg ervoor dat de TV voldoende ventilatie heeft en niet vlak naast andere apparaten en meubelstukken staat.
- Installeer het product tenminste 5 cm vanaf de muur voor ventilatie.
- Zorg ervoor dat de ventilatie-openingen vrij zijn van artikelen zoals kranten, tafelkleden, gordijnen, etc.
- De TV-set is ontworpen voor gebruik in mild klimaat.
- De TV-set is alleen ontworpen voor gebruik op een droge plaats. Bij gebruik van de TV buiten, zorg ervoor dat deze beschermd is tegen vocht (regen, spetterend water). Nooit aan vocht blootstellen.
- Plaats geen voorwerpen, bakken met vloeistoffen zoals vazen, etc. op de TV. Deze houders kunnen omver gegooid worden, welke de elektrische veiligheid in gevaar brengt. Plaats de TV alleen op vlakke en stabiele ondergronden. Plaats geen artikelen zoals kranten of dekens, etc. op of onder de TV.
- Zorg ervoor dat het apparaat niet op voedingskabels staat omdat deze beschadigd kunnen raken. Mobiele telefoons en andere apparaten zoals WLAN-adapters, beveiligingscamera's met draadloze verbinding, etc. kunnen elektromagnetisch storen en moeten niet in de buurt van het apparaat worden opgesteld.
- Plaats het apparaat niet naast hitte elementen of op een plaats in direct zonlicht omdat deze een negatief effect hebben op de koeling van het apparaat. Hitte opslag is gevaarlijk en kan de levensverwachting van het apparaat ernstig verminderen. Om de veiligheid te garanderen, vraag een gekwalificeerd persoon de stof te verwijderen van het apparaat.
- Probeer schade aan het voedings snoer en adapter te vermijden. Het apparaat kan alleen met het geleverde voedings snoer worden aangesloten.
- Storm is gevaarlijk voor alle elektrische apparaten. Indien de voeding of antenne door bliksem wordt geraakt kan het apparaat beschadigd raken, zelfs wanneer deze is uitgeschakeld. U moet alle kabels en aansluitingen verwijderen van het apparaat voor een storm.
- Om het scherm van het apparaat schoon te maken, gebruik een zachte vochtige doek. Gebruik alleen schoon water, geen schoonmaakmiddelen en nooit oplosmiddelen.
- Plaats de TV vlak naast de muur om de mogelijkheid van vallen door omver stoten te voorkomen.
- WAARSCHUWING - Plaats nooit een televisie op een onstabiele locatie. Een televisietoestel kan vallen en ernstig persoonlijk letsel of de dood veroorzaken. Veel verwondingen, met name die bij kinderen, kunnen worden voorkomen door het nemen van eenvoudige voorzorgsmaatregelen zoals:
  - Gebruik kasten of standaards, die zijn aanbevolen door de fabrikant van uw televisie.
  - Gebruik alleen meubels, die de televisie veilig kunnen ondersteunen.
  - Zorg ervoor dat de televisie niet over de rand hangt van het ondersteunende meubilair.
  - Plaats de televisie niet op een hoog meubelstuk (bijvoorbeeld servies- of boekenkasten) zonder dat u het meubelstuk en de televisie op de juiste manier heeft verankerd.
  - Plaats de televisie niet op een kleed of ander materiaal op het ondersteunende meubelstuk.
  - Leer kinderen dat het gevaarlijk is om op meubels te klimmen om de televisie of de afstandsbediening te bereiken.
  - Zorg ervoor dat kinderen niet op de TV klimmen of hangen.
  - Als u uw bestaande televisie wilt bewaren en verplaatsen gelden dezelfde waarschuwingen als hierboven staat aangegeven.
- De instructies hieronder omschrijven een veiligere manier om de TV op te stellen door deze aan de wand te bevestigen en vermijd de mogelijkheid dat deze valt met letsel en schade als gevolg.
  - Voor dit type installatie bent u een bevestigingskoord nodig.
    - A) Gebruik makend van een of beide van de bovenste montage gaten en schroeven (de schroeven zijn al geleverd in de montage gaten) bevestig een uiteinde van het bevestigingskoord aan de TV.
    - B) Bevestig het andere uiteinde van het bevestigingskoord aan uw muur.
  - De software op uw TV en de menuscherm-layout kunnen zonder aankondiging worden veranderd.
  - Opmerking: Bij een elektrostatische ontlading (ESD) kan het apparaat een storing vertonen. Schakel dan de TV uit en opnieuw aan. De TV zal normaal werken.

### Waarschuwing:

- Gebruik de tv-set niet meteen nadat u deze hebt uitgepakt. Wacht tot de tv is opgewarmd tot de kamertemperatuur alvorens u deze gebruikt.
- Sluit nooit een extern apparaat aan op een apparaat dat aan staat. Schakel niet alleen de TV uit maar ook het te verbinden apparaat! Sluit de TV aan op de wandcontactdoos na aansluiting van externe apparaten en de antenne!
- Zorg er voor dat er altijd vrije toegang is tot de stekker van de TV.
- Het apparaat is niet ontworpen voor gebruik op een werkvloer voorzien van monitoren.
- Het systematisch gebruik van koptelefoons op hoog niveau kan leiden tot permanente gehoorschade.
- Zorg voor een milieuvriendelijke verwijdering van dit apparaat en elk van de componenten inclusief batterijen. Bij twijfel, neem contact op met uw plaatselijke autoriteiten voor details over recycling.
- Tijdens installatie van het apparaat, vergeet niet dat oppervlakken van meubels behandeld zijn met verschillende beitsen, plastics, etc. of dat deze gepolijst zijn. De chemicaliën in deze producten kunnen reageren met de voet van de TV. Dit kan tot gevolg hebben dat stukjes van het materiaal kleven aan het oppervlak van het meubel, welke moeilijk te verwijderen zijn, zo niet onmogelijk.

- Het scherm van uw TV is geproduceerd onder omstandigheden van de hoogste kwaliteit en is meerdere keren gecontroleerd op defecte pixels. Door technologische kenmerken van het fabricageproces, is het niet mogelijk het bestaan van een klein aantal defecte punten op het scherm te voorkomen (zelfs bij maximale zorg tijdens productie). Deze defecte pixels worden niet als fouten gezien in termen van garantie condities, indien hun aantal niet groter is dan de grenzen zoals omschreven door de DIN-norm.
- De fabrikant kan niet verantwoordelijk gehouden worden, of aansprakelijk gesteld worden, voor aan klantenservice gerelateerde kwesties gerelateerd aan inhoud of diensten van derden. Vragen, opmerkingen of service gerelateerde inlichtingen in relatie met inhoud of diensten van derden moeten direct bij de toepasselijke leverancier van inhoud of diensten ingediend worden.
- Er is een scala aan mogelijkheden waarom u geen toegang heeft tot diensten of inhoud op het apparaat welke niet gerelateerd aan het apparaat zelf zijn, waaronder, maar niet beperkt tot, stroomstoring, de internet verbinding of incorrecte instelling van uw apparaat. UMC Poland, haar directieuren, managers, werknemers, agenten, aannemers en partners zijn niet aansprakelijk jegens u of enige derde met betrekking tot dergelijke storingen of onderbrekingen voor onderhoud, ongeacht de oorzaak en of dit al dan niet had kunnen worden voorkomen.
- Alle inhoud en diensten van derden toegankelijk via dit apparaat worden aan u geleverd op een basis van "zoals geleverd" en "zoals beschikbaar" en UMC Poland en haar partners bieden geen garantie of vertegenwoordiging in welke vorm dan ook jegens u, zowel uitdrukkelijk als impliciet, waaronder, zonder beperking, enige garanties tot verkoopbaarheid, geen inbreuk, geschiktheid voor een bepaald doel of enige garanties voor geschiktheid, beschikbaarheid, volledigheid, veiligheid, eigendom, bruikbaarheid, gebrek aan nalatigheid, of storingsvrij of ononderbroken werking of gebruik van de inhoud of diensten aan u geleverd of dat de inhoud of diensten tegemoet komen aan uw vereisten of verwachtingen.
- "UMC Poland" is geen agentschap en neemt geen verantwoordelijkheid voor de daden of omissies van inhoud of diensten van derde leveranciers, noch enig aspect van de inhoud of dienst gerelateerd aan dergelijke derde leveranciers.
- In geen geval zal "UMC Poland" e/of haar partners aansprakelijk jegens u zijn of enige derde partij voor enige directe, indirecte, speciale, incidentele, strafbare, ten gevolge van of andere schades, of de theorie van aansprakelijkheid gebaseerd is op contract, onrechtmatigheid, nalatigheid, inbreuk of garantie, stikte aansprakelijkheid of anderszins en al dan niet UMC Poland en/of haar partners geadviseerd zijn van de mogelijkheid van dergelijke schades.
- **Dit product bevat technologie die onderworpen is aan bepaalde intellectuele eigendomsrechten van Microsoft. Gebruik of distributie van deze technologie buiten dit product is verboden zonder de juiste licentie(s) van Microsoft.**
- **Eigenaren van inhoud gebruiken Microsoft PlayReady™-technologie voor toegang tot inhoud om hun intellectuele eigendom te beschermen, inclusief auteursrechtelijk beschermde inhoud. Dit apparaat maakt gebruik van PlayReady-technologie om toegang te krijgen tot PlayReady-beschermde inhoud en/of WMDRM-beschermde inhoud. Als het apparaat er niet in slaagt om beperkingen op het gebruik van inhoud op de juiste wijze af te dwingen, dan kunnen de eigenaren van inhoud eisen dat Microsoft de mogelijkheid van het apparaat om PlayReady-beschermde inhoud te gebruiken, intrekt. Intrekking mag geen gevolgen hebben voor onbeschermde inhoud of inhoud die wordt beschermd door andere technologieën voor toegang tot inhoud. Eigenaren van inhoud kunnen vereisen dat u PlayReady upgradet om toegang te krijgen tot hun inhoud. Als u een upgrade afwijst, dan hebt u geen toegang tot de inhoud waarvoor de upgrade vereist is.**
- Het langdurig gebruik van geprogrammeerd materiaal met stil staande beelden kan een permanente "schaduw afbeelding" op het LCD scherm veroorzaken (hieraan wordt soms incorrect gerefereerd als "ingebrand beeld"). Dit schaduw beeld is dan permanent zichtbaar op het scherm in de achtergrond. Dit is onomkeerbare schade. U kunt dergelijke schade voorkomen door onderstaande instructies te volgen.
- Verminder de instelling van achtergrondverlichting/contrast tot een minimaal kijkniveau.
- Vertoon het stilstaande beeld niet voor langere perioden. Vermijd vertoning van:
  - » Teletext tijd en grafieken,
  - » TV/DVD menu, bijv. DVD inhoud,
  - » In „Pause” modus (stilstaan): Gebruik deze functie niet voor langere tijd, bijv. tijdens het kijken van een DVD of video.
  - » Schakel het apparaat uit wanneer u deze niet gebruikt.

## Batterijen

- Gebruik de juiste polariteit tijdens het plaatsen van de batterijen.
- Stel de batterijen niet bloot aan hoge temperaturen en plaats deze niet op plaatsen waar de temperatuur snel kan oplopen, bijv. naast het vuur of in direct zonlicht.
- Stel de batterijen niet bloot aan stralende hitte, gooi deze niet in het vuur, haal deze niet uit elkaar en probeer niet onoplaadbare batterijen op te laden. Deze kunnen lekken of ontploffen.
  - » Gebruik nooit verschillende batterijen of meng nieuwe en oude.
  - » Verwijder de batterijen op een milieu vriendelijke manier.
  - » In de meeste Europese landen is de verwijdering van batterijen gereguleerd.



Cd

## WAARSCHUWING:

- **KLASSE 1 LASERPRODUCT** (geldt voor modellen met ingebouwde DVD-speler). Dit waarschuwingslabel bevindt zich aan de achterzijde van het apparaat.
- **DIT APPARAAT IS EEN KLASSE 1 LASERPRODUCT. DIT APPARAAT GEBRUIKT EEN ZICHTBARE LASERSTRAAL DIE, INDIEN DEZE WORDT GERICHT, GEVAARLIJKE STRALING KAN VEROOZAKEN. ZORG ERVOOR DAT U DE SPELER CORRECT LAAT FUNCTIONEREN VOLGENS DE AANWIJZINGEN.**
- **ALS DIT APPARAAT OP HET STOPCONTACT WORDT AANGESLOTEN, KIJK DAN NIET DOOR DE OPENINGEN OM DE BINNENKANT VAN DIT APPARAAT TE BEKIJKEN.**
- **HET GEBRUIK VAN BEDIENINGSMETHODEN, AFSTELLINGEN OF HET UITVOEREN VAN PROCEDURES DIE ANDERS ZIJN DAN HIERIN WORDT BESCHREVEN, KAN LEIDEN TOT BLOOTSTELLING AAN GEVAARLIJKE STRALING.**
- **MAAK GEEN PANELEN OPEN EN VOER GEEN REPARATIES ZELF UIT. LAAT ONDERHOUD EN REPARATIES AAN GEKVALIFICEERD PERSONEEL OVER.**

## Verwijdering

- Verwijder deze TV niet als ongesorteerd huisafval. Breng deze naar een hiervoor bestemd verzamelpunt voor recycling van WEEE. Door dit te doen helpt u het behoud van grondstoffen en beschermt u het milieu. Neem contact op met uw verkoper of plaatselijk autoriteiten voor meer informatie.



## CE verklaring:

- Hierbij verklaart, UMC Poland Sp. z o.o. dat deze LED-tv voldoet aan de essentiële vereisten en andere relevante bepalingen van de RED richtlijn 2014/53/EU. [www.sharpconsumer.eu/documents-of-conformity/](http://www.sharpconsumer.eu/documents-of-conformity/) De volledige tekst van de EU-conformiteitsverklaring is beschikbaar via de link [www.sharpconsumer.eu/documents-of-conformity/](http://www.sharpconsumer.eu/documents-of-conformity/) Dit product mag gebruikt worden in alle EU landen. Wi-Fi maximum zendvermogen: 100mW bij 2,412 GHz- 2,472 GHz

**Belangrijke informatie voor gebruik van videospellen, computers, afbeeldingen en andere vertoningen van stilstaande afbeeldingen.**

## Inhoud van de doos

### Levering van deze TV omvat de volgende onderdelen:

• 1x TV	• 1x installatie pakket TV-voet
• 1x Afstandbediening	• 1x Snelle startinstructies
• 2x AAA batterijen	• 1x wandmontageset (4x M6x35 schroeven en 4x plastic afstandhouders)*

\* - **Alleen beschikbaar voor 50"-modellen**

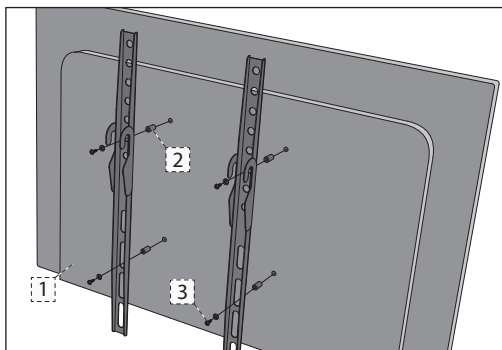
## Montage van de voet

Gelieve de instructies in de technische brochure (in het zakje accessoires) te volgen.

## Wandmontage van de TV

1. Verwijder de vier schroeven die worden geleverd in de muurmontagegaten.
2. De wandsteun kan nu eenvoudig worden bevestigd aan de montagegaten op de achterkant van de TV.
3. Installeer de wandbevestigingsbeugel aan de televisie, zoals door de fabrikant van de bevestigingsbeugel wordt geadviseerd.

Bij het bevestigen van muurbeugels voor het 50"-model: in plaats van de meegeleverde schroeven in de wandbevestigingsgaten in de tv, raden wij u aan om de langere schroeven en afstandhouders te gebruiken die zijn meegeleverd in het accessoirepakket. Plaats afstandhouders in de wandbevestigingsgaten in de tv aan de achterkant van de tv en plaats de wandbeugels er vervolgens op. Bevestig de wandbeugels en afstandsstukken aan de tv met langere schroeven, zoals hieronder afgebeeld:



1. TV
2. AFSTANDSHOUDER
3. SCHROEF

**OPMERKING:** De tv en het type wandbeugel in de afbeelding dienen uitsluitend ter illustratie.

## Aansluitingen

Voor het aansluiten van externe apparaten, zie de laatste pagina in deze IM.

## Beginnen - eerste keer instellen

1. Sluit de tv via de RF-kabel aan op het TV Aerial-stopcontact.
2. Voor aansluiting op het internet via een bedrade verbinding sluit een cat5/ethernetkabel (niet meegeleverd) aan van de tv naar uw breedband modem/router.
3. Plaats de meegeleverde batterijen in de afstandbediening.
4. Sluit de stekker aan op het stopcontact.
5. Ga nu verder met de volgende stappen om de configuratie van de TV voort te zetten.
6. Na het aanzetten van de TV, zult u het 'Eerste Installatie'-menu te zien krijgen. Indien dit niet verschijnt, op de afstandbediening, druk [MENU] dan 8-8-8-8 en het menu zal verschijnen. Indien u de standaard instellingen wenst te veranderen, gebruik de navigatie ▲/▼/◀/▶ knoppen. Om dit menu op elk moment te verlaten, druk op de [EXIT] knop.
7. **Stel de gewenste instellingen in op het EERSTE INSTALLATIE scherm.**

## TV knoppen\*

**Vol+** Volume omhoog en menu rechts

**Vol-** Volume omlaag en menu links

**CH+** Programma/kanaal omhoog en menu omhoog

**CH-** Programma/kanaal omlaag en menu omlaag

**MENU** Toont menu/menuscherm

**SOURCE** Toont het input bron menu

**STANDBY** Stand-by Aan/UIT

\* - **alleen voor TV's met tv-knoppen**

## TV-bedieningsstick\*

De TV-bedieningsstick bevindt zich op de linker benedenhoek aan de achterkant van de TV. U kunt deze in plaats van uw afstandsbediening gebruiken om de meeste functies van uw TV te bedienen.

**Terwijl de TV in de standby-modus staat:**

- druk kort op uw bedieningsstick - Power On

**Terwijl u TV kijkt:**

- RECHTS/LINKS - volume omhoog/omlaag
- OMHOOG/OMLAAG - verandert kanaal
- kort indrukken - Toont Menu
- lang indrukken - Standby Power On

**Terwijl u in het menu bent:**

- RECHTS/LINKS/OMHOOG/OMLAAG - navigatie van cursor in de menu's op het scherm
- kort indrukken - OK/Bevestigen van geselecteerde item
- lang indrukken - Terug naar het vorige menu

\* - **alleen voor TV's met tv-bedieningsstick**

## Modus kiezen Ingang/Bron

Om te schakelen tussen verschillende ingangen/verbindingen.

**a) Gebruik de knoppen op de afstandbediening:**

1. Druk op [SOURCE/☐] - Het bron menu zal verschijnen.
2. Druk op [◀] of [▶] om de gewenste ingang te kiezen.
3. Druk op [OK].

**b1) Gebruik de knoppen\* op de televisie:**

1. Druk op [SOURCE].
2. Navigeer omhoog / omlaag met de VOL+/VOL- knoppen om de gewenste ingang/bron te kiezen.
3. Druk op [SOURCE] om de ingang/bron naar de keuze te veranderen.

**b2) Met de TV-bedieningsstick\*:**

1. Druk de bedieningsstick kort in om het menu te openen.
2. Druk op de bedieningsstick en navigeer de cursor naar het menu BRONNEN.
3. Druk kort op de bedieningsstick om het menu BRONNEN te openen.
4. met de bedieningsstick kunt u de desgewenste input/bron selecteren.
5. Door kort op de bedieningsstick te drukken kunt u de input/bron naar de geselecteerde veranderen.

\* - *optioneel*

## TV menu navigatie

Voor toegang tot dit menu, druk op de [MENU] knop op de afstandbediening. Om een menu te betreden druk op [OK]. indien u de standaard instellingen wenst te veranderen, gebruik de navigatie (▲/▼/◀/▶) knoppen. Om een instelling te bevestigen druk op de [OK] knop. Om dit menu op elk moment te verlaten, druk op de [EXIT] knop.

## Elektronische handleiding

Om de online-handleiding te starten, drukt u op de knop [MENU] en selecteert u vervolgens Instellingen>Over de tv>Help-informatie>Online handleiding bekijken.

## Afstandbediening

Zie in de schermhandleiding op de TV

## Ważne środki bezpieczeństwa



**Proszę zapoznać się z niniejszymi instrukcjami bezpieczeństwa i wziąć pod uwagę poniższe ostrzeżenia zanim urządzenie zostanie uruchomione:**

**Żeby zapobiec pożarowi, zawsze trzymaj świece i inne źródła otwartego ognia z daleka od urządzenia.**



- Telewizory z ekranami o przekątnej 43" lub większymi muszą być przeznaczony przez co najmniej dwie osoby.
- Niniejszy telewizor nie posiada żadnych części, które może naprawiać użytkownik. W przypadku wystąpienia usterki skontaktuj się z producentem lub autoryzowanym serwisem. Styczeń z niektórymi elementami wewnątrz obudowy może stanowić zagrożenie dla życia. Gwarancja nie obejmuje usterek wywołanych naprawami wykonywanymi przez strony trzecie.
- Nie demontuj tylnej części urządzenia.
- Urządzenie jest przeznaczone do odbioru i odtwarzania wideo i dźwięku. Wszelkie inne wykorzystanie jest ściśle zabronione.
- Nie wystawiaj telewizora na działanie kaplących lub rozpryskiwanych cieczy.
- Aby odłączyć telewizor od sieci elektrycznej, odłącz wtyczkę z gniazda zasilającego.
- Jeśli kabel zasilający zostanie uszkodzony, należy go wymienić u producenta, w serwisie lub u innej wykwalifikowanej osoby, żeby ochronić się przed zagrożeniem.
- W przypadku telewizorów HD zalecana odległość podczas oglądania jest w przybliżeniu 5-krotnością wysokości ekranu. Odbicia innych źródeł światła od ekranu mogą pogorszyć jakość obrazu.
- Zapewnij odpowiednią wentylację telewizora i nie umieszczaj go blisko innych urządzeń i mebli.
- Zainstaluj urządzenie przynajmniej 5 cm od ściany, żeby zapewnić przepływ powietrza.
- Upewnij się, że otwory wentylacyjne nie są zablokowane przedmiotami, takimi jak gazety, ściereki, zasłony itp.
- Telewizor jest przeznaczony do użycia w klimacie umiarkowanym.
- Telewizor jest przeznaczony wyłącznie do pracy w suchym miejscu. Gdy używasz telewizora na zewnątrz, upewnij się, że jest zabezpieczony przed wilgocią (deszcz, chlapiąca woda). Nigdy nie wystawiaj urządzenia na działanie wilgoci.
- Nie stawiaj żadnych przedmiotów ani zbiorników z płynami, takich jak wazon itp. na telewizorze. Mogą one zostać potrącone, zagrażając bezpieczeństwu elektrycznemu. Ustaw telewizor na płaskiej i stabilnej powierzchni. Nie umieszczaj przedmiotów, takich jak gazety, kocy itp. na telewizorze lub pod nim.
- Upewnij się, że urządzenie nie stoi na kablach zasilających, ponieważ mogłyby one ulec uszkodzeniu. Telefony komórkowe i inne urządzenia, takie jak adapter sieci WLAN, kamery monitoringu przesyłające sygnał bezprzewodowo itp., mogą powodować zakłócenia elektromagnetyczne, więc nie należy ich umieszczać w pobliżu urządzenia.
- Nie umieszczaj urządzenia w pobliżu elementów grzewczych lub w miejscach narażonych na bezpośrednie działanie światła słonecznego, ponieważ ma to negatywny wpływ na chłodzenie urządzenia. Zatrzymanie ciepła jest niebezpieczne i może poważnie zmniejszyć żywotność

urządzenia. Żeby zapewnić bezpieczeństwo, poprosz wykwalifikowaną osobę o usunięcie brudu z urządzenia.

- Postaraj się zapobiec uszkodzeniu kabli zasilających lub zasilacza. Urządzenie może być podłączane wyłącznie do dostarczonego kabla zasilającego/zasilacza.
- Burze stanowią niebezpieczeństwo dla wszystkich urządzeń elektrycznych. Jeśli kabel lub przewody antenowe zostaną trafione piorunem, urządzenie może zostać uszkodzone, nawet gdy jest wyłączone. Przed nadejściem burzy należy odłączyć od urządzenia wszystkie przewody i złącza.
- Przy czyszczeniu ekranu urządzenia używaj wyłącznie wilgotnej i miękkiej ściereczki. Używaj tylko czystej wody bez detergentów, a zwłaszcza bez rozpuszczalników.
- Ustaw telewizor w pobliżu ściany, żeby nie spadł w przypadku popchnięcia.
- **OSTRZEŻENIE** - W żadnym wypadku nie stawiaj telewizora na niestabilnym podłożu. Telewizor mógłby upaść, powodując poważne obrażenia lub śmierć. Wiele obrażeń, w szczególności u dzieci, można zapobiec, podejmując proste środki zaradcze, takie jak:
  - Używać wyłącznie mebli, które mogą stanowić bezpieczną podstawę dla telewizora.
  - Upewnij się, że telewizor nie wystaje poza krawędź mebla, na którym stoi.
- Nie stawiać telewizora na wysokich meblach (na przykład regałach, kredensach) bez przymocowania zarówno mebla jak i telewizora do stabilnej podstawy.
- Nie umieszczaj telewizora na obrusie ani innych tkaninach ułożonych między telewizorem a meblem, na którym stoi.
- Pouchyż dzieci o niebezpieczeństwach związanych ze wspinaniem się na meble w celu dosięgnięcia telewizora lub jego elementów sterujących.
- Upewnij się, że dzieci nie wspinają się ani nie wieszają na telewizorze.
- Jeśli telewizor jest przechowywany i przenoszony, należy wziąć pod uwagę te same środki ostrożności.
- Instrukcje przedstawione poniżej opisują bezpieczniejszy sposób montażu telewizora poprzez zamocowanie go do ściany, co chroni go przed upadkiem do przodu i spowodowaniem obrażeń i szkód.
  - Przy instalacji tego typu potrzebny będzie pas mocujący.
    - A) Używając jednego/obu górnych otworów montażowych i śrub (śruby znajdują się już w otworach montażowych) przypnij jeden koniec pasa do telewizora.
    - B) Zamocuj drugi koniec do ściany.
  - Oprogramowanie telewizora i układ menu ekranowego mogą ulec zmianie bez powiadomienia.
- Uwaga: Wylądowanie elektrostatyczne może spowodować nieprawidłowe działanie urządzenia. W takim przypadku wyłącz telewizor i włącz ponownie. Telewizor będzie działał normalnie.

### Ostrzeżenie:

- Nie wolno korzystać z odbiornika telewizyjnego natychmiast po rozpakowaniu. Przed użyciem należy odczekać, aż telewizor nagrzeje się do temperatury pokojowej.
- Nigdy nie podłączaj żadnych zewnętrznych urządzeń do pracującego telewizora. Wyłącz nie tylko telewizor, ale również podłączone urządzenia! Włóż wtyczkę do gniazda w ścianie po podłączeniu urządzeń zewnętrznych i anteny!
- Zawsze upewnij się, że masz swobodny dostęp do wtyczki telewizora.
- Urządzenie nie jest przeznaczone do wykorzystania w miejscu pracy wyposażonym w monitory.
- Częste korzystanie ze słuchawek z ustawionym wysokim poziomem głośności może spowodować nieodwracalne uszkodzenia słuchu.
- Zapewnij przyjazną środowisku utylizację urządzenia i elementów - włącznie z bateriami. W razie wątpliwości skontaktuj się z lokalnymi władzami, żeby uzyskać informacje na temat recyklingu.
- Instalując urządzenie nie zapomnij, że powierzchnie mebli są pokryte różnymi lakierami, plastikiem itp. lub mogą być wypolerowane. Substancje chemiczne zawarte w tych produktach mogą wchodzić w reakcje z podstawą telewizora. Może to spowodować przywarcie materiału do powierzchni mebli, co utrudni przesuwanie, a nawet je unieżliwi.
- Ekran telewizora został wyprodukowany w najwyższej jakości warunkach i został kilkakrotnie szczegółowo sprawdzony pod kątem wadliwych

pikseli. Ze względu na charakter technologiczny procesu produkcyjnego nie jest możliwe wyeliminowanie małej liczby wadliwych punktów na ekranie (nawet przy zachowaniu maksymalnej dbałości podczas produkcji). Te wadliwe piksele nie są uważane za wadliwe w znaczeniu gwarancyjnym, jeśli ich liczba nie jest większa niż limity określone przez normę DIN.

- Producent nie ponosi odpowiedzialności ani nie jest zobowiązany do rozstrzygnięcia kwestii obsługi klienta związanych z treściami bądź usługami osób trzecich. Wszelkie pytania, komentarze lub zapytania o usługi związane z treściami lub usługami osób trzecich powinny być kierowane bezpośrednio do odpowiedniego dostawcy treści lub usług.
- Istnieje wiele powodów, dla których użytkownik może nie być w stanie uzyskać dostępu do usług ze swojego urządzenia, niezwiązanych z samym urządzeniem, w tym między innymi awaria zasilania lub połączenia internetowego czy nieprawidłowa konfiguracja urządzenia. Firma UMC Poland, jej dyrektorzy, urzędnicy, pracownicy, pełnomocnicy, wykonawcy i jednostki stowarzyszone nie ponoszą odpowiedzialności przed użytkownikiem ani osobą trzecią w przypadku wspomnianych awarii lub przestoju, niezależnie od powodów awarii oraz tego, czy można było jej uniknąć.
- Wszelkie treści i usługi osób trzecich dostępne na niniejszym urządzeniu są świadczone użytkownikowi w ich bieżącym stanie oraz w miarę dostępności; UMC Poland i jej spółki stowarzyszone nie składają użytkownikowi żadnych oświadczeń ani zapewnień, wyraźnych ani dorozumianych, w tym między innymi, choć nie wyłącznie, nie udzielają gwarancji przydatności handlowej, nienaruszalności praw i przydatności do określonego celu ani gwarancji adekwatności, dostępności, dokładności, kompletności, bezpieczeństwa, własności, użyteczności, braku zaniedbania czy bezzbędnego lub nieprzerwanego działania lub użytkowania treści i usług świadczonych użytkownikowi przez osoby trzecie, a także nie gwarantują, że takie treści lub usługi będą zgodne z wymaganiami i oczekiwaniami użytkownika.
- UMC Poland nie jest pośrednikiem i nie ponosi odpowiedzialności za działania i zaniechania dostawców treści i usług osób trzecich ani za żaden aspekt treści i usług takich dostawców.
- UMC Poland i/lub jej spółki stowarzyszone w żadnym wypadku nie będą odpowiedzialne przed użytkownikiem ani osobą trzecią za żadne szkody bezpośrednie, pośrednie, szczególne, karne, wynikające lub inne, niezależnie od tego, czy podstawą odpowiedzialności jest umowa, delikt, zaniedbanie, naruszenie zasad gwarancji, odpowiedzialności bezpośrednia czy inna oraz bez względu na to, czy UMC Poland i/lub jej spółki stowarzyszone zostały poinformowane o możliwości wystąpienia takich szkód.
- **Opisywany produkt zawiera technologię podlegającą określonym prawom własności intelektualnej firmy Microsoft. Wykorzystanie lub dystrybucja tej technologii poza opisywanym produktem jest zabroniona bez odpowiedniej(ich) licencji firmy Microsoft.**
- **Właściciele zawartości korzystają z technologii dostępu do zawartości Microsoft PlayReady™ w celu ochrony ich własności intelektualnej, w tym zawartości chronionej prawami autorskimi. Opisywane urządzenie wykorzystuje technologię PlayReady, aby uzyskać dostęp do zawartości chronionej przez PlayReady i/lub WMDRM. Jeśli urządzenie nie będzie prawidłowo egzekwować ograniczeń dotyczących wykorzystania zawartości, właściciele zawartości mogą wymagać od firmy Microsoft wycofania możliwości wykorzystania przez urządzenie zawartości chronionych przez PlayReady. Unieważnienie nie powinno wpływać na niechronioną zawartość, ani zawartość chronioną przez inne technologie dostępu do zawartości. Właściciele zawartości mogą wymagać od użytkownika aktualizacji PlayReady w celu uzyskania dostępu do zawartości. Jeśli odrzucisz aktualizację, nie będziesz mieć dostępu do zawartości wymagających aktualizacji.**

## Ważne informacje dotyczące użycia gier wideo, komputerów, napisów i innych źródeł stałych obrazów.

- Dłuższe wyświetlanie materiałów ze stałym obrazem może spowodować pozostanie "obrazu resztkowego" na ekranie LCD (czasami

nieprawidłowo nazywanego "wypaleniem na ekranie"). Ten obraz resztkowy będzie stale widoczny w tle. Jest to uszkodzenie nieodwracalne. Można uniknąć takiego uszkodzenia postępując zgodnie z poniższymi instrukcjami:

- Zmniejsz jasność/kontrast do minimalnego poziomu, który jest odpowiedni do oglądania.
- Nie wyświetlaj stałego obrazu przez dłuższy czas. Unikaj wyświetlania:
  - » Tabel i czasu z telegazety
  - » Menu telewizora/DVD, np. zawartości DVD
  - » W trybie „Pauza” (wstrzymanie): Nie używaj tego trybu przez długi czas, np. podczas oglądania DVD lub filmów.
  - » Wyłącz urządzenie, jeśli go nie używasz.

## Baterie

- Zachowaj prawidłową polaryzację, gdy montujesz baterie.
- Nie wystawiaj baterii na działanie wysokich temperatur i nie umieszczaj ich w miejscach, których temperatura może gwałtownie wzrosnąć, np. w pobliżu ognia lub w bezpośrednim świetle słonecznym.
- Nie wystawiaj baterii na działanie nadmiernego ciepła, nie wrzucaj ich do ognia, nie rozmontowuj i nie próbuj ładować zwykłych baterii. Mogłyby wyciec lub eksplodować.
  - » Nigdy nie stosuj jednocześnie różnych baterii i nie łącz baterii nowych ze starymi.
  - » Użyłuj baterie w sposób przyjazny dla środowiska.
  - » Większość państw UE posiada przepisy regulujące usuwanie baterii.



## OSTRZEŻENIE:

- **PRODUKT LASEROWY KLASY 1 LASER** (Dotyczy modeli z wbudowanym odtwarzaczem DVD). Ta etykieta z ostrzeżeniem jest umieszczona na panelu tylnym urządzenia.
- **TEN PRODUKT JEST URZĄDZENIEM LASEROWYM KLASY 1. TO URZĄDZENIE WYKORZYSTUJE WIDZIALNĄ WIĄZKĘ LASEROWĄ, KTÓRA MOŻE BYĆ NIEBEZPIECZNA W PRZYPADKU SKIEROWANIA BEZPOŚREDNIEGO. ODTWARZACZ NALEŻY OBSŁUGIWAĆ PRAWIDŁOWO, ZGODNIE Z INSTRUKCJAMI.**
- **GDY URZĄDZENIE JEST PODŁĄCZONE DO SIECI ELEKTRYCZNEJ, NIE NALEŻY ZBLIŻAĆ OCZU DO OTWORÓW W OBUDOWIE, ŻEBY ZAJRZEĆ DO JEJ WĘNĘTRZA.**
- **KORZYSTANIE Z ELEMENTÓW STERUJĄCYCH LUB WYKONYWANIE CZYNNOŚCI INNYCH NIŻ OPISANO W NINIEJSZEJ INSTRUKCJI MOŻE NARAZIĆ NA NIEBEZPIECZNE PROMIENIOWANIE.**
- **NIE WOLNO DEMONTOWAĆ OBUDOWY, ANI SAMODZIELNIE NAPRAWIAĆ URZĄDZENIA. NAPRAWY NALEŻY ZLECAĆ WYKWALIFIKOWANYM PRACOWNIKOM SERWISU.**

## Utylizacja

- Nie wyrzucaj niniejszego telewizora do niesortowanych śmieci z gospodarstwa domowego. Oddaj go do wyznaczonego punktu odbioru w celu przetworzenia zgodnie z przepisami WEEE. W ten sposób oszczędzasz zasoby naturalne i chronisz środowisko. Więcej informacji możesz uzyskać od sprzedawcy lub lokalnych władz.



## Deklaracja zgodności:

- UMC Poland Sp. z o.o. niniejszym oświadcza, że ten telewizor LED spełnia zasadnicze wymagania oraz inne odnośne normy określone w dyrektywie RED 2014/53/EU. [www.sharpconsumer.eu/documents-of-conformity/](http://www.sharpconsumer.eu/documents-of-conformity/)  
Urządzenie może być używane we wszystkich krajach UE. Maks. moc nadawcza Wi-Fi: 100 mW przy 2,412 GHz – 2,472 GHz



## Zawartość opakowania

### Zestaw zawiera następujące elementy:

- |                                |  |
|--------------------------------|--|
| • 1x telewizor                 | • 1x zestaw do instalacji podstawy telewizora                                    |
| • 1x pilot zdalnego sterowania | • 1x Skrócony opis obsługi   |
| • 2x bateria AAA               | • 1x zestaw do montażu na ścianie (4 x wkręty M6x35 i 4 x plastikowe podkładki)* |

\* - Dostępne wyłącznie dla modeli 50"

## Montaż podstawy

Należy postępować zgodnie ze wskazówkami podanymi w ulotce technicznej, dołączonej do torby z wyposażeniem.

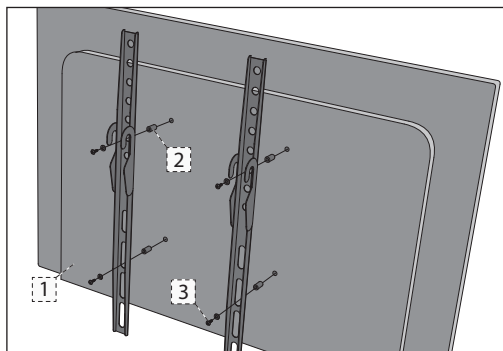
## Montaż telewizora na ścianie

Postępuj zgodnie z instrukcją producenta uchwytu na telewizor.

## Montaż telewizora na ścianie

1. Odkręć 4 wkręty, dostarczone z płytą do montażu na ścianie.
2. Płytę do montażu na ścianie można łatwo zamocować w otworach montażowych na tylnym panelu telewizora.
3. Zainstaluj wspornik do montażu na ścianie do telewizora w sposób zalecany przez producenta wspornika.

W przypadku montażu wsporników do modelu 50", zamiast śrub wkręconych już w otwory montażowe telewizora, zalecamy zastosowanie dłuższych śrub i podkładek dostarczonych w zestawie z akcesoriami. Włóż podkładki do otworów montażowych w tylnej części obudowy telewizora, a następnie załóż na nie wsporniki. Zamocuj wsporniki i podkładki do telewizora przy pomocy śrub, tak jak pokazano poniżej:



1. TV
2. PODKŁADKA
3. ŚRUBA

**UWAGA:** Telewizor i wsporniki widoczne na rysunku są pokazane wyłącznie w celach demonstracyjnych i mogą się różnić.

## Przed uruchomieniem - początkowa konfiguracja

1. Przy pomocy kabla antenowego podłącz telewizor do gniazda antenowego w ścianie.
2. Aby połączyć się z Internetem połączeniem przewodowym, podłącz kabel Cat 5/Ethernet telewizora (niezależny) do szerokopasmowego modemu/routera.
3. Włóż dołączone baterie do pilota.
4. Podłącz przewód zasilający do gniazdka elektrycznego.
5. Przejdź teraz do kolejnych punktów w celu skonfigurowania telewizora.
6. Po włączeniu telewizora powita Cię menu **Pierwszej instalacji**. Jeśli nie pojawi się, naciśnij na pilocie [MENU] i 8-8-8-8, a wyświetli się menu. Jeśli chcesz dokonać zmian w ustawieniach domyślnych, użyj przycisków przewijania ▲/▼/◀/▶. Żeby w dowolnym momencie wyjść z tego menu, naciśnij przycisk [EXIT].
7. **Proszę skonfigurować żądane ustawienia na ekranie PIERWSZA INSTALACJA.**

## Przyciski\* telewizora

**Vol+** Zwiększenie głośności i przejście w menu w prawo

**Vol-** Zmniejszenie głośności i przejście w menu w lewo

**CH+** Następny program/kanal i przejście w menu do góry

**CH-** Poprzedni program/kanal i przejście w menu w dół

**MENU** Wyświetla menu/menu ekranowe

**SOURCE** Wyświetla menu źródła wejściowego

**STANDBY** Włączenie/wyłączenie trybu czuwania

\* - **telewizory z przyciskami**

## Manipulator\* wielofunkcyjny

Manipulator wielofunkcyjny znajduje się w lewym dolnym narożniku na tylnym panelu telewizora. Można go użyć zamiast pilota do sterowania większością funkcji telewizora.

**Jeśli telewizor znajduje się w trybie czuwania:**

- krótkie naciśnięcie manipulatora - włączenie zasilania

**Podczas oglądania telewizji:**

- PRAWO/LEWO – zwiększenie/zmniejszenie głośności
- GÓRA/DÓŁ – zmiana kanału w górę/dół
- krótkie naciśnięcie – wyświetlanie menu
- długie naciśnięcie – przełączenie do trybu czuwania

**Przy otwartym menu:**

- PRAWO/LEWO/GÓRA/DÓŁ – nawigacja kursorem w menu ekranowym
- krótkie naciśnięcie – wybór elementu OK/Zatwierdź
- długie naciśnięcie – powrót do poprzedniego menu

\* - **telewizory z manipulatorem wielofunkcyjnym**

## Wybór trybu wejścia/źródła

Żeby przełączyć między różnymi wejściami/złączami.

**a) Przy pomocy przycisków pilota:**

1. Naciśnij [SOURCE/☐] - Wyświetli się menu źródła.
2. Przyciskami [◀] i [▶] wybierz żądane wejście.
3. Naciśnij [OK].

**b1) Przy pomocy przycisków\* na telewizorze:**

1. Naciśnij [SOURCE].
2. Przewiń w górę/dół przy pomocy przycisków VOL+/VOL-, żeby wybrać żądane wejście/źródło.
3. Naciśnij [SOURCE], żeby zmienić wejście/źródło na wybrane.

**b2) Korzystanie z manipulatora\*:**

1. Krótkie naciśnięcie manipulatora spowoduje otwarcie menu.
2. Naciśnięcie manipulatora umożliwia nawigację kursora w menu ŹRÓDŁA SYGNAŁU.
3. Krótkie naciśnięcie manipulatora spowoduje otwarcie menu ŹRÓDŁA SYGNAŁU.
4. Przy pomocy manipulatora wybierz żądane wejście/źródło sygnału.
5. Krótkie naciśnięcie manipulatora spowoduje zmianę wejścia/źródła sygnału na wybrane.

\* - *Opcja*

## Poruszanie się po menu telewizora

Żeby uzyskać dostęp do tego menu, naciśnij na pilocie przycisk [MENU]. Żeby wejść do menu, naciśnij [OK]. Jeśli chcesz dokonać zmian w ustawieniach domyślnych, użyj przycisków przewijania (▲/▼/◀/▶). Żeby zatwierdzić dowolne ustawienie, naciśnij przycisk [OK]. Żeby w dowolnym momencie wyjść z tego menu, naciśnij przycisk [EXIT].

## Instrukcja obsługi w wersji elektronicznej

Aby uruchomić instrukcję on-line, naciśnij przycisk [MENU], a następnie wybierz Ustawienia > Informacje o TV > Informacje o pomocy > Pogląd instrukcji on-line.

## Pilot zdalnego sterowania

Zapoznaj się z ekranową instrukcją obsługi dostępną w telewizorze.

## Viktige sikkerhetsinstruksjoner



### Les disse sikkerhetsinstruksjonene og respekter følgende advarsler før produktet brukes:



- TV-sett med skjerm på 43 tommer eller mer må løftes og bæres av minst to personer.
- TV-en inneholder ikke deler som kan repareres av brukeren. Hvis en feil oppstår, ta kontakt med produsenten eller autorisert serviceverksted. Kontakt med visse deler inne i TV-en kan medføre livet ditt. Garantien omfatter ikke feil som forårsakes av reparasjoner som er utført av uautoriserte tredjeparter.
- Den bakre delen av produktet må ikke fjernes.
- Dette apparatet er laget for mottak og reproduksjon av video- og lydsignaler. Annen bruk er strengt forbudt.
- TV-en må ikke utsettes for dryppende eller flytende væske.
- For å koble fra TV-en fra strømmettet, må du trekke ut nettstøpelet fra stikkkontakten.
- Hvis strømløsningen er skadet, må den skiftes ut av produsenten, serviceagent eller tilsvarende kvalifisert personell for å unngå fare.
- Den foreslåtte avstanden for å se HD-TV, er cirka fem ganger lengre enn skjermhøyden. Lys fra andre lyskilder kan reflekteres i TV-en og kan forverre bildet.
- Sørg for at TV har tilstrekkelig ventilasjon og ikke er i nærheten av andre apparater og andre møbler.
- Installer produktet minst 5 cm fra veggen for ventilasjon.
- Sørg for at det er ingenting som hindre ventilasjonsåpningene på baksiden av TV-en.
- TV-apparatet må brukes i et moderat klima.
- TV-apparatet må kun brukes på et tørt sted. Når TV-en brukes utenfor, sørg for at den er beskyttet mot fuktighet (regn, vannsprut). TV-en må beskyttes mot fuktighet.
- Ikke plasser ting eller beholdere med væske som f.eks. vaser eller lignende på TV-en. Disse beholderne kan skyves over og dette vil medføre fare for elektrisk sikkerhet. Plasser TV utelukkende på flatt og stabilt underlag. Ikke plasser gjenstander som aviser eller tepper, osv. på eller under TV-en.
- Sørg for at produktet ikke står på noen strømkabler, fordi de kan bli skadet. Mobiltelefoner og andre enheter, for eksempel WLAN-adaptere, overvåkningskameraer med trådløs signaloverføring, osv. kan forårsake elektromagnetiske forstyrrelser, og disse bør ikke plasseres i nærheten av apparatet.
- Apparatet må ikke plasseres i nærheten av varmelementer eller på et sted med direkte sollys, fordi det har en negativ effekt på kjøling av apparatet. Varmelagring er farlig, og dette kan redusere levetiden på apparatet. For å ivareta sikkerheten, be en kvalifisert person for å fjerne skitt fra apparatet.
- Prøv å unngå skader på strømkabelen eller strømadapter. Apparatet kan bare kobles med den medfølgende strømkabelen/adapteren.
- Stormer er farlige for alle elektriske apparater. Hvis strømforsyning eller overliggende ledninger blir skadet av lyn, kan apparatet skades selv om det er slått av. Alle kablene og kontaktene bør kobles fra før en storm.

- Bruk bare en fuktig og myk klut hvis du ønsker å rengjøre skjermen. Bruk kun rent vann. Vaskemidler og løsemidler må aldri brukes.
- TV-en må plasseres nær veggen slik at den ikke faller når den skyves.
- ADVARSEL – TV-en skal aldri plasseres på et ustøtt sted. En TV kan falle, noe som kan forårsake alvorlige personskader eller dødsfall. Mange skader, særlig når det gjelder barn, kan unngås ved å ta enkle forholdsregler som f.eks.:
- Bruk skap eller stativ som TV-produsenten anbefaler.
- Bruk bare møbler som støtter TV-en sikkert.
- Pass på at TV-en ikke går over kanten på møbelet det er plassert på.
- Ikke plasser TV-en på et høyt møbel (som f.eks. et matskap eller bokhylle) uten å feste både møbelet og TV-en sikkert.
- Ikke plasser TV-en på tøy eller annet material som ligger mellom TV-en og møbelet som TV-en er plassert på.
- Lær barna om varer ved å klatre på møbler for å nå TV-en eller fjernkontroller.
- Pass på at barn ikke klatrer på eller henger på TV-en.
- Dersom det nærværende TV-apparatet beholdes og flyttes, må de samme forholdsreglene tas.
- Instruksjonene nedenfor viser en sikker måte å sette opp TV-en ved å fiske den til veggen og derfor unngå at den faller forover og forårsake skader.
- En festekabel trenges for denne typen installasjon.
  - A) En/begge av øverste veggmonteringshull og skruer (skruene leveres allerede i veggmonteringshull) vil feste den ene enden av festebåndene til TV-en.
  - B) Fest den andre enden av festebåndene i veggen.
- Programvaren på TV-en og OSD-oppsettet kan endres uten varsel.
- Merk: Hvis apparatet utsettes for elektrostatisk utladning (ESD), kan den vise feil funksjon. I så fall slår du TV-en av og på igjen. Da vil TV-apparatet vil fungere normalt igjen.

### Advarsel:

- Ikke bruk TV-en rett etter at du pakket den opp. Vent til TV-en er varmet opp til romtemperatur før du bruker den.
- Aldri koble eksterne enheter til et live produkt. Slå av TV-en og enhetene som blir koblet! Plugg TV-pluggen inn i stikkkontakten etter eksterne enheter og antenne er koblet!
- Sørg alltid at det er fri tilgang til TV-støpelet.
- Apparatet er ikke beregnet for bruk på en arbeidsplass utstyrt med skjerm.
- Systematisk bruk av hodetelefoner med høyt volum kan føre til hørselsskader.
- Dette apparatet, eventuelle komponenter, inkludert batterier skal kastes i samsvar med miljøavsetninger. Når du er i tvil, ta kontakt med lokale myndigheter for informasjon om resirkulering.
- Når apparatet installeres, ikke glemt at møbeloverflater er behandlet med ulike lakk, plast, osv. eller de kan poleres. Kjemikalier som finnes i disse produktene kan ha en reaksjon med TV-stativet. Dette kan resultere i biter av materialet som fester seg til møbelflate, som er vanskelig å fjerne, om ikke helt umulig.
- Skjermen på TV-en er produsert med topp kvalitet og er sjekket i detalj for defekte piksler flere ganger. På grunn av de teknologiske egenskapene av fremstillingsprosessen, er det ikke mulig å sikre at det foreligger et lite antall defekte punkter på skjermen (selv med maksimal vare mens i produksjon). Disse defekte piksler anses ikke feil når det gjelder garantivilkår, hvis deres omfang er ikke større enn de grensene som er definert av DIN norm.
- Utstyr som er koplet til beskyttelsesjord via nettplugg og/eller via annet jordtilkoppelt utstyr - og er tilkoppelt et kabel-TV nett, kan forårsake brannfare. For å unngå dette skal det ved tilkopling av utstyret til kabel-TV nettet installeres en galvanisk isolator mellom utstyret og kabel-TV nettet.
- Produsenten kan ikke holdes ansvarlig, eller være ansvarlig for kundtjenesterelaterte forhold knyttet til tredjeparts innhold eller tjenester. Eventuelle spørsmål, kommentarer eller serviceelaterte spørsmål knyttet til tredjeparts innhold eller tjenester bør gjøres direkte til gjeldende innholds- eller tjenesteleverandør.

- Det finnes en rekke grunner til at du kan ikke få tilgang til innhold eller tjenester fra enheten som ikke er relatert til selve enheten, inkludert, men ikke begrenset til, strømbrudd, Internett-tilkobling, eller unnlattelse av å konfigurere enheten på riktig måte. UMC Poland, dets styremedlemmer, ledere, ansatte, agenter, kontraktører og partnere skal ikke være ansvarlig overfor deg eller noen tredjepart med hensyn til slike feil eller vedlikeholdsstans, uansett årsak eller hvorvidt det kunne ha vært unngått.
- Tredjeparts innhold eller tjenester som er tilgjengelige via denne enheten gis til deg på en "som den er" og "som tilgjengelig" basis og UMC Poland og dets partnere gir ingen garanti eller forsikring av noe slag til deg, enten direkte eller indirekte, inkludert, uten begrensning, alle garantier om salgbarhet, ukrenkelighet, egnethet for et bestemt formål eller noen garantier om egnethet, tilgjengelighet, nøyaktighet, fullstendighet, sikkerhet, tittel, nytte, mangel på uaktsomhet eller feilfri eller uavbrutt drift eller bruk av innhold eller tjenester levert til deg eller at innhold eller tjenester vil oppfylle dine krav eller forventninger.
- 'UMC Poland' er ikke en agent, og overtar intet ansvar for handlinger eller unnlattelse av tredjeparts innhold eller tjenesteleverandører, eller noen aspekter om innholdet eller tjeneste relatert til slike tredjeparts-leverandører.
- Ikke i noe tilfelle vil 'UMC Poland' og/eller dets partnere være ansvarlig overfor deg eller noen tredjepart for noen direkte, indirekte, spesielle, tilfeldige, straffende, følgeskader eller andre skader, vidt teorien om ansvar er basert på kontrakt, erstatningsansvar, uaktsomhet, brudd på garanti, objektivt ansvar eller annet, og om UMC Poland og/eller tilknyttede selskaper eller ikke har blitt informert om muligheten for slike skader.
- **Dette produktet inneholder teknologi som er underlagt visse immaterielle rettigheter som tilhører Microsoft. Bruk eller distribusjon av denne teknologien utenfor dette produktet er forbudt uten riktig(e) lisens(er) fra Microsoft.**
- **Innholdseiere bruker tilgangsteknologi i Microsoft PlayReady™-innhold til å beskytte immaterielle rettigheter, inkludert opphavsrettsbeskyttet innhold. Denne enheten bruker PlayReady-teknologi for å få tilgang til PlayReady-beskyttet innhold og/eller WMDRM-beskyttet innhold. Hvis enheten ikke klarer å håndheve begrensninger for innholdsbruk, kan innholdseiere kreve at Microsoft tilbakekaller enhetens mulighet til å konsumere PlayReady-beskyttet innhold. Tilbakekalling skal ikke påvirke ubeskyttet innhold eller innhold beskyttet av annen tilgangsteknologi. Innholdseiere kan kreve at du oppgraderer PlayReady for å få tilgang til innholdet deres. Hvis du avviser en oppgradering, kan du ikke få tilgang til innhold som krever oppgraderingen.**

## Viktig informasjon om bruk av dataspill, datamaskiner, bildetekster og andre faste bildevisninger.

- Utvidet bruk av faste bildeprogrammateriale kan føre til permanent skyggebilder på LCD-skjermen (noen ganger feilaktig referert til som "utbrenning"). Skyggebildet er så permanent synlig på skjermen i bakgrunnen. Det er irreversibel skade. Du kan unngå en slik skade ved å følge instruksjonene nedenfor:
- Reduser lysstyrke/kontrastinnstilling til et minimum visningsnivå.
- Det faste bildet må ikke vises for en lang periode. Unngå visning av:
  - » Tekst-TV tid og diagrammer,
  - » TV/DVD-menyen, for eksempel DVD-innhold,
  - » I "Pause" modus (hold): Denne modusen må ikke brukes for en lang tid, for eksempel, mens du ser en DVD eller en video.
  - » Slå av apparatet hvis du ikke bruker den.

## Batterier

- Vær oppmerksom på polariteten når du setter inn batteriene.
- Batterier må ikke utsettes for høye temperaturer og må ikke settes på steder der temperaturen kan øke raskt, f.eks. i nærheten av brannen eller på direkte solskinn.



Cd

- Batterier må ikke utsettes for sterk strålevarme, ikke kaste dem på ilden, ikke demontere dem og ikke prøve å lade batterier som kan ikke lades opp. De kan lekke eller eksplodere.
  - » Ikke bruk forskjellige batterier sammen eller blande nye og gamle.
  - » Kast batteriene på en miljøvennlig måte.
  - » De fleste av EU-landene regulerer disponering av batterier gjennom lov.

## FORSIKTIG:

- LASERPRODUKT KLASSE 1 (Gjelder for modeller med innebygget DVD-spiller). Dette varselmerket er plassert på baksiden av enheten.
- DENNE ENHETEN ER ET LASERPRODUKT I KLASSE 1. DENNE ENHETEN BRUKER EN SYNLIG LASERSTRÅLE SOM KAN FØRE TIL STRÅLING HVIS DEN RETTES MOT DYR ELLER MENNESKER. SØRG FOR Å OPERERE SPILLEREN SOM BESKREVET I VEILEDNINGEN.
- NÅR ENHETEN ER KOBLET TIL ET STRØMUTTAK, MÅ DU IKKE PlassERE ØYNE NE NÆR ÅPNINGENE FOR Å SE PÅ INNSIDEN AV DENNE ENHETEN.
- HVIS MAN BRUKER KONTROLLER, GJØR JUSTERINGER ELLER UTFØRER PROSEDYRER SOM IKKE ER OPPGITT HER, SÅ KAN DET FØRE TIL FARLIG STRÅLING.
- DU MÅ IKKE ÅPNE DEKSLENE OG IKKE REPARERE PRODUKTET SELV. OVERLAT SERVICE TIL KVALIFISERT PERSONELL.

## Avfallshåndtering

- Tven må ikke kastes som restavfall. Det må returneres til et utpekt innsamlingssted for resirkulering av EE-avfall. Ved å gjøre dette, vil du bidra til å spare ressurser og beskytte miljøet. Hvis du ønsker mer informasjon, ta kontakt med din forhandler eller lokale myndigheter.



## CE-erklæring:

- Erklærer herved UMC Poland Sp. z o.o. at denne LED-TV er i samsvar med de grunnleggende krav og øvrige relevante krav i RED-direktiv 2014/53/EU. [www.sharpconsumer.eu/documents-of-conformity/](http://www.sharpconsumer.eu/documents-of-conformity/). Du finner hele EU-samsvarserklæringen ved å følge koblingen [www.sharpconsumer.eu/documents-of-conformity/](http://www.sharpconsumer.eu/documents-of-conformity/). Dette utstyret kan brukes i alle EU-land. Wi-Fi maks. overføringseffekt: 100 mW ved 2,412 GHz – 2,472 GHz

## Innhold i esken

### Denne TV inkluderer følgende deler:

- |                    |   |
|--------------------|---|
| • 1x TV            | • 1x Installasjonspakke for TV-stativet                               |
| • 1x Fjernkontroll | • 1x Hurtigstartveiledning  |
| • 2x AAA-batterier | • 1x veggmonteringssett (4x M6x35-skruer og 4x plastavstandsstykker)* |

\* - Kun tilgjengelig for 50 tommer modeller

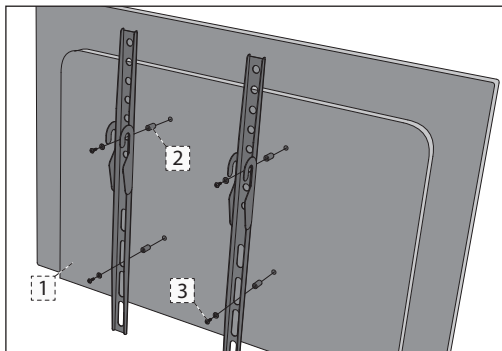
## Hvordan å feste stativet

Følg instruksjonene i det tekniske heftet som ligger i tilbehørsbagen.

## Veggmontere TV-en

1. Fjern de fire skrueene som er gitt i veggmonteringshullene.
2. Veggmonteringen kan nå enkelt festes til monteringshullene på baksiden av TV-en.
3. Installer veggmonteringsbraketter til TV-en som vist av brakettprodusenten.

Når du fester veggmonteringsbraketter på 50 tommer modellen, anbefaler vi å bruke lengre skruer og avstandsstykkene som følger med i tilbehørspakken i stedet for skrueene som følger med TV-ens veggmonteringshull. Sett avstandsstykkene i TV-ens veggmonteringshull bak på TV-en og plasser så veggbrakettene på dem. Fest braketter og avstandsstykker til TV-en med lengre skruer, som vist under:



1. TV
2. AVSTANDSSTYKKE
3. SKRUE

**MERK:** TV-en og veggbraketttypen som vises i diagrammet er kun ment som illustrasjon.

## Tilkoblinger

Før tilkobling av eksterne enheter, se siste side i denne brukerhåndboken.

## Komme i gang - førstegangs oppsett

1. Bruk RF-kabelen og koble TV-en til veggkontakten med TV-antenne.
2. Hvis du ønsker å koble til Internett med en kablet tilkobling, må en Cat 5/Ethernet-kabel (følger ikke med) kobles fra TV til bredbåndsmodemet/ruteren.
3. Sett inn batteriene i fjernkontrollen.
4. Koble til strømkabelen til stikkkontakten.
5. Fortsett nå til de neste trinnene for å konfigurere TV-en.
6. Etter du slår TV-en på, blir du møtt av menyen **Installasjon for første gang**. Hvis den ikke vises, trykk på [MENU] på fjernkontrollen og deretter 8-8-8-8; menyen vil vises. Hvis du ønsker å endre standardinnstillingene, bruk ▲/▼/◀/▶. Trykk på [EXIT]-knappen, hvis du ønsker å gå ut av denne menyen.
7. **Angi ønskede innstillinger i skjermen for FØRSTEGANGSINSTALLASJON.**

## TV-knapper\*

**Vol+** Volum opp og menyen til høyre

**Vol-** Volum ned og menyen til venstre

**CH+** Program/kanal opp og menyen opp

**CH-** Program/kanal ned og menyen ned

**MENU** Viser Meny/OSD

**SOURCE** Viser inngangskildemenyen

**STANDBY** Ventemodus Slå på/av

\* - for TV med knapper

## Pinne\* for TV-kontroll

Pinnen for TV-kontroll finnes nede på venstre side på baksiden av TV-en. Du kan bruke den i stedet for fjernkontrollen for å kontrollere de fleste funksjonene til TV-en.

**Mens TV er i standbymodus:**

- kort trykk på kontrollpinne - Slå på

**Mens du ser på TV:**

- HØYRE/VENSTRE - volum opp/ volum ned
- OPP/NED - endrer kanal opp/ned
- kort trykk - viser meny
- langt trykk - standby

**Mens i meny:**

- HØYRE/VENSTRE/OPP/NED - navigere markør i menyer på skjermen
- kort trykk - OK/bekre ft valgt element
- langt trykk - Tilbake til forrige meny

\* - for TV med styrespake

## Velge modus Inngang/Kilde

Å veksle mellom de forskjellige inngangene/tilkoblingene.

**a) Ved å bruke knappene på fjernkontrollen:**

1. Trykk på [SOURCE/☐] - Kildemenyen vises.
2. Trykk på [◀] eller [▶] for å velge inngangen du trenger
3. Trykk på [OK].

**b) Ved å bruke knappene\* på TV:**

1. Trykk på [SOURCE].
2. Bla opp/ned ved å bruke VOL+/VOL- til inngangen/kilden du trenger.
3. Trykk på [SOURCE] for å endre inngang/kilde til den som er valgt.

**b2) Bruk av pinne\* for TV-kontroll:**

1. Kort trykk på kontrollpinnen for å åpne meny.
2. Trykk kontrollpinnen ned og naviger markør til KILDER-meny.
3. Kort trykk på kontrollpinnen for å åpne KILDER-meny.
4. velg inngangen/kilden du ønsker med kontrollpinnen.
5. Du endrer inngang/kilde til den som er valgt med et kort trykk på kontrollpinnen.

\* - **valgfritt**

## TV-meny

For å få tilgang til denne menyen, trykk på [MENU]-knappen på fjernkontrollen. Trykk på [OK] for å gå inn i menyen. Hvis du ønsker å endre standardinnstillingene, bruk (▲/▼/◀/▶). Trykk på [OK] hvis du ønsker å bekrefte noen innstillinger. Trykk på [EXIT]-knappen, hvis du ønsker å gå ut av denne menyen.

## Elektronisk instruksjonshåndbok

For å starte håndboken på nettet, trykk på [MENU]-knappen og velg deretter **Innstillinger**> **Om TV**> **Hjelpinformasjon**> **Se håndboken på nettet**.

## Fjernkontroll

Se i skjermhåndboken på TV.

## Viktiga säkerhetsföreskrifter



Vänligen läs dessa säkerhetsföreskrifter och respektera följande varningar innan apparaten används:



- Televizory s úhlopříčkou 43" nebo větší musí být zdvihány a přenášeny minimálně dvěma osobami.
- Denna TV innehåller inga delar som kan repareras av användaren. Vid fel, kontakta tillverkaren eller den auktoriserade serviceagenten. Kontakt med vissa delar inuti TV:n kan äventyra ditt liv. Garantin omfattar inte fel orsakade av reparationer utförda av obehörig tredje part.
- Ta inte bort baksidan av apparaten.
- Denna apparat är avsedd för mottagning och återgivning av video- och ljudsignaler. All annan användning är strängt förbjuden.
- Utsätt inte TV:n för droppande eller stänkande vätskor.
- För att koppla bort TV:n från elnätet, koppla ur stickkontakten ur vägguttaget.
- Om nätsladden är skadad måste den bytas ut av tillverkaren, en service-representant eller liknande kvalificerade personer för att undvika fara. Det rekommenderade avståndet för att titta på TV är ungefär fem gånger längre än höjden på skärmen. Reflektioner på skärmen från andra ljuskällor kan göra bildkvaliteten sämre.
- Se till att TV:n har tillräcklig ventilation och inte är nära andra apparater och andra möbler.
- Installera produkten minst 5 cm från väggen för ventilation.
- Se till att ventilationsöppningarna är fria från föremål såsom tändningar, dukar, gardiner etc.
- TV:n är utformad för användning i måttlig klimatmiljö.
- TV:n är exklusivt utformad för användning i torr miljö. När du använder TV:n utomhus, vänligen se till att den är skyddad mot fukt (regn, vattenstänk). Utsätt den inte för fukt.
- Placera inte några föremål, behållare fyllda med vätskor, såsom vaser, etc. på TV:n. Dessa behållare kan knuffas omkull, vilket kan äventyra elsäkerheten. Placera TV:n uteslutande på plant och stabilt underlag. Placera inga föremål som tidningar eller filter, etc. på eller under TV:n.
- Se till att apparaten inte står på några strömkablar eftersom de kan skadas. Mobiltelefoner och andra enheter som WLAN-adaptar, övervakningskameror med trådlös signalöverföring, etc. kan orsaka elektromagnetiska störningar och de bör inte placeras i närheten av apparaten.
- Placera inte apparaten i närheten av värmeelement eller på en plats med direkt solljus, eftersom det har en negativ effekt på kylningen av apparaten. Värmelagring är farligt och det kan allvarligt minska apparatens livslängd. För att garantera säkerheten, be en kvalificerad person att ta bort smuts från apparaten.
- Försök att förebygga skador på nätkabeln eller nätdaptern. Apparaten kan endast anslutas med den medföljande nätsladden/adaptern.
- Stormar är farliga för alla elektriska apparater. Om nät- eller antennenledningar träffas av blixten kan apparaten skadas, även om den är avstängd. Du bör koppla bort apparatens alla kablar och kontakter innan en storm.
- För att rengöra apparatens skärm, använd en fuktig och mjuk trasa. Använd endast rent vatten, aldrig tvättmedel och använd inte i något fall lösningsmedel.
- Placera TV:n nära väggen för att undvika att den välter när man trycker på den.

- **WARNING** - Placera aldrig en TV på en instabil plats. En TV-apparat kan falla, orsaka allvarlig personskada eller dödsfall. Många skador, särskilt på barn, kan undvikas genom att vidta enkla försiktighetsåtgärder som:
- Använd skåp eller stativ som rekommenderas av tillverkaren av TV-apparaten.
- Använd endast möbler som säkert kan stödja TV-apparaten.
- Se till att TV:n inte hänger över kanten på den stödjande möbelen.
- Placera inte TV:n på höga möbler (till exempel skåp eller bokhyllor) utan förankring för både möbelen och TV:n på ett passende stöd.
- Placera inte TV:n på duk eller andra material som kan finnas mellan TV-apparaten och stödjande möbler.
- Förklara för barn att det är farligt att klättra på möbler för att nå TV:n eller dess kontrollern.
- Se till att barn inte klättrar eller hänger på TV:n.
- Om din befintliga TV-apparat ska bevaras och flyttas, bör samma överväganden som ovan tillämpas.
- Instruktionerna nedan är ett säkrare sätt att montera TV:n, genom att fästa den på väggen och undvika risken att den faller framåt och orsakar skador.
- För denna typ av installation behöver du en fastsättningskabel.
  - A) Med användning av ett/båda övre väggmonteringshål och skruvarna (skruvarna finns redan i väggmonteringshålerna) fäst ena änden av fastsättningskabeln till TV:n.
  - B) Fäst den andra änden av fastsättningskabeln i din vägg.
- Programvaran på TV:n och OSD-layouten kan ändras utan föregående meddelande.
- Obs: i fall av elektrostatisk urladdning (ESD) kan apparaten visa felaktig funktion. I sådana fall stäng av TV:n och på igen. TV:n kommer att fungera normalt.

### Varning:

- Använd inte TV:n direkt efter uppäckning. Vänta tills TV:n värms upp till rumstemperatur innan du använder den.
- Anslut aldrig några externa enheter till en påslagen apparat. Stäng inte bara av TV:n utan även enheterna som ska anslutas! Anslut TV-kontakten i vägguttaget efter att du anslutit några externa enheter och antennen!
- Se alltid till att det finns fri åtkomst till TV:ns stickkontakt.
- Apparaten är inte avsedd för användning på en arbetsplats utrustad med bildskärmar.
- Systematisk användning av hörlurar på hög volym kan leda till irreversibla hörselskador.
- Försäkra dig om miljövänligt avyttrande av denna apparat och alla komponenter inklusive batterier. Om du är osäker, kontakta din lokala myndighet för information om återvinning.
- När du installerar apparaten, glöm inte att möbelytor är behandlade med olika lacker, plast, etc. eller kan de vara polerade. Kemikalier som ingår i dessa produkter kan reagera med TV-stativet. Detta kan resultera i att bitar av materialet klirrar fast på möbelytan, vilket är svårt att ta bort, om inte omöjligt.
- Skärmen på din TV har framställts under högsta kvalitetsomständigheter och kontrollerades i detalj för felaktiga pixlar flera gånger. På grund av de tekniska egenskaperna under tillverkningsprocessen är det inte möjligt att eliminera förekomsten av ett litet antal felaktiga punkter på skärmen (även med maximal omsorg under produktionen). Dessa felaktiga pixlar anses inte som fel enligt garantivillkoren, om deras omfattning inte är större än de gränser som definieras av DIN-normen.
- Utrustning som är kopplad till skyddsjord via jordat vägguttag och/eller via annan utrustning och samtidigt är kopplad till kabel-TV nät kan i vissa fall medföra risk för brand. För att undvika detta skall vid anslutning av utrustningen till kabel-TV nät galvanisk isolator finnas mellan utrustningen och kabel-TV nätet.
- Tillverkaren kan inte hållas ansvarig för kundservicerelaterade problem relaterade till innehåll eller tjänster från tredje part. Frågor, kommentarer eller servicerelaterade frågor avseende innehåll eller tjänst från tredje part ska göras direkt till den tillämpliga innehålls- eller tjänsteleverantören.
- Det finns en mängd orsaker till varför du kanske inte kan få tillgång till innehåll eller tjänster från enheten som inte är relaterade till enheten i sig själv, innefattande, men inte begränsat till, strömavbrott, Internetanslutningen, eller underlåtenhet att konfigurera enheten på rätt sätt. UMC Poland, dess chefer, tjänstemän, anställda, agenter, entreprenörer och

dotterbolag skall inte hållas ansvariga gentemot dig eller någon tredje part i förhållande till sådana fel eller underhållsstopp, oavsett orsak eller om det hade kunnat undvikas eller inte.

- Allt innehåll från tredje part eller tjänster som är tillgängliga via den här enheten levereras till dig på en "i befintligt skick" och "vid tillgänglighet" basis och UMC Poland och dess dotterbolag lämnar inga garantier eller utfästelser av något slag till dig, vare sig uttryckligen eller underförstått, inklusive, utan begränsning, garantier om säljbarhet, icke-intrång, lämplighet för ett visst ändamål eller garantier om lämplighet, tillgänglighet, exakthet, fullständighet, säkerhet, titel, användbarhet, brist på försumlighet eller felfri eller oavbruten drift eller användning av innehåll eller tjänster som tillhandahålls till dig eller att innehållet eller tjänsterna kommer att uppfylla dina krav eller förväntningar.
- "UMC Poland" är inte en agent och tar inget ansvar för handlingar eller försammler av tredje parts innehåll eller tjänsteleverantörer, eller någon aspekt av innehållet eller tjänster i samband med sådana tredje parts leverantörer.
- Under inga omständigheter kommer "UMC Poland och/eller dess dotterbolag att vara ansvariga gentemot dig eller någon tredje part för några direkta, indirekta, särskilda, tillfälliga, straffbara, följskador eller andra skador, om teorin om ansvar grundas på kontrakt, kränkning, försumlighet, garantibrott, strikt ansvar eller på annat sätt och om UMC Poland och/eller dess dotterbolag eller inte har informerats om risken för sådana skador.
- Denna produkt innehåller teknik som omfattas av vissa immateriella rättigheter vilka innehas av Microsoft. Användning eller distribution av denna teknik utanför denna produkt utan motsvarande licens(er) från Microsoft är förbjuden.**
- Innehållsägare använder Microsoft PlayReady™-åtkomsteknik för att skydda sina immateriella rättigheter, inklusive upphovsrättskyddat innehåll. Denna enhet använder PlayReady-teknik för åtkomst till PlayReady-skyddat innehåll och/eller WMDRM-skyddat innehåll. Om enheten inte kan begränsa användning av innehåll ordentligt, kan innehållsägare kräva att Microsoft återkallar enhetens kapacitet för behandling av PlayReady-skyddat innehåll. Återkallande ska inte påverka oskyddat innehåll eller innehåll skyddat av andra tekniker för innehållsåtkomst. Innehållsägare kan kräva att du uppgraderar till PlayReady för åtkomst av deras innehåll. Om du inte uppgraderar får du inte åtkomst till innehåll för vilket uppgradering krävs.**

## Viktig information om användning av TV-spel, datorer, bildtexter och andra fasta bildvisningar.

- Utökad användning av fasta bildprogrammaterial kan orsaka en permanent "skuggbild" på LCD-skärmen (detta benämns ibland felaktigt som "bränna fast på skärmen"). Denna skuggbild syns sedan permanent på skärmen i bakgrunden. Det är irreversibla skador. Du kan undvika sådan skada genom att följa instruktionerna nedan:
- Minska ljusstyrka/kontrastinställningen till en minimal visningsnivå.
- Visa inte fasta bilder under en lång tid. Undvik visande av:
  - » Text-TV-tid och diagram,
  - » TV/DVD-menyer, exempelvis DVD-innehåll,
  - » I "Paus"-läge (håll kvar): Använd inte detta läge under en längre tid, t.ex. när du tittar på en DVD eller video.
  - » Stäng av apparaten om du inte använder den.

## Batterier

- Observera rätt polaritet när du sätter i batterierna.
- Utsätt inte batterierna för höga temperaturer och placera dem inte på platser där temperaturen kan öka snabbt, t.ex. nära elden eller i direkt solsken.
- Utsätt inte batterierna för överdriven strålningsvärme, kasta dem inte i elden, ta inte isär dem och försök inte att ladda icke-laddningsbara batterier. De kan läcka eller explodera.
  - » Använd aldrig olika batterier tillsammans eller blanda nya och gamla.
  - » Kassera batterier på ett miljövänligt sätt.



Cd

» De flesta EU-länder reglerar kasseringen av batterier enligt lag.

## VARNING:

- KLASS 1 LASERPRODUKT (Gäller modeller med inbyggd DVD-spelare). Denna varningsetikett är placerad på baksidan av enheten.
- DENNA ENHET ÄR EN KLASS 1 LASERPRODUKT. DENNA ENHET ANVÄNDER EN SYNLIG LASERSTRÅLE SOM KAN ORSAKA FARLIG STRÅLNING OM DEN RIKTAS. SE TILL ATT ANVÄNDA SPELAREN KORREKT ENLIGT ANVISNINGARNA.
- NÄR DENNA ENHET ÄR ANSLUTEN TILL VÄGGUTTAGET, PLACERA INTE DINA ÖGON NÄRA ÖPPNINGARNA FÖR ATT TITTA IN I DENNA ENHET.
- ANVÄNDNING AV KONTROLLER ELLER JUSTERINGAR ELLER PROCEDURER ANDRA ÄN DE SOM ANGES HÄRI KAN RESULTERA I UTSÄTTANDE FÖR FARLIG STRÅLNING.
- ÖPPNA INGA HÖLJEN OCH REPARERA INTE SJÄLV. ÖVERLÅT SERVICEARBETEN ÅT KVALIFICERAD PERSONAL.

## Kassering

- Kasta inte den här TV:n som sorterat hushållsavfall. Returnera den till en uppsamlingsplats för återvinning av WEEE. Genom att göra så, hjälper du till att spara resurser och skydda miljön. Kontakta din återförsäljare eller lokala myndigheter för mer information.



## CE-förklaring:

- Härmed, förklarar UMC Poland Sp. z o.o. att denna LED-TV är i enlighet med de väsentliga kraven och övriga relevanta bestämmelser som framgår av RED direktiv 2014/53/EU. [www.sharpconsumer.eu/documents-of-conformity/](http://www.sharpconsumer.eu/documents-of-conformity/). Hela texten för EU-försäkringen om överensstämmelse finns tillgänglig via länken [www.sharpconsumer.eu/documents-of-conformity/](http://www.sharpconsumer.eu/documents-of-conformity/) Den här utrustningen kan användas i alla EU-länder. Wi-Fi max utstrålkraft: 100mW at 2,412 GHz – 2,472 GHz



## Vad som finns i förpackningen

### Leverans av denna TV innehåller följande delar:

- |                       |  |
|-----------------------|--|
| • 1x TV               | • 1x TV-stativ installationspaket                                |
| • 1x Fjärrkontroll    | • 2x AAA-batterier   |
| • 1x Snabbstartsguide | • 1 x väggmonteringsset (4 x M6x35 skruv) och 4 x plastdistans)* |

\* - Endast tillgängligt för 50" modeller

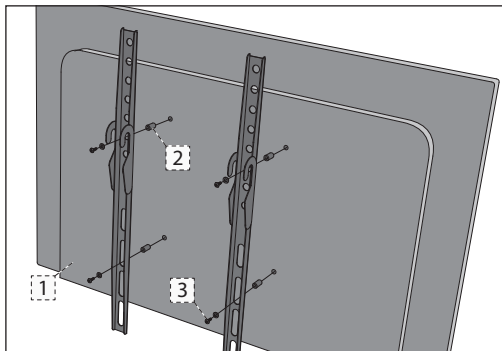
## Montera stativet

Följ instruktionerna i Teknikbroschüren, belägen i tillbehörspåsen.

## Väggmontering av TV:n

1. Ta bort de fyra skruvarna som medföljer i väggmonteringshålen.
2. Väggmonteringen kan nu lätt fästas till monteringshålen på baksidan av TV:n.
3. Installera väggmonteringskonsolen på TV:n som rekommenderas av konsolens tillverkare.

När du fäster väggmonteringsfästena på 50" modellen, istället för skruvarna i TV:ns väggmonteringshåll, rekommenderar vi användning av de längre skruvarna och distanserna i tillbehörspaketet. Vänligen placera distanserna i TV:ns väggmonteringshåll, placerade på baksidan av TV:n, placera sedan väggfästena på dem. Montera fästena och distanserna på TV:n med de längre skruvarna som visas nedan:



1. TV
2. DISTANS
3. SKRUV

OBS: TV och väggfästetyp som visas i diagrammet är endast i illustrerande syfte.

## Anslutningar

För att ansluta externa enheter se sista sidan i denna manual.

## Komma igång - första inställningarna

1. Med hjälp av RF-kabeln, anslut din TV till vägguttaget för antennen.

2. För att ansluta till Internet med en kabelanslutning, anslut en Cat 5/ Ethernet-kabel (medföljer ej) från TV:n till ditt bredbandsmodem/ router.
3. Sätt i de medföljande batterierna i fjärrkontrollen.
4. Anslut strömkabeln till eluttaget.
5. Fortsätt nu med nästa steg för att konfigurera TV:n.
6. När du slår på TV:n, kommer du att välkomnas av menyn **Första installationen**. Om den inte visas, tryck på [MENU] på fjärrkontrollen och sedan 8-8-8 och menyn kommer att visas. Om du vill göra ändringar i någon av standardinställningarna använder du bläddringsknapparna ▲/▼/◀/▶. För att lämna denna meny när som helst, tryck på knappen [EXIT].
7. **Ställ in önskade inställningar på skärmen FÖRSTAGÅNGSINSTALLATION.**

## TV-knappar\*

**Vol+** Volym upp och meny höger

**Vol-** Volym ner och meny vänster

**CH+** Program/kanal upp och meny upp

**CH-** Program/kanal ner och meny ner

**MENU** Visar Meny/OSD

**SOURCE** Visar ingångskällmenyn

**STANDBY** Standby Slå På/Av

\* - **för TV med knappar**

## TV-kontrollspak\*

TV-kontrollspaken finns i det nedre vänstra hörnet av TV:ns baksida. Du kan använda den i stället för fjärrkontrollen för att styra de flesta funktionerna i din TV.

**När TV:n är i standby-läge:**

- kort tryck på kontrollspaken - Ström på

**Medan du tittar på TV:**

- HÖGER/VÄNSTER - volym upp/volym ner
- UPP/NED - byter kanal upp/ned
- kort tryck - visar menyn
- långt tryck - Standby Ström på

**Medan du är i menyn:**

- HÖGER/VÄNSTER/UPP/NED - navigering av markören i menyer på skärmen
- kort tryck - OK/Bekräfta markerat objekt
- långt tryck - Tillbaka till föregående meny

\* - **för TV med kontrollspak**

## Att välja läge ingång/källa

Om du vill växla mellan de olika ingångarna/anslutningarna.

**a) Med hjälp av knapparna på fjärrkontrollen:**

1. Tryck på [SOURCE/□] - Källmenyn visas.
2. Tryck på [◀] eller [▶] för att välja den ingång du vill ha.
3. Tryck på [OK].

**b1) Med hjälp av knapparna\* på TV-apparaten:**

1. Tryck på [SOURCE].
2. Bläddra upp/ner med knapparna VOL+/VOL- till den ingång/källa du vill ha.
3. Tryck på [SOURCE] för att ändra ingång/källa till den valda.

**b2) Att använda TV-kontrollspaken\*:**

1. Tryck kort på kontrollspaken för att öppna menyn.

2. Tryck kontrollspaken nedåt och navigera markören till menyn KÅLLOR.
3. Tryck kort på kontrollspaken för att öppna menyn KÅLLOR.
4. med kontrollspaken, välj den ingång/källa du önskar.
5. Genom att kort trycka på kontrollspaken ändrar du ingång/källa till den du valt.

\* - **valfritt**

## TV-meny navigering

För att få tillgång till den här menyn tryck på knappen [MENU] på fjärrkontrollen. För att gå in i en meny tryck på [OK]. Om du vill göra ändringar i någon av standardinställningarna använder du bläddringsknapparna (▲/▼/◀/▶). För att bekräfta några inställningar tryck på knappen [OK]. För att lämna denna meny när som helst, tryck på knappen [EXIT].

## Elektronisk instruktionsmanual

För att starta online-bruksanvisningen, tryck på knappen [MENU] och välj sedan **Inställningar > Om TV > Hjälpinformation > Visa online-bruksanvisning**.

## Fjärrkontroll

Se på skärmanualen i TV:n.

## Vigtige sikkerhedsanvisninger



Læs disse sikkerhedsanvisninger og respekter følgende advarsler, før apparatet betjenes:



- Fjernsynsapparater med skærm på 43" eller større skal bæres og transporteres af mindst to personer.
- Dette TV indeholder ingen dele, der kan repareres af brugeren. I tilfælde af en fejl, skal du kontakte producenten eller et autoriseret serviceværksted. Kontakt med visse dele inde i TV'et kan bringe dit liv i fare. Garantien omfatter ikke fejl forårsaget af reparationer, der er udført af uautoriserede tredjeparter.
- Undlad at afmontere den bageste del af apparatet.
- Dette apparat er designet til modtagelse og gengivelse af video- og lydsignaler. Enhver anden brug er strengt forbudt.
- Udsæt ikke TV'et for dryppende eller stænkende væsker.
- For at afbryde TV'et fra lysnettet kan du trække stikket ud af stikkontakten.
- Hvis netledningen er beskadiget, skal den udskiftes af producenten, en serviceagent eller en tilsvarende kvalificeret fagmand for at undgå enhver risiko.
- Den anbefalede afstand til at se HD-TV er ca. fem gange længere end skærmens højde. Refleks på skærmen fra andre lyskilder kan gøre billedkvaliteten dårligere.
- Kontroller, at TV'et har tilstrækkelig ventilation og ikke er tæt på andre apparater og andre møbler.
- Monér produktet mindst 5 cm fra væggen til ventilation.
- Sørg for, at ventilationsåbningerne er fri fra elementer såsom aviser, duge, gardiner osv.
- TV'et er designet til brug i et tempereret klima.
- TV'et er designet udelukkende til brug på et tørt sted. Når TV bruges udendørs, skal du sørge for, at det er beskyttet mod fugt (regn, vandstænk). Må aldrig udsættes for fugt.
- Placer ikke genstande, beholdere indeholdende væske såsom vaser etc. på TV'et. Disse beholdere kan væltes, hvilket ville bringe elektrisk sikkerhed i fare. Anbring TV'et udelukkende på en flad og stabil overflade. Placer ikke genstande såsom aviser eller tæpper osv. på eller under TV'et.
- Sørg for, at apparatet ikke står på nogen strømkabler, eftersom de kan blive beskadiget. Mobiltelefoner og andre enheder, som f. eks. WLAN-adaptre, overvågningsskærme og trådløs signaltransmission osv. kan medføre elektromagnetisk interferens, og de bør ikke placeres i nærheden af apparatet.
- Placer ikke apparatet nær varmelementer eller på et sted med direkte sollys, da det har en negativ effekt på afkøling af apparatet. Opsamlet varme er farligt og kan drastisk reducere apparatets levetid. For at sikre sikkerheden, skal du bede en kvalificeret person om at fjerne snavs fra apparatet.
- Prøv at undgå beskadigelse af strømkablet eller netadapter. Apparatet kan kun forbindes med det medfølgende netkabel/ adapter.
- Uvejrer er farligt for alle elektriske apparater. Hvis netledningen eller antennekabler er ramt af lyn, kan apparatet beskadiges, selv om det er slukket. Tag alle apparatets kabler og forbindelser ud før et uvejr.

- Brug en fugtig, blød klud til rengøring af skærmen Brug kun rent vand, aldrig rengøringsmidler og brug i intet tilfælde opløsningsmidler.
- Placer TV'et tæt på væggen for at undgå, at det vælter, hvis der skubbes til det.
- ADVARSEL - Anbring aldrig et TV på et ustabilt sted. Et TV kan falde ned og forårsage alvorlig personskade eller død. Mange skader, især på børn, kan undgås ved at tage enkle forholdsregler, såsom:
  - Brug skabe, hylder, fødder, som er anbefalet af TV-producenten.
  - Må kun møbler, der sikret kan understøtte TV'et.
  - Sørg for, at TV'et ikke hænger ud over kanten på det møbel, det står på.
  - Placer ikke tv'et højt oppe på møbler (f. eks. Skabe eller reoler) uden at fastgøre både møblet og TV'et til en egnet støtte.
  - Placer ikke TV'et på stof eller andre materialer, der kan findes mellem TV'et og underlaget.
- Lær børnene om farene ved at klatre op på møbler for at nå TV'et eller dets fjernbetjening..
- Sørg for, at børn ikke kravler eller hænger på TV'et.
- Hvis du beholder dit gamle TV og placerer det et nyt sted, så gælder de samme betragtninger som ovenfor.
- Instruktionerne, der er vist nedenfor, er en mere sikker måde at opstille TV'et ved at fastgøre det til væggen og dermed undgå, at det falder fremover og forårsager kvæstelser og beskadigelser
- Du har brug for en fastgørelseswire til denne type montering
  - A) Ved hjælp af en eller begge de øverste vægmonteringshuller og -skruer (skruerne sidder allerede i vægmonteringshullerne) skal du fastgøre den ene ende af fastgørelseswiren til TV'et.
  - B) Fastgør den anden ende af fastgørelseswiren til væggen.
- Softwaren på dit TV og OSD-layoutet kan ændres under varsel.
- Bemærk: I tilfælde af elektrostatiske udladninger (ESD) kan apparatet vise en forkert funktion. I sådanne tilfælde skal du slukke TV'et og tænde det igen. TV'et vil virke normalt.

### Advarsel:

- Tænd ikke TV'et lige efter udpakning. Vent, indtil TV'et varmes op til stuetemperatur, før brug.
- Du må aldrig tilslutte eksterne enheder til en enhed, der er tændt. Sluk ikke kun TV'et, men også de enheder, der tilsluttes! Sæt TV-stikket i stikkontakten efter tilslutning af eksterne enheder og antenne!
- Sørg altid for, at der er fri adgang til TV'ets stik på strømforsyningen.
- Apparatet er ikke beregnet til brug på en arbejdsplads monteret med skærm.
- Systematisk brug af hovedtelefoner ved høj lydstyrke kan medføre uoprettelige høreskader.
- Sørg for miljørigtig bortskaffelse af apparatet og alle komponenter inkl. batterierne. Kontakt i tvivlstilfælde venligst din lokale myndighed for yderligere oplysninger om genbrug.
- Under installationen af apparatet må vi ikke glemme, at møbeloverflader er behandlet med lak, plast osv., eller de kan være polerede. Kemikalierne, som findes i disse produkter, kan reagere med TV-monteringen. Dette kan resultere i småbidder af materiale sidder fast i møblets overflade, som er vanskelige at fjerne, hvis ikke umulige.
- Skærmen på dit TV er produceret under top kvalitetsbetingelser og er flere gange blevet kontrolleret i detaljer for defekte pixels. På grund af de teknologiske egenskaber i produktionsprocessen er det ikke muligt at fjerne forekomsten af et lille antal defekte punkter på skærmen (selv med størst mulig omhu i produktionen). Disse defekte pixels betragtes ikke som fejl med hensyn til garantibetingelserne, hvis omfanget ikke er større end grænserne, der er defineret ved DIN norm.
- Producenten kan ikke gøres ansvarlig, eller være ansvarlig for kundeservice-relaterede spørgsmål vedrørende tredjeparts indhold eller tjenesteydelser. Eventuelle spørgsmål, kommentarer eller service-relaterede forespørgsler vedrørende tredjeparts indhold eller serviceydelser skal forelægges direkte til den relevante indholds- eller tjenesteydbyder.
- Der er en række grunde til, at du kan være ude af stand til at få adgang til indhold eller tjenesteydelser fra enheden uafhængig af selve enheden, herunder, men ikke begrænset til, strømsvigt, internetforbindelse, eller fejl ved konfigurationen af din enhed. UMC Poland, dets direktører, chefer, medarbejdere, agenter, underleverandører og associerede

selskaber hæfter ikke over for dig eller nogen tredjepart i forbindelse med sådanne fejl eller strømudfald, uanset årsag eller om det kunne have været undgået.

- Alt tredjepartsindhold eller tjenesteydelser tilgængelige via denne enhed er til rådighed på en "som den er og forefindes" og "som til rådighed" -basis og UMC Poland og dets datterselskaber fremsætter ingen garanti eller repræsentation af nogen art over for dig, hverken udtrykt eller underforstået, herunder, men uden begrænsning, garantier for salgbarhed, ikke-krænkelse, egnethed til et bestemt formål eller nogen garanti for egnethed, tilgængelighed, nøjagtighed, fuldstændighed, sikkerhed, titel, anvendelighed, manglende uagtsomhed eller fri for fejl eller kontinuerlig drift eller brug af indhold eller tjenesteydelser, der er leveret til dig, eller at indholdet eller tjenesteydelserne vil opfylde dine krav eller forventninger.
- 'UMC Poland' er ikke en agent for og påtager sig intet ansvar for handlinger eller udeladelser af tredjeparts indhold eller tjenesteydere, eller noget andet aspekt af indholdet eller tjenesteydelser vedrørende sådanne tredjepartsleverandører.
- Under ingen omstændigheder vil 'UMC Poland' og/eller dets associerede selskaber være ansvarlig over for dig eller nogen tredjepart for nogen direkte, indirekte, særlige, hændelige, straffende følgeskader eller andre skader, uanset om teorien om ansvar er baseret på kontrakt, skadevoldende handling, uagtsomhed, brud på garanti, objektivt ansvar eller på anden måde eller ej, og uanset om UMC Poland og/eller dets associerede selskaber er blevet underrettet om muligheden for sådanne skader.
- **Dette produkt indeholder teknologi, der er omfattet af visse intellektuelle ejendomsrettigheder tilhørende Microsoft. Brug eller distribution af denne teknologi uden for dette produkt er forbudt uden fornøden(ne) licens(er) fra Microsoft.**
- **Indholdsejere anvender Microsoft PlayReady™ adgangsteknologi til indhold til at beskytte deres immaterielle rettigheder, herunder ophavsretsbeskyttet indhold. Denne enhed anvender PlayReady-teknologi til at få adgang til PlayReady-beskyttet indhold og/eller WMDRM-beskyttet indhold. Hvis enheden ikke på passende vis kan håndhæve restriktionerne for brugen af indholdet, kan indholdsejerne kræve, at Microsoft ophæver enhedens evne til at forbruge PlayReady-beskyttet indhold. Tilbagekaldelsen påvirker ikke ubeskyttet indhold eller indhold beskyttet af andre adgangsteknologier til indhold. Indholdsejerne kræver muligvis, at du opgraderer PlayReady for at få adgang til deres indhold. Hvis du afviser en opgradering, vil du ikke kunne få adgang til indhold, som kræver opgraderingen.**

## Vigtige oplysninger vedrørende brug af videospil, computere, billedtekster og andre visninger af faste billeder.

- Den udvidede brug af fastbillede program materiale kan forårsage et permanent "skygge billede" på LCD-skærmen (dette er undertiden fejlagtigt benævnt "burnout af skærmen"). Denne skygge billede er herefter permanent synligt på skærmen i baggrunden. Det er uoprettelig skade. Du kan undgå skader ved at følge nedenstående instruktioner:
- Reducer lysstyrke/kontrast indstillingen til et minimum visningsniveau.
- Vis ikke det faste billede over en lang periode. Undgå visning af:
  - » Teletekst tid og diagrammer.
  - » TV/DVD menu, fx. DVD-indhold.
  - » "Pause" tilstand (hold): Brug ikke denne tilstand i længere tid, f. eks. når du ser en DVD eller en video.
  - » Sluk apparatet, når du ikke bruger det.

## Batterier

- Overhold den korrekte polaritet ved isætning af batterier.
- Batterier må ikke udsættes for høje temperaturer, og undlad at placere dem på steder, hvor temperaturen kan stige hurtigt, f. eks. i nærheden af åben ild eller direkte sollys.
- Udsæt ikke batterierne for kraftig strålevarme, kast dem ikke ind i ilden, smid dem ikke ind i ilden, prøv



Cd

ikke at skille dem ad, og forsøg ikke at genoplade ikke-genopladelige batterier. De kan lække eller eksplodere.

- » Brug aldrig forskellige batterier sammen eller bland nye og gamle.
- » Bortskaf batterierne på en miljøvenlig måde.
- » De fleste EU-lande regulerer bortskaffelse af batterier ved lov.

## FORSIGTIG:

- KLASSE 1 LASER-PRODUKT (gælder for modeller med indbygget DVD-afspiller). Dette advarselsskilt er placeret på enhedens bagpanel.
- DENNE ENHED ER ET KLASSE 1 LASER-PRODUKT. DENNE ENHED ANVENDER EN SYNLIG LASERSTRÅLE, SOM KAN MEDFØRE FARLIG BESTRÅLING, HVIS DEN RETTES MOD EN GENSTAND ELLER PERSON. SØRG FOR AT BETJENE AFSPILLEREN KORREKT, SOM ANVIST.
- NÅR ENHEDEN ER SAT I EN STIKKONTAKT MÅ DU IKKE KIGGE I ÅBNINGRNE FOR AT SE INDERSIDEN AF ENHEDEN.
- ANVENDELSE AF KONTROLFUNKTIONER ELLER JUSTERINGER ELLER YDEEVNE UD OVER DEM, DER ER SPECIFICERET HERI KAN RESULTERE I EKSPONERING FOR FARLIG STRÅLING.
- ÅBN IKKE DÆKSLER OG REPARER IKKE ENHEDEN SELV. SERVICERING SKAL UDFØRES AF KVALIFICERET PERSONALE.

## Bortskaffelse

- Bortskaf ikke dette TV som usorteret husholdningsaffald. Aflever det til et udpeget indsamlingssted for genbrug af WEEE. De vil dermed bidrage til at spare på ressourcerne og beskytte miljøet. Kontakt din forhandler eller lokale myndigheder for at få yderligere oplysninger.



## CE-erklæring:

- UMC Poland Sp. z o.o. erklærer herved, at dette LED TV er i overensstemmelse med de væsentlige krav og andre relevante bestemmelser i RED-direktiv 2014/53/EU. [www.sharpconsumer.eu/documents-of-conformity/](http://www.sharpconsumer.eu/documents-of-conformity/) Den fulde ordlyd af EU-overensstemmelseserklæringen er tilgængelig ved at følge linket [www.sharpconsumer.eu/documents-of-conformity/](http://www.sharpconsumer.eu/documents-of-conformity/) Dette udstyr kan anvendes i alle EU-lande. Wi-Fi maks. sendeeffekt: 100 mW ved 2,412 GHz – 2,472 GHz

## Hvad er inkluderet i kassen

### Dette TV indeholder følgende dele:

- |                     |   |
|---------------------|---|
| • 1x TV             | • 1x TV-stativ installationspakke                                       |
| • 1x fjernbetjening | • 1x Kvikstartsvejledning   |
| • 2x AAA batterier  | • 1 x vægbeslagssæt (4 x M6 x 35 skruer og 4 x plastikafstandsstykker)* |

\* - Kun tilgængelig for 50" modeller

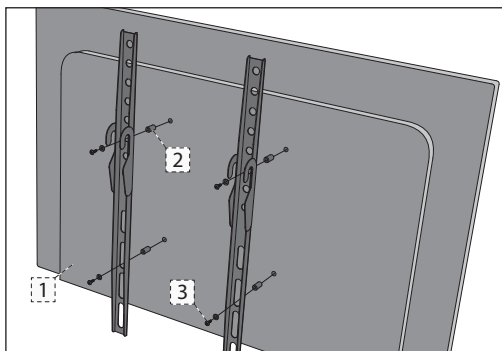
## Montering af stativet

Følg instruktionerne i den tekniske brochure, der er anbragt i posen med tilbehør.

## Vægmontering af TV

1. Fjern de fire skruer, som sidder i hullerne i vægmonteringen.
2. Vægmonteringen kan nu nemt monteres i monteringshullerne på bagsiden af TV'et.
3. Monter vægmonteringsbeslaget på TV'et som anbefalet af beslagproducenten.

Ved montering af vægbeslag til 50" modellen, anbefaler vi, i stedet for skrueerne i TV-vægmonteringshullerne, at bruge længere skruer og afstandsstykker, som ligger i tilbehørspakken. Anbring afstandsstykkerne i TV-vægmonteringshullerne, som findes på bagsiden af TV'et, og sæt derefter vægbeslagene fast i dem. Monter beslag og afstandsstykker på TV'et med længere skruer, som vist nedenfor:



1. TV
2. AFSTANDSSTYKKE
3. SKRUE

**BEMÆRK:** TV'et og vægbeslagstypen, der er vist i diagrammet, er kun til illustration.

## Tilslutninger

Se sidste side i denne instruktionsbog, når du tilslutter eksterne enheder.

## Introduktion - indledende opsætning

1. Ved hjælp af RF-kablet skal du tilslutte TV'et til TV-antennestikket i væggen.
2. For tilslutning til internettet via en kabelbaseret forbindelse anvendes et Cat 5/Ethernet-kabel (medfølger ikke) fra TV til din bredbåndsmodem/router.
3. Indsæt de medfølgende batterier i fjernbetjeningen.
4. Tilslut strømkablet til en stikkontakt.
5. Fortsæt nu med de næste trin for at konfigurere TV'et.
6. Når TV'et tændes, bliver du budt velkommen af **Førstegangsinstallationsmenuen**. Hvis det ikke vises på fjernbetjeningen, skal du trykke på [MENU] og derefter 8-8-8 og menuen vil blive vist. Hvis du ønsker at foretage ændringer til nogen af standardindstillingerne, skal du bruge rulle **▲/▼/◀/▶** knapperne. For at forlade denne menu skal du trykke på knappen [EXIT].
7. **Angiv de ønskede indstillinger på skærmen: FØRSTEGANGSINSTALLATION**

## TV-knapper\*

**Vol+** Lydstyrke op og menu til højre

**Vol-** Lydstyrke ned og menu til venstre

**CH+** Program/Kanal op og menu op

**CH-** Program/Kanal ned og menu ned

**MENU** Viser Menu/OSD

**SOURCE** Viser menuen for inputkilde

**STANDBY** Standby Tænd/Sluk

\* - *tilvalg, kun til TV med TV-knapper*

## TV-styrepejnd\*

TV-styrepejnd findes i nederste venstre hjørne på bagsiden af TV'et. Du kan bruge den i stedet for fjernbetjeningen til at styre de fleste funktioner på dit TV.

**Mens TV'et er i standby-tilstand:**

- et kort tryk på styrepejnden - Tænder TV'et

**Mens du ser TV:**

- HØJRE/VENSTRE - lydstyrke op/lydstyrke ned
- OP/NED - skifter kanal op/ned
- et kort tryk - Viser menuen
- Et langt tryk - sætter TV'et i stand-by tilstand O

**Mens du er i Menuen:**

- HØJRE/VENSTRE/OP/NED - navigation af markøren i menuer på skærmen
- et kort tryk - OK/Be kræft det valgte punkt
- et langt tryk - tilbage til den forrige menu

\* - *til TV med kontrolstav*

## Vælg tilstanden Input/Kilde

For at skifte mellem de forskellige input/forbindelser.

**a) Brug af knapperne på fjernbetjeningen:**

1. Tryk på [SOURCE/□] - Kildemenuen bliver vist.
2. Tryk på [◀] eller [▶] for at vælge det ønskede input.
3. Tryk på [OK].

**b1) Brug af knapperne\* på TV'et:**

1. Tryk [SOURCE].

2. Rul op/ned vha. VOL+/VOL- knapperne til den input/kilde, du ønsker.
3. Tryk på knappen [SOURCE] for at ændre input/kilde til den valgte.

**b2) Ved hjælp af TV-styrepinden\*:**

1. Et kort tryk på styrepinden for at gå til Menuen.
2. Tryk styrepinden ned og flyt markøren til menuen KILDER.
3. Et kort tryk på styrepinden for at åbne menuen KILDER.
4. Vælg med styrepinden den input/kilde, du har brug for.
5. Med et kort tryk på styrepinden skifter du input/kilde til den, du valgte.

\* - **Valgmuligheder**

## TV-menu-navigation

For at få adgang til denne menu skal du trykke på [MENU] knappen på fjernbetjeningen. For at åbne en menu skal du trykke på [OK]. Hvis du ønsker at foretage ændringer til nogen af standardindstillingerne, skal du bruge rulle ▲/▼/◀/▶ knapperne. For at bekræfte alle indstillinger skal du trykke på [OK]. For at forlade denne menu skal du trykke på knappen [EXIT].

## Elektronisk brugervejledning

**For at starte Online Manual skal du trykke på [MENU] -knappen og derefter vælge Indstillinger>Om TV>Hjælpeoplysninger>Se Online Manual.**

## Fjernbetjening

Se i vejledningen på TV'ets skærm

## Tärkeitä turvallisuusohjeita



### Lue turvallisuusohjeet ennen laitteen käyttöä ja noudata niitä:



- Jos televisiovastaanottimen ruutu on 43" tai suurempi, se on nostettava ja kannettava vähintään kahden ihmisen voimin.
- Tämä TV ei sisällä mitään osia, joita käyttäjä voisi korjata. Jos laitteessa esiintyy toimintahäiriö, ota yhteyttä valmistajaan tai valtuutettuun huoltoliikkeeseen. Tiettyjen osien koskettaminen laitteen sisällä saattaa olla hengenvaarallista. Takuu ei kata valtuuttamattomien kolmansien osapuolten suorittamista korjauksista aiheutuneita vahinkoja.
- Älä irrota laitteen takaosaa.
- Tämä laite on tarkoitettu video- ja äänisignaalien vastaanottamista ja toistoa varten. Käyttö muuhun tarkoitukseen on ehdottomasti kielletty.
- Pidä televisio etäällä valumista tai roiskeista.
- Irrottaaksesi TV:n virtalähteen, irrota virtapistoke pistorasiasta.
- Jos virtajohto on vaurioitunut, valmistajan, sen huoltoedustajan tai Sharpin valtuuttaman huoltokeskuksen tai vastaavan pätevän henkilön on vaihdettava se vaaran välttämiseksi.
- HD TV:n suositeltu katseluetäisyys on noin viisi kertaa pidempi kuin ruudun korkeuden mitta. Muista valonlähteistä tulevat heijastukset voivat heikentää kuvan laatua.
- Varmista, että televisiossa on riittävä tuuletus eikä se ole liian lähellä muita laitteita tai huonekaluja.
- Asenna tuote vähintään 5 cm seinästä riittävän tuuletuksen varmistamiseksi.
- Varmista, että esim. sanomalehdet, pöytäliinat tai verhot eivät estä laitteen tuuletusta.
- Televisio on suunniteltu käytettäväksi lauhkeassa ilmastossa.
- Televisio on suunniteltu käytettäväksi yksinomaan lauhkeassa ilmastossa. Kun televisiota käytetään ukkona, varmista, että se on suojattu kosteudelta (sade, roiskekuva vesi). Älä altista kosteudelle.
- Älä laita mitään esineitä tai nesteillä täytettyjä astioita, kuten maljakoita TV:n päälle. Ne saattavat kaatua, mikä voi vaarantaa sähköturvallisuutta. Aseta televisio ainoastaan tasaiselle ja vakaille pinnolle. Älä aseta mitään esineitä, esim. sanomalehti tai peitteitä, jne. television alle tai päälle.
- Varmista, että laite ei ole virtakaapeleiden päällä ja mahdollisesti vahingoita niitä. Matkapuhelimet ja muut laitteet, kuten WLAN-adapterit, langattomat valvontakamerat, jne. saattavat aiheuttaa sähkömagneettisia häiriöitä eikä niitä pitäisi sijoittaa laitteiden lähelle.
- Älä altista televisiota suoralle auringonvalolle tai muun lämmönlähteen lähetyville, koska tämä häiritsee laitteen jäähdytystä. Lämmönvaraaja on vaarallinen, ja se voi lyhentää laitteen käyttöikää merkittävästi. Pyydä turvallisuusyhtiä pätevä henkilö poistamaan likaa laitteista.
- Yritä estää virtakaapelin tai virtasovittimen vahinkoja. Laite voidaan kytkeä toimitukseen kuuluvalla virtakaapelilla tai adapterilla.
- Myrskyt ovat vaarallisia kaikille sähkölaitteille. Jos salama iskee verkkovirtaan tai antennilankaan, laite saattaa vaurioitua, vaikka se olisi kytketty pois päältä. Kaikki laitteen kaapelit ja liittimet pitäisi irrottaa ennen myrskyä.
- Puhdista laitteen näyttö kostealla ja pehmeällä liinalla. Käytä aina vain puhdasta vettä ilman pesuainetta tai liuotimia.

- Sijoita televisio lähelle seinää, jottei se kaadu työnnettäessä.
- VAROITUS - Älä koskaan laita televisiota epävakaaalle pinnalle. Televisio saattaa pudota aiheuttaen vakavan henkilövahingon tai kuoleman. Monet vahingot, erityisesti lapsille sattuneet, voidaan välttää esimerkiksi:
  - Käyttämällä televisio valmistajan suosittelemia kaappeja tai telineitä.
  - Käyttämällä kalusteita, jotka tukevat televisiota turvallisesti.
  - Varmistamalla, ettei televisio ole aivan sitä tukevan kalusteen reunalla.
  - Välttämällä television asentamista korkeiden kalusteiden (esim. kaappien tai kirjahyllyjen) päälle ankkuroimatta sekä kalustetta että televisiota sopivaan tukeen.
  - Välttämällä television asentamista kankaan tai muun materiaalin päälle, joka on television ja sitä tukevan kalusteen välissä.
  - Opettamalla lapsille kalusteiden päälle kiipeämisen vaarat television tai sen hallintalaitteiden käyttämiseksi.
  - Varmistamalla, etteivät lapset kiipeä TV:n päälle eivätkä roiku siinä.
  - Jos jätät vanhan television käyttöösi toisessa huoneessa, huomioi nämä edellä mainitut asiat myös sen käytössä.
  - Seuraavissa ohjeissa neuvotaan turvallisempi television kiinnitystapa, seinään kiinnitys, joka estää myös laitteen kaatumisen ja sen aiheuttamat loukkaantumiset ja vauriot.
- Tämän tyyppiseen asennukseen tarvitsit kiinnityskaapelin
  - A) Käytä seinäkiinnitysreikiä sekä ruuveja (ruuvit ovat valmiina seinäkiinnitysreiässä) ja kiinnitä kiinnityskaapeleiden toinen pää televisioon.
  - B) Varmista tuotteen kiinnitys seinään kiinnityskaapelilla.
- Television ja OSD:n ohjelmisto voi muuttua ilman erillistä ilmoitusta.
- Huomautus: Jos sähköstöahtainen purkaus tapahtuu, laite saattaa toimia virheellisesti. Siinä tapauksessa sammuta TV ja käynnistä uudelleen. TV toimii normaalisti.

### Varoitus:

- Älä käytä TV:tä suoraan pakkauksesta ottamisen jälkeen. Odota, kunnes TV lämpiyä huoneenlämpöiseksi ennen käyttöä.
- Älä koskaan liitä mitään ulkoisia laitteita virroitettuun laitteeseen. Kytke television virran lisäksi myös liitettävät laitteet pois päältä! Kytke television pistoke seinäpistokkeeseen, kun olet liittännyt ulkoiset laitteet ja antennin!
- Varmista, että television päävirtapistoke on aina käytettävissä.
- Laitetta ei ole tarkoitettu käytettäväksi työpaikassa, jossa käytetään näyttöä.
- Kuulokkeiden jatkuva käyttö suurella äänenvoimakkuudella saattaa johtaa pysyvään kuulovaurioon.
- Varmista, että tämä laite ja sen osat, mukaan lukien paristot, hävitetään ympäristöystävällisellä tavalla. Jos epärit, pyydä ohjeita kierrätykseen ottamalla yhteyttä paikalliseen viranomaiseen.
- Kun asennat laitetta, älä unohda, että huonekalujen pinnat on käsitelty erilaisilla lakoina, muoveilla jne. tai ne saattavat olla kiillotettuja. Näiden tuotteiden kemikaalit saattavat reagoida television telineen kanssa. Tämä saattaa aiheuttaa materiaalin hiukkasten tarttumisen huonekalujen pintaan ja näiden poistaminen saattaa olla vaikeaa, ellei mahdotonta.
- Televisio näyttö on valmistettu huippuluokan olosuhteissa ja tarkastettu useita kertoja tarkasti viallisten kuvapisteidien löytämiseksi. Valmistusprosessin teknologian luonteesta johtuen vähäinen määrä näyttön virhekohtia jää havaitsematta (vaikka tuotannossa noudatettaisiin maksimaalista huolellisuutta). Näitä virheellisiä kuvapisteitä ei tulkita takuuohjejen mukaan virheiksi, jos niiden laajuus ei ylitä DIN-standardin raja-arvoja.
- Valmistajaa ei voi pitää vastuussa eikä velvollisena asiakaspalveluluengelmissa, jotka liittyvät kolmannen osapuolen sisältöön tai palveluihin. Kaikki kolmannen osapuolen sisältöön tai palveluun liittyvät kysymykset, kommentit ja palveluun liittyvät kyselyt tulee ohjata kyseisen sisällön tai palvelun tarjoajalle.
- Sisällön tai palvelun käyttösi laitteelta käsin saattaa estyä erilaisista laitteesta riippumattomista syistä, mukaan lukien rajoituksetta sähkökatkokset, Internet-yhteytät tai laitteen virheellinen konfigurointi. UMC Poland, sen johtajat, toimihenkilöt, työntekijät, edustajat, urakoitsijat tai osakkuusyhtiöt eivät ole velvollisia sinulle tai kenellekään kolmannelle

osapuolelle tällaisissa häiriötapauksissa tai huoltokatkoksissa riippumatta niiden syistä tai siitä, olisiko ne voitu välttää.

- Kaikki tämän laitteen kautta saatavana oleva sisältö tai palvelut tarjotaan "sellaisinaan" ja saatavuuden perusteella, eikä UMC Poland tai sen osakkuusyhtiöt anna sinulle minkäänlaisia takuita tai vakuuksia riippumatta siitä, ovatko ne nimenomaisia tai konkluudenttisia, mukaan lukien rajoituksetta kaikki takuut kaupakelpoisuudesta, loukkaamattomuudesta tai sopivuudesta tiettyyn tarkoitukseen. Et myöskään saa mitään takuita, jotka liittyvät sopivuuteen, saatavuuteen, virheettömyyteen, täydellisyyteen, turvallisuuteen, omistusoikeuteen, käytettävyyteen, huolellisuuteen tai sinulle tarjotun sisällön tai palveluiden virheettömyyden tai keskeytyksettömyyden käyttöön tai siihen, että sisältö tai palvelut vastaavat vaatimuksiasi tai odotuksiasi.
- UMC Poland ei ole kolmansien osapuolien edustaja eikä se hyväksy vastuuta kolmannen osapuolen sisällön tai palveluiden tarjoajien toimista tai puutteista eikä mistään tällaisiin kolmannen osapuolen tarjoajiin liittyvistä sisällöistä tai palveluista.
- UMC Poland tai sen osakkuusyhtiöt eivät ole missään tapauksessa vastuussa sinulle tai kenellekään kolmannelle osapuolelle mistään suorista, epäsuorista, erityisistä, satunnaisista, rangaistusluonteisista, seuraamuksellisista tai muista vahingoista riippumatta siitä, perustuuko vastuuteoria sopimukseen, oikeudenloukkaukseen, huolimattomuuteen, takuurikkomukseen, ankaraan vastuuseen tai muuhun, ja riippumatta siitä, onko UMC Polandille ja/tai sen osakkuusyhtiöille ilmoitettu tällaisten vahinkojen mahdollisuudesta.
- **Tämä tuote sisältää teknologiaa, joka on tiettyjen Microsoftin immateriaali oikeuksien alaista. Tämän teknologian käyttö tai jakelu tämän tuotteen ulkopuolelle on kielletty ilman Microsoftin asianmukaisia lisensejä.**
- **Sisällön omistajat käyttävät Microsoft PlayReady™ -sisällönsaatavuusteknologiaa suojatakseen immateriaali oikeuksiaan, mukaan lukien tekijänoikeuksilla suojattu sisältö. Tämä laite hyödyntää PlayReady-teknologiaa PlayReady-suojatun ja/tai WMDRM-suojatun sisällön saatavuuteen. Jos laite ei pysty asianmukaisesti valvomaan sisällön käytön rajoitteita, sisällön omistajat voivat vaatia Microsoftia kumoamaan laitteen kyvyn käyttää PlayReady-suojattua sisältöä. Kumoamisen ei pitäisi vaikuttaa suojaamattomaan sisältöön tai muiden sisällönsaatavuusteknologioiden suojaamaan materiaaliin. Sisällön omistajat voivat vaatia sinua päivittämään PlayReadyn voidaksesi käyttää heidän sisältöään. Jos hylkää päivityksen, et voi käyttää sisältöä, joka vaatii päivityksen.**

## Videopeleihin, tietokoneisiin, kuvateksteihin ja muihin pysähtyneisiin kuviin liittyviä tärkeitä tietoja.

- Pitkäaikainen pysähtyneen kuvan käyttö saattaa aiheuttaa pysyvän "varjokuvan" LCD-näytölle (tähän viitataan joskus virheellisesti "näytön polttamisena"). Tämä varjokuva on tämän jälkeen pysyvästi näkyvissä näytön taustalla. Se on pysyvä vaurio. Voit välttää tämän vaurion noudattamalla alla olevia ohjeita:
- Vähennä kirkkaus/kontrasti-asetusta minimitasolle.
- Älä näytä pysähtynyttä kuvaa pitkään. Vältä seuraavien näyttämistä:
  - » Tekstitelevision aika ja taulukot,
  - » TV:n/DVD:n valikko, esim. DVD-levyn sisältö,
  - » Taukotila (pito): Älä käytä tätä tilaa pitkään esim. katsellessasi DVD-levyä tai videota.
  - » Kytke laite pois päältä, kun et käytä sitä.

## Paristot

- Aseta paristot oikein päin.
- Älä altista paristoja korkeille lämpötiloille, äläkä aseta niitä paikkoihin, joissa lämpötila saattaa nousta nopeasti, esim. lähelle avotulta tai suoraan auringonvaloon.
- Älä altista paristoja kohtuuttomalle lämpösäteilylle, älä heitä niitä avotuleen, älä pura niitä, äläkä yritä



Cd

ladata paristoja, joita ei ole tarkoitettu ladattavaksi uudelleen. Ne voivat vuotaa tai räjähtää.

- » Älä koskaan käytä erilaisia paristoja yhdessä tai sekoita uusia ja vanhoja keskenään.
- » Hävitä paristot ympäristöystävällisellä tavalla.
- » Suurin osa EU-maista sääntelee paristojen hävitystä lailla.

## HUOMIO:

- LUOKAN 1 LASERTUOTE (Koskee malleja, joissa on sisäänrakennettu DVD-soitin). Tämä varoitusmerkki sijaitsee laitteen takapaneelissa.
- TÄMÄ LAITE ON LUOKAN 1 LASERTUOTE. TÄMÄ LAITE KÄYTTÄÄ NÄKYVÄÄ LASERSÄDETTÄ, JOKA VOI AIHEUTTAA VAARALLISTA ALTISTUMISTA SÄTEILYLLE KOHTI SUUNNATTAESSA. VARMISTA, ETTÄ KÄYTÄT SOITINTA OIKEIN OHJEIDEN MUKAAN.
- KUN TÄMÄ LAITE ON KYTKETTY PISTORASIAAN, ÄLÄ ASETA SILMIÄSI AUKKOJEN LÄHELLE KATSOAKSESI LAITTEEN SISÄÄN.
- MUIDEN KUIN TÄSSÄ MÄÄRITETTYJEN SÄÄDINTEN TAI SÄÄTÖJEN KÄYTTÖ TAI TOIMENPITEIDEN SUORITAMINEN SAATTAA JOHTAA VAARALLISELLE SÄTEILYLLE ALTISTUMISEEN.
- ÄLÄ AVAA KUORIA, ÄLÄKÄ KORJAA ITSE. ANNA PÄTEVÄN HENKILÖSTÖN HUOLTAA LAITE.

## Hävitys

- Tätä tuotetta ei saa hävittää lajittelemattomissa yhdyskuntajätteissä. Palauta se määrättyyn palautuspisteeseen sähkö- ja elektroniikkalaiteromun kierrättämiseksi. Näin autat säästämään resursseja ja suojelemaan ympäristöä. Pyydä lisätietoja ottamalla yhteyttä jälleenmyyjäsi tai paikallisiin viranomaisiin.



## CE-lausunto

- UMC Poland Sp. z o.o. ilmoittaa, että tämä LED-televisio vastaa RED 2014/53/EU-direktiivin olennaisia vaatimuksia ja muita asiaan liittyviä ehtoja. [www.sharpconsumer.eu/documents-of-conformity/](http://www.sharpconsumer.eu/documents-of-conformity/). EU-vaatimustenmukaisuusvakuutuksen koko teksti on saatavilla seuraavasta linkistä: [www.sharpconsumer.eu/documents-of-conformity/](http://www.sharpconsumer.eu/documents-of-conformity/) Tätä laitetta saa käyttää kaikissa EU-maissa. Wi-Fi:n maks. lähetinteho: 100 mW, 2,412 GHz – 2,472 GHz



## Pakkauksen sisältö

### Televisio toimitetaan seuraavien osien kanssa:

- |                   |  |
|-------------------|--|
| • 1x TV           | • 1x TV-telineen asennuspakkaus                                  |
| • 1x Kaukosäädin  | • 1x Pika-aloitusopas  |
| • 2x AAA-paristoa | • 1x seinäasennussarja<br>(4x M6x35 -ruuvi ja 4x muovialuslevy)* |

\* - Saatavilla vain 50" malleille

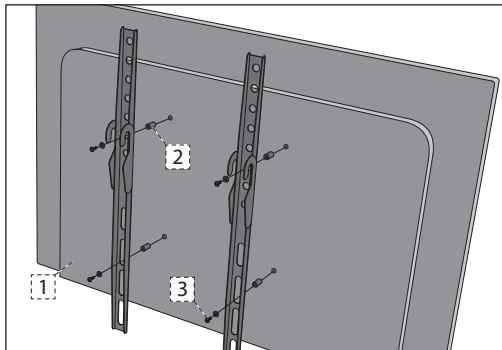
## Jalustan kiinnittäminen

Noudata lisävarustepussissa olevan Teknisen käyttöohjeen ohjeita.

## TV:n kiinnittäminen seinään

- Poista seinäkiinnitysrei'issä olevat neljä ruuvia.
- Seinäteline voidaan nyt kiinnittää helposti TV:n takana oleviin kiinnitysrei'isiin.
- Asenna seinäkiinnityseline televisioon telineen valmistajan ohjeiden mukaisesti.

Kiinnitettäessä seinäasennuskannakkeita 50" malliin suosittelemme käyttämään lisätarvikepakauksen pidempiä ruuveja ja aluslevyjä TV:n seinäasennusaukkojen sisältämien ruuvien sijaan. Aseta aluslevyt TV:n seinäasennusaukkoihin, jotka sijaitsevat TV:n takana ja aseta sitten seinäkannakkeet niihin. Kiinnitä kannakkeet ja aluslevyt TV:hen pidemmillä ruuveilla seuraavasti:



- TV
- ALUSLEVY
- RUUVI

**HUOMAA:** Kaaviossa esitetty TV ja seinäkannaketyyppi ovat vain havainnollistamistarkoituksiin.

## Kytkeminen

Löydät kytkemisohteet tämän Käyttöohjeen viimeiseltä sivulta.

## Aloittaminen - ensimmäinen asennus

- Liitä TV RF-kaapelilla antennipistorasiaan.

- Voi muodostaa langallisen Internet-yhteyden liittämällä Cat 5- tai Ethernet -kaapelin (hankittava erikseen) televisiosta laajakaistamodeemiin tai reitittimeen.
- Aseta toimitukseen kuuluvat paristot kaukosäätimeen.
- Liitä virtajohto pistorasiaan.
- Jatka nyt seuraaviin vaiheisiin tehdäksetsi TV:n käyttömääritykset.
- TV:n päälle kytkemisen jälkeen sinut toivotetaan tervetulleeksi **Ensiasennus** -valikkoon. Jos tämä näyttö ei tule esiin, saat sen esiin painamalla kaukosäätimen [MENU]-painiketta ja sitten 8-8-8-8. Voit halutessasi muuttaa oletusasetuksia vierityspainikkeilla ▲/▼/◀/▶. Voit halutessasi poistua tästä valikosta painamalla [EXIT] (poistu) -painiketta.
- Määritä halutut asennukset ENSIASENNUS-näytöllä.**

## TV-painikkeet\*

**VOL+** Äänenvoimakkuus ylös ja valikko oikealle

**VOL-** Äänenvoimakkuus alas ja valikko vasemmalle

**CH+** Ohjelma/kanava ylöspäin ja valikko ylöspäin

**CH-** Ohjelma/kanava alaspäin ja valikko alaspäin

**MENU** (VALIKKO) Näyttää valikon tai OSD:n

**SOURCE** (LÄHDE) Näyttää tulolähteen valikon

**STANDBY** (VALMIUSTILA) Valmiustilassa virta päällä/Pois päältä

\* - koskee näppäimillä varustettua TV:tä

## TV:n Hallintasauva\*

TV:n hallintasauva sijaitsee television takaosan vasemmassa alakulmassa. Voit käyttää sitä kaukosäätimen sijaan hallitaksesi useimpia toimintoja televisiossasi.

### Kun TV on valmiustilassa:

- Hallintasauvan lyhyt painallus – Virta päälle

### Televisiota katsellessa:

- OIKEA/VASEN – äänenvoimakkuus +/-
- YLÖS/ALAS – kanavan vaihto +/-
- lyhyt painallus – Avaa valikon
- pitkä painallus – Valmiustila O

### Valikossa:

- OIKEA/VASEN/YLÖS/ALAS – osoittimen siirto näyttövalikoissa
- lyhyt painallus – OK/Vah vista valittu kohde
- pitkä painallus – Palaa edelliseen valikkoon

\* - koskee TV:tä jossa on ohjaintikku

## Syötön tai lähteen tilan valinta

Vaihto erilaisten syöttöjen ja liittämöjen kanssa.

### Paina kaukosäätimen painikkeita:

- Paina [SOURCE] (☐) [LÄHDE] (☐) - Näkyviin tulee lähdevalikko.
- Valitse tarvitsemasi syöttö painamalla joko [◀] tai [▶].
- Valitse [OK].

### b1) Paina television painikkeita\*:

- Paina [SOURCE] (LÄHDE).
- Vieritä VOL+/VOL- -painikkeilla tarvitsemasi syöttö tai lähde.
- Voit vaihtaa tulon tai lähteen haluamaksesi painamalla [SOURCE].

### b2) TV:n hallintasauvan\* käyttö:

- Paina hallintasauvaa lyhyesti mennäksesi valikkoon.
- Paina hallintasauvaa alas, ja siirrä osoitin LÄHTEET-valikkoon.
- Paina hallintasauvaa lyhyesti mennäksesi LÄHTEET-valikkoon.

4. Valitse hallintasauvalla haluamasi tulo/lähde.
5. Lyhyt hallintasauvan painallus vaihtaa valittuun tuloon/lähteeseen.

\* - **valinnainen**

## TV-valikossa siirtyminen

Voit käyttää tätä valikkoa painamalla kaukosäätimen [MENU](VALIKKO)-painiketta. Voit syöttää valikon painamalla [OK]. Voit halutessasi muuttaa oletusasetuksia vierityspainikkeilla (▲/▼/◀/▶). Voit vahvistaa asetukset painamalla [OK]-painiketta. Voit halutessasi poistua tästä valikosta painamalla [EXIT] (poistu) -painiketta.

## Sähköinen käyttöohje

Lataa käyttöopas verkosta painamalla [MENU]-painiketta ja valitse sitten Asetukset>Tietoa TV:stä>Tukitiedot>Katso käyttöopasta verkossa.

## Kaukosäädin

Katso TV:n käyttöopas ruudulla

## Svarbūs saugos nurodymai



**Prieš naudodami prietaisą, perskaitykite šiuos saugos nurodymus ir atkreipkite dėmesį į įspėjimus:**

**Kad nesukeltumėte gaisro, žvakės ar kitus atviros liepsnos šaltinius laikykite atokiai nuo šio gaminio.**



- 43 col. ekrano įstrižainės ar didesnius televizorius turi kelti ir nešti bent jau du asmenys.
- Šiame televizoriuje nėra tokių dalių, kurias galėtų remontuoti pats naudotojas. Pastebėję gedimą, susiekite su gamintoju arba įgaliotu techninės priežiūros centru. Gali būti pavojinga gyvybei liesti kai kurias televizoriaus vidines dalis. Gaminiui suteikiama garantija netaikoma tų gedimų atveju, kai remontą atliko neįgalioti tretieji asmenys.
- Nearydykite galinės prietaiso dalies.
- Šis prietaisas skirtas priimti ir atkurti vaizdo ir garso signalus. Griežtai draudžiama jį naudoti kitokia paskirtimi.
- Saugokite televizorių nuo lašančių skysčių ar aptaškymo.
- Norėdami išjungti televizorių iš maitinimo tinklo, ištraukite kištuką iš maitinimo lizdo.
- Norint išvengti pavojaus, priešais prietaiso maitinimo laidą turi pakeisti gamintojas, techninės priežiūros centro darbuotojas arba kvalifikuotas specialistas.
- Siūlomas atstumas HD televizijai žiūrėti yra apytiksliai penkis kartus didesnis nei ekrano aukštis. Ant ekrano susidarantys atspindžiai nuo kitų šviesos šaltinių gali pabloginti vaizdo kokybę.
- Pasirūpinkite, kad televizorius būtų gerai vėdinamas ir nebūtų statomas arti kitų buitinių prietaisų ar baldų.
- Tarp prietaiso ir sienos palikite mažiausiai 5 cm tarpą ventilacijai.
- Pasirūpinkite, kad ventilacijos angų neuždengtų tokie daiktai kaip laikraščiai, staltiesės, užuolaidos ir pan.
- Televizorius skirtas naudoti vidutinio klimato sąlygomis.
- Televizorius skirtas naudoti tik sausoje vietoje. Naudodami televizorių lauke, pasirūpinkite jį apsauga nuo drėgmės (lietaus, teškančio vandens). Saugokite nuo drėgmės.
- Nedėkite ant televizoriaus jokių daiktų, indų su skysčiais, pavyzdžiui, vazų ir pan. Tokie indai gali netyčia nuvirtti. Dėl to atsirastų elektros keliamas pavojus. Televizorių statykite tik ant prietaisai, pavyzdžiui, WLAN siejkliai, bėlaidžio signalo vaizdo stebėjimo kameros ir kt. gali kelti elektromagnetinius trikdžius. Nedėkite jų arti televizoriaus.
- Prietaiso nestatykite šalia šildytuvų ar vietose, kur šviečia tiesioginiai saulės spinduliai. Jie neigiamai veikia prietaiso aušinimą. Prietaisui pavojingas perkaitimas, ir dėl to gali smarkiai sumažėti jo tarnavimo laikas. Siekiant užtikrinti saugumą, nešvarumus iš prietaiso turi išvalyti kvalifikuotas specialistas.
- Stenkitės nepažeisti maitinimo laido ar maitinimo tinklo adapterio. Prietaisą jungti į elektros tinklą galima tik su komplekte esančiu laidu / adapteriu.
- Audros pavojings visiems elektriniams prietaisams. Jei žaibas trenkia į maitinimo tinklą ar anteną, jis gali pažeisti prietaisą net jei jis tuo metu išjungtas. Prieš audrą patartina ištraukti laidus ir antenos jungtis iš prietaiso.

- Prietaiso ekranui valyti naudokite tik drėgną, minkštą šluostę. Naudokite tik švarų vandenį. Jokiu būdu nenaudokite ploviklių, o juo labiau – tirpiklių.
- Televizorių statykite greta sienos, kad pastumtas jis nenuvirtstų.
- ĮSPĖJIMAS: jokiu būdu nestatykite televizoriaus ant nestabiliu pagrindu. Televizorius gali sužaloti ir rimtai sužaloti ar užmušti. Daugumos sužeidimų, ypač vaikams, galima išvengti, imantis tokių atsargumo priemonių:
- Televizorių statykite tik ant tokių spintelių ar stovų, kuriuos rekomenduoja televizoriaus gamintojas.
- Televizorių statykite tik ant tokių baldų, kurie saugiai jį atlaikytų.
- Pasirūpinkite, kad televizorius neišsikistų už baldų, ant kurių jis statomas, krašto.
- Nestatykite televizoriaus ant aukštų baldų (pavyzdžiui, spintų ar krygų lentynų), nepritvirtinę tų baldų ir paties televizoriaus prie tinkamo pagrindo.
- Nestatykite televizoriaus ant staltiesės ar kitokių medžiagų, kurios įsiterptų tarp televizoriaus stovo ir baldų.
- Paašinkite vaikams apie pavojus, kurie gresia lipant ant baldų, norint pasiekti televizorių ar jo valdiklius.
- Pasirūpinkite, kad vaikai neliptų ir nesikabintų ant televizoriaus.
- Jei pasiliecate turimą televizorių ir jį pernešate į kitą vietą, vadovaukitės tais pačiais nurodymais.
- Toliau pateikiami nurodymai užtikrina saugesnį televizoriaus pastatymo būdą, kai jis tvirtinamas prie sienos. Taip sumažinama tikimybė, kad jis nuvirs į priekį ir ką nors sužeis ar kad patirsite nuostolių.
- Montuojant šiuo būdu, reikalingas tvirtinimo lynas.
  - A) Vieną lyno (-), skirto (-) montavimui prie sienos, galą varžtais (varžtai būna prie sienos tvirtinamo rėmo komplekte) pritvirtinkite vienoje (abiejose) skylėje (-se) televizoriaus viršuje.
  - B) Kitą tvirtinimo lyno (-) galą pritvirtinkite prie rėmo, kuris sumontuotas ant sienos.
- Televizoriaus programinė įranga ar informacijos rodymo ekrane (OSD) išdėstymas gali būti pakeisti be įspėjimo.
- Pastaba: Elektros išlydžio atveju gali būti rodomos neteisings įrenginio funkcijos. Tokioje situacijoje užtenka išjungti ir vėl įjungti televizorių. Televizorius vėl veiks tinkamai.

### Įspėjimas:

- Nenaudokite tik išpakuoto televizoriaus. Prieš naudodami, palaukite, kol televizorius sušils iki kambario temperatūros.
- negalima jungti jokių išorinių prietaisų, kol šis prietaisas yra įjungtas. Išjunkite ne tik televizorių, bet ir pačius prietaisus, kuriuos norite prijungti! Televizoriaus maitinimo laidąjunkite į elektros tinklą tik po to, kai prijungiate išorinius prietaisus ar anteną!
- Būtinai užtikrinkite, kad televizoriaus maitinimo laido šakutė būtų lengvai pasiekiamą.
- Prietaisas neskirtas naudoti darbo aplinkoje, kurioje veikia daug monitorių.
- Dažnai klausantis dideliu garsumu per ausines, galima negrįžtamai pakenkti klausimui.
- Užtikrinkite, kad šis prietaisas ir bet kurios jo dalys, taip pat ir maitinimo elementai, būtų utilizuojami aplinkai nekenksmingu būdu. Suabejoję susisiekite su vietos valdžios įstaiga dėl informacijos apie perdirimą.
- Rinkdami vietą, kur pastatyti televizorių, turėkite omenyje, kad baldų paviršiai būna apdoroti įvairiais lakais, plastikais ir pan., jie gali būti poliruoti. Tokiais atvejais paviršiuose gali būti cheminių medžiagų, galinčių sureaguoti su televizoriaus stovu. Dėl to prie baldų paviršiaus gali priplinti medžiagos likučiu, kuriuos sunku arba net neįmanoma nuvalyti.
- Jūsų televizoriaus ekranas gaminamas aukščiausios kokybės sąlygomis ir buvo kelis kartus nuodugnai tikrinamas, ar nėra neaktyvių taškų. Atsižvelgiant į technologines gamybos proceso ypatybes, neįmanoma užtikrinti, kad ekrane neatsirasytų nė vieno neaktyvaus taško (net dedant maksimalias kokybės tikrinimo pastangas gamyboje). Šie neaktyvūs taškai nelaikomi gedimu garantinėse sąlygose, jei jų kiekis neviršija DIN standartais apibrėžtų normų.
- Gamintojas negali būti laikomas atsakingu už klientų aptarnavimo problemas, susijusias su trečiosios šalies turiniu arba paslaugomis. Bet kokius klausimus, komentarus ar užklausas dėl paslaugų, susijusias su

trečiosios šalies turiniu ar paslauga, reikia tiesiogiai pateikti turinio ar paslaugos teikėjų.

- Yra daugybė priežasčių, dėl kurių įrenginyje galite nepasiekti turinio ar paslaugų, nesusięsiusių su pačiu įrenginiu, įskaitant, tačiau neapsiribojant, maitinimo trūkį, interneto ryšį arba netinkamą įrenginio sukonfiguravimą. UMC Poland, jos direktoriai, pareigūnai, darbuotojai, agentai, rangovai ir dukterinės įmonės neatsako jums ar jokiai trečiajai šaliai už tokias truktis arba technines priežiūros trūkumus, nepaisant to, ar priežasties buvo galima išvengti.
- Visas trečiosios šalies turinys arba paslaugos, pasiekiami šiame įrenginyje, pateikiami tokie, kokie yra. „UMC Poland“ ir jos dukterinės įmonės neteikia jums jokios tiesioginės ar numanomos garantijos arba pareiškimo, įskaitant, tačiau neapsiribojant, bet kokias perkamumo, nepažeidžiamumo, tinkamumo konkrečiam tikslui garantijas arba bet kokias tinkamumo, prieinamumo, tikslumo, išsamumo, saugumo, nuosavybės, naudingumo, neaplaidumo, klaidų nebuvimo, nepertraukiamo veikimo, jums pateikto turinio ar suteiktų paslaugų naudojimo garantijų, taip pat garantijų, kad turinys arba paslaugos atitinka jūsų reikalavimus arba lūkesčius.
- „UMC Poland“ nėra agentė ir neprisima jokios atsakomybės už trečiosios šalies turinio arba paslaugų teikėjų veiksmus ar praleidimus arba už tokių trečiųjų šalių teikėjų turinį ar paslaugas.
- „UMC Poland“ ir (arba) jos dukterinės įmonės nėra atsakingos jums ar jokiai trečiajai šaliai už jokių tiesioginių, netiesioginių, specialių, atsitiktinių, baudžiamuosius, išplaukiančius ar kitus pažeidimus, nepaisant to, ar atsakomybė pagrįsta sutartimi, civilinės teisės pažeidimu, aplaidumu, garantijos pažeidimu, griežta atsakomybe ir ar „UMC Poland“ ir (arba) jos dukterinės įmonės buvo informuotos apie tokių pažeidimų galimybę.
- Šiame gaminyje naudojama technologija, kuriai taikomos tam tikros „Microsoft“ intelektinės nuosavybės teisės. Šios technologijos naudojimas ar platinimas ne su šiuo gaminiu be tinkamos „Microsoft“ licencijos yra draudžiami.
- Turinio savininkai naudoja „Microsoft PlayReady“ turinio priegos technologiją apsaugoti savo intelektinę nuosavybę, įskaitant ir autorių teisių saugomą turinį. Šiame įrenginyje naudojama „PlayReady“ technologija, norint naudoti „PlayReady“ ir (arba) WMDRM apsaugotą turinį. Jei įrenginys tinkamai nenaudoja apribojimų turinio panaudojimui, turinio savininkai gali reikalauti, kad „Microsoft“ atšauktų galimybę įrenginyje naudoti „PlayReady“ apsaugotą turinį. Šis atšaukimas neturėtų paveikti nesaugomo turinio arba turinio, saugomo kitomis turinio priegos technologijomis. Turinio savininkai gali reikalauti, kad įsigytumėte pažangesnę „PlayReady“ versiją, kad galėtumėte naudoti jį turinį. Jei neįsigysite pažangesnės versijos, negalėsite naudoti turinio, kuriam reikalinga pažangesnė versija.

## Svarbi informacija, susijusi su prietaiso naudojimu vaizdo žaidimams, su kompiuteriais, teksto ir kitokio nejudančio vaizdo rodymu.

- Ilgai naudojant medžiagą su nejudančiu vaizdu, skystųjų kristalų (LCD) ekrane gali atsirasti nuolatiniai, „šešėliai“ (kartais ši problema neteisingai pavadinama „ekrano perdegimu“). Tokiu atveju šis šešėlis fone visą laiką matomas ekrane. Tai – negrįžtamas pažeidimas. Tokio pažeidimo galima išvengti, laikantis tolesnių nurodymų:
- Nustatykite mažiausią šviesumo / kontrasto reikšmę.
- Nerodykite nejudančio vaizdo ilgą laiką. Venkite rodyti šiuos vaizdus:
  - Teleteksto, laikrodžio ir lentelių,
  - TV/DVD meniu, pvz. DVD turinio,
  - Pauzės (vaizdo sustabdymo) režimu: stenkitės nenaudoti šios funkcijos ilgai, pavyzdžiui, žiūrint filmą.
  - Išjunkite prietaisą, kai jo nenaudojate.

## Maitinimo elementai

- Įdėdami maitinimo elementus, atkreipkite dėmesį į jų polius.
- Nelaikykite maitinimo elementų aukštoje temperatūroje ir nedėkite tokiose vietose, kur temperatūra gali staigiai pakilti, pvz. prie židinio ar prieš tiesioginius saulės spindulius.



Cd

- Nelaikykite maitinimo elementų prie šildymą spinduliuojančių šaltinių, nemeskite į ugnį, neardykite ir nebandykite įkrauti vienkartinio įkrovimo elementų. Jie gali prakiurti arba sprogti.
  - » Nenaudokite skirtingų maitinimo elementų kartu ir naujų su senais.
  - » Maitinimo elementus išmeskite taip, kad neterštumėte aplinkos.
  - » Daugelyje ES šalių maitinimo elementų utilizavimą reglamentuoja įstatymai.

## ATSARGIAI:

- 1 KLASĖS LAZERĮ NAUDOJANTIS PRODUKTAS (modeliams su integruotu DVD leistuvu). Etiketė su šiuo įspėjimu klijuojama prie galinės įrenginio sienelės.
- ŠIS ĮRENGINYS YRA 1 KLASĖS LAZERĮ NAUDOJANTIS PRODUKTAS. ŠIS ĮRENGINYS NAUDOJA MATOMĄ LAZERIO SPINDULĮ, KURIS, ATSUKTAS TIESIOGIAI, GALI SUKELTI PAVOJINGĄ SPINDULIAVIMĄ, LEISTUVĄ BŪTINAI NAUDOKITE PAGAL INSTRUKCIJĄ.
- ĮJUNGUS ĮRENGINĮ Į ELEKTROS TINKLĄ, NESISTENKITE ŽIURĖTI Į TAI, KAS JO VIDUJE.
- VALDIKLIŲ, NUSTATYMŲ IR FUNKCIJŲ NAUDOJIMAS NE PAGAL ČIA PATEIKIAMUS NURODYMUS GALI SUKELTI PAVOJINGĄ SPINDULIAVIMĄ.
- NENUIMKITE DANGTALIŲ IR NEREMONTUOKITE ĮRENGINIO PATYS. ĮRENGINIO TECHNINĖ PRIEŽIŪRA PATIKĖKITE KVALIFIKUOTIEMS DARBUOTOJAMS.

## Utilizavimas

- Neišmeskite šio televizoriaus su nerūšiuotomis buitinėmis atliekomis. Nugabenkite jį į specialų elektrinės ir elektroninės įrangos surinkimo tašką perdirbimui. Taip prisidėsite prie žaliavų išteklių tausojimo ir aplinkos saugojimo. Daugiau informacijos gali suteikti pardavėjas arba vietos valdžios įstaigos.



## CE pareiškimas:

- „UMC Poland Sp. z o.o.“ pareiškia, kad šis LED televizorius atitinka būtinus reikalavimus ir kitas svarbias RED direktyvos 2014/53/EU nuostatas. [www.sharpconsumer.eu/documents-of-conformity/](http://www.sharpconsumer.eu/documents-of-conformity/). Visas ES atitikties deklaracijos tekstas prieinamas per šią nuorodą: [www.sharpconsumer.eu/documents-of-conformity/](http://www.sharpconsumer.eu/documents-of-conformity/) Šį gaminį galima naudoti visose ES šalyse. „Wi-Fi“ didžiausia siųstuvo galia: 100 mW esant 2,412 GHz – 2,472 GHz dažnių diapazonams

## Kas yra dėžėje

### Šio televizoriaus komplekte yra šios dalys:

• 1 x televizorius	• 1 x televizoriaus stovo montavimo reikmenų paketas
• 1 x nuotolinio valdymo punktas	• 1 x Trumpasis pradžios vadovas
• 2 x AAA tipo maitinimo elementai	• 1 montavimo ant sienos rinkinys (4 M6x35 varžtai ir 4 plastikiniai tarpikliai)*

\* - Tik su 50" modeliais

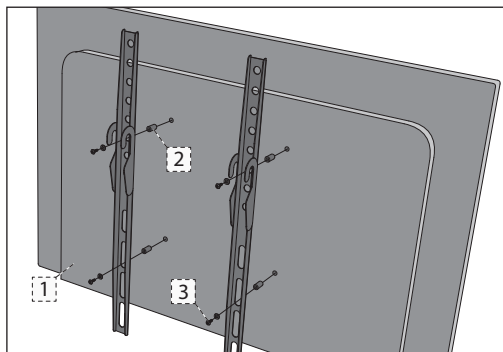
## Stovo montavimas

Vadovaukitės instrukcijomis, pateikiamomis techniniame lankstinuke, kuris yra priedų maišelyje.

## Televizoriaus montavimas prie sienos

1. Išsukite keturis varžtus, pateikiamus montavimo prie sienos laikiklio angose.
2. Montavimo prie sienos laikiklį dabar galima lengvai pritvirtinti prie montavimo angų galinėje televizoriaus dalyje.
3. Sumontuokite montavimo prie sienos laikiklį prie televizoriaus kaip rekomenduoja laikiklio gamintojas.

Naudojant montavimo prie sienos laikiklius su 50" modelių, vietoje televizoriaus montavimo prie sienos skylėse esančių varžtų rekomenduojame naudoti ilgesnius varžtus ir tarpiklius, esančius priedų pakelyje. Įstatykite tarpiklius į televizoriaus montavimo prie sienos skylės, esančias televizoriaus nugarinėje pusėje, o tada ant jų uždėkite laikiklius. Laikiklius ir tarpiklius pritvirtinkite prie televizoriaus ilgesniais varžtais, kaip parodyta toliau:



1. **TELEVIZORIUS**
2. **TARPIKLIS**
3. **VARŽTAS**

**PASTABA:** Paveikslėlyje pavaizduotas televizorius ir montavimo prie sienos laikikliai yra skirti tik iliustravimui.

## Jungtys

Kaip prijungti išorinius įrenginius, žr. paskutinį šios naudojimo instrukcijos puslapį.

## Pradžia – paruošimas naudoti

1. RF kabelių prijunkite televizorių prie televizijos antenos sieninio lizdo.
2. Norėdami prijungti internetą laidiniu ryšiu, sujunkite televizorių ir plačiajuosčių modemą / maršrutizatorių „Cat 5“ / eternetu laidu (nepateikiamas).
3. Į nuotolinio valdymo pultą įdėkite komplekte esančius maitinimo elementus.
4. Įjunkite maitinimo laidą į maitinimo lizdą.
5. Dabar galite eiti prie kitų televizoriaus konfigūravimo žingsnių.
6. Įjungę televizorių būsite pasveikinti meniu **First Time Installation** (Pirmasis diegimas). Jei jis nerodomas automatiškai, spauskite nuotolinio valdymo pulto [MENU] (liet. meniu) mygtuką, po to 8-8-8-8, ir atsiras šis meniu langas. Norėdami pakeisti kuriuos nors numatytuosius nustatymus, naudokite slinkimo mygtukus ▲/▼/◀/▶. Norėdami uždaryti šį langą, bet kuriuo metu spauskite [EXIT] (liet. išeiti) mygtuką.
7. **Atlikite norimus nustatymus FIRST TIME INSTALLATION lange.**

## Televizoriaus mygtukai\*

**Vol+** Garsumo didinimas ir meniu slinkimas į dešinę

**Vol-** Garsumo mažinimas ir meniu slinkimas į kairę

**CH+** Programos (kanalo) perjungimas į priekį ir meniu slinkimas į viršų

**CH-** Programos (kanalo) perjungimas atgal ir meniu slinkimas į apačią

**MENU** Rodyti meniu / OSD

**SOURCE** Rodyti įvesties (šaltinio) meniu.

**STANDBY** Įjungimas (išjungimas) į budėjimo režimą

\* - televizoriui su mygtukais

## Televizoriaus vairalazdė\*

Televizoriaus vairalazdė yra kairiajame televizoriaus nugarinės dalies kampe. Ja galite valdyti daugumą televizoriaus funkcijų, nenaudodami nuotolinio valdymo pulto.

**Televizoriui veikiant budėjimo režimu:**

- trumpas vairalazdės spustelėjimas - televizorius įjungiamas

**Žiūrint televizorių:**

- Į DEŠINĘ / Į KAIRĘ - garsumo didinimas / garsumo mažinimas
- Į VIRŠŲ / Į APAČIĄ - perjungiami kanalai į priekį / atgal
- trumpas spustelėjimas - iškvičiamas meniu
- ilgas paspaudimas - perjungimas į budėjimo režimą

**Iškvietus meniu:**

- Į DEŠINĘ / Į KAIRĘ / Į VIRŠŲ / Į APAČIĄ - žymeklio perslinkimas ant ekrane rodomų meniu punktų
- trumpas spustelėjimas - Gerai / pasirinkto punkto patvirtinimas
- ilgas paspaudimas - grįžimas į ankstesnį meniu langą

\* - televizoriui su valdymo svirtimi

## Įvesties (šaltinio) pasirinkimas

Perjungti įvairius įvesties variantus.

**a) Naudojant nuotolinio valdymo pultą:**

1. Spauskite [SOURCE/□] - Ekrane pasirodys šaltinio meniu langas.
2. Norėdami pasirinkti norimą įvestį, spauskite [◀] arba [▶].
3. Spauskite [OK].

**b1) Naudojant televizoriaus mygtukus\*:**

1. Spauskite [SOURCE].
2. Pasirinkite norimą įvestį (šaltinį), keisdami juos VOL+/VOL- mygtukais.
3. Spauskite [SOURCE], norėdami keisti į pasirinktą įvestį (šaltinį).

**b2) Televizoriaus vairalazdės\* naudojimas:**

1. Norėdami iškviesti meniu, trumpai spustelėkite vairalazdę.
2. Spauskite vairalazdę žemyn, kol žymeklis atsiras ant ŠALTINIAI meniu punkto.
3. Norėdami atidaryti „SOURCES“ meniu, trumpai spustelėkite vairalazdę.
4. Vairalazde pasirinkite norimą įvestį / šaltinį.
5. Trumpu vairalazdės spustelėjimu pakeisite įvestį / šaltinį į pasirinktą (-į).

\* - *pasirenkama*

## Naršymas televizoriaus meniu

Norėdami pasirinkti meniu, spauskite nuotolinio valdymo pulto [MENU] mygtuką. Norėdami įjungti meniu, spauskite [OK]. Norėdami pakeisti kuriuos nors numatytuosius nustatymus, naudokite slinkimo mygtukus (▲/▼/◀/▶). Norėdami patvirtinti bet kokius pakeistus nustatymus, spauskite [OK] mygtuką. Norėdami uždaryti šį langą, bet kuriuo metu spauskite [EXIT] (liet. išėiti) mygtuką.

## Elektroninė naudojimo instrukcija

Norėdami įjungti naudojimo instrukciją internete, paspauskite [MENU] mygtuką ir pasirinkite Nustatymai>Apie televizorių>Pagalbos informacija>Rodyti naudojimo instrukciją internete.

## Nuotolinio valdymo pultas

Žr. televizoriaus ekrane pateikiamame vadove.

## Svarīgi norādījumi par drošību



**Pirms ierīces lietošanas izlasiet šos norādījumus par drošību un ievērojiet tālāk norādītos brīdinājumus.**

**Lai novērstu aizdegšanās risku, sveces un cita veida atklātu liesmu vienmēr turiet tālāk no ierīces.**



- Televizoru komplekts ar 43 collu vai lielāku ekrānu ir jāpaceļ un jāpārviesto vismaz diviem cilvēkiem.
- Šim televizoram nav nevienas detaļas, kuru varētu remontēt lietotājs. Bojājuma gadījumā sazinieties ar ražotāju vai pilnvarotu tehniskās apkalpes dienesta pārstāvi. Saskaņā ar konkrētām televizora iekšpusē esošām detaļām var apdraudēt dzīvību. Garantija nesedz bojājumus, kas radušies, nepilnvarotai personai veicot remontdarbus.
- Nenoņemiet ierīces aizmugurējo daļu.
- Šī ierīce ir paredzēta video un skaņas signālu uztveršanai un atveidošanai. Jebkāda cita veida lietošana ir strikti aizliegta.
- Nepakļaujiet televizoru pilsošiem šķidrumiem.
- Lai televizoram atvienotu strāvas padeves avotu, atvienojiet kontakti tālāk no kontaktligzdas.
- Ja komplektācijā iekļautais strāvas vads ir bojāts, tas ir jānomaina ražotājam, tirdzniecības pārstāvim vai līdzvērtīgi kvalificētām personām, lai neradītu apdraudējumus.
- Ieteicams attālmums, lai skatītos HD TV ir aptuveni piecas reizes garāks par ekrāna augstumu. Citu gaismas avotu atspulgs ekrānā var pasliktināt attēla kvalitāti.
- Nodrošiniet televizoram pietiekamu ventilāciju un novietojiet to tālāk no citām ierīcēm un mēbeļiem.
- Lai nodrošinātu ventilāciju, uzstādiet ierīci vismaz 5 cm no sienas.
- Nodrošiniet, ka ventilācijas atveres netiek aizsegta ar avizēm, galdautiem, aizkariem un citām lietām.
- Televizoru ir paredzēts lietot mērenā klimata joslā.
- Televizoru ir paredzēts lietot tikai sausā vietā. Ja lietojat televizoru ārpus telpām, nodrošiniet, ka tas tiek aizsargāts pret mitrumu (lietu, ūdens šļakatām). Nekad nepakļaujiet to mitruma iedarbībai.
- Uz TV nenovietojiet izstrādājumus vai tvertnes ar šķidrumiem, piemēram, vāzes utt. Šie trauki var apgāzties, tādējādi apdraudot elektrisko drošību. Televizoru drīkst novietot tikai uz līdzenas un stabilas virsmas. Uz televizora vai zem tā nedrīkst novietot azides, segas vai citus priekšmetus.
- Nodrošiniet, ka ierīce nav novietota uz strāvas kabeļiem, jo šādā veidā tos var sabojāt. Mobilie tālruni un citas ierīces, piemēram, WLAN adapteri, novērošanas kameras ar bezvadu signāla pārraidi utt., var radīt elektromagnētiskos traucējumus, un šādas ierīces nedrīkst novietot televizora tuvumā.
- Nenovietojiet ierīci sildierīču tuvumā un tiešos saules staros, jo tas negatīvi ietekmē ierīces dzesēšanu. Siltuma uzkrāšanās ir bīstama un var ievērojami samazināt ierīces kalpošanas laiku. Lai garantētu drošību, lūdziet kvalificētai personai iztīrīt netīrumus no ierīces.
- Mēģiniet novērst strāvas vada un strāvas adaptera bojājumus. Ierīci drīkst pievienot, izmantojot tikai komplektācijā iekļauto strāvas vadu/adaptēri.
- Negaisis ir bīstams visa veida elektriskajām ierīcēm. Ja strāvas vadā vai antenas vadā iesper zibens, ierīce var tikt sabojāta pat tad, ja tā ir izslēgta. Pirms negaisa ir jāatvieno visi ierīces vadi un savienotāji.
- Lai notīrītu ierīces ekrānu, lietojiet tikai mitru un mīkstu drāniņu. Lietojiet tikai tīru ūdeni. Nedrīkst lietot tīrīšanas līdzekļus un šķīdinātājus.

- Novietojiet televizoru pie sienas, lai tas nevarētu nokrist, ja tiktu pagrūsts.
- BRĪDINĀJUMS! Televizoru nedrīkst novietot uz nestabilas virsmas. TV var nokrist, radot bīstamas traumas vai nāvi. No vairuma traumu, ir sevišķi bērnu, var izvairīties, ievērojot vienkāršus piesardzības pasākumus.
- Izmantojiet TV ražotāja ieteiktos skapjus vai statīvus.
- Izmantojiet tikai tādas mēbeles, kas droši atbalsta TV.
- Nodrošināt, ka TV nepārkaras pāri atbalstošās mēbeles malai.
- Nenovietojiet TV uz augstas mēbeles (piemēram, buketes vai grāmatu skapja), nenostiprinot mēbeļu un TV ar atbilstošu atbalstu.
- Nenovietojiet TV uz drēbes vai cita materiāla, kas var atrasties starp TV un atbalsta mēbeļu.
- Informēt bērnus par bīstamību, kas rodas kāpjot uz mēbeļiem, lai aiznīgtu TV vai tā vadības ierīces.
- Nodrošināt, ka bērni nekāpj uz TV.
- Ja esošais TV tiek saglabāts un pārviests, jāievēro tie paši pasākumi.
- Tālāk sniegtie norādījumi ir drošāks veids, kā uzstādīt televizoru, piestiprinot to pie sienas, un tādā veidā var novērst iespēju, ka televizors var nokrist uz priekšu un radīt traumas un bojājumus.
- Šādam uzstādīšanas veidam ir nepieciešams lietot stiprinājuma vadu.
  - A) Lietojiet vienu/abas augšējās sienas stiprinājuma atveres un skrūves (skrūves jau ir ievietotas sienas stiprinājuma atverēs), piestipriniet vienu stiprinājuma vada(-u) galu pie televizora.
  - B) Nostipriniet otru stiprinājuma vada(-u) galu pie sienas.
- Televizora programmatūras saturs un ekrāna izvēlnes (OSD) izkārtojums var tikt mainīts bez brīdinājuma.
- Piezīme. Elektrostatiskās izlādes (ESD) gadījumā ierīce var uzrādīt nepareizas funkcijas. Šādā gadījumā izslēdziet un ieslēdziet televizoru. Televizors darbosies normāli.

### Brīdinājums!

- Nelietojiet TV tieši pēc izpakošanas. Pirms TV lietošanas uzgaidiet, kamēr tas uzsilis līdz telpas temperatūrai.
- Nedrīkst pievienot ārējās ierīces ieslēgtam televizoram. Izslēdziet ne tikai televizoru, bet arī pievienojamās ierīces! Pēc ārējo ierīču un antenas pievienošanas televizora kontaktdakšu pievienojiet sienas kontaktlīgzdai!
- Nodrošiniet, ka televizora kontaktdakšā vienmēr ir brīvi aizsniedzama.
- Televizoru nav paredzēts lietot darbvietā, kas aprīkota ar monitoriem.
- Ja austiņas pastāvīgi tiek atskaņots liels skaļums, var rasties neatgriezeniski dzirdes bojājumi.
- Noteikti likvidējiet šo ierīci un jebkurus komponentus, tostarp baterijas, videi draudzīgā veidā. Ja rodas šaubas, informācijai par pārstrādi sazinieties ar vietējo varas iestādi.
- Uzstādot ierīci, ņemiet vērā, ka mēbeļu virsmas tiek apstrādātas ar dažādām lakām, ir no plastmasas vai citām vielām un tās var būt nopulētas. Šajos izstrādājumos iekļautajām ķīmiskajām vielām var būt reakcija ar televizora materiālu. Rezultātā pastāv iespēja, ka materiāla daļiņas var pielipt pie mēbeļu virsmas; un tās var būt grūti vai neiespējami notīrīt.
- Televizora ekrāns ir ražots augstākās kvalitātes apstākļos, un vairākas reizes tam ir pārbaudīts, vai nepastāv kļūdaini pikseli. Nav iespējams izslēgt nelielu kļūdainu pikseļu skaitu ekrānā ražošanas procesa tehnoloģisko parametru dēļ (pat ja ražošanas procesā ir ievērota maksimālā rūpība). Šie kļūdainie pikseli netiek uzskatīti par kļūmēm atbilstoši garantijas nosacījumiem, ja tie nepārsniedz DIN normās noteiktās robežas.
- Ražotājs neuzņemas atbildību par klientu servisa problēmām, kas saistītas ar trešās puses saturu vai pakalpojumiem. Ja ir jautājumi, komentāri vai ar apkalpi saistīti jautājumi par trešās puses saturu vai pakalpojumiem, jums jāsazinās ar attiecīgajiem saturu un pakalpojumu sniedzējiem.
- Var būt dažādi ar ierīci nesaistīti iemesli, kāpēc ierīce nevarat piekļūt saturam vai pakalpojumiem, tostarp, bet neaprobežojoties ar strāvas zudumu, interneta savienojumu vai nevarēšu pareizi konfigurēt ierīci. UMC Poland, tā direktori, vadoties darbinieki, aģenti, līgumslēdzēji un filiāles neuzņemas atbildību attiecībā pret jums vai trešajam pusēm par

šādām kļūmēm vai apkopes nepilnībām neatkarīgi no iemesla un tā, vai no tā varēja/nevarēja izvairīties.

- Visas trešās puses saturs un pakalpojumi, kas pieejami šajā ierīcē, ir nodrošināti "tādi, kādi tie ir" un "tādi, kādi tie ir pieejami", un UMC Poland un tā filiāles neuzņemas nekādu tiešu vai netiešu atbildību un jūsu pārstāvniecību, ietverot, bet neaprobežojoties ar tiešu vai netiešu piemērotības tirdzniecībai garantiju, likuma pārkāpumu, piemērotību noteiktam mērķim vai ar jebkādam garantijām attiecībā uz jums nodrošinātā satura vai pakalpojumu piemērotību, pieejamību, precizitāti, pilnīgumu, drošību, īpašumtiesībām, nepiemērotību, pienākumu nepildīšanu vai kļūdainu un pārtraukumiem esošu darbību un izmantošanu, kā arī to, ka šis saturs vai pakalpojumi būs piemēroti jūsu prasībām un paredzētajam.
- UMC Poland nav pārstāvis un neuzņemas atbildību par trešās puses satura un pakalpojumu nodrošinātajām darbībām un izlaidumiem, kā arī neuzņemas atbildību par nevienu šādas trešās puses nodrošinātā satura vai pakalpojuma saturu.
- Nevienā gadījumā UMC Poland un/vai tā filiāles nebūs atbildīgas ne pret jums, ne pret trešo pusi par tiešiem, netiešiem, speciāliem, nejausiem, soda, izrietošiem vai cita veida bojājumiem, neskatoties uz to, vai atbildības nosacījumi ir pamatoti ar līgumu, civiltiesību pārkāpumu, nolaidību, garantijas pārkāpumu, stingru atbildību vai citu pamatojumu, un neskatoties uz to, vai UMC Poland un/vai tā filiāles ir vai nav norādījuši par šādu bojājumu iespējamību.
- **Sajā izstrādājumā ir iekļauta tehnoloģija, uz kuru attiecas konkrētas Microsoft intelektuālā īpašuma tiesības. Šis tehnoloģijas izmantošana vai izplatīšana ārpus šī izstrādājuma bez atbilstošām (ām) licences(-ēm) no Microsoft ir aizliegta.**
- **Satura īpašnieki izmanto Microsoft PlayReady™ satura piekļuves tehnoloģiju, lai aizsargātu to intelektuālo īpašumu, ietverot ar autoritātēm aizsargāto saturu. Šī ierīce izmanto PlayReady tehnoloģiju, lai piekļūtu PlayReady aizsargātam saturam un/vai WMDRM aizsargātam saturam. Ja ierīce nepareizi piemēro satura izmantošanas ierobežojumus, satura īpašniekiem nepieciešams, lai Microsoft liedz piekļuves tiesības izmantot PlayReady aizsargātu saturu. Aizliegums nedrīkst ietekmēt neaizsargātu saturu vai saturu, kuru aizsargā citas satura piekļuves tehnoloģijas. Satura īpašnieki jums pieprasa jaunināt PlayReady, lai piekļūtu to saturam. Ja jaunināšanu noraidāt, jūs nevarēsiet piekļūt saturam, kam nepieciešams izmantot jaunināto versiju.**

## Svarīga informācija par videospēlēm, datoriem, parakstiem un citiem fiksētā attēla rādījumiem

- Ja ilgstoši tiek lietots fiksēta attēla programmas materiāls, LCD ekrānā var parādīties pastāvīgs "ēnas attēls" (dažreiz tas tiek nepareizi definēts kā "izdegusi ekrāna vieta"). Pēc tam šis ēnas attēls ir pastāvīgi redzams fonā. Tas ir neatgriezenisks bojājums. Lai novērstu šādu bojājumu rašanos, izpildiet tālāk sniegtos norādījumus.
- Samaziniet spilgtuma/kontrasta iestatījumu līdz minimālajam skata leņķim.
- Neatstājiet fiksētu attēlu ekrānā uz ilgu laika posmu. Centieties nerādīt ekrānā:
  - » teleteksta laiku un diagrammas,
  - » TV/DVD izvēlni, piemēram, DVD saturu,
  - » režīmu "Pause" (Pauze) ("aizturēšana"): nelietojiet šo režīmu ilgu laiku, piemēram, kamēr skatāties DVD vai video.
  - » Izslēdziet ierīci, kad to nelietojat.

## Baterijas

- Ievietojot baterijas, ņemiet vērā pareizo polaritāti.
- Nepakļaujiet baterijas augstai temperatūrai un nenovietojiet tās vietās, kur temperatūra var strauji paaugstināties, piemēram, tuvu liesmām vai tiešos saules staros.
- Nepakļaujiet baterijas pārmērīgam starojuma karstumam, nemetiet tās liesmās, neizjauciet tās un nemēģiniet uzlādēt nelādējamas baterijas. To saturs var iztecēt, vai tas var eksplodēt.



- » Dažāda tipa baterijas nedrīkst lietot kopā, un nedrīkst jaukt jaunās baterijas ar vecajām baterijām.
- » Likvidējiet baterijas veidi draudzīgā veidā.
- » Lielākajā daļā Eiropas Savienības valstu bateriju likvidēšana ir regulēta tiesību aktos.

## UZMANĪBU:

- 1. KLASES LĀZIERĪRĪCE (attiecās uz modeļiem ar iebūvētu DVD atskaņotāju). Šī brīdinājuma uzlīme atrodas uz ierīces aizmugurējā paneļa.
- ŠĪ IERĪCĒ IR 1. KLASES LĀZIERĪRĪCE. ŠĀI IERĪCĒI IZMANTO REDZAMU LĀZĒRA STARU, KAS VAR RADĪT BĪSTAMU PAKĻĀUŠANU LĀZĒRIEDARBĪBĀI, JA TĪESĪ VIRZĪTS. NOTEIKTI LIETOJIET ATSKAŅOTĀJU, KĀ MINĒTS NORĀDĪJUMOS.
- JA ŠĪ IERĪCĒ IR PIESLĒGTA ELEKTROTĪKLAM, NENOVIETOJIET ACIS ATVERU TUVUMĀ, LAI IESKATĪTOS IERĪCES IEKŠPUSĒ.
- JA LIETO VADĪBAS IERĪCES UN PAPILDIERĪCES, KAS NAV NORĀDĪTAS ŠAJĀ DOKUMENTĀ, UN RĪKOJAS PRETĒJĪ ŠAJĀ DOKUMENTĀ NORĀDĪTĀJAM, VAR RASTIES BĪSTAMA PAKĻĀUŠANA LĀZĒRIEDARBĪBĀI.
- NEATVERIET PĀRSEGŪ UN NEREMONTĒJIET IERĪCI PATS. UZTICIET APKALPES DARBS KVALIFICĒTAM PROFESIONĀLĪM.

## Likvidēšana

- Neizmetiet šo televizoru kā nešķirotus sadzīves atkritumus. Nododiet to attiecīgā savākšanas punktā elektrisko un elektronisko ierīču pārstrādei. Tā rīkojoties, jūs palīdzēsiet saglabāt dabas resursus un aizsargāt apkārtni vidi. Lai uzzinātu vairāk, sazinieties ar mazumtirgotāju vai vietējo varas iestādi.



## CE paziņojums

- Ar šo UMC Poland SpA z. o.o. paziņo, ka LED TV atbilst RED Directive 2014/53/EU iekārtām un to atbilstības savstarpējo atzīšanu pamatprasībām un citiem piemērojamiem nosacījumiem. [www.sharpconsumer.eu/documents-of-conformity/](http://www.sharpconsumer.eu/documents-of-conformity/). ES atbilstības deklarācijas pilnais teksts ir pieejams šādā saitē: [www.sharpconsumer.eu/documents-of-conformity/](http://www.sharpconsumer.eu/documents-of-conformity/) Šo aprīkojumu var izmantot visās ES valstīs. Wi-Fi maksimālā raidītāja jauda: 100 mW pie 2,412 GHz – 2,472 GHz



## Komplekta saturs

### Šī televizora komplektācijā iekļautas daļas

• 1x televizors	• 1x televizora statīva uzstādīšanas piederumu iepakojums
• 1x tālvadības pults	• 1x Īsā pamācība
• 2x AAA baterijas	• 1 sienas stiprinājumu komplekts (4 M6 x 35 skrūves un 4 plastmasas starplikas)*

\* - Pieejams tikai 50" modeļiem

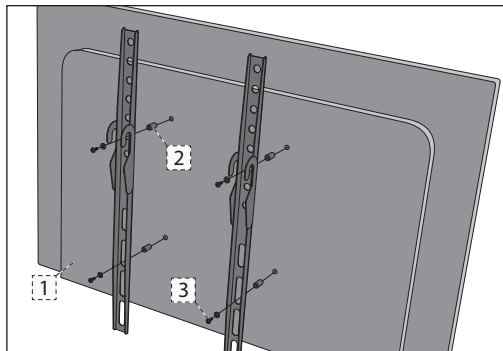
## Statīva pievienošana

Izpildiet piederumu maisā atrodamā tehnikajā brošūrā sniegtos norādījumus.

## Televizora stiprināšana pie sienas

1. Noņemiet četras skrūves, kas uzstādītas sienas stiprinājumu atverēs.
2. Sienas stiprinājumu tagad var viegli pievienot stiprinājuma atverēm televizora aizmugurē.
3. Televizoram uzstādiat sienas stiprinājuma kronšteinu, kā norādījis kronšteina ražotājs.

Kad 50" modelim uzstādāt sienas stiprinājumu, skrūvju vietā, kas atrodas televizora sienas stiprinājumu atverēs, iesakām izmantot piederumu komplektā ietvertās garākās skrūves un starplikas. Ievietojiet starplikas televizora sienas stiprinājuma atverēs, kas atrodas televizora aizmugurē, pēc tam uzstādiat sienas stiprinājumu uz tā. Uzstādiat stiprinājumus un starplikas uz televizora, izmantojot garākās skrūves, kā parādīts tālāk.



1. TELEVIZORS
2. STARPLIKA
3. SKRŪVE

**PIEZĪME:** Attēlā redzamais televizora un sienas stiprinājuma veids ir tikai atsaucei.

## Savienojumi

Pievienojot ārējās ierīces, skatiet šīs rokagrāmatas pēdējo lapu.

## Darba sākšana – sākotnējā uzstādīšana

1. Izmantojot RF kabeli, pievienojiet televizoru pie TV antenas sienas kontaktligzdas.
2. Lai izveidotu savienojumu ar internetu, izmantojot vadu, pievienojiet Cat 5/Ethernet kabeli (nav komplektācijā) no TV uz platjoslas modemu/maršrutētāju.
3. Ievietojiet tālvadības pulti komplektācijā iekļautās baterijas.
4. Pievienojiet strāvas vadu kontaktligzdai.
5. Lai konfigurētu televizoru, turpiniet ar nākamo darbību.
6. Pēc televizora ieslēgšanas tiek rādīta izvēlne **Instalēšana pirmo reizi**. Ja šis ekrāns netiek parādīts, nospiediet tālvadības pults pogu [MENU], ievadiet 8-8-8-8, un izvēlnē tiek parādīta. Lai mainītu kādu no noklusējuma iestatījumiem, izmantojiet ritināšanas pogas ▲▼/◀▶. Lai jebkurā brīdī izietu no izvēlnes, nospiediet pogu [EXIT].
7. **Ekrānā INSTALĒŠANA PIRMO REIZI iestatiet nepieciešamos iestatījumus.**

## Televizora pogas\*

**VOL+** Skajuma palielināšana; izvēlnē pa labi

**VOL-** Skajuma samazināšana; izvēlnē pa kreisi

**CH+** Programma/kanāls un izvēlnē augšup

**CH-** Programma/kanāls un izvēlnē lejup

**MENU** Tiek parādīta izvēlnē/ekrāna izvēlnē

**SOURCE** Tiek parādīta ievades avota izvēlnē

**STANDBY** Tiek ieslēgts/izslēgts gaidstāves režīms

\* - televizoriem ar pogām

## TV vadības bloks\*

TV vadības bloks atrodas TV aizmugures kreisās puses apakšējā stūrī. Varat lietot neatkarīgi no tālvadības pults, lai vadītu lielāko daļu TV funkciju.

**Kad TV ir pārslēgts gaidstāves režīmā:**

- uz īsu brīdi nospiediet vadības bloku – ieslēdzas

**TV skatīšanās laikā:**

- PA LABI/PA KREISI – skaļāk/klusāk
- AUGŠUP/LEJUP – maina programmu uz nākamo/iepriekšējo
- Nospiediet uz īsu brīdi – rāda izvēlni
- Turiet nospiestu – tiek pārslēgts gaidstāves režīmā

**Kad atvērta izvēlnē:**

- PA LABI/PA KREISI – ekrāna izvēlņu kursora pārvietošana
- Nospiediet uz īsu brīdi – LABI/ap stiprina atlasīto vienumu
- Turiet nospiestu – atgriežas iepriekšējā izvēlnē

\* - televizoriem ar vadības spraudni

## Ievades/avota režīma izvēle

Lai pārslēgtu dažādas ievades/savienojumus, rīkojieties, kā aprakstīts tālāk.

**a) Tālvadības pults pogu lietošana**

1. Nospiediet [SOURCE/☐] – tiek parādīta avota izvēlnē.
2. Nospiediet [◀] vai [▶] – tiek atlasīta nepieciešamā ievade.
3. Nospiediet [OK].

**b) Televizora pogu\* lietošana**

1. Nospiediet [SOURCE].
2. Izmantojot pogas VOL+/VOL-, ritiniet augšup/lejup līdz nepieciešamajai ievadei/avotam.
3. Nospiediet [SOURCE], lai mainītu ievadi/avotu uz atlasīto.

**b2) TV vadības bloka\* lietošana**

1. Uz isu brīdi nospiediet vadības vadības bloku, lai atvērtu izvēlni.
2. Nospiediet vadības bloku un pārvietojiet kursoru uz izvēlni AVOTI.
3. Uz isu brīdi nospiediet vadības bloku, lai atvērtu izvēlni AVOTI.
4. Izmantojot vadības bloku, atlasiet vēlamo ievadi/avotu.
5. Uz isu brīdi nospiežot vadības bloku, ievadi/avotu var mainīt uz atlasīto.

\* - *izvēles*

## Navigēšana pa televizora izvēlni

Lai atvērtu šo izvēlni, nospiediet tālvadības pults pogu [MENU]. Lai atvērtu izvēlni, nospiediet [OK]. Lai mainītu kādu no noklusējuma iestatījumiem, izmantojiet rītināšanas pogas (▲/▼/◀/▶). Lai apstiprinātu iestatījumus, nospiediet pogu [OK]. Lai jebkurā brīdī izietu no izvēlnes, nospiediet pogu [EXIT].

## Elektroniskā rokasgrāmata

Lai palaistu tiešsaistes rokasgrāmata, nospiediet pogu [MENU] un pēc tam atlasiet Iestatījumi > Par televizoru > Palīdzības informācija > Skatīt tiešsaistes rokasgrāmata.

## Tālvadības pults

Televizorā skatiet ekrāna rokasgrāmata.

## Olulised ohutusjuhised



### Lugege enne seadme kasutamist läbi järgnevad ohutusjuhised ja järgige toodud hoiatusi.



- 43" ja suurema diagonaaliga telereid tuleb tõsta ja kanda vähemalt kahe inimesega.
- See teler ei sisalda osi, mis oleksid kasutaja poolt remonditavad. Võimalike rikete korral pöörduge seadme tootja või ametliku teenindusesindaja poole. Teleri sees asuvate teatud osade puudutamine võib seada ohtu teie elu. Garantii ei hõlma rikkeid, millised on põhjustatud selleks volitamata kolmandate poolte poolt teostatud remonttööd.
- Ärge eemaldage seadme tagaosa.
- See seade on mõeldud video- ja helisignaale vastuvõtmiseks ja taasesitamiseks. Igasugune muu kasutamine on rangelt keelatud.
- Ärge laske seadmel kokku puutuda tilkuva vedeliku või vedeliku pritsmetega.
- Teleri lahutamiseks vooluvõrgust tõmmake toitepistik vooluvõrgu pistikupesast välja.
- Toitejuhtme kahjustuse korral peab selle võimalike ohtude vältimiseks vahetama välja tootja, teenindusesindaja või sarnase kvalifikatsiooniga isik.
- Soovitatav vahemaa HD TV vaatamiseks on umbes viiekordne ekraani kõrgus. Teiste valgusallikate peegeldused telierkraanil võivad halvendada pildi kvaliteeti.
- Veenduge, et telerile on tagatud piisav ventilatsioon ning see ei asu teiste seadmete või mööbliesemete läheduses.
- Piisava ventilatsiooni tagamiseks paigaldage seade vähemalt 5 cm kaugusele seinast.
- Jälgige, et ventilatsiooniavad ei takistaks sellised esemed, nagu ajalehed, laudlinnad, kardinad jms.
- Teler on mõeldud kasutamiseks mõõdukas kliimas.
- Teler on mõeldud kasutamiseks ainult kuivas kohas. Teleri kasutamisel õues tuleb tagada selle kaitses niiskuse eest (vihm, veprismed). Kaitseseadet niiskuse eest.
- Ärge asetage telerile vedelikega täidetud esemeid või mahuteid, nagu vaase jms. Sellised esemed võivad ümber minna ja põhjustada elektrilõõgiohtu. Asetage teler tasasele ja kindlale pinnale. Ärge asetage telerit peale ega alla kõrvalisi esemeid, nagu ajalehti, tekke jms.
- Veenduge, et seade ei asetse elektrijuhtme peal kuna see võib juhet kahjustada. Mobiiltelefonid ja teised seadmed, näiteks WLAN-adapterid, raadiotele signaalidastusega jälgimiskaamerad jms võivad põhjustada elektromagnetilist segamist ja neid ei tasuks paigutada teleri lähedale.
- Ärge paigutage seadet kütteelementide lähedale või otsese päikesevalguse kätte kuna see mõjub negatiivselt seadme jahutusele. Kuumuse kogunemine on ohtlik ja võib oluliselt lühendada seadme kasutusiga. Ohutuse tagamiseks paluge kvalifitseeritud isikul eemaldada seadmelt muusik.
- Vältige toitejuhtme või vooluvõrguadapteri kahjustamist. Seadet võib ühendada vooluvõrku ainult kaasas oleva toitejuhtme-/adapteriga.
- Äikesetormid on ohtlikud kõikidele elektriseadmetele. Kui äike lööb sisse vooluvõrku või antenni, võib seade kahjustada saada, seda isegi juhul,

kui seade on välja lülitatud. Enne äikesetormi algust tuleb kõik toitejuhtmed ja pistikud lahti ühendada.

- Kasutage seadme ekraani puhastamiseks ainult niisket ja pehmet lappi. Kasutage ainult puhast vett. Mitte mingil juhul ärge kasutage pesuvahendeid ega lahusteid.
- Paigutage teler seina lähedale, et teler lükkamise korral ümber ei kukuks.
- HOIATUS! Ärge asetage telerit ebastabiilsele pinnale. Teler võib kukkuda, põhjustades raskeid kehavigastusi või surma. Paljusid, eriti lastega juhtuvaid vigastusi on võimalik vältida, järgides lihtsaid ettevaatusabinõusid, nagu näiteks:
  - Kasutage teleritootja poolt heaks kiidetud kappe või aluseid.
  - Kasutage ainult sellist mööblit, mis suudab telerit turvaliselt toetada.
  - Veenduge, et teler ei ulatu üle toetava mööbli ääre.
  - Ärge asetage telerit kõrgele mööblile (näiteks kappidele või riulitele) ilma nii mööblit kui telerit asjakohase toe külge ankurdamata.
  - Ärge asetage telerit riidele ega teiste teleri ja toetava mööbli vahel asetsevatele materjalidele.
  - Selgitage lastele ohte, mis kaasvane teleri või selle juhtnuppudeni ulatamiseks mööblile ronimisega.
  - Jälgige, et lapsed ei roniks teleri otsa ega ripuks teleri küljes.
- Kui teie olemasolev teler paigutatakse teise kohta ümber, kehtivad samad ettevaatusabinõud.
- Järgnevalt toodud juhistel on näidatud ohutu viis teleri paigaldamiseks, kinnitades selle seinale ja vältides sellisel teleri ette maha kukumist ning vigastuste või kahjustuste tekitamist.
- Sellise paigaldusviisi puhul vajate kinnitustrossi.
  - A) Ühte või mõlemat ülimest seinale kinnitamise ava ja kruvisid kasutades (kruvid on seinale kinnitamise avades juba olemas) kinnitage kinnitustrossi(de) üks ots teleri külge.
  - B) Kinnitage kinnitustrossi(de) teine ots seinale.
- Teie teleri tarkvara ja ekraanikuva paigutust võidakse muuta ilma ette teatamata.
- Märkus: Elektrostaatiline laengu (ESD) korral võib aparadi töö olla häiritud. Sellisel juhul lülitage teler välja ja uuesti sisse. Teler töötab nüüd normaalselt.

### Hoiatus!

- Ärge kasutage telerit kohe pärast lahtipakkimist. Oodake enne kasutamist kuni teler on toatemperatuurini soojenenud.
- Ärge ühendage väliseid seadmeid pingestatud seadmega. Lülitage välja mitte ainult teler vaid ka ühendatavad seadmed! Ühendage telerit pistik seinakontakti alles pärast välisseadmete ja antenni ühendamist!
- Jälgige, et teleri voolupistikule oleks alati tagatud vaba juurdepääs.
- Seade ei ole mõeldud kasutamiseks monitoridega varustatud töökohas.
- Süsteemne kõrvklappide kasutamine suure helitugevusega põhjustab kuulmisele pöördumatut kahju.
- Tagage selle seadme ja kõikide komponentide sh patareide keskkonnasõbralikult utiliseerimine. Käitlemises kohta täpsema teabe saamiseks pöörduge kohaliku omavalitsuse poole.
- Seadme paigaldamisel tasub meele pida, et mööblipinnad on töödeldud erinevate lakkide, plastide jms-ga või need võivad olla poleeritud. Neis sisalduvad kemikaalid võivad reageerida teleri alusega. Reageerimise tulemusena võivad materjali mõned osad jääda mööblipinna külge, mida võib olla raske, kui mitte võimatu eemaldada.
- Teie teleri ekraan on toodetud tippkvaliteetsetes tingimustes ja seda on mitmeid kordi kontrollitud vigaste pikslite suhtes. Tootmisprotsessi tehnoloogiliste iseärasuste tõttu on väikese arvu vigaste punkte olemasolu võimatu vältida (isegi kui tootmise käigus äärmiselt hoolikalt olla). Selliste vigaste pikslite olemasolu ei loeta garantiitingimuste mõistes veaks juhul, kui nende arv jääb alla DIN-normi poolt sätestatud piiri.
- Tootjat ei vastuta klienditeenindusega seotud probleemide eest, mis on seotud kolmandate isikute sisu või teenustega. Kõik kolmandate isikute sisu või teenusega seotud küsimused, märkused või teenusega seotud päringud tuleb esitada otse vastava sisu või teenuse pakkujale.
- Eksisteeriv mitmeid seadmeid mitte olevalid põhjuseid, miks teil ei pruugi olla võimalik sisu või teenuse seadmet juurde pääseda, nagu

näiteks volulukatkestus, veebühendus või seadme vale konfigureerimine. UMC Poland, selle direktorid, ametnikud, töötajad, esindajad, alltöövõtjad ja allasutused ei vastuta teie ega kolmandate poolte ees selliste rikete eest ega katkestuste kõrvaldamise eest, sõltumata selle põhjusest või kas seda oleks olnud võimalik ära hoida.

- Kõik selle seadme abil juurde pääsetavad teenused ja sisu esitatakse teile „ilma garantiita“ ja „sellisena nagu on“ ning UMC Poland ja selle alltevõtteid ei anna teile mingit garantiid ega tee mingeid avaldusi, ei otseseid ega kaudseid sisaldades piiranguteta kõiki turustatavust, mit-terikkumisi, konkreetseks eesmärgiks sobivust puudutavaid garantiisid või teile pakutavate teenuste või sisu katkematu kasutamise, sobivuse, saadavuse, täpsuse, täielikkuse, turvalisuse, omanduse, kasulikkuse, hooldatavuse puudumise või tõrgete puudumise garantiisid, või et sisu või teenused vastavad teie nõudmistele või ootustele.
- „UMC Poland“ ei ole kolmandate poolte esindaja ja ei võta enda kanda vastutust kolmandate poolte tegevuse või tegevusetuse eest ega selliste kolmandatest pooltest pakujatega seotud sisu või teenuse ükskõik millise aspekti eest.
- Mitte ühelgi juhul ei ole „UMC Poland“ ja/või selle alltevõtteid vastutava teie ega mõne kolmanda poolte eest otsese, kaudse, spetsiaalsete, ettenägematute, rahaliste, tegevusest tulenevate või muute kahjude eest olenemata, kas vastutuse teooria põhineb lepingul, õigusrikkumisel, hoolimatusel, garantii rikkumisel, otsesel vastutusel või muul ja olenemata sellest, kas UMC Poland ja/või selle alltevõtteid on selliste kahjude võimalikkusest teavitatud.
- **Antud toode sisaldab tehnoloogiat, millele rakenduvad Microsofti teatud intellektuaalse omandi õigused. Sellise tehnoloogia kasutamine või levitamine väljaspool antud toodet on ilma Microsofti vastava loa/lubadeta keelatud.**
- **Sisu omanikud kasutavad Microsofti PlayReady™ sisule juurdepääsemise tehnoloogiat oma intellektuaalse vara sh autoriõigusega kaitstud sisu kaitsmiseks. Antud seade kasutab PlayReady- ja/või WMDRM-kaitsesüsteemide tehnoloogiat PlayReady. Kui seade ei rakenda sisu kasutamisele õigesti piiranguid, võivad sisu omanikud nõuda Microsoftilt seadmele antud PlayReady-kaitsesüsteemiga sisu tarbimise võime tühistamist. Tühistamine ei peaks mõjutama ilma kaitsesüsteemi sisu või sisu, mis on kaitstud teiste sisule juurdepääsu tehnoloogiatega. Sisu omanikud võivad nõuda teilt sisule juurdepääsemiseks PlayReady uuendamist. Kui te keeldute uuendamisest, ei anna teile juurdepääsu uuendust nõudvale sisule.**

## Videomängude, arvutite, piltide ja teiste püsikujutiste näitamise seotud oluline teave.

- Pikaajaline püsipildi programmi materjali kasutamine võib põhjustada LCD-ekraanil püsiva „varikujutise“ (mõnikord on seda ebakorrektset nimetatud ka „ekraani läbipõlemiseks“). Selline varikujutis on ekraani taustal püsivalt nähtav. Tegemist on pöördumatu kahjustusega. Sellist kahjustust on võimalik vältida, järgides järgmisi juhiseid.
- Vähendage ereduse/kontrastuse seadistus minimaalsele vaadatavale tasemele.
- Ärge kuvage püsipilti pika aja vältel. Vältige alljärgneva kuvamist.
  - » Teleteksti aeg ja tabelid.
  - » TV-/DVD-kava, näiteks DVD-sisu.
  - » Pausirežiim (peatamine): ärge kasutage seda režiimi pikka aega järjest, näiteks DVD või video vaatamise ajal.
  - » Kui te seadet ei kasuta, lülitage see välja.

## Patareid

- Patareidide sisestamisel järgige nende õiget polaarust.
- Ärge laske patareididel puutuda kokku kõrgete temperatuuridega ja ärge asetage patareidid kohta, kus temperatuur võib kiirelt tõusta, näiteks lahtise leegi lähedusse või otsese päikesevalguse kätte.
- Ärge jätke patareidid intensiivse soojuskiirguse kätte, ärge visake neid tulle, ärge võtke neid lahti ja ärge üritage laadida mittelaetavaid patareidid. Patareidid võivad selle tulemusel plahvatada.



- » Ärge kasutage samaaegselt vanu ja uusi patareidid.
- » Utiliseerige patareid keskkonnasõbralikul moel.
- » Enamikes EL-i riikides on patareidide utiliseerimine reguleeritud vastavate õigusaktidega.

## ETTEVAATUST:

- I KLASSI LASERTOODE (sisseehitatud DVD-mängijaga mudelite puhul). Antud ettevaatusele kutsuv silt asub seadme tagapaneelil.
- ANTUD SEADE ON I KLASSI LASERTOODE. SEADE KASUTAB NÄHTAVAT LASERKIIRI, MIS VÕIB OTSE PEALE SUUNATUNA PÕHJUSTADA OHTLIKKU RADIATSIOONI. KASUTAGE MÄNGIJAT VASTAVALT JUHENDILE KORREKTSelt.
- KUI SEADE ON ÜHENDATUD SEINAPISTIKUSSE, ÄRGE MINGE SEADME SISSE VAATAMISEKS SILMADEGA SEADME AVADELE LIIGA LÄHEDALE.
- SEADME JUHTNUPPUDE, SEADISTUSTE KASUTAMINE VÕI PROTSEDUURIDE TEOSTAMINE SIINKOHAL KIRJELDATUST ERINEVAL VIISIL VÕIB PÕHJUSTADA OHTLIKKU RADIATSIOONI LEKKIMIST.
- ÄRGE AVAGE KATTEID JA PÜÜDKE SEADET ISE PARANDADA. PÖÖRDUGE HOOLDUSEKS KVALIFITSEERITUD ISIKU POOLE.

## Utiliseerimine

- Ärge utiliseerige seda telerit sorteerimata olmejäätmena. Viige teler elektri- ja elektroonikaseadmetele ettenähtud kogumispunkti. Nii tehes aitate säilitada loodusvarasid ja kaitsta keskkonda. Lisateabe saamiseks võtke ühendust oma edasimüüja või kohaliku omavalitsusega.



## CE avaldus:

- UMC Poland Sp. z o.o. avaldab käesolevaga, et see LED teler on kooskõlas RED direktiivi 2014/53/EU põhinõuete ja teiste asjakohaste sätetega. [www.sharpconsumer.eu/documents-of-conformity/](http://www.sharpconsumer.eu/documents-of-conformity/). ELi vastavusdeklaratsiooni täiendust on saadaval järgmisel lingil [www.sharpconsumer.eu/documents-of-conformity/](http://www.sharpconsumer.eu/documents-of-conformity/). Seadet võib kasutada kõigis EL-i riikides. Wi-Fi maksimaalne edastusvõimsus: 100 mW sagedusel 2,412 GHz – 2,472 GHz

## Mida sisaldab toote karp

### Selle teleri komplekti kuuluvad järgmised osad:

- |                   |  |
|-------------------|--|
| • 1x teler        | • 1x teleriluse paigalduspakett                                |
| • 1x pult         | • 1x Kiirjuhend  |
| • 2x AAA patareid | • 1x seinakinnituskomplekt (4x M6x35 kruvi ja 4x plasttüübel)* |

\* - Saadaval ainult 50" mudelite puhul

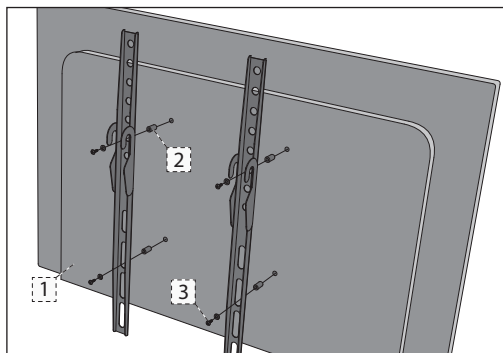
## Teleri seinale kinnitamine

Järgige tarvikutekotis asuvas tehnilises juhendis toodud juhiseid.

## Teleri seinale kinnitamine

1. Eemaldage neli kruvi, mis asuvad seinale kinnitamise avades.
2. Seinakinnituse võib nüüd hõlpsalt kinnitada teleri taga asuvasse kinnitamisavadesse.
3. Paigaldage seinale kinnitamise kronstein telerile, järgides kronsteini tootja juhiseid.

50" mudelile seinakinnituskronsteine kinnitades soovime me teleri seinakinnitusaukudes asuvate kruvide asemel kasutada tarvikutepakettis sisalduvaid pikemaid kruvisid ja tüübleid. Asetage tüüblid teleri tagaküljel asuvasse teleri seinale kinnitamise aukudesse ja asetage neile seinakronsteineid. Kinnitage kronsteineid ja tüüblid järgnevalt näidatud viisil pikemate kruvide abil teleri külge.



1. TELER
2. TÜÜBEL
3. KRUVI

**MÄRKUS:** Joonisel näidatud teler ja seinakronsteini tüüp on illustreeriva iseloomuga.

## Ühendused

Välisseadmete ühendamist on kirjeldatud käesoleva juhendi viimasel leheküljel.

## Hakkama peale – algne seadistamine

1. Ühendage teler RF-kaabli abil teleantenni pistikupesasse.
2. Juhtmeühenduse abil internetiga ühendamiseks ühendage Cat 5/ Etherneti kaabel (ei kuulu komplekti) telerist oma lairiba modemis- või ruuterisse.
3. Sisestage kaasas olevad patareid teleri.
4. Ühendage toitekaabel voolupistikusse.
5. Teleri konfigureerimiseks liikuge edasi järgmistesse sammudesse.
6. Pärast teleri sisselülitamist tervitatakse teid menüüga „**Esmane installimine**“. Kui seda ei kuvata, vajutage puldil nuppu [MENU] ja seejärel nuppe 8-8-8-8 ning ekraanile kuvatakse menüü. Kui soovite mõnes vaikeseades muudatusi teha, kasutage selleks kerimispuppe ▲/▼/◀/▶. Menüüst väljumiseks vajutage nuppu [EXIT].
7. **Tehe ESMAKORDSE INSTALLIMISE kuval soovitud muudatused.**

## Telerinupud\*

**VOL+** helitugevus valjemaks ja menüü paremale

**VOL-** helitugevus vaiksemaks ja menüü vasakule

**CH+** programm/kanal üles ja menüü üles

**CH-** programm/kanal alla ja menüü alla

**MENU** menüü/ekraanimenüü kuvamine

**SOURCE** sisendallika menüü kuvamine

**STANDBY** ooteseisundis toide sees/väljas

\* - nuppudega teleri puhul

## Teleri juhthoob\*

Teleri juhthoob asub teleri taga all vasakus nurgas. Võite kasutada seda juhtpuldil asemel enamike telerifunktsioonide juhtimiseks.

**Kui teler on ooterežiimis:**

- vajutage lühidalt juhthooba - toide sees

**Teleri vaatamise ajal:**

- PAREMALE/VASAKULE – helitugevus valjemaks/nõrgemaks
- ÜLES/ALLA – valib kanalit üles/alla
- lühike vajutus – kuvab menüü
- pikk vajutus – ooterežiimi lülitumine

**Menüüs viibides:**

- PAREMALE/VASAKULE/ÜLES/ALLA – kursori navigeerimine ekraanimenüüdes
- lühike vajutus – OK/valitud elemendi kinnitamine
- pikk vajutus – tagasi eelmisse menüüsse

\* - juhtlülitiga teleri puhul

## Režiimi sisendi/allika valimine

Erinevate sisendite/ühenduste vahel valimine.

**a) Kasutades puldinuppe**

1. Vajutage [SOURCE/☐] - kuvatakse allikamenüü.
2. Vajutage [◀] või [▶], et valida soovitud sisend.
3. Vajutage [OK].

**b1) Kasutades telerinuppe\***

1. Vajutage [SOURCE].
2. Kerige nuppudega VOL+/VOL- üles/alla vajaliku sisendi/allikani.
3. Vajutage [SOURCE], et muuta sisend/allikas teile vajalikule.

**b2) Teleri juhthoova\* kasutamine:**

1. Menüüsse sisenemiseks vajutage lühidalt juhthooba.
2. Vajutage juhthoob alla ja navigeerige kursor menüüsse SOURCES (Allikad).
3. Vajutage lühidalt juhthooba, et siseneda menüüsse SOURCES (Allikad).
4. Valige juhthoovaga vajalik sisend/allikas.
5. Lühidalt juhthooba vajutades kinnitate valitud sisendi/allika.

\* - *valikuline*

## Telerimenüüs navigeerimine

Menüü avamiseks vajutage puldil nuppu [MENU]. Menüüsse sisenemiseks vajutage [OK]. Kui soovite mõnda vaikeseadet muuta, kasutage kerimisnuppe (▲/▼/◀/▶). Seadete kinnitamiseks vajutage nuppu [OK]. Menüüst väljumiseks vajutage nuppu [EXIT].

## Elektrooniline kasutusjuhend

Veebjuhendi avamiseks vajutage nuppu [MENU] ja valige seejärel Seaded > Lähemalt telerist > Abiteave > Vaata veebjuhendit

## Kaugjuhtimine

Vt teleri ekraanile kuvatavat juhendit

## Důležité bezpečnostní pokyny



**Přečtěte si prosím tyto instrukce. Před použitím zařízení si přečtěte všechny bezpečnostní a provozní pokyny.**

**Abyste zabránili šíření požáru, nikdy se k tomuto výrobku nepřibližujte se svíčkou nebo jiným otevřeným ohněm.**



- Televizory s úhlopříčkou 43" nebo větší musí být zdvihány a přenášeny minimálně dvěma osobami.
- Buďte opatrní! Žádné části TV nesmějí být opravovány nebo vyměňovány uživatelem. V případě poruchy, se obraťte na výrobce nebo autorizovaný servis. Kontakt s některými částmi uvnitř přístroje může ohrozit váš život. Záruka se nevztahuje na závady způsobené neodbornými zásahy do zařízení!
- Neodstraňujte zadní kryt zařízení.
- Tento spotřebič je určen pro příjem a reprodukci obrazových nebo zvukových signálů. Jakékoliv jiné použití je přísně zakázáno.
- Nevystavujte TV kapajícím nebo stříkajícím kapalinám.
- Chcete-li TV odpojit od napájení, odpojte zástrčku z napájecí zásuvky.
- Je-li napájecí kabel poškozen, musí být nahrazen výrobcem, jeho servisním technikem nebo podobně kvalifikovanou osobou, aby nedošlo k úrazu.
- Doporučovaná vzdálenost pro sledování HD TV je zhruba trojnásobek úhlopříčky obrazovky. Světlo dopadající na obrazovku z jiných zdrojů světla může způsobit odrazy a zhoršení kvality obrazu.
- Zajistěte dostatečné větrání a dostatečnou vzdálenost spotřebiče od jiných kusů nábytku.
- Nainstalujte produkt nejméně 5 cm od zdi pro zabezpečení větrání.
- Ujistěte se, že ventilační otvory nejsou překryté věci, jako jsou noviny, záclony a ručníky, atd.
- TV je navržen tak, aby fungovala v mírném podnebí,
- Televizor je určen výhradně pro provoz na suchém místě. Při použití přístroje v exteriéru se prosím ujistěte, že je chráněn proti vlhkosti (dešti, stříkající vodě). Nikdy nevystavujte přístroj vlhkosti.
- Na TV nedávejte žádné nádoby naplněné kapalinami, např. vázy, atd. Tyto nádoby by se mohly převrhnout, a voda která by se mohla dostat do přístroje a způsobit zkrat. Postavte přístroj výlučně na rovné a stabilní povrchy. Nepokládejte žádné předměty, jako jsou noviny nebo deky, atd. na nebo pod přístroj.
- Neumísťujte přístroj v blízkosti topných těles nebo na místa s přímým slunečním zářením, protože to má negativní vliv na chlazení zařízení. Akumulované teplo je pro zařízení nebezpečné a může vážně snížit jeho životnost. V zájmu zajištění bezpečnosti přístroje, požádejte kvalifikovanou osobu k odstranění nečistot z přístroje.
- Pokud se předějí poškození napájecího kabelu a síťového adaptéru (pokud je součástí balení). Přístroj může být připojen pouze pomocí přiloženého síťového kabelu / adaptéru.
- Bouřky jsou nebezpečné pro všechny elektrické spotřebiče. V případě zasažení elektrické sítě nebo anténního rozvodu bleskem, může dojít k poškození zařízení, i když je vypnuté. Proto byste měli odpojit všechny kabely a konektory přístroje před bouří.
- K čištění obrazovky spotřebiče používejte pouze vlhký a měkký hadřík. Používejte pouze čistou vodu, nepoužívejte saponáty a rozpouštědla.

- Umístěte televizor v blízkosti stěny tak, aby se zabránilo možnosti jeho pádu.
- VAROVÁNÍ - Televizní sadu nikdy nedávejte na nestabilní místo. Televizní sada může spadnout, způsobit vážné zranění nebo smrt. Řadě zranění, zejména dětí, se lze vyhnout tím, že přijmete jednoduchá bezpečnostní opatření:
- Používejte skříňky nebo podstavce doporučené výrobcem televizní sady.
- Používejte pouze nábytek, který dokáže televizní sadu bezpečně unést.
- Zkontrolujte, zda televizní sada nepřechází přes okraj nábytku, na kterém je umístěna.
- Televizní sadu neumísťujte na vysoký nábytek (např. komody nebo knihovny) aniž byste upevnili jak nábytek, tak televizní sadu ke vhodné podpoře.
- Televizní sadu neumísťujte na látku nebo jiné materiály, které by se mohly nacházet mezi televizní sadou a nábytkem.
- Děti poučte o nebezpečí lezení na nábytek, pokud by chtěly dosáhnout na televizní sadu nebo její ovládnání.
- Zajistěte, aby děti na TV nelezly ani se na ni nezavěšovaly.
- V případě přemístění televizoru ze stávajícího umístění je třeba vzít v úvahu výše uvedené doporučení.
- Niže uvedené pokyny představují bezpečnější způsob zajištění televizoru montáží na stěnu tak, aby se zamezilo možnosti jeho pádu. Tím se zabránilo možnému zranění a jeho poškození. Pro tento typ instalace budete potřebovat fixační drát.
  - A) Pomocí jednoho/obou horních montážních otvorů určených pro montáž na stěnu a šroubů (šrouby jsou dodávány přímo v montážních otvorech) připevněte jeden konec upevňovacího drátu/drátů na televizor.
  - B) Zajistěte druhý konec upevňovacího drátu/drátů o vaši zeď.
- Software na vašem televizoru a OSD rozložení mohou být změněny bez předchozího upozornění.
- Poznámka: V případě elektrostatického výboje (ESD) nemusí zařízení fungovat správně. V takovém případě TV vypněte a znovu zapněte. TV bude fungovat normálně.

### Varování:

- TV sadu nepoužívejte bezprostředně po rozbalení. Než TV použijete, počkejte než se zahřeje na pokojovou teplotu.
- Nikdy nepřipojujte externí zařízení k zapnutému spotřebiči. Vypněte nejen televizor, ale i zařízení, která jsou připojena! Zapojte zástrčku do zásuvky až po připojení externích zařízení a antény!
- Zajistěte volný přístup k síťové zástrčce zařízení.
- Zařízení není určeno pro použití jako monitor počítače na pracovišti.
- Dlouhodobé používání sluchátek při vysoké hlasitosti může vést k nevratnému poškození sluchu.
- Zabezpečte správnou likvidaci zařízení a všech komponent včetně baterií s ohledem na životní prostředí. V případě pochybností, kontaktujte prosím svůj místní úřad pro podrobnosti o recyklaci.
- Nikdy nepřipojujte externí zařízení k zapnutému spotřebiči. Vypněte nejen televizor, ale i zařízení, která jsou připojena! Zapojte zástrčku do zásuvky až po připojení externích zařízení a antény!
- Zajistěte volný přístup k hlavnímu vypínači a síťové zástrčce zařízení.
- Zařízení není určeno pro použití jako monitor počítače na pracovišti.
- Dlouhodobé používání sluchátek při vysoké hlasitosti může vést k nevratnému poškození sluchu.
- Zabezpečte správnou likvidaci zařízení a všech komponent včetně baterií s ohledem na životní prostředí. V případě pochybností, kontaktujte prosím svůj místní úřad pro podrobnosti o recyklaci.
- Výrobce nemůže být zodpovědný nebo odpovědný za problémy související s zákaznickým servisem, který se týká obsahu nebo služeb třetí strany. Jakékoli otázky, komentáře nebo dotazy na služby související s obsahem nebo službami třetí strany se musí týkat přímo použitelného obsahu nebo poskytovatele služeb.
- Existuje řada důvodů, proč nemůžete získat přístup k obsahu nebo službám ze zařízení, které se samotným zařízením nesusouvisí, včetně, ale nejen, výpadku napájení, připojení k internetu nebo nesprávné konfigurace vašeho zařízení. Společnost UMC Poland, její ředitelé, zaměstnanci, úředníci, zástupci, dodavatelé a pobočky nenesou odpovědnost vůči

vám nebo třetí straně týkající se takového selhání nebo výpadků údržby, bez ohledu na příčinu nebo to, zda tomu bylo možné předjet.

- Veškerý obsah nebo služby třetích stran přístupné přes toto zařízení jsou vám poskytovány "tak jak jsou" a na bázi "k dispozici" a UMC Poland a její pobočky vám neposkytují žádnou záruku, včetně, bez omezení, jakýchkoli záruk obchodovatelnosti, neporušení, vhodnosti k určitému účelu nebo jakýchkoli záruk vhodnosti, dostupnosti, přesnosti, úplnosti, bezpečnosti, názvu, užitečnosti, nedostatku nedbalosti nebo bezproblémového nebo nepřerušovaného provozu nebo použití obsahu či služeb poskytovaných nebo toho, že obsah či služby, které vám budou poskytnuty, splní vaše požadavky a očekávání.
- "UMC Poland" není zástupce a nenese odpovědnost za jednání či opomenutí ze strany poskytovatelů obsahu nebo služeb třetí strany, ani za aspekt obsahu nebo služeb souvisejících s takovými třetími stranami.
- "UMC Poland" a/nebo její pobočky nejsou v žádné případě zodpovědné vám nebo jakékoli třetí straně za přímé, nepřímé, speciální, náhodné, trestní, následné nebo jiné škody, bez ohledu na to, zda se teorie odpovědnosti zakládá na smlouvě, deliktu, nedbalosti, porušení záruky, přísné odpovědnosti a bez ohledu na to zda byla společnost UMC Poland a/nebo její pobočky byly o možnosti takových škod informovány.
- **Tento produkt obsahuje technologii, na niž se vztahují některá práva duševního vlastnictví společnosti Microsoft. Použití nebo distribuce této technologie jinak než pro tento produkt je bez příslušné licence (licenci) poskytnuté společností Microsoft zakázáno.**
- **Vlastníci obsahu používají technologii Microsoft PlayReady™ určenou pro přístup k obsahu na ochranu svého duševního vlastnictví včetně ochrany obsahu podléhajícího autorským právům. Toto zařízení používá technologii PlayReady pro přístup k obsahu chráněnému technologií PlayReady a/nebo obsahu chráněnému pomocí WMDRM. Pokud by zařízení nedokázalo řádně zajišťovat omezení použití obsahu, mohou vlastníci obsahu po společnosti Microsoft požadovat, aby zrušil schopnost zařízení užívat obsah chráněný technologií PlayReady. Toto zrušení by nemělo mít vliv na nechráněný obsah nebo obsah chráněný jinými technologiemi pro přístup k obsahu. Abyste měli přístup k obsahu některých vlastníků obsahu, mohou tito vlastníci obsahu požadovat, abyste aktualizovali technologii PlayReady. Pokud aktualizaci odmítnete, nebudete mít přístup k obsahu, který tuto aktualizaci vyžaduje.**

### Důležité informace, týkající se použití videoher, počítačů, speciálních titulků nebo jiného zobrazení nepohyblivých obrázků.

- Nadměrné používání programových materiálů s nepohyblivým obrázkem může způsobit permanentní „stinový obraz“ na LCD panelu. Tento obrázek na pozadí je při normálních programech viditelný ve formě stacionárního nepohyblivého obrázku.
- Tento typ nezvratného poškození LCD/LED panelu se dá omezit dodržemím následujících kroků:
  - » Snížením nastavení jasu/kontrastu na minimální sledovatelnou úroveň.
  - » Teletext: Nesledujte stacionární stránku po delší dobu
  - » Nabídka TV/DVD, např.: Seznamy obsahů DVD disku
  - » Režim pauzy: Neopouštějte TV v režimu pauzy po dlouhý čas, např. při sledování DVD nebo videa.
  - » Vypnutí zařízení pokud se nepoužívá

### Baterie

- Při vkládání baterií dodržujte správnou polaritu.
- Nevystavujte baterie vysokým teplotám a nepokládejte je na místech, kde teplota se může rychle zvýšit, např. v blízkosti ohně nebo na přímém slunci.
- Nevystavujte baterie nadměrnému sálavému teplu, neházejte je do ohně, nerozebírejte je, a nesnažte se dobíjet nedobíjatelné. Mohly by vytečt nebo explodovat.
  - » Nikdy nepoužívejte různé typy baterií a nemíchejte nové a staré.



Cd

- » Baterie likvidujte s ohledem na životní prostředí.
- » Většina zemí EU upravuje nakládání s bateriemi zákonem.

### UPOZORNĚNÍ:

- LASEROVÝ PRODUKT TŘÍDY 1 (Pouze v případě modelů s vestavěným DVD přehrávačem) Tento štítek s upozorněním je umístěn na zadním panelu jednotky.
- TATO JEDNOTKA JE LASEROVÝ PRODUKT TŘÍDY 1. TATO JEDNOTKA POUŽÍVÁ VIDITELNÝ LASEROVÝ PAPERSEK, KTERÝ BY MOHL V PŘÍPADĚ NASMĚROVÁNÍ ZPŮSOBIT VYSTAVENÍ NEBEZPEČNĚMU ŽÁŘENÍ. UJISTĚTE SE, ŽE PŘEHRAVAČ BUDETE POUŽÍVAT SPRÁVNĚ, V SOULADU S POKYNY.
- JE-LI JEDNOTKA ZAPOJENA DO NAPÁJENÍ, NEPŘIBLIŽUJTE OČI DO BLÍZKOSTI OTVORŮ, ABYSTE SE PODÍVALI DOVNITŘ TOHOTO ZAŘÍZENÍ.
- POUŽÍVÍ OVLÁDÁNÍ NEBO NASTAVENÍ NEBO POSTUPŮ JINÝCH NEŽ JSOU ZDE SPECIFIKOVANÉ, MŮŽE MÍT ZA NÁSLEDEK VYSTAVENÍ SE NEBEZPEČNĚMU ŽÁŘENÍ.
- NEOTEVÍREJTE KRYTY ANI SAMI NEPROVÁDĚJTE OPRAVY. SERVIS PŘENECHTE KVALIFIKOVANÝM PRACOVNÍKŮM.

### Likvidace produktu

- Elektrická zařízení by neměla být likvidována společně s komunálním odpadem. Informujte se na místním úřadě nebo prodejce o správné recyklaci zařízení.



### Prohlášení CE:

- Společnost UMC Poland Sp. z o.o. tímto prohlašuje, že tato LED TV odpovídá základním požadavkům a ostatním relevantním ustanovením směrnice RED 2014/53/EU. [www.sharpconsumer.eu/documents-of-conformity/](http://www.sharpconsumer.eu/documents-of-conformity/)  
Plné znění prohlášení o souladu je k dispozici na následujícím odkazu [www.sharpconsumer.eu/documents-of-conformity/](http://www.sharpconsumer.eu/documents-of-conformity/)  
Toto zařízení může být provozováno ve všech zemích EU. Maximální výkon vysílače Wi-Fi: 100 mW při 2,412 GHz – 2,472 GHz



## Co je v balení

### Balení obsahuje následující součásti:

- |                        |  |
|------------------------|--|
| • 1 x TV               | • 1 x instalační sada pro stojan   |
| • 1 x dálkové ovládání | • 1x Stručný návod k použití   |
| • 2 x baterie AAA      | • 1x sada pro montáž na stěnu<br>(4x šroubek M6x35 a 4x<br>plastová rozpěrka)* |

\* - Pouze pro modely 50"

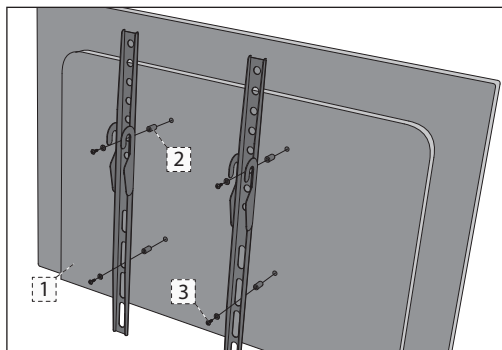
## Montáž stojanu

Postupujte dle pokynů v technickém letáku, který naleznete v sáčku s příslušenstvím.

## Montáž TV na stěnu

1. Vymějte čtyři šrouby, které se nachází v otvorech pro montáž na stěnu.
2. Držák na stěnu lze snadno připojit k montážním otvorům v zadní části TV.
3. Na televizi nasadte závěs k montáži na stěnu, tak, jak je doporučeno výrobcem.

Při připevňování konzoly na modely o velikosti 50" doporučujeme namísto šroubků v otvorech pro připevnění TV na stěnu použít delší šroubky a rozpěrky, které jsou součástí balíčku s příslušenstvím. Vložte rozpěrky do otvorů pro připevnění TV na stěnu (nachází se na zadní straně TV), a poté na ně nasadte konzole. Připevněte konzole a rozpěrky na TV pomocí delších šroubků – viz níže:



1. TV
2. ROZPĚRKA
3. ŠROUBEK

**POZNÁMKA:** Typ TV a konzole zobrazený v nákrese je pouze ilustrační.

## Připojení

Připojení externích zařízení je znázorněno na poslední straně tohoto návodu.

## Začínáme – počáteční nastavení

1. S pomocí kabelu RF připojte TV do nástěnné zásuvky s TV anténou.
2. Pro připojení k internetu pomocí kabelu použijte kabel Cat 5/Ethernet (není součástí balení), který povedete z TV do vašeho modemu/routeru.
3. Vložte baterie do dálkového ovládání.
4. Napájecí kabel zapojte do zásuvky.
5. Nyní přejděte k dalším krokům konfigurace TV.
6. Po zapnutí TV vás uvítá menu **První instalace**. Jestliže se nezobrazí, stiskněte [MENU] na dálkovém ovládání, potom 8-8-8-8, zobrazí se nabídka. Pokud chcete změnit jakékoli výchozí nastavení, použijte tlačítka pro ▲/▼/◀/▶ navigaci. Menu můžete kdykoliv opustit stisknutím tlačítka [EXIT].
7. Prosím upravte zadané položky v menu **PRVNÍ INSTALACE**.

## TV tlačítka\*

**Vol+** Zvýšení hlasitosti a nabídka doprava

**Vol-** Snížení hlasitosti a nabídka doleva

**CH+** Program/Kanáal nahoru a nabídka nahoru

**CH-** Program/Kanáal dolů a nabídka dolů

**MENU** Zobrazí nabídku/OSD

**SOURCE** Zobrazí vstupní zdroj nabídky

**STANDBY** Pohotovostní zapnutí / vypnutí

\* - pro TV s tlačítky

## TV ovladač\*\*

TV ovladač se nachází ve spodním levém rohu na zadní straně TV. Můžete ho použít místo dálkového ovládání k ovládání většiny funkcí vaší TV.

**Zatímco je TV v pohotovostním režimu:**

- krátké stisknutí ovladače - Zapnutí

**Během sledování TV:**

- DOPRAVA/DOLEVA - zvýšení/snížení hlasitosti
- NAHORU/DOLŮ - změna kanálu nahoru/dolů
- krátké stisknutí - zobrazí se Menu
- dlouhé stisknutí - Pohotovostní režim O

**V menu:**

- DOPRAVA/DOLEVA/NAHORU/DOLŮ - navigace kurzoru v menu na obrazovce
- krátké stisknutí - OK/Potvrzení vybrané položky
- dlouhé stisknutí - zpět do předchozí nabídky

\* - pro TV s TV stick

## Režim výběru vstupu/zdroje

Přepínání mezi různými vstupy/připojení.

**a) Použitím tlačítek na dálkovém ovládání:**

1. Stiskněte [SOURCE/☐] – Zobrazí se zdrojová nabídka
2. Stisknutím [◀] nebo [▶] vyberte požadovaný vstup.
3. Stiskněte [OK]

**b1) Použitím tlačítek\* na televizoru:**

1. Stiskněte [SOURCE]
2. Pohybuje nahoru / dolů pomocí tlačítek VOL+/VOL- na požadovaný vstup/zdroj
3. Stisknutím [SOURCE] změníte na požadovaný vstup/zdroj.

**b2) Použití TV ovladače\*:**

1. Krátkým stisknutím přejdete do menu.
2. Stiskněte ovladač dole a kurzor nastavte na menu ZDROJE.
3. Ovladač stiskněte krátce a přejděte do menu ZDROJE.
4. Pomocí ovladače vyberte požadovaný vstup/zdroj.
5. Krátkým stisknutím ovladače provedete výběr vstupu/zdroje

\* - **volitelné**

## Navigace v TV nabídce

Do menu se dostanete stisknutím tlačítka [MENU] na dálkovém ovladači. Do nabídky se dostanete stisknutím [OK]. Chcete-li změnit jakékoli výchozí nastavení, použijte tlačítka pro ▲ / ▼ / ◀ / ▶ rolování. Jakékoli nastavení potvrdíte tlačítkem [OK]. Menu můžete kdykoliv opustit stiskem tlačítka [EXIT].

## Elektronický návod k použití

Pro spuštění Online manuálu stiskněte tlačítko [MENU] a poté zvolte **Nastavení>O televizoru>Nápověda>Zobrazit online manuál**.

## Dálkové ovládání

Viz Návod na obrazovce v TV.

## Dôležité bezpečnostné pokyny



**Prečítajte si prosím tieto pokyny. Pred používaním zariadenia by ste si mali prečítať celé bezpečnostné a prevádzkové pokyny.**

**Aby ste zabránili šíreniu požiaru, nikdy sa k tomuto výrobku nepribližujte so sviečkou alebo iným otvoreným ohňom.**



- Televizory s uhlopříčkou 43" nebo větší musí být zdvihány a přenášeny minimálně dvěma osobami.
- Tento TV neobsahuje žiadne časti opraviteľné užívateľom. V prípade poruchy kontaktujte výrobcu alebo autorizovaného servisného technika. Dotyk s určitými časťami vo vnútri TV môže ohroziť váš život. Záruka sa nevzťahuje na škody spôsobené opravou neautorizovaným personálom.
- Neodstraňujte zadnú časť prístroja!
- Tento prístroj je navrhnutý na príjem a reprodukciu signálu videa a zvuku. Akékoľvek iné použitie je prísne zakázané.
- Nevystavujte TV kvapkajúcej alebo striekajúcej kvapaline.
- Na odpojenie televízora zo zásuvky odpojte zástrčku zo zásuvky.
- Ak je napájací kábel poškodený, musí byť nahradený výrobcom, jeho servisným technikom alebo podobne kvalifikovanou osobou, aby nedošlo k úrazu.
- Odporúčaná vzdialenosť sledovania HD TV je približne trojnásobok uhlopříčkových obrazovky. Svetlo dopadajúce na obrazovku z iných zdrojov svetla môže spôsobiť odrazy a zhoršenie kvality obrazu.
- Zaisťte pre TV dostatočné vetranie a nedávajte ho príliš blízko k iným zariadeniam alebo k časťami nábytku.
- Nainštalujte výrobok najmenej 5 cm od steny z dôvodu ventilácie.
- Uistite sa, že ventilačné otvory nie sú zakryté vecami ako sú noviny, záclony či utierky a pod.
- TV je navrhnutá tak, aby fungovala v miernej klíme
- TV je navrhnutá tak, aby fungovala výhradne v suchom prostredí. Ak používate TV vonku, prosím uistite sa, že je chránená proti vlhkosti (dážď, špliechajúca voda). Nikdy ju nevystavujte vlhkosti.
- Nedávajte na televízor žiadne predmety a nádoby naplnené kvapalinami, ako sú vázy, atď. Tieto nádoby by sa mohli prevrátiť, a voda by sa mohla dostať do prístroja a spôsobiť škrt. Postavte prístroj výhradne na rovnú a stabilnú povrchy. Nepokladajte žiadne predmety, ako sú noviny alebo deky, atď. na alebo pod prístroj.
- Neumiestňujte prístroj v blízkosti vykurovacích telies alebo na miesta s priamym slnečným žiarením, pretože to má negatívny vplyv na chladenie zariadenia. Akumulované teplo je pre zariadenie nebezpečné a môže vážne znížiť jeho životnosť. V záujme zabezpečenia bezpečnosti prístroja, požiadajte kvalifikovanú osobu na odstránenie nečistôt z prístroja.
- Pokúste sa predísť poškodeniu napájacieho kábla a sieťového adaptéra (ak je súčasťou balenia). Prístroj môže byť pripojený iba pomocou priloženého sieťového kábla / adaptéra.
- Búrky sú nebezpečné pre všetky elektrické spotrebiče. V prípade zasiahnutia elektrickej siete alebo anténneho rozvodu bleskom, môže dôjsť k poškodeniu zariadenia, aj keď je vypnuté. Preto by ste mali odpojiť všetky káble a konektory prístroja pred búrku.
- Na čistenie obrazovky použite iba vlhku a mäkkú handričku. Používajte iba čistú vodu, nepoužívajte saponáty a rozpušťadlá.
- Umiestnite televízor v blízkosti steny tak, aby sa zabránilo možnosti jeho pádu.

- **VÝSTRAHA** – Nikdy nedávajte televízor na nestabilné miesto. Televízor by mohol spadnúť a spôsobiť vážne poranenie osôb alebo smrť. Mnohým poraneniam (najmä deťom) môžete zabrániť pomocou aplikácie jednoduchých opatrení, ako napríklad:
  - Používajte skrinky alebo podstavce, ktoré odporúča výroba televízora.
  - Používajte iba taký nábytok, na ktorý je bezpečné dávať televízor.
  - Zaisťte, aby televízor nepresahoval cez okraj nábytku.
  - Nedávajte televízor na vysoký nábytok (napríklad skrine alebo knižnice) bez toho, aby ste ukotvili nábytok a televízor k vhodnej opore.
  - Nedávajte televízor na tkaninu alebo iné materiály, ktoré sa môžu nachádzať medzi televízorom a podporným nábytkom.
  - Poučte deti o nebezpečenstvách štvierania sa na nábytok s cieľom dosiahnuť na televízor alebo jeho ovládanie.
  - Zaisťte, aby sa deti neštvierali ani neveseli na televízor.
  - Ak si uchováte a premiestnite súčasný televízor, mali by ste aplikovať rovnaké opatrenia, ako sú uvedené vyššie.
- Nižšie uvedené pokyny predstavujú bezpečnejší spôsob zaistenia televízora montážou na stenu tak, aby sa zamedzilo možnosti jeho pádu. Tým sa zabráni možnému zraneniu a jeho poškodeniu.
- Pre tento typ inštalácie budete potrebovať fixačný drôt.
  - A) Pomocou jedného/oboch horných montážnych otvorov určených pre montáž na stenu a skrutiek (skrutky sú dodávané priamo v montážnych otvoroch) pripievajte jeden koniec držiaku na televízor.
  - B) Druhý koniec držiaku pripievajte na stenu.
- Softvér na vašom televízore a OSD roztlačenie môžu byť zmenené bez predchádzajúceho upozornenia.
- Poznámka: Pri elektrostatickom výboji (ESD) môže prístroj zobrazíť nesprávnu funkciu. V takom prípade vypnite a znova zapnite televízor. Televízor bude fungovať normálne.

### Upozornenie:

- Nepoužívajte televízor priamo po vybalení. Pred jeho použitím počkajte, kým sa televízor zahreje na izbovú teplotu.
- Nikdy nepripájajte externé zariadenie k zapnutému spotrebiču. Vypnite nielen televízor, ale aj zariadenia, ktoré sú k nemu pripojené! Zapojte zástrčku do zásuvky až po pripojení externých zariadení a antény!
- Zaisťte voľný prístup k sieťovej zástrčke zariadenia
- Zariadenie nie je určené pre použitie ako počítačový monitor na pracovisku.
- Dlhodobé používanie slúchadiel pri vysokej hlasitosti môže viesť k nevrätnému poškodeniu sluchu.
- Zabezpečte správnu likvidáciu zariadenia a všetkých komponentov vrátane batérií s ohľadom na životné prostredie. V prípade pochybností, kontaktujte prosím svoj miestny úrad pre podrobnosti ohľadom recykliácie.
- Pri inštalácii zariadenia, nezabudnite, že povrchy nábytku môžu byť ošetrované rôznymi povrchovými úpravami, lakmi, leštidlami atď. Látky obsiahnuté v týchto produktoch môžu spôsobiť zničenie materiálu stola-jana zariadenia. To môže mať za následok prilepenie stojanu na povrchu nábytku, ktorý je ťažké alebo nemožné odstrániť.
- Obrazovka televízora spĺňa najprísnejšie požiadavky na kvalitu a bola niekoľkokrát dôkladne skontrolovaná na výskyt chybných bodov. Vzhľadom k technologickým vlastnostiam výrobného procesu, nie je možné odstrániť existenciu malého počtu chybných bodov na obrazovke na 100% (aj pri maximálnej starostlivosti počas výroby). Tieto chybné pixely nie sú považované za chybu zariadenia v zmysle záručných podmienok, pokiaľ ich počet nie je vyšší ako hranica vymedzená DIN normou.
- Výrobca nenesie právnu zodpovednosť za problémy súvisiace so zákazníckym servisom týkajúce sa obsahu alebo služieb tretích strán. Všetky otázky, komentáre alebo požiadavky súvisiace so servisom týkajúce sa obsahu alebo služieb tretích strán by ste mali dávať priamo poskytovateľovi príslušného obsahu alebo služby.
- Existuje celý rad dôvodov, prečo nemôžete pristupovať k obsahu alebo službám zo zariadenia, ktoré nesúvisia so samotným zariadením, vrátane (ale nie iba) výpadku napájania, pripojenia k Internetu alebo chybe pri konfigurácii zariadenia. Spoločnosť UMC Poland, jej riaditeľ, úradníci, zamestnanci, zástupcovia, dodávatelia a pobočky nenesú zodpovednosť voči vám ani žiadnej tretej strane s ohľadom na takéto chyby alebo výpadky údržby bez ohľadu na príčinu alebo či sa tomu dalo predísť.

- Všetok obsah alebo služby tretích strán prístupné cez toto zariadenie sa poskytujú v „aktuálnom stave“ a „podľa dostupnosti“ a spoločnosť UMC Poland a jej dcérske spoločnosti vám nedávajú žiadnu záruku ani pre vás nedávajú žiadne vyhlásenie, či už výslovné alebo predpokladané, vrátane (bez obmedzenia na) akýchkoľvek záruk obchodovateľnosti, neporušenia, vhodnosti na konkrétny účel alebo vrátane akýchkoľvek záruk vhodnosti, dostupnosti, presnosti, úplnosti, bezpečnosti, názvu, užitočnosti, nedostatku nedbanlivosti, absencie chýb, určenia na nepretržitú prevádzku alebo používania obsahu alebo služieb poskytovaných pre vás, alebo že obsah alebo služby budú spĺňať vaše požiadavky alebo očakávania.
- Spoločnosť „UMC Poland“ nie je zástupcom a nenesie žiadnu zodpovednosť za konanie alebo opomenutia prevádzkovateľov obsahu alebo služieb tretích strán, ani akéhokoľvek aspektu obsahu alebo služby súvisiacej s takým poskytovateľom z tretej strany.
- V žiadnom prípade nebude spoločnosť „UMC Poland“ a/alebo jej dcérske spoločnosti niesť zodpovednosť voči vám ani žiadnej tretej strane za žiadne priame, nepriame, zvláštne, náhodné, trestné, následné alebo iné škody, bez ohľadu na to, či teória zodpovednosti je založená na zmluve, delikte, nedbalosti, porušení záruky, prísnej zodpovednosti alebo inak, a či spoločnosť UMC Poland a/alebo jej dcérske spoločnosti boli upozomené na možnosť vzniku takýchto škôd.
- **Tento produkt obsahuje technológiu, ktorá podlieha určitým právam duševného vlastníctva spoločnosti Microsoft. Používanie alebo distribúcia tejto technológie mimo tohto produktu sú bez príslušných licencií od spoločnosti Microsoft zakázané.**
- **Vlastníci obsahu používajú technológiu prístupu k obsahu Microsoft PlayReady™ na ochranu svojho duševného vlastníctva vrátane obsahu chráneného autorskými právami. Toto zariadenie využíva technológiu PlayReady na prístup k obsahu chránenému technológiou PlayReady a/alebo obsahu chránenému WMDRM. Ak zariadenie nedokáže správne presadiť obmedzenia týkajúce sa používania obsahu, vlastníci obsahu môžu od spoločnosti Microsoft vyžadovať, aby zrušila schopnosť zariadenia konzumovať obsah chránený technológiou PlayReady. Zrušenie by nemalo mať vplyv na nechránený obsah ani obsah chránený inými technológiami prístupu k obsahu. Vlastníci obsahu môžu vyžadovať, aby ste inovovali technológiu PlayReady na to, aby ste získali prístup k ich obsahu. Ak odmietnete inováciu, nebudete mať prístup k obsahu, ktorý vyžaduje inováciu.**

## Dôležité informácie, týkajúce sa použitia videohiev, počítačov, špeciálnych tlačiek alebo iného zobrazenia nepohyblivých obrázkov.

- Nadmerné používanie programových materiálov s nepohyblivým obrázkom môže spôsobiť permanentný „tieňový obraz“ na LCD paneli (niekedy nesprávne označovaný ako „vypálený obraz“). Tento obrázok na pozadí je pri normálnych programoch viditeľný vo forme stacionárneho nepohyblivého obrázka. Tento typ nevratného poškodenia LCD/LED panelu sa dá obmedziť dodržaním nasledovných krokov:
- Znížením nastavenia jasú/kontrastu na minimálnu sledovateľnú úroveň.
- Nezobrazovaním nepohyblivého obrázku po dlhú dobu. Vyhnite sa zobrazovaniu:
  - » Zobrazenie času a stacionárnych stránok Teletextu
  - » TV/DVD menu, napr. Zoznamy obsahov DVD disku
  - » Režim pauzy; Neponechávejte TV v režime pauzy po dlhú dobu, napr. pri sledovaní DVD alebo videa.
  - » Vypnutím prístroja ak ho nepoužívate

## Batérie

- Pri vkladaní batérií dodržiavajte správnu polaritu.
- Nevystavujte batérie vysokým teplotám a nenechávajte ich na miestach, kde by teplota mohla prudko vzrásť, napr. v blízkosti ohňa alebo na priamom slnku.
- Nevystavujte batérie nadmernému sálavému teplu, nehádzte ich do ohňa, nerozoberajte ich, a nepokúšajte sa nabíjať nenabíjateľné batérie. Mohli by vytiecť alebo explodovať.

- » Nepoužívajte spolu rôzne typy batérií, ani nemiešajte staré batérie s novými.
- » Batérie likvidujte spôsobom priateľským k životnému prostrediu.
- » Vo väčšine krajín EÚ je spôsob likvidácie batérií regulovaný.

## UPOZORNENIE:

- LASEROVÝ VÝROBOK TRIEDY 1 (Týka sa modelov so zabudovaným prehrávačom diskov DVD). Tento štítok s upozornením sa nachádza na zadnom paneli prístroja.
- TENTO PRÍSTROJ JE LASEROVÝ VÝROBOK TRIEDY 1. TENTO PRÍSTROJ POUŽÍVA VIDITEĽNÝ LASEROVÝ LÚČ, KTORÝ MÔŽE PRI URČITOM NASMEROVANÍ SPŮSOBIŤ NEBEZPEČNÉ VYSTAVENIE SA VÝŽAROVANIU. OBSLUHUJTE PREHRÁVAČ SPRÁVNE PODĽA POKYNOV.
- KEĎ JE TENTO PRÍSTROJ ZAPOJENÝ DO ELEKTRICKEJ ZÁSUVKY, NEPOZERAJTE SA V BLÍZKOSTI OTVOROV DO VNÚTRA TOHTO PRÍSTROJA.
- POUŽITIE OVLÁDANIA, ÚPRAV ALEBO VYKONANIE INÝCH POSTUPOV AKO SÚ TU UVEDENÉ MÔŽE SPŮSOBIŤ NEBEZPEČNÉ VYSTAVENIE SA VÝŽAROVANIU.
- NEOTVÁRAJTE KRYTY ANI SAMI NEOPRAVUJTE. OPRAVY PRENECHAJTE KVALIFIKOVANÝM OSOĎAM.

## Likvidácia

- Elektrické a elektrotechnické zariadenia a batérie sa nesmú likvidovať s domácim odpadom. Vráťte ich na určené zberné miesto pre recykláciu OEEZ. Týmto prispějete k šetreniu zdrojov a ochrane životného prostredia. Kontaktujte vášho predajcu alebo miestne úrady pre viac informácií.



## Prehlásenie CE:

- Týmto spoločnosť UMC Poland Sp. z o.o. prehlasuje, že tento LED televízor spĺňa základné požiadavky a iné dôležité opatrenia smernice RED 2014/53/EU. [www.sharpconsumer.eu/documents-of-conformity/](http://www.sharpconsumer.eu/documents-of-conformity/). Úplné znenie vyhlásenia o zhode EÚ je k dispozícii na stránke [www.sharpconsumer.eu/documents-of-conformity/](http://www.sharpconsumer.eu/documents-of-conformity/). Toto zariadenie možno používať vo všetkých krajinách EÚ. Maximálny výkon vysielača Wi-Fi: 100 mW pri 2,412 GHz – 2,472 GHz



## Čo sa nachádza v balení

### Balenie obsahuje nasledovné súčasti:

- |                         |   |
|-------------------------|---|
| • 1x TV                 | • 1x Inštallačná sada stojanu TV  |
| • 1x Diaľkové ovládanie | • 1x Stručná príručka   |
| • 2x AAA batérie        | • 1x súprava montáže na stenu (4x skrutky M6x35 a 4x plastová rozpera)* |

\* - Dostupné iba pre modely 50"

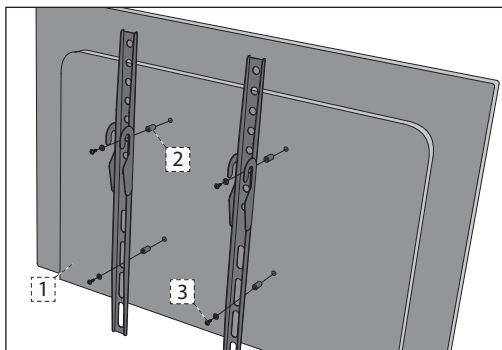
## Montáž stojanu

Postupujte podľa pokynov v technickom letáku, ktorý sa nachádza vo vrecku s príslušenstvom.

## Montáž televízora na stenu

1. Odstráňte štyri skrutky, ktoré sú dodané v otvoroch montáže na stenu.
2. Držiak na upevnenie na stenu môžete teraz jednoducho pripojiť k otvorom na montáž v zadnej časti televízora.
3. Nainštalujte držiak na montáž na stenu na televízor tak, ako to odporúča výrobca držiaka.

Pri montáži nástenných konzol na model 50" odporúčame namiesto skrutiek dodaných v otvoroch na montáž TV na stenu použiť dlhšie skrutky a rozpery dodané v baliku s príslušenstvom. Dajte rozpery do otvorov na montáž TV na stenu, ktoré sa nachádzajú v zadnej časti TV, potom na ne dajte nástenné konzoly. Pripojte konzoly a rozpery k TV pomocou dlhších skrutiek tak, ako je to zobrazené nižšie:



1. TV
2. ROZPERA
3. SKRUTKA

**POZNÁMKA:** TV a typ nástennej konzoly zobrazené na diagrame slúžia len na ilustráciu.

## Pripojenia

Pripojenie externých zariadení nájdete na poslednej strane v tomto návode.

## Začíname – počiatočné nastavenie

1. Pomocou VF kábla pripojte televízor k zásuvke televíznej antény.
2. Na pripojenie k Internetu pomocou káblového pripojenia pripojte ethernetový kábel kategórie 5 (nie je v balení) z televízora k širokopásmovému modemu/smerovaču.
3. Dodané batérie vložte do diaľkového ovládača.
4. Pripojte napájací kábel k elektrickej zásuvke.
5. Potom pokračujte ďalšími krokmi na konfiguráciu televízora.
6. Po zapnutí televízora vás privíta ponuka **Prvá inštalácia**. Ak sa nezobrazí, stlačte prosím na diaľkovom ovládači [MENU] a potom 8-8-8 a menu sa zobrazí. Ak chcete zmeniť akékoľvek predvolené nastavenie, použite tlačidlá pre ▲/▼/◀/▶ navigáciu. Menu môžete kedykoľvek opustiť stlačením tlačidla [EXIT].
7. **Prosím, upravte si nasledovné položky v obrazovke ÚVODNÝCH NASTAVENÍ.**

## TV tlačidlá\*

**Vol+** Zvýšenie hlasitosti a menu doprava

**Vol-** Zníženie hlasitosti a menu doľava

**CH+** Program/Kanáľ nahor a menu nahor

**CH-** Program/Kanáľ nadol a menu nadol

**MENU** Zobrazenie Menu/OSD

**SOURCE** Zobrazí menu vstupov

**STANDBY** Pohotovostné zapnutie / vypnutie

\* - pre televízor s tlačidlami

## Tyčka\* ovládania televízora

Tyčka ovládania televízora sa nachádza v ľavom dolnom rohu na zadnej strane televízora. Môžete ju použiť namiesto diaľkového ovládača na ovládanie väčšiny funkcií televízora.

**Keď je televízor v pohotovostnom režime:**

- krátke stlačenie tyčky ovládania – zapnutie

**Počas sledovania televízora:**

- DOPRAVA/DOLAVA – zvýšenie/zníženie hlasitosti
- HORE/DOLE – zmena kanála hore/dole
- krátke stlačenie – zobrazenie ponuky
- dlhé stlačenie – zapnutie pohotovostného režimu

**Keď ste v ponuke:**

- DOPRAVA/DOLAVA/HORE/DOLE – navigácia kurzora v ponukách na obrazovke
- krátke stlačenie – OK/Potvrdenie vybranej položky
- dlhé stlačenie – späť na predchádzajúcu ponuku

\* - pre televízor s tyčkou ovládania

## Voľba režimu vstup/zdroj

Prepínanie medzi rôznymi vstupmi / pripojeniami.

**a) Použitím tlačidiel na diaľkovom ovládači:**

1. Stlačte [SOURCE/☐] – Zobrazí sa menu vstupov.
2. Stlačením [◀] alebo [▶] si vyberete požadovaný vstup.
3. Stlačte [OK].

**b1) Použitím tlačidiel\* na televízore:**

1. Stlačte [SOURCE].
2. Posúvanie nahor / nadol pomocou tlačidiel VOL+/VOL- na požadovaný vstup/zdroj

3. Stlačením [SOURCE] zmeníte vstup/zdroj na zvolený.

#### **b2) Používanie tyčky\* ovládania televízora:**

1. Krátkym stlačením tyčky ovládania prejdite do ponuky.
2. Stlačte tyčku ovládania dole a prejdite kurzorom na ponuku SOURCES (ZDROJE).
3. Krátkym stlačením tyčky ovládania prejdite do ponuky SOURCES (ZDROJE).
4. Pomocou tyčky ovládania vyberte požadovaný vstup/zdroj.
5. Krátkym stlačením tyčky ovládania zmeníte vstup/zdroj na vybraný vstup/zdroj.

\* - **voliteľné**

## TV menu navigácia

Do menu sa dostanete stlačením tlačidla [MENU] na diaľkovom ovládači.

Do ponuky sa dostanete stlačením [OK]. Ak chcete zmeniť akékoľvek predvolené nastavenie, použite tlačidlá pre ▲/▼/◀/▶ rolovanie.

Akékoľvek nastavenie potvrdíte tlačidlom [OK]. Menu môžete kedykoľvek opustiť stlačením tlačidla [EXIT].

## Elektronický návod s pokynmi

**Ak chcete spustiť on-line návod na používanie, stlačte tlačidlo [MENU] (PONUKA) a potom vyberte položky Nastavenia>O televízore>Pomocné informácie>Zobraziť on-line návod na používanie.**

## Diaľkový ovládač

**Pozrite si návod na obrazovke v televízore.**

## Fontos biztonsági óvintézkedések



**Kérjük, olvassa el ezeket a biztonsági utasításokat!**  
**A készülék használata során tartsa tiszteltben**  
**a következő figyelmeztetéseket:**

**Tűzesetek megelőzése**  
**érdekében soha ne helyezzen**  
**gyertyákat vagy más nyílt**  
**lángot a termék közelébe.**



- A 43" vagy nagyobb képátjólú TV-készülékeket mindig legalább két embernek kell megemelnie és hordoznia.
- A TV nem rendelkezik a felhasználó által javítható részegységekkel. Meghibásodás esetén forduljon a gyártóhoz, vagy a hivatalos márkaszervizhez. A TV egyes belső alkatrészeinek megérintése életveszélyes lehet. A garancia nem terjed ki a jogosulatlan harmadik felek által végzett szervizelésekből eredő hibákra.
- Ne távolítsa el a készülék hátsó borítását!
- Ezt a készüléket videó- és hangjelek fogadására és megjelenítésére tervezték. Minden más felhasználás szigorúan tilos!
- Ne érje a TV-készüléket csöpögő vagy fröccsenő folyadékkal!
- A TV elektromos hálózatról történő eltávolításához húzza ki a csatlakozót a konnektorból.
- Ha a tápkábel sérült, a balesetek elkerülése érdekében ki kell cseréltetni azt a gyártóval, a szervizzel vagy más, megfelelően képzett szakemberrel.
- A HD TV-k ajánlott tévénézési távolsága kb. a képernyő magasságának ötszöröse. Más fényforrások képernyőn való tükröződése rontja a képminőséget.
- Győződjön meg róla, hogy a TV megfelelő szellőzése biztosított, és nincs túl közel más készülékekhez vagy bútorokhoz.
- A megfelelő szellőzés érdekében helyezze a készüléket legalább 5 cm-re a falról.
- Győződjön meg róla, hogy a készülék szellőző nyílásait nem takarja le semmi, így különösen újságpapír, terítő, függöny vagy más tárgy.
- A TV készüléket mérsékelt éghajlaton való használatra tervezték.
- A TV készüléket kizárólag száraz helyen történő használatra tervezték. Ha a TV-t a szabadterén használja, kérjük, különösen ügyeljen rá, hogy ne érje nedvesség (eső, fröccsenő víz) a készüléket. Soha ne érje nedvesség a készüléket!
- Ne helyezzen semmilyen folyadékkal töltött tárgyat, edényt (pl. vázát) a TV-re. Az ilyen edények leeshetnek, és veszélyeztethetik az elektromos biztonságot. A TV kizárólag lapos és stabil felületre helyezze. Ne tegyen semmilyen tárgyat, például újságpapírt vagy takarót a TV-készülék alá vagy rá.
- Ellenőrizze, hogy a készülék nem áll semmilyen elektromos vezetéken. A vezetékek megsérülhetnek. Mobiltelefonok, illetve más, vezeték nélküli jelátvitelt alkalmazó eszközök (például WLAN adapterek, megfigyelő kamerák) elektromágneses interferenciát okozhatnak. Ne helyezze őket a TV-készülék közelébe.
- Ne helyezze a készüléket fűtőtestek közelébe, vagy olyan helyre, ahol közvetlen napfény éri. Az ilyen elhelyezés negatív hatással van a készülék hűtésére. A túlmelegedés veszélyes lehet, és jelentősen csökkentheti a készülék élettartamát. Biztonsága érdekében forduljon szakemberhez, aki eltávolítja a készülékben lerakódott szennyeződéseket.

- Ügyeljen rá, hogy a készülék hálózati kábele és hálózati adaptere ne sérüljön meg. A készüléket csak a mellékelt hálózati kábellel / adapterrel csatlakoztatható.
- Viharok veszélyt jelentenek minden elektromos készülékre. Ha villámcsapás éri a hálózati kábelt vagy az antennát, a készülék kikapcsolt állapotban is megsérülhet. Vihar esetén húzza ki a készülék minden kábelét és csatlakozóját.
- A készülék képernyőjének tisztításához csak nedves, puha törlőrongyot használjon. Tisztításhoz csak tiszta vizet használjon. Ne használjon tisztítószereket vagy oldószereket!
- A TV-t helyezze közel a falhoz, megelőzve így a véletlen lelékés okozta leesését.
- FIGYELMEZTETÉS - Soha ne helyezze a tévékészüléket instabil helyre. A TV-készülék leeshet és súlyos személyi sérülést, halált okozhat. Számos sérülés (különösen gyerekek esetében) elkerülhető az alábbi egyszerű óvintézkedések megtételével:
- A tévékészülék gyártója által ajánlott állványt és asztalt használja.
- Csak olyan bútorra használjon, ami biztonságosan elbirja a TV-készüléket.
- Győződjön meg róla, hogy a tévékészülék nem lóg túl az állványként használt bútor szélein.
- Ne helyezze a TV-készüléket magas bútorra (pl. szekrényre vagy könyvespolcra) anélkül, hogy a bútor és a készülék is megfelelően rögzítene egy stabil ponthoz.
- Ne helyezze a TV-készüléket textilre vagy más, a TV és az állványként használt bútor közötti anyagra.
- Figyelmeztesse a gyerekeket a TV vagy kezelőszervei elérése miatt történő bútorra mászás veszélyeiről.
- Ügyeljen rá, hogy a gyerekek ne masszsanak fel a készülékre vagy lógnak róla.
- Ha korábbi tévékészülékét megtartja és áthelyezi, a fentiekben leírt biztonsági szabályokat a készülék esetében is tartsa be.
- A TV alábbi ábrán látható módon történő falhoz rögzítése biztonságos megoldás, és ezáltal elkerülhető a készülék előre történő leesése miatt okozott sérülések és károk.
- Az ilyen típusú elhelyezéshez szükséges egy rögzítő kábel.  
 A) Az egyik vagy mindkét falra rögzítésre való felső lyukat és csavarokat (a csavarok már a falra szerelésre készített lyukakban vannak) használva rögzítse a rögzítő kábel egyik végét a TV-hez.  
 B) A rögzítő kábel másik végét erősítse a falhoz.
- TV-készüléke szoftverre és OSD megjelenése előzetes értesítés nélkül is megváltoztatható.
- Megjegyzés: Elektrosztatikus kisülés (ESD) esetén a készülék helytelenül működhet. Ilyen esetben kapcsolja ki a TV-t, majd kapcsolja vissza. A TV rendszeren fog működni.

### Figyelmeztetés:

- Ne használja a TV-t közvetlenül a kicsomagolás után. Használat előtt várja meg, amíg a TV átveszi a szoba hőmérsékletét.
- Soha ne csatlakoztassa külső eszközöket a bekapcsolt készülékhez! Kapcsolja ki a TV-t és a csatlakoztatni kívánt külső eszközt is! A külső eszközök és az antenna csatlakoztatása után dugja a TV hálózati csatlakozóját a fali aljzatba!
- Mindig győződjön meg róla, szabadon hozzáfér a TV hálózati csatlakozójához.
- A készülék nem alkalmas monitorokkal felszerelt munkahelyen történő használatra.
- Fejhallgató magas hangerővel történő rendszeres használata maradandó halláskárosodást okozhat.
- Ügyeljen a készülék, és alkatrészei, illetve az elemek környezetbarát módon történő kiselejtezésére. Ha a hulladék elhelyezéssel kapcsolatban kétségei vannak, kérjük, lépjen kapcsolatba a helyi hatóságokkal az újrahasznosítás helyi módját illetően.
- A készülék elhelyezésekor ne feledkezzen meg arról, hogy a bútorok felületét különböző lakkokkal kezelik, vagy műanyag borítással látják el őket, vagy esetleg felcsiszolják. Az ezekben a bútorokban lévő vegyi anyagok reakcióba léphetnek a TV állvánnyal. Ez azt eredményezheti, hogy

az állvány anyagának darabkái a bűtor felületére ragadhatnak, amelyeket nehéz, vagy egyenesen lehetetlen eltávolítani.

- A TV-készüléke képernyőjét csúcsmínőségű körülmények között gyártották, és többször alaposan ellenőrizték, hogy rendelkezik-e hibás pixelekkel. A gyártási folyamat technológiai tulajdonságai miatt nem lehetséges teljesen kizárni a képernyő hibás pontjainak kis számban történő előfordulását (még a legnagyobb gondossággal történő gyártás esetén sem). Ezek a hibás pixelek nem minősülnek garanciális szempontból hibának, ha mértékük nem nagyobb, a DIN normában meghatározott értékénél.
- A gyártó nem vállal felelősséget az ügyfélnek nyújtott szolgáltatással kapcsolatos olyan problémákért, amelyek külső fél tartalmához vagy szolgáltatásához kapcsolódnak. A harmadik fél tartalmához vagy szolgáltatásához kapcsolódó minden kérdést, hozzászólást vagy kérést közvetlenül a hatályos tartalom vagy szolgáltatás szolgáltatójához kell címezni.
- Különböző, magától az eszköztől független okok vannak, ami miatt nem lehet elérni a szolgáltatást vagy tartalmat az eszköztől, mint például az áramszünet, Internet-kapcsolat hiánya, vagy az eszköz nem megfelelő beállítása. A UMC Poland vállalat, a vállalat vezetői, alkalmazottai, képviselői, alvállalkozói és partnerei nem vállalnak felelősséget önnel vagy másik féllel szemben az ilyen hibák vagy karbantartás miatti leállások tekintetében, függetlenül azok okától vagy hogy ezek elkerülhetők lettek volna.
- Minden, az eszközön keresztül elérhető, harmadik fél általi tartalmat vagy szolgáltatást "ahogy van" és "amikor van" alapon szolgáltatnak, és az UMC Poland és partnerei semmilyen közvetett vagy közvetlen garanciát nem vállalnak az értékesíthetőségre, a szerzői jogok betartására, egy adott célra való alkalmasságra, rendelkezésre állásra, pontosságra, teljességre, biztonságra, névre, használhatóságra, hanyag kezelésre, vagy a tartalom vagy szolgáltatás hibamentes vagy megszakítás nélküli kezelésére vagy használására vonatkozóan, feltételezve azt, hogy a tartalom vagy szolgáltatás megfelel az ön követelményeinek vagy elvárásainak.
- Az "UMC Poland" nem egy ügynök és nem vállal felelősséget harmadik fél által nyújtott tartalomért vagy szolgáltatásért, illetve ennek a tartalomnak vagy szolgáltatásnak semmilyen vonatkozásáért.
- Az "UMC Poland" és/vagy partnerei semmilyen esetben sem vállalnak felelősséget önnel vagy harmadik féllel szemben valamilyen közvetett, közvetlen, különös, véletlen, büntetőjogi, eredő vagy egyéb kárért, függetlenül attól, hogy a felelősség jellege szerződésen, hasznásgon, garancia megszegésén, szigorú felelősségen vagy más módon alapul-e, és hogy az UMC Poland és/vagy partnerei kaptak-e tájékoztatást az ilyen károk eshetőségéről vagy nem.
- **Ez a termék olyan technológiát tartalmaz, ami a Microsoft szellemi tulajdonjogát képezi. A technológia jelen terméken kívüli használata vagy terjesztése tilos a Microsoft megfelelő licence(i) nélkül.**
- **A tartalomtulajdonosok a Microsoft PlayReady™ tartalomlelési technológiájával védik szellemi tulajdonukat, beleértve a szerzői joggal védett tartalmakat. Ez a készülék a PlayReady technológiát használja a PlayReady által védett tartalom és/vagy WMDRM által védett tartalom eléréséhez. Ha az eszköz nem képes megfelelően érvényesíteni a tartalom használatára vonatkozó korlátozásokat, a tartalomtulajdonosok kérhetik a Microsoft-ot, hogy vonja vissza a készülékbe épített PlayReady védelmi tartalom lejátszhatóságát. A visszavonás nem érintheti a nem tartalomvédelmet, illetve a más tartalomvédelmi technológiával védett tartalmakat. A tartalomtulajdonosok igényelhetik Öntől, hogy frissítse a PlayReady-t tartalmai eléréséhez. Ha elutasítja a frissítést, akkor nem lesz képes elérni a frissítést igénylő tartalmakat.**

**Fontos információk a videojátékok, számítógépek, feliratok és más rögzített képek megjelenítésére alkalmas eszköz használatával kapcsolatban.**

- Állóképeket tartalmazó anyagok hosszú ideig történő használatára "árnyképet" eredményezhet az LCD képernyőn (helytelenül ezt a jelenséget nevezik gyakran "a képernyő kiégésének"). Ez az árnykép

a továbbiakban mindig látható lesz a háttérben a képernyőn. Ez egy maradóndó károsodás. Elkerülheti az ilyen jellegű károsodást az alábbi utasítások követésével:

- Csökkentse a fényerő / kontraszt beállítást a legkisebb látható szintre.
- Ne jelenítsen meg hosszú ideig rögzített állóképeket. Kerülje az alábbiak megjelenítését:
  - » Teletext idő és táblázatok,
  - » TV/DVD menü, pl. DVD tartalomjegyzék,
  - » „Szünet” üzemmódban (hold): Ne használja ezt az üzemmódot hosszú ideig, például DVD vagy videó tartalmak nézése közben.
  - » Kapcsolja ki a készüléket, ha nem használja.

**Elemek**

- Az elemek behelyezésekor ügyeljen a helyes polarításra.
- Ne tegye ki az elemeket magas hőmérsékletnek, és ne tegye őket olyan helyre, ahol a hőmérséklet gyorsan növekedhet, pl. tűz közelében vagy közvetlen napsütésen.
- Ne tegye ki az elemeket magas sugárzó hőnek, ne dobja őket tűzbe, ne szedje szét őket, és ne próbálja meg újratölteni a nem újratölthető elemeket. Az elemek szivároghatnak vagy felrobbanhatnak.
  - » Soha ne használjon különböző elemeket együtt, és ne keverjen új elemeket régiekkel.
  - » A használt elemeket a környezetvédelmi előírásoknak megfelelően selejtezze ki.
  - » A legtöbb EU tagországban törvény szabályozza az elemek ártalmatlanításának módját.



**VIGYÁZAT:**

- 1. LÉZEROSZTÁLYBA SOROLT TERMÉK (A beépített DVD-lejátszóval rendelkező modellekre érvényes). Ez a figyelmeztető címke a készülék hátlapján található
- EZ A KÉSZÜLÉK AZ 1. LÉZEROSZTÁLYBA SOROLT TERMÉK, EZ A KÉSZÜLÉK LÁTHATÓ LÉZERSUGÁRAT HASZNÁL, AMI KÖZVETLENÜL VESZÉLYES SUGÁRTERHELÉST OKOZHAT. A LEJÁTSZÓT MINDIG AZ ÚTMUTATÓ SZERINT HASZNÁLJA.
- HA A KÉSZÜLÉK BE VAN DUGVA A FALI CSATLAKOZÓBA, NE NÉZZEN KÖZELRŐL A KÉSZÜLÉK NYÍLÁSAIN KERESZTÜL AZ EGYSÉG BELSEJÉBE.
- AZ ITT KÖZÖLT TŐL ELTÉRŐ KEZELŐSZERVEK HASZNÁLATA, VÁLTOZTATÁSOK VAGY MŰVELETEK VÉGREHAJTÁSA VESZÉLYES SUGÁRTERHELÉST OKOZHAT.
- NE NYISSA FEL A KÉSZÜLÉKET ÉS NE PRÓBÁLJA MAGA MEGJAVÍTANI! FORDULJON HÍVATÁSOS SZERELŐHÖZ.

**Ártalmatlanítás**

- Ne dobja a TV-t a háztartási hulladék közé. Vigye a kiselejtezett készüléket a kijelölt újrahasznosító gyűjtőhelyre. Ezzel segíti az erőforrások megővését és a környezet védelmét. Bővebb információért forduljon a forgalmazóhoz vagy a helyi hatóságokhoz.



**CE nyilatkozat:**

- Az alábbiakban az UMC Poland Sp. z o.o. kijelenti, hogy ez a LED TV megfelel az RED 2014/53/EU irányelv alapvető követelményeinek és más hatályos előírásoknak. [www.sharpconsumer.eu/documents-of-conformity/](http://www.sharpconsumer.eu/documents-of-conformity/)
- Az EU megfelelőségi nyilatkozat teljes szövege az alábbi linken keresztül érhető el: [www.sharpconsumer.eu/documents-of-conformity/](http://www.sharpconsumer.eu/documents-of-conformity/)
- Jelen berendezés az EU összes országában működtethető.
- Wi-Fi maximális adóteljesítmény: 100 mW a 2,412 GHz – 2,472 GHz tartományban



## A doboz tartalma

### A készülékhez az alábbi tartozékokat mellékeltek:

• 1x TV	• 1x TV állvány szerelő csomag
• 1x Távirányító	• 1x Gyors üzembe helyezési útmutató
• 2x AAA méretű elemek	• 1x Fali rögzítő készlet (4x M6x35 csavar és 4x műanyag távtartó)*

\* - Csak az 50"-es képátlójú modelleknél található meg.

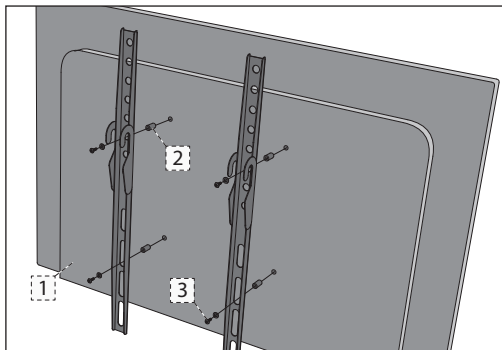
## Az állvány rögzítése

Kérjük, kövesse a tartozékok tasakban található műszaki leírás útmutatásait.

## A TV falra szerelése

1. Távolítsa el a fali rögzítésre szolgáló lyukakban található négy csavart.
2. A fali konzol így már hozzáerősíthető a TV hátulján található rögzítő lyukakhoz.
3. Erősítse a fali konzolt a televízió hátuljára a konzol gyártójának utasításai szerint.

Ha a fali konzolt egy 50"-es modelle erősíti fel, a TV fali rögzítő nyílásaiban található csavarok helyett javasoljuk, hogy a tartozékok között megtalálható hosszabb csavarokat és távtartókat használja. Helyezzen távtartókat a TV hátulján található fali rögzítő nyílásaiba, majd helyezze rájuk a fali konzolt. Az alábbi ábrán látható módon erősítse a konzolokat és a távtartókat a TV-hez a hosszabb csavarok segítségével:



1. TV
2. TÁVTARTÓ
3. CSAVAR

**MEGJEGYZÉS:** Az ábrán látható TV és fali konzol típus kizárólag szemléltetésre szolgál.

## Csatlakoztatások

Külső készülékek csatlakoztatását lásd a jelen útmutató utolsó oldalán.

## Kezdeti lépések - az első beállítás

1. Az RF kábel használatával csatlakoztassa a TV-készüléket a fali TV-antenna aljzathoz.
2. Az Internethez való vezetékes csatlakozathoz csatlakoztasson egy Cat 5/ Ethernet vezetéket (nem tartozék) a TV-készülék és a nagysebességű modem vagy router közé.
3. Tegye be a készülékhez mellékelt elemeket a távirányítóba.
4. Dugja be a tápvezetéket az elektromos csatlakozóba.
5. Most folytassa a következő lépésekkel a TV további beállításaihoz.
6. Miután bekapcsolta a TV-t, a **Első beüzemelés** menü köszönti Önt. Ha nem jelenne meg, kérjük, nyomja meg a távirányítón a [MENU] gombot, majd a 8-8-8-8 számokat és a menü megjelenik. Ha meg szeretné változtatni bármelyik alapértelmezett beállítást, használja a ▲/▼/◀/▶ léptetés gombokat. A menüből való kilépéshez nyomja meg az [EXIT] gombot.
7. **Végezze el a kívánt beállításokat az ELSŐ HASZNÁLAT képernyőn.**

## TV gombok\*

**VOL+** Hangerő növelés és menüben jobbra

**VOL-** Hangerő csökkentés és menüben balra

**CH+** Program/Csatorna fel és menüben fel

**CH-** Program/Csatorna le és menü le

**MENU** Menü/OSD megjelenítése

**SOURCE** A jelforrás menü megjelenítése

**STANDBY** Készenléti mód Ki/bekapcsolás

\* - **gombokkal rendelkező TV esetén**

## TV vezérlő\*

TV vezérlőt a TV hátuljának bal alsó sarkában találja. Távirányító helyett használhatja ezt az eszközt is a TV legtöbb funkciójának vezérléséhez.

### A TV készenléti módjában:

- röviden megnyomva a vezérlőt – Bekapcsolás

### TV nézés közben:

- JOBB/BAL – hangerő növelés/ csökkentés
- FEL/LE – csatornaváltás fel/le
- rövid gombnyomás – Menü megjelenítése
- hosszú gombnyomás – Készenléti módba váltás

### Menüben:

- JOBB/BAL/FEL/LE – a kurzor irányítása a képernyő menüben
- rövid gombnyomás – OK/Ki választott elem jóváhagyása
- hosszú gombnyomás – Visszalépés az előző menüre

\* - **vezérlővel rendelkező TV esetén**

## Bemeneti mód/jelforrás kiválasztása

A különböző bemenetek/csatlakozók közötti választás módjai.

### A távvezérlő gombjainak használatával:

1. Nyomja meg a [SOURCE] gombot
2. Megjelenik a jelforrás menü. Nyomja meg a [◀] vagy a [▶] gombot a kívánt bemeneti forrás kiválasztásához.
3. Nyomja meg az [OK] gombot.

### b1) A televízió található gombok\* használatával:

1. Nyomja meg a [SOURCE] gombot.
2. Léptegessen fel / le a VOL+/VOL- gombokat használva a kívánt bemeneti jelforrás kiválasztásához.

3. Nyomja meg a [SOURCE] gombot a bemeneti jelforrás kiválasztottra történő cseréjére.

**b2) A TV vezérlő\* használata:**

1. Nyomja meg röviden a vezérlőt a menübe való belépéshez.
2. Nyomja meg a vezérlőt lefelé, és lépjen a kurzorral a BEMENETEK menüre.
3. Nyomja meg röviden a vezérlőt a BEMENETEK menübe való belépéshez.
4. A vezérlővel válassza ki a kívánt bemenetet/forrást.
5. A vezérlő rövid megnyomásával átválthatja a beállítást a kívánt bemenetre/forrásra.

\* - *opcionális*

## Navigáció a TV menüjében

A menü eléréséhez nyomja meg a távirányító [MENU] gombját. A menübe való belépéshez nyomja meg az [OK] gombot. Ha meg szeretné változtatni bármelyik alapértelmezett beállítást, használja a kurzor (▲/▼/◀/▶) gombokat. Bármely beállítás jóváhagyásához nyomja meg az [OK] gombot. A menüből való kilépéshez nyomja meg az [EXIT] gombot.

## Elektronikus használati útmutató

Az online kézikönyv megnyitásához nyomja meg a [MENU] gombot, majd válassza a Beállítások>TV bemutatása>Súgó>Online kézikönyv megtekintése menüpontokat.

## Távvezérlő

Lásd a TV képernyőn megjelenített útmutatóban.

## Instrucțiuni importante de siguranță



### Citiți aceste instrucțiuni de siguranță și respectați următoarele avertismente înainte de a utiliza aparatul:

**Pentru a preîntâmpina incendiile, țineți întotdeauna lumânările și alte surse de flacără deschisă departe de acest produs.**



- Ovarj televizor ne sadrži nikakve delove koje može da opravi korisnik. U slučaju greške, obratite se proizvođaču ili ovlašćenom servisnom
- Acest televizor nu conține componente ce pot fi reparate de către utilizator. În cazul unei defecțiuni, contactați producătorul sau agentul de service autorizat. Contactul cu anumite componente din interiorul televizorului vă poate pune viața în pericol. Garanția nu se extinde la defecțiuni cauzate ca urmare a reparațiilor efectuate de terți neautorizați.
- Nu demontați partea din spate a aparatului.
- Acest aparat este proiectat pentru recepționarea și reproducerea semnalelor audio și video. Orice altă utilizare este strict interzisă.
- Nu expuneți televizorul la picături sau stropi de lichide.
- Pentru a deconecta televizorul de la rețea, scoateți ștecherul din priză.
- În cazul în care cablul de alimentare este deteriorat, acesta trebuie înlocuit de către producător, un agent de service sau persoane cu calificări similare, pentru a evita pericolul.
- Distanța recomandată pentru vizionarea la un televizor HD este de aproximativ cinci ori înălțimea ecranului. Reflexiile pe ecran din alte surse de lumină pot depăși calitatea imaginii.
- Asigurați-vă că televizorul dispune de ventilație suficientă și că nu se află aproape de alte aparate și piese de mobilier.
- Instalați produsul la o distanță de cel puțin 5 cm față de perete, în vederea ventilației.
- Asigurați-vă că orificiile de ventilație nu intră în contact cu obiecte, cum ar fi ziare, fețe de masă, perdele etc.
- Televizorul este conceput pentru a fi utilizat într-un climat moderat.
- Televizorul este conceput pentru a fi utilizat exclusiv într-un loc uscat. Când utilizați televizorul la exterior, asigurați-vă că este protejat împotriva umidității (ploaie, stropi de apă). Nu îl expuneți niciodată la umiditate.
- Nu așezați obiecte, recipiente umplute cu lichide, cum ar fi vase etc. pe televizor. Aceste recipiente pot fi împinse peste margine, ceea ce ar periclita siguranța electrică. Plasați televizorul pe suprafețe orizontale și stabile. Nu așezați obiecte, cum ar fi ziare sau pățuri etc. pe sau sub televizor.
- Asigurați-vă că aparatul nu stă pe cabluri de alimentare, deoarece acestea se pot deteriora. Telefoanele mobile și alte dispozitive, cum ar fi adaptoare WLAN, camere de monitorizare cu transmisie wireless a semnalelor etc., pot cauza interferențe electromagnetice și nu trebuie așezate lângă aparat.
- Nu așezați aparatul în apropierea elementelor de încălzire sau într-un loc expus la lumină solară directă, deoarece acest lucru are un efect negativ asupra răcirii aparatului. Acumularea de căldură este periculoasă și poate reduce semnificativ durata de viață a aparatului. Pentru a garanta siguranța, rugați o persoană calificată să îndepărteze murdăria de pe aparat.

- Încercați să preîntâmpinați deteriorarea cablului sau a adaptorului de alimentare. Aparatul poate fi conectat doar cu ajutorul cablului/adaptorului de alimentare furnizat.
- Furtunile sunt periculoase pentru toate aparatele electrice. În cazul în care cablajul de alimentare sau cel al antenei este lovit de trăsnet, aparatul se poate deteriora chiar dacă este oprit. Trebuie să deconectați toate cablurile și conectorii aparatului înaintea unei furtuni.
- Utilizați doar o cârpă moale și umedă pentru a curăța ecranul aparatului. Utilizați doar apă curată, niciodată detergenți și în niciun caz solvenți.
- Poziționați televizorul aproape de perete, pentru a evita posibilitatea căderii acestuia atunci când este împins.
- AVERTISMENT - Nu așezați niciodată televizorul într-o locație instabilă. Televizorul poate cădea, cauzând vătămări corporale grave sau decesul. Multe vătămări, în special asupra copiilor, pot fi evitate adoptând măsuri simple de precauție, cum ar fi:
- Utilizați comode sau etajere recomandate de producătorul televizorului.
- Utilizați doar piese de mobilier care pot susține în siguranță televizorul.
- Asigurați-vă că televizorul nu depășește marginea piesei de mobilier pe care este așezat.
- Nu așezați televizorul pe piese de mobilier aflate la înălțime (de exemplu, dulapuri sau biblioteci) fără a ancora atât mobila, cât și televizorul pe un suport adecvat.
- Nu așezați televizorul pe o față de masă sau alte materiale ce se pot afla între televizor și piesa de mobilier pe care este așezat.
- Explicați-le copiilor pericolul pe carele presupune urcarea pe mobilier pentru a ajunge la televizor sau la comenzile acestuia.
- Asigurați-vă că copiii nu se urcă pe televizor și nu se agață de acesta.
- Dacă televizorul dvs. existent este înlocuit și mutat, trebuie să se aplice aceleași considerente de mai sus.
- Instrucțiunile prezentate mai jos reprezintă o modalitate mai sigură de instalare a televizorului, prin fixarea pe perete, care va evita posibilitatea căderii acestuia în față și posibilitatea producerii de vătămări și daune.
- Pentru acest tip de instalare, veți avea nevoie de un cordon de fixare A) Folosind una/ambelae orificii superioare de montare pe perete și șuruburile (șuruburile sunt deja furnizate în orificiile de montare pe perete), fixați un capăt al cordonului/cordoanelor de fixare la televizor. B) Fixați celălalt capăt al cordonului de fixare pe perete.
- Software-ul de pe televizor și configurația OSD pot fi modificate fără preaviz.
- Notă: În cazul descărcării electrostatice (ESD), aparatul poate prezenta semne de funcționare incorectă. În acest caz, opriți televizorul și porniți-l din nou. Televizorul va funcționa normal.

### Avertisment:

- Nu utilizați televizorul imediat după ce îl despachetați. Înainte de a utiliza televizorul, așteptați până când ajunge la temperatura camerei.
- Nu conectați niciodată dispozitive externe la un aparat sub tensiune. Opriti nu numai televizor, ci și dispozitivele pe care urmează să le conectați! Conectați ștețul televizorului la priză de perete după ce conectați dispozitivele externe și antena!
- Asigurați-vă întotdeauna că există acces liber la ștețul de alimentare al televizorului.
- Aparatul nu este conceput pentru utilizarea într-un spațiu de lucru echipat cu monitoare.
- Utilizarea sistematică a câștilor la volum ridicat poate conduce la deteriorarea ireversibilă a auzului.
- Asigurați casarea ecologică a acestui aparat și a oricăror componente ale acestuia, inclusiv bateriile. Dacă aveți dubii, contactați autoritatea locală pentru detalii referitoare la reciclare.
- În timpul instalării aparatului, nu uitați că suprafețele mobile sunt tratate cu diverse lacuri, materiale plastice etc. sau că pot fi lustruite. Substanțele chimice conținute în aceste produse pot avea o reacție chimică cu suportul televizorului. Acest lucru poate determina lipirea unor bucăți de materiale pe suprafața mobilei, care sunt dificil, dacă nu imposibil de îndepărtat.

- Ecranul televizorului a fost fabricat în condiții de maximă calitate și a fost verificat în detaliu, de mai multe ori, pentru a se depista eventualii pixeli cu erori. Din cauza proprietăților tehnologice ale procesului de fabricație, nu se poate elimina existența unui număr mic de pixeli cu erori pe ecran (clar și în condiții de atenție maximă în timpul producției). Acești pixeli cu erori nu trebuie să fie considerați a fi defecte în ceea ce privește condițiile garanției, dacă numărul lor nu este mai mare decât limitele definite prin norma DIN.
- Producătorul nu va fi responsabil sau răspunzător pentru chestiunile legate de serviciile pentru clienți care implică servicii sau conținuturi ale unor terți. Orice fel de întrebare, comentariu sau solicitare legată de conținutul sau serviciul unei terțe părți va fi adresată direct furnizorului conținutului sau serviciului respectiv.
- Există o multitudine de motive din cauza cărora să nu vă puteți accesa conținutul sau serviciile prin intermediul dispozitivului, care nu au legătură cu dispozitivul în sine; dintre acestea menționăm, fără a ne limita, căderile de curent, conexiunea la internet sau imposibilitatea de a vă configura în mod corect dispozitivul. UMC Poland, directorii, operatorii, angajații, agenții, antreprenorii și afiliații săi nu vor fi răspunzători în legătură cu astfel de defecte sau perioade de inactivitate pe care le puteți întâmpina dvs. sau orice terță parte, indiferent de cauza acestora sau de cazul în care fi putut fi evitate sau nu.
- Toate conținuturile sau serviciile aparținând terțelor părți care sunt accesibile prin intermediul acestui dispozitiv vă sunt puse la dispoziție „ca atare” și, în funcție de disponibilitate”, iar UMC Poland și afiliații săi nu eliberează niciun fel de garanție sau reprezentare, expresă sau implicită, precum garanția că produsul va fi cumpărat, garanția împotriva contrafacerii produsului, garanția că produsul este adecvat unui anumit scop, fără a ne limita la acestea, precum și orice fel de garanție legată de potrivirea, disponibilitatea, precizia, completitudinea, siguranța, denumirea, utilitatea, lipsa neglijenței, funcționarea sau utilizarea neîntreruptă sau fără eroare a conținuturilor sau a serviciilor furnizate sau garanția că serviciile sau conținuturile vor răspunde necesităților sau așteptărilor dumneavoastră.
- UMC Poland nu este un agent și nu își asumă responsabilitatea pentru acțiunile sau omisiunile furnizorilor terți de conținuturi sau servicii sau în legătură cu vreun aspect al conținuturilor sau serviciilor care au legătură cu astfel de furnizori terți.
- UMC Poland și/sau afiliații săi nu vor fi în niciun caz răspunzători în fața dumneavoastră sau a oricărei terțe părți pentru nicio daună directă, indirectă, specială, incidentă, punitivă, tangențială sau de alt fel, indiferent dacă teoria răspunderii se bazează sau nu pe un contract, un delict, neglijență, încălcarea garanției, a responsabilității limitate sau pe orice altceva și indiferent dacă UMC Poland și/sau afiliații săi au fost avertizați în legătură cu posibilitatea apariției unor astfel de daune.
- Acest produs include tehnologii supuse unor anumite drepturi de proprietate intelectuală ale Microsoft. Utilizarea sau distribuirea acestor tehnologii în afara acestui produs este interzisă fără licența (licențele) corespunzătoare de la Microsoft.**
- Proprietarii de conținut utilizează tehnologia de accesare a conținutului Microsoft PlayReady™ pentru a-și proteja drepturile de proprietate intelectuală, inclusiv conținutul protejat prin copyright. Acest dispozitiv utilizează tehnologia PlayReady pentru a accesa conținutul protejat prin PlayReady și/sau conținutul protejat prin WM-DRM. Dacă dispozitivul nu reușește să aplice în mod corespunzător restricțiile privind utilizarea conținutului, proprietarii de conținut pot avea nevoie ca Microsoft să revocă capacitatea dispozitivului de a consuma conținut protejat prin PlayReady. Revocarea nu ar trebui să afecteze conținutul neprotejat sau conținutul protejat prin alte tehnologii de accesare a conținutului. Este posibil ca proprietarii de conținut să vă solicite să faceți upgrade la PlayReady pentru a accesa conținutul lor. Dacă refuzați un upgrade, nu veți putea accesa conținutul care necesită upgrade.**

## Informații importante referitoare la utilizarea jocurilor video, a computerelor, a legendelor și a altor afișaje cu imagini fixe.

- Utilizarea prelungită a materialelor programelor cu imagini fixe poate cauza o „imagine umbră” permanentă pe ecranul LCD (denumită uneori incorect „ardere ecran”). Această imagine umbră este vizibilă apoi permanent pe ecran, în fundal. Aceasta este o deteriorare ireversibilă. Puteți evita o astfel de deteriorare urmând instrucțiunile de mai jos:
- Reduceți setarea pentru luminozitate/contrast la un nivel minim de vizualizare.
- Nu afișați imaginea fixă pe o perioadă lungă de timp. Evitați afișarea de:
  - » Timp și tabele telex,
  - » Meniu TV/DVD, de ex. conținut DVD,
  - » În modul „Pauză” (menținere): Nu utilizați acest mod o perioadă îndelungată, de ex. în timp ce vizionați un DVD sau un clip video.
  - » Opriți aparatul dacă nu îl folosiți.

## Bateriile

- Observați polaritatea corectă când introduceți bateriile.
- Nu expuneți bateriile la temperaturi ridicate și nu le așezați în locuri în care temperatura poate crește rapid, de ex. lângă foc sau în lumină solară directă.
- Nu expuneți bateriile la căldură radiantă excesivă, nu le aruncați în foc, nu le dezasamblați și nu încercați să reincarcați bateriile nereîncărcabile. Acestea pot prezenta scurgeri sau pot exploda.
  - » Nu utilizați niciodată baterii diferite împreună și nu amestecați bateriile noi cu cele vechi.
  - » Eliminați bateriile în mod ecologic.
  - » Majoritatea țărilor UE recomandă prin lege eliminarea bateriilor.

## ATENȚIE:

- PRODUS LASER CLASA 1 (Se aplică la modelele cu DVD player încorporat). Această etichetă de atenționare este amplasată pe panoul din spate al unității.
- ACEASTĂ UNITATE ESTE UN PRODUS LASER CLASA 1. ACEASTĂ UNITATE UTILIZEAZĂ UN FASCICUL LASER VIZIBIL CARE AR PUTEA CAUZA EXPUNERI PERICOLOASE LA RADIAȚII DACĂ ESTE ORIENTAT. ASIGURAȚI-VĂ CĂ UTILIZAȚI CORECT PLAYERUL, CONFORM CU INSTRUCȚIUNILE.
- ATUNCI CÂND UNITATEA ESTE CONECTATĂ LA O PRIZĂ DE PERETE, NU STAȚI CU OCHII APROAPE DE DESCHIDERI PENTRU A PRIVI ÎN INTERIORUL SĂU.
- UTILIZAREA UNOR COMENZI, REGLAJE SAU PROCEDURI DIFERITE DE CELE SPECIFICATE AICI POATE CONDUCE LA EXPUNERI PERICOLOASE LA RADIAȚII.
- NU DESCHIDEȚI CAPACELE ȘI NU REPARAȚI PE CONT PROPRIU. DISPUNEȚI EFECTUAREA OPERAȚIILOR DE SERVICE DE CĂTRE PERSONAL CALIFICAT.

## Eliminarea

- Nu eliminați acest televizor ca deșeu menajer nesortat. Returnați-l la un punct de colectare desemnat pentru reciclarea WEEE. În acest fel, veți contribui la conservarea resurselor și la protejarea mediului înconjurător. Contactați distribuitorul sau autoritățile locale pentru informații suplimentare.



## Declarație CE:

- Prin prezenta, UMC Poland Sp. z o.o. declară că acest TV LED este în conformitate cu cerințele esențiale și cu alte prevederi relevante din Directiva 2014/53/EU privind RED și recunoașterea reciprocă a conformității acestora. [www.sharpconsumer.eu/documents-of-conformity/](http://www.sharpconsumer.eu/documents-of-conformity/) Textul integral al declarației de conformitate UE este disponibil la următorul link [www.sharpconsumer.eu/documents-of-conformity/](http://www.sharpconsumer.eu/documents-of-conformity/) Acest echipament poate fi utilizat în toate țările din UE. Putere maximă transmisor Wi-Fi: 100 mW la 2,412 GHz – 2,472 GHz

## Conținutul cutiei

### Furnitura acestui televizor include următoarele componente:

- 1x televizor
- 1x pachet de instalare pentru suportul televizorului
- 1x telecomandă
- 1x Ghid de pornire rapidă
- 2x baterii AAA
- 1x Set suport de montare pe perete (4 șuruburi M6x35 și 4 distanțiere de plastic)\*

\* - Disponibil doar pentru modelele de 50"

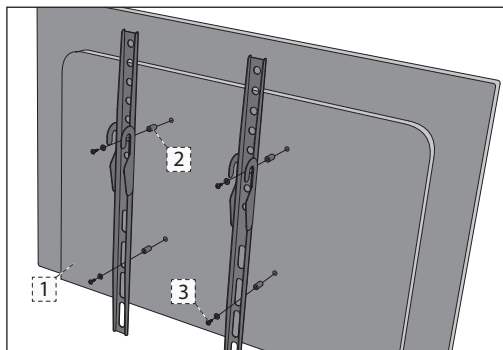
## Fixarea suportului

Urmați instrucțiunile din Manualul tehnic ce poate fi găsit în geanta cu accesoriile.

## Montajul pe perete al televizorului

1. Scoateți cele patru șuruburi prevăzute în orificiile pentru montarea pe perete.
2. Suportul de perete poate fi fixat acum cu ușurință pe orificiile de montare de pe partea din spate a televizorului.
3. Instalați suportul pentru montarea pe perete pe televizor, conform cu instrucțiunile furnizate de producătorul suportului.

Când atașați consolele suportului de montare pe perete la modelul de 50", în locul șuruburilor prevăzute în orificiile suportului de montare pe perete a televizorului, vă recomandăm să folosiți șuruburi mai lungi și distanțierele incluse în pachetul de accesorii. Așezați distanțiere în orificiile suportului de montare pe perete a televizorului amplasate pe partea din spate a televizorului, apoi așezați consolele de perete peste ele. Atașați consolele și distanțierele la televizor folosind șuruburi mai lungi, conform ilustrației de mai jos:



1. TELEVIZOR
2. DISTANȚIER
3. ȘURUB

**NOTĂ:** Televizorul și tipul de console de perete prezentate în schemă sunt oferite doar în scop exemplificativ.

## Conexiuni

Conectarea dispozitivelor externe, a se vedea ultima pagină din acest Manual de instrucțiuni.

## Introducere - instalarea inițială

1. Folosind cablul RF, conectați televizorul la priză de perete a antenei TV.
2. Pentru conectarea la internet prin cablu, conectați un cablu Cat 5/ Ethernet (care nu este inclus în pachet) de la televizor la modemul/routerul de bandă largă.
3. Introduceți bateriile furnizate în telecomandă.
4. Conectați cablul de alimentare la priză electrică.
5. Continuați acum cu pașii următori pentru a configura televizorul.
6. După ce porniți televizorul, veți fi întâmpinat de meniul **Prima instalare**. Dacă acesta nu apare, pe telecomandă, apăsați pe [MENU], apoi 8-8-8-8 și meniul va apărea. Dacă doriți să faceți modificări la setările implicite, folosiți butoanele de defilare ▲/▼/◀/▶. Pentru a ieși în orice moment din acest meniu, apăsați butonul [EXIT].
7. **Configurați setările dorite în ecranul PRIMA INSTALARE.**

## Butoane\* TV

**Vol+** Volum sus și meniu dreapta

**Vol-** Volum jos și meniu stânga

**CH+** Program/Canal sus și meniu sus

**CH-** Program/Canal jos și meniu jos

**MENU** Afișează Meniul/OSD

**SOURCE** Afișează meniul sursă de intrare

**STANDBY** Standby Pornire Activat/Dezactivat

\* - pentru televizoare cu butoane

## Stick\* de comandă a televizorului

Stickul de comandă a televizorului este amplasat în colțul din stânga jos, pe partea din spate a televizorului. Îl puteți utiliza în locul telecomenzii, pentru a controla majoritatea funcțiilor televizorului.

**Când televizorul este în modul stand-by:**

- apăsare scurtă pe stickul de comandă - Pornire

**În timp ce priviți la televizor:**

- DREAPTA/STÂNGA – mărire/micșorare volum
- SUS/JOS – trece la canalul următor/anterior
- apăsare scurtă – Afișează meniul
- apăsare lungă – Stand-by

**În timp ce vă aflați în meniu:**

- DREAPTA/STÂNGA/SUS/JOS – navigare cu cursorul în meniurile de pe ecran
- apăsare scurtă – OK/Confirmare element selectat
- apăsare lungă – Înapoi la meniul anterior

\* - pentru televizoare cu consolă de comandă

## Selecionar Modo de Entrada/Fonte

Para alternar entre as diferentes entradas/ligações.

**a) Utilização dos botões do telecomando:**

1. Carregue em [SOURCE/☐]

2. O menu de fonte aparecerea. Carregue em [◀] ou [▶] para selecionar a entrada desejada.
3. Carregue em [OK].

**b1) Utilização dos botões\* do televisor:**

1. Carregue em [SOURCE].
2. Navegue para cima / baixo usando os botões VOL+/VOL- até à entrada/fonte desejada.
3. Carregue em [SOURCE] para alterar a entrada/fonte até à selecionada.

**b2) Usar o manípulo\* de controle do televisor:**

1. Carregue brevemente no manípulo de controle para entrar no menu.
2. Carregue no manípulo de controle para baixo e navegue com o cursor para o menu FONTES.
3. Carregue brevemente no manípulo de controle para entrar no menu FONTES.
4. Com o manípulo de controle, selecione a entrada/fonte que desejar.
5. Ao carregar brevemente no manípulo de controle, irá mudar a entrada/fonte para a que selecionou.

\* - *opcional*

## Navigarea în meniul televizorului

Pentru a accesa acest meniu, apăsați butonul [MENU] pe telecomandă. Pentru a intra într-un meniu, apăsați pe [OK]. Dacă doriți să faceți modificări la setările implicite, folosiți butoanele de defilare (▲/▼/◀/▶). Pentru a confirma orice setare, apăsați butonul [OK]. Pentru a ieși în orice moment din acest meniu, apăsați butonul [EXIT].

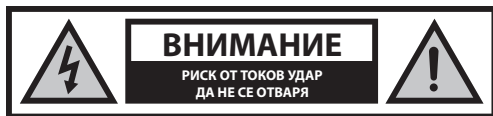
## Manual de instrucțiuni electronice

Pentru a lansa Manualul online, apăsați butonul [MENU] și apoi selectați Setări>Despre TV>Informații de asistență>Vizualizați Manualul online.

## Telecomanda

Vedeți în Manualul de pe ecran al televizorului.

## Важни инструкции за безопасност



**Преди да започнете работа с уреда, моля прочетете инструкциите за безопасност и спазвайте предупрежденията, посочени по-долу:**

**С цел предотвратяване на пожар винаги дръжте свещи или други източници на открит огън далеч от този продукт.**



- Телевизорите с екрани от 43" трябва да бъдат повдигнати и носени от поне двама души.
- Този телевизор не съдържа части, които биха могли да се поправят от потребителя. В случай на повреда се свържете с производителя или с упълномощен сервиз. Допирът до определени части, намиращи се в телевизора може да бъде опасен за живота Ви. Гаранцията не е валидна в случай на повреда вследствие на ремонти, извършвани от неупълномощени трети страни.
- Не сваляйте задната част на уреда.
- Това устройство е проектирано за получаване и възпроизвеждане на видео и звукови сигнали. Всякакъв вид друга употреба е строго забранена.
- Пазете телевизора от капещи или разливащи се течности.
- За да изключите телевизора от основното електрозахранване, моля, извадете щепсела от контакта.
- В случай че захранващият кабел бъде повреден, той трябва да бъде заменен от производителя, негов сервиз или от лице с подобна квалификация с цел да бъде избегната евентуална опасност.
- Препоръчителното разстояние за гледане на HD телевизия е приблизително диагонала на екрана, умножен по пет пъти. Отраженията върху екрана от други източници на светлина могат да влошат качеството на картината.
- Уверете се, че телевизорът е поставен на достатъчно проветриво място, както и че не е разположен в непосредствена близост до други електроуреди или домакинско обзавеждане.
- За постигане на добра вентилация, монтирайте уреда на минимално разстояние от 5 см от стената.
- Уверете се, че вентилационните отвори не са закрити от предмети, като например вестници, покривки, завеси и т.н.
- Телевизорът е проектиран за използване при умерени климатични условия.
- Той трябва да бъде използван единствено на сухи места. Когато използвате телевизора на открито, моля уверете се, че е защитен от вода (дъжд, разливаща се вода). Никога не излагайте този електроуред на вода.
- Не поставяйте никакви предмети, съдове с течности, като вази и др. върху телевизора. Те могат да бъдат бутнати, което би довело до опасност от токов удар. Поставяйте телевизора единствено върху плоски и стабилни повърхности. Не поставяйте предмети, като например вестници, покривки и т.н. върху или под телевизора.
- Уверете се, че уредът не е поставен върху захранващи кабели. Това би ги повредило. Мобилни телефони и други устройства, като безжични мрежови карти, камери за наблюдение с безжично предаване и т.н. могат да причинят електромагнитни смущения и не трябва да бъдат поставяни в близост до уреда.

- Не поставяйте телевизора в близост до уреди, източник на висока температура, както и на места с пряка слънчева светлина, тъй като това оказва отрицателно влияние върху охлаждането му. Акумулирането на топлина е опасно и може сериозно да намали живота на устройството. Обърнете се към квалифицирано лице за почистване на натрупаната мръсотия от уреда, с цел осигуряване на безопасната му работа.
- Пазете мрежовия кабел и адаптер от повреждане. Уредът може да бъде свързан единствено с предоставените мрежов кабел / адаптер.
- Бурите представляват опасност за всички електроуреди. Ако главното захранване или антената бъдат поразени от мълния, уредът може да бъде повреден дори и когато е изключен. Преди буря трябва да изключите всички кабели и конектори от устройството.
- За почистване на екрана използвайте единствено влажна и мека кърпа. Използвайте само чиста вода, никога почистващи препарати и в никакъв случай разтворители.
- Поставете телевизора в близост до стена, с цел избягване на възможността от падане, в случай че бъде бутнат.
- **ВНИМАНИЕ:** Никога не поставяйте телевизора върху нестабилно място. Той може да падне и да причини сериозно физическо нараняване или смърт. Много наранявания, особено на деца, могат да се избегнат като се предприемат следните лесни предпазни мерки:
- Използвайте шкафове или стойки, препоръчани от производителя на телевизора.
- Използвайте само мебели, които могат безопасно да служат за опора на телевизора.
- Уверете се, че телевизорът не виси над ръба на тези мебели.
- Не поставяйте телевизора върху високи мебели (напр. бюфети или етажерки) без да захванете както мебелите, така и телевизора към подходяща опора.
- Не поставяйте телевизора върху покривка или други материали, които могат да се намират между телевизора и служещите за опора мебели.
- Запознайте децата с опасността при катерене върху мебелите, за да достигнат телевизора или бутоните му.
- Уверете се, че децата не се катерят и не висят върху телевизора.
- Ако настоят Ви телевизор бъде запален и преместен, трябва да се приложат същите предпазни мерки.
- Описаните по-долу инструкции показват безопасен начин за прикръпване на телевизора към стената. По този начин могат да бъдат избегнати прекатурването му напред и причиняването на наранявания или повреди.
- За да извършите този вид монтаж, ще Ви бъде нужно въже за прикръпване.
  - А) Използвайте единия или двата дюбела, както и винтове (винтовете са приложени заедно с дюбелите), затегнете единия край на въжето за прикръпване към телевизора.
  - В) Прикрепете другия край на въжето към стената.
- Софтуерът на Вашия телевизор, както и екранното оформление могат да бъдат променени без предварително известие.
- Забележка: В случай на электростатичен разряд (ESD) уредът може да показва неправилна функция. Ако това се случи, изключете телевизора, след което го включете наново. Телевизорът ще започне да работи нормално.

### ВНИМАНИЕ:

- Не използвайте телевизора непосредствено след разопаковане. Преди да го включите изчакайте, докато се аклиматизира до стайна температура.
- Никога не свързвайте външни устройства докато телевизорът е включен. Изключвайте не само телевизора, а и устройствата, които се свързват. Включете щепсела на телевизора в контакта на стената, след като сте свързали външните устройства и кабела на антената.
- Винаги се уверявайте, че има достъп до захранващия кабел на телевизора.

- Уредът не е предназначен за употреба на работно място, оборудвано с монитори.
- Системната употреба на слушалки при висока сила на звука може да доведе до необратими увреждания на слуха.
- Уверете се, че уредът и всички негови компоненти, включително батерии, ще бъдат изхвърлени по безопасен за околната среда начин. При съмнения относно последното, се свържете с местните власти, от които ще получите повече информация за начините на рециклиране.
- При монтиране на устройството не забравяйте, че повърхностите на различните мебели обикновено са обработени с лакове, пластмаси и т.н. или са полирани. Химикалите, които се съдържат в тези продукти могат да създадат реакция с поставката на телевизора. Това може да доведе до залепване на части от материала за повърхността на мебелите, след което премахването им би било трудно или дори невъзможно.
- Екранът на Вашия телевизор е произведен при условия на най-високо качество и е неколкотократно проверяван детайлно за дефектни пиксели. Поради технологичните особености на производствения процес, пълното елиминирание на минималния брой дефектни пиксели на екрана не е възможно (дори при максимална грижа в процеса на производство). Тези дефектни пиксели не се считат за дефекти, по отношение на гаранционните условия, в случай че техния брой не надвишава границите, определени в стандарта DIN.
- Производителят не носи отговорност за проблеми, свързани с потребителското обслужване на съдържание или услуги, предоставени от трети лица. Всякакви въпроси, коментари или запитвания, отнасящи се към съдържание или услуги, предоставени от трети страни следва да бъдат отправяни директно към доставчика на съдържание или услуги.
- Съществуват различни причини, поради които е възможно да нямате достъп до съдържание или услуги от устройството, които не са свързани със самото устройство, включително, но не само, прекъсване на електричеството, връзката с Интернет, или неправилно конфигуриране на устройството Ви. UMC Poland, нейните мениджъри, ръководители, служители, представители, изпълнители и подразделения не носят отговорност пред Вас или трета страна по отношение на такава невъзможност или прекъсвания за поддръжка, независимо от причината, и евентуалната възможност последните да биха могли да бъдат избегнати.
- Цялото съдържание или услуги на трети страни, достъпно чрез това устройство Ви се предоставя "както-е" и "както е налично" и UMC Poland и нейните подразделения не Ви предоставят каквито и да било гаранции, директни или косвени, включително, без ограничение, всички гаранции за продаваемост, липса на нарушение, пригодност за определена цел, или каквито и да било гаранции за годност, достъпност, точност, пълнота, сигурност, заглавие, полезност, безпогрешна или непрекъсната работа или използване на съдържанието или услугите, които са Ви предоставяни, или че това съдържание или услуги ще отговарят на Вашите изисквания или очаквания.
- "UMC Poland" не е представител и не поема отговорност за действията или бездействията на трети страни, доставчици на съдържание или услуги, нито за който и да било аспект на съдържанието или услугата, свързана с такива доставчици.
- В ников случай "UMC Poland" и/или нейните подразделения не носят отговорност към Вас или други трети страни за каквито и да било преки, косвени, специални, случайни, наказателни, закономерни или други щети, независимо дали теорията за отговорност се основава на договор, непозволено увреждане, небрежност, нарушение на гаранцията, безвиновна отговорност и т.н. и дали UMC Poland и/или нейните подразделения не са били предупредени за възможността от възникването на такива щети.

- **Продуктът разполага с технология, която е предмет на права на интелектуална собственост на Microsoft. Използването или разпространението на тази технология извън продукта без необходимите лицензи от Microsoft е забранено.**
- **Собствениците на съдържание използват технологията за достъп до съдържанието на Microsoft PlayReady™, за да защитят интелектуалната си собственост, включително съдържание с авторски права. В това устройство се използва технология PlayReady за достъп до защитено PlayReady съдържание и/или защитено WMDRM съдържание. В случай че ограниченията за ползване на съдържание за настоящото устройство не бъдат спазени, собствениците на такава могат да изискат от Microsoft да отмени способността на устройството да обработва защитено PlayReady съдържание. Тази отмяна не следва да касе незащитено съдържание или съдържание, защитено от други технологии за достъп до съдържание. Собствениците на съдържание могат да изискат от Вас да надстроите PlayReady, за да получите достъп до съдържанието. Ако не изпълнете надстройване, няма да имате достъп до съответното съдържание.**

## Важна информация относно използването на видео игри, компютри, надписи и други програми с фиксиран образ.

- Продължителната употреба на програмни материали с фиксиран образ може да доведе до постоянна "сянка в образа" на течнокристалния екран (понякога неправилно наричан "прегаряне на екрана"). Тази сянка в образа остава постоянно видима във фонов режим. Това е необратима повреда. Можете да я избегнете, като следвате инструкциите, посочени по-долу:
- Намалете настройката за яркост/контраст до възможно най-ниските нива, на които можете да гледате.
- Не възпроизвеждайте фиксиран образ за дълги периоди от време. Избягвайте възпроизвеждането на:
  - » Време и диаграми на Телетекст,
  - » TV/DVD меню, напр. DVD съдържание,
  - » при задържане в режим „Пауза“: Не използвайте този режим за големи периоди, например докато гледате DVD или видеоклип.
  - » Изключвайте уреда, когато не го използвате.

## Батерии

- При поставянето на батериите обърнете внимание дали поляритетът е спазен правилно.
- Не излагайте батериите на високи температури и не ги оставяйте на места, където температурата би могла да се повиши бързо (като например близо до огън или на директна слънчева светлина).
- Не излагайте батериите на силна лъчиста топлина, не ги хвърляйте в огън, не ги разглобявайте и не се опитвайте да презареждате батерии, които не са специално пригодени за това. В противен случай е възможно те да протекат или да експлодират.
  - » Никога не използвайте заедно различни батерии и не смесвайте нови и стари такива.
  - » Изхвърляйте изразходените батерии по безопасен за околната среда начин.
  - » Изхвърлянето на батерии е регулирано със закон в повечето страни от ЕС.



## ПРЕДУПРЕЖДЕНИЕ:

- ЛАЗЕРЕН ПРОДУКТ КЛАС 1 (отнася се за модели с вграден DVD плейър). Предупредителният етикет е разположен върху задния панел на уреда.
- ТОЗИ УРЕД Е ЛАЗЕРЕН ПРОДУКТ КЛАС 1. В ТОЗИ УРЕД СЕ ИЗПОЛЗВА ЛАЗЕРЕН ЛЪЧ ВЪВ ВИДИМ СПЕКТЪР КОЙТО ПРИ НАСОЧВАНЕ МОЖЕ



ДА ПРИЧИНИ ОПАСНО РАДИАЦИОННО ОБЛЪЧВАНЕ. УВЕРЕТЕ СЕ, ЧЕ РАБОТИТЕ С ПЛЕЙЪРА ПРАВИЛНО, СПАЗВАЙКИ УКАЗАНИЯТА.

- КОГАТО УРЕДЪТ Е ВКЛЮЧЕН В ЕЛЕКТРИЧЕСКАТА МРЕЖА, НЕ ПРИБЛИЖАВАЙТЕ ОЧИТЕ СИ ДО ОТВОРИТЕ, ЗА ДА ГЛЕДАТЕ ВЪВ ВЪТРЕШНОСТА МУ.
- ИЗПОЛЗВАНЕТО НА ПРИБОРИ ЗА УПРАВЛЕНИЕ, НАСТРОЙКИ ИЛИ ИЗПЪЛНЕНИЕТО НА ПРОЦЕДУРИ, РАЗЛИЧНИ ОТ УКАЗАНИЕТА ТУК МОГАТ ДА ДОВЕДАТ ДО ОПАСНО РАДИАЦИОННО ОБЛЪЧВАНЕ.
- НЕ СВАЛЯЙТЕ ПРЕДПАЗНИТЕ ПАНЕЛИ И НЕ ИЗВЪРШВАЙТЕ РЕМОНТНИ ДЕЙСТВИЯ САМОСТОЯТЕЛНО. ЗА ОБСЛУЖВАНЕ СЕ ОБЪРНЕТЕ КЪМ КВАЛИФИЦИРАН ПЕРСОНАЛ.

### Извеждане от експлоатация

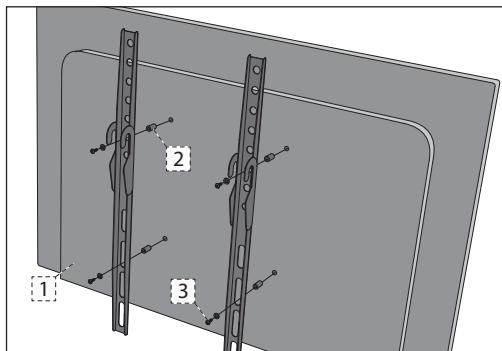
- Не изхвърляйте този телевизор наред с другите битови отпадъци. Върнете го в някой от определените центрове за рециклиране съгласно Директивата за ИУЕЕО. По този начин подпомагате запазването на ресурси и защитавате околната среда. За повече информация се свържете с най-близкия до Вас търговец или с местните власти.



### СЕ Декларация:

- С настоящото UMC Poland Sp. z o.o. декларира, че този LED телевизор е в съответствие със съществените изисквания и другите приложими разпоредби на Директивата за RED 2014/53/EU. [www.sharpconsumer.eu/documents-of-conformity/](http://www.sharpconsumer.eu/documents-of-conformity/)  
Пълният текст на декларацията за съответствие на ЕС може да прочетете на адрес [www.sharpconsumer.eu/documents-of-conformity/](http://www.sharpconsumer.eu/documents-of-conformity/)  
Този уред може да се използва във всички страни на ЕС.  
Wi-Fi макс. мощност на предаване: 100mW при 2,412 GHz – 2,472 GHz

предоставени в пакета с аксесоари, вместо оригиналните винтове от монтажните отвори на телевизора. Поставете разделителите в монтажните отвори върху задната страна на телевизора, след което разположете стенните конзоли върху тях. Прикрепете конзолите и разделителите към телевизора с помощта на дълги винтове, както е показано по-долу:



1. ТЕЛЕВИЗОР

2. РАЗДЕЛИТЕЛ

3. ВИНТ

**ЗАБЕЛЕЖКА:** Видът на телевизора и стенната конзола е илюстративен и служи единствено за пояснение.

## Какво е включено в пакета

### При закупуване на този телевизор, ще получите следните елементи:

- |                                   |   |
|-----------------------------------|---|
| • Телевизор - 1 бр.               | • Пакет за монтаж на телевизионната поставка - 1 бр.  |
| • Дистанционно управление - 1 бр. | • Наръчник за бърз старт - 1 бр.  |
| • Батерии размер AAA - 2 бр.      | • Комплект за монтиране на стена - 1 бр. (винтове M6x35 - 4 бр. и пластмасови разделители - 4 бр.)* |

\* - *Предлага се единствено за моделите от 50"*

## Прикрепване на поставката

Следвайте указанията в техническата листовка, която ще откриете в торбичката с принадлежности.

## Монтиране на телевизора на стената

1. Извадете четирите винта, които са поставени в отворите за монтиране.
2. Стойката за монтиране на стена може лесно да бъде прикрепена към отворите, разположени върху задната страна на телевизора.
3. Монтирайте конзолата, спазвайки съветите на производителя. Ако конзолата бъде прикрепена към модел от 50", е препоръчително използването на по-дългите винтове и пластмасови разделители,

## Свързване

За свързване на външни устройства разгледайте последната страница на настоящото ръководство.

## Първи стъпки - първоначална настройка

1. Свържете телевизора с антенното гнездо на стената, използвайки радиочестотен кабел.
2. За свързване към Интернет с кабелна връзка свържете Cat 5/ Ethernet кабел (не е включен) от телевизора към широколентов модем/рутер.
3. Поставете предоставените Ви батерии в дистанционното управление.
4. Свържете захранващия кабел към електрически контакт.
5. Вече можете да преминете към следващите стъпки на конфигуриране на телевизора.
6. След като включите телевизора, ще бъде показано менюто за **Първоначална инсталация**.  
В случай че такъв не се появи, натиснете [MENU]/МЕНЮ/ и 8-8-8-8 върху дистанционното управление, след което менюто ще бъде показано. Ако желаете да направите промени в някои от фабрично зададените настройки, използвайте бутоните за превъртане (▲/▼/◀/▶). За изход от менюто във всеки един момент, натиснете бутон [EXIT]/ИЗХОД/.
7. Изберете желаните от Вас настройки в екран **Първоначална инсталация**.

## Бутони на телевизора\*

**Vol+** увеличаване на силата на звука и преминаване към менюто вдясно

**Vol-** намалаване на силата на звука и преминаване към менюто вляво

**CH+** програма/канал нагоре и преминаване към менюто горе

**CH-** програма/канал надолу и преминаване към менюто долу

**MENU** показва меню/OSD

**SOURCE** показване на меню за източника на входен сигнал.

**STANDBY** включване/изключване на телевизора, докато е в режим на готовност.

\* - при модели с бутони на телевизора

## Джойстик за управление на телевизора\*

Джойстикът за управление е разположен в долния ляв ъгъл от задната страна на телевизора. Можете да го използвате като заместител на дистанционното управление за повечето от наличните функции.

### В режим на готовност:

- кратко натискане на джойстика - включване

### Докато гледате телевизия:

- НАДЯСНО / НАЛЯВО – увеличаване / намаляване силата на звука
- НАГОРЕ / НАДОЛУ – превключване на канал нагоре / надолу
- кратко натискане – показване на меню
- продължително натискане – поставяне в режим на готовност

### Докато се намирате в менюто:

- НАДЯСНО / НАЛЯВО / НАГОРЕ / НАДОЛУ – навигиране на курсора в менютата на екрана
- кратко натискане – ОК / потвърждаване на избран елемент
- продължително натискане – връщане към предишното меню

\* - при модели с джойстик

## Избор на режим за входен сигнал/източник

Превключване между различните входни сигнали/свързвания.

### а) Употреба на бутоните на дистанционното управление:

1. Натиснете бутон [SOURCE/□] - извежда се менюто за източник на сигнал.
2. След това натиснете [◀] или [▶], за да изберете предпочитания от Вас входен сигнал.
3. Натиснете [OK].

### б1) Употреба на бутоните на телевизора\*:

1. Натиснете бутон [SOURCE].
2. Превъртете нагоре/надолу с помощта на бутоните VOL+/VOL-, за да достигнете до желания от Вас източник на входен сигнал.
3. Натиснете [SOURCE], за да промените входния сигнал/източника към този, който сте избрали.

### б2) Употреба на джойстика\*:

1. Натиснете без да задържате, за да влезете в менюто.
2. Натиснете джойстика надолу и придвижете курсора до меню ИЗТОЧНИЦИ.
3. Влезте в меню ИЗТОЧНИЦИ с кратко натискане.
4. Изберете желания от Вас входящ сигнал / източник с помощта на джойстика.

5. С кратко натискане можете да промените входния сигнал / източника.

\* - по избор

## Управление на менюто на телевизора

За достъп до това меню натиснете бутон [MENU] върху дистанционното управление. За да влезете в менюто натиснете бутон [OK]. Ако желаете да направите промени в някои от фабрично зададените настройки, използвайте бутоните за превъртане (▲/▼/◀/▶). За потвърждаване на настройка натиснете бутон [OK]. За изход от менюто във всеки един момент, натиснете бутон [EXIT]/ИЗХОД/.

## Електронно ръководство за употреба

За стартиране на онлайн наръчника, натиснете бутон [MENU], след което изберете **Настройки>Информация за телевизора>Помощна информация>Преглед на онлайн наръчник**

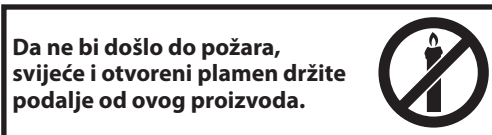
## Дистанционно управление

Преглед на екранното ръководство на телевизора

## Važne sigurnosne upute



### Pročitajte ove sigurnosne upute i pridržavajte se sljedećih upozorenja prije korištenja uređaja:



- TV uređaje sa 43-inčnim ili većim ekranima mora prenositi ili podići barem dvoje ljudi.
- Ovaj TV ne sadrži nikakve dijelove koje bi korisnik mogao sam popraviti. U slučaju kvara, obratite se proizvođaču ili ovlaštenom servisnom predstavniku. Dodirrom određenih dijelova unutar TV-a možete ugroziti svoj život. Jamstvo ne vrijedi za kvarove uzrokovane popravcima neovlaštenih trećih strana.
- Ne skidajte stražnji dio uređaja.
- Ovaj uređaj izrađen je za primanje i reproduciranje video i zvučnih signala. Svaka druga uporaba strogo je zabranjena.
- TV ne smije biti izložen kapaњу ili prskanju tekućine.
- Kako biste TV uređaj isključili iz mreže napajanja, izvadite utikač kabela napajanja iz utičnice.
- Ako je kabel napajanja oštećen, zamjenu povjerite proizvođaču, servisnom predstavniku ili kvalificiranoj osobi da bi se izbjegle opasne situacije.
- Preporučena udaljenost za gledanje HD TV približno je pet puta dulja od visine zaslona. Odsjaj na zaslonu s drugih izvora osvjetljenja može biti uzrok lošije kvalitete slike.
- Osigurajte da TV ima dovoljno mjesta za prozračivanje i da se ne nalazi blizu drugih uređaja i ostalih dijelova namještaja.
- Proizvod postavite barem 5 cm dalje od zida radi prozračivanja.
- Osigurajte da u otvorima za prozračivanje nema nikakvih predmeta, npr. novina, stolnjaka, zavjesa itd.
- TV je izrađen za korištenje u umjerenj klimi.
- TV je izrađen isključivo za rad u suhim prostorima. Kad se TV koristi vani, provjerite ako je zaštićen od vlage (kiša, prskanje vode). Nemojte ga izlagati vlazi.
- Na televizijski uređaj nemojte stavljati nikakve predmete, spremnike s tekućinama, npr. vaze itd. Te posude mogu se prevrnuti, što bi ugrozilo sigurnost električnih instalacija. TV postavite isključivo na ravnu i stabilnu površinu. Na ili ispod TV-a nemojte stavljati predmete, npr. novine ili deke itd.
- Provjerite da uređaj ne stoji na strujnim kabelima jer bi moglo doći do oštećenja. Mobilni telefoni i drugi uređaji kao što su WLAN prilagodnici, nadzorne kamere s bežičnim prijenosom signala itd. mogu uzrokovati elektromagnetske smetnje i ne smiju se postaviti u blizini uređaja.
- Uređaj nemojte postaviti blizu grijaćih elemenata ili na mjesto sa izravnim sunčevim osvjetljenjem jer to ima negativan učinak na hlađenje uređaja. Skladištenje topline je opasno i može smanjiti radni vijek uređaja. Kako bi se osigurala sigurnost, obratite se kvalificiranoj osobi da ukloni prljavštinu iz uređaja.
- Pokušajte spriječiti oštećenja na mrežnom kabelu ili prilagodniku. Uređaj se možda uputi samo s priloženim mrežnim kabelom/prilagodnikom.
- Vremenske nepogode opasne su za električne uređaje. Ako munja udara u glavni električni vod ili ožičenje antene, uređaj će se oštetiti čak i ako je isključen. Prije vremenske nepogode odspojite sve kabele i konektore uređaja.

- Za čišćenje zaslona uređaja koristite samo vlažnu i meku krpu. Koristite samo čistu vodu, nikad deterdžente, a nikako ne otapala.
- Postavite TV blizu zida kako ne bi pao ako ga netko slučajno gurne.
- UPOZORENJE - Televizijski uređaj nikad nemojte stavljati na nestabilnu površinu. Televizijski uređaj može pasti što može dovesti do ozbiljnih tjelesnih ozljeda ili smrti. Mnoge ozljede, osobito djece, mogu se spriječiti poduzimanjem jednostavnih mjera opreza, npr.:
- Koristite ormariće ili stalke koje preporuča proizvođač televizijskog uređaja.
- Koristite samo namještaj na kojem možete televizijski uređaj postaviti na siguran način.
- Provjerite da televizijski uređaj ne visi preko ruba namještaja na kojem se nalazi.
- Televizijski uređaj nemojte postavljati na visoka mjesta (npr. ormariće ili police za knjige) osim ako ste prije dobro pričvrstili i poduprli televizijski uređaj na odgovarajući namještaj.
- Televizijski uređaj nemojte postavljati na krpe ili druge materijale na namještaju.
- Upoznajte djecu s opasnostima penjanja na namještaj kada žele doći do televizijskog uređaja ili daljinskog upravljača.
- Osigurajte da se djeca ne mogu penjati ili dohvatiti televizijski uređaj.
- Ako postojeći televizijski uređaj želite premjestiti, potrebno je ponovno pridržavati se svih prethodno navedenih mjera opreza.
- Upute u nastavku prikazuju siguran način postavljanja TV-a tako da ga pričvrstite na zid. Na taj način neće doći do prevrtanja TV-a i mogućih ozljeda ili oštećenja.
- Za tu vrstu postavljanja bit će vam potreban kabel za pričvršćivanje A) Uz pomoć jednog/oba provrta za montiranje na gornjem dijelu i vijaka (vijci se već nalaze u provrtima na zidu) pričvrstite jedan kraj kabela za pričvršćivanje na TV. B) Pričvrstite drugi kraj kabela za pričvršćivanje na zid.
- Softver na TV-u i zasloni prikaz (OSD) može se promijeniti bez prethodnog upozorenja.
- Napomena: U slučaju elektrostatičkog pražnjenja (ESD) uređaj će prikazivati neispravnu funkciju. U tom slučaju TV uređaj isključite te ga zatim ponovno uključite. TV uređaj radit će normalno.

### Upozorenje:

- Nemojte koristiti TV uređaj odmah nakon vađenja iz ambalaze. Pričekajte da se TV uređaj zagrije na sobnu temperaturu prije uporabe.
- Vanjske uređaje nemojte spajati na uređaj spojen na električnu energiju. Isključite ne samo TV, već i uređaje koje ste spojili! Uključite utikač TV-a u zidnu utičnicu nakon što spojite sve vanjske uređaje i antenu!
- Uvijek pazite na to da imate dovoljno mjesta za pristup mrežnom utikaču TV-a.
- Uređaj nije namijenjen za korištenje na radnom mjestu s monitorima.
- Stalno korištenje slušalica s visokom razinom glasnoće može uzrokovati nepovratno oštećenje sluha.
- Osigurajte ekološko zbrinjavanje uređaja i njegovih komponenti zajedno s baterijama. Kada ste u neodumici, obratite se lokalnim vlastima za više informacija o recikliranju.
- Kad uređaj postavljate, nemojte zaboraviti da je namještaj premazan raznim lakovima, plastikom itd. ili je poliran. Kemikalije koje takvi proizvodi sadrže mogu reagirati s postojelom TV uređaja. To bi moglo uzrokovati da se dijelici materijala zalijepe na površinu namještaja, a oni se teško ili uopće ne mogu skinuti.
- Zaslona vašeg TV-a proizveden je u visoko kvalitetnim uvjetima i detaljno je nekoliko puta pregledan ako postoje neispravni pikseli. Zbog tehnoloških svojstava procesa proizvodnje nije moguće eliminirati postojanje malog broja neispravnih piksela na zaslonu (čak ni uz maksimalnu pažnju za vrijeme proizvodnje). Ti neispravni pikseli ne smatraju se kvarom u odnosu na uvjete jamstva ako broj neispravnih piksela nije veći od ograničenja određenih DIN normom.
- Proizvođač se ne može smatrati odgovornim ni biti odgovoran za pitanja vezana uz korisničku podršku za uređaj ili usluge trećih strana. Sva pitanja, komentare ili upite vezane uz usluge ili sadržaj trećih strana treba uputiti izravno davatelju odgovarajućih sadržaja ili usluga.
- Postoje brojni razlozi nemogućnosti pristupa sadržaju ili uslugama koji nisu vezani uz sam uređaj, uključujući između ostaloga prekid napajanja,

internetske veze ili nepravilno konfiguriranje uređaja. UMC Poland, njegovi direktori, službenici, zaposlenici, predstavnici, ugovorne strane i podružnice neće biti odgovorni vama ni bilo kojoj trećoj strani vezano uz takve kvarove ili nedostupnost usluga zbog održavanja, bez obzira na uzroke i na to jesu li se mogli izbjeći.

- Sav sadržaj ili usluge trećih strana dostupni putem ovog uređaja pružaju vam se "kakvi jesu" ili "po dostupnosti", a UMC Poland i njezine podružnice ne daju nikakva jamstva ni izjave bilo koje vrste prema vama, izričito ni implicirano, uključujući između ostaloga bilo kakva jamstva utvrđivosti, nekršenja propisa, prikladnosti za određenu svrhu ni bilo kakva jamstva prikladnosti, dostupnosti, točnosti, potpunosti, sigurnosti, korisnosti, izostanka pogrešaka ili neprekidnog rada ili upotrebe sadržaja ili usluga koji vam se pružaju ili da će sadržaji ili usluge ispunjavati vaše zahtjeve ili očekivanja.
- "UMC Poland" nije predstavnik i ne preuzima nikakvu odgovornost za postupke ili propuste trećih davatelja sadržaja ili usluga ni vezano uz bilo koji aspekt sadržaja ili usluga trećih davatelja.
- "UMC Poland" i/ili njezine podružnice neće ni u kojem slučaju biti odgovorne vama ni bilo kojoj trećoj strani ni za kakve izravne, neizravne, posebne, slučajne, kaznene, posljedične ili druge štete, bez obzira na temelji li se teorija odgovornosti na ugovoru, deliktu, zanemarivanju, kršenju jamstva, striktnoj odgovornosti ili nečemu drugom te bez obzira na to jesu li UMC Poland i/ili njezine podružnice obaviještene o mogućnosti takvih šteta.
- Ovaj proizvod sadrži tehnologiju koja podliježe određenim pravima intelektualnog vlasništva tvrtke Microsoft. Uporaba ili distribucija ove tehnologije izvan ovog proizvoda zabranjena je osim u slučaju odgovarajuće licence/licencij tvrtke Microsoft.**
- Vlasnici sadržaja upotrebljavaju tehnologiju za pristup sadržaju Microsoft PlayReady™ kako bi zaštitili svoja prava intelektualnog vlasništva, uključujući sadržaj zaštićen autorskim pravima. Ovaj uređaj upotrebljava tehnologiju PlayReady za pristup sadržaju zaštićenom tehnologijom PlayReady i/ili sadržaju zaštićenom softverom WMDRM. Ako uređaj ne provodi ograničenja uporabe sadržaja na odgovarajući način, vlasnici sadržaja mogu od tvrtke Microsoft zahtijevati ukidanje uporabe sadržaja zaštićenog tehnologijom PlayReady na uređaju. Ukidanje neće utjecati na nezaštićeni sadržaj odnosno sadržaj zaštićen drugim tehnologijama za pristup sadržaju. Vlasnici sadržaja mogu zahtijevati nadogradnju tehnologije PlayReady za pristup njihovom sadržaju. Ako nadogradnju odbijete, nećete imati pristup sadržaju za koji je potrebna nadogradnja.**

## Važne informacije o korištenju video igrica, računala, podnaslova i ostalih prikaza s nepromjenjivom slikom.

- Dugotrajna uporaba materijala programa s nepromjenjivim slikama može uzrokovati trajnu sliku sa sjenom na LCD zaslonu (ponekad se to pogrešno opisuje da je zaslon "izgorio"). Takva slika sa sjenom ostat će trajno vidljiva u pozadini zaslona. To je nepovratno oštećenje. Takvo oštećenje može se izbjeći ako se pridržavate uputa u nastavku:
- Smanjite postavku za svjetlinu/kontrast na minimalnu razinu.
- Nemojte dugo prikazivati nepromjenjive slike. Izbjegavajte prikazivanje:
  - » vremena i sadržaja na teletekstu,
  - » TV/DVD izbornika, npr. DVD sadržaja,
  - » u načinu rada "Pauziraj" (zadržavanje): Ovaj način rada nemojte dugo koristiti, npr. za vrijeme gledanja DVD-a ili videozapisa.
  - » isključite uređaj ako ga ne koristite.

## Baterije

- Obratite pažnju na pol kod umetanja baterija.
- Baterije nemojte izlagati visokim temperaturama i ne stavljajte ih na mjesta gdje se temperatura može brzo povećati, npr. blizu vatre ili na izravnu sunčevu svjetlost.
- Baterije nemojte izlagati prekomjerno isijavajućoj toplini, ne bacajte ih u vatru, ne rastavljajte ih i ne pokušavajte puniti nepunjive baterije. Moglo bi doći do curenja tekućine ili eksploziranja.



Cd

- » Nikad nemojte koristiti različite vrste baterija istovremeno ili miješati nove i stare baterije.
- » Baterije odložite na ekološki prihvatljiv način.
- » Većina država članica EU zakonom regulira odlaganje baterija.

## OPREZ:

- LASERSKI PROIZVOD KLASJE 1 (primjenjivo na modele s ugrađenim DVD reproduktorom). Ova naljepnica s upozorenjem nalazi se na stražnjem dijelu proizvoda.
- OVA JEDINICA JE LASERSKI PROIZVOD KLASJE 1. OVA JEDINICA KORISTI VIDLJIV LASERSKI SNOP KOJI PREDSTAVLJA RIZIK ZBOG IZLOŽENOSTI ZRAČENJU. REPRODUKTOR KORISTITE NA ISPRAVAN NAČIN U SKLADU S NAVEDENIM UPUTAMA.
- KADA JE PROIZVOD PRIKLJUČEN NA ZIDNU UTIČNICU, NEMOJTE GLEDATI U OTVORE NA PROIZVODU.
- UPORABA KONTROLA ILI PODEŠAVANJA ILI IZVEDBA POSTUPAKA KOJI NISU OVDJE NAVEDENI PREDSTAVLJAJU RIZIK ZBOG IZLOŽENOSTI ZRAČENJU.
- NE OTVARAJTE POKLOPCE I NE POPRAVLJAJTE PROIZVOD SAMI. OBRATITE SE KVALIFICIRANOM OSOBLJU.

## Odlaganje

- Ovaj TV uređaj nemojte odložiti pod nerazvrstan komunalni otpad. Vratite ga na označeno sabirno mjesto za recikliranje WEEE opreme. Na taj način sudjelovat ćete u očuvanju prirodnih resursa i zaštiti okoline. Obratite se trgovcu ili lokalnim vlastima za više informacija.



## CE izjava:

- UMC Poland Sp. z o.o. ovim putem izjavljuje da je ovaj LED TV usklađen s osnovnim zahtjevima i drugim relevantnim odredbama RED smjernice 2014/53/EU. [www.sharpconsumer.eu/documents-of-conformity/](http://www.sharpconsumer.eu/documents-of-conformity/). Puni tekst EU deklaracije usklađenosti dostupan je putem poveznice [www.sharpconsumer.eu/documents-of-conformity/](http://www.sharpconsumer.eu/documents-of-conformity/). Ova se oprema smije koristiti u svim državama EU-a. Wi-Fi maks. snaga odašiljača: 100 mW pri 2,412 GHz – 2,472 GHz

## Što se nalazi u kutiji

### Kupovinom ovog TV uređaja dobivate sljedeće:

- |                          |   |
|--------------------------|---|
| • 1x TV uređaj           | • 1x paket za postavljanje TV stalka  |
| • 1x daljinski upravljač | • 1x Vodič za brzi početak  |
| • 2x AAA baterije        | • 1 komplet za montiranje na zid (4 M6x35 vijaka i 4 plastična držača razmaka)* |

\* - Dostupno samo za modele od 50"

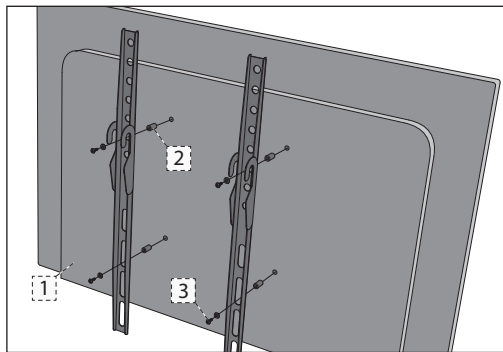
## Pričvršćivanje stalka

Sljedite upute u letku s tehničkim podacima koji se nalazi u kutiji s dodatnom opremom.

## Postavljanje TV uređaja na zid

1. Uklonite četiri priložena vijaka koja se nalaze u otvorima za montažu uređaja na zid.
2. Nosač za montažu TV uređaja na zid sada se može jednostavno pričvrstiti na otvore za montažu na stražnjoj strani TV uređaja.
3. Postavite nosač za montažu uređaja na zid na televizijski uređaj na način opisan od strane proizvođača nosača.

Prilikom pričvršćivanja zidnih nosača za model od 50", umjesto vijaka isporučenih u otvorima za montiranje televizora na zid, preporučujemo upotrebu dužih vijaka i držača razmaka u dodatnom priboru. Postavite držače razmaka u otvore za montiranje televizora na zid, koji se nalaze na poleđini televizora, a zatim na njih postavite zidne nosače. Pričvrstite nosače i držače razmaka na TV pomoću dužih vijaka, kao što je prikazano u nastavku:



1. TV
2. DRŽAČ RAZMAKA
3. VIJAK

**NAPOMENA:** Tip TV-a i držača razmaka prikazan na slici samo je ilustrativne naravi.

## Spajanje

Na zadnjoj stranici ovog priručnika s uputama opisan je način spajanja vanjskih uređaja.

## Početak rada - početno postavljanje

1. Pomoću RF kabela spojite TV uređaj na utičnicu za TV antenu.
2. Povezivanje s internetom možete obaviti žičnom vezom tako da povežete TV i širokopolosni modem/usmjerivač pomoću Cat 5/ Ethernet kabela (nije isporučen).
3. Umetnite priložene baterije u daljinski upravljač.
4. Stavite električni kabel u utičnicu.
5. Sada možete nastaviti sa sljedećim koracima konfiguracije TV uređaja.
6. Nakon uključjenja TV uređaja na ekranu će se prikazati izbornik **Prva instalacija**. Ako se ta poruka ne pojavi, na daljinskom upravljaču pritisnite [MENU] (izbornik), a nakon toga 8-8-8-8 i pojavit će se izbornik.  
Ako želite promijeniti zadane postavke, koristite gumb za pomicanje ▲/▼/◀/▶. Za izlaz iz izbornika pritisnite gumb [EXIT] (izlaz).
7. **Željene postavke postavite na zaslonu PRVO POSTAVLJANJE.**

## TV gumbi\*

**Vol+** povećanje glasnoće i izbornik desno

**Vol-** smanjenje glasnoće i izbornik lijevo

**CH+** micanje programa/kanala prema gore i izbornik gore

**CH-** micanje programa/kanala prema dolje i izbornik dolje

**MENU** prikazuje izbornik/OSD

**SOURCE** prikazuje izbornik ulaza/izvora

**STANDBY** uključjenje/isključjenje stanja pripravnosti

\* - za TV uređaje s gumbima

## Upravljački štap TV uređaja\*

Upravljački štap TV uređaja nalazi se na donjem lijevom uglu stražnje strane TV uređaja. Možete ga koristiti umjesto daljinskog upravljača za reguliranje svih funkcija vašeg TV uređaja.

**Kad je TV uređaj u stanju čekanja:**

- kratko pritisnite upravljački štap - uključjenje

**Kad gledate TV:**

- DESNO/LIJEVO – povećanje/smanjenje glasnoće
- GORE/DOLJE – promjena kanala prema gore/dolje
- kratak pritisak – prikazuje izbornik
- dugi pritisak – stanje pripravnosti/uključjenje/isključjenje

**Kad ste u izborniku:**

- DESNO/LIJEVO/GORE/DOLJE – navigacija kursora na zaslonkim izbornicima
- kratak pritisak – OK/Potv rdi odabranu stavku
- dugi pritisak – natrag na prethodni izbornik

\* - za TV uređaje s upravljačkom palicom

## Odabir načina ulaza/izvora

Za prebacivanje između različitih ulaza/priključaka.

**a) Uz pomoć gumba na daljinskom upravljaču:**

1. Pritisnite [SOURCE/□] - pojavit će se izbornik izvora.
2. Pritisnite [◀] ili [▶] za odabir odgovarajućeg ulaza.
3. Pritisnite [OK].

**b1) Uz pomoć gumba\* na televiziju:**

1. Pritisnite [SOURCE].
2. Pomicite gore/dolje uz pomoć gumba VOL+/VOL- kako biste odabirali odgovarajući ulaz/izvor.

3. Pritisnite [SOURCE] za promjenu ulaza/izvora na odabrani.

**b2) Uporaba upravljačkog štapa\* TV uređaja:**

1. Za ulazak u izbornik kratko pritisnite upravljački štap.
2. Upravljački štap pritisnite prema dolje i navigirajte kursorom na izbornik IZVORI.
3. Za ulazak u izbornik IZVORI kratko pritisnite upravljački štap.
4. Upravljačkim štapom odaberite potreban ulaz/izvor.
5. Kratkim pritiskom na upravljački štap promijenit ćete ulaz/izvor na odabrani.

\* - *opcijna*

## Navigacija po TV izborniku

Za pristup izborniku pritisnite gumb [MENU] na daljinskom upravljaču. Za ulaz u izbornik pritisnite [OK]. Ako želite promijeniti zadane postavke, koristite gumb za pomicanje (▲/▼/◀/▶). Za potvrdu postavke pritisnite gumb [OK]. Za izlaz iz izbornika pritisnite gumb [EXIT] (izlaz).

## Priručnik s elektroničkim uputama

Da biste pokrenuli online priručnik, pritisnite tipku [MENU] i odaberite **Postavke>O TV-u>Pomoć>Prikaži online priručnik.**

## Daljinski upravljač

Pročitajte na TV uređaju u priručniku prikazanom na zaslonu

## Važne bezbednosne instrukcije



**Molimo vas da pročitate ove bezbednosne instrukcije i da poštujuete sledeća upozorenja pre nego što počnete da rukujete uređajem:**

**Kako biste sprečili požar, uvek držite sveće i druge predmete sa otvorenim plamenom podalje od ovog proizvoda.**



- Televizory s uhlopičrkou 43" nebo větší musí být zdvihány a přenášeny minimálně dvěma osobami.
- Ovaj televizor ne sadrži nikakve delove koje može da opravi korisnik. U slučaju greške, obratite se proizvođaču ili ovlašćenom servisnom prodavcu. Dolaženje u dodir sa određenim delovima unutar televizora može da dovede u opasnost vaš život. Garancija ne važi za greške koje su izazvane popravkama izvršenim od strane neovlašćenih trećih lica.
- Ne uklanjajte zadnji deo uređaja.
- Ovaj uređaj je dizajniran za prijem i reprodukciju video i zvučnih signala. Bilo koje drugo korišćenje je strogo zabranjeno.
- Ne izlažite televizor tečnošću koja curi ili prska.
- Da biste isključili TV sa glavnog napajanja izvucite glavni utikač sa glavne utičnice.
- Ako je vodovodni kabl oštećen, on mora biti zamenjen od strane proizvođača, servisnog prodavca ili slično kvalifikovanih osoba kako bi se izbegla opasnost.
- Preporučena razdaljina za gledanje HD TV je otprilike pet puta duža od visine ekrana. Odsjaji na ekranu od drugih izvora svetlosti mogu da pogoršaju kvalitet slike.
- Postarajte se da televizor ima dovoljnu ventilaciju i da nije u blizini drugih uređaja i drugih delova nameštaja.
- Instalirajte proizvod najmanje 5 cm od zida zarad ventilacije.
- Postarajte se da otvori za ventilaciju ne sadrže stvari kao što su novine, stolnjaci, zavese, itd.
- Televizor je dizajniran za korišćenje na umerenoj klimi.
- Televizor je dizajniran samo za rukovanje na suvom mestu. Kada koristite televizor napolju, molimo vas da se postarate da bude zaštićen od vlage (kiša, voda koja prska). Nikada ga ne izlažite vlazi.
- Ne stavlajte bilo kakve objekte, čimje napunjene tečnošću, kao što su vaze, itd. na TV. Ove posude mogu da se gurnu, što može da dovede u opasnost električnu bezbednost. Stavite televizor samo na ravnu i stabilnu površinu. Ne stavlajte nikakve objekte kao što su novine ili čebad, itd. na ili ispod televizora.
- Postarajte se da uređaj ne stoji na kablovima za napajanje jer mogu da se oštete. Mobilni telefoni i drugi uređaji kao što su WLAN adapteri, video nadzori sa bežičnim prenosom signala, itd. mogu da izazovu elektromagnetnu interferenciju i ne treba da se stave u blizini uređaja.
- Ne stavlajte uređaj blizu grejnih elemenata ili na mesto sa direktnom sunčevom svetlošću jer to ima negativni uticaj na hlađenje uređaja. Nagomilavanje toplote je opasno i može ozbiljno da smanji vek trajanja uređaja. Kako biste obezbedili bezbednost, zamolite kvalifikovanu osobu da ukloni prljavštinu sa uređaja.
- Pokušajte da sprečite štetu nad glavnim kablovima ili glavnim adapterima. Uređaj može da se poveže samo sa dostavljenim glavnim kablovima/adapterima.

- Oluje su opasne za sve električne uređaje. Ako su glavne ili antenske žice udarene gromom, uređaj će se možda oštetiti, čak i ako je isključen. Treba da isključite sve kablove i konektore uređaja pre oluje.
- Da biste obrisali ekran uređaja koristite samo vlažnu i mekanu krpu. Koristite samo čistu vodu, nikada deterdžente i nikako ne koristite rastvarače.
- Pozicionirajte televizor blizu zida kako biste izbegli mogućnost da on padne kada se gurne.
- UPOZORENJE - Nikada ne stavlajte televizor na nestabilnu lokaciju. Televizor može da padne, što može da dovede do ozbiljne lične povrede ili smrti. Mnogo povreda, naročito dečijih, može da se izbegne ako se preduzmu jednostavne predostržnosti kao što su:
- Koristite ormarice ili stalke preporučene od strane proizvođača televizora.
- Koristite samo nameštaj koji može bezbedno da podrži televizor.
- Postarajte se da televizor ne visi sa strane podržanog nameštaja.
- Ne stavlajte televizor na visok nameštaj (na primer, viseće ormarice ili police na knjige) ako niste učvrstili i nameštaj i televizor na odgovarajuću podršku.
- Ne stavlajte televizor na tkaninu ili druge materijale koji se možda nalaze između televizora i podržanog nameštaja.
- Obavestite decu u opasnostima penjanja na nameštaj da bi dohvatili televizor ili njegov daljinski upravljač.
- Postarajte se da se deca ne penju niti da vise na TV-u.
- Ako se vaš postojeći televizor zadržava ili menja lokaciju, isti uslovi navedeni iznad treba da se primene.
- Instrukcije prikazane ispod predstavljaju sigurniji način za postavljanje televizora, putem fiksiranja na zid i to će izbeći mogućnost pada i izazivanja ozlede i štete.
- Za ovaj tip instalacije trebaće vam kabl za učvršćivanje
  - A) Koristeći jednu/obe rupe za montiranje na vrhu zida i šrafova (šrafovi su već dostavljeni u rupe za montiranje na zidu), zategnite jedan kraj kabla/kablova za učvršćivanje na televizor.
  - B) Pričvrstite drugi kraj kabla/kablova za pričvršćivanje na vaš zid.
- Softver na vašem televizoru i OSD izgled mogu da se promene bez napomene.
- Napomena: U slučaju elektrostatičkog pražnjenja (ESD) uređaj će prikazivati neispravnu funkciju. U tom slučaju TV uređaj isključite te ga zatim ponovno uključite. TV uređaj radić će normalno.

### Upozorenje:

- Ne koristite TV aparat odmah nakon otpakivanja. Sačekajte dok se TV ne ugrije do sobne temperature pre nego što ga koristite.
- Nikada ne povežite bilo koje spoljašnje uređaje sa uključenom spravom. Isključite ne samo televizor već i uređaje koji su povezani! Uključite utikač televizora u zidnu utičnicu nakon povezivanja bilo kojih spoljnih i antenskih uređaja!
- Uvek se postarajte da postoji slobodan pristup glavnim utikačima televizora.
- Uređaj nije dizajniran za korišćenje na radnom mestu gde ima monitora.
- Stalno korišćenje slušalica pri visokoj jačini može da dovede do nepovratnog oštećenja sluha.
- Postarajte se da uklađanje ovog uređaja i drugih komponenti uključujući baterije bude ekološko. Kada niste sigurni, molimo vas da se obratite vašoj lokalnoj službi u vezi sa detaljima recikliranja.
- Dok instalirate uređaj, ne zaboravite da površine nameštaja sadrže razne lakove, plastiku, itd. ili da su možda polirane. Hemikalije koje ovi proizvodi sadrže mogu da proizvedu reakciju sa postoljem televizora. Ovo može da dovede do toga da se delovi materijala zalepe za površinu nameštaja, što je teško ukloniti, ako ne i nemoguće.
- Ekran vašeg televizora je proizveden pod vrhunskim uslovima kvaliteta i detaljno je proveren nekoliko puta zarad falčnih piksela. Usled tehnoloških karakteristika procesa proizvodnje, nije moguće eliminisati postojanje malog broja falčnih tačaka na ekranu (čak i sa maksimalnom brigom tokom proizvodnje). Ovi falčni pikseli se ne smatraju greškom u smislu uslova garancije, ako njihov broj nije veći od granica definisanih putem DIN normativa.
- Proizvođač ne može da garantuje, ili da odgovara, za probleme u vezi sa korisničkom uslugom koja je povezana sa sadržajem ili uslugama treće stranke. Bilo kakva pitanja, komentari ili upiti u vezi usluga povezanih sa

sadržajem ili uslugom trećih stranaka treba uputiti direktno ponuđaču primenljive sadržine ili usluge.

- Postoji nekoliko razloga zašto ne možete da pristupite sadržaju ili uslugama sa uređaja a koje nisu u vezi sa samim uređajem, uključujući, ali ne ograničavajući se na, nedostatak napajanja, vezu sa internetom, ili nemogućnost pravilne konfiguracije vašeg uređaja. UMC Poland, njegovi direktori, službenici, zaposleni, agenti, ugovarači i pridružena lica neće odgovarati vama ili trećim strankama u vezi sa takvim nedostacima ili kratkim spejovima pri održavanju, bez obzira na uzrok ili na to da li je ili nije mogao da se spreči.
- Svi sadržaji treće stranke ili usluge dostupne putem ovog uređaja su vam ponuđene po osnovi „tako je kako je“ i „kako je dostupno“ a UMC Poland i njihove podružnice ne garantuju niti vam predstavljaju bilo šta, ili direktno ili indirektno, uključujući, bez ograničenja, bilo kakve garancije prodaje, nekršenja, dostupnosti za određeni cilj ili bilo kakve garancije za odgovaranje, dostupnost, tačnost, kompletnost, bezbednost, naziv, korišćenje, nedostatak nemarnosti ili nedostatak greške ili neprekidno rukovanje ili korišćenje sadržaja ili usluga koje su vam ponuđene ili da će sadržaj ili usluge ispuniti vaše zahteve ili očekivanja.
- „UMC Poland“ nije agent i ne preuzima nikakvu odgovornost za akte ili nedostatke sadržine trećih stranaka ili ponuđača usluge, niti bilo kakvog aspekta sadržaja ili usluge u vezi sa takvim ponuđačima trećih stranaka.
- Ni u kom slučaju neće „UMC Poland“ i/ili njene podružnice odgovarati vama ili bilo kojoj trećoj stranki za bilo koje direktne, indirektno, specijalne, slučajne, kaznene, značajne ili druge štete, bez obzira da li je teorija o odgovornosti osnovana na ugovoru, deliktu, nemarnosti, nepoštovanju garancije, ozbiljne odgovornosti ili nečeg drugog i da li su ili nisu UMC Poland i/ili njene podružnice savetovane o mogućnošću takvih šteta.
- **Ovaj proizvod sadrži tehnologiju koja podleže određenim pravima intelektualne svojine Microsoft-a. Upotreba ili distribucija ove tehnologije izvan ovog proizvoda je zabranjena bez odgovarajućeg(ih) odobrenja izdatih od strane Microsoft-a.**
- **Vlasnici sadržaja koriste Microsoft PlayReady™ tehnologiju pristupa sadržaju da bi zaštitili svoju intelektualnu svojinu, uključujući zaštićeni sadržaj. Ovaj uređaj koristi PlayReady tehnologiju radi pristupanja PlayReady-zaštićenom sadržaju i/ili WMDRM-zaštićenom sadržaju. Ako uređaj ne može da se pridržava ograničenja o upotrebi sadržaja, vlasnici sadržaja mogu zahtevati od Microsoft-a da obnovi mogućnost uređaja za upotrebu PlayReady-zaštićenog sadržaja. Obnavljanje ne bi trebalo da utiče na nezaštićeni sadržaj ili sadržaj zaštićen drugim tehnologijama pristupa sadržaju. Vlasnici sadržaja od Vas mogu zahtevati da ažurirate PlayReady radi pristupa njihovom sadržaju. Ukoliko odbijete ažuriranje, nećete moći pristupiti sadržaju koji zahteva ažuriranje.**

## Važne informacije u vezi sa korišćenjem video igrice, računara, natpisa i drugih fiksiranih prikaza slika.

- Produženo korišćenje programskog materijala fiksiranih slika može da izazove trajnu „sliku senke“ na LCD ekranu (ovo se ponekad nepravilno zove „pregorevanje ekrana“). Ova slika senke je zatim trajno vidljiva na ekranu u pozadini. To je nepopravljiva šteta. Možete da izbegnete takvu štetu sledeći instrukcije ispod:
- Smanjite podešavanje osvetljenja/kontrasta na nivo minimalnog pregleda.
- Ne prikazujte fiksiranu sliku duži vremenski period. Izbegnite prikazivanje:
  - » Vremena i grafikona teleteksta,
  - » TV/DVD menija, npr. DVD sadržaj,
  - » U režimu „Pauza“ (pritisnite): Ne koristite ovaj režim duži vremenski period, npr. dok gledate DVD ili video.
  - » Isključite uređaj ako ga ne koristite.

## Baterije

- Obratite pažnju na pravilan polaritet kada ubacujete baterije.

- Ne izlažite baterije visokim temperaturama i ne postavljajte ih na lokacije gde temperatura može brzo da poraste, npr. blizu vatre ili na direktnu sunčevu svetlost.
- Ne izlažite baterije preterano zračućoj toploti, ne bacajte ih u vatru, ne rastavljajte ih i ne pokušavajte da napunite nepunjive baterije. Mogu da procure ili da eksplodiraju.
  - » Nikada ne koristite zajedno različite baterije niti mešajte nove i stare.
  - » Uklonite baterije na ekološki način.
- Većina EU zemalja reguliše uklanjanje baterija zakonom.

## OPREZ:

- LASERSKI PROIZVOD KLASJE 1 (primjenljivo na modele s ugrađenim DVD reproduktorom). Ova naljepnica s upozorenjem nalazi se na stražnjem dijelu proizvoda.
- OVA JEDINICA JE LASERSKI PROIZVOD KLASJE 1. OVA JEDINICA KORISTI VIDLJIV LASERSKI SNOP KOJI PREDSTAVLJA RIZIK ZBOG IZLOŽENOSTI ZRAČENJU. REPRODUKTOR KORISTITE NA ISPRAVAN NAČIN U SKLADU S NAVEDENIM UPUTAMA.
- KADA JE PROIZVOD PRIKLJUČEN NA ZIDNU UTIČNICU, NEMOJTE GLEDATI U OTVORE NA PROIZVODU.
- UPORABA KONTROLA ILI PODEŠAVANJA ILI IZVEDBA POSTUPAKA KOJI NISU OVDJE NAVEDENI PREDSTAVLJAJU RIZIK ZBOG IZLOŽENOSTI ZRAČENJU.
- NE OTVARAJTE POKLOPCE I NE POPRAVLJAJTE PROIZVOD SAMI. OBRATITE SE KVALIFICIRANOM OSOBLJU.

## Uklanjanje

- Ne uklanjajte ovaj televizor kao nesortirani opštinski otpad. Vratite ga na određenu tačku prikupljanja za recikliranje WEEE. Kada to uradite, pomoćićete očuvanju resursa i zaštititi okolinu. Obratite se vašem prodavcu ili lokalnoj službi za više informacija.



## CE izjava:

- Ovim UMC Poland Sp. z o.o. izjavljuje da ovaj LED TV poštuje sve bitne zahteve i druge važne odredbe RED direktive 2014/53/EU. [www.sharp-consumer.eu/documents-of-conformity/](http://www.sharp-consumer.eu/documents-of-conformity/). Pun tekst EU deklaracije o usaglašenosti je dostupan ako se sledi veza [www.sharpconsumer.eu/documents-of-conformity/](http://www.sharpconsumer.eu/documents-of-conformity/) Ova oprema može da se koristi u svim zemljama EU. Wi-Fi maks. snaga predajnika : 100 mW pri 2,412 GHz – 2,472 GHz



Cd



## Šta se nalazi u kutiji

### Dostava ovog televizora uključuje sledeće delove:

- 1x televizor
- 1x paket za instalaciju stalka televizora
- 1x daljinski upravljač
- 1x Vodič za brzo pokretanje
- 2x AAA baterije
- 1x komplet za montiranje na zid (4x M6x35 šraf i 4x plastična razmaknica)\*

\* - Dostupno samo za 50" modela

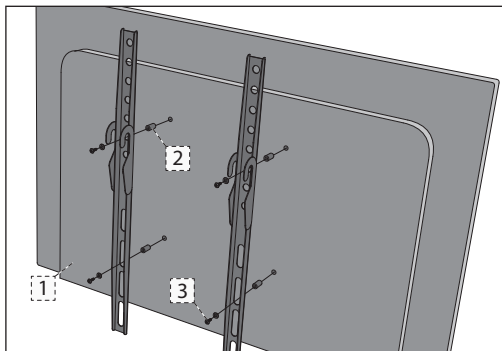
## Pričvršćivanje stalka

Molimo vas da sledite instrukcije iz tehničke brošure, koja se nalazi u torbi za dodatke.

## Montiranje TV-a na zid

1. Uklonite četiri šrafova koja se nalaze u rupama za montiranje na zid.
2. Montiranje na zid sada može lako da se prikači putem rupa za montiranje na zadnjoj strani TV-a.
3. Instalirajte držač za montiranje na zid na televizor onako kako je preporučeno od strane proizvođača držača.

Kada se stavljaju nosači na zidno montiranje na 50" model, umesto šrafova koji se nalaze u rupama za zidno montiranje TV-a, preporučujemo korišćenje dužih šrafova i razmaknica uključenih u dodatno pakovanje. Molimo postavite razmaknice u rupe za montiranje TV-a na zidu, koje se nalaze na poleđini TV-a, zatim stavite zidne nosače u njih. Prikazite držače i razmaknice na TV koristeći duže šrafove kao što je ispod prikazano:



1. TV
2. RAZMAKNICA
3. ŠRAF

**NAPOMENA:** TV i tip zidnog nosača prikazanih na dijagramu su samo zarad ilustracije.

## Povezivanja

Povezivanje eksternih uređaja, pogledajte poslednju stranicu u ovom uputstvu.

## Pokretanje - početno podešavanje

1. Koristeći RF kabl, povežite TV aparat na zidni utičnik TV antene.

2. Za povezivanje na internet sa žičnom vezom povežite Cat 5/eternet kabl (nije uključen) sa TV-a na vašu vezu širokopropusnog modema/rutera.
3. Ubacite dostavljene baterije u daljinski upravljač.
4. Povežite kabl za napajanje na električni izlaz.
5. Sada nastavite ka sledećim koracima da biste konfigurisali televizor.
6. Nakon što uključite televizor, meni za **Prvo instaliranje** će se prikazati. Ako se ne pojavi, molimo vas da na daljinskom upravljaču pritisnete [MENU] zatim 8-8-8-8 i meni će se pojaviti. Ako želite da promenite bilo šta od podrazumevanih podešavanja, koristite dugmad ▲/▼/◀/▶ za pomeranje. Da biste izašli iz ovog menija u bilo kom trenutku, pritisnite dugme [EXIT].
7. **Molimo vas da postavite željena podešavanja na ekranu PRVA INSTALACIJA**

## Dugmad\* za televizor

**Vol+** Pojačana jačina i desni meni

**Vol-** Smanjena jačina i levi meni

**CH+** Program/kanal gore i meni gore

**CH-** Program/kanal dole i meni dole

**MENU** Prikazuje meni/OSD

**SOURCE** Prikazuje ulaz izvora menija

**STANDBY** Pripravnost napajanja je uključena/isključena

\* - sa TV-ima sa dugmadima

## Štap\* za kontrolu TV-a

Štap za kontrolu TV-a se nalazi u donjem levom uglu zadnje strane TV-a. Možete ga koristiti umesto daljinskog upravljača da biste kontrolisali većinu funkcija vašeg TV-a.

**Dok je TV u režimu pripravnosti:**

- kratko pritiskanje štapa za kontrolu - Uključivanje

**Dok gledate TV:**

- DESNO/LEVO - povećana jačina/smanjena jačina
- GORE/DOLE - menja kanale na gore/dole
- kratko pritiskanje - Prikazuje meni
- dugo pritiskanje - Pripravnost napajanja O

**Dok ste u meniju:**

- DESNO/LEVO/GORE/DOLE - navigacija kursora na menijima na ekranu
- kratko pritiskanje - OK/Potvrdi izabrane stavke
- dugo pritiskanje - Vraćanje u prethodni meni

\* - za TV sa kontrolnom ručkom

## Biranje ulaza/izvora režima

Za prebacivanje između različitih ulaza/povezivanja.

**a) Korišćenje dugmadi na daljinskom upravljaču:**

1. Pritisnite [SOURCE/□] - Meni izvora će se pojaviti.
2. Pritisnite [◀] ili [▶] da biste izabrali ulaz koji vam je potreban.
3. Pritisnite [OK].

**b1) Korišćenje dugmadi\* na televizoru:**

1. Pritisnite [SOURCE].
2. Povucite gore / dole koristeći dugmad VOL+/VOL- za ulaz/izvor koji vam je potreban.
3. Pritisnite [SOURCE] da biste promenili ulaz/izvor onoga kojeg ste izabrali.

**b2) Korišćenje štapa\* za kontrolu TV-a:**

1. Kratko pritisnite štap za kontrolu da biste ušli u meni.

2. Pritisnite štap za kontrolu na dole i pomerajte kursor na meni IZVORI.
3. Kratko pritisnite štap za kontrolu da biste ušli u meni IZVORI.
4. sa štapom za kontrolu izaberite ulaz/izvor koji vam je neophodan.
5. Kada kratko pritisnete štap za kontrolu, promenićete ulaz/izvor na onaj koji je izabran.

\* - *opciono*

## Navigacija menija televizora

Da biste pristupili ovom meniju, pritisnite dugme [MENU] na daljinskom upravljaču. Da biste ušli u meni pritisnite [OK]. Ako želite da napravite promene na bilo koja podrazumevana podešavanja, koristite dugmad (▲/▼/◀/▶) za prevlačenje. Da biste potvrdili bilo koja podešavanja pritisnite dugme [OK]. Da biste izašli iz ovog menija u bilo kom trenutku, pritisnite dugme [EXIT].

## Elektronsko uputstvo

Da biste pokrenuli uputstvo na mreži, pritisnite dugme [MENI] a zatim izaberite **Podešavanja>O TV-u>Informacije od pomoći>Pogledajte uputstvo na mreži**.

## Daljinski upravljač

Pogledajte uputstvo na ekranu TV-a.

## Pomembna varnostna navodila



### Pred uporabo naprave preberite ta varnostna navodila in upoštevajte sledeča opozorila:

#### Za preprečevanje požara sveč in odprtega ognja ne približujte izdelku.



- Televizory s úhlopříčkou 43" nebo větší musí být zdvihány a přenášeny minimálně dvěma osobami.
- Ta televizor ne vsebuje delov, ki jih lahko popravi uporabnik. V primeru napake stopite v stik s proizvajalcem ali pooblaščenim servisom. Stik z določenimi deli v televizorju vam lahko ogrozijo življenje. Garancija ne zajema okvar, ki so jih povzročila popravila s strani nepooblaščenih tretjih oseb.
- Ne odstranjujte zadnjega dela naprave.
- Ta naprava je zasnovana za sprejemanje in predvajanje video in zvočnih signalov. Vsak drug način uporabe je strogo prepovedan.
- Televizorja ne izpostavljajte polivanju ali škropljenju.
- Če želite izklopiti televizor iz omrežnega napajanja, odklopite el. vtič iz napajalne vtičnice.
- Če se napajalni kabel poškoduje, ga mora zamenjati proizvajalec, usposobljen serviser ali podobno usposobljena oseba, saj je le tako zagotovljena ustreza varnost.
- Priporočljiva razdalja za gledanje HD-televizorja je približno petkrat večja od diagonale zaslona. Odsevi drugih virov svetlobe na zaslonu lahko poslabšajo kakovost slike.
- Televizorja ne shranjujte poleg drugih naprav in delov pohištva in zagotovite zadostno prezračevanje.
- Izdelek namestitev vsaj 5 cm od stene zaradi prezračevanja.
- Zagotovite, da so prezračevalne odprtine proste in jih ne ovirajo predmeti, ko so časopisi, kuhinjske krpe, zavese ipd.
- Televizor je zasnovan za uporabo v zmernih podnebni območjih.
- Televizor je zasnovan samo za uporabo v suhih prostorih. Če televizor uporabljate zunaj, ga morate zaščititi pred vlago (dež, škropljenje vode). Nikoli ne izpostavljajte vlagi.
- Na televizor ne postavljajte predmetov, posod s tekočinami, kot so vaze ipd. Lahko se prevrnejo in ogrozijo varnost. Televizor lahko postavite samo na ravne in stabilne površine. Na ali pod televizor ne postavljajte predmetov, kot so časopisi ali odeje.
- Prepričajte se, da naprava ne stoji na napajalnih kablilih, saj jih lahko poškodujete. Mobilni telefoni in druge naprave, kot so adapterji WLAN, nadzorne kamere z brezžičnim prenosom signala ipd. lahko povzročijo elektromagnetno interferenco, zato jih ne postavljajte v bližino naprave.
- Naprave ne postavljajte v bližino grelnih enot ali na neposredno sončno svetlobo, saj to lahko negativno vpliva na njeno hlajenje. Vročina je nevarna in lahko zelo skrajša življenjsko dobo naprave. Za varno delovanje naj umazanijo z naprave odstrani za to usposobljena oseba.
- Pazite na to, da se napajalni kabel ali napajalnik ne poškodujeta. Napravo lahko povežete le s priloženim napajalnim kablom in napajalnikom.
- Nevihti so nevarne za vse električne naprave. Če v napajalne ali antenske kable udari strela, lahko poškoduje napravo, tudi če je ta izključena. Pred nevihto izklopite vse kable in priključke iz naprave.

- Za čiščenje zaslona naprave uporabljajte samo vlažno in mehko krpo. Uporabljajte samo čisto vodo in ne detergentov, v nobenem primeru topil.
- Televizor postavite blizu stene, da v primeru močnejšega stika ne more pasti.
- OPOZORILO - televizorja nikoli ne postavljajte na nestabilna mesta. Lahko namreč pade in povzroči resne poškodbe ali celo smrt. Številnim poškodbam, zlasti otrok, se je moč izogniti s preprostimi ukrepi, kot so:
  - uporaba ohišji ali stojal, ki jih priporoča proizvajalec televizorja.
  - uporaba samo pohištva, ki lahko varno podpira televizor.
  - zagotovite, da televizor ne visi čez rob pohištva, ki ga podpira.
  - televizorja ne postavljajte na visoko pohištvo (npr. omare ali knjižne police) brez pritrdjevanja tako pohištva kot televizorja na ustrežno podporo.
  - televizorja ne postavljajte na krpe ali druge materiale med pohištvo in televizorjem.
  - podučite otroke o nevarnostih plezanja na pohištvo, da bi dosegli televizor ali njegova upravljalna mesta.
  - zagotovite, da otroci ne bodo plezali ali se obešali po televizorju.
  - če televizor prenašate, bodite prav tako pozorni in upoštevajte zgornja navodila.
- Spodnja navodila predstavljajo varnejši način namestitve televizorja, tako da ga fiksirate na steno. Tako televizor ne more pasti naprej in povzročiti poškodb in škode.
- Za tovrstno namestitev boste potrebovali pritrditveni kabel.
  - A) Z enim/obema zgornjima montažnima luknjama in vijaki (priloženi v montažnih luknjah) pritrdite en konec pritrditvenega kabla na televizor.
  - B) Drug konec pritrditvenega kabla pritrdite na steno.
- Programska oprema na vašem televizorju in postavitve zaslonskega menija (OSD) se lahko brez predhodnega obvestila spremenijo.
- Opomba: V primeru elektrostatičnega praznjenja (ESD) aparat lahko prikazuje nepravilno funkcijo. V teh primerih izklopite in ponovno vklopite televizor. Televizor bo deloval normalno.

### Opozorilo:

- Televizorja ne uporabljajte takoj po razpakiranju. Počakajte, da se TV ogreje na sobno temperaturo, preden ga začnete uporabljati.
- Na delujočo napravo nikoli ne povežite zunanjih naprav. Pri povezovanju izklopite tako televizor kot naprave, ki jih želite povezati! Televizor vključite v el. vtičnico zatem, ko povežete zunanje naprave in anteno!
- Pazite na to, da je dostop do el. vtiča televizorja vedno prost.
- Naprava ni zasnovana za uporabo v delovnem prostoru, opremljenem z monitorji.
- Sistematska uporaba slušalk pri visoki glasnosti lahko povzroči nepovratne poškodbe sluha.
- Napravo in vse komponente, vključno z baterijami, morate odstraniti v skladu z okoljevarstvenimi predpisi. Če niste prepričani, za podrobnosti o recikliranju stopite v stik z lokalnimi oblastmi.
- Pri namestitvi naprave upoštevajte, da so površine pohištva obdelane z različnimi laki, umetnimi materiali ipd. ali polirane. Kemikalije, ki jih ti izdelki vsebujejo, lahko povzročijo reakcijo s stojalom televizorja. Te lahko povzročijo, da se delci materiala prilepijo na površino pohištva, ki jih je potem težko ali nemogoče odstraniti.
- Zaslona vašega televizorja je bil izdelan v pogojih najvišje kakovosti in večkrat podrobno preverjen za odkrjanje slikovne pike. Tehnološke lastnosti proizvodnega postopka onemogočajo izločitev manjšega števila okvarjenih pik na zaslonu (tudi ob najnatčanjši proizvodnji). Te slikovne pike kot okvare niso zajete v garancijskih pogojih, če njihovo število ni večje od omejitev standarda DIN.
- Proizvajalec ne more biti odgovoren za podporo strankam v zvezi s težavami vsebin ali storitev tretjih oseb. Vsa vprašanja, komentarji ali servisna povpraševanja v zvezi z vsebino ali storitvami tretjih oseb naslovite neposredno na določenega proizvajalca ali ponudnika teh vsebin ali storitev.
- Obstajajo številni razlogi, da ne morete dostopati do vsebin ali storitev z naprave, ki niso povezane s samo napravo, kot so na primer izpad energije, internetna povezava ali nepravilna nastavitve naprave. UMC Poland,

njegovi direktorji, vodje, zaposleni, agenti, pogodbeniki in podružnice niso odgovorne vam ali tretjim osebam v zvezi s tovrstnimi napakami ali prekinitvami zaradi vzdrževanja, ne glede na razlog in dejstvo, da bi se bilo temu mogoče izogniti.

- Vsa tretjosebna vsebina ali storitev, dostopne prek te naprave, vam je ponujena na osnovi "kot je" in "kot na voljo" in družba UMC Poland in podružnice ne jamčijo ali kakor koli predstavljajo, bodisi izrecno ali nakazano, vključujoč brez omejitev vsa jamstva trgovstva, nekršitev, jamstva primernosti za določen namen ali jamstvo ustreznosti, dostopnosti, natančnosti, popolnosti, varnosti, naslova, uporabnosti, zapostavljanja ali brezhlebnega ali neprekinjenega delovanja ali uporabe ponujenih storitev ali vsebin, oziroma da bodo storitve ali vsebine zadovoljile vaša pričakovanja ali zahteve.
- Družba 'UMC Poland' ni njihov agent in ne prevzema odgovornosti niti za dejanja ali zapustitve tretjosebnih vsebin ali storitev ponudnikov niti za vsakršne oblike vsebin ali storitev v zvezi s tovrstnimi tretjosebnimi ponudniki.
- V nobenem primeru družba 'UMC Poland' in/ali podružnice ne bodo odgovorne vam ali tretjim osebam za vsako neposredno, posredno, posebno, naključno, kazensko, posledično ali drugo vrsto škode, če odgovornost temelji na pogodbi, sporu, malomarnosti, razveljavitvi jamstva, strogi odgovornosti ali na drugem in če je bila družba UMC Poland in/ali podružnice obveščena o možnosti tovrstne škode ali ne.
- **Ta izdelek vsebuje tehnologijo, ki je predmet določenih pravic intelektualne lastnine družbe Microsoft. Uporaba ali distribucija te tehnologije zunaj tega izdelka brez licence družbe Microsoft ni dovoljeno.**
- **Lastniki vsebin uporabljajo tehnologijo za dostopanje do vsebin Microsoft PlayReady™ za zaščito svojih intelektualnih lastnin, vključno z avtorsko vsebino. Ta naprava vsebuje tehnologijo PlayReady za dostop do zaščitene vsebine PlayReady in/ali zaščitene vsebine WMDRM. Če naprava ne uveljavi ustreznih omejitev uporabe vsebine, lahko lastniki vsebin od Microsofta zahtevajo, da ukine možnost naprave, da uporablja zaščiteno vsebino PlayReady. Preklic ne bi smel vplivati na nezaščiteno vsebino ali vsebino, ki jo je zaščitila druga tehnologija za zaščito vsebine. Lastniki vsebin lahko zahtevajo, da nadgradite PlayReady za dostop do njihove vsebine. Če nadgradnjo zavrnete, ne boste mogli dostopati do vsebine, ki potrebuje nadgradnjo.**

## Pomembne informacije glede uporabe video iger, računalnikov, podnapisov in drugih nespremenljivih slikovnih zaslonih.

- Podaljšana uporaba nespremenljivega slikovnega programskega materiala lahko na LCD zaslonu pusti "zasenčeno sliko" (pogosto nepravilno imenovana tudi "vžgana slika"). Ta zasenčena slika je nato stalno vidna na ozadju zaslona. Tega se ne da odpraviti. Lahko pa se škodi izognete, tako da sledite spodnjim navodilom:
- Zmanjšajte nastavitve svetlosti/kontrasta na najmanjšo raven gledanja.
- Ne prikazujte nespremenljive slike daljše časovno obdobje. Ne prikazujte:
  - » časa teleteksta in tabel,
  - » menija televizorja/DVD-ja, npr. DVD vsebin,
  - » v načinu "prekinitve" (hold): Tega načina ne uporabljajte dlje časa, npr. med gledanjem DVD-ja ali videa.
  - » Če naprave ne uporabljate, jo izključite

## Baterije

- Pri vstavljanju baterij pazite na pravilno polariteto.
- Baterij ne izpostavljajte visokim temperaturam in ne postavljajte jih na mesta, kjer se temperatura lahko hitro dvigne, npr. blizu ognja ali na neposredni sončni svetlobi.
- Baterij ne izpostavljajte prekomerni vročini, ne mečite v ogenj, ne razstavljajte in ne poskušajte polniti baterij, ki niso namenjene ponovnemu polnjenju. Lahko začnejo puščati ali eksplodirajo.



Cd

- » Nikoli ne uporabljajte skupaj različnih baterij in ne mešajte novih in starih.
- » Baterije odložite v skladu z okoljevarstvenimi predpisi.
- » Večina držav EU ima zakonsko urejeno odlaganje baterij.

## POZOR:

- LASERSKI IZDELEK RAZREDA 1 (nanaša se na modele z vgrajenim DVD-predvajalnikom). Ta opozorilna oznaka je na zadnji plošči enote.
- TA ENOTA JE LASERSKI IZDELEK RAZREDA 1. TA ENOTA UPORABLJA VIDEN LASERSKI ŽAREK, KI LAHKO Z USMERITVJO POVZROČI NEVARNO IZPOSTAVLJENOST SEVANJU. ZAGOTOVITE PRAVILNO UPRAVLJANJE NAPRAVE V SKLADU Z NAVODILI.
- KO JE TA ENOTA PRIKLJUČENA V STENSKO VTIČNICO, Z OČMI NE GLEJTE V NOTRANJOST TE ENOTE SKOZI ODPRTINE.
- UPORABA UPRAVLJALNIKOV ALI NASTAVITEV ALI IZVEDBA POSTOPKOV, KI NA TEM MESTU NISO NAVEDENI, LAHKO POVZROČI NEVARNO IZPOSTAVLJANJE SEVANJU.
- POKROVOV NE ODIRAJTE SAMI IN JIH TUDI NE POPRAVLJAJTE. ZA SERVISIRANJE STOPITE V STIK Z USPOSOBLJENIM OSEBJEM.

## Odlaganje

- Ta televizor ne smete odložiti med nerazvrščene lokalne odpadke. Vrnite ga v namensko centre za recikliranje odpadnih elektronskih naprav in elektronske opreme. Tako boste pripomogli k ohranjanju virov in zaščiti okolja. Za več informacij stopite v stik s prodajalcem ali lokalnimi oblastmi.



## Izjava CE:

- Družba UMC Poland Sp. z o.o. izjavlja, da je ta LED TV skladen z osnovnimi zahtevami in drugimi relevantnimi določili direktive RED 2014/53/EU. [www.sharpconsumer.eu/documents-of-conformity/](http://www.sharpconsumer.eu/documents-of-conformity/). Celotno besedilo izjave o skladnosti EU je na voljo na povezavi: [www.sharpconsumer.eu/documents-of-conformity/](http://www.sharpconsumer.eu/documents-of-conformity/). To opremo je dovoljeno uporabljati v državah EU. Največja moč oddajanja Wi-Fi: 100 mW pri 2,412 GHz – 2,472 GHz

## Kaj je priloženo

### Dobava tega televizorja vključuje sledeče:

- |                             |   |
|-----------------------------|---|
| • 1x televizor              | • 1x namestitveni paket stojala televizorja                               |
| • 1x daljinski upravljalnik | • 1x Hitri vodič  |
| • 2x AAA bateriji           | • 1x komplet za stensko montažo (4x vijak M6x35 in 4x plastični vmesnik)* |

\* - Na voljo samo za 50" modele

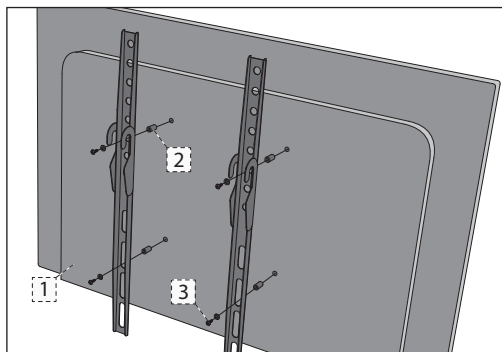
## Namestitev stojala

Upoštevajte navodila na tehničnem listu z navodili, ki je v torbi s pripomočki.

## Stenska montaža televizorja

1. Odstranite štiri vijake, ki so priloženi v odprtinah za stensko montažo.
2. Sedaj lahko okvir za montažo enostavno namestite v odprtine za montažo na zadnji strani televizorja.
3. Montažno okovje na televizor namestite v skladu s priporočili proizvajalca okovja.

Ko nameščate nosilce za stensko montažo na 50" model, namesto priloženih vijakov v odprtine za stensko montažo priporočamo uporabo daljših vijakov in vmesnikov, ki so vključeni v paket s pripomočki. Vmesnike vstavite v odprtine za stensko montažo, ki je na zadnji strani televizorja, nato nanje postavite stenske nosilce. Pritrдите nosilce in vmesnike na televizor z daljšimi vijaki, kot je prikazano spodaj:



1. TELEVIZOR
2. PRESLEDEK
3. VIJAK

**OPOMBA:** TV in vrsta stenskega nosilca, prikazana v diagramu, služi samo kot prikaz.

## Priključki

Za povezovanje zunanjih naprav glejte zadnjo stran tega dokumenta.

## Začetek - začetna namestitvev

1. Z RF-kablom povežite televizor s stensko vtičnico antene.
2. Za povezavo z internetom prek žične povezave povežite kabel Cat 5/Ethernet (ni priložen) s televizorja v vaš širokopasovni modem/ usmerjevalnik.
3. Vstavite priložene baterije v daljinski upravljalnik.
4. Povežite napajalni kabel z električno vtičnico.
5. Sedaj nadaljujte z naslednjimi koraki za nastavitvev televizorja.
6. Po vklopu televizorja vas bo pozdravil meni **Prva namestitvev**. Če se ne pojavi na daljinskem upravljalniku, pritisnite [MENI], nato 8-8-8-8 in meni se bo pojavil. Če želite spremeniti katero od privzetih nastavitvev, uporabite smerne gumbе ▲/▼/◀/▶. Za izhod iz tega menija pritisnite gumb [EXIT].
7. **Prosimo, da nastavite zelene nastavitvev na zaslonu PRVA NASTAVITVEV.**

## Gumbi\* televizorja

**Vol+** zvišanje glasnosti in meni desno

**Vol-** zmanjšanje glasnosti in meni levo

**CH+** program/kanal gor in meni gor

**CH-** program/kanal dol in meni dol

**MENU** prikaz menija/zaslonskega menija

**SOURCE** prikaz menija vhodnega vira

**STANDBY** vklop/izklop stanja pripravljenosti

\* - za televizorje z gumbi

## TV-upravljalna palica\*

TV-upravljalna palica se nahaja na spodnjem levem kotu zadnje strani televizorja. Lahko ga uporabljate namesto daljinskega upravljalnika za upravljanje večine funkcij vašega televizorja.

**Ko je televizor v stanju pripravljenosti.**

- kratek pritisk na upravljalno palico - vklop

**Ko gledate televizor:**

- DESNO/LEVO - zvišanje/znižanje glasnosti
- GOR/DOL - sprememba kanala gor/dol
- kratek pritisk - prikaz menija
- dolg pritisk - način pripravljenosti O

**Ko ste v meniju:**

- DESNO/LEVO/GOR/DOL - krmarjenje s kazalcem v zaslonskih menjilih
- kratek pritisk - OK/potrdi izbrani element
- dolg pritisk - nazaj na prejšnji meni

\* - za televizorje z upravljalno palico

## Izbiranje načina vhoda/vira

Za preklap med različnimi vhodi/priključki.

**a) Z gumbi na daljinskem upravljalniku:**

1. Pritisnite [SOURCE/☐] - prikazan bo meni vira.
2. Pritisnite [◀] or [▶] za izbiro želenega vhoda.
3. Pritisnite [OK].

**b1) Uporaba gumbov\* na televizorju:**

1. Pritisnite [SOURCE].
2. Pomaknite se gor/dol z gumbi VOL+/VOL- na zeleni vhod/vir.
3. Pritisnite [SOURCE] za spremembo vhoda/vira na želenega.

**b2) Uporaba upravljalne palice\* televizorja:**

1. Za vstop v meni na kratko pritisnite na upravljalno palico.
2. Pritisnite navzdol in pomaknite kazalec na meni SOURCES (VIRI).
3. Za vstop v meni SOURCES na kratko pritisnite na upravljalno palico.
4. z upravljalno palico izberite zelen vhod/vir.
5. S kratkim pritiskom upravljalne palice boste spremenili vhod/vir na zelenega.

\* -  **dodatno**

## Navigacija po TV-menijih

Za dostop do tega menija pritisnite gumb [MENU] na daljinskem upravljalniku. Če želite vstopiti v meni, pritisnite [OK]. Če želite spremeniti katero od privzetih nastavitvev, uporabite smerne gumbne ▲/▼/◀/▶. Za potrditev nastavitvev pritisnite gumb [OK]. Za izhod iz tega menija pritisnite gumb [EXIT].

## Elektronski priročnik z navodili

Če želite prikazati Spletni priročnik, pritisnite gumb [MENU] in izberite Nastavitve>O televizorju>Pomoč>Ogled spletnega priročnika.

## Daljinski upravljalnik

Ogled v priročniku na TV-zaslону.

## Σημαντικές οδηγίες ασφάλειας



**Διαβάστε αυτές τις οδηγίες ασφάλειας και λάβετε υπόψη τις ακόλουθες προειδοποιήσεις πριν λειτουργήσετε τη συσκευή:**

**Για την αποφυγή φωτιάς, έχετε πάντοτε σε απόσταση από το προϊόν αυτό κεριά ή άλλου είδους φλόγες.**



- Οι τηλεοράσεις με μέγεθος οθόνης 43" ή περισσότερο πρέπει να ανυψώνονται και να μεταφέρονται τουλάχιστον από δύο άτομα.
- Η τηλεόραση αυτή δεν περιέχει τμήματα που μπορούν να επισκευαστούν από τον χρήστη. Σε περίπτωση βλάβης, επικοινωνήστε με τον κατασκευαστή ή τον εξουσιοδοτημένο αντιπρόσωπο σέρβις. Η επαφή με ορισμένα τμήματα στο εσωτερικό της τηλεόρασης μπορεί να φέρει σε κίνδυνο τη ζωή σας. Η εγγύηση δεν καλύπτει βλάβες που προκαλούνται από επισκευές που έχουν πραγματοποιηθεί από μη εξουσιοδοτημένα τρίτα μέρη.
- Μην αφαιρείτε το πίσω τμήμα της συσκευής.
- Η συσκευή αυτή έχει σχεδιαστεί για τη λήψη και αναπαραγωγή σημάτων βίντεο και ήχου. Οποιαδήποτε άλλη χρήση απαγορεύεται αυστηρώς.
- Μην εκθέτετε την τηλεόραση σε στάσιμη ή πιτσιλιώδη υγρασία.
- Για να αποσυνδέσετε την τηλεόραση από την παροχή ρεύματος, τραβήξτε το βύσμα του καλωδίου από την πρίζα.
- Αν το καλώδιο τροφοδοσίας παρουσιάζει φθορά, πρέπει να αντικατασταθεί από τον κατασκευαστή, έναν αντιπρόσωπο σέρβις ή από άλλο εξουσιοδοτημένο άτομο για την αποφυγή κινδύνων.
- Η συστημένη απόσταση παρακολούθησης τηλεόρασης σε υψηλή ευκρίνεια (HD TV) είναι πενταπλάσια από το ύψος της οθόνης. Οι ανακλάσεις άλλων πηγών φωτισμού στην οθόνη μπορεί να επιδεινώσουν την ποιότητα της εικόνας.
- Βεβαιωθείτε πως εξασφαλίζεται επαρκής αερισμός για την τηλεόραση και πως δεν είναι κοντά σε άλλες συσκευές και άλλα έπιπλα.
- Εγκαταστήστε το προϊόν τουλάχιστον 15 εκατ. μακριά από τον τοίχο για επαρκή αερισμό.
- Βεβαιωθείτε πως τα ανοίγματα αερισμού δεν καλύπτονται από εφημερίδες, τραπεζομάντιλα, κουρτίνες, κτλ.
- Η τηλεόραση έχει σχεδιαστεί για χρήση σε ήπιο κλίμα.
- Η τηλεόραση έχει σχεδιαστεί αποκλειστικά για λειτουργία σε ξηρό μέρος. Κατά τη χρήση της τηλεόρασης σε εξωτερικό χώρο, βεβαιωθείτε πως προστατεύεται από την υγρασία (βροχή, πιτσιλιώδη από νερό). Ποτέ μην την εκθέτετε σε υγρασία.
- Μην τοποθετείτε οποιοδήποτε αντικείμενο, δοχείο με υγρό, όπως βάζο, κ.τ.λ. στην τηλεόραση. Αν τα δοχεία αυτά κουνηθούν, μπορεί να αποτελέσουν απειλή για την ηλεκτρική ασφάλεια. Τοποθετήστε την τηλεόραση αποκλειστικά σε επίπεδες και σταθερές επιφάνειες. Μην τοποθετείτε αντικείμενα όπως εφημερίδες ή κουβέρτες, κτλ. επάνω ή κάτω από την τηλεόραση.
- Βεβαιωθείτε πως η συσκευή δεν είναι τοποθετημένη επάνω σε ηλεκτρικά καλώδια, καθώς αυτά μπορεί να φθαρούν. Κινητά τηλέφωνα και άλλες συσκευές όπως προσαρμογείς WLAN, κάμερες παρακολούθησης με ασύρματη μετάδοση σήματος, κτλ. μπορεί να προκαλούν ηλεκτρομαγνητική παρεμβολή και δεν θα πρέπει να τοποθετούνται κοντά στη συσκευή.
- Μην τοποθετείτε τη συσκευή κοντά σε θερμαντικά στοιχεία ή σε μέρος που εκτίθεται απευθείας σε ηλιακό ήως, καθώς αυτό μπορεί να επηρεάσει δυσμενώς την υψή της συσκευής. Η συσσώρευση θερμότητας είναι επικίνδυνη και μπορεί να μειώσει σημαντικά τη διάρκεια ζωής της συσκευής. Προκειμένου να διασφαλιστεί η ασφάλεια, ζητήστε από ένα εξουσιοδοτημένο άτομο να απομακρύνει τη σκόνη από τη συσκευή.
- Προσπαθήστε να αποφύγετε την πρόκληση φθοράς στο καλώδιο τροφοδοσίας ή στο μετασχηματιστή ρεύματος. Η συσκευή μπορεί να συνδεθεί μόνο με τον παρεχόμενο μετασχηματιστή/καλώδιο τροφοδοσίας.
- Η καταγίδες είναι επικίνδυνες για όλες τις ηλεκτρικές συσκευές. Αν υποστεί ζημιά η καλώδιος τροφοδοσίας ή της κεραίας από κεραυνό, είναι πιθανό να προκληθεί βλάβη στη συσκευή, ακόμα και αν είναι απενεργοποιημένη. Θα πρέπει να αποσυνδέετε όλα τα καλώδια και τα βύσματα από τη συσκευή πριν από μια καταιγίδα.
- Για να καθαρίσετε την οθόνη της συσκευής, χρησιμοποιείτε μόνο ένα νυπό και μαλακό πανί. Χρησιμοποιείτε μόνο καθαρό νερό, ποτέ καθαριστικά και σε καμία περίπτωση μη χρησιμοποιήσετε διαλυτικά.
- Τοποθετήστε την τηλεόραση κοντά στον τοίχο για την αποφυγή της πιθανότητας να πέσει αν την σπρώξετε.
- ΠΡΟΕΙΔΟΠΟΙΗΣΗ - Ποτέ μην τοποθετείτε την τηλεόραση σε ασταθές σημείο. Η τηλεόραση μπορεί να πέσει, προκαλώντας σοβαρό ατομικό τραυματισμό ή θάνατο. Πολλοί τραυματισμοί, ιδιαίτερα παιδιών, μπορούν να αποτραπούν λαμβάνοντας απλά μέτρα προστασίας, όπως:
- Χρησιμοποιείτε έπιπλα ή βάσεις που συντήνονται από τον κατασκευαστή της τηλεόρασης.
- Χρησιμοποιείτε μόνο έπιπλα που μπορούν να υποστηρίξουν με ασφάλεια την τηλεόραση.
- Βεβαιωθείτε πως η τηλεόραση δεν προεξέχει από την άκρη του επίπλου στο οποίο στηρίζεται.
- Μην τοποθετείτε την τηλεόραση σε ψηλό έπιπλο (για παράδειγμα, ντουλάπια σερβιτών ή βιβλιοθήκες) χωρίς να αγκυρώσετε τόσο το έπιπλο όσο και την τηλεόραση με κατάλληλη στήριξη.
- Μην τοποθετείτε την τηλεόραση σε ύψαμα ή άλλο υλικό που μπορεί να βρίσκεται μεταξύ της τηλεόρασης και του επίπλου στο οποίο στηρίζεται.
- Εκπαιδύστε τα παιδιά σχετικά με τον κίνδυνο που υπάρχει όταν σκαρφαλώνουν στο έπιπλο για να φτάσουν την τηλεόραση ή το χειριστήριο της.
- Βεβαιωθείτε πως τα παιδιά δεν σκαρφαλώνουν και δεν κρέμονται από την τηλεόραση.
- Αν διατηρήσετε την υπάρχουσα τηλεόρασή σας και την τοποθετήσετε σε άλλη θέση, τα ίδια μέτρα θα πρέπει να ληφθούν, όπως παραπάνω.
- Οι οδηγίες που παρουσιάζονται παρακάτω είναι ο ασφαλέστερος τρόπος εγκατάστασης της τηλεόρασης, στερεώνοντάς την στον τοίχο, αποφεύγοντας έτσι την πιθανότητα να πέσει προς τα εμπρός και να προκαλέσει τραυματισμό και βλάβη.
- Για αυτόν τον τύπο εγκατάστασης, θα χρειαστεί καλώδιο στερέωσης.
  - A) Χρησιμοποιήστε μια/ια τις δύο όπες επιτοίχιας στήριξης και βιδέστε στον επάνω μέρος (οι βίδες παρέχονται ήδη μέσα στις όπες επιτοίχιας στήριξης) στηρίξτε το ένα άκρο του καλωδίου στερέωσης στην τηλεόραση.
  - B) Ασφαλίστε το άλλο άκρο του/των καλωδίου/ων στερέωσης στον τοίχο.
- Το λογισμικό που περιέχεται στην τηλεόραση και η διάταξη OSD (προβολής μηνυμάτων επί της οθόνης) μπορούν να αλλάξουν χωρίς ειδοποίηση.
- Σημείωση: Σε περίπτωση ηλεκτροστατικής εκκένωσης (ESD), η συσκευή μπορεί να μη λειτουργεί σωστά. Σε τέτοια περίπτωση, απενεργοποιήστε την τηλεόραση και ενεργοποιήστε την ξανά. Η τηλεόραση θα λειτουργήσει κανονικά.

### Προειδοποίηση:

- Μην χρησιμοποιείτε την τηλεόραση απευθείας μόλις την αφαιρέσετε από τη συσκευασία. Περιμένετε ώσπου να ζεσταθεί η τηλεόραση σε θερμοκρασία δωματίου πριν την χρησιμοποιήσετε.
- Ποτέ μη συνδέετε οποιαδήποτε εξωτερική συσκευή σε μια συσκευή που είναι ενεργοποιημένη. Απενεργοποιήστε όχι μόνο την τηλεόραση, αλλά

επίσης τις συσκευές που πρόκειται να συνδέσετε! Συνδέστε το βύσμα της τηλεόρασης στην ηλεκτρική πρίζα αφού συνδέσετε οποιαδήποτε εξωτερική συσκευή για την κεραία!

- Βεβαιώνετε πάντοτε πως η πρόσβαση στο καλώδιο τροφοδοσίας της τηλεόρασης δεν παρεμποδίζεται.
- Η συσκευή δεν έχει σχεδιαστεί για χρήση σε θέση εργασίας εξοπλισμένη με οθόνες.
- Η συστηματική χρήση ακουστικών σε υψηλή ένταση ήχου μπορεί να οδηγήσει σε μη αντιστρέψιμη απώλεια ακοής.
- Εξασφαλίστε την απόρριψη της συσκευής και οπωσδήποτε εξαρτημάτων, περιλαμβανομένων των μπαταριών, με τρόπο που δεν θίγει το περιβάλλον. Αν έχετε αμφιβολία, επικοινωνήστε με την τοπική αρχή για πληροφορίες σχετικά με την ανακύκλωση.
- Κατά την εγκατάσταση της συσκευής, μην ξεχνάτε πως οι επιφάνειες που επίπλων έχουν επικάλυψη από βερνίκι, πλαστικό χρώμα, κτλ. ή μπορεί να είναι γυαλισμένες. Ενδέχεται να προκληθεί αντίδραση ανάμεσα στα χημικά που περιέχονται στα προϊόντα αυτά και στη βήση της τηλεόρασης. Αυτό μπορεί να έχει ως αποτέλεσμα να κολλήσουν τμήματα του υλικού στην επιφάνεια του επίπλου και είναι πιθανό να είναι δύσκολο, αν όχι αδύνατο, να ξεκολλήσουν.
- Η οθόνη της τηλεόρασής σας έχει παραχθεί υπό τις πιο υψηλές συνθήκες και έχει ελεγχθεί λεπτομερώς για ελαττωματικά πιξέλ. Λόγω των τεχνολογικών ιδιοτήτων της διαδικασίας κατασκευής, είναι αδύνατο να αποκλειστεί η ύπαρξη μικρού αριθμού ελαττωματικών σημείων στην οθόνη (ακόμη και με τη μέγιστη φρονιδια κατά την παραγωγή). Τα ελαττωματικά αυτά πιξέλ δεν θεωρούνται βλάβη σύμφωνα με τους όρους της εγγύησης, εφόσον το πλήθος τους δεν είναι μεγαλύτερο από τα όρια που καθορίζονται από την οδηγία DIN.
- Ο κατασκευαστής δεν φέρει καμία ευθύνη και δεν έχει καμία υποχρέωση έναντι ζητημάτων εξυπηρέτησης του πελάτη που σχετίζονται με περιεχόμενο ή υπηρεσίες τρίτων. Οποιοδήποτε ερωτήσες, σχόλια ή αιτήματα εξυπηρέτησης του πελάτη που σχετίζονται με περιεχόμενο ή υπηρεσία τρίτων θα πρέπει να απευθύνονται απευθείας στον αρμόδιο πάροχο του περιεχομένου ή της υπηρεσίας.
- Είναι πιθανό να μην έχετε πρόσβαση σε περιεχόμενο ή υπηρεσίες από τη συσκευή για ένα πλήθος λόγων που δεν σχετίζονται με την ίδια τη συσκευή, περιλαμβανομένων, ενδεικτικά και όχι περιοριστικά, διακοπής ρεύματος, προβλήματος της σύνδεσης στο ίντερνετ, ή αποτυχίας σωστής διαμόρφωσης της συσκευής. Η εταιρεία UMC Poland, καθώς και οι διευθυντές, προϊστάμενοι, υπάλληλοι, εκπρόσωποι, ανάδοχοι και οι θυγατρικές της εταιρείας δεν έχουν καμία υποχρέωση ενώπιον του πελάτη ή οποιουδήποτε τρίτου όσον αφορά σε τέτοιου είδους αστοχίες ή διακοπές συντήρησης, ανεξαρτήτως της αιτίας ή της πιθανότητας αποφυγής τους.
- Κάθε περιεχόμενο ή υπηρεσία τρίτων, στα οποία είναι δυνατή η πρόσβαση μέσω αυτής της συσκευής, παρέχεται σε σας "ως είναι" και "ως διατίθεται", η δε εταιρεία UMC Poland και οι θυγατρικές της δεν παρέχουν καμία εγγύηση ή εκπροσώπηση οποιασδήποτε φύσης προς τον πελάτη, ρητή ή σιωπηρή, περιλαμβανόμενης ενδεικτικά και όχι περιοριστικά οποιασδήποτε εγγυήσεως εμπνευσσιμότητας, μη παραβίασης δικαιωμάτων, καταλληλότητας για συγκεκριμένο σκοπό ή οποιασδήποτε εγγυήσεως καταλληλότητας, διαθεσιμότητας, ακρίβειας, πληρότητας, ασφάλειας, τίτλου, χρησιμότητας, απουσίας αμέλειας, λειτουργίας απαλλαγμένης από σφάλματα, αδιάλειπτης λειτουργίας, χρήσης περιεχομένου ή υπηρεσιών που παρέχονται προς τον πελάτη, καθώς και τυχόν εγγυήσεως ότι το περιεχόμενο ή οι υπηρεσίες θα ανταποκρίνονται στις απαιτήσεις ή τις προσδοκίες του πελάτη.
- Η 'UMC Poland' δεν είναι αντιπρόσωπος και δεν αναλαμβάνει καμία ευθύνη για τις πράξεις ή τις παραλείψεις τρίτων παρόχων περιεχομένου ή υπηρεσιών, καθώς και για οποιαδήποτε πτυχή περιεχομένου ή υπηρεσιών που σχετίζεται με τους εν λόγω τρίτους παρόχους.
- Η 'UMC Poland' και/ή οι θυγατρικές της δεν έχουν σε καμία περίπτωση καμία υποχρέωση ενώπιον του πελάτη ή κανενός τρίτου για οποιοδήποτε άμεσες, έμμεσες, ειδικές, απρόβλεπτες, ποινικές, συναγεγόμενες ή άλλες ζημίες, είτε η θεωρούμενη υποχρέωση βασίζεται σε σύμβαση, αδικπραξία, αμέλεια, ρήξη εγγύησης, ορθή ή άλλη

υποχρέωση και ανεξάρτητα από το αν η UMC Poland και/ή οι θυγατρικές της εδοιοπίθησαν για την πιθανότητα ανάκαυψης των εν λόγω ζημιών.

- **Αυτό το προϊόν περιέχει τεχνολογία που υπόκειται σε ορισμένα δικαιώματα πνευματικής ιδιοκτησίας της Microsoft. Απαγορεύεται η χρήση ή διανομή της εν λόγω τεχνολογίας ξεχωριστά από το προϊόν αυτό χωρίς την(τις) απαραίτητη(ες) άδεια(ες) από τη Microsoft.**
- **Οι κάτοχοι περιεχομένου χρησιμοποιούν τη τεχνολογία πρόσβασης περιεχομένου Microsoft PlayReady™ για προστασία της πνευματικής τους ιδιοκτησίας, όπως περιεχόμενο που καλύπτεται από πνευματικά δικαιώματα. Η συσκευή αυτή χρησιμοποιεί τεχνολογία PlayReady για πρόσβαση σε προστατευόμενο περιεχόμενο PlayReady και/ή WMDRM. Αν η συσκευή αποτύχει να εφαρμόσει κατάλληλους περιορισμούς για τη χρήση του περιεχομένου, οι πάροχοι περιεχομένου ενδέχεται να απαιτήσουν από τη Microsoft να ανακαλέσει την δυνατότητα της συσκευής για κατανάλωση προστατευμένου περιεχομένου PlayReady. Η ανάκληση δεν θα πρέπει να επηρεάζει μη προστατευόμενο περιεχόμενο ή περιεχόμενο που προστατεύεται από άλλες τεχνολογίες πρόσβασης σε περιεχόμενο. Οι κάτοχοι περιεχομένου μπορεί να απαιτήσουν να εκτελέσετε αναβάθμιση της τεχνολογίας PlayReady προκειμένου να έχετε πρόσβαση στο περιεχόμενο τους. Αν αρνηθείτε να εκτελέσετε την αναβάθμιση, δεν θα είναι δυνατή η πρόσβασή σας στο περιεχόμενο που απαιτεί την αναβάθμιση.**

## Σημαντικές πληροφορίες σχετικά με τη χρήση για βιντεοπαιχνίδια, υπολογιστές, υποτίτλους και προβολές σταθερής εικόνας άλλου είδους

- Η εκτεταμένη χρήση υλικού προγράμματος με σταθερή εικόνα μπορεί να προκαλέσει μόνιμο "σκιάδες είδωλο" στην οθόνη LCD (φαινόμενο που εσφαλμένα αποκαλείται μερικές φορές "κάζιμο της οθόνης"). Στη συνέχεια, το σκιάδες αυτό είδωλο είναι μόνον ορατό στο φόντο της οθόνης. Η βλάβη αυτή είναι μη αντιστρέψιμη. Μπορείτε να αποφύγετε τη βλάβη αυτού του είδους ακολουθώντας τις παρακάτω οδηγίες:
- Μελώστε τη ρύθμιση φωτεινότητας/αντίθεσης στο κατώτατο ορατό επίπεδο.
- Μην προβάλετε σταθερή εικόνα για μεγάλο χρονικό διάστημα. Αποφύγετε την προβολή:
  - » Τη ώρα και πινάκων πληροφοριών teletext,
  - » Του μενού της τηλεόρασης/DVD, π.χ. περιεχόμενα DVD,
  - » Σε κατάσταση "Παύσης" (αναμονή): Μη χρησιμοποιείτε αυτή τη λειτουργία για μεγάλο χρονικό διάστημα, π.χ. κατά την παρακολούθηση ενός DVD ή βίντεο.
  - » Απενεργοποιείτε τη συσκευή αν δεν τη χρησιμοποιείτε.

## Μπαταρίες

- Παρατηρήστε τη σωστή πολικότητα κατά την εισαγωγή των μπαταριών.
- Μην εκθέτε τις μπαταρίες σε υψηλές θερμοκρασίες και μην τις τοποθετείτε σε θέσεις όπου η θερμοκρασία μπορεί να αυξηθεί γρήγορα, π.χ. κοντά σε φωτιά ή σε άμεσο ηλιακό φως.
- Μην εκθέτε τις μπαταρίες σε υπερβολική εκπνευόμενη θερμότητα, μην τις πετάτε στη φωτιά, μην τις αποσυρμολογείτε και μην επιχειρείτε να επαναφορτίσετε με μη επαφορτιζόμενες μπαταρίες. Μπορεί να διαρρεύσουν ή να εκραγούν.
  - » Ποτέ μη χρησιμοποιείτε διαφορετικές μπαταρίες μαζί ή αναμειγνύετε νέες και παλιές μπαταρίες.
  - » Απορριπτε τις μπαταρίες με τρόπο φιλικό προς το περιβάλλον.
  - » Η νομοθεσία των περισσότερων χωρών της ΕΕ περιέχει ρυθμιστικές διατάξεις για την απόρριψη μπαταριών.



Cd

## ΠΡΟΣΟΧΗ:

- ΠΡΟΪΟΝ LASER ΚΛΑΣΗΣ 1 (ισχύει για μοντέλα με ενσωματωμένη συσκευή αναπαραγωγής DVD). Αυτή η ετικέτα προσοχής βρίσκεται στην πλάτη της μονάδας
- Η ΜΟΝΑΔΑ ΑΥΤΗ ΕΙΝΑΙ ΠΡΟΪΟΝ LASER ΚΛΑΣΗΣ 1. Η ΜΟΝΑΔΑ ΑΥΤΗ ΧΡΗΣΙΜΟΠΟΙΕΙ ΜΙΑ ΟΡΑΤΗ ΑΚΤΙΝΑ LASER Η ΟΪΟΙΑ, ΑΝΑΛΟΓΑ ΜΕ ΤΟΝ



ΠΡΟΣΑΝΑΤΟΛΙΣΜΟ ΤΗΣ, ΜΠΟΡΕΙ ΝΑ ΑΠΟΤΕΛΕΣΕΙ ΚΙΝΔΥΝΟ ΕΚΘΕΣΗΣ ΣΕ ΕΠΙΚΙΝΔΥΝΗ ΑΚΤΙΝΟΒΟΛΙΑ. ΒΕΒΑΙΩΘΕΙΤΕ ΠΩΣ ΛΕΙΤΟΥΡΓΕΙΤΕ ΤΗ ΣΥΣΚΕΥΗ ΑΝΑΠΑΡΑΓΩΓΗΣ ΣΩΣΤΑ ΣΥΜΦΩΝΑ ΜΕ ΤΙΣ ΟΔΗΓΙΕΣ.

- ΚΑΤΑ ΤΗ ΣΥΝΔΕΣΗ ΤΗΣ ΜΟΝΑΔΑΣ ΑΥΤΗΣ ΜΕ ΤΗΝ ΠΡΙΖΑ ΣΤΟΝ ΤΟΙΧΟ, ΜΗΝ ΠΛΗΣΙΑΖΕΤΕ ΤΑ ΜΑΤΙΑ ΣΑΣ ΣΤΑ ΑΝΟΙΓΜΑΤΑ ΓΙΑ ΝΑ ΔΕΙΤΕ ΣΤΟ ΕΣΩΤΕΡΙΚΟ ΤΗΣ ΜΟΝΑΔΑΣ.
- ΧΕΙΡΙΣΜΟΙ, ΠΡΟΣΑΡΜΟΓΕΣ Ή ΚΑΙ ΕΚΤΕΛΕΣΗ ΔΙΑΔΙΚΑΣΙΩΝ ΠΕΡΑΝ ΤΩΝ ΠΡΟΔΙΑΓΡΑΦΟΜΕΝΩΝ ΣΤΟ ΠΑΡΟΝ ΕΓΓΡΑΦΟ ΜΠΟΡΕΙ ΝΑ ΕΧΟΥΝ ΩΣ ΑΠΟΤΕΛΕΣΜΑ ΤΗΝ ΕΚΘΕΣΗ ΣΕ ΕΠΙΚΙΝΔΥΝΗ ΑΚΤΙΝΟΒΟΛΙΑ.
- ΜΗΝ ΑΝΟΙΓΕΤΕ ΤΑ ΚΑΛΥΜΜΑΤΑ ΚΑΙ ΜΗΝ ΕΚΤΕΛΕΙΤΕ ΕΞΙΣΕΣ ΕΡΓΑΣΙΕΣ ΕΠΙΣΚΕΥΗΣ. ΑΝΑΤΡΕΞΤΕ ΣΕ ΕΞΟΥΣΙΟΔΟΤΗΜΕΝΟ ΠΡΟΣΩΠΙΚΟ ΓΙΑ ΣΕΡΒΙΣ.

## Απορριψη

- Μην απορριπτετε την τηλεόραση αυτή με τα οικιακά απορρίμματα γενικής φύσης. Επιστρέψτε την σε προορισμένο σημείο περισυλλογής για την ανακύκλωση ΑΗΗΕ (Αποβλήτων Ηλεκτρικού Ηλεκτρονικού Εξοπλισμού). Κάνοντάς το αυτό, συμβάλλετε στη συντήρηση πόρων και στην προστασία του περιβάλλοντος. Επικοινωνήστε με τον τοπικό σας έμπορο ή τις τοπικές αρχές για περισσότερες πληροφορίες.



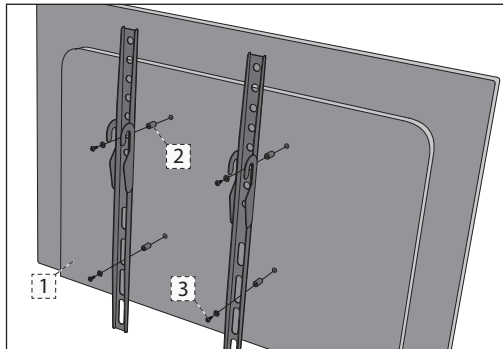
## Δήλωση CE:

- Με το παρόν, η UMC Poland Sp. z o.o. δηλώνει πως αυτή η τηλεόραση LED συμμορφώνεται με τις ουσιαστικές απαιτήσεις και άλλες σχετικές διατάξεις του Κανονισμού Ραδιοεξοπλισμού και τηλεπικοινωνιακού τερματικού εξοπλισμού (RED) 2014/53/EU. [www.sharpconsumer.eu/documents-of-conformity/](http://www.sharpconsumer.eu/documents-of-conformity/).

Το πλήρες κείμενο της δήλωσης συμμόρφωσης με την ΕΕ διατίθεται στο σύνδεσμο [www.sharpconsumer.eu/documents-of-conformity/](http://www.sharpconsumer.eu/documents-of-conformity/). Αυτός ο εξοπλισμός μπορεί να χρησιμοποιηθεί σε όλες τις χώρες της Ε.Ε. Μέγ. ισχύς πομπού Wi-Fi: 100 mW στα 2,412 GHz – 2,472 GHz

3. Εγκαταστήστε τον βραχίονα στήριξης τοίχου στην τηλεόραση σύμφωνα με τις οδηγίες του κατασκευαστή του βραχίονα.

Κατά τη στερέωση των βραχιόνων επίτοιχης στήριξης στο μοντέλο 50" , αντί για τις βίδες που παρέχονται στις οπές επίτοιχης στερέωσης της τηλεόρασης, προτείνεται να χρησιμοποιήσετε τις μακρύτερες βίδες και αποστάτες που περιλαμβάνονται στο πακέτο αξεσουάρ. Τοποθετήστε τους αποστάτες μέσα στις οπές επίτοιχης στήριξης της τηλεόρασης, που βρίσκονται στην πλάτη της τηλεόρασης και, στη συνέχεια, τοποθετήστε πάνω τους τους βραχίονες. Συνδέστε τους βραχίονες και τους αποστάτες στην τηλεόραση χρησιμοποιώντας μακρύτερες βίδες, όπως φαίνεται παρακάτω:



1. ΤΗΛΕΟΡΑΣΗ

2. ΑΠΟΣΤΑΤΗΣ

3. ΒΙΔΑ

**ΣΗΜΕΙΩΣΗ:** Ο τύπος τηλεόρασης και επίτοιχου βραχίονα που φαίνεται στο διάγραμμα είναι απλώς ενδεικτικό.

## Τι περιλαμβάνεται στο κουτί

### Η προμήθεια αυτής της τηλεόρασης περιλαμβάνει τα ακόλουθα τμήματα:

- |                      |   |
|----------------------|---|
| • 1x Τηλεόραση       | • 1x Πακέτο εγκατάστασης βάσης τηλεόρασης                               |
| • 1x Τηλεχειριστήριο | • 1x Οδηγός γρήγορης έναρξης  |
| • 2x Μπαταρίες AAA   | • 1x σετ επίτοιχης στήριξης (4x βίδα M6x35 και 4x πλαστικός αποστάτης)* |

\* - Διατίθεται μόνο για μοντέλα 50"

## Σύνδεση της βάσης

Ακολουθήστε τις οδηγίες στο Τεχνικό φυλλάδιο που βρίσκεται στη σακούλα εξαρτημάτων.

## Στερέωση της τηλεόρασης στον τοίχο

1. Αφαιρέστε τις τέσσερις βίδες που παρέχονται από τις οπές στερέωσης τοίχου.
2. Το στήριγμα τοίχου μπορεί πλέον να συνδεθεί εύκολα στις οπές στερέωσης τοίχου στην πλάτη της τηλεόρασης.

## Συνδέσεις

▼ Για τη σύνδεση εξωτερικών συσκευών ανατρέξτε στην τελευταία σελίδα αυτού του εγχειριδίου οδηγιών.

## Ξεκινώντας - αρχικό στήσιμο

1. Συνδέστε το καλώδιο RF της τηλεόρασης στην υποδοχή κεραίας τηλεόρασης στον τοίχο.
2. Για ενσύρματη σύνδεση στο ίντερνετ, συνδέστε ένα καλώδιο Cat 5/ Ethernet (δεν παρέχεται) από την τηλεόραση στο ευρυζωνικό μόντεμ/ ρούτερ.
3. Τοποθετήστε τις παρεχόμενες μπαταρίες μέσα στο τηλεχειριστήριο.
4. Συνδέστε το καλώδιο τροφοδοσίας στην ηλεκτρική πρίζα.
5. Πλέον προχωρήστε στα επόμενα βήματα διαμόρφωσης της τηλεόρασης.
6. Μετά από την ενεργοποίηση της τηλεόρασης, θα εμφανιστεί το μενού καλωσορίσματος **Εγκατάσταση για πρώτη φορά**. Αν δεν εμφανιστεί, στο τηλεχειριστήριο, πατήστε [ΜΕΝΟΥ] και στη συνέχεια 8-8-8-8 και θα εμφανιστεί το μενού. Αν θέλετε να κάνετε αλλαγές σε οποιαδήποτε από τις προεπιλεγμένες ρυθμίσεις, χρησιμοποιήστε τα κουμπιά κύλισης ▲/▼/◀/▶. Για έξοδο από αυτό το μενού σε οποιαδήποτε στιγμή, πατήστε το κουμπί [EXIT].
7. **Ορίστε τις επιθυμητές ρυθμίσεις στην οθόνη ΠΡΩΤΗ ΕΓΚΑΤΑΣΤΑΣΗ.**

## Κουμπιά τηλεόρασης\*

<b>VOL+</b>	Αύξηση έντασης ήχου και μετάβαση προς τα δεξιά στο μενού
<b>VOL-</b>	Μείωση έντασης ήχου και μετάβαση προς τα αριστερά στο μενού
<b>CH+</b>	Αλλαγή προγράμματος/καναλιού προς τα πάνω και μετάβαση προς τα επάνω στο μενού
<b>CH-</b>	Αλλαγή προγράμματος/καναλιού προς τα κάτω και μετάβαση προς τα κάτω στο μενού
<b>MENU</b>	Προβολή μενού/OSD (μηνυμάτων επί της οθόνης)
<b>SOURCE</b>	Εμφανίζει το μενού πηγής εισόδου
<b>STANDBY</b>	Ενεργοποίηση/Απενεργοποίηση κατάστασης αναμονής

\* - για τηλεόραση με κουμπιά

## Μοχλός χειρισμού τηλεόρασης\*

Ο μοχλός χειρισμού της τηλεόρασης βρίσκεται στην κάτω αριστερή γωνία της της πίσω πλευράς της τηλεόρασης. Μπορείτε να τον χρησιμοποιείτε αντί του τηλεχειριστηρίου για να χειριστείτε τις περισσότερες λειτουργίες της τηλεόρασης.

**Ενώ η τηλεόραση βρίσκεται σε κατάσταση αναμονής:**

- σύντομο πάτημα του μοχλού χειρισμού - Ενεργοποίηση

**Κατά την παρακολούθηση τηλεόρασης:**

- ΔΕΞΙΑ/ΑΡΙΣΤΕΡΑ – ένταση ήχου πάνω/κάτω
- ΠΑΝΩ/ΚΑΤΩ – αλλαγή καναλιού πάνω/κάτω
- σύντομο πάτημα – Προβάλλει το Μενού
- παρατεταμένο πάτημα – Αναμονή Απενεργοποίησης

**Μέσα σε μενού:**

- ΔΕΞΙΑ/ΑΡΙΣΤΕΡΑ/ΠΑΝΩ/ΚΑΤΩ – πλοήγηση του δρομέα στα μενού επί της οθόνης
- σύντομο πάτημα – OK/Επιλογή επιλεγμένου στοιχείου
- παρατεταμένο πάτημα – Επιστροφή στο προηγούμενο μενού

\* - για τηλεοράσεις με χειριστήριο ελέγχου

## Επιλογή λειτουργίας Εισόδου/Πηγής

Για εναλλαγή μεταξύ των διαφορετικών εισόδων/συνδέσεων.

**α) Χρησιμοποιώντας τα κουμπιά στο τηλεχειριστήριο:**

1. Πατήστε [SOURCE/☐] - Εμφανίζεται το μενού πηγής.
2. Πατήστε [◀] ή [▶] για επιλογή της εισόδου που επιθυμείτε.
3. Πατήστε [OK].

**β1) Χρησιμοποιώντας τα κουμπιά\* στην τηλεόραση:**

1. Πατήστε [SOURCE].
2. Εκτελέστε κύλιση προς τα επάνω / κάτω χρησιμοποιώντας τα κουμπιά VOL+/VOL- για την είσοδο/πηγή που επιθυμείτε.
3. Πατήστε [SOURCE] για να εκτελέσετε την αλλαγή στην είσοδο/πηγή που επιλέχθηκε.

**β2) Χρησιμοποιώντας το μοχλό χειρισμού\* της τηλεόρασης:**

1. Πατήστε σύντομα τον μοχλό χειρισμού για είσοδο σε μενού.
2. Πατήστε το μοχλό χειρισμού προς τα κάτω και πλοηγηθείτε με τον δρομέα στο μενού SOURCES (ΠΗΓΕΣ).
3. Πατήστε σύντομα τον μοχλό χειρισμό για είσοδο στο μενού SOURCES (ΠΗΓΕΣ).
4. με τον μοχλό χειρισμού επιλέξτε την είσοδο/πηγή που απαιτείτε.
5. Με σύντομο πάτημα του μοχλού χειρισμού, θα αλλάξετε την είσοδο/πηγή σε αυτήν που επιλέξατε.

\* - προαιρετικό

## Περιήγηση στο μενού τηλεόρασης

Για πρόσβαση στο μενού, πατήστε το κουμπί [MENU] στο τηλεχειριστήριο. Για είσοδο σε μενού πατήστε [OK]. Αν θέλετε να αλλάξετε οποιαδήποτε από τις προεπιλεγμένες ρυθμίσεις, χρησιμοποιήστε τα κουμπιά κύλισης (▲/▼/◀/▶). Για επιβεβαίωση οποιασδήποτε ρύθμισης πατήστε το κουμπί [OK]. Για έξοδο από αυτό το μενού σε οποιαδήποτε στιγμή, πατήστε το κουμπί [EXIT].

## Ηλεκτρονικό εγχειρίδιο οδηγιών

Για εκκίνηση του ηλεκτρονικού εγχειριδίου, πατήστε το κουμπί [MENU] και στη συνέχεια επιλέξτε Ρυθμίσεις > Σχετικά με την τηλεόραση > Βοήθεια > Προβολή ηλεκτρονικού εγχειριδίου

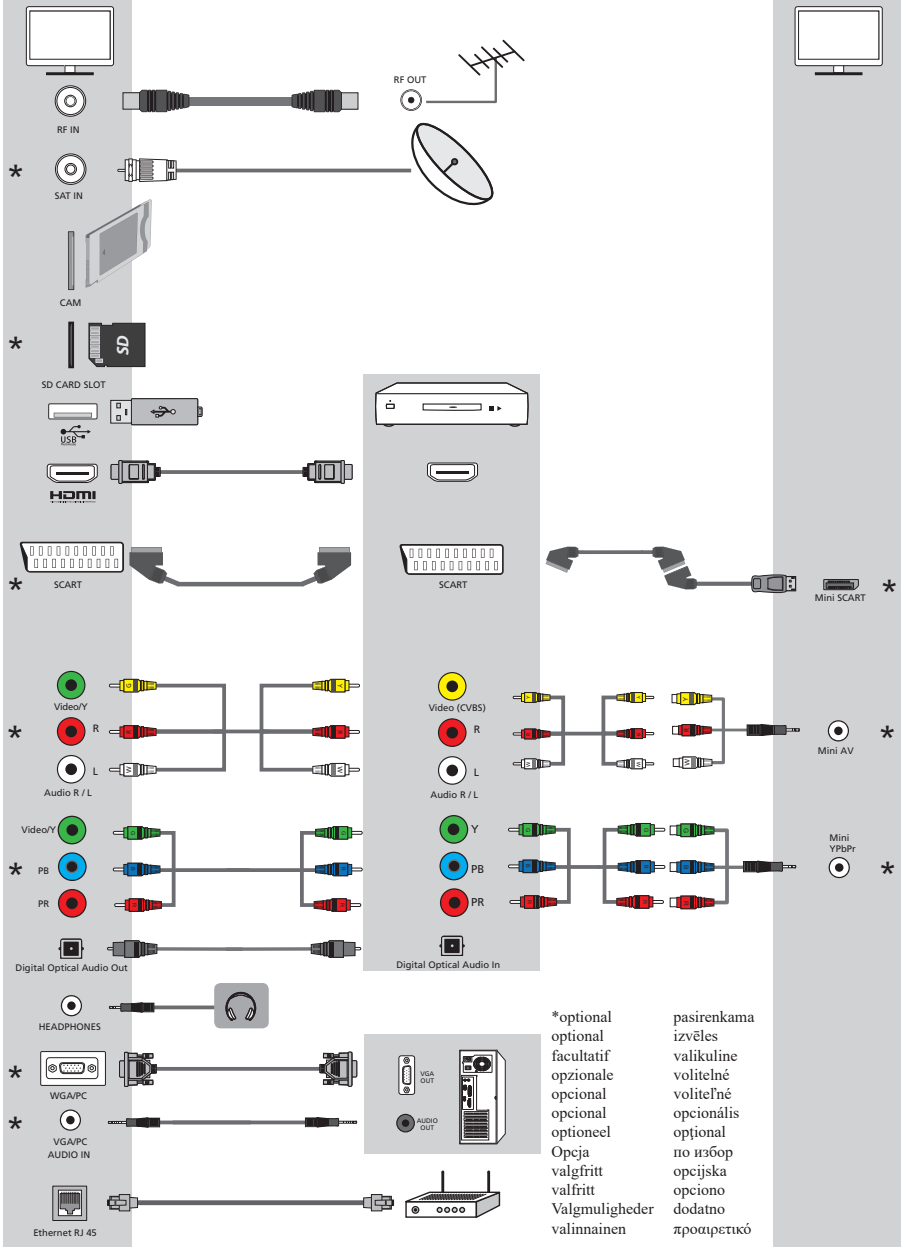
## Τηλεχειριστήριο

Ανατρέξτε στο Εγχειρίδιο επί της οθόνης στην τηλεόραση.

Connecting external devices  
 Anschluss externer Geräte  
 Connexion d'appareils externes  
 Connessione di dispositivi esterni  
 Conexión a dispositivos externos  
 Ligar dispositivos externos  
 Het aansluiten van externe apparaten  
 Podłączenie urządzeń zewnętrzných

Tilkoble eksterne enheter  
 Ansluta externa enheter  
 Tilslutning af eksterne enheder  
 Ulkoisten laitteiden kytkeminen  
 Išorinių įrenginių prijungimas  
 Ārējo ierīču pievienošana  
 Väliseseadmete ühendamine  
 Připojování externích zařízení

Πρίποιηση εξωτερικών ζαρίαδηών  
 Külső eszközök csatlakoztatása  
 Conectarea dispozitivelor externe  
 Свързване на външни устройства  
 Povezivanje vanjskih uređaja  
 Povezovanje zunanjih naprav  
 Σύνδεση εξωτερικών συσκευών





SHA/QSG/0113



UMC Poland Sp. z o.o.

Ostaszewo 57B, 87-148 Łysomice,  
Poland

Assembled in Poland

[www.sharpconsumer.eu](http://www.sharpconsumer.eu)

**SHARP**