

SmartFit™ Ergo Dual Extended Monitor Arm

Raise your level of comfort.

K55409WW

Product Description

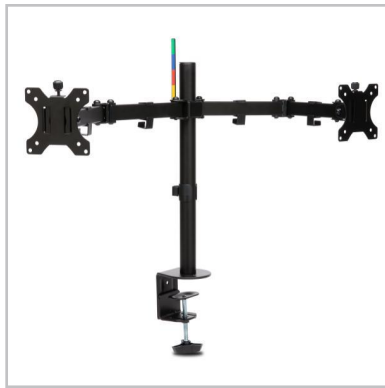
Professionals with dual monitor setups often struggle with poor posture, eye strain, as well as neck, back and shoulder discomfort. The SmartFit™ Ergo Dual Extended Monitor Arm supports more comfortable monitor placement. Its height-adjustable design allows you to easily raise or lower two monitors to the proper viewing height, promoting improved posture and proper eye alignment. Thoughtfully engineered for stability and versatility, it is a simple ergonomic companion for helping you work more comfortably throughout the day. It can be installed in minutes without tools using a sturdy C-clamp, ensuring a damage-free experience.

Features

- SmartFit™ supports proper ergonomic eye-level viewing angles, as well as improved neck and shoulder alignment.
- Wide adjustment range delivers $\pm 90^\circ$ swivel, $\pm 180^\circ$ rotation (for landscape or portrait orientation) and $\pm 45^\circ$ monitor tilt adjustment for ergonomic comfort.
- Extendable arms let you easily adjust the distance of your monitors (up to 399mm/15.7").
- Included C-clamp and grommet fastener are made of durable steel and aluminium, require less desk space to attach, are easy to install and won't damage or mark your desk or table.
- Quick-release VESA® 75/100 mounting plates accommodate monitors up to 32" and 8kg/17.6lbs (per arm).
- Cable management system eliminates cable clutter for a cleaner desktop.

Specifications

- **Colour** Black
- **Features** SmartFit™ Ergo, SmartFit™ Ergo, SmartFit™ Ergo
- **Partner Exclusive** No
- **PDP Request Quote** Yes
- **Period of Warranty** Limited 2-year warranty
- **Screens Supported** Dual Monitor



Product information

Gross weight 4.35kg

Retail Packaging Information

Depth 233mm
Width 456mm
Height 135mm
Gross weight 4.80kg
UPC# 085896554097
Unit quantity 0

Master Case Information

Depth 0
Width 0
Height 0
Gross weight 0.00
UPC#

Shipping Information

Warranty Period 24

General information

Recycled % 0