

**ROG  
ZENITH II  
EXTREME  
ALPHA**

**ASUS®**

**Motherboard**

E16228  
First Edition  
December 2019

**Copyright © 2019 ASUSTeK COMPUTER INC. All Rights Reserved.**

No part of this manual, including the products and software described in it, may be reproduced, transmitted, transcribed, stored in a retrieval system, or translated into any language in any form or by any means, except documentation kept by the purchaser for backup purposes, without the express written permission of ASUSTeK COMPUTER INC. ("ASUS").

Product warranty or service will not be extended if: (1) the product is repaired, modified or altered, unless such repair, modification of alteration is authorized in writing by ASUS; or (2) the serial number of the product is defaced or missing.

ASUS PROVIDES THIS MANUAL "AS IS" WITHOUT WARRANTY OF ANY KIND, EITHER EXPRESS OR IMPLIED, INCLUDING BUT NOT LIMITED TO THE IMPLIED WARRANTIES OR CONDITIONS OF MERCHANTABILITY OR FITNESS FOR A PARTICULAR PURPOSE. IN NO EVENT SHALL ASUS, ITS DIRECTORS, OFFICERS, EMPLOYEES OR AGENTS BE LIABLE FOR ANY INDIRECT, SPECIAL, INCIDENTAL, OR CONSEQUENTIAL DAMAGES (INCLUDING DAMAGES FOR LOSS OF PROFITS, LOSS OF BUSINESS, LOSS OF USE OR DATA, INTERRUPTION OF BUSINESS AND THE LIKE), EVEN IF ASUS HAS BEEN ADVISED OF THE POSSIBILITY OF SUCH DAMAGES ARISING FROM ANY DEFECT OR ERROR IN THIS MANUAL OR PRODUCT.

SPECIFICATIONS AND INFORMATION CONTAINED IN THIS MANUAL ARE FURNISHED FOR INFORMATIONAL USE ONLY, AND ARE SUBJECT TO CHANGE AT ANY TIME WITHOUT NOTICE, AND SHOULD NOT BE CONSTRUED AS A COMMITMENT BY ASUS. ASUS ASSUMES NO RESPONSIBILITY OR LIABILITY FOR ANY ERRORS OR INACCURACIES THAT MAY APPEAR IN THIS MANUAL, INCLUDING THE PRODUCTS AND SOFTWARE DESCRIBED IN IT.

Products and corporate names appearing in this manual may or may not be registered trademarks or copyrights of their respective companies, and are used only for identification or explanation and to the owners' benefit, without intent to infringe.

**Offer to Provide Source Code of Certain Software**

This product contains copyrighted software that is licensed under the General Public License ("GPL"), under the Lesser General Public License Version ("LGPL") and/or other Free Open Source Software Licenses. Such software in this product is distributed without any warranty to the extent permitted by the applicable law. Copies of these licenses are included in this product.

Where the applicable license entitles you to the source code of such software and/or other additional data, you may obtain it for a period of three years after our last shipment of the product, either

(1) for free by downloading it from <https://www.asus.com/support/>

or

(2) for the cost of reproduction and shipment, which is dependent on the preferred carrier and the location where you want to have it shipped to, by sending a request to:

ASUSTeK Computer Inc.  
Legal Compliance Dept.  
15 Li Te Rd.,  
Beitou, Taipei 112  
Taiwan

In your request please provide the name, model number and version, as stated in the About Box of the product for which you wish to obtain the corresponding source code and your contact details so that we can coordinate the terms and cost of shipment with you.

The source code will be distributed WITHOUT ANY WARRANTY and licensed under the same license as the corresponding binary/object code.

This offer is valid to anyone in receipt of this information.

ASUSTeK is eager to duly provide complete source code as required under various Free Open Source Software licenses. If however you encounter any problems in obtaining the full corresponding source code we would be much obliged if you give us a notification to the email address [gpl@asus.com](mailto:gpl@asus.com), stating the product and describing the problem (please DO NOT send large attachments such as source code archives, etc. to this email address).

# Contents

Safety information.....	vi
About this guide.....	vii
ROG ZENITH II EXTREME ALPHA specifications summary .....	ix
Package contents.....	xiv
Installation tools and components.....	xv

## Chapter 1: Product Introduction

1.1	Before you proceed .....	1-1
1.2	Motherboard layout.....	1-2
1.3	Central Processing Unit (CPU) .....	1-4
1.4	System memory .....	1-5
1.5	Expansion slots.....	1-7
1.6	Onboard buttons .....	1-9
1.7	Onboard switches.....	1-12
1.8	Onboard jumpers .....	1-14
1.9	Onboard LEDs .....	1-15
1.10	Internal connectors.....	1-17
1.11	Probelt.....	1-32

## Chapter 2: Basic Installation

2.1	Building your PC system.....	2-1
2.1.1	CPU installation.....	2-1
2.1.2	Cooling system installation.....	2-4
2.1.3	Motherboard installation.....	2-5
2.1.4	DIMM installation.....	2-6
2.1.5	ATX power connection .....	2-7
2.1.6	SATA device connection .....	2-8
2.1.7	Front I/O connector.....	2-9
2.1.8	Expansion card installation .....	2-10
2.1.9	M.2 installation .....	2-12
2.1.10	DIMM.2 installation.....	2-13
2.1.11	Wi-Fi antenna installation.....	2-15
2.2	BIOS update utility.....	2-16
2.3	Motherboard rear and audio connections .....	2-17
2.3.1	Rear I/O connection .....	2-17
2.3.2	Audio I/O connections.....	2-19
2.4	Starting up for the first time.....	2-21
2.5	Turning off the computer .....	2-21

## Chapter 3: BIOS Setup

<b>3.1</b>	<b>Knowing BIOS</b> .....	<b>3-1</b>
<b>3.2</b>	<b>BIOS setup program</b> .....	<b>3-2</b>
3.2.1	Advanced Mode .....	3-3
3.2.2	EZ Mode .....	3-6
3.2.3	Q-Fan Control .....	3-7
<b>3.3</b>	<b>My Favorites</b> .....	<b>3-9</b>
<b>3.4</b>	<b>Main menu</b> .....	<b>3-11</b>
<b>3.5</b>	<b>Ai Tweaker menu</b> .....	<b>3-11</b>
<b>3.6</b>	<b>Advanced menu</b> .....	<b>3-12</b>
3.6.1	AMD fTPM configuration .....	3-12
3.6.2	CPU Configuration .....	3-12
3.6.3	PCI Subsystem Settings .....	3-13
3.6.4	USB Configuration .....	3-14
3.6.5	HDD/SSD SMART Information .....	3-14
3.6.6	NVMe Configuration .....	3-14
3.6.7	SATA Configuration .....	3-14
3.6.8	Onboard Devices Configuration .....	3-16
3.6.9	APM Configuration .....	3-18
3.6.10	Network Stack Configuration .....	3-18
3.6.11	AMD CBS .....	3-18
3.6.12	AMD PBS .....	3-19
3.6.13	AMD Overclocking .....	3-19
<b>3.7</b>	<b>Monitor menu</b> .....	<b>3-19</b>
<b>3.8</b>	<b>Boot menu</b> .....	<b>3-19</b>
<b>3.9</b>	<b>Tool menu</b> .....	<b>3-21</b>
3.9.1	ASUS EZ Flash 3 Utility .....	3-21
3.9.2	Secure Erase .....	3-22
3.9.3	ASUS User Profile .....	3-23
3.9.4	BIOS Flashback .....	3-23
3.9.5	ASUS SPD Information .....	3-23
3.9.6	Graphics Card Information .....	3-23
3.9.7	ASUS Armoury Crate .....	3-24
<b>3.10</b>	<b>Exit menu</b> .....	<b>3-24</b>
<b>3.11</b>	<b>Updating BIOS</b> .....	<b>3-25</b>
3.11.1	EZ Update .....	3-25
3.11.2	ASUS EZ Flash 3 .....	3-26
3.11.3	ASUS CrashFree BIOS 3 .....	3-28

**Chapter 4: RAID Support**

<b>4.1</b>	<b>AMD RAID Array configurations.....</b>	<b>4-1</b>
4.1.1	RAID definitions .....	4-1

**Appendix**

<b>Q-Code table.....</b>	<b>A-1</b>
<b>Notices .....</b>	<b>A-5</b>
<b>ASUS contact information.....</b>	<b>A-11</b>

# Safety information

## Electrical safety

- To prevent electrical shock hazard, disconnect the power cable from the electrical outlet before relocating the system.
- When adding or removing devices to or from the system, ensure that the power cables for the devices are unplugged before the signal cables are connected. If possible, disconnect all power cables from the existing system before you add a device.
- Before connecting or removing signal cables from the motherboard, ensure that all power cables are unplugged.
- Seek professional assistance before using an adapter or extension cord. These devices could interrupt the grounding circuit.
- Ensure that your power supply is set to the correct voltage in your area. If you are not sure about the voltage of the electrical outlet you are using, contact your local power company.
- If the power supply is broken, do not try to fix it by yourself. Contact a qualified service technician or your retailer.

## Operation safety

- Before installing the motherboard and adding devices on it, carefully read all the manuals that came with the package.
- Before using the product, ensure all cables are correctly connected and the power cables are not damaged. If you detect any damage, contact your dealer immediately.
- To avoid short circuits, keep paper clips, screws, and staples away from connectors, slots, sockets and circuitry.
- Avoid dust, humidity, and temperature extremes. Do not place the product in any area where it may become wet.
- Place the product on a stable surface.
- If you encounter technical problems with the product, contact a qualified service technician or your retailer.

## About this guide

This user guide contains the information you need when installing and configuring the motherboard.

## How this guide is organized

This guide contains the following parts:

- **Chapter 1: Product Introduction**  
This chapter describes the features of the motherboard and the new technology it supports. It includes description of the switches, jumpers, and connectors on the motherboard.
- **Chapter 2: Basic Installation**  
This chapter lists the hardware setup procedures that you have to perform when installing system components.
- **Chapter 3: BIOS Setup**  
This chapter tells how to change system settings through the BIOS Setup menus. Detailed descriptions of the BIOS parameters are also provided.
- **Chapter 4: RAID Support**  
This chapter describes the RAID configurations.

## Where to find more information

Refer to the following sources for additional information and for product and software updates.

1. **ASUS website**  
The ASUS website ([www.asus.com](http://www.asus.com)) provides updated information on ASUS hardware and software products.
2. **Optional documentation**  
Your product package may include optional documentation, such as warranty flyers, that may have been added by your dealer. These documents are not part of the standard package.

## Conventions used in this guide

To ensure that you perform certain tasks properly, take note of the following symbols used throughout this manual.



**DANGER/WARNING:** Information to prevent injury to yourself when trying to complete a task.



**CAUTION:** Information to prevent damage to the components when trying to complete a task.



**IMPORTANT:** Instructions that you **MUST** follow to complete a task.



**NOTE:** Tips and additional information to help you complete a task.

## Typography

**Bold text**

Indicates a menu or an item to select.

*Italics*

Used to emphasize a word or a phrase.

<Key>

Keys enclosed in the less-than and greater-than sign means that you must press the enclosed key.

Example: <Enter> means that you must press the Enter or Return key.

<Key1> + <Key2> + <Key3>

If you must press two or more keys simultaneously, the key names are linked with a plus sign (+).



## ROG ZENITH II EXTREME ALPHA specifications summary

<b>CPU</b>	<p>AMD Socket sTRX4 for 3rd Gen AMD Ryzen™ Threadripper™ Desktop Processors*</p> <p>* The support of these features depends on the CPU types. * Refer to <a href="http://www.asus.com">www.asus.com</a> for CPU support list.</p>
<b>Chipset</b>	AMD sTRX40
<b>Memory</b>	<p><b>3rd Gen AMD Ryzen™ Threadripper™ Desktop Processors</b></p> <p>8 x DIMM, max. 256GB, DDR4 4733+(O.C) / 4600+(O.C) / 4400(O.C) / 4266(O.C) / 4133(O.C) / 4000(O.C) / 3866(O.C) / 3733(O.C) / 3600(O.C) / 3466(O.C) / 3400(O.C) / 3200 / 3000 / 2933 / 2800 / 2666 / 2400 / 2133 MHz ECC and non-ECC, Unbuffered memory*</p> <p>Quad Channel Memory Architecture</p> <p>* Please refer to Memory QVL (Qualified Vendors Lists) on <a href="http://www.asus.com">www.asus.com</a> for details.</p>
<b>Expansion Slots</b>	<p><b>3rd Gen AMD Ryzen™ Threadripper™ Desktop Processors</b></p> <p>4 x PCIe 4.0 x16 Safeslots (supports x16, x16/x16, x16/x8/x16, x16/x8/x16/x8 modes)</p>
<b>Multi-GPU Support</b>	<p>Supports NVIDIA® 3-Way SLI® Technology</p> <p>Supports AMD 3-Way CrossFireX™ Technology</p>
<b>Storage</b>	<p><b>3rd Gen AMD Ryzen™ Threadripper™ Desktop Processors</b></p> <p>1 x DIMM.2 Module supports</p> <ul style="list-style-type: none"> <li>- 2 x M.2 Socket 3 with M key, type 2242/2260/2280/22110 (supports PCIe 4.0 x4 and SATA modes)</li> <li>2 x M.2 Socket 3 with M Key, type 2242/2260/2280 (PCIe 4.0 x4 mode)*</li> <li>1 x M.2 Socket 3 with M Key, type 2242/2260/2280 (PCIe 4.0 x4/x2 mode)**</li> </ul> <p>* When the M.2_2 slot on board is operating in PCIe mode, PCIe x16_4 will run at x4 mode</p> <p>** When the M.2_3 slot on board is operating in PCIe x4 mode, SATA6G_E1-E4 will be disabled</p> <p>*** Supports PCIe RAID configurations via onboard M.2 storages.</p> <p><b>AMD TRX40 chipset</b></p> <p>4 x SATA 6Gb/s ports</p> <p><b>ASMedia® SATA controller</b></p> <p>4 x SATA 6Gb/s ports</p>
<b>LAN</b>	<p>Aquantia® AQC-107 10G LAN</p> <p>Intel® I211-AT Gigabit LAN</p> <p>Anti-surge LANGuard</p> <p>ROG GameFirst Technology</p>
<b>Wireless &amp; Bluetooth</b>	<p>Intel® WiFi 6 -AX200</p> <p>2x2 MU-MIMO 802.11 a/b/g/n/ac/ax support dual frequency band 2.4/5 GHz</p> <p>Supports channel bandwidth: HT20/HT40/HT80/HT160</p> <p>Bluetooth v5.0</p>

(continued on the next page)

## ROG ZENITH II EXTREME ALPHA specifications summary

<p><b>Audio</b></p>	<p><b>ROG SupremeFX 8-Channel High Definition Audio CODEC S1220</b></p> <ul style="list-style-type: none"> <li>- High quality 120 dB SNR stereo playback output and 108 dB SNR recording input</li> <li>- Impedance sense for front and rear headphone outputs</li> <li>- SupremeFX Shielding Technology</li> <li>- Supports: Jack-detection, Multi-streaming, and Line-in/Front Mic re-tasking</li> <li>- ESS™ SABRE9018Q2C High Definition DAC</li> </ul> <p><b>Audio Features:</b></p> <ul style="list-style-type: none"> <li>- LED-illuminated audio jacks</li> <li>- Optical S/PDIF out port at back panel</li> <li>- Sonic Studio III + Sonic Studio Virtual Mixer, Sonic Radar III</li> <li>- DTS® Sound Unbound</li> </ul>
<p><b>USB</b></p>	<p><b>3rd Gen AMD Ryzen™ Threadripper™ Desktop Processors</b></p> <ul style="list-style-type: none"> <li>- 4 x USB 3.2 Gen 2 ports (4 ports at back panel[Red])</li> </ul> <p><b>AMD TRX40 chipset:</b></p> <ul style="list-style-type: none"> <li>- 2 x USB 3.2 Gen 2 Type-C® front panel connectors</li> <li>- 3 x USB 3.2 Gen 2 port (2 x Type-A &amp; 1 x USB Type-C® at back panel)</li> <li>- 3 x USB 2.0 ports (3 ports at mid-board)</li> </ul> <p><b>ASMedia® USB 3.2 Gen 1 controller</b></p> <ul style="list-style-type: none"> <li>- 8 x USB 3.2 Gen1 ports (4 ports at Mid board)</li> </ul> <p><b>ASMedia® USB 3.2 Gen 2x2 controller</b></p> <ul style="list-style-type: none"> <li>- 1 x USB 3.2 Gen 2x2 port (1 x USB Type-C® at back panel)</li> </ul>
<p><b>ROG Exclusive Features</b></p>	<p><b>Extreme Engine Digi+</b></p> <ul style="list-style-type: none"> <li>- MicroFine Alloy Choke</li> <li>- PowIRstage MOSFETs</li> <li>- 10K Black Metallic Capacitors</li> </ul> <p><b>Start Button</b></p> <p><b>Retry Button</b></p> <p><b>FlexKey button</b></p> <p><b>Extreme Tweaker</b></p> <p><b>Cold storage M.2 switch</b></p> <p><b>LN2 Mode</b></p> <p><b>ProbelT</b></p> <p><b>ROG Exclusive Software</b></p> <ul style="list-style-type: none"> <li>- Mem Tweakit</li> <li>- RAMCache III</li> <li>- CPU-Z</li> <li>- GameFirst V</li> <li>- Sonic Studio III + Sonic Studio Virtual Mixer, Sonic Radar III</li> </ul> <p><b>ROG Patented Pre-mounted I/O Shield</b></p>

*(continued on the next page)*

# ROG ZENITH II EXTREME ALPHA specifications summary

<p style="text-align: center;"><b>Special Features</b></p>	<p><b>AURA</b></p> <ul style="list-style-type: none"> <li>- Aura Lighting Control</li> <li>- Aura RGB Strip Headers</li> <li>- Aura Addressable Strip Headers</li> <li>- Aura Lighting Effects Synchronization with compatible ASUS ROG devices</li> </ul> <p><b>ASUS Dual Intelligent Processors 5</b></p> <ul style="list-style-type: none"> <li>- 5-way Optimization tuning key perfectly consolidates TPU, EPU, DIGI+ Power control, Fan Xpert 4, and Turbo app</li> </ul> <p><b>ASUS Exclusive Features</b></p> <ul style="list-style-type: none"> <li>- OptiMem III</li> <li>- Pre-mounted I/O shield</li> <li>- AI Suite 3</li> <li>- USB BIOS Flashback®</li> <li>- ASUS CrashFree BIOS 3</li> <li>- ASUS EZ Flash 3</li> <li>- ASUS C.P.R.(CPU Parameter Recall)</li> <li>- LiveDash</li> <li>- Ai Charger</li> <li>- Armoury Crate</li> <li>- Clear CMOS Button</li> <li>- FlexKey Button</li> </ul> <p><b>ASUS Q-Design</b></p> <ul style="list-style-type: none"> <li>- Q-Connector</li> <li>- Q-DIMM</li> <li>- Q-Code</li> <li>- Q-LED (CPU [red], DRAM [yellow], VGA [white], Boot Device [yellow green])</li> </ul>
<p style="text-align: center;"><b>Back I/O Ports</b></p>	<ul style="list-style-type: none"> <li>1 x Clear CMOS Button</li> <li>1 x BIOS Flashback™ Button</li> <li>1 x 2x2 Wi-Fi Module</li> <li>1 x Aquantia AQC-107 10G LAN</li> <li>1 x Anti-surge LAN (RJ45)</li> <li>4 x USB 3.2 Gen 1 ports [blue]</li> <li>7 x USB 3.2 Gen 2 ports (6 x Type-A [red] and 1 x USB Type-C® [black])</li> <li>1 x USB 3.2 Gen 2x2 port (1 x USB Type-C® [black])</li> <li>1 x Optical S/PDIF out</li> <li>5 x LED-illuminated audio jacks</li> </ul>

*(continued on the next page)*

# ROG ZENITH II EXTREME ALPHA specifications summary

## Internal I/O Ports

2 x USB 3.2 Gen 2 Type-C® front panel connectors  
2 x USB 3.2 Gen 1 header supports additional 4 USB 3.2 Gen 1 ports  
2 x USB 2.0 header supports additional 3 USB 2.0 ports  
8 x SATA 6Gb/s connectors  
1 x DIMM.2 slot  
3 x M.2 Socket 3 for M Key, supports type 2242/2260/2280 storage devices (supports PCIe 4.0 x4 mode)  
1 x 4-Pin CPU fan connector  
1 x 4-Pin CPU\_OPT fan connector  
2 x 4-Pin W\_PUMP+ connector  
1 x 4-Pin VRM\_HS\_FAN fan connector  
1 x 4-Pin Chipset fan connector  
1 x 4-Pin HS fan connector  
2 x Thermal sensor connectors  
1 x 24-Pin EATX power connector  
2 x 8-Pin EATX 12V power connectors  
1 x 6-Pin EATX 12V power connector  
1 x EZ Plug connector (4-pin Molex power connector)  
1 x W\_IN header  
1 x W\_OUT header  
1 x W\_FLOW header  
1 x WB\_SENSOR header  
2 x Aura RGB headers  
2 x Aura Addressable headers  
1 x Front panel audio connector (AAFP)  
1 x Start button  
1 x Flexkey button  
1 x Safe Boot button  
1 x ReTry button  
1 x Slow mode Switch  
1 x RSVD switch  
1 x NODE connector  
1 x LN2 mode jumper  
1 x BIOS Switch button  
7 x Probelts Measurement Points  
1 x TPM connector  
1 x M.2\_3 Switch  
1 x Speaker header  
1 x System panel connector

*(continued on the next page)*

## ROG ZENITH II EXTREME ALPHA specifications summary

<b>BIOS Features</b>	2 x 128 Mb Flash ROM, UEFI AMI BIOS, PnP, WfM2.0, SM BIOS 3.2, ACPI 6.2
<b>Manageability</b>	WOL, PXE
<b>Software</b>	Overwolf Anti-Virus software (1-year full subscription) Daemon Tools Software WinRAR
<b>Operating System</b>	Windows® 10 64-bit
<b>Form Factors</b>	Extended ATX Form Factor, 12.2" x 10.9" (31cm x 27.7cm)



- Specifications are subject to change without notice.
- Visit the ASUS website for the software manual.

## Package contents

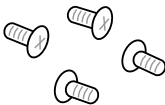


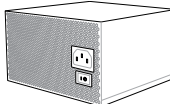

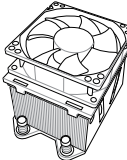
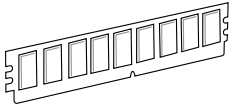
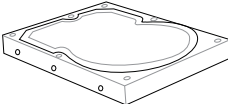
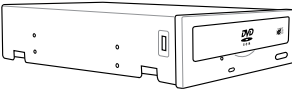
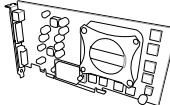
Check your motherboard package for the following items.

Motherboard	1 x ROG ZENITH II EXTREME ALPHA motherboard
Cables	1 x 2-in-1 SATA 6Gb/s cables
	1 x 4-in-1 SATA 6Gb/s cables
	1 x 3-in-1 thermistor cable
	1 x 2-in-1 weave SATA 6Gb/s cable
	1 x Extension Cable for RGB strips (80 cm)
	1 x Extension cable for Addressable Strips (80 cm)
Accessories	1 x ROG DIMM.2 with heatsink
	5 x M.2 Screw Package
	1 x Q-Connector
	1 x ROG Coaster
	1 x ROG logo plate sticker
	1 x ROG Big sticker
	1 x ASUS 2x2 dual band Wi-Fi moving antenna (Wi-Fi 802.11a/b/g/n/ac/ax compliant)
	1 x 2-in-1 rubber for ROG DIMM.2
	1 x Dual function screwdriver
	1 x ROG Thank you Card
	<b>Fan Extension Card II:</b>
	1 x Fan Extension Card II (6 x 4-pin Chassis Fan connectors, 3 x 4-pin RGB headers, 3 x 2-pin Thermal sensor headers)
	1 x Fan Extension Card II power cable
	1 x Fan Extension Card II NODE connector cable
1 x Fan Extension Card II screw package	
Application drive	1 x USB drive with utilities and drivers
Documentation	1 x User guide
	1 x Fan Extension Card II Installation guide



If any of the above items is damaged or missing, contact your retailer.

## Installation tools and components

	
<b>1 Bag of screws</b>	<b>Screwdriver</b>
	
<b>PC chassis</b>	<b>Power supply unit</b>
	
<b>AMD Socket sTRX4 CPU</b>	<b>AMD Socket sTRX4 compatible CPU Fan</b>
	
<b>DDR4 DIMM</b>	<b>SATA hard disk drive</b>
	
<b>SATA optical disc drive (optional)</b>	<b>Graphics card (optional)</b>



The tools and components in the table above are not included in the motherboard package.





# Product Introduction

# 1

## 1.1 Before you proceed

Take note of the following precautions before you install motherboard components or change any motherboard settings.



---

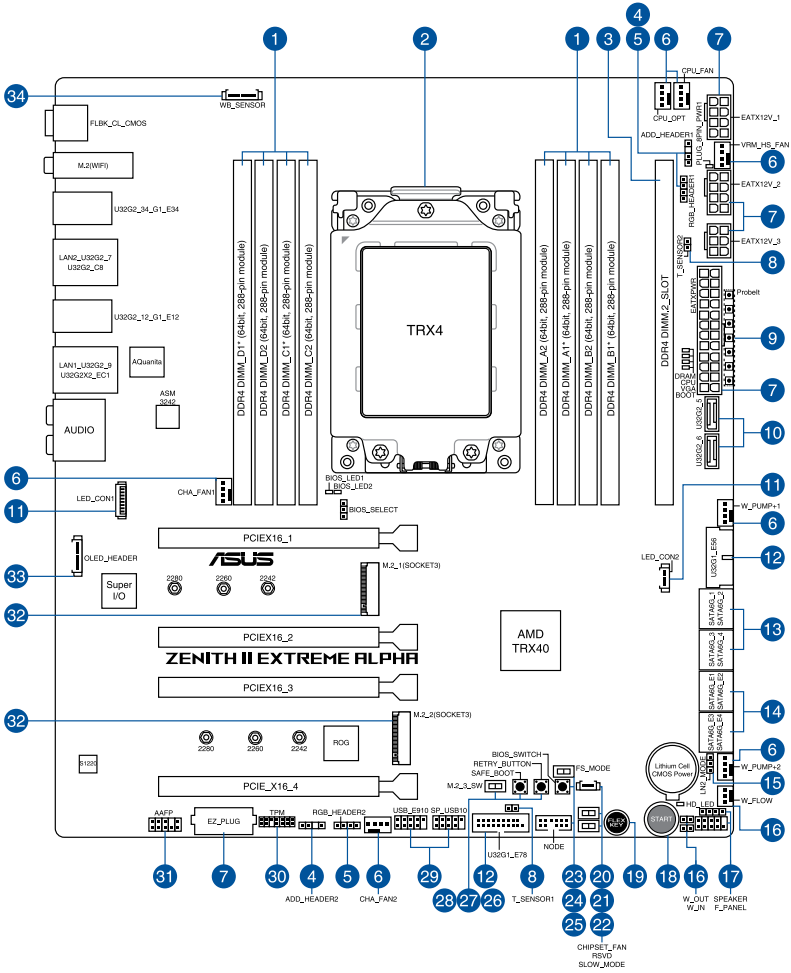
Components shown in this section may require additional purchase. Refer to **Package contents** section for more information about the contents of your motherboard package.

---



- Unplug the power cord from the wall socket before touching any component.
  - Before handling components, use a grounded wrist strap or touch a safely grounded object or a metal object, such as the power supply case, to avoid damaging them due to static electricity.
  - Hold components by the edges to avoid touching the ICs on them.
  - Whenever you uninstall any component, place it on a grounded antistatic pad or in the bag that came with the component.
  - Before you install or remove any component, ensure that the ATX power supply is switched off or the power cord is detached from the power supply. Failure to do so may cause severe damage to the motherboard, peripherals, or components.
-

## 1.2 Motherboard layout

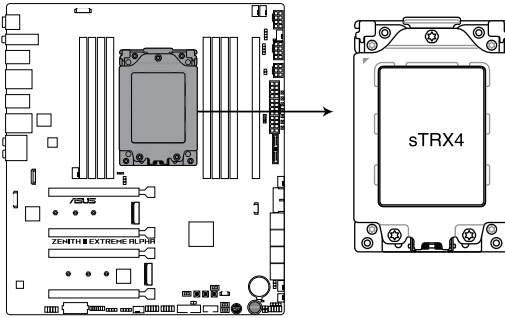


Refer to **Internal connectors** and **Rear I/O connection** for more information about rear panel connectors and internal connectors.

Layout contents	Page
1. DIMM slots	1-5
2. CPU socket	1-4
3. DIMM.2 slot	1-19
4. Addressable Gen2 LED connector	1-29
5. AURA RGB LED connector	1-30
6. Fan and Pump connectors	1-22
7. Power connectors	1-27
8. Thermal Sensor connector	1-25
9. Probelit	1-32
10. USB 3.2 Gen 2 connector	1-20
11. LED connector	1-28
12. USB 3.2 Gen 1 connector	1-20
13. SATA 6Gb/s connector	1-17
14. ASMedia® SATA 6Gb/s connector	1-18
15. LN2 Mode jumper	1-14
16. Liquid Cooling System connectors	1-23
17. System Panel connector	1-26
18. Power button	1-9
19. Reset button	1-9
20. Chipset Fan connector	1-23
21. RSVD switch	1-12
22. Slow Mode switch	1-12
23. Full Speed Mode switch	1-13
24. BIOS Switch button	1-11
25. Node connector	1-24
26. ReTry button	1-10
27. Safe Boot button	1-10
28. M.2_3 switch	1-13
29. USB 2.0 connector	1-21
30. TPM connector	1-28
31. Front Panel Audio connector	1-25
32. M.2 slot	1-18
33. OLED connector	1-31
34. Water Block connector	1-24

## 1.3 Central Processing Unit (CPU)

The motherboard comes with an AMD Socket sTRX4 for 3rd Gen AMD Ryzen™ Threadripper™ Desktop Processors.



**ROG ZENITH II EXTREME ALPHA CPU sTRX4 Socket**



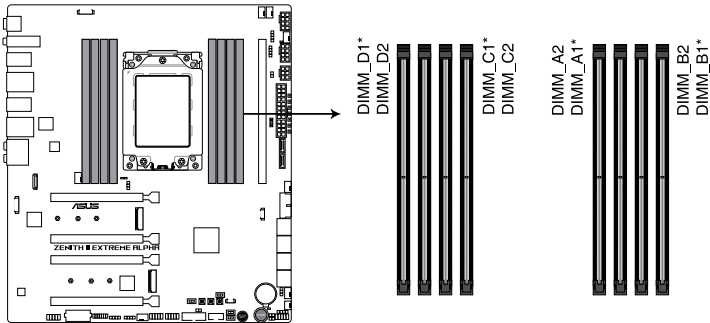
- The Socket sTRX4 has a different pinout design. Ensure that you use a CPU designed for the Socket sTRX4.
- The CPU fits in only one correct orientation. DO NOT force the CPU into the socket to prevent bending the connectors on the CPU and damaging the CPU.
- Ensure that all power cables are unplugged before installing the CPU.
- Overclocking AMD processors, including without limitation, altering clock frequencies / multipliers or memory timing / voltage, to operate beyond their stock specifications will void any applicable AMD product warranty, even when such overclocking is enabled via AMD hardware and/or software. This may also void warranties offered by the system manufacturer or retailer. Users assume all risks and liabilities that may arise out of overclocking AMD processors, including, without limitation, failure of or damage to hardware, reduced system performance and/or data loss, corruption or vulnerability

## 1.4 System memory

The motherboard comes with Dual Inline Memory Modules (DIMM) slots designed for DDR4 (Double Data Rate 4) memory modules.

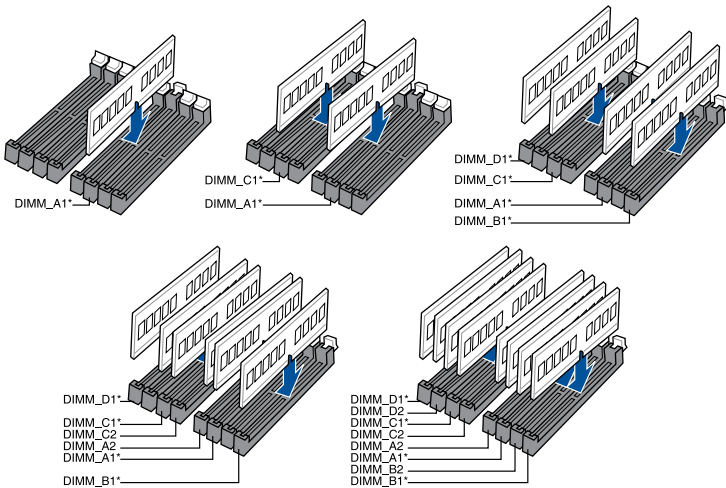


A DDR4 memory module is notched differently from a DDR, DDR2, or DDR3 module. DO NOT install a DDR, DDR2, or DDR3 memory module to the DDR4 slot.



ROG ZENITH II EXTREME ALPHA 288-pin DDR4 DIMM socket

### Recommended memory configurations



## Memory configurations

You may install 4 GB, 8 GB, 16 GB, and 32 GB unbuffered ECC and non-ECC DDR4 DIMMs into the DIMM sockets.



---

You may install varying memory sizes in Channel A, Channel B, Channel C, and Channel D. The system maps the total size of the lower-sized channel for the quad-channel configuration. Any excess memory from the higher-sized channel is then mapped for single-channel operation.

---

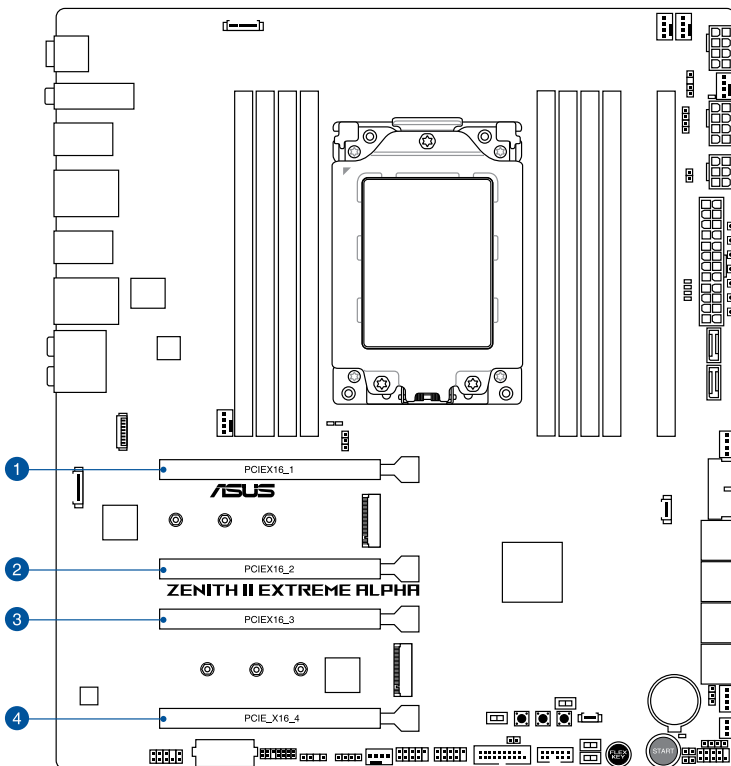


- The default memory operation frequency is dependent on its Serial Presence Detect (SPD), which is the standard way of accessing information from a memory module. Under the default state, some memory modules for overclocking may operate at a lower frequency than the vendor-marked value.
  - For system stability, use a more efficient memory cooling system to support a full memory load or overclocking condition.
  - Always install the DIMMS with the same CAS Latency. For an optimum compatibility, we recommend that you install memory modules of the same version or data code (D/C) from the same vendor. Check with the vendor to get the correct memory modules.
  - Visit the ASUS website for the latest QVL.
-

## 1.5 Expansion slots



Unplug the power cord before adding or removing expansion cards. Failure to do so may cause you physical injury and damage motherboard components.



## Recommended VGA configuration

### 3rd Gen AMD Ryzen™ Threadripper™ Desktop Processors

Slot Description	Single VGA	SLI®/CFX	3-Way SLI®/CFX
1. PCIe 4.0 x16_1	x16	x16	x16
2. PCIe 4.0 x16_2	-	-	x8
3. PCIe 4.0 x16_3	-	x16	x16
4. PCIe 4.0 x16_4	-	-	x8*

\* When the M.2\_2 socket on board is operating in PCIe mode, PCIe 4.0 x16\_4 will run at x4 mode.



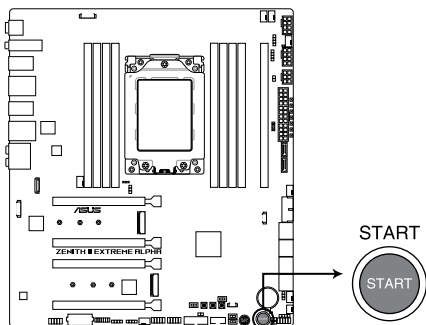
- We recommend that you provide sufficient power when running CrossFireX™ or SLI® mode.
- Ensure to connect the 8-pin and 6-pin power plugs when running CrossFireX™ or SLI® mode.
- Connect a chassis fan to the chassis fan connectors when using multiple graphics cards for better thermal environment.



## 1.6 Onboard buttons

### 1. Power button

Press the Power button to power up the system, or put the system into sleep or soft-off mode (depending on the operating system settings).



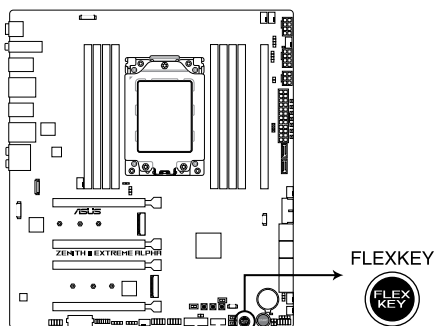
**ROG ZENITH II EXTREME ALPHA Power on button**



The button also lights up when the system is plugged to a power source, indicating that you should shut down the system and unplug the power cable before removing or installing any motherboard component.

### 2. FlexKey button (Reset)

Press the FlexKey button to reboot the system. You may also configure the button and assign a quick access feature such as activating Safe Boot or turning Aura lighting on or off to the button.



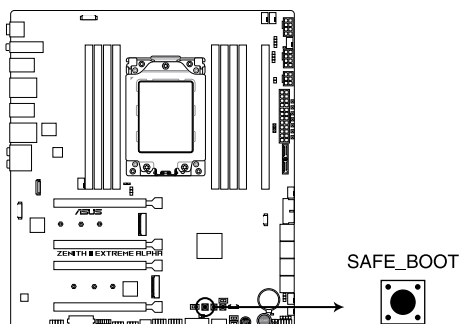
**ROG ZENITH II EXTREME ALPHA Flex Key button**



This button set to **[Reset]** by default. You can assign a different function to this button in the BIOS settings.

### 3. Safe Boot button

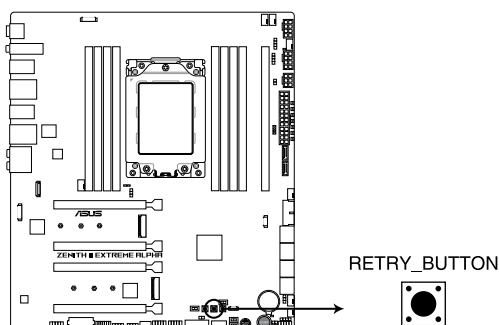
The Safe Boot button temporarily applies safe settings to the BIOS while retaining the overclocked settings, allowing you to modify the settings causing a boot failure. Press this button at anytime to force the system to reboot into the BIOS safe mode.



**ROG ZENITH II EXTREME ALPHA Safe Boot button**

### 4. ReTry button

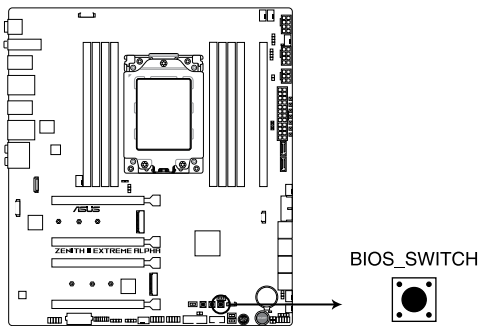
The ReTry button is specially designed for overclockers and is most useful during the booting process where the Reset button is rendered useless. Press this button to force the system to reboot while retaining the same settings to be retried in quick succession to achieve a successful POST.



**ROG ZENITH II EXTREME ALPHA ReTry button**

## 5. BIOS Switch button

This motherboard comes with two BIOS chips. Press the BIOS Switch button to switch BIOS and load different BIOS settings.



**ROG ZENITH II EXTREME ALPHA BIOS Switch button**



---

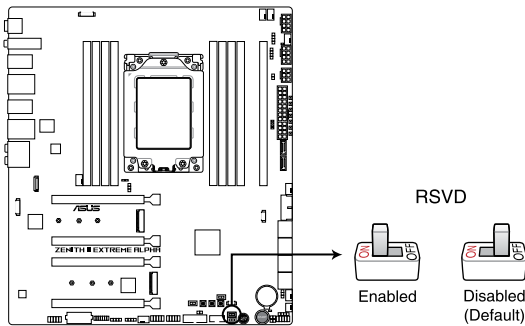
The nearby BIOS\_LEDs indicate which BIOS is currently selected.

---

## 1.7 Onboard switches

### 1. RSVD switch

The RSVD switch is reserved for ASUS-authorized technicians only.



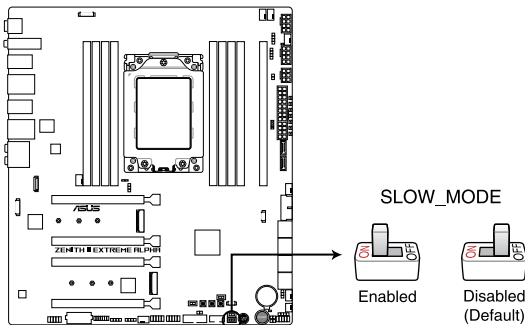
**ROG ZENITH II EXTREME ALPHA RSVD switch**



Please ensure the RSVD switch is set to **Disabled**. Setting this switch to **Enabled** may result in damages to your system.

### 2. Slow Mode switch

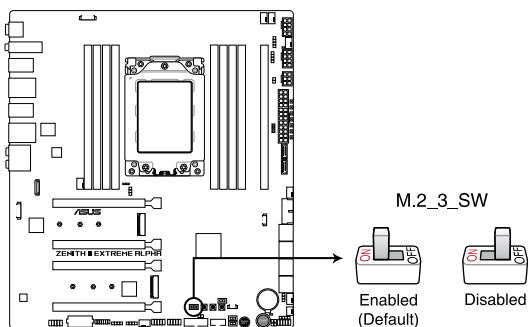
The system may crash due to the CPU being unstable when using extreme overclocking settings. Enable the Slow Mode switch during LN2 benching to decrease the processor frequency and stabilize the system, allowing you to keep track of the overclocking data.



**ROG ZENITH II EXTREME ALPHA Slow Mode switch**

### 3. M.2\_3 switch

The M.2\_3 switch allows you to disconnect the M.2\_3 slot from the system and enter into cold storage mode when set to disabled.



**ROG ZENITH II EXTREME ALPHA M.2 switch**



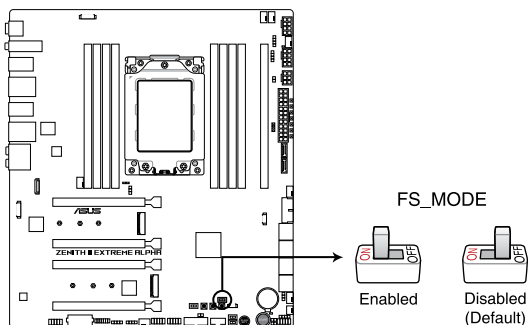
- DO NOT enable and disable this switch in short intervals! Doing so may damage the M.2 device connected to the M.2\_3 slot.
- If your system does not detect the M.2\_3 slot when you switch the M.2\_3 switch from disabled to enabled, please power off your system then switch it to enabled again, and then power on your system.



The LED near this switch also lights up when the switch is set to disabled, and turned off when this switch is set to enabled.

### 4. Full Speed Mode switch

The Full Speed Mode switch allows you to set all connected fans to run at 100% PWM when enabled.

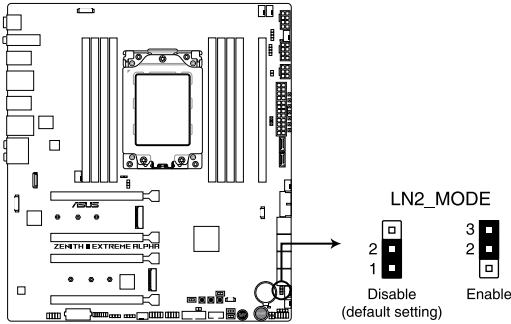


**ROG ZENITH II EXTREME ALPHA FS\_MODE switch**

## 1.8 Onboard jumpers

### 1. LN2 Mode jumper

Set to pins 1-2 to optimize the motherboard to remedy the cold-boot bug during POST and help the system boot successfully.

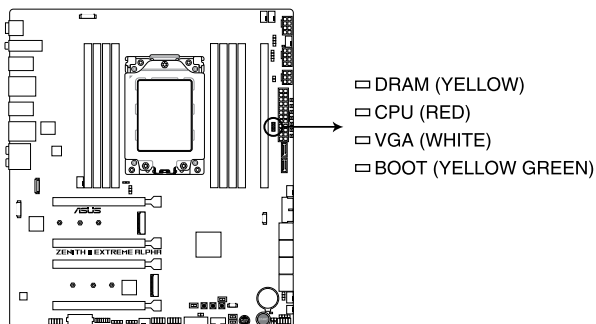


**ROG ZENITH II EXTREME ALPHA LN2 Mode jumper**

## 1.9 Onboard LEDs

### 1. Q LEDs

The Q LEDs check key components (CPU, DRAM, VGA, and booting devices) during the motherboard booting process. If an error is found, the critical component's LED stays lit up until the problem is solved.



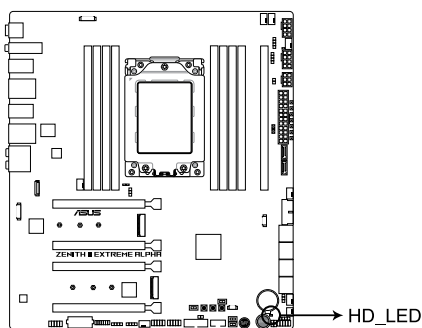
**ROG ZENITH II EXTREME ALPHA Q LEDs**



The Q LEDs provide the most probable cause of an error code as a starting point for troubleshooting. The actual cause may vary from case to case.

### 2. Storage Device Activity LED

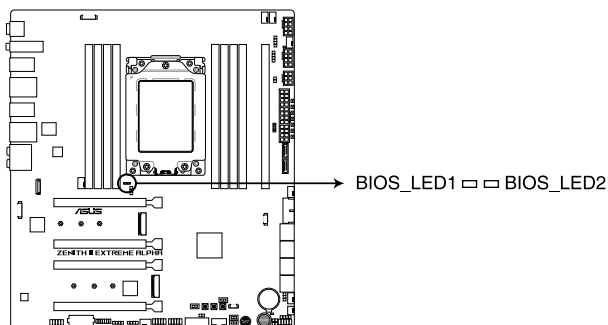
The Storage Device Activity LED lights up or blinks when data is read from or written to the storage device or storage device add-on card.



**ROG ZENITH II EXTREME ALPHA Storage Device Activity LED**

### 3. BIOS LED

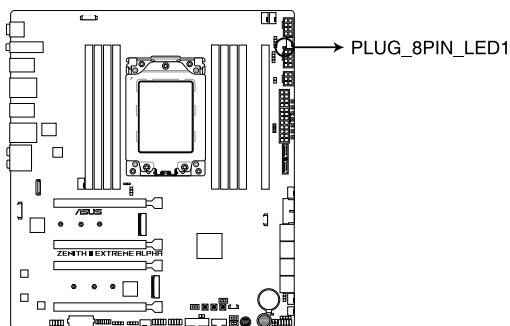
The BIOS LEDs indicate which BIOS chip is currently in use.



**ROG ZENITH II EXTREME ALPHA BIOS LED**

### 4. 8-pin Power Plug LED

The 8-pin Power Plug LED lights up to indicate that the 8-pin power plug is not connected.



**ROG ZENITH II EXTREME ALPHA 8-pin Power Plug LED**



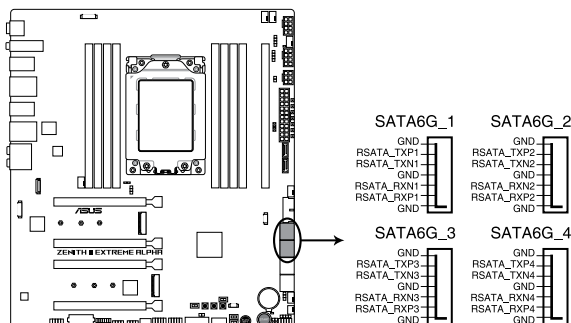
- DO NOT connect the 8-pin power plug only, the motherboard may overheat under heavy usage.
- Due to the CPU minimum power consumption requirement, we recommend using a PSU with 850W or above. Ensure to connect both the 8-pin and 4-pin power plugs (into another 8-pin connector), or two 8-pin power plugs or above to ensure system stability under heavy loading.



## 1.10 Internal connectors

### 1. SATA 6Gb/s connector

The SATA 6Gb/s connector allows you to connect SATA devices such as optical disc drives and hard disk drives via a SATA cable.



**ROG ZENITH II EXTREME ALPHA SATA 6 Gb/s connector**



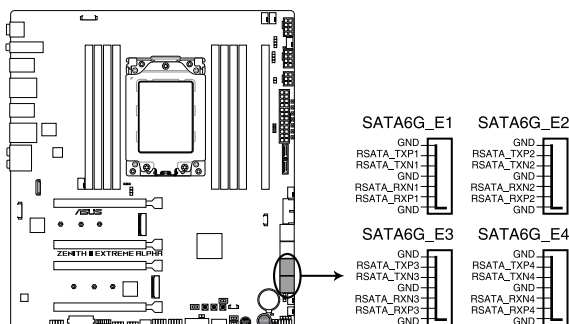
If you installed SATA storage devices, you can create a RAID 0, 1, and 10 configuration through the onboard AMD TRX40 chipset.



- These connectors are set to **[AHCI]** by default. If you intend to create a Serial ATA RAID set using these connectors, set the SATA Mode Selection item in the BIOS to **[RAID]**.
- Before creating a RAID set, refer to the **RAID Configuration Guide**. You can download the **RAID Configuration Guide** from the ASUS website.

## 2. ASMedia® SATA 6 Gb/s connector

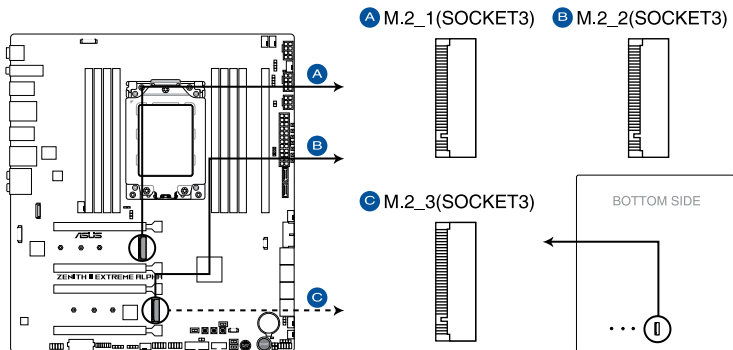
The SATA 6Gb/s connector allows you to connect SATA devices such as optical disc drives and hard disk drives via a SATA cable.



**ROG ZENITH II EXTREME ALPHA ASMedia® SATA 6 Gb/s connector**

## 3. M.2 slot

The M.2 slot allows you to install M.2 devices such as M.2 SSD modules.



**ROG ZENITH II EXTREME ALPHA M.2 slot**



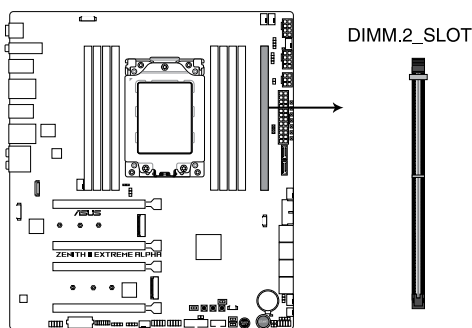
- M.2\_1, M.2\_2, and M.2\_3 sockets support PCIe 4.0 x4 M Key design and type 2242 / 2260 / 2280 storage devices.
- M.2\_3 shares bandwidth with SATA6G\_E1-4; when the M.2\_3 slot on board is operating in PCIe x4 mode, SATA6G\_E1-E4 will be disabled.



The M.2 SSD module is purchased separately.

#### 4. DIMM.2 slot

The DIMM.2 slot allows you to install a DIMM.2 card to support additional M.2 SSD modules.



**ROG ZENITH II EXTREME ALPHA 288-pin DDR4 DIMM.2\_SLOT socket**



- Before you install or remove the DIMM.2 card, ensure that the power supply is switched off or the power cord is detached from the power supply. Failure to do so may cause severe damage to the motherboard or DIMM.2 card.
- The DIMM.2 card is notched to fit in only one orientation. Ensure that the notch on your card is aligned correctly with the DIMM.2 slot before inserting the card.



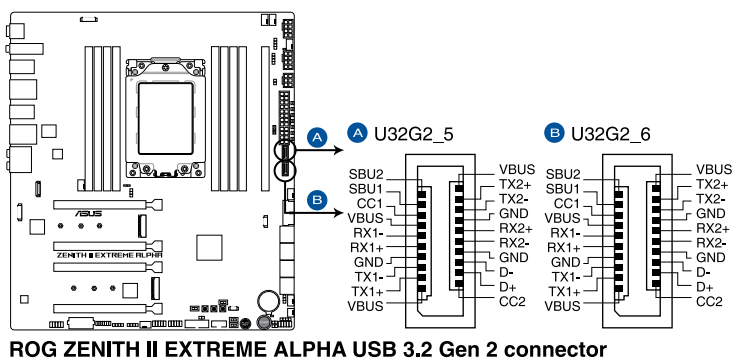
DIMM.2 module supports PCIe 4.0 x4 and SATA mode M Key design and type 2242 / 2260 / 2280 / 22110 PCIe storage devices.



The M.2 SSD module is purchased separately.

## 5. USB 3.2 Gen 2 connector

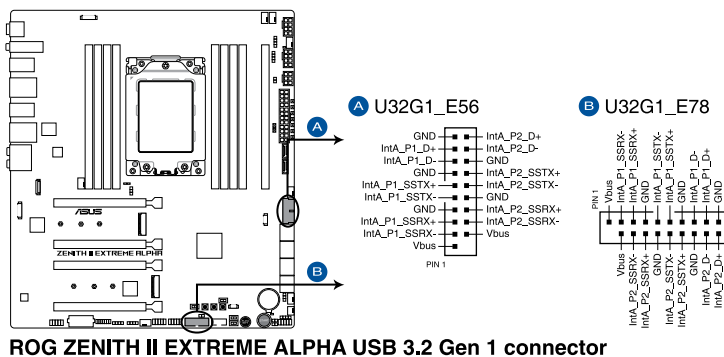
The USB 3.2 Gen 2 connector allows you to connect a USB 3.2 Gen 2 module for additional USB 3.2 Gen 2 ports. The USB 3.2 Gen 2 connector provides data transfer speeds of up to 10 Gb/s.



The USB 3.2 Gen 2 module is purchased separately.

## 6. USB 3.2 Gen 1 connector

The USB 3.2 Gen 1 connector allows you to connect a USB 3.2 Gen 1 module for additional USB 3.2 Gen 1 ports. The USB 3.2 Gen 1 connector provides data transfer speeds of up to 5 Gb/s.



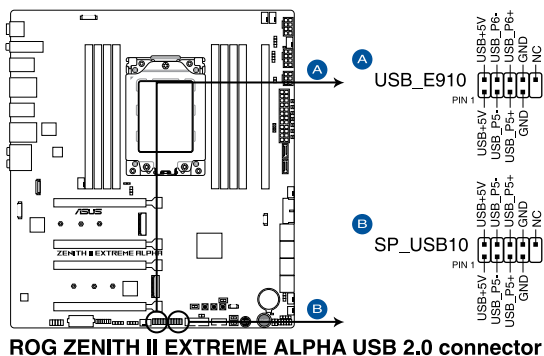
The USB 3.2 Gen 1 module is purchased separately.



The plugged USB 3.2 Gen 1 device may run on xHCI or EHCI mode depending on the operating system's setting.

## 7. USB 2.0 connector

The USB 2.0 connector allows you to connect a USB module for additional USB 2.0 ports. The USB 2.0 connector provides data transfer speeds of up to 480 MB/s connection speed.



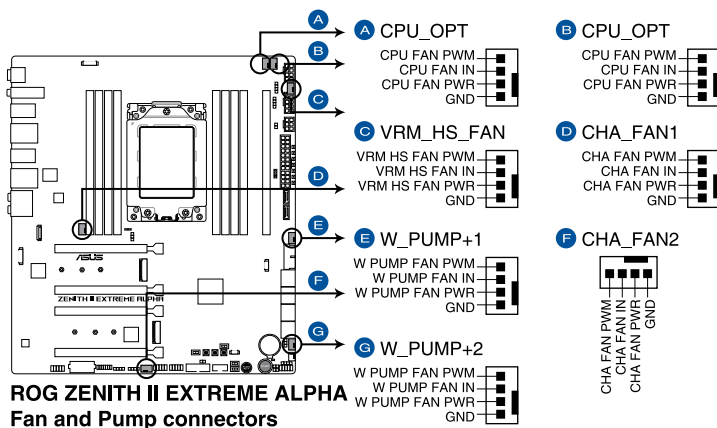
DO NOT connect a 1394 cable to the USB connectors. Doing so will damage the motherboard!



- The **SP\_USB10** connector only supports single port USB 2.0 devices, we recommend you connect a single port device to this connector, and connect the chassis front panel USB 2.0 to the **USB\_E910** connector.
- The USB 2.0 module is purchased separately.

## 8. Fan and Pump connectors

The Fan and Pump connectors allow you to connect fans or pumps to cool the system.



- DO NOT forget to connect the fan cables to the fan connectors. Insufficient air flow inside the system may damage the motherboard components. These are not jumpers! Do not place jumper caps on the fan connectors!
- Ensure the cable is fully inserted into the connector.

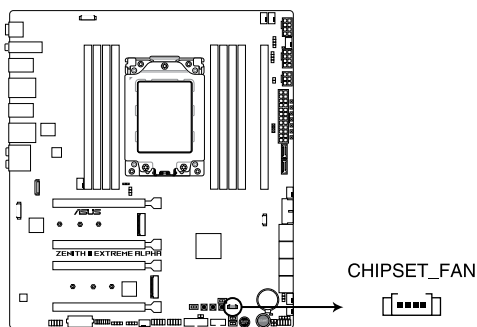


For water cooling kits, connect the pump connector to the **W\_PUMP+1** or **W\_PUMP+2** connector, then connect the fan connectors to the **CPU\_FAN** and **CPU\_OPT** connectors.

Header	Max. Current	Max. Power	Default Speed	Shared Control
CPU_FAN	1A	12W	Q-Fan Controlled	A
CPU_OPT	1A	12W	Q-Fan Controlled	A
CHA_FAN1	1A	12W	Q-Fan Controlled	-
CHA_FAN2	1A	12W	Q-Fan Controlled	-
VRM_HS_FAN	1A	12W	Q-Fan Controlled	-
CHIPSET_FAN	1A	12W	Q-Fan Controlled	-
W_PUMP+1	3A	36W	Full-Speed	-
W_PUMP+2	3A	36W	Full-Speed	-

## 9. Chipset Fan connector

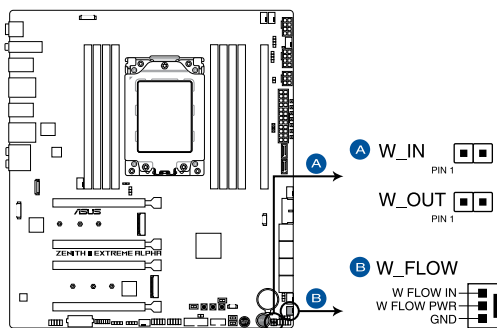
The Chipset Fan connector is for connecting the chipset fan on the integrated heatsink.



**ROG ZENITH II EXTREME ALPHA CHIPSET FAN connector**

## 10. Liquid Cooling System connectors

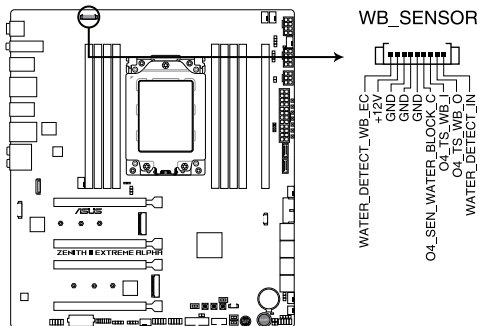
The Liquid Cooling System connectors allow you to connect sensors to monitor the temperature and flow rate of your liquid cooling system. You can manually adjust the fans and water pump to optimize the thermal efficiency of your liquid cooling system.



**ROG ZENITH II EXTREME ALPHA Water Cooling System connectors**

## 11. Water Block connector

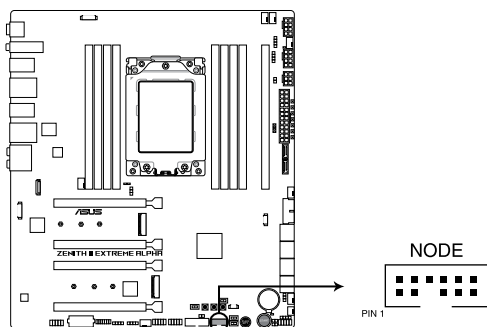
The Water Block connector allows you to connect sensors to monitor the temperature, flow rate, and water leak signals of your third party monoblocks. You can manually adjust the fans and water pump to optimize the thermal efficiency of your third party monoblocks.



**ROG ZENITH II EXTREME ALPHA Water Block connector**

## 12. Node connector

The Node connector allows you to connect a compatible PSU or control a compatible fan extension card.



**ROG ZENITH II EXTREME ALPHA Node connector**

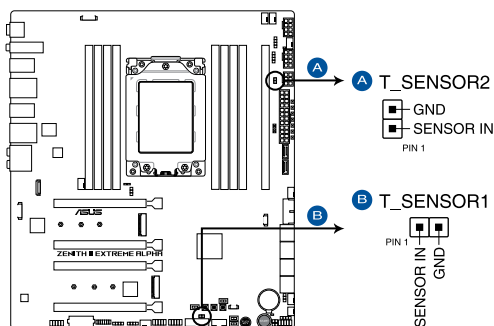


Visit [www.asus.com](http://www.asus.com) for more information about the devices and the latest compatibility list.



### 13. Thermal Sensor connector

The Thermal Sensor connector allows you to connect a sensor to monitor the temperature of the devices and the critical components inside the motherboard. Connect the thermal sensor and place it on the device or the motherboard's component to detect its temperature.



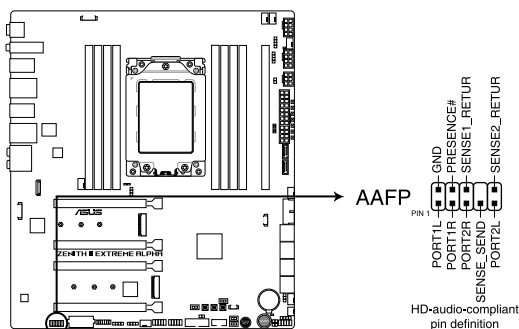
**ROG ZENITH II EXTREME ALPHA Thermal Sensor connector**



The thermal sensor is purchased separately.

### 14. Front Panel Audio connector

The front panel audio connector is for a chassis-mounted front panel audio I/O module that supports HD Audio. Connect one end of the front panel audio I/O module cable to this connector.



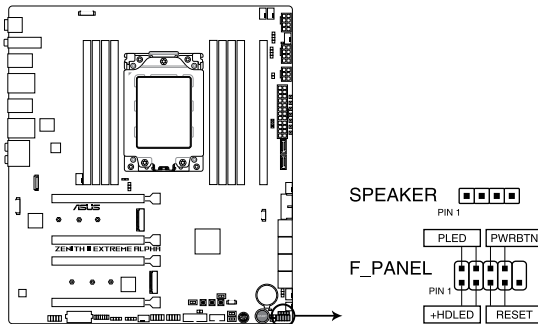
**ROG ZENITH II EXTREME ALPHA Front Panel Audio connector**



We recommend that you connect a high-definition front panel audio module to this connector to avail of the motherboard's high-definition audio capability.

## 15. System Panel connector

The System Panel connector supports several chassis-mounted functions.



**ROG ZENITH II EXTREME ALPHA System panel connector**

- **System Power LED connector (PLED)**

The 2-pin connector allows you to connect the System Power LED. The System Power LED lights up when the system is connected to a power source, or when you turn on the system power, and blinks when the system is in sleep mode.

- **Storage Device Activity LED connector (HDLED)**

The 2-pin connector allows you to connect the Storage Device Activity LED. The Storage Device Activity LED lights up or blinks when data is read from or written to the storage device or storage device add-on card.

- **System Warning Speaker connector (SPEAKER)**

The 4-pin connector allows you to connect the chassis-mounted system warning speaker. The speaker allows you to hear system beeps and warnings.

- **Power Button/Soft-off Button connector (PWRBTN)**

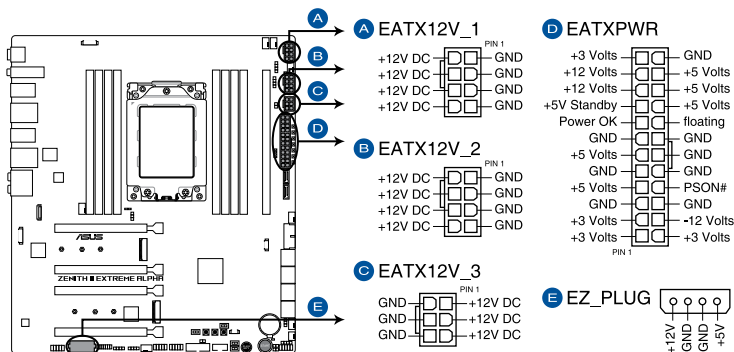
The 3-1 pin connector allows you to connect the system power button. Press the power button to power up the system, or put the system into sleep or soft-off mode (depending on the operating system settings).

- **Reset button connector (RESET)**

The 2-pin connector allows you to connect the chassis-mounted reset button. Press the reset button to reboot the system.

## 16. Power connectors

These Power connectors allow you to connect your motherboard to a power supply. The power supply plugs are designed to fit in only one orientation, find the proper orientation and push down firmly until the power supply plugs are fully inserted.



**ROG ZENITH II EXTREME ALPHA Power connectors**



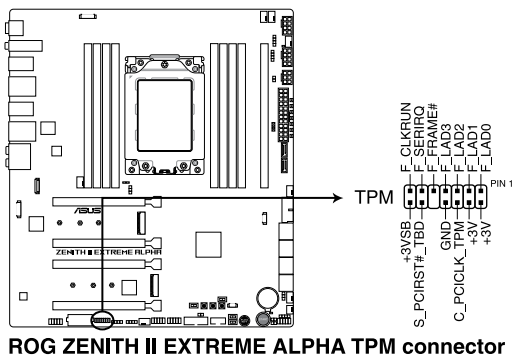
- DO NOT connect the 8-pin power plug only, the motherboard may overheat under heavy usage.
- Due to the CPU minimum power consumption requirement, we recommend using a PSU with 850W or above. Ensure to connect both the 8-pin and 4-pin power plugs (into another 8-pin connector), or two 8-pin power plugs or above to ensure system stability under heavy loading.



- For a fully configured system, we recommend that you use a power supply unit (PSU) that complies with ATX 12 V Specification 2.0 (or later version) and provides a minimum power of 350 W.
- Connect the 4-pin EZ\_PLUG power plugs to ensure sufficient power when you install multiple graphics cards.
- We recommend that you use a PSU with a higher power output when configuring a system with more power-consuming devices. The system may become unstable or may not boot up if the power is inadequate.
- If you want to use two or more high-end PCIe x16 cards, use a PSU with 1000W power or above to ensure the system stability.

## 17. TPM connector

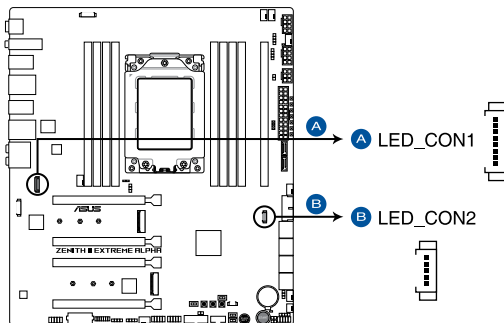
The TPM connector allows you to connect a Trusted Platform Module (TPM). A TPM securely stores keys, digital certificates, passwords, data, and also helps enhance network security, protect digital identities, and ensures platform integrity.



The TPM is purchased separately.

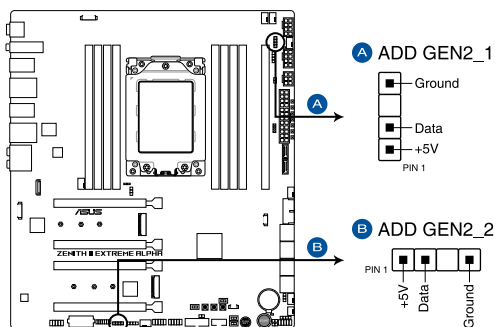
## 18. LED connector

The LED connector is for connecting the LED PCB on your I/O cover.



## 19. Addressable Gen2 LED connector

The Addressable Gen2 LED connector allows you to connect individually addressable RGB WS2812B LED strips or WS2812B based LED strips.



### ROG ZENITH II EXTREME ALPHA Addressable RGB LED connector



The Addressable Gen2 LED connector supports WS2812B addressable RGB LED strips (5V/Data/Ground), with a maximum power rating of 3A (5V) and a maximum of 120 LEDs.



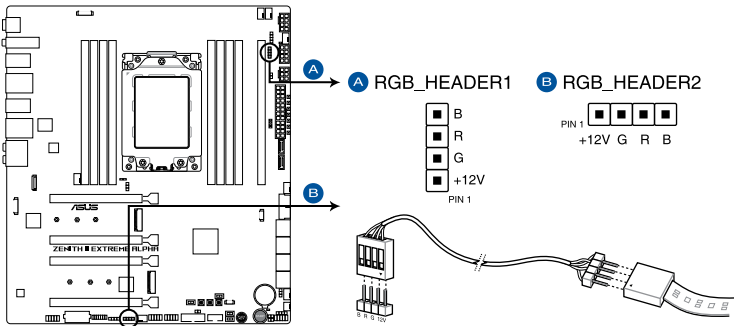
Before you install or remove any component, ensure that the power supply is switched off or the power cord is detached from the power supply. Failure to do so may cause severe damage to the motherboard, peripherals, or components.



- Actual lighting and color will vary with LED strip.
- If your LED strip does not light up, check if the addressable RGB LED strip is connected in the correct orientation, and the 5V connector is aligned with the 5V header on the motherboard.
- The addressable RGB LED strip will only light up when the system is powered on.
- The addressable RGB LED strip is purchased separately.

## 20. AURA RGB LED connector

The AURA RGB LED connector allows you to connect RGB LED strips.



**ROG ZENITH II EXTREME ALPHA AURA RGB LED connector**



The AURA RGB LED connector supports 5050 RGB multi-color LED strips (12V/G/R/B), with a maximum power rating of 3A (12V).



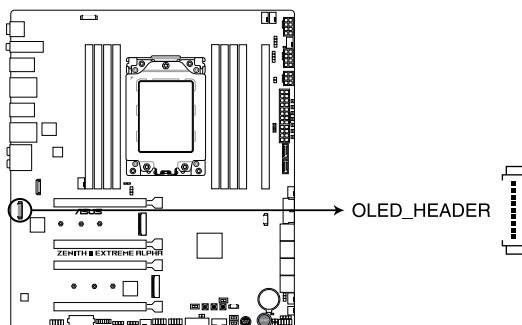
Before you install or remove any component, ensure that the power supply is switched off or the power cord is detached from the power supply. Failure to do so may cause severe damage to the motherboard, peripherals, or components.



- Actual lighting and color will vary with LED strip.
- If your LED strip does not light up, check if the RGB LED extension cable and the RGB LED strip is connected in the correct orientation, and the 12V connector is aligned with the 12V header on the motherboard.
- The LED strip will only light up when the system is powered on.
- The LED strip is purchased separately.

## 21. OLED connector

The OLED connector allows you to connect the LiveDash OLED panel. The OLED panel provides you a quick overview of the system temperature, power status, and fan speeds when your system boots up.



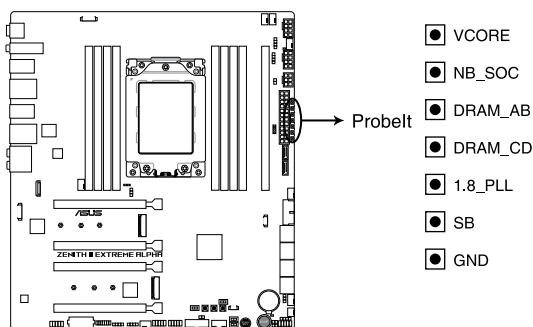
**ROG ZENITH II EXTREME ALPHA OLED connector**



- Use the **Armoury Crate** or **ROG LiveDash Utility** to configure and customize the LiveDash OLED panel.
- The LiveDash OLED displays a Q-Code that provides the most probable cause of an error code as a starting point for troubleshooting. The actual cause may vary from case to case.
- Please refer to the Q-Code table in the **Appendix** section for more details.

## 1.11 Probelts

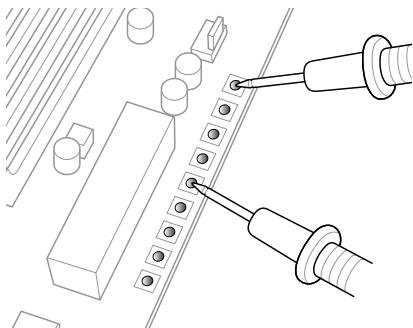
The ROG Probelts allows you to detect your system's current voltage and OC settings using a multimeter. You can also measure the Probelts points during overclocking.



**ROG ZENITH II EXTREME ALPHA Probelts**

### Using Probelts

Connect one of the probe onto the **GND** Probelts point, then connect the other probe onto another Probelts point to measure the corresponding voltage information.



The illustration above is for reference only, the actual motherboard layout and measure points may differ by model.



# Basic Installation

# 2

## 2.1 Building your PC system



The diagrams in this section are for reference only. The motherboard layout may vary with models, but the installation steps are the same for all models.

### 2.1.1 CPU installation

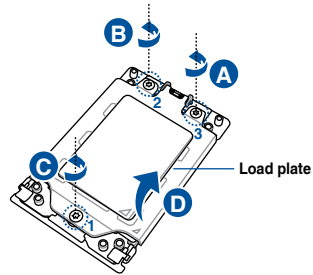


The AMD Socket sTRX4 is compatible with 3rd Gen AMD Ryzen™ Threadripper™ Desktop Processors. Ensure you use a CPU designed for the Socket sTRX4. The CPU fits in only one correct orientation. **DO NOT** force the CPU into the socket to prevent bending the connectors on the socket and damaging the CPU!

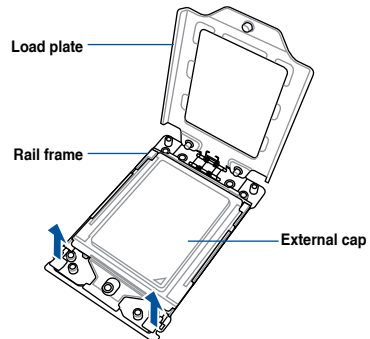


Unplug all power cables before installing the CPU.

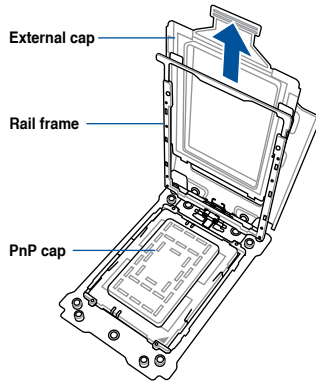
- 1 Use the bundled Torx screwdriver to remove the load plate screws in sequence 3>2>1, then lift the load plate.



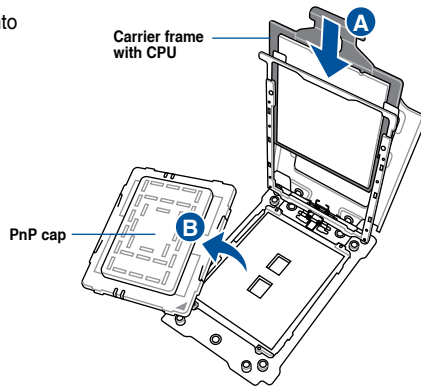
- 2 Use your fingers to pull up the tabs on both sides of the rail frame to release the rail frame, then lift the rail frame to its fully open position.



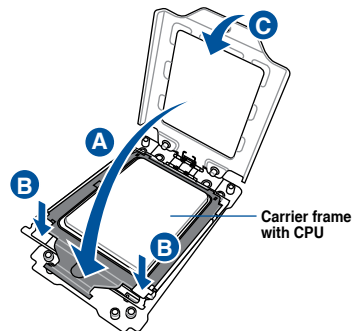
- 3 Remove the external cap.



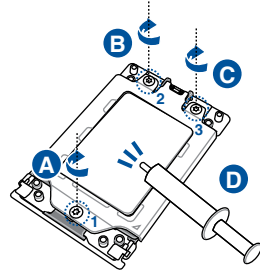
- 4 Slide the carrier frame with CPU into the rail frame until you hear a click sound, then remove the PnP cap.



- 5 Gently press down the rail frame until it latches to the socket housing, then press down the load plate.



- 6 Drive the three screws slightly into the holes in sequence 1>2>3, just enough to attach the load plate to the socket. When the three screws are attached, tighten them in sequence 1>2>3 to completely secure the load plate. Then apply the Thermal Interface Material to the CPU.



---

The load plate screws are Torx T20 models. A torque value of 12 inch-lbf is recommended.

---



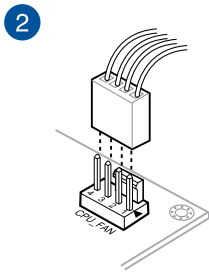
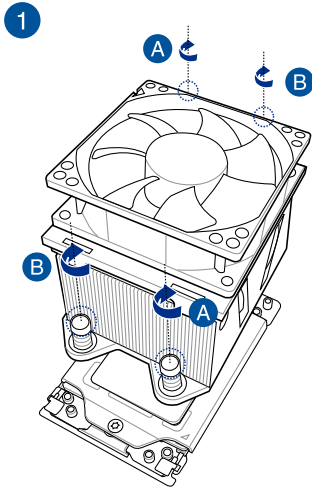
---

Apply the Thermal Interface Material to the CPU heatsink and CPU before you install the heatsink and fan if necessary.

---

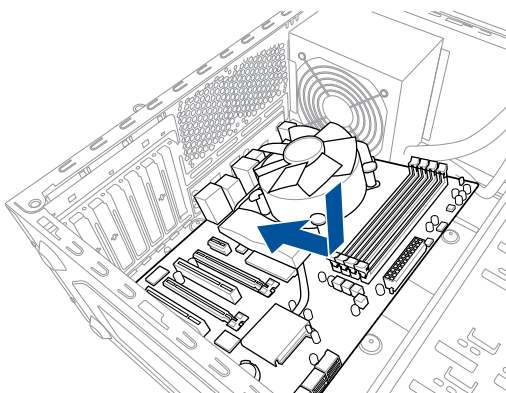
## 2.1.2 Cooling system installation

To install the CPU heatsink and fan assembly:

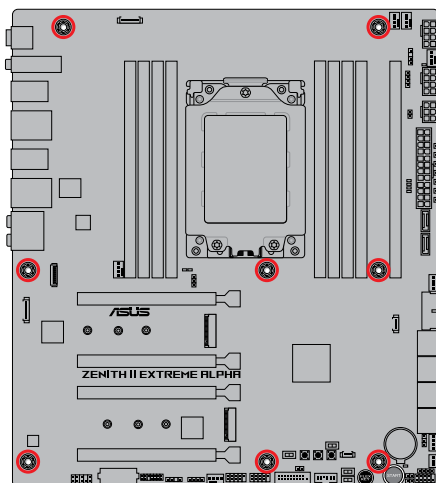
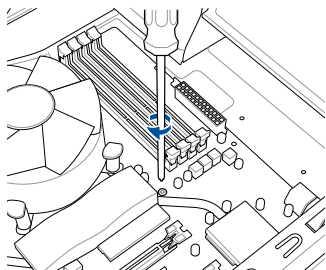


## 2.1.3 Motherboard installation

1. Place the motherboard into the chassis, ensuring that its rear I/O ports are aligned to the chassis' rear I/O panel.

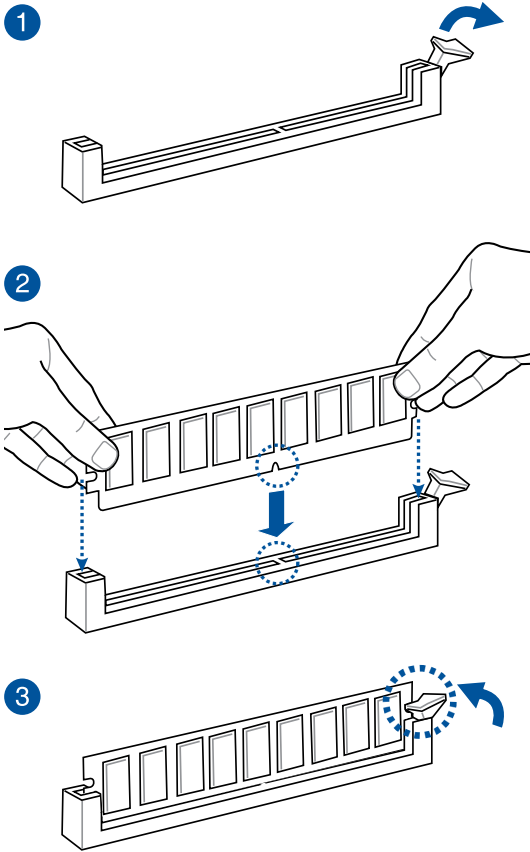


2. Place eight (8) screws into the holes indicated by circles to secure the motherboard to the chassis.

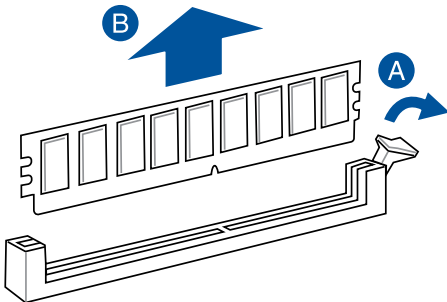


- DO NOT over tighten the screws! Doing so can damage the motherboard.
- Ensure that the space above the installed motherboard is at least 8cm to prevent the MOS heatsink from interfering with the radiator or chassis fans.
- We recommend using an E-ATX chassis when installing this motherboard.

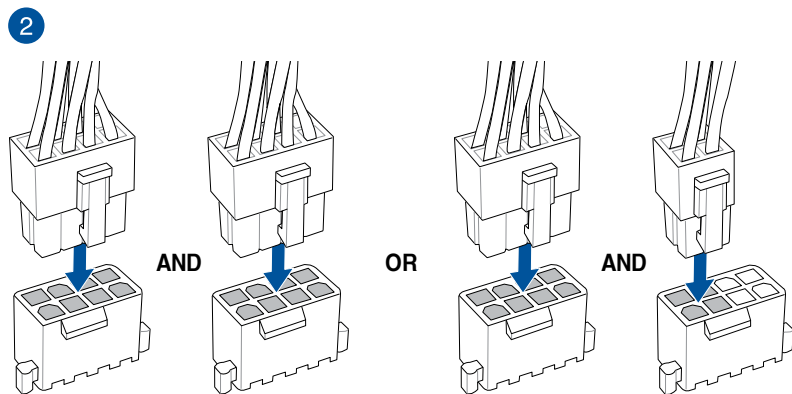
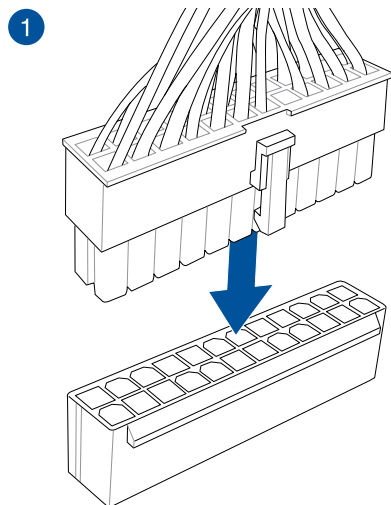
## 2.1.4 DIMM installation



To remove a DIMM

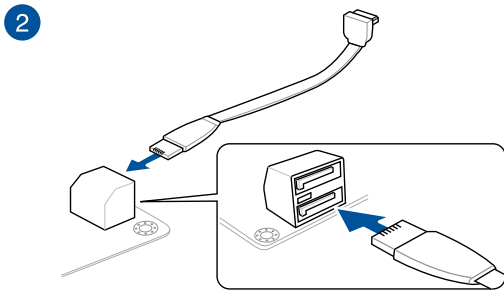
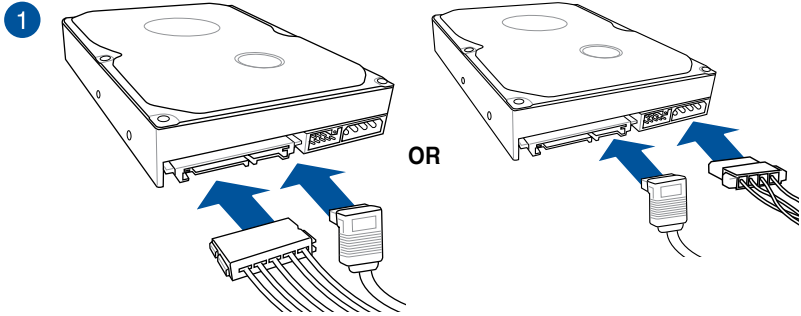


## 2.1.5 ATX power connection



Ensure to connect the two 8-pin power plugs, or connect both the 8-pin and 4-pin power plugs (into another 8-pin connector).

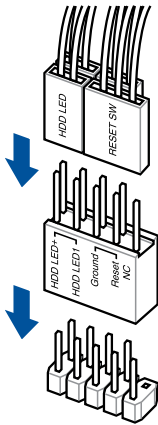
## 2.1.6 SATA device connection



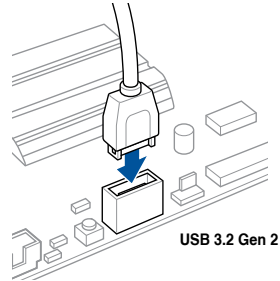


## 2.1.7 Front I/O connector

### To install ASUS Q-Connector

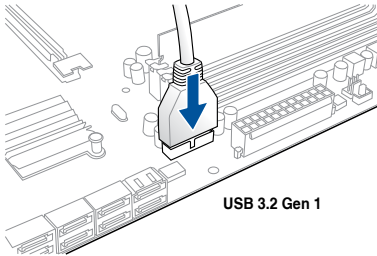


### To install USB 3.2 Gen 2 connector

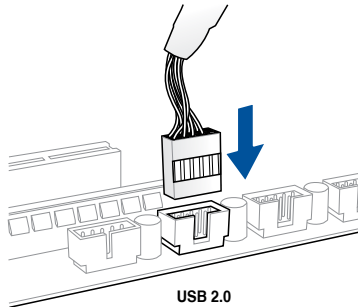


This connector will only fit in one orientation. Push the connector until it clicks into place.

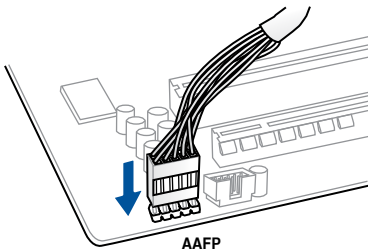
### To install USB 3.2 Gen 1 connector



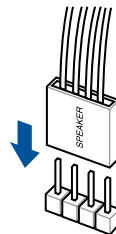
### To install USB 2.0 connector



### To install front panel audio connector

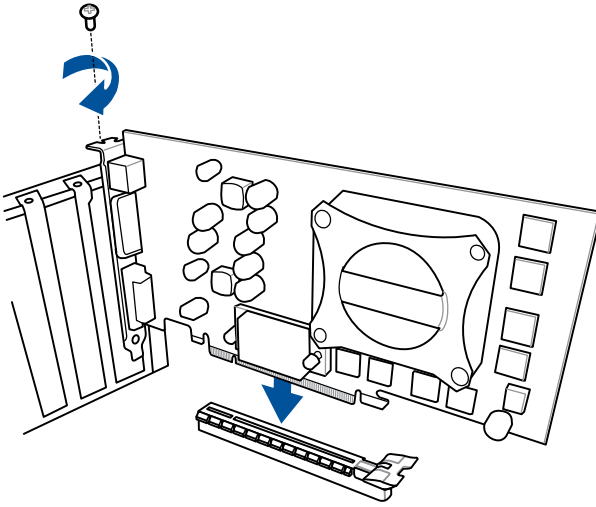


### To install system speaker connector



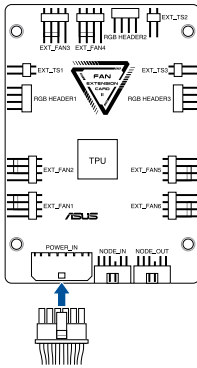
## 2.1.8 Expansion card installation

To install PCIe x16 cards

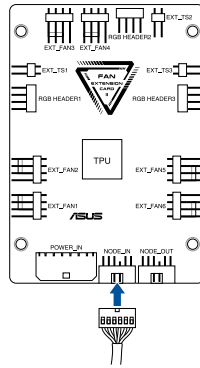


## To install FAN EXTENSION CARD II

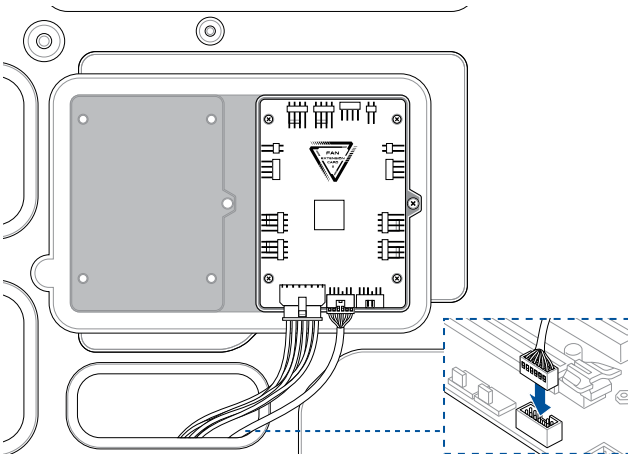
1



2



3

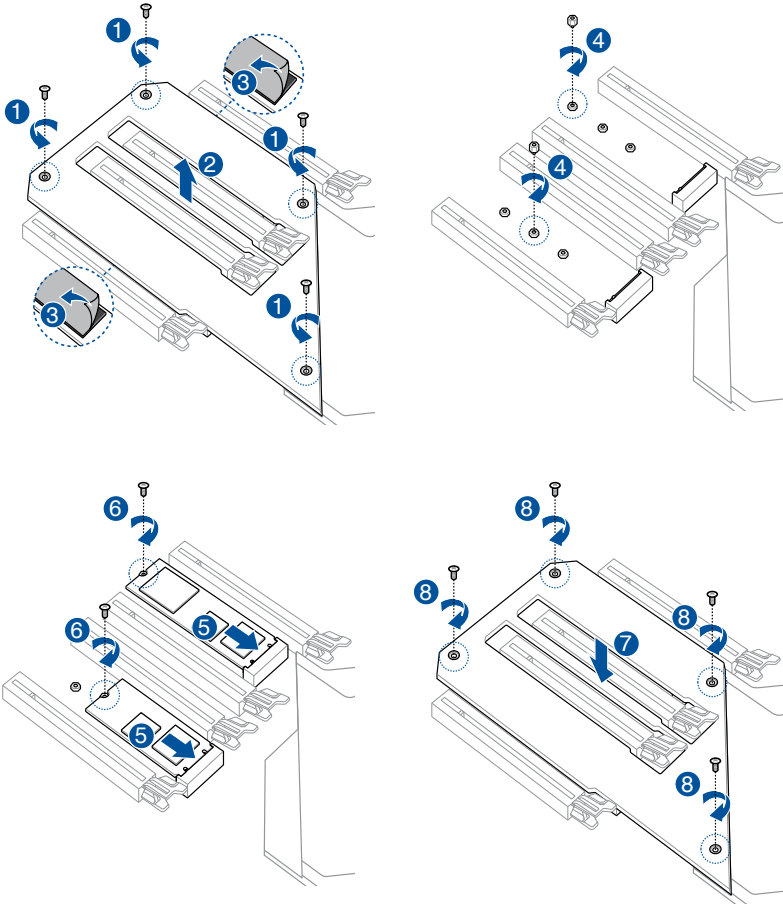


The illustrations in this section are for reference only. The chassis and motherboard layout may vary with models, but the installation steps are the same for all models.

## 2.1.9 M.2 installation



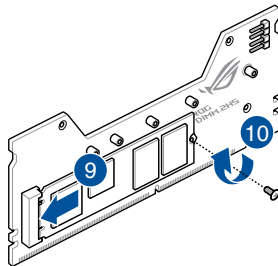
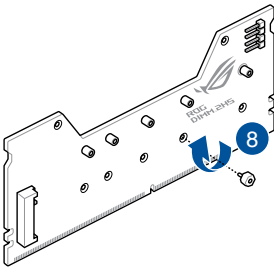
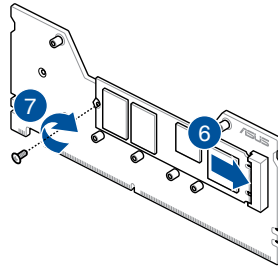
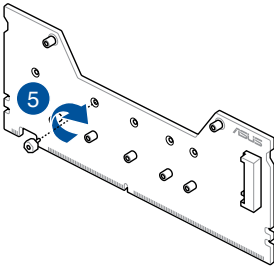
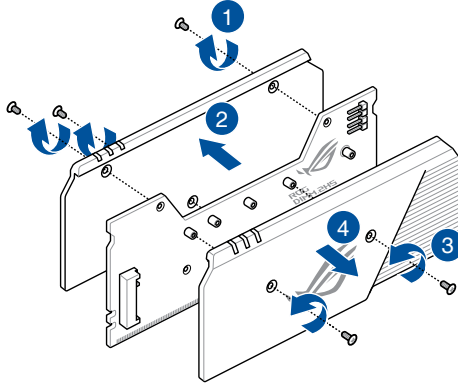
Supported M.2 type varies per motherboard.

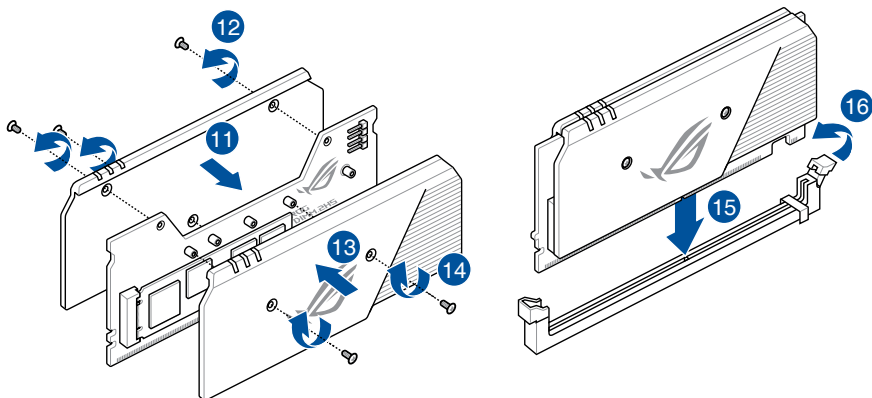


## 2.1.10 DIMM.2 installation



- Supported M.2 type varies per motherboard.
- The M.2 SSD module is purchased separately.





- Before you install or remove the DIMM.2 card, ensure that the ATX power supply is switched off or the power cord is detached from the power supply. Failure to do so may cause severe damage to the motherboard or DIMM.2 card.
- The DIMM.2 card is notched to fit in only one orientation. Ensure that the notch on your card is aligned correctly with the DIMM.2 slot before inserting the card.

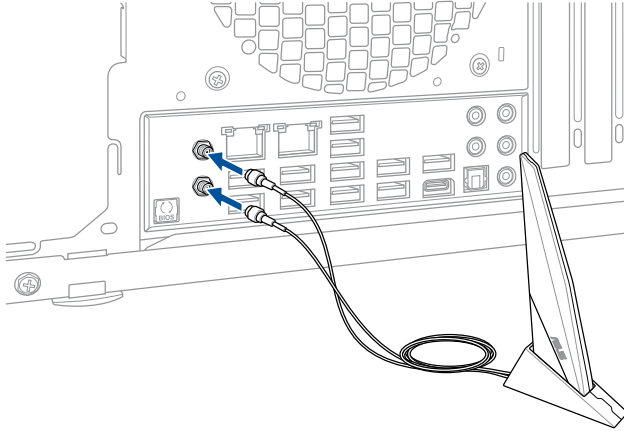


- DIMM.2 module supports PCIe 4.0 x4 and SATA mode M Key design and type 2242 / 2260 / 2280 / 22110 storage devices.
- When using the DIMM.2 Heatsink module, we recommend removing the M.2 SSD's default thermal heatsink before installing the M.2 SSD to the DIMM.2 Heatsink module.
- If your M.2 SSD does not feature a flash chip on the back, please remove the default M.2 pads on your DIMM.2 module and replace them with the bundled taller M.2 pads.

## 2.1.11 Wi-Fi antenna installation

### Installing the ASUS 2x2 dual band W-Fi antenna

Connect the bundled ASUS 2x2 dual band Wi-Fi antenna connector to the Wi-Fi ports at the back of the chassis.



- Ensure that the ASUS 2x2 dual band Wi-Fi antenna is securely installed to the Wi-Fi ports.
- Ensure that the antenna is at least 20 cm away from all persons.



The illustration above is for reference only. The I/O port layout may vary with models, but the Wi-Fi antenna installation procedure is the same for all models.

## 2.2 BIOS update utility

### BIOS FlashBack™

BIOS FlashBack™ allows you to easily update the BIOS without entering the existing BIOS or operating system. Simply insert a USB storage device to the USB port (the USB port hole marked in green on the I/O shield) then press the BIOS FlashBack™ button for three seconds to automatically update the BIOS.

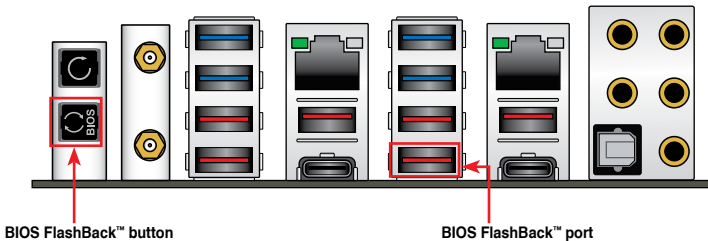
#### To use BIOS FlashBack™:

1. Insert a USB storage device to the BIOS FlashBack™ port.



We recommend you to use a USB 2.0 storage device to save the latest BIOS version for better compatibility and stability.

2. Visit <https://www.asus.com/support/> and download the latest BIOS version for this motherboard.
3. Rename the file as **Z2EA.CAP**, then copy it to your USB storage device.
4. Shut down your computer.
5. Press the BIOS FlashBack™ button for three seconds until the FlashBack™ LED blinks three times, indicating that the BIOS FlashBack™ function is enabled.



6. Wait until the light goes out, indicating that the BIOS updating process is completed.



For more BIOS update utilities in BIOS setup, refer to the section **Updating BIOS** in Chapter 3.

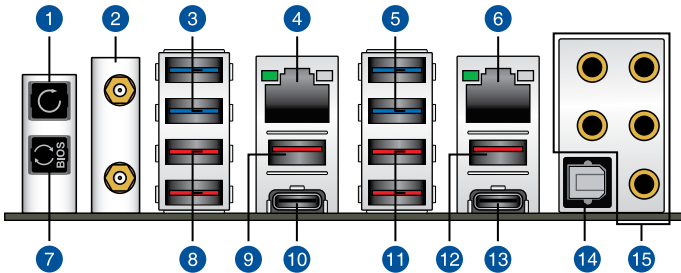


- Do not unplug portable disk, power system, or press the CLR\_CMOS button while BIOS update is ongoing, otherwise update will be interrupted. In case of interruption, please follow the steps again.
- If the light flashes for five seconds and turns into a solid light, this means that the BIOS FlashBack™ is not operating properly. This may be caused by improper installation of the USB storage device and filename/file format error. If this scenario happens, please restart the system to turn off the light.
- Updating BIOS may have risks. If the BIOS program is damaged during the process and results to the system's failure to boot up, please contact your local ASUS Service Center.



## 2.3 Motherboard rear and audio connections

### 2.3.1 Rear I/O connection



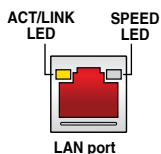
#### Rear panel connectors

1.	Clear CMOS button (CLR_CMOS). Press this button to clear the BIOS setup information only when the systems hangs due to overlocking.
2.	Wi-Fi 802.11 a/b/g/n/ac/ax, Bluetooth V5.0
3.	USB 3.2 Gen 1 ports E34
4.	LAN (RJ-45) port*
5.	USB 3.2 Gen 1 ports E12
6.	10G LAN (RJ-45) port*
7.	USB BIOS FlashBack™ button
8.	USB 3.2 Gen 2 Type-A port 34
9.	USB 3.2 Gen 2 Type-A port 7
10.	USB 3.2 Gen 2 Type-C® port C8
11..	USB 3.2 Gen 2 Type-A port 12. Lower port supports BIOS FlashBack™ function.
12..	USB 3.2 Gen 2 Type-A port 9
13.	USB 3.2 Gen 2x2 Type-C® port EC1
14.	Optical S/PDIF OUT port
15.	LED-illuminated Audio Jacks**

\* and \*\*: Refer to the tables on the next page for LAN port LEDs, and audio port definitions.

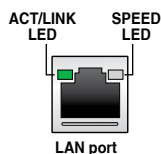
## \* LAN ports LED indications

Activity Link LED		Speed LED	
Status	Description	Status	Description
OFF	No link	OFF	10 Mbps connection
ORANGE	Linked	ORANGE	100 Mbps connection
ORANGE (Blinking)	Data activity	GREEN	1 Gbps connection
ORANGE (Blinking then Steady)	Ready to wake up from S5 mode		



## Aquantia AQC-107 10G LAN port LED indications

Activity Link LED		Speed LED	
Status	Description	Status	Description
OFF	No link	OFF	No link
GREEN	Linked	GREEN	10 Gbps
BLINKING	Data activity	ORANGE	5 Gbps / 2.5 Gbps / 1 Gbps / 100 Mbps connection

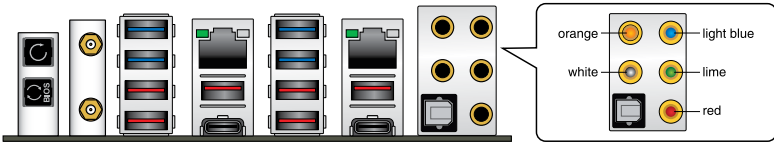


## \*\* Audio 2, 4, 5.1 or 7.1-channel configuration

Port	Headset 2-channel	4-channel	5.1-channel	7.1-channel
Light Blue	Line In	Line In	Line In	Side Speaker Out
Lime	Line Out	Front Speaker Out	Front Speaker Out	Front Speaker Out
Red	Mic In	Mic In	Mic In	Mic In
Orange	–	–	Center/Sub woofer	Center/Sub woofer
White	–	Rear Speaker Out	Rear Speaker Out	Rear Speaker Out

## 2.3.2 Audio I/O connections

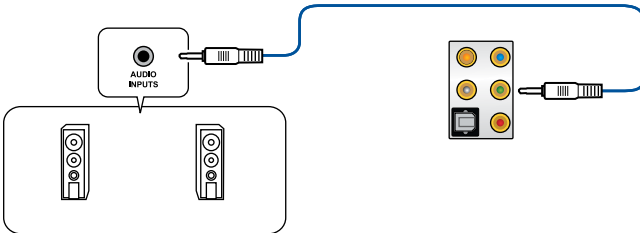
### Audio I/O ports



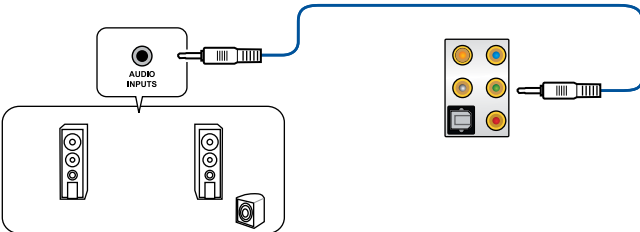
### Connect to Headphone and Mic



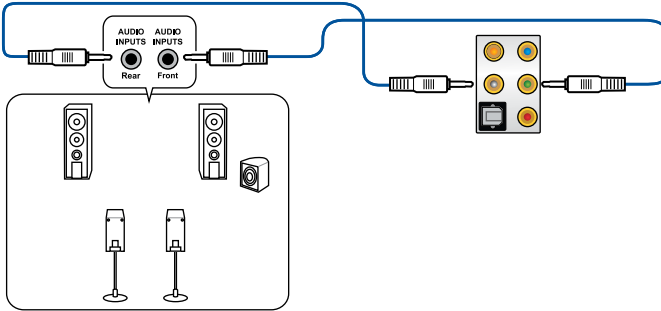
### Connect to Stereo Speakers



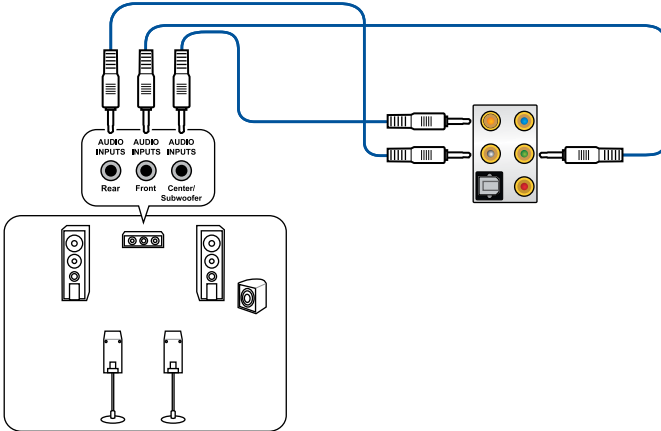
### Connect to 2-channel Speakers



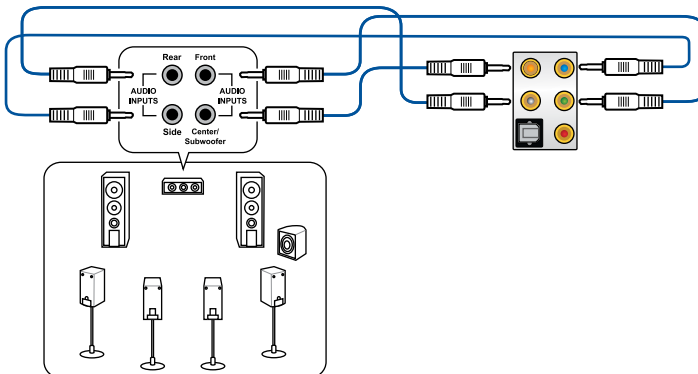
## Connect to 4-channel Speakers



## Connect to 5.1-channel Speakers



## Connect to 7.1-channel Speakers



## 2.4 Starting up for the first time

1. After making all the connections, replace the system case cover.
2. Ensure that all switches are off.
3. Connect the power cord to the power connector at the back of the system chassis.
4. Connect the power cord to a power outlet that is equipped with a surge protector.
5. Turn on the devices in the following order:
  - a. Monitor
  - b. External storage devices (starting with the last device on the chain)
  - c. System power
6. After applying power, the system power LED on the system front panel case lights up. For systems with ATX power supplies, the system LED lights up when you press the ATX power button. If your monitor complies with the “green” standards or if it has a “power standby” feature, the monitor LED may light up or change from orange to green after the system LED turns on.

The system then runs the power-on self tests (POST). While the tests are running, the BIOS beeps (refer to the BIOS beep codes table) or additional messages appear on the screen. If you do not see anything within 30 seconds from the time you turned on the power, the system may have failed a power-on test. Check the jumper settings and connections or call your retailer for assistance.

BIOS Beep	Description
One short beep	VGA detected Quick boot set to disabled No keyboard detected
One continuous beep followed by two short beeps then a pause (repeated)	No memory detected
One continuous beep followed by three short beeps	No VGA detected
One continuous beep followed by four short beeps	Hardware component failure

7. At power on, hold down the <Delete> key to enter the BIOS Setup. Follow the instructions in Chapter 3.

## 2.5 Turning off the computer

While the system is ON, press the power button for less than four seconds to put the system on sleep mode or soft-off mode, depending on the BIOS setting. Press the power button for more than four seconds to let the system enter the soft-off mode regardless of the BIOS setting.



# BIOS Setup

## 3.1 Knowing BIOS

---



The new ASUS UEFI BIOS is a Unified Extensible Interface that complies with UEFI architecture, offering a user-friendly interface that goes beyond the traditional keyboard-only BIOS controls to enable a more flexible and convenient mouse input. You can easily navigate the new UEFI BIOS with the same smoothness as your operating system. The term “BIOS” in this user manual refers to “UEFI BIOS” unless otherwise specified.

---

BIOS (Basic Input and Output System) stores system hardware settings such as storage device configuration, overclocking settings, advanced power management, and boot device configuration that are needed for system startup in the motherboard CMOS. In normal circumstances, the default BIOS settings apply to most conditions to ensure optimal performance. **DO NOT change the default BIOS settings** except in the following circumstances:

- An error message appears on the screen during the system bootup and requests you to run the BIOS Setup.
- You have installed a new system component that requires further BIOS settings or update.



Inappropriate BIOS settings may result to instability or boot failure. **We strongly recommend that you change the BIOS settings only with the help of a trained service personnel.**

---



When downloading or updating the BIOS file, rename it as **Z2EA.CAP** for this motherboard.

---

## 3.2 BIOS setup program

Use the BIOS Setup to update the BIOS or configure its parameters. The BIOS screen include navigation keys and brief onscreen help to guide you in using the BIOS Setup program.

### Entering BIOS at startup

To enter BIOS Setup at startup, press <Delete> or <F2> during the Power-On Self Test (POST). If you do not press <Delete> or <F2>, POST continues with its routines.

### Entering BIOS Setup after POST

To enter BIOS Setup after POST:

- Press <Ctrl>+<Alt>+<Delete> simultaneously.
- Press the reset button on the system chassis.
- Press the power button to turn the system off then back on. Do this option only if you failed to enter BIOS Setup using the first two options.

After doing either of the three options, press <Delete> key to enter BIOS.



- 
- The BIOS setup screens shown in this section are for reference purposes only, and may not exactly match what you see on your screen.
  - Ensure that a USB mouse is connected to your motherboard if you want to use the mouse to control the BIOS setup program.
  - If the system becomes unstable after changing any BIOS setting, load the default settings to ensure system compatibility and stability. Select the **Load Optimized Defaults** item under the **Exit** menu or press hotkey <F5>. See section 3.10 **Exit Menu** for details.
  - If the system fails to boot after changing any BIOS setting, try to clear the CMOS and reset the motherboard to the default value. See section 2.3.1 **Rear I/O connection** in your user manual for the location of the Clear CMOS button to clear RTC RAM.
  - The BIOS setup program does not support the Bluetooth devices.
- 



---

Please visit ASUS website for the detailed BIOS content manual.

---

### BIOS menu screen

The BIOS Setup program can be used under two modes: **EZ Mode** and **Advanced Mode**. You can change modes from **Setup Mode** in **Boot menu** or by pressing the <F7> hotkey.



### 3.2.1 Advanced Mode

The Advanced Mode provides advanced options for experienced end-users to configure the BIOS settings. The figure below shows an example of the Advanced Mode. Refer to the following sections for the detailed configurations.



The default screen for entering the BIOS setup program can be changed. Refer to the **Setup Mode** item in section **Boot menu** for details.

**Configuration fields**

**Pop-up Menu**

**Menu bar**    Language    MyFavorite(F3)    Qfan Control(F6)    Search(F9)    AURA ON/OFF(F4)    Scroll bar

UEFI BIOS Utility - Advanced Mode  
 12/23/2019 Monday 10:17  
 English MyFavorite(F3) Qfan Control(F6) Search(F9) AURA ON/OFF(F4)

My Favorites    Main    **AI Tweaker**    Advanced    Monitor    Boot    Tool    Exit

LN2 Mode: Disabled  
 Target CPU Speed : 3800MHz  
 Target DRAM Frequency : 2133MHz  
 Target FCLK Frequency : 1200MHz

**AI Overclock Tuner**    Default

Performance Enhancer    Auto

Memory Frequency    Default

FCLK Frequency    Manual

Core Performance Boost    D.O.C.P. Standard

CPU Core Ratio    Auto

> CPU Core Ratio (Per CCX)    Auto

EPU Power Saving Mode    Auto

TPU    Disabled

Keep Current Settings

[Manual] When the manual mode is selected, the BCLK(base clock) frequency can be assigned manually. [D.O.C.P Standard] Loads standardized unbiased settings.

Hardware Monitor

**CPU**

Frequency	Temperature
3800 MHz	62°C
BCLK	Core Voltage
100.00 MHz	1.385 V
Ratio	
38x	

**Memory**

Frequency	Vol_CHAB
2133 MHz	1.208 V
Capacity	Vol_CHCD
16384 MB	1.216 V

**Voltage**

+12V	+5V
12.264 V	5.000 V
+3.3V	
3.248 V	

Version 2.20.1275. Copyright (C) 2019 American Megatrends, Inc.

Last Modified    EzMode(F7) | →    Hot Keys [F7]    Search on FAQ

**Menu items**    General help    Last modified settings    Hot Keys    Go back to EZ Mode    Search on the FAQ

Displays a quick overview of the system status and prediction

## Menu bar

The menu bar on top of the screen has the following main items:

<b>My Favorites</b>	For saving the frequently-used system settings and configuration.
<b>Main</b>	For changing the basic system configuration
<b>Ai Tweaker</b>	For changing the overclocking settings
<b>Advanced</b>	For changing the advanced system settings
<b>Monitor</b>	For displaying the system temperature, power status, and changing the fan settings.
<b>Boot</b>	For changing the system boot configuration
<b>Tool</b>	For configuring options for special functions
<b>Exit</b>	For selecting the exit options and loading default settings

### Menu items

The highlighted item on the menu bar displays the specific items for that menu. For example, selecting **Main** shows the Main menu items.

The other items (My Favorites, Ai Tweaker, Advanced, Monitor, Boot, Tool, and Exit) on the menu bar have their respective menu items.

### Submenu items

A greater than sign (>) before each item on any menu screen means that the item has a submenu. To display the submenu, select the item and press <Enter>.

### Language

This button above the menu bar contains the languages that you can select for your BIOS. Click this button to select the language that you want to display in your BIOS screen.

### My Favorites(F3)

This button above the menu bar shows all BIOS items in a Tree Map setup. Select frequently-used BIOS settings and save it to MyFavorites menu.



---

Refer to section **My Favorites** for more information.

---

### Q-Fan Control(F6)

This button above the menu bar displays the current settings of your fans. Use this button to manually tweak the fans to your desired settings.



---

Refer to section **Q-Fan Control** for more information.

---

### Search (F9)

This button allows you to search for BIOS items by entering its name, enter the item name to find the related item listing.

## AURA (F4)

This button allows you to turn the RGB LED lighting or functional LED on or off.

[All On]: All LEDs (Aura or Functional) will be enabled.

[Aura Only]: Aura LEDs will be enabled and functional LEDs will be disabled.

[Aura Off]: Aura LEDs will be disabled, however functional LEDs will still be enabled.

[Stealth Mode]: All LEDs (Aura and Functional) will be disabled.

## Search on FAQ

Move your mouse over this button to show a QR code, scan this QR code on your mobile device to connect to the BIOS FAQ web page of the ASUS support website. You can also scan the following QR code:



## Hot keys

This button above the menu bar contains the navigation keys for the BIOS setup program. Use the navigation keys to select items in the menu and change the settings.

## Scroll bar

A scroll bar appears on the right side of a menu screen when there are items that do not fit on the screen. Press the Up/Down arrow keys or <Page Up> / <Page Down> keys to display the other items on the screen.

## General help

At the bottom of the menu screen is a brief description of the selected item. Use <F12> key to capture the BIOS screen and save it to the removable storage device.

## Configuration fields

These fields show the values for the menu items. If an item is user-configurable, you can change the value of the field opposite the item. You cannot select an item that is not user-configurable.

A configurable field is highlighted when selected. To change the value of a field, select it and press <Enter> to display a list of options.

## Last Modified button

This button shows the items that you last modified and saved in BIOS Setup.

### 3.2.2 EZ Mode

The EZ Mode provides you an overview of the basic system information, and allows you to select the display language, system performance, mode and boot device priority. To access the Advanced Mode, select **Advanced Mode** or press the <F7> hotkey for the advanced BIOS settings.



To switch from Advanced Mode to EZ Mode, click **EZ Mode(F7)** or press the <F7> hotkey.

Displays a quick overview of the system status

Displays the system properties of the selected mode. Click < or > to switch modes

The screenshot shows the 'UEFI BIOS Utility - EZ Mode' interface. At the top, it displays the date '12/23/2019 Monday', time '10:18', language 'English', and search function 'Search(F9)'. The main area is divided into several sections: 'Information' (ROG ZENITH III EXTREME, BIOS Ver. 0702, AMD Ryzen Threadripper 3960X 24-Core Processor, Speed: 3800 MHz, Memory: 16384 MB (DDR4 2133MHz)), 'CPU Temperature' (71°C), 'CPU Core Voltage' (1.337 V), 'Motherboard Temperature' (28°C), 'DRAM Status' (DIMM\_A1: Corsair 8192MB 2133MHz, DIMM\_A2: N/A, DIMM\_B1: N/A, DIMM\_B2: N/A, DIMM\_C1: Corsair 8192MB 2133MHz, DIMM\_C2: N/A, DIMM\_D1: N/A, DIMM\_D2: N/A), 'Storage Information' (USB: JetFlashTranscend 4GB 8.07 (4.0GB)), 'EZ System Tuning' (Normal), 'Boot Priority' (UEFI: JetFlashTranscend 4GB 8.07, Partition 1 (4.0GB)), 'FAN Profile' (CHA1 FAN, CPU FAN 4115 RPM, CHA2 FAN, W\_PUMP+ 1, W\_PUMP+ 2, VRM HS FAN, CHIPSET FAN, NODE PSU FAN), and 'CPU FAN' (graph showing fan speed vs temperature, QFan Control button). At the bottom, navigation options are listed: Default(F5), Save & Exit(F10), Advanced Mode(F7) [F7], and Search on FAQ.

Selects the display language of the BIOS setup program

Search(F9)

AURA ON/OFF(F4)

Displays the CPU Fan's speed. Click the button to manually tune the fans

Loads optimized default settings

Saves the changes and resets the system

Click to go to Advanced mode

Search on the FAQ

Click to display boot devices

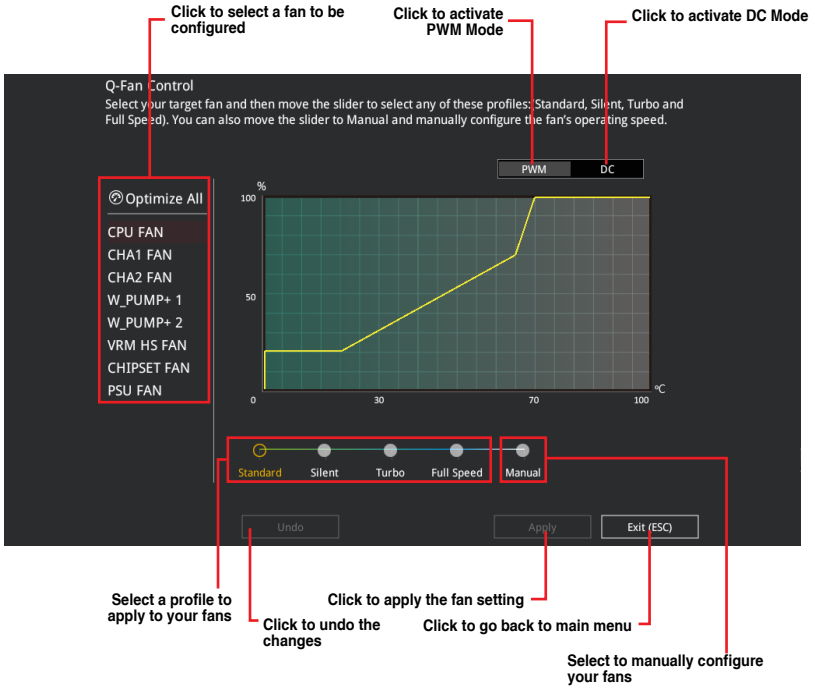
Selects the boot device priority



The boot device options vary depending on the devices you installed to the system.

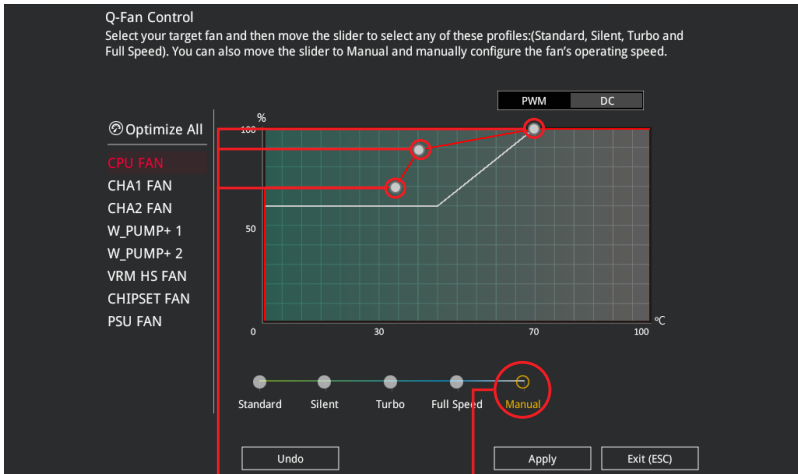
### 3.2.3 Q-Fan Control

The Q-Fan Control allows you to set a fan profile or manually configure the operating speed of your CPU and chassis fans.



## Configuring fans manually

Select **Manual** from the list of profiles to manually configure your fans' operating speed.



Speed points

Select to manually  
configure your fans

To configure your fans:

1. Select the fan that you want to configure and to view its current status.
2. Click and drag the speed points to adjust the fans' operating speed.
3. Click **Apply** to save the changes then click **Exit (ESC)**.

### 3.3 My Favorites

My Favorites is your personal space where you can easily save and access your favorite BIOS items.

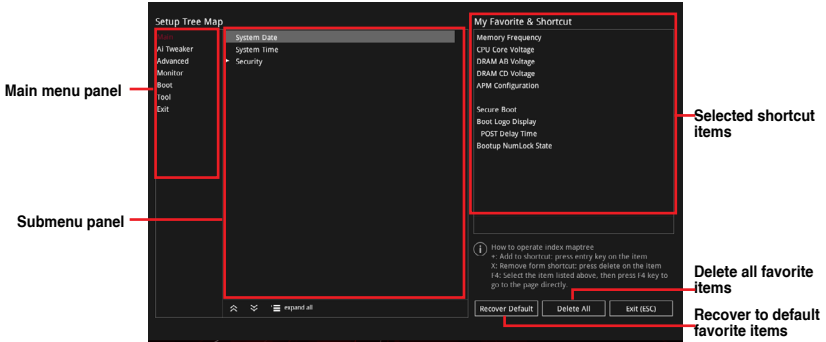


My Favorites comes with several performance, power saving, and fast boot related items by default. You can personalize this screen by adding or removing items.

## Adding items to My Favorites

To add BIOS items:

1. Press <F3> on your keyboard or click **MyFavorite(F3)** from the BIOS screen to open Setup Tree Map screen.
2. On the Setup Tree Map screen, select the BIOS items that you want to save in My Favorites screen.



3. Select an item from main menu panel, then click the submenu that you want to save as favorite from the submenu panel and click **+** or press <Enter> on your keyboard.



You cannot add the following items to My Favorite items:

- Items with submenu options
- User-managed items such as language and boot order
- Configuration items such as Memory SPD Information, system time and date.

4. Click **Exit (ESC)** or press <Esc> key to close Setup Tree Map screen.
5. Go to My Favorites menu to view the saved BIOS items.



## 3.4 Main menu

The Main menu screen appears when you enter the Advanced Mode of the BIOS Setup program. The Main menu provides you an overview of the basic system information, and allows you to set the system date, time, language, and security settings.

### Security

The Security menu items allow you to change the system security settings.



- If you have forgotten your BIOS password, erase the CMOS Real Time Clock (RTC) RAM to clear the BIOS password. See section **2.3.1 Rear I/O connection** for the location of the Clear CMOS button to clear RTC RAM.
- The Administrator or User Password items on top of the screen show the default **[Not Installed]**. After you set a password, these items show **[Installed]**.

## 3.5 Ai Tweaker menu

The Ai Tweaker menu items allow you to configure overclocking-related items.



Be cautious when changing the settings of the Ai Tweaker menu items. Incorrect field values can cause the system to malfunction



The configuration options for this section vary depending on the CPU and DIMM model you installed on the motherboard.

### Ai Overclock Tuner

Allows you to select the CPU overclocking options to achieve the desired CPU internal frequency.

- |            |  |
|------------|--|
| [Auto]     | Loads the optimal settings for the system.   |
| [Default]  | Loads the default settings for the system.   |
| [Manual]   | Allows you to individually set overclocking parameters.  |
| [D.O.C.P.] | Allows you to select a DRAM O.C. profile, and the related parameters will be adjusted automatically. |



The following item appears only when you set the **Ai Overclocking Tuner** to **[Manual]**.

#### BCLK Frequency

This item allows you to set the BCLK frequency to enhance the system performance. Use the <+> or <-> to adjust the value.



We recommend you to set the value based on the CPU specification, as high BCLK frequencies may damage the CPU permanently.

## CPU Core Ratio

This item allows you to set the CPU core ratios.

Configuration options: [Auto] [22.00] - [63.75]

## TPU

This item allows you to automatically overclock the CPU and DRAM frequencies and voltage for an enhanced system performance.

[Keep Current Settings] Keep the current settings without changing anything.

[TPU I] Applies air cooling overclocking conditions.

[TPU II] Applies water cooling overclocking conditions.



---

Ensure to use water cooling device before selecting **[TPU II]**.

---

## 3.6 Advanced menu

The Advanced menu items allow you to change the settings for the CPU and other system devices.



---

Be cautious when changing the settings of the Advanced menu items. Incorrect field values can cause the system to malfunction.

---

### 3.6.1 AMD fTPM configuration

The items in this menu show the AMD fTPM configuration options.

#### TPM Device Selection

This item allows you to select the TPM device.

[Firmware TPM] Enables AMD CPU fTPM.

[Discrete TPM] Disables AMD CPU fTPM.

### 3.6.2 CPU Configuration

The items in this menu show the CPU-related information that the BIOS automatically detects.



---

The items in this menu may vary based on the CPU installed.

---

#### PSS Support

This item allows you enable or disable the generation of ACPI\_PPC, \_PSS, and \_PCT objects.

Configuration options: [Disabled] [Enabled] [Auto]

## NX Mode

This item allows you enable or disable no-execute page protection function.  
Configuration options: [Disabled] [Enabled]

## SVM Mode

This item allows you enable or disable CPU Virtualization.  
Configuration options: [Disabled] [Enabled]

## SMT Mode

This item allows you enable or disable Simultaneous multithreading.  
Configuration options: [Auto] [Disabled]



---

S3 is not supported on systems where cores/threads have been removed/disabled.

---

## 3.6.3 PCI Subsystem Settings

Allows you to configure PCI, PCI-X, and PCI Express Settings.

### Above 4G Decoding

Allows you to enable or disable 64-bit capable devices to be decoded in above 4G address space. It only works if the system supports 64-bit PCI decoding.  
Configuration options: [On] [Off]

### SR-IOV Support

This option enables or disables Single Root IO Virtualization Support if the system has SRIOV capable PCIe devices.  
Configuration options: [On] [Off]

### BME DMA Mitigation

Allows you to re-enable Bus Master Attribute disabled during Pci enumeration for PCI Bridges after SMM Locked.  
Configuration options: [On] [Off]

### Hot-Plug Support

This option allows you to globally enable or disable Hot-Plug support for the entire system. If the system has Hot-Plug capable Slots and this option is set to enabled, it provides a Setup screen for selecting PCI resource padding for Hot-Plug.  
Configuration options: [On] [Off]



---

Changing PCI Device(s) settings may have unwanted side effects! System may HANG!  
Proceed with caution.

---

### 3.6.4 USB Configuration

The items in this menu allow you to change the USB-related features.



---

The **Mass Storage Devices** item shows the auto-detected values. If no USB device is detected, the item shows **None**.

---

#### Legacy USB Support

- [Enabled] Your system supports the USB devices in legacy operating systems.
- [Disabled] Your USB devices can be used for BIOS setup only and cannot be recognized in the boot devices list.
- [Auto] Your system automatically detects the presence of USB devices at startup. If any USB devices are detected, the legacy USB support is enabled.

#### XHCI Hand-off

- [Enabled] Enables the support for operating systems without an XHCI hand-off feature.
- [Disabled] Disables the XHCI Hand-off support.

#### USB Single Port Control

This item allows you to enable or disable the individual USB ports.



---

Refer to section **Motherboard layout** for the location of the USB ports.

---

### 3.6.5 HDD/SSD SMART Information

This menu displays the SMART information of the connected devices.



---

NVM Express devices do not support SMART information.

---

### 3.6.6 NVMe Configuration

You may view the NVMe controller and Drive information if an NVMe device is connected.

### 3.6.7 SATA Configuration

While entering Setup, the BIOS automatically detects the presence of SATA devices. The SATA Port items show **Not Present** if no SATA device is installed to the corresponding SATA port.

#### SATA Port Enable

This item allows you to enable or disable the SATA Device.  
Configuration options: [Disabled] [Enabled]



---

The following items appear only when **SATA Port Enable** is set to **[Enabled]**.

---

## SATA Mode

This item allows you to set the SATA configuration.

- [AHCI] Set to [AHCI] when you want the SATA hard disk drives to use the AHCI (Advanced Host Controller Interface). The AHCI allows the onboard storage driver to enable advanced Serial ATA features that increases storage performance on random workloads by allowing the drive to internally optimize the order of commands.
- [RAID] Set to [RAID] when you want to create a RAID configuration from the SATA hard disk drives.

## NVMe RAID Mode

This item allows you to enable or disable the NVMe RAID mode.

Configuration options: [Disabled] [Enabled]

## SMART Self Test

S.M.A.R.T. (Self-Monitoring, Analysis and Reporting Technology) is a monitoring system that shows a warning message during POST (Power-on Self Test) when an error occurs in the hard disks.

Configuration options: [On] [Off]

## SATA6G\_1(Gray) - SATA6G\_4(Gray)

### SATA6G\_1(Gray) - SATA6G\_4(Gray)

This item allows you to enable or disable the selected SATA port.

Configuration options: [Disabled] [Enabled]

### Hot Plug

These items appears only when the **SATA Mode** is set to **[AHCI]** and allows you to enable or disable SATA Hot Plug Support.

Configuration options: [Disabled] [Enabled]

## DIMM.2\_1

### DIMM.2\_1

This item allows you to rename the DIMM.2\_1 port.

## DIMM.2\_2

### DIMM.2\_2

This item allows you to rename the DIMM.2\_2 port.

## SATA6G\_E1(Black) - SATA6G\_E4(Black)

### SATA6G\_E1(Black) - SATA6G\_E4(Black)

These items allow you to rename the SATA6G\_E1(Black) - SATA6G\_E4(Black) ports.

## 3.6.8 Onboard Devices Configuration

The items in this menu allow you to switch between PCIe Lanes and configure onboard devices.

### USB Type C Power Switch

[Auto] The system will automatically detect your USB Type C devices and provide suitable power if needed.

[Enabled] The USB Type C port will always provide power to your devices.

### PCIEX16\_1 Bandwidth

[X16 Mode] The PCIe x16\_1 slot runs at x16 mode.

[PCIe RAID Mode] The four PCIe x16 slots run at x4+x4+x4+x4 mode, which allows you to create a RAID array for up to 4 PCIe devices.



---

Use PCIe RAID Mode when installing the Hyper M.2 x16 card or other M.2 adapter cards. Installing other devices when using PCIe RAID Mode may cause your PC to fail to boot up.

---

### PCIEX16\_2 Bandwidth

[X8 Mode] The PCIe x16\_2 slot runs at x8 mode.

[PCIe RAID Mode] The PCIe x16 slots run at x4+x4 mode, which allows you to create a RAID array for up to 2 PCIe devices.



---

Use PCIe RAID Mode when installing the Hyper M.2 x16 card or other M.2 adapter cards. Installing other devices when using PCIe RAID Mode may cause your PC to fail to boot up.

---

### PCIEX16\_3 Bandwidth

[X16 Mode] The PCIe x16\_3 slot runs at x16 mode.

[PCIe RAID Mode] The four PCIe x16 slots run at x4+x4+x4+x4 mode, which allows you to create a RAID array for up to 4 PCIe devices.



---

Use PCIe RAID Mode when installing the Hyper M.2 x16 card or other M.2 adapter cards. Installing other devices when using PCIe RAID Mode may cause your PC to fail to boot up.

---

## PCIEX16\_4 Bandwidth

- [X4 Mode]                    The PCIe x16\_4 slot runs at x4 mode with the M.2\_2(SOCKET3) port enabled.
- [X8 Mode]                    The PCIe x16\_4 slot runs at x8 mode with the M.2\_2(SOCKET3) port disabled.
- [PCIe RAID Mode]            The PCIe x16 slots run at x4+x4 mode, which allows you to create a RAID array for up to 2 PCIe devices. The M.2\_2(SOCKET3) port will be disabled.




---

Use PCIe RAID Mode when installing the Hyper M.2 x16 card or other M.2 adapter cards. Installing other devices when using PCIe RAID Mode may cause your PC to fail to boot up.

---

## M.2\_3 Bandwidth

- [X2 Mode]                    The M.2\_3 slot runs at x2 mode with ASM1061 SATA port enabled.
- [X4 Mode]                    The M.2\_3 slot runs at x2 mode with ASM1061 SATA port disabled.

## HD Audio Controller

This item allows you to use the Azalia High Definition Audio Controller.  
Configuration options: [Disabled] [Enabled]

### ASM1074 Controller (Back)

- [Disabled]                    Disables the controller.
- [Enabled]                    Enables the rear USB 3.2 controller.

### ASM1074 Controller (Front)

- [Disabled]                    Disables the controller.
- [Enabled]                    Enables the front USB 3.2 controller.

## RGB LED lighting

### When system is in working state

This item allows you to turn the RGB LED lighting on or off when the system is in the working state.

- [All On]:                    All LEDs (Aura or Functional) will be enabled.
- [Stealth Mode]:            All LEDs (Aura and Functional) will be disabled.
- [Aura Only]:                Aura LEDs will be enabled and functional LEDs will be disabled.
- [Aura Off]:                 Aura LEDs will be disabled, however functional LEDs will still be enabled.




---

The RGB header(s) and Addressable RGB header(s) will only work under S0(working) state.

---

### When system is in sleep, hibernate or soft off states

This item allows you to turn the RGB LED lighting on or off when the system is in the sleep, hibernate or soft off states.

- [All On]: All LEDs (Aura or Functional) will be enabled.
- [Stealth Mode]: All LEDs (Aura and Functional) will be disabled.
- [Aura Only]: Aura LEDs will be enabled and functional LEDs will be disabled.
- [Aura Off]: Aura LEDs will be disabled, however functional LEDs will still be enabled.



---

The RGB header(s) and Addressable RGB header(s) will only work under S0(working) state.

---

## 3.6.9 APM Configuration

The items in this menu allow you to set system wake and sleep settings.

### Restore On AC Power Loss

This item allows your system to go to ON state, OFF state, or both states after an AC power loss. When setting your system to **[Last State]**, it goes to the previous state before the AC power loss.

Configuration options: [Power On] [Power Off] [Last State]

### ErP Ready

This item allows you to switch off some power at S4+S5 or S5 to get the system ready for ErP requirement. When set to **[Enabled]**, all other PME options are switched off.

Configuration options: [Disabled] [Enable(S4+S5)] [Enable(S5)]

### Power On By PCI-E

This item allows you to enable or disable the Wake-on-LAN function of the onboard LAN controller or other installed PCI-E LAN cards.

Configuration options: [Disabled] [Enabled]

### Power On By RTC

This item allows you to enable or disable the RTC (Real-Time Clock) to generate a wake event and configure the RTC alarm date. When enabled, you can set the days, hours, minutes, or seconds to schedule an RTC alarm date.

Configuration options: [Disabled] [Enabled]

## 3.6.10 Network Stack Configuration

The items in this menu allow you to enable or disable the UEFI network stack

## 3.6.11 AMD CBS

The items in this menu shows the AMD Common BIOS Specifications.



### 3.6.12 AMD PBS

The items in this menu shows the AMD PBS Setup Page.

### 3.6.13 AMD Overclocking

The items in this menu shows the AMD Overclocking Setup Page.

## 3.7 Monitor menu

The Monitor menu displays the system temperature/power status, and allows you to change the fan settings.

Scroll down to display the other BIOS items.

### Q-fan Configuration

#### Qfan Tuning

Click this item to automatically detect the lowest speed and configure the minimum duty cycle for each fan.

#### W\_PUMP+ 1/2 Control

- |            |  |
|------------|--|
| [Disabled] | Disable the Water Pump control feature.  |
| [Auto]     | Detects the type of water pump installed and automatically switches the control modes. |
| [DC mode]  | Enable the Water Pump control in DC mode for 3-pin chassis fan.                        |
| [PWM mode] | Enable the Water Pump control in PWM mode for 4-pin chassis fan.                       |

## 3.8 Boot menu

The Boot menu items allow you to change the system boot options.

### Boot Configuration

#### Fast Boot

- |            |   |
|------------|---|
| [Disabled] | Allows your system to go back to its normal boot speed. |
| [Enabled]  | Allows your system to accelerate the boot speed.        |




---

The following item appears only when you set the **Fast Boot** to **[Enabled]**.

---

#### Next Boot after AC Power Loss

- |               |   |
|---------------|---|
| [Normal Boot] | Returns to normal boot on the next boot after an AC power loss.     |
| [Fast Boot]   | Accelerates the boot speed on the next boot after an AC power loss. |

#### Boot Logo Display

- |               |  |
|---------------|--|
| [Auto]        | Sets the boot logo to display during POST.             |
| [Full Screen] | Sets the boot logo display in full screen during POST. |
| [Disabled]    | Disables the boot logo display during POST.            |

### Setup Mode

- [Advanced Mode] This item allows you to go to Advanced Mode of the BIOS after POST.
- [EZ Mode] This item allows you to go to EZ Mode of the BIOS after POST.

### CSM (Compatibility Support Module)

This item allows you to configure the CSM (Compatibility Support Module) items to fully support the various VGA, bootable devices and add-on devices for better compatibility.

#### Launch CSM

- [Auto] The system automatically detects the bootable devices and the add-on devices.
- [Enabled] For better compatibility, enable the CSM to fully support the non-UEFI driver add-on devices or the Windows® UEFI mode.
- [Disabled] Disable the CSM to fully support the non-UEFI driver add-on devices or the Windows® UEFI mode.



---

The following items appear only when **Launch CSM** is set to **[Enabled]**.

---

#### **Boot Device Control**

This item allows you to select the type of devices that you want to boot.

Configuration options: [UEFI and Legacy OPROM] [Legacy OPROM only] [UEFI only]

#### **Boot from Network Devices**

This item allows you to select the type of network devices that you want to launch.

Configuration options: [Ignore] [Legacy only] [UEFI driver first]

#### **Boot from Storage Devices**

This item allows you to select the type of storage devices that you want to launch.

Configuration options: [Ignore] [Legacy only] [UEFI driver first]

#### **Boot from PCI-E/PCI Expansion Devices**

This item allows you to select the type of PCI-E/PCI expansion devices that you want to launch.

Configuration options: [Legacy only] [UEFI driver first]

### Secure Boot

This item allows you to configure the Windows® Secure Boot settings and manage its keys to protect the system from unauthorized access and malwares during POST.

### Boot Option Priorities

These items specify the boot device priority sequence from the available devices. The number of device items that appears on the screen depends on the number of devices installed in the system.



- To access Windows® OS in Safe Mode, press <F8> after POST (Windows® 8 not supported).
  - To select the boot device during system startup, press <F8> when the ASUS Logo appears.
-

## Boot Override

These items displays the available devices. The number of device items that appears on the screen depends on the number of devices installed in the system. Click an item to start booting from the selected device.

## AMI Native NVMe Driver Support

This item allows you to enable or disable all NVMe device native OpROM.  
Configuration options: [On] [Off]

## 3.9 Tool menu

The Tool menu items allow you to configure options for special functions. Select an item then press <Enter> to display the submenu.

### Flexkey

This item allows you to assign a different function to the Reset button (Flexkey).

- [Reset] Reboots the system.
- [Aura On/Off] Enable or Disable Aura LEDs. This setting does not sync with the BIOS/software option.
- [DirectKey] Boot directly into the BIOS.
- [Safe Boot] Force the system to reboot into the BIOS safe mode.

### 3.9.1 ASUS EZ Flash 3 Utility

This item allows you to run ASUS EZ Flash 3. When you press <Enter>, a confirmation message appears. Use the left/right arrow key to select between [Yes] or [No], then press <Enter> to confirm your choice.



---

For more details, refer to section **3.12.2 ASUS EZ Flash 3**.

---

## 3.9.2 Secure Erase

SSD speeds may lower over time as with any storage medium due to data processing. Secure Erase completely and safely cleans your SSD, restoring it to factory performance levels.



Secure Erase is only available in AHCI mode. Ensure to set the SATA mode to AHCI. Click **Advanced > SATA Configuration > SATA Mode > AHCI**.

To launch Secure Erase, click **Tool > Secure Erase** on the Advanced mode menu.



Secure Erase is only supported on selected SATA SSDs, and cannot erase NVMe storage devices.



- The time to erase the contents of your SSD may take a while depending on its size. Do not turn off the system during the process.
- Secure Erase is only supported on AMD SATA port. For more information about AMD SATA ports, refer to section **1.1.2 Motherboard layout** of this manual.

Displays the available SSDs

Port #	SSD Name	Status	Total Capacity
PZ	ADATA 5096 Turbo	Frozen	14.06GB

SSD based performance may degrade over time due to accumulated files and frequent data-writing. Secure Erase completely cleans your SSD and restores it to its factory settings.  
Warning: Ensure that you run Secure Erase on a compatible SSD. Running Secure Erase on an incompatible SSD will render the SSD totally unusable.  
NOTE: For the list of Secure Erase-compatible SSDs, visit the ASUS Support site at [www.asus.com/support](http://www.asus.com/support)



### Status definition:

- **Frozen.** The frozen state is the result of a BIOS protective measure. The BIOS guards drives that do not have password protection by freezing them prior to booting. If the drive is frozen, a power off or hard reset of your PC must be performed to proceed with the Secure Erase.
- **Locked.** SSDs might be locked if the Secure Erase process is either incomplete or was stopped. This may be due to a third party software that uses a different password defined by ASUS. You have to unlock the SSD in the software before proceeding with Secure Erase.

### 3.9.3 ASUS User Profile

This item allows you to store or load multiple BIOS settings.

#### Load from Profile

This item allows you to load the previous BIOS settings saved in the BIOS Flash. Key in the profile number that saved your BIOS settings, press <Enter>, and then select **Yes**.



- DO NOT shut down or reset the system while updating the BIOS to prevent the system boot failure!
- We recommend that you update the BIOS file only coming from the same memory/CPU configuration and BIOS version.

#### Profile Name

This item allows you to key in a profile name.

#### Save to Profile

This item allows you to save the current BIOS settings to the BIOS Flash, and create a profile. Key in a profile number from one to eight, press <Enter>, and then select **Yes**.

#### Load/Save Profile from/to USB Drive

This item allows you to load or save profile from your USB drive, load and save profile to your USB drive.

### 3.9.4 BIOS Flashback

This item allows you to manage BIOS settings between BIOS chips.

### 3.9.5 ASUS SPD Information

This item allows you to view the DRAM SPD information.

### 3.9.6 Graphics Card Information

This item displays the information about the graphics card installed in your system.



The items in this menu may vary depending on the graphics card installed in your system.

#### GPU Post

This item displays the information and recommended configuration for the PCIe slots that the graphics card is installed in your system.



This feature is only supported on selected ASUS graphics cards.

#### Bus Interface

This item allows you to select the bus interface.

Configuration options: [PCIEX16\_1] [PCIEX16\_2] [PCIEX16\_3]

### 3.9.7 ASUS Armoury Crate

This item allows you to enable or disable the ASUS Armoury Crate. The ASUS Armoury Crate is a fixed Advanced Configuration and Power Interface (ACPI) table that provides Windows with a platform binary that the operating system can execute.

## 3.10 Exit menu

The Exit menu items allow you to load the optimal default values for the BIOS items, and save or discard your changes to the BIOS items.

### Load Optimized Defaults

This option allows you to load the default values for each of the parameters on the Setup menu. When you select this option or if you press <F5>, a confirmation window appears. Select **OK** to load the default values.

### Save Changes & Reset

Once you are finished making your selections, choose this option from the Exit menu to ensure the values you selected are saved. When you select this option or if you press <F10>, a confirmation window appears. Select **OK** to save changes and exit.

### Discard Changes & Exit

This option allows you to exit the Setup program without saving your changes. When you select this option or if you press <Esc>, a confirmation window appears. Select **Yes** to discard changes and exit.

### Launch EFI Shell from USB drives

This item allows you to attempt to launch the EFI Shell application (shellx64.efi) from one of the available filesystem devices.

## 3.11 Updating BIOS

The ASUS website publishes the latest BIOS versions to provide enhancements on system stability, compatibility, and performance. However, BIOS updating is potentially risky. If there is no problem using the current version of BIOS, DO NOT manually update the BIOS. Inappropriate BIOS updating may result to system's failure to boot. Carefully follow the instructions in this chapter to update your BIOS when necessary.



---

Visit <http://www.asus.com> to download the latest BIOS file for this motherboard.

---

The following utilities allow you to manage and update the motherboard BIOS setup program.

1. EZ Update: Updates the BIOS in Windows® environment.
2. ASUS EZ Flash 3: Updates the BIOS using a USB flash drive.
3. ASUS CrashFree BIOS 3: Restores the BIOS using the motherboard support USB drive when the BIOS file fails or gets corrupted.

### 3.11.1 EZ Update

The EZ Update is a utility that allows you to update the motherboard BIOS in Windows® environment.



- 
- EZ Update requires an Internet connection either through a network or an ISP (Internet Service Provider).
  - This utility is available in the support USB drive that comes with the motherboard package.
-

### 3.11.2 ASUS EZ Flash 3

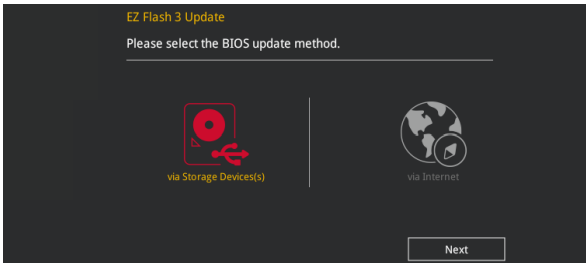
ASUS EZ Flash 3 allows you to download and update to the latest BIOS through the Internet without having to use a bootable floppy disk or an OS-based utility.



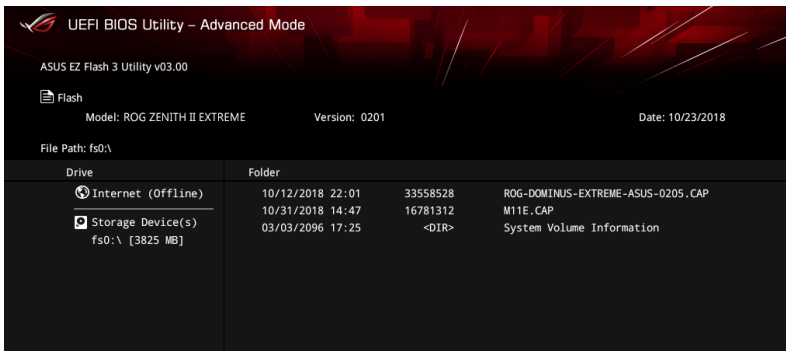
Updating through the Internet varies per region and Internet conditions. Check your local Internet connection before updating through the Internet.

#### To update the BIOS by USB:

1. Insert the USB flash disk that contains the latest BIOS file to the USB port.
2. Enter the Advanced Mode of the BIOS setup program. Go to the Tool menu to select **ASUS EZ Flash 3 Utility** and press <Enter>.
3. Select **via Storage Device(s)**.



4. Press <Tab> to switch to the Drive field.
5. Press the Up/Down arrow keys to find the USB flash disk that contains the latest BIOS, and then press <Enter>.
6. Press <Tab> to switch to the Folder Info field.
7. Press the Up/Down arrow keys to find the BIOS file, and then press <Enter> to perform the BIOS update process. Reboot the system when the update process is done.







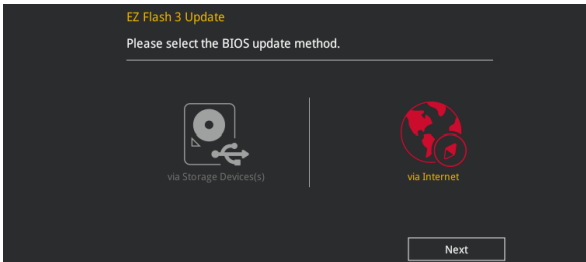
- This function can support devices such as a USB flash disk with FAT 32/16 format and single partition only.
- DO NOT shut down or reset the system while updating the BIOS to prevent system boot failure!



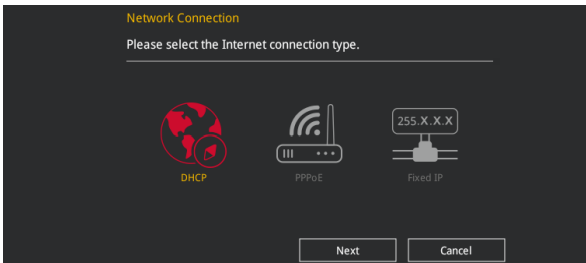
Ensure to load the BIOS default settings to ensure system compatibility and stability. Select the Load Optimized Defaults item under the Exit menu. See section **3.10 Exit Menu** for details.

### To update the BIOS by Internet:

1. Enter the Advanced Mode of the BIOS setup program. Go to the Tool menu to select **ASUS EZ Flash 3 Utility** and press <Enter>.
2. Select **via Internet**.



3. Press the Left/Right arrow keys to select an Internet connection method, and then press <Enter>.



4. Follow the onscreen instructions to complete the update.
5. Reboot the system when the update process is done.



Ensure to load the BIOS default settings to ensure system compatibility and stability. Select the Load Optimized Defaults item under the Exit menu. See section **Exit Menu** for details.

### 3.11.3 ASUS CrashFree BIOS 3

The ASUS CrashFree BIOS 3 utility is an auto recovery tool that allows you to restore the BIOS file when it fails or gets corrupted during the updating process. You can restore a corrupted BIOS file using the motherboard support USB drive that contains the BIOS file.



---

The BIOS file in the motherboard support USB drive may be older than the BIOS file published on the ASUS official website. If you want to use the newer BIOS file, download the file at <https://www.asus.com/support/> and save it to a USB flash drive.

---

#### Recovering the BIOS

##### To recover the BIOS:

1. Turn on the system.
2. Insert the motherboard support USB drive, or the USB flash drive containing the BIOS file to the USB port.
3. The utility automatically checks the devices for the BIOS file. When found, the utility reads the BIOS file and enters ASUS EZ Flash 3 automatically.
4. The system requires you to enter BIOS Setup to recover the BIOS setting. To ensure system compatibility and stability, we recommend that you press <F5> to load default BIOS values.



---

DO NOT shut down or reset the system while updating the BIOS! Doing so can cause system boot failure!

---

# RAID Support

# 4

## 4.1 AMD RAID Array configurations

The motherboard comes with the RaidXpert2 Configuration Utility that supports Volume, RAIDABLE, RAID 0, RAID 1, and RAID 10 (depends on system licensing) configurations.



---

For more information on configuring your RAID sets, please refer to the **RAID Configuration Guide** which you can find at <https://www.asus.com/support>.

---

### 4.1.1 RAID definitions

**Volume** provides the ability to link-together storage from one or several disks, regardless of the size of the space on those disks. This configuration is useful in scavenging space on disks unused by other disks in the array. This configuration does not provide performance benefits or data redundancy, disk failure will result in data loss.

**RAIDABLE** arrays (also known as RAID Ready) are a special type of Volume (JBOD) that allows the user to add more storage space or create a redundant array after a system is installed. RAIDABLE arrays are created using Option ROM, UEFI, or roadm.



---

The ability to create RAIDABLE arrays may vary per system.

---

**RAID 0 (Data striping)** optimizes two identical hard disk drives to read and write data in parallel, interleaved stacks. Two hard disks perform the same work as a single drive but at a sustained data transfer rate, double that of a single disk alone, thus improving data access and storage. Use of two new identical hard disk drives is required for this setup.

**RAID 1 (Data mirroring)** copies and maintains an identical image of data from one drive to a second drive. If one drive fails, the disk array management software directs all applications to the surviving drive as it contains a complete copy of the data in the other drive. This RAID configuration provides data protection and increases fault tolerance to the entire system. Use two new drives or use an existing drive and a new drive for this setup. The new drive must be of the same size or larger than the existing drive.

**RAID 10** is data striping and data mirroring combined without parity (redundancy data) having to be calculated and written. With the RAID 10 configuration you get all the benefits of both RAID 0 and RAID 1 configurations. Use four new hard disk drives or use an existing drive and three new drives for this setup.



# Appendix

## Q-Code table

Code	Description
00	Not used
01	Power on. Reset type detection (soft/hard).
02	AP initialization before microcode loading
03	System Agent initialization before microcode loading
04	PCH initialization before microcode loading
06	Microcode loading
07	AP initialization after microcode loading
08	System Agent initialization after microcode loading
09	PCH initialization after microcode loading
0B	Cache initialization
0C – 0D	Reserved for future AMI SEC error codes
0E	Microcode not found
0F	Microcode not loaded
10	PEI Core is started
11 – 14	Pre-memory CPU initialization is started
15 – 18	Pre-memory System Agent initialization is started
19 – 1C	Pre-memory PCH initialization is started
2B – 2F	Memory initialization
30	Reserved for ASL (see ASL Status Codes section below)
31	Memory Installed
32 – 36	CPU post-memory initialization
37 – 3A	Post-Memory System Agent initialization is started
3B – 3E	Post-Memory PCH initialization is started
4F	DXE IPL is started
50 – 53	Memory initialization error. Invalid memory type or incompatible memory speed
54	Unspecified memory initialization error
55	Memory not installed
56	Invalid CPU type or Speed
57	CPU mismatch
58	CPU self test failed or possible CPU cache error
59	CPU micro-code is not found or micro-code update is failed
5A	Internal CPU error
5B	Reset PPI is not available
5C – 5F	Reserved for future AMI error codes

*(continued on the next page)*

## Q-Code table

Code	Description
E0	S3 Resume is started (S3 Resume PPI is called by the DXE IPL)
E1	S3 Boot Script execution
E2	Video repost
E3	OS S3 wake vector call
E4 – E7	Reserved for future AMI progress codes
E8	S3 Resume Failed
E9	S3 Resume PPI not Found
EA	S3 Resume Boot Script Error
EB	S3 OS Wake Error
EC – EF	Reserved for future AMI error codes
F0	Recovery condition triggered by firmware (Auto recovery)
F1	Recovery condition triggered by user (Forced recovery)
F2	Recovery process started
F3	Recovery firmware image is found
F4	Recovery firmware image is loaded
F5 – F7	Reserved for future AMI progress codes
F8	Recovery PPI is not available
F9	Recovery capsule is not found
FA	Invalid recovery capsule
FB – FF	Reserved for future AMI error codes
60	DXE Core is started
61	NVRAM initialization
62	Installation of the PCH Runtime Services
63 – 67	CPU DXE initialization is started
68	PCI host bridge initialization
69	System Agent DXE initialization is started
6A	System Agent DXE SMM initialization is started
6B – 6F	System Agent DXE initialization (System Agent module specific)
70	PCH DXE initialization is started
71	PCH DXE SMM initialization is started
72	PCH devices initialization
73 – 77	PCH DXE Initialization (PCH module specific)
78	ACPI module initialization
79	CSM initialization
7A – 7F	Reserved for future AMI DXE codes

*(continued on the next page)*

## Q-Code table

Code	Description
90	Boot Device Selection (BDS) phase is started
91	Driver connecting is started
92	PCI Bus initialization is started
93	PCI Bus Hot Plug Controller Initialization
94	PCI Bus Enumeration
95	PCI Bus Request Resources
96	PCI Bus Assign Resources
97	Console Output devices connect
98	Console input devices connect
99	Super IO Initialization
9A	USB initialization is started
9B	USB Reset
9C	USB Detect
9D	USB Enable
9E – 9F	Reserved for future AMI codes
A0	IDE initialization is started
A1	IDE Reset
A2	IDE Detect
A3	IDE Enable
A4	SCSI initialization is started
A5	SCSI Reset
A6	SCSI Detect
A7	SCSI Enable
A8	Setup Verifying Password
A9	Start of Setup
AA	Reserved for ASL (see ASL Status Codes section below)
AB	Setup Input Wait
AC	Reserved for ASL (see ASL Status Codes section below)
AD	Ready To Boot event
AE	Legacy Boot event
AF	Exit Boot Services event
B0	Runtime Set Virtual Address MAP Begin
B1	Runtime Set Virtual Address MAP End
B2	Legacy Option ROM Initialization
B3	System Reset

*(continued on the next page)*

## Q-Code table

Code	Description
B4	USB hot plug
B5	PCI bus hot plug
B6	Clean-up of NVRAM
B7	Configuration Reset (reset of NVRAM settings)
B8– BF	Reserved for future AMI codes
D0	CPU initialization error
D1	System Agent initialization error
D2	PCH initialization error
D3	Some of the Architectural Protocols are not available
D4	PCI resource allocation error. Out of Resources
D5	No Space for Legacy Option ROM
D6	No Console Output Devices are found
D7	No Console Input Devices are found
D8	Invalid password
D9	Error loading Boot Option (LoadImage returned error)
DA	Boot Option is failed (StartImage returned error)
DB	Flash update is failed
DC	Reset protocol is not available

### ACPI/ASL Checkpoints (under OS)

Code	Description
0x01	System is entering S1 sleep state
0x02	System is entering S2 sleep state
0x03	System is entering S3 sleep state
0x04	System is entering S4 sleep state
0x05	System is entering S5 sleep state
0x10	System is waking up from the S1 sleep state
0x20	System is waking up from the S2 sleep state
0x30	System is waking up from the S3 sleep state
0x40	System is waking up from the S4 sleep state
0xAC	System has transitioned into ACPI mode. Interrupt controller is in PIC mode.
0xAA	System has transitioned into ACPI mode. Interrupt controller is in APIC mode.



## Notices

### FCC Compliance Information

Responsible Party: Asus Computer International

Address: 48720 Kato Rd., Fremont, CA 94538, USA

Phone / Fax No: (510)739-3777 / (510)608-4555

#### Identification of the assembled product: INTEL® WI-FI 6 AX200

Identification of the modular components used in the assembly:

Model Name: INTEL® WI-FI 6 AX200 FCC ID: PD9AX200NG

This device complies with part 15 of the FCC Rules. Operation is subject to the following two conditions: (1) This device may not cause harmful interference, and (2) this device must accept any interference received, including interference that may cause undesired operation.

This equipment has been tested and found to comply with the limits for a Class B digital device, pursuant to part 15 of the FCC Rules. These limits are designed to provide reasonable protection against harmful interference in a residential installation. This equipment generates, uses and can radiate radio frequency energy and, if not installed and used in accordance with the instructions, may cause harmful interference to radio communications. However, there is no guarantee that interference will not occur in a particular installation. If this equipment does cause harmful interference to radio or television reception, which can be determined by turning the equipment off and on, the user is encouraged to try to correct the interference by one or more of the following measures:

- Reorient or relocate the receiving antenna.
- Increase the separation between the equipment and receiver.
- Connect the equipment into an outlet on a circuit different from that to which the receiver is connected.
- Consult the dealer or an experienced radio/TV technician for help.

#### RF exposure warning

This equipment must be installed and operated in accordance with provided instructions and the antenna(s) used for this transmitter must be installed to provide a separation distance of at least 20 cm from all persons and must not be co-located or operating in conjunction with any other antenna or transmitter. End-users and installers must be provided with antenna installation instructions and transmitter operating conditions for satisfying RF exposure compliance.

## Compliance Statement of Innovation, Science and Economic Development Canada (ISED)

This device complies with Innovation, Science and Economic Development Canada licence exempt RSS standard(s). Operation is subject to the following two conditions: (1) this device may not cause interference, and (2) this device must accept any interference, including interference that may cause undesired operation of the device.

Operation in the band 5150–5250 MHz is only for indoor use to reduce the potential for harmful interference to co-channel mobile satellite systems.

CAN ICES-3(B)/NMB-3(B)

## Déclaration de conformité de Innovation, Sciences et Développement économique Canada (ISED)

Le présent appareil est conforme aux CNR d'Innovation, Sciences et Développement économique Canada applicables aux appareils radio exempts de licence. L'exploitation est autorisée aux deux conditions suivantes : (1) l'appareil ne doit pas produire de brouillage, et (2) l'utilisateur de l'appareil doit accepter tout brouillage radioélectrique subi, même si le brouillage est susceptible d'en compromettre le fonctionnement.

La bande 5150–5250 MHz est réservée uniquement pour une utilisation à l'intérieur afin de réduire les risques de brouillage préjudiciable aux systèmes de satellites mobiles utilisant les mêmes canaux.

CAN ICES-3(B)/NMB-3(B)

## VCCI: Japan Compliance Statement

### Class B ITE

この装置は、クラスB 情報技術装置です。この装置は、家庭環境で使用することを目的としていますが、この装置がラジオやテレビジョン受信機に近接して使用されると、受信障害を引き起こすことがあります。

取扱説明書に従って正しい取り扱いをして下さい。

VCCI-B

## KC: Korea Warning Statement

B급 기기 (가정용 방송통신기자재)

이 기기는 가정용(B급) 전자파적합기기로서 주로 가정에서 사용하는 것을 목적으로 하며, 모든 지역에서 사용할 수 있습니다.

\*당해 무선설비는 전파혼신 가능성이 있으므로 인명안전과 관련된 서비스는 할 수 없습니다.

## REACH

Complying with the REACH (Registration, Evaluation, Authorisation, and Restriction of Chemicals) regulatory framework, we published the chemical substances in our products at ASUS REACH website at <http://csr.asus.com/english/REACH.htm>.



DO NOT throw the motherboard in municipal waste. This product has been designed to enable proper reuse of parts and recycling. This symbol of the crossed out wheeled bin indicates that the product (electrical and electronic equipment) should not be placed in municipal waste. Check local regulations for disposal of electronic products.



DO NOT throw the mercury-containing button cell battery in municipal waste. This symbol of the crossed out wheeled bin indicates that the battery should not be placed in municipal waste.

## ASUS Recycling/Takeback Services

ASUS recycling and takeback programs come from our commitment to the highest standards for protecting our environment. We believe in providing solutions for you to be able to responsibly recycle our products, batteries, other components as well as the packaging materials. Please go to <http://csr.asus.com/english/Takeback.htm> for detailed recycling information in different regions.

## Regional notice for California



### WARNING

Cancer and Reproductive Harm -  
[www.P65Warnings.ca.gov](http://www.P65Warnings.ca.gov)

## Google™ License Terms

Copyright© 2019 Google Inc. All Rights Reserved.

License under the Apache License, Version 2.0 (the "License"); you may not use this file except in compliance with the License. You may obtain a copy of the License at:

<http://www.apache.org/licenses/LICENSE-2.0>

Unless required by applicable law or agreed to in writing, software distributed under the License is distributed on an "AS IS" BASIS, WITHOUT WARRANTIES OR CONDITIONS OF ANY KIND, either express or implied.

See the License for the specific language governing permissions and limitations under the License.

## NCC: Taiwan Wireless Statement

經型式認證合格之低功率射頻電機，非經許可，公司、商號或使用者均不得擅自變更頻率、加大功率或變更原設計之特性及功能。低功率射頻電機之使用不得影響飛航安全及干擾合法通信；經發現有干擾現象時，應立即停用，並改善至無干擾時方得繼續使用。前項合法通信，指依電信法規定作業之無線電通信。低功率射頻電機須忍受合法通信或工業、科學及醫療用電波輻射性電機設備之干擾。

應避免影響附近雷達系統之操作。

## Japan RF Equipment Statement

### 屋外での使用について

本製品は、5GHz帯域での通信に対応しています。電波法の定めにより5.2GHz、5.3GHz帯域の電波は屋外で使用が禁じられています。

### 法律および規制遵守

本製品は電波法及びこれに基づく命令の定めるところに従い使用してください。日本国外では、その国の法律または規制により、本製品の使用ができないことがあります。このような国では、本製品を運用した結果、罰せられることがあります。当社は一切責任を負いかねますのでご了承ください。

## Précautions d'emploi de l'appareil :

- a. Soyez particulièrement vigilant quant à votre sécurité lors de l'utilisation de cet appareil dans certains lieux (les avions, les aéroports, les hôpitaux, les stations-service et les garages professionnels).
- b. Évitez d'utiliser cet appareil à proximité de dispositifs médicaux implantés. Si vous portez un implant électronique (stimulateurs cardiaques, pompes à insuline, neurostimulateurs...), veuillez impérativement respecter une distance minimale de 15 centimètres entre cet appareil et l'implant pour réduire les risques d'interférence.
- c. Utilisez cet appareil dans de bonnes conditions de réception pour minimiser le niveau de rayonnement. Ce n'est pas toujours le cas dans certaines zones ou situations, notamment dans les parkings souterrains, dans les ascenseurs, en train ou en voiture ou tout simplement dans un secteur mal couvert par le réseau.
- d. Tenez cet appareil à distance du ventre des femmes enceintes et du bas-ventre des adolescents.

**Simplified EU Declaration of Conformity**

ASUSTek Computer Inc. hereby declares that this device is in compliance with the essential requirements and other relevant provisions of Directive 2014/53/EU. Full text of EU declaration of conformity is available at <https://www.asus.com/support/>

The WiFi operating in the band 5150-5350MHz shall be restricted to indoor use for countries listed in the table below:

**Déclaration simplifiée de conformité de l'UE**

ASUSTek Computer Inc. déclare par la présente que cet appareil est conforme aux critères essentiels et autres clauses pertinentes de la directive 2014/53/UE. La déclaration de conformité de l'UE peut être téléchargée à partir du site internet suivant : <https://www.asus.com/support/>

Dans la plage de fréquence 5150-5350 MHz, le Wi-Fi est restreint à une utilisation en intérieur dans les pays listés dans le tableau ci-dessous:

**Vereinfachte EU-Konformitätserklärung**

ASUSTek COMPUTER INC erklärt hiermit, dass dieses Gerät mit den grundlegenden Anforderungen und anderen relevanten Bestimmungen der Richtlinie 2014/53/EU übereinstimmt. Der gesamte Text der EU-Konformitätserklärung ist verfügbar unter: <https://www.asus.com/support/>  
Der WLAN-Betrieb im Band von 5150-5350 MHz ist für die in der untenen Tabelle aufgeführten Länder auf den Innenbereich beschränkt:

**Dichiarazione di conformità UE semplificata**

ASUSTek Computer Inc. con la presente dichiara che questo dispositivo è conforme ai requisiti essenziali e alle altre disposizioni pertinenti con la direttiva 2014/53/UE. Il testo completo della dichiarazione di conformità UE è disponibile all'indirizzo: <https://www.asus.com/support/>

L'utilizzo della rete Wi-Fi con frequenza compresa nell'intervallo 5150-5350MHz deve essere limitato all'interno degli edifici per i paesi presenti nella seguente tabella:

**Упрощенное заявление о соответствии европейской директиве**

ASUSTek Computer Inc. заявляет, что устройство соответствует основным требованиям и другим соответствующим условиям директивы 2014/53/UE. Полный текст декларации соответствия ЕС доступен на <https://www.asus.com/support/>

Работа WiFi в диапазоне частот 5150-5350 должна быть ограничена использованием в помещениях для стран, перечисленных в таблице ниже:

**إعلان التوافق المبسط الصادر عن الاتحاد الأوروبي**

تقر شركة ASUSTek Computer Inc هذا الجهاز بتوافق مع المتطلبات الأساسية والأحكام الأخرى ذات الصلة الخاصة بتوجيه 2014/53/UE. يتوفر النص الكامل لإعلان التوافق الصادر عن الاتحاد الأوروبي على: <https://www.asus.com/support/>

يجب حصر استخدام WiFi المعاملة بـ 5150-5350 ميجا هرتز على الاستخدام المنزلي للبلدان المدرجة بالجدول.

**Opročena deklaracija za съответствие на ЕС**

С настоящото ASUSTek Computer Inc. декларира, че това устройство е в съответствие със съществените изисквания и другите приложими постановления на свързаната Директива 2014/53/ЕС. Пълният текст на ЕС декларация за съвместимост е достъпен на адрес <https://www.asus.com/support/>

WiFi, работеща в диапазон 5150-5350MHz, трябва да се ограничи до употреба на закрито за страните, посочени в таблицата по-долу:

**Declaração de Conformidade UE Simplificada**

ASUSTek Computer Inc. declara que este dispositivo está em conformidade com os requisitos essenciais e outras disposições relevantes relacionadas às diretivas 2014/53/UE. O texto completo da declaração de conformidade CE está disponível em <https://www.asus.com/support/>

O WiFi operando na banda 5150-5350MHz deve ser restrito para uso interno para os países listados na tabela abaixo:

**Поједностављена ЕУ изјава о сукладности**

ASUSTek Computer Inc. овим изјављује да је овај уређај сукладан с битним захтевима и осталим одговарајућим одредбама директиве 2014/53/ЕУ. Цјели текст ЕУ изјаве о сукладности доступан је на <https://www.asus.com/support/>

WiFi koji radi na opsegu frekvencija 5150-5350 MHz bit će ograničen na upotrebu u zatvorenom prostoru u zemljama na donjem popisu:

**Zjednodušené prohlášení o shodě EU**

Společnost ASUSTek Computer Inc. tímto prohlašuje, že toto zařízení splňuje základní požadavky a další příslušná ustanovení směrnice 2014/53/UE. Plné znění prohlášení o shodě EU je k dispozici na adrese <https://www.asus.com/support/>

V zemi uvedených v tabulce je provoz síť Wi-Fi ve frekvenčním rozsahu 5150 - 5350 MHz povolen pouze ve vnitřních prostorech:

**Forenklet EU-øverenstemmelseserklæring**

ASUSTek Computer Inc. erklærer hermed at denne enhed er i øverenstemmelse med hovedkravene og øvrige relevante bestemmelser i direktivet 2014/53/UE. Hele EU-øverenstemmelseserklæringen kan findes på <https://www.asus.com/support/>

Wi-Fi, der bruger 5150-5350 MHz skal begrænses til indendørs brug i lande, der er anført i tabellen:

**Vereenvoudigd EU-conformiteitsverklaring**

ASUSTek Computer Inc. verklaart hierbij dat dit apparaat voldoet aan de essentiële vereisten en andere relevante bepalingen van Richtlijn 2014/53/UE. De volledige tekst van de EU-conformiteitsverklaring is beschikbaar op <https://www.asus.com/support/>

De WiFi op 5150-5350MHz zal beperkt zijn tot binnengebruik voor in de tabel vermelde landen:

**Lihtsustatud EU vastavusdeklaratsioon**

Käesolevaga kinnitab ASUSTek Computer Inc. et seade vastab direktiivi 2014/53/UE olulistele nõuetele ja teistele asjakohastele sätetele. EL vastavusdeklaratsiooni täistekst on saadaval veebisaidil <https://www.asus.com/support/>

Sagedusvahemikus 5150-5350 MHz töötava WiFi kasutamine on järgmistes riikides lubatud ainult siseruumides:

**Eurooppa - EYn vaatimustenmukaisuusvakuutus**

ASUSTek Computer Inc. ilmoittaa täten, että tämä laite on direktiivin 2014/53/UE olennaisista vaatimusten ja muiden asiaankuuluvien lisäysten mukainen. Koko EYn vaatimustenmukaisuusvakuutuksen teksti on luettavissa osoitteessa <https://www.asus.com/support/>

5 150 - 5 350 MHz:in taajuudella toimiva WiFi on rajoitettu sisäkäyttöön taulukossa luetteluissa maissa:

**تعبیر از نسخه ساده بیانیه انطباق اروپا**

ASUSTek Computer Inc در اینجا اعلام می کند که این دستگاه با نیازهای اساسی و سایر مقررات مربوط به بیانیه 2014/53/UE مطابقت دارد. متن کامل پیروی از این بیانیه انطباقی اروپا در این آدرس موجود است: <https://www.asus.com/support/>

5150-5350 مگاهرتز برای WiFi باید بر اساس استفاده در فضای داخلی ساختمان برای کشورهای فهرست شده در جدول، محدود شود.

**Απλοποιημένη Δήλωση Συμμόρφωσης ΕΕ**

Διά του παρόντος η ASUSTek Computer Inc. δηλώνει ότι αυτή η συσκευή είναι συμμόρφωτη με τις βασικές προϋποθέσεις και άλλες σχετικές διατάξεις της Οδηγίας 2014/53/ΕΕ. Το πλήρες κείμενο της δήλωσης συμμόρφωσης της ΕΕ είναι διαθέσιμο στη διεύθυνση <https://www.asus.com/support/>

To WiFi που λειτουργεί στη ζώνη 5150-5350MHz περιορίζεται για χρήση σε εσωτερικούς χώρους για τις χώρες που αναφέρονται στον παρακάτω πίνακα:

**הגדרת התאמת הרגולטורית מקוצרת עבור האיחוד האירופי**

ASUSTek Computer Inc. מהירה בזאת כי מכשיר זה תואם לדרישות החיוניות ולשיט המסוימים הרלוונטיים של תקנה 2014/53/UE. ניתן לקרוא את תוכנם המלא של ההגדרות התאמת הרגולטורית עבור האיחוד האירופי בכתובת: <https://www.asus.com/support/>

יש להגביל רשתות Wi-Fi הפועלות ברצועות התדרים 5150-5350MHz לשימוש בתוך מבנים גורמים בארצות המפורסות ברשימה הבאה:

**Egyezsírített EU megfeleléségi nyilatkozat**

Az ASUSTek Computer Inc. ezennel kijelenti, hogy ez az eszköz megfelel az 2014/53/UE sz. irányelv alapvető követelményeinek és egyéb vonatkozó rendelkezésének. Az EU megfeleléségi nyilatkozat teljes szövegét a következő weboldalon tekintheti meg: <https://www.asus.com/support/>

Az 5150-5350 MHz-es sávban működő Wi-Fi-t beléteri használatra kell korlátozni az alábbi táblázatban felsorolt országokban:

**Pernyataan Kesesuaian EU yang Disederhanakan**

ASUSTek Computer Inc. dengan ini menyatakan bahwa perangkat ini memenuhi persyaratan utama dan ketentuan relevan lainnya yang terdapat pada Peraturan 2014/53/UE. Teks lengkap pernyataan kesesuaian EU tersedia di: <https://www.asus.com/support/>

WiFi yang Beroperasi pada 5150-5350 MHz akan terbatas untuk penggunaan dalam ruangan di negara yang tercantum dalam tabel

**Vienkārota ES atbilstības paziņojums**

ASUSTek Computer Inc. ar šo paziņo, ka šī ierīce atbilst Direktīvas 2014/53/ES būtiskajām prasībām un citiem citiem saistošajiem nosacījumiem. Pilns ES atbilstības paziņojuma teksts pieejams šeit: <https://www.asus.com/support/>

Wi-Fi darbība 5150-5350 MHz ir jāierobežo lietošanai telpās valstīs, kuras norādītas tālāk.

### Supraprastina ES atitikties deklaracija

Šiame dokumente bendroviė „ASUSTek Computer Inc.“ pareiškia, kad šis prietaisas atitinka pagrindinius reikalavimus ir kitas susijusias Direktyvos 2014/53/ES nuostatas. Visas ES atitikties deklaracijos tekstas pateikiamas čia: <https://www.asus.com/support/>

Toliau nurodytose šalyse „WiFi“ ryšiu, veikiančiu 5 150-5 350 MHz dažniu juostoje, galima naudotis tik patalpose:

Ovaj uredaj može da se koristi u državama navedenim ispod:

### Forenklet EU-samsvarserklaring

ASUSTek Computer Inc. erklærer herved at denne enheten er i samsvar med hovedsaklige krav og andre relevante forskrifter i direktivet 2014/53/EU.

Fullstendig tekst for EU-samsvarserklaringen finnes på: <https://www.asus.com/support/>

Wi-Fi-området 5150–5350 MHz skal begrenses til innendørs bruk for landene som er oppført i tabellen:

### Uproszczone deklaracja zgodności UE

Firma ASUSTek Computer Inc. niniejszym oświadcza, że urządzenie to jest zgodne z zasadniczymi wymogami i innymi właściwymi postanowieniami dyrektywy 2014/53/EU. Pełny tekst deklaracji zgodności UE jest dostępny pod adresem <https://www.asus.com/support/>

W krajach wymienionych w tabeli zabraniane sieci Wi-Fi w paśmie 5150–5350 MHz powinno być ograniczone wyłącznie do pomieszczeń:

### Declaração de Conformidade Simplificada da UE

A ASUSTek Computer Inc. declara que este dispositivo está em conformidade com os requisitos essenciais e outras disposições relevantes da Diretiva 2014/53/UE. O texto integral da declaração de conformidade da UE está disponível em <https://www.asus.com/support/>

A utilização das frequências WiFi de 5150 a 5350MHz está restrita a ambientes interiores nos países apresentados na tabela:

### Declarație de conformitate UE, versiune simplificată

Prin prezenta, ASUSTek Computer Inc. declară că acest dispozitiv este în conformitate cu regulamentele esențiale și cu celelalte prevederi relevante ale Directivei 2014/53/UE. Textul complet al declarației de conformitate UE este disponibil la adresa <https://www.asus.com/support/>

Pentru țările listate în tabelul de mai jos, rețelele WiFi care funcționează în banda de frecvență de 5.150-5.350 MHz trebuie utilizate doar în interior:

### Pojednostavljena Deklaracija o usaglašenosti EU

ASUSTek Computer Inc. ovim izjavljuje da je ovaj uređaj usaglašen sa osnovnim zahtevima i drugim relevantnim odredbama Direktive 2014/53/EU. Ceo tekst Deklaracije o usaglašenosti EU dostupan je na lokaciji <https://www.asus.com/support/>

WiFi koji radi u frekventnom opsegu od 5150 MHz do 5350 MHz ograničen je isključivo na upotrebu u zatvorenom prostoru za zemlje navedene u tabeli ispod:

### Zjednodušené vyhlásenie o zhode platné pre EÚ

Spoločnosť ASUSTek Computer Inc. týmto vyhlasuje, že toto zariadenie je v súlade so základnými požiadavkami a ďalšími príslušnými ustanoveniami smernice č. 2014/53/EU. Plné znenie vyhlásenia o zhode pre EÚ je k dispozícii na lokalite <https://www.asus.com/support/>

Činnosť WiFi v pásme 5150 – 5350 MHz bude obmedzená na použitie vo vnútornom prostredí pre krajiny uvedené v tabuľke nižšie:

### Poenostavljena izjava EU o skladnosti

ASUSTek Computer Inc. tukaj izjavlja, da je ta naprava skladna s temeljnimi zahtevami in drugimi relevantnimi določili Direktive 2014/53/EU. Polno besedilo izjave EU o skladnosti je na voljo na <https://www.asus.com/support/>

WiFi, ki deluje v pasovnem območju 5150–5350 MHz, mora biti v državah, navedenih v spodnjem seznamu, omejen na notranjo uporabo:

### Declaración de conformidad simplificada para la UE

Por la presente, ASUSTek Computer Inc. declara que este dispositivo cumple los requisitos básicos y otras disposiciones pertinentes de la directiva 2014/53/UE. En <https://www.asus.com/support/> está disponible el texto completo de la declaración de conformidad para la UE.

La conexión WiFi con una frecuencia de funcionamiento de 5150-5350 MHz se restringirá al uso en interiores para los países enumerados en la tabla:

### Förenklad EU-försäkran om överensstämmelse

ASUSTek Computer Inc. deklarerar härmed att denna enhet överensstämmer med de grundläggande kraven och andra relevanta bestämmelser i direktiv 2014/53/EU. Fullständig text av EU-försäkran om överensstämmelse finns på <https://www.asus.com/support/>

WiFi som användes 5150-5350 MHz kommer att begränsas för användning inomhus i de länder som anges i tabellen:

### ประกาศเกี่ยวกับความสอดคล้องของสหภาพยุโรปแบบย่อ

ASUSTek Computer Inc. ขอประกาศในที่นี้ว่าอุปกรณ์มีความสอดคล้องกับมาตรฐาน

คือกฎที่จำเป็นและเงื่อนไขที่เกี่ยวข้องอื่น ๆ ของมาตรฐานข้อกำหนด 2014/53/EU เนื้อหาที่สมบูรณ์ของประกาศความสอดคล้องกับ EU มีอยู่ที่ <https://www.asus.com/support/>

การทำงานของ WiFi ที่ 5150-5350MHz ถูกจำกัดให้ใช้ในอาคารสำหรับประเทศที่แสดงในตาราง

### Basitleştirilmiş AB Uyumluluk Bildirimi

ASUSTek Computer Inc., bu aygıtın 2014/53/EU Yönergesinin temel gereksinimlerine ve diğer ilgili hükümlerine uygun olduğunu bildirir. AB uygunluk bildiriminin tam metni şu adreste bulunabilir: <https://www.asus.com/support/>

5150-5350 MHz aralısındaki WiFi çalıřması, tabloda listelenen ülkeler için iç mekân kullanımıyla kısıtlanacaktır.

### Спрощена декларація про відповідність нормам ЄС

ASUSTek Computer Inc. заявляє, що цей пристрій відповідає основним вимогам та іншим відповідним вимогам Директиви 2014 / 53 / EU. Повний текст декларації відповідності нормам ЄС доступний на <https://www.asus.com/support/>

Робота Wi-Fi на частоті 5150-5350 МГц обмежується використанням у приміщенні для країн, поданих у таблиці нижче:

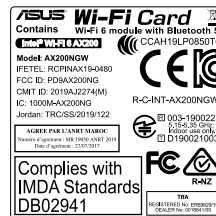


AT	BE	BG	CZ	DK	EE	FR
DE	IS	IE	IT	EL	ES	CY
LV	LI	LT	LU	HU	MT	NL
NO	PL	PT	RO	SI	SK	TR
FI	SE	CH	UK	HR		

### INTEL® WI-FI 6 AX200 output power table:

Function	Frequency	Maximum Output Power (EIRP)
WiFi	2412 - 2472 MHz	18.44 dBm
	5150 - 5350 MHz	18.70 dBm
	5470 - 5725 MHz	18.16 dBm
	5725 - 5850 MHz	8.99 dBm
Bluetooth	2402 - 2480 MHz	12.53 dBm

For the standard EN 300 440 V2.1.1, if this device operates in 5725-5875 MHz, it will be considered as a receiver category 2.



## ASUS contact information

### ASUSTeK COMPUTER INC.

Address 4F, No. 150, Li-Te Road, Peitou, Taipei 112, Taiwan  
Telephone +886-2-2894-3447  
Fax +886-2-2890-7798  
Web site [www.asus.com](http://www.asus.com)

#### *Technical Support*

Telephone +86-21-38429911  
Fax +86-21-5866-8722, ext. 9101#  
Online support <https://www.asus.com/support/Product/ContactUs/Services/questionform/?lang=en>

### ASUS COMPUTER INTERNATIONAL (America)

Address 48720 Kato Rd., Fremont, CA 94538, USA  
Telephone +1-510-739-3777  
Fax +1-510-608-4555  
Web site <http://www.asus.com/us/>

#### *Technical Support*

Support fax +1-812-284-0883  
Telephone +1-812-282-2787  
Online support <https://www.asus.com/support/Product/ContactUs/Services/questionform/?lang=en-us>

### ASUS COMPUTER GmbH (Germany and Austria)

Address Harkort Str. 21-23, 40880 Ratingen, Germany  
Fax +49-2102-959931  
Web site <http://www.asus.com/de>  
Online contact <http://eu-rma.asus.com/sales>

#### *Technical Support*

Telephone +49-2102-5789555  
Support Fax +49-2102-959911  
Online support <https://www.asus.com/support/Product/ContactUs/Services/questionform/?lang=de-de>

