

# FS-Series

LED-backlit Display 27" | 24"

## Borderless Design for Viewing More



The 3-sided narrow bezel FS-Series is crafted with comfort and efficiency in mind for viewing more. The ergonomically-designed stand coming with a wide viewing angle brings convenience, comfort, and consistent colour performance for multiple users both at the workplace and in the home.



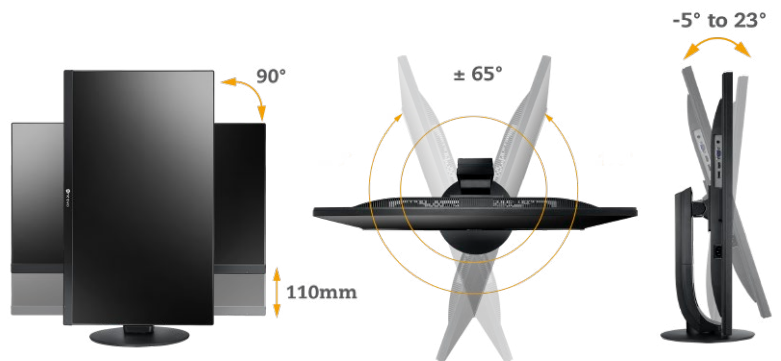


### More Screen Space, Wider Viewing Angle

Offering more screen space to accommodate greater images, the 3-sided narrow-bezel FS-Series caters to users either as stand-alone displays or multi-display setups. Given a wide (178°) viewing angle, it allows multiple users to comfortably share a single display at the same time.

### Maximized Comfort and Efficiency

An ergonomically-designed stand makes it possible to configure your workstation and create a working environment the way you want it. For comfort, convenience, and efficiency, tilt, pivot, or swivel the display, adjust its height, or shift to either portrait or landscape mode.



### Eye Comfort

Eye comfort figures high on the list of strengths that define the FS-Series. The flicker-free backlight and blue light filter of the FS-Series ensure a comfortable viewing experience by reducing eyestrain after long periods of use.

## Features

- Full HD 1920 x 1080 resolution
- Crisp 20,000,000 dynamic contrast ratio
- 3-sided narrow bezel design for seamless multi-display setups
- Versatile connectivity: DisplayPort, HDMI, VGA
- Blue-light filter and Flicker-free display technology reduces eye discomfort
- VESA mount compatibility for flexible installation
- Height adjustable stand allows users to tilt, pivot and swivel



## Specifications

### FS-27

### FS-24

Panel	Panel Type	LED-Backlit TFT LCD (VA Technology)	LED-Backlit TFT LCD (IPS Technology)
	Panel Size	27.0"	23.8"
	Max. Resolution	FHD 1920 x 1080	FHD 1920 x 1080
	Pixel Pitch	0.311 mm	0.275 mm
	Brightness	300 cd/m <sup>2</sup>	250 cd/m <sup>2</sup>
	Contrast Ratio	20,000,000:1 (DCR)	20,000,000:1 (DCR)
Frequency (H/V)	Viewing Angle (H/V)	178°/178°	178°/178°
	Disply Colour	16.7M	16.7M
	Response Time	5 ms	5 ms
	H Freq.	30 kHz-83 kHz	30 kHz-83 kHz
Input	V Freq.	50 Hz-76 Hz	50 Hz-76 Hz
	DisplayPort	x 1	x 1
	HDMI	1.4 x 1	1.4 x 1
Audio	VGA	15-Pin D-Sub x 1	15-Pin D-Sub x 1
	Audio In	Stereo Audio Jack (3.5 mm)	Stereo Audio Jack (3.5 mm)
Power	Internal Speakers	2W x 2	2W x 2
	Power Supply	Internal	Internal
	Power Requirements	AC 100-240V, 50/60 Hz	AC 100-240V, 50/60 Hz
	On Mode	22W (On)	18W (On)
Operating Conditions	Stand-by Mode	< 0.5W	< 0.5W
	Off Mode	< 0.5W	< 0.5W
Storage Conditions	Temperature	0°C-40°C (32°F-104°F)	0°C-40°C (32°F-104°F)
	Humidity	10%-85% (non-condensing)	10%-85% (non-condensing)
Mounting	Temperature	-25°C-55°C (-13°F-131°F)	-25°C-55°C (-13°F-131°F)
	Humidity	5%-93% (non-condensing)	5%-93% (non-condensing)
Stand	VESA FPMPMI	Yes (100 x 100 mm)	Yes (100 x 100 mm)
	Tilt	-5° to 23°	-5° to 23°
	Swivel	± 65°	± 65°
Security	Height Adjustment	0-110 mm	0-110 mm
	Kensington Security Slot	Yes	Yes
Dimensions	w/Base (W x H x D)	611.9 x 518.7 x 249.0 mm (24.1" x 20.4" x 9.8")	540.6 x 498.6 x 249.0 mm (21.3" x 19.6" x 9.8")
	Packaging (W x H x D)	715.0 x 450.0 x 305.0 mm (28.1" x 17.7" x 12.0")	632.0 x 417.0 x 282.0 mm (24.9" x 16.4" x 11.1")
Weight	w/Base	6.6 kg (14.5 lb)	5.7 kg (12.5 lb)
	Packaging	8.9 kg (19.6 lb)	7.8 kg (17.1 lb)
Regulation Approval	Certification & Compliance	CE, CB, WEEE, RoHS, REACH, EAC	CE, CB, WEEE, RoHS, REACH, EAC
Accessories	Supplied	Power Cord, HDMI Cable, Audio Cable, Quick Start Guide, Warranty Card	Power Cord, HDMI Cable, Audio Cable, Quick Start Guide, Warranty Card
Optional Accessories		Wall Mount: PMK-01 Desk Mounts: DMC-01, ES-02 Ceiling Mount (Landscape only): CMP-01 + WMK-03 Wall Mounts (Landscape only): WMA-01, WMK-01, WMK-03	Wall Mount: PMK-01 Desk Mounts: DMC-01, ES-02 Ceiling Mount (Landscape only): CMP-01 + WMK-03 Wall Mounts (Landscape only): WMA-01, WMK-01, WMK-03

**Global Headquarters**

Taipei, Taiwan

**EMEA Regional Headquarters**

Capelle a/d IJssel, The Netherlands

**North & South America Regional Headquarters**

San Jose, CA, U.S.A.

**Asia-Pacific Regional Headquarters**

Taipei, Taiwan

**Canada Sales Office**

Vancouver, B.C., Canada

**China Sales Office**

Shanghai, China

**Czech Republic Sales Office**

Brno, Czech Republic

**Denmark Sales Office**

Støvring, Denmark

**Germany Sales Office**

Mechernich, Germany

**Italy Sales Office**

Livorno, Italy

**Poland Sales Office**

Warsaw, Poland

**Spain Sales Office**

Barcelona, Spain

**Ukraine Sales Office**

Lviv, Ukraine

[displays.agneovo.com](https://displays.agneovo.com)