

# Air conditioner

---

## Quick Guide

AR\*\*TXHZ\*\*\*

---

- Thank you for purchasing this Samsung air conditioner.
- Before operating this unit, please read this manual carefully and retain it for future reference.



**SAMSUNG**

# Detailed User Manual

---

## Checking on the website

---

- STEP1 Check the model name.
- STEP2 Go to the Samsung website (<http://www.samsung.com>) or Read the QR code.



- STEP3 Search and check User manual. SUPPORT  
> Manuals & Downloads > Search model

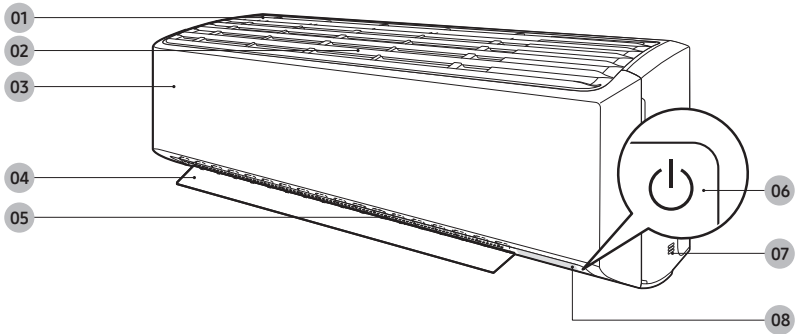
## Checking in Service Centre

---

- STEP1 Check the model name.
- STEP2 Contact Service Centre.
- STEP3 Ask for the user manual of your product model.

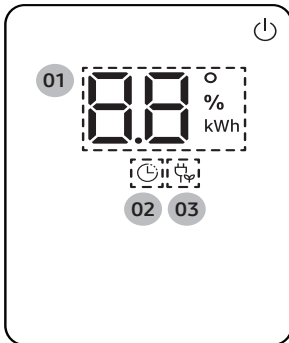
# Indoor Unit Overview

The appearance of the actual product may differ slightly from the image below.



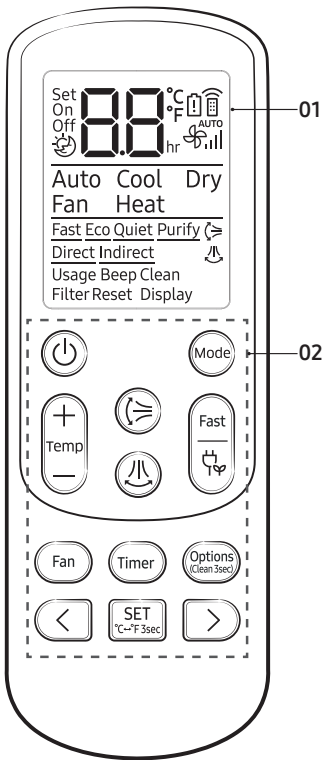
- 01 Air intake
- 02 Air filter
- 03 Front panel
- 04 Airflow blade (up and down)
- 05 Airflow blade (left and right)
- 06 Power button/Remote control receiver
- 07 Room temperature sensor
- 08 Display

## Display



- 01 Temperature indicator (numeric)  
Filter reset indicator (⊞ F)  
Auto clean indicator (⊞ i)  
Defrost indicator (dF)
- 02 Timer indicator  
good'sleep indicator
- 03 Eco indicator

# Operating the Air Conditioner



## Functions and Buttons

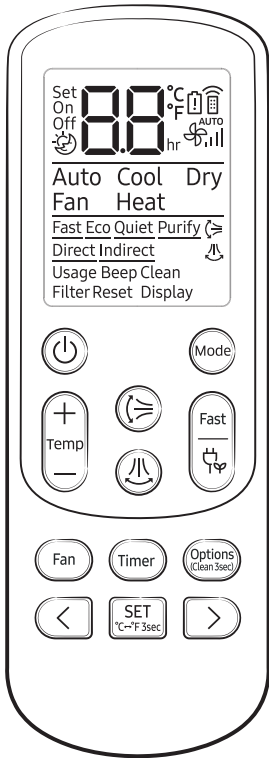
Function	Button and Selection	Display
Power On/Off		
Auto	►  ► Select Auto.	Auto
Cool	►  ► Select Cool.	Cool
Dry	►  ► Select Dry.	Dry
Fan	►  ► Select Fan.	Fan
Heat	►  ► Select Heat.	Heat
Fast	In Cool or Heat mode ►	Fast
Quiet	In Cool or Heat mode ►  ► ► Select Quiet. ►	Quiet
Beep	►   ► Select Beep. ► 	Beep
Display lighting	►   ► Select Display. ► 	Display

01 Display

02 Button

### NOTE

- Although Horizontal air flow () , Purify, Usage, Direct and Indirect is displayed on the remote control display, it is not available on this model.
- Features may differ depending on models.



Function	Button and Selection	Display
Eco	In Cool or Heat mode ▶	Eco
Timed on/off	Timer ▶ Select On or Off ▶ (Set the duration.) ▶ 	On Off
good'sleep	In Cool or Heat mode ▶ Timer (Select ) ▶ (Set the duration.) ▶ 	

# Cleaning

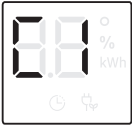
## Auto clean function

Use the Auto clean function if the indoor unit produces odors.

### Activating Auto clean

To activate Auto clean, press the  (Options) button for at least 3 seconds.

The indoor unit display shows:



### Canceling Auto clean

To cancel Auto clean while it is running, follow the procedure below:



▶ Press and hold for 3 or more seconds.

### Deactivating Auto clean

To deactivate Auto clean, follow the procedure below while the air conditioner is in operation or turned off:

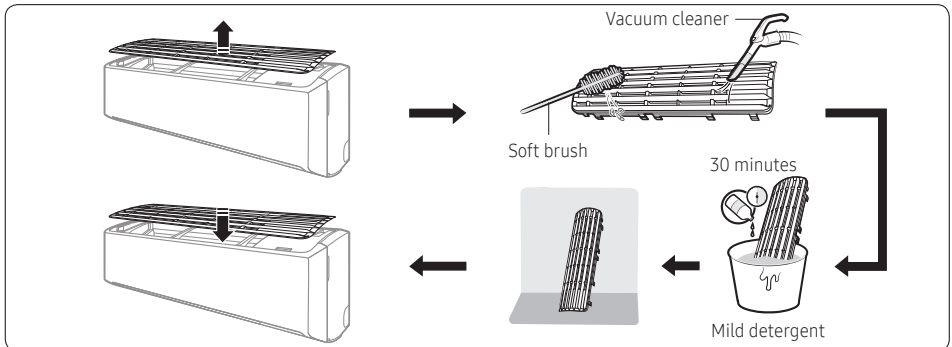


▶ Select Clean. ▶



## Cleaning the filter

Clean the air filter every two weeks or when the  (filter-cleaning reminder) appears on the indoor unit display. The time between cleanings may vary, depending on the usage and environmental conditions.



- 
- 1 Slide the filter off of the unit.
  - 2 Use a soft brush or vacuum cleaner to remove any dust or debris on the filter.
  - 3 Soak the filter in a solution of water and mild detergent for 30 minutes.
  - 4 Rinse the filter and let it air dry in a well-ventilated area that is out of direct sunlight.
  - 5 Reinstall the filter.
  - 6 Reset the filter-cleaning reminder:



## QUESTIONS OR COMMENTS?

COUNTRY	CALL	OR VISIT US ONLINE AT
UK	0330 SAMSUNG (7267864)	<a href="http://www.samsung.com/uk/support">www.samsung.com/uk/support</a>
IRELAND (EIRE)	0818 717100	<a href="http://www.samsung.com/ie/support">www.samsung.com/ie/support</a>
GERMANY	06196 77 555 77	<a href="http://www.samsung.com/de/support">www.samsung.com/de/support</a>
FRANCE	01 48 63 00 00	<a href="http://www.samsung.com/fr/support">www.samsung.com/fr/support</a>
ITALIA	800-SAMSUNG (800.7267864)	<a href="http://www.samsung.com/it/support">www.samsung.com/it/support</a>
SPAIN	91 175 00 15	<a href="http://www.samsung.com/es/support">www.samsung.com/es/support</a>
PORTUGAL	808 207 267	<a href="http://www.samsung.com/pt/support">www.samsung.com/pt/support</a>
LUXEMBURG	261 03 710	<a href="http://www.samsung.com/be_fr/support">www.samsung.com/be_fr/support</a>
NETHERLANDS	088 90 90 100	<a href="http://www.samsung.com/nl/support">www.samsung.com/nl/support</a>
BELGIUM	02-201-24-18	<a href="http://www.samsung.com/be/support">www.samsung.com/be/support</a> (Dutch) <a href="http://www.samsung.com/be_fr/support">www.samsung.com/be_fr/support</a> (French)
NORWAY	21629099	<a href="http://www.samsung.com/no/support">www.samsung.com/no/support</a>
DENMARK	707 019 70	<a href="http://www.samsung.com/dk/support">www.samsung.com/dk/support</a>
FINLAND	030-6227 515	<a href="http://www.samsung.com/fi/support">www.samsung.com/fi/support</a>
SWEDEN	0771 726 786	<a href="http://www.samsung.com/se/support">www.samsung.com/se/support</a>
POLAND	801-172-678* lub +48 22 607-93-33* Specjalistyczna infolinia do obsługi zapytań dotyczących telefonów komórkowych: 801-672-678* * (opłata według taryfy operatora)	<a href="http://www.samsung.com/pl/support/">http://www.samsung.com/pl/support/</a>
HUNGARY	0680SAMSUNG (0680-726-7864)	<a href="http://www.samsung.com/hu/support">www.samsung.com/hu/support</a>
AUSTRIA	0800 72 67 864 (0800-SAMSUNG)	<a href="http://www.samsung.com/at/support">www.samsung.com/at/support</a>
SWITZERLAND	0800 726 786 (0800-SAMSUNG)	<a href="http://www.samsung.com/ch/support">www.samsung.com/ch/support</a> (German) <a href="http://www.samsung.com/ch_fr/support">www.samsung.com/ch_fr/support</a> (French)
CZECH	800 - SAMSUNG (800-726786)	<a href="http://www.samsung.com/cz/support">www.samsung.com/cz/support</a>
SLOVAKIA	0800 - SAMSUNG (0800-726 786)	<a href="http://www.samsung.com/sk/support">www.samsung.com/sk/support</a>
CROATIA	072 726 786	<a href="http://www.samsung.com/hr/support">www.samsung.com/hr/support</a>
BOSNIA	055 233 999	<a href="http://www.samsung.com/support">www.samsung.com/support</a>
North Macedonia	023 207 777	<a href="http://www.samsung.com/mk/support">www.samsung.com/mk/support</a>
MONTENEGRO	020 405 888	<a href="http://www.samsung.com/support">www.samsung.com/support</a>
SLOVENIA	080 697 267 (brezplačna številka)	<a href="http://www.samsung.com/si/support">www.samsung.com/si/support</a>
SERBIA	011 321 6899	<a href="http://www.samsung.com/rs/support">www.samsung.com/rs/support</a>
ALBANIA	045 620 202	<a href="http://www.samsung.com/al/support">www.samsung.com/al/support</a>
BULGARIA	*3000 Цена на един градски разговор 0800 111 31 Безплатен за всички оператори	<a href="http://www.samsung.com/bg/support">www.samsung.com/bg/support</a>
ROMANIA	*8000 (apel in retea) 08008-726-78-64 (08008-SAMSUNG) Apel GRATUIT Atenție: Dacă efectuați apelul din rețeaua Digi (RCS/RDS), vă rugăm să ne contactați formând numărul Telverde fără ultimele două cifre, astfel: 0800872678.	<a href="http://www.samsung.com/ro/support">www.samsung.com/ro/support</a>
CYPRUS	8009 4000 only from landline, toll free	<a href="http://www.samsung.com/gr/support">www.samsung.com/gr/support</a>
GREECE	80111-SAMSUNG (80111 726 7864) only from land line (+30) 210 6897691 from mobile and land line	
LITHUANIA	8-800-77777	<a href="http://www.samsung.com/lt/support">www.samsung.com/lt/support</a>
LATVIA	8000-7267	<a href="http://www.samsung.com/lv/support">www.samsung.com/lv/support</a>
ESTONIA	800-7267	<a href="http://www.samsung.com/ee/support">www.samsung.com/ee/support</a>



This appliance is filled with R-32.