

31.412

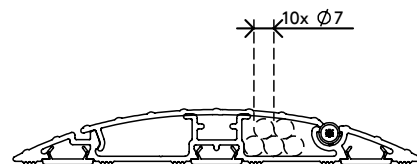
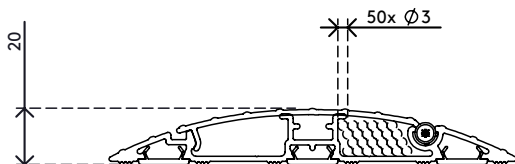
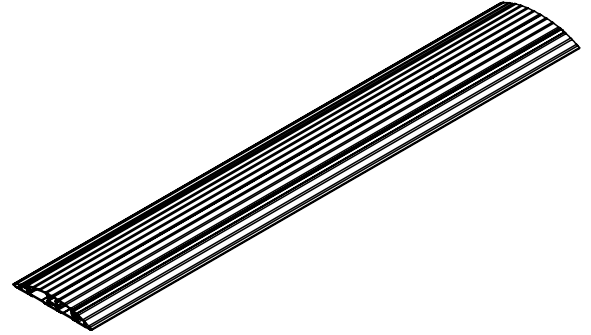
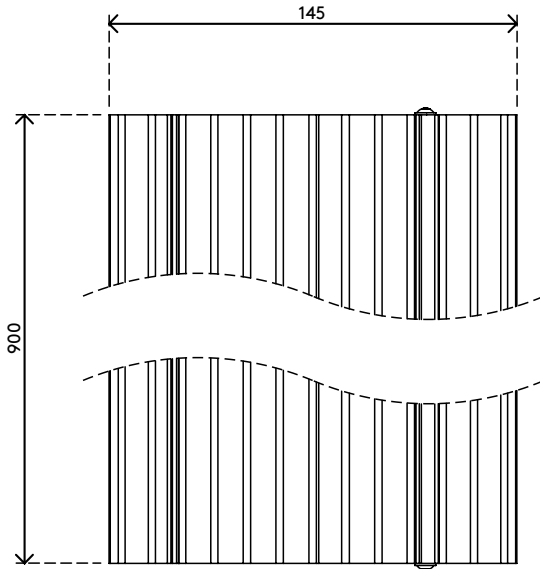
# Addit cable protector 90 cm - straight 412

This Addit cable protector makes it easy to safely get cables across to where you need them to be. The sturdy aluminium construction protects both people and cables by keeping them out of each other's way. Additionally, the hinged cover makes it easy to place, remove or switch out any cable in a matter of seconds.

Are you looking for something specific?  
We can customise the length of the cable protector to your needs.  
Contact us for more information.

- Made from 80% recycled aluminium
- Ridged top ensures safe slip resistant surface
- Able to carry loads of up to 500 Kg's
- Suitable for 10 cables of 7 mm (0,3") thickness
- Hinged cover provides easy top access to cable ducts
- Underside ridges and friction strips provide grip on all floor types
- Fully recyclable aluminium assembly
- Dimensions (w x d x h): 145 x 900 x 20 mm (5,7 x 35,4 x 0,8")

# addit



Addit cable protector 90 cm - straight 412

2020/02/26

# 31.412

 935 x 180 x 45 mm

 1 pcs

 silver

 1,3 kg

 805410314125