



**THE BEST SUPPORT
FOR YOUR AV & IT HARDWARE**
T: + 31(0)23-5478888 | E: info@newstar.eu | W: www.newstar.eu

NS-M1500WHITE

NEWSTAR FLAT SCREEN FLOOR STAND

Newstar Mobile Monitor/TV Floor Stand for
32-65" screen - White



SPECIFICATIONS

Cable management	Yes
Color	White
Height	110 - 143.5 cm
Height adjustment	Manual
Max. screen size	65
Max. weight	50
Min. screen size	32
Min. weight	0
Screens	1
Tilt (degrees)	15°
Type	Tilt
	Mobile
VESA maximum	600x400 mm
VESA minimum	200x200 mm
Warranty	5 year
EAN code	8717371448097

The NewStar floor stand, model NS-M1500WHITE is a mobile floor stand for flat screens up to 65" (165 cm). This mobile stand is a great choice for space saving placement or when wall-, ceiling mounting or desk placement is not an option. This cart stretches your investment by serving a variety of projection needs by sharing a large display over multiple rooms. Get optimal positioning for both standing and seated audiences, in any application, in any part of your location.

NewStar's versatile tilt (15°) technology allows the mount to change to multiple viewing angles to fully benefit from the capabilities of the flat screen. The mount is manually height adjustable from 110 to 144 centimetres. An innovative cable management conceals and routes cables from mount to flat screen. Hide your cables to keep the stand nice and tidy.

NewStars' floor stand, NS-M1500WHITE holds your TV, AV equipment and even hides your cables. The casters allow the stand to move it to where you need it. Easily roll this cart through doorways and over thresholds.

NewStar NS-M1500WHITE has one pivot point and is suitable for screens up to 65" (165 cm). The weight capacity of this product is 50 kg each screen. The stand is suitable for screens that meet VESA hole pattern 200x200 to 600x400mm.

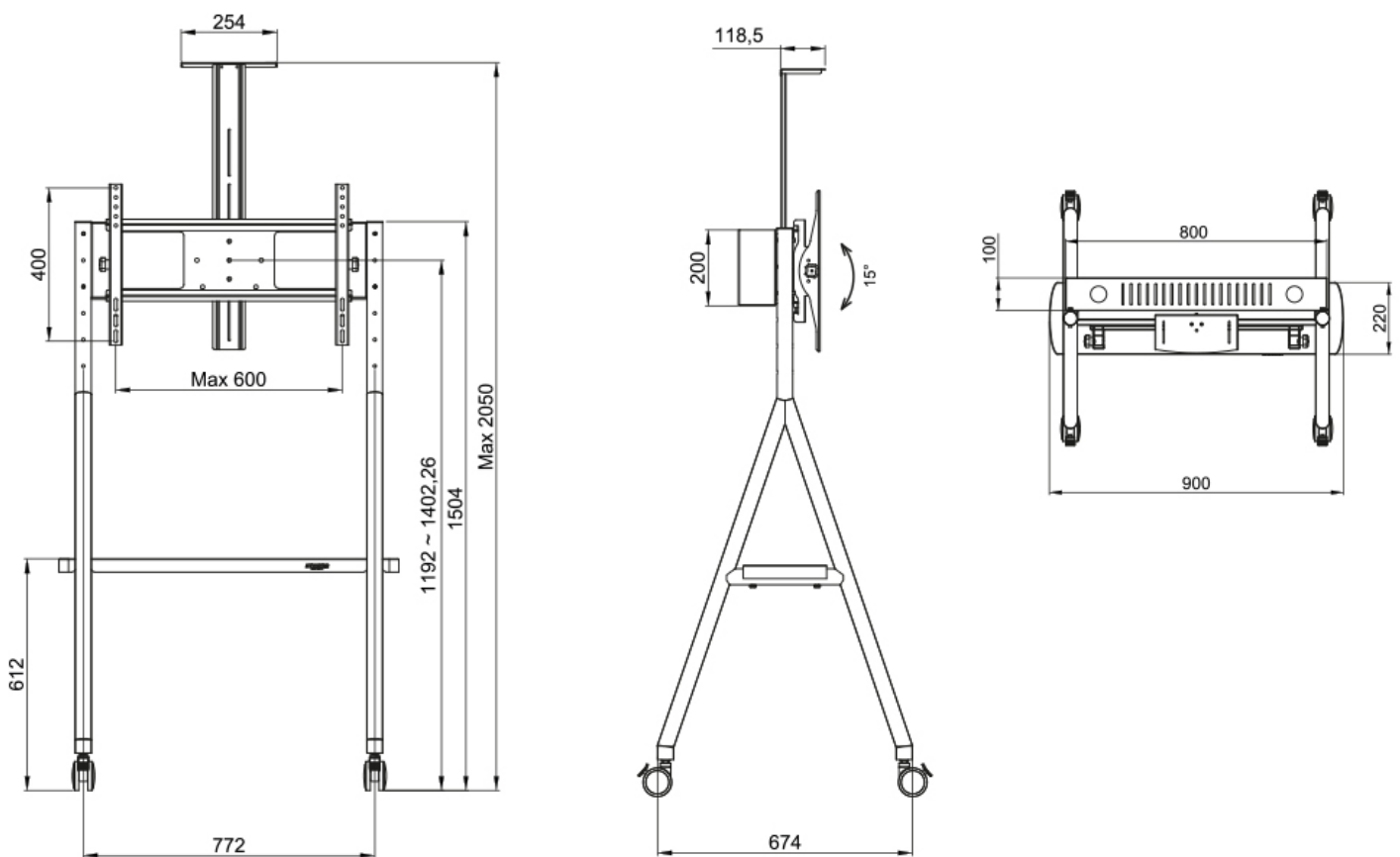
All installation material is included with the product.



**THE BEST SUPPORT
FOR YOUR AV & IT HARDWARE**
T: +31(0)23-5478888 | E: info@newstar.eu | W: www.newstar.eu

NS-M1500WHITE

NEWSTAR FLAT SCREEN FLOOR STAND



NewStar Products Europe B.V.
Wateringweg 62/B
2031 EJ HAARLEM
THE NETHERLANDS

Phone : +31(0)23-5478888
Fax : +31(0)23-5478889
Email : info@newstar.nl
Website : www.newstar.eu

NewStar cannot be held liable for any inaccuracies and copyrights.
No part of this publication may be reproduced and/or published by print, photocopy, microfilm or in any other way, without prior written permission of NewStar Computer Products Europe BV.