

FPMA-D965

NEOMOUNTS FPMA-D965 MONITOR ARM 10-30"

SPECIFICATIONS

GENERAL

Min. screen size*	10
Max. screen size*	30
Min. weight	0
Max. weight	10
Screens	1
Desk mount	Grommet Clamp
VESA maximum	100x100 mm
VESA minimum	75x75 mm

FUNCTIE

Type	Tilt Rotate Swivel Full motion
Height adjustment	0-45 cm
Depth adjustment	9 cm
Tilt (degrees)	180°
Swivel (degrees)	180°
Rotate (degrees)	360°
Adjustment type	Manual

INFORMATION

Color	Black
Main material	Steel
Warranty	5 year

*Please note: The inch sizes stated are just an indication, combined with the weight and VESA sizes. The maximum weight and VESA size are absolute restrictions for the products and should not be exceeded.



Neomounts



Neomounts

Neomounts FPMA-D965 Single monitor arm - 10-30" - 0-10 kg - black

The Neomounts desk mount, model FPMA-D965 is a tilt-, swivel and rotatable desk mount for flat screens up to 30". This mount is a great choice for space saving placement on desks using a desk clamp or grommet mount.

Neomounts versatile tilt (180°), rotate (360°) and swivel (180°) technology allows the mount to change to any viewing angle to fully benefit from the capabilities of the flat screen. The mount is manually height adjustable from 0 to 45 centimetres. Depth 9 centimetres.

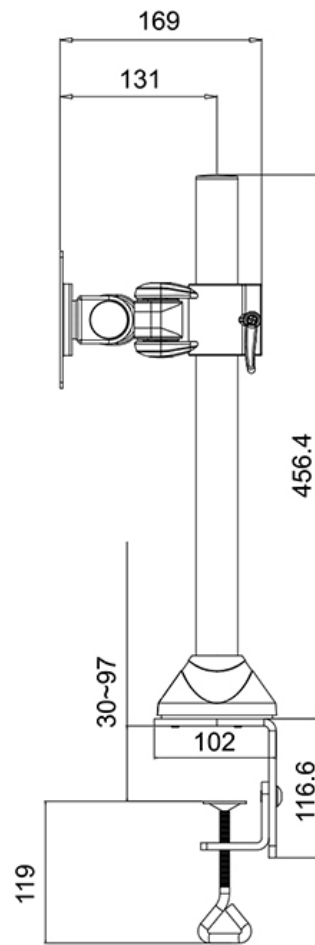
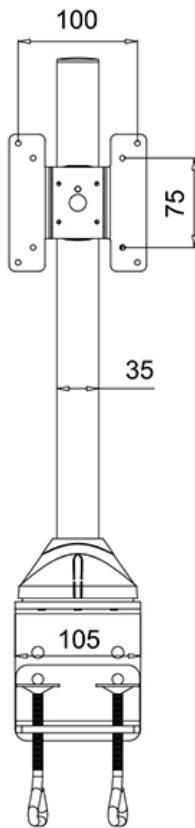
Neomounts FPMA-D965 has two pivot points and is suitable for screens up to 30" (76 cm). The weight capacity of this product is 10 kg each screen. The desk mount is suitable for screens that meet VESA hole pattern 75x75 or 100x100mm. Different hole patterns can be covered using Neomounts VESA adapter plates.

By using an ergonomic mount neck- and back complaints can be avoided. Ideal for use in offices and on counters or in a reception area.

All installation material is included with the product.

FPMA-D965

NEOMOUNTS FPMA-D965 MONITOR ARM 10-30"



Neomounts

Measuring unit: mm