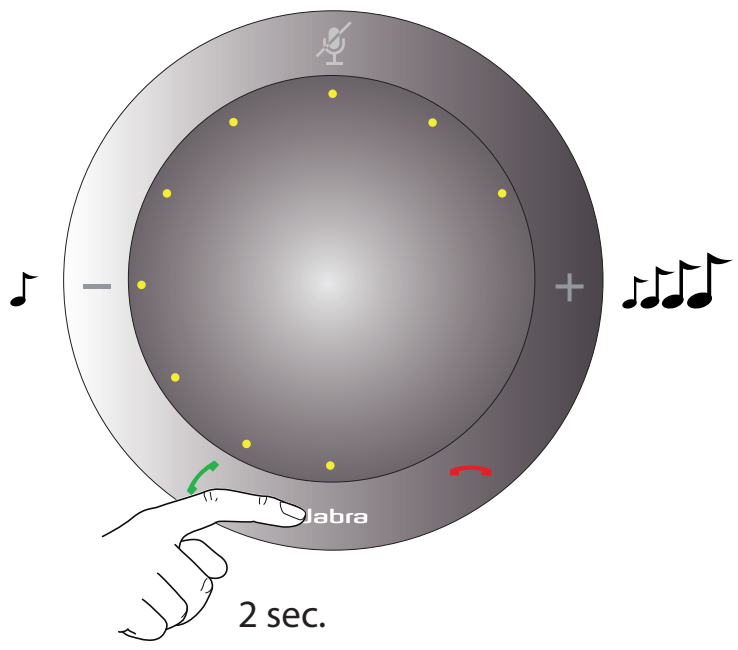
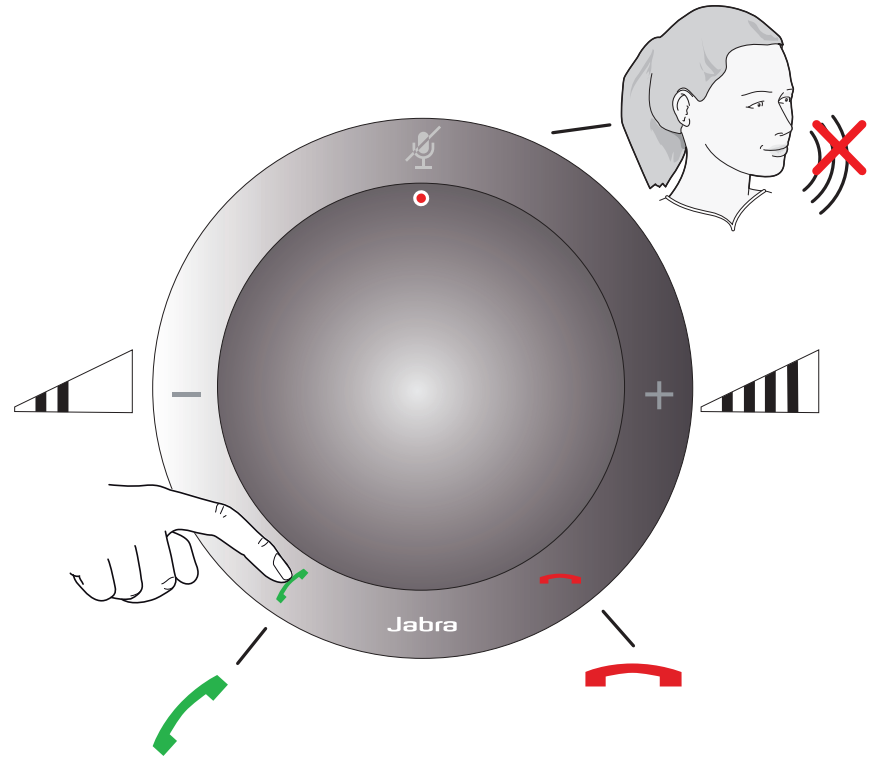
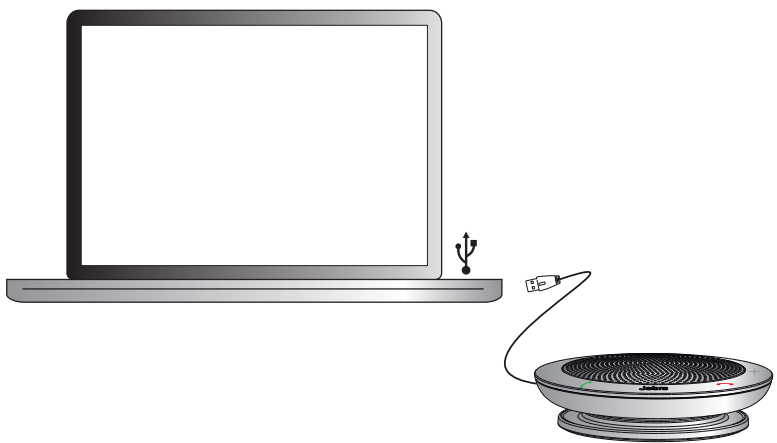
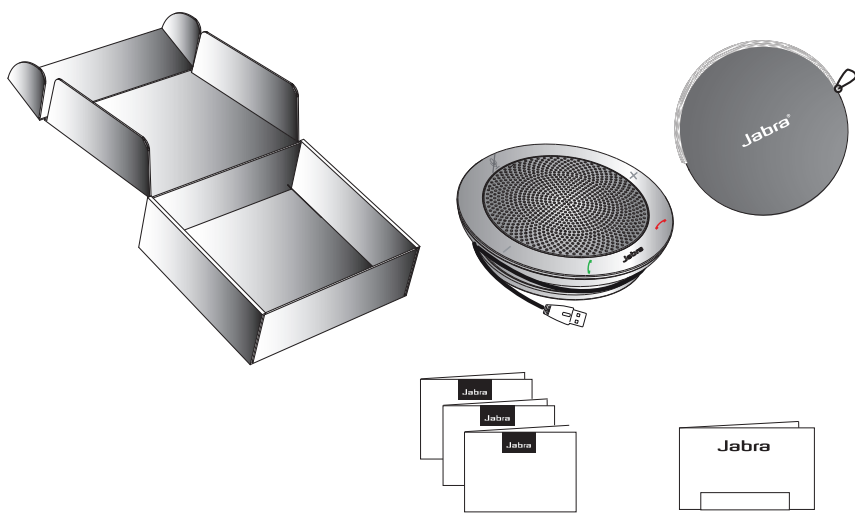




# Jabra SPEAK™ 410 GETTING STARTED



NEED MORE HELP?

For all support go to [jabra.com/support](https://jabra.com/support)

[jabra.com/speak410](https://jabra.com/speak410)