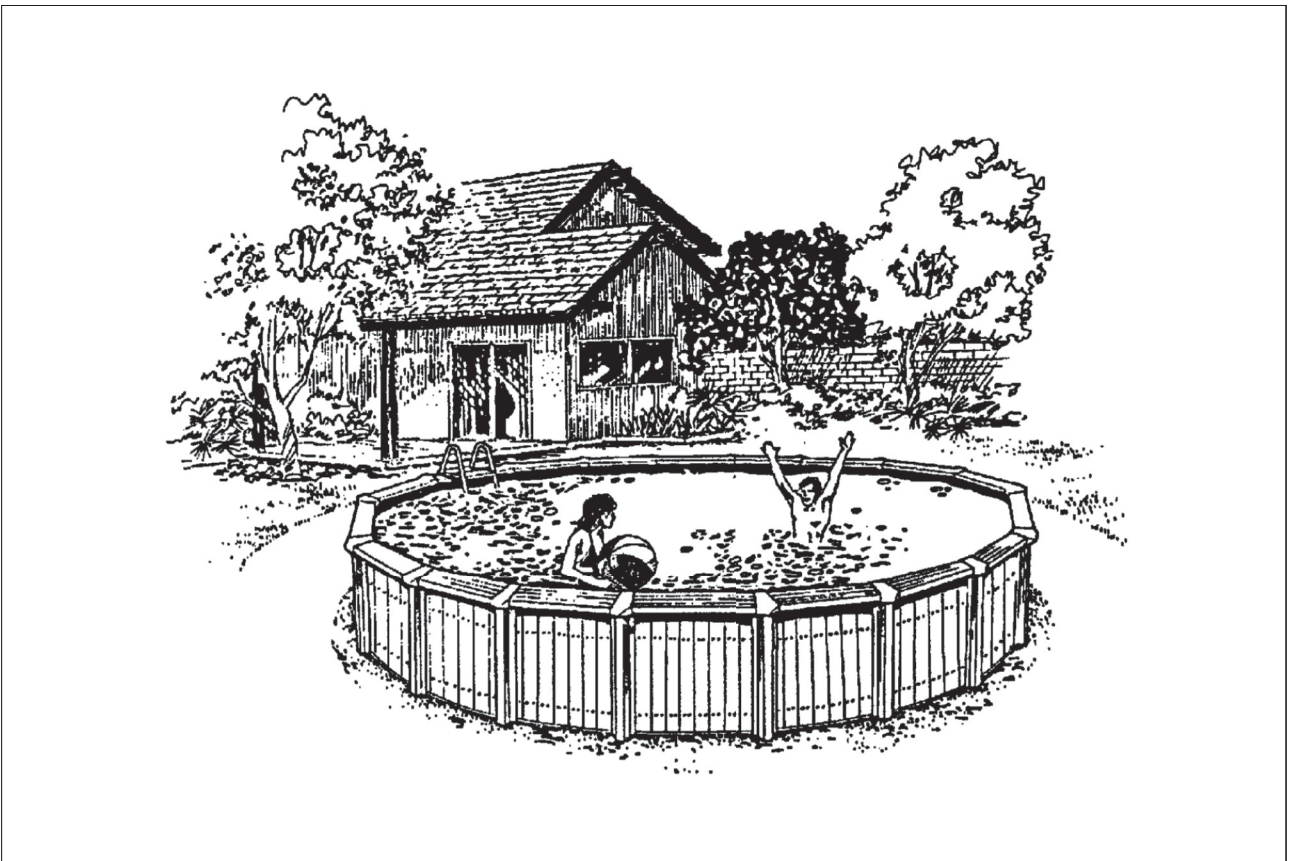


DIANA

ROUND POOLS

ASSEMBLY INSTRUCTIONS



Assembly instructions

HOW TO USE THESE INSTRUCTIONS

Be sure to read these instructions completely before beginning the installation of your pool. **ATTENTION:** Always use these assembly instructions to install your swimming pool. Ignore any English instructions included with the pool, as the size will be in inches, etc. **ATTENTION:** Check the pool parts with the English parts lists.

These are installation instructions for the installation of several sizes of round pools. Use the pool parts list and extensive illustrations to identify your pool parts; then read these instructions and follow the steps that pertain to your pool assembly.

Embassy PoolCo. cannot be held liable for damage caused by careless or improper installation. Your warranty is void if the pool assembly and installation instructions are not followed exactly, or if the pool design is altered in any way.

Contracted Installation

Embassy PoolCo. is not affiliated with any professional pool installers and cannot assume any responsibility for installation mistakes made by the homeowner. If the pool is installed by others, please supervise the installation and make sure that the correct installation method is applied.

Change of pool design

Embassy PoolCo. expressly reserves the right to change or modify the design and instruction during the course of our manufacturing procedures, without incurring any obligation or liability to reapply such modifications on products previously or currently sold.

CAUTIONS

1. Do not attempt to install pool wall on windy days. An unsupported pool wall can easily blow down and may thus cause personal injury.
2. When assembling your pool, keep the parts not currently used in an area out of the way. Unpacked parts are easily tripped over and may be damaged or cause personal injury.

3. Do not attempt to lift the heavy boxes by yourself. To reduce the possibility of personal injury, have someone help you move heavy boxes (pool wall, liner, etc.).

WARNINGS

1. Your pool must be level within 2-3 cm all around. An unlevel pool may cause excessive stress on the pool frame. A pool which is not level may cause a lot of pressure on the frame. This may result in pool failure which could cause serious personal injury.
2. Your pool must be on undisturbed soil, preferably filtered sand. Filled up sand, sudden slopes within 15 cm or the water runoff may cause a cave in of the subsoil. This could cause pool failure and may cause personal injury.
3. Always install the Warning Sign. The decal is designed to warn you, your friends and loved ones that your pool is to be used for swimming and wading only. Do not allow any form of horseplay in or around the pool. Failure to follow this warning can lead to severe personal injury. Read the "Safety First" booklet. (In English).
4. Use stabilised sand as a pool cove. Common sand can easily erode and allow the pool liner to rupture which may cause pool failure or personal injury.
5. Secure your pool when not in use. Ladders and gates should be secured to reduce the possibility of unauthorised entry and possible serious accidents.
6. Always repair liner leaks. Continued leakage between the pool wall and liner can cause wall damage to the wall which eventually may result in pool wall failure. This could result in personal injury.
7. To reduce the risk of possible electrical shock, never install your pool under overhead wires.
8. Do not alter your pool as this may cause pool failure. Your warranty is void if the pool is altered.
9. Do not install a diving board, pool slide or any other recreational accessories for use during diving, sliding or jumping into your pool.

10. ATTENTION: Do not install the pool liner at temperatures under 16°C. At lower temperatures the liner's elasticity is too limited for proper installation.

Where to position my pool?

Before you start building your pool, pay attention to the following points:

1. Garden fence.
2. Trees, roots, overhanging branches and falling leaves.
3. Underground wiring or cables.
4. Position pool with regard to sun terrace or sunken sitting area.
5. Position pool with regard to the sunshine.
6. Supervision of small children.
7. Convenient location of filter and pump.
8. Convenient electrical outlet for the pump.
9. 2 or 3 people for assistance during assembly.
10. Do not build in case of strong wind.
11. Walking space around your pool (60 cm).
12. Put your pool on a level underground.
13. In case of building the pool into the ground: groundwater level

MATERIALS AND TOOLS NEEDED

(Not included)

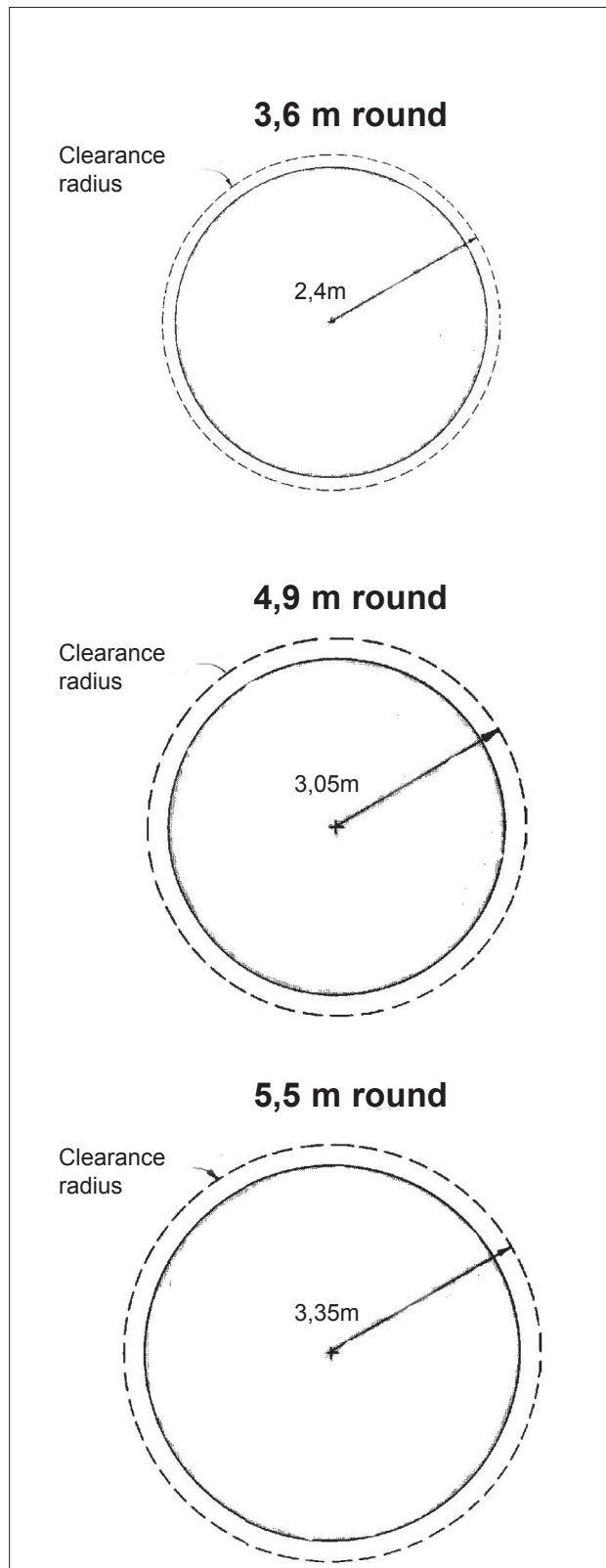
Materials:

1. 12 nails, 4 cm long
2. Patio blocks, 1 per stud
3. Roller masonry or kite string
4. Binder clips
5. Straight board, 5 x 10 cm diameter (Length, please refer to Step 1)
6. Scotch tape 5 cm wide
7. Wooden stake 5 x 5 cm, 50 cm long
8. Sub-liner

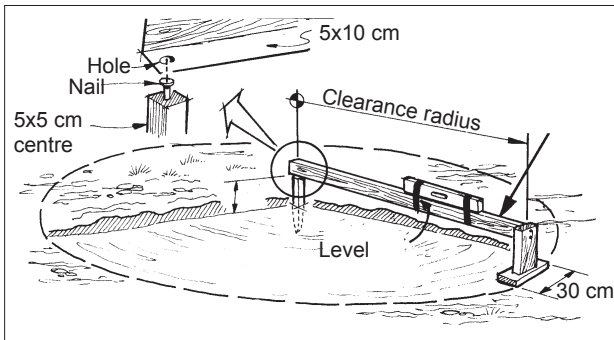
Werkzeug:

1. Carpenter's level
2. Carpenter's saw
3. Fibre tip pen
4. Stanley knife
5. Star + regular screwdriver
6. Hammer
7. Shovel / barrow
8. Rake
9. Tape measure

POOL SIZES



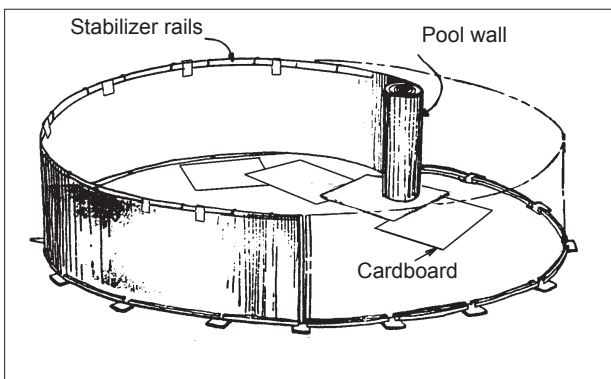
Step 1



Depending on the size of your pool (please refer to the pool layout dimensions above) you will determine the pool diameter and determine the outline of the working space (60 cm).

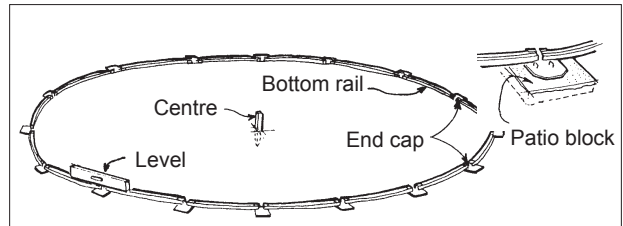
Drive the stake into ground at pool centre and draw a circle around it. Now level and smooth the soil within the circle as indicated. In order to obtain solid subsoil, it is better to remove and level the pool area and fill it up with loose sand. Remove sods, stones, roots and other objects that could puncture the liner. Remember that the entire assembled pool framework must be level and be on clean ground (preferably sifted sand).

Step 3

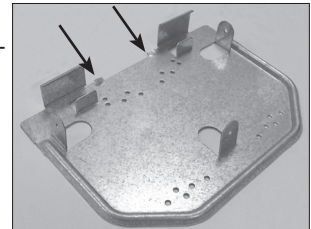


At this time remove the steel pool wall from the carton. Note the Up arrow. The starting point of the wall assembly is dependent on the location where you have determined that the pump and filter will be located. The skimmer and inlet openings are located at the end of the coil. Always start in the centre of a bottom rail connecting piece, then each time uncoil 1.5 m and insert that into the groove of the bottom rail. If both ends do not completely match up, correct that by sliding the bottom rail more or less into the bottom connecting pieces.

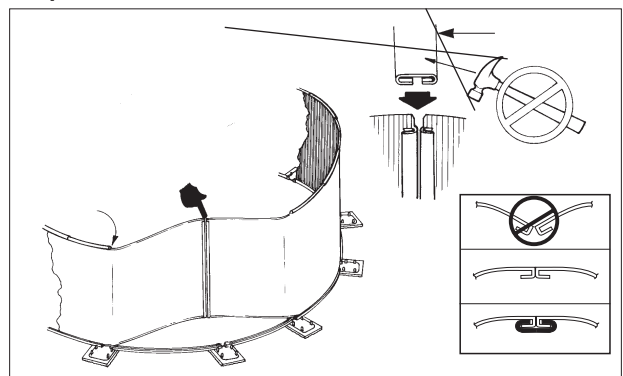
Step 2



Use a wooden stake as the centre and make a circle of the diameter of your pool. For this attach a wire or cord on the one hand to the wooden stake and on the other hand to a screw driver or marking pen. The size is half of the pool diameter starting from the wooden stake. Create a circle with the bottom rails by sliding each bottom rail into a bottom rail connecting piece, with the groove up according to the drawing. Attention, slide the rail up to the lips of the base plate. If the soil condition is not optimum, then place underneath each bottom rail connecting piece a concrete slab, countersunk to the bottom level for extra security.

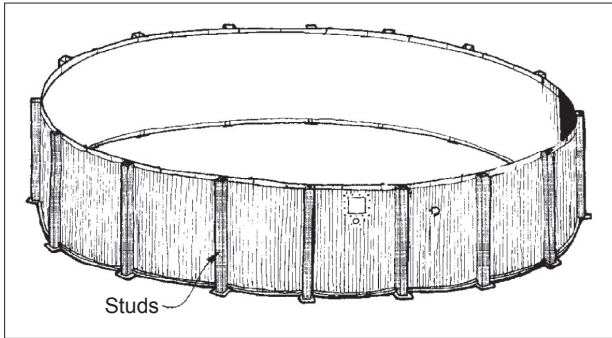


Step 4



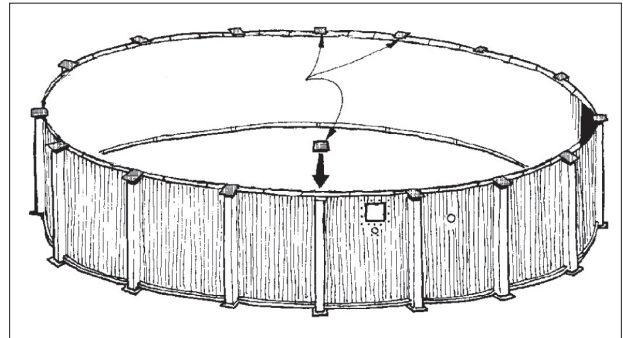
Slide the steel connecting strip across both ends of the pool wall (please refer Step 4). This should happen without extra effort. Use a little bit of oil or grease, if extra effort is needed to assemble this connecting strip. If this is not successful, correct the dimensional lining of your pool. Never use a hammer or extra effort because this can damage your pool.

Step 5



Now place the studs such that the threaded hole is at the top front. The installation is connected together with self tapping screws. A drop of oil on the self tappers makes your work easier.

Step 6



Carefully adhere to the details indicated in Figure A for the assembly of the end caps.

Step 7

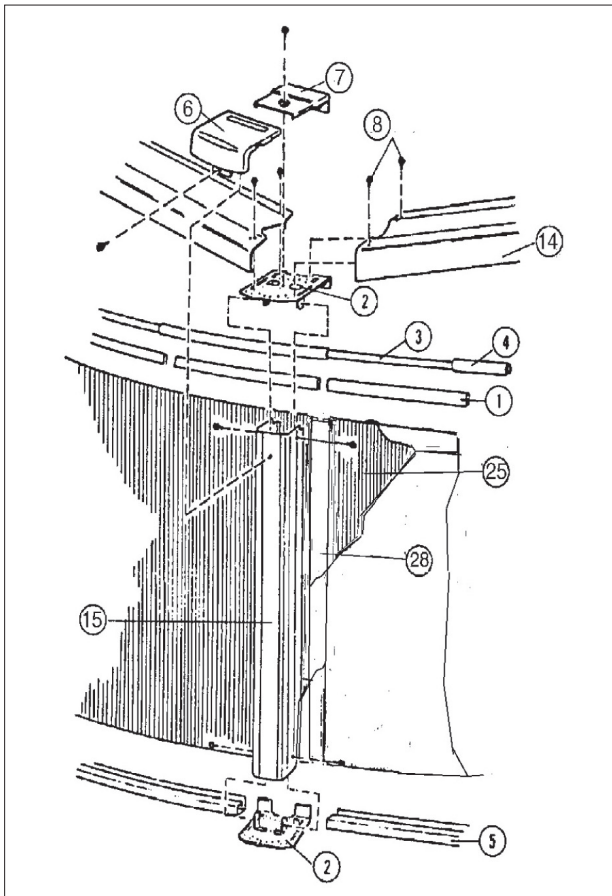
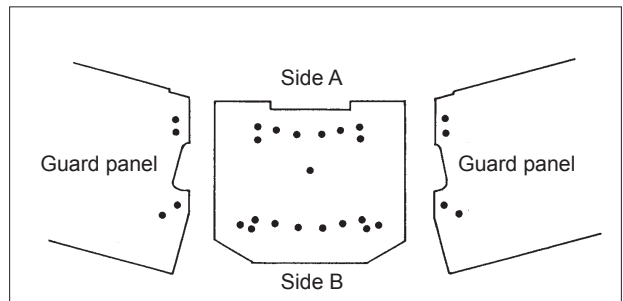


Figure A

Legende bei Abbildung A

- | | |
|--------------------------------|-----------------------|
| 1 = Plastic profile | 7 = Guard (bottom) |
| 2 = End cap | 8 = Screws |
| 3 = Stabilisation rail (small) | 14 = Guard panel |
| 4 = Stabilisation rail (large) | 15 = Stud |
| 5 = Bottom rail | 25 = Pool wall |
| 6 = Guard (top) | 28 = Connecting strip |

HOLE DIAGRAM FOR THE GUARD PANELS

LOCATION HOLES	DIAMETER POOL		
	3,6	4,9	5,
Hole guard panel A Side	C	16/8/S	C
Hole end cap A Side	1/8	16/8	18
Hole guard panel B Side	C	C	C
Hole end cap B Side	1/T	16	18

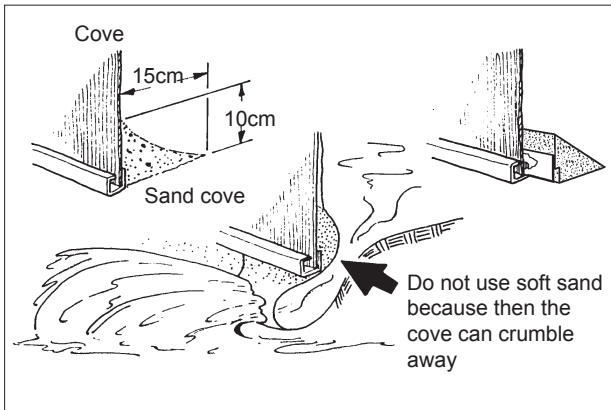
Installing the guard panels. Four each of 3/8" self tapping screws connect the guard panels to the end caps, screw the self tapping screw in the correct holes (please refer to the Figure A diagram).

Step 8

ASSEMBLING THE GUARDS

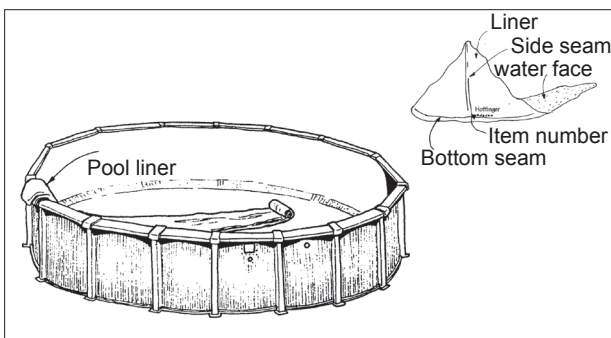
Assemble now the two-part guards. First assemble the inside. Slide the outside across the inside. Attention, we recommend placing tape across the guard panels to prevent damage caused by the guards. You can later remove it again. Please refer to the legend of Figure A in page 5.

Step 9



Important step! On the inside of the steel wall, construct a slanting elevation of stabilized sand of approx. 15 cm high and wide with a mixing ratio of 1m³ fluvial sand with 125 kg concrete). This is vitally important for the preservation of the internal lining. It happens that due to the water pressure the liner underneath the bottom rail is pressed outwards.

Step 10

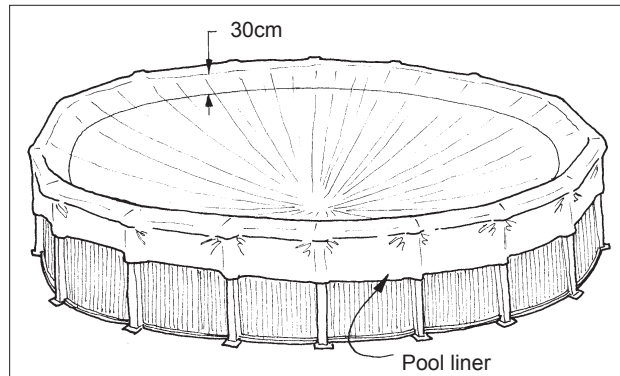


Remove the wooden stake and recheck the soil if there is gravel, glass or other sharp projections. Flatten foot prints and other unevenness. As a soil cover and extra protection of your pool lining, it is advisable to cover the soil with a water resistant sub-liner that you can glue with adhesive tape to the bottom side of the steel wall. Now place the internal

lining on the cover panel and check it according to the instructions.

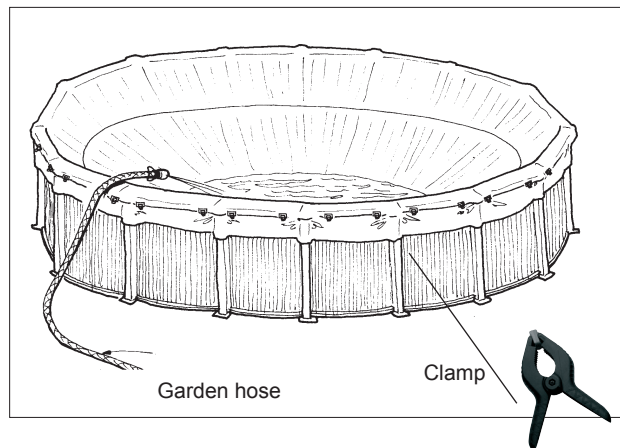
NB: The relief face of the internal lining is the water face.

Step 11



Work in both directions during the folding out of the liner and have the internal lining hang outside of the upper edge approximately 60 cm. The centre of the lining should hang approximately 40 cm above the bottom. The bottom welding seam of the liner should be located approximately 30 cm from the top (please refer to the drawing).

Step 12



Before filling up the pool, place binder clips between the studs at the top edge. These binder clips are available from the builder's merchant. Make sure that a piece of cardboard is placed between the binder clip and the internal lining; this is to protect the internal lining. The water pressure ensures in principle that your pool liner is placed smooth and tight. Check each time during filling that locally no excessive tension takes place on the liner. The binder clips do not

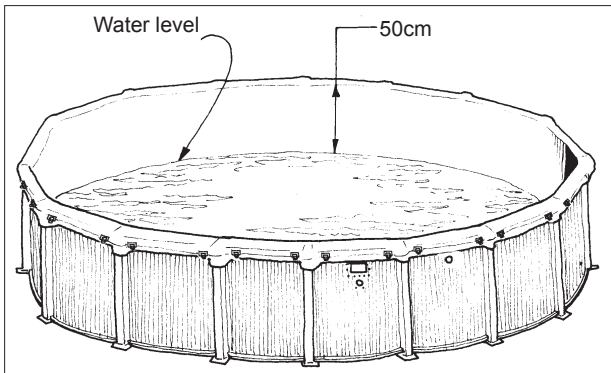
unclamp themselves; that is why during too high tension they should be gradually adjusted and refastened. Please note that a minimum tension is needed to make your bottom smooth. If the water covers the bottom ± 5 cm, no creases or wrinkles should be located on the bottom; should this be the case despite everything, then pull locally the top of the liner a bit, so that due to the water pressure the crease disappears. Keep the liner at a minimum tension until the bottom has been filled with approx. 15 cm water and the liner is flush against the steel wall.

Step 13

CONTINUE FILLING THE POOL

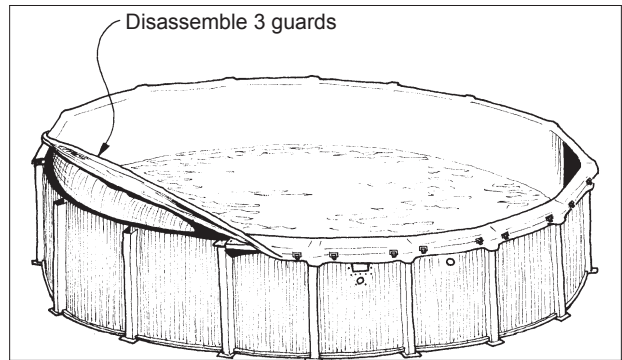
After the pool is filled up, the bottom welding seam of the liner has to be located as a whole in the vicinity of the junction of the bottom wall. You do not have to worry about the strength of the liner; the strength is calculated at 1.5 x the original size. If the bottom seam is not situated in the correct location, it is possible that you will not have sufficient liner to overhang outside the bottom edge, so that you then have to start over rearranging the liner.

Step 14



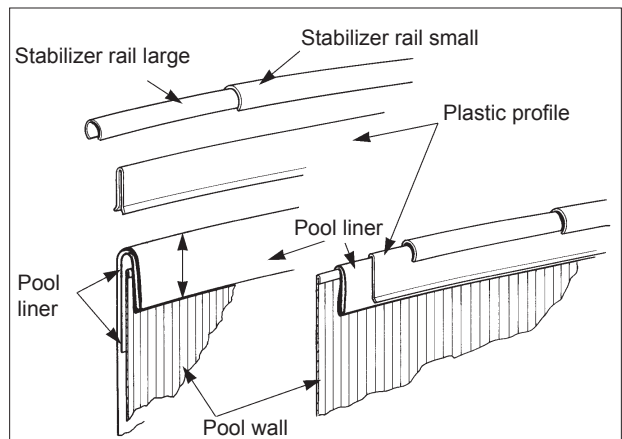
Fill the pool up to approximately 50 cm below the cover panel. Make sure that during the filling the liner does not fall back into the pool. Water between the liner and the steel wall can cause damage to the earth cove (please refer to Step 9). First complete Steps 15, 16 and 17 before you continue filling.

Step 15



With the aid of 2 or 3 people loosen the liner from 3 segments. Be careful and do not let the liner fall into the water. While 1 man holds the liner, the other one disassembles from 3 segments the guards from the guard panels and end caps (please refer to the drawing).

Step 16



Fold the overhanging part of the liner towards the outside of the steel wall and pull the whole liner tight (please refer to the drawing). Place the plastic profile strip all the way across the liner and on top of that the stabilizer rails, after you have slid those into each other ± 15 cm; then assemble all parts again which you had disassembled in Step 15 and repeat this process each time for 3 segments until you have completed the whole pool (please also refer to Figure A in Page 5).

Step 17

Now assemble the skimmer, inlet and filter as indicated on the instruction specifically included for that. Then continue filling the pool up to the indicated level on the skimmer plate.

SUPPLEMENTARY INSTRUCTIONS FOR BUILDING A POOL IN THE GROUND



To avoid that material rolls onto the site where the pool is to be constructed, the location where the pool is to be constructed must be in the most elevated part of the garden. The surrounding landscape should be lower than the pool. Attention, the water level of the pool should also be above the groundwater level during the winter (water level 15 cm below the inlet).

The specific installation such as seen in Figure 2 serves only as a reference and is not representative for all pool installations. The parts which may need special materials are the lighting and chloride installations.

EXCAVATING

1. The circumference of the excavation is the same as the size of the pool plus 60 cm around the whole pool. Determine the size of the excavation pertaining to the size of the pool and use for this the extensive installation instruction delivered with the pool. (Attention, the soil should be at least 15 cm white sand or stabilized sand; on top of that we recommend a layer of styrodur or a protective blanket.)
2. The depth of the excavation is dependent on the height of the pool and desired terrace. Use the size such as seen in Figure 1 to calculate how deep the excavation should be.
3. After the pool is excavated, the frame and the wall should be installed according to the installation instruction delivered with the pool.

INSTALLATION OF SKIMMER AND INLET

The skimmer and the inlet have to be installed before the pool is filled with water and before the pool is filled up with stabilized sand. During the installation of the internal lining and the skimmer, the lead through for the skimmer may not be created yet. Install the inlet and gasket. Remove the internal lining from the inlet opening and install the valve delivered with the skimmer.

PLUMBER'S WORK

In order to prevent that the hoses move up and down, you should connect the skimmer and the inlet with rigid PVC to the filter (Figure 2). If you are using flexpipe, you need to make sure that this pipe is not bent, before you fill up the rest of the pool. Install the pump as closely as possible to the pool in connection with the drawing in of the pump. If this pump is a Doughboy Pool Powerpack, then you should place it below the water level.

FILLING THE POOL

First fill the pool with water up to approximately 5 cm away from the top edge. This procedure is absolutely necessary to absorb the pressure performed on the wall during the application of stabilized sand. If the pool is not filled completely with water, this can cause pool failure.

SHUTTERING

We recommend that you apply a shuttering around the skimmer before the pool is filled up. A space around the skimmer and any other accessories offer the possi-

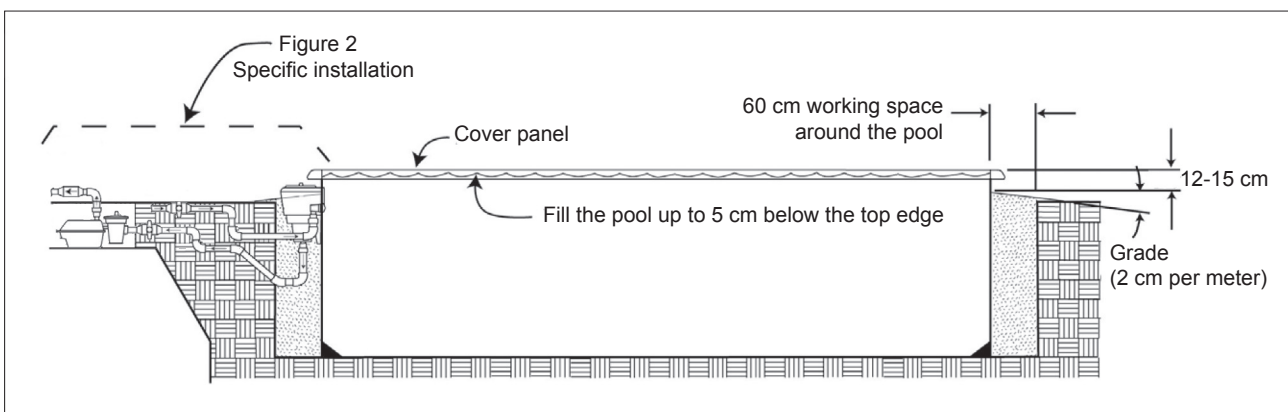


FIG. 1 - CONSTRUCTION PROVISIONS WHEN A POOL IS EXCAVATED

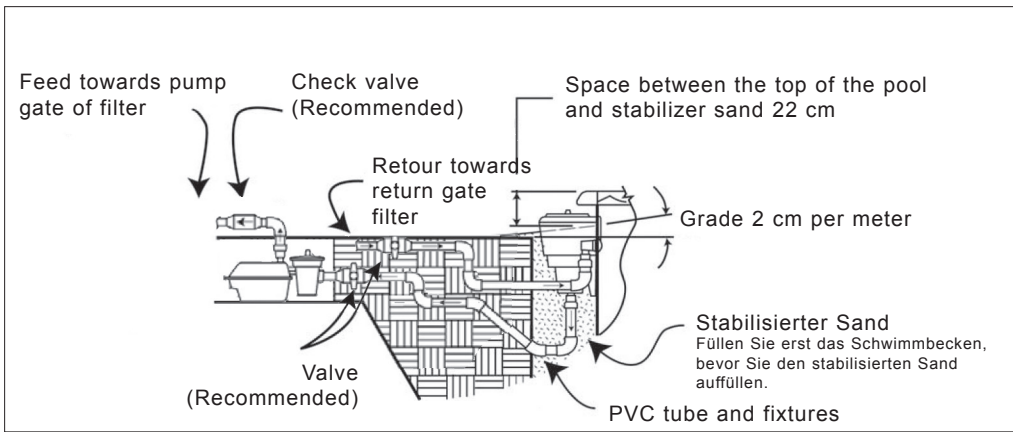


FIG. 2 SPECIFIC INSTALLATION

bility to have easy access for maintenance or repairs.
ATTENTION: If the filling up takes place immediately around the skimmer, it shall be more difficult in the future to check the skimmer during leaks.

Doughboy is in no way liable for the expenses pertaining to the finding and/or repairing of leaks, cutting, breaking off and/or removing of stabilizing sand.

PREPARATION OF STABILIZER SAND

Mixing ratio 1 m³ fluvial sand with 125 kg concrete.

IMPORTANT WARNING:

Regardless the method used for the way the stabilized sand is applied, you should pay close attention to the wall of the pool during filling to be sure that the wall does not collapse. If a dent occurs in the pool wall, someone should enter the pool to push it back.

If this is not possible, you should lower the pressure to the pool wall by removing the mixture used to fill up the pool locally again so that the dent can be removed. Then carefully fill up the pool again. You should at all times pay attention to the pool wall until the pool is completely filled up. To prevent rust on the pool wall, the water streaming out of the pool should immediately be removed from the pool wall. For this you should let the top layer run off at least 2 cm such as can be seen from the illustration. After the mixture has been applied completely, you should lower the water level to the top line of the skimmer opening and cut away the liner in the skimmer opening.

IMPORTANT MESSAGE:

Piling up of loose material between the mixture and the poor wall may push in the wall. If extra material is placed between the mixture and the cover material to get this at the correct height, you should only use a sturdy mortar.

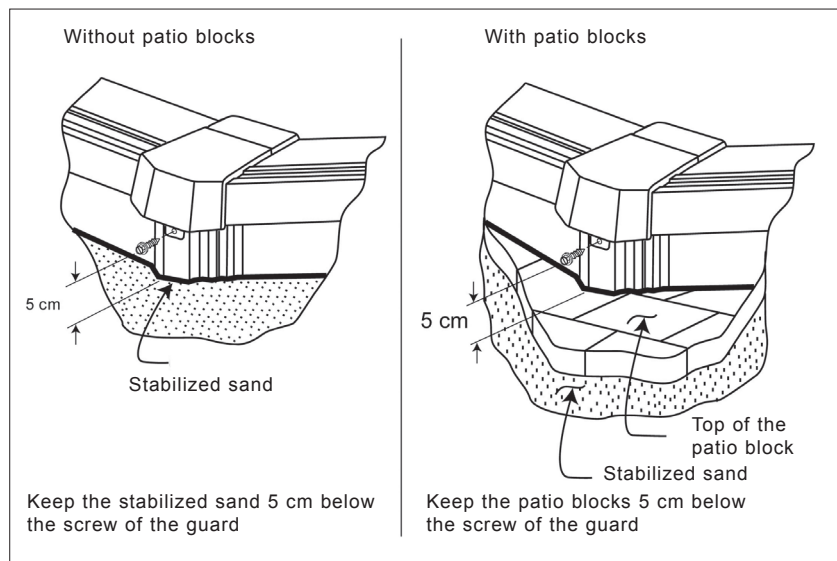


FIG.3 - WITH/WITOUT PATIO BLOCKS

STANDARD SKIMMER

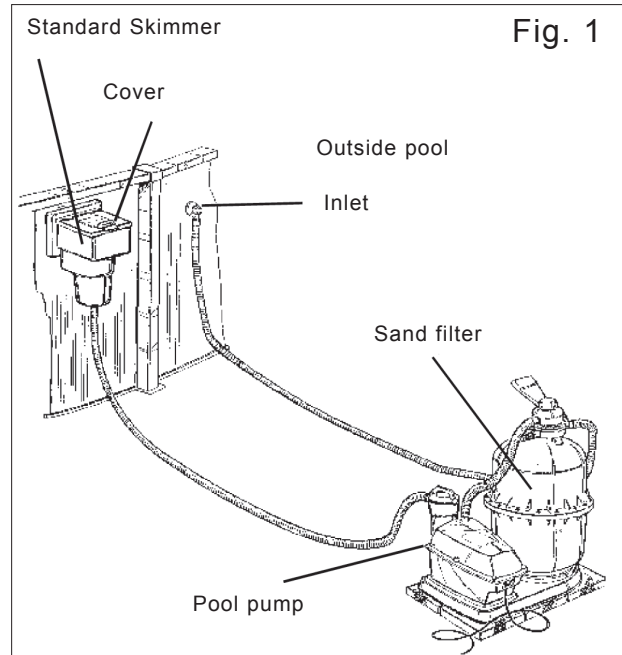
MODELS 5-2091-015 INSTALLATION INSTRUCTIONS



Your standard skimmer facilitates the maintenance of your pool. Leaves and floating refuse are taken out of the water and enter into the skimmer basket. Clean the basket regularly to continuously keep your pool clean and hygienic. The numbers indicated between the brackets refer to the numbers of the illustration (Fig 7).

Needed tools

- Crosshead screwdriver
- Screwdriver
- Stanley knife



PREPARATION OF THE POOL

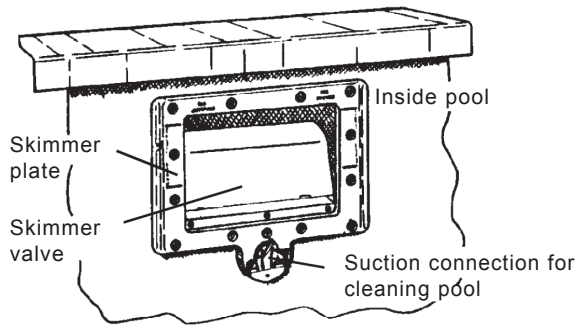
The pool should be built up the correct way based on the pool assembly and installation instructions. Approximately 70 cm water should press against the metal wall, so that there isn't any elasticity anymore against the liner, before the skimmer is installed.

ATTENTION: After the skimmer hole is cut open the liner can no longer be moved.

Skimmer installation

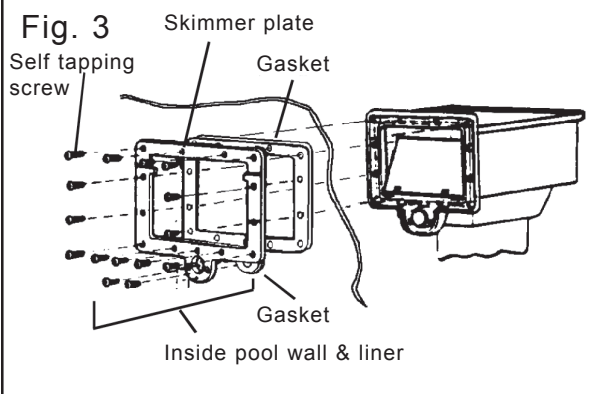
1. Remove all parts from the carton box. Remove the cover of the skimmer by sliding it to the front and then lifting it; remove the skimmer basket.
2. Fasten the skimmer valve (7) to the skimmer (3) by using three screws (8). Push the skimmer valve into the skimmer so that the foam side is facing the bottom.
3. Install the top skimmer gasket (9) into the square opening of the metal wall; make sure that the gasket is positioned properly in front of the holes. Then fasten the bottom gasket (10) into the vacuum connection. Place the skimmer plate on the inside of the pool, and keep the skimmer on the outside of the pool. First screw tight the top angles with two self tapping screws. Press the self tapping screws through the skimmer plate and press the liner into the openings of the skimmer. Lightly tighten the self tapping screws.

Fig. 2



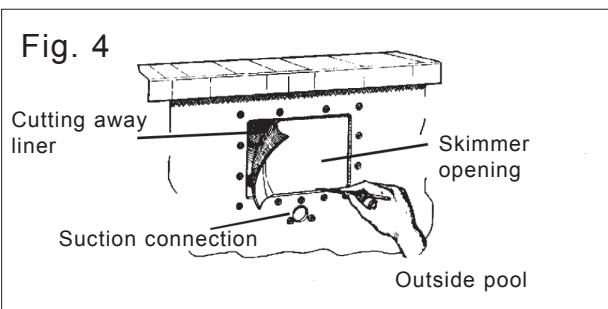
4. Screw the rest of the self tapping screws through the skimmer plate, liner, gaskets, wall and the corresponding openings in the skimmer. Tighten all self tapping screws manually; this to prevent damage to the skimmer plate. With a Stanley knife now cut away the liner on the inside of the skimmer plate; do the same with the vacuum inlet. (Fig 4)

Fig. 3



ATTENTION: The gasket around the vacuum connection (10) is necessary to ensure a watertight closure around the vacuum connection during the suctioning off of water. Attach the suction cover (12) and the attachment of the suction cover (11) to the skimmer plate with a screw (8).

Fig. 4



Installation inlet fixture

1. Install the gasket of the inlet (17) into the wall opening. Insert the inlet fixture (18) through the liner and the wall starting from the inside of the pool. Make a small notch into the liner and press the inlet fixture through.
2. Now screw the inlet (16) onto the inlet fixture; turn it clockwise until the inlet end points towards the bottom.
3. Install the eyeball inserted piece (20) into the eyeball (21). Insert the eyeball with the inserted piece into the inlet fixture, turn the closure (22) on top of that; make sure that the eyeball location stands in the water running off direction of the skimmer opening

WARNING: Always keep the water level between the water level signs on the skimmer plate.

After installation of the skimmer check if there are leaks when the pool is filled. Continuous leaks can cause damage to the pool wall, so that eventually there is pool failure.

VACUUMING

Empty the skimmer basket before suctioning.

1. Switch off the pump. Assemble the vacuum nozzle, handle and hose. A proper flexible hose provides the best suction results. Attach the free end to the vacuum adaptor (13).
2. Switch on the pump. Keep the free end of the hose against the outlet of the inlet fixture. Because of this air shall pass through the hose. When bubbles no longer exit from the vacuum nozzle, all air has been removed (please refer to Figure 5/6).

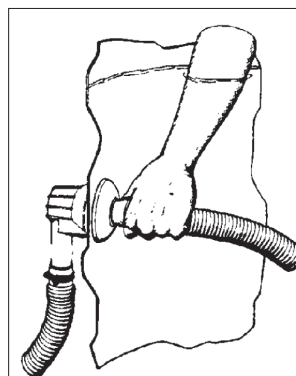
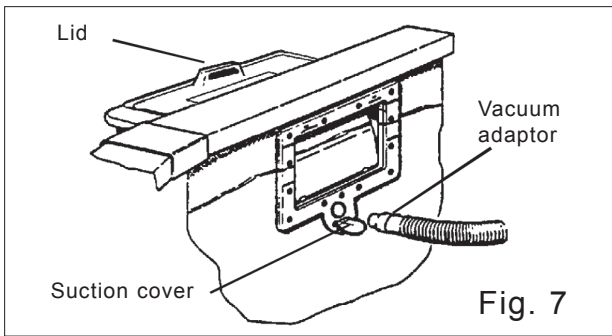


Fig. 5



Fig. 6



Warning: Never try to install the cover in a suctioning position if the pump is switched on. The cover might suddenly be pulled down due to the strong suction of the pump. You may suffer personal injury to your hands or fingers.

3. Fold the cover of the vacuum opening (12) so that it points towards the bottom. Insert the tapering end of the vacuum adaptor with the hose attached into the opening by making a turning movement (Fig. 7).
4. The cover (2) has two functions. In the normal position it covers the top of the filter. During suction, this same cover becomes the closing plate for suctioning; make sure that the pump is in the OFF position. Remove the cover, turn it 90° and let it drop to the inside and place it above the basket. Make sure that there is no air under the cover. Trapped air shall make the cover rise.

5. When the cover is in place, you can switch on the pump and put into operation the suction of the pool floor.
6. When you are finished suctioning, you have to switch off the pump. Remove the vacuum hose with the vacuum adaptor connected to it from the pool. Clean the skimmer basket and your filter. Relocate the cover to the original position on the top of the skimmer. Switch on the pump to resume the normal operation of the pump.

STANDARD SKIMMER PARTS

No.	Article	Amt	Description
1	1300-1002	1	Skimmer basket
2	1121-1506	1	Skimmer cover
3	1121-1864	1	Skimmer
4	360-1794	1	Sticker
5	1121-1358	1	Skimmer valve
6	340-1600	1	Attachment skimmer valve
7	1107-1275	1	Skimmer valve plus attachment
8	330-1008	4	Screws
9	307-1029	1	Top of gasket
10	307-1030	1	Bottom of gasket
11	340-2089	1	Attachment suction cover
12	348-1028	1	Suction cover
13	340-1590	1	Water suction adaptor
14	330-1004	15	Screws
15	340-2090	1	Skimmer plate
16	340-1591	1	Inlet
17	307-1031	1	Gasket inlet
18	340-1592	1	Inlet adaptor
19	340-1594	1	Closure disk
20	340-1595	1	Eyeball attachment
21	348-1027	1	Eyeball
22	340-1593	1	Closure for the inlet
23	360-2023	1	Operating Instructions Label

PREPARING FOR WINTER

When the swimming season is over, you have to follow the instructions to get your pool ready for winter.

ATTENTION! Do not remove all the water from your pool and also do not remove the liner. An empty pool can namely cause pool failure.

Lower the water level

- Lower the water level in your pool so that it is approximately 6" (15 cm) below the inlet fixture; maintain this water level by checking it regularly.
- If you have a skimmer, then absolutely do not let the water freeze in the skimmer but rather drain this water.

Check all screws and connections

- Make sure that all installation connections and parts are positioned correctly and that the pool wall is not moved away from the bottom rails.
- Make also sure that all connections are water tight.
Check if there is rust
- Correct all damages or rust spots with a varnish stick.

Check the liner (interior tarpaulin)

- Make sure that the top of the liner is still overhanging the pool wall attached to the plastic edge. Do not remove the liner from your pool. Upon removal of the liner of the pool the warranty becomes void. Do not pump dry all the water from the pool during the winter.

Leaks found

- Make sure that there aren't any leaks in the liner.
Leaks during the winter can cause serious damages to your pool.

Pool accessories

- Remove all pool accessories from the pool, including the ladder. Leave the skimmer and inlet fixture in place.

The filter

- Disconnect the filter from your pool and follow the filter instructions for maintaining the filter during the winter.
Clean the pump and the filter for the winter (frost free).



Anti-freeze liquid

This liquid can be used without problems in combination with chloride products. Upon finding algae present first apply a 'shock treatment.' The liquid should be dissolved in a pail of water, spread out equally across the water surface. During the dosage the pump should be in operation. The dosage is 0.5 litres per 10 m³, after approximately four weeks 0.3 litres per 10 m³.

ATTENTION! Never mix the liquid with other pool chemicals or chemicals and always add the product to water, never the other way around.

If you do not adhere closely to the winter instructions, the warranty of your pool may become void. Thus carefully adhere to all instructions for maintaining your pool during the winter.