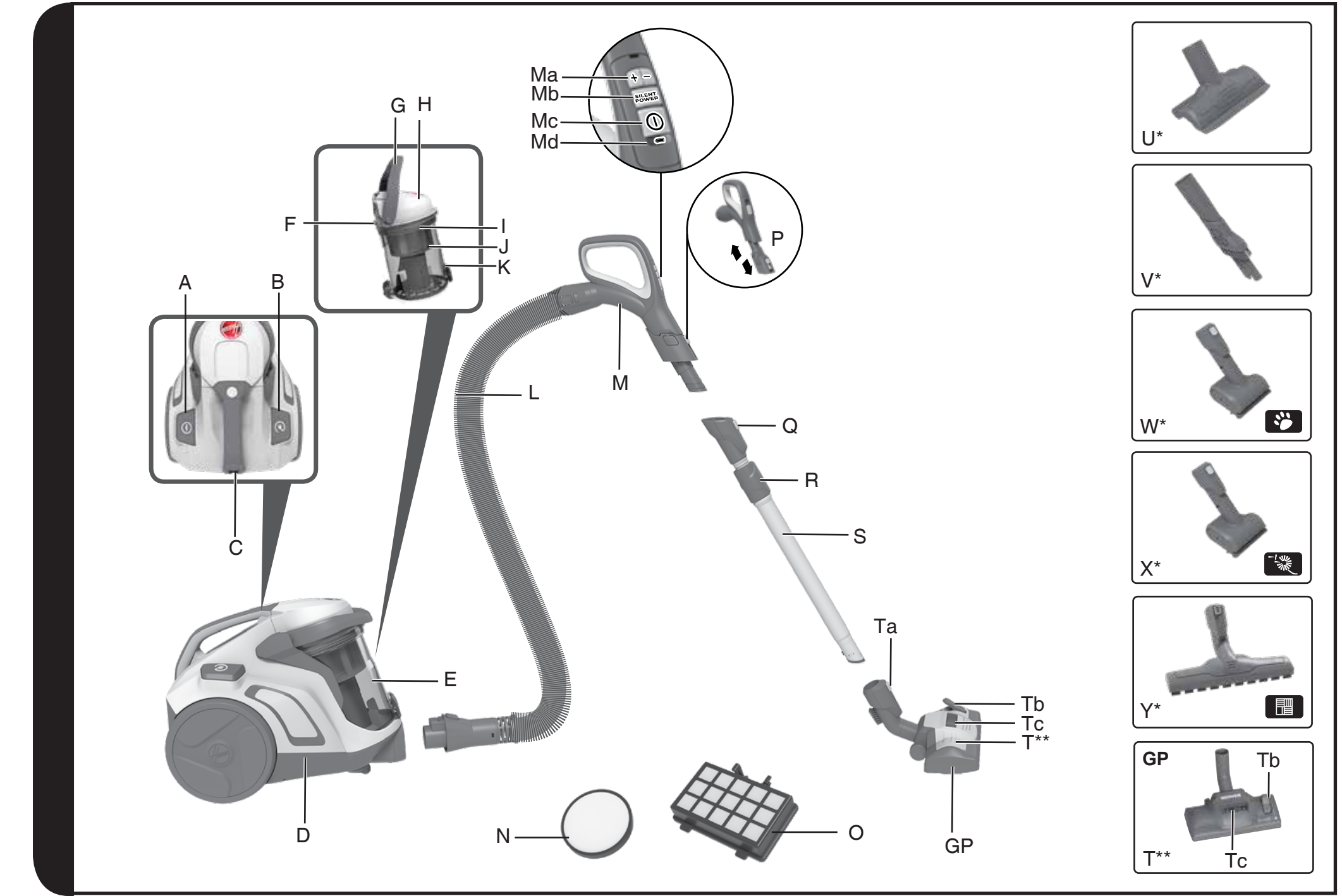


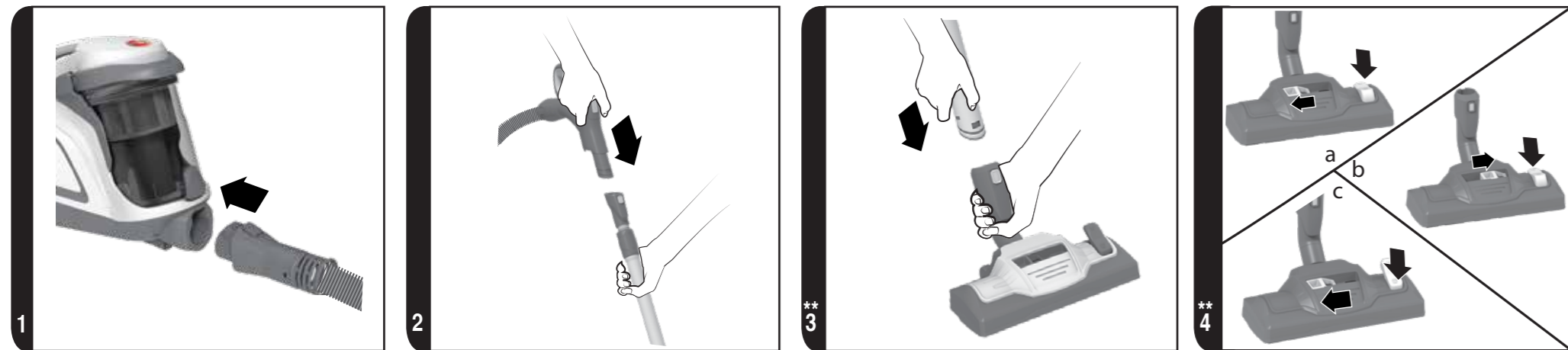


USER MANUAL (GB)P 01
 MANUEL D'UTILISATION (FR)P 05
 BEDIENUNGSANLEITUNG (DE)P 09
 MANUALE ISTRUZIONI (IT)P 13
 GEBRUIKERSHANDLEIDING (NL)P 17
 MANUAL DE INSTRUÇÕES (PT)P 21
 MANUAL DE INSTRUCCIONES (ES)P 25
 BRUGERVEJLEDNING (DK)P 29
 BRUKSANVISNING (NO)P 33
 INSTRUKTIONSMANUAL (SE)P 37
 ΚΑΥΤΤΟΗΓΕ (FI)P 41
 ΟΔΗΓΙΕΣ ΧΡΗΣΕΩΣ (GR)P 45
 РУКОВОДСТВО ПОЛЬЗОВАТЕЛЯ (RU)P 49
 INSTRUKCJA OBSŁUGI (PL)P 53
 NÁVOD K OBSLUZE (CZ)P 57
 NAVODILA ZA UPORABO (SI)P 61
 UŽIVATEĽSKÁ PRÍRUČKA (SK)P 65
 KULLANIM KILAVUZU (TR)P 69
 HASZNÁLATI ÚTMUTATÓ (HU)P 73

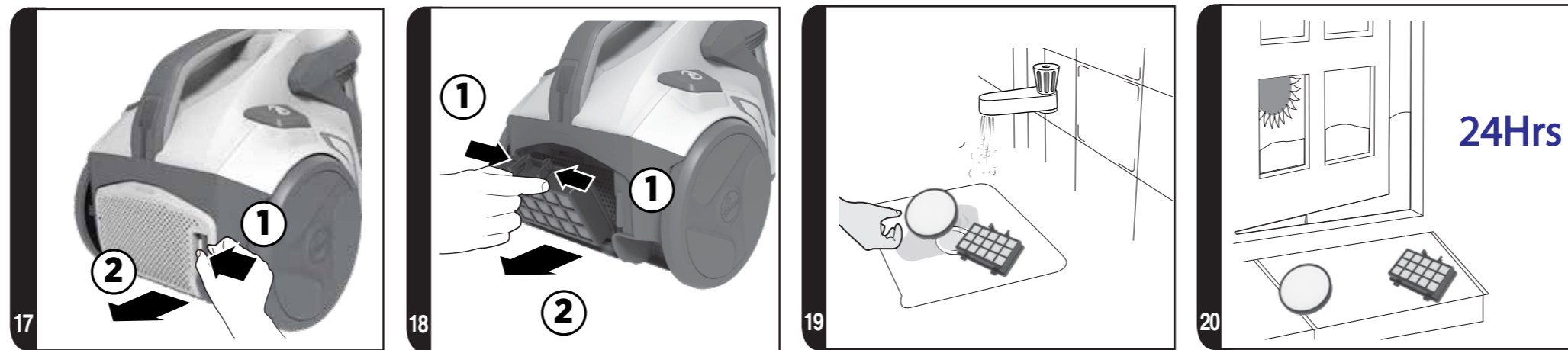
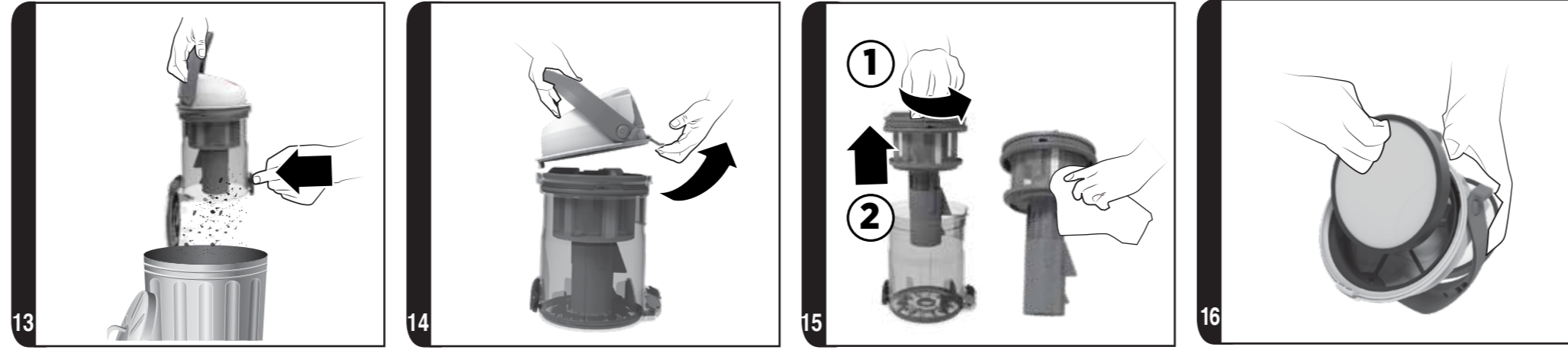
PRINTED IN P.R.C.
48033779



*Certain Models Only **May vary according to models



*Certain Models Only **May vary according to models



*Certain Models Only **May vary according to models

24Hrs

INSTRUCTIONS FOR SAFE USE

This appliance should only be used for domestic cleaning, as described in this user guide. Please ensure that this guide is fully understood before operating the appliance.

Do not leave the appliance plugged in. Always switch off and remove the plug from the socket after use, or before cleaning the appliance or any maintenance task.

This appliance can be used by children aged from 8 years and above and persons with reduced physical, sensory or mental capabilities or lack of experience and knowledge if they have been given supervision or instruction concerning use of the appliance in a safe way and understand the hazards involved. Children shall not play with the appliance. Cleaning and user maintenance shall not be made by children without supervision.

If the power cord is damaged stop using the appliance immediately. To avoid a safety hazard, an authorised HOOVER service engineer must replace the power cord.

Keep hands, feet, loose clothing and hair away from rotating brushes.

Use only attachments, consumables or spares recommended or supplied by HOOVER.

Static electricity: Some carpets can cause a small build up of static electricity. Any static discharge is not hazardous to health. Do not use your appliance out of doors or on any wet surface or for wet pick up.

Do not pick up hard or sharp objects, matches, hot ashes, cigarette ends or other similar items.

Do not spray with or pick up flammable liquids, cleaning fluids, aerosols or their vapours.

Do not run over the power cord when using your appliance or remove the plug by pulling on the power cord.

Do not continue to use your appliance if it appears faulty.

Do not stand on or wrap the cord around arms or legs when

using your appliance.

Do not use the appliance to clean animals or people.

Do not position the appliance above you when cleaning the stairs.

Keep batteries away from children.

If a battery is swallowed, immediately consult a doctor.

Exhausted batteries are to be removed from the appliance and safely disposed of.

If the appliance is to be stored unused for a long period, the batteries should be removed and stored safely.

If the appliance is to be disposed of the batteries must first be removed.

The appliance must be disconnected from the supply mains when removing the battery.

Dispose of the batteries safely.

Use only battery type Lithium CR2032 3V. Non-rechargeable type.

Batteries are to be inserted with the correct polarity: The positive pole “+” is on the top side. [21]

Non-rechargeable batteries are not to be recharged.

The battery terminals are not to be short-circuited.

HOOVER service: To ensure the continued safe and efficient operation of this appliance we recommend that any servicing or repairs are only carried out by an authorised HOOVER service engineer.

The Environment

The symbol on this appliance indicates that this appliance may not be treated as household waste. Instead it must be handed over to the applicable collection point for the recycling of electrical and electronic equipment. Disposal must be carried out in accordance with local environmental regulations for waste disposal. For more detailed information about treatment, recovery and recycling of this appliance, please contact your local city office, your household and waste disposal service or the shop where you purchased the appliance.



Frequency bands	300Mhz ~ 450Mhz
Maximum RF power transmitted in the frequency band	11 dBm

Hereby, Candy Hoover Group Srl declares that the radio equipment is in compliance with Directive 2014/53/EU. The full text of the EU declaration of conformity is available at the following internet address: www.candy-group.com

CANDY HOOVER GROUP S.r.l. Via Privata Eden Fumagalli, 20861 Brugherio (MB) Italy

GETTING TO KNOW YOUR CLEANER

- | | |
|-------------------------------------------------------------|----------------------------------------------------------------------------------------------------|
| A. On / Off Power Control Button | N. Pre-motor Filter |
| B. Cord Reel Button | O. Exhaust Filter |
| C. Parking Slot | P. Integrated Accessories onto the handle: Built-in Crevice Tool, Dusting Brush and Furniture Tool |
| D. Cleaner Main Body | Q. Telescopic Tube Secure Connection |
| E. Dust Bin Assembly | R. Telescopic Tube Adjuster |
| F. Dust Bin Lid Opening Latch | S. Telescopic Tube |
| G. Dust Bin Release Handle | T. Carpet and Floor Nozzle** (GP) |
| H. Dust Bin Lid | Ta. Carpet and Floor Nozzle Secure Connection |
| I. Separation System with integrated Shroud Cleaning System | Tb. Floor Type Selector Pedal |
| J. Dust Bin | Tc. Nozzle Suction Regulator |
| K. Dust Bin flap Release Button | U. Advanced Furniture Nozzle* |
| L. Hose | V. Long 2in1 Tool* |
| M. Hi-Controller Remote Control Handle with Soft Grip: | W. Mini Turbo Dual Action Pet Hair Remover Nozzle* |
| Ma. Variable Power Control Buttons | X. Mini Turbo Dual Action Allergen Remover Nozzle* |
| Mb. Silent Power Button | Y. Parquet Extra Care Nozzle* |
| Mc. On/Off Button | |
| Md. Led Battery Indicator of Handle's Remote Control | |

ASSEMBLING YOUR CLEANER

Remove all components from the packaging.

1. Connect the hose to the cleaner main body, ensuring it clips and locks into position. To release: simply press the buttons on the hose end and pull. [1]
2. Connect the hose handle to the end of the extension tube upper, or accessories* if required. [2]
3. Connect the extension tube lower to the carpet and floor nozzle**, [3] or accessories* if required.

* Certain Models Only ** May vary according to model

USING YOUR CLEANER

1. Extract power cord and plug it into the power supply. Do not pull the cord beyond the red marker. [6]
2. Adjust the length of the telescopic tube by moving the telescopic tube adjuster up and raise or lower the hose handle to the most comfortable cleaning position. [5]
3. Carpet & Floor Nozzle**. Press the pedal on the nozzle [7] to select the ideal cleaning mode for the floor type.

Hard Floor: The brushes are lowered to protect the floor.

Carpet: With lifted brushes for the deepest clean.

Carpet & Floor Nozzle**: [4]

- **Hard floor Cleaning:** Press the floor type selector pedal on the nozzle on Hard Floor mode and adjust the nozzle suction regulator to open [4a] or close [4b] position for the most comfortable cleaning position. In this position brushes are lowered to protect hard floors.
 - **Carpet Cleaning:** Press the floor type selector pedal on the nozzle on Carpet mode and adjust the nozzle suction regulator to open position. In this position brushes are raised for a deeper cleaning of your carpet. [4c] It's suggested to open the nozzle suction regulator on carpet to allow a better sliding.
4. Switch the cleaner on by pressing the On/Off button on the cleaner main body [8] or pressing the On/Off button on the hose handle. [9]
 5. **Variable Power Control** - Adjust the power level by pressing the variable power control buttons on the hose handle. [9]

Hi-Controller Handle Settings: [9, M]

- **Turn the cleaner on/off:** press the on/off button.
- **Variable power control:** press the "+, -" buttons to adjust the power.
- **Silent Power Mode:** press the silent power button to clean thoroughly at a reduced noise level.

Integrated accessories on the handle: [P, M]

- **Built-in Crevice Tool:** The hose handle end can be used as a crevice tool to reach narrow spaces.
 - **Furniture Tool:** Press the latches on both sides of the handle and slide downwards to release the furniture tool to clean soft surfaces and textiles (curtains, upholstery).
 - **Dusting Brush:** Press the latches on both sides of the handle and slide downwards, then push the slider to the end to release the built-in dusting brush. Ideal for hard surfaces (bookshelves, keyboards, skirting boards).
6. Switch off at the end of use by pressing the On/Off Button on the cleaner main body or On/Off Button on the hose handle. Unplug and rewind the power cord by pressing the cord reel button.
 7. Parking and storage - The tube can be parked for temporary storage while in use, or in the storage position when not in use. [11]

ACCESSORIES

To obtain the best performance and efficiency it is recommended that the correct nozzles are used for the main cleaning operations. These nozzles are indicated in the diagrams by the letters **GP**, **HF** or **CA**.

A nozzle type **GP** can be used to clean both carpet and hard floor.

A nozzle type **HF** is suitable for use only on hard floor.

A nozzle of type **CA** is suitable for use only on carpet.

The other nozzles are accessories for specialist cleaning tasks and are recommended for occasional use only.

All accessories can be fitted to the end of the handle* or the end of the telescopic tube*.

Accessory Set**:

Crevice Tool – For corners and hard to reach areas.

Furniture Nozzle – For soft furniture and fabrics.

Dusting Brush – For bookshelves, frames, keyboards and other delicate areas.

Dual Action Pet Hair Remover Nozzle* [W] – Use the mini turbo nozzle on stairs or for deep cleaning on textile surfaces and other hard to clean areas. Particularly suitable for pet hairs removal.

Dual Action Allergen Remover Nozzle* [X] – Use the mini turbo nozzle on stairs or for deep cleaning on textile surfaces and other hard to clean areas, particularly suitable for allergen removal.

Parquet Extra Care* [Y] – For parquet floors and other delicate floors.

Long 2in1 Tool* [V] – Crevice tool and dusting brush - It allows to clean hard-to-reach areas such as bookshelves and high corners.

IMPORTANT: Do not use mini turbo nozzles on rugs with long fringes, animal hides and carpet pile deeper than 15mm. Do not keep the nozzle stationary while brush is rotating.

CLEANER MAINTENANCE

Emptying the Dust Bin

When the dust reaches the max level indicator on the container, empty the dust bin.

IMPORTANT: To maintain optimum performance do not allow the dust exceed the max level indicator.

1. Switch the cleaner off by pressing the On/Off button on the cleaner main body [8] or pressing the On/Off button on the hose handle [9], and unplug the power cable.
2. Lift the dust bin release handle and remove the dust bin assembly from the cleaner. [12]
3. Hold the dust bin with one hand and with the other hand press the dust bin flap release button. [13]
4. Close the dust bin flap and refit the dust bin assembly to the cleaner main body.

Cleaning the washable filters

The cleaner is fitted with a blue filter pack. To maintain optimum cleaning

performance regularly remove the filters and tap against the side of the bin to release dust. The filters should be washed every 5 bin empties or when the filter has excessive dust level.

IMPORTANT: All bagless cleaners require regular filter cleaning. Failure to clean your filters may result in air blockage, overheating and product failure. This may invalidate your guarantee.

IMPORTANT: Regularly check and maintain the filters.

IMPORTANT: Always ensure the filter pack is fully dry before use.

To access the pre-motor filter:

1. Lift the dust bin release handle and remove the dust bin assembly from the cleaner. [12]
2. Hold the dust bin with one hand and with the other hand lift the dust bin lid opening latch to open the bin lid. [14]
3. Remove the pre-motor filter located in the bin lid. [16]
4. Gently tap and wash the pre-motor filter. Do not use hot water or detergents. Remove excess water from the filter and leave to dry fully before re-using. [19, 20]
5. Reassemble the pre-motor filter to the dust bin lid once fully dry and refit to the cleaner.

To access the exhaust filter:

1. Unclip the exhaust filter cover from the rear of the cleaner main body. [17]
2. Remove the exhaust filter from the rear of the cleaner. [18]
3. Gently tap and wash the filter using warm water. Do not use hot water or detergents. Remove excess water from the filter and leave to dry fully before re-using. [19, 20]
4. Refit the exhaust filter to the rear of the cleaner once fully dry and refit the exhaust filter cover.

IMPORTANT: Do not use the product without the filter pack fitted.

Cleaning the dust bin / separation unit

This cleaner uses a separation system and shroud cleaning system unique to Hoover. If necessary the separation unit can be disassembled from the dust bin and cleaned.

1. Lift the dust bin release handle and remove the dust bin assembly from the cleaner. [12]
2. Hold the dust bin with one hand and with the other hand lift the dust bin lid opening latch to open the dust bin lid. [14]
3. Remove the separation system (including the integrated shroud cleaning system) from the dust bin. [15]
4. If necessary, use a cloth to remove excessive dust from the separation system (including the integrated shroud cleaning system).
5. Place the dust bin under tap water. Rinse with lukewarm water. Wash internal surfaces of the dust bin with water only. DO NOT use soap detergents to wash the internals of the dust bin.
6. Reassemble the internal component to the dust bin, ensuring all components are dry.
7. Close over the dust bin lid and refit dust bin assembly to cleaner.

Removing a blockage

1. Check if the dust bin is full. If so refer to 'Emptying the dust bin'.
2. If the dust bin is empty but suction is still low:
 - A. Do the filters need cleaning? If so refer to 'Cleaning the washable filters'.
 - B. Check if there is any other blockage in the system - Use a rod or pole to remove anyblockage from the extension tube or flexible hose.
 - C. Check if pre-motor filter is fitted.
 - D. Check if the separation unit needs to be cleaned. Refer to 'Cleaning the separation unit'.

Subject to change without notice.

USER CHECKLIST

Should you have a problem with the product, complete this simple user checklist before calling your local Hoover service.

- Is there a working electricity supply to the cleaner? Please check with another electrical appliance.
- Is the dust container over-filled? Please refer to 'Cleaner Maintenance'.
- Is the Filter blocked? Please refer to 'Cleaning the filter'.
- Is the hose or nozzle blocked? Please refer to 'Removing a blockage from the system'.
- Has the cleaner overheated? If so, it will take approximately 30 minutes to automatically reset.

IMPORTANT INFORMATION

Hoover spares and Consumables

Always replace parts with genuine Hoover spares. These are available from your local Hoover dealer or direct from Hoover. When ordering parts always quote your model number.

Hoover Service

Should you require service at any time, please contact your local Hoover Service Office.

Quality

BSI ISO 9001

Hoover's factories have been independently assessed for quality. Our products are made using a quality system which meets the requirements of ISO 9001.

Your Guarantee

The guarantee conditions for this appliance are as defined by our representative in the country in which it is sold. Details regarding these conditions can be obtained from the dealer from whom the appliance was purchased. The bill of sale or receipt must be produced when making any claim under the terms of this guarantee.

INSTRUCTIONS DE SÉCURITÉ D'UTILISATION

Cet appareil ne doit être utilisé que pour un nettoyage domestique, conformément à ce guide d'utilisation. Veuillez vous assurer que ces instructions sont parfaitement comprises avant d'utiliser l'appareil. Ne laissez pas l'appareil branché. Éteignez et débranchez toujours l'appareil après l'avoir utilisé, ou avant de le nettoyer ou de procéder à son entretien.

Cet appareil peut être utilisé par des enfants âgés d'au moins 8 ans et par des personnes ayant des capacités physiques, sensorielles ou mentales réduites, ou n'ayant pas d'expérience ou de connaissances en la matière. Ces dernières doivent recevoir des instructions sur l'utilisation de l'appareil en toute sécurité et comprendre les risques impliqués. Les enfants ne doivent pas jouer avec l'appareil.

Le nettoyage et l'entretien ne devraient pas être effectués par des enfants sans supervision.

Si le cordon d'alimentation est endommagé, arrêtez immédiatement d'utiliser l'appareil. Pour éviter les risques d'accident, un réparateur HOOVER agréé doit remplacer le cordon d'alimentation.

Maintenez les mains, pieds, vêtements et cheveux à distance des brosses rotatives.

N'utilisez que les accessoires, consommables ou pièces détachées recommandés ou fournis par HOOVER.

Électricité statique : Certains tapis/moquettes peuvent entraîner une petite accumulation d'électricité statique. Les décharges d'électricité statique ne sont pas dangereuses pour la santé.

N'utilisez pas votre appareil à l'extérieur, sur une surface humide ou aspirer des débris humides.

N'aspirez pas d'objets durs ou tranchants, d'allumettes, de cendres chaudes, de mégots de cigarettes ou d'autres objets similaires.

Ne pulvérisez ou n'aspirez pas de liquides inflammables, des produits d'entretien liquides, des aérosols ou leurs vapeurs.

Ne marchez pas sur le cordon d'alimentation lorsque vous utilisez votre appareil et ne le débranchez pas de la prise en tirant sur le cordon d'alimentation.

Ne continuez pas à utiliser votre appareil s'il semble défectueux. Ne marchez pas sur le cordon d'alimentation ou ne l'enroulez

pas sur vos bras ou vos jambes quand vous utilisez l'appareil. N'utilisez pas l'appareil sur des personnes ou des animaux.

Lors du nettoyage des escaliers, ne placez pas l'appareil dans une position plus haute que la vôtre.

Ne laissez pas les batteries à la portée des enfants.

Au cas où une batterie a été avalée, consultez immédiatement un médecin.

Les batteries usagées doivent être retirées de l'appareil et soigneusement mises au rebut.

Au cas où l'appareil doit être rangé sans être utilisé pendant une période prolongée, les batteries doivent être retirées et rangées dans un endroit sûr.

Si vous mettez l'appareil à la poubelle, il convient de retirer les batteries d'abord.

L'appareil ne doit pas être branché à la prise lorsque vous retirez les batteries.

Jetez les batteries dans un endroit sûr.

Utilisez uniquement les batteries de type lithium CR2032 3V. Type non rechargeable.

Les batteries doivent être insérées avec la bonne polarité : le pôle positif "+" se place sur la partie supérieure. [21]

Les batteries non rechargeables ne doivent pas être rechargées. Les bornes de la batterie ne doivent pas être court-circuitées.

Service HOOVER : Pour assurer l'utilisation sûre et efficace de cet appareil, nous recommandons de n'en confier l'entretien ou les réparations qu'à un réparateur HOOVER agréé.

Environnement

Le symbole figurant sur cet appareil indique qu'il ne peut pas être considéré comme une ordures ménagère. Vous devez le déposer dans un centre de recyclage des déchets électriques et électroniques. La déposition doit être effectuée conformément à la réglementation locale en matière de déchets.



Pour obtenir des compléments d'information sur le traitement, la récupération et le recyclage de cet appareil, veuillez contacter votre municipalité, le service local d'élimination des ordures ménagères ou le revendeur de l'appareil.

Bandes de fréquence	300Mhz ~ 450Mhz
Puissance RF maximale transmise sur la bande de fréquence	11 dBm

Par la présente, Candy Hoover Group Srl déclare que l'équipement radio est conforme à la directive 2014/53/UE. Le texte intégral de la déclaration de conformité de l'UE est disponible à l'adresse internet suivante : www.candy-group.com.

CANDY HOOVER GROUP S.r.l. Via Privata Eden Fumagalli, 20861 Brugherio (MB) Italy

CONNAITRE VOTRE ASPIRATEUR

- | | |
|----------------------------------------------------------------------|---------------------------------------------------------------------------------------------------------|
| A. Bouton Marche / Arrêt / Variateur de puissance | Md. Indicateur de batterie LED de la télécommande de la poignée |
| B. Bouton d'enroulement du cordon | N. Filtre pré-moteur |
| C. Fente de rangement | O. Filtre d'évacuation |
| D. Corps principal de l'aspirateur | P. Accessoires intégrés à la poignée : Suceur plat encastré, Brosse à poussière et accessoire de meuble |
| E. Ensemble de bac à poussière | Q. Connexion sécurisée du tube télescopique |
| F. Loquet d'ouverture du couvercle du bac à poussière | R. Bouton de réglage du tube télescopique |
| G. Poignée de déverrouillage du bac à poussière | S. Tube télescopique |
| H. Volet du bac à poussière | T. Brosse pour moquette et sol dur** (GP) |
| I. Système de séparation avec système intégré de nettoyage du carter | Ta. Connexion sécurisée de la brosse moquette et sol |
| J. Cassette de poussière | Tb. Sélecteur de type de sol |
| K. Bouton de verrouillage du volet du bac à poussière | Tc. Régulateur aspiration buse |
| L. Flexible | U. Buse avancée pour meubles* |
| M. Dispositif de commande Hi de télécommande avec manche souple | V. Accessoire long 2 en 1* |
| Ma. Boutons de contrôle de puissance variable : | W. Mini turbobrosse pour élimination des poils d'animaux domestiques à double action* |
| Mb. Bouton de puissance silencieuse | X. Mini turbobrosse pour élimination des allergènes à double action* |
| Mc. Commutateur Marche/Arrêt | Y. Brosse parquet Extra Care* |

MONTAGE DE L'ASPIRATEUR

Sortez tous les composants de l'emballage.

- Raccordez le flexible à l'aspirateur en veillant à ce qu'il se fixe bien et se verrouille correctement. Pour le détacher : il suffit d'appuyer sur les boutons du tuyau et de tirer. [1]
- Connectez la poignée du tuyau à l'extrémité supérieure du tube de rallonge, ou aux accessoires*, si nécessaire. [2]
- Connectez l'extrémité inférieure du tube de rallonge à la brosse** [3] combinée sols durs et moquettes ou aux accessoires*, si nécessaire.

* Sur certains modèles uniquement

** Peut varier selon le modèle

UTILISATION DE L'APPAREIL

- Sortez le cordon d'alimentation et branchez-le sur la prise d'alimentation. Ne sortez pas le cordon au-delà du repère rouge. [6]
- Régler le tube télescopique à la hauteur désirée en déplaçant le régleur tube télescopique en l'élevant ou abaissant la poignée à la position de nettoyage la plus confortable. [5]
- Brosse moquette et sol dur**. Appuyez sur la pédale de la brosse [7] pour sélectionner le mode d'aspiration idéal pour le type de sol.
Sol dur : Les brosses sont baissées pour protéger le sol.
Moquette : Les brosses sont relevées pour une aspiration en profondeur.

Brosse moquette et sol dur** : [4]

- **Dépoussiérage sur sols durs** : Appuyez sur la pédale de sélection du type de sol sur la buse en mode Sol dur et réglez le régulateur d'aspiration de la buse sur la position ouverte [4a] ou fermée [4b] pour obtenir la position de nettoyage la plus confortable. Dans cette position, les brosses sont abaissées pour protéger les planchers durs.
 - **Nettoyage de moquette** : Appuyez sur la pédale de sélection du type de sol sur la buse en mode Moquette et réglez le régulateur d'aspiration de la buse sur la position ouverte. Dans cette position, les brosses sont soulevés pour un nettoyage en profondeur de votre moquette. [4c] Il est suggéré d'ouvrir le régulateur d'aspiration de la buse sur la moquette pour permettre un meilleur glissement.
- Allumez l'aspirateur en appuyant sur le bouton On/Off du corps principal de l'aspirateur [8] ou en appuyant sur le bouton On/Off de la poignée de tuyau. [9]
 - Variateur de puissance** - Ajustez le niveau de puissance en appuyant sur les boutons de contrôle de puissance variable sur la poignée de tuyau. [9]

Réglages de la poignée Hi-Controller : [9, M]

- **Allumez/Éteignez l'aspirateur** : Appuyez sur le bouton Marche/Arrêt.
- **Contrôle de puissance variable** : Appuyez sur les boutons "+", "-" pour ajuster la puissance.
- **Mode de puissance silencieuse** : Appuyez sur le bouton de puissance silencieuse pour un nettoyage en profondeur à un faible niveau sonore.

Accessoires intégrés à la poignée : [P, M]

- **Suceur intégré** : L'extrémité du flexible peut être utilisée comme suceur plat pour atteindre les espaces étroits.
- **Accessoire de meuble** : Appuyez sur les loquets des deux côtés de la poignée et faites-les coulisser vers le bas pour libérer l'accessoire de meuble afin de nettoyer les surfaces souples et les textiles (rideaux, tapisserie).
- **Brosse meuble** : Appuyez sur les loquets des deux côtés de la poignée vers le bas, puis poussez le variateur jusqu'à l'extrémité pour relâcher la brosse à poussière encastrée. Idéale pour les surfaces dures. (étagères, claviers, plinthes).

- Éteignez l'appareil quand vous avez fini de l'utiliser en appuyant sur le bouton On/Off du corps principal de l'aspirateur ou le bouton On/Off de la poignée de tuyau. Débranchez et enrôlez le cordon d'alimentation en appuyant sur le bouton d'enroulement du cordon.
- Parking et rangement - Le tube peut être mis en position « parking » pour l'immobilisation temporaire pendant l'utilisation, ou en position « rangement » lorsque l'aspirateur n'est pas utilisé. [11]

ACCESSOIRES

Pour obtenir la meilleure performance et efficacité énergétique, il est conseillé d'utiliser les bonnes brosses pour les principales opérations de nettoyage. Ces brosses sont indiquées dans les diagrammes par les lettres **GP**, **HF** ou **CA**.

Le type de brosse **GP** peut être utilisé pour nettoyer la moquette et les sols durs.

Le type de brosse **HF** n'est adapté que pour les sols durs.

Le type de brosse **CA** n'est adapté que pour les moquettes.

Les autres brosses sont des accessoires de nettoyage spécialisés et sont conseillées pour des usages occasionnels uniquement.

Tous les accessoires s'adaptent à la poignée* du flexible ou à l'extrémité du tube* télescopique.

Jeu d'accessoires**:

Suceur plat – Pour coins et endroits difficiles d'accès.

Petit suceur – Pour tissus d'ameublement.

Brosse meuble – Pour étagères, cadres, claviers et autres surfaces délicates.

Brosse pour élimination des poils d'animaux domestiques à double action* [W] –

Mini turbo brosse pour escaliers ou nettoyage en profondeur des surfaces textiles et autres surfaces difficiles à aspirer. Particulièrement efficace pour éliminer les poils d'animaux.

Brosse pour élimination des allergènes à double action* [X] – Utilisez la mini turbo brosse pour le nettoyage en profondeur des surfaces textiles et autres surfaces difficiles à nettoyer, particulièrement efficace pour éliminer les allergènes.

Brosse parquet Extra Care* [Y] – Pour parquets et autres sols délicats.

Accessoire long 2 en 1* [V] – Suceur plat et brosse à poussière - Il permet de nettoyer les recoins difficiles d'accès tels que les étagères et les coins en hauteur.

IMPORTANT : N'utilisez pas les suceurs mini turbo sur les tapis à franges longues, les peaux d'animaux ou les moquettes à poils de plus de 15 mm de longueur. Ne pas laisser la brosse fixe au sol lorsque la turbo brosse est activé.

ENTRETIEN DE L'ASPIRATEUR

Vider le bac à poussière

Lorsque la poussière atteint le repère de niveau maximum, videz le bac à poussière.

IMPORTANT : Afin de maintenir la performance optimale de l'appareil, ne laissez pas la

poussière s'accumuler au-delà du niveau maximum.

- Éteignez l'aspirateur appuyant sur le bouton On/Off du corps principal de l'aspirateur [8] ou en appuyant sur le bouton On/Off de la poignée de tuyau [9], et débranchez le câble d'alimentation.
- Soulevez la poignée de déverrouillage du bac à poussière et retirez l'ensemble bac à poussière de l'aspirateur. [12]
- Tenez le bac à poussière d'une main et de l'autre main, appuyez sur le bouton de détachement du volet du bac à poussière. [13]
- Fermez le volet du bac à poussière et remontez l'ensemble bac à poussière sur le corps principal de l'aspirateur.

Nettoyage des filtres lavables

L'aspirateur est pourvu d'un jeu de filtres bleus. Pour une performance optimale d'aspiration, retirez régulièrement les filtres et les tapoter contre le côté du bac pour décoller la poussière. Les filtres doivent être lavés après avoir vidé 5 fois le bac à poussière ou lorsqu'ils sont encrassés.

IMPORTANT : Tous les aspirateurs sans sac nécessitent un nettoyage régulier du filtre. Un défaut de nettoyage des filtres peut entraîner un blocage d'air, une surchauffe et un défaut du produit. Ceci peut annuler votre garantie.

IMPORTANT : Contrôlez et entretenez régulièrement les filtres.

IMPORTANT : Veillez toujours à ce que le jeu de filtres soit bien sec avant utilisation.

Pour accéder au filtre pré-moteur

- Soulevez la poignée de déverrouillage du bac à poussière et retirez l'ensemble bac à poussière de l'aspirateur. [12]
- Tenez le bac à poussière d'une main et de l'autre main, soulevez le loquet d'ouverture du couvercle du bac à poussière pour l'ouvrir le bac à poussière. [14]
- Retirez le filtre pré-moteur placé sur le volet du bac. [16]
- Tapotez doucement et lavez le filtre pré-moteur. N'utilisez pas d'eau chaude ou de détergents. Éliminez l'excédent d'eau du filtre et laissez-le sécher complètement avant de le réutiliser. [19, 20]
- Remontez le filtre pré-moteur sur le volet du bac à poussière une fois qu'il est entièrement sec et remettez-le sur l'aspirateur.

Pour accéder au filtre d'évacuation

- Déclipez le couvercle du filtre d'évacuation de l'arrière du corps principal de l'aspirateur. [17]
- Retirez le filtre d'évacuation de l'arrière de l'aspirateur. [18]
- Tapotez doucement et lavez le filtre avec de l'eau tiède. N'utilisez pas d'eau chaude ou de détergents. Éliminez l'excédent d'eau du filtre et laissez-le sécher complètement avant de le réutiliser. [19, 20]
- Remettez le filtre d'évacuation à l'arrière de l'aspirateur une fois qu'il est complètement sec et remettez le couvercle du filtre d'évacuation.

IMPORTANT : N'utilisez pas l'aspirateur sans les filtres.

Nettoyage de la cuve à poussière/de l'unité de séparation

Cet aspirateur utilise un système de séparation et un système de nettoyage du carter uniques à Hoover. Si nécessaire, vous pouvez démonter l'unité de séparation du bac à poussière pour la nettoyer.

1. Soulevez la poignée de déverrouillage du bac à poussière et retirez l'ensemble bac à poussière de l'aspirateur. **[12]**
2. Tenez le bac à poussière d'une main et de l'autre main, soulevez le loquet d'ouverture du couvercle du bac à poussière pour l'ouvrir le couvercle du bac à poussière. **[14]**
3. Retirez le système de séparation (y compris le système intégré de nettoyage du carter) du bac à poussière. **[15]**
4. Si nécessaire, utilisez un chiffon pour éliminer l'excès de poussière du système de séparation (y compris le système intégré de nettoyage du carter).
5. Placez le bac à poussière sous le robinet. Rincez à l'eau tiède. Nettoyez les surfaces internes du bac à poussière avec de l'eau uniquement. **N'UTILISEZ EN AUCUN CAS un détergent pour nettoyer l'intérieur du bac à poussière.**
6. Remontez le composant interne sur le bac à poussière, tout en vous assurant que tous les composants sont secs.
7. Fermez le volet du bac à poussière et remettez l'ensemble de bac à poussière sur l'aspirateur.

Élimination d'une obstruction

1. Vérifiez si le bac à poussière est plein. Si c'est le cas, voir « Pour vider le bac à poussière ».
2. Si le bac à poussière est vide mais que l'aspirateur aspire mal :
 - A. Les filtres ont-ils besoin d'être nettoyés ? Si c'est le cas, voir « Pour nettoyer les filtres lavables ».
 - B. Vérifiez qu'il n'y ait pas de blocage à un autre endroit du système. - Si les obstructions sont dans le tube de rallonge, le flexible ou encore la brosse, enlevez-les à l'aide d'une tige.
 - C. Vérifiez que le filtre pré-moteur est en place.
 - D. Vérifiez si l'unité de séparation doit être nettoyée. Reportez-vous à « Nettoyage du système de séparation Airvolution ».

LISTE DE CONTRÔLE UTILISATEUR

En cas de problèmes avec l'appareil, effectuez les vérifications de la liste de vérifications avant d'appeler le service après-vente Hoover.

- L'aspirateur est-il alimenté en électricité ? Veuillez vérifier la prise utilisée avec un autre appareil électrique.
- Le bac à poussière est-il saturé ? Veuillez vous reporter à « Entretien de l'aspirateur ».
- Le filtre est-il encrassé ? Si c'est le cas, référez-vous à « Pour nettoyer le filtre ».

- Le tube ou le flexible est-il bouché ? Veuillez vous reporter à « Pour éliminer une obstruction ».
- L'aspirateur a-t-il surchauffé ? Si c'est le cas, il lui faudra environ 30 minutes pour se réinitialiser automatiquement.

INFORMATIONS IMPORTANTES

PIÈCES DÉTACHÉES ET CONSOMMABLES HOOVER

Toujours remplacer les pièces par des pièces détachées de la marque Hoover. Celles-ci sont disponibles auprès de votre revendeur Hoover. Lors de la commande de pièces, veuillez toujours préciser le numéro de votre modèle.

Service Hoover

Pour toute intervention à tout moment, veuillez contacter le service après-vente Hoover le plus proche.

QUALITÉ

BSI ISO 9001

La qualité des usines Hoover a fait l'objet d'une évaluation indépendante. Nos produits sont fabriqués selon un système de qualité conforme à la norme ISO 9001.

VOTRE GARANTIE

Les conditions de garantie de cet appareil sont définies par notre représentant dans le pays où il est vendu et peuvent être obtenues auprès de votre revendeur. Les détails concernant ces conditions peuvent être obtenus auprès du revendeur auprès duquel l'appareil a été acheté. La facture d'achat ou le reçu doivent être présentés pour toutes réclamations relevant des conditions de cette garantie.

Ces conditions peuvent être modifiées sans préavis.

HINWEISE FÜR DIE SICHERE BENUTZUNG

Dieses Gerät ist nur zum Gebrauch im Haushalt und nicht für gewerbliche Zwecke bestimmt. Sie sollten das Gerät ausschließlich gemäß den Angaben in dieser Bedienungsanleitung verwenden. Vor dem Gebrauch des Gerätes muss die vorliegende Bedienungsanleitung vollständig gelesen und verstanden worden sein.

Ziehen Sie nach Gebrauch den Netzstecker aus der Steckdose. Schalten Sie das Gerät vor der Reinigung oder Wartung immer aus, ziehen den Netzstecker aus der Steckdose und lassen es abkühlen. Dieses Gerät darf von Kindern ab 8 Jahren, sowie körperlich, geistig oder sensorisch behinderten Personen bzw. Personen ohne Erfahrung und Kenntnisse im Gebrauch nur unter Aufsicht oder unter Anleitung für die sichere Benutzung und den damit verbundenen Gefahren benutzt werden. Kinder sollten nicht unbeaufsichtigt mit dem Gerät spielen.

Reinigungs- und Wartungsarbeiten dürfen von Kindern nur unter Aufsicht ausgeführt werden.

Ist das Netzkabel beschädigt, darf das Gerät NICHT mehr benutzt werden. Im Falle eines Defektes darf das Netzkabel nur durch einen autorisierten HOOVER-Kundendiensttechniker ausgetauscht werden.

Halten Sie Hände, Füße, lose Kleidung und Haare von den rotierenden Bürsten fern.

Verwenden Sie nur von HOOVER empfohlene oder gelieferte Zubehörteile, Verbrauchsmaterialien und Ersatzteile.

Statische Aufladung: Manche Teppiche können die Bildung statischer Elektrizität verursachen, die jedoch sehr gering ist. Diese ist jedoch sehr gering und bei Entladung nicht gesundheitsschädlich.

Benutzen Sie das Gerät nicht im Freien, auf nassen Oberflächen oder zur Aufnahme von feuchtem Schmutz.

Saugen Sie keine harten oder scharfen Gegenstände, Streichhölzer, heiße Asche, Zigarettenkippen oder Ähnliches auf. Saugen Sie niemals entzündliche Flüssigkeiten, Reinigungsmittel, Aerosole auf oder sprühen Sie deren Dämpfe auf das Gerät.

Fahren Sie während des Betriebs nicht über das Netzkabel. Ziehen Sie nicht am Kabel, um den Gerätestecker aus der Steckdose zu ziehen.

Stellen Sie die Verwendung des Gerätes ein, wenn ein Defekt am Gerät vermutet wird.

Treten Sie beim Gebrauch des Gerätes nicht auf das Netzkabel und wickeln Sie es sich nicht um Ihre Arme oder Beine.

Benutzen Sie das Gerät nicht zur Reinigung von Menschen oder Tieren.

Positionieren Sie das Gerät bei der Reinigung von Treppen nicht oberhalb von Ihnen.

Halten Sie die Batterien fern von Kindern.

Falls eine Batterie verschluckt wird, suchen Sie sofort einen Arzt auf. Nehmen Sie leere Batterien aus dem Gerät und entsorgen Sie sie sicher.

Wenn Sie das Gerät längere Zeit nicht benutzen werden, sollten Sie die Batterien herausnehmen und sicher aufbewahren.

Wenn das Gerät entsorgt wird, müssen zuvor die Akkus entfernt werden.

Das Gerät muss von der Stromnetz getrennt sein, wenn die Akkus entnommen werden.

Entsorgen Sie die Akkus ordnungsgemäß.

Wenn Sie das Gerät längere Zeit nicht benutzen werden, sollten Sie die Batterien herausnehmen und sicher aufbewahren. Sie können nicht aufgeladen werden.

Die Batterien müssen richtig eingelegt werden: Der Pluspol "+" muss nach oben zeigen. [21]

Die Batterien können nicht aufgeladen werden.

Die Batteriepole dürfen nicht kurzgeschlossen werden.

HOOVER-Kundendienst: Um auf Dauer den sicheren und effizienten Betrieb dieses Gerätes zu gewährleisten, empfehlen wir, Wartungs- und Reparaturarbeiten ausschließlich von einem zugelassenen HOOVER-Kundendienst durchführen zu lassen.

Umweltschutz

Das am Gerät angebrachte Symbol gibt an, dass dieses Gerät nicht als Hausmüll behandelt werden darf, sondern an einer entsprechenden Sammelstelle für das Recycling von elektrischen und elektronischen Geräten zu entsorgen ist. Die Entsorgung ist in Übereinstimmung mit allen geltenden Vorschriften für die umweltgerechte Abfallentsorgung vorzunehmen. Ausführlichere Informationen über die Abfallbehandlung und das Recycling dieses Gerätes erhalten Sie von der zuständigen Umweltbehörde, der Müllentsorgungsstelle Ihrer Kommune oder dem Händler, bei dem Sie das Gerät erworben haben.



Frequenzbereiche	300Mhz ~ 450Mhz
Maximale HF-Leistung, die im Frequenzband übertragen wird	11 dBm

Hiermit erklärt die Candy Hoover Group Srl, dass die Funkanlage die Richtlinie 2014/53/EU erfüllt. Der vollständige Text der EU-Konformitätserklärung ist unter der folgenden Internetadresse verfügbar: www.candy-group.com

CANDY HOOVER GROUP S.r.l. Via Privata Eden Fumagalli, 20861 Brugherio (MB) Italy

GERÄTEBESCHREIBUNG

- | | |
|-------------------------------------------------------------|--------------------------------------------------------------------------------------------|
| A. Ein-Ausschalter | N. Vormotorfilter |
| B. Kabeltrommeltaste | O. Abluftfilter |
| C. Parkhalterung | P. Integriertes Zubehör auf den Griff: Integrierte Fugendüse, Möbelpinsel und Möbelzubehör |
| D. Gerätekörper | Q. Sicherer Teleskoprohranschluss |
| E. Staubsammelbehälter | R. Teleskoprohrängenverstellung |
| F. Schnappverschluss Staubbehälterdeckel | S. Rasterteleskoprohr |
| G. Staubbehälter-Handgriff zur Herausnehmen | T. Umschaltbare Bodendüse** (GP) |
| H. Staubbehälterdeckel | Ta. Sicherer Anschluss für Umschaltbare Bodendüse |
| I. Abscheider mit integriertem ummanteltem Reinigungssystem | Tb. Bodenbelagswahlschalter |
| J. Staubbehälter | Tc. Düsennebenluftregelung |
| K. Staubbehälterklappen-Freigabetaste | U. Erweiterte Polsterdüse* |
| L. Saugschlauch | V. Langes 2in1-Zubehör* |
| M. Hi Controller Fernbedienungshandgriff mit weichem Griff | W. Tierhaar-Miniturbodüse mit doppelter Aktion* |
| Ma. Leistungsregulierungstaste | X. Mini Turbo-Allergy Remover-Düse mit doppelter Aktion* |
| Mb. Leise-Taste | Y. Extra-Hartbodenpflegedüse* |
| Mc. Ein/Aus-Taste | |
| Md. LED-Batterieanzeige am Fernbedienungshandgriff | |

ZUSAMMENBAU DES GERÄTES

Nehmen Sie alle Teile des Gerätes aus dem Karton.

1. Befestigen Sie das eine Ende des Saugschlauches am Gerätekörper, so dass es spürbar einrastet. Zum Entfernen drücken Sie die seitlichen Laschen am Ende des Saugschlauches und ziehen den Schlauch heraus. [1]
2. Schließen Sie den Schlauchhandgriff oder bei Bedarf das Zubehör* am oberen Ende vom Verlängerungsrohr an. [2]
3. Schließen Sie das untere Ende des Verlängerungsrohrs an der Teppich- und Bodendüse** [3], oder bei Bedarf am Zubehör* an.

* Geräteausstattung ist modellabhängig ** Je nach Modell unterschiedlich

GEBRAUCH DES GERÄTES

1. Ziehen Sie das Netzkabel raus und schließen es an eine Steckdose an. Ziehen Sie das Kabel keinesfalls weiter, als bis zur roten Markierung heraus. [6]
2. Stellen Sie die Länge des Teleskoprohrs ein, indem Sie den Teleskoprohrängenverstellung nach oben bewegen, und heben oder senken Sie den Schlauchhandgriff in die bequemste Reinigungsposition. [5]
3. Umschaltbare Bodendüse**. Das Pedal an der Düse drücken [7], um die gewünschte Bodenart auszuwählen.

Hartböden: Der Borstenkranz wird zum Schutz des Bodens abgesenkt.

Teppichböden: Besonders gründliche Reinigung durch Anheben der Bürsten.

Umschaltbare Bodendüse**: [4]

- **Hartbodenreinigung:** Drücken Sie das Bodenart-Auswahlpedal an der Düse auf Hartbodenmodus und stellen Sie für die bequemste Reinigungsstellung die Nebenluftregelung der Düse auf die offene [4a] oder geschlossene [4b] Position. In dieser Position sind die Bürsten abgesenkt und schützen Hartböden.
 - **Teppichbodenreinigung:** Drücken Sie das Bodenbelagswahlpedal an der Düse auf Teppichbodenmodus und stellen Sie die Nebenluftregelung der Düse auf die offene Position. In dieser Position sind die Bürsten angehoben, um eine tiefere Reinigung Ihres Teppichbodens zu ermöglichen. [4c] Es wird empfohlen, die Nebenluftregelung an der Düse auf dem Teppichboden zu öffnen, um ein besseres Gleiten zu ermöglichen.
4. Schalten Sie den Staubsauger durch Drücken auf die Ein-/Aus-Taste am Staubsaugergehäuse [8] oder die Ein-/Aus-Taste auf den Schlauchhandgriff ein. [9]
 5. **Leistungsregulierung** - Passen Sie die Leistungsstufe durch Drücken der variablen Leistungsregulierungstaste auf dem Saugschlauch an. [9]

Hi-Controller Handgriff-Einstellungen: [9, M]

- **Schalten Sie das Gerät ein/aus:** Drücken Sie die Ein-/Aus-Taste.
- **Leistungsregler:** Um die Leistung zu regulieren, drücken Sie die Tasten "+, -".
- **Leiser Betrieb ein/aus:** Drücken Sie die Leise-Taste um gründlich mit reduziertem Geräuschpegel zu reinigen.

Integriertes Zubehör am Griff: [P, M]

- **Integrierte Fugendüse:** Der Schlauchhandgriff kann, um enge Räume zu erreichen, als Fugendüse verwendet werden.
- **Möbelpinsel:** Drücken Sie die Schnappverschlüsse auf beiden Seiten des Griffs und schieben Sie ihn nach unten, um das Möbelzubehör zu lösen und weiche Oberflächen und Textilien (Vorhänge, Polster) zu reinigen.
- **Möbelpinsel:** Drücken Sie die Schnappverschlüsse an beiden Seiten des Griffs und schieben Sie sie nach unten. Drücken Sie danach den Schieberegler bis zum Ende, um den integrierten Möbelpinsel zu lösen. Ideal für harte Oberflächen (Bücherregale, Tastaturen, Sockelleisten).

- Schalten Sie nach Gebrauch das Gerät durch Drücken auf die Ein/Aus-Taste am Staubsaugergehäuse oder die Ein/Aus-Taste am Schlauchgriff aus. Ziehen Sie den Netzstecker aus der Steckdose und wickeln Sie das Netzkabel durch Drücken auf die Kabeltrommeltaste auf.
- Abstellen und Aufbewahren - Das Rohr kann während des Gebrauchs vorübergehend abgestellt oder geparkt werden, wenn es nicht in Gebrauch ist. [11]

ZUBEHÖR

Um die beste Leistung und Energieeffizienz zu erzielen#1 wird empfohlen, dass die richtigen Düsen für den Hauptreinigungsbetrieb verwendet werden. Die Düsen werden in den Diagrammen mit den Bezeichnungen **GP**, **HF** oder **CA** gekennzeichnet.

Die Düse mit der Bezeichnung **GP** kann zur Reinigung von Teppichen und Hartböden verwendet werden.

Die Düse mit der Bezeichnung **HF** ist nur für die Reinigung von Hartböden geeignet.

Die Düse mit der Bezeichnung **CA** ist nur für die Reinigung von Teppichen geeignet.

Die anderen Düsen sind Zubehör für besondere Reinigungsaufgaben und werden nur für die fallweise Benutzung empfohlen.

Alle Zubehörteile können direkt am Handgriff* oder am Teleskoprohr* befestigt werden.

Zubehör**:

Fugendüse – Ideal zur Reinigung von Ecken und schwer zugänglichen Bereichen.

Polsterdüse – Ideal zur Reinigung von Polstermöbeln.

Möbelpinsel – Für Bücherregale, Bilderrahmen, Tastaturen und andere empfindliche Bereiche.

Miniturbodüse mit doppelter Aktion* [W] – Die Miniturbodüse eignet sich speziell zur Reinigung von Matratzen und Polstermöbeln. Besonders geeignet zur Entfernung von Tierhaaren.

Allergy Remover-Düse mit doppelter Aktion* [X] – Diese Miniturbodüse eignet sich speziell zur Reinigung von Treppen, Polstermöbeln sowie Matratzen und ist besonders wirksam gegen allergieauslösende Faktoren.

Parkett Extra Pflege* [Y] – Ideal zur Reinigung von Parkettböden und anderen empfindlichen Hartböden.

Langes 2in1-Zubehör* [V] – Fugendüse und Möbelpinsel - Damit ist es ermöglicht schwer zugängliche Bereiche wie Bücherregale und hohe Ecken zu reinigen.

WICHTIG: Benutzen Sie die Miniturbodüse nicht auf Teppichen und Vorlegern mit langen Fransen, auf Tierfellen und auf über 15 mm tiefem Teppichflor. Halten Sie die Düse bei sich drehender Bürstwalze nicht still.

WARTUNG DES GERÄTES

Leeren des Staubbehälters

Entleeren Sie den Staubbehälter spätestens, wenn die MAX-Marke am Behälter erreicht ist.

WICHTIG: Bitte beachten Sie, dass zur Aufrechterhaltung der optimalen Leistungsfähigkeit Ihres Geräts der Staubbehälter nicht über die MAX.-Marke gefüllt sein sollte.

- Schalten Sie den Staubsauger durch Drücken auf die Ein/Aus-Taste am Staubsaugergehäuse [8] oder die Ein/Aus-Taste am Schlauchgriff [9] aus und ziehen Sie das Stecker aus der Steckdose.
- Heben Sie den Entriegelungsgriff des Staubbehälters an und nehmen Sie die Staubbehälterbaugruppe aus dem Staubsauger. [12]
- Halten Sie die Staubbehälter mit einer Hand fest und drücken Sie mit der anderen Hand auf die Staubbehälterklappe-Freigabetaste. [13]
- Schließen Sie die Staubbehälterklappe und setzen die Staubbehälterbaugruppe wieder in den Staubsauger ein.

Reinigung der waschbaren Filter

Der Staubsauger ist mit einer Vormotorfilterkassette ausgestattet. Zur Aufrechterhaltung der optimalen Leistungsfähigkeit Ihres Gerätes die Filter bitte regelmäßig entfernen und gründlich ausklopfen. Die Filter spätestens alle 5 Staubbehälter-Entleerungen oder wenn diese sehr stark verschmutzt sind, mit lauwarmen Wasser auswaschen.

WICHTIG: Allebeutellosen Staubsauger müssen regelmäßig gereinigt und gewartet werden. Werden die Filter nicht gereinigt, kann dies zu Verstopfung, Überhitzung und damit zu einem Produktausfall führen. Dadurch erlischt möglicherweise Ihre Garantie.

WICHTIG: Die Filter regelmäßig überprüfen und warten.

WICHTIG: Die Filter immer erst dann benutzen, wenn sie vollständig getrocknet sind.

So entfernen Sie den Vormotorfilter:

- Heben Sie den Entriegelungsgriff des Staubbehälters an und nehmen Sie die Staubbehälterbaugruppe aus dem Staubsauger. [12]
- Halten Sie die Staubbehälter mit einer Hand fest und öffnen Sie mit der anderen Hand den Staubbehälterdeckel-Schnappverschluss, um den Staubbehälter zu öffnen. [14]
- Nehmen Sie den Vormotorfilter im Behälterdeckel heraus. [16]
- Klopfen Sie den Vormotorfilter vorsichtig aus und waschen Sie ihn. Verwenden Sie kein heißes Wasser und keine Reinigungsmittel. Entfernen Sie das überschüssige Wasser aus dem Filter und lassen Sie ihn vor erneuter Verwendung gründlich trocknen. [19, 20]
- Bauen Sie den Vormotorfilter, nachdem er vollständig getrocknet ist, wieder zusammen und setzen Sie ihn in den Staubsauger ein.

So entfernen Sie den Abluftfilter:

- Lösen Sie die Abdeckung des Abluftfilters an der Rückseite des Staubsaugergehäuses. [17]
- Entfernen Sie den Abluftfilter von der Rückseite des Staubsaugers. [18]
- Klopfen Sie den Filter unter lauwarmem Wasser vorsichtig aus. Verwenden Sie kein heißes Wasser und keine Reinigungsmittel. Entfernen Sie das überschüssige

Wasser aus dem Filter und lassen Sie ihn vor erneuter Verwendung gründlich trocknen. [19, 20]

4. Montieren Sie den Abluftfilter, nachdem er vollständig getrocknet ist, wieder an der Rückseite des Staubsaugers und befestigen danach die Abdeckung des Abluftfilters.

WICHTIG: Das Gerät darf auf keinen Fall ohne die Filter benutzt werden.

Reinigung des Staubbehälters/der Airvolution-Funktionseinheit

Dieser Staubsauger verfügt über eine spezielle ummantelte Schmutzabscheidereinheit, die einzigartig bei Hoover ist. Bei Bedarf kann sie aus dem Staubbehälter ausgebaut und gereinigt werden.

1. Heben Sie den Entriegelungsgriff des Staubbehälters an und nehmen Sie die Staubbehälterbaugruppe aus dem Staubsauger. [12]
2. Halten Sie den Staubbehälter mit einer Hand fest und drehen Sie mit der anderen Hand den Staubbehälterdeckel und öffnen Sie den Schnappverschluss, um den Staubbehälter zu öffnen. [14]
3. Nehmen Sie den Abscheider (einschließlich des integrierten ummantelten Reinigungssystem) vom Staubbehälter ab. [15]
4. Bei Bedarf können Sie übermäßigen Staub mit einem Tuch vom Abscheider (einschließlich dem integrierten ummantelten Reinigungssystem) abwischen.
5. Halten Sie den Staubbehälter unter den Wasserhahn. Bitte verwenden Sie ausschließlich lauwarmes Wasser zur Reinigung. Waschen Sie nur die Innenflächen des Behälters mit Wasser aus. Verwenden Sie keine Seife und keine Reinigungsmittel zur Reinigung der Innenseite des Behälters.
6. Bauen Sie alle Innenteile, sofern diese trocken sind, wieder in den Staubbehälter ein.
7. Schließen Sie den Staubbehälterdeckel und setzen Sie die Staubbehälterbaugruppe wieder in den Staubsauger ein.

Entfernen einer Verstopfung

1. Füllstand des Staubbehälters prüfen. Ist er voll, siehe „Leeren des Staubbehälters“.
2. Wenn der Staubbehälter leer und die Saugleistung weiterhin niedrig ist:
 - A. Müssen die Filter gereinigt werden? Falls ja, siehe Kapitel „Reinigung der waschbaren Filter“.
 - B. Prüfen Sie, ob der Saugtrakt an einer anderen Stelle verstopft ist. - Entfernen Sie Verstopfungen im Teleskoprohr oder im Saugschlauch mit einem Stab.
 - C. Prüfen Sie, ob der Vormotorvorfilter richtig eingebaut ist.
 - D. Prüfen Sie, ob die Multizykloneinheit gereinigt werden muss. Weitere Informationen finden Sie unter „Reinigung der AirVolution-Funktionseinheit“.

- Ist die Stromversorgung in Ordnung? Bitte überprüfen Sie diese mit einem anderen elektrischen Gerät.
- Ist der Staubbehälter übervoll? Siehe „Wartung des Staubsaugers“.
- Ist der Filter blockiert? Siehe „Reinigung der Filter“.
- Ist der Saugschlauch oder die Düse verstopft? Siehe „Verstopfung des Saugtraktes beheben“.
- Ist der Staubsauger überhitzt? Falls ja, dauert es ca. 30 Minuten, bis der Überhitzungsschutz sich automatisch abschaltet.

WICHTIGE INFORMATIONEN

Hoover Original-Ersatzteile und Verbrauchsartikel

Verwenden Sie stets Originalersatzteile von Hoover. Diese sind über den Hoover-Kundendienst erhältlich. Geben Sie bei der Bestellung von Ersatzteilen bitte stets die komplette 16stellige Artikelnummer (Typenplakette auf der Rückseite des Gerätes) Ihres Gerätemodells an.

Hoover-Kundendienst

Zur Wartung oder Reparatur Ihres Produktes wenden Sie sich bitte an Ihre zuständige Hoover-Kundendienststelle.

Qualität

BSI ISO 9001

Die Hoover-Werke wurden unabhängig voneinander jeweils einer Qualitätsprüfung unterzogen. Unsere Produkte werden nach einem Qualitätsstandard hergestellt, der die Anforderungen von ISO 9001 erfüllt.

Garantieerklärung

Die Garantiebestimmungen für dieses Gerät entsprechen den Richtlinien des Landes, in dem Sie das Gerät erworben haben. Weitere Einzelheiten dazu erhalten Sie vom Händler, bei dem Sie das Gerät erworben haben oder aus dem Garantieheft, das der Verpackung beiliegt. Bitte bewahren Sie den Kaufbeleg sorgfältig auf, denn er wird für eventuell auftretende Garantieansprüche benötigt.

Änderungen vorbehalten.

PRÜFLISTE ZUR FEHLERSUCHE

Bitte prüfen Sie zunächst die einzelnen Punkte dieser Prüfliste, bevor Sie sich bei einem Problem an Ihre zuständige Hoover-Kundendienststelle wenden.

ISTRUZIONI PER UN USO SICURO

Questo apparecchio deve essere utilizzato esclusivamente in ambito domestico per interventi di pulizia, secondo le istruzioni riportate nel presente documento. Accertarsi di aver compreso le istruzioni prima di mettere in funzione l'apparecchio.

Non lasciare l'apparecchio collegato alla corrente. Prima di procedere alla pulizia dell'apparecchio o di effettuare qualsiasi operazione di manutenzione, spegnere sempre l'apparecchio e scollegare la spina.

Questo elettrodomestico non è destinato a essere utilizzato da bambini di età inferiore a 8 anni e da persone dalle ridotte capacità fisiche, sensoriali o mentali, o senza esperienza a causa di una inadeguata informazione sull'uso in sicurezza dell'apparecchio e sui relativi pericoli. Controllare che i bambini non giochino con l'apparecchio.

Pulizia e manutenzione non possono essere eseguite da bambini senza sorveglianza da parte di una persona responsabile.

Se il cavo di alimentazione è danneggiato, interrompere immediatamente l'utilizzo dell'apparecchio. Per evitare pericoli, il cavo di alimentazione dovrà essere sostituito da un tecnico del servizio assistenza autorizzato HOOVER.

Tenere le mani, i piedi, i capi di abbigliamento non attillati e i capelli lontani dalle spazzole rotanti.

Utilizzare solo accessori o parti di consumo e di ricambio consigliati o forniti da HOOVER.

Elettricità statica: alcuni tappeti possono produrre un accumulo di elettricità statica. Le cariche di elettricità statica non sono pericolose per la salute.

Non utilizzare l'apparecchio all'aperto, su superfici bagnate o per aspirare liquidi.

Non aspirare oggetti solidi o appuntiti, fiammiferi, ceneri calde, mozziconi di sigaretta o simili.

Non vaporizzare o aspirare liquidi infiammabili, detergenti, bombolette o i loro vapori.

Non calpestare il cavo di alimentazione durante l'utilizzo dell'apparecchio o scollegare la spina dalla presa tirando il cavo di alimentazione.

Non continuare a utilizzare l'apparecchio in caso di presunto guasto.

Non calpestare il cavo di alimentazione o avvolgerlo intorno alle braccia o alle gambe mentre si usa l'apparecchio.

Non utilizzare l'apparecchio per l'igiene della persona o degli animali.

Non collocare l'apparecchio in una posizione più alta rispetto alla propria quando si puliscono le scale.

Tenere le batterie lontano dalla portata dei bambini.

Se una batteria viene ingerita, consultare immediatamente un medico.

Le batterie scariche devono essere rimosse dall'apparecchio e smaltite secondo le disposizioni vigenti.

Se l'apparecchio viene riposto e inutilizzato per un lungo periodo, le batterie devono essere rimosse e riposte in sicurezza.

Se l'apparecchio è da smaltire, le batterie devono prima essere rimosse.

Rimuovere la batteria solo quando l'apparecchio è scollegato dalla rete di alimentazione.

Smaltire le batterie in sicurezza.

Usare solo batterie al Lithium CR2032 3V. Tipologia non ricaricabile.

Le batterie devono essere inserite con polarità corretta: il polo positivo "+" è sul lato superiore. [21]

Le batterie di tipo non ricaricabile non devono essere ricaricate. I terminali della batteria non devono essere messi in cortocircuito.

Assistenza HOOVER: Per garantire un funzionamento sempre sicuro ed efficiente dell'apparecchio, si consiglia di fare eseguire eventuali interventi di assistenza o di riparazione dai tecnici del servizio assistenza autorizzato HOOVER.

Ambiente:

Il simbolo apposto sul prodotto indica che lo stesso non può essere smaltito come i normali rifiuti domestici, ma deve essere portato al punto di raccolta o al centro di riciclaggio delle apparecchiature elettriche ed elettroniche più vicino.



Lo smaltimento deve essere eseguito in conformità alle normative locali vigenti per la salvaguardia dell'ambiente e lo smaltimento dei rifiuti. Per ulteriori informazioni sul trattamento, il recupero e il riciclaggio di questo prodotto, contattare l'unità territoriale competente per il servizio di smaltimento o il negozio in cui il prodotto è stato acquistato.

Bande di frequenza	300Mhz ~ 450Mhz
Potenza RF massima trasmessa nella banda di frequenza	11 dBm

Con la presente, Candy Hoover Group Srl dichiara che l'apparecchiatura radio è conforme alla Direttiva 2014/53/UE. Il testo completo della dichiarazione di conformità EU è disponibile al seguente indirizzo internet: www.candy-group.com

CANDY HOOVER GROUP S.r.l. Via Privata Eden Fumagalli, 20861 Brugherio (MB) Italy

DESCRIZIONE DELL'APPARECCHIO

A. Pulsante controllo potenza e Accensione/Spegnimento (On/Off)	N. Filtro pre-motore
B. Pulsante di riavvolgimento del cavo	O. Filtro in uscita
C. Stazionamento	P. Accessori integrati sulla maniglia: Bocchetta per fessure incorporata,
D. Corpo principale dell'apparecchio	Spazzola a pennello e spazzola per mobili e imbottiti
E. Gruppo contenitore raccogli-polvere	Q. Connettore per connessione sicura per tubo telescopico
F. Levetta di apertura del coperchio del contenitore raccogli-polvere	R. Dispositivo di controllo del tubo telescopico
G. Maniglia di rilascio del contenitore raccogli-polvere	S. Tubo telescopico
H. Coperchio contenitore raccogli-polvere	T. Spazzola per tappeti e pavimenti** (GP)
I. Sistema di separazione con sistema di pulizia integrato	Ta. Raccordo per connessione sicura per spazzola tappeti e pavimenti
J. Contenitore raccogli-polvere	Tb. Pedale selettore tipo pavimento
K. Pulsante di sblocco dello sportello del contenitore raccogli-polvere	Tc. Regolatore forza aspirante della spazzola
L. Tubo flessibile	U. Spazzola Advanced per tutti gli usi*
M. Impugnatura Soft Grip con telecomando Hi-Controller	V. Bocchetta lunga 2In1*
Ma. Pulsanti controllo potenza variabile	W. Spazzola Mini Turbo doppia azione per rimuovere i peli di animali domestici*
Mb. Pulsante Silent Power	X. Spazzola Mini Turbo doppia azione per rimuovere gli allergeni*
Mc. Pulsante di accensione/spegnimento	Y. Spazzola Parquet Extra Care*
Md. Indicatore a Led della batteria del telecomando sull'impugnatura	

MONTAGGIO DELL'APPARECCHIO

Disimballare tutti i componenti.

1. Collegare il tubo flessibile al corpo principale dell'apparecchio, assicurandosi che si agganci e si blocchi in posizione. Per estrarre è sufficiente premere i pulsanti all'estremità del tubo flessibile e tirare. [1]
2. Collegare l'impugnatura del tubo flessibile all'estremità superiore della prolunga del tubo o, se necessario, agli accessori*. [2]
3. Collegare l'estremità inferiore della prolunga del tubo alla spazzola** per tappeti e pavimenti [3] o, se necessario, agli accessori*.

* Solo su alcuni modelli ** Può variare secondo il modello

UTILIZZO DELL'APPARECCHIO

1. Estrarre il cavo di alimentazione e inserirlo in una presa di corrente. Non tirare il cavo oltre l'indicatore rosso. [6]
2. Regolare la lunghezza del tubo telescopico spostando il regolatore di altezza; alzare o abbassare l'impugnatura del tubo flessibile fino a trovare la posizione di pulizia più confortevole. [5]
3. Spazzola per tappeti e pavimenti**. Premere il pedale sulla spazzola [7] per selezionare la modalità di pulizia ideale per il tipo di pavimento.
Pavimenti duri: le setole sono abbassate per proteggere il pavimento.
Tappeti: le setole sono sollevate per pulire in profondità.

Spazzola per tappeti e pavimenti**: [4]

- **Pulizia pavimentazioni dure:** Premere il pedale di selezione della tipologia di pavimentazione sulla spazzola sulla modalità Pavimenti Duri e impostare il regolatore della forza aspirante della spazzola sulla posizione ottimale, aperta [4a] o chiusa [4b]. In questa modalità le spazzole vengono abbassate per proteggere i pavimenti duri.
 - **Pulizia dei tappeti:** Premere il pedale di selezione della tipologia di pavimentazione sulla spazzola sulla modalità Tappeti e impostare il regolatore della forza aspirante della spazzola sulla posizione aperta. In questa modalità le spazzole si sollevano per garantire una pulizia più in profondità del tappeto. [4c] Si suggerisce di lasciare aperto il regolatore della forza aspirante della spazzola sui tappeti per permettere uno scorrimento migliore.
4. Accendere l'apparecchio premendo il pulsante di accensione/spegnimento sul corpo principale [8] o il pulsante di accensione/spegnimento sull'impugnatura del tubo flessibile. [9]
 5. **Controllo potenza variabile** - Regolare il livello di potenza premendo i pulsanti di controllo potenza variabile sull'impugnatura del tubo flessibile. [9]

Impostazioni Impugnatura Hi-Controller: [9, M]

- **Accensione/spegnimento dell'apparecchio:** premere il pulsante accensione/spegnimento.
- **Controllo potenza variabile:** premere i pulsanti "+, -" per regolare la potenza.
- **Modalità Silenziosa:** premere il pulsante Silent per pulizie accurate con un basso livello di rumore.

Accessori integrati nell'impugnatura: [P, M]

- **Bocchetta per fessure incorporata:** L'estremità dell'impugnatura del tubo flessibile può essere utilizzata come bocchetta per fessure per raggiungere gli spazi più stretti.
- **Spazzola per mobili e imbottiti:** Premere le levette su entrambi i lati della maniglia e far scorrere verso il basso per rilasciare la spazzola per mobili e imbottiti per pulire superfici morbide e tessuti (tende, tappezzeria).
- **Spazzola a pennello:** Premere le levette su entrambi i lati della maniglia e far scorrere verso il basso, quindi spingere il cursore verso l'esterno per rilasciare la spazzola a pennello incorporata. Ideale per superfici dure (librerie, tastiere, battiscopa).

6. Dopo l'uso, spegnere premendo il pulsante di accensione/spegnimento sul corpo principale dell'apparecchio o il pulsante di accensione/spegnimento sull'impugnatura del tubo flessibile. Staccare la spina e riavvolgere il cavo di alimentazione premendo il pulsante di riavvolgimento.
7. Stazionamento e parcheggio - È possibile parcheggiare il tubo temporaneamente durante l'uso, oppure riporlo quando l'apparecchio non viene utilizzato. [11]

ACCESSORI

Per ottenere prestazioni ottimali ed efficienza energetica, è consigliato usare le spazzole appropriate per le principali operazioni di pulizia. Queste spazzole sono indicate nel diagramma con le lettere **GP**, **HF** o **CA**.

La spazzola di tipo **GP** è adatta per pulire sia tappeti che pavimenti duri.

La spazzola di tipo **HF** è adatta solo per la pulizia dei pavimenti duri.

La spazzola di tipo **CA** è adatta solo per la pulizia dei tappeti.

Le altre spazzole sono accessorie per operazioni di pulizia speciale e sono raccomandate solo per usi occasionali.

Tutti gli accessori possono essere inseriti nell'impugnatura* o all'estremità del tubo* telescopico.

Set accessori**:

Bocchetta per fessure – Per angoli e punti difficili da raggiungere.

Bocchetta tutti gli usi – Per imbottiti, divani e tessuti.

Spazzola a pennello – Per librerie, cornici, tastiere e altre superfici delicate.

Spazzola doppia azione per rimuovere i peli di animali domestici* [W] – Utilizzare la mini turbospazzola per la pulizia profonda di superfici tessili e imbottiti e per altre aree difficili. Particolarmente adatta per rimuovere i peli degli animali domestici.

Spazzola doppia azione per rimuovere gli allergeni* [X] – Utilizzare la mini turbospazzola per la pulizia profonda di superfici tessili, imbottiti e altre aree difficili da pulire in cui si annidano acari e batteri.

Spazzola Parquet Extra Care* [Y] – Per parquet e pavimenti delicati.

Bocchetta lunga 2In1* [V] – Bocchetta per fessure e spazzola a pennello - Consente di pulire aree difficili da raggiungere come scaffali e angoli alti.

IMPORTANTE: Non utilizzare le mini turbo spazzole su tappeti a frange, pellicce o moquette con pelo di oltre 15 mm. Non tenere ferma la spazzola mentre è in rotazione.

MANUTENZIONE DELL'APPARECCHIO

Svuotamento contenitore raccogli polvere

Quando la polvere raggiunge la linea del livello massimo, svuotare il contenitore raccogli polvere.

IMPORTANTE: Per ottenere prestazioni ottimali, non consentire che la polvere si accumuli oltre il livello massimo.

1. Spegnere l'apparecchio premendo il pulsante di accensione/spegnimento sul corpo principale dell'apparecchio [8] o premendo il pulsante di accensione/spegnimento sull'impugnatura [9] del tubo flessibile, quindi scollegare il cavo di alimentazione.
2. Sollevare la maniglia di rilascio del contenitore raccogli polvere e rimuovere il gruppo del contenitore raccogli polvere dall'apparecchio. [12]
3. Con una mano tenere il contenitore raccogli polvere e con l'altra premere il pulsante di sblocco del coperchio. [13]
4. Chiudere lo sportello del contenitore raccogli polvere e riposizionarlo sul corpo principale dell'apparecchio.

Pulizia dei filtri lavabili

L'apparecchio è dotato di un'unità filtro blu. Per mantenere prestazioni ottimali, rimuovere i filtri e picchiettarli contro il lato del cestino per eliminare la polvere. Il filtro deve essere lavato ogni 5 svuotamenti del contenitore raccogli polvere o quando la polvere nel filtro risulti eccessiva.

IMPORTANTE: Tutti gli apparecchi senza sacchetto richiedono una regolare pulizia del filtro. La mancata pulizia dei filtri può causare il blocco, il surriscaldamento e il danneggiamento dell'apparecchio. Tutto ciò può invalidare la garanzia.

IMPORTANTE: Controllare i filtri sistematicamente e sottoporli a regolare manutenzione.

IMPORTANTE: Prima di utilizzare i filtri, accertarsi sempre che siano asciutti.

Per accedere al filtro Pre-motore:

1. Sollevare la maniglia di rilascio del contenitore raccogli polvere e rimuovere il gruppo del contenitore raccogli polvere dall'apparecchio. [12]
2. Con una mano tenere il contenitore raccogli polvere e con l'altra sollevare la levetta di apertura del coperchio del contenitore raccogli polvere per aprirlo. [14]
3. Rimuovere il filtro pre-motore collocato nel coperchio del contenitore. [16]
4. Picchiettare e lavare il filtro pre-motore. Non utilizzare acqua bollente o detersivi. Eliminare l'acqua in eccesso dal filtro e lasciarlo asciugare completamente prima di riutilizzarlo. [19, 20]
5. Quando completamente asciutto, riassemblare il filtro pre-motore nel coperchio del contenitore raccogli polvere e rimontarlo nell'apparecchio.

Per accedere al filtro in uscita:

1. Sganciare il coperchio del filtro in uscita dal retro del corpo principale dell'apparecchio. [17]
2. Rimuovere il filtro in uscita dal retro dell'apparecchio. [18]
3. Picchiettare e lavare il filtro con acqua calda. Non utilizzare acqua bollente o detersivi. Eliminare l'acqua in eccesso dal filtro e lasciarlo asciugare completamente prima di riutilizzarlo. [19, 20]
4. Una volta completamente asciutto, rimontare il filtro in uscita nel retro dell'apparecchio e rimettere il coperchio del filtro in uscita.

IMPORTANTE: Non utilizzare il prodotto senza aver prima montato l'unità filtro.

Pulizia del contenitore raccogli polvere/dell'unità Airvolution

Questo apparecchio utilizza un sistema di separazione e un sistema di pulizia esclusivi di Hoover. Se necessario, l'unità di separazione può essere smontata dal contenitore raccogli polvere e pulita.

1. Sollevare la maniglia di rilascio del contenitore raccogli polvere e rimuovere il gruppo del contenitore raccogli polvere dall'apparecchio. **[12]**
2. Con una mano tenere il contenitore raccogli polvere e con l'altra sollevare la levetta di apertura del coperchio del contenitore raccogli polvere per aprirlo. **[14]**
3. Rimuovere il sistema di separazione (incluso il sistema di pulizia shroud integrato) dal contenitore raccogli polvere. **[15]**
4. Se necessario, utilizzare un panno per rimuovere la polvere in eccesso dal sistema di separazione (Incluso il sistema di pulizia shroud integrato).
5. Collocare il contenitore raccogli polvere sotto l'acqua del rubinetto. Sciacquare con acqua tiepida. Lavare le superfici interne del contenitore raccogli polvere solo con acqua. **NON** utilizzare detersivi o sapone per lavare le parti interne del contenitore raccogli polvere.
6. Rimontare il componente interno nel contenitore raccogli polvere, assicurandosi che tutti i componenti siano asciutti.
7. Chiudere il coperchio del contenitore raccogli polvere e rimontare il gruppo contenitore raccogli polvere nell'apparecchio.

Rimozione di un'ostruzione

1. Controllare se il contenitore raccogli polvere è pieno. Se così fosse, vedere la sezione "Svuotamento del contenitore raccogli polvere".
2. Se il contenitore raccogli polvere è vuoto, ma l'aspirazione è ancora scarsa:
 - A. Potrebbe essere necessario pulire i filtri. In questo caso, vedere la sezione "Pulizia dei filtri lavabili".
 - B. Controllare che non vi siano altre ostruzioni nel sistema. - Utilizzare un'asticella o un bastoncino per rimuovere eventuali ostruzioni dalla prolunga del tubo o dal tubo flessibile.
 - C. Verificare che il filtro pre-motore sia installato.
 - D. Verificare se l'unità di separazione debba essere pulita. Fare riferimento al paragrafo "Pulizia dell'unità di separazione".

CHECKLIST UTENTE

In caso di problemi, completare questa semplice checklist utente prima di chiamare il centro assistenza Hoover.

- La presa elettrica a cui è collegato l'apparecchio è funzionante? Controllare collegando un altro elettrodomestico.
- Il contenitore raccogli polvere è pieno? Vedere "Manutenzione dell'apparecchio".
- Il filtro è ostruito? Vedere la sezione "Pulizia del filtro".

- Il tubo flessibile o la bocchetta sono ostruiti? Vedere "Rimozione di un'ostruzione dal sistema".
- L'aspirapolvere si è surriscaldato? In questo caso, il reset automatico richiede circa 30 minuti.

INFORMAZIONI IMPORTANTI

QUALITÀ

BSI ISO 9001

La qualità degli stabilimenti Hoover è stata sottoposta a valutazione indipendente. I nostri prodotti vengono realizzati mediante un sistema di qualità che soddisfa i requisiti ISO 9001.

PARTI DI RICAMBIO E DI CONSUMO HOOVER

Utilizzare sempre parti di ricambio originali Hoover, che è possibile acquistare dal distributore locale Hoover o direttamente sul sito internet Hoover. Quando si ordinano delle parti di ricambio, ricordarsi sempre di fornire il numero di modello dell'apparecchio utilizzato.

ASSISTENZA E GARANZIA HOOVER

Questo prodotto è garantito, oltre che ai sensi di legge, alle condizioni e nei termini riportati sul certificato di garanzia convenzionale inserito nel prodotto. Il certificato dovrà essere conservato e mostrato al nostro Centro di Assistenza Tecnica Autorizzato, in caso di necessità, insieme allo scontrino comprovante l'acquisto dell'elettrodomestico. Puoi consultare le condizioni di garanzia anche sul nostro sito internet Per ottenere assistenza compila l'apposito form on-line oppure contattaci al numero che trovi indicato nella pagina di assistenza del nostro sito internet. Queste condizioni potrebbero venire modificate senza obbligo di preavviso.