

# Quick Start

## SXR80 and SXS80 Kit



201-26635-02

### Package contents



Orbi Pro WiFi 6 Router  
(Model SXR80)

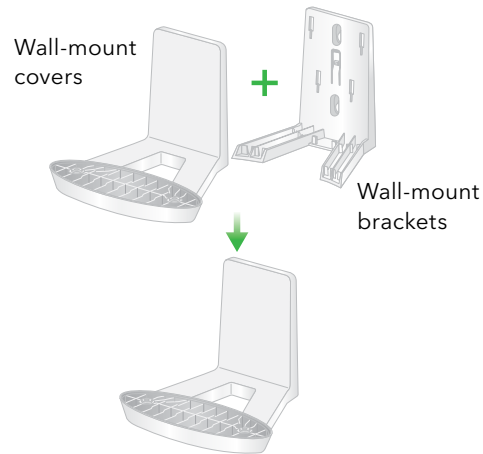
Orbi Pro WiFi 6 Satellite  
(Model SXS80)



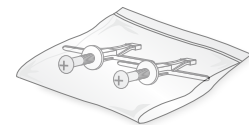
Ethernet cable



Power adapter (varies by region)



**Note:** The brackets and covers come preattached.



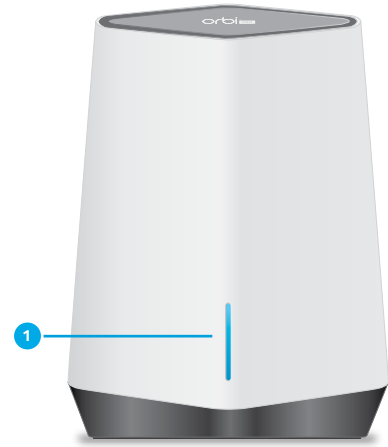
Wall anchors (2)



Screws (2)

### Hardware overview

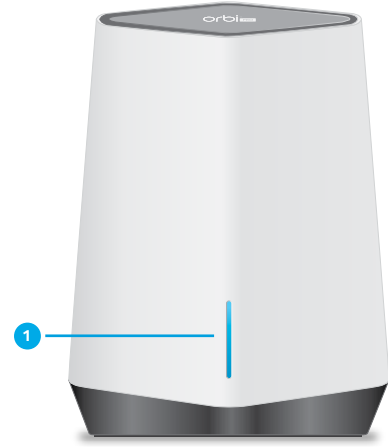
#### Orbi Pro WiFi 6 Router



Orbi Pro WiFi 6 Router

- 1 Bar LED
- 2 Sync button (also used for WPS connection)
- 3 WAN port that supports 1 Gigabit and 2.5 Gigabit Ethernet. Use this port for your WAN (Internet) connection.
- 4 LAN Ethernet ports 1-4. Ports 3 and 4 support link aggregation.
- 5 Power LED
- 6 Reset button
- 7 DC Power connector

#### Orbi Pro WiFi 6 Satellite

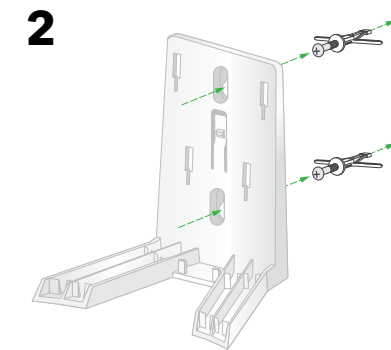
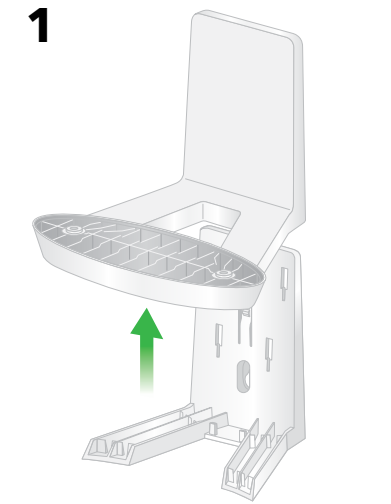


Orbi Pro WiFi 6 Satellite

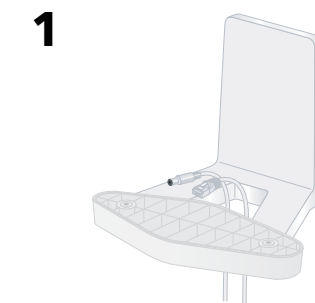
- 1 Bar LED
- 2 Sync button (also used for WPS connection)
- 3 LAN port that supports 1 Gigabit and 2.5 Gigabit Ethernet. Use the port for a high-speed LAN connection.
- 4 LAN Ethernet ports 1-4. Ports 3 and 4 support link aggregation.
- 5 Power LED
- 6 Reset button
- 7 DC Power connector

### Prepare the wall mount

**IMPORTANT:** You can install the wall mount only vertically on a wall. Do not install the wall mount horizontally or on the ceiling.



### Wall-mount the Orbi Pro



# Set up your Orbi Pro WiFi 6 Router and Satellite

To set up your router and satellite, you can use the NETGEAR Insight app or a web browser.

## NETGEAR Insight App setup

You can use the NETGEAR Insight app to sync your satellite with your Orbi Pro router. For more information about the app, visit <https://www.netgear.com/insight/>.



1. Download the NETGEAR Insight app from the Apple App Store or Google Play Store.



2. Launch the NETGEAR Insight app on your mobile device and follow the prompts.

## Web browser setup

1. Unplug your modem, remove and reinsert the backup battery if it uses one, and plug the modem back in.
2. Use an Ethernet cable to connect your modem to the 2.5G/1G WAN port on your Orbi Pro router.  
**Note:** If you want to connect your Orbi Pro router to an existing gateway, we recommend that you turn off your existing gateway's WiFi.
3. Connect your Orbi Pro router to a power source.  
The Power LED on the back of the Orbi Pro router lights green.
4. Wait for the Orbi Pro router's bar LED to light white.
5. Place the Orbi Pro satellite in a central location for the best WiFi coverage.
6. Connect the Orbi Pro satellite to a power source.  
The Power LED on the back of the Orbi Pro satellite lights green.
7. Connect your computer or mobile device to the Orbi Pro router or satellite with an Ethernet or WiFi connection:
  - **Ethernet.** Use an Ethernet cable to connect your computer to the Orbi Pro router or satellite.
  - **WiFi.** Use the preassigned WiFi network name (SSID) and password on the label of the Orbi Pro router or satellite to connect to the Orbi WiFi network.



8. Launch a web browser and type **orbilogin.com** in the address field.
9. If a login window opens, enter the user name and password.  
The user name is **admin** and the default password is **password**.
10. Follow the onscreen instructions.  
The Orbi Pro router's bar LED turns off after the setup is complete.

# Orbi Pro WiFi 6 Satellite sync information

The Orbi Pro satellite's bar LED lights white while the satellite attempts to sync with the Orbi Pro router. After the Orbi Pro satellite's bar LED lights white, it lights one of the following colors for about three minutes and then turns off:

- **Blue**  
The connection between the Orbi Pro router and Orbi Pro satellite is good.
- **Amber**  
The connection between the Orbi Pro router and Orbi Pro satellite is fair. Consider moving the Orbi Pro satellite closer to the Orbi Pro router.
- **Magenta**  
The Orbi Pro satellite was unable to connect to the Orbi Pro router. Move the Orbi Pro satellite closer to the Orbi Pro router.  
**Note:** If the bar LED still lights magenta after about one minute, press the **Sync** button on the back of the Orbi Pro router and on the back of the Orbi Pro satellite. When the Orbi Pro satellite syncs with the Orbi Pro router, the satellite's bar LED lights white then lights blue to indicate a good connection, and then turns off.

## Support and Community

Visit [netgear.com/support](https://www.netgear.com/support) to get your questions answered and access the latest downloads.

You can also check out our NETGEAR Community for helpful advice at [community.netgear.com](https://community.netgear.com).

## Regulatory and Legal

Si ce produit est vendu au Canada, vous pouvez accéder à ce document en français canadien à <https://www.netgear.com/support/download/>.

(If this product is sold in Canada, you can access this document in Canadian French at <https://www.netgear.com/support/download/>.)

For regulatory compliance information including the EU Declaration of Conformity, visit <https://www.netgear.com/about/regulatory/>.

See the regulatory compliance document before connecting the power supply.

For NETGEAR's Privacy Policy, visit <https://www.netgear.com/about/privacy-policy/>.

By using this device, you are agreeing to NETGEAR's Terms and Conditions at <https://www.netgear.com/about/terms-and-conditions>. If you do not agree, return the device to your place of purchase within your return period.

**NETGEAR, Inc.**  
350 East Plumeria Drive  
San Jose, CA 95134, USA

July 2020

**NETGEAR INTERNATIONAL LTD**  
Floor 1, Building 3  
University Technology Centre  
Curraheen Road, Cork,  
T12EF21, Ireland

© NETGEAR, Inc., NETGEAR and the NETGEAR Logo are trademarks of NETGEAR, Inc. Any non-NETGEAR trademarks are used for reference purposes only.