



# LCT 81C/TM

## Low-Profile Lay-In 600 x 600mm Ceiling Tile Loudspeaker with 200 mm (8 in) Driver

### Commercial Series

### Key Features:

- ▶ Component:
  - High efficiency 200 mm (8 in) dual-cone driver.
- ▶ Easy lay-in installation into 600 x 600 mm metric-style suspended grid ceilings. No cutting of ceiling tiles is necessary.
- ▶ Perforated metal grille included.
- ▶ Combined 70V/100V and low impedance direct operation.
  - 20 Watts at 8Ω (low-impedance) direct setting
  - 10 Watt multi-tap at 70V/100V with taps at 10W, 5W, 2.5W (and 1.3W for 70V only)
- ▶ Very low-profile at just 103 mm (4.1 in) deep, to fit into ceilings that are shallow or that contain obstructions.
- ▶ Easy bare-wire connection in protected compartment. Wire entrance from either top or side via knock-out.
- ▶ Very high 96 dB sensitivity turns power from small amplifiers into maximum sound level for listeners.
- ▶ Designed for high speech intelligibility.
- ▶ 100° coverage pattern (conical).
- ▶ UL1480A and UL2043 certifications for use in ceiling plenum spaces.



### Applications:

LCT 81C/TM is a full-range ceiling speaker designed to lay into a 600 x 600 mm metric suspended grid ceiling, with no cutting of ceiling tiles required, making for an easy and cost-effective installation with a minimum of mess. The low profile depth of only 100 mm (4 in) allows the speaker to fit in locations where deeper loudspeakers do not.

This loudspeaker is designed to provide excellent performance for paging and light-to-medium music in a wide variety of applications, including education classrooms, business music systems, retail stores, music/paging systems, airports, reception/waiting rooms, lounges, courtrooms, meeting rooms, and more.

The very high sensitivity of 96 dB provides maximum sound level, even at low tap settings.

LCT 81C/TM contains a 200 mm (8 in) dual-cone driver with a very high 96 dB sensitivity. The driver features a 25 mm (1 in) diameter voice coil with a Kapton coil-former and high-temperature wire for better power dissipation and long-term reliability.

The speaker's built-in 10 Watt transformer provides versatility by allowing use on 100V or 70V distributed loudspeaker lines, as well as at 8 ohms (low impedance) for driving directly from a low-impedance power amplifier. Adjusting is convenient via a rotary switch on the side of the rear enclosure.

Two safety seismic attachment tabs are provided for securing to ceiling deck, plus 4 holes are provided -- one in each corner. The color of the perforated grille is white.

(Not for 2' x 2' US-type ceiling systems. Use LCT 81C/T.)

### Specifications:

System:	
Frequency Range (-10 dB) <sup>1</sup> :	100 Hz – 16 kHz
Power Capacity (at low-Z) <sup>2</sup> :	40 Watts Continuous Program Power 20 Watts Continuous Pink Noise
Nominal Sensitivity <sup>3</sup> :	96 dB
Nominal Coverage Angle:	100° conical coverage (ave. 1 kHz - 4 kHz)
Rated Maximum SPL:	108 dB @ 1 m (3.3 ft) average, 114 dB peak (at 8Ω setting)
Nominal Impedance:	8 ohms (in Direct/Thru 8Ω setting)
Transformer Taps:	10 W, 5 W, 2.5 W @ 70V or 100V (plus 1.3 W @ 70V only)
Transducer:	
Full-Range Driver:	High-efficiency 200 mm (8 inch) dual-cone driver with 25 mm (1 in) diameter voice coil, Kapton coil former, and high-temperature voice coil wire.
Enclosure:	
Input Connection:	Bare wire inside protected in touch-proof wiring compartment.
Materials:	Steel rear enclosure, front baffle, and perforated grille
Grille Color:	White
Safety Agency:	Suitable for use in air handling spaces. Certified per: UL1480A -- Speakers for Fire Alarm and Signaling Systems; UL2043 -- Standard for Fire Test for Heat and Visible Smoke Release for Discrete Products Installed in Air-Handling Spaces; NFPA90 & NFPA70; S7232/UL Listed, Signaling Speaker.
Dimensions:	595 x 595 x 103 mm (23.4 x 23.4 x 4.1 in)
Net Weight:	6.9 kg (15.2 lbs) each
Shipping Weight:	15.5 kg (34.2 lbs) per pair-pack
Ceiling Cutout Size:	No cutout required. Speaker drops into ceiling grid (see installation drawing)
Suspension / Safety-Seismic Attachment Points:	Two tabs on back baffle, plus 4 holes in corners

<sup>1</sup> Half-space (flush mounted in ceiling)

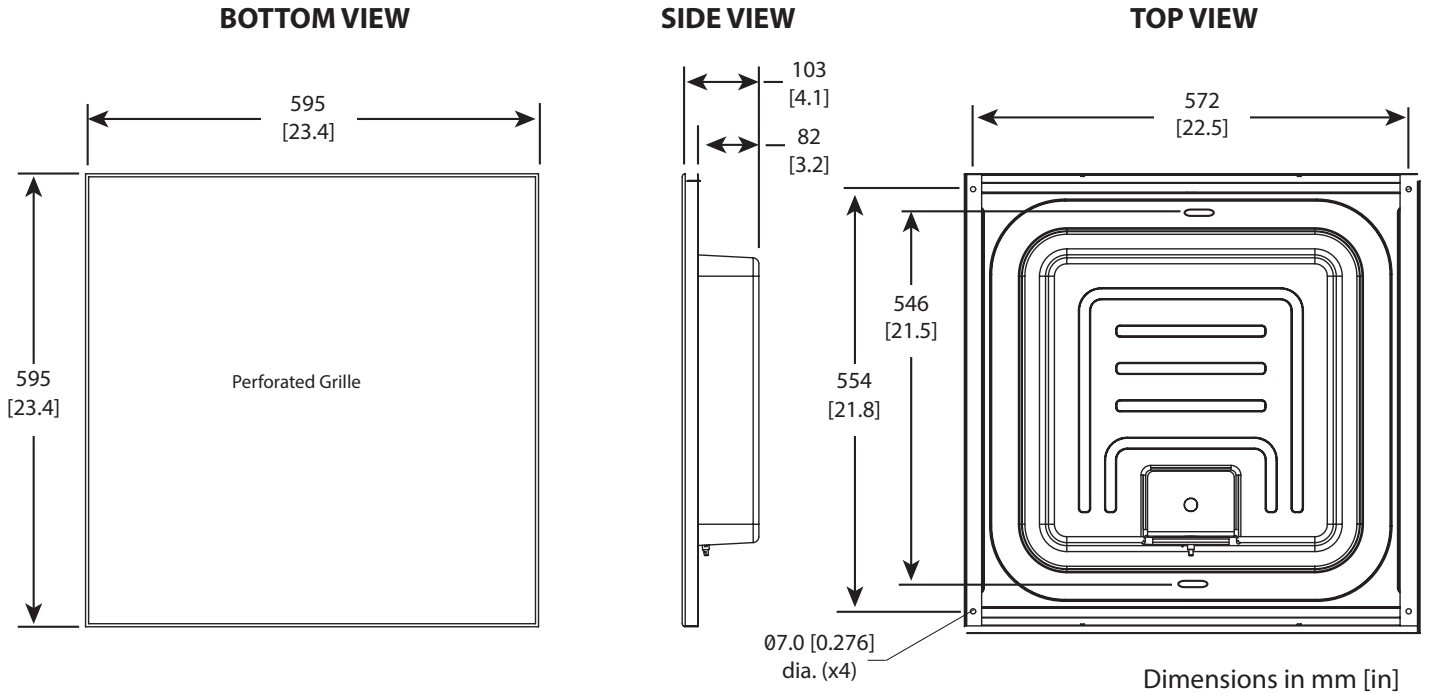
<sup>2</sup> Continuous Pink Noise Rating is IEC-shaped pink noise with a 6 dB crest factor for 100 hours continuously. Continuous Program Power is a conservative expression of the system's ability to handle normal speech and music program material, and is defined as 3 dB above the Continuous Pink Noise Rating.

<sup>3</sup> Half-space (in ceiling) average 2 kHz to 6 kHz.

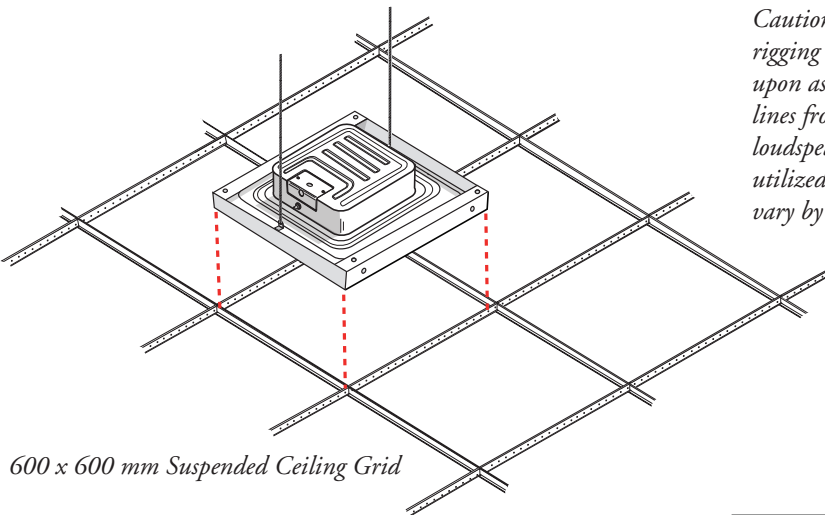
JBL continually engages in research related to product improvement. Changes introduced into existing products without notice are an expression of that philosophy.

# ► LCT 81C/TM Low-Profile Lay-In 600 x 600mm Ceiling Tile Loudspeaker with 200 mm (8 in) Driver

## Dimensions:



## Installation:



600 x 600 mm Suspended Ceiling Grid

*Caution: Installation must be done by qualified persons using safe rigging standards. Suspended ceiling grids can usually not be relied upon as sole support for loudspeaker. Diagram shows two support lines from suspension safety-attachment tabs on back baffle of loudspeaker. Four holes located near corners of frame can be utilized instead or in addition. Safety installation requirements vary by region. Consult a qualified installation professional.*



JBL Professional  
8500 Balboa Boulevard, P.O. Box 2200  
Northridge, California 91329 U.S.A.  
[www.jblpro.com](http://www.jblpro.com)