



### 24" IPS technology panel with USB-C dock

Equipped with a USB-C dock connector, the XUB2492HSN allows you to simplify your workspace by using a single cable to both send signal from your notebook to your monitor and power and charge the notebook from the monitor. Additionally, if your monitor is connected to the Internet with a LAN cable, your notebook will automatically be connected to the network as well. Thanks to a DisplayPort output you can easily extend your desktop by creating a double-monitor set-up.



USB-C dock

The dock allows you to connect your laptop with a single cable to the monitor to both make sure it is charged and connected to a wired network and signal from the laptop is sent to the monitor. A second monitor can be connected to the DisplayPort (MST) output to create a multi-monitor set-up. With additional USB-ports, your mouse, keyboard or webcam can also be connected to the monitor. All thanks to a single cable connecting your laptop\* to the USB C dock in the monitor.

\*Functions vary depending on your laptop USB-C support.



IPS Technology

IPS displays are best known for wide viewing angles and natural, highly accurate colours. They are especially suited for colour-critical applications.

## 01 DISPLAY CHARACTERISTICS

Design	ultra slim
Diagonal	23.8", 60.5cm
Panel	IPS Panel Technology LED, matte finish
Native resolution	1920 x 1080 @75Hz (2.1 megapixel Full HD)
Aspect ratio	16:9
Brightness	250 cd/m <sup>2</sup> typical
Static contrast	1000:1 typical
Advanced contrast	80M:1
Response time (GTG)	4ms
Viewing zone	horizontal/vertical: 178°/178°, right/left: 89°/89°, up/down: 89°/89°
Colour support	16.7mIn (sRGB: 99%; NTSC: 72%)
Horizontal Sync	30 - 85kHz
Vertical Sync	55 - 75Hz
Viewable area W x H	527 x 296.5mm, 20.7 x 11.7"
Pixel pitch	0.275mm
Colour	matte, black

## 02 INTERFACES / CONNECTORS / CONTROLS

Signal input	HDMI x1 (1920 x 1080@ 75Hz) DisplayPort x1 (1920 x 1080@ 75Hz)
Signal output	DisplayPort x1 (Daisy Chain MST max. 1920 x 1080)
USB HUB	x2 (v.3.0)
USB C dock	x1 (Power delivery 65W, LAN, DP out, USB 3.0)
HDCP	yes
Headphone connector	yes

## 03 FEATURES

Blue light reducer	yes
Flicker free	yes
OSD languages	EN, DE, FR, ES, IT, RU, JP, CZ, NL, PL
Control buttons	Power, Menu/ Select, Up/ Volume, Down/ ECO, Exit, Input
User controls	picture adjust (brightness, contrast, Eco, blue light reducer, ACR, OD), colour settings (colour temp., user preset, i-Style colour), OSD (OSD H. position, OSD V. position, OSD rotate, OSD time), language, recall, miscellaneous (sharp and soft, video mode adjust, opening logo, USB BC, MST, information), input select, audio settings (volume, mute)
Speakers	2 x 2W
Convenience	Kensington-lock™ prepared, DDC2B

## 04 MECHANICAL

Display position adjustments	height, swivel, tilt, pivot (rotation both sides)
Height adjustment	130mm
Rotation (PIVOT function)	90°
Swivel stand	90°; 45° left; 45° right
Tilt angle	22° up; 5° down

VESA mounting	100 x 100mm
Cable management system	yes
Operation temperature range	5°C - 35°C

## 05 ACCESSORIES INCLUDED

Cables	power (1.5m), HDMI (1.5m)
USB-C	1m (on)
Other	quick start guide, safety guide

## 06 POWER MANAGEMENT

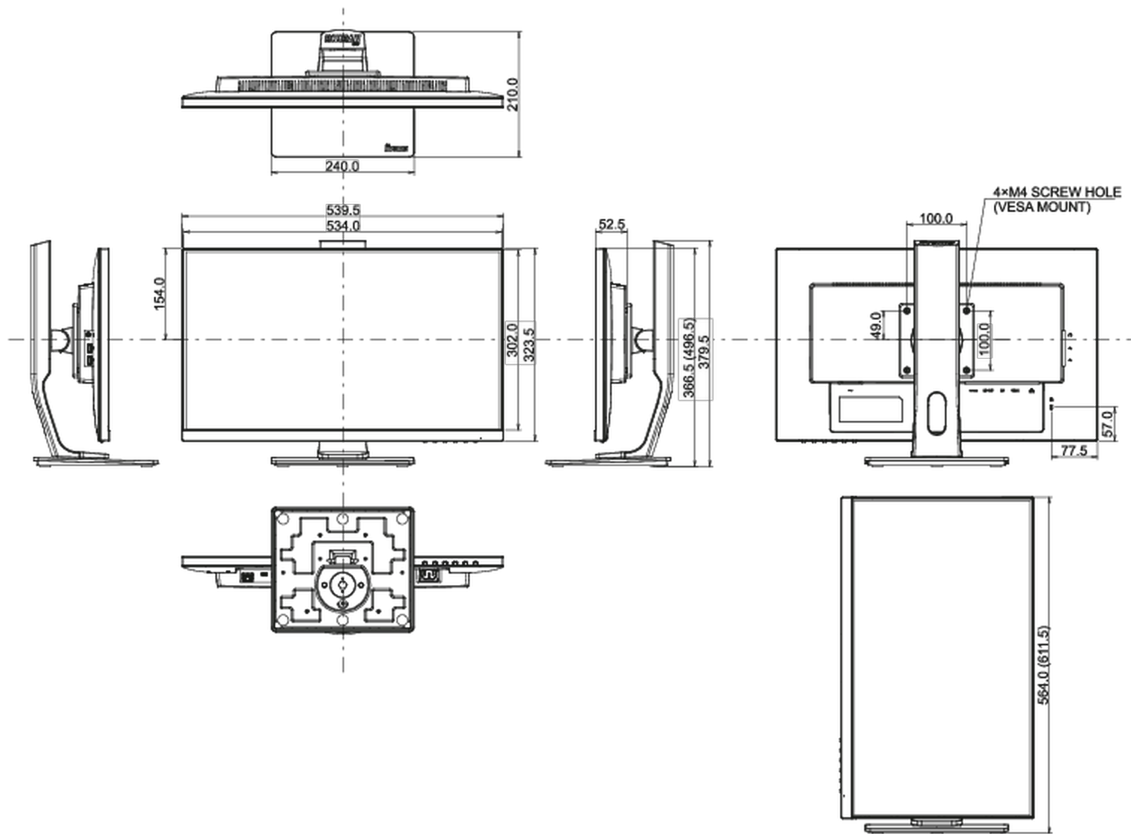
Power supply unit	internal
Power supply	AC 100 - 240V, 50/60Hz
Power usage	19W typical, 0.5W stand by, 0.5W off mode

## 07 SUSTAINABILITY

Regulations	TCO, CE, TÜV-GS, EAC, VCCI-B, PSE, RoHS support, ErP, WEEE, REACH
Energy efficiency class	A+
Other	REACH SVHC above 0.1%: Lead

## 08 DIMENSIONS / WEIGHT

Product dimensions W x H x D	539.5 x 366.5 (496.5) x 210mm
Box dimensions W x H x D	688 x 401 x 206mm
Weight (without box)	5.4kg
EAN code	4948570117864



## 09 EU ENERGY EFFICIENCY LABEL

Manufacturer	iiyama
Model	ProLite XUB2492HSN-B1
Energy efficiency class	A+
Visible screen diagonal	60.5cm; 23.8"; (24" segment)
ON mode power consumption	19W
Annual energy consumption	27kWh/annum*
Power in Standby	0.5W stand by
Power in OFF Mode	0.25W off mode
Resolution	1920 x 1080

*This is information under Regulation (EU) No 1062/2010.\*Based on the power consumption of the television operating 4 hours per day for 365 days. The actual energy consumption will depend on how the television is used.*

*All trademarks and registered trademarks acknowledged. E & O E. Specification subject to change without notice. All LCD's comply with ISO-9241-307:2008 in connection with pixel defects.*

© IIYAMA CORPORATION. ALL RIGHTS RESERVED