

AVENAR panel 2000

www.boschsecurity.com



BOSCH
Invented for life



- ▶ Compact modular fire panel, expandable up to 4 loops, provides customized solutions for small to medium size applications
- ▶ High resolution display with bright colors to indicate alarms and events
- ▶ 8" touch pad with fixed and programmable buttons, thus adaptable to the situation
- ▶ Integrated Ethernet switch for networking and interfaces to remote services, building management and voice alarm systems
- ▶ Adaptable to local requirements and regulations

The fire panel allows mixed operation of analog addressable and conventional technology. It supports connecting periphery in either stub or loop topologies. Analog addressable fire detectors, manual call points, signaling devices, inputs and outputs are identified and managed by the fire panel as single elements. As required by the building structure the peripherals are grouped software wise in logical zones.

The compact modular fire panel comes as a kit in a housing. The functional modules can be plugged onto the rail inside the housing. The rail provides power and internal communication to the functional modules.

A wide range of functional modules is available providing different connections and functions: addressable loops, conventional zones, inputs and outputs as well as interfaces to various devices. The fire alarm panel can be equipped with six functional modules of which a maximum of four can be analog addressable loop modules. This makes the fire panel suitable for small to medium size applications.

The fire panel is available with two different types of housings:

- Wall mount housing
- Frame mount housing

The slim wall mount housings are for mounting directly to the wall. Frame mount housings require an additional frame between the housing and the wall. The frame lets space for e.g. cabling, media converters, and larger batteries. Special installation kits also allow installation in 19" racks.

The panel controller is the central component of the fire panel. A color display shows all messages. The touch screen is for operation of the entire system. The user-friendly interface adapts to various situations. This causes correct operation that is simple and clear as well as targeted and intuitive.

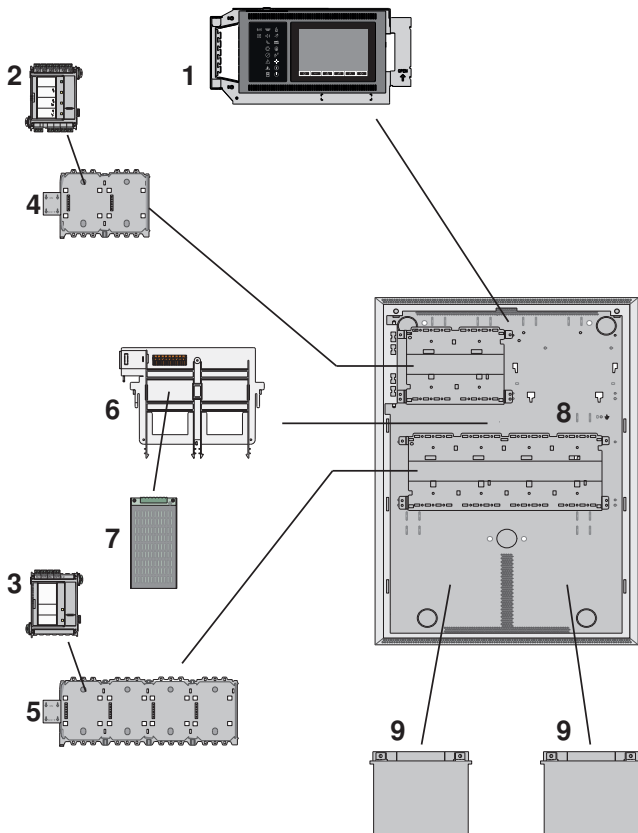
Panels and keypads of the AVENAR series and of the FPA-5000 series (MPC-xxxx-B and MPC-xxxx-C) can be combined in one panel network using the Ethernet and the CAN bus interfaces. The remote keypad is for decentralized operation of the panel or of the panel network.

Integration into large-scale systems can be done by an Ethernet interface to the Bosch Hierarchy panel (UGM) or to Building Integration System (BIS). Integration into third party management systems is possible with the availability of OPC server and Software Development Kit.

A data interface enables monitoring and full control of Bosch voice alarm systems. This makes the fire panel a complete safety solution.

The fire panel is configured on a laptop using the FSP-5000-RPS programming software. The programming software enables further adaptation, e.g. to country-specific requirements and regulations.

System overview



Example configuration

- | | |
|--|--|
| 1 FPE-2000-PPC Panel controller, premium license | 2 BCM-0000-B Battery Controller Module |
| 3 LSN 0300 A LSN bus module | 4 PRS-0002-C Panel Rail Short |
| 5 PRD 0004 A Panel Rail Long | 6 Power supply bracket |
| 7 Power supply unit | 8 CPH 0006 Panel Housing for 6 Modules |
| 9 Batteries | |

Functions

AVENAR panel 2000 is a compact modular fire panel for small to medium size systems. It comes standard in a housing with panel controller, power supply, battery controller module and one LSN loop module.

Depending on the project specific needs, the fire panel can be extended with up to four LSN 0300 A loop modules, in total six functional modules. Each loop can contain up to 254 LSN elements.

Alarm indication

All messages are shown on the display with a bright color. The displayed messages contain the following information:

- Message type
- Type of the triggering element
- Description of the exact location of the triggering element
- Logical zone and sub-address of the triggering element

18 Icon LEDs give continuous information about the operating status of the panel or the system. A red icon LED shows an alarm. A blinking yellow icon LED shows a fault. A steady yellow icon LED shows a disabled function. A green icon LED shows proper operation. Two status LEDs, one red and one yellow, are programmable. The red one shows a self-defined alarm. The yellow one shows a self-defined fault or deactivation.

Additional annunciator modules, each with 16 red and 16 yellow LEDs are available to indicate a larger number of self-defined alarms, faults or deactivations.

Operation and processing of messages

For operating the panel, an 8 inch touch pad as input medium is put upon the display. There are 6 buttons with fixed functionality as well as 3 programmable function keys.

Examples for the assignment of the function keys:

- Set the panel controller to day mode, set the panel controller to night mode
- Enable detection points or outputs, disable detection points or outputs
- Set standard sensor sensitivity, set alternative sensor sensitivity

Each function key has a virtual status indicator.

At any time, an operator with sufficient user rights can control the function keys.

Overview of evacuation zones and outputs

At any time, the operator can get a clear overview of each evacuation zone and of each output connected to the fire protection equipment. Each zone and each output is marked with a programmable text label and a clearly distinctive color reflecting the state: Green shows idle state, power is available. Red shows an activation during fire alarm condition, and fuchsia an activation without a fire alarm condition. Yellow shows a fault or disabled state. An operator with sufficient user rights is able to start the evacuation in selected zones and activate outputs connected to the fire protection equipment through the user interface.

Saving and printing messages

The history log keeps incoming alarms and events internally. The history log has a capacity to store 10000 messages. The messages can be shown on the display, and you can export the messages. Additionally, you can connect a log printer via a serial interface module for real-time printing incoming messages.

Languages

The operator can change the language of the user interface. A printed quick user guide for each language is supplied with the package. Following languages are included: English, German, Bulgarian, Croatian, Czech, Danish, Dutch, Estonian, French, Greek, Hungarian, Italian, Latvian, Lithuanian, Polish, Portuguese, Romanian, Russian, Serbian, Slovak, Slovenian, Spanish, Swedish and Turkish.

Operator management

The system can have up to 200 different registered operators. Login is permitted with a user ID and an 8-digit pin code.

There are four different authorization levels. Depending on the authorization level it is possible for the operator to do certain functions according to EN54-2.

Licenses

The panel controller is delivered with a hard coded software license. This software license is implemented during production and cannot be modified, revoked or transported. The license defines the maximum panel network size and availability of certain features and interfaces.

	AVENAR panel 2000, standard license	AVENAR panel 2000, premium license
Ethernet interface to		
Building management system (OPC server, BIS, FSM-5000-FSI)		•
UGM-2040 Hierarchy panel		•
Voice alarm system (Smart Safety Link)		•
Monitoring and control		
Status overview	•	•
Simultaneous control	•	•
Individual control		•
Modularity (maximum number)		
Slots for functional modules (max number including slots for LSN modules)	6	6
LSN modules (max number)		
LSN 0300 A modules (1 slot per module)	4	4
LSN 1500 A modules	0	0
Panel redundancy		
Redundant panel controller		
Keypad as redundant panel controller		
Network		
Panel network	remote keypads	panels, remote keypads, servers
Max. number of nodes	4 (1 panel, 3 keypads)	32

In total four AVENAR panel 2000 kits are available:

- FPA-2000-SFM: Standard license. Frame mount housing
- FPA-2000-PFM: Premium license. Frame mount housing

- FPA-2000-SWM: Standard license. Wall mount housing
- FPA-2000-PWM: Premium license. Wall mount housing

CTN	Description	FPA-2000-SFM	FPA-2000-PFM	FPA-2000-SWM	FPA-2000-PWM
FPE-2000-SPC	Panel controller, standard license	1	-	1	-
FPE-2000-PPC	Panel controller, premium license	-	1	-	1
LSN 0300 A	LSN bus module 300mA			1	
BCM-0000-B	Battery Controller Module			1	
PRS-0002-C	Panel Rail Short			1	
PRD 0004 A	Panel Rail Long			1	
UPS 2416 A	Universal Power Supply			1	
FDP 0001 A	Dummy Cover Plate			3	
CPH 0006 A	Panel Housing for 6 Modules	1			-
FBH 0000 A	Mounting frame, large	1			-
HCP 0006 A	Panel Housing for 6 Modules	-			1
FPO-5000-PSB-CH	Power supply bracket	-			1

Functional modules

Functional modules are independent encapsulated units. They are placed into a slot of a panel rail. The power supply and the data traffic with the panel are therefore provided automatically. The module is identified by the panel with no further settings and operates in the default operating mode (plug and play).

Wiring to external components is performed using compact connector/screw terminals. After a replacement, only the connectors need to be reinserted, there is no need for extensive rewiring.

Module	Description	Function
ANI 0016 A	Annunciator module	Indicating system statuses, with 16 red and 16 yellow freely programmable LEDs
BCM-0000-B	Battery controller module	Controlling the power supply to the panel and the battery charge level
CZM 0004 A	Conventional zone module	Connecting conventional peripheral devices using four monitored conventional lines
ENO 0000 B	External notification module	Connecting fire service equipment complying with DIN 14675
FPE-5000-UGM	Module interface to UGM	Connection to UGM systems

Module	Description	Function
IOP 0008 A	Input-output module	Individual displays or flexible connection of various electrical devices, with 8 independent digital inputs and 8 open collector outputs
IOS 0020 A	Communication module, 20mA	With S20 and RS232 interfaces
IOS 0232 A	Communication module, RS232	Connection of two devices using two independent serial interfaces, e.g. Plasma or a printer.
LSN 0300 A	LSN bus module 300mA	Connection of an LSN loop with up to 254 LSN improved elements or 127 LSN classic elements at a maximum line current of 300 mA
NZM 0002 A	Notification appliance zone module	Allows connection of two conventional, monitored notification appliance circuit lines
RMH 0002 A	Relay module high-voltage	Monitored connection of external elements with feedback, with two changeover contact relays suitable for switching mains voltage
RML 0008 A	Relay module low-voltage	For low voltage switching, with eight changeover contact relays

**Notice**

Safety Systems Designer can be used to plan fire alarm systems that conform to the relevant limits (e.g. in terms of cable length and power supply).

**Notice**

Safety Systems Designer for fire alarm systems enables the system dimensions, the energy requirements and the quantity and prices of the elements required to be estimated at each different phase in the planning process.

The software is designed for planners and engineering offices that want to produce a quotation for a fire alarm system.

Detection points

Each element or input that can trigger an alarm counts as a detection point. In accordance with EN54-2, do not connect more than 512 detection points and manual call points to one AVENAR panel 2000!

In case of more than 512 detectors and manual call points, apply the detectors to more AVENAR panels. All elements and inputs that do not use the Input type in the Message type setting are regarded as detection points. Therefore, all elements and inputs for which one of the following settings is programmed as the Message type are regarded as detection points:

- Fire
- Internal fire
- Supervisory
- Multi-criterion
- Smoke
- Fault
- Heat
- Water

Only some of these message types are available for selection depending on the element type. The elements and inputs that can trigger an alarm include all manual and automatic detectors, as well as the modules and interface modules listed below on the basis of the available inputs.

Modules	Detection Points
CZM 0004 A	Up to 4 (1 detection point per zone)
IOP 0008 A	Up to 8 (1 detection point per monitored input)
RMH 0002 A	Up to 2
ENO 0000 B	requires 1 detection point only if a FSE release element is connected and programmed using the FSP-5000-RPS programming software
FPP-5000-TI	2

Interface Modules	Detection Points
FLM-420/4CON	Up to 2
FLM-420-I8R1	Up to 8

FLM-420-I2 Up to 2

FLM-420-08I2 Up to 2

FLM-420-01I1 Up to 1

FLM-420-RHV Up to 2

FLM-420-RLE-S Up to 2

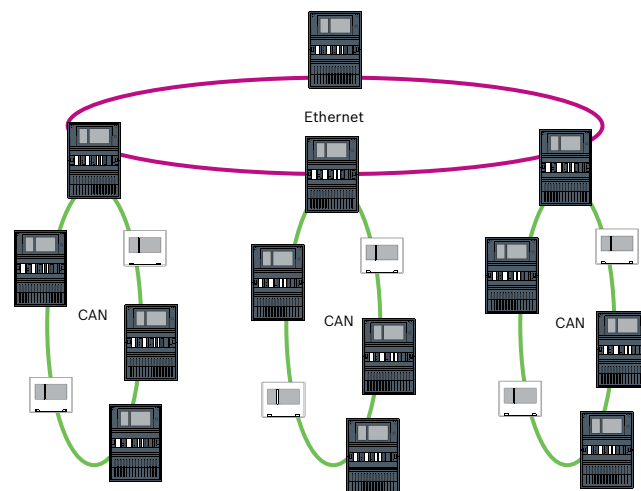
Networking

A panel controller with premium license can be networked with up to 32 panel controllers, remote keypads and OPC servers.

Panels and keypads display all messages, or you can form a group of panels and keypads. Within one group, only messages of this group are displayed.

A variety of fire alarm network topologies are possible:

- CAN loop
- Ethernet loop
- Ethernet/CAN double loop
- CAN loop with Ethernet segments
- Ethernet backbone with sub-loops (Ethernet/CAN)

**Interfaces**

The panel controller features

- 2 CAN interfaces (CAN1/CAN2) for networking
- 1 Rail connector
- 4 Ethernet interfaces (1 / 2 / 3 / 4) for networking, prescribed usage:
 - 1 and 2 (blue): Panel network
 - 3 (green): Building management system, hierarchy panel, voice alarm system
 - 4 (red): Remote Services
- 2 signal inputs (IN1/IN2)
- 1 USB function interface for configuration via FSP-5000-RPS
- 1 Memory card interface

Installation/configuration notes

- The FSP-5000-RPS programming software enables adaption to project- and country-specific requirements. The programming software and the associated documentation can be found at

www.boschsecurity.com for those with access rights. Information about the programming software is also included in FSP-5000-RPS online help.

General planning instructions

- Country-specific standards and guidelines must be considered during planning.
- The regulations issued by regional authorities and institutions (e.g. fire service) must be adhered to.
- Please note that standards and guidelines may require that a maximum of one function in more than one zone may fail.
For example, if the auxiliary power fails, only the fire detectors and/or manual call points of one zone may fail.
- We recommend the use of loops wherever possible, as they offer far greater security than stub lines.
- Terminating each stub and each T-tap with EOL modules is essential to set up a complete fire alarm system with extended line monitoring (creeping short circuit and creeping open monitoring).
- Conventional detectors of the Bosch portfolio for fire products can be connected using one of the following methods:
 - Using the CZM 0004 A 4 Zone Conventional Module
The module provides four DC primary lines (zones).
 - Using an FLM-420/4-CON GLT interface module on the LSN bus for two zones
- Consider the system limit for the number of LSN elements.
- Each element and input which is able to set off an alarm requires a detection point. Inputs are considered as detection points if they are programmed accordingly using the FSP-5000-RPS Programming Software.
- In accordance with EN 54-2, no more than 512 detectors and their functions may fail if a system component fails.
- 12 V/45 Ah batteries can only be used with the frame installation housings.
- Use fuses complying with national regulations to protect the power lines.
- Recommended fire detector cable: J-Y(St)Y 2 x 2 x 0,8 mm, red.

System limits for each LSN module

- It is possible to combine LSN interface modules, LSN detectors and notification appliances on one loop or stub line.
- For a mixed connection of LSN classic elements and LSN improved elements, a maximum of 127 elements are permitted.
- The use of unshielded cables is possible.
- Limits per LSN 0300 module:
 - Up to 127 LSN classic elements or 254 LSN improved elements can be connected
 - Current consumption of up to 300 mA
 - Cable length of up to 1600 m

Environmental Conditions

- Assembly and operation of the fire panel must be carried out in a clean and dry indoor location.

- Permissible relative humidity: max. 95 % at 25°C, non-condensing
- To ensure optimum battery service life, the panel should only be operated at sites with normal room temperatures.
- Do not operate devices showing condensation.

Positioning

- Operating and display elements should be positioned at eye level.
The distance between the upper edge of the housing and the center of the panel controller display is around 11 cm. For example, if the eye level required is 164 cm, the housing upper edge installation dimension is 175 cm.
- For frame installation housings, a clearance of at least 230 mm is required to the right of the last housing to swivel out the installed housing (e.g. for connection, maintenance or service).
- Sufficient space should be left below and next to the panel for any possible extensions, e.g. for an additional power supply or an extension housing.

Building Management System

- If connected to a building management system (Bosch Building Integration System BIS) via an Ethernet interface using an OPC server, the following must be noted:
In a multi-building network, it is essential to clarify with the network administrator whether the network is designed for multi-building connections (e.g. no interference due to differences in grounding potential).

Technical specifications

General system limits

Panels/remote keypads/OPC servers in the network	Max. number
Ethernet / CAN (premium license)	32
LSN elements	Max. number
Stand-alone panel	1016
Per network panel	1016
Total network	32512
Detection points	Max. number
EN 54 compliant panel	512
Stand-alone panel, not EN54 compliant	4096
Networked panel, not EN 54 compliant	2048
Total network	32768
NAC groups	Max. number
NAC groups with more than one FNM-420, per loop	6

Voice alarm system	Max. number
In CAN network, per panel (premium license)	1
In total Ethernet network (premium license)	1
Triggers (each trigger counts as one sounder group)	244

System limits per fire panel

Per fire panel	Max. number
Sets, e.g. bypass group	192
Functional modules	6
Printer	4
Alarm counters (external, internal, testing)	3
Entries in the event database	10000
FSP-5000-RPS configuration interfaces (USB)	1
Maximum number of outputs (sounders, controls, etc.) activated in parallel due to the same event	508

Configuration limits per fire panel

Configuration limits per fire panel (FSP-5000-RPS)	Max. number
Timer channels	20
Time control programs	19
Configuration for a Specific Day	365
Permission levels	4
User profiles	200
Sum counters and counters (in total)	60000
Exportable objects including counters in the entire panel cluster (without pre-defined system counters)	2000
Importable objects including counters (without pre-defined system counters)	2000
Automatic connections to remote keypad	3
Blocks of State-Dependent Rules (depending on what kind of activations are possible)	8
Maximum number of rules within a block	254

Number of functional modules

Number of functional modules	Max. number
ANI 0016 A	4
BCM-0000-B	5
CZM 0004 A	4
ENO 0000 B	4
FPE-5000-UGM	4
IOP 0008 A	4

Number of functional modules	Max. number
IOS 0020 A	4
IOS 0232 A	4
LSN 0300 A	4
LSN 1500 A	0
NZM 0002 A	4
RMH 0002 A	4
RML 0008 A	4

Power loss of panel components

Component	Power loss
ANI 0016 A	0.62 W (all LEDs lit)
BCM-0000-B	<ul style="list-style-type: none"> 0.96 W (controller + green LED lit) 1.44 W (per AUX with 1.06 A load)
CZM 0004 A	<ul style="list-style-type: none"> 1.65 W (for a line with 100 mA load) 3.36 W (for 4 lines with 100 mA load each)
ENO 0000 B	<ul style="list-style-type: none"> 1.44 W (1 relay activated) 7.80 W (4 relays activated + key deposit heating active)
FPE-2000-PPC	max. 10 W
FPE-2000-SPC	max. 10 W
FPE-5000-UGM	0.17 W
IOP 0008 A	0.24 W
IOS 0020 A	0.36 W
IOS 0232 A	0.36 W
LSN 0300 A	<ul style="list-style-type: none"> 1.50 W (AUX with 490 mA load) 2.72 W (LSN)
NZM 0002 A	0.96 W
PRD 0004 A	0.07 W
PRS-0002-C	0.07 W
RMH 0002 A	1.16 W
RML 0008 A	1.04 W (all relays activated)
UPS 2416 A	28.00 W

Electrical

Input voltage range	100 - 240 V AC
Input frequency range	50 Hz to 60 Hz
Power source (EN 62368-1)	PS 3
Electrical source (EN 62368-1)	ES 3

Terminals 24 V+/- ①, 24 V+/- ②:	
Output voltage (min-max)	20.4 - 30 V battery-buffered
Output current (min-max) (x 2)	0 - 2.8 A
Power source (EN 62368-1)	PS 2
Electrical source (EN 62368-1)	ES 1

Mechanical

Flammability rating	UL94-V0
LCD display (pixels)	7" color WVGA 800 x 480
Operating and display elements	<ul style="list-style-type: none"> • 6 keys • 18 LEDs
Housing material	Sheet steel, painted
Housing color	Slate gray, RAL 7015
Front color	Anthracite, RAL 7016
Battery type for wall-mount version ¹	12V 24-27Ah
Battery type for frame-mount version ²	12V 38-45Ah

¹ Order info: IPS-BAT12V-27AH, F.01U.579.781; ² Order info: IPS-BAT12V-45AH, F.01U.579.782

Environmental

Safety class according to EN 62368-1	Class 1 equipment
Permissible ambient temperature during operation	-5 °C to 50 °C
Permissible storage temperature	-20 °C to 60 °C
Relative humidity	Max. 95% non-condensing @25 °C
Protection category	IP 30
Cooling	Natural convection*

*Do not obstruct the vent holes.

Ordering information

FPA-2000-PWM Panel kit premium license, wall-mount

AVENAR panel 2000 is a compact modular fire panel for small to medium size systems. It comes standard in a housing with panel controller, power supply, battery

Represented by:

Europe, Middle East, Africa:
 Bosch Security Systems B.V.
 P.O. Box 80002
 5600 JB Eindhoven, The Netherlands
 Phone: + 31 40 2577 284
 emea.securitysystems@bosch.com
 emea.boschsecurity.com

Germany:
 Bosch Sicherheitssysteme GmbH
 Robert-Bosch-Ring 5
 85630 Grasbrunn
 Germany
 www.boschsecurity.com

North America:
 Bosch Security Systems, LLC
 130 Perinton Parkway
 Fairport, New York, 14450, USA
 Phone: +1 800 289 0096
 Fax: +1 585 223 9180
 onlinehelp@us.bosch.com
 www.boschsecurity.us

Asia-Pacific:
 Robert Bosch (SEA) Pte Ltd, Security Systems
 11 Bishan Street 21
 Singapore 573943
 Phone: +65 6571 2808
 Fax: +65 6571 2699
 apr.securitysystems@bosch.com
 www.boschsecurity.asia

controller module and one LSN loop module. Depending on the project specific needs, the fire panel can be extended with up to four LSN 0300 A loop modules, in total six functional modules. Each loop can contain up to 254 LSN elements.

The wall-mount panel kit includes a panel controller premium license.

Order number **FPA-2000-PWM**

FPA-2000-SFM Panel kit standard license, frame-mount

AVENAR panel 2000 is a compact modular fire panel for small to medium size systems. It comes standard in a housing with panel controller, power supply, battery controller module and one LSN loop module.

Depending on the project specific needs, the fire panel can be extended with up to four LSN 0300 A loop modules, in total six functional modules. Each loop can contain up to 254 LSN elements.

The frame-mount panel kit includes a panel controller standard license.

Order number **FPA-2000-SFM**

FPA-2000-SWM Panel kit standard license, wall-mount

AVENAR panel 2000 is a compact modular fire panel for small to medium size systems. It comes standard in a housing with panel controller, power supply, battery controller module and one LSN loop module.

Depending on the project specific needs, the fire panel can be extended with up to four LSN 0300 A loop modules, in total six functional modules. Each loop can contain up to 254 LSN elements.

The wall-mount panel kit includes a panel controller standard license.

Order number **FPA-2000-SWM**

FPA-2000-PFM Panel kit premium license, frame-mount

AVENAR panel 2000 is a compact modular fire panel for small to medium size systems. It comes standard in a housing with panel controller, power supply, battery controller module and one LSN loop module.

Depending on the project specific needs, the fire panel can be extended with up to four LSN 0300 A loop modules, in total six functional modules. Each loop can contain up to 254 LSN elements.

The frame-mount panel kit includes a panel controller premium license.

Order number **FPA-2000-PFM**