

Owner's Manual

SmartOnline®

Single-Phase Rack-Mount Online UPS with Built-in LCD Monitoring & Control Screen

Not suitable for mobile applications.

Models:

**SU5KRT3UHV, SU5KRT3UX, SU5KRT3UG, SU5KRT3UHW,
SU6KRT3UHV, SU6KRT3UX, SU6KRT3UG, SU6KRT3UHW**

(Series Number: AG-0358)

1. Overview	2	6. Operations	14
Parts List	2	LCD Front Panel Display and Controls	14
Additional Accessory Options	2	LED Front Panel Indicators	14
2. Important Safety Instructions	2	Front Panel Button Functions	15
3. UPS Circuit Block Diagram	5	Home Screen Layout	15
4. Installation	6	Basic Connection and Start-Up	16
Internal Battery Rotation	6	Power Strategy Selection Options	19
Rack Mounting	8	Front Panel LCD Selection and Configuration Options	21
Tower Mounting	9	Configuring External Battery Packs	24
Hardwire Input and Output Wiring Instructions (Optional with Select Models)	10	7. Optional Connections	25
UPS Input and Output Overview	11	8. Troubleshooting and Event Log	28
5. Features	11	9. Internal Battery Replacement	30
Front Panel Controls, LEDs and LCD Screen	11	10. Fan Replacement	32
Rear Panel Features	12	11. Storage and Service	33
		12. Warranty and Product Registration	33
		Español	35
		Français	69
		Русский	103

NOTE: External battery pack options require configuration using front panel LCD interface or via Tripp Lite's EXTERNAL BATTERY CONFIGURATION software.

WARRANTY REGISTRATION

Register your product today and be automatically entered to win an ISOBAR® surge protector in our monthly drawing!

tripplite.com/warranty



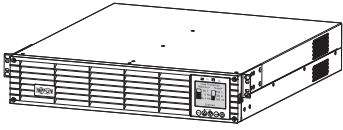
1111 W. 35th Street, Chicago, IL 60609 USA • tripplite.com/support

Copyright © 2020 Tripp Lite. All rights reserved. SmartOnline® is a trademark of Tripp Lite. For latest updates, please visit tripplite.com

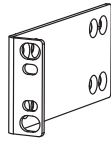
Overview

Tripp Lite SmartOnline rack-mount UPS systems with interactive LCD interface feature on-line, double-conversion UPS protection with full-time sinewave output and zero transfer time, making them suitable for all advanced networking applications. Each UPS provides long running battery support with optional extended-run and Web communications ability. Built-in interfaces include Micro-USB, RS-232 serial, Emergency Power Off (EPO), Remote On/Off (ROO) and an RJ-11 smart battery port. The interactive front panel LCD screen provides detailed UPS status, preset and control options. Optional max efficiency and auto-adaptive power strategy options enable high-efficiency operation with reduced power consumption and BTU heat output.

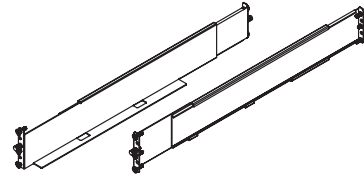
Parts List



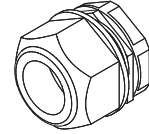
UPS System



Bolt-on Mounting Ears (2)



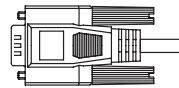
4-Post Rail Kit



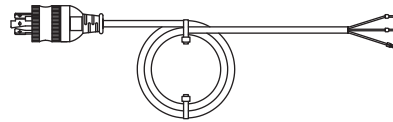
Hardwire Strain Reliefs (2)



USB Cable (1)



RS-232 Cable (1)



(Select models) AC Input Power Cord with L6-30P Plug (1)



Owner's Manual

Optional Accessories (Not Included)

- 2POSTRMKITWM: Supports rack-mount UPS and battery packs in 2-post rack-mount or wall-mount configurations
- 2-9USTAND: Supports rack-mount UPS and battery packs in upright tower configuration
- BP192V12RT3US External "SMART" Battery Pack: Extends the runtime of the UPS system

Important Safety Instructions

SAVE THESE INSTRUCTIONS

This manual contains important instructions and warnings that should be followed during the installation, operation, maintenance and storage of all Tripp Lite UPS Systems and Batteries. Failure to heed these warnings may affect your warranty.

Explanation of Symbols



Caution—risk of danger



Hot—overheating may occur



Electrical shock hazard



Protective earth ground



Bonding ground



Recyclable—contains lead



Important Safety Instructions

UPS Location Warnings

- Your UPS is intended to be used in a temperature-regulated, indoor area that is relatively free of conductive contaminants. Install your UPS indoors, away from excess moisture or heat, conductive contaminants, dust or direct sunlight.
- Ambient room temperature should be between 32°F and 104°F (0°C and 40°C).
- Leave adequate space around all sides of the UPS for proper ventilation.
- The UPS provides the convenience of multiple outlets, but DOES NOT provide surge or line noise protection for connected equipment, when in Bypass Mode.
- Do not mount the unit with its front or rear panel blocked. Mounting in this manner will seriously inhibit the unit's internal cooling, eventually causing product damage not covered under warranty.

UPS Installation and Connection Warnings

All Models



CAUTION: Installation should be performed by qualified professional electrical service personnel only.

- Install in accordance with National Electrical Code standards. Be sure to use the proper overcurrent protection for the installation in accordance with the plug/equipment rating.
- Be sure to use an upstream circuit breaker with a C curve.
- Overcurrent protection shall be provided in the end-use application, installed in accordance with local and national electrical wiring regulations.
- Short-circuit backup protection and overcurrent protection is provided by the building Installation, in the hardwire configuration (Bypass and Economy Modes).
- Install at a height not exceeding 1 m (3.3 ft.).
- Equipment is intended for use on a TN-S power distribution system.

Select Models Equipped with an L6-30P Plug



CAUTION: To reduce the risk of fire, connect only to a circuit provided with 30A maximum branch circuit overcurrent protection in accordance with the National Electrical Code, ANSI/NFPA 70 and the Canadian Electrical Code, Part I, C22.1.

- The AC mains L6-30P plug serves as the disconnect device. The electrical outlets supplying power to the equipment must be installed near the equipment and easily accessible. Alternatively, a local disconnect may be provided.
- DO NOT use the hardwire AC supply input option when an L6-30P plug is present. Doing so may cause a catastrophic dangerous situation.
- When the hardwire AC output is used, appropriate output overcurrent protection must be provided.

Select Hardwire Models



CAUTION: To reduce the risk of fire, connect only to a circuit provided with maximum branch circuit overcurrent protection in accordance with the National Electrical Code, ANSI/NFPA 70 and the Canadian Electrical Code, Part I, C22.1. See "UPS Input and Output Overview" table in the **Installation** section for details.

- Use copper conductors with rated 105°C wires only. See "UPS Input and Output Overview" table in the **Installation** section for recommended input and output configuration.
- For models equipped with a permanent hardwire output connection, overcurrent protection is to be provided in the end use installation. Use output branch-rated overcurrent protection not exceeding the UPS Output rating. When supplying receptacles with lesser branch-rated overcurrent protection, the overcurrent protection should match the receptacle rating.
- In Europe, the circuit breaker must meet the IEC/ EN 60934 standard and have a contact air gap of at least 3 mm.
- When the hardwire AC output is used, appropriate OUTPUT OVERCURRENT protection must be provided by the installer. Be sure to use branch-rated circuit breakers that match the rating of the receptacles/equipment being protected. Use circuit breaker(s) with a C curve.
- An appropriate and readily accessible two-pole disconnect device must be incorporated in the fixed wiring.
- In Europe, the AC mains connection is L, N, PE(GND). Make sure to hook up the L to the hot and N to the neutral conductor.
- Never attempt to install electrical equipment during a thunderstorm.
- Do not attempt to use this equipment if any part of it becomes damaged.
- Individual equipment connected to the UPS should not draw more current than the individual outlet's rating.
- The total load connected to the UPS must not exceed the maximum load rating for the UPS.
- Do not attempt to modify the UPS, enclosure, input plugs or power cables.
- Do not attempt to use the UPS if any part of it becomes damaged.



Important Safety Instructions

Equipment Connection Warnings

- Do not connect surge protectors or extension cords to the output of your UPS. This may damage the UPS and may affect the surge protector and UPS warranties.
- The total load connected to the UPS must not exceed the maximum nameplate load rating.
- Use of this equipment in life support applications where failure of this equipment can reasonably be expected to cause the failure of the life support equipment or to significantly affect its safety or effectiveness is not recommended. Do not use this equipment within oxygen-enriched atmospheres, or within 0.3 m (1 ft.) of a point at which an oxygen-enriched atmosphere is intentionally vented.

Fan Replacement Warning



Make sure UPS is powered down, i.e. turned off prior to fan replacement. Failure to do so may cause overheating and trigger thermal shutdown.



CAUTION: The fan circuitry is not isolated from AC mains. Turn off power to the UPS prior to fan replacement. Fan replacement must be performed by qualified electrical service personnel.



Battery Warnings

- There are no user-serviceable parts inside the UPS.
- Battery rotation must be performed by qualified electrical service personnel.
- Battery replacement should be performed only by authorized service personnel.
- Servicing of batteries should be performed or supervised by personnel knowledgeable about batteries and the required precautions.
- When replacing batteries, replace with the same type and number of batteries or battery packs.

CAUTION: Do not dispose of batteries in a fire. The batteries may explode.

CAUTION: Do not open or mutilate batteries. Released electrolyte is harmful to the skin and eyes. It may be toxic.

CAUTION: A battery can present a risk of electrical shock and high short-circuit current. Contact with any part of a grounded battery can result in electrical shock. The following precautions should be observed when working on batteries:

- Remove watches, rings, or other metal objects.
- Use tools with insulated handles.
- Wear rubber gloves and boots.
- Do not lay tools or metal parts on top of batteries.
- Do not short or bridge the battery terminals with any object.
- Remove battery grounds during installation and maintenance to reduce likelihood of shock.
- Remove the connection from ground if any part of the battery is determined to be grounded.



External Battery Warnings

- Connect external battery ground wire before connecting external battery to UPS.
- For external battery configuration, see the Operations section for options and configuration method. Smart battery packs are automatically detected by the UPS.
- Fuses should be replaced only by factory authorized personnel. Replacement fuses should be of the same rating and type.
- For extended runtime, only use compatible Tripp Lite battery modules:
 - BP192V12RT3US External Battery Pack



Important Safety Instructions

Battery Replacement and Recycling



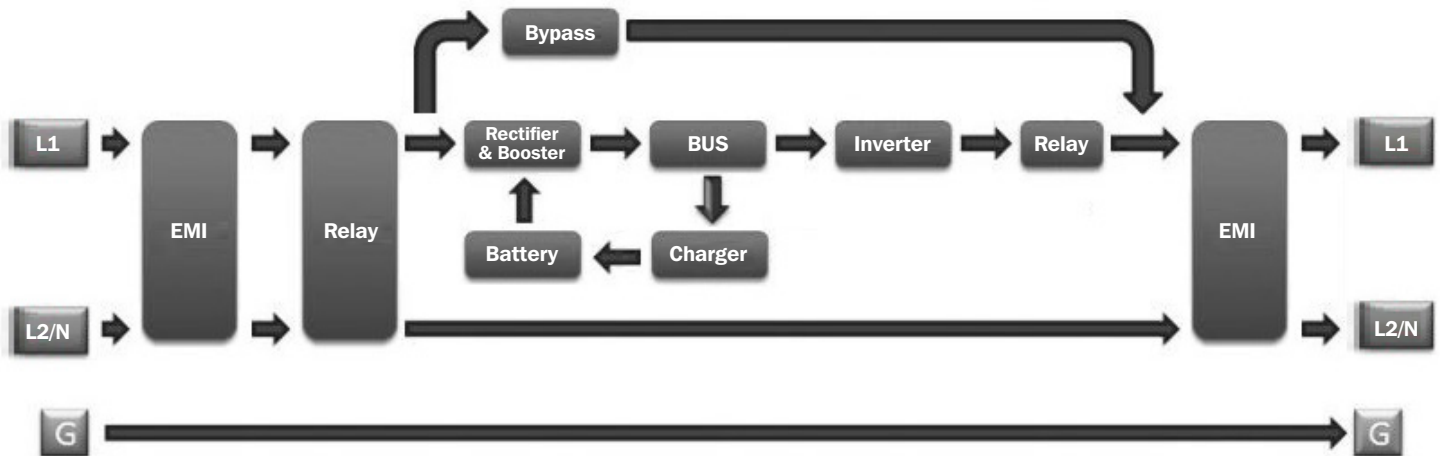
Tripp Lite products use sealed lead-acid batteries, which are highly recyclable. Refer to your local codes for disposal requirements, Call Tripp Lite at 773.869.1234 or visit tripplite.com/support/recycling-program for more information on recycling the batteries or any other Tripp Lite product.

Tripp Lite offers a complete line of UPS System Replacement Battery Cartridges (R.B.C.). Visit Tripp Lite on the Web at tripplite.com/products/battery-finder/ to locate the specific replacement battery for your UPS.

Maintenance Warnings

- Your UPS does not contain user-serviceable parts. Do not disassemble.

UPS Circuit Block Diagram



Installation

Internal Battery Rotation

Your UPS ships with the batteries disconnected and in reverse orientation. Before mounting the UPS to your 4-post or 2-post rack, first remove the battery trays and set them aside. To remove the batteries from the UPS, follow the instructions below.



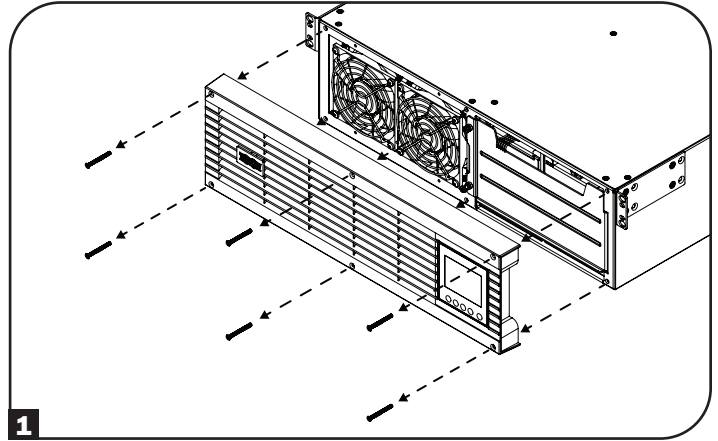
If an external battery pack is to be used, it should be installed first in the lower part of the rack. Be sure to follow instructions for **Configuring External Battery Packs** in this manual and in the **BP192V12RT3US Owner's Manual** before proceeding with UPS installation.



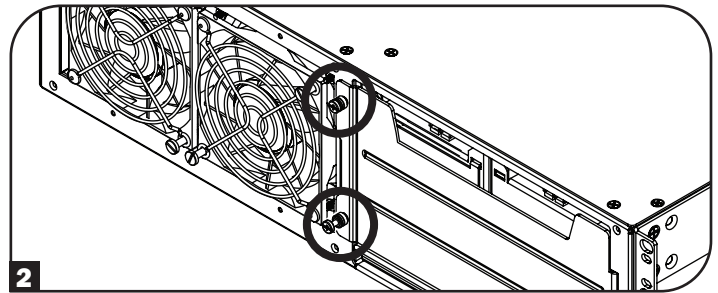
WARNING! Battery rotation must be performed by qualified electrical service personnel.

- 1 Remove the six front screws from the front bezel, then retract the bezel from the UPS. Hang the bezel on the available hook.

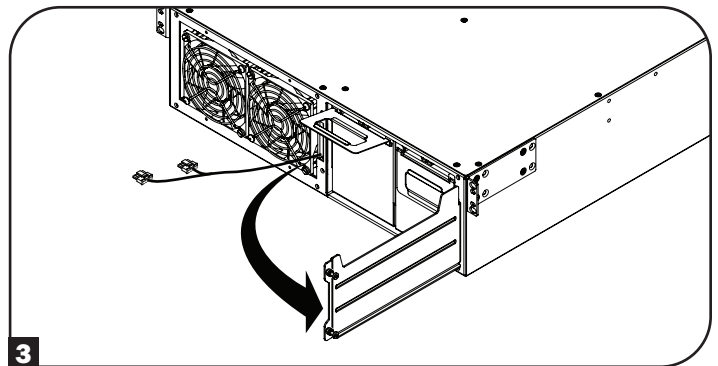
Note: The front panel display has an attached ribbon cable that extends from the UPS to the front bezel. Make sure to keep this cable out of the way when opening and closing the battery door, or use a screwdriver to detach the display from the bezel.



- 2 Loosen the two captive screws securing the battery door.

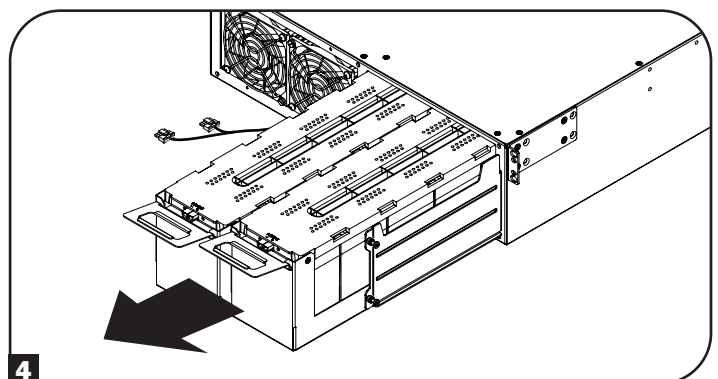


- 3 Open the battery door. Ensure the Smart battery communication cable is safely out of the way when opening the battery door and when removing the battery trays.



- 4 Using the handles attached to each tray, remove the battery pack trays. Make sure to remove the handles before rotating the batteries (see next step) and install the handles on the opposite side.

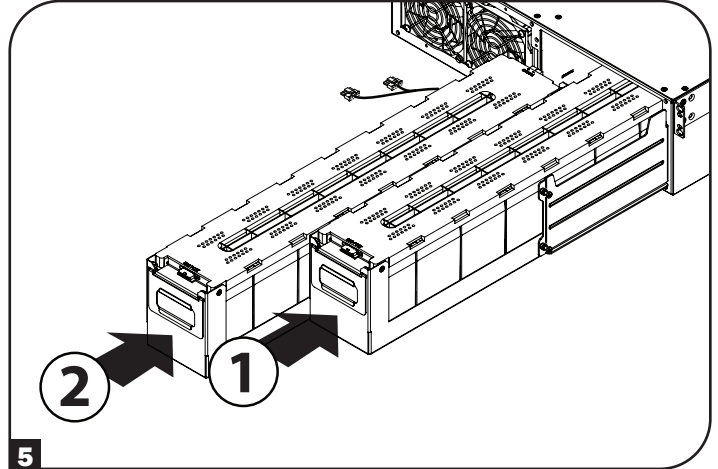
Note: To reduce the weight of the UPS unit during installation, it is recommended you proceed to 4-Post Mounting or 2-Post Mounting instructions in the **Rack Mounting** section before rotating, reinstalling and connecting the battery pack trays.



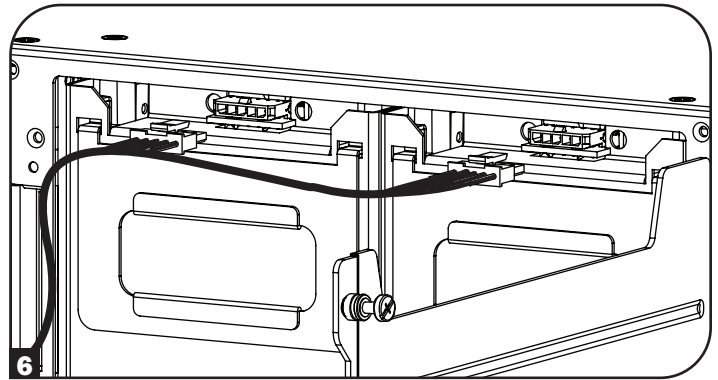
Installation

- 5** Each battery tray uses a blindmate DC connector. Position each battery tray so the red and black DC connector end is facing towards the rear of the UPS and the communication port is facing toward the front of the UPS. Starting with the right side battery tray, insert the battery pack tray, making sure it protrudes slightly from the UPS. Repeat for the left side battery tray.

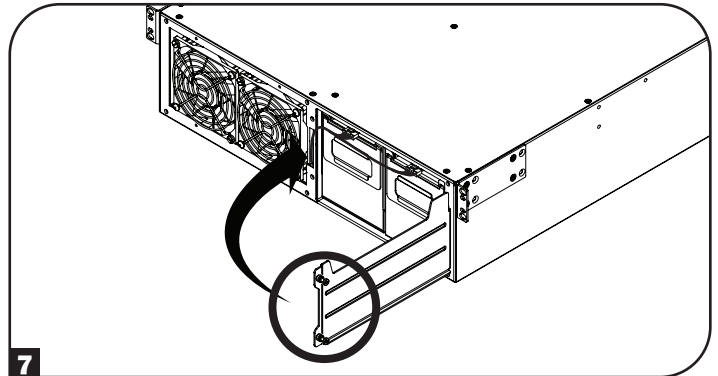
Note: For better connector access, attach the cables before the battery packs are fully inserted into the UPS.



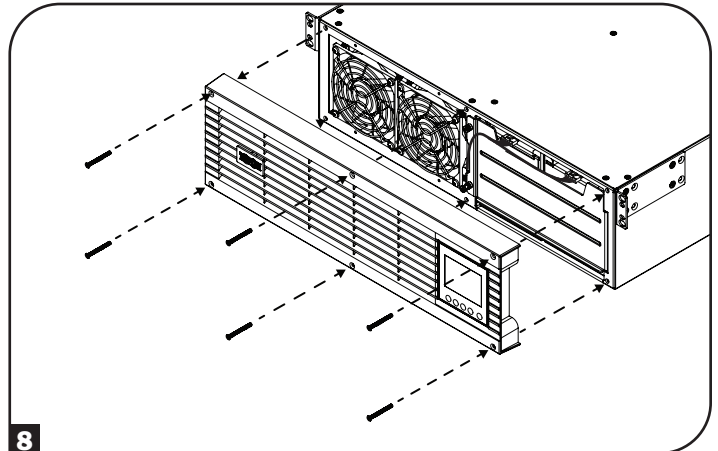
- 6** Connect the battery communication cable to each battery tray and push the battery trays completely into the UPS.



- 7** Close the battery door and secure by tightening the captive screws.



- 8** Reattach the front bezel to the UPS and secure with the screws removed in step **1**.



Installation

Rack Mounting

Mount your equipment in either a 4-post or 2-post rack or rack enclosure. The user must determine the fitness of hardware and procedures before mounting. If hardware and procedures are not suitable for your application, contact the manufacturer of your rack or rack enclosure. The procedures described in this manual are for common rack and rack enclosure types and may not be appropriate for all applications.

CAUTION: The equipment should be installed onto the rack rails at a height <1 m (36 in.).



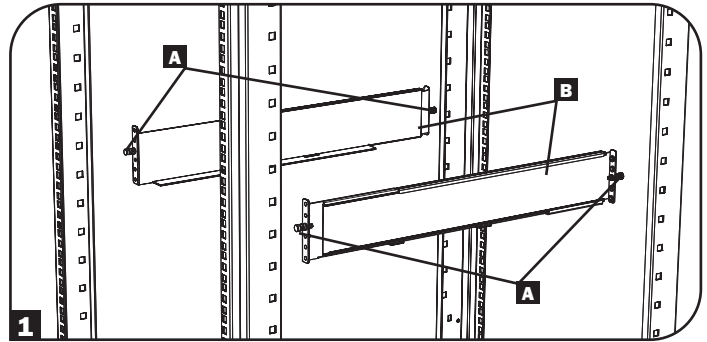
If an external battery pack is to be used, it should be installed first in the lower part of the rack. Be sure to follow instructions for **Configuring External Battery Packs** in this manual and in the **BP192V12RT3US Owner's Manual** before proceeding with UPS installation.

4-Post Mounting

- 1 The included plastic pegs **A** will temporarily support the empty rack-mount shelves **B** while you install the permanent mounting hardware. Insert a peg into the third hole from the top on the front end of each bracket. On the rear end, insert a peg into the center hole. (Each front bracket has 6 holes and each rear bracket has 5 holes.) The pegs will snap into place.

After installing the pegs, expand each shelf to match the depth of your rack rails. The pegs will fit through the square holes in the rack rails to support the shelves. Refer to the rack unit labels to confirm that the shelves are level in all directions.

Note: The support ledge of each shelf must face inward.

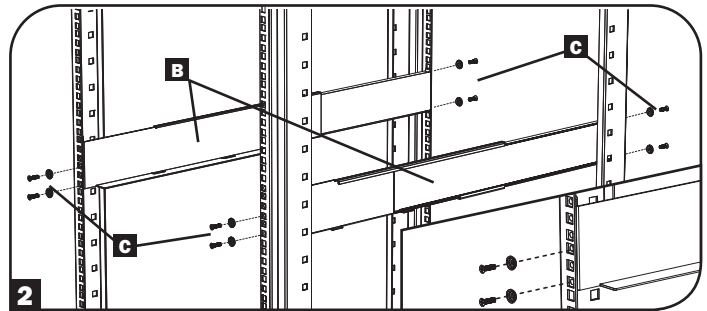


- 2 Remove the pegs at the front end of each bracket. Secure the shelves **B** to the mounting rails permanently using the included screws and cup washers **C** as shown. Place 2 screws at the front of each rail (4 total) and 2 screws at the back of each rail (4 total). Tighten all screws before proceeding.

Note: The rear pegs can be left in for installation, but the front ones must be removed before the bracket is secured by screws.

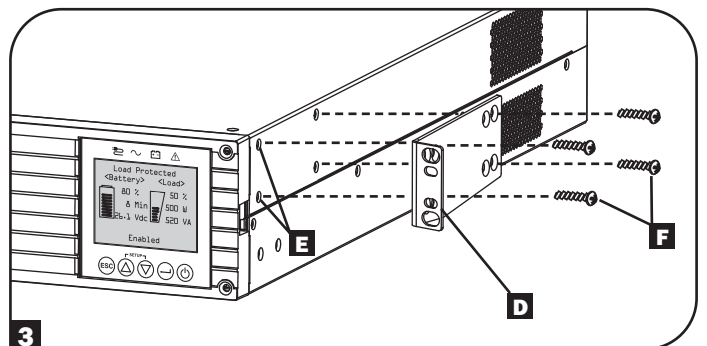
WARNING!

Do not attempt to install your UPS until you have inserted and tightened the required screws. The plastic pegs will not support the weight of your UPS.



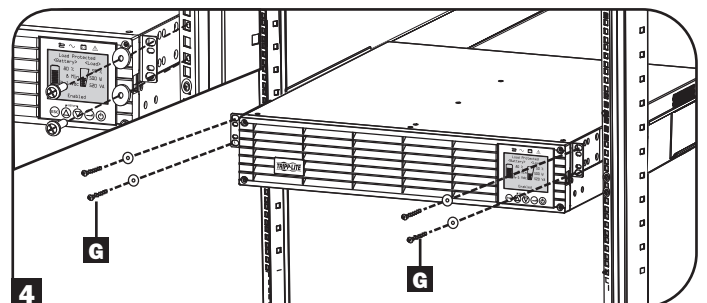
- 3 Attach your UPS's mounting brackets **D** to the forward mounting holes **E** of the UPS using the included hardware **F**. The mounting bracket "ears" should face forward.

Note: It is recommended you remove the UPS internal batteries prior to installation. Doing so will remove excess weight and allow for safer handling.



- 4 With the aid of an assistant, lift your UPS and slide it into the shelves. Attach the UPS mounting ears to the front mounting rails with user-supplied screws and washers **G**. Tighten all screws securely.

Note: To install battery pack trays inside the UPS, refer to instructions 5-8 in the **Internal Battery Rotation** section.



Installation

2-Post Mounting

If you mount 2U UPS models in 2-post racks, they require the addition of a Tripp Lite 2-Post Rack-Mount Installation Kit (model: 2POSTRMKITWM, sold separately). See Installation Kit owner's manual for installation procedure.

Tower Mounting

Your UPS can be mounted in an upright tower position with optional base stands sold separately by Tripp Lite (model: 2-9USTAND).

When mounting the UPS on adjustable base stands, make sure the LCD panel is facing toward the top.



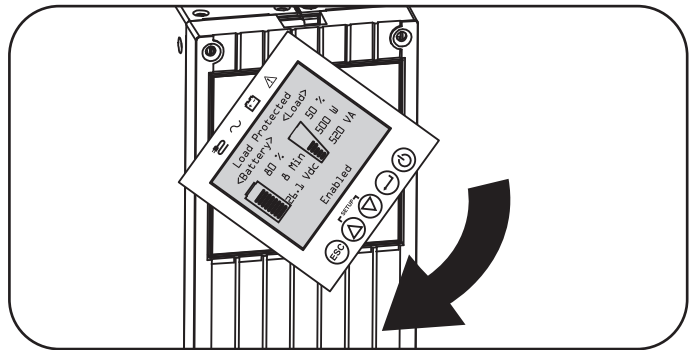
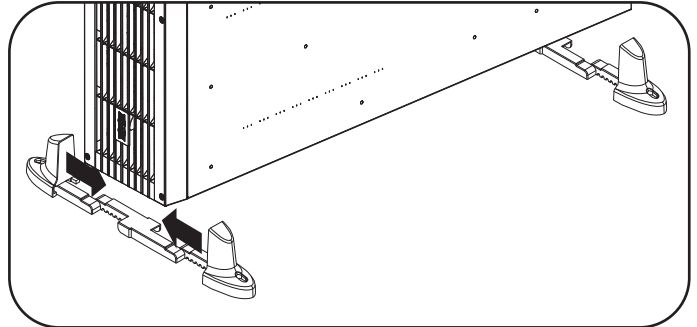
WARNING!

All UPS systems are extremely heavy. Use caution when lifting and mounting. User must properly stabilize the UPS when lifting and mounting.

The LCD panel may be rotated for easier viewing while the UPS is upright. To rotate, insert a small screwdriver or other flat-edge tool into the slots on any side of the LCD panel. Pop the panel out, rotate accordingly and snap it back into place.



WARNING: Display circuitry is not isolated. Display rotation must be performed by qualified electrical service personnel.



EXTERNAL BATTERY CONFIGURATION NOTE

If external battery packs are to be used with this UPS, install them following the mounting/installation documentation included with each battery pack.

These SmartOnline UPS systems support automatic detection of up to four compatible Tripp Lite Smart battery packs. Each Smart battery pack includes a wired data connection that enables automatic detection and configuration for up to four Smart external battery packs to the UPS. If more than four external battery packs need to be configured, all packs must be configured via the Tripp Lite external battery configuration software connecting through the UPS serial port. In this configuration, do not connect the Smart battery communication cables to any of the external battery packs.

Installation

Hardwire Input and Output Wiring Instructions (Optional with Select Models)

Note: The tightening torque is 1 N•m (10 lb•in.).

CAUTION: This type of connection must be performed by qualified professional electrical service personnel only. When making connections, check that the mains power to the UPS is OFF. Connect the ground wires from the cables to the chassis ground lug. Always connect the ground wire first.

Be sure to observe the Input Line Configuration, Breaker and wire AWG as outlined in the **UPS Input and Output Overview** table, detailed in this section.

Note: Select models include an AC input cord with L6-30P plug. If this AC cord is to be used, the UPS input/output power capacity ratings will change. See the UPS nameplate for more information.

1. Remove the access cover located on the right side of the Hardwire In/Out knockouts (shown below), to access the terminal block.

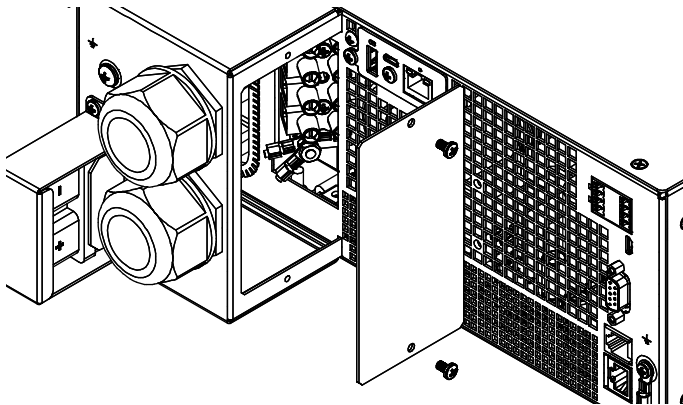
Note: A label describing terminal connections can be found on the back of the access cover.

2. Remove the appropriate knockout sizes for the hardwire input and output connections.
3. Install and secure the included or user-provided strain relief connectors to the hardwire enclosure.
4. Pass the cable through the strain relief.

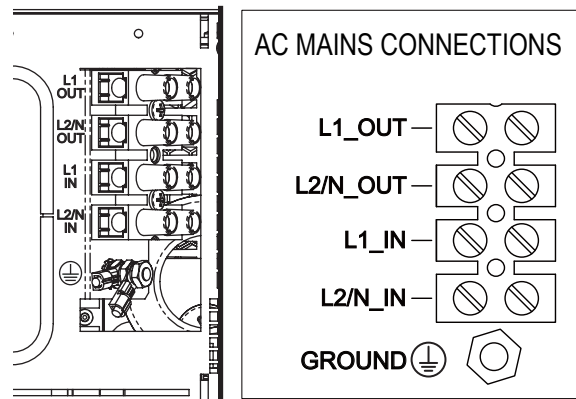
Note: The Output strain relief is on top and the Input strain relief is on the bottom.

5. Install each wire to the terminal block, as indicated below. (See note below regarding tightening torque specifications.)
6. Tighten the strain relief.

Hardwire In/Out with Strain Relief



Input and Output Terminals



Note: The tightening torque is 1 N•m (10 lb•in.). The included ground lug needs to be added to the ground stud as shown. The ground wire for equipment should fit the #8 stud with an outer diameter of 8.71 mm and an inner diameter of 4.3 mm.

Installation

UPS Input and Output Overview

Model Name	Input Connection	Input Line Configuration	Building Breaker C-Curve	Input AWG (mm ²)	Receptacle Plate Configuration
SU5KRT3UHV	Hardwire	L1, L2/N, PE(GND)	40	8 (6)	
	L6-30P	L1, L2/N, PE(GND)	30	10 (4)	
SU5KRT3UX	Hardwire	L, N PE(GND)	40	8 (6)	
SU5KRT3UG	Hardwire	L1, L2/N, PE(GND)	40	8 (6)	
SU5KRT3UHW	Hardwire	L1, L2/N, PE(GND)	40	8 (6)	None
SU6KRT3UHV	Hardwire	L1, L2/N, PE(GND)	50	6 (10)	
	L6-30P	L1, L2/N, PE(GND)	30	10 (4)	
SU6KRT3UX	Hardwire	L, N, PE	50	6 (10)	
SU6KRT3UG	Hardwire	L1, L2/N, PE(GND)	50	6 (10)	
SU6KRT3UHW	Hardwire	L1, L2/N, PE(GND)	50	6 (10)	None

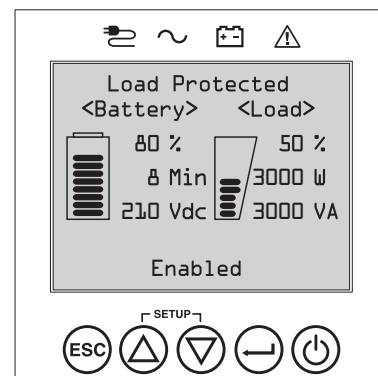
Features

Before installing and operating your UPS, familiarize yourself with the locations and function of the features of each component.

Front Panel Controls, LEDs and LCD Screen

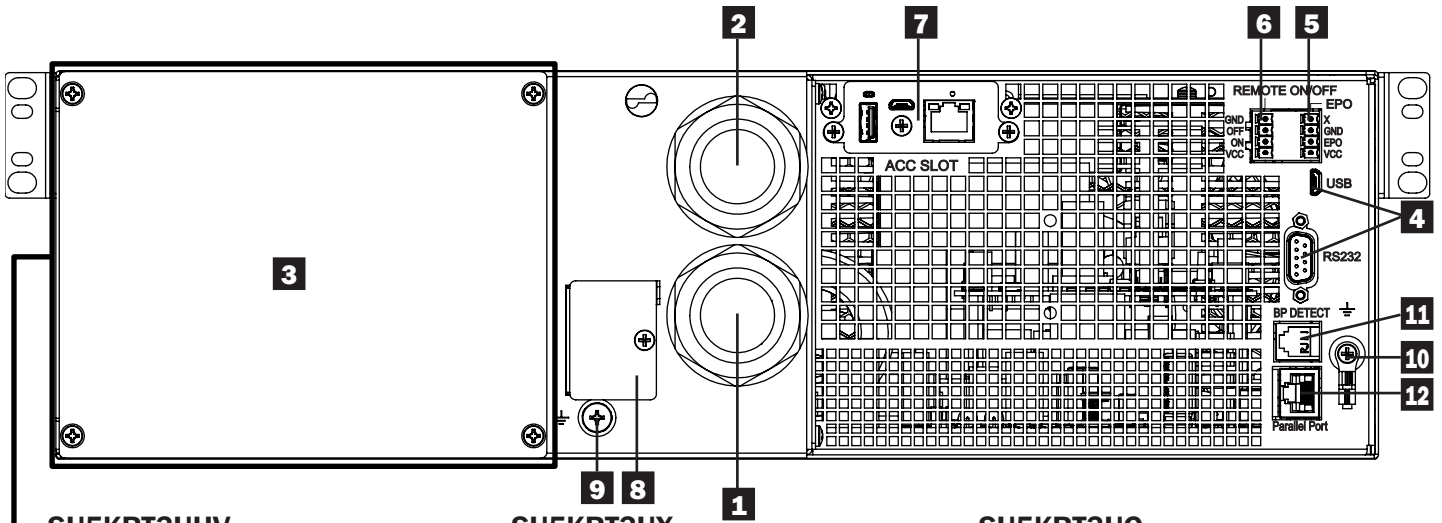
The graphical LCD on the front panel contains a wide range of UPS operating conditions and diagnostic data. It also displays UPS settings and options when viewing the UPS setup screens. The five buttons below the LCD can be used to navigate the various information, configuration and UPS control screens by following the on-screen prompts and selection options. Additional LED indicators above the LCD screen also provide at-a-glance status of AC input source, availability of output, battery status, and warning/fault status.

See **Operations** section for detailed descriptions of LCD functions, buttons and LEDs.

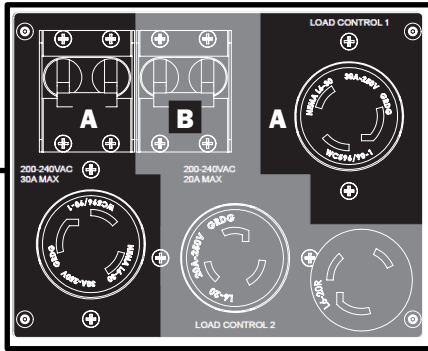


Features

Rear Panel Features

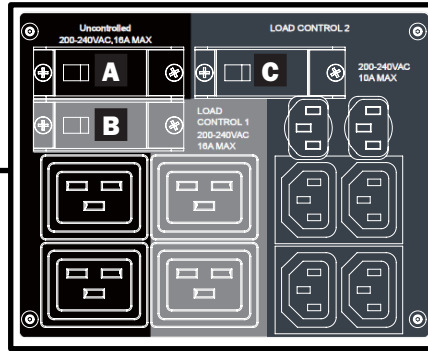


SU5KRT3UHV



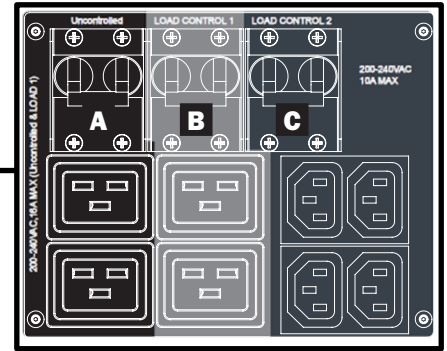
Load Bank	Receptacles	Breaker
A	2x L6-30R	1x 2-Pole (30A)
B	2x L6-20R	1x 2-Pole (20A)

SU5KRT3UX



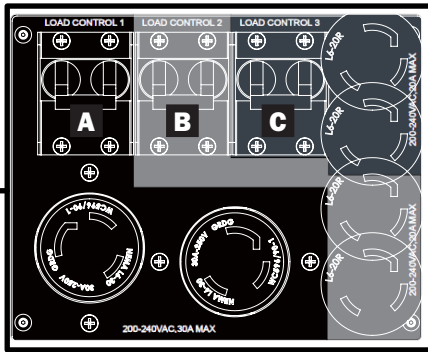
Load Bank	Receptacles	Breaker
A*	2x C19	1x 1-Pole (16A)
B	2x C19	1x 1-Pole (16A)
C	6x C13	1x 1-Pole (10A)

SU5KRT3UG



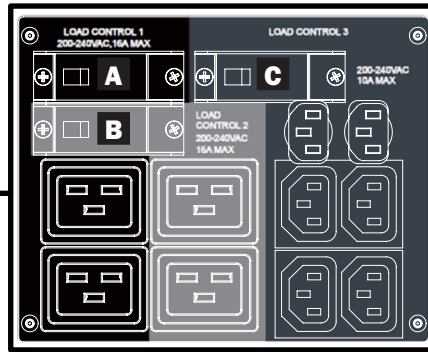
Load Bank	Receptacles	Breaker
A*	2x C19	1x 2-Pole (16A)
B	2x C19	1x 2-Pole (16A)
C	4x C13	1x 2-Pole (10A)

SU6KRT3UHV



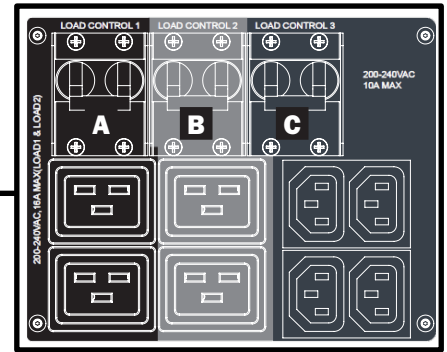
Load Bank	Receptacles	Breaker
A	2x L6-30R	1x 2-Pole (30A)
B	2x L6-20R	1x 2-Pole (20A)
C	2x L6-20R	1x 2-Pole (20A)

SU6KRT3UX



Load Bank	Receptacles	Breaker
A	2x C19	1x 1-Pole (16A)
B	2x C19	1x 1-Pole (16A)
C	6x C13	1x 1-Pole (10A)

SU6KRT3UG



Load Bank	Receptacles	Breaker
A	2x C19	1x 2-Pole (16A)
B	2x C19	1x 2-Pole (16A)
C	4x C13	1x 2-Pole (10A)

*Uncontrolled Load Bank

Features

1 AC Input Connection (varies by model): This connects to AC power via an attached power cord or hardwire connection.

Note: SU5KRT3UHV and SU6KRT3UHV models include an optional input cord.

2 AC Hardwire Output Connection (optional on select models): This connects to an AC load via hardwire connection (See **Hardwire Output Wiring Instructions** for more information).

Note: The total load connected to the UPS must not exceed the maximum nameplate load rating.

3 AC Receptacles (varies by model): These output receptacles provide connected equipment with pure sine-wave AC output during normal operation and battery power during blackouts and severe brownouts. The receptacles are divided into load banks, as described on the unit. Using PowerAlert software and cabling, load banks may be individually turned off and on from a remote location, allowing users to reset or reboot connected equipment.

Note: The total load connected to the UPS must not exceed the maximum nameplate load rating.

4 Communications Ports: These ports (USB or RS-232) connect your UPS to any workstation or server. Use with Tripp Lite's PowerAlert Software and included cable to enable your computer to automatically save open files and shut down equipment during a blackout. Also use PowerAlert Software to monitor a wide variety of AC line power and UPS operating conditions. Consult your PowerAlert Software manual or contact Tripp Lite Customer Support for more information. The 9-pin RS-232 port also supports dry-contact communications. See **USB & RS-232 Dry Contact Communications** in the **Optional Connections** section for installation instructions.

5 EPO (Emergency Power Off) Port: Your UPS features a port that may be used to connect the UPS to a contact closure switch to enable emergency shutdown of your UPS. Make sure to use the pins on the right terminal block labeled for EPO. See **Optional Connections** section for details.

6 Remote On/Off: The UPS includes a port that may be used to connect the UPS to a contact closure switch to remotely turn off the UPS. Make sure to use the terminal block on the left side labeled for remote On/Off connection. See **Optional Connections** section for details.

7 Accessory Slot: Remove the small cover panel from this slot to use optional accessories to remotely monitor and control your UPS. Visit tripplite.com to see a full list of accessories, as well as a wide variety of network management and connectivity products.

8 External Battery Pack Connector: Your UPS features a robust internal battery system. Adding external batteries will increase runtime and recharge time. See **Additional Accessories (Optional)** in the **Overview** section for compatible models and **Configuring External Battery Packs** section under **Operations** section for configuration instructions.

Note: Do not connect or disconnect battery packs when the UPS is running on battery power.

9 DC Ground Screw: Use this to create a ground connection between the UPS and an attached external battery pack.

10 Chassis Ground Screw: Use this to connect any equipment that requires a chassis ground.

11 External Battery Pack Detection Port: For external batteries with communication built-in, plugging the battery communication cable into this port will allow the UPS to automatically detect smart battery packs. See the **Configuring External Battery Packs** in the **Operations** section for configuration instructions.

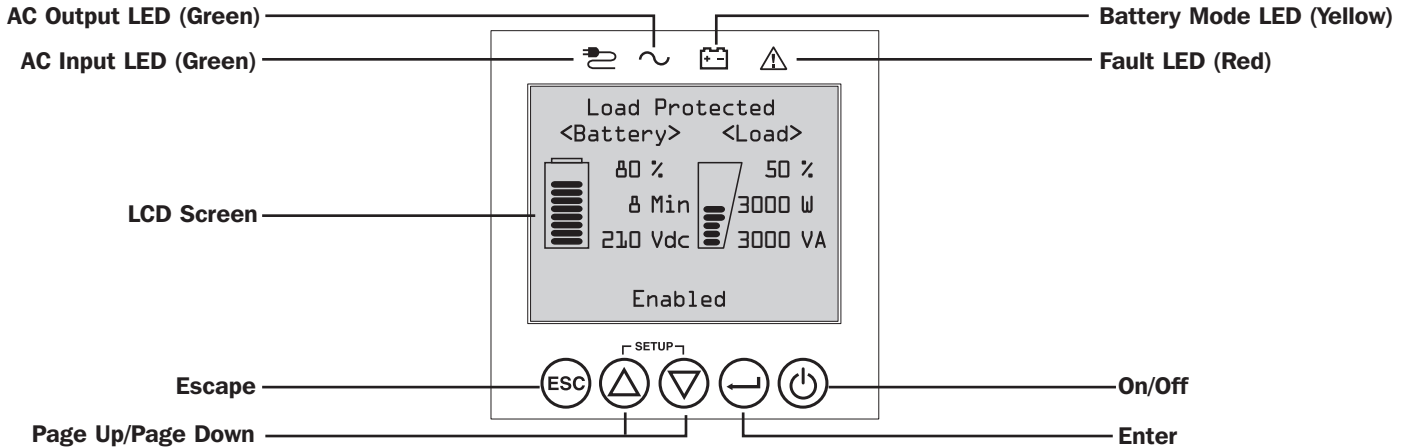
12 Parallel Port: Reserved for future use.

Operations

This section explains how to use your Tripp Lite Online UPS System, including front-panel LCD operation, operating modes, UPS startup and shutdown, transferring between modes, setting power strategy, and configuring bypass settings, load segments and battery settings.

LCD Front Panel Display and Controls

A 5-button graphical LCD screen with additional LED indicators on the front of the UPS that provides information on UPS status, load level information, event information, measurements, settings and a wide variety of UPS configuration and power strategy options.



LED Front Panel Indicators

There are 4 LEDs above the front panel LCD screen that offer information on AC INPUT, BYPASS, AC OUTPUT, BATTERY MODE and UPS FAULT status.

	AC INPUT indicator
On	AC input is available AND AC input is WITHIN the configured ECONOMY / BYPASS mode range. When this LED is ON SOLID, AC input is of adequate quality for UPS operation in BYPASS or ECONOMY MODE.
Flashing	AC input is available AND AC input is OUTSIDE the configured BYPASS mode range. When this LED is ON FLASHING, AC input is not of adequate voltage or frequency for UPS operation in BYPASS or ECONOMY MODE.
Off	AC input is NOT available. When this LED is OFF, AC input is not available.
	AC OUTPUT indicator
On	UPS AC output is ON UPS output is available at the UPS output receptacles.
Off	UPS AC output is OFF UPS AC output is not available.
	BATTERY MODE indicator
On	UPS is running in battery mode UPS batteries are discharging as the UPS runs in battery mode. Also lights momentarily during self-test operation.
Flashing	UPS is running in battery mode - Low battery warning UPS batteries are discharging as the UPS runs in BATTERY mode and are becoming low. The indicator will flash at 2-second intervals to report LOW BATTERY and 0.5-second intervals to report BATTERIES ARE NEAR FULLY DISCHARGED and the UPS is near shutdown.
	UPS FAULT indicator
On	UPS is experiencing a pre-defined fault state See front panel display for explanation of error state or code information. See on-screen instructions and manual for troubleshooting tips.
Off	Normal UPS is not reporting fault conditions when this indicator is OFF.

Operations

Front Panel Button Functions

There are 5 front panel buttons that offer UPS control and configuration options. To navigate the various information, configuration and UPS control screens, use the 5-button front panel interface and follow the on-screen prompts and selection options.



Power On / Off Button: This control offers three main functions: Power-On, Power-Off and Clear UPS Fault.

To turn the UPS ON into a protected operating mode, press and hold this button for 3 seconds as the UPS is connected to input AC power. Release the button when the alarm begins to sound and the UPS will startup into the last configured power strategy.

To “cold start” the UPS ON into battery mode during power failure conditions, press and hold this button for 3 seconds. Release the button when the alarm begins to sound and the UPS will startup in battery mode.

To turn the UPS OFF as it's running in battery or protected mode, press and hold this button for 3 seconds. Release the button when the alarm begins to sound. The UPS will turn off AC output. Once AC output is off, disconnect input power to the UPS and the UPS will power off completely.

To CLEAR UPS FAULT, press and hold this button as directed on-screen for 3 seconds. The UPS will clear the fault conditions and return to standby or bypass mode.



ENTER Button: This control is used to make selections, confirm options and move forward to the next selection as the UPS is configured in setup mode. Press this button as directed on-screen in Setup mode to Enter, Confirm or Move Forward in the configuration process.



UP / DOWN Buttons: These controls offer two main functions: “Up” and “Down” directional control, plus enter / exit setup mode (when pressed simultaneously). These buttons are used to navigate setup-mode menu options and scroll up or down to view screen contents as necessary.



To ENTER or EXIT UPS SETUP MODE, press these two buttons simultaneously for 3 seconds. Release the buttons when the alarm begins to sound. The UPS will automatically enter setup mode if both buttons are pressed during LCD display modes. The UPS will automatically exit setup mode if both buttons are pressed as the UPS runs in UPS setup mode.



ESCAPE Button: This control offers three main functions: Alarm Cancel, Clear Fault and Back / Cancel operations.

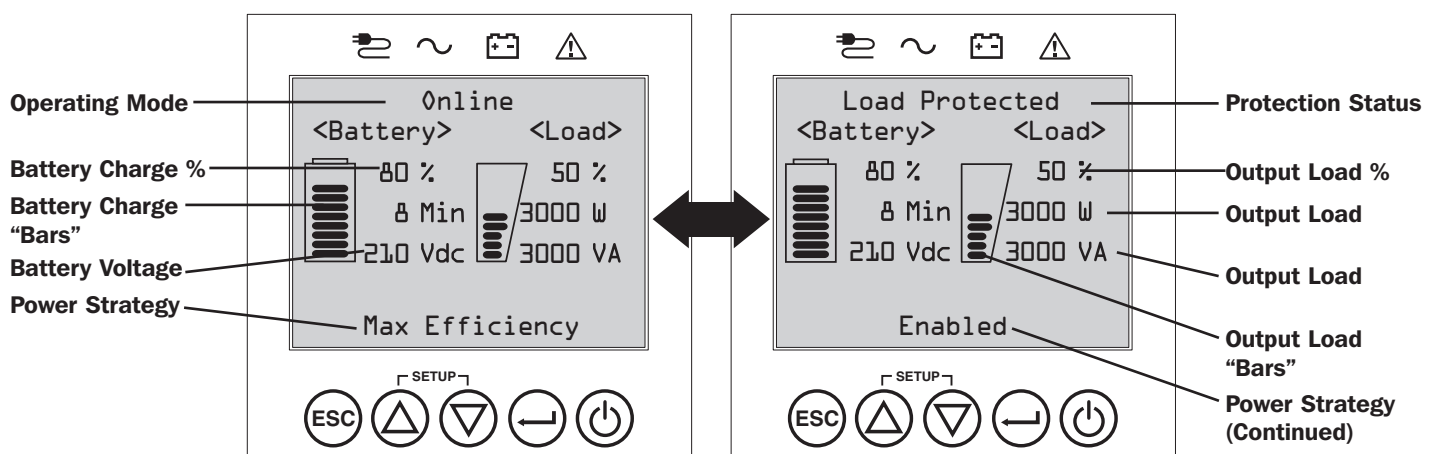
To CANCEL UPS ALARM, press this button. If a new alarm condition occurs, the alarm will sound again.

To CANCEL or GO BACK ONE LEVEL, press this button as directed on-screen in Navigation and Setup modes.

Home Screen Layout

The UPS front panel LCD screen is set up to provide continuous UPS operating information using NORMAL MODE and BATTERY MODE home-screens that continuously report operating mode, protection status, power strategy and a number of battery and load-level operating parameters.

Normal Mode Home Screens

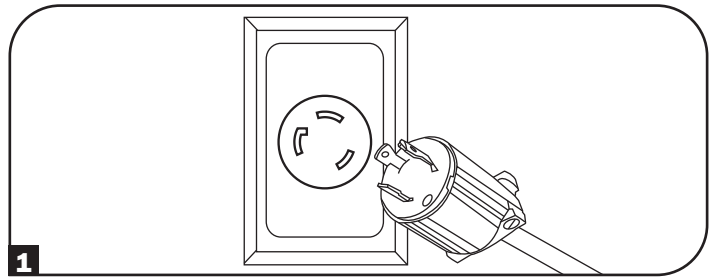


Operations

Basic Connection and Start-Up

1 Connect your UPS to electrical service

Your UPS must be connected to a dedicated circuit of sufficient amperage. L6-30 models require a 30A building installation breaker. For Hardwire models, refer to the **Installation** section, **UPS Input and Output Overview Table** and rating on the UPS for details.

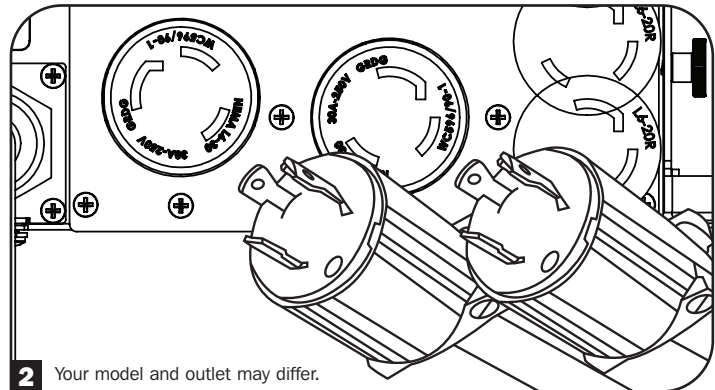


2 Plug your equipment into the UPS

When input power is applied, the UPS will go into Standby Mode and the batteries will charge.

Your UPS is designed to support network, server and computer equipment only.

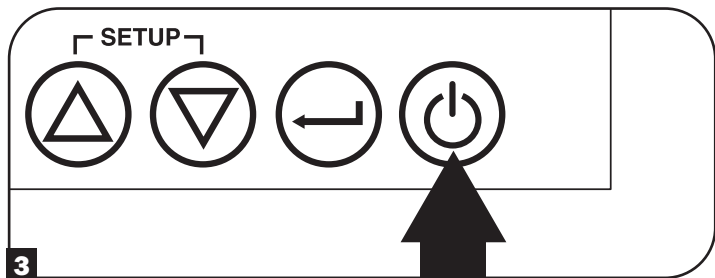
Note: If the equipment is to be load controlled, make sure to plug equipment into a load-controlled bank.



Your model and outlet may differ.

3 Turn your UPS on

Press and hold the POWER (⏻) button for 3 seconds and release as the alarm begins to sound.

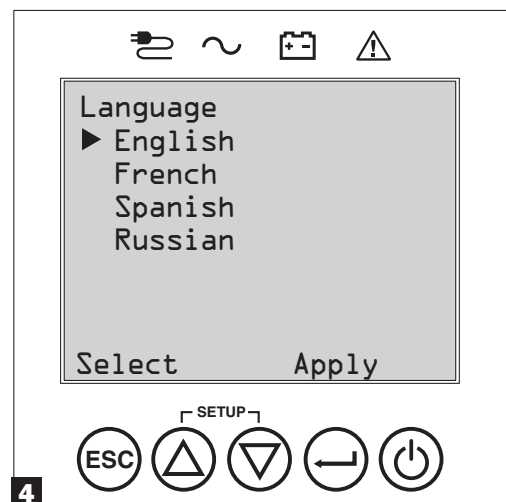


4 Select your Language

When your UPS is powered up for the first time, the INPUT AC LED will light up and the front panel LCD screen will request a language selection.

Using the UP / DOWN buttons (⬆️/⬇️), select your language preference, then press the NEXT (➡️) button.

The interface will confirm your selection and provide options to go back (press BACK (⏪)) or to go to the next step (press NEXT (➡️)).



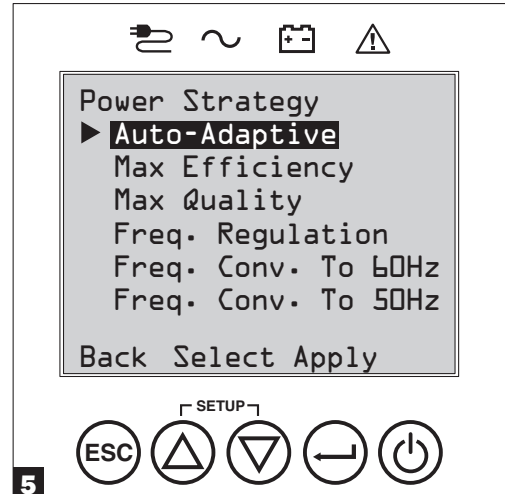
Operations

5 Select your Power Strategy

Next, the UPS will prompt you to pick the desired POWER STRATEGY.

Using the UP / DOWN (▲) (▼) buttons, select your POWER STRATEGY preference and press the APPLY (⊖) button.

See the **Power Strategy Selection Options** and **UPS Operating Modes** sections under the Operations section for operating characteristics of each power strategy.

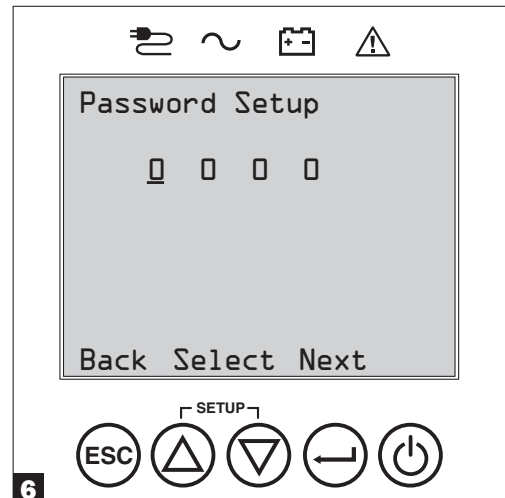


6 Select your Password

Next, the UPS will prompt you to pick the desired PASSWORD.

Using the UP / DOWN (▲) (▼) buttons, select the first digit of your desired password and press the NEXT (⊖) button to advance to the second digit. Repeat for digits 2 through 4.

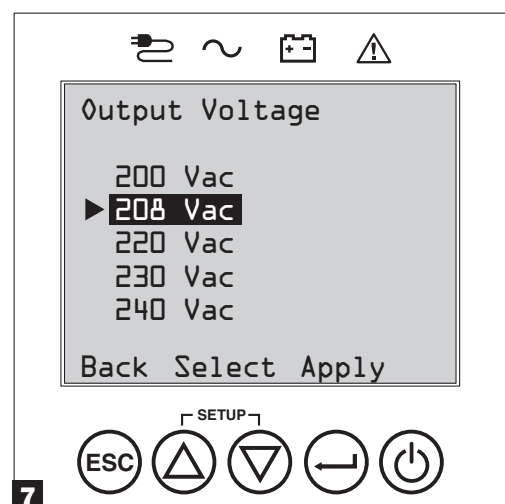
Note: To quickly set the password to "0 0 0 0" press the NEXT button 4 times.



7 Select UPS Output Voltage

Next, the UPS will prompt you to select the desired OUTPUT VOLTAGE.

Using the UP / DOWN (▲) (▼) buttons, select the UPS output voltage, then select APPLY (⊖).

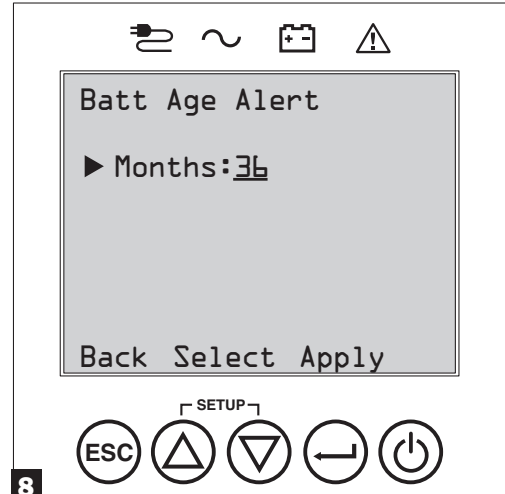


Operations

8 Select UPS Battery Age Alert

Next, the UPS will prompt you to select the timing of the Battery Age Alert notification. You can select between 12-60 months. The factory default setting is Disabled.

Using the UP / DOWN (▲) (▼) buttons, select the timing of the battery age alert in months, then press APPLY (↵).



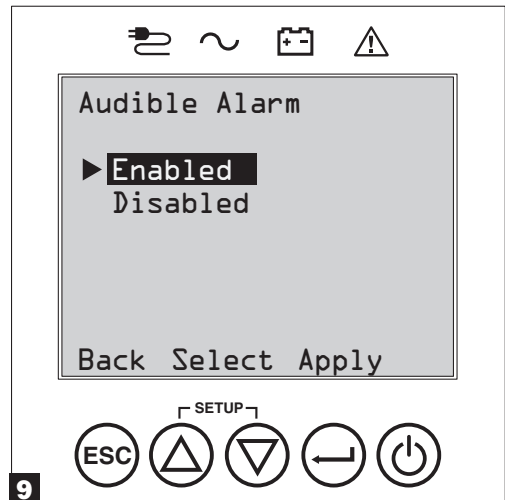
Range: 12 to 60, Default: Disabled

9 Select Audible Alarm ENABLED / DISABLED status

Next, the UPS will prompt you to select the alarm ENABLED / DISABLED status.

Using the UP / DOWN (▲) (▼) buttons, select the alarm ENABLED / DISABLED status, then press APPLY (↵).

Note: Disabling the alarm prevents the audible alarm from sounding during power failures and UPS fault conditions only. The alarm will still “chirp” to confirm operator input via the front panel LCD navigation buttons when the alarm is set to disable.



The UPS will then go through a series of diagnostic checks before turning on output power. Once the UPS reports the operating status of NORMAL / LOAD PROTECTED with the configured POWER STRATEGY enabled, your UPS can immediately be put into service to provide reliable protection from a wide variety of power problems.

Power Strategy Selection Options

Tripp Lite SmartOnline LCD UPS systems offer several built-in power strategy options that enable the UPS to optimize performance to meet user needs for MAXIMUM POWER QUALITY, MAXIMUM EFFICIENCY, and FREQUENCY REGULATION or FREQUENCY CONVERSION operation. An additional AUTO-ADAPTIVE power strategy combines the benefits of high-efficiency and maximum power quality. Each power strategy option enables the UPS to automatically shift between specific operating modes as power and UPS status dictates. Available power strategy options include:

- **Auto-Adaptive Power Strategy** enables the UPS to automatically switch between ONLINE MODE and ECONOMY MODE as dictated by the quality and reliability of UPS input power. If the UPS does not experience a power failure in a week's time (not including UPS self-test) the UPS will automatically switch to ECONOMY MODE. If a power failure occurs, the UPS will maintain output in BATTERY MODE. When power is restored, the UPS will repeat the cycle by running in ONLINE MODE until there are no power failures for one week's time. Auto-bypass mode is available during UPS failure modes when AC input is within the bypass range.
- **Max-Efficiency Power Strategy** enables the UPS to run continuously in ECONOMY MODE anytime incoming AC power is within the configured bypass low/high voltage range. If UPS input voltage is outside the configured bypass range, the UPS will automatically switch to ONLINE MODE until AC input voltage is restored within the configured bypass voltage range. This is similar to Auto-Adaptive Power Strategy, except transfer to ECONOMY MODE is immediate as voltage levels recover. There is no one-week time period of power failure free operation required in order for the UPS to return to ECONOMY MODE operation. Auto-bypass mode is available during UPS failure modes when AC input is within the bypass range.
- **Max-Quality Power Strategy** enables the UPS to run continuously in ONLINE MODE the entire time incoming AC power is within the range for online mode operation. The UPS will remain operating continuously in Online Double-Conversion mode, providing the highest quality output power with zero transfer time. Auto-bypass mode is available during UPS failure modes when AC input is within the bypass range.
- **Frequency Regulation Power Strategy** is similar to Max-Quality Power Strategy, except the UPS will actively regulate output frequency within +/- 0.5 Hz of the 50 or 60 Hz nominal frequency measured on startup. The UPS will remain operating continuously in Online Double-Conversion mode, providing the highest quality output power with zero transfer time.

Note: Auto bypass during a fault is available. Bypass is not available when the UPS is in Off Mode.

- **Frequency Conversion to 60 Hz & Frequency Conversion to 50 Hz Power Strategies** are similar to Max-Quality power strategy, except the UPS will actively regulate output within +/- 0.5 Hz of the 50 Hz (Freq. Conv. to 50 Hz setting) or 60 Hz (Freq. Conv. to 60 Hz setting). Auto-bypass is not available in FREQUENCY CONVERSION mode. Typical applications include converting 50 to 60 Hz (or 60 to 50 Hz) for sensitive electronic devices.

Note: Maximum power supported in Frequency Conversion mode is derated by 30%. Auto bypass during a fault is not available.

UPS Operating Modes

Tripp Lite SmartOnline UPS systems are able to automatically switch between operating modes under conditions specified in the configured Power Strategy. The UPS continuously indicates status using front panel LEDs and the interactive LCD viewing screen.

- **Battery Mode** is the UPS system's automatic response to power failures and voltage variations outside of the online voltage range. In BATTERY MODE, the UPS maintains sine wave AC output power from battery reserves. Once power is restored, the UPS will return to the protected operating mode as dictated by the configured power-strategy and input power conditions.
- **Online Mode** (also known as ONLINE, DOUBLE CONVERSION MODE) offers the highest level of UPS equipment protection. In ONLINE MODE, the UPS actively regenerates power from AC to DC, then from DC to AC to provide continuously regulated AC output within 2% of the selected nominal output voltage with zero transfer time as the UPS switches between ONLINE and BATTERY modes.
- **Economy Mode** offers power saving operation with the highest level of UPS operating efficiency. In ECONOMY MODE, the UPS saves energy by turning off the online, double-conversion process whenever input power is within the ECONOMY MODE voltage range. If line voltage or frequency falls outside of the ECONOMY MODE, the UPS will respond by automatically switching to ONLINE MODE until line voltage recovers.
- **Frequency Regulation Mode** gives the UPS the ability to correct frequency variations present on UPS input power. See **Power Strategy Selection Options** section for details.
- **Frequency Conversion to 60 Hz and Frequency Conversion to 50 Hz Modes** give the UPS the ability to convert frequency from 50 Hz to 60 Hz (or 60 Hz to 50 Hz). The output frequency is fixed at 60 Hz or 50 Hz, based on the selected frequency setting. The UPS will accept input frequency from 40-70 Hz and convert, as needed. See **Power Strategy Selection Options** section for details.

Note: Maximum power supported in Frequency Conversion mode is derated by 30%.

- **Bypass Mode** offers filtered and unregulated power to connected equipment.

Operations

Power Strategy Operating Features and Supported UPS Operating Modes

The configured UPS Power Strategy provides a framework for UPS operation as it switches between operating modes as dictated by power events and UPS status. Each Power Strategy offers a unique set of operating parameters that the UPS adheres to in order to meet user preferences for high performance or high efficiency. Additional frequency regulation and conversion options are also available for advanced applications. The chart below lists the UPS operating modes supported for each Power Strategy option.

		UPS OPERATING MODES UPS automatically switches operating modes as dictated by the configured power strategy, current power and UPS status conditions.			
		Support for ONLINE MODE	Support for ECONOMY MODE	Support for BATTERY MODE	Support for AUTO-BYPASS
POWER STRATEGY SELECTION OPTIONS Your power strategy selection enables the UPS to switch between operating modes as described.	AUTO ADAPTIVE UPS runs continuously in ECONOMY MODE after running in ONLINE MODE for one continuous week without a power failure.	YES. When input is within the ONLINE voltage range, but outside the BYPASS voltage range, and after AC power is restored.	YES. When input is within the ECONOMY MODE voltage range and there are no power failures for one week.	YES.	YES. In the event of UPS inverter fault while input voltage is within the BYPASS voltage range.
	MAX. QUALITY UPS runs in ONLINE MODE continuously to maintain the highest quality output power for connected equipment.	YES. When input is within the ONLINE voltage range.	NO.	YES.	YES. In the event of UPS inverter fault while input voltage is within the BYPASS voltage range.
	MAX. EFFICIENCY UPS runs in ECONOMY MODE full time when input is within the bypass range.	YES. When input is within the ONLINE voltage range, but outside the BYPASS voltage range.	YES. When input is within the ECONOMY MODE voltage range.	YES.	YES. In the event of UPS inverter fault while input voltage is within the BYPASS voltage range.
	FREQUENCY REGULATION UPS regulates output to within ± 0.5 Hz of nominal.	YES. When input is within the ONLINE voltage range.*	NO.	YES.	YES. In the event of UPS inverter fault while input voltage is within the BYPASS voltage range.
	FREQUENCY CONVERSION TO 60 Hz UPS converts to 60 Hz (± 0.5 Hz).	YES. When input is within the ONLINE voltage range.**	NO.	YES.	NO.
	FREQUENCY CONVERSION TO 50 Hz UPS converts 60 Hz input to 50 Hz (± 0.5 Hz).	YES. When input is within the ONLINE voltage range.**	NO.	YES.	NO.

* LCD displays *FREQUENCY REGULATION* as the operating mode with derating information.

** LCD displays *FREQUENCY CONVERSION* as the operating mode with derating information.

Operations

Front Panel LCD Selection and Configuration Options

MAIN MENU / SUBMENU	DISPLAY / SETTING OPTIONS	DISPLAY / SETTING DESCRIPTION
STATUS		
Load Status	<ul style="list-style-type: none"> • Load level (% , kW, kVA, A, PF) • Available capacity (% , kW, kVA) 	UPS load percent (%), kilowatt (kW), kilovoltamp (kVA), amp (A) & power factor (PF). UPS capacity available in percent (%), kilowatts (kW) & kilovoltamps (kVA).
In/Out Status	<ul style="list-style-type: none"> • Input voltage & frequency (Vac, Hz) • Output voltage & frequency (Vac, Hz) • Load Group 1 (On, Off) • Load Group 2 (On, Off) • Load Group 3 (On, Off) 	Displays UPS input and output status information for input / output voltage (Vac), frequency (Hz) and outlet group power status (On/ Off) information.
Energy Status	<ul style="list-style-type: none"> • Efficiency (%) • Avg. Power (kw/hr.) • Configured power strategy 	Displays UPS efficiency percentage (%), connected equipment kilowatt hour consumption (kw/hr.) and configured power strategy.
Battery Status	<ul style="list-style-type: none"> • Battery model & serial number • Installed (mm/dd/yyyy) • Expires (mm/dd/yyyy) 	Displays Battery Pack model number & serial number (Tripp Lite SMART BATTERY PACKS) only, installation date and user configured expiration date.
Power Flow Chart	<ul style="list-style-type: none"> • View UPS operational flow chart 	Displays UPS operating mode in a graphical flow chart.
CONTROL		
Start Batt. Test	<ul style="list-style-type: none"> • Initiates a manual battery test 	Initiates a momentary UPS battery self-test with immediate Pass/Fail results.
Reset Fault State	<ul style="list-style-type: none"> • Resets any fault state messages 	Use this option to clear UPS fault messages.
Auto Batt. Testing	<ul style="list-style-type: none"> • Set regular battery self-test interval <ul style="list-style-type: none"> ◦ Disable ◦ 4 weeks (factory setting) ◦ 13 weeks ◦ 26 weeks 	Use this option to initiate automatic UPS battery testing at regular intervals.
EVENT LOG		
On Batt. Events	<ul style="list-style-type: none"> • Event counter (UPS On-battery events only) • Total minutes (total minutes of on-battery mode operation) • Most recent power failure (date) • Months until battery replacement alert (months) • Event details (date, time & description for the last 20 logged events) 	Displays a summary of all ON-BATTERY events where the UPS switched to battery mode in response to a protected condition. Event details lists the last 20 battery events. As additional alerts occur, the oldest records will be automatically removed.
All Events	<ul style="list-style-type: none"> • Event counter (all events) • Most recent event (date) • Date time log 	Displays a summary of all Recorded events. Event details lists the last 20 events. As additional alerts occur, the oldest records will be automatically removed.
SETTINGS		
Basic setup	System <ul style="list-style-type: none"> • Current date (display, set date) • Current time (display, set time) • Audible alarm (enable, disable) • Language (select) 	Displays, sets and resets date, time, audible alarm status and language settings. Note: Audible Alarm DISABLE setting prevents power fail and operating fault alarms only, the UPS will always “beep” to confirm the UPS is accepting user input from the front-panel LCD navigation buttons. Note: The current date and current local time are reported directly from the remote management card.
	Output voltage <ul style="list-style-type: none"> • 200 • 208 • 220 • 230 • 240 	Use the SETTINGS / BASIC / OUTPUT VOLTAGE option to display or set the nominal UPS output voltage (changes take effect on next restart).

Operations

MAIN MENU / SUBMENU	DISPLAY / SETTING OPTIONS	DISPLAY / SETTING DESCRIPTION
SETTINGS		
Basic setup (continued)	Power strategy: <ul style="list-style-type: none"> • Auto-Adaptive • Max Efficiency • Max Quality • Freq. Regulation • Freq. Conversion to 60 Hz • Freq. Conversion to 50 Hz 	Use the SETTINGS / BASIC / POWER STRATEGY option to display or set the UPS Power strategy. See Power Strategy Selection Options section under the Operations section for more info on the available power strategy options.
	Battery: <ul style="list-style-type: none"> • Battery configuration • External Batt • Battery Age Alert 	Use the Settings/Basic/Battery option to view external battery installed and its expiration dates, along with replacement battery cartridge information. See Operations/Configuring External Battery Packs for information on how to configure external battery packs. Battery Age Alert enables setting the duration for the battery replacement reminder. The factory default setting is Disabled.
Advanced setup	System: <ul style="list-style-type: none"> • Display brightness <ul style="list-style-type: none"> ◦ High ◦ Medium (factory setting) ◦ Low • Backlight dim: Enter 10-120 seconds (factory setting is 60 seconds) • Password: Set your 4 digit password (factory setting is 0000) • Factory reset (resets all UPS preferences to factory settings, including battery configurations) <p>Note: When executed, the card will reboot.</p>	Use the SETTINGS / ADVANCED / SYSTEM option to set the display brightness, the display backlight dim time-out, password or factory reset options.
	In/Out: <ul style="list-style-type: none"> • Overload Alert Lvl: Enter a value 5-105% (factory setting is 105%) 	Use SETTINGS / ADVANCED / IN-OUT for these options: Sets the UPS output load percentage before an overload alert is sent.
	<ul style="list-style-type: none"> • Conf. Fault Action (UPS response to fault) <ul style="list-style-type: none"> ◦ Go to Bypass (factory default) ◦ Go to Standby 	Sets the UPS response to fault conditions that require the UPS to exit double-conversion mode. GO TO BYPASS option maintains AC output (so long as input voltage is within bypass high/low limits). GO TO STANDBY option causes the UPS to turn off output AC in response to fault conditions.
	<ul style="list-style-type: none"> • Bypass Low Limit: Enter a value -5% to -20% (factory setting is -15%) 	Specifies the lowest acceptable input voltage for bypass operation.
	<ul style="list-style-type: none"> • Bypass High Limit: Enter a value +5% to +20% (factory setting is +15%) 	Specifies the highest acceptable input voltage for bypass operation.
	On/Off: <ul style="list-style-type: none"> • Cold Start <ul style="list-style-type: none"> ◦ Enable (factory setting) ◦ Disable 	Use SETTINGS / ADVANCED / ON-OFF for these options: Enabling Cold-start allows the UPS to be manually turned on into battery mode during a power failure.
	<ul style="list-style-type: none"> • Auto Restart <ul style="list-style-type: none"> ◦ Enable (factory setting) ◦ Disable 	Enabling Auto-restart allows the UPS to automatically turn back on into a protected operating mode when power is restored.
	<ul style="list-style-type: none"> • Auto Restart Delay <ul style="list-style-type: none"> ◦ Enter: 0 to 60 seconds (factory setting is 0 seconds) 	Auto-restart delay forces the UPS to wait 0-60 seconds after power is restored before automatically restarting. Requires that Auto-restart when power is restored be enabled.
	<ul style="list-style-type: none"> • Energy Saving <ul style="list-style-type: none"> ◦ Enter: 0-100% ◦ Disable (factory setting) 	Energy saving enables the UPS to automatically shutdown when the output load is less than the selected percentage continuously for 5 minutes.
	<ul style="list-style-type: none"> • Off Mode <ul style="list-style-type: none"> ◦ Standby ◦ Bypass (factory setting) 	Off mode setting of BYPASS allows the UPS to provide unregulated line power within configured bypass low / high limits to be available at the output of the UPS when it is turned off.
<ul style="list-style-type: none"> • Min. Batt to Restart <ul style="list-style-type: none"> ◦ Enter: 10-90% ◦ Disable (factory setting) 	Minimum battery charge level to restart forces the UPS to wait until batteries have recharged to the selected percentage before automatically restarting. Note: UPS can be manually started using the power button if battery is below the minimum battery restart threshold. Requires that Auto-restart when power is restored be enabled.	

Operations

MAIN MENU / SUBMENU	DISPLAY / SETTING OPTIONS	DISPLAY / SETTING DESCRIPTION
SETTINGS		
Advanced setup (continued)	On Battery: <ul style="list-style-type: none"> • Low Batt. Alert <ul style="list-style-type: none"> ◦ Enter: 10-90% (factory setting is 20%) • Timed Shutdown <ul style="list-style-type: none"> ◦ Enter: 15, 30, 45 sec., 1-30 min. ◦ Disable (factory setting) 	<p>Enables the UPS to send a low-battery alert as batteries discharge to the selected charge level during a power failure.</p> <p>Timed shutdown sets the maximum amount of battery runtime in seconds or minutes the UPS will provide during a power failure. Use the DISABLE setting for the longest possible battery runtime.</p>
	<ul style="list-style-type: none"> • Low Battery Shutdown <ul style="list-style-type: none"> ◦ Enter: 5-100% ◦ Disable (factory setting) 	<p>Low battery shutdown sets the maximum amount of battery discharge before the UPS shuts down due to low battery. The setting of DISABLE allows the batteries to discharge to 0% before shutdown.</p>
	<ul style="list-style-type: none"> • On Batt. Beep Delay <ul style="list-style-type: none"> ◦ Enter: 0-120 seconds (factory setting is 5 seconds) 	<p>The “Beep Delay” setting allows the audible alarm to be delayed up to 120 seconds to prevent the audible-alarm from sounding in response to short duration power failures.</p>
	<ul style="list-style-type: none"> • Shutdown Completion <ul style="list-style-type: none"> ◦ Required (factory setting) ◦ Interrupt OK 	<p>The UPS will communicate shutdown messaging to connected systems prior to UPS shutdown. The setting of INTERRUPT OK will interrupt shutdown messaging if power is restored after shutdown messaging is sent.</p>
	DB9 Settings: <ul style="list-style-type: none"> • DB9 Settings <ul style="list-style-type: none"> ◦ Output pins 1&5 <ul style="list-style-type: none"> - On battery (factory default) - On bypass - Output on - Low battery (battery mode only) ◦ Output pins 8&5 <ul style="list-style-type: none"> - On battery - On bypass - Output on - Low battery (battery mode only—factory default) ◦ Input pins 3&9 <ul style="list-style-type: none"> - Shutdown (battery mode only—factory default) - Output off - Reboot - Output on - Power Toggle 	<p>The UPS will signal the selected condition by shorting pins 1 and 5 on the DB9 port. The max voltage and current flow through this dry contact connection is 30VDC 10mA.</p> <p>The UPS will signal the selected condition by shorting pins 8 and 5 on the DB9 port. The max voltage and current flow through this dry contact connection is 30VDC 10mA.</p> <p>The UPS will perform the selected action when pins 3&9 are shorted on the DB9 port for at least 4 seconds.</p> <p>For the Reboot option (output off for 30 seconds before reboot): Note the pins must be shorted for at least 4 seconds to perform the reboot. The reboot happens at exactly 4 seconds. If the pins continue to be shorted for more than 4 seconds, no further action should be taken. The UPS takes no action on release of the short.</p> <p>The Power Toggle option is intended to keep the unit powered on whenever the pins are not shorted and powered off whenever the pins are shorted. Note this input cannot power on the unit from an off state unless valid AC is applied (this function will not impose a coldstart). To power on, the pins must be not shorted for at least 4 seconds and AC must be valid. To power off, the pins must be shorted for at least 4 seconds.</p> <p>The UPS will perform the selected action if the USB signal from a connected device is lost in line power mode for the duration selected.</p>
	ABOUT	
UPS Information	UPS model number, UPS Serial number, UPS installed date	UPS installed date is automatically set by the unit after 2 hours of continuous operation.
Network ID	Web management accessory card firmware, IPv4 address, IPv6 address, MAC Address	
Firmware	UPS firmware versions	
Mobile Access	—	Directs user to the SNMP card interface. The URL is secure HTTPS.
DOCUMENTATION		
Documentation QR code	—	Directs user to product documentation on the Tripp Lite website.

Operations

Configuring External Battery Packs

Tripp Lite SmartOnline UPS systems support the connection of external battery packs to enable extended-run UPS operation. In order for the UPS to provide efficient charging levels and accurate runtime predictions for optimal network runtime prior to sending auto-shutdown messaging, external battery packs need to be configured to the UPS upon installation.

There are two methods available to configure external battery packs to the UPS, depending on battery pack selected and quantity added to the UPS. Some battery pack configurations may require the use of more than one configuration method.

Configured AUTOMATICALLY (Using SMART Battery Packs)	Or Using EXTERNAL BATTERY CONFIGURATION SOFTWARE
UPS supports automatic detection of up to 4 SMART BATTERY PACKS connected to the UPS.	External Battery Configuration software can be used to configure the UPS for any supported quantity of SMART & NON-SMART external battery packs.

Tripp Lite *SMART Battery Packs* include a wired data connection that enables automatic detection and configuration for up to 4 SMART Battery Packs to the UPS. Tripp Lite *Legacy NON-SMART* battery packs are also supported for extended runtime applications, but require user configuration through the use of EXTERNAL BATTERY CONFIGURATION SOFTWARE.

Configuring SMART and NON-SMART BATTERY PACKS

Adding up to 4 SMART BATTERY PACKS to the UPS

Up to 4 SMART battery packs can be connected to each UPS for fully automatic detection and configuration. SMART battery packs include a wired data connection that connects to the UPS Battery Pack Detection port for automatic recognition and configuration by the UPS.

To configure the UPS for use with up to 4 SMART BATTERY PACKS, just connect the included POWER and DATA cables between the UPS and the first SMART BATTERY PACK. Then connect the POWER and DATA cables for additional SMART BATTERY PACKS to the one ahead of it. The UPS will automatically detect and configure up to 4 SMART BATTERY PACKS to the UPS.

Adding more than 4 SMART BATTERY PACKS to the UPS

SmartOnline UPS systems support automatic detection of up to 4 SMART BATTERY PACKS as described above. If more than four battery packs need to be configured, all packs must be configured via BP config software. In this configuration, do not connect the smart battery cable to any of the external battery packs.

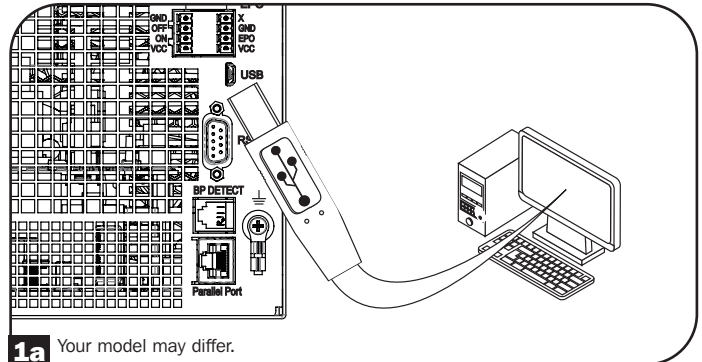
Optional Connections

Your UPS will function properly without these connections.

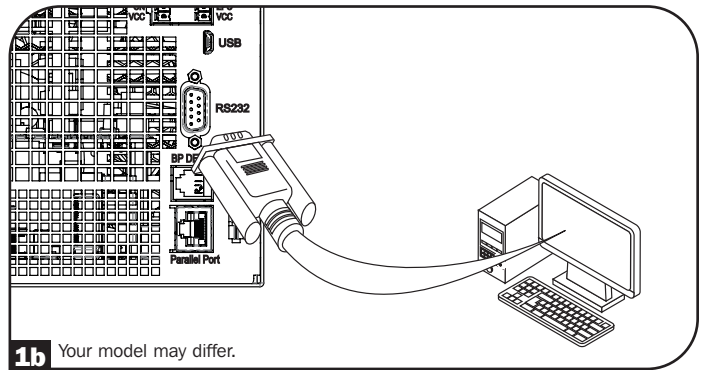
1 USB and RS-232 Dry Contact Communications

Use the included USB cable (see figure 1a) and/or RS-232 serial cable (see figure 1b) to connect the communication port of your computer to the communication port of your UPS. Install on your computer the Tripp Lite PowerAlert Software appropriate to your computer's operating system. Consult your PowerAlert manual for more information.

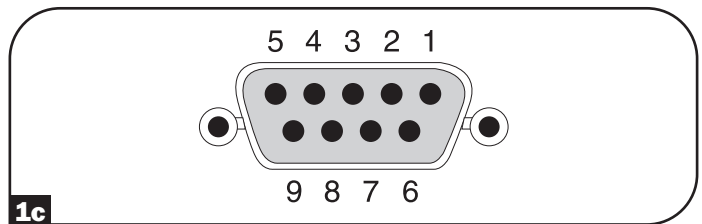
1c RS-232 dry contact communications are simple, but some knowledge of electronics is necessary to configure them. The RS-232 port's pin assignments are shown in the diagram. If the UPS battery is low, the UPS sends a signal by bridging pins 8 and 5. If utility power fails, the UPS sends a signal by bridging pins 1 and 5. To shut the UPS down remotely, short pin 3 to pin 9 for at least 4 seconds. Additional functions of these pins can be configured through the LCD or via Web management accessory card communication.



1a Your model may differ.



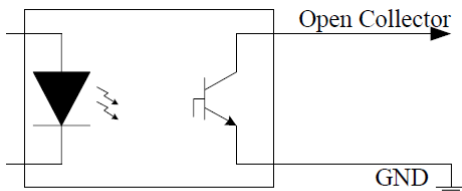
1b Your model may differ.



1c

PIN	Assignment Description	
	RS-232	Dry Contact
1		Utility Fail (Open Collector)
2	UPS TxD	
3	UPS RxD	Remote Shutdown (5-12V)
4	Reserved	Reserved
5	GND	GND
6	Reserved	Reserved
7		
8		Low Battery (Open Collector)
9		+12V (1KΩ source)

Rating and characteristics of pin 1 and 8 to GND		
Parameter	Value	Conditions
Maximum collector voltage	30V	
Maximum collector current	10mA	
Maximum reverse collector voltage	-5V	
Maximum leakage current	0.1μA	Collector voltage = 20V, pin function is not active
Typical voltage drop	0.5V	Collector current = 5mA, pin function is active



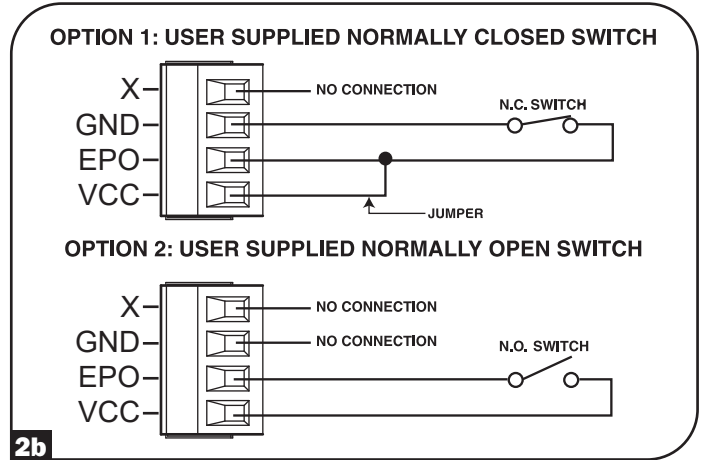
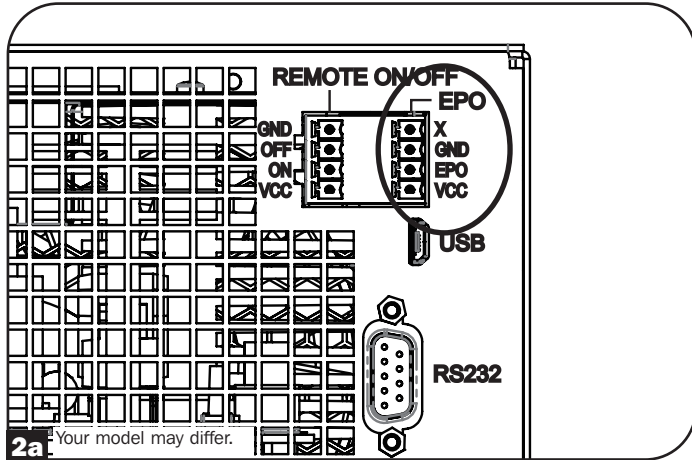
Open Collector Circuit

Optional Connections

2 EPO Port Connection

This optional feature is only for those applications that require connection to a facility's Emergency Power Off (EPO) circuit. When the UPS is connected to this circuit, the UPS goes into fault standby. Connect the EPO port of your UPS (see **2a**) to a user-supplied normally closed or normally open switch according to the circuit diagram (see **2b**).

Note: The 4-pin terminal block supports wire gauges from 14-30 AWG with a strip length of 7 mm. The M2 terminal screws should be tightened between 0.22~0.25 Nm. If a non-latching EPO switch is used, the EPO must be held for minimum of 1 second. This does not apply to a latching EPO switch.



UPS state when asserting EPO with valid AC input present:

AC Output	LCD Screen Status	LEDs Status	USB	Serial	SNMP
Off	EPO Active	Only AC Input Indicator is On.	Off	Off	Off

To restart the UPS after EPO assertion with valid AC input present:

1. Verify that the EPO assertion has been removed or cleared.
2. Press and hold the POWER ON/OFF button until it beeps. Now the UPS will start back up in one of the pre-configured normal operating modes.

UPS state when asserting EPO without valid AC input present (Battery Mode):

AC Output	LCD Screen Status	LEDs Status	USB	Serial	SNMP
Off	EPO Active	Off	Off	Off	Off

To restart the UPS after EPO assertion:

1. Verify that the EPO assertion has been removed or cleared.
2. Press and hold the POWER ON/OFF button until it beeps. Now the UPS will restart to either Battery Mode or the preconfigured normal operating mode (if AC power is present).

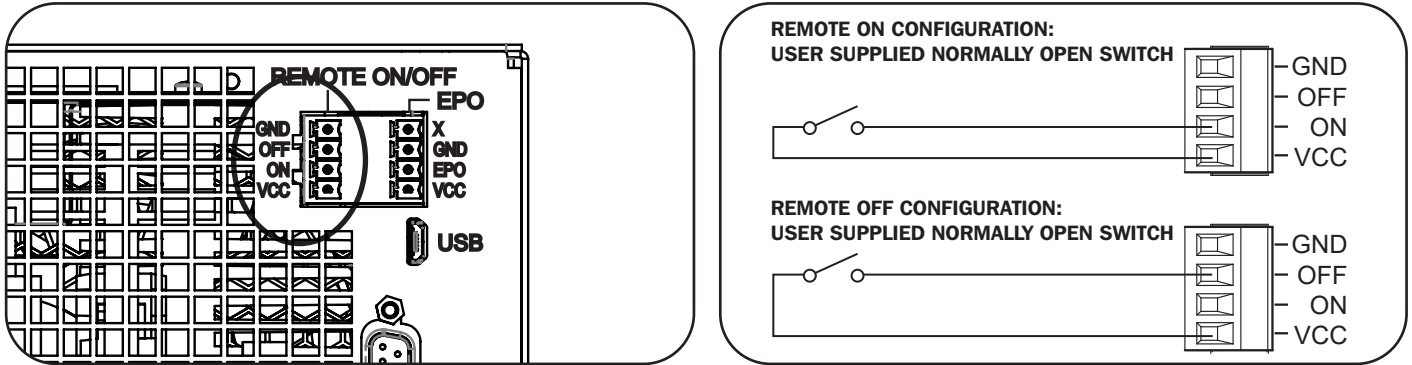
Optional Connections

3 Remote ON/OFF Configuration

This feature is intended for switching the UPS to Bypass Mode for the Remote OFF configuration, or to Line Mode for the Remote ON configuration.

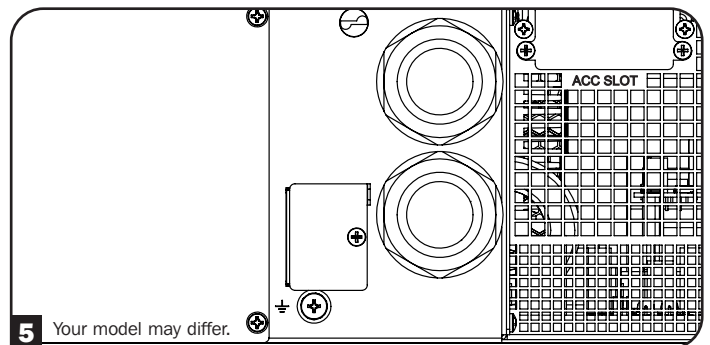
Note: The 4-pin terminal block supports wire gauges from 14-30 AWG with a strip length of 7 mm. The M2 terminal screws should be tightened between 0.22~0.25 Nm. **Note:** Before activating the Remote ON function, verify the AC input is present and valid.

Note: Before activating the Remote ON function, verify the AC input is present and valid. The 4-pin terminal block supports wire gauges from 14-30 AWG with a strip length of 7 mm. The M2 terminal screws should be tightened between 0.22~0.25 Nm.



4 External Battery Connection

Check the **Model Specific Accessories** section under **Overview** for compatible battery packs and maximum quantities for your UPS system. Ensure that your battery pack matches the voltage listed next to your UPS battery connector. Adding external batteries will increase runtime as well as recharge time. See the battery pack owner's manual for complete installation and setup instructions. Make sure to attach the ground wire of the battery cable to the ground screw located near the DC connector first. Connect the DC connector and make sure it is fully inserted into its connectors prior to securing it with the thumbscrew. Small sparks may result during battery connection; this is normal. Do not connect or disconnect battery packs when the UPS is running on battery power.



IMPORTANT! In order for the runtime-remaining LCD and the software information screens to accurately predict runtime with external battery packs connected, you must configure via the Smart battery communication method (limit 4 Smart battery packs), via the front panel LCD or Tripp Lite's External Battery Configuration software. See **Configuring External Battery Packs** section under **Operations**.



When installing an external battery pack, observe all external battery warnings in the **Important Safety Instructions** section of this manual and follow the external battery pack installation instructions.

Troubleshooting and Event Log

See the chart below for explanation of UPS faults and warnings that can be accessed via the Event Log feature via the LCD screen or PowerAlert software, as well as suggested solutions for each fault/warning.

LCD Display Message	LCD Display Header Text	Comments
UPS Internal Errors/Faults:		
Inverter Over Current	** FAULT **	If issue persists, contact Tripp Lite.
Inverter Over Current	** FAULT **	If issue persists, contact Tripp Lite.
Inverter Abnormal OCP	** FAULT **	If issue persists, contact Tripp Lite.
Inverter Bus Voltage	** FAULT **	If issue persists, contact Tripp Lite.
Internal Comm Lost	** FAULT **	If issue persists, contact Tripp Lite.
LCR Fault	** FAULT **	The UPS will not turn on. If issue persists, contact Tripp Lite.
Transaction Timeout	** FAULT **	If issue persists, contact Tripp Lite.
Emergency Shutdown	** FAULT **	If issue persists, contact Tripp Lite.
RTOS Fault	** FAULT **	If issue persists, contact Tripp Lite.
Low Power Supply	** FAULT **	If issue persists, contact Tripp Lite.
Manual Bypass Fault	** FAULT **	If issue persists, contact Tripp Lite.
PFC Precharge Fault	** FAULT **	If issue persists, contact Tripp Lite.
PFC Over Voltage	** FAULT **	If issue persists, contact Tripp Lite.
PFC Under Voltage	** FAULT **	If issue persists, contact Tripp Lite.
PFC Over Voltage	** FAULT **	If issue persists, contact Tripp Lite.
PFC Under Voltage	** FAULT **	If issue persists, contact Tripp Lite.
PFC Over Current	** FAULT **	If issue persists, contact Tripp Lite.
PFC Over Current	** FAULT **	If issue persists, contact Tripp Lite.
Header Mismatch	** ERROR **	If issue persists, contact Tripp Lite.
Fan Defective RPM Low	** ERROR **	If issue persists, contact Tripp Lite.
NVR Checksum Mismatch	** ERROR **	If issue persists, contact Tripp Lite.
NVR Invalid	** ERROR **	If issue persists, contact Tripp Lite.
RTC Oscillator Failed	** ERROR **	If issue persists, contact Tripp Lite.
RTC Corrupt Data	** ERROR **	If issue persists, contact Tripp Lite.
Logging Error	** ERROR **	If issue persists, contact Tripp Lite.
EEPROM Write Error	** ERROR **	If issue persists, contact Tripp Lite.
Fan Over Voltage	** ERROR **	If issue persists, contact Tripp Lite.
Fan Not Functioning	** ERROR **	If issue persists, contact Tripp Lite.
NVR Status Checksum	** ERROR **	If issue persists, contact Tripp Lite.
Load Sharing	** ERROR **	If issue persists, contact Tripp Lite.
Battery Health Failed	** ERROR **	If issue persists, contact Tripp Lite.
Double Queued Event	** ERROR **	If issue persists, contact Tripp Lite.
EEPROM Queue Overflow	** ERROR **	If issue persists, contact Tripp Lite.
Load/Temperature Related Errors/Faults:		
Over Temperature	** FAULT **	In this mode, most power circuits should be off, thus lowering the temperature. Once in Fault Bypass mode, if the temperature exceeds the overtemperature threshold for 5 minutes, the unit will go to latched idle.
Overload	** FAULT **	The unit should automatically revert from fault bypass mode to ECO/Online (overload release) when the load is reduced to less than 95% consistently for 10 seconds.

Troubleshooting and Event Log

LCD Display Message	LCD Display Header Text	Comments
Battery/Charger Related Errors/Faults:		
Max Battery Voltage	** FAULT **	If issue persists, contact Tripp Lite.
Min Battery Voltage	** FAULT **	If issue persists, contact Tripp Lite.
Max Battery Current	** FAULT **	If issue persists, contact Tripp Lite.
Charger Under Voltage	** ERROR **	The charger is working, but charge voltage is too low.
Charger Over Voltage	** ERROR **	The charger is working, but charge voltage is too high.
Charger Over Current	** ERROR **	The charger is working, but charge current is too high.
Charger Under Current	** ERROR **	The charger is working, but charge current is too low.
Charger Hardware Error	** ERROR **	If issue persists, contact Tripp Lite.
No Battery	** ERROR **	If there is no battery, only ECO to on-line transfers will occur.
Battery Over Voltage	** ERROR **	If issue persists, contact Tripp Lite.
Replace Battery	** ERROR **	
Low Battery Voltage	** ALERT **	
Low Battery % Shutdown	** ALERT **	
On Battery Timed SD	** ALERT **	
Other Warnings and Events:		
Number of BP changed	** ALERT **	If this change is unexpected, check smart battery communications.
Emergency Power Off	** ALERT **	Check EPO switch status and settings.
Bypass PDM Detached	** ALERT **	
Energy Saving Shutdown	** ALERT **	
NonSmart Batt Age Alrt	** ALERT **	Non-Smart Battery may need replacement.
Int Batt Age Alert	** ALERT **	Internal battery may need replacement.
Ext Batt Age Alert	** ALERT **	External Smart Batt { S/N } may need replacement.

Internal Battery Replacement

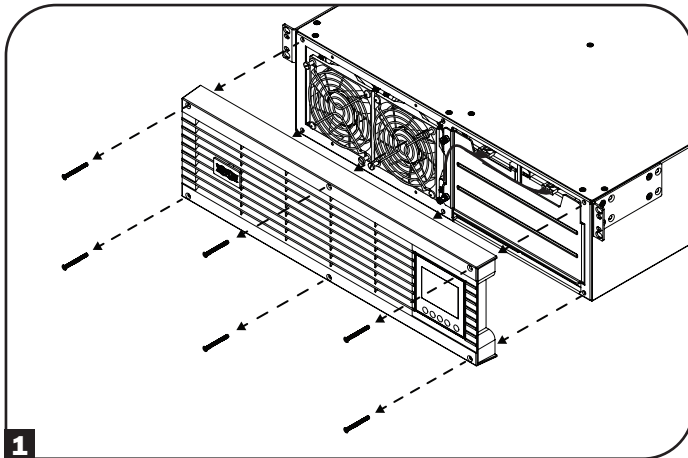


Battery Replacement Door: Under normal conditions, the original battery in your UPS will last several years. However, batteries are hot-swappable. Battery replacement should be performed only by qualified service personnel. Refer to “Battery Warnings” in the **Safety** section. If you require a replacement battery, you can find it at tripplite.com/support/battery/index.cfm. See the chart below to find the right replacement battery for your UPS system:

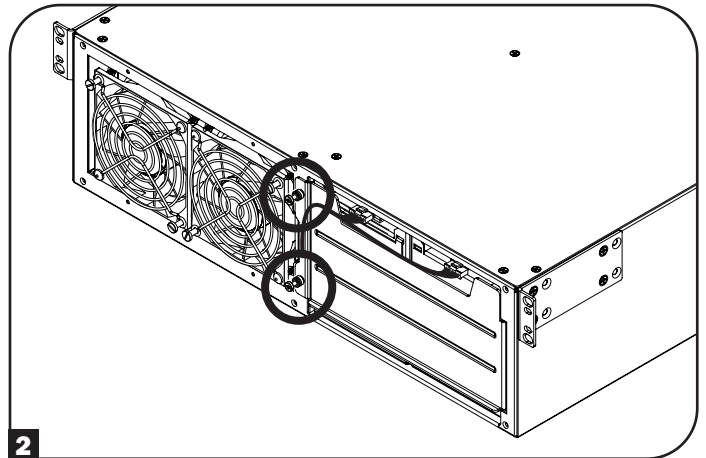
UPS Model	Replacement Battery Cartridge
SU5KRT3UHV	RBC58-3US
SU5KRT3UX	RBC58-3US
SU5KRT3UG	RBC58-3US
SU5KRT3UHW	RBC58-3US
SU6KRT3UHV	RBC58-3US
SU6KRT3UX	RBC58-3US
SU6KRT3UG	RBC58-3US
SU6KRT3UHW	RBC58-3US

See the following diagrams for battery removal and installation procedures.

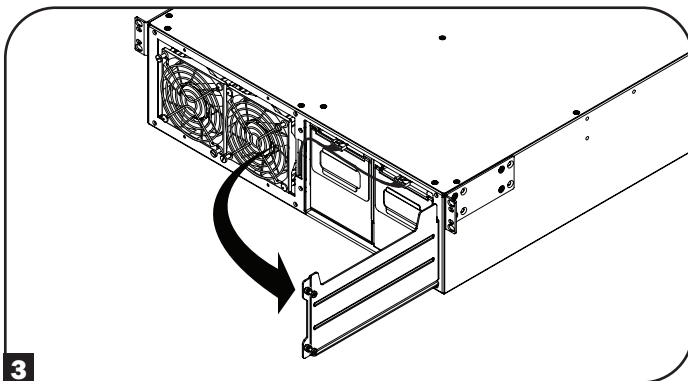
1 Remove the six front screws from the front bezel, then remove the bezel from the UPS. Hang the bezel on the available hook.



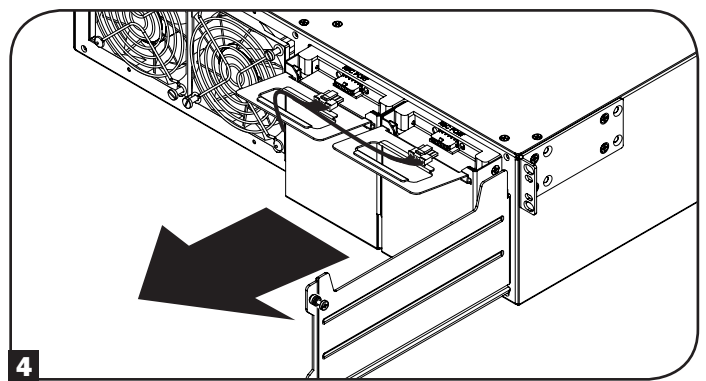
2 Loosen the two captive screws securing the battery door.



3 Open the battery door.

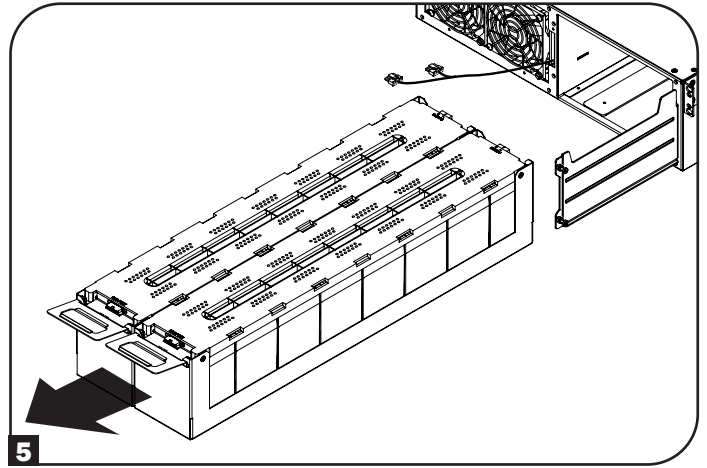


4 Using the handles attached to each tray, pull out the old battery trays slightly and disconnect the communication cables.



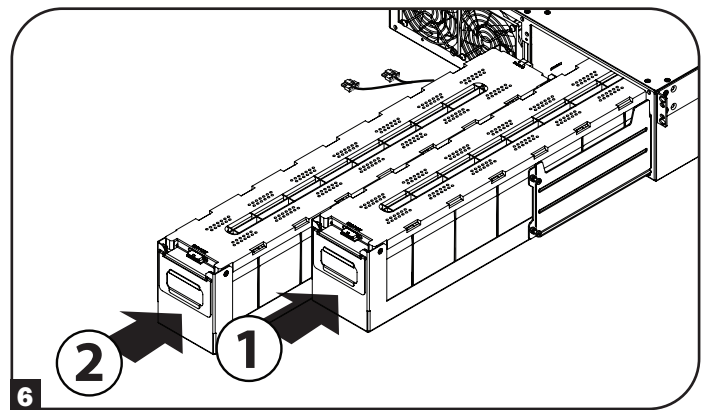
Internal Battery Replacement

- 5** Once the communication cables have been disconnected, remove both old battery trays from the UPS.

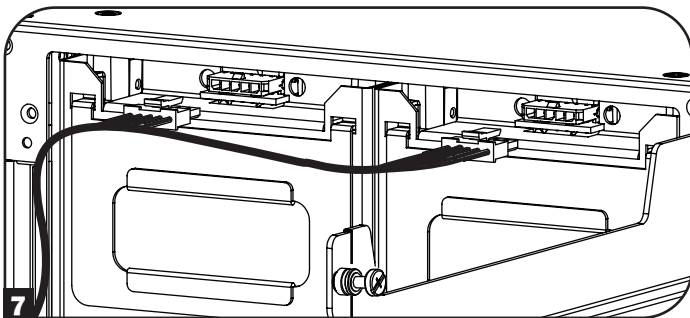


- 6** When installing the new replacement batteries, make sure the red and black DC connector end is facing towards the rear of the UPS and the communication port is facing toward the front of the UPS. Starting with the right side replacement battery pack tray, insert the battery pack tray, making sure it protrudes slightly from the UPS. Repeat for the left replacement battery pack tray.

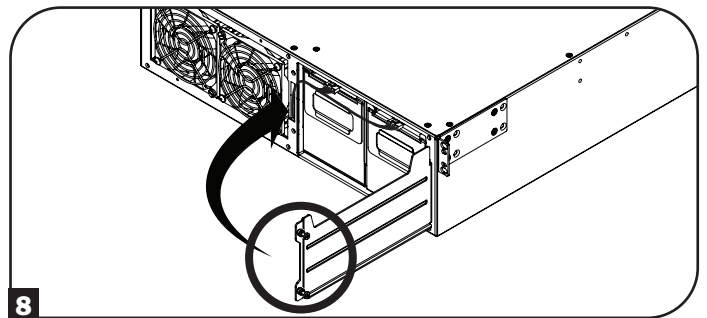
Note: For better connector access, attach the communication cable connectors before the battery packs are fully inserted into the UPS.



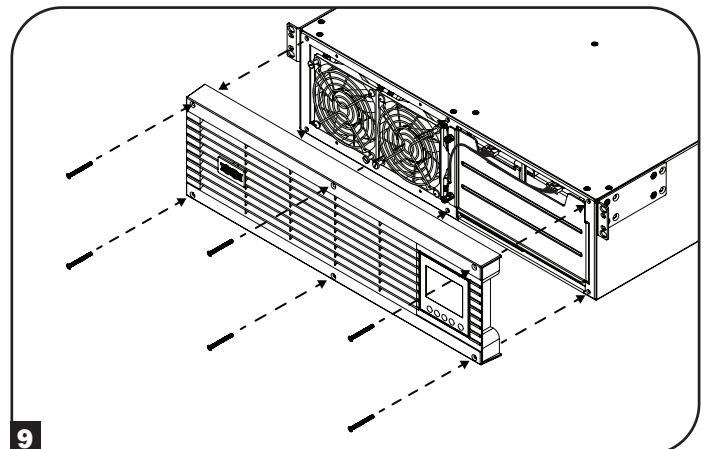
- 7** Reconnect the battery communication cables to the battery trays and push them completely into the UPS.



- 8** Close the battery door and secure by tightening the captive screws.



- 9** Reattach the front bezel to the UPS and secure with the screws removed in step **1**.



Fan Replacement

Under normal conditions, the original fan installation will last several years. The fan assemblies are replaceable. Replacements can be found at tripplite.com/support.

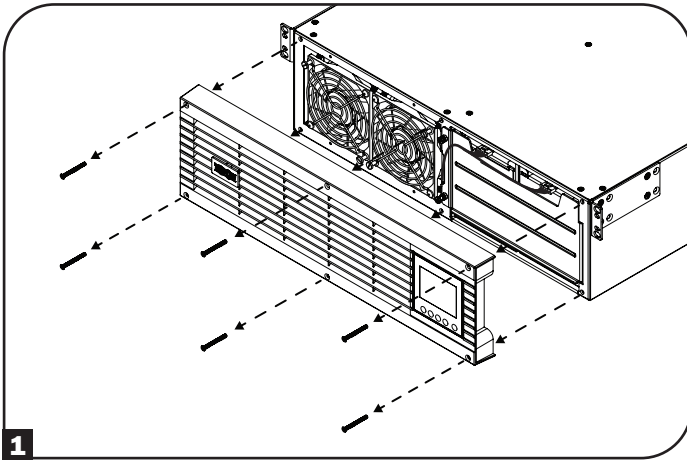


CAUTION: The fan circuitry is not isolated from AC mains. Turn off power to the UPS prior to fan replacement. Fan replacement must be performed only by qualified electrical service personnel.

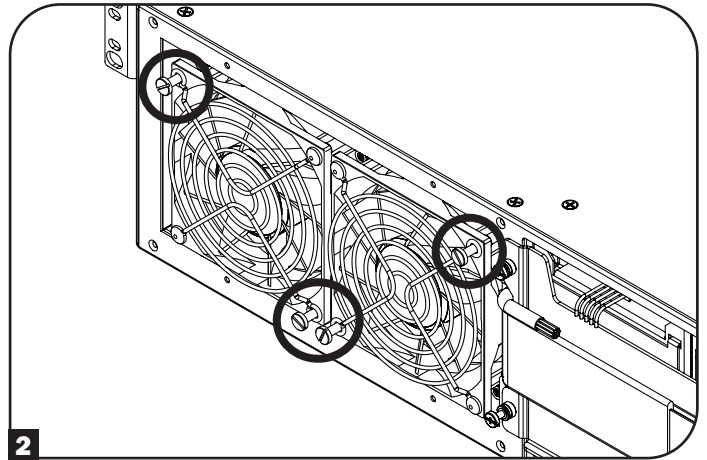


Before removing the fan assemblies, note the fan orientation. For proper installation and connectivity, the fans must remain in their original orientation.

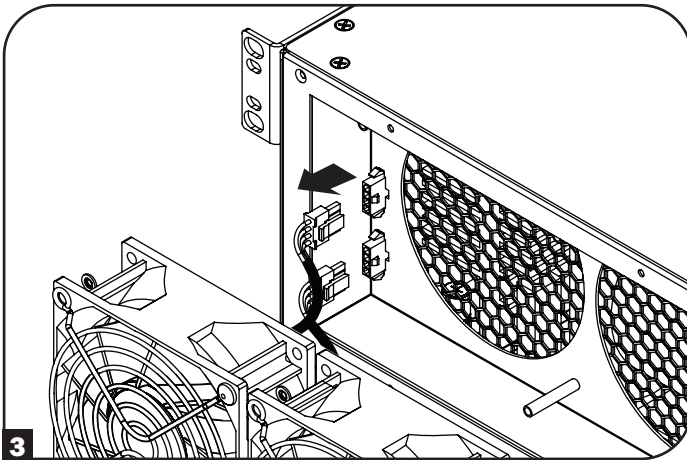
- 1** Remove the six front screws from the front bezel, then remove the bezel from the UPS. Hang the bezel on the available hook.



- 2** To replace the left-side fan or right-side fan, use a flat head screwdriver to remove the top-left screw and the bottom-right screw attached to each fan.

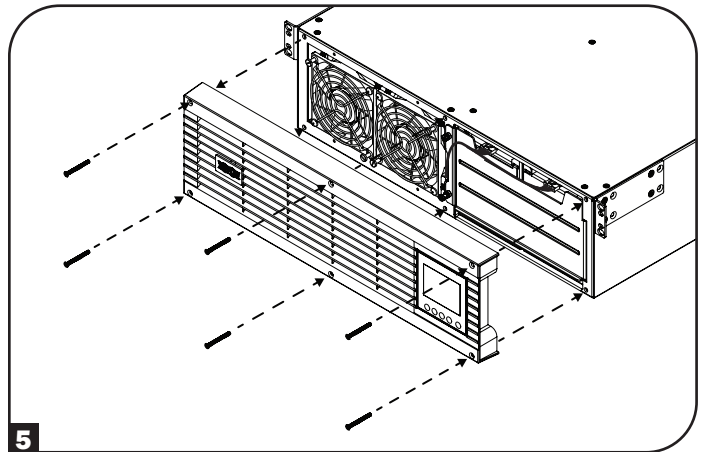


- 3** Disconnect the fan cable(s), located to the left of the fans.



- 4** Install the replacement fan(s). Connect the cable(s) in the same order as in step 3 and secure the fan(s) to the UPS in the same location and orientation as in step 2.

- 5** Reattach the front bezel to the UPS and secure with the screws removed in step 1.



Storage and Service

Storage

First turn your UPS OFF: press the “OFF” switch to turn power off at the UPS outlets, then disconnect the power cord from the wall outlet. Next, disconnect all equipment to avoid battery drain. If you plan on storing your UPS for an extended period of time, fully recharge the UPS batteries once every three months by plugging the UPS into a live AC outlet and letting the UPS charge for 4-6 hours. If you leave your UPS batteries discharged for an extended period of time, they may suffer permanent loss of capacity.

Service

Your Tripp Lite product is covered by the warranty described in this manual. A variety of Extended Warranty and On-Site Service Programs are also available from Tripp Lite. For more information on service, visit tripplite.com/support. Before returning your product for service, follow these steps:

1. Review the installation and operation procedures in this manual to ensure that the service problem does not originate from a misreading of the instructions.
2. If the problem continues, do not contact or return the product to the dealer. Instead, visit tripplite.com/support.
3. If the problem requires service, visit tripplite.com/support and click the Product Returns link. From here you can request a Returned Material Authorization (RMA) number, which is required for service. This simple on-line form will ask for your unit's model and serial numbers, along with other general purchaser information. The RMA number, along with shipping instructions will be emailed to you. Any damages (direct, indirect, special or consequential) to the product incurred during shipment to Tripp Lite or an authorized Tripp Lite service center is not covered under warranty. Products shipped to Tripp Lite or an authorized Tripp Lite service center must have transportation charges prepaid. Mark the RMA number on the outside of the package. If the product is within its warranty period, enclose a copy of your sales receipt. Return the product for service using an insured carrier to the address given to you when you request the RMA.

Warranty and Product Registration

2-Year Limited Warranty

TRIPP LITE warrants its products including batteries to be free from defects in materials and workmanship for a period of two years from the date of initial purchase. After 90 days from the date of purchase, TRIPP LITE's obligation under this warranty is limited to replacing parts on such defective products. To obtain service under this warranty, you must call TRIPP LITE or an authorized TRIPP LITE service center. Products must be returned to TRIPP LITE or an authorized TRIPP LITE service center with transportation charges prepaid and must be accompanied by a brief description of the problem encountered and proof of date and place of purchase. This warranty does not apply to equipment which has been damaged by accident, negligence or misapplication or has been altered or modified in any way. This warranty applies only to the original purchaser who must have properly registered the product within 10 days of purchase.

The warranties of all TRIPP LITE surge suppressors are null and void if they have been connected to the output of any UPS system. The warranties of all TRIPP LITE UPS Systems are null and void if a surge suppressor has been connected to its output receptacles.

EXCEPT AS PROVIDED HEREIN, TRIPP LITE MAKES NO WARRANTIES, EXPRESS OR IMPLIED, INCLUDING WARRANTIES OF MERCHANTABILITY AND FITNESS FOR A PARTICULAR PURPOSE. Some states do not permit limitation or exclusion of implied warranties; therefore, the aforesaid limitation(s) or exclusion(s) may not apply to the purchaser.

EXCEPT AS PROVIDED ABOVE, IN NO EVENT WILL TRIPP LITE BE LIABLE FOR DIRECT, INDIRECT, SPECIAL, INCIDENTAL OR CONSEQUENTIAL DAMAGES ARISING OUT OF THE USE OF THIS PRODUCT, EVEN IF ADVISED OF THE POSSIBILITY OF SUCH DAMAGE. Specifically, TRIPP LITE is not liable for any costs, such as lost profits or revenue, loss of equipment, loss of use of equipment, loss of software, loss of data, costs of substitutes, claims by third parties, or otherwise.

Product Registration

Visit tripplite.com/warranty today to register your new Tripp Lite product. You'll be automatically entered into a drawing for a chance to win a FREE Tripp Lite product!*

* No purchase necessary. Void where prohibited. Some restrictions apply. See website for details.

Regulatory Compliance Identification Numbers:

For the purpose of regulatory compliance certifications and identification, your Tripp Lite product has been assigned a unique series number. The series number can be found on the product nameplate label, along with all required approval markings and information. When requesting compliance information for this product, always refer to the series number. The series number should not be confused with the marketing name or model number of the product.

Warranty and Product Registration

FCC Specifications for Models with FCC Class A Approval:

This device complies with part 15 of the FCC Rules. Operation is subject to the following two conditions: (1) This device may not cause harmful interference, and (2) this device must accept any interference received, including interference that may cause undesired operation.

Note: This equipment has been tested and found to comply with the limits for a Class A digital device, pursuant to part 15 of the FCC Rules. These limits are designed to provide reasonable protection against harmful interference when the equipment is operated in a commercial environment. This equipment generates, uses, and can radiate radio frequency energy and, if not installed and used in accordance with the instruction manual, may cause harmful interference to radio communications. Operation of this equipment in a residential area is likely to cause harmful interference in which case the user will be required to correct the interference at his own expense. The user must use shielded cables and connectors with this equipment. Any changes or modifications to this equipment not expressly approved by Tripp Lite could void the user's authority to operate this equipment.

EMC Specifications for Models with EMC Category C2 Approval (Select Models):

WARNING: This is a category C2 UPS product. In a residential environment, this product may cause radio interference, in which case the user may be required to take additional measures.

WEEE Compliance Information for Tripp Lite Customers and Recyclers (European Union)



Under the Waste Electrical and Electronic Equipment (WEEE) Directive and implementing regulations, when customers buy new electrical and electronic equipment from Tripp Lite they are entitled to:

- Send old equipment for recycling on a one-for-one, like-for-like basis (this varies depending on the country)
- Send the new equipment back for recycling when this ultimately becomes waste

FCC Part 68 Notice (United States Only)

If your Modem/Fax Protection causes harm to the telephone network, the telephone company may temporarily discontinue your service. If possible, they will notify you in advance. If advance notice isn't practical, you will be notified as soon as possible. You will be advised of your right to file a complaint with the FCC. Your telephone company may make changes in its facilities, equipment, operations or procedures that could affect the proper operation of your equipment. If it does, you will be given advance notice to give you an opportunity to maintain uninterrupted service. If you experience trouble with this equipment's Modem/Fax Protection, please visit tripplite.com/support for repair/warranty information. The telephone company may ask you to disconnect this equipment from the network until the problem has been corrected or you are sure the equipment is not malfunctioning. There are no repairs that can be made by the customer to the Modem/Fax Protection. This equipment may not be used on coin service provided by the telephone company. Connection to party lines is subject to state tariffs. (Contact your state public utility commission or corporation commission for information.)

UPS and Battery Recycling



Pb

Please recycle Tripp Lite Products. The batteries used in Tripp Lite products are sealed Lead-Acid batteries. These batteries are highly recyclable. Please refer to your local codes for disposal requirements.

You can call Tripp Lite for recycling info at +1.773.869.1234.

You can go the Tripp Lite Website for up-to-date information on recycling the batteries or any Tripp Lite product. Please follow this link: tripplite.com/en/support/recycling-program.cfm

Tripp Lite has a policy of continuous improvement. Specifications are subject to change without notice. Photos and illustrations may differ slightly from actual products.



Manual del Propietario

SmartOnline®

UPS Monofásico en Línea para Instalación en Rack con Pantalla LCD Integrada para Monitoreo y Control

No es adecuado para aplicaciones móviles.

Modelos:

**SU5KRT3UHV, SU5KRT3UX, SU5KRT3UG, SU5KRT3UHW,
SU6KRT3UHV, SU6KRT3UX, SU6KRT3UG, SU6KRT3UHW**

(Número de Serie: AG-0358)

1. Descripción General	36	6. Operaciones	48
Lista de Partes	36	Pantalla de LCD y Controles del Panel Frontal	48
Opciones de Accesorios Adicionales	36	Indicadores LED del Panel Frontal	48
2. Instrucciones de Seguridad Importantes	36	Funciones de los Botones del Panel Frontal	49
3. Diagrama de Bloques del Circuito del UPS	39	Distribución de la Pantalla de Inicio	49
4. Instalación	40	Conexión Básica y Arranque	50
Rotación de Batería Interna	40	Opciones de Selección de Estrategia de Energía	53
Instalación en Rack	42	Opciones de Selección y Configuración del LCD del panel Frontal del UPS	55
Instalación en Torre	43	Configuración de los Módulos de Baterías Externas	58
Instalación Eléctrica Permanente de Entrada y Salida Instrucciones de Cableado (Opcional con Modelos Selectos)	44	7. Conexiones Opcionales	59
Vista General de Entrada y Salida de UPS	45	8. Solución de Problemas y Registro de Eventos	62
5. Características	45	9. Reemplazo de la Batería Interna	64
Controles del Panel Frontal,		10. Reemplazo del Ventilador	66
Grupo de LEDs y Pantalla LCD	45	11. Almacenamiento y Servicio	67
Características del Panel Posterior	46	12. Garantía	67
		English	1
		Français	69
		Русский	103

NOTA: Las opciones de módulos de baterías externas requieren configuración usando la interfaz de LCD del Panel frontal LCD o mediante el software de CONFIGURACIÓN DE BATERÍA EXTERNA de Tripp Lite.



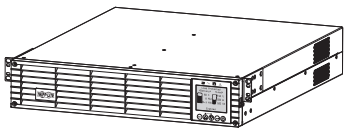
1111 W. 35th Street, Chicago, IL 60609 EE. UU. • tripplite.com/support

Copyright © 2020 Tripp Lite. Todos los derechos reservados. SmartOnline® es una marca registrada de Tripp Lite.
Para obtener las actualizaciones más recientes, visite tripplite.com

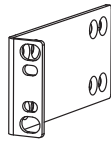
Descripción General

Los sistemas UPS SmartOnline para instalación en rack de Tripp Lite con interfaz LCD interactiva cuentan con protección de UPS en línea, de doble conversión, con salida permanente de onda sinusoidal y cero tiempo de transferencia, haciéndolos adecuados para todas las aplicaciones avanzadas de red. Cada UPS proporciona soporte de batería de Funcionamiento Prolongado con autonomía extendida opcional y capacidad de comunicaciones por Internet. Las interfaces incorporadas incluyen Micro-USB, serial RS-232, Apagado de Emergencia (EPO), encendido/apagado remoto (ROO) y un puerto de batería inteligente RJ-11. La pantalla LCD interactiva del panel frontal proporciona estado detallado del UPS, opciones de configuraciones predeterminadas y control. La eficiencia máxima opcional y las opciones de estrategia de energía auto-adaptable permiten la operación con alta eficiencia con consumo de energía y emisión de calor reducidos.

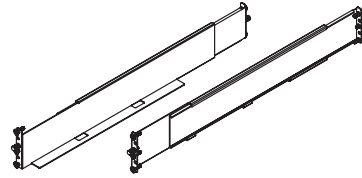
Lista de Partes



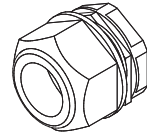
Sistema UPS



Orejas de Instalación Atornillables (2)



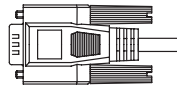
Juego de Riel para 4 Postes



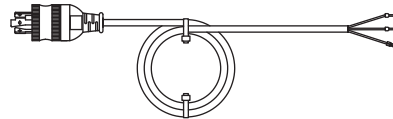
Relevadores de Esfuerzos para Instalación Eléctrica Permanente (2)



Cable USB (1)



Cable RS-232 (1)



(Modelos selectos) Cable de Alimentación de CA con Clavija L6-30P (1)



Manual del Propietario

Accesorios Opcionales (No Incluidos)

- 2POSTRMKITWM: Soporta UPS y módulos de baterías para instalación en rack en configuraciones para instalación en rack de 2 postes o instalación en pared
- 2-9USTAND: Soporta UPS y módulos de baterías para instalación en rack en configuración de torre vertical
- Módulo de Baterías Externas "SMART" BP192V12RT3US: Extiende la autonomía del sistema UPS

⚠ Instrucciones de Seguridad Importantes

CONSERVE ESTAS INSTRUCCIONES

Este manual contiene instrucciones y advertencias importantes que deben seguirse durante la instalación, operación, mantenimiento y almacenamiento de todos los Sistemas UPS y Baterías de Tripp Lite. Hacer caso omiso a estas advertencias puede afectar su garantía.

Explicación de los Símbolos



Precaución—riesgo de daño



Caliente—puede ocurrir sobrecalentamiento



Peligro de descarga eléctrica



Tierra física para protección



Conexión a tierra



Reciclable—contiene plomo



Instrucciones de Seguridad Importantes

Advertencias para la Ubicación del UPS

- Su UPS está destinado para usarse en un área interior con temperatura regulada que esté relativamente libre de contaminantes conductores. Instale su UPS en interiores, alejado de humedad o calor excesivos, contaminantes conductores, polvo o luz solar directa.
- La temperatura ambiente del cuerto debe estar entre 0 °C y 40 °C [32 °F y 104 °F].
- Deje suficiente espacio alrededor de todos los lados del UPS para una ventilación adecuada.
- El UPS proporciona la conveniencia de múltiples tomacorrientes, pero NO proporciona protección contra sobretensiones o ruido en la línea para los equipos conectados, cuando está en modo de derivación.
- No instale la unidad con su panel frontal o posterior bloqueado. Al instalarlo de esta manera inhibirá seriamente el enfriamiento interno de la unidad, causando un daño al producto que no está cubierto por la garantía.

Advertencias sobre la Instalación y Conexión del UPS

Todos los Modelos



PRECAUCIÓN: La instalación deberá llevarse a cabo solo por personal profesional de servicio eléctrico calificado.

- Instale conforme a los estándares de los códigos eléctricos locales. Asegúrese de usar para la instalación la protección adecuada contra sobrecorriente, de acuerdo con la especificación de la clavija o del equipo.
- Asegúrese de usar un breaker con una curva C corriente arriba.
- La protección contra sobrecorriente debe suministrarse en la aplicación de uso final, instalada de acuerdo con los reglamentos locales y nacionales de cableado eléctrico.
- La protección de respaldo por corto circuito y la protección contra sobrecorriente es proporcionada por la instalación del edificio, en la configuración de cableado permanente (Modos en Derivación y Económico).
- Instale a una altura que no exceda 1 m [3.3 pies].
- El equipo está diseñado para utilizarse en un sistema de distribución de energía TN-S.

Modelos Selectos Equipados con una Clavija L6-30P



PRECAUCIÓN: Para reducir el riesgo de incendio, conecte solamente a un circuito provisto con una protección contra sobrecorriente de circuito derivado de 30A de cuerto con el Código Eléctrico Nacional, ANSI/NFPA 70 y Código Eléctrico Canadiense, Parte I, C22.1.

- La clavija L6-30P de la red pública de CA sirve como dispositivo de desconexión. Los tomacorrientes eléctricos que alimentan al equipo deben instalarse cerca del equipo y ser fácilmente accesibles. Alternativamente, puede proporcionarse un desconector local.
- NO use la opción de alimentación de CA con instalación eléctrica permanente cuando se cuente con una clavija L6-30P. Hacerlo puede causar una situación catastrófica peligrosa.
- Cuando se usa la salida de CA con instalación eléctrica permanente, debe proporcionarse una protección adecuada contra sobrecorriente de salida.

Modelos Selectos de Cableado Eléctrico Permanente



PRECAUCIÓN: Para reducir el riesgo de incendio, conecte solamente a un circuito provisto con una protección contra sobrecorriente de circuito derivado de 20A de cuerto con el Código Eléctrico Nacional, ANSI/NFPA 70 y el Código Eléctrico Canadiense, Parte I, C22.1. Para detalles, consulte la tabla "Vista General de Entrada y Salida del UPS" en la sección de **Instalación**.

- Use únicamente conductores de cobre con Cables especificados para 105 °C. Para ver la configuración recomendada de entrada y salida, consulte la tabla "Vista General de Entrada y Salida del UPS" en la sección de **Instalación**.
- Para modelos equipados con una conexión de salida con instalación eléctrica permanente, se debe proporcionar protección contra sobrecorriente en la instalación de uso final. Use protección contra sobrecorriente especificada por ramal de salida que no exceda la especificación de salida del UPS. Al suministrar tomacorrientes con menor protección contra sobrecorriente especificada por ramal, la protección contra sobrecorriente debe coincidir con la especificación del tomacorrientes.
- En Europa, el breaker debe cumplir la norma IEC/EN 60934 y tener una abertura del contacto de al menos 3 mm.
- Cuando se usa la salida de CA con instalación eléctrica permanente, el instalador debe proporcionar una protección adecuada contra SOBRECORRIENTE de SALIDA. Asegúrese de usar breakers especificados por ramal que coincidan con la especificación de los tomacorrientes/equipo que se protegen. Use breaker(s) con una curva C.
- En el cableado fijo debe incorporarse un dispositivo de desconexión de dos polos adecuado y fácilmente accesible.
- En Europa, la conexión de la red pública de CA es L, N, PE (TIERRA FÍSICA). Asegúrese de enganchar L a la línea viva y N al conductor neutro.
- Nunca intente instalar equipos eléctricos durante una tormenta eléctrica.
- No intente usar este equipo si se daña cualquier parte.
- El equipo individual conectado al UPS no debe consumir más corriente que la de la especificación de cada tomacorriente individual.
- La carga total conectada al UPS no debe exceder la capacidad de carga máxima del UPS.
- No intente modificar el gabinete del UPS, las clavijas de entrada o los cables de alimentación.
- No intente usar el UPS si se daña cualquier parte.



Instrucciones de Seguridad Importantes

Advertencias en relación con la Conexión del Equipo

- No conecte supresores de sobretensiones o cables de extensión a la salida de su UPS. Esto puede dañar al UPS y afectar las garantías del supresor de sobretensiones y del UPS.
- La carga total conectada al UPS no debe exceder la capacidad de carga máxima de la placa de identificación.
- No se recomienda el uso de este equipo en aplicaciones de soporte de vida en donde razonablemente se pueda esperar que la falla de este equipo cause la falla del equipo de soporte de vida o afecte significativamente su seguridad o efectividad. No use este equipo en atmósferas enriquecidas con oxígeno o a distancias inferiores a 0.3 m (1 pie) de un punto en que se ventile deliberadamente una atmósfera enriquecida con oxígeno.

Advertencia para Reemplazar el Ventilador



Asegúrese de que el UPS esté desenergizado, es decir, apagado antes del reemplazo del ventilador. Si no lo hace, puede causar sobrecalentamiento y un apagado térmico.



PRECAUCIÓN: el circuito del ventilador no está aislado de la alimentación de CA. Apague el UPS antes de reemplazar el ventilador. El reemplazo del ventilador debe realizarlo personal de servicio eléctrico calificado.



Advertencias en relación con la Batería

- No hay partes dentro del UPS a las que el usuario pueda dar servicio.
- La rotación de la batería debe ser realizada por personal de servicio eléctrico calificado.
- El reemplazo de la batería debe realizarlo solo el personal de servicio autorizado.
- El Servicio a las baterías debe ser ejecutado o supervisado por personal con experiencia en las baterías y de las precauciones requeridas.
- Cuando reemplace baterías, utilice el mismo tipo y número de baterías o módulos de baterías.

PRECAUCIÓN: No deseche las baterías en el fuego. Las baterías pueden explotar.

PRECAUCIÓN: No abra ni mutile las baterías. El electrolito liberado es dañino para la piel y los ojos. Puede ser tóxico.

PRECAUCIÓN: Una batería puede presentar un riesgo de descarga eléctrica y alta corriente de cortocircuito. Hacer contacto con cualquier parte de una batería conectada a tierra puede causar una descarga eléctrica. Al trabajar con baterías deben observarse las siguientes precauciones:

- Retire relojes, anillos u otros objetos metálicos.
- Use herramientas con mangos aislados.
- Use botas y guantes de hule.
- No coloque herramientas o partes metálicas sobre la parte superior de las baterías.
- No ponga en corto o puentee las terminales de la batería con algún objeto.
- Elimine las conexiones a tierra de la batería durante la instalación y mantenimiento para reducir la probabilidad de descarga.
- Quite la conexión a tierra si se determina que cualquier parte de la batería debe estar conectada a tierra.



Advertencias para la batería externa

- Conecte el cable de conexión a tierra de la batería externa antes de conectar la batería externa al UPS.
- Para configuración de baterías externas, consulte la sección de Operaciones para ver las opciones y método de configuración. Los módulos de baterías SMART son detectados automáticamente por el UPS.
- Los fusibles deben ser reemplazados solamente por personal autorizado por la fábrica. Los fusibles de reemplazo deben ser de la misma especificación y tipo.
- Para autonomía extendida, use solamente módulos de baterías compatibles de Tripp Lite:
 - Módulo de Baterías Externas BP192V12RT3US



Instrucciones de Seguridad Importantes

Reemplazo y Reciclaje de la Batería



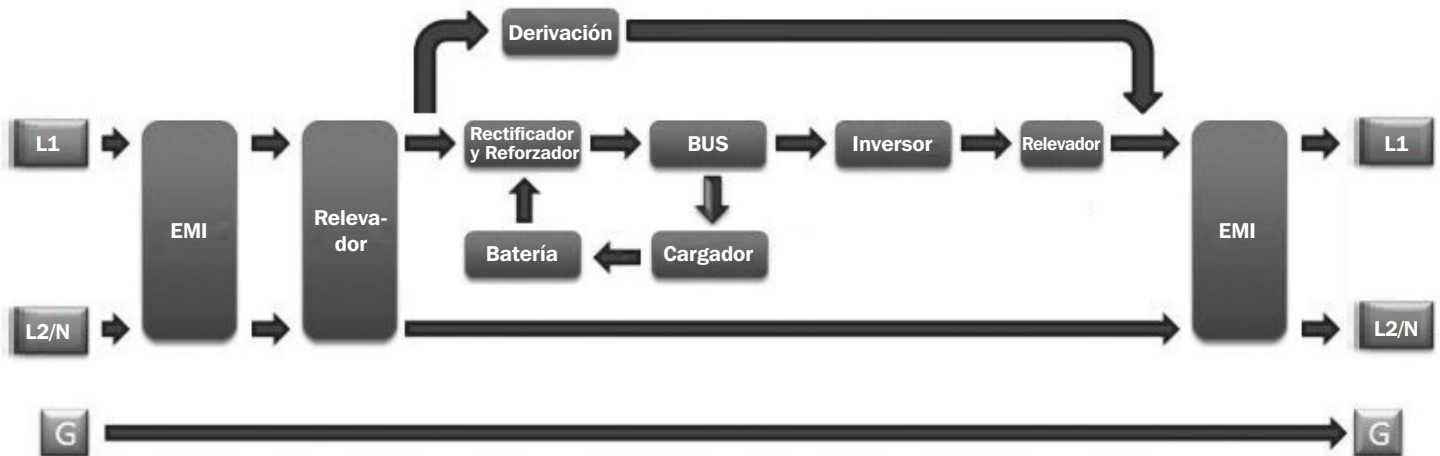
Los productos de Tripp Lite usan baterías selladas de plomo-ácido, que son altamente reciclables. Para los requisitos de desecho, consulte sus códigos locales, llame a Tripp Lite al 773.869.1234 o visite tripplite.com/support/recycling-program para obtener información adicional sobre el reciclaje de baterías o cualquier otro producto de Tripp Lite.

Tripp Lite ofrece una línea completa de Cartuchos de Batería de Repuesto (R.B.C.) para Sistemas UPS. Para localizar la batería de repuesto específica para su UPS, visite Tripp Lite en el sitio tripplite.com/products/battery-finder.

Advertencias para Mantenimiento

- Su UPS no contiene partes a las que el usuario pueda dar servicio. No lo desensamble.

Diagrama de Bloques del Circuito del UPS



Instalación

Rotación de Batería Interna

Su UPS se embarca con las baterías desconectadas y en orientación inversa. Antes de instalar el UPS en su rack de 4 postes o 2 postes, retire primero las bandejas de baterías y colóquelas a un lado. Para retirar las baterías del UPS, siga las instrucciones siguientes.



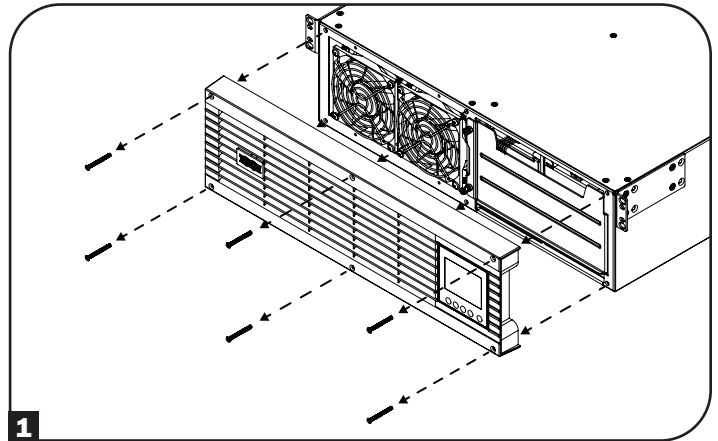
Si se va a usar un módulo de baterías externas, debe instalarse primero en la parte inferior del rack. Asegúrese de seguir las instrucciones para Configuración de los Módulos de Baterías Externas en este manual y en el Manual del Propietario del BP192V12RT3US antes de proceder con la instalación del UPS.



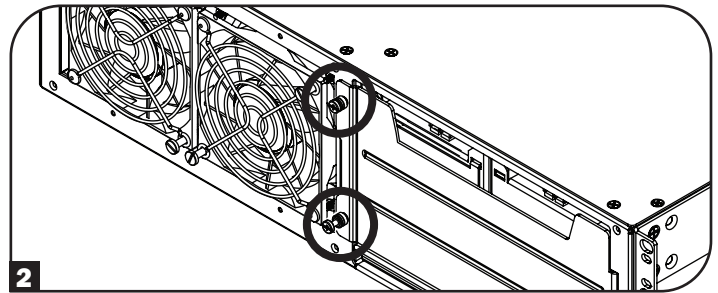
¡ADVERTENCIA! La rotación de la batería debe ser realizada por personal de servicio eléctrico calificado.

- 1** Retire los seis tornillos frontales del bisel frontal, después retraiga el bisel del UPS. Cuelgue el bisel en el gancho disponible.

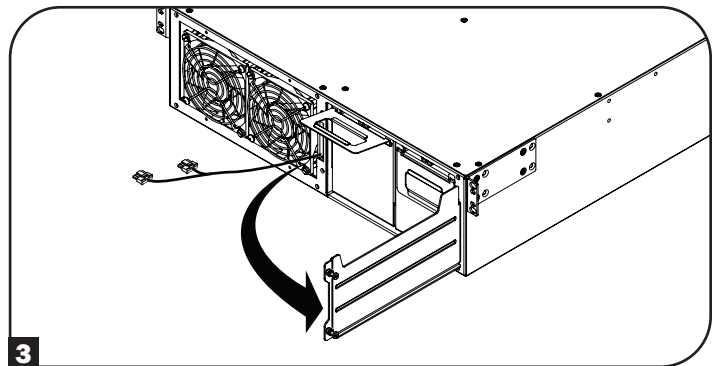
Nota: La pantalla del panel frontal tiene un cable plano acoplado que se extiende desde el UPS al bisel frontal. Asegúrese de mantener este cable fuera del paso al abrir y cerrar la puerta de la batería o use un desatornillador para desconectar la pantalla del bisel.



- 2** Afloje los dos tornillos prisioneros que aseguran la puerta de la batería.

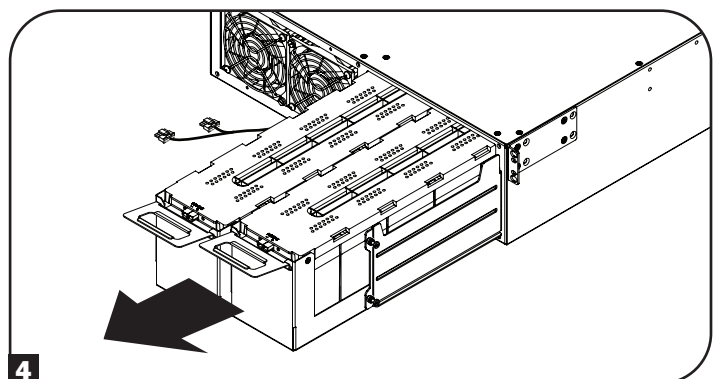


- 3** Abra la puerta de la batería. Asegúrese de que el cable de comunicación de la batería inteligente esté fuera del paso con seguridad al abrir la puerta de la batería y al retirar las bandejas de baterías.



- 4** Usando las manijas acopladas a cada bandeja, retire las bandejas del módulo de baterías. Asegúrese de retirar las manijas antes de rotar las baterías (ver paso siguiente) e instale las manijas en el lado opuesto.

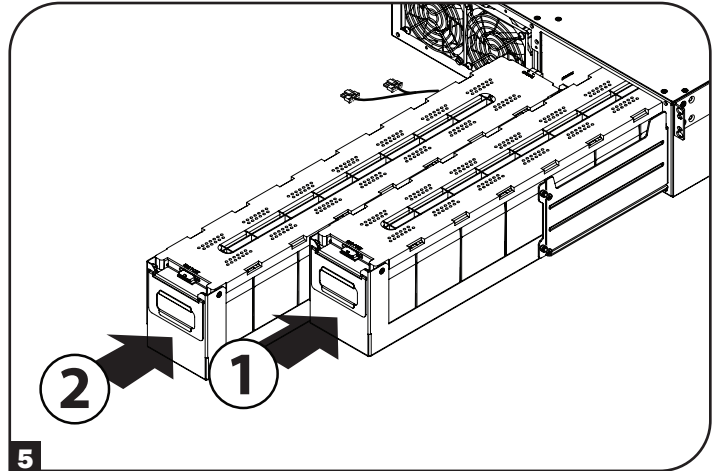
Nota: Para reducir el peso de la unidad UPS durante la instalación, se le recomienda proceder a la instalación en 4 postes o instrucciones de instalación en 2 postes en la sección de **Instalación en Rack** antes de girar, reinstalar y conectar las bandejas del módulo de baterías.



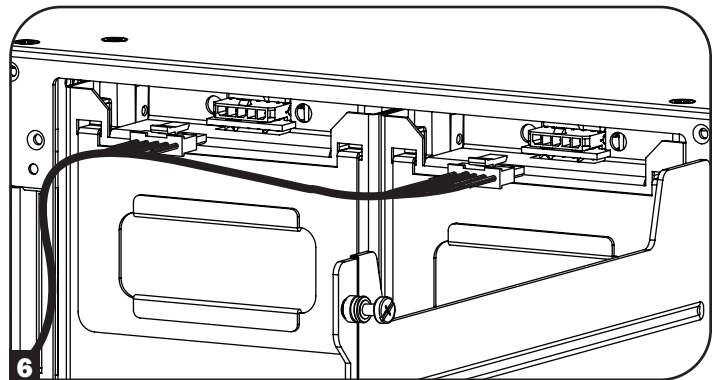
Instalación

- 5** Cada bandeja de batería usa un conector blindmate de CD. Coloque cada bandeja de baterías de modo que el extremo del conector rojo y negro de CD esté orientado hacia la parte posterior del UPS y el puerto de comunicación esté orientado hacia el frente del UPS. Comenzando con la bandeja de baterías del lado derecho, inserte la bandeja del módulo de baterías, asegurándose de que sobresale ligeramente del UPS. Repita para la bandeja de baterías del lado izquierdo.

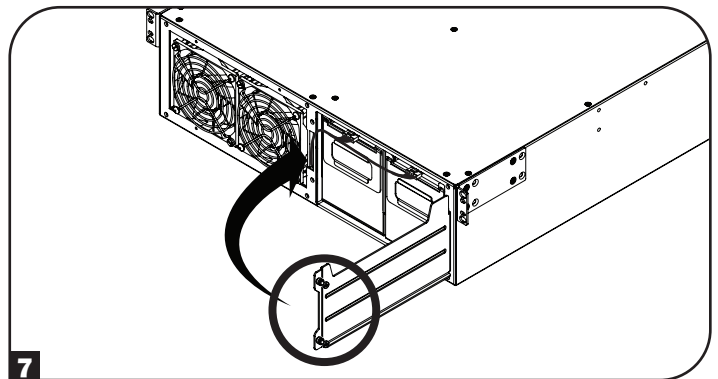
Nota: Para un mejor acceso al conector, conecte los cables antes de que los módulos de baterías estén completamente insertados en el UPS.



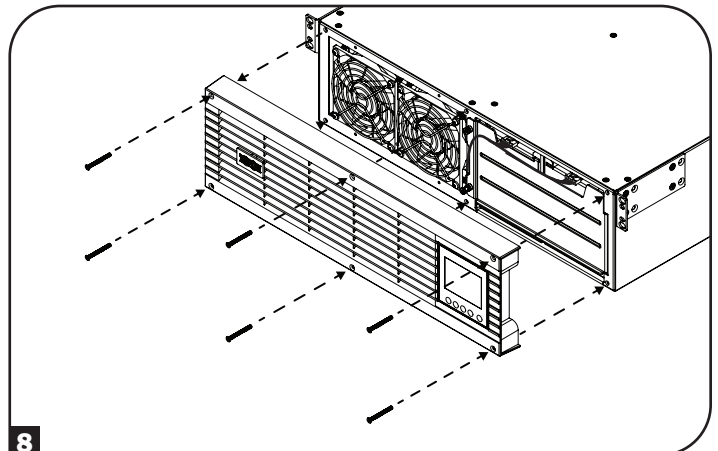
- 6** Conecte el cable de comunicación de la batería a cada bandeja de baterías y empuje las bandejas de la batería completamente en el UPS.



- 7** Cierre la puerta de la batería y asegúrela apretando los tornillos prisioneros.



- 8** Reinstale el bisel frontal al UPS y asegúrelo con los tornillos retirados en el paso 1.



Instalación

Instalación en Rack

Instale su equipo en un rack o gabinete de 4 postes o de 2 postes. Antes de la instalación, el usuario debe determinar la conveniencia de los accesorios y procedimientos. Si los accesorios y procedimientos no son adecuados para su aplicación, póngase en contacto con el fabricante de su rack o gabinete. Los procedimientos descritos en este manual son para tipos comunes de racks y gabinetes y pueden no ser apropiados para todas las aplicaciones.

PRECAUCIÓN: El equipo debe instalarse en los rieles del rack a una altura <1 m [36"].



Si se va a usar un módulo de baterías externas, debe instalarse primero en la parte inferior del rack. Asegúrese de seguir las instrucciones para **Configuración de los Módulos de Baterías Externas** en este manual y en el **Manual del Propietario del BP192V12RT3US** antes de proceder con la instalación del UPS.

Instalación en 4 Postes

- 1** Las espigas de plástico incluidas **A** soportarán temporalmente los entrepaños vacíos **B** para instalación en rack mientras instala los accesorios de instalación permanentes. Inserte una espiga en el tercer orificio de la parte superior en el frente de cada soporte. En el extremo posterior, inserte una espiga en el orificio central. (Cada soporte frontal tiene 6 orificios y cada soporte posterior tiene 5 orificios). Las espigas calzarán en su lugar.

Después de instalar las espigas, amplíe cada entrepaño para hacer coincidir la profundidad de los rieles de su rack. Las espigas ajustarán a través de los orificios cuadrados en los rieles del rack para soportar los entrepaños. Consulte las etiquetas en la unidad de rack para confirmar que los entrepaños estén nivelados en todas direcciones.

Nota: el borde de apoyo de cada entrepaño debe apuntar hacia adentro.

- 2** Retire las espigas en el extremo frontal de cada soporte. Asegure permanentemente los entrepaños **B** a los rieles de instalación usando los tornillos y las arandelas de copa **C** incluidos como se muestra. Coloque 2 tornillos en el frente de cada riel (4 en total) y 2 tornillos en la parte posterior de cada riel (4 en total). Apriete todos los tornillos antes de continuar.

Nota: Las espigas posteriores pueden dejarse para instalación, pero las delanteras deben retirarse antes de que el soporte esté asegurado por tornillos.

¡ADVERTENCIA!

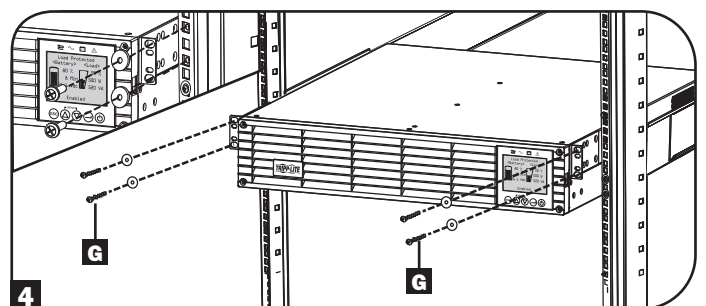
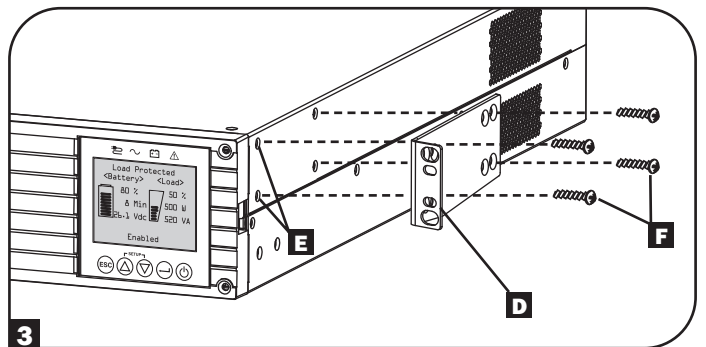
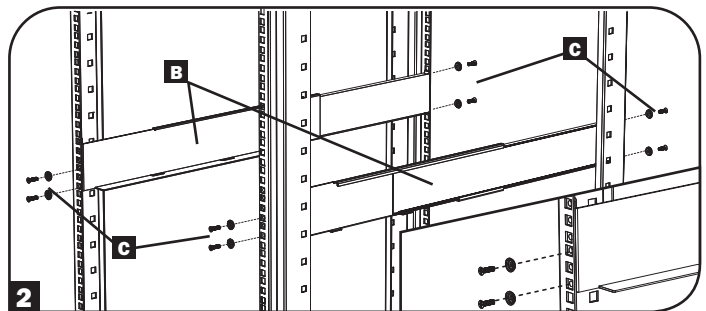
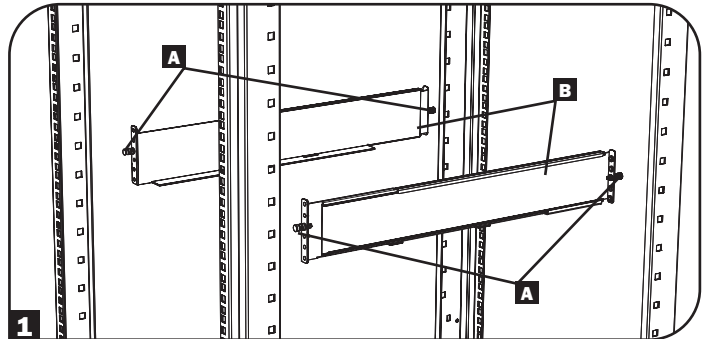
No intente instalar su UPS hasta que haya insertado y apretado los tornillos requeridos. Las espigas de plástico no soportarán el peso de su UPS.

- 3** Instale los soportes **D** de instalación de su UPS en los orificios **E** de instalación delanteros del UPS usando los accesorios **F** incluidos. Las "orejas" del soporte de instalación deben apuntar al frente.

Nota: Se le recomienda retirar las baterías internas del UPS antes de la instalación. Al hacerlo, se eliminará el exceso de peso y la manipulación será más segura.

- 4** Con la ayuda de un asistente, levante su UPS y deslícelo en los entrepaños. Coloque las orejas de instalación del UPS en los rieles de instalación frontales con los tornillos y arandelas suministrados por el usuario **G**. Apriete con firmeza todos los tornillos.

Nota: Para instalar bandejas de módulos de baterías dentro del UPS, refiérase a las instrucciones 5-8 en la sección de **Rotación de las Baterías Internas**.



Instalación

Instalación en 2 Postes

Si instala modelos de UPS de 2U en racks de 2 postes, estos requieren la adición de un Juego de Instalación para Rack de 2 Postes de Tripp Lite (modelo: 2POSTRMKITWM, vendido por separado). Para el procedimiento de instalación, consulte el manual del propietario del juego de instalación.

Instalación en Torre

Su UPS puede instalarse en una posición de torre vertical con los soportes de base opcionales vendidos por separado por Tripp Lite (modelo: 2-9USTAND). Al instalar el UPS en soportes de base ajustables, asegúrese de que el panel LCD esté orientado hacia la parte superior.

¡ADVERTENCIA!

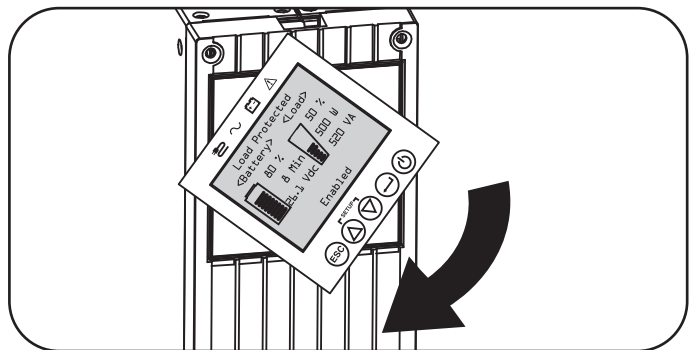
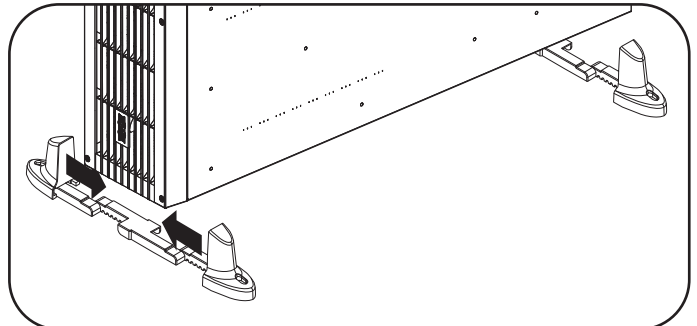


Todos los sistemas UPS son extremadamente pesados. Tenga cuidado al levantarlos e instalarlos. El usuario debe estabilizar adecuadamente el UPS al levantarlo e instalarlo.

El panel LCD puede girarse para una mejor visualización mientras el UPS está vertical. Para girar, inserte un pequeño destornillador u otra herramienta de borde plano en las ranuras en cualquier lado del panel LCD. Retire el panel, gírelo en consecuencia y vuelva a colocarlo en su lugar.



ADVERTENCIA: Los circuitos de la pantalla no están aislados. La rotación de la pantalla debe ser realizada por personal de servicio eléctrico calificado.



NOTA SOBRE LA CONFIGURACIÓN DE LA BATERÍA EXTERNA

Si van a usarse módulos de baterías externas con este UPS, instélos conforme a la documentación para la instalación que se incluye con cada módulo de baterías.

Estos sistemas UPS SmartOnline soportan la detección automática de hasta cuatro módulos de baterías SMART compatibles de Tripp Lite. Cada módulo de baterías SMART incluye una conexión de datos cableada que permite la detección y configuración automática de hasta cuatro módulos de baterías externas SMART al UPS. Si se necesitan configurar más de cuatro módulos de baterías externas, todos los módulos deben configurarse mediante el software de configuración de baterías externas de Tripp Lite que se conecta mediante el puerto serial del UPS. En esta configuración, no conecte los cables de comunicación de la batería Smart a ninguno de los módulos de baterías externas.

Instalación

Instrucciones de cableado de entrada y salida con instalación eléctrica permanente (opcional con modelos selectos)

Nota: El apriete es 1 N • m [10 lb • pulgada].

PRECAUCIÓN: Este tipo de conexión debe ser realizado solamente por personal profesional de servicio eléctrico calificado. Al hacer conexiones, compruebe que la energía de la red pública al UPS esté APAGADA. Conecte los cables de conexión a tierra de los cables a la terminal de conexión a tierra del chasis. Conecte siempre primero el cable de conexión a tierra.

Asegúrese de observar la configuración de la línea de entrada, breaker y AWG de alambre como se detalla en la tabla de **Descripción General de Entrada y Salida del UPS**, detallada en esta sección.

Nota: Modelos selectos incluyen un cable de alimentación de CA con clavija L6-30P. Si se va a usar este cable de CA, cambiarán las especificaciones de capacidad de potencia de entrada/salida del UPS. Para más información, consulte la placa de identificación del UPS.

1. Retire la tapa de acceso ubicada en el lado derecho de los recortes para entrada/salida con instalación eléctrica permanente (mostrada abajo), para acceder al bloque de terminales.

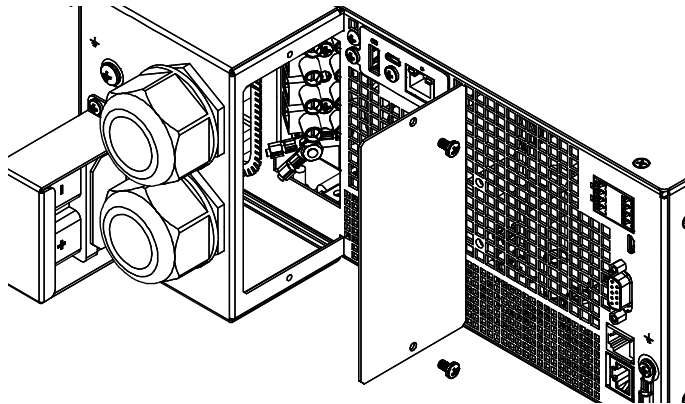
Nota: Puede encontrarse una etiqueta que describe las conexiones de la terminal en la parte posterior de la tapa de acceso.

2. Retire los recortes de tamaños apropiado para las conexiones de instalación eléctrica permanente de entrada y salida.
3. Instale y asegure los conectores de liberación de la tensión incluidos o suministrados por el usuario al gabinete para instalación eléctrica permanente.
4. Pase el cable a través de la liberación de tensión.

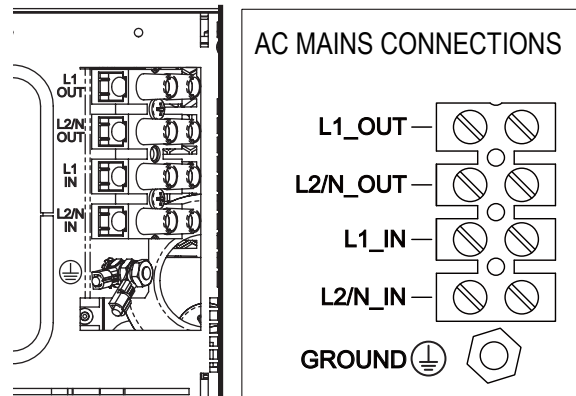
Nota: La liberación de tensión de salida está en la parte superior y la liberación de tensión de entrada está en la parte inferior.

5. Instale cada cable en el bloque de terminales, como se indica a continuación. (Consulte la nota siguiente con respecto a las especificaciones de apriete).
6. Apriete la liberación de tensión.

Instalación eléctrica permanente de entrada/salida con liberación de la tensión



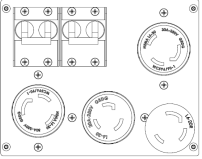
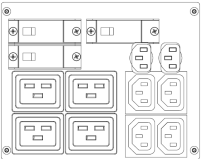
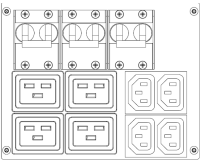
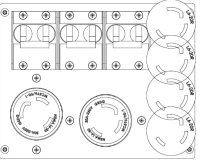
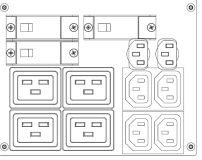
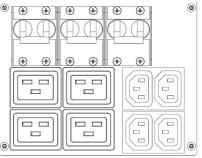
Terminales de Entrada y Salida



Nota: El apriete es 1 N • m [10 lb • pulgada]. La zapata de conexión a tierra incluida necesita agregarse al borne de conexión a tierra como se muestra. El cable de conexión a tierra para el equipo debe ajustarse al borne #8 con un diámetro externo de 8.71 mm y un diámetro interno de 4.3 mm.

Instalación

Vista General de Entrada y Salida de UPS

Nombre del Modelo	Conexión de Entrada	Configuración de Línea de Entrada	Curva C del Breaker del Edificio	Calibre AWG de Entrada (mm ²)	Configuración de Placa de Tomacorrientes
SU5KRT3UHV	Instalación Eléctrica Permanente	L1, L2/N, PE(TIERRA FÍSICA)	40	8 (6)	
	L6-30P	L1, L2/N, PE(TIERRA FÍSICA)	30	10 (4)	
SU5KRT3UX	Instalación Eléctrica Permanente	L, N, PE(TIERRA FÍSICA)	40	8 (6)	
SU5KRT3UG	Instalación Eléctrica Permanente	L1, L2/N, PE(TIERRA FÍSICA)	40	8 (6)	
SU5KRT3UHW	Instalación Eléctrica Permanente	L1, L2/N, PE(TIERRA FÍSICA)	40	8 (6)	Ninguno
SU6KRT3UHV	Instalación Eléctrica Permanente	L1, L2/N, PE(TIERRA FÍSICA)	50	6 (10)	
	L6-30P	L1, L2/N, PE(TIERRA FÍSICA)	30	10 (4)	
SU6KRT3UX	Instalación Eléctrica Permanente	L, N, PE	50	6 (10)	
SU6KRT3UG	Instalación Eléctrica Permanente	L1, L2/N, PE(TIERRA FÍSICA)	50	6 (10)	
SU6KRT3UHW	Instalación Eléctrica Permanente	L1, L2/N, PE(TIERRA FÍSICA)	50	6 (10)	Ninguno

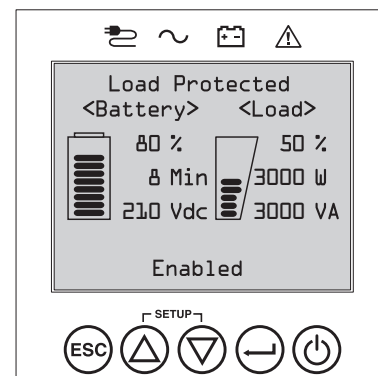
Características

Antes de instalar y operar su UPS, familiarícese con las ubicaciones y función de las características de cada componente.

Controles del Panel Frontal, Grupo de LEDs y Pantalla LCD

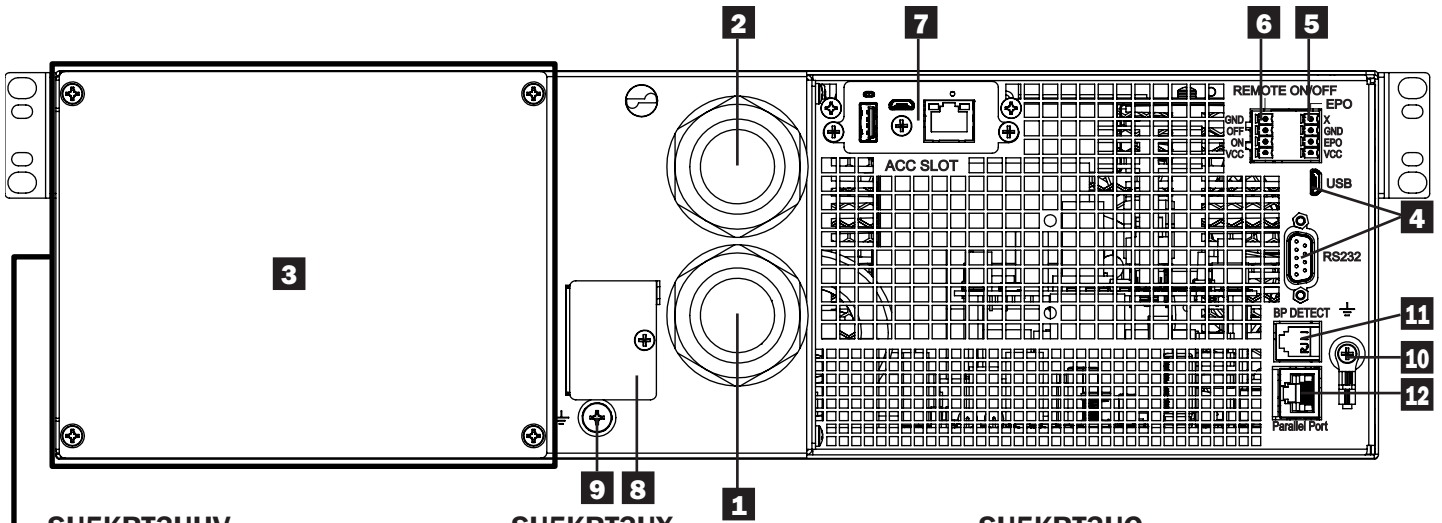
El LCD gráfico en el panel frontal contiene una amplia gama de condiciones de operación y datos de diagnóstico del UPS. Muestra además las configuraciones y opciones del UPS cuando se visualizan las pantallas de configuraciones del UPS. Los cinco botones debajo del LCD pueden usarse para navegar en las diversas pantallas de información, configuración y control del UPS siguiendo las indicaciones y opciones de selección en la pantalla. Los indicadores LED adicionales arriba de la pantalla LCD proporcionan también en una ojeada el estado de la fuente de entrada de CA, disponibilidad de salida, estado de la batería y estado de advertencia/falla.

Para descripciones detalladas de funciones del LCD, botones y LEDs, consulte la sección de **Operaciones**.

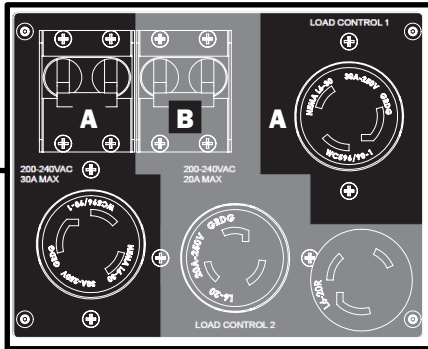


Características

Características del Panel Posterior

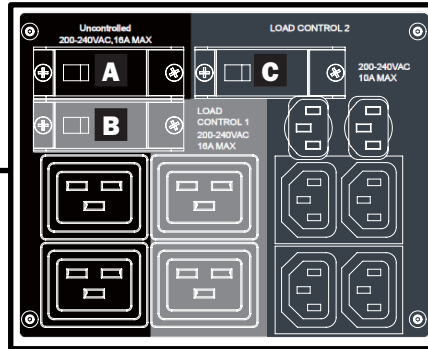


SU5KRT3UHV



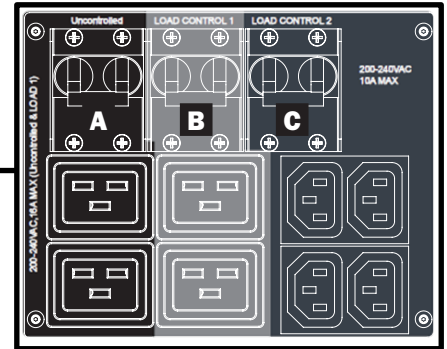
Banco de Carga	Tomacorrientes	Breaker
A	2x L6-30R	1x 2 Polos (30A)
B	2x L6-20R	1x 2 Polos (20A)

SU5KRT3UX



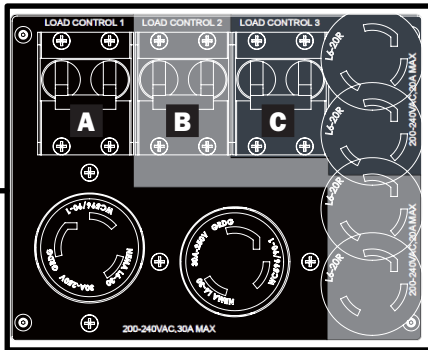
Banco de Carga	Tomacorrientes	Breaker
A*	2x C19	1x 1 polo (16A)
B	2x C19	1x 1 polo (16A)
C	6x C13	1x 1 polo (10A)

SU5KRT3UG



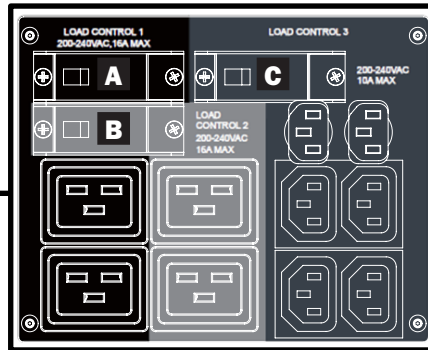
Banco de Carga	Tomacorrientes	Breaker
A*	2x C19	1x 2 polos (16A)
B	2x C19	1x 2 polos (16A)
C	4x C13	1x 2 polos (10A)

SU6KRT3UHV



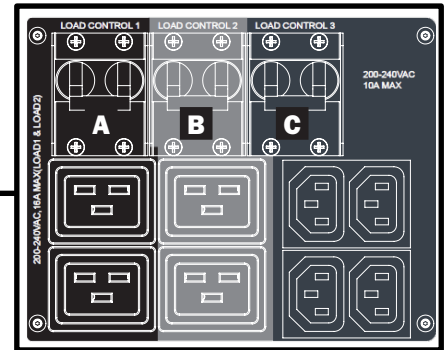
Banco de Carga	Tomacorrientes	Breaker
A	2x L6-30R	1x 2 Polos (30A)
B	2x L6-20R	1x 2 Polos (20A)
C	2x L6-20R	1x 2 Polos (20A)

SU6KRT3UX



Banco de Carga	Tomacorrientes	Breaker
A	2x C19	1x 1 polo (16A)
B	2x C19	1x 1 polo (16A)
C	6x C13	1x 1 polo (10A)

SU6KRT3UG



Banco de Carga	Tomacorrientes	Breaker
A	2x C19	1x 2 polos (16A)
B	2x C19	1x 2 polos (16A)
C	4x C13	1x 2 polos (10A)

*Banco de Carga No Controlado

Características

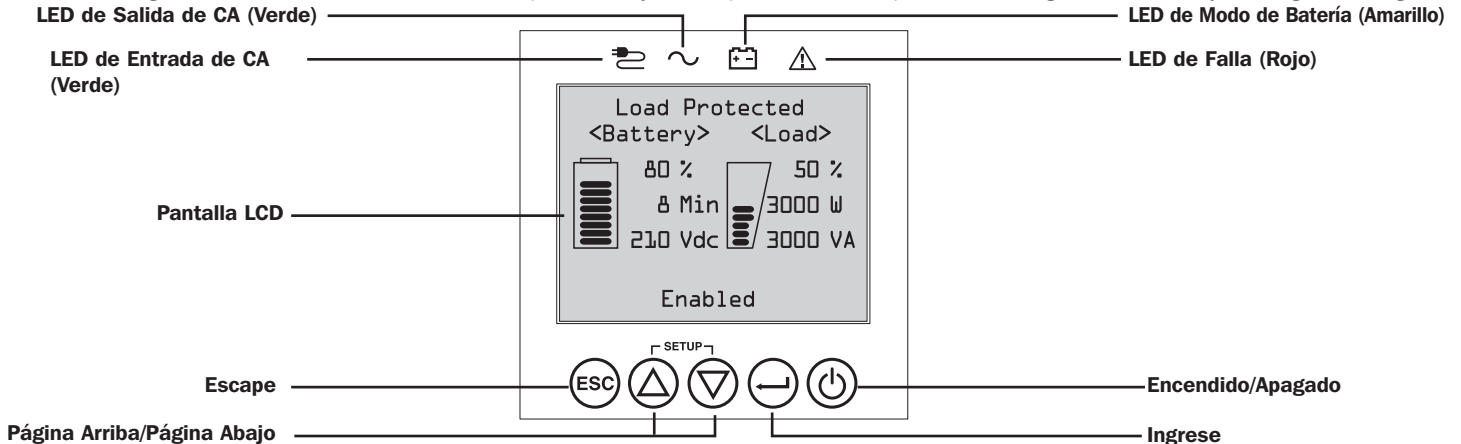
- 1 Conexión de Entrada de CA (varía por modelo):** Este se conecta a la alimentación de CA mediante un cable de alimentación conectado o conexión de instalación eléctrica permanente.
Nota: Los modelos SU5KRT3UHV y SU6KRT3UHV incluyen un cable de alimentación opcional.
- 2 Conexión de salida con instalación eléctrica permanente de CA (opcional en modelos selectos):** Esta se conecta a una carga de CA mediante conexión con instalación eléctrica permanente (para más información, consulte **Instrucciones de Cableado de Salida con Instalación Eléctrica Permanente**).
Nota: La carga total conectada al UPS no debe exceder la capacidad de carga máxima de la placa de identificación.
- 3 Tomacorrientes de CA (varía por modelo):** Estos tomacorrientes alimentan a su equipo conectado con una salida de CA de onda sinusoidal pura durante la operación normal y energía de batería durante apagones y caídas de voltaje serias. Los tomacorrientes están divididos en bancos de carga, como se describe en la unidad. Mediante el uso del Software PowerAlert y cableado, los bancos de carga pueden apagarse y encenderse individualmente desde una ubicación remota, permitiendo a los usuarios restaurar o reiniciar el equipo conectado.
Nota: La carga total conectada al UPS no debe exceder la capacidad de carga máxima de la placa de identificación.
- 4 Puertos de Comunicaciones:** Estos puertos (USB o RS-232) conectan su UPS a cualquier estación de trabajo o servidor. Use con el software PowerAlert de Tripp Lite y el cable incluido para habilitar su computadora para guardar automáticamente los archivos abiertos y apague el equipo durante un apagón. Use también el Software PowerAlert para monitorear una amplia variedad de condiciones de la línea CA y de operación del UPS. Para más información, consulte su manual del Software PowerAlert o póngase en contacto con Soporte al Cliente de Tripp Lite. El puerto RS-232 de 9 terminales permite además comunicaciones de contacto seco. Para instrucciones de instalación, consulte **Comunicaciones de Contacto Seco USB y RS-232** en la sección **Conexiones Opcionales**.
- 5 Puerto EPO (Apagado de Emergencia):** Su UPS cuenta con un puerto que puede usarse para conectar el UPS a un switch de cierre de contacto para activar el apagado de emergencia de su UPS. Asegúrese de usar los pines etiquetados para EPO en el bloque de terminales derecho. Para detalles, consulte la sección **Conexiones Opcionales**.
- 6 Encendido/Apagado Remoto:** El UPS incluye un puerto que puede usarse para conectar el UPS a un switch de cierre de contactos para apagar el UPS en forma remota. Asegúrese de usar el bloque de terminales en el lado izquierdo etiquetado para conexión remota de encendido/apagado. Para detalles, consulte la sección **Conexiones Opcionales**.
- 7 Ranura Auxiliar:** Retire el panel pequeño de la cubierta de esta ranura para usar accesorios opcionales para monitorear y controlar su UPS en forma remota. Visite tripplite.com para ver una lista completa de accesorios, así como una amplia variedad de productos para administración de redes y conectividad.
- 8 Conector del Módulo de baterías externas:** Su UPS cuenta con un robusto sistema de baterías internas. Al agregar baterías externas aumentará la autonomía y el tiempo de recarga. Para instrucciones de configuración, consulte **Accesorios Adicionales (Opcionales)** en la sección **Descripción General** para modelos compatibles y la sección **Configuración de Módulos de Baterías Externas** bajo la sección de **Operaciones**.
Nota: No conecte ni desconecte los módulos de baterías cuando el UPS esté funcionando con energía de la batería.
- 9 Borne de Conexión a Tierra de CD:** Úselo para crear una conexión a tierra entre el UPS y un módulo de baterías externas conectado.
- 10 Borne de Conexión a Tierra del Bastidor:** Úselo para conectar cualquier equipo que requiera una conexión de tierra al bastidor.
- 11 Puerto de Detección de módulo de baterías externas:** Para baterías externas con comunicación incorporada, conectar el cable de comunicación de la batería en este puerto permitirá al UPS detectar automáticamente módulos de baterías SMART. Para instrucciones de configuración, consulte **Configuración de Módulos de Baterías Externas** en la sección de **Operaciones**.
- 12 Puerto en paralelo:** Reservado para uso futuro.

Operaciones

Esta sección explica cómo usar su Sistema UPS en Línea de Tripp Lite, como la operación del LCD en el panel frontal, modos de operación, arranque y paro del UPS, transferencia entre modos, configuración de estrategia de energía y configuración de parámetros de derivación, segmentos de carga y parámetros de la batería.

Pantalla de LCD y Controles del Panel Frontal

Una pantalla LCD gráfica de 5 botones con indicadores LED adicionales en el frente del UPS proporciona información sobre el estado del UPS, información del nivel de carga, información de eventos, mediciones, parámetros y una amplia variedad de opciones de configuración del UPS y estrategia de energía.



Indicadores LED del Panel Frontal

Hay 4 LEDs arriba de la pantalla LCD del panel frontal que ofrecen información sobre estado de ALIMENTACIÓN DE CA, DERIVACIÓN, SALIDA DE CA, MODO DE BATERÍA y FALLA DE UPS.

Indicador de ALIMENTACIÓN DE CA	
Encendido	La entrada de CA está disponible Y la entrada de CA está DENTRO del rango de modo ECONÓMICO / DERIVACIÓN configurado. Cuando este LED está ENCENDIDO PERMANENTE, la entrada de CA es de calidad adecuada para la operación el UPS en MODO ECONÓMICO o DERIVACIÓN.
Destellando	La entrada de CA está disponible Y la entrada de CA está FUERA del rango del modo DERIVACIÓN. Cuando este LED está ENCENDIDO DESTELLANDO, la entrada de CA no es de voltaje o frecuencia adecuados para la operación el UPS en MODO de DERIVACIÓN o ECONÓMICO.
Apagado	La entrada de CA NO está disponible. Cuando este LED está apagado, la entrada de CA NO está disponible.
Indicador de SALIDA DE CA	
Encendido	La salida de CA del UPS está activa Está disponible la salida del UPS en los tomacorrientes de salida del UPS.
Apagado	La salida de CA del UPS está inactiva La salida de CA del UPS no está disponible.
Indicador de MODO DE BATERÍA	
Encendido	El UPS está funcionando en modo de batería Las baterías del UPS se están descargando y el UPS funciona en modo de batería. Además se enciende momentáneamente durante la operación de autodiagnóstico.
Destellando	El UPS está funcionando en modo de batería - Advertencia de batería baja Las baterías del UPS se están descargando y el UPS funciona en modo de BATERÍA y están llegando a nivel bajo. El indicador destellará en intervalos de 2 segundos para indicar BATERÍA BAJA y en intervalos de 0.5 segundos para indicar que las BATERÍAS ESTÁN CASI TOTALMENTE DESCARGADAS y el UPS está por apagarse.
Indicador de FALLA DEL UPS	
Encendido	El UPS está experimentando un estado de falla predeterminada Para explicación del estado o información del código del error, vea la pantalla del panel frontal. Vea las instrucciones y Manual en pantalla para consejos de solución de problemas.
Apagado	Normal El UPS no está reportando condiciones de falla cuando este indicador está apagado.

Operaciones

Funciones de los Botones del Panel Frontal

Hay 5 botones en el panel frontal que ofrecen opciones de control y configuración del UPS. Use los 5 botones de interfaz del panel frontal y siga las indicaciones y opciones de selección en pantalla para navegar en las diversas pantallas de información, configuración y control del UPS.



Botón de Encendido / Apagado: Este control ofrece tres funciones principales: Encendido, Apagado y Borrado de Falla del UPS.

Para encender el UPS en un modo de operación protegido, oprima y sostenga este botón durante 3 segundos cuando el UPS esté conectado a una alimentación de CA. Suelte el botón cuando la alarma empiece a sonar y el UPS arrancará en la última estrategia de energía configurada.

Para "Arranque en Frío" del UPS en modo de batería durante condiciones de falla del suministro eléctrico, oprima y sostenga este botón durante 3 segundos. Suelte el botón cuando la alarma empiece a sonar y el UPS arrancará en modo de batería.

Para apagar el UPS mientras esté funcionando en modo de batería o protegido, oprima y sostenga este botón durante 3 segundos. Suelte el botón cuando la alarma empiece a sonar. El UPS apagará la salida de CA. Una vez que la salida de CA esté apagada, desconecte la energía de alimentación al UPS y este se desenergizará completamente.

Para BORRAR LA FALLA DEL UPS, mantenga oprimido este botón durante 3 segundos como se indicó en pantalla. El UPS borrará las condiciones de falla y regresará al modo en espera o en derivación.



Botón ENTER: Este control se usa para hacer selecciones, confirmar opciones y desplazarse a la siguiente selección cuando el UPS es configurado en el modo de configuración. Oprima este botón como se indica en pantalla en modo de Configuración para Ingresar, Confirmar o Desplazarse en el proceso de configuración.



Botones ARRIBA / ABAJO: Estos controles ofrecen dos funciones principales: Control direccional "Arriba" y "Abajo", además ingresar / salir del modo de configuración (al oprimirlos simultáneamente). Estos botones se usan para navegar las opciones del menú de modo de configuración y cambiar arriba o abajo para ver los contenidos de la pantalla como se necesite.



Para INGRESAR o SALIR del MODO DE CONFIGURACIÓN DEL UPS, oprima estos dos botones simultáneamente durante 3 segundos. Suelte los botones cuando la alarma empiece a sonar. El UPS ingresará automáticamente al modo de configuración si se oprime ambos botones durante los modos de la pantalla LCD.

El UPS saldrá automáticamente del modo de configuración si se oprime ambos botones mientras el UPS funciona en modo de configuración.



Botón ESCAPE: Este control ofrece tres funciones principales: Cancelación de Alarma, Borrar Falla y operaciones de Regresar / Cancelar.

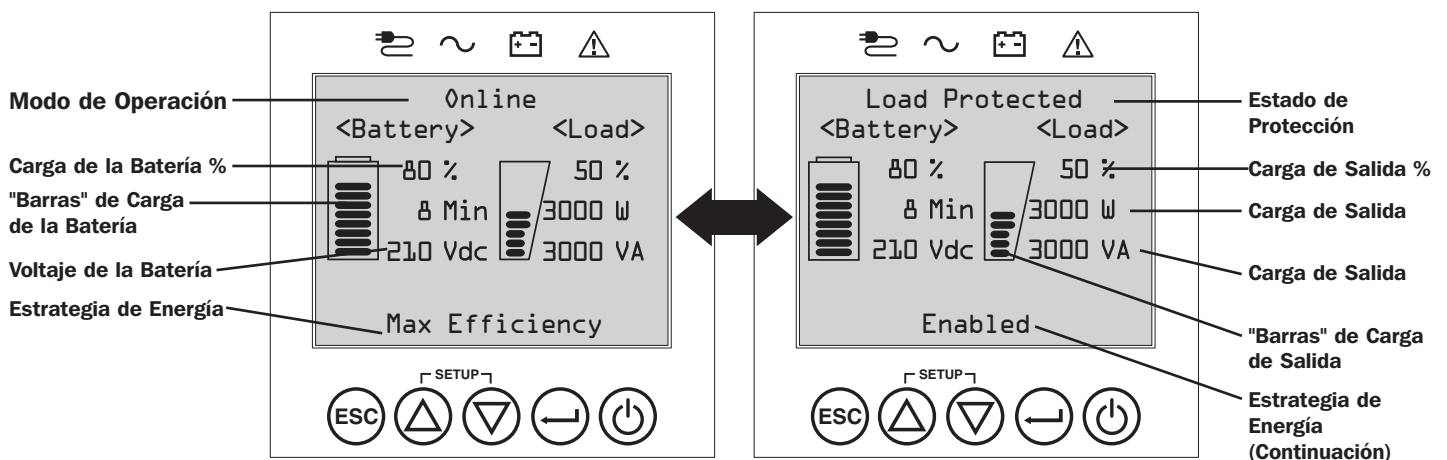
Para CANCELAR la ALARMA DEL UPS, oprima este botón. Si ocurre una nueva condición de alarma, la alarma sonará nuevamente.

Para CANCELAR o REGRESAR UN NIVEL, oprima este botón como se indica en pantalla en los modos de Navegación y Configuración.

Distribución de la Pantalla de Inicio

La pantalla LCD del panel frontal del UPS está configurada para proporcionar información continua de operación del UPS usando pantallas de inicio de MODO NORMAL y MODO DE BATERÍA que reportan continuamente el modo de operación, estado de protección, estrategia de energía y un número de parámetros de operación de batería y nivel de carga.

Pantalla de Inicio de Modo Normal

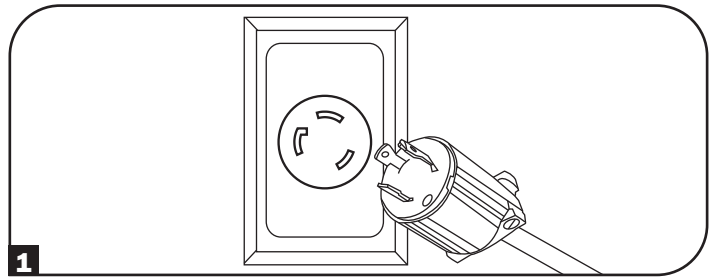


Operaciones

Conexión Básica y Arranque

1 Conecte su UPS al servicio eléctrico

Su UPS debe estar conectado a un circuito dedicado con suficiente capacidad en amperes. Los modelos L6-30 requieren un breaker de instalación de 30A. Para modelos con instalación eléctrica permanente, para obtener detalles refiérase a la sección de **Instalación, Tabla de Descripción General de Entrada y Salida del UPS** y especificación en el UPS.

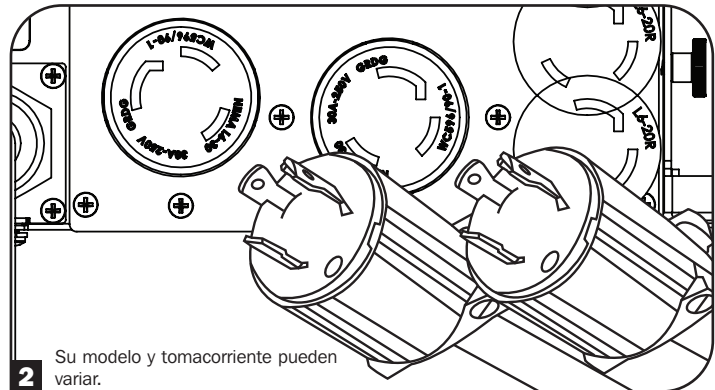


2 Enchufe su equipo en el UPS


Cuando se aplique energía de alimentación, el UPS irá al modo en espera y las baterías se cargarán.

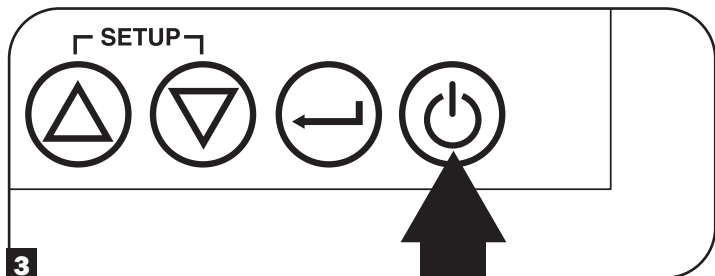
Su UPS está diseñado para soportar solamente equipo de red, servidor y cómputo.

Nota: Si se va a controlar la carga del equipo, asegúrese de enchufar el equipo en un banco controlado por carga.





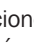
3 Encienda su UPS

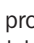

Oprima y sostenga el botón "POWER" [Encendido]  por 3 segundos y suéltelo cuando la alarma empiece a sonar.

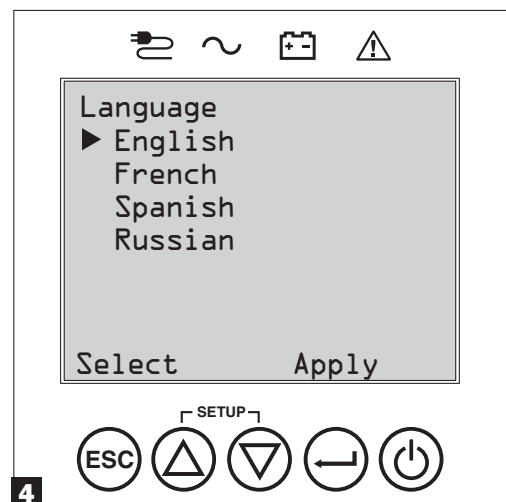


4 Seleccione su Idioma

Cuando se encienda su UPS por primera vez, se encenderá el LED IMPUT AC y la pantalla LCD del panel frontal solicitará una selección de idioma.

Con los botones ARRIBA / ABAJO  , seleccione su preferencia de idioma, entonces oprima el botón SIGUIENTE .

La interfaz confirmará su selección y proporcionará opciones para regresar (oprime ATRÁS ) o adelantar al siguiente paso (oprime SIGUIENTE .



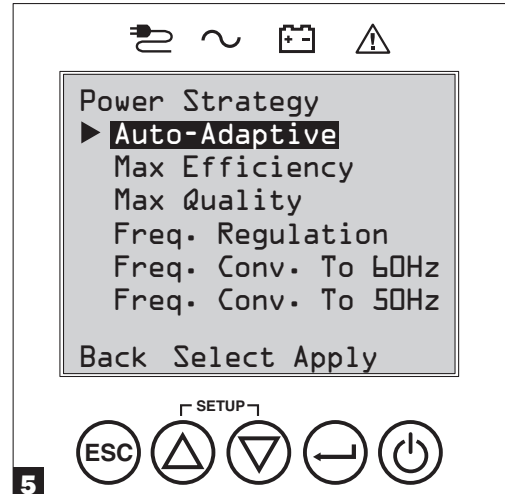
Operaciones

5 Seleccione su Estrategia de Energía

A continuación, el UPS le solicitará seleccionar la ESTRATEGIA DE ENERGÍA deseada.

Con los botones ARRIBA / ABAJO (▲/▼), seleccione su preferencia de ESTRATEGIA DE ENERGÍA y oprima el botón APLICAR (→).

Para consultar las características de operación de cada estrategia de energía, vea las secciones de **Opciones de Selección de Estrategia de Energía** y **Modos de Operación** del UPS bajo la sección de Operaciones.

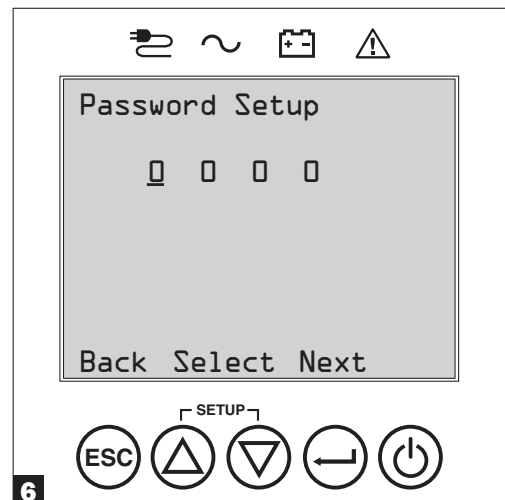


6 Seleccione su Contraseña

A continuación, el UPS le solicitará seleccionar la CONTRASEÑA deseada.

Con los botones ARRIBA / ABAJO (▲/▼), seleccione el primer dígito de su contraseña deseada y oprima el botón SIGUIENTE (→) para avanzar al segundo dígito. Repita para los dígitos 2 a 4.

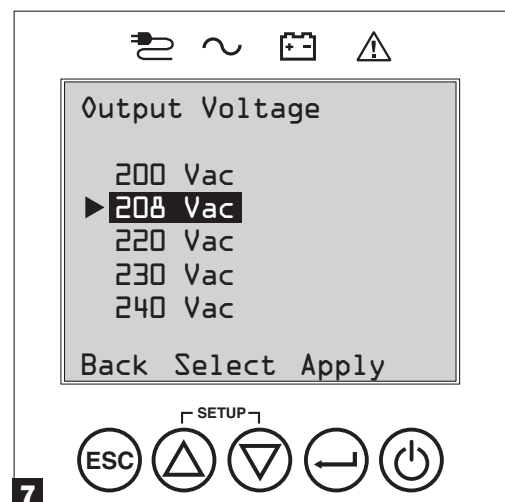
Nota: Para configurar rápidamente la contraseña en "0 0 0 0" oprima el botón NEXT 4 veces.



7 Seleccione el Voltaje de Salida del UPS

Después, el UPS le solicitará seleccionar el VOLTAJE DE SALIDA deseado.

Usando los botones ARRIBA / ABAJO (▲/▼), seleccione el voltaje de salida del UPS, luego seleccione APLICAR (→).

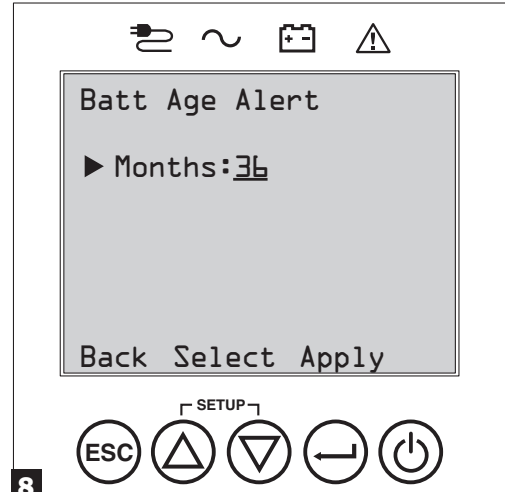


Operaciones

8 Seleccione Alerta de Antigüedad de la Batería del UPS

A continuación, el UPS le solicitará seleccionar el momento de la notificación de Alerta de Antigüedad de la Batería. Puede seleccionar entre 12 y 60 meses. La configuración predeterminada de fábrica es desactivada.

Con los botones ARRIBA / ABAJO (▲/▼), seleccione el tiempo de la alerta de antigüedad de la batería en meses, entonces oprima APLICAR (↵).



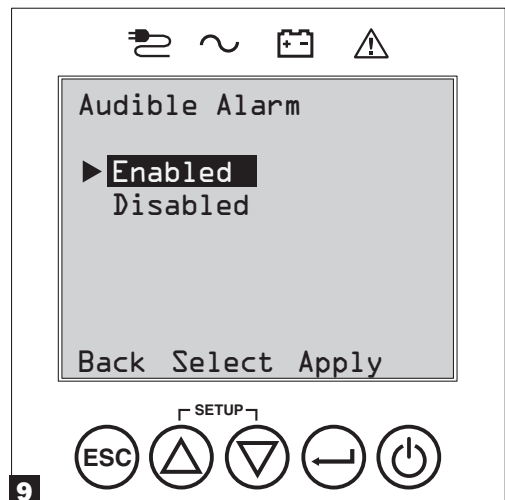
Rango: 12 a 60, Predeterminado: Desactivado

9 Seleccione estado de la Alarma Acústica ACTIVADA / DESACTIVADA

Después, el UPS le solicitará seleccionar el estado ACTIVADA / DESACTIVADA de la alarma.

Con los botones ARRIBA / ABAJO (▲/▼), seleccione el estado de alarma ACTIVADA / DESACTIVADA, entonces oprima APLICAR (↵).

Nota: La inactivación de la alarma evita que la alarma acústica suene solamente durante fallas del suministro eléctrico y condiciones de falla del UPS. La alarma aún emitirá aún un "tono" para confirmar la orden del operador mediante los botones de navegación del LCD del panel frontal cuando se inactive la alarma.



El UPS iniciará entonces una serie de comprobaciones de diagnóstico antes de activar la energía de salida. Una vez que el UPS reporta el estado de operación NORMAL / CARGA PROTEGIDA con la ESTRATEGIA DE ENERGÍA activada, su UPS puede ponerse inmediatamente en servicio para proporcionar protección confiable frente a una amplia variedad de problemas de energía.

Opciones de Selección de Estrategia de Energía

Los sistemas UPS con LCD SmartOnline de Tripp Lite ofrecen diferentes opciones incorporadas de estrategias de energía que permiten al UPS optimizar el rendimiento para atender las necesidades del usuario para una operación con MÁXIMA CALIDAD DE ENERGÍA, MÁXIMA EFICIENCIA y REGULACIÓN DE FRECUENCIA O CONVERSIÓN DE FRECUENCIA. Una estrategia adicional AUTO-ADAPTABLE combina los beneficios de alta eficiencia y máxima calidad de energía. Cada opción de Estrategia de Energía permite que el UPS cambie automáticamente entre modos de operación específicos según determine el estado de la energía y del UPS. Las opciones disponibles de estrategia de energía incluyen:

- **La estrategia de Energía Auto-Adaptable** capacita al UPS para cambiar automáticamente entre MODO EN LÍNEA y MODO ECONÓMICO según indique la calidad y confiabilidad de la energía de alimentación del UPS. Si el UPS no sufre una falla del suministro eléctrico en una semana (sin incluir autodiagnóstico del UPS) el UPS conmutará automáticamente al MODO ECONÓMICO. Si ocurre una falla del suministro eléctrico, el UPS mantendrá la salida en MODO DE BATERÍA. Cuando se restaura la energía, el UPS repetirá el ciclo operando en MODO EN LÍNEA hasta que no haya fallas de energía durante una semana. El modo de derivación automática está disponible durante los modos de falla del UPS cuando la entrada de CA está dentro del rango de derivación.
- **La estrategia de Energía de Máxima Eficiencia** habilita al UPS para operar en forma continua en MODO ECONÓMICO siempre que la alimentación de CA esté dentro del rango de voltaje alto/bajo configurado para derivación. Si el voltaje de entrada del UPS está fuera del rango de derivación configurado, el UPS cambiará automáticamente al MODO EN LÍNEA hasta que el voltaje de entrada de CA se restablezca dentro del rango de voltaje de derivación configurado. Esta es similar a la Estrategia de Energía Auto-Adaptable, excepto que la transferencia al MODO ECONÓMICO es inmediata al recuperarse el nivel de voltaje. No se requiere el período de una semana de operación libre de falla del suministro eléctrico para que el UPS retorne a la operación en MODO ECONÓMICO. El modo de derivación automática está disponible durante los modos de falla del UPS cuando la entrada de CA está dentro del rango de derivación.
- **La estrategia de Energía de Máxima Calidad** habilita al UPS para funcionar continuamente en MODO EN LÍNEA todo el tiempo que la energía entrante de CA esté dentro del rango para la operación en modo en línea. El UPS permanecerá operando en forma continua en modo En Línea de Doble-Conversion, suministrando energía de salida de la mayor calidad con cero tiempo de transferencia. El modo de derivación automática está disponible durante los modos de falla del UPS cuando la entrada de CA está dentro del rango de derivación.
- **La estrategia de Energía con Regulación de Frecuencia** es similar a la Estrategia de Energía de Máxima Calidad, excepto que el UPS regulará en forma activa la frecuencia de salida dentro de +/-0.05 Hz de la frecuencia nominal de 50 o 60 Hz medida en el arranque. El UPS permanecerá operando en forma continua en modo En Línea de Doble-Conversion, suministrando energía de salida de la mayor calidad con cero tiempo de transferencia.

Nota: Durante una falla está disponible la derivación automática. La derivación no está disponible cuando el UPS está en modo de apagado.

- **Las Estrategias de Energía de Conversión de Frecuencia a 60 Hz y Conversión de Frecuencia a 50 Hz** son similares a la estrategia de potencia de Máxima Calidad, excepto que el UPS regulará activamente la salida dentro de +/- 0.5 Hz de los 50 Hz (Configuración de Conv. de Frec. a 50 Hz) o 60 Hz (Configuración de Conv. de Frec. a 60 Hz). La derivación automática no está disponible en el modo de CONVERSIÓN DE FRECUENCIA. Las aplicaciones típicas incluyen la conversión de 50 a 60Hz (o 60 a 50Hz) para dispositivos electrónicos delicados.

Nota: La potencia máxima soportada en el modo de Conversión de Frecuencia es reducida en un 30 %. La derivación automática durante una falla no está disponible.

Modos de operación del UPS

Los sistemas UPS SmartOnline de Tripp Lite son capaces de conmutar automáticamente entre modos de operación bajo condiciones especificadas en la Estrategia de Energía configurada. El UPS indica en forma continua el estado usando los LEDs y la pantalla LCD de visualización interactiva del panel frontal.

- **El Modo en Respaldo por Batería** es la respuesta automática del sistema UPS a fallas del suministro eléctrico y variaciones de voltaje fuera del rango de voltaje en línea. En MODO DE RESPALDO POR BATERÍA, el UPS mantiene energía de salida de CA de onda sinusoidal gracias a las reservas de la batería. Una vez restablecida la energía, el UPS regresará al modo de operación protegida como lo determina la Estrategia de Energía configurada y la condiciones de la energía entrante.
- **El Modo En Línea** (también conocido como MODO EN LÍNEA DE DOBLE CONVERSIÓN) ofrece el más alto nivel de protección al equipo. En el MODO EN LÍNEA, el UPS regenera en forma activa energía de CA a CD, después de CD a CA para suministrar una salida de CA regulada continuamente dentro del 2 % del voltaje de salida nominal seleccionado con cero tiempo de transferencia conforme el UPS conmuta entre los modos de EN LÍNEA y EN RESPALDO POR BATERÍA.
- **El Modo Económico** ofrece operación ahorradora de energía con el más alto nivel de eficiencia de operación del UPS. En MODO ECONÓMICO, el UPS ahorra energía desactivando el proceso en línea de doble conversión siempre que la energía de entrada esté dentro del rango de voltaje del MODO ECONÓMICO. Si el voltaje o frecuencia de alimentación queda fuera del MODO ECONÓMICO, el UPS responderá cambiando automáticamente al MODO EN LÍNEA hasta que se restablezca el voltaje de alimentación.
- **El Modo de Regulación de Frecuencia** proporciona al UPS la capacidad de corregir variaciones de frecuencia presentes en la alimentación del UPS. Para detalles, consulte la sección de **Opciones de Selección de Estrategia de Energía**.
- **Los Modos de Conversión de Frecuencia a 60 Hz y Conversión de Frecuencia a 50 Hz** proporcionan al UPS la capacidad de convertir frecuencia de 50 Hz a 60 Hz (o 60 Hz a 50 Hz). La frecuencia de salida se fija a 60 Hz o 50 Hz, en función de la configuración de frecuencia seleccionada. El UPS aceptará frecuencia de entrada de 40 Hz a 70 Hz y la convertirá, según se requiera. Para detalles, consulte la sección de **Opciones de Selección de Estrategia de Energía**.

Nota: La potencia máxima soportada en el modo de Conversión de Frecuencia es reducida en un 30 %.

- **El Modo en Derivación** ofrece energía filtrada y no regulada al equipo conectado.

Operaciones

Características de Operación de la Estrategia de Energía y Modos de Operación del UPS Soportados

La Estrategia de Energía del UPS configurada proporciona un marco para la operación del UPS conforme cambia entre los modos de operación según lo determinado por los eventos de energía y el estado del UPS. Cada Estrategia de Energía ofrece un grupo único de parámetros de operación a los que el UPS se adhiere a fin de cumplir con las preferencias del usuario para alto rendimiento o alta eficiencia. Están disponibles además opciones adicionales de regulación y conversión de frecuencia para aplicaciones avanzadas. La tabla siguiente lista los modos de operación del UPS soportados por cada opción de Estrategia de Energía.

		MODOS DE OPERACIÓN DEL UPS El UPS cambia automáticamente entre los modos de operación como lo determine la Estrategia de Energía configurada, energía actual y condiciones de estado del UPS.			
		Soporte para MODO EN LÍNEA	Soporte para MODO ECONÓMICO	Soporte para MODO DE RESPALDO POR BATERÍA	Soporte para DERIVACIÓN AUTOMÁTICA
OPCIONES DE SELECCIÓN DE ESTRATEGIA DE ENERGÍA Su selección de Estrategia de Energía capacita al UPS para conmutar entre los modos de operación como se describió.	AUTO-ADAPTABLE El UPS funciona continuamente en MODO ECONÓMICO después de funcionar en MODO EN LÍNEA por una semana completa sin una falla del suministro eléctrico.	SI. Cuando la entrada está dentro del rango de voltaje EN LÍNEA, pero fuera del rango de voltaje de DERIVACIÓN y después se restablece la energía de CA.	SI. Cuando la entrada está dentro del rango de voltaje para MODO ECONÓMICO y no hay fallas del suministro eléctrico por una semana.	SI.	SI. En caso de una falla del inversor del UPS mientras el voltaje de entrada está dentro el rango de voltaje de DERIVACIÓN.
	MÁX. CALIDAD El UPS funciona continuamente en MODO EN LÍNEA para mantener la más alta calidad de energía de salida para el equipo conectado.	SI. Cuando la alimentación está dentro del rango de voltaje EN LÍNEA.	N.º	SI.	SI. En caso de una falla del inversor del UPS mientras el voltaje de entrada está dentro el rango de voltaje de DERIVACIÓN.
	MÁX. EFICIENCIA El UPS funciona en MODO ECONÓMICO todo el tiempo cuando la alimentación está dentro del rango de derivación.	SI. Cuando la entrada está dentro del rango de voltaje EN LÍNEA, pero fuera del rango de voltaje de DERIVACIÓN.	SI. Cuando la entrada está dentro del rango de voltaje del MODO ECONÓMICO.	SI.	SI. En caso de una falla del inversor del UPS mientras el voltaje de entrada está dentro el rango de voltaje de DERIVACIÓN.
	REGULACIÓN DE FRECUENCIA El UPS regula la salida a estar entre +/-0.5Hz de la nominal.	SI. Cuando la alimentación está dentro del rango de voltaje EN LÍNEA.*	N.º	SI.	SI. En caso de una falla del inversor del UPS mientras el voltaje de entrada está dentro el rango de voltaje de DERIVACIÓN.
	LA CONVERSIÓN DE FRECUENCIA A 60 Hz del UPS la convierte a 60 Hz (± 0.5 Hz).	SI. Cuando la alimentación está dentro del rango de voltaje EN LÍNEA.**	N.º	SI.	N.º
	LA CONVERSIÓN DE FRECUENCIA A 50 Hz del UPS convierte la entrada de 60 Hz a 50 Hz (± 0.5 Hz).	SI. Cuando la alimentación está dentro del rango de voltaje EN LÍNEA.**	N.º	SI.	N.º

* El LCD muestra REGULACIÓN DE FRECUENCIA como el modo de operación con información de reducción.

** El LCD muestra la REGULACIÓN DE FRECUENCIA como el modo de operación con información de la reducción de los valores establecidos.

Opciones de Selección y Configuración del LCD del Panel Frontal

MENÚ PRINCIPAL / SUBMENÚ	OPCIONES DE PANTALLA / CONFIGURACIÓN	DESCRIPCIÓN DE PANTALLA / CONFIGURACIÓN
ESTADO		
Estado de Carga	<ul style="list-style-type: none"> Nivel de carga (% , kW, kVA, A, PF) Capacidad disponible (% , kW, kVA) 	<p>Porcentaje de carga del UPS (%), kilowatt (kW), kilovoltampere (kVA), amperes (A) y factor de potencia (PF).</p> <p>Capacidad del UPS disponible en porcentaje (%), kilowatts (kW) y kilovoltamperes (kVA).</p>
Estado Ent/Sal	<ul style="list-style-type: none"> Voltaje y frecuencia de entrada (VCA, Hz) Voltaje y frecuencia de salida (VCA, Hz) Grupo de carga 1 (Encendido, Apagado) Grupo de Carga 2 (Encendido, Apagado) Grupo de Carga 3 (encendido, apagado) 	Muestra información del estado de entrada y salida del UPS para voltaje de entrada / salida (VCA), frecuencia (Hz) e información del estado de energía del grupo de salida (Encendido/Apagado).
Estado de Energía	<ul style="list-style-type: none"> Eficiencia (%) Promedio Potencia (kw/h) Estrategia de energía configurada 	Muestra el porcentaje de eficiencia del UPS (%), consumo del equipo conectado en kilowatt hora (kw/hr) y Estrategia de Energía configurada.
Estado de la Batería	<ul style="list-style-type: none"> Modelo y número de serie de la batería Instalado (mm/dd/aaaa) Caduca (mm/dd/aaaa) 	Muestra el número de modelo y número de serie del módulo de baterías (MÓDULOS DE BATERÍAS SMART de Tripp Lite) solamente, la fecha de instalación y la fecha de expiración configurada por el usuario.
Diagrama de Flujo de Energía	<ul style="list-style-type: none"> Vea el diagrama de flujo operativo del UPS 	Muestra el modo de operación del UPS en una gráfica de flujo.
CONTROL		
Iniciar Prueba de la Batería Test	<ul style="list-style-type: none"> Inicia una prueba manual de la batería 	Inicia un autodiagnóstico momentáneo de la batería del UPS con resultados inmediatos de aprobación/falla
Restauración de Estado Falla	<ul style="list-style-type: none"> Restablece cualquier mensaje de estado de falla 	Use esta función para borrar los mensajes de falla del UPS.
Prueba de Autodiagnóstico de Batería Testing	<ul style="list-style-type: none"> Establecer intervalo regular de auto-diagnóstico de la batería <ul style="list-style-type: none"> Desactivar 4 semanas (configuración de fábrica) 13 semanas 26 semanas 	Use esta opción para iniciar la prueba automática de la batería a intervalos regulares.
REGISTRO DE EVENTOS		
Eventos en Respaldo por Batería Events	<ul style="list-style-type: none"> Contador de eventos (Solo eventos del UPS respaldado por batería) Minutos totales (Minutos totales de operación en modo de respaldo por batería) Falla de energía más reciente (fecha) Meses hasta alerta de reemplazo de la batería (meses) Detalles del evento (fecha, hora y descripción para los últimos 20 eventos registrados) 	Muestra un resumen de todos los eventos de RESPALDO POR BATERÍA cuando el UPS conmutó al modo de respaldo por batería en respuesta a una condición protegida. Los detalles de eventos listan los últimos 20 eventos de respaldo por batería. Según ocurren alertas adicionales, los registros más antiguos serán eliminados automáticamente.
Todos los Eventos	<ul style="list-style-type: none"> Contador de eventos (todos los eventos) Evento más reciente (fecha) Registro de hora de fecha 	Muestra un resumen de todos los eventos registrados. Los detalles de eventos listan los últimos 20 eventos. Según ocurren alertas adicionales, los registros más antiguos serán eliminados automáticamente.
PARÁMETROS		
Configuración básica	Sistema <ul style="list-style-type: none"> Fecha actual (pantalla, establecer fecha) Hora actual (Mostrar, Configurar hora) Alarma acústica (activar, desactivar) Idioma (Seleccione) 	<p>Muestra, establece y restaura configuraciones de fecha, hora, estado de la alarma acústica e idioma.</p> <p>Nota: La configuración de DESACTIVAR la Alarma Acústica evita solo alarmas por falla de energía y operativas, el UPS siempre sonará para confirmar que está aceptando instrucciones del usuario desde los botones de navegación del LCD del panel frontal.</p> <p>Nota: La fecha actual y la hora local actual se reportan directamente desde la tarjeta para administración remota.</p>
	Voltaje de salida • 200 <ul style="list-style-type: none"> 208 220 230 240 	Use la opción de CONFIGURACIONES / BÁSICA / VOLTAJE DE SALIDA para mostrar o establecer el voltaje de salida nominal del UPS (los cambios se efectuarán en el siguiente reinicio).

Operaciones

MENÚ PRINCIPAL / SUBMENÚ	OPCIONES DE PANTALLA / CONFIGURACIÓN	DESCRIPCIÓN DE PANTALLA / CONFIGURACIÓN
PARÁMETROS		
Configuración básica (continuación)	Estrategia de Energía: <ul style="list-style-type: none"> • Auto-Adaptable • Eficiencia Máxima • Máxima Calidad • Freq. Regulación de Frec. • Freq. Conversión de Frec. a 60 Hz • Freq. Conversión de Frec. a 50 Hz 	Use la opción de CONFIGURACIONES / BÁSICA / ESTRATEGIA DE ENERGÍA para mostrar o establecer la Estrategia de Energía del UPS. Ver la sección Opciones de Selección de Estrategia de Energía bajo la sección de Operaciones para más información acerca de las opciones disponibles de Estrategia de Energía.
	Batería: <ul style="list-style-type: none"> • Configuración de la batería • Batería Externa • Alerta del Envejecimiento de la Batería 	Use la opción de Configuración/Básica/Batería para ver la batería externa instalada y sus fechas de vencimiento, junto con información del cartucho de baterías de reemplazo. Ver la sección Operaciones/Configuración de Módulos de Baterías Externas información de cómo configurar módulos de baterías externas. La alerta de antigüedad de la batería permite configurar la duración del recordatorio de reemplazo de la batería. La configuración predeterminada de fábrica es desactivada.
Configuración avanzada	Sistema: <ul style="list-style-type: none"> • Brillo de Pantalla <ul style="list-style-type: none"> o Alto o Medio (configuración de fábrica) o Bajo • Atenuación de la retro-iluminación: Ingrese de 10 a 120 segundos (la configuración de fábrica es de 60 segundos) • Contraseña: Establezca su contraseña de 4 dígitos (la configuración de fábrica es 0000) • Restaurar configuración de fábrica (restaura todas las preferencias del UPS a los parámetros de fábrica, incluyendo las configuraciones de la batería) <p><i>Nota: Cuando se ejecute, la tarjeta SNMP se reiniciará.</i></p>	Use la opción de CONFIGURACIONES / AVANZADA / SISTEMA para establecer las opciones del brillo de la pantalla, el tiempo de atenuación de la retro-iluminación, la contraseña o restaurar la configuración de fábrica.
	Entrada/Salida: <ul style="list-style-type: none"> • Nivel de Alerta por Sobrecarga: Ingrese un valor entre el 5 % y el 105 % (la configuración de fábrica es 105 %) 	Use CONFIGURACIONES / AVANZADA / ENTRADA-SALIDA para estas opciones: Establece el porcentaje de carga de salida del UPS antes de que se envíe una alerta de sobrecarga.
	<ul style="list-style-type: none"> • Conf. Configuración de la Acción en Caso de Falla (respuesta del UPS a la falla) <ul style="list-style-type: none"> o Vaya a Derivación (predeterminado de fábrica) o Vaya a en Espera 	Establece la respuesta del UPS ante condiciones de falla que requieran que el UPS salga del modo de doble conversión. La opción de IR A DERIVACIÓN mantiene la salida de CA (mientras el voltaje de entrada esté dentro de los límites alto/bajo de derivación). La opción de IR A EN ESPERA causa que el UPS apague la salida de CA en respuesta a condiciones de falla.
	<ul style="list-style-type: none"> • Límite Inferior de la Derivación: Ingrese un valor del -5 % al -20 % (la configuración de fábrica es -15 %) 	Especifica el voltaje de alimentación más bajo aceptable para operación en derivación.
	<ul style="list-style-type: none"> • Límite Superior de la Derivación: Ingrese un valor del +5 % al +20 % (la configuración de fábrica es +15 %) 	Especifica el voltaje de alimentación más alto aceptable para operación en derivación.
	Encendido/Apagado: <ul style="list-style-type: none"> • Arranque en Frío <ul style="list-style-type: none"> o Activado (configuración de fábrica) o Desactivado 	Para estas opciones use CONFIGURACIONES / AVANZADA / ENCENDIDO-APAGADO: El activado de arranque en frío permite al UPS encenderse manualmente en modo de respaldo por batería durante una falla del suministro eléctrico.
	<ul style="list-style-type: none"> • Reinicio Automático <ul style="list-style-type: none"> o Activado (configuración de fábrica) o Desactivado 	El activado del reinicio automático permite al UPS encender automáticamente en un modo de operación protegido cuando se restablece la energía.
	<ul style="list-style-type: none"> • Retraso de Reinicio Automático <ul style="list-style-type: none"> o Ingresar: 0 a 60 segundos (la configuración de fábrica es 0 segundos) 	El retardo del reinicio automático fuerza al UPS a esperar entre 0 y 60 segundos después de restaurada la energía antes de reiniciar automáticamente. Requiere que se reinicie automáticamente cuando se restablezca la energía.
	<ul style="list-style-type: none"> • Ahorro de Energía <ul style="list-style-type: none"> o Ingrese: 0 % - 100 % o Desactivado (configuración de fábrica) 	El ahorro de energía permite al UPS apagarse automáticamente cuando la carga de salida es inferior que el porcentaje seleccionado en forma continua durante 5 minutos.
	<ul style="list-style-type: none"> • Modo Apagado <ul style="list-style-type: none"> o En Espera o Derivación (configuración de fábrica) 	La configuración del modo de apagado en DERIVACIÓN permite al UPS suministrar energía de alimentación no regulada dentro de los límites alto/bajo configurados de la derivación para estar disponible a la salida del UPS cuando se apague.
<ul style="list-style-type: none"> • Min. Batería para Reiniciar <ul style="list-style-type: none"> o Ingrese: 10-90 % o Desactivado (configuración de fábrica) 	El nivel mínimo de carga de la batería para reiniciar fuerza al UPS a esperar hasta que las baterías se hayan recargado al porcentaje seleccionado antes de reiniciar automáticamente. <i>Nota: Puede arrancarse manualmente el UPS usando el botón de encendido si la batería está por debajo del umbral de reinicio por batería.</i> Se requiere que esté activado el Reinicio Automático cuando se restablezca la energía.	

Operaciones

MENÚ PRINCIPAL / SUBMENÚ	OPCIONES DE PANTALLA / CONFIGURACIÓN	DESCRIPCIÓN DE PANTALLA / CONFIGURACIÓN	
PARÁMETROS			
Configuración avanzada (continuación)	En Respaldo por Batería: <ul style="list-style-type: none"> • Low Batt. Apagado por Batería Baja <ul style="list-style-type: none"> ○ Ingrese: 10-90 % (la configuración de fábrica es 20 %) • Apagado Programado <ul style="list-style-type: none"> ○ Ingrese: 15, 30, 45 s, 1-30 min ○ Desactivado (configuración de fábrica) • Apagado por Batería Baja <ul style="list-style-type: none"> ○ Ingrese: 5 % - 100 % ○ Desactivado (configuración de fábrica) • Eventos en Respaldo por Batería Retraso de Bip <ul style="list-style-type: none"> ○ Ingrese: 0 ~ 120 segundos (la configuración de fábrica es de 5 segundos) • Finalización del apagado <ul style="list-style-type: none"> ○ Requerido (configuración de fábrica) ○ Interrupción CORRECTA 	<p>Permite el UPS enviar una alerta de batería baja según se descargue la batería al nivel de carga seleccionado durante una falla del suministro eléctrico.</p> <p>El apagado temporizado establece el monto máximo de autonomía respaldada por batería en segundos o minutos que el UPS proporcionará durante una falla del suministro eléctrico. Use la configuración DESACTIVADO para tener la autonomía máxima posible.</p> <p>El apagado por batería baja establece el monto máximo de descarga de la batería antes que el UPS se apague debido a una batería baja. La configuración de DESACTIVADO permite que las baterías se descarguen al 0 % antes de apagarse.</p> <p>La configuración de "Retraso del Pitido" permite retrasar la alarma acústica hasta 120 segundos para evitar que la alarma suene en respuesta a fallas del suministro eléctrico de corta duración.</p> <p>El UPS comunicará el mensaje de apagado a los sistemas conectados antes del apagado del UPS. La configuración de INTERRUMPIR OK interrumpirá el mensaje de apagado si la energía es restablecida después de enviado el mensaje de apagado.</p>	
	Parámetros del DB9: <ul style="list-style-type: none"> • Config. DB9 <ul style="list-style-type: none"> ○ Pines de salida 1 y 5 <ul style="list-style-type: none"> - en Respaldo por Batería (predeterminado de fábrica) - En Derivación - Salida en - Respaldo por batería baja (solo modo de respaldo por batería) ○ Pines de salida 8 y 5 <ul style="list-style-type: none"> - en Respaldo por batería - En Derivación - Salida en - Respaldo por batería baja (solo modo de respaldo por batería) (predeterminado de fábrica) ○ Pines de entrada 3 y 9 <ul style="list-style-type: none"> - Apagado (modo de respaldo por batería solamente— predeterminado de fábrica) - Salida apagada - Reinicio - Salida encendida - Alternado de encendido y apagado 	<p>El UPS señalará la condición seleccionada puenteadando las terminales 1 y 5 en el puerto DB9. El máximo de voltaje y flujo de corriente a través de esta conexión de contacto seco es de 30vcd 10ma.</p> <p>El UPS señalará la condición seleccionada puenteadando las terminales 8 y 5 en el puerto DB9. El máximo de voltaje y flujo de corriente a través de esta conexión de contacto seco es de 30vcd 10ma.</p> <p>El UPS ejecutará la acción seleccionada cuando las terminales 3 y 9 son puenteadas en el puerto DB9 por al menos 4 segundos.</p> <p>Para la opción de reinicio (salida desactivada por 30 segundos antes de reinicio): Tenga en cuenta que las terminales deben puentearse por al menos 4 segundos para ejecutar el reinicio. El reinicio ocurre en exactamente 4 segundos. Si las terminales continúan puenteadas por más de 4 segundos, no debe tomarse acción adicional. El UPS no toma acción al retirar el puente.</p> <p>La opción del Interruptor de Encendido está diseñado para mantener la unidad encendida cuando las terminales no estén puenteadas y apagada cada vez que las terminales estén puenteadas. Tenga en cuenta que esta entrada no puede encender la unidad desde un estado apagado a menos que se aplique CA válida (esta función no asume un arranque en frío) Para encender, las terminales no deben estar puenteadas por al menos 4 segundos y la CA debe ser válida. Para apagar, las terminales deben estar puenteadas por al menos 4 segundos.</p> <p>El UPS ejecutará la acción seleccionada si se pierde la señal USB desde un dispositivo conectado en modo de energía de línea por la duración seleccionada.</p>	
	ACERCA DE		
	Inf. del UPS	Número de modelo del UPS, número de serie del UPS, fecha de instalación del UPS	La fecha de instalación del UPS es establecida automáticamente por la unidad después de 2 horas de operación continua.
	ID de Red	Firmware de tarjeta accesoria para administración de red, dirección IPv4, dirección IPv6, dirección MAC	
	Firmware	Versiones de Firmware del UPS	
	Acceso por Móvil	:	Dirige al usuario a la interfaz de tarjeta SNMP. El URL es HTTPS seguro.
DOCUMENTACIÓN			
Código QR de documentación	:	Dirige el usuario a la documentación del producto en el sitio web de Tripp Lite.	

Configuración de los Módulos de Baterías Externas

Los sistemas UPS SmartOnline de Tripp Lite soportan la conexión de módulos de baterías externas para habilitar la operación de autonomía extendida del UPS. A fin de que el UPS proporcione niveles de carga eficientes y predicciones precisas para la autonomía óptima de la red antes de enviar mensajes de apagado automático, los bancos de baterías externas necesitan ser configurados al UPS en la instalación.

Existen 2 métodos disponibles para configurar los módulos de baterías externas al UPS, dependiendo del módulo de baterías seleccionado y la cantidad agregada al UPS. Algunas configuraciones de módulos de baterías pueden requerir del uso de más de un método de configuración.

Configurado AUTOMÁTICAMENTE (Usando Módulos de Baterías SMART)	O Usando el SOFTWARE PARA CONFIGURACIÓN DE BATERÍAS EXTERNAS
El UPS soporta la detección automática de hasta 4 MÓDULOS DE BATERÍAS SMART conectados al UPS.	El software para la configuración de la Batería Externa puede usarse para configurar el UPS para cualquier cantidad soportada de módulos de baterías externas SMART y NO-SMART.

Los *Módulos de Baterías SMART* de Tripp Lite incluyen una conexión cableada de datos que permite la detección y configuración automática de hasta 4 Módulos de Baterías SMART al UPS. Los módulos de baterías *tradicional* NO SMART de Tripp Lite son también soportados para aplicaciones de autonomía extendida, pero requieren configuración del usuario mediante el uso del SOFTWARE PARA CONFIGURACIÓN DE BATERÍAS EXTERNAS.

Configuración de MÓDULOS DE BATERÍAS SMART y NO-SMART

Adición de hasta 4 MÓDULOS DE BATERÍAS SMART al UPS

Pueden conectarse hasta 4 módulos de baterías SMART a cada UPS para una detección y configuración totalmente automáticas. Los módulos de baterías SMART incluyen una conexión cableada de datos que conecta al puerto de detección de Módulo de Baterías del UPS para el reconocimiento y configuración automática por el UPS.

Para configurar el UPS para usarlo con hasta 4 MÓDULOS DE BATERÍAS SMART, solo conecte los cables de ALIMENTACIÓN y DATOS incluidos entre el UPS y el primer MÓDULO DE BATERÍAS SMART. Después conecte los cables de ALIMENTACIÓN y DATOS para los MÓDULOS DE BATERÍAS SMART siguientes. El UPS detectará y configurará automáticamente hasta 4 MÓDULOS DE BATERÍAS SMART al UPS.

Adición de más de 4 MÓDULOS DE BATERÍAS SMART al UPS

Los sistemas UPS SmartOnline soportan la detección automática de hasta 4 MÓDULOS DE BATERÍAS SMART como se describe arriba. Si se necesitan configurar más de cuatro módulos de baterías, todos los módulos deben configurarse mediante el software BP Config. En esta configuración, no conecte el cable de la batería Smart a ninguno de los módulos de baterías externas.

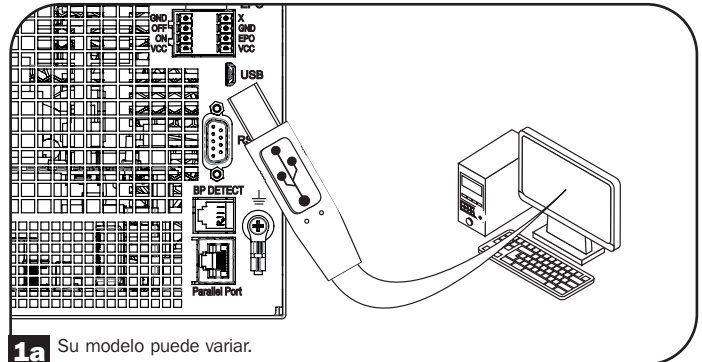
Conexiones Opcionales

Su UPS trabajará correctamente sin estas conexiones.

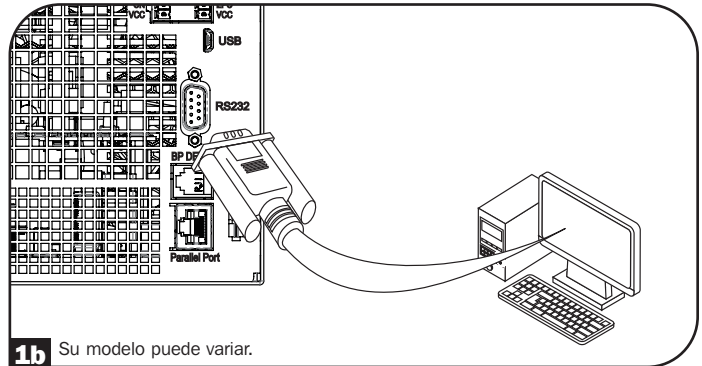
1 Comunicaciones de contacto seco de USB y RS-232

Use el cable USB incluido (ver Figura 1a) o cable serial RS-232 (ver Figura 1b) para conectar el puerto de comunicación de su computadora al puerto de comunicación de su UPS. Instale en su computadora el Software PowerAlert de Tripp Lite apropiado para el sistema operativo de su computadora. Para más información, consulte su manual de PowerAlert.

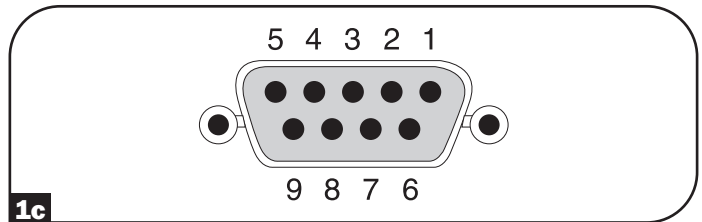
1c Las comunicaciones de contacto seco RS-232 son sencillas, pero es necesario cierto conocimiento de los aparatos electrónicos para configurarlos. Las asignaciones de los pins del puerto RS-232 se muestran en el diagrama. Si la batería del UPS está baja, el UPS envía una señal puentando las terminales 8 y 5. Si falla la energía de la red pública, el UPS envía una señal puentando las terminales 1 y 5. Para apagar el UPS en forma remota, conecte la terminal 3 a la terminal 9 por al menos 4 segundos. Pueden configurarse funciones adicionales de estas terminales mediante el LCD o mediante comunicación de la tarjeta de accesoria para gestión web.



1a Su modelo puede variar.



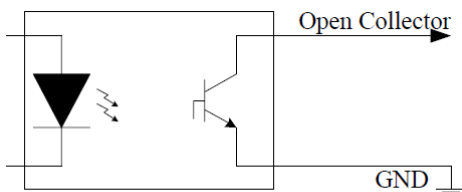
1b Su modelo puede variar.



1c

PIN	Descripción de Asignación	
	RS-232	Contacto Seco
1		Falla de Energía de la Red Pública (Colector Abierto)
2	TxD de UPS	
3	RXD de UPS	Apagado Remoto (5-12V)
4	Reservado	Reservado
5	GND [Tierra]	GND [Tierra]
6	Reservado	Reservado
7		
8		Batería Baja (Colector Abierto)
9		+12V (fuente de 1KΩ)

Especificación y características de los pines 1 y 8 a GND		
Parámetro	Valor	Condiciones
Voltaje Máximo del colector	30V	
Corriente máxima del colector	10ma	
Voltaje máximo del colector inverso	-5V	
Corriente máxima de fuga	0.1μa	Voltaje del colector = 20V, la función del pin no está activa
Caída típica de voltaje	0.5V	Corriente del colector = 5mA, la función del pin está activa



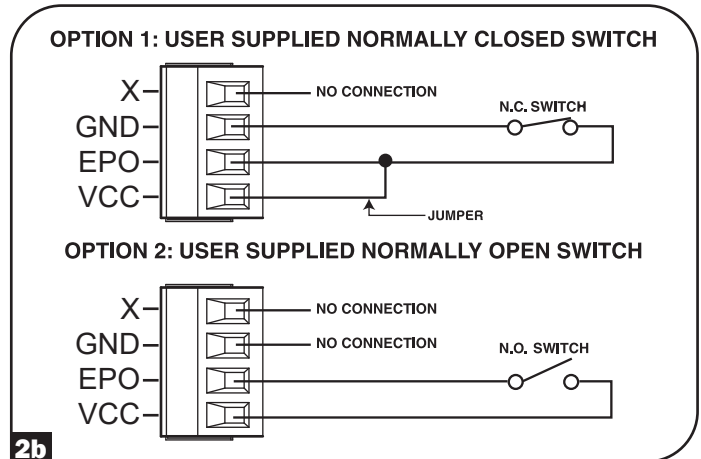
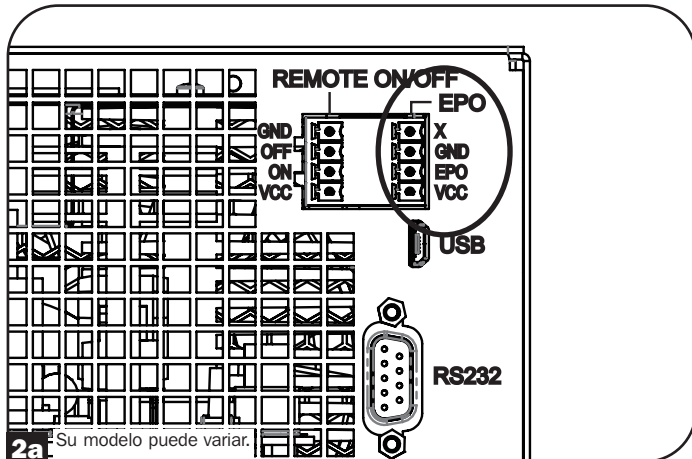
Open Collector Circuit

Conexiones Opcionales

2 Conexión del Puerto EPO

Esta característica opcional es solo para aquellas aplicaciones que requieran conexión a un circuito de Apagado de Emergencia [EPO] de la instalación. Cuando el UPS está conectado a este circuito, el UPS entra en espera por falla. Conecte el puerto de EPO de su UPS (ver **2a**) a un interruptor normalmente cerrado o normalmente abierto, proporcionado por el usuario, de acuerdo al diagrama del circuito (ver **2b**).

Nota: El bloque de terminales de 4 pines soporta calibres de alambre del 14-30 AWG con una longitud desnuda de 7 mm. Los tornillos de la terminal M2 deben apretarse entre 0.22 y 0.25 Nm. Si se usa un switch de EPO sin enganche, el EPO debe sostenerse por un mínimo 1 segundo. Esto no aplica para un switch de EPO con bloqueo.



Estado del UPS cuando se mantiene EPO con alimentación de CA válida presente:

Salida de CA	Estado de la Pantalla LCD	Estado de los LEDs	USB	Serial	SNMP
Apagado	EPO Activo	Solo el Indicador de Entrada de CA está Encendido.	Apagado	Apagado	Apagado

Para reiniciar el UPS después de activar EPO con una alimentación de CA válida presente:

1. Verifique que la activación del EPO se ha retirado o borrado.
2. Presione y sostenga el botón de ENCENDIDO/APAGADO hasta que suene un bip. Ahora el UPS reiniciará en uno de los modos preconfigurados de operación normal.

Estado del UPS cuando se activa EPO sin alimentación de CA válida presente (Modo de Respaldo por Batería):

Salida de CA	Estado de la Pantalla LCD	Estado de los LEDs	USB	Serial	SNMP
Apagado	EPO Activo	Apagado	Apagado	Apagado	Apagado

Para reiniciar el UPS después de la afirmación de EPO:

1. Verifique que la activación del EPO se ha retirado o borrado.
2. Presione y sostenga el botón de ENCENDIDO/APAGADO hasta que suene un bip. Ahora el UPS se reiniciará al modo de respaldo por batería o al modo de operación normal preconfigurado (si hay energía de CA presente).

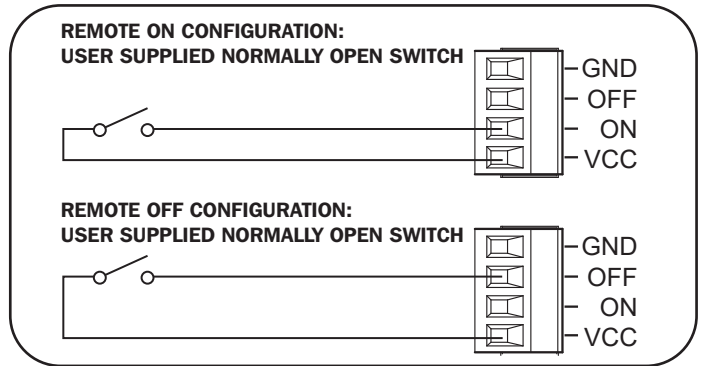
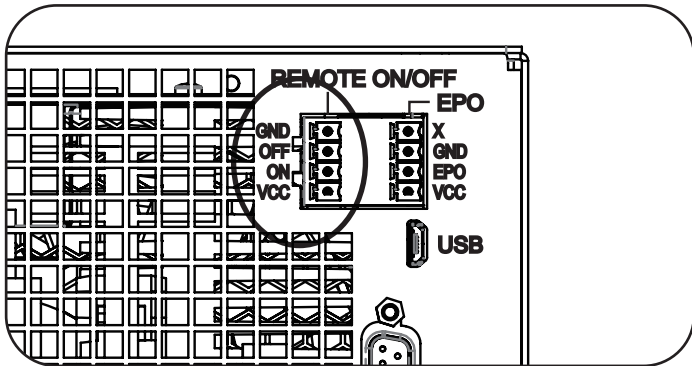
Conexiones Opcionales

3 Configuración Remota de ENCENDIDO/APAGADO

Esta función está diseñada para cambiar el UPS al modo en Derivación para la configuración de apagado remoto o al modo en línea para la configuración de encendido remoto.

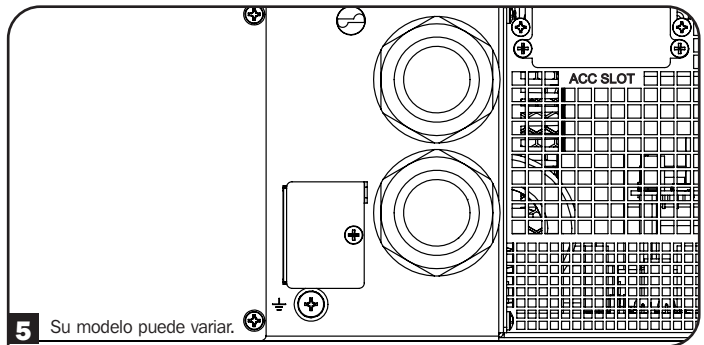
Nota: El bloque de terminales de 4 pines soporta calibres de alambre del 14-30 AWG con una longitud desnuda de 7 mm. Los tornillos de la terminal M2 deben apretarse entre 0.22 y 0.25 Nm. Nota: Antes de activar la función de encendido remoto, verifique que la entrada de CA esté presente y sea válida.

Nota: Antes de activar la función de apagado remoto, verifique que la entrada de CA esté presente y sea válida. El bloque de terminales de 4 pines soporta alambre calibre 14-30 AWG con una longitud desnuda de 7 mm. Los tornillos de la terminal M2 deben apretarse entre 0.22 y 0.25 Nm.



4 Conexión de la Batería Externa

Compruebe la sección de **Accesorios Específicos del Modelo** debajo de **Descripción General** para consultar módulos de baterías compatibles y cantidades máximas para su sistema UPS. Asegure que su módulo de baterías concuerde con el voltaje listado junto al conector de la batería de su UPS. Agregar baterías externas aumentará la autonomía así como el tiempo de recarga. Vea el Manual del Propietario del módulo de batería, para instrucciones completas de instalación y configuración. Asegúrese de instalar primero el cable de conexión a tierra del cable de la batería al borne de tierra ubicado cerca del conector de CD. Conecte el conector de CD y asegúrese de que esté completamente insertado en sus conectores antes de asegurarlo con el tornillo de mariposa. Durante la conexión de la batería se pueden generar pequeñas chispas; esto es normal. No conecte ni desconecte los módulos de baterías cuando el UPS esté funcionando con energía de la batería.



¡¡IMPORTANTE! A fin de que las pantallas LCD de autonomía restante y de información del software indiquen con precisión la autonomía con los módulos de baterías externas conectados, debe configurar mediante el método de comunicación de la batería Smart (límite 4 módulos de baterías SMART), usando el LCD del panel frontal o el software para Configuración de Baterías Externas de Tripp Lite. Consulte la sección de **Configuración de Módulos de Baterías Externas** bajo **Operaciones**.



Al instalar un módulo de baterías externas, observe todas las advertencias de baterías externas en la sección de **Instrucciones de Seguridad Importantes** de este manual y siga las instrucciones de instalación del módulo de baterías externas.

Solución de Problemas y Registro de Eventos

Consulte la siguiente tabla para explicación de fallas del UPS y advertencias que pueden ser accesibles a través de la función del Registro de Eventos mediante la pantalla LCD o el Programa PowerAlert, así como soluciones sugeridas para cada falla/advertencia.

Mensaje de Pantalla LCD	Texto de Encabezado de Pantalla LCD	Comentarios
Errores/Fallas Internas del UPS:		
Sobre Corriente Inv.	** FALLA **	Si el problema persiste, póngase en contacto con Tripp Lite.
Sobre Corriente Inv.	** FALLA **	Si el problema persiste, póngase en contacto con Tripp Lite.
OCP Anormal del Inv.	** FALLA **	Si el problema persiste, póngase en contacto con Tripp Lite.
Volts de Bus del Inv.	** FALLA **	Si el problema persiste, póngase en contacto con Tripp Lite.
Comunic. Int. Perdida	** FALLA **	Si el problema persiste, póngase en contacto con Tripp Lite.
Falla de LCR	** FALLA **	El UPS no encenderá. Si el problema persiste, póngase en contacto con Tripp Lite.
Tiempo Agotado de Transacción	** FALLA **	Si el problema persiste, póngase en contacto con Tripp Lite.
Apagado de Emergencia	** FALLA **	Si el problema persiste, póngase en contacto con Tripp Lite.
Falla RTOS	** FALLA **	Si el problema persiste, póngase en contacto con Tripp Lite.
Fuente de Alimentación Baja	** FALLA **	Si el problema persiste, póngase en contacto con Tripp Lite.
Falla Derivación Manual	** FALLA **	Si el problema persiste, póngase en contacto con Tripp Lite.
Falla Precarga PFC	** FALLA **	Si el problema persiste, póngase en contacto con Tripp Lite.
Sobrevoltaje PFC	** FALLA **	Si el problema persiste, póngase en contacto con Tripp Lite.
Bajo voltaje PFC	** FALLA **	Si el problema persiste, póngase en contacto con Tripp Lite.
Sobrevoltaje PFC	** FALLA **	Si el problema persiste, póngase en contacto con Tripp Lite.
Bajo voltaje PFC	** FALLA **	Si el problema persiste, póngase en contacto con Tripp Lite.
Sobrecorriente PFC	** FALLA **	Si el problema persiste, póngase en contacto con Tripp Lite.
Sobrecorriente PFC	** FALLA **	Si el problema persiste, póngase en contacto con Tripp Lite.
Discrepancia Cabezal	** ERROR **	Si el problema persiste, póngase en contacto con Tripp Lite.
Bajas RPM Ventilador Defecto	** ERROR **	Si el problema persiste, póngase en contacto con Tripp Lite.
Discrepancia Checksum NVR	** ERROR **	Si el problema persiste, póngase en contacto con Tripp Lite.
NVR Inválido	** ERROR **	Si el problema persiste, póngase en contacto con Tripp Lite.
Falla Oscilador RTC	** ERROR **	Si el problema persiste, póngase en contacto con Tripp Lite.
Datos Corruptos RTC	** ERROR **	Si el problema persiste, póngase en contacto con Tripp Lite.
Error de Registro	** ERROR **	Si el problema persiste, póngase en contacto con Tripp Lite.
Error Escritura EEPROM	** ERROR **	Si el problema persiste, póngase en contacto con Tripp Lite.
Sobrevoltaje Ventilador	** ERROR **	Si el problema persiste, póngase en contacto con Tripp Lite.
Ventilador No Funciona	** ERROR **	Si el problema persiste, póngase en contacto con Tripp Lite.
Checksum Estado NVR	** ERROR **	Si el problema persiste, póngase en contacto con Tripp Lite.
Compartido de Carga	** ERROR **	Si el problema persiste, póngase en contacto con Tripp Lite.
Falla Estado Batería	** ERROR **	Si el problema persiste, póngase en contacto con Tripp Lite.
Evento Doble en Cola	** ERROR **	Si el problema persiste, póngase en contacto con Tripp Lite.
Desborda Cola EEPROM	** ERROR **	Si el problema persiste, póngase en contacto con Tripp Lite.
Errores/Fallas Relacionados con Carga/Temperatura:		
Sobre temperatura	** FALLA **	En este modo, la mayoría de los circuitos de energía deben estar apagados, disminuyendo así la temperatura. Una vez en modo de derivación por falla, si la temperatura excede el umbral de sobretemperatura durante 5 minutos, la unidad irá a inactivo asegurado.
Sobrecarga	** FALLA **	La unidad debe revertir automáticamente del modo en derivación por falla al ECO/en línea (liberación de sobrecarga) cuando la carga se reduzca a menos del 95% consistentemente por 10 segundos.

Solución de Problemas y Registro de Eventos

Mensaje de Pantalla LCD	Texto de Encabezado de Pantalla LCD	Comentarios
Errores/Fallas Relativos a la Batería/Cargador:		
Máx. Volts. Bat.	** FALLA **	Si el problema persiste, póngase en contacto con Tripp Lite.
Voltage Mín. de Batería	** FALLA **	Si el problema persiste, póngase en contacto con Tripp Lite.
Corriente Máx. de Batería	** FALLA **	Si el problema persiste, póngase en contacto con Tripp Lite.
Bajo Voltaje de Cargador	** ERROR **	El cargador está funcionando, pero el voltaje de carga es demasiado bajo.
Sobrevoltaje de Cargador	** ERROR **	El cargador está funcionando, pero el voltaje de carga es demasiado alto.
Sobrecorriente de Cargador	** ERROR **	El cargador está trabajando, pero la corriente de carga es demasiado alta.
Corriente Baja del Cargador	** ERROR **	El cargador está trabajando, pero la corriente de carga es demasiado baja.
Error de HW del cargador	** ERROR **	Si el problema persiste, póngase en contacto con Tripp Lite.
Sin Batería	** ERROR **	Si no hay batería, solo se producirán transferencias de ECO a en línea.
Sobrevoltaje de Batería	** ERROR **	Si el problema persiste, póngase en contacto con Tripp Lite.
Reemplazar Bat.	** ERROR **	
Bajo Voltaje de Batería	** ALERTA **	
Apagado % Bat. Baja	** ALERTA **	
SD Temporizado En Bat	** ALERTA **	
Otras Advertencias y Eventos:		
Número de BP cambiado	** ALERTA **	Si este cambio es inesperado, compruebe las comunicaciones de la batería Smart.
Apagado de Emergencia	** ALERTA **	Compruebe el estado y parámetros del switch EPO.
PDM de Derivación Desprendido	** ALERTA **	
Apagado por Ahorro Energía	** ALERTA **	
Alerta de Antigüedad de Batería No Inteligente	** ALERTA **	La batería no inteligente puede necesitar reemplazo.
Alerta de Antigüedad de Batería Interna	** ALERTA **	La batería interna puede necesitar reemplazo.
Alerta de Antigüedad de Batería Externa	** ALERTA **	La Batería Externa Smart {N/S} puede necesitar reemplazo.

Reemplazo de la Batería Interna

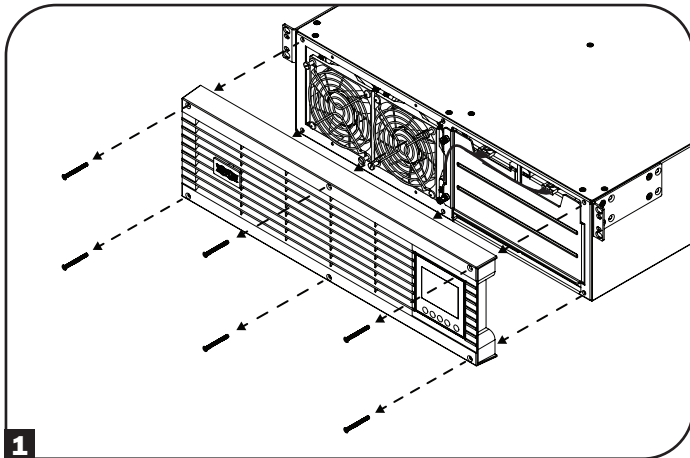


Puerta para Reemplazo de la Batería: En condiciones normales, la batería original de su UPS durará varios años. Sin embargo, las baterías son Hot-Swap. El reemplazo de la batería debe llevarse a cabo solo por personal de servicio calificado. Refiérase a "Advertencias de la Batería" en la sección de **Seguridad**. Si requiere una batería de reemplazo, puede encontrarla en tripplite.com/support/battery/index.cfm. Para encontrar la batería correcta de reemplazo para su UPS, consulte la tabla siguiente:

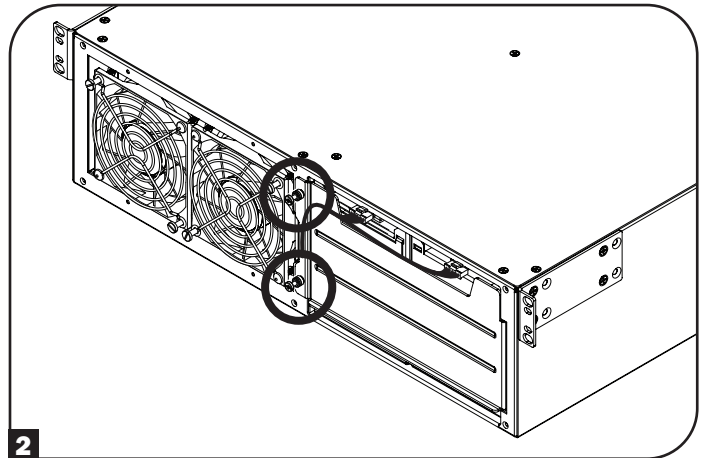
Modelo de UPS	Reemplazo del Cartucho de Baterías
SU5KRT3UHV	RBC58-3US
SU5KRT3UX	RBC58-3US
SU5KRT3UG	RBC58-3US
SU5KRT3UHW	RBC58-3US
SU6KRT3UHV	RBC58-3US
SU6KRT3UX	RBC58-3US
SU6KRT3UG	RBC58-3US
SU6KRT3UHW	RBC58-3US

Para los procedimientos de extracción e instalación de la batería, consulte los diagramas siguientes.

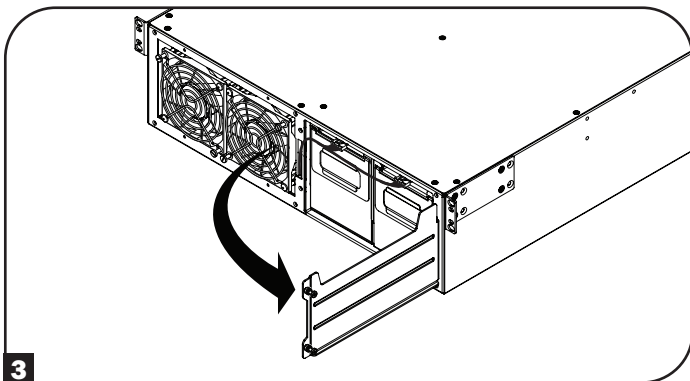
- 1** Retire los seis tornillos frontales del bisel frontal, después retire el bisel del UPS. Cuelgue el bisel en el gancho disponible.



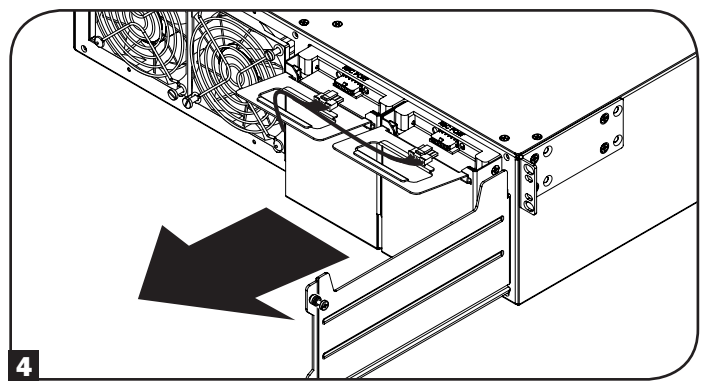
- 2** Afloje los dos tornillos prisioneros que aseguran la puerta de la batería.



- 3** Abra la puerta de la batería.

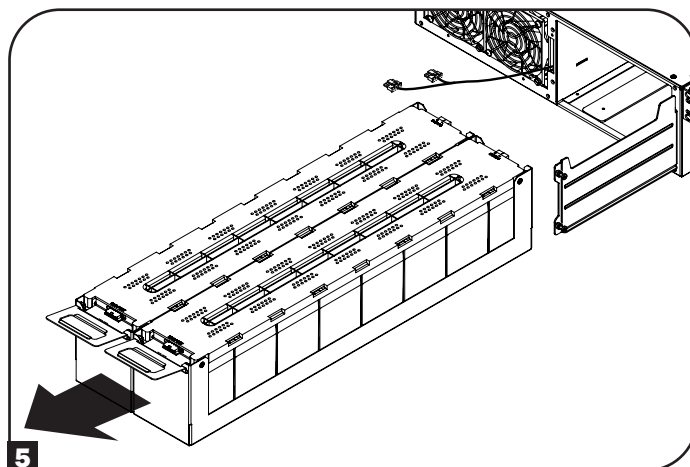


- 4** Con las manijas acopladas a cada bandeja, jale ligeramente las bandejas de baterías viejas y desconecte los cables de comunicación.



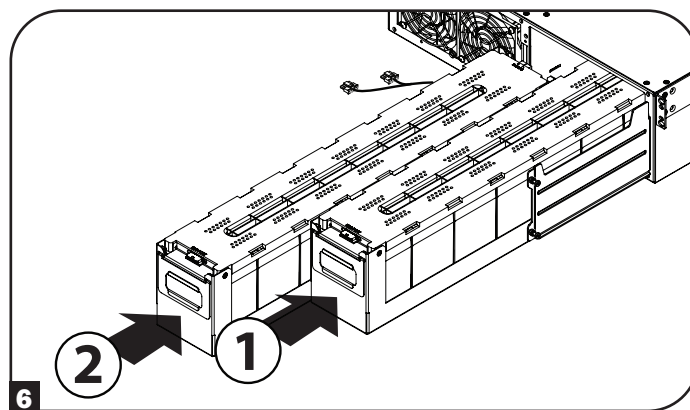
Reemplazo de la Batería Interna

- 5** Una vez que los cables de comunicación han sido desconectados, retire ambas bandejas de baterías viejas del UPS.

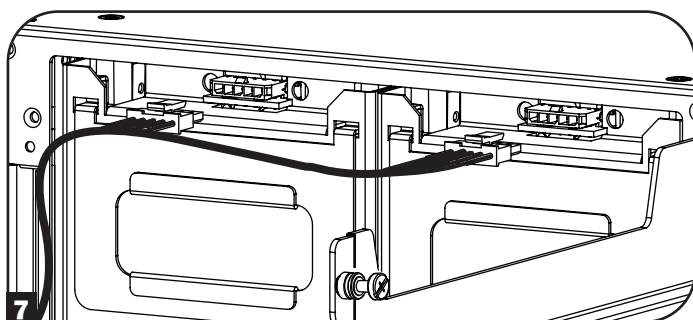


- 6** Al instalar las nuevas baterías de reemplazo, asegúrese de que el extremo del conector rojo y negro de CD esté orientado hacia la parte posterior del UPS y el puerto de comunicación esté orientado hacia el frente del UPS. Comenzando con la bandeja del módulo de baterías de reemplazo del lado derecho, inserte la bandeja del módulo de baterías, asegurándose de que sobresalga ligeramente del UPS. Repita para la bandeja del módulo izquierdo de baterías de reemplazo.

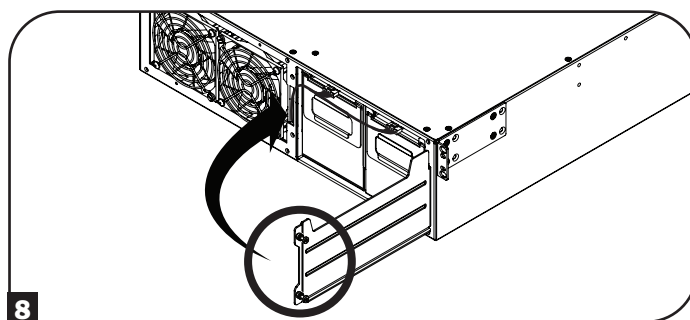
Nota: Para un mejor acceso al conector, conecte los conectores del cable de comunicación antes de que los módulos de baterías estén completamente insertados en el UPS.



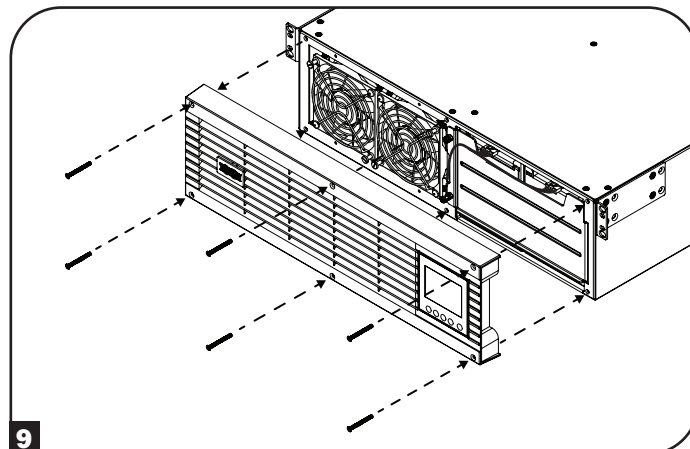
- 7** Vuelva a conectar los cables de comunicación de la batería a las bandejas de baterías y empújelas completamente dentro del UPS.



- 8** Cierre la puerta de la batería y asegúrela apretando los tornillos prisioneros.



- 9** Reinstale el bisel frontal al UPS y asegúrelo con los tornillos retirados en el paso **1**.



Reemplazo del Ventilador

En condiciones normales, la instalación del ventilador original durará varios años. Los conjuntos de ventiladores son reemplazables. Los reemplazos pueden encontrarse en tripplite.com/support.



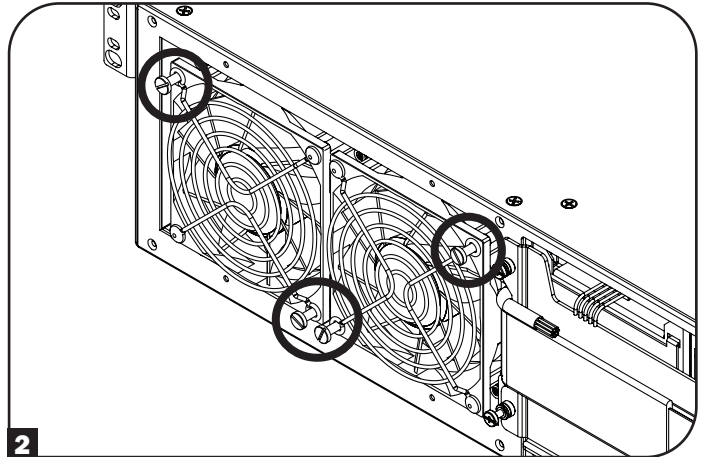
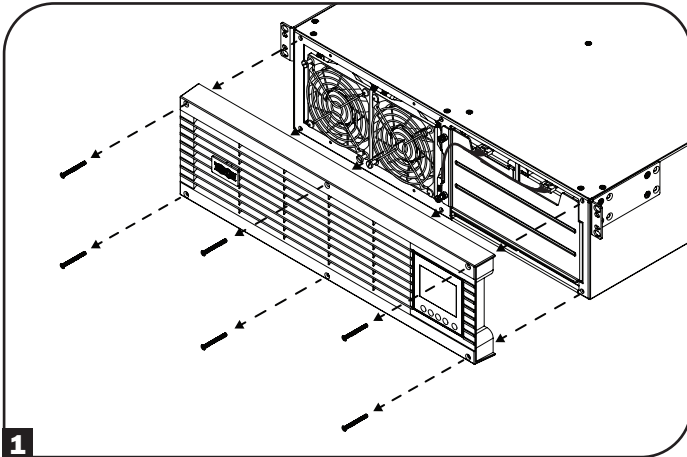
PRECAUCIÓN: el circuito del ventilador no está aislado de la alimentación de CA. Apague el UPS antes de reemplazar el ventilador. El reemplazo del ventilador debe realizarlo solo personal de servicio eléctrico calificado.



Antes de retirar los conjuntos de ventiladores, anote la orientación del ventilador. Para una correcta instalación y conectividad, los ventiladores deben permanecer en su orientación original.

1 Retire los seis tornillos frontales del bisel frontal, después retire el bisel del UPS. Cuelgue el bisel en el gancho disponible.

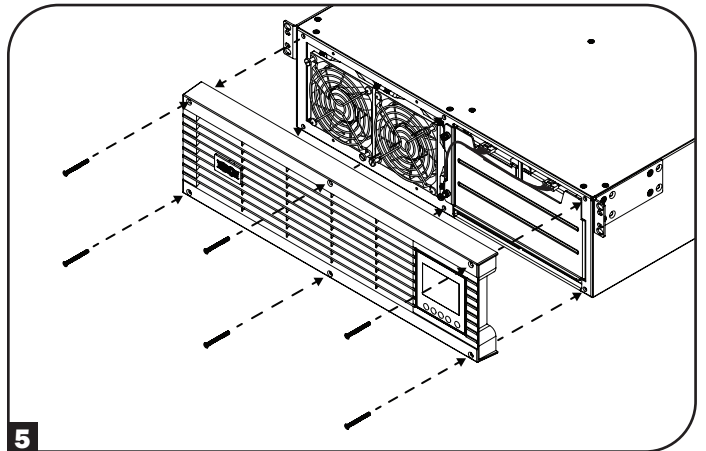
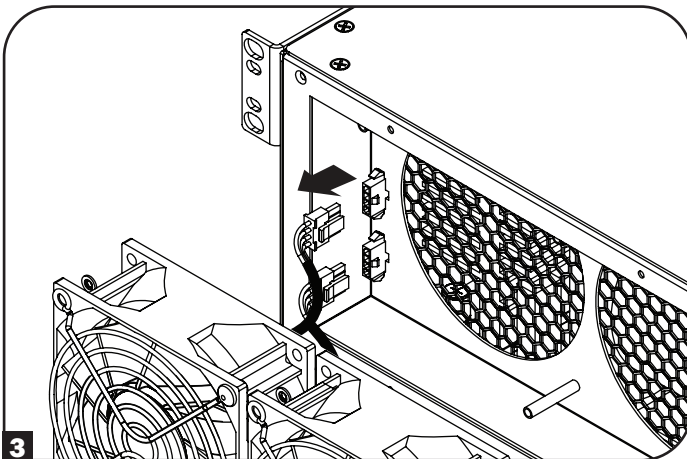
2 Para reemplazar el ventilador del lado izquierdo o el ventilador del lado derecho, use un desatornillador de cabeza plana para retirar el tornillo superior izquierdo y el tornillo inferior derecho acoplado a cada ventilador.



3 Desconecte el(los) cable(s) del ventilador, ubicado(s) a la izquierda de los ventiladores.

4 Instale el(los) ventilador(s) de reemplazo. Conecte el(los) cable(s) en el mismo orden que en el paso 3 y asegure el(los) ventilador(s) al UPS en la misma ubicación y orientación que en el paso 2.

5 Reinstale el bisel frontal al UPS y asegúrelo con los tornillos retirados en el paso 1.



Almacenamiento y Servicio

Almacenamiento

Primero, apague su UPS: oprima el interruptor "OFF" para cortar la energía a las salidas del UPS, entonces desconecte el cable de alimentación del tomacorrientes de la pared. A continuación, desconecte todo el equipo para evitar la descarga de la batería. Si planea almacenar su UPS por un período prolongado, recargue completamente las baterías del UPS trimestralmente conectando el UPS en un tomacorrientes de CA activo y dejándolo cargar por 4 a 6 horas. Si usted deja sus baterías del UPS descargadas por un período prolongado, pueden sufrir una pérdida permanente de capacidad.

Servicio

Su producto Tripp Lite está cubierto por la garantía descrita en este manual. También están disponibles una gran variedad de Programas de Garantía Extendida y Servicio In Situ por parte de Tripp Lite. Para más información sobre el servicio, visite tripplite.com/support. Antes de devolver su producto para servicio, siga estos pasos:

1. Revise los procedimientos de instalación y operación en este manual para cerciorarse de que el problema de servicio no se debe a que leyó mal las instrucciones.
2. Si el problema persiste, no se ponga en contacto con el distribuidor ni le devuelva el producto. En su lugar, visite tripplite.com/support.
3. Si el problema requiere de servicio, visite tripplite.com/support y haga clic en el enlace Devolución de productos. Desde aquí usted puede solicitar un número de Autorización de Devolución de Mercancía (RMA) que se requiere para el servicio. Esta sencilla forma en línea solicitará los números de modelo y serie de su unidad junto con otra información general del comprador. El número de RMA junto con las instrucciones de embarque le serán enviadas por correo electrónico. Cualquier daño (directo, indirecto, especial o derivado) al producto incurrido durante el embarque a Tripp Lite o un Centro de Servicio Autorizado de Tripp Lite no está cubierto bajo la garantía. Los productos enviados a Tripp Lite o un Centro de Servicio Autorizado de Tripp Lite deben tener cargos de transporte prepagados. Marque el número de RMA en el exterior del empaque. Si el producto está dentro del período de garantía, adjunte una copia de su recibo de venta. Devuelva el producto para servicio a través de un transportista asegurado a la dirección que se le proporcionó cuando solicitó la RMA.

Garantía

Garantía Limitada por 2 Años

TRIPP LITE garantiza por un período de dos años a partir de la fecha de compra inicial que sus productos, incluidas las baterías, no tienen defectos de materiales ni de mano de obra. Después de 90 días a partir de la fecha de compra, la obligación de TRIPP LITE bajo esta garantía está limitada a reemplazar piezas en dichos productos defectuosos. Para obtener servicio bajo esta garantía, debe llamar a TRIPP LITE o a un centro de servicio autorizado de Tripp Lite. Los productos deben ser devueltos a TRIPP LITE o a un centro de servicio autorizado de TRIPP LITE con los cargos de transporte prepagados y deben acompañarse con una breve descripción del problema y un comprobante de la fecha y el lugar de compra. Esta garantía no se aplica a equipos que hayan sido dañados por accidente, negligencia o mal uso, o hayan sido alterados o modificados de alguna manera. Esta garantía se aplica únicamente al comprador original que debe haber registrado correctamente el producto dentro de 10 días de compra con el distribuidor.

Las garantías de todos los supresores de sobretensiones de TRIPP LITE son nulas e inválidas si han sido conectados a la salida de un sistema UPS. Las garantías de todos los Sistemas UPS de Tripp Lite son nulas y sin efecto si se ha conectado un supresor de sobretensiones a sus tomacorrientes.

EXCEPTO COMO SE INDICA EN EL PRESENTE, TRIPP LITE NO OFRECE GARANTÍAS EXPRESAS O IMPLÍCITAS, INCLUIDAS GARANTÍAS DE COMERCIALIZACIÓN Y ADECUACIÓN PARA UN DETERMINADO PROPÓSITO. Algunos estados no permiten la limitación o exclusión de garantías implícitas; por lo tanto, las limitaciones o exclusiones antes mencionadas pueden no aplicarse al comprador.

SALVO POR LO INDICADO ANTERIORMENTE, EN NINGÚN CASO TRIPP LITE ASUMIRÁ RESPONSABILIDAD POR DAÑOS DIRECTOS, INDIRECTOS, ESPECIALES, INCIDENTALES O EMERGENTES QUE SURJAN COMO RESULTADO DEL USO DE ESTE PRODUCTO, INCLUSO SI SE ADVIERTE SOBRE LA POSIBILIDAD DE TAL DAÑO. Específicamente, TRIPP LITE no es responsable por ningún costo, como pérdida de utilidades o ingresos, pérdida de equipos, pérdida del uso de equipos, pérdida de software, pérdida de datos, costos de sustituciones, reclamaciones de terceros o de cualquier otra forma.

Garantía

Especificaciones de FCC para Modelos con Aprobación FCC Clase A:

Este dispositivo cumple con la parte 15 del Reglamento de la FCC. La operación está sujeta a las dos condiciones siguientes: (1) Este dispositivo no puede causar interferencia dañina, y (2) este dispositivo debe aceptar cualquier interferencia recibida, incluso interferencia que pueda causar una operación indeseable.

Nota: Este equipo ha sido probado y se encontró que cumple con los límites para un dispositivo digital Clase A, de acuerdo con la parte 15 de los Reglamentos de FCC. Estos límites están diseñados para proporcionar una protección razonable contra interferencia dañina cuando el equipo opere en un entorno comercial. Este equipo genera, usa y puede radiar energía de radiofrecuencia y, si no se instala y usa de acuerdo con el manual de instrucciones, puede causar interferencia dañina a las radiocomunicaciones. La operación de este equipo en un área residencial es probable que cause interferencia dañina en cuyo caso se solicitará al usuario corregir la interferencia a su costa. El usuario debe usar cables y conectores blindados con este equipo. Cualquier cambio o modificación en este equipo que no esté aprobado expresamente por Tripp Lite puede invalidar la autoridad del usuario para operarlo.

Especificaciones EMC para Modelos con Aprobación EMC Categoría C2 (Modelos Selectos):

ADVERTENCIA: Este es un producto UPS categoría C2. En un ambiente residencial, este producto puede causar radio interferencia, en cuyo caso puede requerirse al usuario tomar medidas adicionales.

Información de Cumplimiento con WEEE para Clientes y Recicladores de Tripp Lite (Unión Europea)



Conforme a la Directiva de Residuos de Equipos Eléctricos y Electrónicos (WEEE) y regulaciones aplicables, cuando los clientes adquieren un equipo eléctrico y electrónico nuevo de Tripp Lite están obligados a:

- Enviar equipos viejos para reciclaje del mismo tipo y en la misma cantidad (esto varía de un país a otro)
- Enviar el equipo nuevo para reciclaje una vez que finalmente quede en desuso

Aviso de Parte 68 de FCC (Solo Estados Unidos)

Si su protección de Fax / Módem causa daño a la red telefónica, la compañía telefónica puede discontinuar temporalmente su servicio. Si es posible, le notificarán por anticipado. Si el aviso anticipado no es práctico, usted será notificado tan pronto sea posible. Usted será notificado de su derecho a presentar un reclamo ante la FCC. Su compañía telefónica puede hacer cambios en sus instalaciones, equipo, operaciones o procedimientos que pudieran afectar la operación adecuada de su equipo. Si lo hace, usted tendrá una notificación anticipada para darle oportunidad para mantener un servicio ininterrumpido. Si experimenta problemas con la protección de Fax / Módem de este equipo, por favor visite tripplite.com/support para información sobre reparaciones/garantía. La compañía telefónica puede solicitarle desconectar el equipo de la red hasta que se haya corregido el problema o usted esté seguro que el equipo no está funcionando mal. No hay reparaciones que pueda realizar el usuario a la protección de Fax / Módem. Este equipo no puede usarse en servicios por monedas proporcionados por la compañía telefónica. La conexión a líneas de partes está sujeta a las tarifas estatales. (Para información, póngase en contacto con la comisión de servicios públicos o la comisión para corporaciones.)

Reciclaje de la batería y el UPS



Pb

Por favor, recicle los Productos de Tripp Lite. Las baterías usadas en los productos de Tripp Lite son baterías selladas de plomo ácido. Estas baterías son altamente reciclables. Para los requisitos de desecho, consulte sus códigos locales.

Para reciclado puede llamar a Tripp Lite al +1.773.869.1234.

Puede acudir al sitio web de Tripp Lite en busca de información actualizada sobre el reciclaje de baterías o cualquier producto de Tripp Lite. Siga este enlace: tripplite.com/en/support/recycling-program.cfm

Tripp Lite tiene una política de mejora continua. Las especificaciones están sujetas a cambio sin previo aviso. Las fotografías e ilustraciones pueden diferir ligeramente de los productos reales.



Manuel de l'utilisateur

SmartOnline®

Onduleur en ligne pour montage en bâti monophasé
avec écran ACL de surveillance et de contrôle intégré

Ne convient pas aux applications mobiles.

Modèles :

**SU5KRT3UHV, SU5KRT3UX, SU5KRT3UG, SU5KRT3UHW,
SU6KRT3UHV, SU6KRT3UX, SU6KRT3UG, SU6KRT3UHW**

(numéro de série : AG-0358)

1. Vue d'ensemble	70	6. Opérations	82
Liste des pièces	70	Écran ACL et commandes du	82
Options d'accessoires additionnels	70	panneau avant	
2. Consignes de sécurité importantes	70	Voyants à DEL du panneau avant	82
3. Schéma du bloc de circuit de l'onduleur	73	Fonctions des boutons du	83
4. Installation	74	panneau avant	
Rotation de la batterie interne	74	Disposition de l'écran d'accueil	83
Montage en bâti	76	Connexion de base et démarrage	84
Montage en tour	77	Options de sélection pour la	87
Entrée et sortie à raccordement	78	stratégie d'alimentation	
fixe Instructions de câblage		Sélection de l'écran ACL du	89
(facultatif avec certains modèles)		panneau avant et options	
Vue d'ensemble de l'entrée et de	79	de configuration	
la sortie de l'onduleur		Configuration des modules	92
5. Caractéristiques	79	de batteries externes	
Commandes du panneau avant,	79	7. Connexions optionnelles	93
voyants à DEL et Écran ACL		8. Dépannage et registre	96
Caractéristiques du panneau arrière	80	d'événements	
		9. Remplacement des batteries	98
		internes	
		10. Remplacement du ventilateur	100
		11. Entreposage et entretien	101
		12. Garantie	101
		English	1
		Español	35
		Русский	103

REMARQUE : Les options de batterie externe doivent être configurées à l'aide de l'interface de l'écran ACL du panneau avant ou en utilisant le logiciel de Tripp Lite « EXTERNAL BATTERY CONFIGURATION » (configuration de la batterie externe).



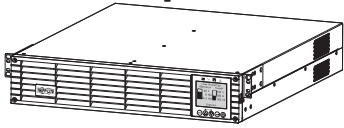
1111 W. 35th Street, Chicago, IL 60609 USA • tripplite.com/support

Droits d'auteur © 2020 Tripp Lite. Tous droits réservés. SmartOnline® est une marque de commerce enregistrée de Tripp Lite.
Pour obtenir les mises à jour les plus récentes, visiter tripplite.com.

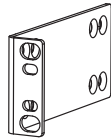
Vue d'ensemble

Les onduleurs pour montage en bâti SmartOnline de Tripp Lite avec interface d'écran ACL interactive comprennent une protection en ligne de double conversion de l'onduleur avec une sortie continue d'onde sinusoïdale et aucun délai de transfert, convenable à toutes les applications de mise en réseau avancées. Chaque onduleur fournit un support de longue durée des batteries avec une capacité optionnelle de fonctionnement prolongé et de communications Web. Les interfaces intégrées incluent Micro-USB, en série RS-232, mise hors tension d'urgence (EPO), mise sous/hors tension à distance (ROO) et un port de batterie Smart RJ-11. L'écran interactif ACL du panneau avant donne les détails de l'état de l'onduleur et des options de commandes et de pré-réglage. Les options de stratégie d'efficacité maximale et d'alimentation auto-adaptative facultatives permettent un fonctionnement à rendement élevé avec une consommation de puissance et un dégagement de chaleur BTU réduits.

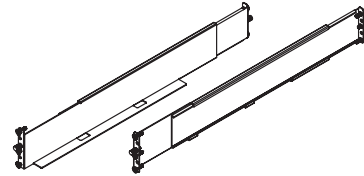
Liste des pièces



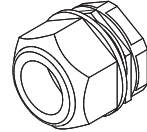
Onduleur



Ailettes de montage boulonnées
(2)



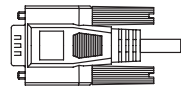
Ensemble de rail à 4 montants



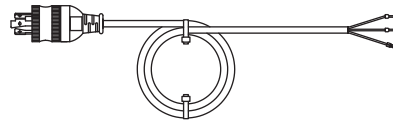
Réducteurs de tension à
raccordement fixe (2)



Câble USB (1)



Câble RS-232 (1)



(certains modèles) Cordon de
la puissance d'entrée CA avec
fiche L6-30P (1)



Manuel de l'utilisateur

Accessoires en option (non inclus)

- 2POSTRMKITWM : prend en charge l'onduleur à montage en bâti et les modules de batteries dans une configuration à montage en bâti à 2 montants ou à montage mural
- 2-9USTAND : prend en charge l'onduleur à montage en bâti et les modules de batteries dans une configuration en tour verticale
- Module de batterie « SMART » externe BP192V12RT3US : prolonge la durée de fonctionnement de l'onduleur

⚠️ Consignes de sécurité importantes

CONSERVER CES INSTRUCTIONS

Ce manuel contient des instructions et des avertissements importants qui devraient être respectés pendant l'installation, l'utilisation, l'entretien et l'entreposage de tous les onduleurs et de toutes les batteries Tripp Lite. Le non-respect de ces avertissements pourrait nuire à la garantie.

Explication des symboles



Mise en garde — risque de danger



Chaud — risque de surchauffe



Risque de décharges électriques



Mise à la terre de protection



Mise à la terre



Recyclable — contient du plomb

Consignes de sécurité importantes

Mises en garde concernant le placement de l'onduleur

- Cet onduleur est conçu pour être utilisé à l'intérieur, dans un endroit relativement exempt de contaminants conducteurs où la température est régulée. Installer l'onduleur à l'intérieur, à l'écart de l'humidité ou de la chaleur, des contaminants conducteurs, de la poussière ou de la lumière directe du soleil.
- Maintenir la température intérieure entre 0 et 40 °C (32 et 104 °F).
- Laisser suffisamment de place autour de l'onduleur pour avoir une bonne ventilation.
- L'onduleur fournit des prises multiples pratiques, mais il ne FOURNIT PAS de protection contre les surtensions ou les bruits de ligne pour l'équipement connecté lorsqu'il se trouve en mode de dérivation.
- Ne pas installer l'appareil avec son panneau avant ou arrière bloqué. Monter le système de cette façon aurait pour effet de bloquer le système de refroidissement interne de l'appareil, causant ainsi des dommages sérieux et non couverts par la garantie.

Avertissements concernant l'installation et la connexion de l'onduleur

Tous les modèles



MISE EN GARDE : L'installation doit être confiée uniquement à du personnel du service électrique professionnel qualifié.

- Installer conformément aux normes du Code national de l'électricité. S'assurer d'utiliser la bonne protection contre les surintensités pour l'installation, conformément aux valeurs nominales de la fiche et de l'équipement.
- S'assurer d'utiliser un disjoncteur en amont avec un C curve.
- La protection contre les surintensités sera assurée dans les applications finales qui ont été installées en accord avec les réglementations de câblage locales et nationales.
- Une protection de secours contre les courts-circuits et une protection contre les surintensités sont fournies par les installations du bâtiment, dans la configuration à raccordement fixe (modes dérivation et économie).
- Installer à une hauteur n'excédant pas 1 m (3,3 pi).
- L'équipement est conçu pour être utilisé sur un système de distribution de l'alimentation TN-S.

Certains modèles équipés d'une fiche L6-30P



MISE EN GARDE : Pour réduire les risques d'incendie, raccorder uniquement à un circuit fourni avec une protection contre les surcharges du circuit de dérivation maximum de 30 A conformément au National Electrical Code (NEC), ANSI/NFPA 70 ou au code canadien de l'électricité, partie I, C22.1.

- La fiche L6-30P du secteur CA sert de dispositif de déconnexion. Les prises électriques qui alimentent l'équipement doivent être installées à proximité de l'équipement et être facilement accessibles. Sinon, un dispositif de déconnexion local doit être fourni.
- NE PAS utiliser l'option d'entrée d'alimentation CA à raccordement fixe lorsqu'une fiche L6-30P est présente. Le non-respect de cette consigne pourrait causer une situation dangereuse catastrophique.
- Lorsque la sortie CA à raccordement fixe est utilisée, une protection appropriée contre les surintensités pour la sortie doit être fournie.

Certains modèles à raccordement fixe



MISE EN GARDE : Pour réduire les risques d'incendie, raccorder uniquement à un circuit fourni avec une protection contre les surcharges du circuit de dérivation maximum conformément au National Electrical Code (NEC), ANSI/NFPA 70 ou au code canadien de l'électricité, partie I, C22.1. Consulter le tableau « Vue d'ensemble de l'entrée et de la sortie de l'onduleur » dans la section **Installation** pour plus de renseignements.

- Utiliser des conducteurs en cuivre avec des fils cotés pour 105 °C seulement. Consulter le tableau « Vue d'ensemble de l'entrée et de la sortie de l'onduleur » dans la section **Installation** pour la configuration recommandée pour l'entrée et la sortie.
- Pour les modèles dotés d'une connexion de sortie à raccordement fixe permanente, une protection contre les surintensités doit être fournie dans l'installation pour l'utilisation finale. Utiliser une protection contre les surintensités de section nominale de sortie n'excédant pas la puissance nominale de sortie de l'onduleur. Lorsque des prises avec une protection contre les surintensités de section nominale moindre sont fournies, la protection contre les surintensités doit correspondre à la valeur nominale des prises.
- En Europe, le disjoncteur doit respecter la norme IEC/EN 60934 et avoir un entrefer de contact d'au moins 3 mm.
- Lorsque la sortie CA à raccordement fixe est utilisée, une protection appropriée contre les SURINTENSITÉS POUR LA SORTIE doit être fournie par l'installateur. S'assurer d'utiliser des disjoncteurs à section nominale qui correspondent à la valeur nominale des prises/de l'équipement protégés. Utiliser un ou plusieurs disjoncteurs avec un C curve.
- Un dispositif de déconnexion à deux pôles approprié et facilement accessible doit être incorporé dans le câblage fixe.
- En Europe, la connexion du secteur CA est L, N, PE (GND). S'assurer de raccorder le L au connecteur sous tension et N au connecteur neutre.
- Ne jamais essayer d'installer un équipement électrique pendant un orage.
- Ne pas tenter d'utiliser cet équipement si l'une de ses pièces est endommagée.
- L'équipement individuel connecté à l'onduleur ne doit pas excéder la charge nominale des prises individuelles.
- La charge totale connectée à l'onduleur ne doit pas excéder la charge nominale maximum pour l'onduleur.
- Ne pas tenter de modifier l'onduleur, le boîtier, les fiches d'entrée ou les câbles d'alimentation.
- Ne pas tenter d'utiliser l'onduleur si une de ses pièces est endommagée.



Consignes de sécurité importantes

Avertissements liés au branchement de l'équipement

- Ne pas brancher de parasurtenseurs ni de rallonges sur la sortie de l'onduleur. Cela risquerait d'endommager l'onduleur et d'avoir une incidence sur les garanties de l'onduleur et du parasurtenseur.
- La charge totale connectée à l'onduleur ne doit pas excéder la charge nominale maximum de la plaque signalétique.
- Il n'est pas recommandé d'utiliser cet équipement pour des appareils de survie où une défaillance de cet équipement peut, selon toute vraisemblance, entraîner la défaillance de l'appareil de maintien de la vie ou nuire de façon majeure à sa sécurité ou son efficacité. Ne pas utiliser cet équipement dans des endroits où l'air est enrichi d'oxygène ou à moins de 0,3 m (1 pi) de l'endroit où l'air enrichi d'oxygène est intentionnellement ventilé.

Avertissement concernant le remplacement du ventilateur



S'assurer que l'onduleur est hors tension, c.-à-d. qu'il est désactivé avant de remplacer le ventilateur. Le non-respect de cette consigne pourrait causer une surchauffe et déclencher un arrêt thermique.



MISE EN GARDE : La circuiterie du ventilateur n'est pas isolée du secteur CA. Couper l'alimentation vers l'onduleur avant de remplacer le ventilateur. Le remplacement du ventilateur doit être confié à du personnel du service électrique qualifié.



Avertissements portant sur les batteries

- Il n'existe aucune pièce réparable par l'utilisateur à l'intérieur de l'onduleur.
- La rotation des batteries doit être confiée à du personnel du service électrique qualifié.
- Le remplacement des batteries devrait être confié uniquement à un personnel d'entretien qualifié.
- Le remplacement des batteries devrait être effectué ou supervisé par du personnel compétent dans le domaine des batteries et en tenant compte des mesures de sécurité appropriées.
- Au moment de remplacer les batteries, les remplacer avec le même type et le même nombre de batteries ou de modules de batteries.

MISE EN GARDE : Ne pas jeter les batteries dans le feu. Les batteries risqueraient d'exploser.

MISE EN GARDE : Ne pas ouvrir ou endommager les batteries. Les électrolytes dégagés sont dangereux pour la peau et les yeux. Ils peuvent être toxiques.

MISE EN GARDE : une batterie peut présenter un risque de décharge électrique et un courant élevé du court-circuit. Tout contact avec une partie d'une batterie mise à la terre pourrait causer une décharge électrique. Les précautions suivantes doivent être observées lorsque l'on manipule les batteries :

- Enlever les montres, les bagues ou tout autre objet métallique.
- Utiliser des outils ayant des poignées isolées.
- Porter des gants et des bottes en caoutchouc.
- Ne pas déposer d'outils ou de pièces métalliques sur les batteries.
- Ne pas créer de court-circuit ou de pont entre les bornes de la batterie avec un objet quelconque.
- Retirer les mises à la terre de la batterie pendant l'installation et l'entretien pour réduire la probabilité de décharge.
- Retirer la connexion à la masse s'il est déterminé qu'une pièce de la batterie est mise à la masse.



Avertissements liés aux batteries externes

- Connecter le fil de mise à la terre de la batterie externe avant de connecter la batterie externe à l'onduleur.
- Pour la configuration de la batterie externe, consulter la section Opérations pour des options et une méthode de configuration. Les modules de batteries Smart sont automatiquement détectés par l'onduleur.
- Le remplacement des fusibles doit être confié uniquement à du personnel autorisé par le fabricant. Les fusibles de remplacement doivent être de même valeur nominale et de même type.
- Pour un fonctionnement prolongé, utiliser uniquement des modules de batteries compatibles Tripp Lite :
 - Module de batteries externes BP192V12RT3US



Consignes de sécurité importantes

Remplacement et recyclage des batteries



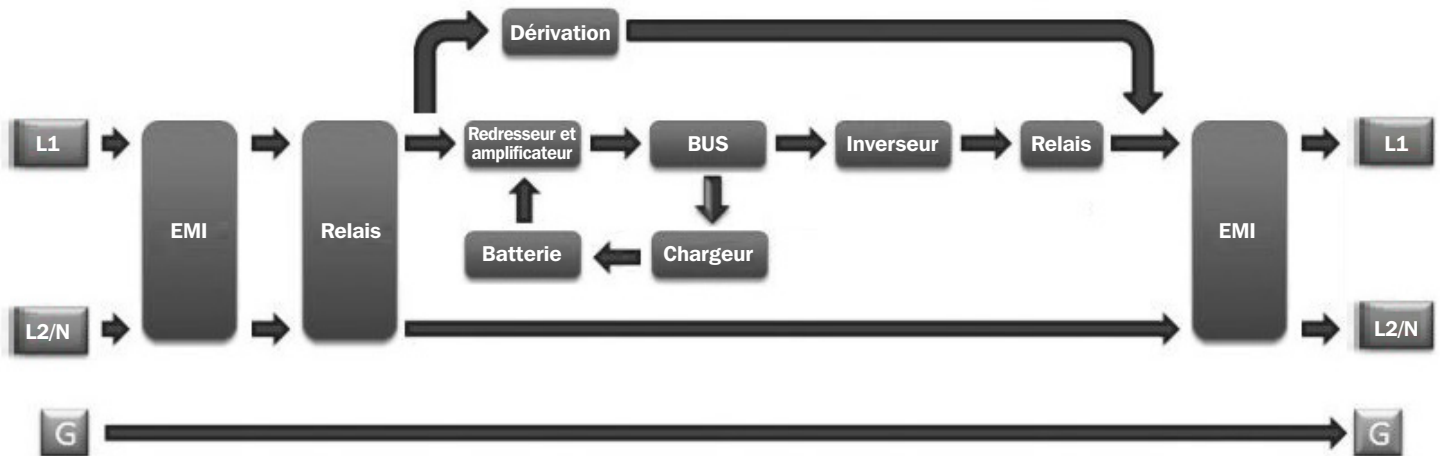
Les produits Tripp Lite utilisent des batteries au plomb-acide scellées qui sont hautement recyclables. Consulter les codes locaux pour les exigences sur l'élimination. Appeler Tripp Lite au 773 869-1234 ou visiter tripplite.com/support/recycling-program pour de plus amples informations sur le recyclage des batteries ou tout autre produit Tripp Lite.

Tripp Lite offre une gamme complète de cartouches de batterie de remplacement pour onduleur (R.B.C.). Visiter Tripp Lite sur le Web à tripplite.com/products/battery-finder/ pour trouver la batterie de remplacement qui correspond à l'onduleur.

Avertissements en matière d'entretien

- L'onduleur ne contient aucune pièce réparable par l'utilisateur. Ne pas démonter.

Schéma du bloc de circuit de l'onduleur



Installation

Rotation de la batterie interne

L'onduleur est expédié avec les batteries déconnectées et dans une orientation inversée. Avant de monter l'onduleur sur un bâti à 2 ou à 4 montants, retirer d'abord les supports de batteries et les mettre de côté. Pour retirer les batteries de l'onduleur, suivre les instructions ci-dessous.



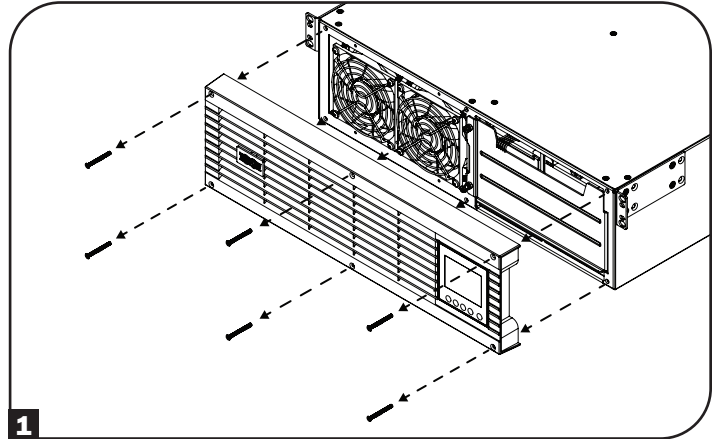
Si un module de batteries externes est utilisé, il doit être installé en premier dans la partie inférieure du bâti. S'assurer de suivre les instructions pour la Configuration des modules de batteries externes dans ce manuel et dans le Manuel de l'utilisateur BP192V12RT3US avant de procéder à l'installation de l'onduleur.



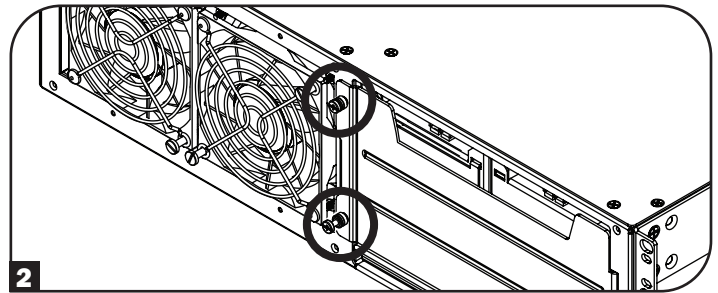
AVERTISSEMENT! La rotation des batteries doit être confiée à du personnel du service électrique qualifié.

- 1** Retirer les six vis avant du cadre avant, puis rétracter le cadre de l'onduleur. Suspendre le cadre sur le crochet disponible.

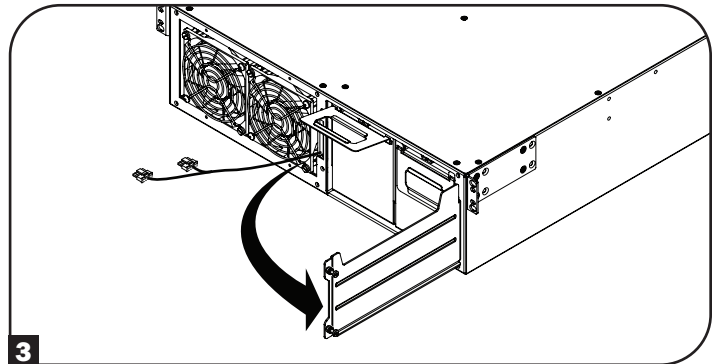
Remarque : L'écran du panneau avant comporte un câble plat fixé en place qui s'étend de l'onduleur au cadre avant. S'assurer de garder ce câble à l'écart au moment d'ouvrir le volet de la batterie ou utiliser un tournevis pour détacher l'écran du cadre.



- 2** Desserrer les deux vis imperdables retenant le volet de la batterie.

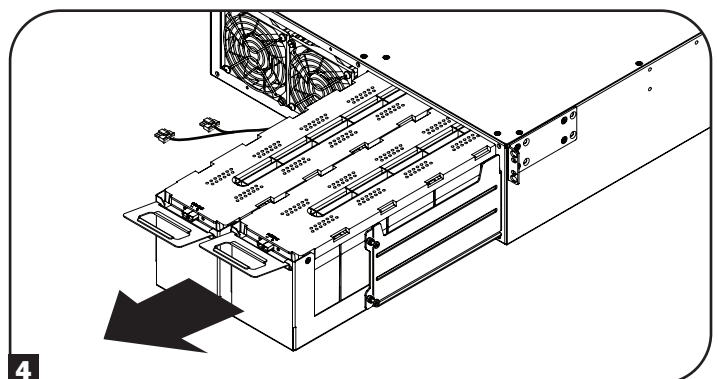


- 3** Ouvrir le volet de la batterie. S'assurer que le câble de communication de la batterie Smart se trouve à l'écart de façon sécuritaire au moment d'ouvrir le volet de la batterie et de retirer les supports de batterie.



- 4** En utilisant les poignées fixées à chaque support, retirer les supports de module de batteries. S'assurer de retirer les poignées avant de faire la rotation des batteries (voir l'étape suivante), puis installer les poignées sur le côté opposé.

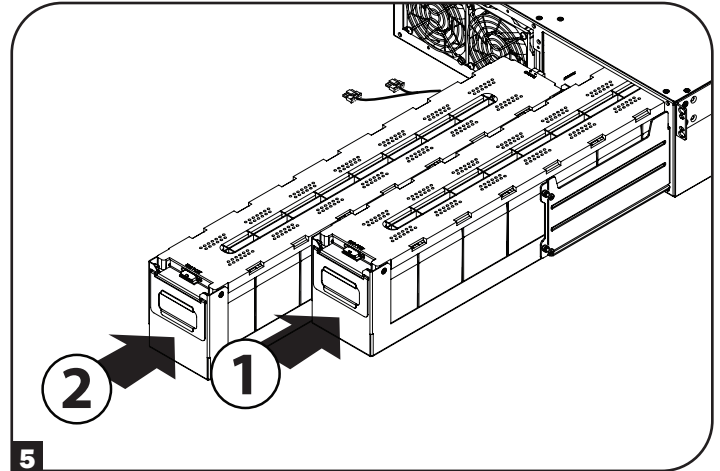
Remarque : Pour réduire le poids de l'onduleur pendant l'installation, il est recommandé de procéder aux instructions de montage à 4 montants ou à 2 montants dans la section **Montage en bâti** avant de procéder à la rotation, à la réinstallation et à la connexion des supports de module de batteries.



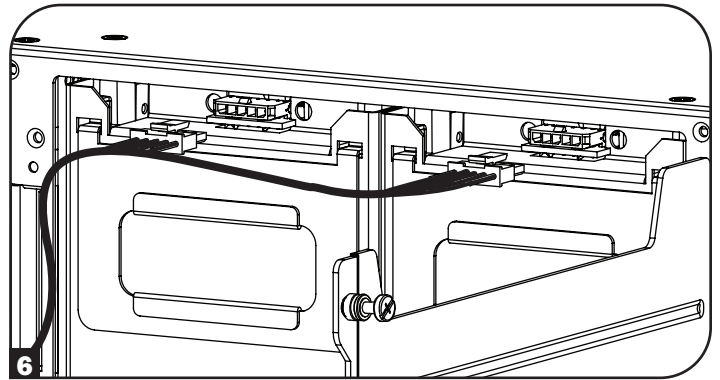
Installation

- 5** Chaque support de batterie utilise un connecteur CC à enfichement aveugle. Positionner chaque support de module de batteries de sorte que l'extrémité CC rouge et noir du connecteur soit tournée vers l'arrière de l'onduleur et que le port de communication soit tourné vers l'avant de l'onduleur. En commençant avec le support de batteries du côté droit, insérer le support de module de batteries en s'assurant qu'il dépasse légèrement de l'onduleur. Répéter pour le support de batteries du côté gauche.

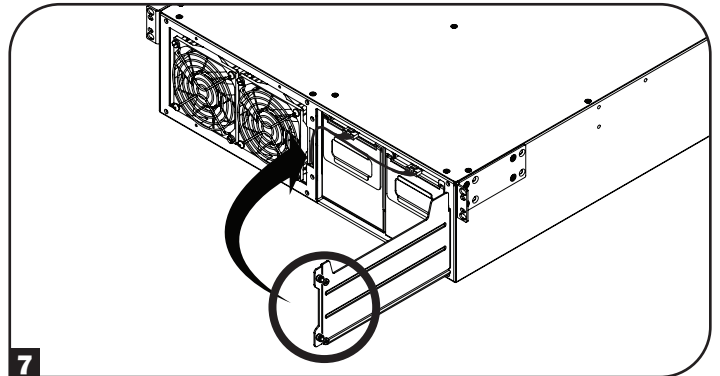
Remarque : Pour un meilleur accès au connecteur, fixer les câbles avant d'insérer complètement les modules de batteries dans l'onduleur.



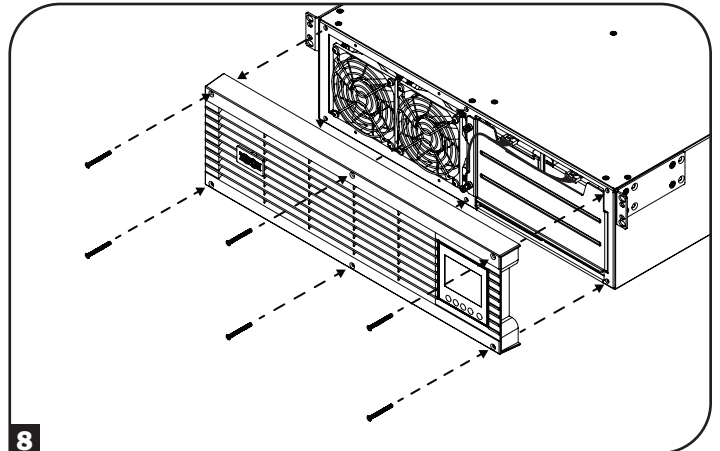
- 6** Connecter le câble de communication de la batterie à chaque support de batteries, puis pousser les supports de batteries complètement à l'intérieur de l'onduleur.



- 7** Fermer le volet de batterie, puis le retenir en place en serrant les vis imperdables.



- 8** Rattacher le cadre avant à l'onduleur, puis le retenir avec les vis retirées à l'étape **1**.



Installation

Montage en bâti

Monter l'équipement dans un bâti à 2 ou 4 montants ou dans une enceinte pour bâti. L'utilisateur doit déterminer l'aptitude des matériaux et des procédures avant le montage. Si le matériel et les procédures ne conviennent pas à l'application, communiquer avec le fabricant du bâti ou de l'enceinte pour bâti. Les procédures décrites dans ce manuel visent les types communs de bâtis et d'enceintes pour bâti, elles peuvent ne pas convenir à toutes les applications.

MISE EN GARDE : L'équipement doit être installé dans les rails du bâti à une hauteur <1 m (36 po).



Si un module de batteries externes est utilisé, il doit être installé en premier dans la partie inférieure du bâti. S'assurer de suivre les instructions pour la Configuration des modules de batteries externes dans ce manuel et dans le Manuel de l'utilisateur BP192V12RT3US avant de procéder à l'installation de l'onduleur.

Montage à 4 montants

- 1 Les chevilles en plastique incluses **A** supporteront temporairement les étagères pour bâtis vides **B** pendant l'installation de la quincaillerie de montage permanente. Insérer une cheville dans le troisième trou depuis le dessus de l'extrémité avant de chaque support. À l'extrémité arrière, insérer une cheville dans le trou central. (Chaque support avant comporte 6 trous et chaque support arrière comporte 5 trous.) Les chevilles s'enclenchent en position.

Après avoir installé les chevilles, allonger chaque étagère jusqu'à ce qu'elles correspondent à la profondeur des rails des bâtis. Les chevilles s'adapteront à travers les trous carrés dans les rails des bâtis pour soutenir les étagères. Se reporter aux étiquettes des bâtis pour confirmer que les étagères sont au niveau dans toutes les directions.

Remarque : Le rebord du support de chaque étagère doit être tourné vers l'intérieur.

- 2 Retirer les chevilles de l'extrémité avant de chaque support. Retenir les étagères **B** aux rails de montage de façon permanente en utilisant les vis et les rondelles à collerette incluses **C** comme illustré. Placer 2 vis à l'avant de chaque rail (4 au total) et 2 vis à l'arrière de chaque rail (4 au total). Serrer toutes les vis avant de continuer.

Remarque : Les chevilles arrière peuvent être laissées pour l'installation, mais les chevilles avant doivent être retirées avant de retenir le support en place avec des vis.

AVERTISSEMENT!

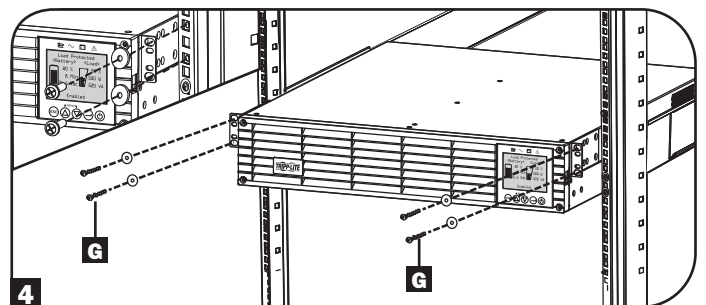
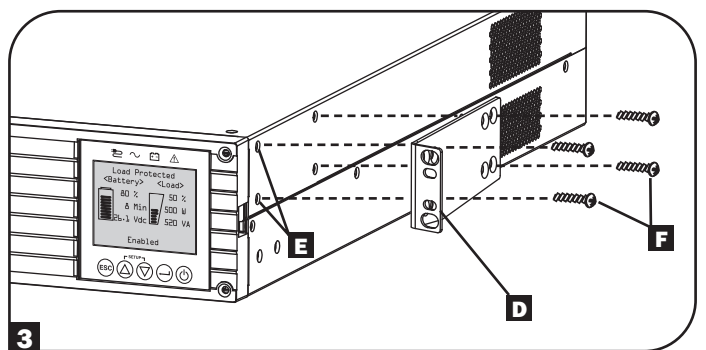
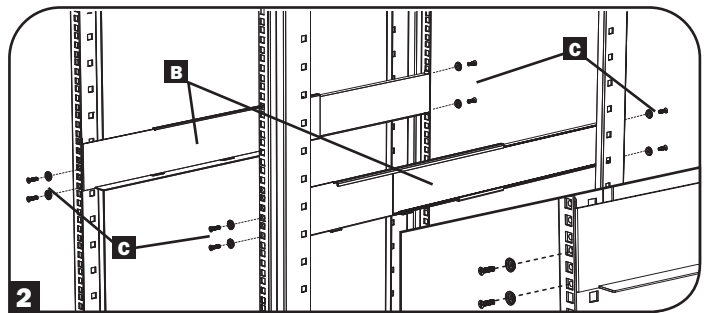
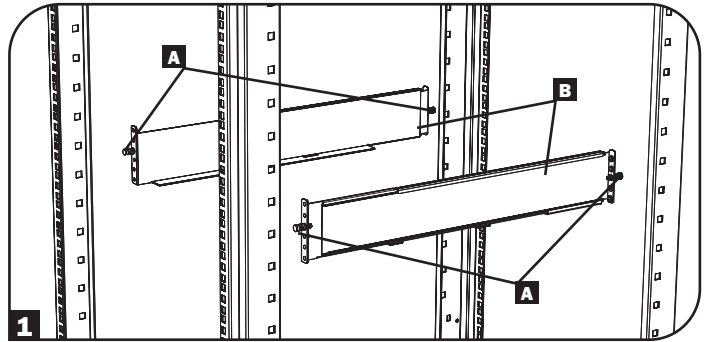
Ne pas tenter d'installer l'onduleur avant d'avoir inséré et serré les vis requises. Les chevilles en plastique ne supporteront pas le poids de l'onduleur.

- 3 Fixer les supports de montage de l'onduleur **D** aux trous de montage avant **E** de l'onduleur en utilisant la quincaillerie incluse **F**. Les « ailettes » du support de montage doivent être dirigées vers l'avant.

Remarque : Il est recommandé de retirer les batteries internes de l'onduleur avant l'installation. Cela éliminera l'excès de poids et permettra une manipulation plus sécuritaire.

- 4 En faisant appel aux services d'un assistant, soulever l'onduleur et le glisser sur les étagères. Fixer les ailettes de montage de l'onduleur aux rails de montage avant avec des vis et des rondelles fournies par l'utilisateur **G**. Serrer toutes les vis fermement en place.

Remarque : Pour installer les supports de module de batteries dans l'onduleur, consulter les instructions 5 à 8 dans la section **Rotation de la batterie interne**.



Installation

Montage à 2 montants

Si l'onduleur 2U est monté dans un bâti à 2 montants, l'ajout d'une trousse d'installation de montage en bâti à 2 montants Tripp Lite (modèle : 2POSTRMKITWM, vendu séparément) est requis. Consulter le manuel du propriétaire de la trousse d'installation pour le

processus d'installation.

Montage en tour

L'onduleur peut être monté dans une position en tour verticale avec les supports optionnels vendus séparément par Tripp Lite (modèle : 2-9USTAND). Lorsque l'onduleur est monté sur des supports réglables, s'assurer que le panneau de l'écran ACL est orienté vers le haut.



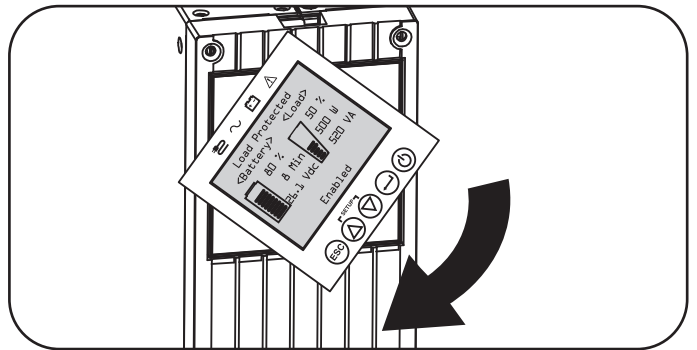
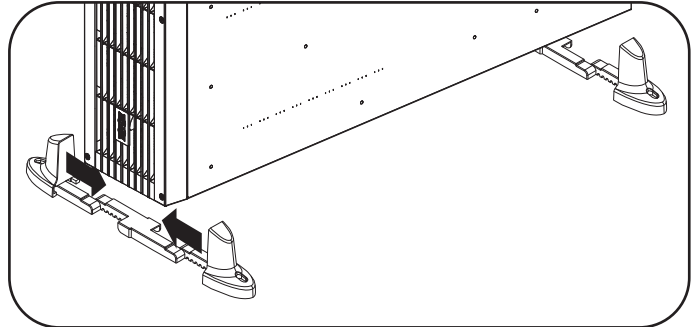
AVERTISSEMENT!

Tous les onduleurs sont excessivement lourds. La prudence est de rigueur au moment de le soulever et de le monter. L'utilisateur doit correctement stabiliser l'onduleur avant de le lever ou de le monter.

Le panneau de l'écran ACL peut être tourné pour une meilleure visualisation pendant que l'onduleur se trouve en position verticale. Pour effectuer une rotation, insérer un petit tournevis ou un outil à bord plat dans les fentes sur l'un des côtés du panneau de l'écran ACL. Retirer le panneau, le faire tourner en conséquence, puis l'enclencher en place.



AVERTISSEMENT : La circuiterie de l'écran n'est pas isolée. La rotation de l'écran doit être confiée à du personnel du service électrique qualifié.



NOTE SUR LA CONFIGURATION DE LA BATTERIE EXTERNE

Si des batteries externes sont utilisées avec cet onduleur, les installer en suivant les instructions de montage/installation fournies avec chaque batterie.

Ces onduleurs SmartOnline prennent en charge la détection automatique de jusqu'à quatre modules de batteries Smart compatibles Tripp Lite. Chaque module de batteries Smart inclut une liaison de données câblées qui permet la détection et la configuration automatiques de jusqu'à quatre modules de batteries externes Smart à l'onduleur. Si plus de quatre modules de batteries doivent être configurés, tous les modules doivent être configurés via le logiciel de configuration des batteries externes de Tripp Lite se connectant par le biais du port de série de l'onduleur. Dans cette configuration, ne pas connecter les câbles de communication de la batterie Smart aux modules de batteries externes.

Installation

Instructions de câblage de l'entrée et de la sortie à raccordement fixe (facultatif pour certains modèles)

Remarque : Le couple de serrage est 1 N•m (10 lb•po).

MISE EN GARDE : Ce type de connexion doit être confiée uniquement à du personnel du service électrique professionnel qualifié. Au moment de faire les connexions, s'assurer que l'alimentation du secteur vers l'onduleur est coupée (OFF). Connecter les fils de mise à la terre depuis les câbles vers la prise de terre du châssis. Toujours connecter le fil de mise à la terre en premier.

S'assurer de respecter la configuration de la ligne d'entrée, le disjoncteur et l'AWG du fil tels que décrits dans le tableau **Vue d'ensemble de l'entrée et de la sortie de l'onduleur**, exposés en détails dans cette section.

Remarque : Certains modèles incluent un cordon d'entrée CA avec une fiche L6-30P. Si ce cordon CA est utilisé, la valeur nominale de la capacité de l'entrée/de la sortie de tension de l'onduleur changera. Consulter la plaque signalétique de l'onduleur pour de plus amples informations.

1. Retirer le couvercle d'accès qui se trouve sur le côté droit des entrées défonçables de l'entrée/la sortie à raccordement fixe (illustrées ci-dessous) pour accéder au bloc de jonction.

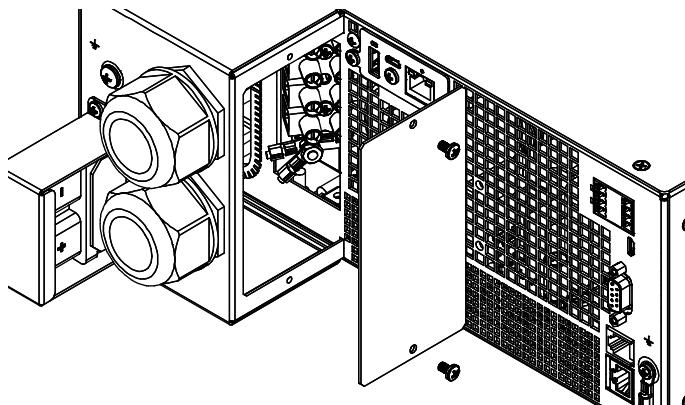
Remarque : Une étiquette décrivant les connexions des bornes se trouve au dos du couvercle d'accès.

2. Retirer la taille d'entrée défonçable appropriée pour les connexions d'entrée et de sortie à raccordement fixe.
3. Installer et fixer les connecteurs de réducteur de tension inclus ou fournis par l'utilisateur à l'enceinte à raccordement fixe.
4. Faire passer le câble dans le réducteur de tension.

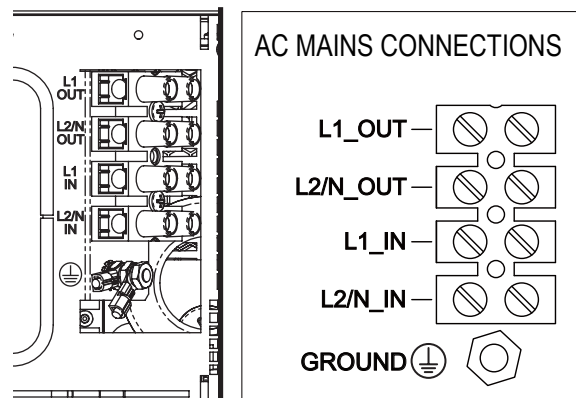
Remarque : Le réducteur de tension de sortie se trouve sur le dessus et le réducteur de tension d'entrée se trouve dans le bas.

5. Installer chaque fil sur le bloc de jonction, comme indiqué ci-dessous. (Consulter la remarque ci-dessous concernant les spécifications de couple de serrage.)
6. Serrer le réducteur de tension.

Entrée/sortie à raccordement fixe avec réducteur de tension



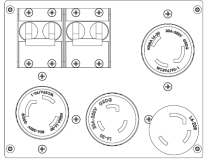
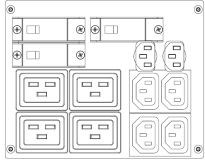
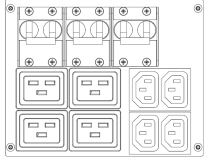
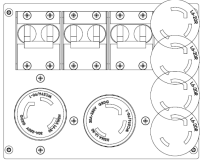
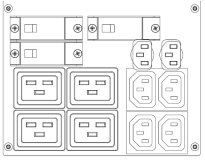
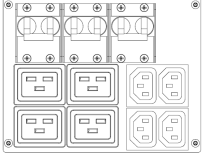
Bornes d'entrée et de sortie



Remarque : Le couple de serrage est 1 N•m (10 lb•po). La prise de terre incluse doit être ajoutée à la prise de terre comme illustré. Le fil de mise à la terre pour l'équipement devrait correspondre au montant n° 8 avec un diamètre extérieur de 8,71 mm et un diamètre intérieur de 4,3 mm.

Installation

Vue d'ensemble de l'entrée et de la sortie de l'onduleur

Nom du modèle	Connexion d'entrée	Configuration de la ligne d'entrée	C-Curve du disjoncteur du bâtiment	AWG d'entrée (mm ²)	Configuration de la plaque de la prise
SU5KRT3UHV	À raccordement fixe	L1, L2/N, PE (GND)	40	8 (6)	
	L6-30P	L1, L2/N, PE (GND)	30	10 (4)	
SU5KRT3UX	À raccordement fixe	L, N PE (GND)	40	8 (6)	
SU5KRT3UG	À raccordement fixe	L1, L2/N, PE (GND)	40	8 (6)	
SU5KRT3UHW	À raccordement fixe	L1, L2/N, PE (GND)	40	8 (6)	Aucune
SU6KRT3UHV	À raccordement fixe	L1, L2/N, PE (GND)	50	6 (10)	
	L6-30P	L1, L2/N, PE (GND)	30	10 (4)	
SU6KRT3UX	À raccordement fixe	L, N, PE	50	6 (10)	
SU6KRT3UG	À raccordement fixe	L1, L2/N, PE (GND)	50	6 (10)	
SU6KRT3UHW	À raccordement fixe	L1, L2/N, PE (GND)	50	6 (10)	Aucune

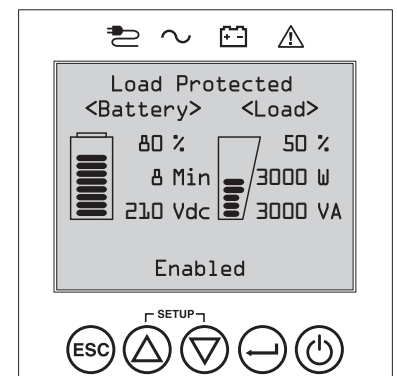
Caractéristiques

Avant d'installer et d'utiliser l'onduleur, se familiariser avec l'emplacement et le fonctionnement des caractéristiques de chaque composant.

Commandes du panneau avant, voyants à DEL et écran ACL

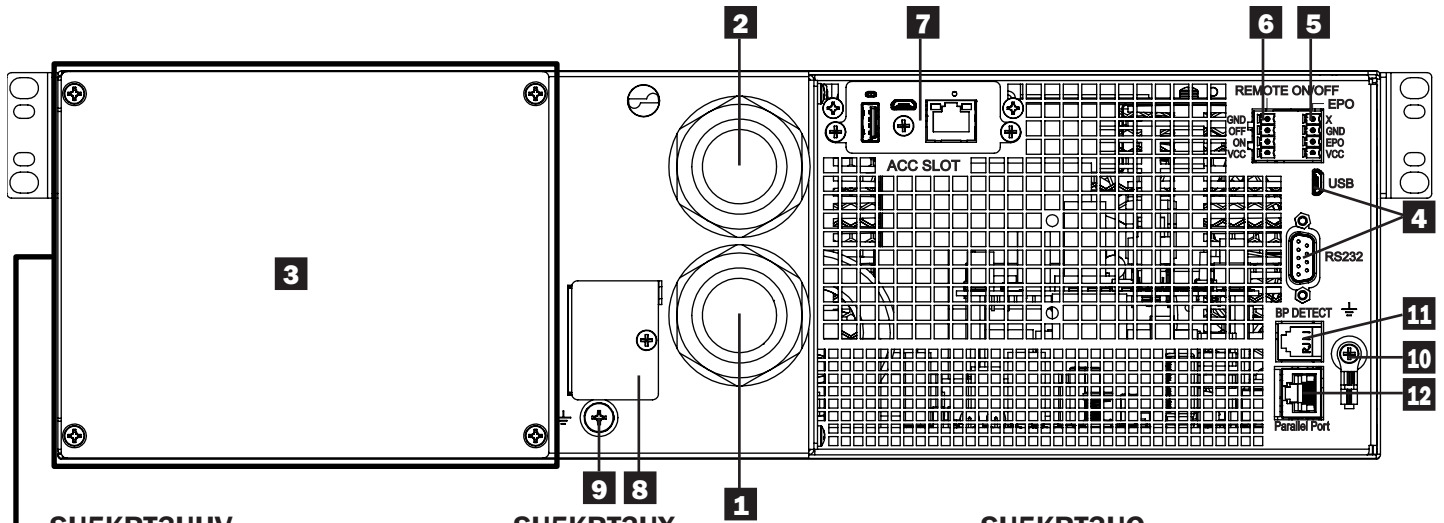
L'écran ACL graphique sur le panneau avant comporte une vaste gamme de conditions de fonctionnement et des données de diagnostic de l'onduleur. Il affiche également les réglages et les options de l'onduleur pour la visualisation des écrans de configuration de l'onduleur. Les cinq boutons sous l'écran ACL peuvent être utilisés pour parcourir les différentes informations, les écrans de configuration et de contrôle de l'onduleur en suivant les messages-guides à l'écran et les options de sélection. Des voyants à DEL supplémentaires au-dessus de l'écran ACL fournissent également l'état de la source d'entrée CA en un coup d'œil, la disponibilité de la sortie, l'état de la batterie et l'état d'avertissement/anomalie.

Consulter la section **Opérations** pour des descriptions détaillées des fonctions de l'écran ACL, des boutons et des voyants à DEL.

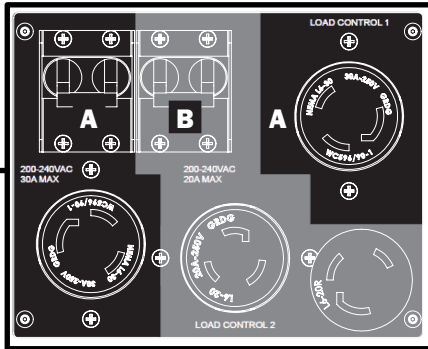


Caractéristiques

Caractéristiques du panneau arrière

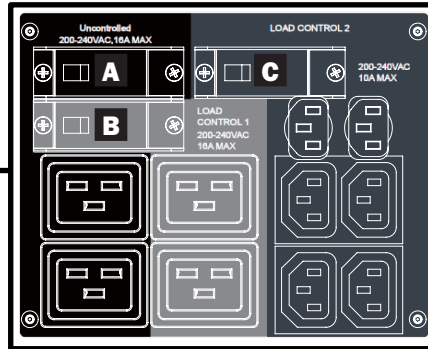


SU5KRT3UHV



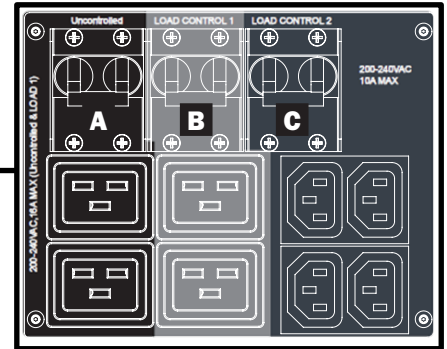
Banc d'essai	Prises	Disjoncteur
A	2x L6-30R	1x 2 pôles (30 A)
B	2x L6-20R	1x 2 pôles (20 A)

SU5KRT3UX



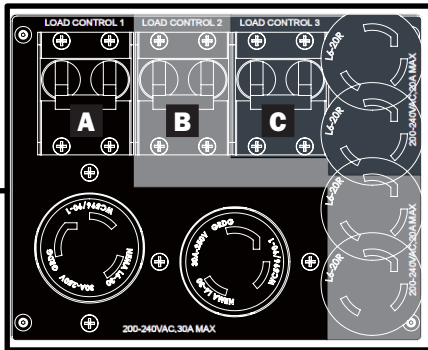
Banc d'essai	Prises	Disjoncteur
A*	2x C19	1x 1 pôle (16 A)
B	2x C19	1x 1 pôle (16 A)
C	6x C13	1x 1 pôle (10 A)

SU5KRT3UG



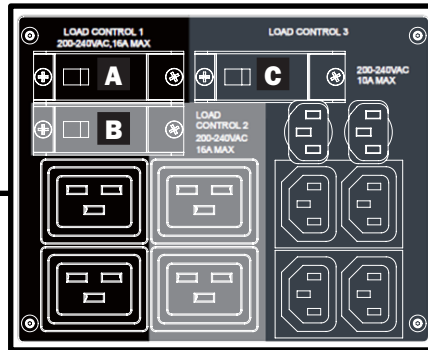
Banc d'essai	Prises	Disjoncteur
A*	2x C19	1x 2 pôles (16 A)
B	2x C19	1x 2 pôles (16 A)
C	4x C13	1x 2 pôles (10 A)

SU6KRT3UHV



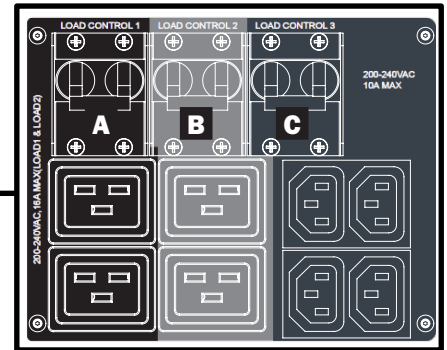
Banc d'essai	Prises	Disjoncteur
A	2x L6-30R	1x 2 pôles (30 A)
B	2x L6-20R	1x 2 pôles (20 A)
C	2x L6-20R	1x 2 pôles (20 A)

SU6KRT3UX



Banc d'essai	Prises	Disjoncteur
A	2x C19	1x 1 pôle (16 A)
B	2x C19	1x 1 pôle (16 A)
C	6x C13	1x 1 pôle (10 A)

SU6KRT3UG



Banc d'essai	Prises	Disjoncteur
A	2x C19	1x 2 pôles (16 A)
B	2x C19	1x 2 pôles (16 A)
C	4x C13	1x 2 pôles (10 A)

*Banc d'essai incontrôlé

Caractéristiques

- 1 Connexion d'entrée CA (varie selon le modèle) :** se connecte à l'alimentation CA via le cordon d'alimentation fixé ou une connexion à raccordement fixe.

Remarque : Les modèles SU5KRT3UHV et SU6KRT3UHV incluent un cordon d'entrée facultatif.

- 2 La connexion de sortie CA à raccordement fixe (facultative sur certains modèles) :** elle doit être connectée à une charge CA via une connexion à raccordement fixe (consulter **Instructions de câblage de sortie à raccordement fixe** pour de plus amples informations.

Remarque : La charge totale connectée à l'onduleur ne doit pas excéder la charge nominale maximum de la plaque signalétique.

- 3 Prises CA (varient selon le modèle) :** ces prises de sortie fournissent au matériel branché une onde sinusoïdale de sortie CA lors d'un fonctionnement normal et de la batterie durant les pannes de courant et les baisses de tension importantes. Ces prises sont divisées en bancs de charge, comme décrit sur l'appareil. À l'aide du logiciel PowerAlert et du câblage, les bancs de charge peuvent être activés et désactivés séparément à distance pour permettre aux utilisateurs de réinitialiser le matériel branché.

Remarque : La charge totale connectée à l'onduleur ne doit pas excéder la charge nominale maximum de la plaque signalétique.

- 4 Ports de communication :** ces ports (USB ou RS-232) connectent l'onduleur à toute station de travail ou tout serveur. Ils doivent être utilisés avec le logiciel PowerAlert de Tripp Lite et le câble inclus pour permettre à l'ordinateur de sauvegarder automatiquement les fichiers ouverts et de mettre l'équipement hors tension pendant une panne d'électricité. Le logiciel PowerAlert peut également être utilisé pour surveiller une grande variété de conditions de fonctionnement de l'alimentation de la ligne CA et de l'onduleur. Consulter le manuel du logiciel PowerAlert ou communiquer avec le service à la clientèle de Tripp Lite pour obtenir plus de renseignements. Le port RS-232 à 9 broches prend aussi en charge les communications à contact sec. Consulter **Communications à contact sec USB et RS-232** dans la section **Connexions optionnelles** pour les instructions d'installation.

- 5 Port d'arrêt d'urgence (EPO) :** l'onduleur comporte un port qui peut être utilisé pour connecter l'onduleur à un commutateur de fermeture de contact pour permettre l'arrêt d'urgence de l'onduleur. S'assurer d'utiliser les broches sur le bloc de jonction de droite étiqueté pour EPO. Consulter la section **Connexions optionnelles** pour plus de détails.

- 6 On/Off (marche/arrêt) à distance :** l'onduleur inclut un port qui peut être utilisé pour connecter l'onduleur à un commutateur de fermeture de contact pour mettre l'onduleur hors tension à distance. S'assurer d'utiliser le bloc de jonction sur le côté gauche étiqueté pour la connexion On/Off (marche/arrêt) à distance. Consulter la section **Connexions optionnelles** pour plus de détails.

- 7 Fente pour accessoires :** retirer la petite plaque qui couvre la fente pour utiliser des accessoires en option pour la surveillance et la gestion à distance de l'onduleur. Visiter tripplite.com pour obtenir une liste complète des accessoires qu'une grande variété de produits de gestion de réseau et de connectivité.

- 8 Connecteur du module de batteries externes :** l'onduleur comporte un système de batteries internes robuste. Ajouter des batteries externes augmentera le temps de fonctionnement et de recharge. Consulter **Accessoires supplémentaires (facultatifs)** dans la section **Vue d'ensemble** pour les modes compatibles et la section **Configuration des modules de batteries externes** sous la section **Opérations** pour des instructions sur la configuration.

Remarque : Ne pas brancher ou débrancher le module de batteries quand l'onduleur est alimenté par les batteries.

- 9 Vis de mise à la terre CC :** utiliser cette vis pour créer une connexion à la terre entre l'onduleur et le module de batteries externes connecté.

- 10 Vis de mise à la terre du châssis :** utiliser cette vis pour connecter n'importe quel équipement nécessitant une mise à la terre au châssis.

- 11 Port de détection du module de batteries externes :** pour les batteries externes à communication intégrée, raccorder le câble de communication de la batterie dans ce port permet à l'onduleur de détecter automatiquement les modules de batteries Smart. Consulter **Configuration des modules de batteries externes** dans la section **Opérations** pour des instructions sur la configuration.

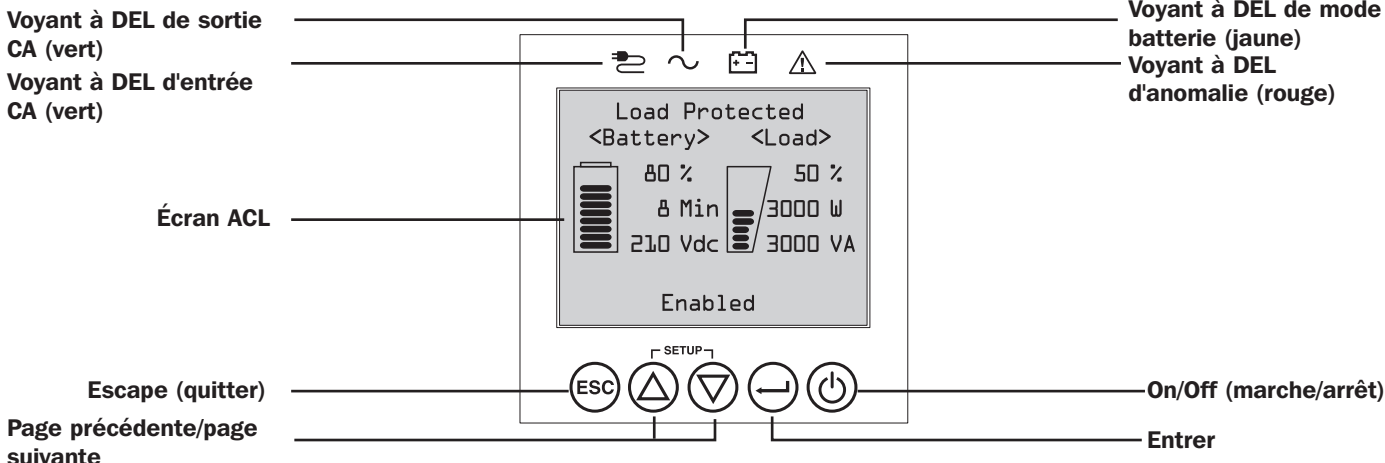
- 12 Port parallèle :** réservé pour une utilisation future.

Opérations

Cette section explique comment utiliser l'onduleur en ligne Tripp Lite, y compris le fonctionnement de l'écran ACL du panneau avant, les modes de fonctionnement, le démarrage et la mise hors tension de l'onduleur, les transferts entre modes, la configuration de la stratégie d'alimentation et la configuration des paramètres de dérivation, des segments de charge et des batteries.





Écran ACL et commandes du panneau avant

Un écran ACL graphique à 5 boutons avec des voyants à DEL supplémentaires sur l'avant de l'onduleur qui fournit des informations sur l'état de l'onduleur, des informations sur le niveau de charge, des informations sur les événements, des mesures, des paramètres et une grande variété de configurations de l'onduleur et des options de stratégie d'alimentation.



Voyants à DEL du panneau avant

Il y a 4 voyants à DEL au-dessus de l'écran ACL du panneau avant qui offrent des informations sur l'ENTRÉE CA, la DÉRIVATION, la SORTIE CA, le MODE DES BATTERIES et les états d'ANOMALIE DE L'ONDULEUR.

	Voyant de l'ENTRÉE CA
Allumé	L'entrée CA est disponible ET l'entrée CA se situe À L'INTÉRIEUR de la plage du mode ÉCONOMIE/ DÉRIVATION configurée. Lorsque ce voyant à DEL est allumé en CONTINU, l'entrée CA est de qualité adéquate pour le fonctionnement de l'onduleur en MODE DE DÉRIVATION ou en MODE ÉCONOMIE.
Clignotant	L'entrée CA est disponible ET l'entrée CA se situe À L'EXTÉRIEUR de la plage du mode de DÉRIVATION configurée. Lorsque ce voyant à DEL CLIGNOTE, la tension ou la fréquence de l'entrée CA n'est pas de qualité adéquate pour le fonctionnement de l'onduleur en MODE DE DÉRIVATION ou en MODE ÉCONOMIE.
Éteint	L'entrée CA n'est PAS disponible. Lorsque ce voyant à DEL est ÉTEINT, l'entrée CA n'est pas disponible.
	Voyant de la SORTIE CA
Allumé	La sortie CA de l'onduleur est SOUS TENSION La sortie de l'onduleur est disponible au niveau des prises de sortie de l'onduleur.
Éteint	La sortie CA de l'onduleur est ÉTEINTE. La sortie CA de l'onduleur n'est pas disponible.
	Voyant du MODE BATTERIE
Allumé	L'onduleur fonctionne en mode batterie. Les batteries de l'onduleur se déchargent alors que l'onduleur fonctionne en mode batterie. S'allume également momentanément pendant un test automatique.
Clignotant	L'onduleur fonctionne en mode batterie - avertissement de batteries faibles Les batteries de l'onduleur se déchargent alors que l'onduleur fonctionne en mode BATTERIE et deviennent faibles. Le voyant clignotera à un intervalle de 2 secondes pour signaler BATTERIES FAIBLES et à un intervalle de 0,5 seconde pour signaler que les BATTERIES SONT PRESQUE COMPLÈTEMENT DÉCHARGÉES et que l'onduleur est sur le point de se mettre hors tension.
	Indicateur ANOMALIE de l'onduleur
Allumé	L'onduleur connaît un état d'anomalie prédéfini Consulter l'écran du panneau avant pour les explications sur l'état ou le code d'erreur. Consulter les instructions à l'écran et le manuel pour des conseils de dépannage.
Éteint	Normal L'onduleur ne signale aucune défaillance lorsque ce voyant est éteint.

Opérations

Fonctions des boutons du panneau avant

Il y a 5 boutons sur le panneau avant qui offrent des options de contrôle et de configuration de l'onduleur. Pour parcourir les différents écrans d'informations, de configuration et de contrôle de l'onduleur, utiliser l'interface à 5 boutons du panneau avant et suivre les messages-guides à l'écran et les options de sélection.



Bouton de mise sous tension/hors tension : ce contrôle offre trois fonctions principales : sous tension, hors tension et annulation de l'anomalie de l'onduleur.

Pour mettre l'onduleur sous tension dans un mode de fonctionnement protégé, appuyer sur ce bouton et le maintenir enfoncé pendant 3 secondes alors que l'onduleur est connecté à l'alimentation CA d'entrée. Relâcher le bouton lorsque l'alarme commence à retentir et l'onduleur démarrera dans la dernière stratégie d'alimentation configurée.

Pour « démarrer à froid » l'onduleur en mode batterie pendant des conditions de panne de courant, appuyer sur ce bouton et le maintenir enfoncé pendant 3 secondes. Relâcher le bouton lorsque l'alarme commence à retentir et l'onduleur démarrera en mode batterie.

Pour mettre l'onduleur hors tension alors qu'il fonctionne en mode batterie ou protégé, appuyer sur ce bouton et le maintenir enfoncé pendant 3 secondes. Relâcher le bouton lorsque l'alarme commence à retentir. L'onduleur mettra la sortie CA hors tension. Une fois la sortie CA hors tension, déconnecter la puissance d'entrée vers l'onduleur et l'onduleur se mettra complètement hors tension.

Pour ANNULER UNE ANOMALIE DE L'ONDULEUR, appuyer sur ce bouton et le maintenir enfoncé pendant 3 secondes comme indiqué sur l'écran. L'onduleur annulera les défaillances, puis retournera en mode attente ou de dérivation.



Bouton ENTER (entree) : ce bouton de commande est utilisé pour faire des sélections, confirmer des options et aller de l'avant et passer à la sélection suivante tandis que l'onduleur est configuré en mode configuration. Appuyer sur ce bouton comme indiqué sur l'écran en mode configuration pour entrer, confirmer ou aller de l'avant dans le processus de configuration.



Bouton UP/DOWN (haut/bas) : ces commandes offrent deux fonctions principales : la commande « up » (haut) et « down » (bas), et le mode de configuration enter/exit (entrer/quitter) (lorsqu'enfoncé simultanément). Ces boutons sont utilisés pour parcourir les options du menu du mode de configuration et faire défiler vers le haut ou vers le bas pour afficher le contenu de l'écran au besoin.



Pour ENTRER ou QUITTER LE MODE CONFIGURATION, appuyer simultanément sur ces deux boutons pendant 3 secondes. Relâcher les boutons lorsque l'alarme commence à retentir. L'onduleur passera automatiquement en mode configuration si les deux boutons sont enfoncés pendant les modes d'affichage ACL.

L'onduleur quittera automatiquement le mode configuration si les deux boutons sont enfoncés alors que l'onduleur fonctionne en mode configuration.



Bouton ESCAPE (quitter) : ce bouton offre trois fonctions principales : annuler l'alarme, annuler une anomalie et les opérations retour/annuler.

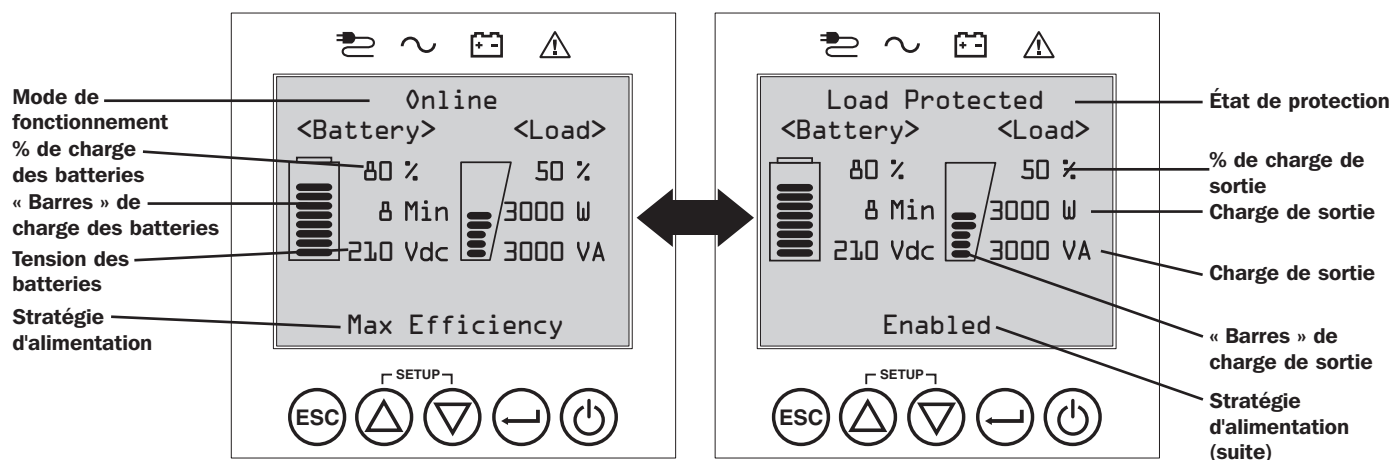
Pour ANNULER L'ALARME DE L'ONDULEUR, appuyer sur ce bouton. Si une nouvelle condition d'alarme se produit, l'alarme retentira de nouveau.

Pour ANNULER ou RECULER D'UN NIVEAU, appuyer sur ce bouton comme indiqué à l'écran en modes Navigation et Configuration.

Disposition de l'écran d'accueil

L'écran ACL du panneau avant de l'onduleur est configuré pour fournir des informations continues sur le fonctionnement de l'onduleur en utilisant les écrans d'accueil du MODE NORMAL et du MODE BATTERIE qui rapportent continuellement le mode de fonctionnement, l'état de protection, la stratégie d'alimentation et certains paramètres de fonctionnement de la batterie et de la charge.

Écrans d'accueil en mode normal

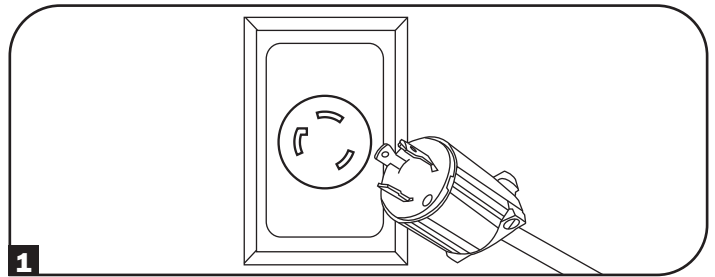


Opérations

Connexion de base et démarrage

1 Connecter l'onduleur au service électrique

L'onduleur doit être branché à un circuit spécialisé dont l'ampérage est suffisant. Les modèles L6-30 exigent l'installation d'un disjoncteur de 30 A dans le bâtiment. Pour les modèles à raccordement fixe, consulter la section **Installation**, le **tableau Vue d'ensemble de l'entrée et de la sortie de l'onduleur** et la valeur nominale sur l'onduleur pour plus de détails.

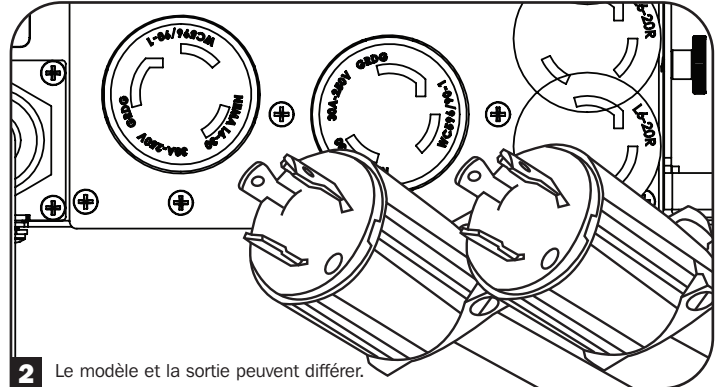


2 Brancher l'équipement à l'onduleur

Une fois la puissance d'entrée appliquée, l'onduleur passera en mode attente et les batteries se chargeront.

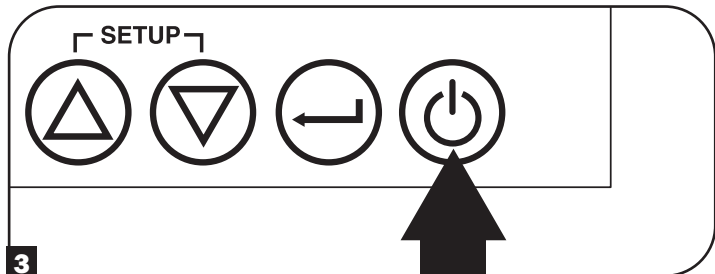
L'onduleur est conçu pour prendre en charge le réseau, le serveur et l'équipement électronique seulement.

Remarque : Si l'équipement doit être contrôlé par la charge, s'assurer de brancher l'équipement dans un banc contrôlé par la charge.



3 Mettre l'onduleur sous tension

Appuyer sur le bouton POWER (🔌) et le maintenir enfoncé pendant 3 secondes, puis le relâcher lorsque l'alarme commence à retentir.

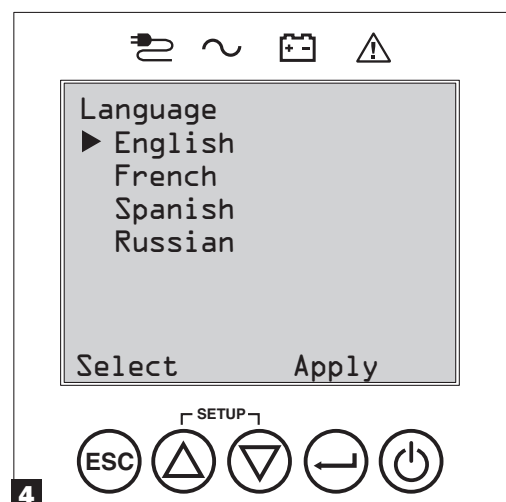


4 Sélectionner la langue

Lorsque l'onduleur est sous tension pour la première fois, le voyant à DEL CA D'ENTRÉE s'allumera et l'écran ACL du panneau avant demandera une sélection de la langue.

En utilisant les boutons UP/DOWN (haut/bas) (▲▼), sélectionner une préférence linguistique, puis appuyer sur le bouton NEXT (➡) (suivant).

L'interface confirmera la sélection et fournira des options pour revenir en arrière (appuyer sur BACK (↩) (retour)) ou passer à l'étape suivante (appuyer sur NEXT (➡) (suivant)).



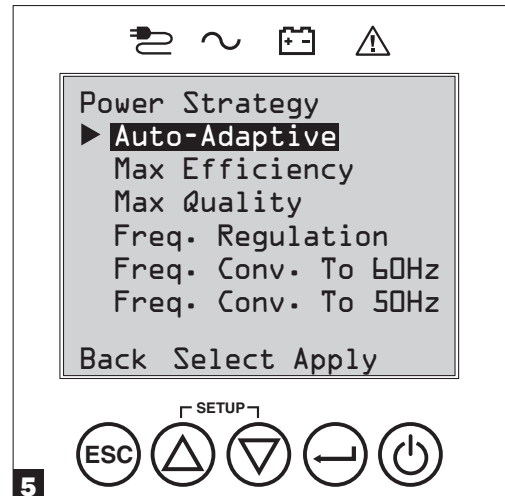
Opérations

5 Sélectionner la stratégie d'alimentation

Ensuite, l'onduleur invitera l'utilisateur à choisir la STRATÉGIE D'ALIMENTATION souhaitée.

En utilisant les boutons UP/DOWN ▲▼ (haut/bas), sélectionner la préférence en matière de STRATÉGIE D'ALIMENTATION, puis appuyer sur le bouton APPLY ⊖ (appliquer).

Consulter les sections **Options de sélection pour la stratégie d'alimentation** et **Modes de fonctionnement de l'onduleur** sous la section Opérations pour les caractéristiques de fonctionnement de chaque stratégie d'alimentation.



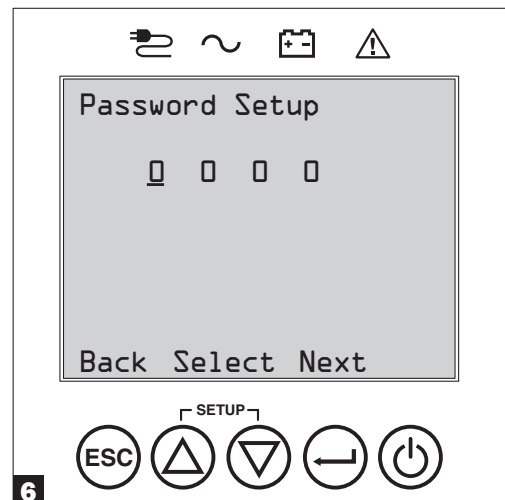
6 Sélectionner un mot de passe

Ensuite, l'onduleur invitera l'utilisateur à choisir le MOT DE PASSE souhaité.

En utilisant les boutons UP/DOWN ▲▼ (haut/bas), sélectionner le premier chiffre du mot de passe souhaité, puis appuyer sur le bouton NEXT ⊖ (suivant) pour passer au second chiffre.

Répéter pour les chiffres 2 à 4.

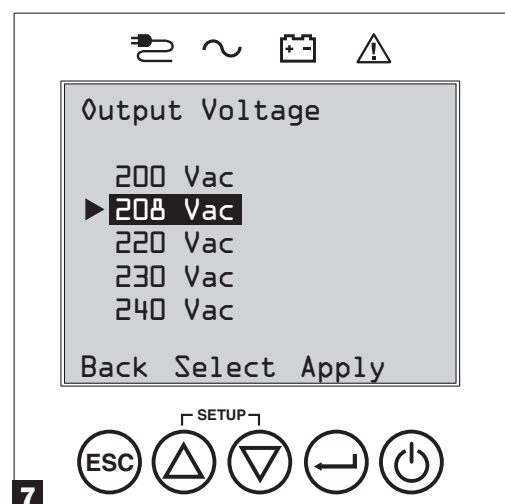
Remarque : Pour configurer rapidement le mot de passe à « 0 0 0 0 », appuyer sur le bouton NEXT suivant) à 4 reprises.



7 Sélectionner la tension de sortie de l'onduleur.

Ensuite, l'onduleur invitera l'utilisateur à sélectionner la TENSION DE SORTIE souhaitée.

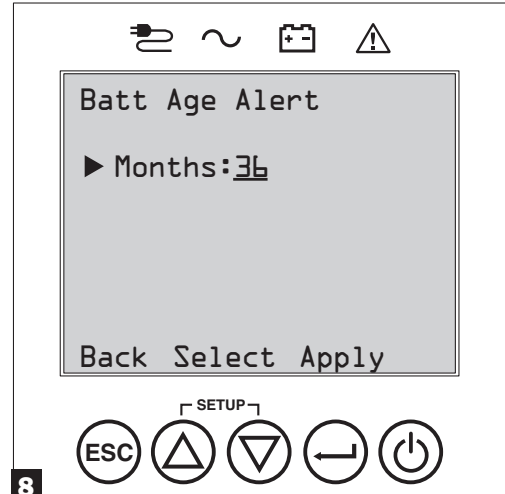
En utilisant les boutons UP/DOWN ▲▼ (haut/bas), sélectionner la tension de sortie de l'onduleur, puis sélectionner APPLY ⊖ (appliquer).



Opérations

8 Sélectionner l'alerte pour l'âge de la batterie

L'onduleur invitera ensuite l'utilisateur à sélectionner la synchronisation de la notification de l'alerte pour l'âge de la batterie. Il est possible de sélectionner entre 12 et 60 mois. Le paramètre d'usine par défaut est désactivé. En utilisant les boutons UP/DOWN ▲▼ (haut/bas), sélectionner la synchronisation de l'alerte pour l'âge de la batterie en mois, puis appuyer sur APPLY ⊖ (appliquer).



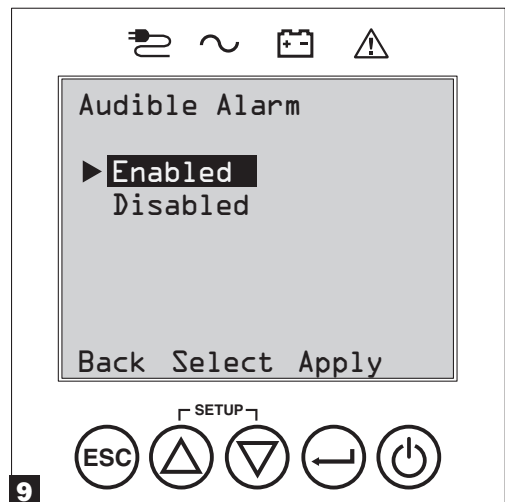
Plage : 12 à 60, Par défaut : désactivé

9 Sélectionner l'état ENABLED/DISABLED (activé/désactivé) de l'alarme sonore.

L'onduleur invitera ensuite l'utilisateur à sélectionner l'état ENABLED/DISABLED (activé/désactivé) de l'alarme.

En utilisant les boutons UP/DOWN ▲▼ (haut/bas), sélectionner l'état ENABLED/DISABLED (activé/désactivé) de l'alarme, puis appuyer sur APPLY ⊖ (appliquer).

Remarque : Désactiver l'alarme empêche l'alarme sonore de retentir pendant des pannes de courant et des défaillances de l'onduleur uniquement. L'alarme continuera de « gazouiller » pour confirmer l'entrée de l'opérateur via les boutons de navigation de l'écran ACL du panneau avant lorsque l'alarme est configurée à désactivée.



L'onduleur procédera à une série de vérifications diagnostiques avant de mettre sous tension la sortie de tension. Une fois que l'onduleur signale l'état de fonctionnement NORMAL/LOAD PROTECTED (normal/charge protégée) avec la STRATÉGIE D'ALIMENTATION activée, l'onduleur peut immédiatement être mis en service pour fournir une protection fiable pour une grande variété de problèmes d'alimentation.

Options de sélection pour la stratégie d'alimentation

Les onduleurs à écrans ACL SmartOnline de Tripp Lite offrent plusieurs options de stratégie d'alimentation intégrées qui permettent à l'onduleur d'optimiser la performance pour répondre aux besoins des clients pour un fonctionnement offrant une QUALITÉ D'ALIMENTATION MAXIMALE, une EFFICACITÉ MAXIMALE et une RÉGULATION DE FRÉQUENCE ou une CONVERSION DE FRÉQUENCE. Une stratégie d'alimentation AUTO-ADAPTATIVE supplémentaire allie les avantages d'un rendement élevé et d'une qualité d'alimentation maximale. Chaque option de stratégie d'alimentation permet à l'onduleur de passer automatiquement entre des modes de fonctionnement spécifiques dictés par l'état de l'alimentation et de l'onduleur. Les options de stratégie d'alimentation offertes incluent :

- **La stratégie d'alimentation Auto-adaptive** permet à l'onduleur de passer automatiquement entre le MODE EN LIGNE et le MODE ÉCONOMIE comme dicté par la qualité et la fiabilité de la puissance d'entrée de l'onduleur. Si l'onduleur ne subit pas de panne de courant à l'intérieur d'une semaine (sans inclure l'autotest de l'onduleur), l'onduleur passera automatiquement en MODE ÉCONOMIE. En cas de panne de courant, l'onduleur gardera la sortie en MODE BATTERIE. Au retour de l'alimentation, l'onduleur répétera le cycle en fonctionnant en MODE EN LIGNE jusqu'à ce qu'il n'y ait plus de pannes de courant pendant une semaine. Le mode de dérivation automatique est disponible pendant les mode de pannes de l'onduleur lorsque l'entrée CA se trouve dans la plage de dérivation.
- **La stratégie d'alimentation Efficacité maximale** permet à l'onduleur de fonctionner en continu en MODE ÉCONOMIE lorsque l'alimentation CA entrante se trouve dans la plage de la tension basse/élevée de dérivation configurée. Si la tension d'entrée de l'onduleur se trouve à l'extérieur de la plage de dérivation configurée, l'onduleur passera automatiquement en MODE EN LIGNE jusqu'à ce que la tension d'entrée CA soit rétablie dans la plage de tension de dérivation configurée. Cela est semblable à la stratégie d'alimentation Auto-adaptive, sauf que le transfert vers le MODE ÉCONOMIE est immédiat alors que les niveaux de tension sont rétablis. Il n'y a aucune période d'une semaine de fonctionnement exempt de pannes de courant requise pour que l'onduleur reprenne un fonctionnement en MODE ÉCONOMIE. Le mode de dérivation automatique est disponible pendant les mode de pannes de l'onduleur lorsque l'entrée CA se trouve dans la plage de dérivation.
- **La stratégie d'alimentation Qualité maximale** permet à l'onduleur de fonctionner en continu en MODE EN LIGNE tout le temps que l'alimentation CA entrante se trouve dans la plage pour le fonctionnement en mode en ligne. L'onduleur continuera de fonctionner en continu en mode double conversion en ligne, fournissant la sortie de tension de la plus haute qualité avec aucun délai de transfert. Le mode de dérivation automatique est disponible pendant les mode de pannes de l'onduleur lorsque l'entrée CA se trouve dans la plage de dérivation.
- **La stratégie d'alimentation Régulation de la fréquence** est semblable à la stratégie d'alimentation Qualité maximale, sauf que l'onduleur régularisera la fréquence de sortie à +/- 0,5 Hz de la fréquence nominale de 50 ou 60 Hz mesurée au démarrage. L'onduleur continuera de fonctionner en continu en mode double conversion en ligne, fournissant la sortie de tension de la plus haute qualité avec aucun délai de transfert.

Remarque : La dérivation automatique pendant une panne est disponible. La dérivation n'est pas disponible lorsque l'onduleur se trouve en mode Off (arrêt).

- **Les stratégies d'alimentation Conversion de la fréquence à 60 Hz et Conversion de la fréquence à 50 Hz** sont semblables à la stratégie d'alimentation Qualité maximale, sauf que l'onduleur régularisera activement la sortie à +/- 0,5 Hz de 50 Hz (conversion de la fréquence au paramètre 50 Hz) ou 60 Hz (conversion de la fréquence au paramètre 60 Hz). La dérivation automatique n'est pas disponible en mode CONVERSION DE LA FRÉQUENCE. Les applications typiques incluent la conversion de 50 à 60 Hz (ou 60 à 50 Hz) pour les dispositifs électroniques sensibles.

Remarque : L'alimentation maximum prise en charge en mode Conversion de la fréquence est déclassée par 30 %. La dérivation automatique pendant une panne n'est pas disponible.

Modes de fonctionnement de l'onduleur

Les onduleurs SmartOnline de Tripp Lite peuvent alterner automatiquement entre les modes de fonctionnement sous des conditions précisées dans la stratégie d'alimentation configurée. L'onduleur indique continuellement l'état au moyen des voyants à DEL du panneau avant et de l'écran de visualisation ACL interactif.

- **Le mode batterie** est la réponse automatique du système aux pannes de courant et aux variations de tension à l'extérieur de la plage de tension en ligne. En MODE BATTERIE, l'onduleur maintient une sortie de tension CA sinusoïdale de la réserve de la batterie. Au retour de l'alimentation, l'onduleur retournera en mode de fonctionnement protégé comme dicté par la stratégie d'alimentation configurée et par les conditions de la puissance d'entrée.
- **Le mode en ligne** (aussi appelé MODE DOUBLE CONVERSION EN LIGNE) offre le plus haut niveau de protection de l'équipement de l'onduleur. En MODE EN LIGNE, l'onduleur régénère activement l'alimentation de CA à CC pour fournir une sortie CA continuellement régulée à 2 % de la tension de sortie nominale sélectionnée avec aucun délai de transfert alors que l'onduleur passe entre les modes EN LIGNE et BATTERIE.
- **Le mode économie** offre un fonctionnement en économie d'énergie avec le plus haut niveau d'efficacité de fonctionnement de l'onduleur. En MODE ÉCONOMIE, l'onduleur économise l'énergie en désactivant le processus de double conversion en ligne lorsque la puissance d'entrée se trouve dans la plage de tension en MODE ÉCONOMIE. Si la tension ou la fréquence chute à l'extérieur du MODE ÉCONOMIE, l'onduleur répondra en passant automatiquement au MODE EN LIGNE jusqu'à ce que la tension soit rétablie.
- **Le mode Régulation de la fréquence** permet à l'onduleur de corriger les variations de fréquence présentes sur la puissance d'entrée de l'onduleur. Consulter la section **Options de sélection pour la stratégie d'alimentation** pour plus de détails.
- **Les modes Conversion de la fréquence à 60 Hz et Conversion de la fréquence à 50 Hz** permettent à l'onduleur de convertir la fréquence de 50 Hz à 60 Hz (ou de 60 Hz à 50 Hz). La fréquence de sortie est fixée à 60 Hz ou 50 Hz selon le paramètre sélectionné pour la fréquence. L'onduleur acceptera une fréquence d'entrée de 40 à 70 Hz et effectuera la conversion, le cas échéant. Consulter la section **Options de sélection pour la stratégie d'alimentation** pour plus de détails.

Remarque : L'alimentation maximum prise en charge en mode Conversion de la fréquence est déclassée par 30 %.

- **Le mode de dérivation** offre du courant filtré et non régulé à l'équipement connecté.

Caractéristiques de fonctionnement de la stratégie d'alimentation et modes de fonctionnement de l'onduleur pris en charge

La stratégie d'alimentation configurée pour l'onduleur fournit un cadre pour le fonctionnement de l'onduleur alors qu'il alterne entre les modes de fonctionnement dictés par les événements relatifs à l'alimentation et l'état de l'onduleur. Chaque stratégie d'alimentation offre un ensemble unique de paramètres auxquels l'onduleur adhère pour satisfaire aux préférences de l'utilisateur pour la haute performance ou le haut rendement. Des options supplémentaires de régulation et de conversion de la fréquence sont également disponibles pour les applications avancées. Le tableau ci-dessous dresse une liste des modes de fonctionnement de l'onduleur qui sont pris en charge pour chaque option de stratégie d'alimentation.

		MODES DE FONCTIONNEMENT DE L'ONDULEUR			
		L'onduleur alterne automatiquement entre les modes de fonctionnement dictés par la stratégie d'alimentation configurée, la puissance actuelle et les conditions d'état de l'onduleur.			
OPTIONS DE SÉLECTION DE LA STRATÉGIE D'ALIMENTATION La sélection de la stratégie permet à l'onduleur d'alterner entre les modes de fonctionnement comme décrit.		Support pour MODE EN LIGNE	Support pour MODE ÉCONOMIE	Support pour MODE BATTERIE	Support pour DÉRIVATION AUTOMATIQUE
		AUTO-ADAPTATIVE L'onduleur fonctionne continuellement en MODE ÉCONOMIE après avoir fonctionné en MODE EN LIGNE pendant une semaine continue sans coupure de courant.		OUI. Lorsque l'entrée se trouve dans la plage de tension EN LIGNE, mais à l'extérieur de la plage de tension de DÉRIVATION, et après le rétablissement de l'alimentation CA.	OUI. Lorsque l'entrée se trouve dans la plage de tension en MODE ÉCONOMIE et qu'il n'y a aucune coupure de courant pendant une semaine.
MAX. QUALITÉ L'onduleur fonctionne continuellement en MODE EN LIGNE pour maintenir une puissance de sortie de la plus haute qualité pour l'équipement connecté.		OUI. Lorsque l'entrée se trouve dans la plage de tension EN LIGNE.	NON.	OUI.	OUI. En cas d'anomalie de l'inverseur de l'onduleur tandis que la tension d'entrée se trouve dans la plage de tension de DÉRIVATION.
MAX. EFFICACITÉ L'onduleur fonctionne en MODE ÉCONOMIE à plein temps lorsque l'entrée se trouve dans la plage de dérivation.		OUI. Lorsque l'entrée se trouve dans la plage de tension EN LIGNE, mais à l'extérieur de la plage de tension de DÉRIVATION.	OUI. Lorsque l'entrée se trouve dans la plage de tension en MODE ÉCONOMIE.	OUI.	OUI. En cas d'anomalie de l'inverseur de l'onduleur tandis que la tension d'entrée se trouve dans la plage de tension de DÉRIVATION.
RÉGULATION DE LA FRÉQUENCE L'onduleur régularise la sortie à $\pm 0,5$ Hz de la valeur nominale.		OUI. Lorsque l'entrée se trouve dans la plage de tension EN LIGNE*.	NON.	OUI.	OUI. En cas d'anomalie de l'inverseur de l'onduleur tandis que la tension d'entrée se trouve dans la plage de tension de DÉRIVATION.
CONVERSION DE LA FRÉQUENCE À 60 Hz l'onduleur se convertit à 60 Hz ($\pm 0,5$ Hz).		OUI. Lorsque l'entrée se trouve dans la plage de tension EN LIGNE**.	NON.	OUI.	NON.
CONVERSION DE LA FRÉQUENCE À 50 Hz l'onduleur convertit l'entrée de 60 Hz à 50 Hz ($\pm 0,5$ Hz).		OUI. Lorsque l'entrée se trouve dans la plage de tension EN LIGNE**.	NON.	OUI.	NON.

* L'écran ACL affiche *FREQUENCY REGULATION* (régulation de la fréquence) comme mode de fonctionnement avec des informations sur le déclassement.

** L'écran ACL affiche *FREQUENCY CONVERSION* (conversion de la fréquence) comme mode de fonctionnement avec des informations sur le déclassement.

Opérations

Sélection de l'écran ACL du panneau avant et options de configuration

MENU PRINCIPAL/SOUS-MENU	OPTIONS D'AFFICHAGE/DE RÉGLAGE	DESCRIPTION DE L'AFFICHAGE/DES RÉGLAGES
ÉTAT		
État de la charge	<ul style="list-style-type: none"> Niveau de charge (% , kW, kVA, A, FP) Capacité disponible (% , kW, kVA) 	<p>Pourcentage de charge de l'onduleur (%), kilowatt (kW), kilovoltamp (kVA), amp (A) et facteur de puissance (FP).</p> <p>La capacité de l'onduleur disponible en pourcentage (%), kilowatts (kW) et kilovoltamps (kVA).</p>
État de l'entrée/la sortie	<ul style="list-style-type: none"> Tension et fréquence d'entrée (V CA, Hz) Tension et fréquence de sortie (V CA, Hz) Groupe de charge 1 (marche, arrêt) Groupe de charge 2 (marche, arrêt) Groupe de charge 3 (marche, arrêt) 	Affiche les informations sur l'état de l'entrée et de la sortie de l'onduleur pour la tension d'entrée/de sortie (V CA) la fréquence (Hz) et les informations sur l'état (marche, arrêt) de la puissance du groupe de prises.
État de l'énergie	<ul style="list-style-type: none"> Efficacité (%) Moyenne Puissance (kw/h) Stratégie d'alimentation configurée 	Affiche le pourcentage d'efficacité de l'onduleur (%), la consommation de l'équipement connecté en kilowatt-heure (kw/h) et la stratégie d'alimentation configurée.
État des batteries	<ul style="list-style-type: none"> Modèle et numéro de série de la batterie Date de l'installation (mm/jj/aaaa) Expiration (mm/jj/aaaa) 	Affiche le numéro de modèle et le numéro de série du module de batteries (MODULES DE BATTERIES SMART Tripp Lite) seulement, la date d'installation et la date d'expiration configurée par l'utilisateur.
Tableau du flux d'énergie	<ul style="list-style-type: none"> Afficher le tableau du flux opérationnel de l'onduleur 	Affiche le mode de fonctionnement de l'onduleur dans un tableau graphique du flux.
CONTRÔLE		
Démarrage de la batterie Test	<ul style="list-style-type: none"> Déclenche le démarrage d'un test manuel de la batterie 	Déclenche un autotest momentané de la batterie de l'onduleur avec des résultats réussis/échoués immédiats.
Réinitialiser l'état d'anomalie	<ul style="list-style-type: none"> Réinitialise tout message d'état d'anomalie 	Utiliser cette option pour annuler les messages d'anomalie de l'onduleur.
Batterie automatique Essai	<ul style="list-style-type: none"> Configurer l'intervalle d'un autotest de la batterie <ul style="list-style-type: none"> Désactiver 4 semaines (paramètre d'usine) 13 semaines 26 semaines 	Utiliser cette option pour déclencher un test automatique de la batterie de l'onduleur à intervalles réguliers.
JOURNAL D'ÉVÉNEMENTS		
En mode batterie Événements	<ul style="list-style-type: none"> Compteur d'événements (événements en mode batterie seulement) Nombre total de minutes (nombre total de minutes de fonctionnement en mode batterie) Coupure de courant la plus récente (date) Mois d'ici l'alerte de remplacement de la batterie (mois) Détails de l'événement (date, heure et description pour les 20 derniers événements enregistrés) 	Affiche un résumé de tous les événements en MODE BATTERIE où l'onduleur est passé en mode batterie en réponse à une condition protégée. Les détails de l'événement dresse une liste des 20 derniers événements de la batterie. À mesure que de nouvelles alertes se produisent, les événements les plus anciens seront automatiquement effacés.
Tous les événements	<ul style="list-style-type: none"> Compteur d'événements (tous les événements) Événement le plus récent (date) Date/heure de la connexion 	Affiche un résumé de tous les événements enregistrés Les détails de l'événement dresse une liste des 20 derniers événements. À mesure que de nouvelles alertes se produisent, les événements les plus anciens seront automatiquement effacés.
RÉGLAGES		
Configuration de base	Système <ul style="list-style-type: none"> Date actuelle (afficher, configurer la date) Heure actuelle (afficher, configurer l'heure) Alarme sonore (activer, désactiver) Langue (sélectionner) 	<p>Affiche, configure et réinitialise la date, l'heure, l'état de l'alarme sonore et les réglages de la langue.</p> <p>Remarque : Le paramètre DISABLE (désactiver) de l'alarme sonore prévient les coupures de courant et le fonctionnement des alarmes de défaillance uniquement; l'onduleur émettra toujours un « bip » pour confirmer que l'onduleur accepte l'entrée de l'utilisateur depuis les boutons de navigation de l'écran ACL du panneau avant.</p> <p>Remarque : La date actuelle et l'heure locale actuelle sont reportées directement depuis la carte de gestion à distance.</p>
	Tension de sortie <ul style="list-style-type: none"> 200 208 220 230 240 	Utiliser l'option SETTINGS/BASIC/OUTPUT VOLTAGE (réglages/de base/tension de sortie) pour afficher ou configurer la tension de sortie nominale de l'onduleur (les changements prennent effet lors du redémarrage suivant).

Opérations

MENU PRINCIPAL/SOUS-MENU	OPTIONS D'AFFICHAGE/DE RÉGLAGE	DESCRIPTION DE L'AFFICHAGE/DES RÉGLAGES
RÉGLAGES		
Configuration de base (suite)	Stratégie d'alimentation : <ul style="list-style-type: none"> • Auto-adaptive • Efficacité maximale • Qualité maximale • Fréquence Régulation • Fréquence Conversion à 60 Hz • Fréquence Conversion à 50 Hz 	Utiliser l'option SETTINGS/BASIC/POWER STRATEGY (réglages/de base/stratégie d'alimentation) pour afficher ou configurer la stratégie d'alimentation de l'onduleur. Consulter la section Options de sélection pour la stratégie d'alimentation sous la section Opérations pour de plus amples informations sur les options de stratégie d'alimentation disponibles.
	Batterie : <ul style="list-style-type: none"> • Configuration de la batterie • Batterie externe • Alerte pour l'âge de la batterie 	Utiliser l'option Settings/Basic/Battery (réglages/de base/batterie) pour afficher les dates d'installation et d'expiration de la batterie externe de même que les informations sur la cartouche de batteries de rechange. Consulter Opérations/configuration des modules de batteries externes pour des informations sur la façon de configurer les modules de batteries externes. L'alerte pour l'âge de la batterie permet de configurer la durée pour le rappel de remplacement de la batterie. Le paramètre d'usine par défaut est désactivé.
Configuration avancée	Système : <ul style="list-style-type: none"> • Luminosité de l'affichage <ul style="list-style-type: none"> ◦ Élevée ◦ Moyenne (paramètre d'usine) ◦ Basse • Réglage du rétroéclairage : saisir 10 à 120 secondes (le paramètre d'usine est 60 secondes) • Mot de passe : configurer un mot de passe à 4 chiffres (le paramètre d'usine est 0000) • Réinitialisation aux paramètres d'usine (réinitialise toutes les préférences de l'onduleur aux paramètres d'usine, y compris les configurations de la batterie) <p><i>Remarque : Après l'exécution, la carte SNMP se réinitialisera.</i></p>	Utiliser l'option SETTINGS/ADVANCED/SYSTEM (réglages/avancé/système) pour configurer la luminosité de l'affichage, la temporisation du rétroéclairage de l'affichage, le mot de passe ou les options de réinitialisation aux paramètres d'usine.
	Entrée/sortie : <ul style="list-style-type: none"> • Niveau d'alerte de surcharge : saisir une valeur entre 5 et 105 % (le paramètre d'usine est 105 %) 	Utiliser SETTINGS/ADVANCED/IN-OUT (réglages/avancé/entrée-sortie) pour ces options : permet de configurer le pourcentage de charge de sortie de l'onduleur avant qu'une alerte de surcharge soit envoyée.
	<ul style="list-style-type: none"> • Conf. Action pour une anomalie (réponse de l'onduleur pour une anomalie) <ul style="list-style-type: none"> ◦ Aller à Bypass (dérivation) (paramètre d'usine par défaut) ◦ Aller à Standby (attente) 	Configure la réponse de l'onduleur à des défaillances qui exigent que l'onduleur quitte le mode double conversion. L'option GO TO BYPASS (aller à dérivation) maintient la sortie CA (tant que la tension d'entrée demeure dans les limites élevée/basse de dérivation). L'option GO TO STANDBY (aller à attente) force l'onduleur à mettre la sortie CA hors tension en réponse aux défaillances.
	<ul style="list-style-type: none"> • Limite inférieure de dérivation : saisir une valeur de -5 % à -20 % (le paramètre d'usine est -15 %) 	Spécifie la tension d'entrée la plus faible acceptable pour l'opération de dérivation.
	<ul style="list-style-type: none"> • Limite supérieure de dérivation : saisir une valeur de +5 % à +20 % (le paramètre d'usine est -15 %) 	Spécifie la tension d'entrée la plus élevée acceptable pour l'opération de dérivation.
	On/Off (marche/arrêt) : <ul style="list-style-type: none"> • Démarrage à froid <ul style="list-style-type: none"> ◦ Activer (paramètre d'usine) ◦ Désactiver 	Utiliser SETTINGS/ADVANCED/ON-OFF (réglages/avancé/marche-arrêt) pour ces options : Activer le démarrage à froid permet à l'onduleur d'être manuellement mis sous tension en mode batterie pendant une panne de courant.
	<ul style="list-style-type: none"> • Redémarrage automatique <ul style="list-style-type: none"> ◦ Activer (paramètre d'usine) ◦ Désactiver 	Activer le redémarrage à froid permet à l'onduleur d'être automatiquement remis en mode de fonctionnement protégé au retour de l'alimentation.
	<ul style="list-style-type: none"> • Délai du redémarrage automatique <ul style="list-style-type: none"> ◦ Saisir : 0 à 60 secondes (le paramètre d'usine est 0 seconde) 	Le délai du redémarrage automatique force l'onduleur à attendre 0 à 60 secondes après le retour de l'alimentation avant de redémarrer automatiquement. Le redémarrage automatique doit être activé lors du retour de l'alimentation.
<ul style="list-style-type: none"> • Économie d'énergie <ul style="list-style-type: none"> ◦ Saisir : 0 à 100 % ◦ Désactiver (paramètre d'usine) • Mode arrêt <ul style="list-style-type: none"> ◦ Attente ◦ Dérivation (paramètre d'usine) 	L'économie d'énergie permet à l'onduleur de se mettre automatiquement hors tension lorsque la charge de sortie est inférieure au pourcentage sélectionné continuellement pendant 5 minutes. Le paramètre mode arrêt de la DÉRIVATION permet à l'onduleur de fournir une alimentation de ligne non régulée à l'intérieur des limites de dérivation basse/élevée qui sera disponible à la sortie de l'onduleur lorsqu'il est mis hors tension.	
<ul style="list-style-type: none"> • Min. Batt à redémarrer <ul style="list-style-type: none"> ◦ Saisir : 10 à 90 % ◦ Désactiver (paramètre d'usine) 	Le niveau de charge minimum de la batterie pour redémarrer force l'onduleur à attendre que les batteries soient rechargées au pourcentage sélectionné avant de redémarrer automatiquement. <p><i>Remarque : L'onduleur peut être démarré manuellement en utilisant le bouton d'alimentation si la charge de la batterie est inférieure au seuil de redémarrage minimum de la batterie.</i></p> Nécessite l'activation du redémarrage automatique au retour de l'alimentation.	

Opérations

MENU PRINCIPAL/SOUS-MENU	OPTIONS D'AFFICHAGE/DE RÉGLAGE	DESCRIPTION DE L'AFFICHAGE/DES RÉGLAGES	
RÉGLAGES			
Configuration avancée (suite)	En mode batterie <ul style="list-style-type: none"> • Batterie faible Alerte <ul style="list-style-type: none"> ◦ Saisir : 10 à 90 % (le paramètre d'usine est 20 %) • Arrêt temporisé <ul style="list-style-type: none"> ◦ Saisir : 15, 30, 45 sec., 1 à 30 min. ◦ Désactiver (paramètre d'usine) • Arrêt pour batterie faible <ul style="list-style-type: none"> ◦ Saisir : 5 à 100 % ◦ Désactiver (paramètre d'usine) • En mode batterie Délai du bip <ul style="list-style-type: none"> ◦ Saisir : 0 à 120 secondes (le paramètre d'usine est 5 secondes) • Arrêt complété <ul style="list-style-type: none"> ◦ Requis (paramètre de l'usine) ◦ Interrompre OK 	<p>Permet à l'onduleur d'envoyer une alerte de batterie faible lorsque les batteries se déchargent jusqu'au niveau de charge sélectionné pendant une panne de courant.</p> <p>L'arrêt temporisé définit la durée maximale de fonctionnement de la batterie en secondes ou en minutes que l'onduleur fournira pendant une panne de courant. Utiliser le paramètre DISABLE (désactiver) pour la durée de fonctionnement la plus longue possible de la batterie.</p> <p>L'arrêt pour batterie faible définit le temps maximum de décharge de la batterie avant que l'onduleur se mette hors tension en raison de la batterie faible. Le paramètre DISABLE (désactiver) permet aux batteries de se décharger jusqu'à 0 % avant l'arrêt.</p> <p>Le paramètre « Beep Delay » (délai du bip) permet de retarder l'alarme sonore jusqu'à 120 secondes afin d'empêcher l'alarme sonore de retentir en réponse à des pannes de courant de courte durée.</p> <p>L'onduleur communiquera l'arrêt en envoyant un message aux systèmes connectés avant l'arrêt de l'onduleur. Le paramètre INTERRUPT OK (interrompre OK) interrompra le message d'arrêt si l'alimentation est rétablie après l'envoi du message d'arrêt.</p>	
	Réglages DB9 : <ul style="list-style-type: none"> • Réglages DB9 <ul style="list-style-type: none"> ◦ Broches de sortie 1 et 5 <ul style="list-style-type: none"> - En mode batterie (paramètre d'usine) - En mode dérivation - Sortie activée - Batterie faible (en mode batterie seulement) ◦ Broches de sortie 8 et 5 <ul style="list-style-type: none"> - En mode batterie - En mode de dérivation - Sortie activée - Batterie faible (en mode batterie seulement—paramètre d'usine par défaut) ◦ Broches d'entrée 3 et 9 <ul style="list-style-type: none"> - Arrêt (en mode batterie seulement—paramètre d'usine par défaut) - Sortie désactivée - Réinitialiser - Sortie activée - Commutateur d'alimentation 	<p>L'onduleur signalera la condition sélectionnée en court-circuitant les broches 1 et 5 sur le port DB9. La tension maximale et le débit de courant dans cette connexion à contact sec est 30 VCC 10 mA.</p> <p>L'onduleur signalera la condition sélectionnée en court-circuitant les broches 8 et 5 sur le port DB9. La tension maximale et le débit de courant dans cette connexion à contact sec est 30 VCC 10 mA.</p> <p>L'onduleur effectuera l'action sélectionnée lorsque les broches 3 et 9 sont court-circuitées sur le port DB9 pendant au moins 4 secondes.</p> <p>Pour l'option Réinitialiser (sortie désactivée pendant 30 secondes avant la réinitialisation) : il est à noter que les broches doivent être court-circuitées pendant au moins 4 secondes pour effectuer la réinitialisation. La réinitialisation a lieu à exactement 4 secondes. Si les broches continuent d'être court-circuitées pendant plus de 4 secondes, aucune autre action ne doit être prise. L'onduleur ne prend aucune action lors de l'annulation du court-circuit.</p> <p>L'option Power Toggle (interrupteur d'alimentation) sert à garder l'appareil sous tension lorsque les broches ne sont pas court-circuitées et hors tension lorsque les broches sont court-circuitées. Il est à noter que cette entrée ne peut pas alimenter l'appareil d'un état hors tension à moins qu'une alimentation CA valide soit appliquée (cette fonction n'imposera pas un démarrage à froid). Pour la mise sous tension, les broches ne doivent pas être court-circuitées pendant au moins 4 secondes et l'alimentation CA doit être valide. Pour la mise hors tension, les broches doivent être court-circuitées pendant au moins 4 secondes.</p> <p>L'onduleur effectuera l'action sélectionnée si le signal USB depuis un dispositif connecté est perdu en mode d'alimentation en ligne pendant la durée sélectionnée.</p>	
	À propos de		
	Informations sur l'onduleur	Numéro de modèle de l'onduleur, numéro de série de l'onduleur, date d'installation de l'onduleur	La date d'installation de l'onduleur est définie automatiquement par l'appareil après 2 heures de fonctionnement continu.
	Identifiant du réseau	Micrologiciel de la carte auxiliaire de gestion Web, adresse IPv4, adresse IPv6, adresse MAC	
	Micrologiciel	Versions de micrologiciel de l'onduleur	
Accès mobile	—	Dirige l'utilisateur vers l'interface de la carte SNMP. L'URL est une connexion HTTPS sécurisée.	
DOCUMENTATION			
Code QR de la documentation	—	Dirige l'utilisateur vers la documentation du produit sur le site Web de Tripp Lite.	

Configuration des modules de batteries externes

Les onduleurs SmartOnline de Tripp Lite prennent en charge le raccordement des modules de batteries externes pour activer le fonctionnement prolongé de l'onduleur. Afin de permettre à l'onduleur de fournir des niveaux de charge efficaces et des prévisions exactes concernant le fonctionnement pour un fonctionnement optimal du réseau avant d'envoyer des messages d'arrêt automatique, les modules de batteries externes doivent être configurés avec l'onduleur au moment de l'installation.

Deux méthodes sont disponibles pour configurer les modules de batteries externes avec l'onduleur, selon le module de batteries sélectionné et la quantité ajoutée à l'onduleur. La configuration de certains modules de batteries peut nécessiter l'utilisation de plus d'une méthode de configuration.

Configurée AUTOMATIQUEMENT (en utilisant les modules de batteries SMART)	Ou en utilisant le LOGICIEL DE CONFIGURATION DES BATTERIES EXTERNES
L'onduleur prend en charge la détection automatique de jusqu'à 4 MODULES DE BATTERIES SMART raccordés à l'onduleur.	Le logiciel de configuration des batteries externes peut être utilisé pour configurer l'onduleur pour toute quantité de modules de batteries externes SMART et NON-SMART prise en charge.

Les *modules de batteries SMART* de Tripp Lite incluent une liaison de données câblées qui permet la détection et la configuration automatiques de jusqu'à 4 modules de batteries SMART à l'onduleur. Les *modules de batteries NON-SMART Legacy* de Tripp Lite sont également pris en charge pour des applications dont le temps de fonctionnement est prolongé, mais nécessitent la configuration par l'utilisateur par le biais de l'utilisation du LOGICIEL DE CONFIGURATION DES BATTERIES EXTERNES.

Configuration des MODULES DE BATTERIES SMART et NON-SMART

Ajouter jusqu'à 4 MODULES DE BATTERIES SMART à l'onduleur

Jusqu'à 4 modules de batteries SMART peuvent être connectés à l'onduleur pour une détection et une configuration entièrement automatique. Les modules de batteries SMART incluent une liaison de données câblées raccordée au port de détection du module de batteries de l'onduleur qui permet la détection et la configuration automatiques par l'onduleur.

Pour configurer l'onduleur pour une utilisation avec jusqu'à 4 MODULES DE BATTERIES SMART, raccorder simplement les câbles POWER (alimentation) et DATA (données) entre l'onduleur et le premier MODULE DE BATTERIES SMART. Raccorder ensuite les câbles POWER (alimentation) et DATA (données) pour les MODULES DE BATTERIES SMART supplémentaires à celui qui se trouve devant. L'onduleur détectera et configurera automatiquement jusqu'à 4 MODULES DE BATTERIES SMART vers l'onduleur.

Ajouter plus de 4 MODULES DE BATTERIES SMART à l'onduleur

Les onduleurs SmartOnline prennent en charge la détection automatique de jusqu'à 4 MODULES DE BATTERIES SMART comme décrit ci-dessus. Si plus de quatre modules de batteries doivent être configurés, tous les modules doivent être configurés via le logiciel de configuration BP. Dans cette configuration, ne pas connecter le câble de la batterie Smart aux modules de batteries externes.

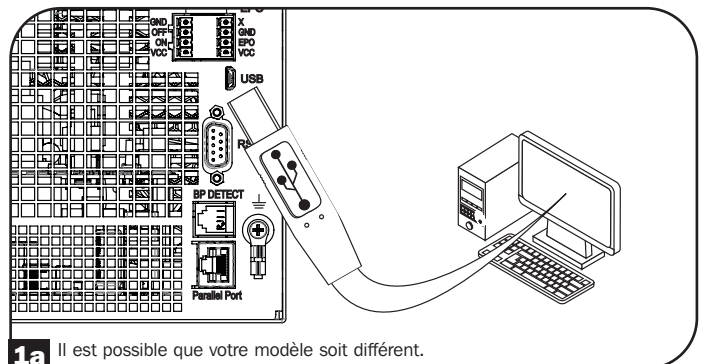
Connexions optionnelles

L'onduleur fonctionnera correctement sans ces connexions.

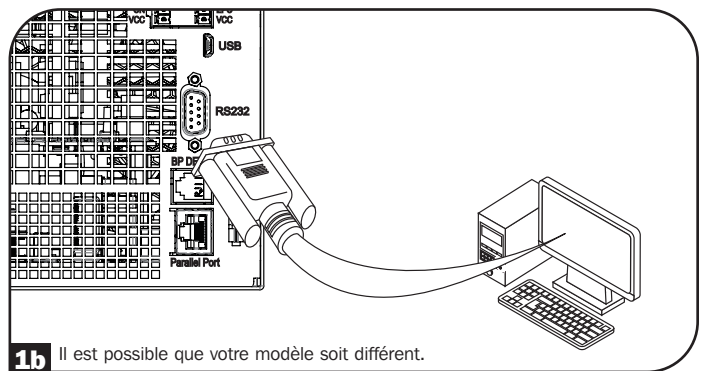
1 Communications à contact sec USB RS-232

Utiliser le câble USB inclus (voir la figure 1a) et/ou le câble de série RS-232 (voir la figure 1b) pour connecter le port de communication de l'ordinateur au port de communication de l'onduleur. Sur l'ordinateur, installer le logiciel PowerAlert de Tripp Lite compatible avec le système d'exploitation. Veuillez consulter le manuel PowerAlert pour obtenir plus de renseignements.

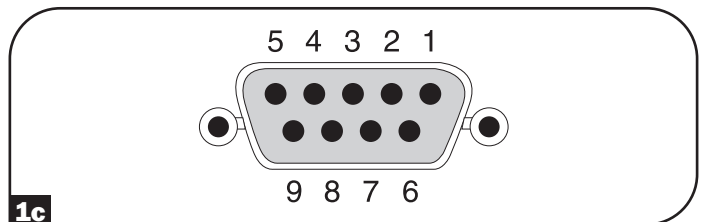
1c Les communications à contact sec RS-232 sont simples à utiliser, mais une certaine connaissance de l'électronique est nécessaire pour les configurer. Les assignations de broches du port RS-232 sont illustrées sur le diagramme. Si la batterie de l'onduleur est faible, l'onduleur envoie un signal en créant un pont entre les broches 8 et 5. En cas de panne de courant, l'onduleur envoie un signal en créant un pont entre les broches 1 et 5. Pour mettre l'onduleur hors tension à distance, court-circuiter les broches 3 à 9 pendant au moins 4 secondes. Des fonctions supplémentaires de ces broches peuvent être configurées par le biais de l'écran ACL ou via la communication de la carte auxiliaire de gestion Web.



1a Il est possible que votre modèle soit différent.



1b Il est possible que votre modèle soit différent.

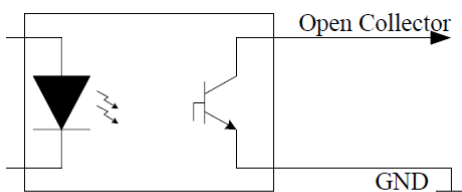


1c

BROCHE	Description de l'attribution	
	RS-232	Contact sec
1		Échec de l'utilitaire (collecteur ouvert)
2	Onduleur TxD	
3	Onduleur RxD	Arrêt à distance (5 à 12 V)
4	Réservé	Réservé
5	GND (masse)	GND (masse)
6	Réservé	Réservé
7		
8		Batterie faible (collecteur ouvert)
9		+12 V (source 1 K Ω)

Valeur nominale et caractéristiques de la broche 1 et 8 vers la masse

Paramètre	Valeur	Conditions
Tension maximale du collecteur	30 V	
Courant maximum du collecteur	10 mA	
Tension inverse maximale du collecteur	-5 V	
Courant de fuite maximum	0,1 μ A	Tension du collecteur = 20 V, la fonction de la broche n'est pas active
Chute de la tension typique	0,5 V	Courant du collecteur = 5 mA, la fonction de la broche est active



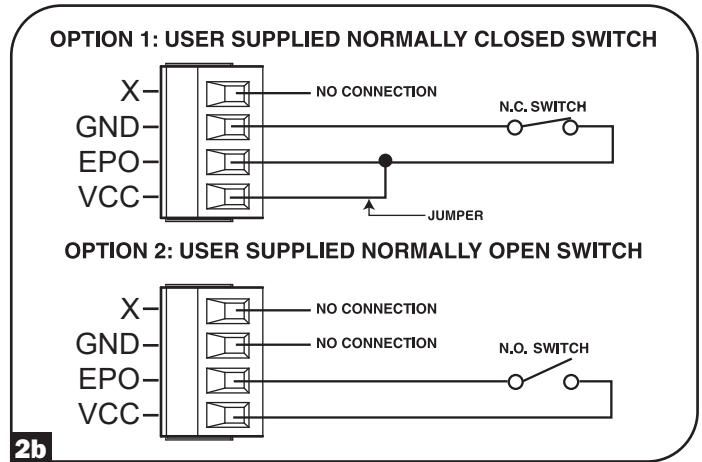
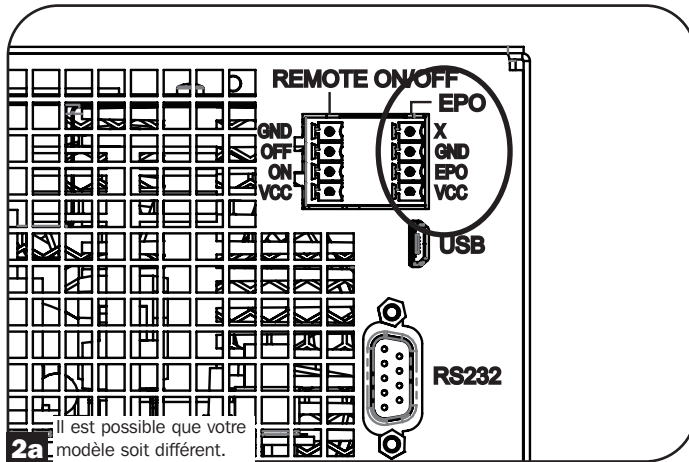
Open Collector Circuit

Connexions optionnelles

2 Connexion du port EPO

Cette caractéristique en option est seulement pour les applications qui nécessitent une connexion à un circuit de mise hors tension d'urgence (EPO) d'une installation. Lorsque l'onduleur est connecté à ce circuit, l'onduleur passe en attente de défaillance. Connecter le port EPO de l'onduleur (consulter **2a**) à un commutateur fourni par l'utilisateur, normalement fermé ou normalement ouvert selon le diagramme du circuit (consulter **2b**).

Remarque : Le bloc de jonction à 4 broches prend en charge des calibres de fil de 14 à 30 AWG avec une longueur dénudée de 7 mm. Les vis de borne M2 doivent être serrées entre 0,22~0,25 Nm. Si un commutateur EPO sans maintien est utilisé, l'EPO doit être maintenu pendant au moins 1 seconde. Cela ne s'applique pas à un commutateur EPO avec maintien.



État de l'onduleur à l'assertion de l'EPO avec une entrée CA valide présente :

Sortie CA	État de l'écran ACL	État des voyants à DEL	USB	De série	SNMP
Éteint	EPO actif	Seul le voyant de l'entrée CA est allumé.	Éteint	Éteint	Éteint

Pour redémarrer l'onduleur après l'assertion EPO avec une entrée CA valide présente :

- Vérifier que l'assertion de l'EPO a été enlevée ou supprimée.
- Appuyer sur le bouton POWER ON/OFF (alimentation activée/désactivée) et le maintenir enfoncé jusqu'à ce qu'il émette un bip. L'onduleur va maintenant redémarrer dans l'un des modes de fonctionnement normal configuré au préalable.

État de l'onduleur à l'assertion de l'EPO sans entrée CA valide présente (mode batterie) :

Sortie CA	État de l'écran ACL	État des voyants à DEL	USB	De série	SNMP
Éteint	EPO actif	Éteint	Éteint	Éteint	Éteint

Pour redémarrer l'onduleur après l'assertion de l'EPO :

- Vérifier que l'assertion de l'EPO a été enlevée ou supprimée.
- Appuyer sur le bouton POWER ON/OFF (alimentation activée/désactivée) et le maintenir enfoncé jusqu'à ce qu'il émette un bip. L'onduleur va maintenant redémarrer en mode batterie ou dans le mode de fonctionnement normal configuré au préalable (si l'alimentation CA est présente).

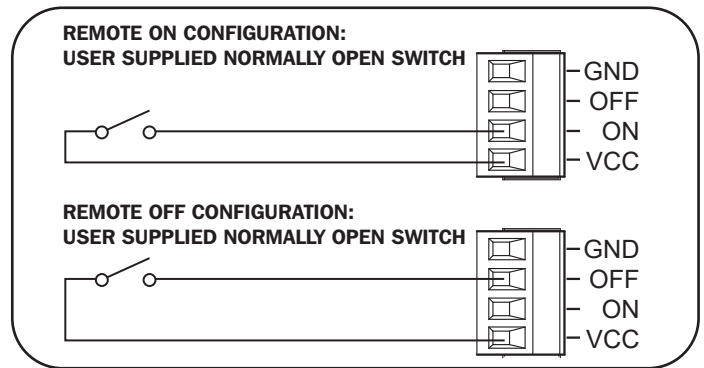
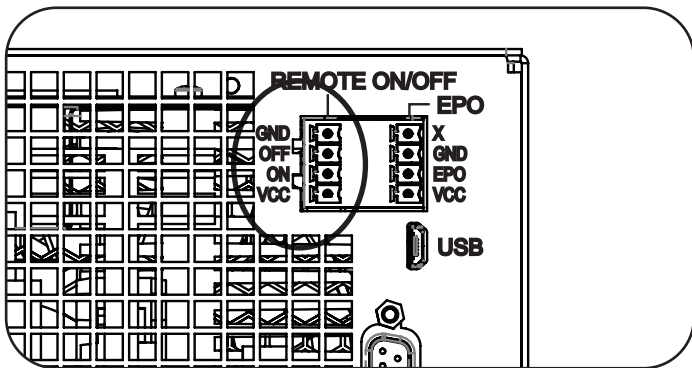
Connexions optionnelles

3 Configuration de la mise sous/hors tension à distance

Cette fonctionnalité sert à faire passer l'onduleur en mode de dérivation pour la configuration de la mise hors tension à distance ou en mode en ligne pour la configuration de la mise sous tension à distance.

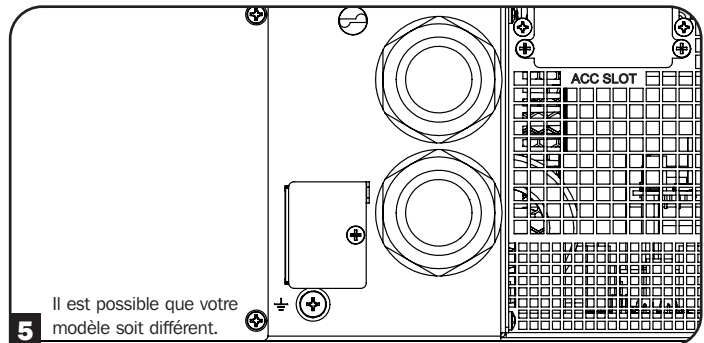
Remarque : Le bloc de jonction à 4 broches prend en charge des calibres de fil de 14 à 30 AWG avec une longueur dénudée de 7 mm. Les vis de borne M2 doivent être serrées entre 0,22~0,25 Nm. **Remarque :** Avant d'activer la fonction de mise sous tension à distance, vérifier que l'entrée CA est présente et valide.

Remarque : Avant d'activer la fonction de mise sous tension à distance, vérifier que l'entrée CA est présente et valide. Le bloc de jonction à 4 broches prend en charge des calibres de fil de 14 à 30 AWG avec une longueur dénudée de 7 mm. Les vis de borne M2 doivent être serrées entre 0,22~0,25 Nm.



4 Connexion des batteries externes

Vérifier la section **Accessoires spécifiques à certains modèles** sous **Vue d'ensemble** pour les modules de batteries compatibles et les quantités maximales pour l'onduleur. S'assurer que le module de batteries correspond à la tension mentionnée à côté du connecteur de la batterie de l'onduleur. Ajouter des batteries externes augmentera le temps de fonctionnement de même que le temps de recharge. Consulter le manuel d'utilisation de la batterie pour obtenir des instructions d'installation et de configuration complètes. S'assurer de fixer d'abord le fil de mise à la terre du câble de la batterie à la vis de mise à la terre située près du connecteur CC. Connecter le connecteur CC et s'assurer qu'il est complètement inséré dans ses connecteurs avant de le fixer en place avec la vis de serrage. Il est normal que la connexion de la batterie produise de petites étincelles. Ne pas brancher ou débrancher le module de batteries quand l'onduleur est alimenté par les batteries.



IMPORTANT! Pour permettre à l'écran ACL de la durée de fonctionnement restante et aux écrans d'information du logiciel de prédire avec précision la durée de fonctionnement avec les modules de batteries externes connectés, la configuration doit être faite via la méthode de communication par batterie Smart (limite de 4 modules de batteries Smart), via l'écran ACL du panneau avant ou le logiciel de configuration des batteries externes de Tripp Lite. Consulter la section **Configuration des modules de batteries externes** sous **Opérations**.



Lors de l'installation d'un module de batteries externes, observer tous les avertissements sur les batteries externes dans la section **Consignes de sécurité importantes** de ce manuel et suivre les instructions d'installation de module de batteries externes.

Dépannage et registre d'événements

Consulter le tableau ci-dessous pour des explications des anomalies et des avertissements de l'onduleur qui est accessible via la fonctionnalité Registre d'événements via l'écran ACL ou le logiciel PowerAlert, ainsi que des suggestions de solutions pour chaque anomalie/avertissement.

Message de l'écran ACL	Texte de l'en-tête de l'écran ACL	Commentaires
Erreurs/anomalies internes de l'onduleur :		
Surintensité de l'inverseur	** ANOMALIE **	Si le problème persiste, consulter Tripp Lite.
Surintensité de l'inverseur	** ANOMALIE **	Si le problème persiste, consulter Tripp Lite.
OCP de l'inverseur anormal	** ANOMALIE **	Si le problème persiste, consulter Tripp Lite.
Tension du bus de l'inverseur	** ANOMALIE **	Si le problème persiste, consulter Tripp Lite.
Perte de communication interne	** ANOMALIE **	Si le problème persiste, consulter Tripp Lite.
Anomalie LCR	** ANOMALIE **	L'onduleur ne s'allume pas. Si le problème persiste, consulter Tripp Lite.
Dépassement de temps de la transaction	** ANOMALIE **	Si le problème persiste, consulter Tripp Lite.
Arrêt d'urgence	** ANOMALIE **	Si le problème persiste, consulter Tripp Lite.
Anomalie RTOS	** ANOMALIE **	Si le problème persiste, consulter Tripp Lite.
Alimentation faible	** ANOMALIE **	Si le problème persiste, consulter Tripp Lite.
Anomalie de la dérivation manuelle	** ANOMALIE **	Si le problème persiste, consulter Tripp Lite.
Anomalie de précharge PFC	** ANOMALIE **	Si le problème persiste, consulter Tripp Lite.
Surtension PFC	** ANOMALIE **	Si le problème persiste, consulter Tripp Lite.
Sous tension PFC	** ANOMALIE **	Si le problème persiste, consulter Tripp Lite.
Surtension PFC	** ANOMALIE **	Si le problème persiste, consulter Tripp Lite.
Sous tension PFC	** ANOMALIE **	Si le problème persiste, consulter Tripp Lite.
Surintensité PFC	** ANOMALIE **	Si le problème persiste, consulter Tripp Lite.
Surintensité PFC	** ANOMALIE **	Si le problème persiste, consulter Tripp Lite.
Non-concordance de l'en-tête	** ERREUR **	Si le problème persiste, consulter Tripp Lite.
Ventilateur défectueux, tr/min faible	** ERREUR **	Si le problème persiste, consulter Tripp Lite.
Non-concordance des sommes de contrôle NVR	** ERREUR **	Si le problème persiste, consulter Tripp Lite.
NVR invalide	** ERREUR **	Si le problème persiste, consulter Tripp Lite.
Échec de l'oscillateur de l'HTR	** ERREUR **	Si le problème persiste, consulter Tripp Lite.
Données de l'HTR corrompues	** ERREUR **	Si le problème persiste, consulter Tripp Lite.
Erreur de connexion	** ERREUR **	Si le problème persiste, consulter Tripp Lite.
Erreur d'écriture EEPROM	** ERREUR **	Si le problème persiste, consulter Tripp Lite.
Surtension du ventilateur	** ERREUR **	Si le problème persiste, consulter Tripp Lite.
Le ventilateur ne fonctionne pas	** ERREUR **	Si le problème persiste, consulter Tripp Lite.
Somme de contrôle de l'état NVR	** ERREUR **	Si le problème persiste, consulter Tripp Lite.
Partage de la charge	** ERREUR **	Si le problème persiste, consulter Tripp Lite.
Échec de l'état de santé de la batterie	** ERREUR **	Si le problème persiste, consulter Tripp Lite.
Événement en double en file d'attente	** ERREUR **	Si le problème persiste, consulter Tripp Lite.
Débordement de la file d'attente EEPROM	** ERREUR **	Si le problème persiste, consulter Tripp Lite.
Erreurs/anomalies liées à la charge/température :		
Température excessive	** ANOMALIE **	Dans ce mode, la plupart des circuits de puissance devraient être hors tension, réduisant ainsi la température. Une fois en mode de dérivation d'anomalie, si la température excède le seuil de température excessive pendant 5 minutes, l'appareil passera en mode inactif verrouillé.
Surcharge	** ANOMALIE **	L'appareil devrait automatiquement passer du mode de dérivation d'anomalie à ECO/ en ligne (libération de la surcharge) lorsque la charge est réduite à moins de 95 % systématiquement pendant 10 secondes.

Dépannage et registre d'événements

Message de l'écran ACL	Texte de l'en-tête de l'écran ACL	Commentaires
Erreurs/anomalies liées à la batterie/au chargeur :		
Tension maximale de la batterie	** ANOMALIE **	Si le problème persiste, consulter Tripp Lite.
Tension minimale de la batterie	** ANOMALIE **	Si le problème persiste, consulter Tripp Lite.
Courant maximum de la batterie	** ANOMALIE **	Si le problème persiste, consulter Tripp Lite.
Sous-tension du chargeur	** ERREUR **	Le chargeur fonctionne, mais la tension de charge est trop faible.
Surtension du chargeur	** ERREUR **	Le chargeur fonctionne, mais la tension de charge est trop élevée.
Surintensité du chargeur	** ERREUR **	Le chargeur fonctionne, mais le courant de charge est trop élevé.
Sous-courant du chargeur	** ERREUR **	Le chargeur fonctionne, mais le courant de charge est trop faible.
Erreur matérielle du chargeur	** ERREUR **	Si le problème persiste, consulter Tripp Lite.
Aucune batterie	** ERREUR **	S'il n'y a aucune batterie, seuls les transferts de ECO à en ligne auront lieu.
Surtension de la batterie	** ERREUR **	Si le problème persiste, consulter Tripp Lite.
Remplacer la batterie	** ERREUR **	
Basse tension de la batterie	** ALERTE **	
Bas % de la batterie et arrêt	** ALERTE **	
En mode batterie, SD temporisé	** ALERTE **	
Autres avertissements et événements :		
Nombre de BP changés	** ALERTE **	Si ce changement est inattendu, vérifier les communications de la batterie Smart.
Arrêt d'urgence	** ALERTE **	Vérifier l'état et les réglages du commutateur d'arrêt d'urgence (EPO)
Module de distribution de l'alimentation de dérivation débranché	** ALERTE **	
Arrêt pour économie d'énergie	** ALERTE **	
Alerte pour l'âge de la batterie non Smart	** ALERTE **	La batterie non Smart doit être remplacée.
Alerte pour l'âge de la batterie interne	** ALERTE **	La batterie interne devra peut-être être remplacée.
Alerte pour l'âge de la batterie externe	** ALERTE **	La batterie Smart externe { S/N } devra peut-être être remplacée.

Remplacement des batteries internes

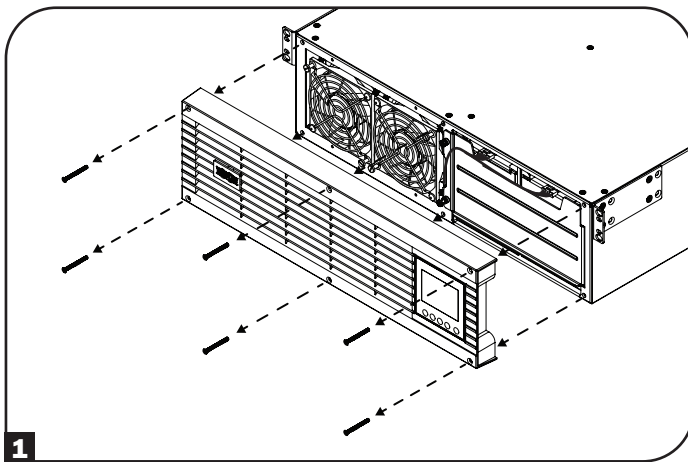


Porte de remplacement de la batterie : dans des conditions normales, les batteries originales de l'onduleur dureront plusieurs années. Cependant, les batteries ne sont pas remplaçables à chaud. Le remplacement des batteries ne devrait être effectué que par un personnel qualifié. Consulter les « Avertissements portant sur les batteries » de la section **Sécurité**. Si une batterie de remplacement est requise, elle est disponible à tripplite.com/support/battery/index.cfm. Consulter le tableau ci-dessous pour trouver la batterie de remplacement qui conviendra à l'onduleur :

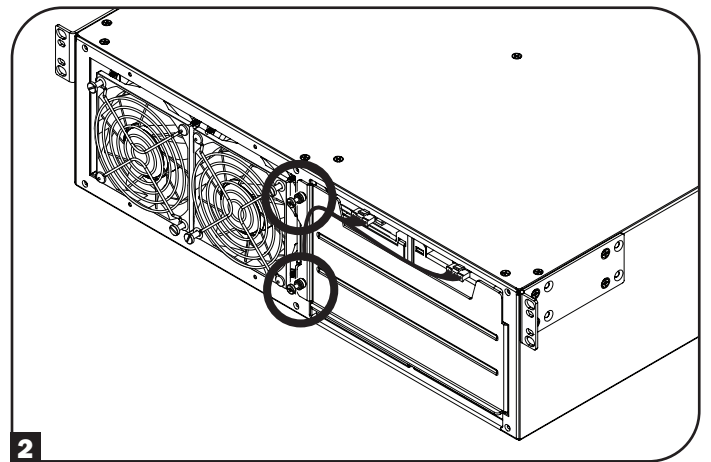
Modèle de l'onduleur	Cartouche de batterie de remplacement
SU5KRT3UHV	RBC58-3US
SU5KRT3UX	RBC58-3US
SU5KRT3UG	RBC58-3US
SU5KRT3UHW	RBC58-3US
SU6KRT3UHV	RBC58-3US
SU6KRT3UX	RBC58-3US
SU6KRT3UG	RBC58-3US
SU6KRT3UHW	RBC58-3US

Consultez les diagrammes suivants pour savoir comment enlever et remettre la batterie.

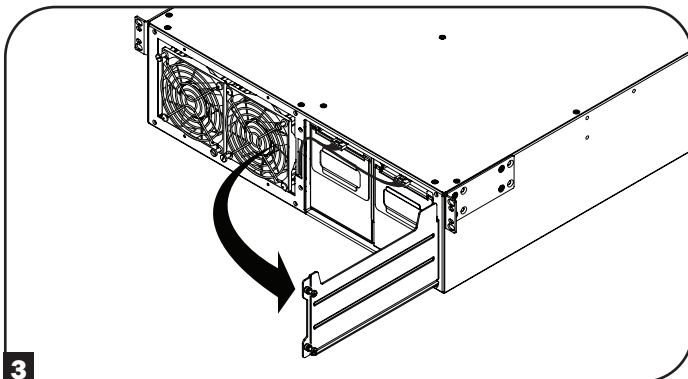
- 1** Retirer les six vis avant du cadre avant, puis retirer le cadre de l'onduleur. Suspendre le cadre sur le crochet disponible.



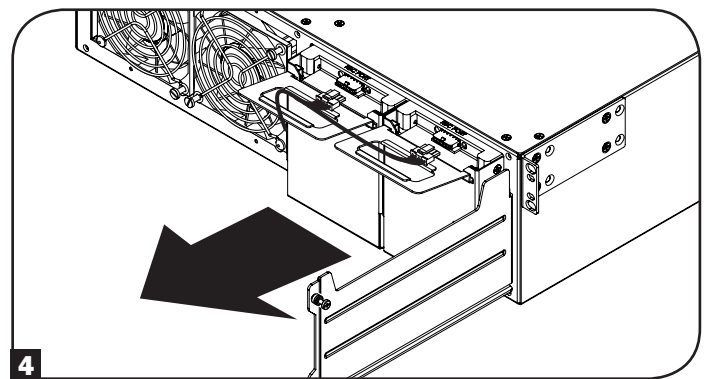
- 2** Desserrer les deux vis imperdables retenant le volet de la batterie.



- 3** Ouvrir le volet de la batterie.

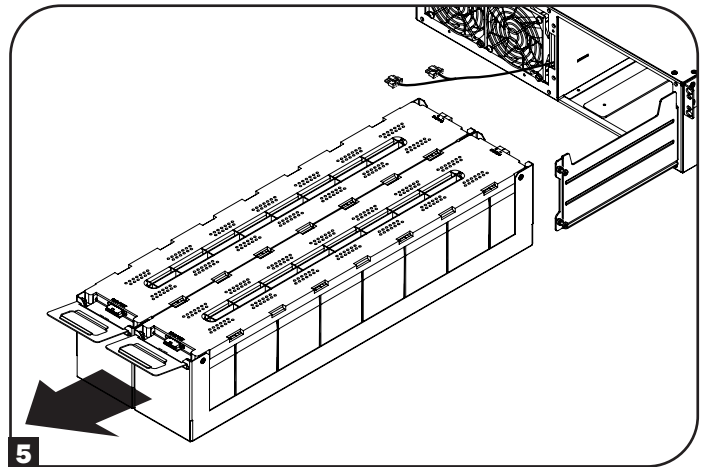


- 4** En utilisant les poignées fixées à chaque support, tirer légèrement sur les vieux supports de batteries, puis déconnecter les câbles de communication.



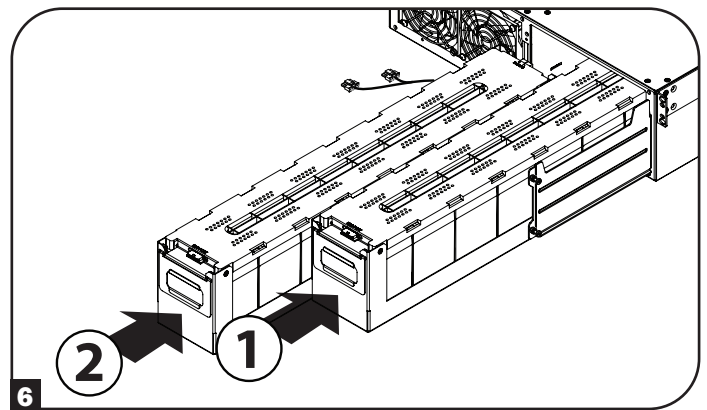
Remplacement des batteries internes

- 5** Une fois que les câbles de communication ont été déconnectés. Retirer les deux vieux supports de batteries de l'onduleur.

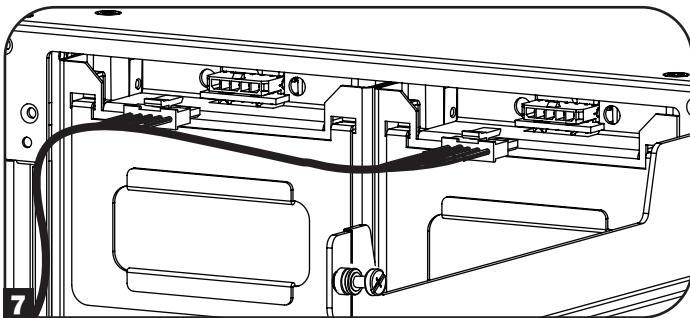


- 6** Lors de l'installation de nouvelles batteries de rechange, s'assurer que l'extrémité du connecteur CC rouge et noir est tournée vers l'arrière de l'onduleur et que le port de communication est tourné vers l'avant de l'onduleur. En commençant avec le support de module de batteries de rechange du côté droit, insérer le support de module de batteries en s'assurant qu'il dépasse légèrement de l'onduleur. Répéter pour le support de module de batteries de gauche.

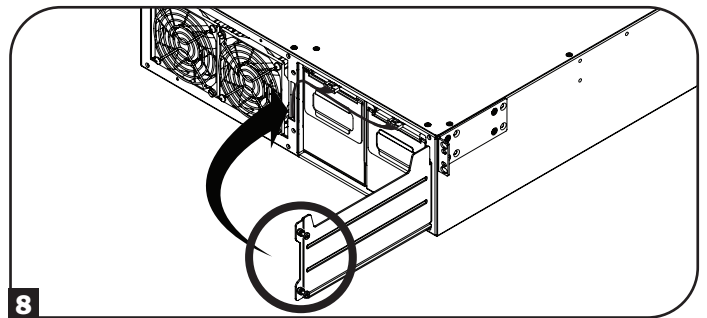
Remarque : Pour un meilleur accès au connecteur, fixer les connecteurs du câble de communication avant d'insérer complètement les modules de batteries dans l'onduleur.



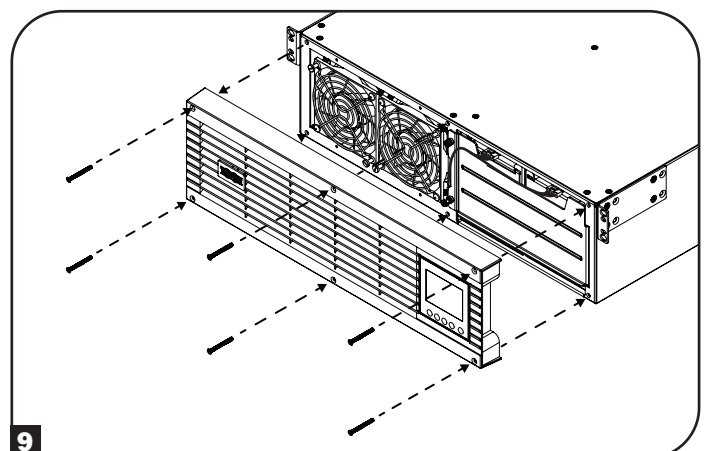
- 7** Reconnecter les câbles de communication de la batterie aux supports de batterie, puis les pousser complètement à l'intérieur de l'onduleur.



- 8** Fermer le volet de batterie, puis le retenir en place en serrant les vis imperdables.



- 9** Rattacher le cadre avant à l'onduleur, puis le retenir avec les vis retirées à l'étape **1**.



Remplacement du ventilateur

Dans des conditions normales, l'installation du ventilateur original durera plusieurs années. Les ensembles de ventilateur sont remplaçables. Des remplacements sont disponibles à tripplite.com/support.

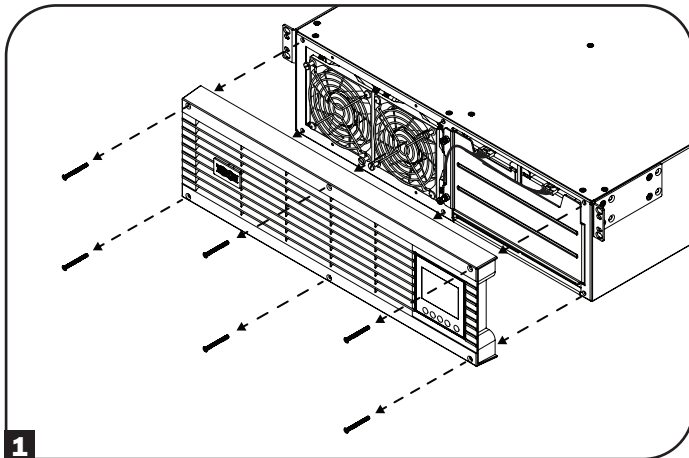


MISE EN GARDE : La circuiterie du ventilateur n'est pas isolée du secteur CA. Couper l'alimentation vers l'onduleur avant de remplacer le ventilateur. Le remplacement du ventilateur doit être confié uniquement à du personnel du service électrique qualifié.

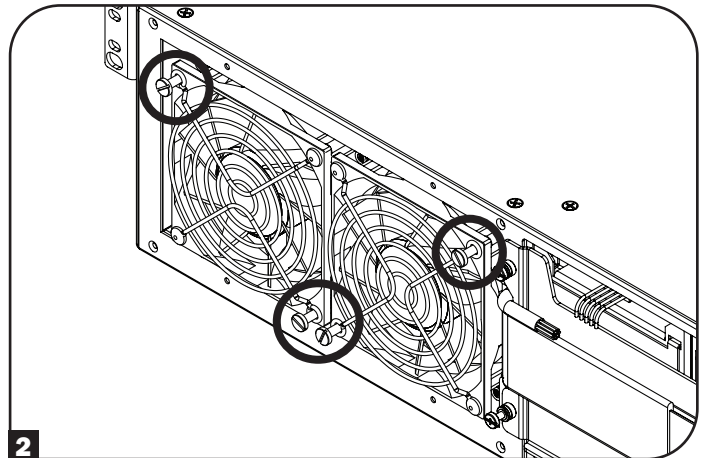


Avant de retirer les ensembles de ventilateur, prendre en note l'orientation du ventilateur. Pour une installation et une connectivité appropriées, les ventilateurs doivent rester dans leur orientation originale.

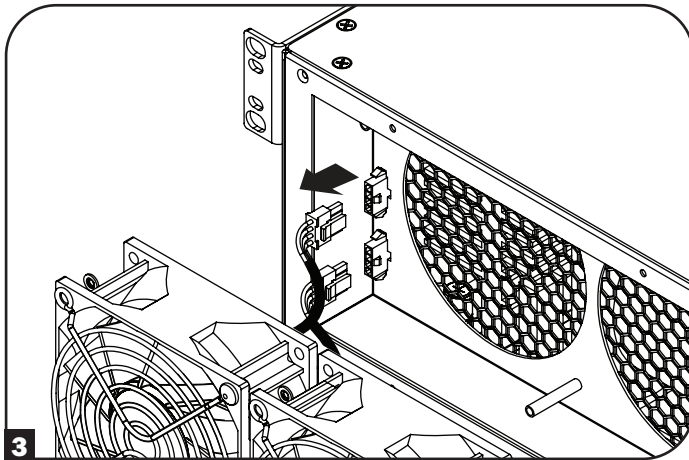
1 Retirer les six vis avant du cadre avant, puis retirer le cadre de l'onduleur. Suspendre le cadre sur le crochet disponible.



2 Pour remplacer le ventilateur du côté gauche ou le ventilateur du côté droit, utiliser un tournevis à tête plate ou retirer la vis gauche du coin supérieur gauche et la vis droite du coin inférieur droit fixées à chaque ventilateur.

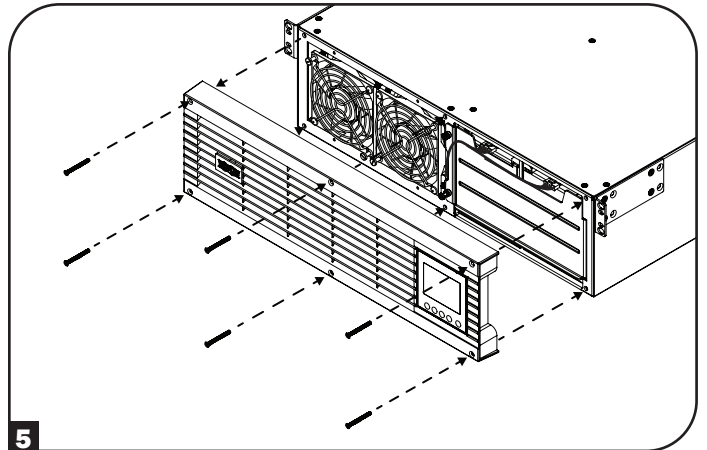


3 Déconnecter le ou les câbles du ventilateur qui se trouvent à gauche des ventilateurs.



4 Installer le ou les ventilateurs de remplacement. Connecter le ou les câbles dans le même ordre qu'à l'étape 3, puis fixer le ou les ventilateurs à l'onduleur au même endroit et dans la même orientation qu'à l'étape 2.

5 Rattacher le cadre avant à l'onduleur, puis le retenir avec les vis retirées à l'étape 1.



Entreposage et entretien

Entreposage

Mettre d'abord l'onduleur hors tension : appuyer sur le bouton « OFF » (arrêt) pour couper l'alimentation aux prises de l'onduleur, puis débrancher le cordon d'alimentation. Ensuite, débrancher tout l'équipement pour éviter la décharge des batteries. Si l'onduleur est entreposé pendant une période de temps prolongée, recharger complètement la batterie de l'onduleur tous les trois mois en branchant l'onduleur dans une prise CA sous tension et en le laissant charger de 4 à 6 heures. Si les batteries de l'onduleur sont laissées déchargées pendant une période de temps prolongée, cela pourrait nuire à leur capacité de façon permanente.

Entretien

Le produit Tripp Lite est couvert par la garantie décrite dans ce manuel. Une variété de programmes de garantie prolongée et de service d'entretien sont également offerts par Tripp Lite. Pour obtenir plus de renseignements sur le service, visiter tripplite.com/support. Avant de retourner le produit pour la réparation, procéder comme suit :

1. Passer en revue les procédures d'installation et de fonctionnement dans ce manuel afin de s'assurer que le problème ne provient pas d'une mauvaise interprétation des instructions.
2. Si le problème persiste, ne pas communiquer avec le fournisseur et ne pas lui renvoyer le produit. Visiter plutôt tripplite.com/support.
3. Si le problème nécessite une réparation, visiter tripplite.com/support et cliquer sur le lien de retours de produit. À partir de ce point, il est possible de demander une autorisation de retour de matériel (RMA), qui est requise pour le service. Ce simple formulaire en ligne demandera le modèle de l'appareil et le numéro de série, ainsi que d'autres informations générales. Le numéro RMA ainsi que des instructions d'expédition seront envoyés par courriel. Les dommages (directs, indirects, particuliers ou consécutifs) encourus par le produit lors du transport à Tripp Lite ou à un service autorisé Tripp Lite ne sont pas couverts par la garantie. Les frais liés au transport des produits expédiés à Tripp Lite ou à un centre de service autorisé Tripp Lite doivent être entièrement payés d'avance. Inscrire le numéro de RMA à l'extérieur de l'emballage. Si le produit est dans sa période de garantie, joindre une copie du reçu de caisse. Retourner le produit pour réparation par un transporteur assuré à l'adresse fournie lors de la demande de « RMA ».

Garantie

Garantie limitée de 2 ans

TRIPP LITE garantit que ses produits, y compris les batteries, sont exempts de vices de matériaux et de fabrication pendant une période de deux ans à partir de la date d'achat initiale. Après 90 jours à compter de la date d'achat, la responsabilité de TRIPP LITE, en vertu de la présente garantie, se limite au remplacement des pièces sur ces produits défectueux. Pour obtenir une réparation sous la présente garantie, appeler TRIPP LITE ou un centre de réparation reconnu par TRIPP LITE. Les produits doivent être retournés à TRIPP LITE ou à un centre de réparation reconnu par TRIPP LITE en port prépayé et être accompagnés d'une brève description du problème et d'un justificatif de la date et du lieu d'achat. Cette garantie ne s'applique pas au matériel ayant été endommagé suite à un accident, à une négligence ou à une application abusive, ou ayant été altéré ou modifié d'une façon quelconque. Cette garantie s'applique uniquement à l'acheteur original qui doit avoir correctement enregistré le produit dans les 10 jours suivant l'achat.

Les garanties de tous les parasurtenseurs TRIPP LITE seront annulées s'ils ont été branchés à la sortie d'un onduleur. Les garanties de tous les onduleurs TRIPP LITE seront annulées si un parasurtenseur a été branché à ses prises de sorties.

SAUF DANS LES CAS PRÉVUS PAR LES PRÉSENTES, TRIPP LITE N'ACCORDE AUCUNE GARANTIE, EXPRESSE OU TACITE, Y COMPRIS DES GARANTIES DE QUALITÉ COMMERCIALE ET D'ADAPTATION À UN USAGE PARTICULIER. Certains États n'autorisant pas la limitation ni l'exclusion de garanties tacites, les limitations ou exclusions susmentionnées peuvent ne pas s'appliquer à l'acheteur.

À L'EXCEPTION DES DISPOSITIONS CI-DESSUS, TRIPP LITE NE POURRA EN AUCUN CAS ÊTRE TENUE RESPONSABLE DE DOMMAGES DIRECTS, INDIRECTS, SPÉCIAUX, FORTUITS OU CONSÉCUTIFS RÉSULTANT DE L'UTILISATION DE CE PRODUIT, MÊME SI AYANT ÉTÉ AVISÉE DE L'ÉVENTUALITÉ DE TELS DOMMAGES. Plus précisément, Tripp Lite ne pourra être tenu responsable de coûts, tels que perte de bénéfices ou de recettes, perte de matériel, impossibilité d'utilisation du matériel, perte de logiciel, perte de données, frais de produits de remplacement, réclamations d'un tiers ou autres.

Numéros d'identification à la conformité réglementaire :

À des fins de certification de conformité réglementaire et d'identification, un numéro de série unique a été attribué au produit Tripp Lite. Le numéro de série ainsi que toutes les marques d'homologation et les renseignements requis se trouvent sur la plaque signalétique du produit. Lors d'une demande de renseignements concernant la conformité de ce produit, toujours se reporter au numéro de série. Le numéro de série ne doit pas être confondu avec le nom de la marque ou le numéro de modèle du produit.

Garantie

Spécifications du FCC pour les modèles avec approbation de classe A du FCC :

Cet appareil est conforme à la partie 15 des règles de la FCC. Son fonctionnement est susceptible des 2 cas suivants : (1) cet appareil peut causer des interférences nuisibles et (2) cet appareil doit accepter toutes les interférences reçues, y compris les interférences qui peuvent causer un fonctionnement indésirable.

Remarque : Ce matériel a été testé et trouvé conforme aux restrictions applicables à un appareil numérique de classe A, conformément à la partie 15 des règlements de la FCC. Ces restrictions sont conçues pour assurer une protection raisonnable contre les perturbations nuisibles lorsque le matériel est utilisé dans un environnement commercial. Ce matériel génère, utilise et peut émettre de l'énergie radiofréquence et, s'il n'est pas installé et utilisé conformément aux instructions, peut causer des perturbations nuisibles aux communications radio. L'utilisation de cet équipement dans une zone résidentielle est susceptible d'entraîner des interférences dangereuses auquel cas l'utilisateur devra corriger les interférences à ses propres frais. L'utilisateur doit utiliser des câbles et des connecteurs blindés avec cet équipement. Tout changement ou toute modification apportés à ce matériel sans l'autorisation expresse de Tripp Lite peuvent annuler le droit de l'utilisateur d'utiliser cet équipement.

Spécifications de la CEM pour les modèles avec une homologation de catégorie C2 de la CEM (certains modèles) :

AVERTISSEMENT : Cet onduleur est un produit de catégorie C2. Dans un environnement résidentiel, ce produit peut produire des interférences radio, et dans un tel cas, l'utilisateur pourrait être tenu de prendre les mesures adéquates.

Renseignements sur la conformité à la directive DEEE pour les clients de Tripp Lite et les recycleurs (Union européenne)



En vertu de la directive et des règlements d'application relatifs aux déchets d'équipements électriques et électroniques (DEEE), lorsque des clients achètent de l'équipement électrique et électronique neuf de Tripp Lite, ils ont droit :

- D'envoyer l'équipement usagé au recyclage pourvu qu'il soit remplacé par un équipement équivalent (cela varie selon les pays)
- De retourner le nouvel équipement afin qu'il soit recyclé à la fin de sa vie utile

Avis de la FCC, section 68 (États-Unis seulement)

Si le modem ou le télécopieur du système de protection endommage le réseau téléphonique, la compagnie de téléphone peut discontinuer temporairement ses services. Si possible, elle avisera l'utilisateur à l'avance. Si le préavis n'est pas possible, l'utilisateur sera avisé le plus rapidement possible. L'utilisateur sera avisé de son droit de porter plainte auprès de la FCC. La compagnie de téléphone peut apporter des changements à ses installations, exploitation ou procédures pouvant nuire au fonctionnement normal de l'équipement. Si tel est le cas, l'utilisateur sera avisé à l'avance pour lui fournir l'occasion de maintenir un service ininterrompu. En cas de troubles avec le système de protection du modem ou du télécopieur de cet équipement, visiter triplite.com/support pour obtenir des renseignements sur la réparation et la garantie. La compagnie de téléphone peut demander à l'utilisateur de débrancher cet équipement du réseau jusqu'à ce que le problème soit corrigé ou que l'utilisateur soit convaincu que l'équipement fonctionne correctement. Aucune réparation ne peut être effectuée par le client au système de protection du modem ou du télécopieur. Cet équipement ne peut pas être utilisé sur le service payant offert par la compagnie de téléphone. La connexion aux lignes partagées est assujettie aux tarifs de l'État. (Contacter la Public Utility Commission ou la Corporation Commission de votre État pour obtenir plus de renseignements.)

Recyclage de l'onduleur et des batteries



Veillez recycler les produits Tripp Lite. Les batteries utilisées dans les produits Tripp Lite sont des batteries au plomb scellées. Ces batteries sont hautement recyclables. Se reporter aux codes locaux pour les exigences en ce qui a trait à l'élimination.

Appeler Tripp Lite pour des informations concernant le recyclage au +1 773 869-1234.

Visiter le site Web de Tripp Lite pour des informations actualisées sur le recyclage des batteries et des produits Tripp Lite.

Suivre ce lien : triplite.com/en/support/recycling-program.cfm

La politique de Tripp Lite en est une d'amélioration continue. Les caractéristiques techniques sont modifiables sans préavis. Les produits réels peuvent différer légèrement des photos et des illustrations.



Руководство пользователя

SmartOnline®

Однофазный стоечный онлайн-ИБП со встроенным ЖК-экраном для контроля и управления

Не предназначено для передвижной техники.

Модели:

**SU5KRT3UNV, SU5KRT3UX, SU5KRT3UG, SU5KRT3UHW,
SU6KRT3UNV, SU6KRT3UX, SU6KRT3UG, SU6KRT3UHW**

(Номер серии: AG-0358)

1. Краткое описание	104	6. Эксплуатация	116
Комплектация	104	ЖК-дисплей и элементы управления передней панели	116
Дополнительные комплектующие	104	Светодиодные индикаторы передней панели	116
2. Важные указания по технике безопасности	104	Функции кнопок передней панели	117
3. Электрическая блок-схема ИБП	107	Вид начального экрана	117
4. Установка	108	Подключение к основным элементам	118
Поворот внутренних батарей	108	и начальный запуск	
Монтаж в стойку	110	Варианты выбора режимов питания	121
Вертикальный монтаж	111	Варианты выбора и конфигурации	123
Жесткий кабельный ввод и вывод	112	с использованием ЖК-дисплея на передней панели ИБП	
Указания по монтажу электропроводки	113	Настройка внешнего блока аккумуляторных батарей	126
(для отдельных моделей опционально)		7. Разъемы для подключения опциональных элементов	127
Вход и выход ИБП: общее описание		8. Выявление и устранение неисправностей и журнал событий	130
5. Функциональные возможности	113	9. Замена внутренних батарей	132
Элементы управления передней панели,		10. Замена вентиляторов	134
светодиодные индикаторы и ЖК-экран	113	11. Хранение и техническое обслуживание	135
Функциональные элементы задней панели	114	12. Гарантийные обязательства	135
		English	1
		Español	35
		Français	69

ПРИМЕЧАНИЕ. Внешние блоки аккумуляторных батарей требуют настройки с использованием ЖК-интерфейса передней панели или при помощи предлагаемого компанией Tripp Lite программного обеспечения НАСТРОЙКИ ВНЕШНИХ БАТАРЕЙ.

EAC

TRIPP·LITE



Продукция высшего качества.

1111 W. 35th Street, Chicago, IL 60609 USA • tripplite.com/support

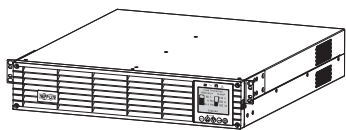
Охраняется авторским правом © 2020 Tripp Lite. Перепечатка запрещается. SmartOnline® является торговым знаком компании Tripp Lite.

Для получения последних обновлений приглашаем вас посетить наш сайт tripplite.com

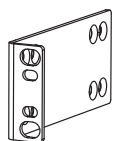
Краткое описание

Стоечные ИБП Tripp Lite SmartOnline с интерактивным ЖК-интерфейсом обеспечивают защиту в режиме онлайн с двойным преобразованием при непрерывной поддержке выходного напряжения чистой синусоидальной формы и нулевого времени переключения, что обуславливает их пригодность для расширенных прикладных задач в сетевых инфраструктурах. Каждый ИБП обеспечивает длительную работу от батарей с возможностями продления времени автономной работы и связи через веб-интерфейсы. Встроенные интерфейсы: Micro-USB, RS-232 (последовательный), EPO (аварийное отключение питания), ROO (дистанционное включение/отключение) и порт RJ-11 для подключения батарей типа "smart". Интерактивный ЖК-экран передней панели обеспечивает отображение подробной информации о статусе ИБП, а также возможность предварительной установки параметров и настройки элементов управления. Дополнительные возможности достижения максимального КПД и автоматической настройки режимов питания обеспечивают высокоэффективную работу с пониженным потреблением мощности и тепловыделением.

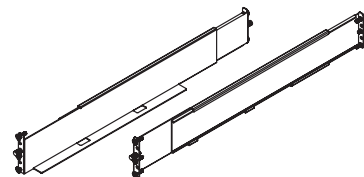
Комплектация



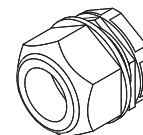
ИБП



Монтажные проушины с болтовым креплением (2 шт.)



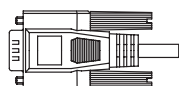
Комплект направляющих для монтажа в двухрамную стойку



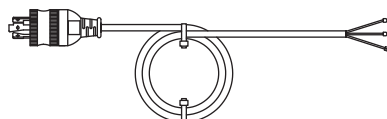
Компенсаторы натяжения жесткого кабельного ввода (2 шт.)



USB-кабель (1 шт.)



Кабель RS-232 (1 шт.)



(Для отдельных моделей)
Входной шнур питания переменного тока с разъемом L6-30P (1 шт.)



Руководство пользователя

Опциональные комплектующие (в комплект поставки не входят)

- 2POSTRMKITWM: комплект оснастки для монтажа стоечного ИБП и блоков аккумуляторных батарей в однорамную стойку или на стену
- 2-9USTAND: комплект оснастки для вертикального монтажа стоечного ИБП и блоков аккумуляторных батарей
- Внешний блок аккумуляторных батарей типа "SMART" мод. BP192V12RT3US: обеспечивает продление времени автономной работы ИБП



Важные указания по технике безопасности

СОХРАНИТЕ НАСТОЯЩИЕ УКАЗАНИЯ

В настоящем руководстве содержатся важные указания и предупреждения, которые необходимо соблюдать в процессе установки, эксплуатации, технического обслуживания и хранения всех ИБП и аккумуляторных батарей марки Tripp Lite. Игнорирование этих предупреждений может привести к потере гарантии.

Условные обозначения



Внимание — опасность!



Высокая температура — возможен перегрев



Опасность поражения электрическим током



Защитное заземление



Заземление с уравниванием потенциалов



Пригодно для переработки — содержит свинец

Pb



Важные указания по технике безопасности

Предупреждения относительно места размещения ИБП

- Данный ИБП предназначен для использования в закрытых помещениях с регулируемой температурой и относительно низким содержанием электропроводных загрязнителей. Устанавливайте ИБП в закрытом помещении вдали от источников избыточной влаги или тепла, электропроводных загрязнителей, пыли и прямого солнечного света.
- Температура окружающего воздуха в помещении должна поддерживаться в диапазоне от 0 до 40°C.
- Со всех сторон ИБП необходимо обеспечить достаточно свободного пространства для его надлежащего проветривания.
- ИБП оснащен несколькими удобными розетками, но в режиме работы по обходной цепи НЕ обеспечивает защиту подключенного оборудования от выбросов напряжения и шумов в линии.
- Не монтируйте устройство с заблокированной передней или задней панелью. Установка ИБП подобным образом приведет к созданию серьезных препятствий для системы внутренней вентиляции устройства и, в конечном итоге, к повреждению ИБП, на которое не распространяются гарантийные условия.

Предупреждения относительно установки и подключения ИБП

Все модели



ВНИМАНИЕ! Установка должна производиться только квалифицированным сервисным персоналом электротехнического профиля.

- Установку следует производить в соответствии с требованиями национальных электротехнических нормативов. Обязательно используйте подходящие для устанавливаемой системы устройства защиты от перегрузок по току в соответствии с номиналами, указанными на разъемах/оборудовании.
- Обязательно используйте восходящий автоматический выключатель с кривой отключения типа C.
- Защита от перегрузок по току должна обеспечиваться в системе, предназначенной для конечного пользователя, установка которой должна быть произведена в соответствии с местными и общенациональными правилами электромонтажа.
- При монтаже электропроводки в здании, предполагающем использование конфигураций с жестким кабельным подключением, должно предусматриваться наличие резервной защиты от короткого замыкания и защиты от перегрузок по току (для режима работы по обходной цепи и экономичного режима).
- Установка должна производиться на высоте не более 1 м.
- Оборудование предназначено для использования в системе распределения питания с заземлением типа TN-S.

Отдельные модели оснащаются штепсельным разъемом типа L6-30P



ВНИМАНИЕ! Для снижения риска возгорания следует производить подключение только к контуру, оснащеному защитой от перегрузок по току до 30 А с использованием шунтирующей цепи, класс которой должен соответствовать требованиям Национального свода законов и стандартов США по электротехнике (NEC) (ANSI/NFPA 70) и канадского свода законов и стандартов по электротехнике, часть I, C22.1.

- Сетевой штепсельный разъем L6-30P служит в качестве устройства защитного отключения. Электрические розетки, через которые осуществляется электропитание оборудования, должны быть установлены в легкодоступном месте вблизи него. В противном случае может использоваться локальное устройство защитного отключения.
- При наличии штепсельного разъема L6-30P НЕ СЛЕДУЕТ использовать жесткий кабельный ввод переменного тока. Это может привести к возникновению катастрофически опасной ситуации.
- При использовании жесткого кабельного вывода переменного тока необходимо обеспечить надлежащую защиту от перегрузок по выходному току.

Для отдельных моделей с жестким кабельным подключением



ВНИМАНИЕ! Для снижения риска возгорания следует производить подключение только к контуру, оснащеному защитой от перегрузок по току до 30 А с использованием шунтирующей цепи, класс которой должен соответствовать требованиям Национального свода законов и стандартов США по электротехнике (NEC) (ANSI/NFPA 70) и канадского свода законов и стандартов по электротехнике, часть I, C22.1. Более подробная информация представлена в таблице "Вход и выход ИБП: общее описание" раздела **Установка**.

- Используйте только медную проводку с проводами, рассчитанными на температуру до 105°C. Рекомендуемая конфигурация входов и выходов представлена в таблице "Вход и выход ИБП: общее описание" раздела **Установка**.
- Для моделей, оснащенных жестким кабельным выводом, в установке для конечного использования должна обеспечиваться защита от перегрузок по току. Используйте защиту от перегрузок по выходному току номиналом, не превышающим выходной номинал ИБП. При установке розеток с защитой от перегрузок по току с более низким номиналом номинал защиты от перегрузок по току должен соответствовать номиналу розеток.
- В странах Европы автоматический выключатель должен соответствовать требованиям стандарта IEC/EN 60934 и иметь воздушный зазор между контактами не менее 3 мм.
- При использовании жесткого кабельного вывода переменного тока установщик обязан обеспечить надлежащую защиту от ПЕРЕГРУЗОК ПО ВЫХОДНОМУ ТОКУ. Необходимо использовать автоматические выключатели с номиналом, соответствующим номиналу защищаемых розеток / элементов оборудования. Используйте автоматический(-е) выключатель(-и) с кривой отключения типа C.
- Стационарная электропроводка должна иметь легкодоступное встроенное устройство отключения двухполюсного типа с соответствующими параметрами.
- В странах Европы разъем для подключения к сети переменного тока имеет контакты L, N, PE(ЗЕМЛЯ). Убедитесь в том, что контакт L подключен к фазовому проводу, а контакт N — к нулевому проводу.
- Ни в коем случае не производите монтаж электрооборудования во время грозы.
- Не используйте данное оборудование в случае повреждения любой из его частей.
- Ток, потребляемый отдельными элементами оборудования, подключаемыми к ИБП, не должен превышать номинал соответствующих розеток.
- Суммарная нагрузка от потребителей, подключенных к ИБП, не должна превышать его максимально допустимую нагрузку.
- Не вносите изменений в конструкцию ИБП, его корпуса, входных разъемов или кабелей питания.
- Не используйте ИБП в случае повреждения любой из его частей.



Важные указания по технике безопасности

Предупреждения относительно подключения оборудования

- Не подключайте сетевые фильтры или кабели-удлинители к выходу ИБП. Это может привести к поломке ИБП с потерей гарантий как на сетевой фильтр, так и на ИБП.
- Суммарная нагрузка от потребителей, подключенных к ИБП, не должна превышать его максимально допустимую нагрузку, указанную на заводской табличке.
- Не рекомендуется использование данного оборудования в системах жизнеобеспечения, где его выход из строя предположительно может привести к перебоям в работе оборудования жизнеобеспечения или в значительной мере снизить его безопасность или эффективность. Не используйте данное оборудование в средах, обогащенных кислородом, а также в радиусе 0,3 м от какой-либо точки, где осуществляется принудительный отвод такой обогащенной кислородом среды.

Предупреждение по замене вентиляторов



Перед заменой вентиляторов убедитесь в том, что ИБП обесточен (выключен). Невыполнение данного требования может вызвать перегрев и защитное отключение.



ВНИМАНИЕ! Электрическая цепь питания вентиляторов не изолирована от сети переменного тока. Перед заменой вентиляторов выключите питание ИБП. Замена вентиляторов должна производиться квалифицированным сервисным персоналом электротехнического профиля.



Предупреждения относительно батарей

- Внутри ИБП нет деталей, обслуживаемых пользователем.
- Поворот батарей должен производиться квалифицированным сервисным персоналом электротехнического профиля.
- Замена батарей должна производиться только авторизованным сервисным персоналом.
- Техническое обслуживание батарей должно осуществляться или контролироваться специалистами, знакомыми с их конструкцией и принципом работы, а также необходимыми мерами предосторожности.
- При замене батарей следует устанавливать батареи или блоки батарей того же типа и в том же количестве.

ВНИМАНИЕ! Не бросайте батареи в огонь. Батареи являются взрывоопасными.

ВНИМАНИЕ! Не вскрывайте корпуса батарей и не допускайте их повреждения. Выплеснутый наружу электролит опасен для кожи и глаз. Кроме того, он может являться токсичным.

ВНИМАНИЕ! Батарея может являться источником опасности поражения электрическим током и короткого замыкания. Прикосновение к любой части заземленной батареи может привести к поражению электрическим током. При работе с батареями необходимо соблюдение следующих мер предосторожности:

- Перед работой снимите с себя наручные часы, кольца и другие металлические предметы.
- Используйте инструменты с изолированными ручками.
- Надевайте резиновые перчатки и обувь.
- Не кладите инструменты или металлические детали на верхние поверхности батарей.
- Запрещается замыкать или соединять клеммы батарей с использованием какого-либо предмета.
- Устраняйте заземление батареи на время ее установки и технического обслуживания с целью снижения вероятности поражения электрическим током.
- Если какая-либо деталь батареи заземлена, устраните ее контакт с землей.



Предупреждения относительно внешних батарей

- Перед подключением внешней батареи к ИБП подсоедините к ней заземляющий провод.
- Информация по настройке внешних батарей (варианты конфигурации и способ настройки) представлена в разделе "Эксплуатация". ИБП распознает блоки аккумуляторных батарей типа "smart" автоматически.
- Замена предохранителей должна производиться только уполномоченными специалистами предприятия-изготовителя. Сменные предохранители должны иметь тот же тип и номинал.
- Для продления времени автономной работы используйте только совместимые блоки батарей Tripp Lite:
 - Внешний блок аккумуляторных батарей BP192V12RT3US



Важные указания по технике безопасности

Замена и утилизация батарей



Pb

В изделиях Tripp Lite используются герметичные свинцово-кислотные батареи, пригодные для глубокой вторичной переработки. Требования по утилизации определяются местными нормами и правилами. Для получения более подробной информации о вторичной переработке батарей или любых других изделий марки Tripp Lite обращайтесь в компанию Tripp Lite по телефону 773.869.1234 или посетите веб-страницу tripplite.com/support/recycling-program.

Ассортимент Tripp Lite включает в себя сменные батарейные картриджи для всех моделей ИБП.

Посетите веб-страницу Tripp Lite по адресу tripplite.com/products/battery-finder/, где вы сможете подобрать сменную батарею для вашей модели ИБП.

Предупреждения относительно технического обслуживания

- Внутри ИБП нет деталей, обслуживаемых пользователем. Не разбирайте устройство.

Электрическая блок-схема ИБП



Поворот внутренних батарей

ИБП данной модели поставляется с отсоединенными батареями, располагающимися в обратной ориентации. Перед монтажом ИБП в двухрамную или однорамную стойку выньте батарейные отсеки и отложите их в сторону. Для извлечения батарей из ИБП выполните изложенные ниже инструкции.



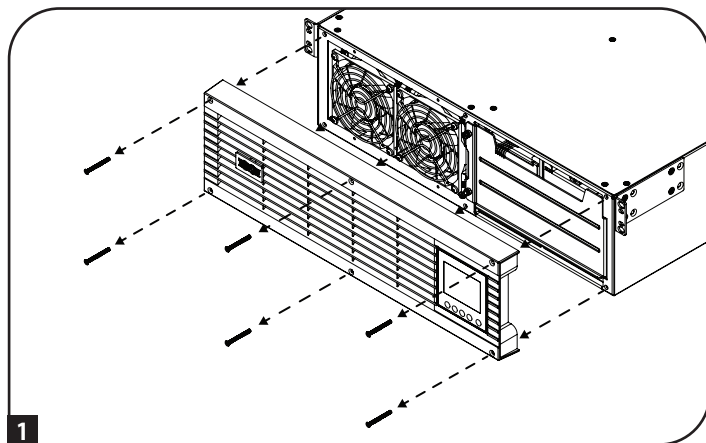
Если предполагается использование внешнего блока аккумуляторных батарей, то он должен быть установлен первым в нижней части стойки. Прежде чем перейти к установке ИБП, необходимо выполнить указания, изложенные в подразделе **Настройка внешних блоков батарей** настоящего руководства и **Руководства пользователя внешнего блока аккумуляторных батарей мод. BP192V12RT3US**.



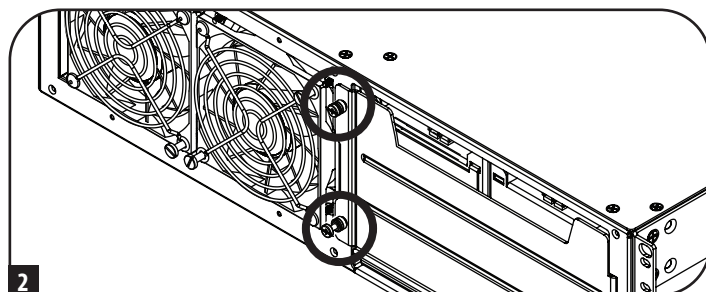
ВНИМАНИЕ! Поворот батарей должен производиться квалифицированным сервисным персоналом электротехнического профиля.

- 1** Выверните шесть передних винтов из лицевой панели ИБП и выньте ее наружу. Повесьте панель на имеющийся для этого крючок.

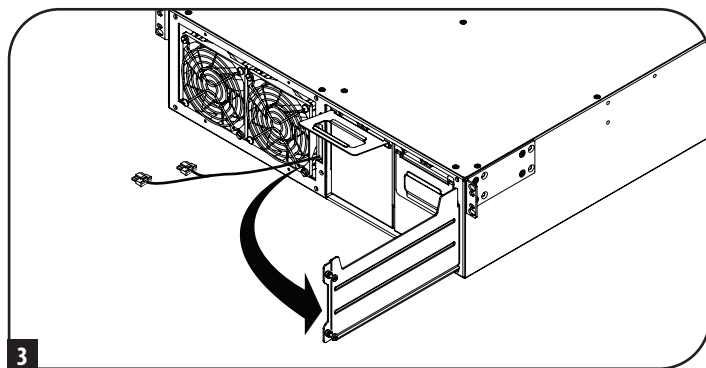
Примечание. Дисплей на передней панели подсоединен через ленточный кабель, проложенный от ИБП к лицевой панели. Этот кабель не должен препятствовать открыванию и закрыванию дверцы батарейных отсеков; с этой целью можно отсоединить дисплей от лицевой панели с помощью отвертки.



- 2** Ослабьте два невыпадающих винта, обеспечивающих крепление дверцы батарейных отсеков.

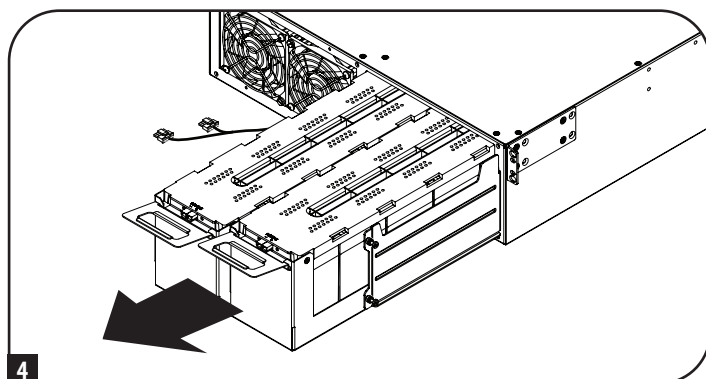


- 3** Откройте дверцу батарейных отсеков. Коммуникационный кабель Smart Battery не должен препятствовать открыванию дверцы батарейных отсеков и их извлечению.



- 4** Выньте батарейные отсеки за прикрепленные к каждому из них ручки. Перед вращением батарей (см. следующий шаг) необходимо снять ручки и установить их с противоположной стороны.

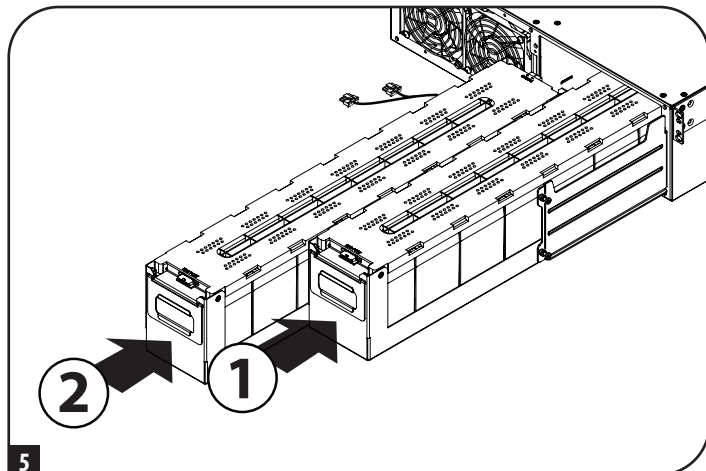
Примечание. Для уменьшения массы ИБП в процессе установки рекомендуется выполнить указания по монтажу в двухрамную или однорамную стойку, изложенные в разделе **Монтаж в стойку**, перед вращением, повторной установкой и подключением батарейных отсеков.



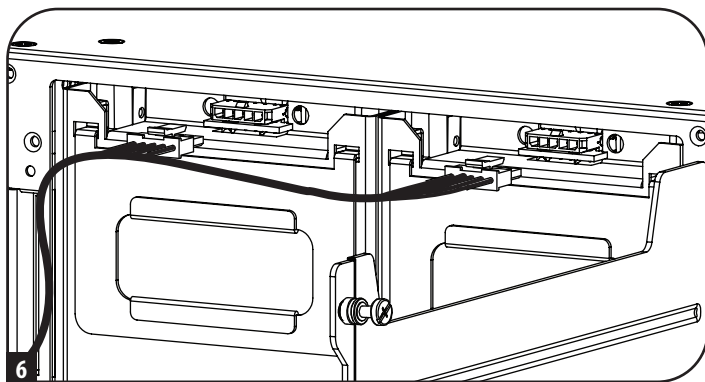
Установка

- 5** Каждый батарейный отсек имеет фальш-разъем постоянного тока. Расположите все батарейные отсеки таким образом, чтобы соединительные клеммы питания постоянного тока красного и черного цветов были обращены к тыльной стороне ИБП, а коммуникационный порт — к лицевой стороне ИБП. Вставляйте батарейные отсеки, начиная с правого, таким образом, чтобы их корпуса немного выдавались за пределы корпуса ИБП. Повторите те же действия для батарейного отсека с левой стороны.

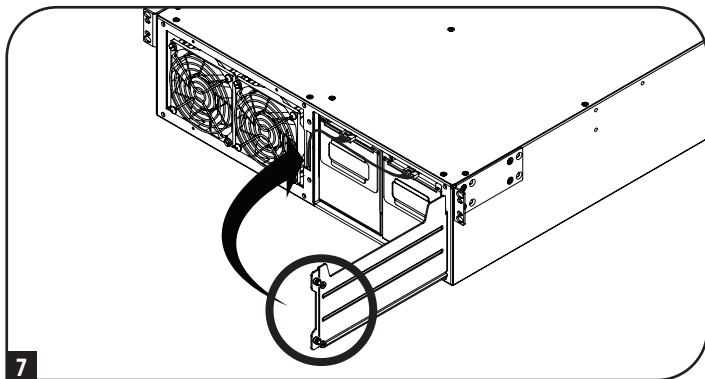
Примечание. Для облегчения доступа к клеммам подсоединяйте кабели к батарейным блокам до того, как они будут полностью вставлены в корпус ИБП.



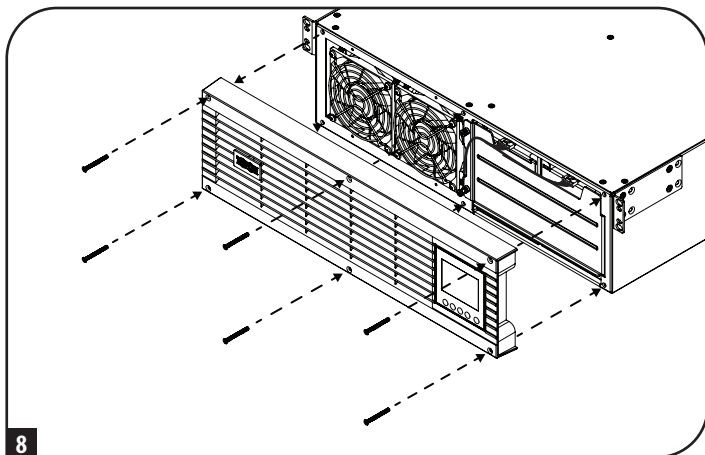
- 6** Подсоедините коммуникационный кабель батареи к каждому батарейному отсеку и вдвиньте батарейные отсеки в корпус ИБП до упора.



- 7** Закройте дверцу батарейных отсеков и закрепите ее, затянув невыпадающие винты.



- 8** Присоедините лицевую панель обратно к ИБП и закрепите ее с помощью винтов, вывернутых на шаге **1**.



Монтаж в стойку

Установка оборудования должна производиться в однорамные или двухрамные стойки либо шкафы. Пользователь должен установить пригодность оснастки и предполагаемых процедур до начала монтажа. Если оснастка и процедуры не соответствуют условиям использования оборудования, свяжитесь с производителем своей стойки или стоечного шкафа. Описанные в настоящем руководстве процедуры предназначены для обычных типов шкафов и могут не подходить для всех целей применения.

ВНИМАНИЕ! Данное оборудование должно устанавливаться на стоечные направляющие на высоте до 1 м.



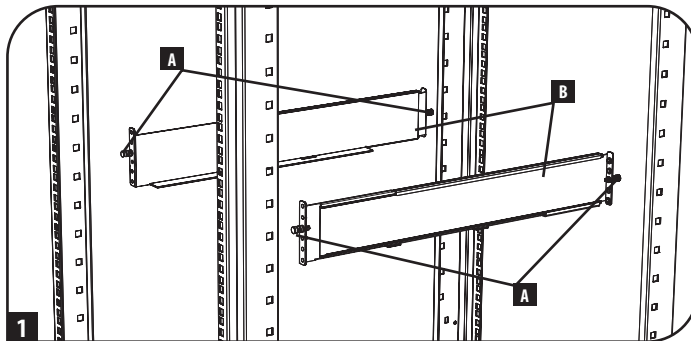
Если предполагается использование внешнего блока аккумуляторных батарей, то он должен быть установлен первым в нижней части стойки. Прежде чем перейти к установке ИБП, необходимо выполнить указания, изложенные в подразделе Настройка внешних блоков батарей настоящего руководства и Руководства пользователя внешнего блока аккумуляторных батарей мод. BP192V12RT3US.

Монтаж в двухрамную стойку

1 Поставляемые в комплекте пластмассовые штифты **A** обеспечат временную опору для ненагруженных стоечных полок **B** на время установки стационарной монтажной оснастки. Вставьте штифт в третье сверху отверстие на переднем конце каждого кронштейна. На тыльной стороне вставьте штифт в центральное отверстие (все передние кронштейны имеют по 6 отверстий, а все задние кронштейны — по 5 отверстий). Штифты защелкиваются в нужном положении.

После установки штифтов расширьте каждую полку на глубину направляющих своей стойки. Штифты входят в квадратные отверстия стоечных направляющих для удержания полок на своих местах. Руководствуясь маркировкой на корпусе стойки, убедитесь, что полки выровнены по всем направлениям.

Примечание. Опорный выступ каждой полки должен быть направлен внутрь.

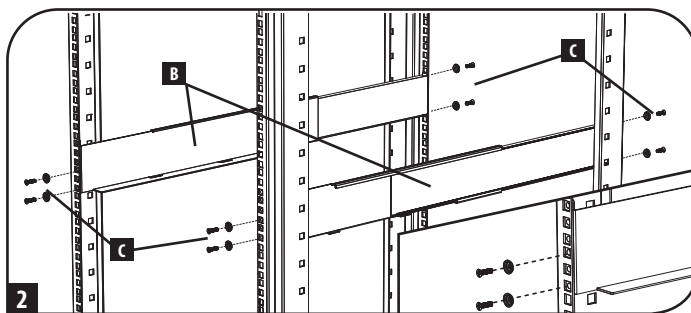


2 Выньте штифты с переднего конца каждого кронштейна. Прикрепите полки **B** к монтажным направляющим стационарным образом с помощью входящих в комплект поставки винтов и чашеобразных шайб **C**, как показано на рисунке. Установите по 2 винта в лицевой части каждой направляющей (всего 4 шт.) и по 2 винта в задней части каждой направляющей (всего 4 шт.). Прежде чем приступить к следующему шагу, затяните все винты.

Примечание. При установке задние штифты могут оставаться в своих отверстиях, а передние должны быть извлечены до момента крепления кронштейна винтами.

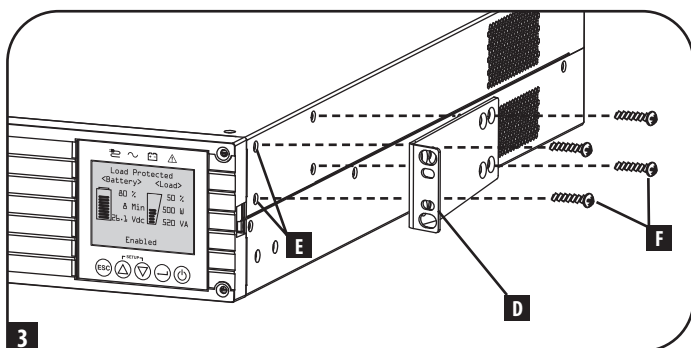
ВНИМАНИЕ!

Не пытайтесь устанавливать ИБП до ввертывания и затяжки всех необходимых винтов. Пластмассовые штифты не рассчитаны на удержание веса ИБП.



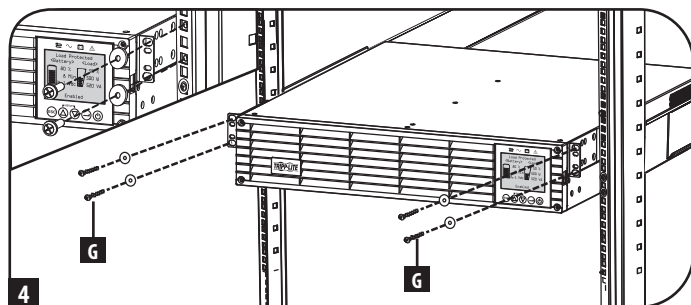
3 Закрепите монтажные кронштейны **D** своего ИБП в передних монтажных отверстиях **E** с помощью крепежных деталей **F**, входящих в комплект поставки. "Язычки" монтажных кронштейнов должны быть направлены вперед.

Примечание. Внутренние батареи ИБП рекомендуется вынимать перед началом монтажа. Это позволит облегчить устройство для более безопасной работы с ним.



4 С помощью другого сотрудника поднимите ИБП и задвиньте его в полки. Прикрепите монтажные проушины ИБП к передним монтажным направляющим с помощью винтов и шайб **G**, не входящих в комплект. Плотнo затяните все винты.

Примечание. Для установки батарейных отсеков внутрь ИБП см. указания 5-8 в разделе Вращение внутренних батарей.



Установка

Монтаж в одностороннюю стойку

Для монтажа ИБП высотой 2U в одностороннюю стойку требуется комплект для установки в одностороннюю стойку Tripp Lite (модель: 2POSTRMKITWM, приобретается отдельно). Порядок установки см. в руководстве пользователя установочного комплекта.

Вертикальный монтаж

Ваш ИБП может монтироваться в вертикальном положении с помощью дополнительных оснований для напольной установки, реализуемых отдельно компанией Tripp Lite (модель: 2-9USTAND). При монтаже ИБП на регулируемых основаниях для напольной установки убедитесь в том, что ЖК-панель обращена лицевой стороной вверх.



ВНИМАНИЕ!

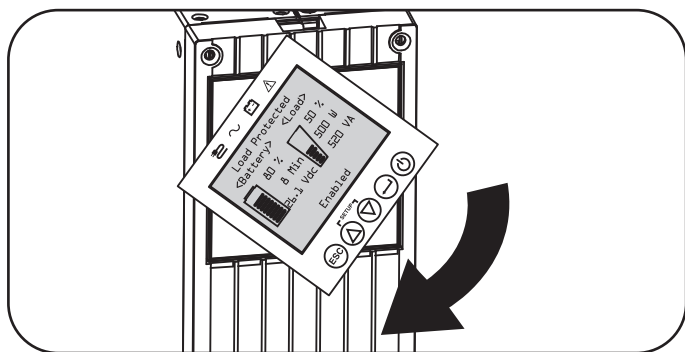
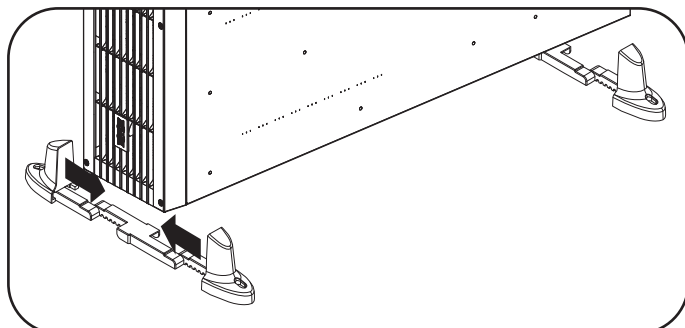
Все ИБП являются крайне тяжеловесными. Проявляйте осторожность при их подъеме и монтаже. При подъеме и монтаже ИБП пользователь должен обеспечить его устойчивое положение.

ЖК-панель может поворачиваться для более удобного просмотра при вертикальном положении ИБП. Для ее поворота вставьте небольшую отвертку или другой инструмент с плоской кромкой в прорези с любой стороны от ЖК-панели. Выдвиньте панель, проверните ее должным образом и вставьте обратно до щелчка.



ВНИМАНИЕ! Электрическая проводка дисплея не изолирована.

Вращение дисплея должно производиться квалифицированным сервисным персоналом электротехнического профиля.



ПРИМЕЧАНИЕ ПО НАСТРОЙКЕ ВНЕШНИХ БАТАРЕЙ

При использовании внешних блоков аккумуляторных батарей с ИБП их следует устанавливать в соответствии с документацией по монтажу/установке, поставляемой в комплекте с каждым блоком аккумуляторных батарей.

Эти модели ИБП семейства SmartOnline предусматривают возможность автоматического распознавания до четырех совместимых блоков аккумуляторных батарей Tripp Lite Smart. Каждый блок аккумуляторных батарей типа Smart снабжен разъемом для передачи данных по кабелю, обеспечивающим возможность автоматического распознавания и настройки до четырех внешних блоков аккумуляторных батарей типа Smart, подключенных к ИБП. В случае необходимости настройки более четырех внешних блоков аккумуляторных батарей все батарейные блоки должны настраиваться с помощью программы настройки внешних батарей Tripp Lite через последовательный порт ИБП. При выполнении такой настройки не подключайте коммуникационные кабели батарей Smart ни к одному из внешних блоков аккумуляторных батарей.

Указания по монтажу электропроводки для жесткого кабельного ввода и вывода (опционально для отдельных моделей)

Примечание. Момент затяжки: 1 Н·м.

ВНИМАНИЕ! Подключение данного типа должно производиться только квалифицированным сервисным персоналом электротехнического профиля. При выполнении соединений необходимо убедиться в том, что сетевое питание ИБП отключено. Подсоедините заземляющие провода кабелей к заземляющему зажиму корпуса. Заземляющий провод обязательно должен подсоединяться первым.

Необходимо соблюдение требований к конфигурации входной линии, номиналу автоматического выключателя и калибру проводов, изложенных в таблице **Вход и выход ИБП: общее описание**, представленной в данном разделе.

Примечание. Отдельные модели оснащаются входным шнуром переменного тока со штепсельным разъемом типа L6-30P. В случае использования этого шнура переменного тока меняются номинальные значения мощности на входе/выходе ИБП. Более подробная информация представлена на заводской табличке ИБП.

1. Снимите технологическую крышку, расположенную справа от выбивных отверстий для жесткого кабельного ввода/вывода (см. ниже), для обеспечения доступа к блоку зажимов.

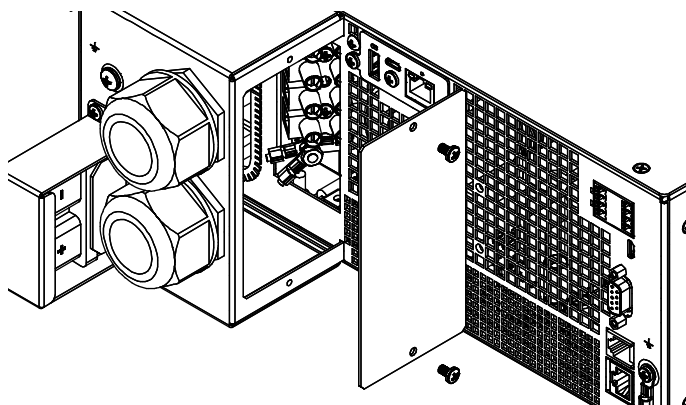
Примечание. Наклейка с изображением схемы клеммных соединений находится на тыльной стороне технологической крышки.

2. Пробейте отверстия подходящих размеров для подключения жесткого кабельного ввода и вывода.
3. Установите и прикрепите разъемы с компенсаторами натяжения (поставляемые в комплекте или приобретаемые отдельно) к оболочке жесткого кабельного ввода.
4. Протяните кабель через компенсатор натяжения.

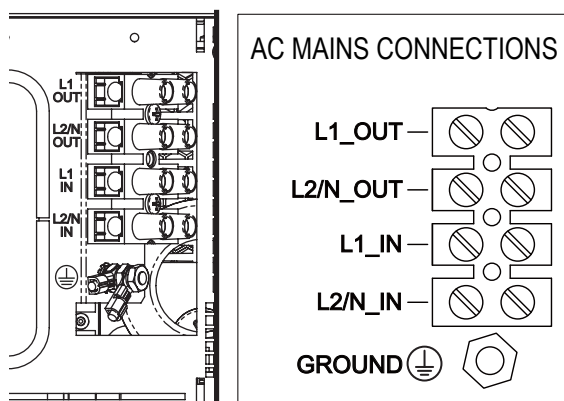
Примечание. Выходной компенсатор натяжения располагается сверху, а входной компенсатор натяжения — снизу.

5. Подсоедините каждый провод к блоку зажимов, как показано ниже. (Ниже см. примечание относительно требований к усилию затяжки).
6. Затяните компенсатор натяжения.

Жесткий кабельный ввод/вывод с компенсатором натяжения



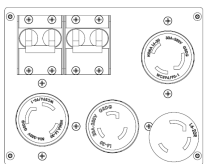
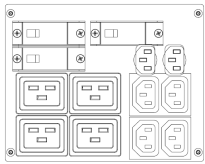
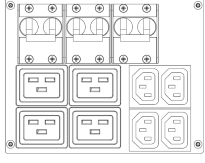
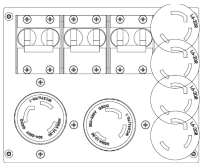
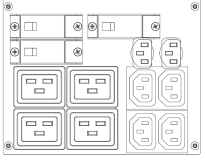
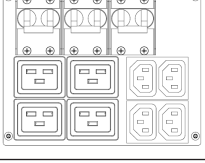
Входные и выходные зажимы



Примечание. Момент затяжки: 1 Н·м. Поставляемый в комплекте наконечник заземляющего проводника должен быть соединен со шпилькой заземления, как показано на рисунке. Провод для заземления оборудования должен соответствовать шпильке №8 с внешним диаметром 8,71 мм и внутренним диаметром 4,3 мм.

Установка

Вход и выход ИБП: общее описание

Наименование модели	Входной разъем	Конфигурация входной линии	Автоматический выключатель объекта с кривой отключения типа C	Калибр (AWG) входной проводки (мм ²)	Компоновка розеточной панели
SUSKRT3UHV	Жесткое кабельное подключение	L1, L2/N, PE(ЗЕМЛЯ)	40	8 (6)	
	L6-30P	L1, L2/N, PE(ЗЕМЛЯ)	30	10 (4)	
SUSKRT3UX	Жесткое кабельное подключение	L, N PE(ЗЕМЛЯ)	40	8 (6)	
SUSKRT3UG	Жесткое кабельное подключение	L1, L2/N, PE(ЗЕМЛЯ)	40	8 (6)	
SUSKRT3UHW	Жесткое кабельное подключение	L1, L2/N, PE(ЗЕМЛЯ)	40	8 (6)	Нет
SU6KRT3UHV	Жесткое кабельное подключение	L1, L2/N, PE(ЗЕМЛЯ)	50	6 (10)	
	L6-30P	L1, L2/N, PE(ЗЕМЛЯ)	30	10 (4)	
SU6KRT3UX	Жесткое кабельное подключение	L, N, PE	50	6 (10)	
SU6KRT3UG	Жесткое кабельное подключение	L1, L2/N, PE(ЗЕМЛЯ)	50	6 (10)	
SU6KRT3UHW	Жесткое кабельное подключение	L1, L2/N, PE(ЗЕМЛЯ)	50	6 (10)	Нет

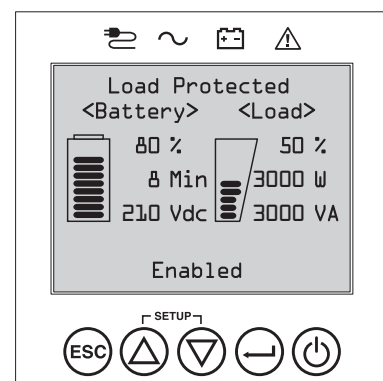
Функциональные возможности

Перед установкой и началом эксплуатации своего ИБП ознакомьтесь с расположением и функциональными возможностями каждого из его компонентов.

Элементы управления передней панели, светодиодные индикаторы и ЖК-экран

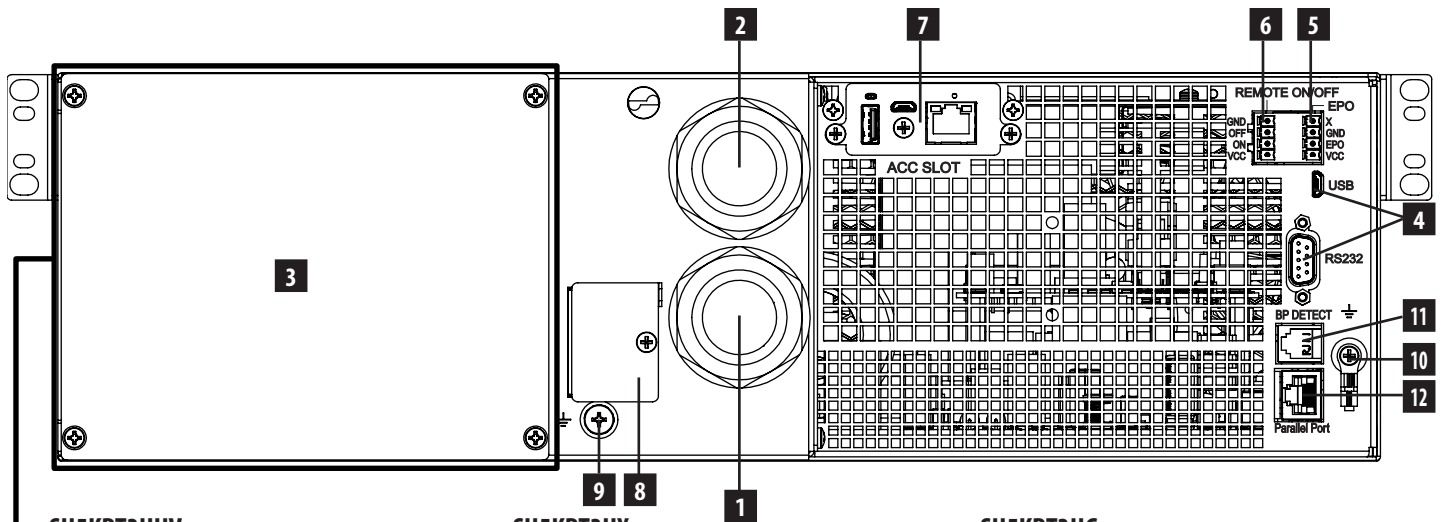
Графический ЖК-дисплей на передней панели предлагает широкий выбор режимов работы ИБП и диагностических данных. Кроме того, он отображает настройки ИБП и предлагаемые опции при просмотре экранов начальной установки параметров ИБП. Пять кнопок, расположенных под ЖК-дисплеем, могут использоваться для поиска различной информации и перемещения между экранами настройки и управления ИБП с помощью выводимых на экран подсказок и вариантов для выбора. Дополнительные светодиодные индикаторы над ЖК-экраном также обеспечивают полную картину состояния входного источника питания переменного тока, наличия выходного сигнала, состояния батарей и статуса предупредительной/аварийной сигнализации.

Подробное описание функций ЖК-дисплея, кнопок и светодиодных индикаторов представлено в разделе **Эксплуатация**.

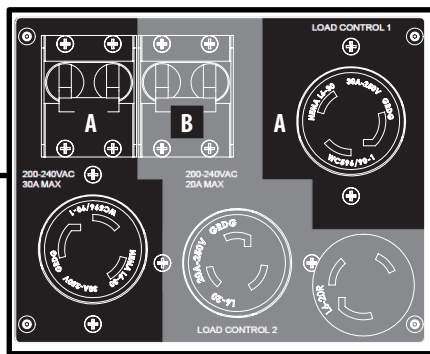


Функциональные возможности

Функциональные элементы задней панели

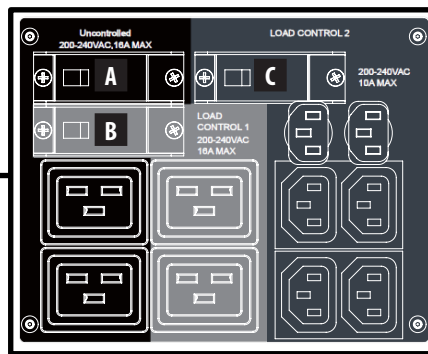


SU5KRT3UHV



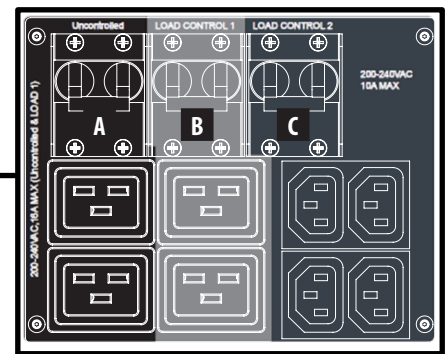
Группа нагрузки	Входные разъемы	Щиток
A	2x L6-30R	1x 2-пол. (30A)
B	2x L6-20R	1x 2-пол. (20A)

SU5KRT3UX



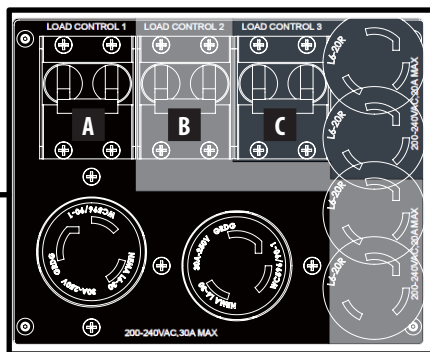
Группа нагрузки	Входные разъемы	Щиток
A*	2x C19	1x 1-пол. (16 A)
B	2x C19	1x 1-пол. (16 A)
C	6x C13	1x 1-пол. (10 A)

SU5KRT3UG



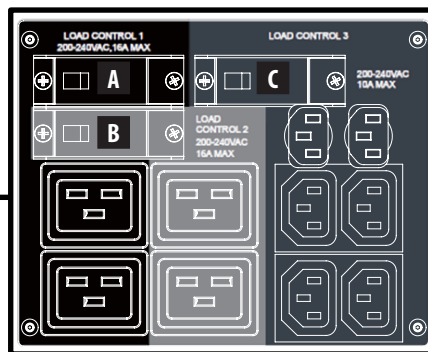
Группа нагрузки	Входные разъемы	Щиток
A*	2x C19	1x 2-пол. (16 A)
B	2x C19	1x 2-пол. (16 A)
C	4x C13	1x 2-пол. (10 A)

SU6KRT3UHV



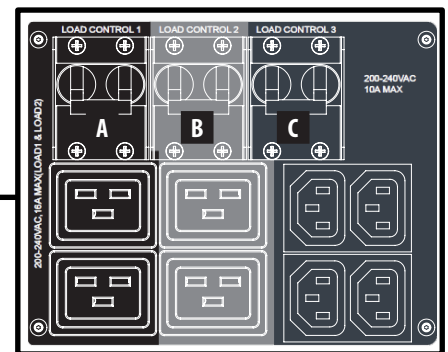
Группа нагрузки	Входные разъемы	Щиток
A	2x L6-30R	1x 2-пол. (30A)
B	2x L6-20R	1x 2-пол. (20A)
C	2x L6-20R	1x 2-пол. (20A)

SU6KRT3UX



Группа нагрузки	Входные разъемы	Щиток
A	2x C19	1x 1-пол. (16 A)
B	2x C19	1x 1-пол. (16 A)
C	6x C13	1x 1-пол. (10 A)

SU6KRT3UG



Группа нагрузки	Входные разъемы	Щиток
A	2x C19	1x 2-пол. (16 A)
B	2x C19	1x 2-пол. (16 A)
C	4x C13	1x 2-пол. (10 A)

*Неуправляемая группа нагрузки

Функциональные возможности

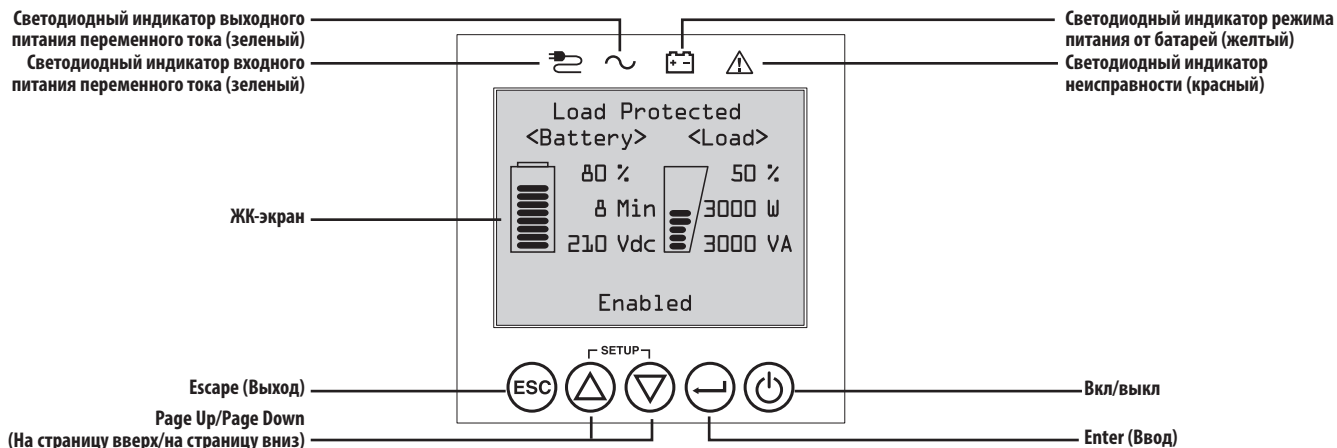
- 1 Входной разъем переменного тока (различается в зависимости от конкретной модели):** подсоединяется к источнику питания переменного тока через поставляемый в комплекте шнур питания или жесткое кабельное подключение.
Примечание. Модели SU5KRT3UHV и SU6KRT3UHV комплектуются дополнительным входным шнуром.
- 2 Жесткий кабельный вывод переменного тока (опционально для отдельных моделей):** обеспечивает подключение к потребителю переменного тока через жесткое кабельное соединение (более подробная информация представлена в разделе **Указания по монтажу электропроводки для жесткого кабельного вывода**).
Примечание. Суммарная нагрузка от потребителей, подключенных к ИБП, не должна превышать его максимально допустимую нагрузку, указанную на заводской табличке.
- 3 Розетки переменного тока (различной конфигурации в зависимости от модели):** эти выходные розетки обеспечивают для подключенного оборудования выходное питание переменного тока чистой синусоидальной формы при работе в нормальном режиме и электропитание от батарей при отключении электричества и существенном понижении напряжения в сети. Эти розетки разделены на группы нагрузки согласно маркировке на корпусе устройства. С помощью программного обеспечения PowerAlert и соответствующих кабелей группы нагрузки могут независимо включаться и выключаться из удаленного места, позволяя пользователям осуществлять перезапуск или перезагрузку подключенного оборудования.
Примечание. Суммарная нагрузка от потребителей, подключенных к ИБП, не должна превышать его максимально допустимую нагрузку, указанную на заводской табличке.
- 4 Коммуникационные порты:** эти порты (USB или RS-232) обеспечивают возможность подключения ИБП к любой рабочей станции или серверу. Предоставляемое компанией Tripp Lite программное обеспечение PowerAlert и поставляемый в комплекте кабель обеспечивают возможность автоматического сохранения открытых файлов на компьютере, а также выключения оборудования при отключении электричества. Программное обеспечение PowerAlert также можно использовать для контроля широкого спектра эксплуатационных условий ИБП и сети электропитания переменного тока. Более подробная информация представлена в руководстве к программному обеспечению PowerAlert; вы также можете связаться со службой поддержки Tripp Lite для получения консультации. 9-контактный разъем RS-232 также обеспечивает возможность взаимодействия через интерфейс с сухими контактами. Указания по установке изложены в подразделе **Взаимодействие через сухие контакты интерфейсов USB и RS-232** раздела **Разъемы для подключения опциональных элементов**.
- 5 Порт EPO (аварийное отключение питания):** данная модель ИБП оснащена портом, который может использоваться для подключения ИБП к реле с нормально разомкнутыми контактами, обеспечивая реализацию функции аварийного отключения ИБП. Для этого необходимо использовать контакты правого блока разъемов с маркировкой EPO. Подробную информацию см. в разделе **Разъемы для подключения опциональных элементов**.
- 6 Дистанционное включение/выключение:** ИБП оснащен портом, который может использоваться для его подключения к реле с нормально разомкнутыми контактами с целью дистанционного выключения ИБП. Для этого необходимо использовать блок зажимов, расположенный с левой стороны и имеющий маркировку с обозначением дистанционного включения/выключения. Подробную информацию см. в разделе **Разъемы для подключения опциональных элементов**.
- 7 Разъем для аксессуаров:** выньте заглушку из этого разъема с целью использования дополнительных аксессуаров, предназначенных для дистанционного управления ИБП и контроля его параметров. Полный перечень комплектующих, а также самые разнообразные средства сетевого управления и подключения, см. на сайте tripplite.com.
- 8 Разъем для подключения внешнего блока аккумуляторных батарей:** данная модель UPS оснащается надежной внутренней системой аккумуляторных батарей. При подключении внешних батарей обеспечивается продление времени автономной работы, но увеличивается длительность зарядки. Совместимые модели см. в подразделе **Дополнительные комплектующие (опционально)** раздела **Краткое описание**, а указания по настройке – в подразделе **Настройка внешних блоков аккумуляторных батарей** раздела **Эксплуатация**.
Примечание. Не подключайте и не отключайте блоки аккумуляторных батарей во время работы ИБП в режиме питания от батарей.
- 9 Винт заземления постоянного тока:** используется для создания заземляющего соединения между ИБП и подключаемым к нему внешним блоком аккумуляторных батарей.
- 10 Винт заземления корпуса:** используется для соединения с любым оборудованием, требующим заземления корпуса.
- 11 Порт распознавания внешних блоков батарей:** при использовании внешних батарей со встроенными коммуникационными портами включение соединительного кабеля батареи в этот порт позволит ИБП автоматически распознать внешние блоки батарей "smart". Указания по настройке см. в подразделе **Настройка внешних блоков аккумуляторных батарей** раздела **Эксплуатация**.
- 12 Параллельный порт:** зарезервирован для будущего использования.

Эксплуатация

В этом разделе объясняется порядок использования данной модели онлайн-ИБП Tripp Lite, включая управление ЖК-дисплеем передней панели, рабочие режимы, включение и выключение ИБП, переключение между режимами, установку режима питания и установку настроек обходной цепи, нагрузочных сегментов и настроек батарей.





ЖК-дисплей и элементы управления передней панели

5-кнопочный графический ЖК-экран с дополнительными светодиодными индикаторами с лицевой стороны ИБП предоставляет информацию о статусе ИБП, уровнях нагрузки, событиях, измеряемых параметрах, настройках, а также широкий выбор вариантов настройки ИБП и режимов питания.



Светодиодные индикаторы передней панели

Над ЖК-экраном передней панели располагаются 4 светодиодных индикатора, предоставляющие информацию о наличии ВХОДНОГО СИГНАЛА ПЕРЕМЕННОГО ТОКА, использовании ОБХОДНОЙ ЦЕПИ, наличии ВЫХОДНОГО СИГНАЛА ПЕРЕМЕННОГО ТОКА, работе в РЕЖИМЕ ПИТАНИЯ ОТ БАТАРЕЙ и НЕИСПРАВНОСТИ ИБП.

	Индикатор НАЛИЧИЯ ВХОДНОГО СИГНАЛА ПЕРЕМЕННОГО ТОКА
Вкл	Входной сигнал переменного тока присутствует И находится В ПРЕДЕЛАХ заданного диапазона для ЭКОНОМИЧНОГО РЕЖИМА / РЕЖИМА РАБОТЫ ПО ОБХОДНОЙ ЦЕПИ. НЕПРЕРЫВНОЕ ГОРЕНИЕ этого светодиодного индикатора свидетельствует об удовлетворительном качестве входного питания переменного тока для функционирования ИБП в РЕЖИМЕ РАБОТЫ ПО ОБХОДНОЙ ЦЕПИ или в ЭКОНОМИЧНОМ РЕЖИМЕ.
Мигает	Входной сигнал переменного тока присутствует И находится ЗА ПРЕДЕЛАМИ заданного диапазона для РЕЖИМА РАБОТЫ ПО ОБХОДНОЙ ЦЕПИ. МИГАНИЕ этого светодиодного индикатора свидетельствует о неудовлетворительном значении напряжения или частоты входного питания переменного тока для функционирования ИБП в РЕЖИМЕ РАБОТЫ ПО ОБХОДНОЙ ЦЕПИ или ЭКОНОМИЧНОМ РЕЖИМЕ.
Не горит	Входной сигнал переменного тока ОТСУТСТВУЕТ. В то время, когда этот светодиодный индикатор не горит, входной сигнал переменного тока отсутствует.
	Индикатор НАЛИЧИЯ ВЫХОДНОГО СИГНАЛА ПЕРЕМЕННОГО ТОКА
Вкл	Выходной сигнал переменного тока ИБП ПРИСУТСТВУЕТ Выходной сигнал ИБП присутствует на его выходных розетках.
Не горит	Выходной сигнал переменного тока ИБП ОТСУТСТВУЕТ Выходной сигнал переменного тока ИБП отсутствует.
	Индикатор РЕЖИМА ПИТАНИЯ ОТ БАТАРЕЙ
Вкл	ИБП работает в режиме питания от батарей По мере работы ИБП в режиме питания от батарей они постепенно разряжаются. Кроме того, этот индикатор загорается на короткое время при работе в режиме внутреннего теста.
Мигает	ИБП работает в режиме питания от батарей – предупредительный сигнал "Низкий заряд батарей" По мере работы ИБП в режиме ПИТАНИЯ ОТ БАТАРЕЙ они постепенно разряжаются до критически низкого уровня. Индикатор будет мигать с интервалом в 2 секунды для предупреждения о НИЗКОМ ЗАРЯДЕ БАТАРЕЙ и с интервалом в 0,5 секунды для сообщения о том, что БАТАРЕИ ПРАКТИЧЕСКИ ПОЛНОСТЬЮ РАЗРЯЖЕНЫ и ИБП находится на пороге отключения.
	Индикатор НЕИСПРАВНОСТИ ИБП
Вкл	ИБП находится в одном из предварительно установленных состояний неисправности Объяснение состояния ошибки или информацию о ее коде см. на дисплее передней панели. Рекомендации по выявлению и устранению неисправностей см. в указаниях, выводимых на экран, и руководстве пользователя.
Не горит	Нормальный режим При выключенном индикаторе ИБП не сообщает о каких-либо состояниях неисправности.

Функции кнопок передней панели

На передней панели имеются 5 кнопок, обеспечивающих возможность управления ИБП и выбора вариантов настройки. Для поиска различной информации и перемещения между экранами настройки и управления ИБП используйте 5-кнопочный интерфейс передней панели и следуйте выводимым на экран подсказкам и вариантам для выбора.



Кнопка "Питание Вкл/Выкл": данный элемент управления выполняет три основные функции: включение питания, отключение питания и устранение неисправности ИБП.

Для ВКЛЮЧЕНИЯ ИБП в защищенном рабочем режиме нажмите эту кнопку и удерживайте ее в течение 3 секунд до подключения ИБП к источнику входного питания переменного тока. Отпустите кнопку с началом звукового сигнала, после чего ИБП запустится в последнем заданном режиме питания.

Для "холодного запуска" ИБП в режиме питания от батарей при отключении электричества нажмите на эту кнопку и удерживайте ее в течение 3 секунд. Отпустите кнопку с началом звукового сигнала, после чего ИБП запустится в режиме питания от батарей.

Для выключения ИБП при его работе в режиме питания от батарей или защищенном режиме нажмите на эту кнопку и удерживайте ее в течение 3 секунд. Отпустите кнопки с началом звукового сигнала. В результате этого ИБП отключает выходное питание переменного тока. После отключения выходного питания переменного тока отсоедините ИБП от источника входного питания, после чего он будет полностью выключен.

Для УСТРАНЕНИЯ НЕИСПРАВНОСТИ ИБП нажмите и удерживайте эту кнопку, как показано на экране, в течение 3 секунд. ИБП устранил возникшую неисправность и вернется в режим ожидания или режим работы по обходной цепи.



Кнопка ENTER ("ВВОД"): данный элемент управления используется для выбора нужных вариантов, их подтверждения и перехода к следующему шагу выбора во время настройки ИБП в режиме начальной установки. Нажмите на эту кнопку, как показано на экране, в режиме начальной установки для ввода, подтверждения или перехода к следующему шагу в процессе настройки.



Кнопки UP / DOWN ("ВВЕРХ/ВНИЗ"): данные элементы управления выполняют две основные функции: управление перемещением "Вверх" и "Вниз", а также вход/выход в/из режим/а начальной установки (при одновременном нажатии). Эти кнопки используются для перемещения по меню начальной установки и прокрутки вверх или вниз для просмотра выводимой на экран информации по мере необходимости.



Для ВХОДА или ВЫХОДА в/из РЕЖИМ/А НАЧАЛЬНОЙ УСТАНОВКИ ИБП нажмите эти две кнопки одновременно и удерживайте их в течение 3 секунд. Отпустите кнопки с началом звукового сигнала. При одновременном нажатии обоих кнопок в режимах отображения информации на ЖК-дисплее ИБП автоматически входит в режим начальной установки.

При одновременном нажатии обоих кнопок в режиме начальной установки ИБП последний автоматически выходит из режима начальной установки.



Кнопка ESCAPE ("ВЫХОД"): данный элемент управления выполняет три основные функции: отмена аварийной сигнализации, устранение неисправности и операции возврата к предыдущему шагу / отмены заданных действий.

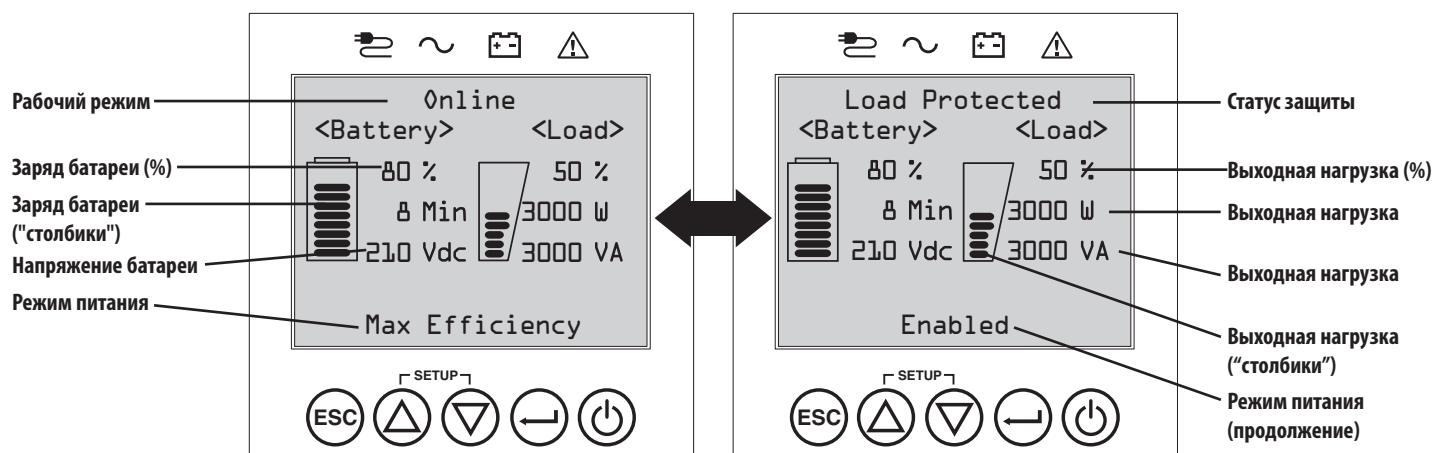
Для ОТМЕНЫ АВАРИЙНОЙ СИГНАЛИЗАЦИИ ИБП нажмите на эту кнопку. В случае возникновения нового условия срабатывания аварийной сигнализации звуковой сигнал подается снова.

Для ОТМЕНЫ заданного действия или ВОЗВРАТА НА ОДИН УРОВЕНЬ НАЗАД в режимах перемещения и начальной установки нажмите на эту кнопку, как показано на экране.

Вид начального экрана

ЖК-экран на передней панели ИБП настроен на непрерывное предоставление информации о работе ИБП с использованием начальных экранов НОРМАЛЬНОГО РЕЖИМА и РЕЖИМА ПИТАНИЯ ОТ БАТАРЕЙ, на которых регулярно отображаются рабочий режим, состояние защиты, режим питания и ряд рабочих параметров батарей и нагрузок.

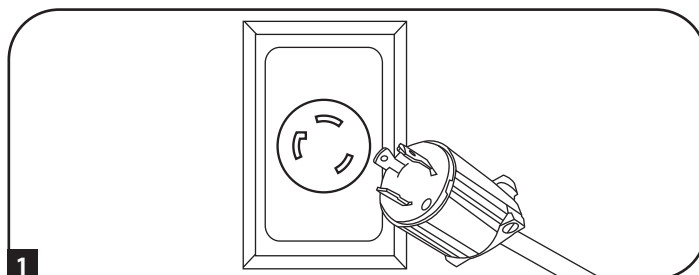
Начальные экраны нормального режима



Подключение к основным элементам и начальный запуск

1 Подключение ИБП к электроснабжению

Ваш ИБП должен быть подключен к выделенной цепи питания, обеспечивающей достаточный для него ток. Для моделей с разъемом L6-30 требуется автоматический выключатель для установки внутри зданий на 30 А. Для моделей с жестким кабельным подключением см. раздел **Установка**, таблицу **Вход и выход ИБП: общее описание** и номинал, указанный на корпусе ИБП.

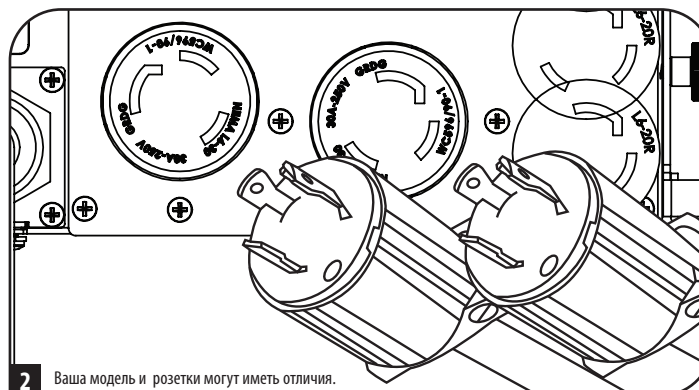


2 Подключение оборудования к ИБП

При подаче входного питания ИБП переходит в режим ожидания (Standby), и производится зарядка батарей.

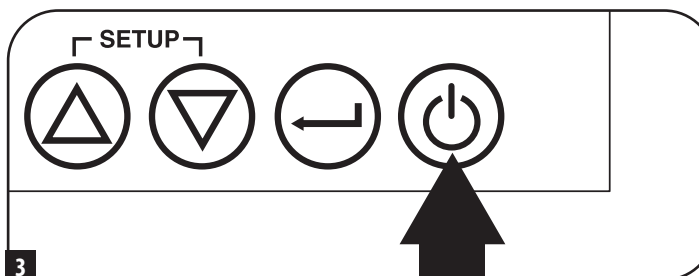
ИБП данной модели предназначен для поддержания работоспособности только сетевого, серверного и вычислительного оборудования.

Примечание. Если предполагается регулирование нагрузки, создаваемой оборудованием, то необходимо обеспечить его подключение к группе с регулированием нагрузки.



3 Включение ИБП

Нажмите на кнопку POWER ("ПИТАНИЕ"), удерживайте ее в течение 3 секунд до начала подачи звукового сигнала.

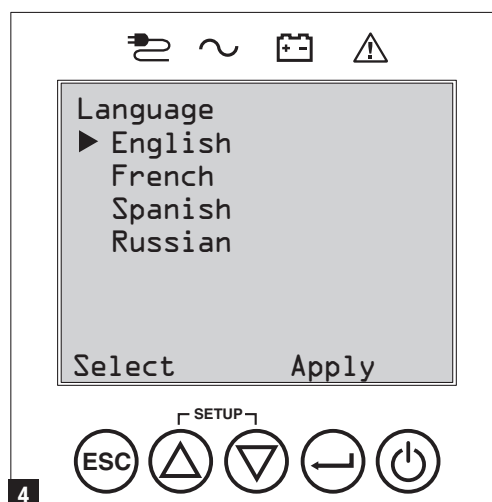


4 Выбор языка

При первом включении питания ИБП загорается светодиодный индикатор INPUT AC ("ВХОД ПИТАНИЯ ПЕРЕМЕННОГО ТОКА"), а на ЖК-экране передней панели пользователю предлагается выбрать язык.




Выберите предпочтительный для себя язык при помощи кнопок UP / DOWN ("ВВЕРХ / ВНИЗ") \triangle ∇ , после чего нажмите на кнопку NEXT ("ДАЛЕЕ") \ominus .

На интерфейсном экране появится подтверждение выбранного варианта с возможностями возврата (нажмите BACK/"НАЗАД" ESC) или перехода к следующему шагу (нажмите NEXT/"ДАЛЕЕ" \ominus).

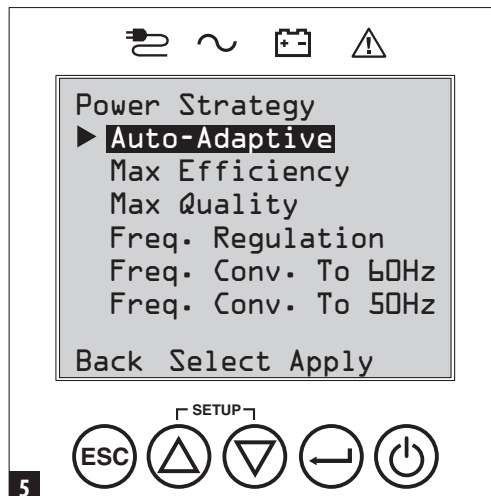


5 Выбор режима питания

Затем ИБП предложит выбрать желаемый POWER STRATEGY (“РЕЖИМ ПИТАНИЯ”).




Выберите предпочтительный для себя РЕЖИМ ПИТАНИЯ при помощи кнопок UP / DOWN (“ВВЕРХ/ВНИЗ”)  , после чего нажмите на кнопку APPLY (“ПРИМЕНИТЬ”) .

Рабочие характеристики каждого режима питания см. в подразделах **Варианты выбора режимов питания** и **Режимы работы ИБП** раздела “Эксплуатация”.

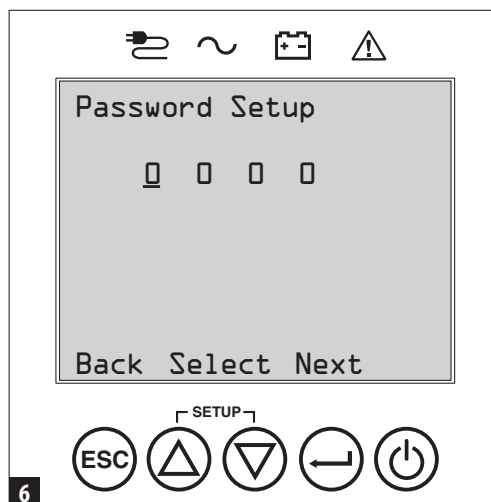


6 Задание пароля

Затем ИБП предложит задать желаемый PASSWORD (“ПАРОЛЬ”).

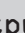

С помощью кнопок UP / DOWN (“ВВЕРХ/ВНИЗ”)   выберите первую цифру желаемого пароля и нажмите на кнопку NEXT (“ДАЛЕЕ”)  для перехода ко второй цифре. Повторите описанные выше действия для второй, третьей и четвертой цифр пароля.

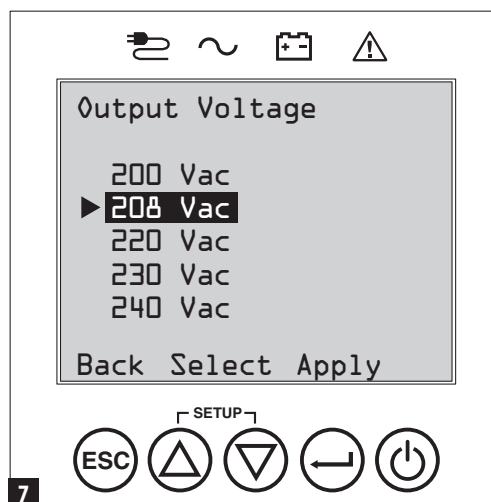
Примечание. Для быстрого сброса пароля на “0 0 0 0” нажмите NEXT (“ДАЛЕЕ”) 4 раза.



7 Выбор выходного напряжения ИБП

Затем ИБП предложит выбрать желаемое значение OUTPUT VOLTAGE (“ВЫХОДНОГО НАПРЯЖЕНИЯ”).

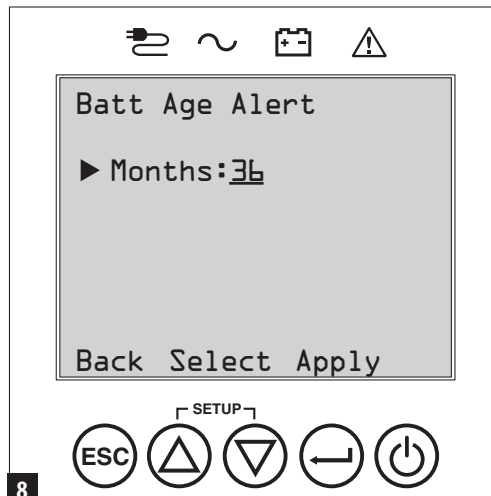
С помощью кнопок UP / DOWN (“ВВЕРХ/ВНИЗ”)   выберите значение выходного напряжения ИБП, после чего нажмите APPLY (“ПРИМЕНИТЬ”) .



8 Выбор времени подачи предупредительного сигнала об истечении срока службы батареи ИБП

Затем ИБП предложит выбрать время подачи предупредительного сигнала об истечении срока службы батареи. Пользователь может выбрать любое значение в диапазоне от 12 до 60 месяцев. Заводская настройка по умолчанию: Отключено.

С помощью кнопок UP / DOWN (“ВВЕРХ/ВНИЗ”) ▲ ▼ выберите период времени (в месяцах) до подачи предупредительного сигнала об истечении срока службы батареи, после чего нажмите APPLY (“ПРИМЕНИТЬ”) ⊖.



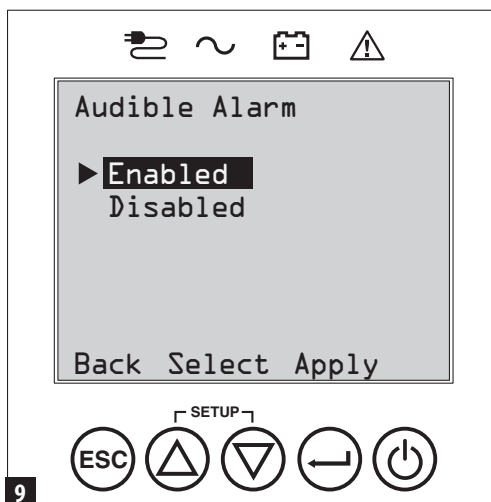
Диапазон: от 12 до 60; по умолчанию: Отключено

9 Выбор статуса звуковой сигнализации ENABLED / DISABLED (ВКЛЮЧЕНО / ОТКЛЮЧЕНО)

Затем ИБП предложит выбрать статус аварийной сигнализации ENABLE / DISABLE (“ВКЛЮЧЕНО/ОТКЛЮЧЕНО”).

С помощью кнопок UP / DOWN (“ВВЕРХ/ВНИЗ”) ▲ ▼ выберите статус аварийной сигнализации ENABLE / DISABLE (“ВКЛЮЧЕНО/ОТКЛЮЧЕНО”), после чего нажмите APPLY (“ПРИМЕНИТЬ”) ⊖.

Примечание. При выключенной аварийной сигнализации звуковой сигнал не подается только во время отключения электричества и неисправностей ИБП. Несмотря на отключенную аварийную сигнализацию ИБП издает сигналы зуммера в подтверждение нажатия оператором кнопок перемещения на ЖК-дисплее передней панели.



После этого ИБП выполнит ряд диагностических проверок перед включением выходного питания. После того как ИБП сообщит о переходе в рабочее состояние NORMAL / LOAD PROTECTED (“НОРМАЛЬНЫЙ РЕЖИМ” / “ЗАЩИТА НАГРУЗКИ ВКЛЮЧЕНА”) при заданном РЕЖИМЕ ПИТАНИЯ, он немедленно вводится в действие с обеспечением надежной защиты от широкого спектра проблем, связанных с электропитанием.

Варианты выбора режимов питания

ИБП Tripp Lite серии SmartOnline с ЖК-дисплеем имеют несколько встроенных режимов питания, что позволяет им оптимизировать выполнение задач для удовлетворения потребностей пользователей в МАКСИМАЛЬНОМ КАЧЕСТВЕ ЭЛЕКТРОПИТАНИЯ, МАКСИМАЛЬНОМ КПД И операции РЕГУЛИРОВКИ ЧАСТОТЫ или ПРЕОБРАЗОВАНИЯ ЧАСТОТЫ. Дополнительный режим питания с АВТОМАТИЧЕСКОЙ НАСТРОЙКОЙ сочетает в себе преимущества высокого КПД с максимальным качеством электропитания. Каждый вариант режимов питания позволяет ИБП автоматически переключаться между конкретными режимами работы в зависимости от параметров электропитания и статуса ИБП. К числу доступных режимов электропитания относятся следующие:

- **Режим питания с автоматической настройкой**, обеспечивающий возможность автоматического переключения ИБП между РЕЖИМОМ ОНЛАЙН и ЭКОНОМИЧНЫМ РЕЖИМОМ в зависимости от качества и надежности входного питания ИБП. При отсутствии отключений электричества в течение недели (за исключением тех, что происходят при осуществлении внутренних тестов) ИБП автоматически переключается в ЭКОНОМИЧНЫЙ РЕЖИМ. В случае отключения электричества ИБП поддерживает выходной сигнал в РЕЖИМЕ ПИТАНИЯ ОТ БАТАРЕЙ. При восстановлении сетевого электропитания ИБП повторяет указанный цикл, работая в РЕЖИМЕ ОНЛАЙН до момента истечения одной недели без отключений электричества. Автоматический режим работы по обходной цепи включается при отказе ИБП, когда параметры входного питания переменного тока находятся в пределах диапазона, заданного для работы по обходной цепи.
- **Режим питания с максимальным КПД**, обеспечивающий возможность непрерывной работы ИБП в ЭКОНОМИЧНОМ РЕЖИМЕ в течение всего времени, когда напряжение входного питания переменного тока находится в заданном диапазоне между нижним и верхним пороговыми значениями, при которых осуществляется переход в режим работы по обходной цепи. Если входное напряжение ИБП находится за пределами заданного диапазона для режима работы по обходной цепи, то ИБП автоматически переключается в РЕЖИМ ОНЛАЙН, до тех пор пока входное напряжение переменного тока не вернется в заданный диапазон напряжений для режима работы по обходной цепи. Данный режим аналогичен режиму питания с автоматической настройкой за исключением того, что переход в ЭКОНОМИЧНЫЙ РЕЖИМ осуществляется немедленно после восстановления соответствующих уровней напряжения. Для возврата ИБП в ЭКОНОМИЧНЫЙ РЕЖИМ недельного периода бесперебойной работы не требуется. Автоматический режим работы по обходной цепи включается при отказе ИБП, когда параметры входного питания переменного тока находятся в пределах диапазона, заданного для работы по обходной цепи.
- **Режим питания максимального качества**, обеспечивающий возможность непрерывной работы ИБП в РЕЖИМЕ ОНЛАЙН на протяжении всего времени, когда параметры питания переменного тока находятся в пределах диапазона, заданного для работы в режиме онлайн. ИБП будет продолжать непрерывную работу в режиме онлайн с двойным преобразованием, обеспечивая выходное питание высочайшего качества с нулевым временем переключения. Автоматический режим работы по обходной цепи включается при отказе ИБП, когда параметры входного питания переменного тока находятся в пределах диапазона, заданного для работы по обходной цепи.
- **Режим питания с регулировкой частоты**, аналогичный режиму питания с максимальным качеством, за исключением того, что ИБП активно регулирует частоту выходного сигнала в пределах $\pm 0,05$ Гц от номинального значения в 50 или 60 Гц, измеренного при запуске. ИБП будет продолжать непрерывную работу в режиме онлайн с двойным преобразованием, обеспечивая выходное питание высочайшего качества с нулевым временем переключения.

Примечание. При отказе возможен автоматический переход в режим работы по обходной цепи. При нахождении ИБП в выключенном состоянии переход на обходную цепь невозможен.

- **Режимы питания с преобразованием частоты в 60 Гц и преобразованием частоты в 50 Гц**, аналогичные режиму питания с максимальным качеством, за исключением того, что ИБП активно регулирует частоту выходного сигнала в пределах $\pm 0,05$ Гц от 50 Гц (при настройке преобразования частоты в 50 Гц) или 60 Гц (при настройке преобразования частоты в 60 Гц). Автоматический режим работы по обходной цепи в режиме ПРЕОБРАЗОВАНИЯ ЧАСТОТЫ недоступен. К типовым целям применения относится преобразование 50 Гц в 60 Гц (или 60 Гц в 50 Гц) для чувствительных электронных устройств.

Примечание. Максимальная мощность, поддерживаемая в режиме преобразования частоты, снижена на 30%. При отказе возможен автоматический переход в режим работы по обходной цепи.

Режимы работы ИБП

ИБП Tripp Lite серии SmartOnline могут автоматически переключаться между рабочими режимами при наступлении условий, установленных в заданном режиме питания. ИБП непрерывно сообщает о своем статусе с использованием светодиодных индикаторов передней панели и интерактивного ЖК-экрана визуального наблюдения.

- **Режим питания от батарей** представляет собой автоматическую реакцию ИБП на отключение электричества и перепады напряжения за пределы диапазона напряжений, установленного для работы в режиме онлайн. В РЕЖИМЕ ПИТАНИЯ ОТ БАТАРЕЙ ИБП обеспечивает выходное питание переменного тока чистой синусоидальной формы с использованием энергии резервных батарей. После восстановления сетевого питания ИБП возвращается в защищенный режим работы в зависимости от заданного режима питания и параметров питания на входе.
- **Режим онлайн** (именуемый также РЕЖИМОМ ОНЛАЙН С ДВОЙНЫМ ПРЕОБРАЗОВАНИЕМ) обеспечивает высочайший уровень защиты оборудования, подключенного к ИБП. В РЕЖИМЕ ОНЛАЙН ИБП активно преобразует питание переменного тока в питание постоянного тока, а затем обратно для обеспечения на выходе непрерывно стабилизируемого переменного тока напряжением в пределах 2% от выбранного номинального значения выходного напряжения с нулевым временем переключения при переходе ИБП между режимами ОНЛАЙН и ПИТАНИЯ ОТ БАТАРЕЙ.
- **Экономичный режим** обеспечивает энергосберегающую работу ИБП с высочайшим уровнем эксплуатационного КПД. В ЭКОНОМИЧНОМ РЕЖИМЕ ИБП обеспечивает экономию энергии за счет отключения онлайн-процесса с двойным преобразованием на то время, когда входное напряжение питания находится в пределах диапазона напряжений, установленного для работы в ЭКОНОМИЧНОМ РЕЖИМЕ. В случае выхода сетевого напряжения или частоты за пределы диапазонов, установленных для работы в ЭКОНОМИЧНОМ РЕЖИМЕ, ИБП реагирует посредством автоматического переключения в РЕЖИМ ОНЛАЙН до момента восстановления сетевого напряжения.
- **Режим регулировки частоты** обеспечивает ИБП возможность корректировать колебания частоты, имеющие место на входе питания ИБП. Подробную информацию см. в подразделе **Варианты выбора режимов питания**.
- **Режимы преобразования частоты в 60 Гц и преобразования частоты в 50 Гц** обеспечивают ИБП возможность преобразовывать частоту из 50 Гц в 60 Гц (или из 60 Гц в 50 Гц). Частота выходного тока фиксируется на уровне 60 Гц или 50 Гц в соответствии с заданной настройкой частоты. ИБП рассчитан на частоту входного тока от 40 до 70 Гц и обеспечивает ее преобразование по мере необходимости. Подробную информацию см. в подразделе **Варианты выбора режимов питания**.

Примечание. Максимальная мощность, поддерживаемая в режиме преобразования частоты, снижена на 30%.

- **Режим работы по обходной цепи** обеспечивает подачу на подключенное оборудование отфильтрованного и нестабилизированного питания.

Эксплуатационные свойства режимов питания и поддерживаемые режимы работы ИБП

Заданный режим питания ИБП обеспечивает основу для его функционирования с переключением между рабочими режимами в зависимости от происходящих событий, связанных с нарушением электропитания, и статуса ИБП. Каждому режиму питания соответствует уникальный набор рабочих параметров, которого придерживается ИБП в целях выполнения пользовательских настроек, обеспечивающих высокую эффективность работы и высокий КПД. Для наиболее перспективных целей применения имеются также дополнительные возможности регулировки и преобразования частоты. В приведенной ниже таблице перечисляются режимы работы ИБП, поддерживаемые каждым из режимов питания.

		РЕЖИМЫ РАБОТЫ ИБП ИБП автоматически переключает рабочие режимы в зависимости от заданного режима питания, а также текущих параметров электропитания и статуса ИБП.			
		Поддержка РЕЖИМА ОНЛАЙН	Поддержка ЭКОНОМИЧНОГО РЕЖИМА	Поддержка РЕЖИМА ПИТАНИЯ ОТ БАТАРЕЙ	Поддержка АВТОМАТИЧЕСКОГО РЕЖИМА РАБОТЫ ПО ОБХОДНОЙ ЦЕПИ
ВАРИАНТЫ ВЫБОРА РЕЖИМОВ ПИТАНИЯ Выборанный режим питания обеспечивает возможность переключения ИБП между рабочими режимами согласно приведенному описанию.	РЕЖИМ ПИТАНИЯ С АВТОМАТИЧЕСКОЙ НАСТРОЙКОЙ После непрерывной работы в РЕЖИМЕ ОНЛАЙН на протяжении одной недели без отключений электричества ИБП переходит на непрерывную работу в ЭКОНОМИЧНОМ РЕЖИМЕ.	ДА. В то время когда входное напряжение находится в пределах диапазона напряжений, установленного для работы в режиме ОНЛАЙН, но за пределами диапазона напряжений, установленного для режима работы по ОБХОДНОЙ ЦЕПИ, и после восстановления электропитания переменного тока.	ДА. В то время когда входное напряжение находится в пределах диапазона напряжений, установленного для ЭКОНОМИЧНОГО РЕЖИМА, и при отсутствии отключений электричества в течение одной недели.	ДА.	ДА. В случае отказа преобразователя ИБП при нахождении входного напряжения в пределах диапазона напряжений, установленного для режима работы по ОБХОДНОЙ ЦЕПИ.
	МАКС. КАЧЕСТВО ИБП непрерывно работает в РЕЖИМЕ ОНЛАЙН с целью поддержания высочайшего качества выходного питания, подаваемого на подключенное к нему оборудование.	ДА. В то время когда входное напряжение находится в пределах диапазона напряжений, установленного для работы в режиме ОНЛАЙН.	НЕТ.	ДА.	ДА. В случае отказа преобразователя ИБП при нахождении входного напряжения в пределах диапазона напряжений, установленного для режима работы по ОБХОДНОЙ ЦЕПИ.
	МАКС. КПД ИБП непрерывно работает в ЭКОНОМИЧНОМ РЕЖИМЕ при нахождении входного напряжения в пределах диапазона, установленного для режима работы по обходной цепи.	ДА. В то время когда входное напряжение находится в пределах диапазона напряжений, установленного для работы в режиме ОНЛАЙН, но за пределами диапазона напряжений, установленного для режима работы по ОБХОДНОЙ ЦЕПИ.	ДА. В то время когда входное напряжение находится в пределах диапазона напряжений, установленного для работы в ЭКОНОМИЧНОМ РЕЖИМЕ.	ДА.	ДА. В случае отказа преобразователя ИБП при нахождении входного напряжения в пределах диапазона напряжений, установленного для режима работы по ОБХОДНОЙ ЦЕПИ.
	РЕГУЛИРОВКА ЧАСТОТЫ ИБП регулирует выходную частоту в пределах $\pm 0,5$ Гц от номинала.	ДА. В то время когда входное напряжение находится в пределах диапазона напряжений, установленного для работы в режиме ОНЛАЙН.*	НЕТ.	ДА.	ДА. В случае отказа преобразователя ИБП при нахождении входного напряжения в пределах диапазона напряжений, установленного для режима работы по ОБХОДНОЙ ЦЕПИ.
	ПРЕОБРАЗОВАНИЕ ЧАСТОТЫ В 60 Гц ИБП преобразует частоту в 60 Гц ($\pm 0,5$ Гц).	ДА. В то время когда входное напряжение находится в пределах диапазона напряжений, установленного для работы в режиме ОНЛАЙН.**	НЕТ.	ДА.	НЕТ.
	ПРЕОБРАЗОВАНИЕ ЧАСТОТЫ В 50 Гц ИБП преобразует частоту входного тока 60 Гц в 50 Гц ($\pm 0,5$ Гц).	ДА. В то время когда входное напряжение находится в пределах диапазона напряжений, установленного для работы в режиме ОНЛАЙН.**	НЕТ.	ДА.	НЕТ.

* На ЖК-дисплее FREQUENCY CONVERSION ("ПРЕОБРАЗОВАНИЕ ЧАСТОТЫ") отображается в качестве рабочего режима с информацией о снижении мощности.

** На ЖК-дисплее FREQUENCY CONVERSION ("ПРЕОБРАЗОВАНИЕ ЧАСТОТЫ") отображается в качестве рабочего режима с информацией о снижении мощности.

Варианты выбора и конфигурации на ЖК-дисплее передней панели

ГЛАВНОЕ МЕНЮ / ПОДМЕНЮ	ИЗОБРАЖЕНИЕ / ОПЦИИ НАСТРОЕК	ИЗОБРАЖЕНИЕ / ОПИСАНИЕ НАСТРОЕК
СТАТУС		
Статус нагрузки	<ul style="list-style-type: none"> • Уровень нагрузки (% , кВт, кВА, А, КМ) • Полезная мощность (% , кВт, кВА) 	<p>Нагрузка на ИБП в процентах (%), киловаттах (кВт), киловольтамперах (кВА), амперах (А) и коэффициент мощности (КМ).</p> <p>Полезная мощность ИБП в процентах (%), киловаттах (кВт) и киловольтамперах (кВА).</p>
Статус вход/выход	<ul style="list-style-type: none"> • Входное напряжение и частота (В~, Гц) • Выходное напряжение и частота (В~, Гц) • Группа потребителей 1 (Вкл, Выкл) • Группа потребителей 2 (Вкл, Выкл) • Группа потребителей 3 (Вкл, Выкл) 	<p>Отображает информацию о статусе входных и выходных параметров ИБП, таких как входное/выходное напряжение (В~), частота (Гц), а также информацию о статусе электропитания групп розеток (Вкл/Выкл).</p>
Статус энергопотребления	<ul style="list-style-type: none"> • КПД (%) • Сред. мощность (кВт-ч) • Заданный режим питания 	<p>Отображает коэффициент полезного действия ИБП в процентах (%), потребляемую подключенным оборудованием мощность в киловатт-часах (кВт-ч) и заданный режим питания.</p>
Статус батареи	<ul style="list-style-type: none"> • Номер модели и серийный номер батареи • Дата установки (мм/дд/гггг) • Дата истечения срока службы (мм/дд/гггг) 	<p>Отображает номер модели и серийный номер блока аккумуляторных батарей (только для БЛОКОВ АККУМУЛЯТОРНЫХ БАТАРЕЙ Tripp Lite SMART), дату установки и установленную пользователем дату истечения срока службы.</p>
Схема электропитания	<ul style="list-style-type: none"> • Просмотр функциональной блок-схемы ИБП 	<p>Отображает режим работы ИБП в виде графической схемы.</p>
УПРАВЛЕНИЕ		
Запуск тестирования батарей	<ul style="list-style-type: none"> • Запускает процесс ручного тестирования батарей 	<p>Запускает кратковременный внутренний тест батарей ИБП с немедленным получением результатов "пройден/не пройден".</p>
Сброс ошибки	<ul style="list-style-type: none"> • Сбрасывает любые сообщения об ошибках 	<p>Используйте эту опцию для стирания сообщений об ошибках ИБП.</p>
Автотестирование Тестирование	<ul style="list-style-type: none"> • Установите интервал регулярного внутреннего тестирования батарей <ul style="list-style-type: none"> ○ Выключено ○ 4 недели (заводская настройка) ○ 13 недель ○ 26 недель 	<p>Используйте эту опцию для запуска автоматического тестирования батарей ИБП с регулярными интервалами.</p>
ЖУРНАЛ СОБЫТИЙ		
Задержка сигнализации События	<ul style="list-style-type: none"> • Счетчик событий (только для событий с питанием от батарей ИБП) • Общее к-во минут (общее к-во минут работы в режиме питания от батарей) • Последнее отключение электричества (дата) • К-во месяцев до оповещения о замене батарей (мес.) • Статистика событий (дата, время и описание последних 20 зарегистрированных событий) 	<p>Отображает сводный перечень всех событий с ПИТАНИЕМ ОТ БАТАРЕЙ, когда ИБП переключался в режим питания от батарей при возникновении того или иного состояния, защиту от которого он обеспечивает. В статистике событий перечисляются 20 последних событий с питанием от батарей. При появлении последующих оповещений самые старые записи автоматически удаляются.</p>
Все события	<ul style="list-style-type: none"> • Счетчик событий (все события) • Последнее событие (дата) • Журнал регистрации дат/времени 	<p>Отображает сводный перечень всех зарегистрированных событий. В статистике событий перечисляются 20 последних событий. При появлении последующих оповещений самые старые записи автоматически удаляются.</p>
НАСТРОЙКИ		
Начальная установка	Система <ul style="list-style-type: none"> • Текущая дата (отобразить, установить дату) • Текущее время (отобразить, установить время) • Звуковая сигнализация (включить, отключить) • Язык (выбрать) 	<p>Отображает, устанавливает и сбрасывает дату, время, статус звуковой сигнализации и языковые настройки.</p> <p>Примечание. Настройка Audible Alarm DISABLE ("ОТКЛЮЧИТЬ звуковую сигнализацию") предотвращает подачу только сигналов о перебоях электропитания и рабочих отказах; при этом ИБП всегда подает звуковой сигнал ("зуммер") для подтверждения приема данных, вводимых пользователем с помощью кнопок перемещения ЖК-дисплея на передней панели.</p> <p>Примечание. Текущая дата и текущее местное время передаются непосредственно с карты дистанционного управления.</p>
	Выходное напряжение <ul style="list-style-type: none"> • 200 • 208 • 220 • 230 • 240 	<p>Используйте опцию SETTINGS / BASIC / OUTPUT VOLTAGE ("НАСТРОЙКИ / ОСНОВНЫЕ / ВЫХОДНОЕ НАПРЯЖЕНИЕ") для отображения или установки номинального значения выходного напряжения ИБП (изменения вступают в силу после следующего перезапуска).</p>

ГЛАВНОЕ МЕНЮ / ПОДМЕНЮ	ИЗОБРАЖЕНИЕ / ОПЦИИ НАСТРОЕК	ИЗОБРАЖЕНИЕ / ОПИСАНИЕ НАСТРОЕК
НАСТРОЙКИ		
Базовые настройки (продолжение)	Режим питания: <ul style="list-style-type: none"> • С автонастройкой • С максимальным КПД • С максимальным качеством • Регулировка частоты • Преобр. частоты в 60 Гц • Преобр. частоты в 50 Гц 	Используйте опцию SETTINGS / BASIC / POWER STRATEGY ("НАСТРОЙКИ / ОСНОВНЫЕ / РЕЖИМ ПИТАНИЯ") для отображения или установки режима питания ИБП. Более подробную информацию об имеющихся вариантах режимов питания см. в подразделе Варианты выбора режимов питания раздела Эксплуатация .
	Батарея: <ul style="list-style-type: none"> • Конфигурация батарей • Внешняя батарея • Предупреждение об истечении срока службы батарей 	Для просмотра установленных внешних батарей и дат истечения их сроков службы, а также информации о сменных батарейных картриджах используйте опцию "Настройки/Основные/Батарея". Информацию о порядке настройки внешних блоков аккумуляторных батарей см. в подразделе Эксплуатация/Настройка внешних блоков аккумуляторных батарей . Параметр "Battery Age Alert" ("Предупреждение об истечении срока службы батарей") обеспечивает возможность настройки времени до напоминания о необходимости замены батарей. Заводская настройка по умолчанию: Отключено.
Дополнительные настройки	Система: <ul style="list-style-type: none"> • Яркость дисплея <ul style="list-style-type: none"> ◦ Высокая ◦ Средняя (заводская настройка) ◦ Низкая • Уменьшение яркости подсветки: введите значение от 10 до 120 секунд (заводская настройка: 60 секунд) • Пароль: установите пароль из 4 цифр (заводская настройка: 0000) • Восстановление заводских настроек (сбрасывает все настройки ИБП на заводские значения, включая настройки конфигурации батарей) Примечание. После исполнения данной команды происходит перезагрузка SNMP-карты.	Используйте опцию SETTINGS / ADVANCED / SYSTEM ("НАСТРОЙКИ / ДОПОЛНИТЕЛЬНЫЕ / СИСТЕМА") для установки яркости дисплея, времени уменьшения яркости подсветки дисплея и пароля или сброса всех настроек на заводские значения.
	Вход/выход: <ul style="list-style-type: none"> • Уровень срабатывания сигнала о перегрузке: введите значение от 5 до 105% (заводская настройка: 100%) 	Используйте опцию SETTINGS / ADVANCED / IN-OUT ("НАСТРОЙКИ / ДОПОЛНИТЕЛЬНЫЕ / ВХОД-ВЫХОД") для установки значения выходной нагрузки ИБП в процентах, при котором производится отправка предупредительного сигнала о перегрузке.
	<ul style="list-style-type: none"> • Задать действие в случае отказа (реакцию ИБП на отказ) <ul style="list-style-type: none"> ◦ Перейти на обходную цепь (заводская настройка) ◦ В режим ожидания 	Устанавливает реакцию ИБП на состояния неисправности, требующие выхода ИБП из режима двойного преобразования. Опция GO TO BYPASS ("ПЕРЕЙТИ НА ОБХОДНУЮ ЦЕПЬ") обеспечивает наличие переменного тока на выходе (в течение всего времени, пока входное напряжение находится между верхним и нижним пороговыми значениями для режима работы по обходной цепи). Опция GO TO STANDBY ("ПЕРЕЙТИ В РЕЖИМ ОЖИДАНИЯ") обеспечивает отключение переменного тока на выходе ИБП в условиях неисправности.
	<ul style="list-style-type: none"> • Нижнее пороговое значение для режима работы по обходной цепи: введите значение от -5% до -20% (заводская настройка: -15%) 	Задает минимально допустимое входное напряжение для работы по обходной цепи.
	<ul style="list-style-type: none"> • Верхнее пороговое значение для режима работы по обходной цепи: введите значение от +5% до +20% (заводская настройка: +15%) 	Задает максимально допустимое входное напряжение для работы по обходной цепи.
	Вкл/выкл: <ul style="list-style-type: none"> • "Холодный" старт <ul style="list-style-type: none"> ◦ Разрешен (заводская настройка) ◦ Запрещен • Автоматический перезапуск <ul style="list-style-type: none"> ◦ Разрешен (заводская настройка) ◦ Запрещен • Задержка автоматического перезапуска <ul style="list-style-type: none"> ◦ Введите значение от 0 до 60 секунд (заводская настройка: 0 секунд) • Энергосбережение <ul style="list-style-type: none"> ◦ Введите значение от 0 до 100% ◦ Выключено (заводская настройка) • Выкл. <ul style="list-style-type: none"> ◦ Режим ожидания ◦ Обходная цепь (заводская настройка) • Мин. уровень заряда батарей для перезапуска <ul style="list-style-type: none"> ◦ Введите значение от 10 до 90% ◦ Выключено (заводская настройка) 	Используйте опцию SETTINGS / ADVANCED / ON-OFF ("НАСТРОЙКИ / ДОПОЛНИТЕЛЬНЫЕ / ВКЛ-ВЫКЛ") для: Разрешение "холодного" старта обеспечивает возможность автоматического переключения ИБП в режим питания от батарей при отключении электричества. Разрешение автоматического перезапуска обеспечивает возможность автоматического переключения ИБП обратно в защищенный рабочий режим при восстановлении электропитания. Наличие задержки автоматического перезапуска ИБП обеспечивает принудительное ожидание в течение 0-60 секунд перед автоматическим перезапуском при восстановлении электропитания. Для использования данной функции требуется разрешение автоматического перезапуска при восстановлении электропитания. Функция энергосбережения обеспечивает возможность автоматического отключения ИБП при непрерывном сохранении уровня выходной нагрузки ниже установленного порога в течение 5 минут. Настройка на работу по обходной цепи в выключенном состоянии позволяет обеспечивать на выходе ИБП нестабилизированное сетевое электропитание (в диапазоне между верхним и нижним пороговыми значениями для режима работы по обходной цепи) во время его нахождения в выключенном состоянии. Наличие минимального уровня заряда батарей для перезапуска ИБП обеспечивает принудительное ожидание момента перезарядки батарей до установленного процентного уровня перед автоматическим перезапуском. Примечание. Если уровень заряда батарей находится ниже минимально установленного порога для перезапуска, то запуск ИБП может быть произведен вручную посредством нажатия кнопки питания. Для использования данной функции требуется разрешение автоматического перезапуска при восстановлении электропитания.

ГЛАВНОЕ МЕНЮ / ПОДМЕНЮ	ИЗОБРАЖЕНИЕ / ОПЦИИ НАСТРОЕК	ИЗОБРАЖЕНИЕ / ОПИСАНИЕ НАСТРОЕК	
НАСТРОЙКИ			
Дополнительные настройки (продолжение)	Питание от батарей: <ul style="list-style-type: none"> • Оповещение о низком уровне заряда батарей <ul style="list-style-type: none"> ◦ Введите значение от 10 до 90% (заводская настройка: 20%) • Отключение через установленное время <ul style="list-style-type: none"> ◦ Введите значение 15, 30, 45 сек. или от 1 до 30 мин. ◦ Выключено (заводская настройка) • Отключение при низком уровне заряда батарей <ul style="list-style-type: none"> ◦ Введите значение от 5 до 100% ◦ Выключено (заводская настройка) • Задержка сигнализации перехода в режим работы от батарей <ul style="list-style-type: none"> ◦ Введите значение от 0 до 120 секунд (заводская настройка: 5 секунд) • Штатное отключение оборудования <ul style="list-style-type: none"> ◦ Требуется (заводская настройка) ◦ Допускается прерывание работы 	<p>Позволяет ИБП направить пользователю оповещение о низком уровне заряда батарей в случае разрядки последних до установленного уровня заряда при отключении электричества.</p> <p>Функция отключения через установленное время позволяет установить максимальное время работы от батарей в секундах или минутах, которое ИБП будет обеспечивать при отключении электричества. Для установки максимально возможного времени работы от батарей используйте настройку DISABLE ("ВЫКЛЮЧЕНО").</p> <p>Функция отключения при низком уровне заряда батарей позволяет установить максимальную степень разряда батарей до момента отключения ИБП по причине падения уровня заряда батарей. Использование настройки DISABLE ("ВЫКЛЮЧЕНО") позволяет батареям разряжаться до 0% перед отключением ИБП.</p> <p>Настройка Beep Delay ("Задержка звукового сигнала") обеспечивает возможность задержки срабатывания звуковой сигнализации, предотвращающей подачу сигнала на время до 120 секунд при кратковременных отключениях электричества.</p> <p>Перед отключением ИБП последний передает подключенным к нему системам сообщение о предстоящем отключении. Использование настройки INTERRUPT OK ("ПЕРЕРЫВАНИЕ ДОПУСТИМО") позволяет прервать процесс отключения в случае восстановления электропитания после отправки сообщения о предстоящем отключении.</p>	
	Настройки DB9: <ul style="list-style-type: none"> • Настройки DB9 <ul style="list-style-type: none"> ◦ Выходные контакты 1 и 5 <ul style="list-style-type: none"> - Питание от батарей (заводская настройка) - Работа по обходной цепи - Выход вкл. - Низкий уровень заряда батарей (только в режиме работы от батарей) ◦ Выходные контакты 8 и 5 <ul style="list-style-type: none"> - Питание от батарей - Работа по обходной цепи - Выход вкл. - Низкий уровень заряда батарей (только в режиме работы от батарей — заводская настройка) ◦ Входные контакты 3 и 9 <ul style="list-style-type: none"> - Отключение (только в режиме питания от батарей — заводская настройка) - Выход выкл. - Перезагрузка - Выход вкл. - Переключение питания 	<p>ИБП будет сигнализировать о выбранном состоянии путем закорачивания контактов 1 и 5 порта DB9. Максимальные уровни напряжения и тока через этот разъем с сухими контактами: 30 В= / 10 мА.</p> <p>ИБП будет сигнализировать о выбранном состоянии путем закорачивания контактов 8 и 5 порта DB9. Максимальные уровни напряжения и тока через этот разъем с сухими контактами: 30 В= / 10 мА.</p> <p>ИБП будет производить выбранное действие при закорачивании контактов 3 и 9 порта DB9 в течение как минимум 4 секунд.</p> <p>Примечание относительно опции Reboot ("Перезагрузка") (перезагрузка по истечении 30 секунд с момента отключения выходного питания): обратите внимание на то, что для выполнения перезагрузки контакты должны быть закорочены в течение как минимум 4 секунд. Перезагрузка производится ровно через 4 секунды. Если контакты остаются закороченными на протяжении более чем 4 секунд, то каких-либо дополнительных действий не требуется. После прекращения короткого замыкания ИБП не производит каких-либо действий.</p> <p>Опция Power Toggle ("Переключение питания") предназначена для поддержания устройства в запитанном состоянии в течение всего времени, когда указанные контакты не закорочены, и в обесточенном состоянии в течение всего времени, когда они закорочены. Обратите внимание на то, что этот входной сигнал не может обеспечить запитывание устройства из выключенного состояния до момента подачи на его вход переменного тока с допустимыми параметрами (данная функция не обеспечивает принудительного "холодного" пуска). Для запитывания устройства указанные контакты должны оставаться в незакороченном состоянии в течение как минимум 4 секунд при допустимых параметрах переменного тока, подаваемого на вход. Для обесточивания устройства указанные контакты должны оставаться в закороченном состоянии в течение как минимум 4 секунд.</p> <p>ИБП производит выбранное действие в случае потери сигнала от подключенного через порт USB устройства в режиме питания от сети на установленный период времени.</p>	
	ОБЩАЯ ИНФОРМАЦИЯ		
	Сведения об ИБП	Номер модели ИБП, серийный номер ИБП, дата установки ИБП	Дата установки ИБП автоматически фиксируется устройством по истечении 2 часов непрерывной работы.
	Сетевой идентификатор	Прошивка карты управления оборудованием через веб-интерфейс, IPv4-адрес, IPv6-адрес, MAC-адрес	
	Прошивка	Версии прошивки ИБП	
Моб. доступ	—	Направляет пользователя в интерфейс SNMP-карты. URL-адрес: защищенный HTTPS.	
ДОКУМЕНТАЦИЯ			
QR-код документации	—	Направляет пользователя к документации на изделие, размещенной на сайте Tripp Lite.	

Настройка внешнего блока аккумуляторных батарей

ИБП Tripp Lite SmartOnline рассчитаны на подключение внешних блоков аккумуляторных батарей для продления времени их работы. Для того чтобы ИБП обеспечивал эффективные уровни зарядки и точно выполнял предписания относительно времени своей работы в целях оптимизации времени работы сети перед отправкой сообщений об автоматическом отключении, после установки внешних блоков аккумуляторных батарей требуется их настройка на конкретный ИБП.

Существуют два способа настройки внешних блоков аккумуляторных батарей на конкретный ИБП, которые применяются в зависимости от выбранного блока батарей и количества таких блоков, подключаемых к ИБП. Некоторые конфигурации блоков аккумуляторных батарей могут требовать использования более чем одного способа настройки.

Настраиваются АВТОМАТИЧЕСКИ (при использовании блоков аккумуляторных батарей SMART)	или с использованием ПРОГРАММНОГО ОБЕСПЕЧЕНИЯ НАСТРОЙКИ ВНЕШНИХ БАТАРЕЙ
ИБП может автоматически распознавать до 4 подключенных к нему БЛОКОВ АККУМУЛЯТОРНЫХ БАТАРЕЙ SMART.	Для настройки ИБП на любое поддерживаемое количество внешних блоков аккумуляторных батарей SMART и NON-SMART может использоваться программное обеспечение настройки внешних батарей.

Предлагаемые компанией Tripp Lite блоки аккумуляторных батарей SMART снабжены разъемом для передачи данных по кабелю, обеспечивающим возможность автоматического распознавания и настройки до 4 блоков аккумуляторных батарей SMART, подключенных к ИБП. Традиционно выпускавшиеся компанией Tripp Lite блоки аккумуляторных батарей NON-SMART также подходят для применения в целях, связанных с продлением времени работы, но требуют настройки пользователем с помощью ПРОГРАММНОГО ОБЕСПЕЧЕНИЯ НАСТРОЙКИ ВНЕШНИХ БАТАРЕЙ.

Настройка БЛОКОВ АККУМУЛЯТОРНЫХ БАТАРЕЙ SMART и NON-SMART

Подключение до 4 БЛОКОВ АККУМУЛЯТОРНЫХ БАТАРЕЙ SMART к ИБП

К каждому ИБП может подключаться до 4 блоков аккумуляторных батарей SMART для их автоматического распознавания и настройки. Блоки аккумуляторных батарей SMART снабжены разъемом для передачи данных по кабелю, через который они подключаются к имеющемуся в ИБП порту обнаружения блоков аккумуляторных батарей для их автоматического распознавания и настройки источником бесперебойного питания.

Для настройки ИБП на использование с БЛОКАМИ АККУМУЛЯТОРНЫХ БАТАРЕЙ SMART в количестве до 4 штук достаточно подключить поставляемые в комплекте кабели ПИТАНИЯ и ПЕРЕДАЧИ ДАННЫХ между ИБП и первым БЛОКОМ АККУМУЛЯТОРНЫХ БАТАРЕЙ SMART. Затем подключите кабели ПИТАНИЯ и ПЕРЕДАЧИ ДАННЫХ, предназначенные для других БЛОКОВ АККУМУЛЯТОРНЫХ БАТАРЕЙ SMART, к следующему блоку. ИБП автоматически распознает и настроит до 4 подключенных к нему БЛОКОВ АККУМУЛЯТОРНЫХ БАТАРЕЙ SMART.

Подключение более чем 4 БЛОКОВ АККУМУЛЯТОРНЫХ БАТАРЕЙ SMART к ИБП

ИБП серии SmartOnline могут автоматически распознавать до 4 БЛОКОВ АККУМУЛЯТОРНЫХ БАТАРЕЙ SMART согласно приведенному выше описанию. При необходимости настройки более чем четырех блоков аккумуляторных батарей все блоки должны настраиваться с помощью программного обеспечения для настройки батарейных блоков. При выполнении такой настройки не подключайте кабели батарей Smart ни к одному из внешних блоков аккумуляторных батарей.

Разъемы для подключения опциональных элементов

ИБП будет функционировать надлежащим образом и без этих подключений.

1 Взаимодействие через порты USB и RS-232 с сухими контактами

Для соединения коммуникационного порта своего компьютера с коммуникационным портом ИБП используйте USB-кабель (см. рис. 1a) и/или последовательный кабель RS-232 (см. рис. 1b) из комплекта поставки. Установите на свой компьютер программное обеспечение Tripp Lite PowerAlert, соответствующее его операционной системе. Более подробную информацию см. в руководстве пользователя ПО PowerAlert.

1c Коммуникационные порты с сухими контактами RS-232 имеют простую конструкцию, но для придания им необходимой конфигурации требуются некоторые знания в области электроники. Варианты разводки контактов порта RS-232 представлены на схеме. При низком уровне заряда батареи ИБП он подает сигнал путем замыкания контактов 8 и 5. При отключении сетевого питания ИБП подает сигнал путем замыкания контактов 1 и 5. Для дистанционного выключения ИБП следует замкнуть контакты 3 и 9 как минимум на 4 секунды. Настройка дополнительных функций этих контактов может производиться через ЖК-экран или карту управления оборудованием через веб-интерфейс.

КОНТАКТ	Описание присвоения	
	RS-232	Сухой контакт
1		Отказ сетевого питания (разомкнутый коллектор)
2	ИБП Передача данных	
3	ИБП Прием данных	Дистанционное отключение (5-12 В)
4	Зарезервировано	Зарезервировано
5	ЗЕМЛЯ	ЗЕМЛЯ
6	Зарезервировано	Зарезервировано
7		
8		Низкий уровень заряда батарей (разомкнутый коллектор)
9		+12 В (источник 1 кОм)

Номинал и характеристики контактов 1 и 8 — ЗЕМЛЯ		
Параметр	Значение	Условия
Максимальное коллекторное напряжение	30 В	
Максимальный коллекторный ток	10 мА	
Максимальное обратное коллекторное напряжение	-5 В	
Максимальный ток утечки	0,1 мкА	Коллекторное напряжение = 20 В, функция контакта: неактивен
Типовое падение напряжения	0,5 В	Коллекторный ток = 5 мА, функция контакта: активен

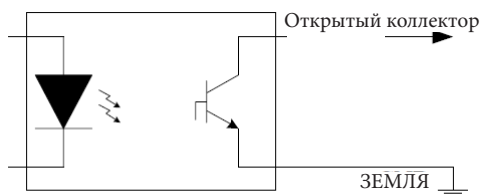
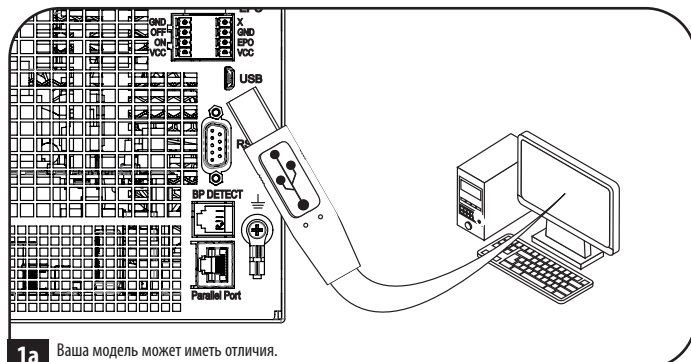
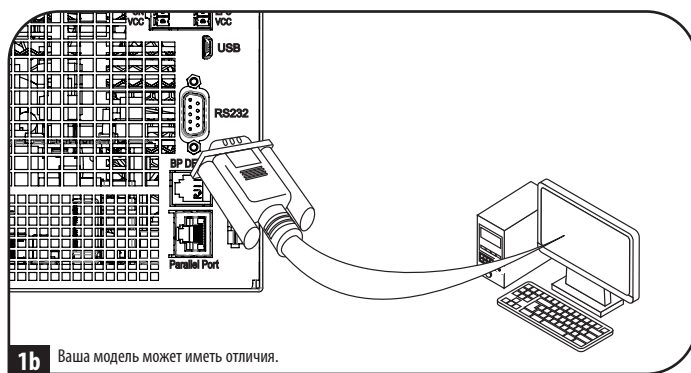


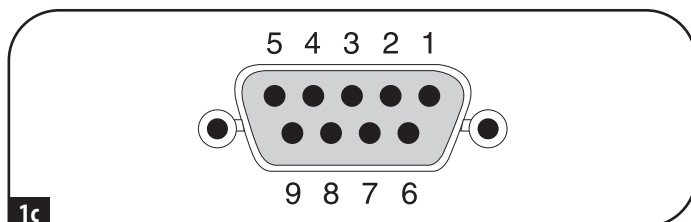
Схема с открытым коллектором



1a Ваша модель может иметь отличия.



1b Ваша модель может иметь отличия.



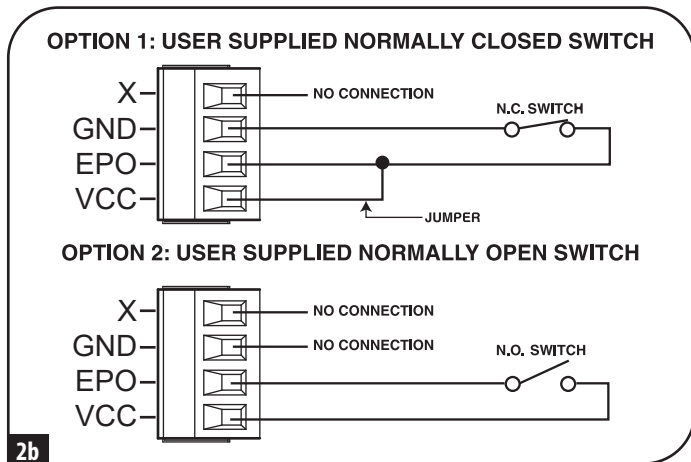
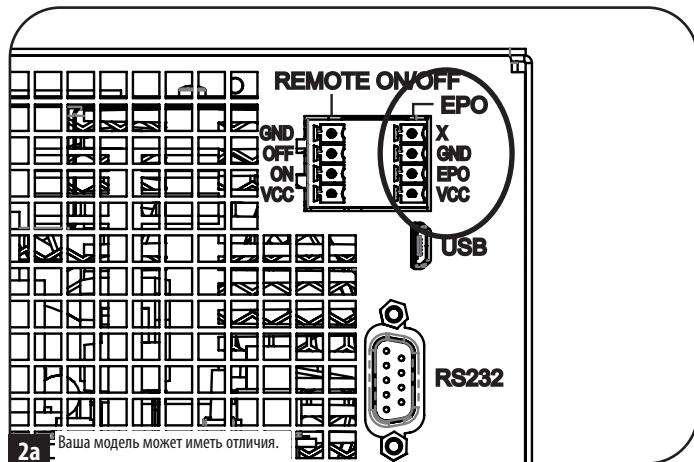
1c

Разъемы для подключения опциональных элементов

2 Порт интерфейса EPO

Этот дополнительный функциональный элемент предназначается только для целей, требующих наличия связи ИБП с системой аварийного отключения питания (EPO) того или иного объекта. При подключении ИБП к этой цепи он переходит в режим ожидания при отказе. Соедините порт EPO своего ИБП (см. **2a**) с нормально замкнутым или нормально разомкнутым выключателем (в комплект поставки не входит) согласно принципиальной электрической схеме (см. **2b**).

Примечание. Блок 4-контактных зажимов рассчитан на провода калибром 14-30 AWG с длиной зачистки 7 мм. Винты M2 для фиксации зажимов должны затягиваться с усилием 0,22-0,25 Н·м. В случае использования выключателя EPO без фиксации последний необходимо удерживать в течение как минимум 1 секунды. На выключатели EPO с фиксацией данное требование не распространяется.



Состояние ИБП после срабатывания защиты EPO при наличии входного питания переменного тока с допустимыми параметрами:

Выход питания переменного тока	Статус ЖК-экрана	Статус светодиодных индикаторов	USB	Последовательный	SNMP
Не горит	EPO Active	Горит только индикатор входа питания переменного тока.	Не горит	Не горит	Не горит

Для перезапуска ИБП после срабатывания защиты EPO при наличии входного питания переменного тока с допустимыми параметрами:

1. Убедитесь в том, что сообщение о срабатывании защиты EPO удалено или сброшено.
2. Нажмите на кнопку POWER ON/OFF ("ПИТАНИЕ ВКЛ/ВЫКЛ") и удерживайте ее до звукового сигнала. После этого ИБП запустится в одном из предварительно заданных нормальных режимов работы.

Состояние ИБП после срабатывания защиты EPO при отсутствии входного питания переменного тока с допустимыми параметрами (режим питания от батарей):

Выход питания переменного тока	Статус ЖК-экрана	Статус светодиодных индикаторов	USB	Последовательный	SNMP
Не горит	EPO Active	Не горит	Не горит	Не горит	Не горит

Для перезапуска ИБП после срабатывания защиты EPO:

1. Убедитесь в том, что сообщение о срабатывании защиты EPO удалено или сброшено.
2. Нажмите на кнопку POWER ON/OFF ("ПИТАНИЕ ВКЛ/ВЫКЛ") и удерживайте ее до звукового сигнала. После этого ИБП перезапустится либо в режиме питания от батарей, либо в предварительно заданном нормальном режиме работы (при наличии питания переменного тока).

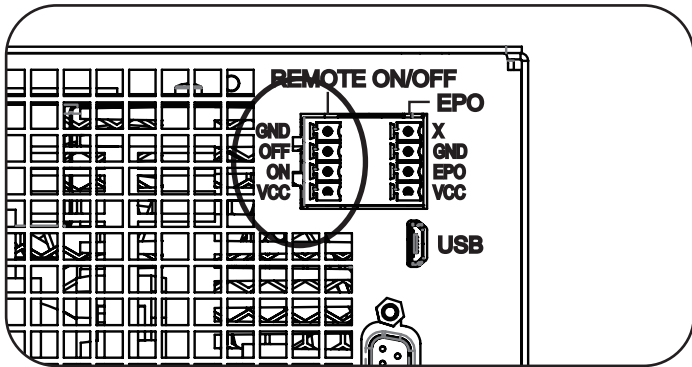
Разъемы для подключения опциональных элементов

3 Настройка дистанционного включения/выключения

Данная функция предназначена для переключения ИБП в режим работы по обходной цепи при настройке дистанционного выключения (ВЫКЛ) или в режим питания от сети при настройке дистанционного включения (ВКЛ).

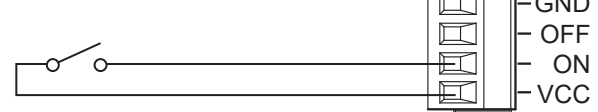
Примечание. Блок 4-контактных зажимов рассчитан на провода калибром 14-30 AWG с длиной зачистки 7 мм. Винты M2 для фиксации зажимов должны затягиваться с усилием 0,22-0,25 Н-м. Примечание. Перед активацией функции Remote ON ("Дистанционное включение") необходимо проверить наличие переменного тока на входе и его соответствие установленным требованиям.

Примечание. Перед активацией функции Remote ON ("Дистанционное включение") необходимо проверить наличие переменного тока на входе и его соответствие установленным требованиям. Блок 4-контактных зажимов рассчитан на провода калибром 14-30 AWG с длиной зачистки 7 мм. Винты M2 для фиксации зажимов должны затягиваться с усилием 0,22-0,25 Н-м.



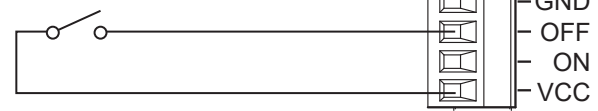
REMOTE ON CONFIGURATION:

USER SUPPLIED NORMALLY OPEN SWITCH



REMOTE OFF CONFIGURATION:

USER SUPPLIED NORMALLY OPEN SWITCH

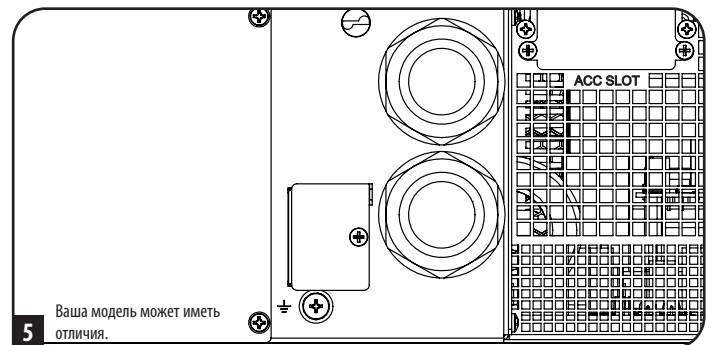


4 Подключение внешних батарей

Информация о совместимых с вашим ИБП моделях блоков аккумуляторных батарей и их максимально допустимых количествах приведена в подразделе

Комплектующие для конкретных моделей раздела **Краткое описание.**

Убедитесь в том, что выбранный вами блок аккумуляторных батарей имеет напряжение, соответствующее указанному рядом с разъемом для подключения батарей к вашему ИБП. Наряду с продлением времени автономной работы, подключение дополнительных внешних батарей приведет к продлению времени зарядки. Все указания по установке и начальной настройке см. в руководстве пользователя блока аккумуляторных батарей. Прежде всего необходимо прикрепить провод заземления батарейного кабеля к заземляющему винту, расположенному рядом с разъемом постоянного тока. Подсоедините разъем постоянного тока и убедитесь в том, что он вставлен до упора, после чего зафиксируйте его при помощи винта с накатанной головкой. При подключении батарей возможно незначительное искрообразование, что представляет собой нормальное явление. Не подключайте и не отключайте блоки аккумуляторных батарей во время работы ИБП в режиме питания от батарей.



ВНИМАНИЕ! Для обеспечения точного прогноза времени работы при отображении оставшегося времени на ЖК-дисплее и информационных экранах программного обеспечения при наличии подключенных внешних блоков аккумуляторных батарей необходимо выполнить настройку с использованием коммуникационных кабелей для батарей Smart (до 4 блоков аккумуляторных батарей Smart), ЖК-дисплея передней панели или разработанного компанией Tripp Lite программного обеспечения настройки внешних батарей. См. подраздел Настройка внешних блоков аккумуляторных батарей раздела Эксплуатация.



При установке внешнего блока аккумуляторных батарей необходимо учитывать все предупреждения относительно внешних батарейных блоков, изложенные в разделе Важные указания по технике безопасности настоящего руководства, и выполнить указания по установке внешних блоков аккумуляторных батарей.

Выявление и устранение неисправностей и журнал событий

В приведенной ниже таблице содержится разъяснение сообщений о неисправностях ИБП и предупредительных сообщений, доступных через журнал событий, выводимых на ЖК-экран или с помощью программного обеспечения PowerAlert, а также предлагаемые варианты устранения проблем по каждому сообщению о неисправности / предупредительному сообщению.

Сообщение на ЖК-дисплее	Текст заголовка на ЖК-дисплее	Комментарии
Внутренние ошибки/неисправности ИБП:		
Перегр. преоб.: ток	** ОТКАЗ **	В случае сохранения возникшей проблемы обратитесь в компанию Tripp Lite.
Перегр. преоб.: ток	** ОТКАЗ **	В случае сохранения возникшей проблемы обратитесь в компанию Tripp Lite.
Откл. ОСР преобр.	** ОТКАЗ **	В случае сохранения возникшей проблемы обратитесь в компанию Tripp Lite.
Напр. на шине преобр.	** ОТКАЗ **	В случае сохранения возникшей проблемы обратитесь в компанию Tripp Lite.
Потеря внутр. связи	** ОТКАЗ **	В случае сохранения возникшей проблемы обратитесь в компанию Tripp Lite.
Отказ LCR	** ОТКАЗ **	ИБП не включается. В случае сохранения возникшей проблемы обратитесь в компанию Tripp Lite.
Таймаут транзакции	** ОТКАЗ **	В случае сохранения возникшей проблемы обратитесь в компанию Tripp Lite.
Аварийное отключение	** ОТКАЗ **	В случае сохранения возникшей проблемы обратитесь в компанию Tripp Lite.
Отказ RTOS	** ОТКАЗ **	В случае сохранения возникшей проблемы обратитесь в компанию Tripp Lite.
Недостаточное питание	** ОТКАЗ **	В случае сохранения возникшей проблемы обратитесь в компанию Tripp Lite.
Отказ ручного байпаса	** ОТКАЗ **	В случае сохранения возникшей проблемы обратитесь в компанию Tripp Lite.
Отказ пр. зар. ТирУст	** ОТКАЗ **	В случае сохранения возникшей проблемы обратитесь в компанию Tripp Lite.
Избыт. напр. ТирУст	** ОТКАЗ **	В случае сохранения возникшей проблемы обратитесь в компанию Tripp Lite.
Недост. напр. ТирУст	** ОТКАЗ **	В случае сохранения возникшей проблемы обратитесь в компанию Tripp Lite.
Избыт. напр. ТирУст	** ОТКАЗ **	В случае сохранения возникшей проблемы обратитесь в компанию Tripp Lite.
Недост. напр. ТирУст	** ОТКАЗ **	В случае сохранения возникшей проблемы обратитесь в компанию Tripp Lite.
Перегр. ТирУст: ток	** ОТКАЗ **	В случае сохранения возникшей проблемы обратитесь в компанию Tripp Lite.
Перегр. ТирУст: ток	** ОТКАЗ **	В случае сохранения возникшей проблемы обратитесь в компанию Tripp Lite.
Несовп. заголовков	** ОШИБКА **	В случае сохранения возникшей проблемы обратитесь в компанию Tripp Lite.
Неисп. вент.:низ. скор.	** ОШИБКА **	В случае сохранения возникшей проблемы обратитесь в компанию Tripp Lite.
Несов. конт. сум. NVR	** ОШИБКА **	В случае сохранения возникшей проблемы обратитесь в компанию Tripp Lite.
NVR недейст.	** ОШИБКА **	В случае сохранения возникшей проблемы обратитесь в компанию Tripp Lite.
Отказ осц. RTC	** ОШИБКА **	В случае сохранения возникшей проблемы обратитесь в компанию Tripp Lite.
Искажение данных RTC	** ОШИБКА **	В случае сохранения возникшей проблемы обратитесь в компанию Tripp Lite.
Ошибка входа в сист.	** ОШИБКА **	В случае сохранения возникшей проблемы обратитесь в компанию Tripp Lite.
Ошибка записи ЭСППЗУ	** ОШИБКА **	В случае сохранения возникшей проблемы обратитесь в компанию Tripp Lite.
Изб. напр. вент.	** ОШИБКА **	В случае сохранения возникшей проблемы обратитесь в компанию Tripp Lite.
Вентилятор не раб.	** ОШИБКА **	В случае сохранения возникшей проблемы обратитесь в компанию Tripp Lite.
Конт. сум. ст. NVR	** ОШИБКА **	В случае сохранения возникшей проблемы обратитесь в компанию Tripp Lite.
Распред. нагрузки	** ОШИБКА **	В случае сохранения возникшей проблемы обратитесь в компанию Tripp Lite.
Неуд. сост. бат.	** ОШИБКА **	В случае сохранения возникшей проблемы обратитесь в компанию Tripp Lite.
Двойн. оч. события	** ОШИБКА **	В случае сохранения возникшей проблемы обратитесь в компанию Tripp Lite.
Перепол. оч. ЭСППЗУ	** ОШИБКА **	В случае сохранения возникшей проблемы обратитесь в компанию Tripp Lite.
Ошибки/неисправности, связанные с нагрузкой/температурой:		
Изб. температура	** ОТКАЗ **	В этом режиме большинство цепей питания должно быть отключено, что обеспечит снижение температуры. Если после перехода в режим работы по обходной цепи при отказе температура будет превышать порог перегрева в течение 5 минут, то устройство перейдет в заблокированный режим холостого хода.
Перегрузка	** ОТКАЗ **	Если нагрузка сократится до уровня ниже 95% и будет устойчиво сохраняться в таком состоянии в течение 10 секунд, то устройство автоматически вернется из режима работы по обходной цепи при отказе в режим ECO/онлайн (при устранении перегрузки).

Выявление и устранение неисправностей и журнал событий

Сообщение на ЖК-дисплее	Текст заголовка на ЖК-дисплее	Комментарии
Ошибки/неисправности, связанные с батареей/зарядным устройством:		
Макс. напр. батареи	** ОТКАЗ **	В случае сохранения возникшей проблемы обратитесь в компанию Tripp Lite.
Мин. напр. батареи	** ОТКАЗ **	В случае сохранения возникшей проблемы обратитесь в компанию Tripp Lite.
Макс. ток батареи	** ОТКАЗ **	В случае сохранения возникшей проблемы обратитесь в компанию Tripp Lite.
Недост. напр. ЗарУст	** ОШИБКА **	Зарядное устройство работает, но зарядное напряжение слишком мало.
Изб. напр. ЗарУст	** ОШИБКА **	Зарядное устройство работает, но зарядное напряжение слишком высоко.
Перегр. ЗарУст: ток	** ОШИБКА **	Зарядное устройство работает, но зарядный ток слишком высок.
Зарядное устройство выдает недостаточный ток	** ОШИБКА **	Зарядное устройство работает, но зарядный ток слишком мал.
Апп. ош. ЗарУст	** ОШИБКА **	В случае сохранения возникшей проблемы обратитесь в компанию Tripp Lite.
Без батареи	** ОШИБКА **	При отсутствии батареи возможны только переключения между режимами ECO и онлайн.
Изб. напр. бат.	** ОШИБКА **	В случае сохранения возникшей проблемы обратитесь в компанию Tripp Lite.
Заменить батарею	** ОШИБКА **	
Низкое напр. батареи	** ПРЕДУПРЕЖДЕНИЕ **	
Откл. при низ. % бат.	** ПРЕДУПРЕЖДЕНИЕ **	
Откл. ПитБат со вр.	** ПРЕДУПРЕЖДЕНИЕ **	
Другие предупреждения и события:		
Количество замененных батарейных блоков	** ПРЕДУПРЕЖДЕНИЕ **	Если данное изменение не предполагалось, проверьте подключение кабелей передачи данных от батарей smart.
Авар. откл. питания	** ПРЕДУПРЕЖДЕНИЕ **	Проверьте статус и настройки выключателя EPO.
Отсоединен байпасный МРП	** ПРЕДУПРЕЖДЕНИЕ **	
Откл. для экон. эн.	** ПРЕДУПРЕЖДЕНИЕ **	
Пред.:ист. ср. бат. NonSmart	** ПРЕДУПРЕЖДЕНИЕ **	Может потребоваться замена внешней батареи Non-Smart.
Пред.:ист. ср. внутр. бат.	** ПРЕДУПРЕЖДЕНИЕ **	Необходима замена внутренней батареи.
Пред.:ист. ср. внеш. бат.	** ПРЕДУПРЕЖДЕНИЕ **	Может потребоваться замена внешней батареи Smart { серийный номер }.

Замена внутренних батарей

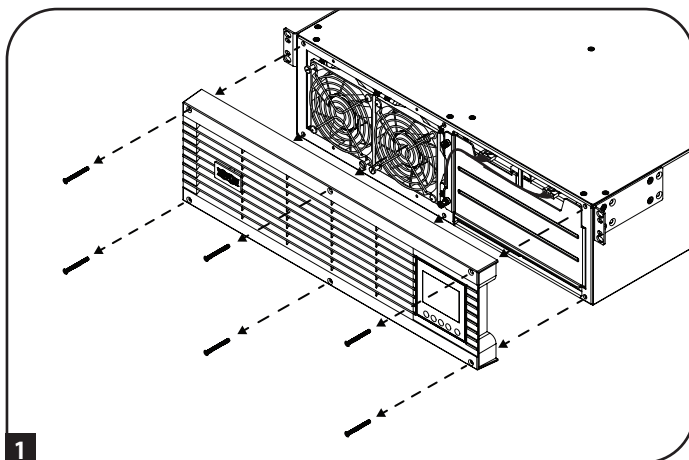


Дверца батарейного отсека: в обычных условиях эксплуатации оригинальная батарея ИБП прослужит несколько лет. Однако имеется возможность "горячей" замены батарей. Замена батарей должна производиться только квалифицированным сервисным персоналом. См. пункт "Предупреждения относительно батарей" в разделе **Обеспечение безопасности**. Информацию о сменной батарее вы можете найти на странице tripplite.com/support/battery/index.cfm. Для нахождения подходящей сменной батареи для своего ИБП см. представленную ниже таблицу:

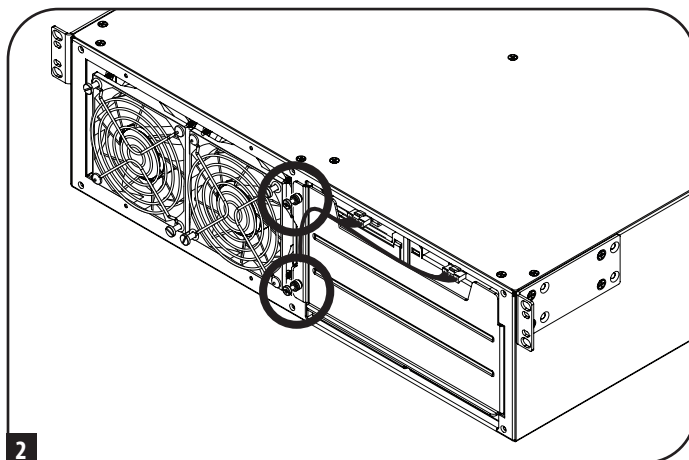
Модель ИБП	Запасной блок батарей
SU5KRT3UHV	RBC58-3US
SU5KRT3UX	RBC58-3US
SU5KRT3UG	RBC58-3US
SU5KRT3UHW	RBC58-3US
SU6KRT3UHV	RBC58-3US
SU6KRT3UX	RBC58-3US
SU6KRT3UG	RBC58-3US
SU6KRT3UHW	RBC58-3US

Порядок извлечения и установки батарей представлен на следующих схемах.

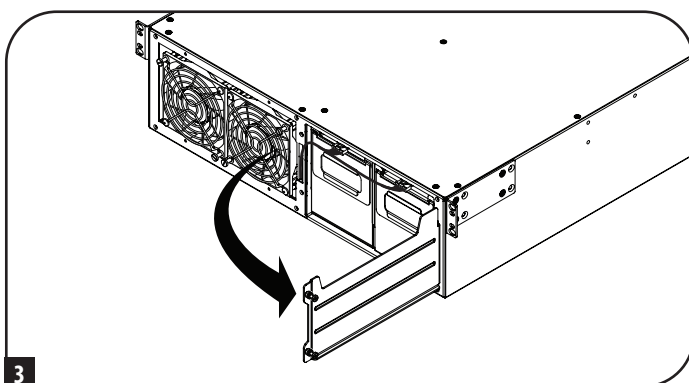
1 Выверните шесть передних винтов из лицевой панели ИБП и снимите ее. Повесьте панель на имеющийся для этого крючок.



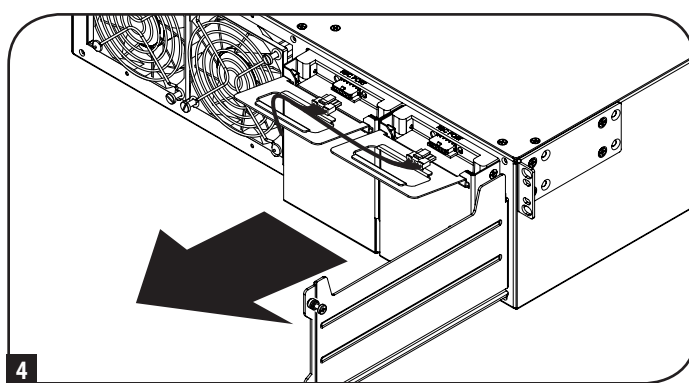
2 Ослабьте два невыпадающих винта, обеспечивающих крепление дверцы батарейных отсеков.



3 Откройте дверцу батарейных отсеков.

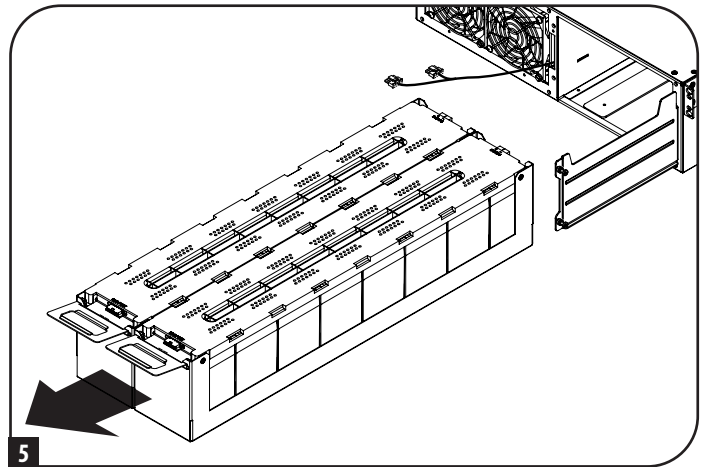


4 Вытяните старые батарейные отсеки за ручки, прикрепленные к каждому отсеку, и отсоедините коммуникационные кабели.



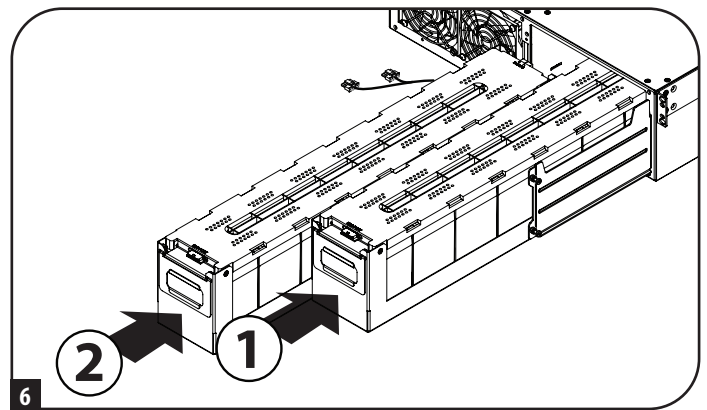
Замена внутренних батарей

- 5** После отсоединения коммуникационных кабелей выньте старые отсеки батарейных блоков из ИБП.

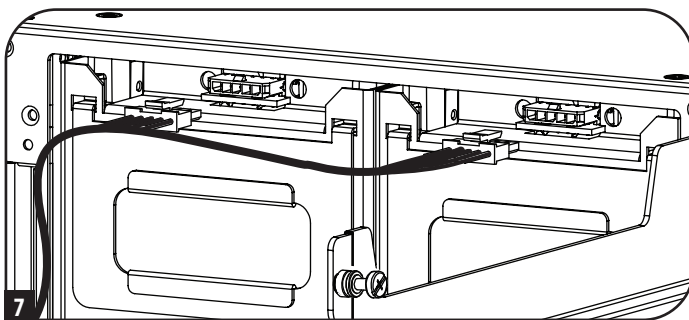


- 6** При установке новых сменных батарей соединительные клеммы питания постоянного тока красного и черного цветов должны быть обращены к тыльной стороне ИБП, а коммуникационный порт — к лицевой стороне ИБП. Вставляйте сменные батарейные отсеки, начиная с правого, таким образом, чтобы их корпуса немного выдавались за пределы корпуса ИБП. Повторите те же действия для сменного батарейного отсека с левой стороны.

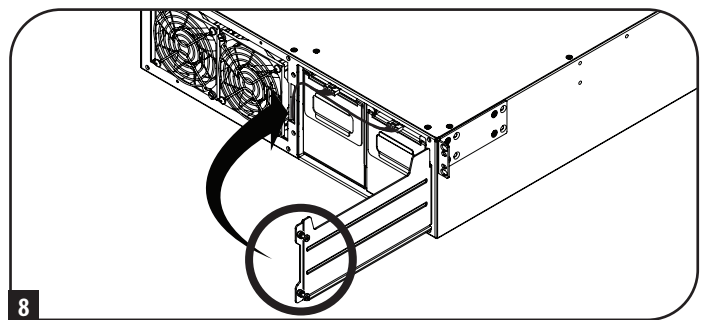
Примечание. Для облегчения доступа к клеммам подсоединяйте разъемы коммуникационных кабелей к батарейным блокам до того, как они будут полностью вставлены в корпус ИБП.



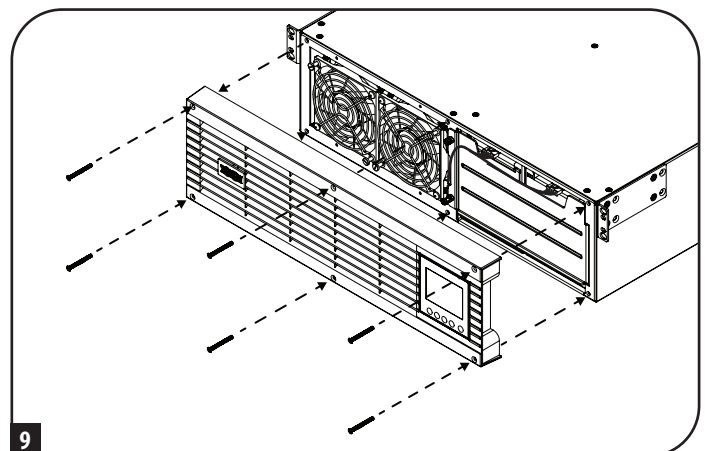
- 7** Подсоедините коммуникационные кабели батарей обратно к батарейным отсекам и вдвиньте их в корпус ИБП до упора.



- 8** Закройте дверцу батарейных отсеков и закрепите ее, затянув невыпадающие винты.



- 9** Прикрепите лицевую панель обратно к ИБП и закрепите ее с помощью винтов, вывернутых на шаге **1**.



Замена вентиляторов

В нормальных условиях оригинальная вентиляционная установка прослужит несколько лет. Блоки вентиляторов предусматривают возможность замены. Сменные изделия можно найти на странице tripplite.com/support.

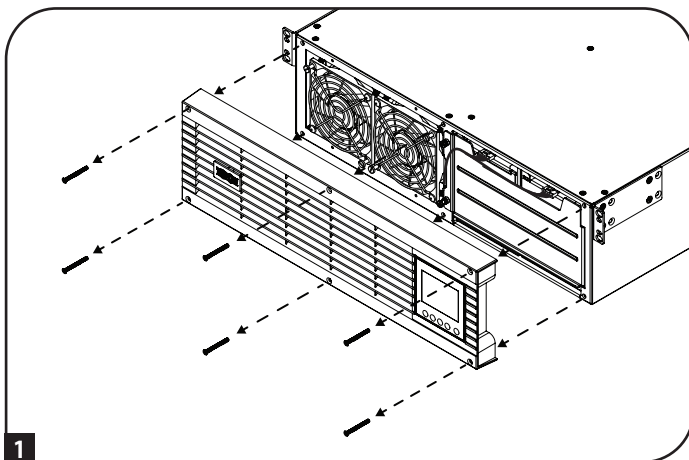


ВНИМАНИЕ! Электрическая цепь питания вентиляторов не изолирована от сети переменного тока. Перед заменой вентиляторов выключите питание ИБП. Замена вентиляторов должна производиться только квалифицированным сервисным персоналом электротехнического профиля.

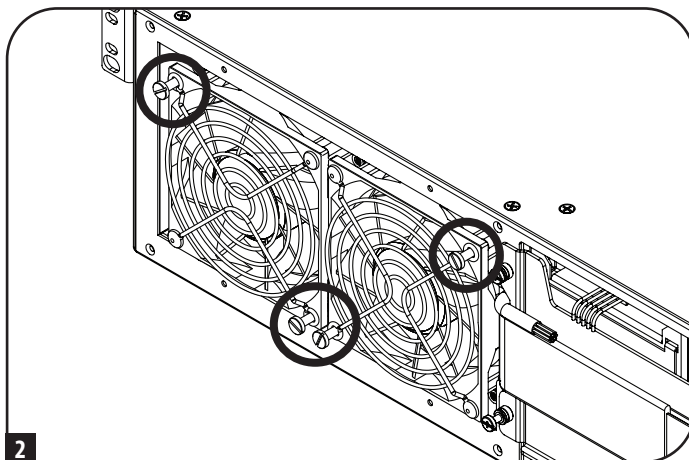


Перед извлечением вентиляторных блоков следует запомнить ориентацию вентиляторов. Для надлежащей установки и подключения вентиляторов их первоначальная ориентация должна быть сохранена.

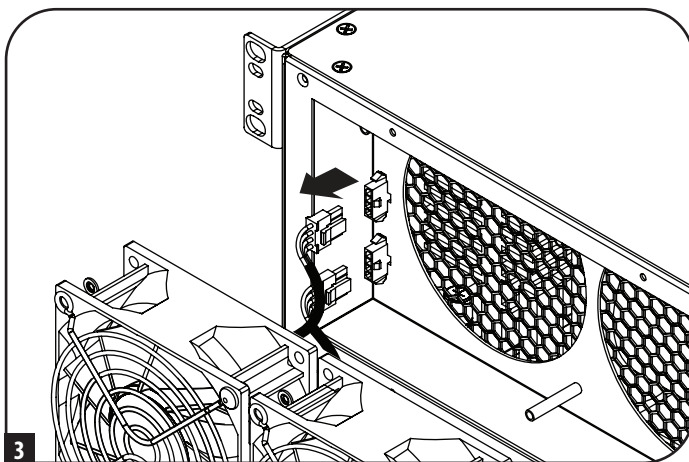
- 1** Выверните шесть передних винтов из лицевой панели ИБП и снимите ее. Повесьте панель на имеющийся для этого крючок.



- 2** Для замены вентилятора, расположенного с левой или правой стороны, выверните отверткой с плоским жалом левый верхний и правый нижний винты, обеспечивающие крепление каждого вентилятора.

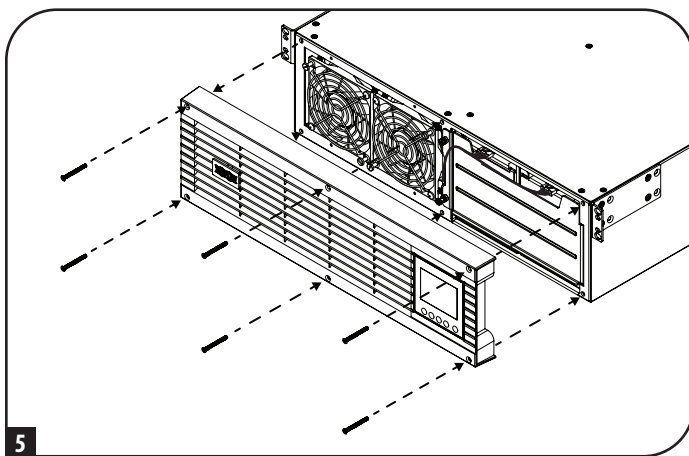


- 3** Отсоедините кабель(-и) вентилятора(-ов), расположенный(-е) слева от него (них).



- 4** Установите сменный(-е) вентилятор(-ы). Подсоедините кабель(-и) в том же порядке, что и на шаге 3, и прикрепите вентилятор(-ы) к ИБП с сохранением их расположения и ориентации (см. шаг 2).

- 5** Прикрепите лицевую панель обратно к ИБП и закрепите ее с помощью винтов, вывернутых на шаге 1.



Хранение и техническое обслуживание

Хранение

Сначала ОТКЛЮЧИТЕ свой ИБП: нажмите на кнопку "OFF" ("ВЫКЛ") рядом с розетками ИБП, после чего отсоедините шнур питания от настенной розетки. Затем отсоедините все оборудование во избежание саморазряда батарей. Если вы планируете хранить ИБП в течение длительного периода времени, то следует полностью перезарядить батареи ИБП один раз в три месяца: для этого подключите ИБП к розетке переменного тока и дайте ему зарядиться в течение 4-6 часов. Хранение ИБП с разряженными батареями в течение длительного срока может привести к невозобновляемой потере их емкости.

Техническое обслуживание

На приобретенное вами изделие марки Tripp Lite распространяется действие гарантии, условия которой изложены в настоящем руководстве. Кроме того, компания Tripp Lite предлагает ряд Программ расширенной гарантии и обслуживания на объекте. Более подробная информация о техническом обслуживании изложена на странице tripplite.com/support. Перед возвратом своего изделия в целях технического обслуживания просьба выполнить следующие действия:

1. Внимательно изучите порядок монтажа и эксплуатации устройства, приведенный в настоящем руководстве, во избежание проблем, которые могут возникнуть в ходе работы из-за неправильного понимания приведенных в руководстве указаний.
2. Если проблему решить не удалось, не обращайтесь к продавцу и не возвращайте изделие ему. В этом случае посетите интернет-страницу по адресу tripplite.com/support.
3. Если возникшая проблема требует проведения ремонта или технического обслуживания, зайдите на страницу tripplite.com/support и нажмите на ссылку Product Returns (Возврат изделий). Здесь вы можете запросить номер Returned Material Authorization (RMA — разрешение на возврат материалов), который необходим для проведения технического обслуживания. Для заполнения этой простой онлайн-формы потребуется указать номер модели и серийный номер вашего изделия, а также общие сведения о покупателе. Номер RMA вместе с указаниями по транспортировке будет направлен вам по электронной почте. На какие бы то ни было убытки (прямые, косвенные, последующие или вызванные особыми обстоятельствами), связанные с транспортировкой изделия в адрес компании Tripp Lite или ее уполномоченного сервисного центра, действие гарантии не распространяется. Стоимость транспортировки изделий в адрес компании Tripp Lite или ее уполномоченного сервисного центра должна быть оплачена авансом. Номер RMA должен быть указан на внешней стороне упаковки. Если возврат изделия производится в период действия гарантии, то необходимо приложить копию товарного чека продавца. Возврат изделия для проведения ремонта или технического обслуживания должен производиться застрахованным перевозчиком по адресу, указанному в ответе на запрос номера RMA.

Гарантийные обязательства

Ограниченная гарантия сроком 2 года

Компания TRIPP LITE гарантирует отсутствие дефектов материалов и изготовления своих изделий, включая батареи, в течение двух лет с момента их первоначальной покупки. По истечении 90 дней с момента покупки обязательства компании TRIPP LITE по настоящей гарантии ограничиваются заменой деталей в таких дефектных изделиях. Для получения услуг по данной гарантии необходимо обратиться по телефону в компанию TRIPP LITE или ее авторизованный сервисный центр. Изделия должны быть возвращены в компанию TRIPP LITE или авторизованный сервисный центр TRIPP LITE с предоплатой транспортных расходов и сопровождаться кратким описанием возникшей проблемы и документом, подтверждающим дату и место его приобретения. Действие настоящей гарантии не распространяется на оборудование, поврежденное в результате аварии, небрежного обращения или неправильного использования, а также видоизмененное каким бы то ни было образом. Действие настоящей гарантии распространяется только на первоначального покупателя, который должен надлежащим образом зарегистрировать свое изделие в течение 10 дней с момента приобретения.

Гарантии на все сетевые фильтры TRIPP LITE утрачивают силу в случае их подключения к выходу любого ИБП. Гарантии на все ИБП TRIPP LITE утрачивают силу в случае подключения какого-либо сетевого фильтра к его выходным розеткам.

ЗА ИСКЛЮЧЕНИЕМ ПРЕДУСМОТРЕННЫХ ЗДЕСЬ СЛУЧАЕВ КОМПАНИЯ TRIPP LITE НЕ ПРЕДОСТАВЛЯЕТ КАКИХ-ЛИБО ЯВНЫХ ИЛИ ПОДРАЗУМЕВАЕМЫХ ГАРАНТИЙ, ВКЛЮЧАЯ ГАРАНТИИ КОММЕРЧЕСКОЙ ПРИГОДНОСТИ И ПРИГОДНОСТИ ДЛЯ КАКОЙ-ЛИБО КОНКРЕТНОЙ ЦЕЛИ. В некоторых штатах/государствах ограничение или исключение подразумеваемых гарантий не допускается; следовательно, вышеуказанное(-ые) ограничение(-я) или исключение(-я) могут не распространяться на покупателя.

ЗА ИСКЛЮЧЕНИЕМ ПРЕДУСМОТРЕННЫХ ВЫШЕ СЛУЧАЕВ КОМПАНИЯ TRIPP LITE НИ ПРИ КАКИХ ОБСТОЯТЕЛЬСТВАХ НЕ НЕСЕТ ОТВЕТСТВЕННОСТИ ЗА ПРЯМЫЕ, КОСВЕННЫЕ, СЛУЧАЙНЫЕ ИЛИ ПОБОЧНЫЕ УБЫТКИ ЛИБО УБЫТКИ, ОПРЕДЕЛЯЕМЫЕ ОСОБЫМИ ОБСТОЯТЕЛЬСТВАМИ, ВОЗНИКАЮЩИЕ В СВЯЗИ С ИСПОЛЬЗОВАНИЕМ ДАННОГО ИЗДЕЛИЯ, ДАЖЕ В СЛУЧАЕ ЕЕ ИНФОРМИРОВАНИЯ О ВОЗМОЖНОСТИ НАСТУПЛЕНИЯ ТАКИХ УБЫТКОВ. В частности, компания TRIPP LITE не несет ответственности за какие-либо издержки, такие как упущенные прибыли или доходы, потеря оборудования, потеря возможности использования оборудования, потеря программного обеспечения, потеря данных, расходы на заменители, урегулирование претензий третьих лиц и пр.

Идентификационные номера соответствия нормативным требованиям:

В целях сертификации на соответствие нормативным требованиям и опознавания приобретенному вами изделию марки Tripp Lite присвоен уникальный серийный номер. Серийный номер располагается на заводской табличке вместе со всеми необходимыми отметками о приемке и прочей информацией. При запросе информации о соответствии данного изделия нормативным требованиям обязательно указывайте его серийный номер. Номер серии не следует путать с торговым наименованием изделия или номером его модели.

Гарантийные обязательства

Технические требования FCC для моделей с допуском FCC класса A:

Данное устройство соответствует требованиям части 15 Правил FCC. Его эксплуатация допускается при соблюдении следующих двух условий: (1) данное устройство не может создавать вредных помех, и (2) данное устройство должно быть рассчитано на любые помехи, включая те, которые могут оказывать неблагоприятное влияние на его работу.

Примечание. Данное оборудование прошло испытания и признано соответствующим ограничениям для цифровых устройств класса A согласно части 15 Правил FCC. Эти ограничения рассчитаны на обеспечение разумного уровня защиты от вредных помех при эксплуатации данного оборудования в промышленных условиях. Данное оборудование вырабатывает, использует и может излучать радиочастотную энергию, а также – в случае несоблюдения требований руководства пользователя при установке и эксплуатации – может создавать вредные помехи средствами радиосвязи. Эксплуатация данного оборудования в жилом помещении с большой вероятностью может создавать вредные помехи, в случае чего пользователю потребуются устранить такие помехи за свой собственный счет. Пользователь обязан эксплуатировать данное оборудование с экранированными кабелями и разъемами. Любые изменения или модификации в отношении данного оборудования, не одобренные в явной форме компанией Tripp Lite, могут привести к лишению пользователя права на эксплуатацию данного оборудования.

Требования ЭМС для моделей с сертификатами ЭМС категории C2 (для отдельных моделей):

ВНИМАНИЕ! Данный ИБП относится к категории C2. При использовании в жилом помещении данное изделие может вызывать радиопомехи, в случае чего пользователю может быть необходимо предпринять дополнительные меры.

Информация по выполнению требований Директивы WEEE для покупателей и переработчиков продукции компании Tripp Lite (являющихся резидентами Европейского союза)



Согласно положениям Директивы об утилизации отходов электрического и электронного оборудования (WEEE) и исполнительных распоряжений по ее применению, при покупке потребителями нового электрического или электронного оборудования производства компании Tripp Lite они получают право на:

- Продажу старого оборудования по принципу "один за один" и/или на эквивалентной основе (в зависимости от конкретной страны)
- Отправку нового оборудования на переработку после окончательной выработки его ресурса

Уведомление о соответствии требованиям FCC, часть 68 (только для США)

Если используемая защита модема/факса препятствует нормальной работе телефонной сети, то телефонная компания может временно приостановить ваше обслуживание. При наличии возможности вы будете уведомлены об этом заранее. В случае невозможности предварительного уведомления вы будете уведомлены при первой возможности. Вы будете поставлены в известность о своем праве на подачу жалобы в FCC. Ваша телефонная компания может вносить изменения в отношении своих технических средств, оборудования, операций и процедур, которые могут препятствовать надлежащему функционированию вашего оборудования. В этом случае вам будет направлено предварительное уведомление с целью предоставить вам возможность сохранения бесперебойного обслуживания. В случае возникновения каких-либо проблем с защитой модема/факса, обеспечиваемой данным оборудованием, ознакомьтесь с информацией о возможности ремонта / гарантийных обязательствах на странице tripplite.com/support. Телефонная компания может обратиться к вам с просьбой об отключении данного оборудования от сети до того момента, когда проблема будет устранена или вы убедитесь в отсутствии неисправностей оборудования. Защита модема/факса не может ремонтироваться клиентом. Данное оборудование не может использоваться для предоставления платных услуг телефонной компанией. Подключение к групповым абонентским линиям осуществляется по государственному тарифам. (За информацией обращайтесь в региональный государственный орган по коммунальному обслуживанию или организацию, регламентирующую деятельность соответствующих коммерческих служб).

Утилизация ИБП и батарей



Pb

Утилизируйте изделия Tripp Lite. В качестве батарей для изделий марки Tripp Lite используются герметичные свинцово-кислотные аккумуляторные батареи. Батареи пригодны для глубокой вторичной переработки. Требования по утилизации определяются местными нормами и правилами.

За информацией по утилизации обращайтесь в компанию Tripp Lite по телефону +1.773.869.1234.

Самая актуальная информация об утилизации батарей и прочих изделий Tripp Lite содержится на веб-сайте компании Tripp Lite.

Для получения этой информации перейдите по следующей ссылке: tripplite.com/en/support/recycling-program.cfm

Компания Tripp Lite постоянно совершенствует свою продукцию. В связи с этим возможно изменение технических характеристик без предварительного уведомления. Внешний вид реальных изделий может несколько отличаться от представленного на фотографиях и иллюстрациях.

TRIPP·LITE



95
лет
Продукция высшего
качества.

1111 W. 35th Street, Chicago, IL 60609 USA • tripplite.com/support