

ZYXEL

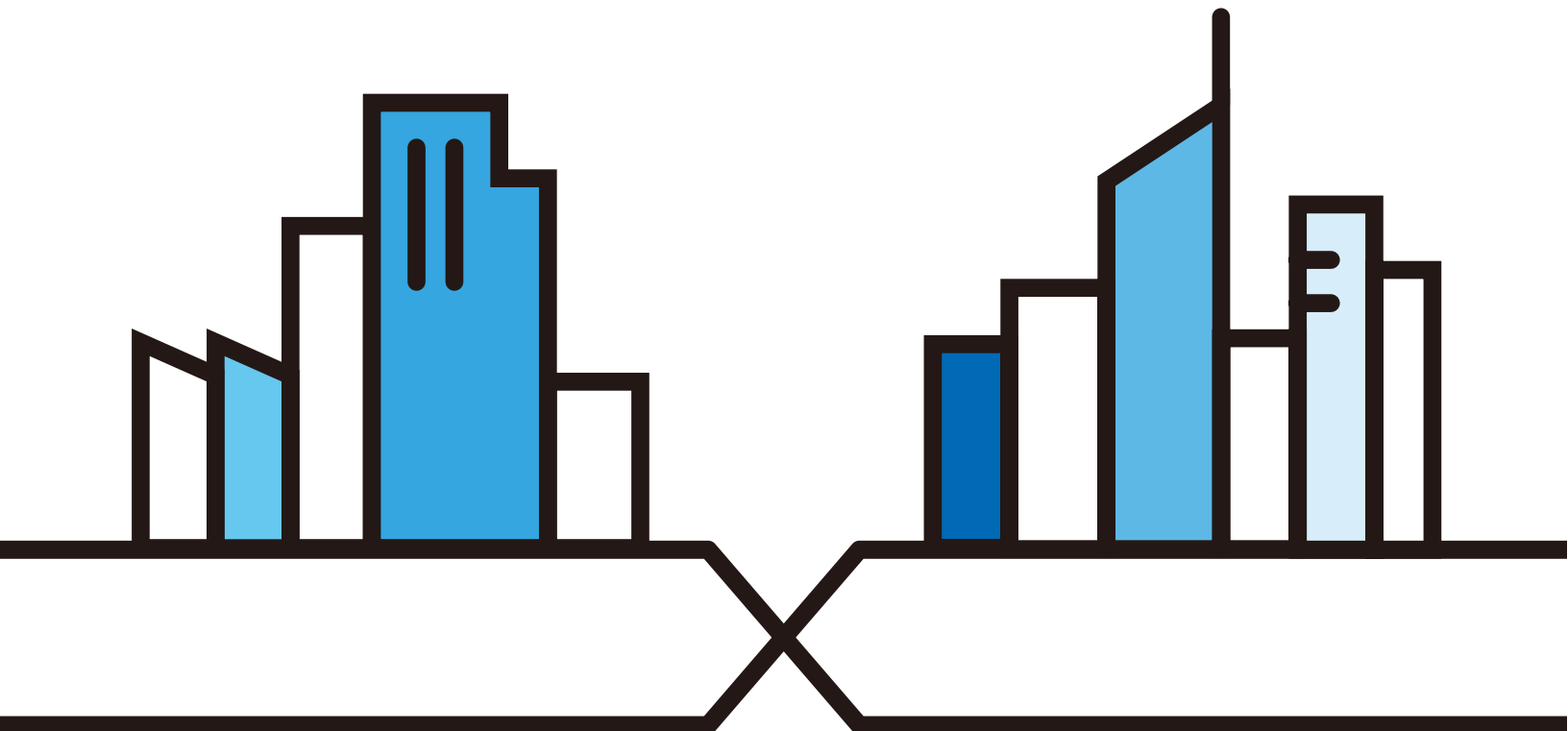
Your Networking Ally

User's Guide

GS1100 Series

Unmanaged Gigabit Ethernet Switch

Version 1.00 Edition 6, 08/2020



IMPORTANT!

READ CAREFULLY BEFORE USE.

KEEP THIS GUIDE FOR FUTURE REFERENCE.

Screenshots and graphics in this book may differ slightly from your product due to differences in your product firmware or your computer operating system. Every effort has been made to ensure that the information in this manual is accurate.

- More Information

Go to <https://businessforum.zyxel.com> for product discussions.

Go to support.zyxel.com to find other information on the Switch.



Document Conventions

Warnings and Notes

These are how warnings and notes are shown in this guide.

Warnings tell you about things that could harm you or your device.











Note: Notes tell you other important information (for example, other things you may need to configure or helpful tips) or recommendations.

Syntax Conventions

- All models may be referred to as the "Switch" in this guide.
- Product labels, screen names, field labels and field choices are all in **bold** font.

Icons Used in Figures

Figures in this user guide may use the following generic icons. The Switch icon is not an exact representation of your device.

Switch 	Generic Router 	Wireless Router / Access Point 
Generic Switch 	Smart TV 	Desktop 
Laptop 	IP Camera 	Printer 
Server 		

Contents Overview

User's Guide	7
Getting to Know Your Switch	8
Hardware Installation and Connection	12
Hardware Panels	19
Troubleshooting	28

Table of Contents

Part I: User's Guide	7
Chapter 1	
Getting to Know Your Switch	8
1.1 Introduction	8
1.2 Features	9
1.3 Example Applications	9
1.3.1 PoE Example Application	9
1.3.2 Backbone Example Application	10
1.3.3 Bridging or Fiber Uplink Example Application	10
Chapter 2	
Hardware Installation and Connection	12
2.1 Installation Scenarios	12
2.1.1 Before Using the Switch	12
2.2 Hardware Installation	12
2.3 Desktop Installation Procedure	13
2.4 Wall Mounting	14
2.4.1 Installation Requirements	14
2.5 Rack Mounting	16
2.5.1 Installation Requirements	16
2.5.2 Precautions	17
2.5.3 Attaching the Mounting Brackets to the Switch	17
2.5.4 Mounting the Switch on a Rack	17
Chapter 3	
Hardware Panels	19
3.1 Front Panel	19
3.1.1 RJ-45 Auto-negotiating Ports	20
3.1.2 IEEE 802.3az EEE	20
3.1.3 Gigabit Ethernet Ports	20
3.1.4 PoE (GS1100-10HP)	21
3.1.5 SFP Slots (GS1100-24 and GS1100-10HP)	21
3.2 Rear Panel	23
3.2.1 Grounding (GS1100-10HP)	24
3.2.2 Power Connection	26
3.2.3 LEDs	26

Chapter 4	
Troubleshooting	28
4.1 Power, Hardware Connections, and LEDs	28
4.2 Improper Network Cabling and Topology	29
Appendix A Customer Support	31
Appendix B Legal Information	37
Index	47

PART I

User's Guide

CHAPTER 1

Getting to Know Your Switch

1.1 Introduction

The GS1100 Series consists of the following models:

- GS1100-10HP
- GS1100-16
- GS1100-24E
- GS1100-24

The Switch is a 10/100/1000 Mbps multi-port switch that can be used to build high-performance switched workgroup networks. The Switch is a store-and-forward device that offers low latency for high-speed networking. The Switch is fanless and designed for workgroups, departments or backbone computing environments for small businesses.

All models are referred to as the "Switch" in this guide.

The following table describes the hardware features of the Switch by model.

Table 1 GS1100 Series Comparison Table

PORT/SWITCH DETAILS	GS1100-10HP	GS1100-16	GS1100-24E	GS1100-24
10/100/1000Base-T Ethernet ports	8	16	24	24
100/1000Base-X SFP slots	2			2
802.3at PoE ports	8			
One physical IEEE 802.3az ON/OFF button	1			
One power ON/OFF switch	1			
Desktop Device	Yes	Yes	Yes	
Wall-mountable	Yes	Yes	Yes	
Rack-mountable		Yes	Yes	Yes

The GS1100-10HP has eight GbE PoE ports that can supply power to the connected PoE powered devices.

The GS1100-24 and GS1100-10HP have two SFP slots for uplink connection. Use SFP transceivers in these slots for 100Mbps or 1Gbps connections to backbone Ethernet switches.

The Switch has a built-in algorithm that automatically assigns priority to received packets. It can operate in low power idle mode in compliance with IEEE 802.3az Energy Efficient Ethernet (EEE).

1.2 Features

The following are the essential features of the Switch.

- Conforms to IEEE 802.3, 802.3u, 802.3ab and 802.3x standards.
- Auto-negotiating 10/100/1000 Mbps Gigabit Ethernet (GbE) RJ-45 ports.
- Auto-sensing crossover for all 10/100/1000 Mbps Gigabit Ethernet (GbE) RJ-45 ports.
- Supports N-Way protocol for speed (10/100/1000 Mbps) and duplex mode (Half/Full) auto-detection.
- Supports store-and-forward switching.
- Supports automatic address learning.
- Supports IEEE 802.3az EEE
- Supports IEEE 802.3af and IEEE 802.3at PoE standards (GS1100-10HP)
- Full wire speed forwarding rate.
- Supports 802.1p CoS.
- Embedded 8K MAC address table providing 8000 MAC addresses entries.

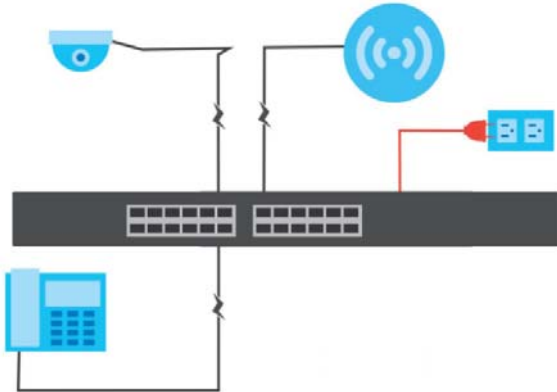
1.3 Example Applications

This section shows a few examples of using the Switch in various network environments. Note that the Switch in the figure is just an example Switch and not your actual Switch.

1.3.1 PoE Example Application

The following example figure shows a Switch supplying PoE (Power over Ethernet) to Powered Devices (PDs) such as an IP camera, a wireless router, an IP telephone and a general outdoor router that are not within reach of a power outlet.

Figure 1 Powered Device Example



The PoE function is available for the GS1100-10HP.

Ports 1 to 8 on the GS1100-10HP support both the IEEE 802.3af Power over Ethernet and IEEE 802.3at High Power over Ethernet standards. The ports supply power of up to 30W per Ethernet port and up to the total PoE power budget per Switch.

The Switch is Power Sourcing Equipment (PSE) because it provides a source of power via its Ethernet ports. A powered device (PD) is a device such as an access point or an IP phone, that supports PoE (Power over Ethernet) so that it can receive power from another device through a 10/100/1000 Mbps Ethernet port.

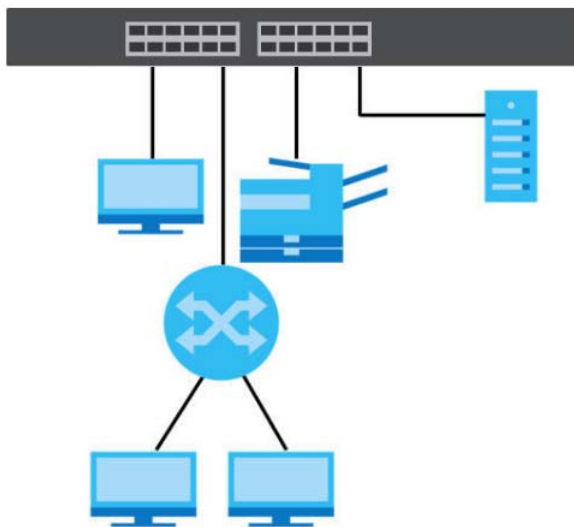
In the figure above, the IP camera and IP phone get their power directly from the Switch. Aside from minimizing the need for cables and wires, PoE removes the hassle of trying to find a nearby electric outlet to power up devices.

1.3.2 Backbone Example Application

The Switch is an ideal solution for small networks where rapid growth can be expected in the near future. The Switch can be used standalone for a group of heavy traffic users. You can connect computers and servers directly to the Switch's port or connect other switches to the Switch.

In this example, all computers can share high-speed applications on the server. To expand the network, simply add more networking devices such as switches, routers, computers, print servers, and so on.

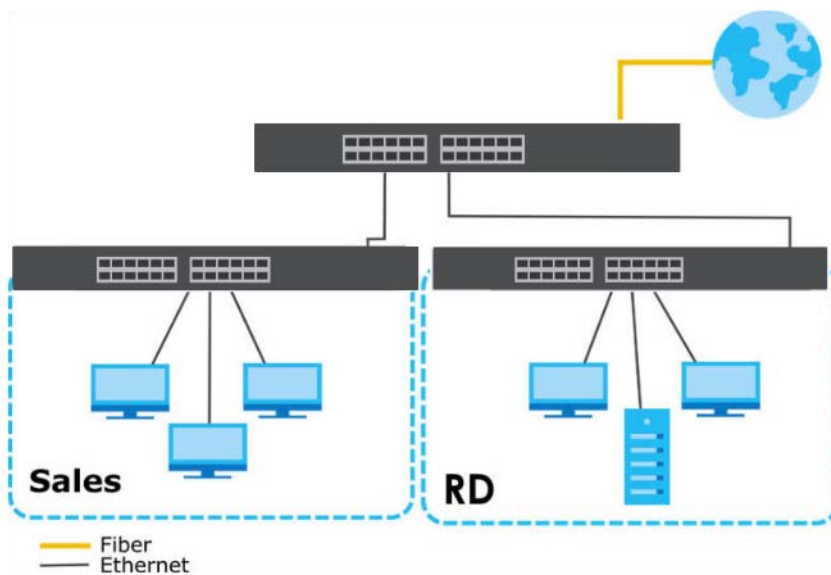
Figure 2 Backbone Application



1.3.3 Bridging or Fiber Uplink Example Application

In this example, the Switch connects different company departments (**RD** and **Sales**) to the corporate backbone. It can alleviate bandwidth contention and eliminate server and network bottlenecks. All users that need high bandwidth can connect to high-speed department servers via the Switch. You can provide a super-fast uplink connection by using a Gigabit Ethernet or SFP port on the Switch.

Figure 3 Bridging Example Application



CHAPTER 2

Hardware Installation and Connection

2.1 Installation Scenarios

This chapter shows you how to install and connect the Switch.

The Switch can be:

- Placed on a desktop.
- Wall-mounted on a wall.
- Rack-mounted on a standard EIA rack.

See [Table 1 on page 8](#) for the comparison table of the hardware installation methods for each model.

2.1.1 Before Using the Switch

Please observe the following before using the Switch:

- It is recommended to ask an authorized technician to attach the Switch on a desk or to the rack or wall. Use the proper screws to prevent damage to the Switch. See the **Installation Requirements** sections in this chapter to know the types of screws and screw drivers for each mounting method.
- Make sure there is at least 2 cm of clearance on the top and bottom of the Switch, and at least 5 cm of clearance on all four sides of the Switch. This allows air circulation for cooling.
- Do NOT block the ventilation holes nor store cables or power cords on the Switch. Allow clearance for the ventilation holes to prevent your Switch from overheating. This is especially crucial when your Switch does not have fans. Overheating could affect the performance of your Switch, or even damage it.
- The surface of the Switch could be hot when it is functioning. Do NOT put your hands on it. You may get burned. This could happen especially when you are using a fanless Switch.
- The Switches with fans are not suitable for use in locations where children are likely to be present.

To start using the Switch, simply connect the power cables and turn it on.

2.2 Hardware Installation

See the following table for a comparison of the hardware installation methods of each GS1100 model:

Table 2 GS1100 Series Installation Comparison Table

MODEL FEATURE	GS1100-10HP	GS1100-16	GS1100-24E	GS1100-24
Desktop Device	✓	✓	✓	
Wall-mountable	✓	✓	✓	
Rack-mountable		✓	✓	✓

For GS1100-10HP, GS1100-16 and GS1100-24E, you can place the Switch directly on top of your desk or have it wall-mounted. For GS1100-16, GS1100-24E and GS1100-24, the size is suitable for rack-mounting and you can refer to [Section 2.5 on page 16](#) for instruction. Take note of the following:

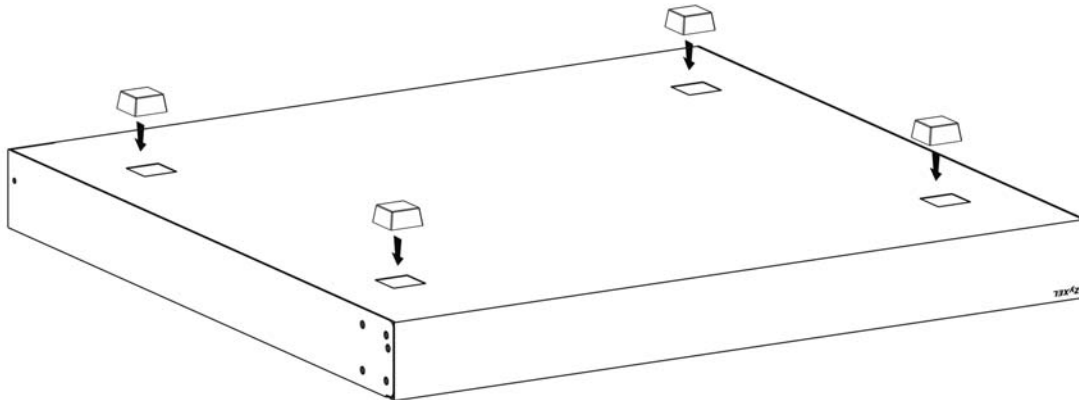
- The Switch should be placed on a desk that has a level surface and that is able to support the weight of the Switch.

To start using it, simply connect the power cables and turn on the Switch.

2.3 Desktop Installation Procedure

- 1 Make sure the Switch is clean and dry.
- 2 Remove the adhesive backing from the rubber feet.
- 3 Attach the rubber feet to each corner on the bottom of the Switch. These rubber feet help protect the Switch from shock or vibration and ensure space between devices when stacking.

Figure 4 Attaching Rubber Feet



- 4 Set the Switch on a smooth, level surface strong enough to support the weight of the Switch and the connected cables. Make sure there is a power outlet nearby.

Cautions:

- Avoid stacking fanless Switches to prevent overheating.
- Ensure enough clearance around the Switch to allow air circulation for cooling.
- Do NOT remove the rubber feet as it provides space for air circulation.

2.4 Wall Mounting

The Switch can be mounted on a wall (see [Table 1 on page 8](#)). You may need screw anchors if mounting on a concrete or brick wall.

Do the following to attach your Switch to a wall.

See [Table 3 on page 14](#) for how far apart to place the screws.

Table 3 Distance between the centers of the holes for wall mounting

MODEL	DISTANCE
GS1100-10HP	176mm
GS1100-16	148 mm
GS1100-24E	120 mm

2.4.1 Installation Requirements

- Distance above the floor: At least 1.8 m (5.9 feet)
- Two M4 screws and a #2 Philips screwdriver
- Two screw anchors (optional)

Figure 5 GS1100-10HP screw specs

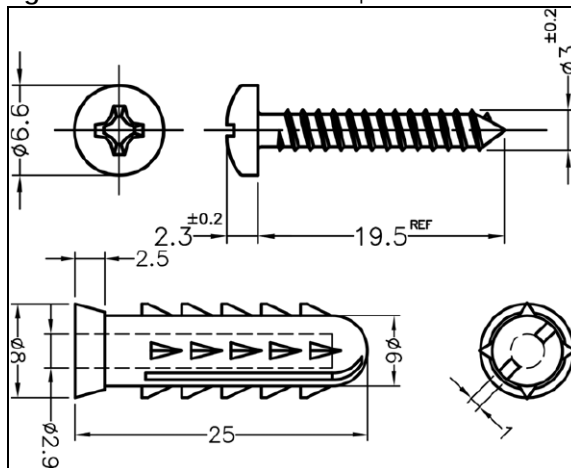
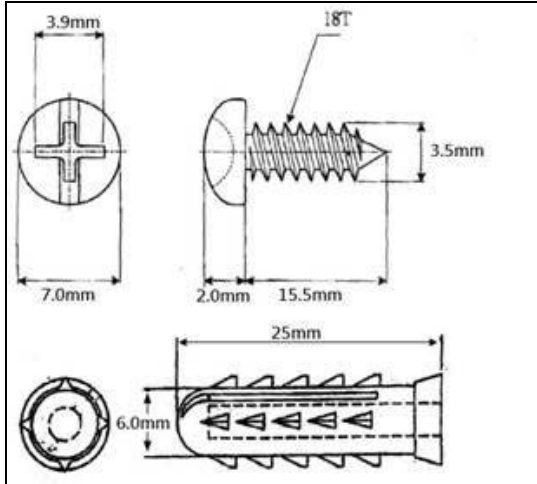


Figure 6 GS1100-16/GS1100-24E screw specs



- 1 Select a position free of obstructions on a wall strong enough to hold the weight of the Switch.
- 2 Mark two holes on the wall at the appropriate distance apart for the screws.

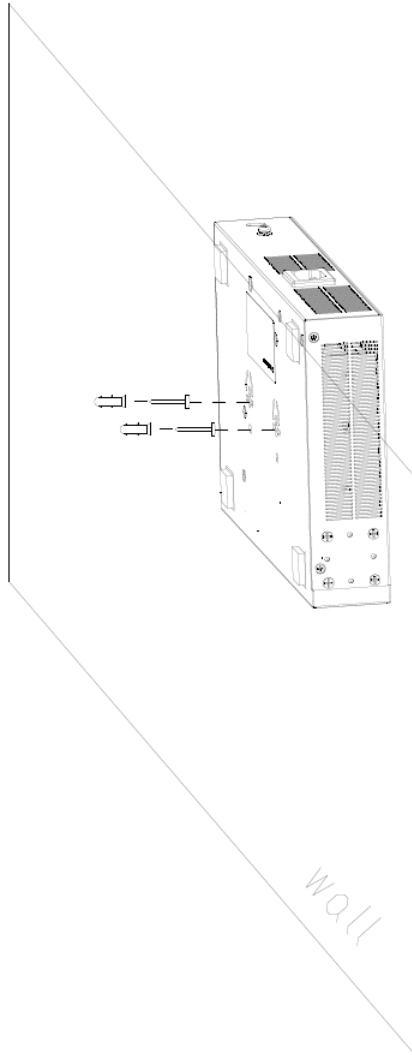
WARNING! Be careful to avoid damaging pipes or cables located inside the wall when drilling holes for the screws.

- 3 If using screw anchors, drill two holes for the screw anchors into the wall. Push the anchors into the full depth of the holes, then insert the screws into the anchors. Do NOT insert the screws all the way in – leave a small gap of about 0.5 cm.

If not using screw anchors, use a screwdriver to insert the screws into the wall. Do NOT insert the screws all the way in – leave a gap of about 0.5 cm.

- 4 Make sure the screws are fastened well enough to hold the weight of the Switch with the connection cables.
- 5 Align the holes on the back of the Switch with the screws on the wall. Hang the Switch on the screws.

Note: Make sure there is enough clearance between the wall and the Switch to allow ventilation.



WARNING! The Switch should be wall-mounted horizontally, and make sure the front panel is facing down. The Switch's side panels with ventilation slots should not be facing up or down as this position is less safe.

2.5 Rack Mounting

The Switch can be mounted on an EIA standard size, 19-inch rack or in a wiring closet with other equipment (see [Table 1 on page 8](#)). Follow the steps below to mount your Switch on a standard EIA rack using a rack-mounting kit.

Note: Make sure there is enough clearance between each equipment on the rack for air circulation.

2.5.1 Installation Requirements

- Two mounting brackets.

- Eight M3 flat head screws and a #2 Philips screwdriver.
- Four M5 flat head screws and a #2 Philips screwdriver.

2.5.2 Precautions

- Make sure the rack will safely support the combined weight of all the equipment it contains. The maximum weight a bracket can hold is 21.5 kg.
- Make sure the position of the Switch does not make the rack unstable or top-heavy. Take all necessary precautions to anchor the rack securely before installing the unit.

2.5.3 Attaching the Mounting Brackets to the Switch

- 1 Position a mounting bracket on one side of the Switch, lining up the four screw holes on the bracket with the screw holes on the side of the Switch.

Figure 7 Attaching the Mounting Brackets (GS1100-16 and GS1100-24E)

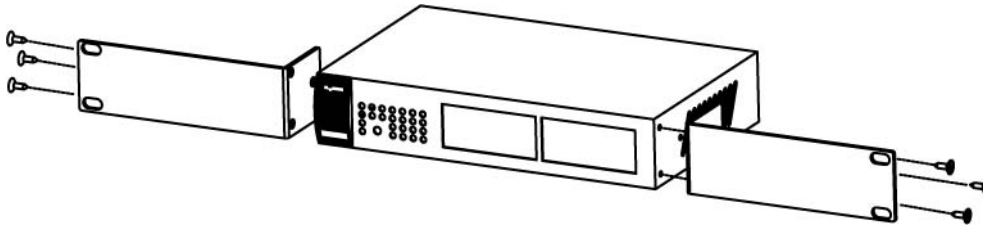
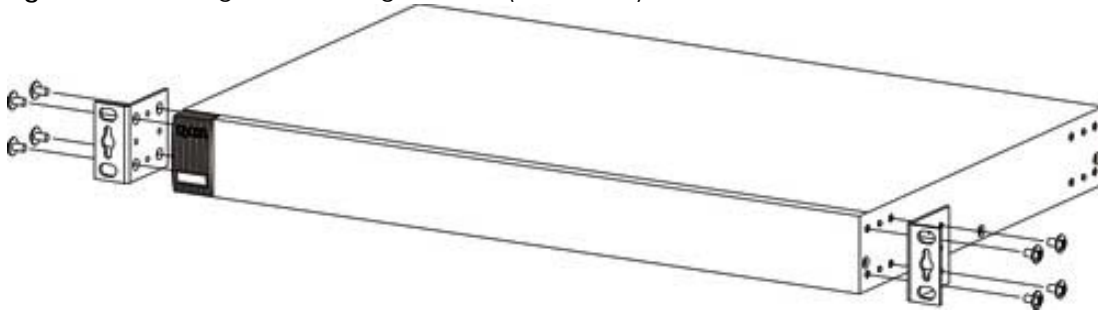


Figure 8 Attaching the Mounting Brackets (GS1100-24)



- 2 Using a #2 Philips screwdriver, install the M3 flat head screws through the mounting bracket holes into the Switch.
- 3 Repeat steps 1 and 2 to install the second mounting bracket on the other side of the Switch.
- 4 You may now mount the Switch on a rack. Proceed to the next section.

2.5.4 Mounting the Switch on a Rack

- 1 Position a mounting bracket (that is already attached to the Switch) on one side of the rack, lining up the two screw holes on the bracket with the screw holes on the side of the rack.

Figure 9 Mounting the Switch on a Rack (GS1100-16 and GS1100-24E)

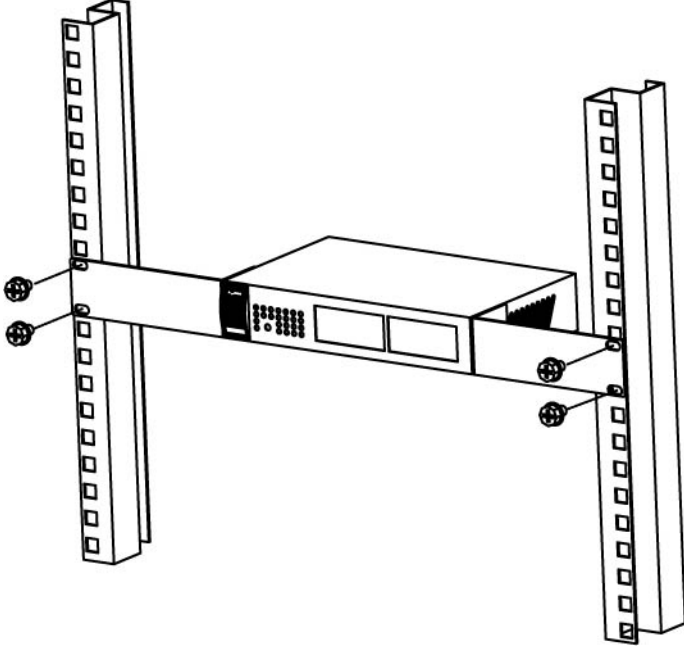
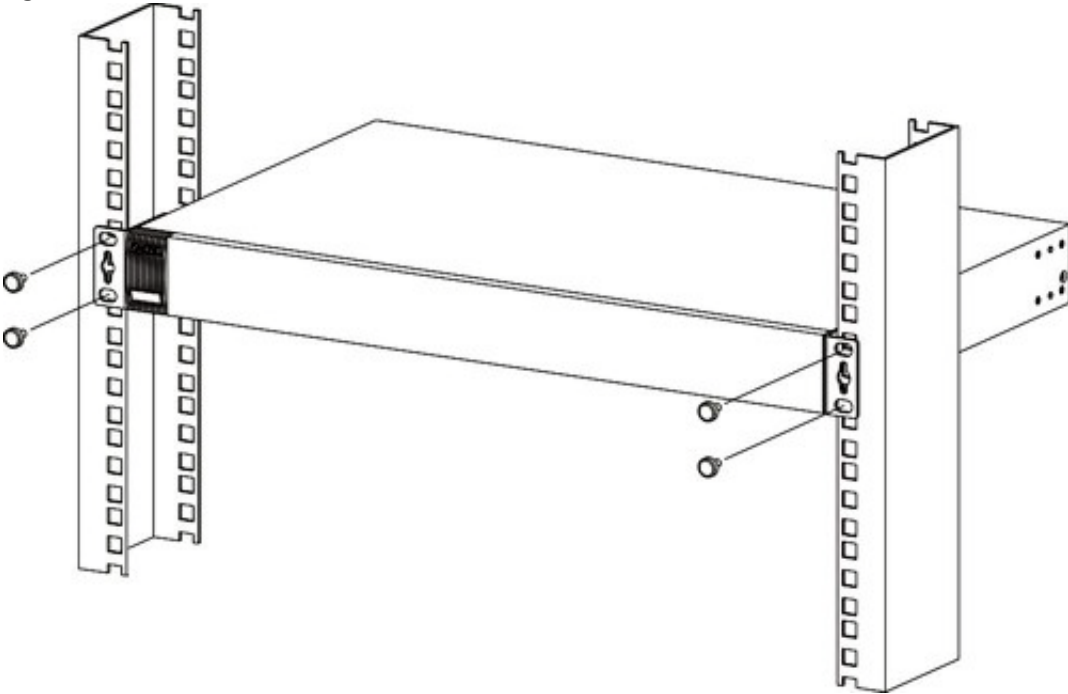


Figure 10 Mounting the Switch on a Rack (GS1100-24)



- 2 Using a #2 Philips screwdriver, install the M5 flat head screws through the mounting bracket holes into the rack.

Note: Make sure you tighten all the four screws to prevent the Switch from getting slanted.

- 3 Repeat steps 1 and 2 to attach the second mounting bracket on the other side of the rack.

CHAPTER 3

Hardware Panels

This chapter describes the front panel and rear panel of the Switch and shows you how to make the hardware connections.

3.1 Front Panel

You can use either crossover or straight-through cables for all the ports.

The front panel of the Switch includes the auto-negotiating 10 Base-T/100 Base-TX/1000 Base-T RJ-45 ports and the LEDs.

The GS1100-24 and GS1100-10HP have two SFP slots. Refer to [Section 3.1.5 on page 21](#) for more information.

The following figures show the front panels of the Switch.

Figure 11 Front Panel

GS1100-10HP



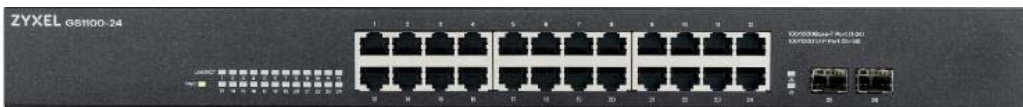
GS1100-16



GS1100-24E



GS1100-24



You can use unshielded twisted pair (UTP) or shielded twisted-pair (STP) Ethernet cables for RJ-45 ports. The following table describes the types of network cable used for the different connection speeds.

Table 4 Network Cable Types

SPEED	NETWORK CABLE TYPE
10 Mbps	Category 3, 4 or 5 UTP/STP
100 Mbps	Category 5 UTP/STP
1000 Mbps	Category 5e, 6 UTP/STP

3.1.1 RJ-45 Auto-negotiating Ports

The 10 Base-T/100 Base-TX/1000 Base-T RJ-45 ports are auto-negotiating and auto-crossover.

An auto-negotiating port can detect and adjust to the optimum Ethernet speed (10/100/1000 Mbps) and duplex mode (full duplex or half duplex) of the connected device.

An auto-crossover (auto-MDI/MDI-X) port automatically works with a straight-through or crossover Ethernet cable.

3.1.2 IEEE 802.3az EEE

The Switch supports the IEEE 802.3az EEE (Energy Efficient Ethernet) standard to help reduce power consumption. This allows the Switch to go into power saving mode and switch off part of receive and transmit circuitry when it is not transmitting or receiving data through an Ethernet connection.

An EEE-enabled device initiates Low Power Idle (LPI) signals to negotiate and wake up the remote device when there is data to be transmitted. To use EEE, both devices should be EEE compliant.

EEE is configured on a per-system basis in the Switch. If one of the networking devices that connect to the Switch doesn't support EEE, EEE may not work in the Switch to save power.

Press the **IEEE 802.3az EEE ON/OFF** button on the GS1100-10HP to turn on the EEE feature. Disable it if you don't want the network performance to be impacted due to the latency from the additional time required for the sleep and wake transition or if the remote side doesn't support it.

Note: Only the GS1100-10HP has the IEEE 802.3az EEE button. For the GS1100-16/24E/24, the IEEE 802.3az EEE feature is enabled by default.

3.1.3 Gigabit Ethernet Ports

The Switch has 1000Base-T auto-negotiating, auto-crossover Ethernet ports. In 10/100/1000 Mbps Gigabit, the speed can be 10 Mbps, 100 Mbps or 1000 Mbps and the duplex mode can be half duplex or full duplex.

An auto-negotiating port can detect and adjust to the optimum Ethernet speed (10/100/1000 Mbps) and duplex mode (full duplex) of the connected device.

An auto-crossover (auto-MDI/MDI-X) port automatically works with a straight-through or crossover Ethernet cable.

When auto-negotiation is turned on, an Ethernet port negotiates with the peer automatically to determine the connection speed and duplex mode. If the peer Ethernet port does not support auto-negotiation or turns off this feature, the Switch determines the connection speed by detecting the signal on the cable. When the Switch's auto-negotiation is turned off, an Ethernet port uses the pre-configured speed and duplex mode when making a connection, thus requiring you to make sure that the settings of the peer Ethernet port are the same in order to connect.

All ports support auto-crossover, that is auto-MDIX ports (Media Dependent Interface Crossover), so you may use either a straight-through Ethernet cable or crossover Ethernet cable for all Gigabit port connections. Auto-crossover ports automatically sense whether they need to function as crossover or straight ports, so crossover cables can connect both computers and switches or hubs.

3.1.4 PoE (GS1100-10HP)

The Switch supports the IEEE 802.3af Power over Ethernet (PoE), IEEE 802.3at Power over Ethernet (PoE) plus. The Switch is a Power Sourcing Equipment (PSE) because it provides a source of power via its Ethernet ports. Each device that receives power through an Ethernet port is a Powered Device (PD).

3.1.5 SFP Slots (GS1100-24 and GS1100-10HP)

These are slots for SFP (Small Form-Factor Pluggable) transceivers. A transceiver is a single unit that houses a transmitter and a receiver. The Switch does not come with transceivers. You must use transceivers that comply with the Small Form-factor Pluggable (SFP) Transceiver MultiSource Agreement (MSA). See the SFF committee's INF-8074i specification Rev 1.0 for details.

You can change transceivers while the Switch is operating. You can use different transceivers to connect to Ethernet switches with different types of fiber or even copper cable connectors.

- Type: SFP connection interface
- Connection speed: 100/1000 Mbps

WARNING! To avoid possible eye injury, do not look into an operating fiber module's connectors.

HANDLING! All transceivers are static sensitive. To prevent damage from electrostatic discharge (ESD), it is recommended you attach an ESD preventive wrist strap to your wrist and to a bare metal surface when you install or remove a transceiver.

STORAGE! All modules are dust sensitive. When not in use, always keep the dust plug on. Avoid getting dust and other contaminant into the optical bores, as the optics do not work correctly when obstructed with dust.

3.1.5.1 Transceiver Installation

Use the following steps to install a transceiver.

- 1 Attach an ESD preventive wrist strap to your wrist and to a bare metal surface.
- 2 Align the transceiver in front of the slot opening.

- 3 Make sure the latch is in the lock position (latch styles vary), then insert the transceiver into the slot with the exposed section of PCB board facing down.
- 4 Press the transceiver firmly until it clicks into place.
- 5 The Switch automatically detects the installed transceiver. Check the LEDs to verify that it is functioning properly.
- 6 Remove the dust plugs from the transceiver and cables (dust plug styles vary).
- 7 Identify the signal transmission direction of the fiber cables and the transceiver. Insert the fiber cable into the transceiver.

Figure 12 Latch in the Lock Position

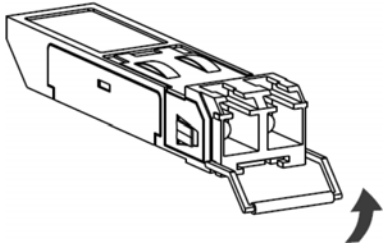


Figure 13 Transceiver Installation Example

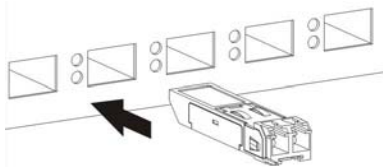
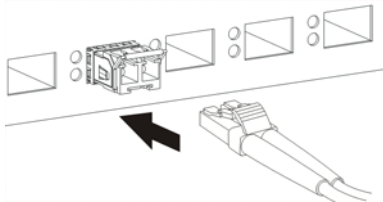


Figure 14 Connecting the Fiber Cables



3.1.5.2 Transceiver Removal

Use the following steps to remove an SFP transceiver.

- 1 Attach an ESD preventive wrist strap to your wrist and to a bare metal surface on the chassis.
- 2 Remove the fiber cables from the transceiver.
- 3 Pull out the latch and down to unlock the transceiver (latch styles vary).

Note: Make sure the transceiver's latch is pushed all the way down, so the transceiver can be pulled out successfully.

- 4 Pull the latch, or use your thumb and index finger to grasp the tabs on both sides of the transceiver, and carefully slide it out of the slot.

Note: Do NOT pull the transceiver out by force. You could damage it. If the transceiver will not slide out, grasp the tabs on both sides of the transceiver with a slight up or down motion and carefully slide it out of the slot. If unsuccessful, contact Zyxel Support to prevent damage to your Switch and transceiver.

- 5 Insert the dust plug into the ports on the transceiver and the cables.

Figure 15 Removing the Fiber Cables

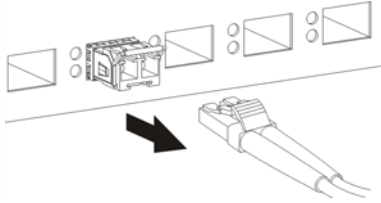


Figure 16 Opening the Transceiver's Latch Example

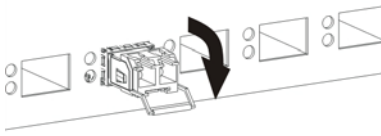
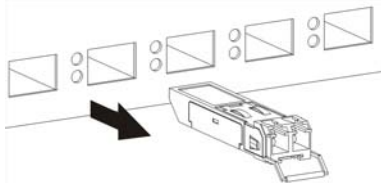


Figure 17 Transceiver Removal Example



3.2 Rear Panel

The following figures show the rear panels of the Switch. The rear panels contain:

The power receptacle is located on the rear panel of the Switch. Refer to the power supply requirements on the panel.

Figure 18 Rear Panel**GS1100-10HP****GS1100-16****GS1100-24E****GS1100-24**

3.2.1 Grounding (GS1100-10HP)

Grounding is a safety measure to direct excess electric charge to the ground. It prevents damage to the Switch, and protects you from electrocution. Use the grounding screw on the rear panel and the ground wire of the AC power supply to ground the Switch.

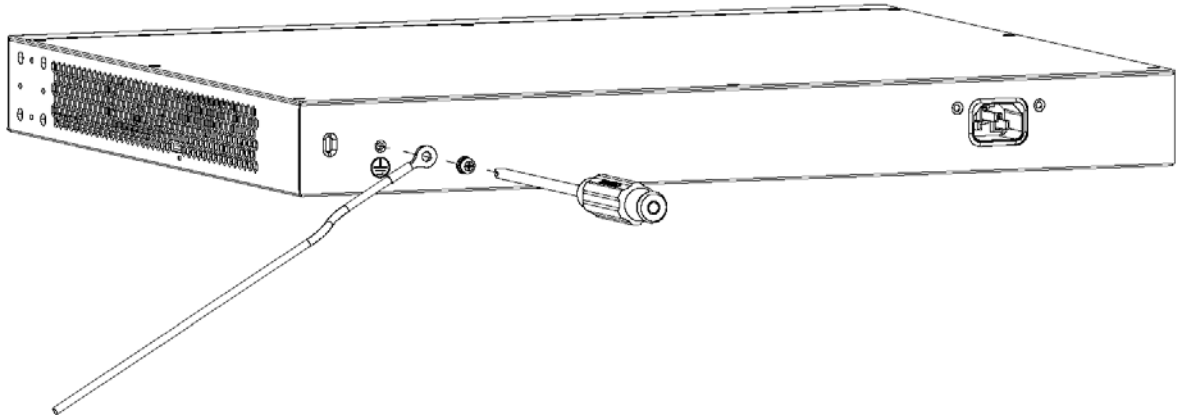
The grounding terminal and AC power ground where you install the Switch must follow your country's regulations. Qualified service personnel must ensure the building's protective earthing terminals are valid terminals.

Installation of Ethernet cables must be separate from AC power lines. To avoid electric surge and electromagnetic interference, use a different electrical conduit or raceway (tube/trough or enclosed conduit for protecting electric wiring) that is 15 cm apart, or as specified by your country's electrical regulations.

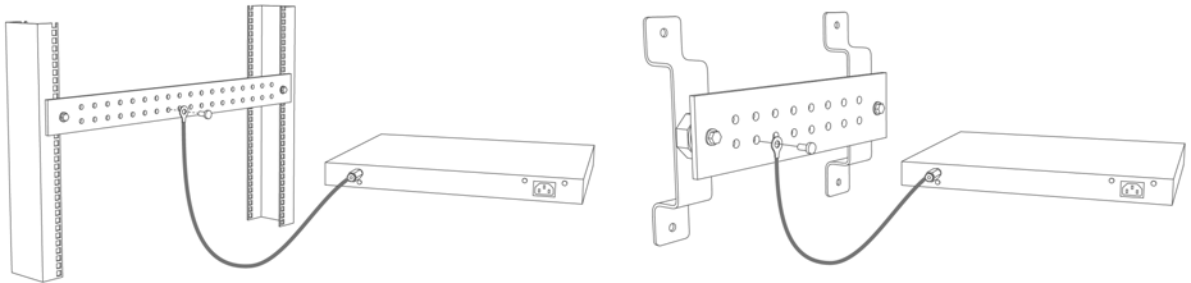
Any device that is located outdoors and connected to this product must be properly grounded and surge protected. To the extent permissible by your country's applicable law, failure to follow these guidelines could result in damage to your Switch which may not be covered by its warranty.

Note: The specification for surge or ESD protection assumes that the Switch is properly grounded.

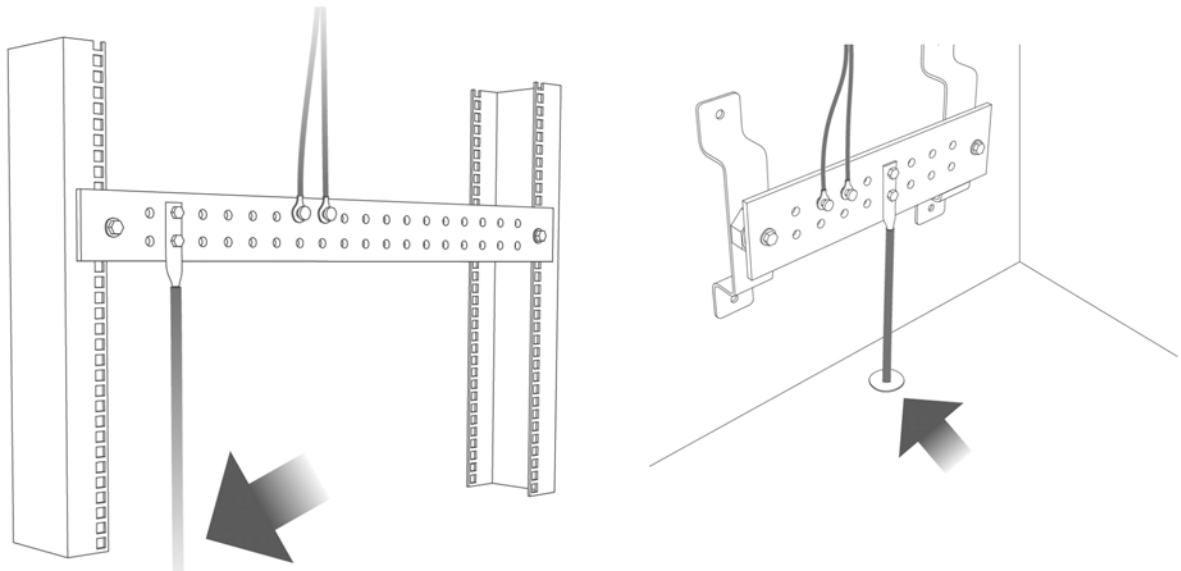
- 1 Remove the M4 ground screw from the Switch's rear panel.
- 2 Secure a green or yellow ground cable (16 AWG or smaller) to the Switch's rear panel using the M4 ground screw.

Figure 19 Grounding

- 3 Attach the other end of the ground cable to a grounding bar located on the rack where you install the Switch or to an on-site grounding terminal.

Figure 20 Attach Ground Cable to Grounding Bar or On-site Grounding Terminal

- 4 The grounding terminal of the server rack or on-site grounding terminal must also be grounded and connected to the building's main grounding electrode. Make sure the grounding terminal is connected to the buildings grounding electrode and has an earth resistance of less than 10 ohms, or according to your country's electrical regulations.

Figure 21 Connecting to the Building's Main Grounding Electrode

If you are uncertain that suitable grounding is available, contact the appropriate electrical inspection authority or an electrician.

This device must be grounded. Do this before you make other connections.

3.2.2 Power Connection

Note: Make sure you are using the correct power source as shown on the panel.

GS1100-10HP: Connect the supplied power adapter to the power receptacle on the rear panel. Then use the included power cord to connect the power adapter to an appropriate power source. Set the power switch to the ON position.

GS1100-16/24E/24: To connect power to the Switch, insert the female end of the supplied power cord to the AC power receptacle on the rear panel. Connect the other end of the power cord to an appropriate power outlet.

3.2.3 LEDs

The LED Indicators give real-time information about the status of the Switch. The following table provides descriptions of the LEDs.

The following table describes the LEDs.

Table 5 LED Descriptions: GS1100-16/24/24E

LED	COLOR	STATUS	DESCRIPTION
PWR	Green	On	The Switch is receiving power from the power module in the power slot.
		Off	The Switch is not receiving power from the power module in the power slot.
LINK/ACT	Green	On	The link to a 1000 Mbps Ethernet network is up.
		Blinking	The Switch is transmitting/receiving to/from a 1000 Mbps Ethernet network.
	Amber	On	The link to a 10 Mbps or a 100 Mbps Ethernet network is up.
		Blinking	The Switch is transmitting/receiving to/from a 10 Mbps or a 100 Mbps Ethernet network.
		Off	The ports are not connected to an Ethernet network or the Switch is shut down.
Uplink Port LED (SFP)	Green	On	The port is connected to an Ethernet network at 1000 Mbps.
		Blinking	The port is receiving or transmitting data at 1000 Mbps.
	Amber	On	The link to a 100 Mbps Ethernet network is up.
		Blinking	The port is receiving or transmitting data at 100 Mbps.
		Off	The port is not connected to an Ethernet network or the Switch is shut down.

Table 6 LED Descriptions: GS1100-10HP

LED	COLOR	STATUS	DESCRIPTION
PWR	Green	On	The Switch is receiving power from the power module in the power slot.
		Off	The Switch is not receiving power from the power module in the power slot.

Table 6 LED Descriptions: GS1100-10HP (continued)

LED	COLOR	STATUS	DESCRIPTION
PoE MAX	Amber	On	Power supplied to the PoE port(s) has reached ninety-five percent of the power budget limit or has exceeded the total PoE power budget on the Switch.
		Off	Power supplied to the PoE port(s) is below the power budget limit.
PoE 10/100/1000Base-T Ports			
Link/ACT (Left)	Green	On	The link to a 1 Gbps Ethernet network is up.
		Blinking	The Switch is transmitting/receiving to/from a 1 Gbps Ethernet network.
		Off	The port is not connected to an Ethernet network.
	Amber	On	The link to a 10 Mbps or a 100 Mbps Ethernet network is up.
		Blinking	The Switch is transmitting/receiving to/from a 10 Mbps or a 100 Mbps Ethernet network.
		Off	The link to an Ethernet network is down.
PoE Mode (Right)	Green	On	Power supplied to all PoE Ethernet ports meets the IEEE 802.3at standard
		Off	There is no power supplied.
	Amber	On	Power supplied to all PoE Ethernet ports meets the IEEE 802.3af standard.
		Off	There is no power supplied.
SFP	Green	On	The uplink port is linking at 1 Gbps.
		Blinking	The port is receiving or transmitting data at 1 Gbps.
		Off	There is no link or port, or the uplink port is shut down.
	Amber	On	The uplink port is linking at 100 Mbps.
		Blinking	The port is receiving or transmitting data at 100 Mbps.
		Off	There is no link or port, or the uplink port is shut down.

CHAPTER 4

Troubleshooting

This chapter offers some suggestions to solve problems you might encounter. The potential problems are divided into the following categories.

- [Power, Hardware Connections, and LEDs](#)
- [Improper Network Cabling and Topology](#)

4.1 Power, Hardware Connections, and LEDs

[The Switch does not turn on. None of the LEDs turn on.](#)

- 1 Make sure the Switch is turned on.
- 2 Make sure you are using the power adapter or cord included with the Switch.
- 3 Make sure the power adapter or cord is connected to the Switch and plugged in to an appropriate power source. Make sure the power source is turned on.
- 4 Turn the Switch off and on.
- 5 Disconnect and re-connect the power adapter or cord to the Switch.
- 6 If the problem continues, contact the vendor.

[One of the LEDs does not behave as expected.](#)

- 1 Make sure you understand the normal behavior of the LED. See [Section 3.2.3 on page 26](#).
- 2 Check the hardware connections. See [Section 3.1 on page 19](#).
- 3 Inspect your cables for damage. Contact the vendor to replace any damaged cables.
- 4 Turn the Switch off and on.
- 5 Disconnect and re-connect the power adapter or cord to the Switch.
- 6 If the problem continues, contact the vendor.

The PWR LED on the front panel does not light up.

- Check the connections from your Switch to the power source. Make sure you are using the supplied power cord and that you are using an appropriate power source. Refer to the product specifications.
- Make sure the power source is turned on and that the Switch is receiving sufficient power.
- If these steps fail to correct the problem, contact your local distributor for assistance.

The LNK/ACT, 1G or 10/100 LED does not light up when a device is connected.

- Verify that the attached device(s) is turned on and properly connected to your Switch.
- Make sure the network adapters are working on the attached devices.
- Verify that proper network cable type is used and its length does not exceed 100 meters. For more information on network cable types, see [Table 4 on page 20](#).

The PoE LED is off and/or power is not being supplied to my PoE-enabled device. (For GS1100-10HP)

- Check to see that the power adaptor is securely connected to the GS1100-10HP and an appropriate power source. Make sure the power source is on and functioning properly.
- Check that the Ethernet cables are connected properly and that you are using the correct type of Ethernet cable. Contact your local distributor if the problem persists.

4.2 Improper Network Cabling and Topology

Improper network cabling or topology setup is a common cause of poor network performance or even network failure.

Figure 22 Troubleshooting Improper Network Cabling and Topology

PROBLEM	CORRECTIVE ACTION
Faulty cables	Using faulty network cables may affect data rates and have an impact on your network performance. Replace with new standard network cables.
Non-standard network cables	Non-standard cables may increase the number of network collisions and cause other network problems that affect your network performance. Refer to Table 4 on page 20 for more information on network cable types.
Cabling Length	If you use longer cables than are needed, transmission quality may be affected. The network cables should not be longer than the limit of 100 meters.

Figure 22 Troubleshooting Improper Network Cabling and Topology

PROBLEM	CORRECTIVE ACTION
Too many hubs between the computers in the network	Too many hubs (or repeaters) between the connected computers in the network may increase the number of network collision or other network problems. Remove unnecessary hubs from the network.
A loop in the data path	A data path loop forms when there is more than one path or route between two networked computers. This results in broadcast storms that will severely affect your network performance. Make sure there are no loops in your network topology.

APPENDIX A

Customer Support

In the event of problems that cannot be solved by using this manual, you should contact your vendor. If you cannot contact your vendor, then contact a Zyxel office for the region in which you bought the device.

See <https://www.zyxel.com/homepage.shtml> and also https://www.zyxel.com/about_zyxel/zyxel_worldwide.shtml for the latest information.

Please have the following information ready when you contact an office.

Required Information

- Product model and serial number.
- Warranty Information.
- Date that you received your device.
- Brief description of the problem and the steps you took to solve it.

Corporate Headquarters (Worldwide)

Taiwan

- Zyxel Communications Corporation
- <http://www.zyxel.com>

Asia

China

- Zyxel Communications (Shanghai) Corp.
- Zyxel Communications (Beijing) Corp.
- Zyxel Communications (Tianjin) Corp.
- <https://www.zyxel.com/cn/zh/>

India

- Zyxel Technology India Pvt Ltd.
- <https://www.zyxel.com/in/en/>

Kazakhstan

- Zyxel Kazakhstan
- <https://www.zyxel.kz>

Korea

- Zyxel Korea Corp.
- <http://www.zyxel.kr>

Malaysia

- Zyxel Malaysia Sdn Bhd.
- <http://www.zyxel.com.my>

Pakistan

- Zyxel Pakistan (Pvt.) Ltd.
- <http://www.zyxel.com.pk>

Philippines

- Zyxel Philippines
- <http://www.zyxel.com.ph>

Singapore

- Zyxel Singapore Pte Ltd.
- <http://www.zyxel.com.sg>

Taiwan

- Zyxel Communications Corporation
- <https://www.zyxel.com/tw/zh/>

Thailand

- Zyxel Thailand Co., Ltd.
- <https://www.zyxel.com/th/th/>

Vietnam

- Zyxel Communications Corporation-Vietnam Office
- <https://www.zyxel.com/vn/vi>

Europe

Belarus

- Zyxel BY
- <https://www.zyxel.by>

Belgium

- Zyxel Communications B.V.
- <https://www.zyxel.com/be/nl/>

- <https://www.zyxel.com/be/fr/>

Bulgaria

- Zyxel България
- <https://www.zyxel.com/bg/bg/>

Czech Republic

- Zyxel Communications Czech s.r.o
- <https://www.zyxel.com/cz/cs/>

Denmark

- Zyxel Communications A/S
- <https://www.zyxel.com/dk/da/>

Estonia

- Zyxel Estonia
- <https://www.zyxel.com/ee/et/>

Finland

- Zyxel Communications
- <https://www.zyxel.com/fi/fi/>

France

- Zyxel France
- <https://www.zyxel.fr>

Germany

- Zyxel Deutschland GmbH
- <https://www.zyxel.com/de/de/>

Hungary

- Zyxel Hungary & SEE
- <https://www.zyxel.com/hu/hu/>

Italy

- Zyxel Communications Italy
- <https://www.zyxel.com/it/it/>

Latvia

- Zyxel Latvia
- <https://www.zyxel.com/lv/lv/>

Lithuania

- Zyxel Lithuania
- <https://www.zyxel.com/lt/lt/>

Netherlands

- Zyxel Benelux
- <https://www.zyxel.com/nl/nl/>

Norway

- Zyxel Communications
- <https://www.zyxel.com/no/no/>

Poland

- Zyxel Communications Poland
- <https://www.zyxel.com/pl/pl/>

Romania

- Zyxel Romania
- <https://www.zyxel.com/ro/ro>

Russia

- Zyxel Russia
- <https://www.zyxel.com/ru/ru/>

Slovakia

- Zyxel Communications Czech s.r.o. organizacna zlozka
- <https://www.zyxel.com/sk/sk/>

Spain

- Zyxel Communications ES Ltd.
- <https://www.zyxel.com/es/es/>

Sweden

- Zyxel Communications
- <https://www.zyxel.com/se/sv/>

Switzerland

- Studerus AG
- <https://www.zyxel.ch/de>
- <https://www.zyxel.ch/fr>

Turkey

- Zyxel Turkey A.S.
- <https://www.zyxel.com/tr/tr/>

UK

- Zyxel Communications UK Ltd.
- <https://www.zyxel.com/uk/en/>

Ukraine

- Zyxel Ukraine
- <http://www.ua.zyxel.com>

South America

Argentina

- Zyxel Communications Corporation
- <https://www.zyxel.com/co/es/>

Brazil

- Zyxel Communications Brasil Ltda.
- <https://www.zyxel.com/br/pt/>

Colombia

- Zyxel Communications Corporation
- <https://www.zyxel.com/co/es/>

Ecuador

- Zyxel Communications Corporation
- <https://www.zyxel.com/co/es/>

South America

- Zyxel Communications Corporation
- <https://www.zyxel.com/co/es/>

Middle East

Israel

- Zyxel Communications Corporation
- <http://il.zyxel.com/>

Middle East

- Zyxel Communications Corporation
- <https://www.zyxel.com/me/en/>

North America

USA

- Zyxel Communications, Inc. – North America Headquarters
- <https://www.zyxel.com/us/en/>

Oceania

Australia

- Zyxel Communications Corporation
- <https://www.zyxel.com/au/en/>

Africa

South Africa

- Nology (Pty) Ltd.
- <https://www.zyxel.com/za/en/>

APPENDIX B

Legal Information

Copyright

Copyright © 2020 by Zyxel Communications Corporation.

The contents of this publication may not be reproduced in any part or as a whole, transcribed, stored in a retrieval system, translated into any language, or transmitted in any form or by any means, electronic, mechanical, magnetic, optical, chemical, photocopying, manual, or otherwise, without the prior written permission of Zyxel Communications Corporation.

Published by Zyxel Communications Corporation. All rights reserved.

Disclaimer

Zyxel does not assume any liability arising out of the application or use of any products, or software described herein. Neither does it convey any license under its patent rights nor the patent rights of others. Zyxel further reserves the right to make changes in any products described herein without notice. This publication is subject to change without notice.

Regulatory Notice and Statement (Class A)

Model List: GS1100-16, GS1100-24, GS1100-24E

United States of America



The following information applies if you use the product within USA area.

US Importer: Zyxel Communications, Inc, 1130 North Miller Street Anaheim, CA92806-2001, <https://www.zyxel.com/us/en/>

Federal Communications Commission (FCC) EMC Statement

- This device complies with Part 15 of FCC rules. Operation is subject to the following two conditions:
 - (1) This device may not cause harmful interference.
 - (2) This device must accept any interference received, including interference that may cause undesired operations.
- Changes or modifications not expressly approved by the party responsible for compliance could void the user's authority to operate the equipment.
- This equipment has been tested and found to comply with the limits for a Class A digital device, pursuant to part 15 of the FCC Rules. These limits are designed to provide reasonable protection against harmful interference when the equipment is operated in a commercial environment. This equipment generates, uses, and can radiate radio frequency energy and, if not installed and used in accordance with the instruction manual, may cause harmful interference to radio communications. Operation of this equipment in a residential area is likely to cause harmful interference in which case the user will be required to correct the interference at his own expense.

Canada

The following information applies if you use the product within Canada area.

Innovation, Science and Economic Development Canada ICES statement

CAN ICES-3 (A)/NMB-3(A)

European Union



The following information applies if you use the product within the European Union.

CE EMC statement

WARNING: This equipment is compliant with Class A of EN55032. In a residential environment this equipment may cause radio interference.

List of National Codes

COUNTRY	ISO 3166 2 LETTER CODE	COUNTRY	ISO 3166 2 LETTER CODE
Austria	AT	Liechtenstein	LI
Belgium	BE	Lithuania	LT
Bulgaria	BG	Luxembourg	LU
Croatia	HR	Malta	MT
Cyprus	CY	Netherlands	NL
Czech Republic	CR	Norway	NO
Denmark	DK	Poland	PL
Estonia	EE	Portugal	PT
Finland	FI	Romania	RO
France	FR	Serbia	RS
Germany	DE	Slovakia	SK
Greece	GR	Slovenia	SI
Hungary	HU	Spain	ES
Iceland	IS	Sweden	SE
Ireland	IE	Switzerland	CH
Italy	IT	Turkey	TR
Latvia	LV	United Kingdom	GB

Notices

CLASS 1 LASER PRODUCT
 APPAREIL À LASER DE CLASS 1
 PRODUCT COMPLIES WITH 21 CFR 1040.10 AND 1040.11.
 PRODUIT CONFORME SELON 21 CFR 1040.10 ET 1040.11.

Safety Warnings


- To avoid possible eye injury, do NOT look into an operating fiber-optic module's connector.
- Do NOT use this product near water, for example, in a wet basement or near a swimming pool.
- Do NOT expose your device to dampness, dust or corrosive liquids.
- Do NOT store things on the device.
- Do NOT obstruct the device ventilation slots as insufficient airflow may harm your device. For example, do not place the device in an enclosed space such as a box or on a very soft surface such as a bed or sofa.
- Do NOT install, use, or service this device during a thunderstorm. There is a remote risk of electric shock from lightning.
- Connect ONLY suitable accessories to the device.
- Do NOT open the device or unit. Opening or removing covers can expose you to dangerous high voltage points or other risks. Only qualified service personnel should service or disassemble this device. Please contact your vendor for further information.
- Make sure to connect the cables to the correct ports.
- Place connecting cables carefully so that no one will step on them or stumble over them.
- Always disconnect all cables from this device before servicing or disassembling.
- Do NOT remove the plug and connect it to a power outlet by itself; always attach the plug to the power adaptor first before connecting it to a power outlet.
- Do NOT allow anything to rest on the power adaptor or cord and do NOT place the product where anyone can walk on the power adaptor or cord.
- Please use the provided or designated connection cables/power cables/adaptors. Connect it to the right supply voltage (for example, 110V AC in North America or 230V AC in Europe). If the power adaptor or cord is damaged, it might cause electrocution. Remove it from the device and the power source, repairing the power adaptor or cord is prohibited. Contact your local vendor to order a new one.
- Do NOT use the device outside, and make sure all the connections are indoors. There is a remote risk of electric shock from lightning.
- CAUTION: RISK OF EXPLOSION IF BATTERY IS REPLACED BY AN INCORRECT TYPE, DISPOSE OF USED BATTERIES ACCORDING TO THE INSTRUCTION. Dispose them at the applicable collection point for the recycling of electrical and electronic device. For detailed information about recycling of this product, please contact your local city office, your household waste disposal service or the store where you purchased the product.
- Use ONLY power wires of the appropriate wire gauge for your device. Connect it to a power supply of the correct voltage.
- Fuse Warning! Replace a fuse only with a fuse of the same type and rating.
- The POE (Power over Ethernet) devices that supply or receive power and their connected Ethernet cables must all be completely indoors.
- The following warning statements apply, where the disconnect device is not incorporated in the device or where the plug on the power supply cord is intended to serve as the disconnect device,
 - For PERMANENTLY CONNECTED DEVICES, a readily accessible disconnect device shall be incorporated external to the device;
 - For PLUGGABLE DEVICES, the socket-outlet shall be installed near the device and shall be easily accessible.
- This device must be grounded by qualified service personnel. Never defeat the ground conductor or operate the device in the absence of a suitably installed ground conductor. Contact the appropriate electrical inspection authority or an electrician if you are uncertain that suitable grounding is available. If your device has an earthing screw (frame ground), connect the screw to a ground terminal using an appropriate AWG ground wire. Do this before you make other connections. If your device has no earthing screw, but has a 3-prong power plug, make sure to connect the plug to a 3-hole earthed socket.

- When connecting or disconnecting power to hot-pluggable power supplies, if offered with your system, observe the following guidelines:
 - Install the power supply before connecting the power cable to the power supply.
 - Unplug the power cable before removing the power supply.
 - If the system has multiple sources of power, disconnect power from the system by unplugging all power cables from the power supply.
- CLASS 1 LASER PRODUCT (for products with mini-GBIC slots or laser products, such as fiber-optic transceiver and GPON products).
- PRODUCT COMPLIES WITH 21 CFR 1040.10 AND 1040.11. (for products with mini-GBIC slots or laser products, such as fiber-optic transceiver and GPON products)
- APPAREIL À LASER DE CLASS 1 (for products with mini-GBIC slots or laser products, such as fiber-optic transceiver and GPON products).
- PRODUIT CONFORME SELON 21 CFR 1040.10 ET 1040.11. (for products with mini-GBIC slots or laser products, such as fiber-optic transceiver and GPON products)

Important Safety Instructions

1 Warning! Energy Hazard. Remove all metal jewelry, watches, and so on from your hands and wrists before serving this device.


2 Caution! The RJ-45 jacks are not used for telephone line connection.

3  Hazardous Moving Parts. Keep body parts away from fan blades.

4  Hot Surface. Do not touch.

1 Avertissement: Risque de choc électrique. Retirer tout bijoux en métal et votre montre de vos mains et poignets avant de manipuler cet appareil.

2 Attention: Les câbles RJ-45 ne doivent pas être utilisés pour les connections téléphoniques.

3  Mobilité des pièces détachées. S'assurer que les pièces détachées ne sont pas en contact avec les pales du ventilateur.

4  Surface brûlante. Ne pas toucher.

Environment Statement

European Union - Disposal and Recycling Information

The symbol below means that according to local regulations your product and/or its battery shall be disposed of separately from domestic waste. If this product is end of life, take it to a recycling station designated by local authorities. At the time of disposal, the separate collection of your product and/or its battery will help save natural resources and ensure that the environment is sustainable development.

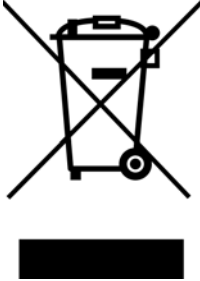
Die folgende Symbol bedeutet, dass Ihr Produkt und/oder seine Batterie gemäß den örtlichen Bestimmungen getrennt vom Hausmüll entsorgt werden muss. Wenden Sie sich an eine Recyclingstation, wenn dieses Produkt das Ende seiner Lebensdauer erreicht hat. Zum Zeitpunkt der Entsorgung wird die getrennte Sammlung von Produkt und/oder seiner Batterie dazu beitragen, natürliche Ressourcen zu sparen und die Umwelt und die menschliche Gesundheit zu schützen.

El símbolo de abajo indica que según las regulaciones locales, su producto y/o su batería deberán depositarse como basura separada de la doméstica. Cuando este producto alcance el final de su vida útil, llévelo a un punto limpio. Cuando llegue el momento de desechar el producto, la recogida por separado éste y/o su batería ayudará a salvar los recursos naturales y a proteger la salud humana y medioambiental.

Le symbole ci-dessous signifie que selon les réglementations locales votre produit et/ou sa batterie doivent être éliminés séparément des ordures ménagères. Lorsque ce produit atteint sa fin de vie, amenez-le à un centre de recyclage. Au moment de la mise au rebut, la collecte séparée de votre produit et/ou de sa batterie aidera à économiser les ressources naturelles et protéger l'environnement et la santé humaine.

Il simbolo sotto significa che secondo i regolamenti locali il vostro prodotto e/o batteria deve essere smaltito separatamente dai rifiuti domestici. Quando questo prodotto raggiunge la fine della vita di servizio portarlo a una stazione di riciclaggio. Al momento dello smaltimento, la raccolta separata del vostro prodotto e/o della sua batteria aiuta a risparmiare risorse naturali e a proteggere l'ambiente e la salute umana.

Symbolen innebär att enligt lokal lagstiftning ska produkten och/eller dess batteri kastas separat från hushållsavfallet. När den här produkten når slutet av sin livslängd ska du ta den till en återvinningsstation. Vid tiden för kasseringen bidrar du till en bättre miljö och mänsklig hälsa genom att göra dig av med den på ett återvinningsställe.



Environmental Product Declaration

Български (Bulgarian)	Čeština (Czech)	Dansk (Danish)	Deutsch (German)
<p>Екологична продуктова декларация</p> <p>RuHS Директива 2011/65/ЕО WEEE Директива 2012/19/ЕО PFW Директива 94/62/ЕО REACH Регламент (ЕО) № 1907/2006</p> <p>Име: Richard Hsu / Quality Management Дивизия: Дивизия Senior Manager Дата: (dd/mm/yyyy) 01/10/2014</p>	<p>Environmentální prohlášení o produktu</p> <p>RuHS Směrnice 2011/65/EU WEEE Směrnice 2012/19/EU PFW Směrnice 94/62/ES REACH Nařízení (ES) č. 1907/2006</p> <p>Jméno: Richard Hsu / Quality Management Podpis: Дивизия Senior Manager Datum: (dd/mm/yyyy) 01/10/2014</p>	<p>Miljøerklæring</p> <p>RuHS Direktiv 2011/65/EU WEEE Direktiv 2012/19/EU PFW Direktiv 94/62/EF REACH Forskriftning (EF) nr. 1907/2006</p> <p>Navn: Richard Hsu / Quality Management Underskrift: Дивизия Senior Manager Dato: (dd/mm/yyyy) 01/10/2014</p>	<p>Produkt-Umweltdeklaration</p> <p>RuHS Richtlinie 2011/65/EU WEEE Richtlinie 2012/19/EU PFW Richtlinie 94/62/EG REACH VERORDNUNG (EG) Nr. 1907/2006</p> <p>Name: Richard Hsu / Quality Management Stempel: Дивизия Senior Manager Datum: (dd/mm/yyyy) 01/10/2014</p>
<p>Төдөткөсү (Estonian)</p> <p>RuHS Direktiv 2011/65/EL WEEE Direktiv 2012/19/EL PFW Direktiv 94/62/EU REACH MAARUS (EÜ) nr. 1907/2006</p> <p>Nimi: Richard Hsu / Quality Management Düvisioon: Дивизия Senior Manager Date: (dd/mm/yyyy) 01/10/2014</p>	<p>English</p> <p>Environmental product declaration</p> <p>RuHS Directive 2011/65/EU WEEE Directive 2012/19/EU PFW Directive 94/62/EC REACH Regulation (EC) No 1907/2006</p> <p>Name: Richard Hsu / Quality Management Signature: Дивизия Senior Manager Date: (dd/mm/yyyy) 01/10/2014</p>	<p>Español (Spanish)</p> <p>Declaración Ambiental de Producto</p> <p>RuHS Directiva 2011/65/UE WEEE Directiva 2012/19/UE PFW Directiva 94/62/CE REACH REGLAMENTO (CE) nº 1907/2006</p> <p>Nombre: Richard Hsu / Quality Management Firma: Дивизия Senior Manager Fecha: (dd/mm/yyyy) 01/10/2014</p>	<p>Français (French)</p> <p>Profil environnemental de produit</p> <p>RuHS Directive 2011/65/UE WEEE Directive 2012/19/UE PFW Directive 94/62/CE REACH RÈGLEMENT (CE) N° 1907/2006</p> <p>Nom: Richard Hsu / Quality Management Signature: Дивизия Senior Manager Date: (dd/mm/yyyy) 01/10/2014</p>
<p>Hrvatski (Croatian)</p> <p>Deklaracija o održiva proizvodstva</p> <p>RuHS Direktiva 2011/65/EU WEEE Direktiva 2012/19/EU PFW Direktiva 94/62/EC REACH Uredba (EZ) br. 1907/2006</p> <p>Ime: Richard Hsu / Quality Management Dio: Дивизия Senior Manager Datum: (dd/mm/yyyy) 01/10/2014</p>	<p>Italiano (Italian)</p> <p>Dichiarazione ambientale di prodotto</p> <p>RuHS Direttiva 2011/65/UE WEEE Direttiva 2012/19/UE PFW Direttiva 94/62/CE REACH REGOLAMENTO (CE) n. 1907/2006</p> <p>Nome: Richard Hsu / Quality Management Firma: Дивизия Senior Manager Data: (dd/mm/yyyy) 01/10/2014</p>	<p>Latviešu valoda (Latvian)</p> <p>Produkta vides ietekmējuma deklarācija</p> <p>RuHS Direktīva 2011/65/EĻ WEEE Direktīva 2012/19/EĻ PFW Direktīva 94/62/EK REACH Regula (EK) Nr. 1907/2006</p> <p>nosaukums: Richard Hsu / Quality Management Dziņa: Дивизия Senior Manager Datums: (dd/mm/yyyy) 01/10/2014</p>	<p>Lietuvių kalba (Lithuanian)</p> <p>Aplinkosaugojimo gaminių deklaracija</p> <p>RuHS Direktyva 2011/65/ES WEEE Direktyva 2012/19/ES PFW Direktyva 94/62/ES REACH REGLAMENTAS (ES) Nr. 1907/2006</p> <p>Vardas: Richard Hsu / Quality Management Pavardė: Дивизия Senior Manager Data: (dd/mm/yyyy) 01/10/2014</p>
<p>Magyar (Hungarian)</p> <p>Környezetvédelmi terméknyilatkozatt</p> <p>RuHS 2011/65/EU irányelv WEEE 2012/19/EU irányelv PFW 94/62/EK irányelv REACH 1907/2006/EK rendelet</p> <p>Név: Richard Hsu / Quality Management Díjazás: Дивизия Senior Manager Dátum: (dd/mm/yyyy) 01/10/2014</p>	<p>Maltese (Maltese)</p> <p>Dikjarazzjoni Ambientali dwar il-Prodott</p> <p>RuHS Direttiva 2011/65/UE WEEE Direttiva 2012/19/UE PFW Direttiva 94/62/CE REACH REGOLAMENTO (UE) Nru 1907/2006</p> <p>Isim: Richard Hsu / Quality Management Firma: Дивизия Senior Manager Data: (dd/mm/yyyy) 01/10/2014</p>	<p>Nederlands (Dutch)</p> <p>Milieuproductverklaring</p> <p>RuHS Richtlijn 2011/65/EU WEEE Richtlijn 2012/19/EU PFW Richtlijn 94/62/EG REACH Verordening (EG) nr. 1907/2006</p> <p>Naam: Richard Hsu / Quality Management Handtekening: Дивизия Senior Manager Datum: (dd/mm/jaar) 01/10/2014</p>	<p>Polski (Polish)</p> <p>Deklarację środowiskową produktu</p> <p>RuHS Dyrektywa 2011/65/UE WEEE Dyrektywa 2012/19/UE PFW Dyrektywa 94/62/WE REACH Rozporządzenie (WE) nr. 1907/2006</p> <p>Nazwisko: Richard Hsu / Quality Management Imię: Дивизия Senior Manager Data: (dd/mm/yyyy) 01/10/2014</p>
<p>Português (Portuguese)</p> <p>Declaração ambiental do produto</p> <p>RuHS Diretiva 2011/65/UE WEEE Diretiva 2012/19/UE PFW Diretiva 94/62/CE REACH Regulamento (CE) nº 1907/2006</p> <p>Nome: Richard Hsu / Quality Management Assinatura: Дивизия Senior Manager Data: (dd/mm/yyyy) 01/10/2014</p>	<p>Română (Romanian)</p> <p>Declarație de mediu privind produsul</p> <p>RuHS Directivă 2011/65/UE WEEE Directivă 2012/19/UE PFW Directivă 94/62/CE REACH REGULAMENTUL (CE) nr. 1907/2006</p> <p>Numele: Richard Hsu / Quality Management Semnatura: Дивизия Senior Manager Data: (dd/mm/yyyy) 01/10/2014</p>	<p>Slovenčina (Slovak)</p> <p>Výhlásenie o environmentálnom výrobku</p> <p>RuHS Smernica 2011/65/EU WEEE Smernica 2012/19/EU PFW Smernica 94/62/ES REACH Nariadenie (ES) č. 1907/2006</p> <p>Menov: Richard Hsu / Quality Management Podpis: Дивизия Senior Manager Dátum: (dd/mm/yyyy) 01/10/2014</p>	<p>Slovenčina (Slovene)</p> <p>Okoljsko deklaracija izdelka</p> <p>RuHS Direktiva 2011/65/EU WEEE Direktiva 2012/19/EU PFW Direktiva 94/62/ES REACH Uredba (ES) št. 1907/2006</p> <p>Ime: Richard Hsu / Quality Management Podpis: Дивизия Senior Manager Datum: (dd/mm/yyyy) 01/10/2014</p>
<p>Suomi (Finnish)</p> <p>Stuorin ympäristövaikutusta koskeva tuotteen ympäristövaikutusdeklaration</p> <p>RuHS Direktiivi 2011/65/EU WEEE Direktiivi 2012/19/EU PFW Direktiivi 94/62/EY REACH ASETUS (EY) N:o 1907/2006</p> <p>Nimi: Richard Hsu / Quality Management Ala-nimi: Дивизия Senior Manager Päiväys: (dd/mm/yyyy) 01/10/2014</p>	<p>Svenska (Swedish)</p> <p>Miljöproduktdeklaration</p> <p>RuHS Direktiv 2011/65/EU WEEE Direktiv 2012/19/EU PFW Direktiv 94/62/EU REACH Förordning (EU) nr. 1907/2006</p> <p>Navn: Richard Hsu / Quality Management Handskrivning: Дивизия Senior Manager Datum: (dd/mm/yyyy) 01/10/2014</p>	<p>Ελληνική (Greek)</p> <p>Περιβαλλοντική δήλωση προϊόντος</p> <p>RuHS Οδηγία 2011/65/ΕΥ WEEE Οδηγία 2012/19/ΕΥ PFW Οδηγία 94/62/ΕΚ REACH Σύμβαση (ΕΚ) αριθ. 1907/2006</p> <p>Όνομα: Richard Hsu / Quality Management Υπογραφή: Дивизия Senior Manager Ημερομηνία: (dd/mm/yyyy) 01/10/2014</p>	<p>Norsk (Norwegian)</p> <p>Miljøerklæring</p> <p>RuHS Direktiv 2011/65/EU WEEE Direktiv 2012/19/EU PFW Direktiv 94/62/EF REACH Forskriftning (EF) nr. 1907/2006</p> <p>Navn: Richard Hsu / Quality Management Stempel: Дивизия Senior Manager Datum: (dd/mm/yyyy) 01/10/2014</p>

台灣

以下訊息僅適用於產品銷售至台灣地區

- 這是甲類的資訊產品，在居住的環境中使用時，可能會造成射頻干擾，在這種情況下，使用者會被要求採取某些適當的對策。

安全警告 - 為了您的安全，請先閱讀以下警告及指示：

- 請勿將此產品接近水、火焰或放置在高溫的環境。
- 避免設備接觸
 - 任何液體 - 切勿讓設備接觸水、雨水、高濕度、污水腐蝕性的液體或其他水份。
 - 灰塵及污物 - 切勿接觸灰塵、污物、沙土、食物或其他不合適的材料。
- 雷雨天氣時，不要安裝，使用或維修此設備。有遭受電擊的風險。
- 切勿重摔或撞擊設備，並勿使用不正確的電源變壓器。

- 若接上不正確的電源變壓器會有爆炸的風險。
- 請勿隨意更換產品內的電池。
- 如果更換不正確的電池型式，會有爆炸的風險，請依製造商說明書處理使用過之電池。
- 請將廢電池丟棄在適當的電器或電子設備回收處。
- 請勿將設備解體。
- 請勿阻礙設備的散熱孔，空氣對流不足將會造成設備損害。
- 請插在正確的電壓供給插座（如：北美 / 台灣電壓 110V AC，歐洲是 230V AC）。
- 假若電源變壓器或電源變壓器的纜線損壞，請從插座拔除，若您還繼續插電使用，會有觸電死亡的風險。
- 請勿試圖修理電源變壓器或電源變壓器的纜線，若有毀損，請直接聯絡您購買的店家，購買一個新的電源變壓器。
- 請勿將此設備安裝於室外，此設備僅適合放置於室內。
- 請勿隨一般垃圾丟棄。
- 請參閱產品背貼上的設備額定功率。
- 請參考產品型錄或是彩盒上的作業溫度。
- 設備必須接地，接地導線不允許被破壞或沒有適當安裝接地導線，如果不確定接地方式是否符合要求可聯繫相應的電氣檢驗機構檢驗。
- 如果您提供的系統中有提供熱插拔電源，連接或斷開電源請遵循以下指導原則：
 - 先連接電源線至設備連，再連接電源。
 - 先斷開電源再拔除連接至設備的電源線。
 - 如果系統有多個電源，需拔除所有連接至電源的電源線再關閉設備電源。
- 產品沒有斷電裝置或者採用電源線的插頭視為斷電裝置的一部分，以下警語將適用：
 - 對永久連接之設備，在設備外部須安裝可觸及之斷電裝置；
 - 對插接式之設備，插座必須接近安裝之地點而且是易於觸及的。

Regulatory Notice and Statement (Class B)

Model List: GS1100-10HP

United States of America



The following information applies if you use the product within USA area.

US Importer: Zyxel Communications, Inc, 1130 North Miller Street Anaheim, CA92806-2001, <https://www.zyxel.com/us/en/>

Federal Communications Commission (FCC) EMC Statement

- This device complies with Part 15 of FCC rules. Operation is subject to the following two conditions:
 - (1) This device may not cause harmful interference.
 - (2) This device must accept any interference received, including interference that may cause undesired operations.
- Changes or modifications not expressly approved by the party responsible for compliance could void the user's authority to operate the equipment.
- This equipment has been tested and found to comply with the limits for a Class A digital device, pursuant to part 15 of the FCC Rules. These limits are designed to provide reasonable protection against harmful interference when the equipment is operated in a commercial environment. This equipment generates, uses, and can radiate radio frequency energy and, if not installed and used in accordance with the instruction manual, may cause harmful interference to radio communications. Operation of this equipment in a residential area is likely to cause harmful interference in which case the user will be required to correct the interference at his own expense.

Canada

The following information applies if you use the product within Canada area.

Innovation, Science and Economic Development Canada ICES statement

CAN ICES-3 (B)/NMB-3(B)

European Union



The following information applies if you use the product within the European Union.

List of National Codes

COUNTRY	ISO 3166 2 LETTER CODE	COUNTRY	ISO 3166 2 LETTER CODE
Austria	AT	Liechtenstein	LI
Belgium	BE	Lithuania	LT
Bulgaria	BG	Luxembourg	LU
Croatia	HR	Malta	MT
Cyprus	CY	Netherlands	NL
Czech Republic	CR	Norway	NO
Denmark	DK	Poland	PL
Estonia	EE	Portugal	PT
Finland	FI	Romania	RO
France	FR	Serbia	RS
Germany	DE	Slovakia	SK
Greece	GR	Slovenia	SI
Hungary	HU	Spain	ES
Iceland	IS	Sweden	SE
Ireland	IE	Switzerland	CH
Italy	IT	Turkey	TR
Latvia	LV	United Kingdom	GB

Safety Warnings

- To avoid possible eye injury, do NOT look into an operating fiber-optic module's connector.
- Do NOT use this product near water, for example, in a wet basement or near a swimming pool.
- Do NOT expose your device to dampness, dust or corrosive liquids.
- Do NOT store things on the device.
- Do NOT obstruct the device ventilation slots as insufficient airflow may harm your device. For example, do not place the device in an enclosed space such as a box or on a very soft surface such as a bed or sofa.
- Do NOT install, use, or service this device during a thunderstorm. There is a remote risk of electric shock from lightning.
- Connect ONLY suitable accessories to the device.
- Do NOT open the device or unit. Opening or removing covers can expose you to dangerous high voltage points or other risks. Only qualified service personnel should service or disassemble this device. Please contact your vendor for further information.
- Make sure to connect the cables to the correct ports.
- Place connecting cables carefully so that no one will step on them or stumble over them.
- Always disconnect all cables from this device before servicing or disassembling.
- Do NOT remove the plug and connect it to a power outlet by itself; always attach the plug to the power adaptor first before connecting it to a power outlet.
- Do NOT allow anything to rest on the power adaptor or cord and do NOT place the product where anyone can walk on the power adaptor or cord.
- Please use the provided or designated connection cables/power cables/adaptors. Connect it to the right supply voltage (for example, 110V AC in North America or 230V AC in Europe). If the power adaptor or cord is damaged, it might cause electrocution. Remove it from the device and the power source, repairing the power adapter or cord is prohibited. Contact your local vendor to order a new one.
- Do NOT use the device outside, and make sure all the connections are indoors. There is a remote risk of electric shock from lightning.
- CAUTION: RISK OF EXPLOSION IF BATTERY IS REPLACED BY AN INCORRECT TYPE, DISPOSE OF USED BATTERIES ACCORDING TO THE INSTRUCTION. Dispose them at the applicable collection point for the recycling of electrical and electronic device. For detailed information about recycling of this product, please contact your local city office, your household waste disposal service or the store where you purchased the product.
- Use ONLY power wires of the appropriate wire gauge for your device. Connect it to a power supply of the correct voltage.
- Fuse Warning! Replace a fuse only with a fuse of the same type and rating.
- The POE (Power over Ethernet) devices that supply or receive power and their connected Ethernet cables must all be completely indoors.
- The following warning statements apply, where the disconnect device is not incorporated in the device or where the plug on the power supply cord is intended to serve as the disconnect device.
 - For PERMANENTLY CONNECTED DEVICES, a readily accessible disconnect device shall be incorporated external to the device;
 - For PLUGGABLE DEVICES, the socket-outlet shall be installed near the device and shall be easily accessible.
- This device must be grounded by qualified service personnel. Never defeat the ground conductor or operate the device in the absence of a suitably installed ground conductor. Contact the appropriate electrical inspection authority or an electrician if you are uncertain that suitable grounding is available.
- When connecting or disconnecting power to hot-pluggable power supplies, if offered with your system, observe the following guidelines:
 - Install the power supply before connecting the power cable to the power supply.
 - Unplug the power cable before removing the power supply.
 - If the system has multiple sources of power, disconnect power from the system by unplugging all power cables from the power supply.
- CLASS 1 LASER PRODUCT (for products with mini-GBIC slots or laser products, such as fiber-optic transceiver and GPON products).
- PRODUCT COMPLIES WITH 21 CFR 1040.10 AND 1040.11. (for products with mini-GBIC slots or laser products, such as fiber-optic transceiver and GPON products)

- APPAREIL À LASER DE CLASS 1 (for products with mini-GBIC slots or laser products, such as fiber-optic transceiver and GPON products).
- PRODUIT CONFORME SELON 21 CFR 1040.10 ET 1040.11. (for products with mini-GBIC slots or laser products, such as fiber-optic transceiver and GPON products)

Environment Statement

ErP (Energy-related Products)

All ZyXEL products put on the EU market in compliance with the requirement of the European Parliament and the Council published Directive 2009/125/EC establishing a framework for the setting of ecodesign requirements for energy-related products (recast), so called as "ErP Directive (Energy-related Products directive) as well as ecodesign requirement laid down in applicable implementing measures, power consumption has satisfied regulation requirements which are:


- Network standby power consumption < 12W and/or
- Off mode power consumption < 0.5W and/or
- Standby mode power consumption < 0.5W.

Please refer to "Wireless" chapter for more details on Wireless settings.

Important Safety Instructions

- 1 Warning! Energy Hazard. Remove all metal jewelry, watches, and so on from your hands and wrists before serving this device.


- 2 Caution! The RJ-45 jacks are not used for telephone line connection.

- 3  Hazardous Moving Parts. Keep body parts away from fan blades.

- 4  Hot Surface. Do not touch.

- 1 Avertissement: Risque de choc électrique. Retirer tout bijoux en métal et votre montre de vos mains et poignets avant de manipuler cet appareil.

- 2 Attention: Les câbles RJ-45 ne doivent pas être utilisés pour les connections téléphoniques.

- 3  Mobilité des pièces détachées. S'assurer que les pièces détachées ne sont pas en contact avec les pales du ventilateur.

- 4  Surface brûlante. Ne pas toucher.

Environment Statement

European Union - Disposal and Recycling Information

The symbol below means that according to local regulations your product and/or its battery shall be disposed of separately from domestic waste. If this product is end of life, take it to a recycling station designated by local authorities. At the time of disposal, the separate collection of your product and/or its battery will help save natural resources and ensure that the environment is sustainable development.

Die folgende Symbol bedeutet, dass Ihr Produkt und/oder seine Batterie gemäß den örtlichen Bestimmungen getrennt vom Hausmüll entsorgt werden muss. Wenden Sie sich an eine Recyclingstation, wenn dieses Produkt das Ende seiner Lebensdauer erreicht hat. Zum Zeitpunkt der Entsorgung wird die getrennte Sammlung von Produkt und/oder seiner Batterie dazu beitragen, natürliche Ressourcen zu sparen und die Umwelt und die menschliche Gesundheit zu schützen.

El símbolo de abajo indica que según las regulaciones locales, su producto y/o su batería deberán depositarse como basura separada de la doméstica. Cuando este producto alcance el final de su vida útil, llévelo a un punto limpio. Cuando llegue el momento de desechar el producto, la recogida por separado éste y/o su batería ayudará a salvar los recursos naturales y a proteger la salud humana y medioambiental.

Le symbole ci-dessous signifie que selon les réglementations locales votre produit et/ou sa batterie doivent être éliminés séparément des ordures ménagères. Lorsque ce produit atteint sa fin de vie, amenez-le à un centre de recyclage. Au moment de la mise au rebut, la collecte séparée de votre produit et/ou de sa batterie aidera à économiser les ressources naturelles et protéger l'environnement et la santé humaine.

Il simbolo sotto significa che secondo i regolamenti locali il vostro prodotto e/o batteria deve essere smaltito separatamente dai rifiuti domestici. Quando questo prodotto raggiunge la fine della vita di servizio portarlo a una stazione di riciclaggio. Al momento dello smaltimento, la raccolta separata del vostro prodotto e/o della sua batteria aiuta a risparmiare risorse naturali e a proteggere l'ambiente e la salute umana.

Symbolen innebär att enligt lokal lagstiftning ska produkten och/eller dess batteri kastas separat från hushållsavfallet. När den här produkten når slutet av sin livslängd ska du ta den till en återvinningsstation. Vid tiden för kasseringen bidrar du till en bättre miljö och mänsklig hälsa genom att göra dig av med den på ett återvinningsställe.



Environmental Product Declaration

<p>Български (Bulgarian)</p> <p>Екологична продуктова декларация</p> <p>RoHS Директива 2011/65/ЕО WEEE Директива 2012/19/ЕО PFOS Директива 84/532/ЕО REACH Регламент (ЕО) № 1907/2006 EPA Директива 2009/128/ЕО</p> <p>Име на фирмата: Richard Hsu / Quality Management Директор Service Manager Датум (dd/mm/yyyy): 01/10/2014</p> <p><i>Richard Hsu</i></p>	<p>Čeština (Czech)</p> <p>Environmentální prohlášení o produktu</p> <p>RoHS Směrnice 2011/65/EU WEEE Směrnice 2012/19/EU PFOS Směrnice 84/532/EJ REACH Nařízení (EÚ) č. 1907/2006 EPA Směrnice 2009/128/ES</p> <p>Ime firmy: Richard Hsu / Quality Management Dienar Service Manager Datum (dd/mm/yyyy): 01/10/2014</p> <p><i>Richard Hsu</i></p>	<p>Dansk (Danish)</p> <p>Miljøerklæring</p> <p>RoHS Direktiv 2011/65/EU WEEE Direktiv 2012/19/EU PFOS Direktiv 84/532/EØF REACH Forordning (EUF) nr. 1907/2006 EPA Direktiv 2009/128/EF</p> <p>Firma: Richard Hsu / Quality Management Dienar Service Manager Dato (dd/mm/yyyy): 01/10/2014</p> <p><i>Richard Hsu</i></p>	<p>Deutsch (German)</p> <p>Produkt-Umweltdeklaration</p> <p>RoHS Richtlinie 2011/65/EU WEEE Richtlinie 2012/19/EU PFOS Richtlinie 84/532/EWG REACH Verordnung (EG) Nr. 1907/2006 EPA Richtlinie 2009/128/EG</p> <p>Firma: Richard Hsu / Quality Management Dienar Service Manager Datum (dd/mm/yyyy): 01/10/2014</p> <p><i>Richard Hsu</i></p>
<p>Eesti keel (Estonian)</p> <p>Toote keskkonnamoeldustõendus</p> <p>RoHS Direktiiv 2011/65/EÜ WEEE Direktiiv 2012/19/EÜ PFOS Direktiiv 84/532/EÜ REACH Reguleerimisakt (EÜ) nr 1907/2006 EPA Direktiiv 2009/128/EÜ</p> <p>Firma: Richard Hsu / Quality Management Dienar Service Manager Kuupäev (dd/mm/yyyy): 01/10/2014</p> <p><i>Richard Hsu</i></p>	<p>English</p> <p>Environmental product declaration</p> <p>RoHS Directive 2011/65/EU WEEE Directive 2012/19/EU PFOS Directive 84/532/EU REACH Regulation (EC) No 1907/2006 EPA Directive 2009/128/EC</p> <p>Name: Richard Hsu / Quality Management Dienar Service Manager Date (dd/mm/yyyy): 01/10/2014</p> <p><i>Richard Hsu</i></p>	<p>Español (Spanish)</p> <p>Declaración Ambiental de Producto</p> <p>RoHS Directiva 2011/65/UE WEEE Directiva 2012/19/UE PFOS Directiva 84/532/CE REACH Reglamento (CE) nº 1907/2006 EPA Directiva 2009/128/CE</p> <p>Nombre: Richard Hsu / Quality Management Dienar Service Manager Fecha (dd/mm/yyyy): 01/10/2014</p> <p><i>Richard Hsu</i></p>	<p>Français (French)</p> <p>Produit environnemental de produit</p> <p>RoHS Directive 2011/65/UE WEEE Directive 2012/19/UE PFOS Directive 84/532/CE REACH Règlement (CE) n° 1907/2006 EPA Directive 2009/128/CE</p> <p>Nom: Richard Hsu / Quality Management Dienar Service Manager Date (dd/mm/yyyy): 01/10/2014</p> <p><i>Richard Hsu</i></p>
<p>Hrvatski (Croatian)</p> <p>Deklaracija o ekološkoj proizvodnji</p> <p>RoHS Direktiva 2011/65/EU WEEE Direktiva 2012/19/EU PFOS Direktiva 84/532/EU REACH Uredba (EZ) br. 1907/2006 EPA Direktiva 2009/128/EU</p> <p>Ime tvrtke: Richard Hsu / Quality Management Dienar Service Manager Datum (dd/mm/yyyy): 01/10/2014</p> <p><i>Richard Hsu</i></p>	<p>Italiano (Italian)</p> <p>Dichiarazione ambientale di prodotto</p> <p>RoHS Direttiva 2011/65/UE WEEE Direttiva 2012/19/UE PFOS Direttiva 84/532/CE REACH Regolamento (CE) n. 1907/2006 EPA Direttiva 2009/128/CE</p> <p>Firma: Richard Hsu / Quality Management Dienar Service Manager Data (dd/mm/yyyy): 01/10/2014</p> <p><i>Richard Hsu</i></p>	<p>Latviešu valoda (Latvian)</p> <p>Produkta vides ietekmējuma deklarācija</p> <p>RoHS Direktīva 2011/65/EU WEEE Direktīva 2012/19/EU PFOS Direktīva 84/532/EU REACH Regula (EK) Nr. 1907/2006 EPA Direktīva 2009/128/CE</p> <p>Nosaukums: Richard Hsu / Quality Management Dienar Service Manager Datums (dd/mm/yyyy): 01/10/2014</p> <p><i>Richard Hsu</i></p>	<p>Lietuvių kalba (Lithuanian)</p> <p>Aptinkiausias gamintojo deklarasija</p> <p>RoHS Direktyva 2011/65/ES WEEE Direktyva 2012/19/ES PFOS Direktyva 84/532/CE REACH Reguliavimo (ES) Nr. 1907/2006 EPA Direktyva 2009/128/ES</p> <p>Vardas: Richard Hsu / Quality Management Dienar Service Manager Data (dd/mm/yyyy): 01/10/2014</p> <p><i>Richard Hsu</i></p>
<p>Magyar (Hungarian)</p> <p>Környezetvédelmi terméknyilatkozat</p> <p>RoHS 2011/65/EU irányelv WEEE 2012/19/EU irányelv PFOS 84/532/EU irányelv REACH 1907/2006/EK rendelet EPA 2009/128/EK irányelv</p> <p>Név: Richard Hsu / Quality Management Dienar Service Manager Dátum (dd/mm/yyyy): 01/10/2014</p> <p><i>Richard Hsu</i></p>	<p>Malti (Maltese)</p> <p>Dikjarazzjoni Ambientali dwar il-Prodott</p> <p>RoHS Direttiva 2011/65/UE WEEE Direttiva 2012/19/UE PFOS Direttiva 84/532/CE REACH Regolazzjoni (CE) n. 1907/2006 EPA Direttiva 2009/128/CE</p> <p>Imen Nru: Richard Hsu / Quality Management Dienar Service Manager Data (dd/mm/yyyy): 01/10/2014</p> <p><i>Richard Hsu</i></p>	<p>Nederlands (Dutch)</p> <p>Milieuproductverklaring</p> <p>RoHS Richtlijn 2011/65/EU WEEE Richtlijn 2012/19/EU PFOS Richtlijn 84/532/EU REACH Verordening (EG) n. 1907/2006 EPA Richtlijn 2009/128/EG</p> <p>Handtekening: Richard Hsu / Quality Management Dienar Service Manager Datum (dd/mm/yyyy): 01/10/2014</p> <p><i>Richard Hsu</i></p>	<p>Polski (Polish)</p> <p>Deklaracja środowiskowa produktu</p> <p>RoHS Dyrektywa 2011/65/UE WEEE Dyrektywa 2012/19/UE PFOS Dyrektywa 84/532/CE REACH Rozporządzenie (WE) nr 1907/2006 EPA Dyrektywa 2009/128/UE</p> <p>Nazwisko: Richard Hsu / Quality Management Dienar Service Manager Data (dd/mm/yyyy): 01/10/2014</p> <p><i>Richard Hsu</i></p>
<p>Português (Portuguese)</p> <p>Declaração ambiental do produto</p> <p>RoHS Diretiva 2011/65/UE WEEE Diretiva 2012/19/UE PFOS Diretiva 84/532/CE REACH Regulamento (CE) nº 1907/2006 EPA Diretiva 2009/128/UE</p> <p>Nome: Richard Hsu / Quality Management Dienar Service Manager Data (dd/mm/yyyy): 01/10/2014</p> <p><i>Richard Hsu</i></p>	<p>Română (Romanian)</p> <p>Declarație de mediu privind produsul</p> <p>RoHS Directivă 2011/65/UE WEEE Directivă 2012/19/UE PFOS Directivă 84/532/CE REACH Regulamentul (CE) nr. 1907/2006 EPA Directivă 2009/128/UE</p> <p>Numele: Richard Hsu / Quality Management Dienar Service Manager Data (dd/mm/yyyy): 01/10/2014</p> <p><i>Richard Hsu</i></p>	<p>Slovenčina (Slovak)</p> <p>Výhlásenie o environmentálnom výrobku</p> <p>RoHS Smernica 2011/65/EU WEEE Smernica 2012/19/EU PFOS Smernica 84/532/EU REACH nariadenie (EÚ) č. 1907/2006 EPA Smernica 2009/128/ES</p> <p>Firma: Richard Hsu / Quality Management Dienar Service Manager Dátum (dd/mm/yyyy): 01/10/2014</p> <p><i>Richard Hsu</i></p>	<p>Slovenščina (Slovene)</p> <p>Okoljska deklaracija izdelka</p> <p>RoHS Direktiva 2011/65/UE WEEE Direktiva 2012/19/UE PFOS Direktiva 84/532/CE REACH Uredba (EÚ) št. 1907/2006 EPA Direktiva 2009/128/UE</p> <p>Ime: Richard Hsu / Quality Management Dienar Service Manager Datum (dd/mm/yyyy): 01/10/2014</p> <p><i>Richard Hsu</i></p>
<p>Suomi (Finnish)</p> <p>Standardin perusteella ympäristömoeldustõendus</p> <p>RoHS Direktiiv 2011/65/EU WEEE Direktiiv 2012/19/EU PFOS Direktiiv 84/532/EU REACH Asetus (EY) n:o 1907/2006 EPA Direktiiv 2009/128/EY</p> <p>Nimi: Richard Hsu / Quality Management Dienar Service Manager Ajankohta: Päivämäärä (dd/mm/yyyy): 01/10/2014</p> <p><i>Richard Hsu</i></p>	<p>Svenska (Swedish)</p> <p>Miljöproduktdeklaration</p> <p>RoHS Direktiv 2011/65/EU WEEE Direktiv 2012/19/EU PFOS Direktiv 84/532/EU REACH Förordning (EG) nr 1907/2006 EPA Direktiv 2009/128/ES</p> <p>Firma: Richard Hsu / Quality Management Dienar Service Manager Datum (dd/mm/yyyy): 01/10/2014</p> <p><i>Richard Hsu</i></p>	<p>Ελληνικά (Greek)</p> <p>Περιβαλλοντική δήλωση προϊόντος</p> <p>RoHS Οδηγία 2011/65/ΕΥ WEEE Οδηγία 2012/19/ΕΥ PFOS Οδηγία 84/532/ΕΥ REACH Κανονισμός (ΕΕ) αριθ. 1907/2006 EPA Οδηγία 2009/128/ΕΥ</p> <p>Εταιρεία: Richard Hsu / Quality Management Dienar Service Manager Ημερομηνία (dd/mm/yyyy): 01/10/2014</p> <p><i>Richard Hsu</i></p>	<p>Norsk (Norwegian)</p> <p>Miljøerklæring</p> <p>RoHS Direktiv 2011/65/UE WEEE Direktiv 2012/19/UE PFOS Direktiv 84/532/CE REACH Forordning (EUF) nr. 1907/2006 EPA Direktiv 2009/128/EF</p> <p>Navn: Richard Hsu / Quality Management Dienar Service Manager Dato (dd/mm/yyyy): 01/10/2014</p> <p><i>Richard Hsu</i></p>

台灣





安全警告 - 為了您的安全，請先閱讀以下警告及指示：

- 請勿將此產品接近水、火焰或放置在高溫的環境。
- 避免設備接觸
 - 任何液體 - 切勿讓設備接觸水、雨水、高濕度、污水腐蝕性的液體或其他水份。
 - 灰塵及污物 - 切勿接觸灰塵、污物、沙土、食物或其他不適合的材料。
- 雷雨天氣時，不要安裝，使用或維修此設備。有遭受電擊的風險。
- 切勿重摔或撞擊設備，並勿使用不正確的電源變壓器。
- 若接上不正確的電源變壓器會有爆炸的風險。
- 請勿隨意更換產品內的電池。
- 如果更換不正確之電池型式，會有爆炸的風險，請依製造商說明書處理使用過之電池。
- 請將廢電池丟棄在適當的電器或電子設備回收處。
- 請勿將設備解體。
- 請勿阻礙設備的散熱孔，空氣對流不足將會造成設備損害。
- 請插在正確的電壓供給插座（如：北美 / 台灣電壓 110V AC，歐洲是 230V AC）。
- 假若電源變壓器或電源變壓器的纜線損壞，請從插座拔除，若您還繼續插電使用，會有觸電死亡的風險。
- 請勿試圖修理電源變壓器或電源變壓器的纜線，若有毀損，請直接聯絡您購買的店家，購買一個新的電源變壓器。
- 請勿將此設備安裝於室外，此設備僅適合放置於室內。
- 請勿隨一般垃圾丟棄。
- 請參閱產品背貼上的設備額定功率。
- 請參考產品型錄或是彩盒上的作業溫度。
- 設備必須接地，接地導線不允許被破壞或沒有適當安裝接地導線，如果不確定接地方式是否符合要求可聯繫相應的電氣檢驗機構檢驗。
- 如果您提供的系統中有提供熱插拔電源，連接或斷開電源請遵循以下指導原則：
 - 先連接電源線至設備連，再連接電源。
 - 先斷開電源再拔除連接至設備的電源線。
 - 如果系統有多個電源，需拔除所有連接至電源的電源線再關閉設備電源。
- 產品沒有斷電裝置或者採用電源線的插頭視為斷電裝置的一部分，以下警語將適用：
 - 對永久連接之設備，在設備外部須安裝可觸及之斷電裝置；
 - 對插接式之設備，插座必須接近安裝之地點而且是易於觸及的。

About the Symbols

Various symbols are used in this product to ensure correct usage, to prevent danger to the user and others, and to prevent property damage. The meaning of these symbols are described below. It is important that you read these descriptions thoroughly and fully understand the contents.

Explanation of the Symbols

SYMBOL	EXPLANATION
	Alternating current (AC): AC is an electric current in which the flow of electric charge periodically reverses direction.
	Direct current (DC): DC if the unidirectional flow or movement of electric charge carriers.
	Earth; ground: A wiring terminal intended for connection of a Protective Earthing Conductor.
	Class II equipment: The method of protection against electric shock in the case of class II equipment is either double insulation or reinforced insulation.

Viewing Certifications

Go to <http://www.zyxel.com> to view this product's documentation and certifications.

Zyxel Limited Warranty

Zyxel warrants to the original end user (purchaser) that this product is free from any defects in material or workmanship for a specific period (the Warranty Period) from the date of purchase. The Warranty Period varies by region. Check with your vendor and/or the authorized Zyxel local distributor for details about the Warranty Period of this product. During the warranty period, and upon proof of purchase, should the product

have indications of failure due to faulty workmanship and/or materials, Zyxel will, at its discretion, repair or replace the defective products or components without charge for either parts or labor, and to whatever extent it shall deem necessary to restore the product or components to proper operating condition. Any replacement will consist of a new or re-manufactured functionally equivalent product of equal or higher value, and will be solely at the discretion of Zyxel. This warranty shall not apply if the product has been modified, misused, tampered with, damaged by an act of God, or subjected to abnormal working conditions.

Note

Repair or replacement, as provided under this warranty, is the exclusive remedy of the purchaser. This warranty is in lieu of all other warranties, express or implied, including any implied warranty of merchantability or fitness for a particular use or purpose. Zyxel shall in no event be held liable for indirect or consequential damages of any kind to the purchaser.

To obtain the services of this warranty, contact your vendor. You may also refer to the warranty policy for the region in which you bought the device at http://www.zyxel.com/web/support_warranty_info.php.

Registration

Register your product online at www.zyxel.com to receive email notices of firmware upgrades and related information.

Index

Numbers

10/100/1000 Mbps [8](#)

A

air circulation
 for cooling [12](#)
applications
 backbone [10](#)
 bridging [10](#)
 fiber uplink [10](#)
 PoE [9](#)
authorized technician
 install the Switch [12](#)
auto-MDIX port [21](#)
auto-negotiating ports [20](#)

C

Cabling Length [29](#)
CE EMC statement [37](#)
certifications
 viewing [45](#)
clearance
 Switch installation [12](#)
contact information
 customer support [31](#)
copyright [37](#)
crossover Ethernet cable [20](#)
customer support [31](#)

D

Data path loop [30](#)
disclaimer [37](#)

disposal and recycling information
 EU [39, 43](#)
dual personality interface [23](#)
dust plug [22](#)

E

EEE [8, 20](#)
electrical inspection authority [26](#)
electrician [26](#)
electrostatic discharge (ESD) [21](#)
Energy Efficient Ethernet [20](#)
Environment Statement [39, 43](#)
Ethernet port
 auto-crossover [20](#)
 auto-negotiating [20](#)

F

Faulty cables [29](#)
FCC interference statement [37, 41](#)
fiber cable
 connecting [22](#)
 removal [23](#)
freestanding installation
 precautions [13](#)
front panel [19](#)

G

gigabit ports [20](#)
grounding
 for safety [24](#)

H

hardware installation [12](#)
hardware overview [19](#)

I

IEEE 802.3az [20](#)
Innovation, Science and Economic Development
Canada ICES statement [37, 41](#)
installation
 air circulation [12](#)
 desktop [13](#)
 rack-mounting [16](#)
 transceiver [21](#)
 wall mounting [14](#)
installation requirements
 rack-mounting [14](#)
installation scenarios [12](#)

L

LED Descriptions
 LK/ACT [26](#)
 PWR [26](#)
Low Power Idle [20](#)
LPI signal [20](#)

M

management method [9](#)
MDIX (Media Dependent Interface Crossover) [21](#)
mounting brackets [17](#)

N

network applications [9](#)
network cable
 crossover [19](#)
 straight-through [19](#)

Network Cable Types [20](#)
Non-standard network cables [29](#)

O

overheating
 prevention [12](#)

P

PD [10](#)
power connections [26](#)
power connector [26](#)
power saving [20](#)
powered device [10](#)
product registration [46](#)

R

rack-mounting [16](#)
 installation requirements [16](#)
 precautions [17](#)
rear panel [23](#)
registration
 product [46](#)
Regulatory Notice and Statement [37](#)
rubber feet
 attach [13](#)

S

safety precautions
 using the Switch [13](#)
safety warnings [38, 42](#)
screw anchors
 using [15](#)
SFP/SFP+ slot [21](#)
Small Form-factor Pluggable (SFP) [21](#)
straight-through Ethernet cable [20](#)
Switch

fanless-type usage precaution [12](#)

fan-type usage precaution [12](#)

T

transceiver

connection speed [21](#)

installation [21](#)

removal [22](#)

transceiver MultiSource Agreement (MSA) [21](#)

transceivers [21](#)

Troubleshooting

Improper Network Cabling and Topology [29](#)

U

uplink connection

super-fast [10](#)

V

ventilation holes [12](#)

W

wall mounting [14](#)

distance above the floor [14](#)

distance between holes [14](#)

warranty [45](#)

note [46](#)