

DAILY REFERENCE GUIDE



THANK YOU FOR BUYING A HOTPOINT ARISTON PRODUCT.

In order to receive a more complete assistance, please register your appliance on: www.hotpoint.eu/register

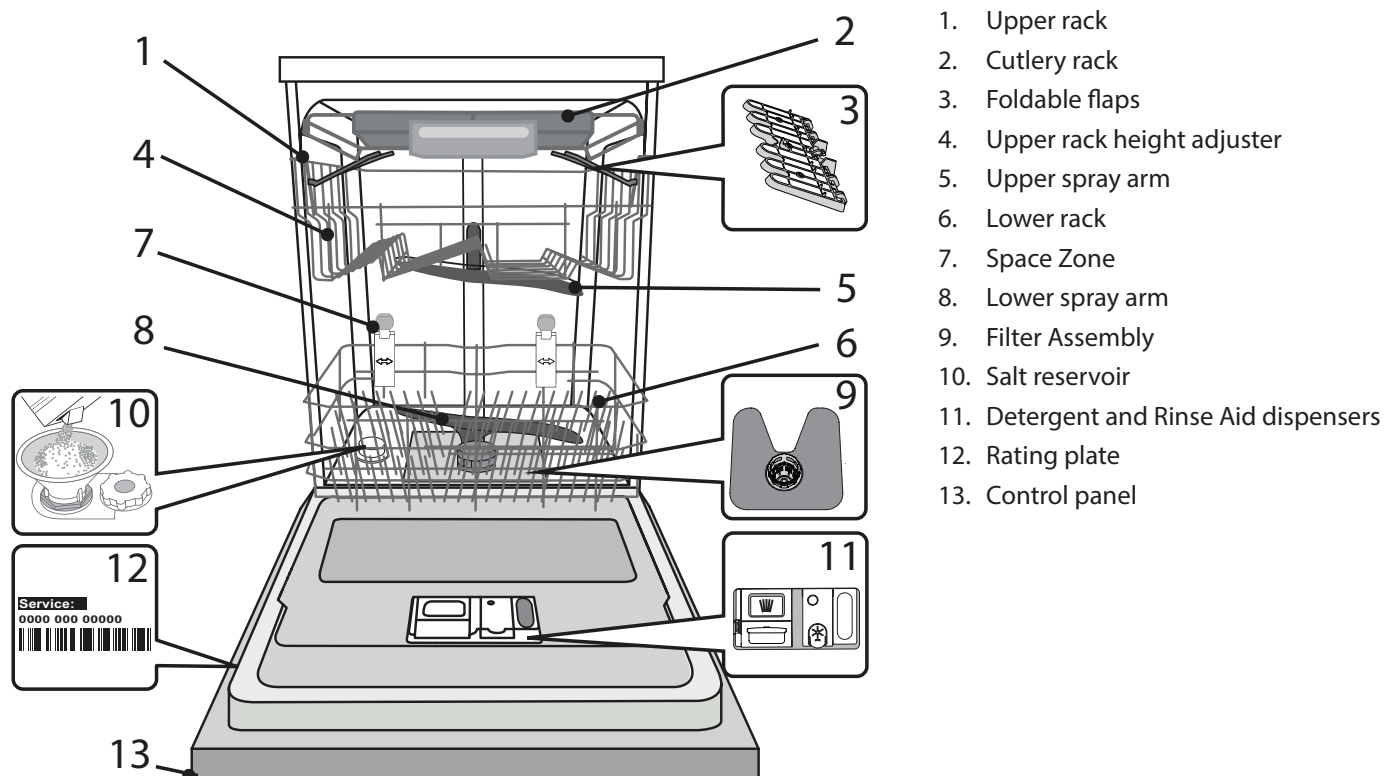


You can download the Safety Instructions and the User Manual, by visiting our website docs.hotpoint.eu and following the Instructions on the back of this booklet.

Before using the appliance carefully read Safety Instructions guide.

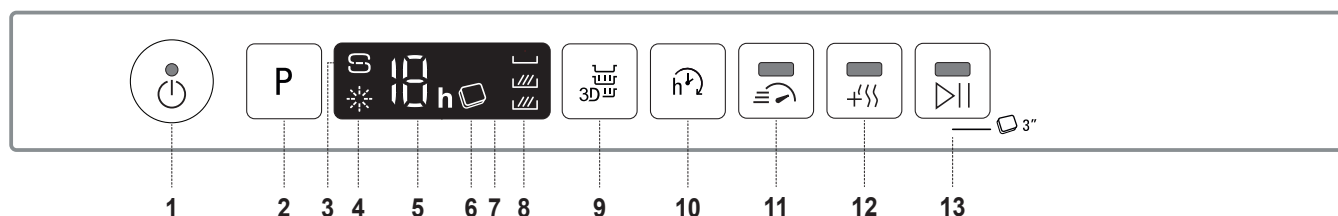
PRODUCT DESCRIPTION

APPLIANCE



1. Upper rack
2. Cutlery rack
3. Foldable flaps
4. Upper rack height adjuster
5. Upper spray arm
6. Lower rack
7. Space Zone
8. Lower spray arm
9. Filter Assembly
10. Salt reservoir
11. Detergent and Rinse Aid dispensers
12. Rating plate
13. Control panel

CONTROL PANEL



1. On-Off/Reset button with indicator light
2. Program selection button
3. Salt refill indicator light
4. Rinse Aid refill indicator light
5. Program number and delay time indicator
6. Tablet indicator light
7. Display
8. Zone Wash 3D indicator lights
9. Zone Wash 3D button
10. Delay button
11. Short Time button with indicator light
12. Extra Dry button with indicator light
13. Start/Pause button with indicator light / Tab

FIRST TIME USE

SALT, RINSE AID AND DETERGENT


ADVICE REGARDING THE FIRST TIME USE

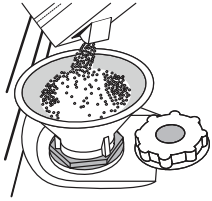
After installation, remove the stoppers from the racks and the retaining elastic elements from the upper rack.

FILLING THE SALT RESERVOIR

The use of salt prevents the formation of LIMESCALE on the dishes and on the machine's functional components.

- It is mandatory that **THE SALT RESERVOIR NEVER BE EMPTY.**
- It is important to set the water hardness.

The salt reservoir is located in the lower part of the dishwasher (see *PRODUCT DESCRIPTION*) and must be filled when the **SALT REFILL indicator light**  in the control panel is lit.



1. Remove the lower rack and unscrew the reservoir cap (anticlockwise).
2. **Only the first time you do this: fill the salt reservoir with water.**
3. Position the funnel (see figure) and fill the salt reservoir right up to its edge (approximately 1 kg); it is not unusual for a little water to leak out.
4. Remove the funnel and wipe any salt residue away from the opening.

Make sure the cap is screwed on tightly, so that no detergent can get into the container during the wash program (this could damage the water softener beyond repair).

Whenever you need to add salt, it is mandatory to complete the procedure before the beginning of the washing cycle to avoid corrosion.

SETTING THE WATER HARDNESS

To allow the water softener to work in a perfect way, it is essential that the water hardness setting is based on the actual water hardness in your house. This information can be obtained from your local water supplier.

The factory sets the default value for the water hardness.

- Switch on the appliance by pressing the **ON/OFF** button.
- Switch off the appliance by pressing the **ON/OFF** button.
- Hold down button **P** for 5 seconds, until you hear a beep.
- Switch on the appliance by pressing the **ON/OFF** button.
- The current selection level number and the salt indicator light both flash.
- Press button **P** to select the desired hardness level (see *WATER HARDNESS TABLE*).

Water Hardness Table				
Level		°dH German degrees	°fH French degrees	°Clark English degrees
1	Soft	0 - 6	0 - 10	0 - 7
2	Medium	7 - 11	11 - 20	8 - 14
3	Average	12 - 16	21 - 29	15 - 20
4	Hard	17 - 34	30 - 60	21 - 42
5	Very hard	35 - 50	61 - 90	43 - 62

- Switch off the appliance by pressing the **ON/OFF** button.

Setting is complete!

As soon as this procedure is complete, run a program without loading.


Only use salt that has been specifically designed for dishwashers.

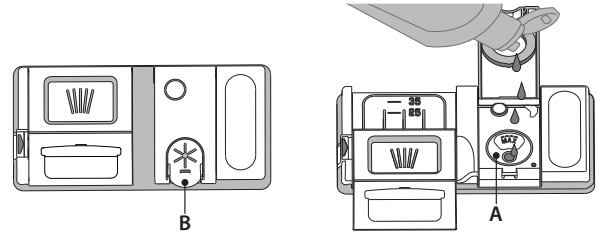
After the salt has been poured into the machine, the SALT REFILL indicator light switches off.

If the salt container is not filled, the water softener and the heating element may be damaged as a result of limescale accumulation.

Using of Salt is recommended with any type of dishwasher detergent.

FILLING THE RINSE AID DISPENSER

Rinse aid makes dish DRYING easier. The rinse aid dispenser **A** should be filled when the **RINSE AID REFILL indicator light**  in the control panel is lit.



1. Open the dispenser **B** by pressing and pulling up the tab on the lid.
 2. Pour in the rinse aid (max.110 ml), making sure it does not overflow from the dispenser. If this happens, clean the spill immediately with a dry cloth.
 3. Press the lid down until you hear a click to close it.
- NEVER pour the rinse aid directly into the appliance tub.**

ADJUSTING THE DOSAGE OF RINSE AID

If you are not completely satisfied with the drying results, you can adjust the quantity of rinse aid used.

- Switch the dishwasher on using the **ON/OFF** button.
- Switch it off using the **ON/OFF** button.
- Press button **P** three times - a beep will be heard.
- Switch it on using the **ON/OFF** button.
- The current selection level number and rinse aid indicator light flash.
- Press button **P** to select the level of rinse aid quantity to be supplied.
- Switch it off using the **ON/OFF** button

Setting is complete!

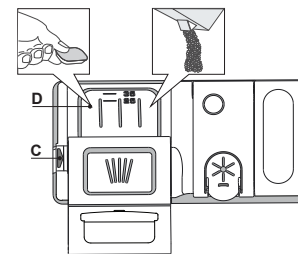
If the rinse aid level is set to ZERO (ECO), no rinse aid will be supplied. The LOW RINSE AID indicator light will not be lit if you run out of rinse aid.

A maximum of 5 levels can be set according to the dishwasher model. The factory setting is specific to the model, please follow instruction above to check this for your machine.

- If you see bluish streaks on the dishes, set a low number (1-2).
- If there are drops of water or limescale marks on the dishes, set a mid-range number (3-4).

FILLING THE DETERGENT DISPENSER

To open the detergent dispenser use the opening device C. Introduce the detergent into the dry dispenser D only. Place the amount of detergent for pre-washing directly inside the tub.



1. When measuring out the detergent refer to the mentioned earlier information to add the proper quantity. Inside the dispenser **D** there are indications to help the detergent dosing.
2. Remove detergent residues from the edges of the dispenser and close the cover until it clicks.
3. Close the lid of the detergent dispenser by pulling it up until the closing device is secured in place.

The detergent dispenser automatically opens up at the right time according to the program.

If all-in-one detergents are used, we recommend using the **TABLET** button, because it adjusts the program so that the best washing and drying results are always achieved.

Usage of detergent not designed for dishwashers may cause malfunction or damage to the appliance.

PROGRAMS TABLE

Program	Drying phase	ActiveDry	Available options *)	Duration of wash program (h:min)**)	Water consumption (litres/cycle)	Energy consumption (kWh/cycle)	
1 Eco	50°	✓	✓	h↓	3:10	9,5	0,83
2 Auto Intensive	A 65°	✓	✓	3D h↓	2:00 - 3:10	14,0 - 17,0	1,50 - 1,85
3 Auto Mixed	A 55°	✓	✓	3D h↓	1:30 - 2:30	14,5 - 16,0	1,15 - 1,30
4 Auto Fast Wash	A 50°	-	-	h↓	0:55 - 1:20	13,0 - 14,5	1,15 - 1,25
5 Rapid 30'	50°	-	-	3D h↓	0:30	9,0	0,50
6 Good Night	50°	✓	✓	h↓	3:30	15,0	1,15
7 Sanitizing	65°	✓	-	h↓	1:40	10,0	1,30
8 Soak	-	-	-	3D h↓	0:12	4,5	0,01
9 Self-Clean	65°	-	-	h↓	0:50	8,0	0,85

ECO program data is measured under laboratory conditions according to European Standard EN 60436:2019.

Note for Test Laboratories:

For information on comparative EN testing conditions, please send an email to the following address: dw_test_support@whirlpool.com

Pre-treatment of the dishes is not needed before any of the programs.

*) Not all options can be used simultaneously.

***) Values given for programs other than the program Eco are indicative only. The actual time may vary depending on many factors such as temperature and pressure of the incoming water, room temperature, amount of detergent, quantity and type of load, load balancing, additional selected options and sensor calibration. The sensor calibration can increase program duration up to 20 min.

PROGRAMS DESCRIPTION

Instructions on wash cycle selection.

1 ECO

Eco programme is suitable to clean normally soiled tableware, that for this use, it is the most efficient programme in terms of its combined energy and water consumption, and that it is used to assess compliance with the EU Ecodesign legislation.

2 AUTO INTENSIVE

Automatic program for heavily soiled dishes and pans (not to be used for delicate items).

3 AUTO MIXED

Automatic program for normally soiled pans and dishes.

4 AUTO FAST WASH

Automatic program for limited quantity of normally soiled crockery. Ensures optimal cleaning performance in shorter time.

5 RAPID 30'

Program to be used for half load of lightly-soiled dishes with no dried food residues. Does not include drying phase.

6 GOOD NIGHT

Suitable for night-time operation of the appliance. Ensures optimal cleaning and drying performance with the lowest noise emission.

7 SANITIZING

Normally or heavily soiled crockery, with additional antibacterial wash. Can be used to perform maintenance of the dishwasher.

8 SOAK

Use to refresh crockery planned to be washed later. No detergent to be used with this program.

9 SELF-CLEAN

Program to be used to perform maintenance of the dishwasher, to be carried out only when the dishwasher is EMPTY using specific detergents designed for dishwasher maintenance.

Notes:

Please note that cycle *Rapid 30'* is dedicated for lightly soiled dishes.

OPTIONS AND FUNCTIONS

OPTIONS can be selected directly by pressing the corresponding button (see CONTROL PANEL).

If an option is not compatible with the selected program see PROGRAMS TABLE, the corresponding LED flashes rapidly 3 times and beeps will sound. The option will not be enabled.

ZONE WASH 3D

Option works with one rack at once. In particular, we recommend to use it with Mixed and Intensive cycles - thanks to the additional 3D water jets placed on the bottom of the cavity, ZONE WASH 3D option allows to save energy or to increase the washing performance of the dishwasher:

- ZONE WASH 3D + MIXED CYCLE: it allows to reduce energy consumption up to 40%.
- ZONE WASH 3D + INTENSIVE CYCLE: it increases the washing performances up to 40%. Ideal for very soiled mixed loads, e.g. pans and saucepans, dishes with heavy encrustation or difficult-to-clean crockery (grater, vegetable mill, dirty cutlery).

How to activate the option:

1. Select a compatible cycle
2. By default the appliance washes dishes in all racks. To wash only the specific rack, press this button repeatedly:



shown on the display (only lower rack)



shown on the display (only upper rack)



shown on the display (only cutlery rack)



shown on the display (option is OFF and the appliance will wash dishes in all racks).

Remember to load the upper or lower rack only, and to reduce the amount of detergent accordingly.

If upper rack is removed, please apply detergent directly to tub instead of detergent dispenser.

DELAY

The start time of the program may be delayed for a period of time between **1** and **12** hours.

1. Press the DELAY button: the corresponding «h» symbol appears on the display; each time you press the button, the time (1h, 2h, etc. up to max. 12h) from the start of the selected wash cycle will be increased.
2. Select the wash program, press the START/Pause button and within 4 seconds close the door: the timer will begin counting down.
3. Once this time has elapsed, the indicator light «h» switches off and the wash cycle begins.

To adjust the delay time and select a shorter period of time, press the DELAY button. To cancel it, press the button repeatedly until the selected delayed start indicator light «h» switches off.

The DELAY function cannot be set once a wash cycle has been started.

TABLET (Tab)

This setting allows you to optimize the performance of the program according to the type of detergent used. Press the START/Pause button for 3 seconds (the corresponding symbol will light up) if you use combined detergents in tablet form (rinse aid, salt and detergent in 1 dose).

If you use powder or liquid detergent, this option should be off.

SHORT TIME

This option can be used to reduce the duration of the main programs while maintaining the same washing and drying performance levels.

After selecting the program, press the SHORTTIME button and the indicator light will switch on. To deselect the option, press the same button again.

EXTRA DRY

To improve the drying of the dishes, after selecting the program, press the EXTRA DRY button and the indicator light comes on. A higher temperature during the final rinse and an extended drying phase allow for improving drying. To deselect the option, press the same button again. The EXTRA DRY option results in the lengthening of the wash cycle.

OPERATION INDICATOR

A LED light projected on the floor indicates that the dishwasher is working. One of the following operating modes can be selected:

- a) Disabled function.
- b) When the cycle starts the light goes on for few seconds, stays off during the cycle and flashes at the end of the cycle.
- c) The light stays on during the cycle and flashes at the end of the cycle (default mode).

If the delayed start was set, the light goes on either for the first few seconds or the entire duration of the countdown, based on whether mode b) or c) was set.

The light goes off every time the door is opened. To select the mode you prefer, switch on the machine, hold down button **P** until one of the three letters appears on the display, press button **P** until you reach the desired letter (or mode), hold down button **P** to confirm the selection.

Note: If ActiveDry is active and it opens the door, then Operation Indicator will not flash at the end of cycle.

ActiveDry

ActiveDry is a convection drying system which automatically opens the door during/after drying phase to ensure exceptional drying performance every day. Door opens at the temperature that is safe to your kitchen furniture, thus door will not be opened when the option of SHORT TIME is on.

As additional steam protection, special designed protection foil is added together with the dishwasher. To see how to mount protection foil (please refer to INSTALLATION GUIDE).

ActiveDry functionality could be disabled by the user as follows:

1. Go to the Dishwasher software menu pressing and holding **P** button (6 sec).
2. You are currently in Light Control Menu (please refer to OPERATION INDICATOR description), if you don't want to change anything please press and hold **P** button (until one of the two letters appears on the display).
3. You switched to ActiveDry Control Menu, you could change status of ActiveDry functionality by pressing **P** button:

E – enabled **d** – disabled

To confirm the change and exit from the Control Menu please press and hold **P** button (3 sec).

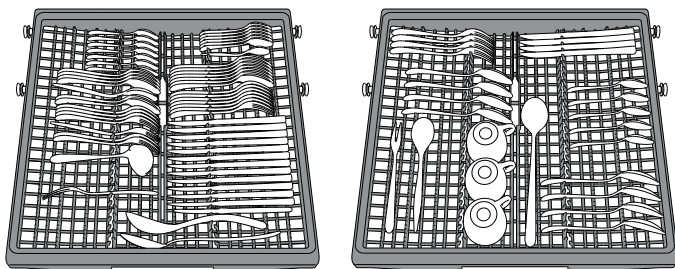
LOADING THE RACKS

CUTLERY RACK

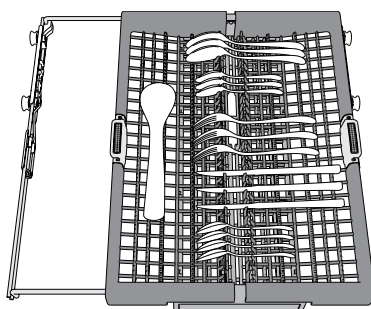
The third rack was designed to house the cutlery.

Arrange the cutlery as shown in the figure.

A separate arrangement of the cutlery makes collection easier after washing and improves washing and drying performance.



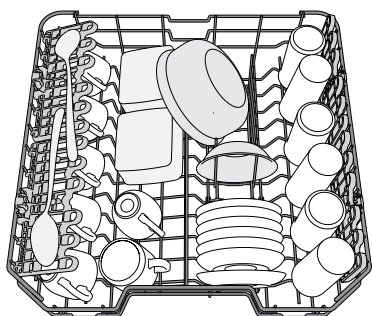
The geometry of the rack makes it possible to place such small items as coffee cups in the area in the middle.



The cutlery basket is equipped with two sliding side trays to make the most of the height of the space below and enable the loading of high items into upper racks.

Knives and other utensils with sharp edges must be positioned with the blades facing downwards.

UPPER RACK



(loading example for the upper rack)

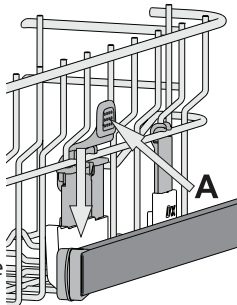
Load delicate and light dishes: glasses, cups, saucers, low salad bowls.

The upper rack has tip-up supports which can be used in a vertical position when arranging tea/ dessert saucers or in a lower position to load bowls and food containers.

ADJUSTING THE HEIGHT OF THE UPPER RACK

The height of the upper rack can be adjusted: high position to place bulky crockery in the lower basket and low position to make the most of the tip-up supports by creating more space upwards and avoid collision with the items loaded into lower rack.

The upper rack is equipped with a **Upper Rack height adjuster** (see figure), without pressing the levers, lift it up by simply holding the rack sides, as soon as the rack is stable in its upper position. To restore to the lower position, press the levers **A** at the sides of the rack and move the basket downwards.



We strongly recommend that you do not adjust the height of the rack when it is loaded.

NEVER raise or lower the basket on one side only.

FOLDABLE FLAPS WITH ADJUSTABLE POSITION

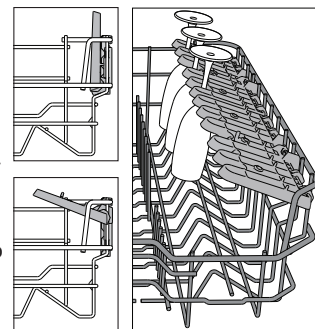
The side foldable flaps can be fold or unfold to optimize the arrangement of crockery inside the rack.

Wine glasses can be placed safely in the foldable flaps by inserting the stem of each glass into the corresponding slots.

Depending on the model:

- to unfold the flaps there is needed to slide it up and rotate or release it from the snaps and pull it down.

- to fold the flaps there is needed to rotate it and slide flaps down or pull it up and attach flaps to the snaps.



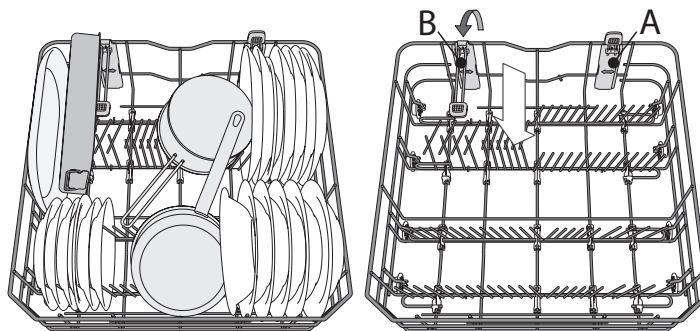
LOWER RACK

For pots, lids, plates, salad bowls, cutlery etc. Large plates and lids should ideally be placed at the sides to avoid interferences with the spray arm.

The lower rack has tip-up supports which can be used in a vertical position when arranging plates or in a horizontal position (lower) to load pans and salad bowls easily.

The lower rack has a **Space Zone A** (only available in selected models with different numbers), a special pull-out support in the rear of the rack that can be used to support frying pans or baking pans in upright position, thus taking up less space.

In order to use it, just get hold of the coloured grip and pull it upwards **B** while rotating it forward. The supports can slide right and left to fit the size of the crockery.

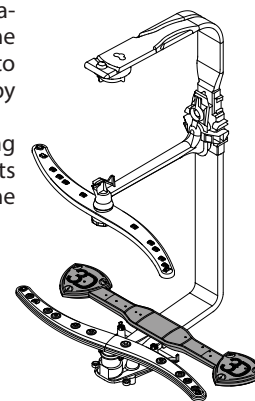


(loading example for the lower rack)

ZONE WASH 3D

Zone Wash 3D uses additional water jets located both: in the lower and upper part of the dishwasher (marked with orange color) to wash more intensively heavily soiled items by increasing water coverage on dishes.

Example: Load pots and casseroles facing lower part of Zone Wash 3D components and activate the 3D Zone Wash option on the panel.



DAILY USE

1. CHECK WATER CONNECTION

Check that the dishwasher is connected to the water supply and that the tap is open.

2. SWITCH ON THE DISHWASHER

Open the door and press the **ON/OFF** button.

3. LOAD THE RACKS (see *LOADING THE RACKS*).

4. FILLING THE DETERGENT DISPENSER

5. CHOOSE THE PROGRAM AND CUSTOMISE THE CYCLE

Select the most appropriate program in accordance with the type of crockery and its soiling level (see *PROGRAMS DESCRIPTION*) by pressing the **P** button.

Select the desired options (see *OPTIONS AND FUNCTIONS*).

6. START

Start the wash cycle by pressing **START/Pause** button (led is lit) and closing the door within 4 sec. When the program starts you hear a single beep. If the door was not closed within 4sec., the alarm sound will be played. In this case, open the door, press **START/Pause** button and close the door again within 4 sec.

7. END OF WASH CYCLE

The end of the wash cycle is indicated by beeps and by the flashing of the wash cycle number on the display. Open the door and switch off the appliance by pressing the **ON/OFF** button.

Wait for a few minutes before removing the crockery - to avoid burns. Unload the racks, beginning with the lower one.

The machine will switch off automatically during certain extended periods of inactivity, in order to minimise electricity consumption. If the crockery is only lightly soiled or if it has been rinsed with water before being placed in the dishwasher, reduce the amount of detergent used accordingly.

MODIFYING A RUNNING PROGRAM

If a wrong program was selected, it is possible to change it, provided that it has only just begun: open the door, press and hold the **ON/OFF** button, the machine will switch off.

Switch the machine back on using the **ON/OFF** button and select the new wash cycle and any desired options; Start the wash cycle by pressing **START/Pause** button (led is lit) and closing the door within 4 sec.

ADDING EXTRA CROCKERY

Without switching off the machine, open the door (**START/Pause** led starts blinking) (**be ware of HOT steam!**) and place the crockery inside the dishwasher. Press the **START/Pause** button and close the door within 4 sec., the cycle will resume from the point at which it was interrupted.

ACCIDENTAL INTERRUPTIONS

If the door is opened during the wash cycle, or if there is a power cut, the cycle stops. Press the **START/Pause** button and close the door within 4 sec., the cycle will resume from the point at which it was interrupted.

ADVICE AND TIPS

TIPS

Before loading the baskets, remove all food residues from the crockery and empty the glasses. **You do not need to rinse beforehand under running water.**

Arrange the crockery so that it is held in place firmly and does not tip over; and arrange the containers with the openings facing downwards and the concave/convex parts placed obliquely, thus allowing the water to reach every surface and flow freely.

Warning: lids, handles, trays and frying pans do not prevent the sprayer arms from rotating.

Place any small items in the cutlery basket.

Very soiled dishes and pans should be placed in the lower basket because in this sector the water sprays are stronger and allow a higher washing performance.

After loading the appliance, make sure that the sprayer arms can rotate freely.

UNSUITABLE CROCKERY

- Wooden crockery and cutlery.
- Delicate decorated glasses, artistic handicraft and antique crockery. Their decorations are not resistant.
- Parts in synthetic material which do not withstand high temperatures.
- Copper and tin crockery.
- Crockery soiled with ash, wax, lubricating grease or ink.

The colours of glass decorations and aluminium/silver pieces can change and fade during the washing process. Some types of glass (e.g. crystal objects) can become opaque after a number of wash cycles too.

DAMAGE TO GLASS AND CROCKERY

- Only use glasses and porcelain guaranteed by the manufacturer as dishwasher safe.
- Use a delicate detergent suitable for crockery
- Collect glasses and cutlery from the dishwasher as soon as the wash cycle is over.

TIPS ON ENERGY SAVING

- When the household dishwasher is used according to the manufacturer's instructions, **washing tableware in a dishwasher usually consumes less energy and water than hand dishwashing.**
- In order to maximize dishwasher efficiency it is recommended to **initiate the wash cycle once dishwasher is fully loaded.** Loading the household dishwasher up to the capacity indicated by the manufacturer will contribute to energy and water savings. Information on correct loading of tableware can be found in Loading chapter. In case of partial loading it is recommended to use dedicated wash options if available (Half load/ Zone Wash, Multizone), filling up only selected racks. Incorrect loading or overloading the dishwasher may increase resources usage (such as water, energy and time, as well as increase noise level), reducing cleaning and drying performance.
- Manual pre-rinsing of tableware items leads to increased water and energy consumption and is not recommended.

HYGIENE

To avoid odour and sediment which can be accumulated in the dishwasher **please run a high temperature program at least one a month.** Use a tea spoon of detergent and run it without the loading to clean your appliance.

CARE AND MAINTENANCE

CLEANING THE FILTER ASSEMBLY

Regularly clean the filter assembly so that the filters do not clog and that the waste water flows away correctly.

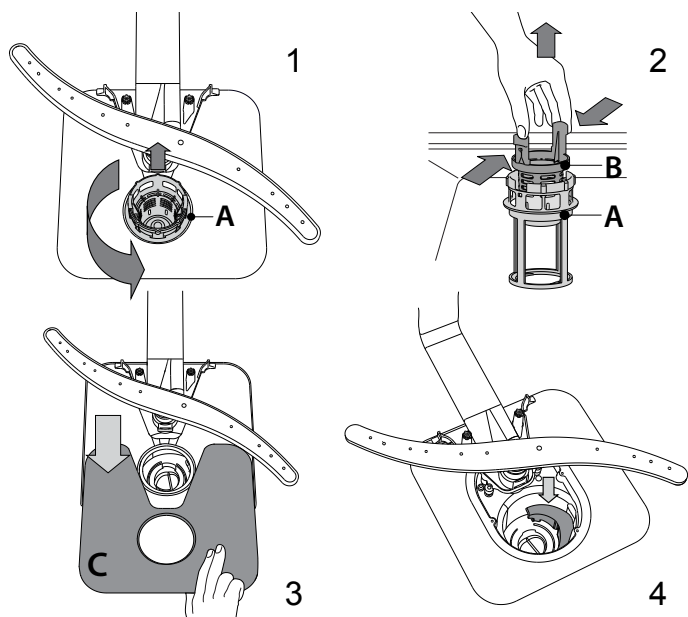
Using dishwasher with clogged filters or foreign objects inside filtration system or sprayarms may cause unit malfunction resulting in lose of performance, noisy work or higher resources usage.

The filter assembly consists of three filters which remove food residues from the washing water and then recirculate the water.

The dishwasher must not be used without filters or if the filter is loose.

At least once per month or after each 30 cycles, check the filter assembly and if necessary clean it thoroughly under running water, using a non-metallic brush and following the instructions below:

1. Turn the cylindrical filter **A** in an anti-clockwise direction and pull it out (Fig 1).
2. Remove the cup filter **B** by exerting a slight pressure on the side flaps (Fig 2).
3. Slide out the stainless-steel plate filter **C** (Fig 3).
4. In case you find foreign objects (such as broken glass, porcelain, bones, fruit seeds etc.) **please remove them carefully**.
5. Inspect the trap and remove any food residues. **NEVER REMOVE** the wash-cycle pump protection (black detail) (Fig 4).



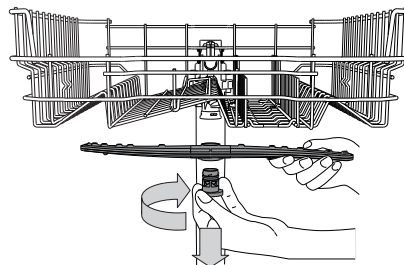
After cleaning the filters, re-place the filter assembly and fix it in position correctly; this is essential for maintaining the efficient operation of the dishwasher.

CLEANING THE WATER INLET HOSE

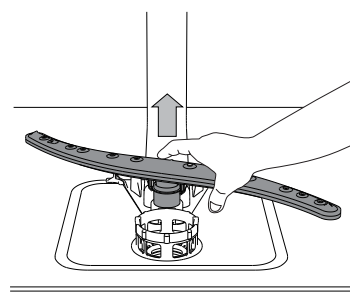
If the water hoses are new or have not been used for an extended period of time, let the water run to make sure it is clear and free of impurities before performing the necessary connections. If this precaution is not taken, the water inlet could become blocked and damage the dishwasher.

CLEANING THE SPRAY ARMS

On occasions, food residue may become encrusted onto the spray arms and block the holes used to spray the water. It is therefore recommended that you check the arms from time to time and clean them with a small non-metallic brush.



To remove the upper spray arm, turn the plastic locking ring in an clockwise direction. The upper spray arm should be replaced so that the side with the greater number of holes is facing upwards.



The lower spray arm may be removed by pulling it upwards.

WATER SOFTENING SYSTEM

Water softener automatically reduces water hardness, consequently preventing scale buildup on heater, contributing also to better cleaning efficiency.

This system regenerates itself with salt, therefore it is required to refill salt container when empty.



Frequency of regeneration depends on water hardness level setting - regeneration takes place once per **6** Eco cycles with water hardness level set to **3**.

Regeneration process starts in final rinse and finishes in drying phase, before cycle ends.

- Single regeneration consumes: ~3.5L of water;
- Takes up to 5 additional minutes for the cycle;
- Consumes below 0.005kWh of energy.

TROUBLESHOOTING

In case your dishwasher doesn't work properly, check if the problem can be solved by going through the following list. For other errors or issues please contact authorized After-sales Service which contact details can be found in the warranty booklet. Spare parts will be available for a period of either up to 7 or up to 10 years, according to the specific Regulation requirements.

PROBLEMS	POSSIBLE CAUSES	SOLUTIONS
 Salt indicator is lit	Salt reservoir is empty. (After refill the salt indicator may remain lit for several wash cycles).	Refill reservoir with salt (for more information - see page 2). Adjust water hardness - see table, page 2.
 Rinse aid indicator is lit	Rinse aid dispenser is empty. (After refill the rinse aid indicator may remain lit for several wash cycles).	Refill dispenser with rinse aid (for more information - see page 2).
The dishwasher won't start or does not respond to commands.	The appliance has not been plugged in properly.	Insert the plug into the socket.
	Power outage.	For safety reasons, dishwasher will not re-start automatically when power returns. Open dishwasher door, press START/Pause button and close the door within 4 seconds.
	The dishwasher door is not closed. ActiveDry pin is not pulled in.	Vigorously push the door until you hear the "click".
	Cycle is interrupted by door opening for more than 4 seconds.	Press START/Pause and close the door within 4 seconds.
The dishwasher won't drain. Display shows: 3 and On/Off LED is blinking rapidly	It does not respond to commands. Display shows: 9 or 12 and On/Off LED is blinking rapidly	Switch off the appliance by pressing the ON/OFF button, switch it back on after approximately one minute and restart the program. If problem persists, unplug the appliance for 1 minute, then plug it back in.
	The wash cycle has not finished yet.	Wait until the wash cycle finishes.
The dishwasher makes excessive noise.	The drain hose is bent.	Check that the drain hose is not bent (see <i>INSTALLATION INSTRUCTION</i>).
	The sink drain pipe is blocked.	Clean the sink drain pipe.
	The filter is clogged up with food residues.	Clean the filter (see <i>CLEANING THE FILTER ASSEMBLY</i>).
The dishes are not clean.	The dishes are rattling against each other.	Position the crockery correctly (see <i>LOADING THE RACKS</i>).
	An excessive amount of foam has been produced.	The detergent has not been measured out correctly or it is not suitable for use in dishwashers (see <i>FILLING THE DETERGENT DISPENSER</i>). Restart the current cycle by switching OFF the dishwasher, then switch it on again, select a new program, press START/Pause and close the door within 4 seconds. Please do not add any detergent.
The dishes are not clean.	The crockery has not been arranged properly.	Arrange the crockery correctly (see <i>LOADING THE RACKS</i>).
	The spray arms cannot rotate freely, being hindered by the dishes.	Arrange the crockery correctly (see <i>LOADING THE RACKS</i>).
	The wash cycle is too gentle.	Select an appropriate wash cycle (see <i>PROGRAMS TABLE</i>).
	An excessive amount of foam has been produced.	The detergent has not been measured out correctly or it is not suitable for use in dishwashers (see <i>FILLING THE DETERGENT DISPENSER</i>).
	The cap on the rinse aid compartment has not been shut correctly.	Make sure the cap of the rinse aid dispenser is closed.
	The filter is soiled or clogged.	Clean the filter assembly (see <i>CARE AND MAINTENANCE</i>).
	There is no salt.	Fill the salt reservoir (see <i>FILLING THE SALT RESERVOIR</i>).
The dishwasher does not fill the water. Display shows: H , 6 and On/Off LED is blinking rapidly	No water in the water supply or the tap is closed.	Make sure there is water in the water supply or the tap running.
	The inlet hose is bent.	Make sure the inlet hose is not bent (see <i>INSTALLATION</i>) reprogram the dishwasher and reboot.
	The sieve in the water inlet hose is clogged; it is necessary to clean it	After having carried out the verification and cleaning, turn off and turn on the dishwasher and restart a new program.
Dishwasher finishes the cycle prematurely. Display shows: 15 and On/Off LED is blinking rapidly	Drain hose positioned too low or siphoning into home sewage system.	Check if end of drain hose is placed at correct height (see <i>INSTALLATION</i>). Check for siphoning into home sewage system, install air admittance valve if necessary.
	Air in water supply.	Check water supply for leaks or other issues letting air inside.



Policies, standard documentation, ordering of spare parts and additional product information can be found by:

- Using QR code and visiting our website: docs.hotpoint.eu
- Visiting our website: parts-selfservice.whirlpool.com
- Alternatively, **contact our After-sales Service** (See phone number in the warranty booklet).
When contacting our After-sales Service, please state the codes provided on your product's identification plate.



The model information can be retrieved using the QR-Code reported in the energy label. The label also includes the model identifier that can be used to consult the portal of the registry at <https://eprel.ec.europa.eu>.

400011644356B

08/2023 jk - Xerox Fabriano



GUÍA DE REFERENCIA DIARIA



GRACIAS POR COMPRAR UN PRODUCTO HOTPOINT ARISTON. Si desea recibir un servicio más completo, registre su aparato en: www.hotpoint.eu/register

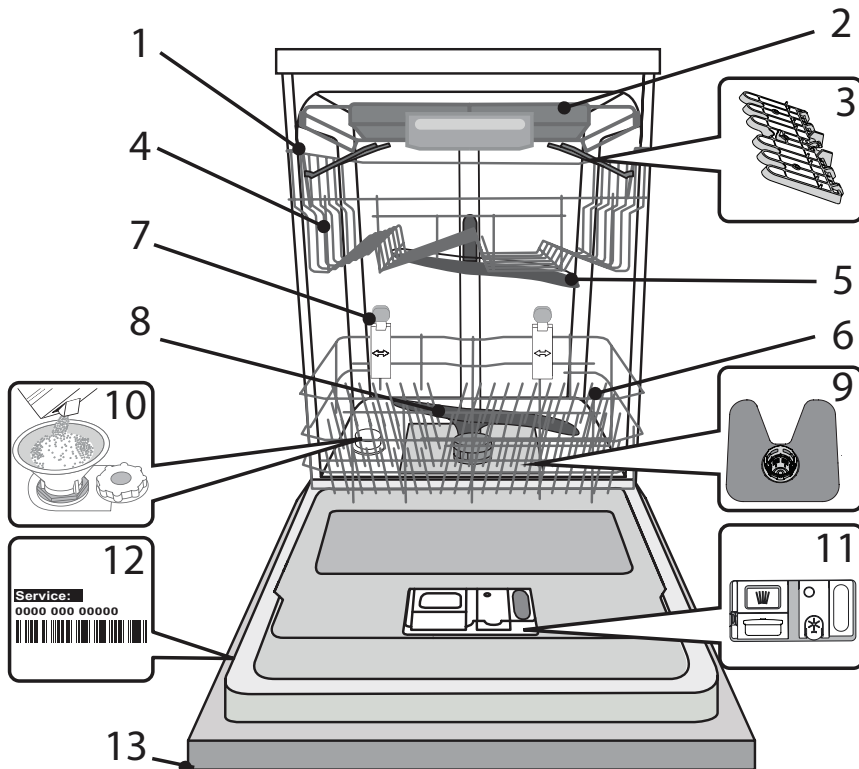


Puede descargar las Instrucciones de seguridad y el Manual de usuario, visitando nuestro sitio web docs.hotpoint.eu y siguiendo las instrucciones de la parte trasera de este folleto.

Antes de usar el electrodoméstico, lea atentamente las Instrucciones de seguridad.

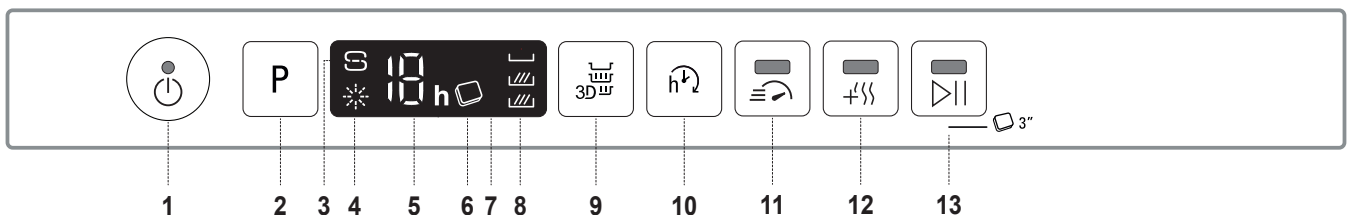
DESCRIPCIÓN DEL PRODUCTO

APARATO



1. Cesto superior
2. Bandeja para cubiertos
3. Sujeciones plegables
4. Ajustador de altura de la bandeja superior
5. Brazo aspersor superior
6. Cesto inferior
7. Zona espaciosa
8. Brazo aspersor inferior
9. Conjunto de filtrado
10. Depósito de sal
11. Dispensadores de detergente y abrillantador
12. Placa de características
13. Panel de control

PANEL DE CONTROL



1. Botón de Encender-Apagar/Reset con indicador luminoso
2. Botón de selección de programa
3. Indicador luminoso de recarga de sal
4. Indicador luminoso de recarga de abrillantador
5. Número de programa y indicador de tiempo de retardo
6. Indicador luminoso de Pastillas (Tab)
7. Pantalla
8. Indicador luminoso de Zone Wash 3D
9. Botón de Zone Wash 3D
10. Botón de aplazamiento
11. Botón Short Time con indicador luminoso
12. Botón Extra Dry con indicador luminoso
13. Botón de INICIO/Pausa con indicador luminoso/ Pastillas (Tab)

PRIMER USO

SAL, ABRILLANTADOR Y DETERGENTE


CONSEJO RESPECTO AL PRIMER USO

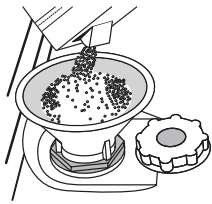
Después de la instalación, retire los topes de las bandejas y los elementos de retención elásticos de la bandeja superior.

LLENADO DEL DEPÓSITO DE SAL

El uso de sal evita la formación de INCRUSTACIONES DE CAL en la vajilla y en los componentes funcionales de la máquina.

- Es obligatorio que **EL DEPÓSITO DE SAL NO ESTÉ NUNCA VACÍO**.
- Es importante ajustar la dureza del agua

El depósito de sal se ubica en la parte inferior del lavavajillas (consulte DESCRIPCIÓN DEL PRODUCTO) y se debe rellenar cuando el **indicador de RECARGA DE SAL**  del panel de control se encienda.



1. Retire la bandeja inferior y desenrosque el tapón del depósito (en sentido antihorario).
2. **Pasos a seguir solo la primera vez: llene el depósito de sal con agua.**
3. Coloque el embudo (véase la figura) y llene el depósito de sal hasta el borde (aproximadamente 1 kg); puede derramarse un poco de agua.
4. Retire el embudo y limpie cualquier residuo de sal del orificio.

Asegúrese de que el tapón esté bien cerrado, de modo que el detergente no pueda entrar en el depósito durante el programa de lavado (esto podría estropear irremisiblemente el ablandador del agua). **Siempre que necesite añadir sal, es obligatorio completar el procedimiento antes del inicio del ciclo de lavado para evitar la corrosión.**

CONFIGURACIÓN DE LA DUREZA DEL AGUA

Para que el ablandador del agua funcione a la perfección, es esencial que la configuración de la dureza del agua se base en la dureza real del agua de su casa. Su suministrador de agua local le puede proporcionar esta información.

La fábrica ajusta el valor predeterminado de dureza del agua.

- Encienda el aparato pulsando el botón **Encendido/Apagado**.
- Apague el aparato pulsando el botón **Encendido/Apagado**.
- Mantenga pulsado el botón **P** durante 5 segundos, hasta que oiga un pitido.
- Encienda el aparato pulsando el botón **Encendido/Apagado**.
- Tanto el número del nivel de la selección actual como el indicador luminoso de la sal parpadean.
- Pulse el botón **P** para seleccionar el nivel de dureza deseado (consulte la TABLA DE DUREZA DEL AGUA).

Tabla de dureza del agua

Nivel	°dH Niveles Alemanes	°fH Niveles Franceses	°Clark Niveles Ingleses
1 Blanda	0 - 6	0 - 10	0 - 7
2 Media	7 - 11	11 - 20	8 - 14
3 Normal	12 - 16	21 - 29	15 - 20
4 Dura	17 - 34	30 - 60	21 - 42
5 Muy dura	35 - 50	61 - 90	43 - 62

- Apague el aparato pulsando el botón **Encendido/Apagado**.

Configuración finalizada!

Cuando haya completado este procedimiento, ejecute un programa sin carga.


Utilice solamente sal fabricada específicamente para lavavajillas.

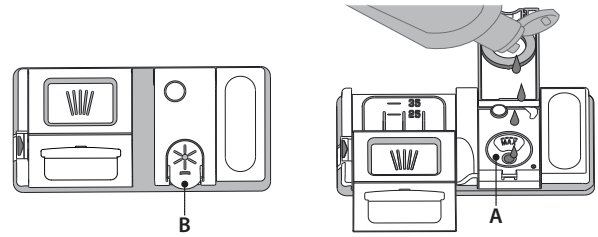
Cuando haya echado la sal dentro del depósito, el indicador luminoso de RECARGA DE SAL se apagará.

Si el depósito de sal no se llena, el ablandador del agua y la resistencia pueden sufrir daños como resultado de la acumulación de incrustaciones de cal.

Se recomienda utilizar sal con cualquier tipo de detergente para lavavajillas.

LLENADO DEL DISPENSADOR DEL ABRILLANTADOR

El abrillantador facilita el SECADO de la vajilla. El dispensador de abrillantador **A** se debe rellenar cuando el **indicador luminoso de RECARGA DE ABRILLANTADOR**  del panel de control esté encendido.



1. Abra el dispensador **B** pulsando y levantando la lengüeta de la tapa.
2. Introduzca el abrillantador con cuidado como máximo hasta la última marca (110 ml) de referencia del depósito, evitando que se derrame. Si se derrama, limpie el derrame inmediatamente con un paño seco.
3. Pulse la tapa hasta que oiga un clic, para cerrarla.

NUNCA eche el abrillantador directamente en la cuba.

AJUSTE DE LA DOSIS DE ABRILLANTADOR

Si los resultados del secado no le satisfacen totalmente, puede ajustar la cantidad de abrillantador utilizada

- Encienda el lavavajillas con el botón **Encendido/Apagado**.
- Apáguelo con el botón **Encendido/Apagado**.
- Pulse el botón **P** tres veces: oirá un pitido.
- Enciéndalo con el botón **Encendido/Apagado**.
- Tanto el número del nivel de la selección actual como el indicador luminoso del abrillantador parpadean.
- Pulse el botón **P** para seleccionar el nivel del abrillantador y la cantidad que se tenga que suministrar.
- Apáguelo con el botón **Encendido/Apagado**.

(Configuración finalizada!)

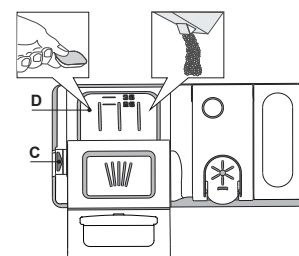
Si se selecciona el nivel de abrillantador CERO (ECO), no se suministrará abrillantador. El indicador luminoso de ABRILLANTADOR BAJO no se encenderá si el abrillantador se termina.

Se pueden configurar 5 niveles como máximo según el modelo de lavavajillas. Los ajustes de fábrica son específicos para el modelo, siga las instrucciones anteriores para comprobar esto en su máquina.

- Si ve manchas azuladas en la vajilla, seleccione un número bajo (1-2).
- Si hay gotas de agua o incrustaciones de cal en la vajilla, seleccione un número alto (3-4).

RELLENAR EL DISPENSADOR DE DETERGENTE

Para abrir el dispensador de detergente utilice el mecanismo de apertura C. Introduzca el detergente solo en el dispensador D seco. Eche la cantidad de detergente para el prelavado directamente dentro de la cuba.



1. Cuando dosifique el detergente, consulte la información mencionada anteriormente para añadir la cantidad correcta. Dentro del dispensador **D** hay indicaciones para ayudarle a dosificar el detergente.
2. Retire los restos de detergente de los bordes del dispensador y cierre la tapa hasta oír un clic.
3. Cierre la tapa del dispensador de detergente levantándola hasta que el mecanismo de cierre quede bien fijado.

El dispensador de detergente se abre automáticamente en el momento adecuado según el programa.

Si se utilizan detergentes todo en uno, recomendamos usar el botón de **PASTILLAS**, ya que ajusta el programa de tal modo que siempre se consigan los mejores resultados de lavado y secado.

El uso de detergente no diseñado para lavavajillas puede provocar fallos de funcionamiento o daños en el aparato.

TABLA DE PROGRAMAS

Programma	Fase de secado	ActiveDry	Opciones disponibles *)	Duración del programa de lavado (h:min)**)	Consumo de agua (litros/ciclo)	Consumo de energía (kWh/ciclo)	
1 Eco	ECO 50°	✓	✓		3:10	9,5	0,85
2 Auto Intensivo	65°	✓	✓		2:00 - 3:10	14,0 - 17,0	1,50 - 1,85
3 Auto Mixto	55°	✓	✓		1:30 - 2:30	14,5 - 16,0	1,15 - 1,30
4 Auto Lavado Rápido	50°	-	-		0:55 - 1:20	13,0 - 14,5	1,15 - 1,25
5 Rápido 30'	50°	-	-		0:30	9,0	0,50
6 Buenas Noches	50°	✓	✓		3:30	15,0	1,15
7 Desinfección	65°	✓	-		1:40	10,0	1,30
8 Remojo	-	-	-		0:12	4,5	0,01
9 Autolimpieza	65°	-	-		0:50	8,0	0,85

Los datos del programa ECO se miden bajo condiciones de laboratorio de conformidad con la Norma europea EN 60436:2020.

Nota para los laboratorios de pruebas: para obtener información detallada sobre las condiciones de la prueba comparativa EN, escribir a la siguiente dirección: dw_test_support@whirlpool.com

No es necesario ningún tratamiento previo de la vajilla antes de ninguno de los programas.

*) No todas las opciones se pueden utilizar simultáneamente.

***) Los valores indicados para los programas distintos al programa Eco son indicativos. El tiempo real puede variar dependiendo de muchos factores como la temperatura y la presión del agua de entrada, la temperatura ambiente, la cantidad de detergente, la cantidad y el tipo de carga, la colocación de la carga, las opciones adicionales seleccionadas y la calibración del sensor.

La calibración del sensor puede incrementar la duración del programa hasta 20 min.

DESCRIPCIÓN DE PROGRAMAS

Instrucciones sobre la selección de programa de lavado.

1 ECO

El programa Eco es adecuado para lavar utensilios con suciedad normal, para este uso es el programa más eficiente en términos de consumo combinado de energía y agua, y se utiliza para valorar el cumplimiento con la legislación de Ecodiseño de la UE.

2 AUTO INTENSIVO

Programa automático para vajillas y utensilios muy sucios (no se debe utilizar para artículos delicados).

3 AUTO MIXTO

Programa automático para vajillas y utensilios con suciedad normal.

4 AUTO LAVADO RÁPIDO

Programa automático para cantidades limitadas de vajilla con suciedad normal. Garantiza un lavado óptimo en poco tiempo.

5 RÁPIDO 30'

Programa recomendado para media carga de vajilla poco sucia sin restos de comida secos. No tiene fase de secado.

6 BUENAS NOCHES

Adecuado para hacer funcionar el aparato de noche. Garantiza una limpieza y un secado óptimos con las más bajas emisiones de ruido.

7 DESINFECCIÓN

Vajilla con suciedad normal o muy sucia, con acción antibacteriana suplementaria. Puede utilizarse para realizar el mantenimiento del lavavajillas.

8 REMOJO

Se utiliza para remojar la vajilla que planea lavar más tarde. Con este programa no se debe utilizar detergente.

9 AUTOLIMPIEZA

Programa para realizar el mantenimiento del lavavajillas. Solo debe llevarse a cabo cuando el lavavajillas esté VACÍO usando detergentes específicos diseñados para el mantenimiento de lavavajillas.

Notas:

Tenga en cuenta que el ciclo *Rápido 30'* está destinado a vajilla poco sucia.

OPCIONES Y FUNCIONES

Las OPCIONES se pueden seleccionar directamente pulsando el botón correspondiente (consulte PANEL DE CONTROL).

Si una opción no es compatible con el programa seleccionado (consulte TABLA DE PROGRAMAS), el led correspondiente parpadea rápidamente 3 veces y suenan unos pitidos. La opción no se habilitará.

ZONE WASH 3D (LAVADO EN ZONA 3D)

La opción funciona con un cesto a la vez. En particular, recomendamos utilizarla con los ciclos Mixto e Intensivo: gracias a los surtidores de agua 3D adicionales situados en la parte inferior del interior del aparato, la ZONE WASH 3D (LAVADO EN ZONA 3D) permite ahorrar energía o aumentar el rendimiento de lavado del lavavajillas:

- 3D ZONE WASH (LAVADO EN ZONA 3D) + CICLO MIXTO: permite reducir el consumo de energía hasta un 40 %.
- 3D ZONE WASH (LAVADO EN ZONA 3D) + CICLO INTENSIVO: aumenta el rendimiento de lavado hasta un 40. Ideal para cargas mixtas muy sucias, p. ej. sartenes y cacerolas, platos con suciedad muy incrustada o vajilla difícil de lavar (ralladores, pasapapús, cuchillos sucios).

Cómo activar la opción:

1. Seleccione un ciclo compatible
2. Por defecto, el aparato lava la vajilla de todas las bandejas. Para lavar solo una bandeja determinada, pulse este botón repetidamente:



la pantalla muestra (solo bandeja inferior)



la pantalla muestra (solo bandeja superior)



la pantalla muestra (solo bandeja para cubiertos)



la pantalla muestra (la opción está apagada y el aparato lavará la vajilla de todas las bandejas).

Acuérdese de cargar solo la bandeja superior o inferior y consiguientemente, de reducir la cantidad de detergente. Si se retira la cesta superior, aplique el detergente directamente en la cuba y no en el dispensador de detergente.

APLAZAMIENTO

La hora de inicio del programa se puede retrasar un periodo de tiempo de entre 1 y 12 horas.

1. Pulse el botón de APLAZAMIENTO: el símbolo «h» correspondiente aparece en la pantalla; cada vez que pulse el botón, el tiempo (1 h, 2 h, etc. hasta máx. 12 h) del inicio del ciclo de lavado seleccionado se incrementará.
2. Seleccione el programa de lavado, pulse el botón de INICIO/PAUSA y cierre la puerta antes de 4 segundos: el temporizador empezará la cuenta atrás.
3. Cuando ha transcurrido este tiempo, el indicador luminoso «h» se apaga y empieza el ciclo de lavado.

Para ajustar el tiempo de retraso y seleccionar un periodo de tiempo más corto, pulse el botón de APLAZAMIENTO. Para cancelar, pulse el botón repetidamente hasta que el indicador luminoso «h» del aplazamiento seleccionado se apague.

La función de APLAZAMIENTO no puede configurarse una vez iniciado el ciclo.

PASTILLAS (TAB)

Esta función permite optimizar el rendimiento del programa según el tipo de detergente utilizado.

Pulse el botón INICIO/Pausa durante 3 segundos (el símbolo correspondiente se encenderá) si usa detergentes combinados en forma de pastilla (abrillantador, sal y detergente en 1 dosis).

Si utiliza detergente en polvo o líquido, esta opción debería estar desactivada.

SHORT TIME

Esta opción se puede utilizar para reducir la duración de los programas principales manteniendo los mismos niveles de rendimiento del lavado y el secado.

Una vez seleccionado el programa, pulse el botón SHORT TIME y el indicador luminoso se encenderá. Vuelva a pulsar el botón para deseleccionar la opción.

EXTRA DRY

Para mejorar el secado de los platos, una vez seleccionado el programa pulse el botón EXTRA DRY y el indicador luminoso se encenderá.

Una temperatura más alta durante el último aclarado y una fase de secado más larga mejoran el secado. Vuelva a pulsar el botón para deseleccionar la opción. La opción EXTRA DRY alarga el ciclo de lavado.

INDICADOR DE OPERACIÓN

Una luz LED se proyecta en el suelo para indicar que el lavavajillas está en funcionamiento. Se puede seleccionar uno de los siguientes modos de funcionamiento:

- a) Función desactivada.
- b) Cuando el ciclo se inicia la luz se apaga durante unos segundos, se mantiene apagada durante el ciclo y parpadea al final del ciclo.
- c) La luz se mantiene encendida durante el ciclo y parpadea al final del ciclo (modo por defecto).

Si se ha ajustado el aplazamiento, la luz se enciende o bien durante los primeros segundos o bien mientras dure la cuenta atrás, dependiendo de si se ha ajustado el modo b) o c).

La luz se apaga cada vez que se abre la puerta. Para seleccionar el modo que prefiera, encienda la máquina, mantenga pulsado el botón **P** hasta que una de las tres letras aparezca en la pantalla, pulse el botón **P** hasta que llegue a la letra deseada (o modo) y mantenga pulsado el botón **P** para confirmar la selección.

Nota: Si ActiveDry está activo y abre la puerta, el indicador de funcionamiento (INDICADOR DE OPERACIÓN) no parpadeará al final del ciclo.

ActiveDry

ActiveDry es un sistema de secado por convección que abre la puerta automáticamente durante/después de la fase de secado para garantizar un rendimiento excepcional y regular del secado. La puerta se abre a una temperatura segura para los muebles de cocina. Por lo tanto, la puerta no se abre si se elige la función SHORT TIME.

Como protección adicional contra el vapor, se incluye una lámina protectora especial en el lavavajillas. Para ver cómo montar la lámina protectora, consulte la GUÍA DE INSTALACIÓN.

La funcionalidad ActiveDry se puede desactivar de la siguiente manera:

1. Vaya al menú del software del lavavajillas manteniendo pulsado el botón **P** (6 seg).

2. Ahora está en el Menú de control de la luz (consulte la descripción INDICADOR DE OPERACIÓN). Si no quiere cambiar nada, mantenga pulsado el botón **P** (hasta que una de las dos letras aparezca en la pantalla).

3. Ha cambiado al Menú de control de ActiveDry; podría cambiar el estado de la funcionalidad ActiveDry manteniendo pulsado el botón **P**:

E – activado **d** – desactivado

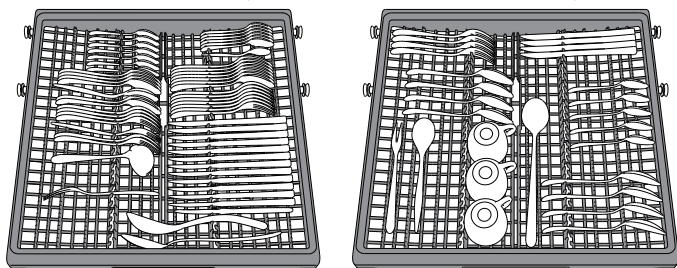
Para confirmar el cambio y salir del Menú de control, mantenga pulsado el botón **P** (3 seg).

LLENADO DEL LAVAVAJILLAS

BANDEJA PARA CUBIERTOS

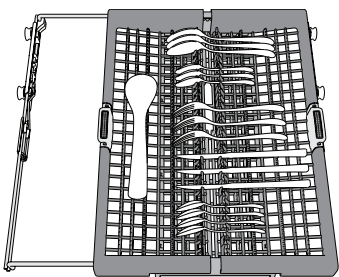
La tercera bandeja está diseñada para alojar los cubiertos. Coloque los cubiertos tal como se muestra en la figura.

La colocación por separado de los cubiertos hace que sean más fáciles de recoger después del lavado y mejora el rendimiento del lavado y el secado.

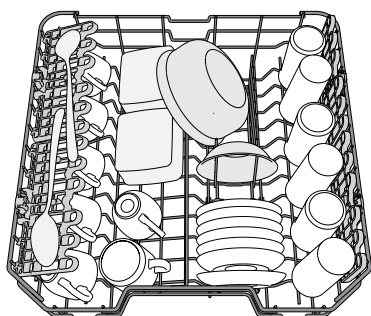


Los cuchillos y otros utensilios con bordes afilados deben colocarse con las hojas hacia abajo.

La geometría de la bandeja hace posible colocar artículos pequeños como las tazas de café en la zona central.



El canastillo para cuchillería está equipado con dos bandejas laterales deslizantes para aprovechar al máximo la altura del espacio inferior y permitir la carga de los artículos altos en la bandeja superior.



(ejemplo de carga para la bandeja superior)

CESTO SUPERIOR

Cargue la vajilla delicada y ligera: vasos, tazas, platos, ensaladeras bajas.

AJUSTE DE LA ALTURA DE LA BANDEJA SUPERIOR

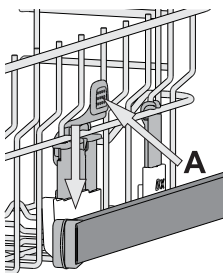
La altura de la bandeja superior se puede ajustar: posición alta para colocar vajilla voluminosa en el cesto inferior y posición baja para aprovechar al máximo los soportes desplegados creando más espacio hacia arriba y evitando que colisionen con los artículos cargados en la bandeja inferior.

La bandeja superior está equipada con un **Ajustador de altura de la bandeja superior** (véase la figura). Sin presionar las palancas, levántelo simplemente sujetando los laterales de la bandeja, hasta que la bandeja esté estable en su posición superior.

Para volver a la posición más baja, pulse las palancas **A** de los laterales de la bandeja y mueva el cesto hacia abajo.

Le recomendamos encarecidamente que no ajuste la altura de la bandeja cuando esté cargada.

NUNCA suba o baje el cesto solo de un lado.

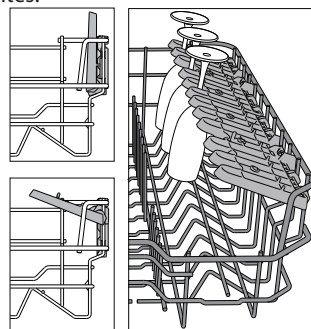


SUJEIONES PLEGABLES CON POSICIÓN AJUSTABLE

Las sujeciones plegables laterales se pueden plegar o desplegar para optimizar la disposición de la vajilla en el cesto. Las copas de vino quedan bien aseguradas en las sujeciones plegables insertando el tallo de cada copa en las ranuras correspondientes.

Dependiendo del modelo:

- para desplegar las sujeciones, deslícelas hacia arriba y gírelas o suéltelas de los cierres y tire de ellas hacia abajo.
- para plegar las sujeciones, gírelas y deslícelas hacia abajo o tire de ellas hacia arriba y fíjelas en los cierres.

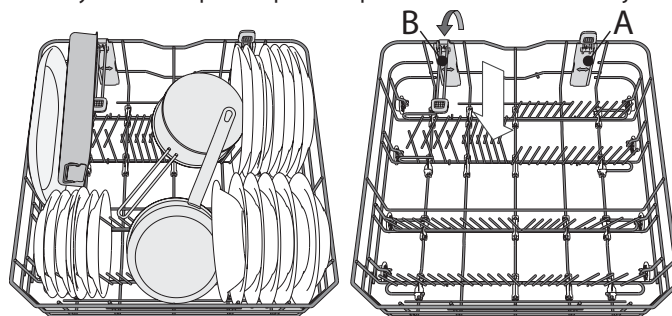


CESTO INFERIOR

Para ollas, tapas, platos, ensaladeras, cubertería, etc. Se recomienda colocar las bandejas y tapas grandes en los laterales para evitar interferencias con el brazo aspersor.

La bandeja inferior tiene unos soportes desplegables que se pueden utilizar en posición vertical cuando se coloquen platos o en posición horizontal (más baja) para cargar cacerolas y ensaladeras fácilmente. La bandeja inferior tiene una Zona espaciosa **A** (solo disponible en modelos seleccionados con diferentes números), un soporte extensible especial que se puede utilizar para mantener sartenes o moldes en posición vertical, para que ocupen menos espacio.

Para utilizarlo, coja el asa de color y tire de ella hacia arriba a la vez que la hace girar hacia adelante **B**. Los soportes pueden deslizarse hacia la derecha y hacia la izquierda para adaptarse a la medida de la vajilla.

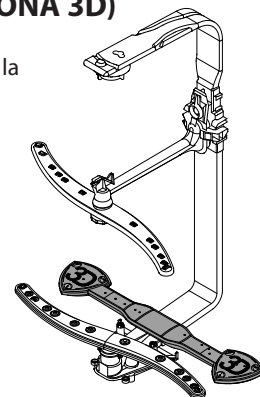


(ejemplo de carga para la bandeja inferior)

ZONE WASH 3D (LAVADO EN ZONA 3D)

Zone Wash 3D (Lavado en zona 3D) utiliza surtidores de agua adicionales situados: en la parte inferior y la parte superior del lavavajillas (en color naranja) para lavar con mayor intensidad objetos muy sucios aumentando la cobertura del agua en los platos.

Ejemplo: Cargue ollas y cacerolas mirando hacia la parte inferior de los componentes de Zone Wash 3D (Lavado en zona 3D) y active la opción 3D Zone Wash (Lavado en zona 3D) en el panel.



USO DIARIO

1. COMPROBACIÓN DE LA CONEXIÓN DE AGUA

Compruebe que el lavavajillas esté conectado al suministro de agua y que el grifo esté abierto.

2. ENCENDIDO DEL LAVAVAJILLAS

Abra la puerta y pulse el botón **Encendido/Apagado**.

3. CARGA DE LAS BANDEJAS

(consulte el LLENADO DEL LAVAVAJILLAS)

4. LLENADO DEL DISPENSADOR DE DETERGENTE

5. ESCOGER EL PROGRAMA Y PERSONALIZAR EL CICLO

Seleccione el programa más apropiado según el tipo de vajilla y el nivel de suciedad (consulte DESCRIPCIÓN DE PROGRAMAS) pulsando el botón **P**.

Seleccione las opciones deseadas (consulte las OPCIONES Y FUNCIONES).

6. INICIO

Inicie el ciclo de lavado pulsando el botón **INICIO/Pausa** (el led se enciende) y cerrando la puerta en un plazo de 4 seg. Cuando el programa se inicia se oye una señal acústica. Si la puerta no se ha cerrado en un plazo de 4 seg, suena la alarma. En este caso, abra la puerta, pulse el botón **INICIO/Pausa** y vuelva a cerrar la puerta en un plazo de 4 seg.

7. FINALIZACIÓN DEL CICLO DE LAVADO

La finalización del ciclo de lavado se indica con pitidos y el indicador luminoso del programa seleccionado parpadea. Abra la puerta y apague el aparato pulsando el botón **ENCENDIDO/APAGADO**. Espere unos minutos antes de retirar la vajilla, para evitar quemaduras. Descargue las bandejas, empezando por la inferior.

La máquina se apagará automáticamente durante ciertos periodos largos de inactividad, para minimizar el consumo de electricidad. Si la vajilla está solo ligeramente sucia o si se ha aclarado con agua antes de colocarla en el lavavajillas, le aconsejamos que reduzca la cantidad de detergente utilizada.

MODIFICACIÓN DE UN PROGRAMA EN CURSO

Si se ha equivocado al seleccionar el programa, se puede cambiar, siempre que acabe de empezar: abra la puerta, mantenga pulsado el botón **ENCENDIDO/APAGADO**; la máquina se apagará.

Vuelva a encender la máquina con el botón **ENCENDIDO/APAGADO** y seleccione el nuevo ciclo de lavado y cualquier opción que se desee; inicie el ciclo pulsando el botón **INICIO/Pausa** y cerrando la puerta en un plazo de 4 seg.

AÑADIR MÁS VAJILLA

Sin apagar la máquina, abra la puerta (el led **INICIO/Pausa** empieza a parpadear) (**¡tenga cuidado con el vapor CALIENTE!**) y ponga la vajilla dentro del lavavajillas. Pulse el botón **INICIO/Pausa** y cierre la puerta en un plazo de 4 seg; el ciclo se reanudará desde el punto en el cual se interrumpió.

INTERRUPCIONES ACCIDENTALES

Si se abre la puerta durante el ciclo de lavado, o si hay un corte de corriente, el ciclo se detiene. Para reanudar el ciclo desde donde se interrumpió, pulse el botón **INICIO/Pausa** y cierre la puerta en un plazo de 4 seg.

SUGERENCIAS Y CONSEJOS

CONSEJOS

Antes de cargar los cestos, elimine todos los residuos de comida de la vajilla y vacíe los vasos. **No es necesario aclarar previamente con agua corriente.** Coloque la vajilla de tal modo que quede bien sujeta y no se vuelque; y coloque los recipientes con las bocas hacia abajo y las partes cóncavas/convexas en posición oblicua, permitiendo que el agua llegue a todas las superficies y fluya libremente.

Advertencia: tapas, mangos, bandejas y sartenes no deben impedir que los brazos aspersores giren.

Coloque cualquier objeto pequeño en el canastillo para cuchillería. La vajilla y los utensilios muy sucios se deberían colocar en la bandeja inferior porque en este sector los aspersores de agua son más resistentes y permiten un rendimiento de lavado superior.

Una vez cargado el aparato, asegúrese de que los brazos aspersores puedan girar libremente.

VAJILLA INADECUADA

- Vajilla y cubiertos de madera.
- Cristalería con adornos delicados, artesanía y vajilla antigua. Los adornos no son resistentes.
- Partes de material sintético que no resistan altas temperaturas.
- Vajilla de cobre y latón.
- Vajilla sucia de ceniza, cera, grasa lubricante o tinta.

Los colores de los adornos del cristal y las piezas de aluminio/plata pueden cambiar y descolorarse durante el proceso de lavado. Algunos tipos de vidrios (p. ej. los objetos de cristal) también pueden volverse opacos después de varios ciclos de lavado.

DAÑOS A LA CRISTALERÍA Y A LA VAJILLA

- Utilice solo cristalería y porcelana garantizadas por el fabricante como aptas para lavavajillas.
- Utilice un detergente delicado adecuado para la vajilla
- Saque la cristalería y la cubertería del lavavajillas inmediatamente después de la finalización del ciclo de lavado.

CONSEJOS SOBRE AHORRO ENERGÉTICO

- Si el lavavajillas doméstico se utiliza siguiendo las instrucciones del fabricante, **lavar platos en el lavavajillas suele consumir MENOS ENERGÍA y agua que el lavado a mano.**
- Para maximizar la eficiencia del lavavajillas, **se recomienda iniciar el ciclo de lavado cuando el lavavajillas esté totalmente cargado.** Cargar el lavavajillas doméstico hasta la capacidad indicada por el fabricante contribuirá a ahorrar energía y agua. Puede encontrar información sobre la carga correcta de la vajilla en el capítulo CARGA DE LAS CESTAS. En caso de carga parcial, se recomienda utilizar las opciones de lavado específicas si están disponibles (Media carga/ Zone Wash/ Multizonas), llenando solo las cestas seleccionadas. La carga incorrecta o excesiva del lavavajillas puede aumentar el consumo de recursos (como el agua, la energía y el tiempo, así como el nivel de ruido), reduciendo el rendimiento de lavado y de secado.
- El preaclarado manual de la vajilla conlleva un mayor consumo de agua y energía y no está recomendado.

HIGIENE

Para evitar malos olores y sedimentos que se pueden acumular en el lavavajillas, **ejecute un programa a alta temperatura al menos una vez al mes.** Utilice una cucharadita de café de detergente y ejecútelos sin carga para limpiar el aparato.

CUIDADOS Y MANTENIMIENTO

LIMPIEZA DEL CONJUNTO DE FILTRADO

Limpie regularmente el conjunto de filtrado para que los filtros no se obturen y para que el agua residual salga libremente.

El uso del lavavajillas con los filtros obstruidos o con objetos extraños en el sistema de filtrado o en los aspersores puede provocar fallos de funcionamiento que pueden derivar en una pérdida del rendimiento, un aumento del ruido o un mayor consumo de recursos.

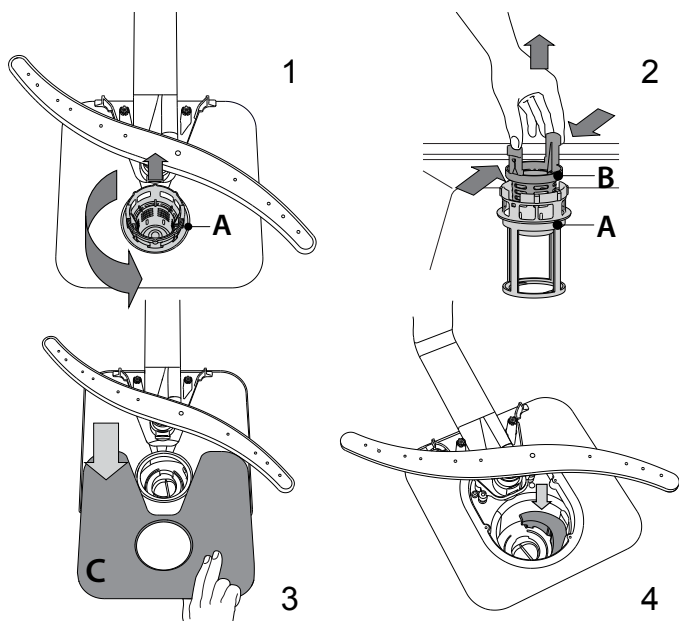
El conjunto de filtrado está formado por tres filtros que eliminan los restos de comida del agua de lavado y que hacen recircular el agua.

El lavavajillas no se debe usar sin filtros o si el filtro está suelto.

Al menos una vez al mes o cada 30 ciclos, revise el conjunto de filtrado y, si es necesario, límpielo a fondo con agua corriente, utilizando un cepillo no metálico y siguiendo estas instrucciones:

1. Gire el filtro cilíndrico **A** hacia la izquierda y extráigalo (Fig 1).
2. Extraiga el filtro en forma de saco **B** ejerciendo una ligera presión en las sujeciones laterales (Fig 2).
3. Extraiga el filtro de placa de acero inoxidable **C** (Fig 3).
4. Si encuentra objetos extraños (como cristales rotos, porcelana, huesos, semillas, etc.) **retírelos con cuidado**.
5. Inspeccione la trampilla y retire cualquier resto de comida.

NO RETIRE NUNCA la protección de la bomba del ciclo de lavado (detalle negro) (Fig 4).



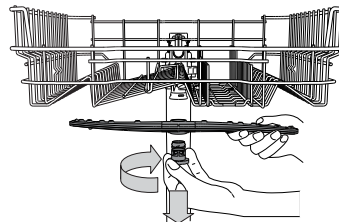
Una vez limpiados los filtros, recolocarlo correctamente en su sitio; esto es esencial para garantizar el funcionamiento eficiente del lavavajillas.

LIMPIEZA DE LA MANGUERA DE ENTRADA DE AGUA

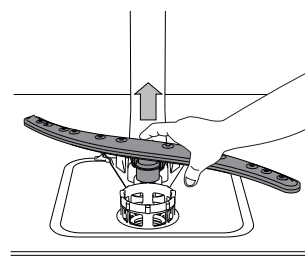
Si las mangueras del agua son nuevas o no se han utilizado durante un largo periodo de tiempo, deje correr el agua para asegurarse de que estén limpias y libres de impurezas antes de realizar las conexiones necesarias. Si no se toma esta precaución, la entrada de agua se podría bloquear y dañar el lavavajillas.

LIMPIEZA DE LOS BRAZOS ASPERSORES

A veces, los residuos de comida se pueden incrustar en los brazos aspersores y bloquear los orificios por donde sale el agua. Por lo tanto, se recomienda revisar los brazos de vez en cuando y limpiarlos con un pequeño cepillo no metálico.



Para extraer el brazo aspersor superior, gire el anillo de cierre de plástico en sentido horario. El brazo rociador superior se tiene que recolocar de tal modo que el lado con más agujeros mire hacia arriba.



El brazo aspersor inferior se puede desmontar ejerciendo presión hacia arriba.

SISTEMA DE ABLANDAMIENTO DE AGUA

El ablandador del agua reduce automáticamente la dureza del agua, evitando así la acumulación de incrustaciones en el calentador y permitiendo también una mayor eficiencia del lavado.

Este sistema se regenera con sal, por lo que es necesario rellenar el depósito de sal cuando está vacío.

La frecuencia de la regeneración depende del ajuste del nivel de dureza del agua. La regeneración se produce una vez cada 6 ciclos Eco con la dureza del agua ajustada en el nivel 3.

El proceso de regeneración comienza en el aclarado final y termina en la fase de secado, antes de que termine el ciclo.

- Una regeneración consume: ~3,5 l de agua;
- Añade hasta 5 minutos adicionales al ciclo;
- Consume menos de 0,005 kWh de energía.

RESOLUCIÓN DE PROBLEMAS

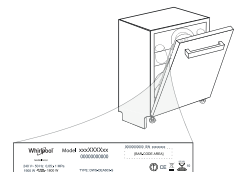
Si su lavavajillas no funciona correctamente, compruebe si el problema se puede resolver revisando la siguiente lista. En caso de errores o problemas, póngase en contacto con nuestro Servicio Postventa, cuyos detalles de contacto puede encontrar en el folleto de la garantía. Las piezas de repuesto estarán disponibles por un período de hasta 7 o hasta 10 años, de acuerdo con los requisitos específicos del Reglamento.

PROBLEMAS	CAUSAS POSIBLES	SOLUCIONES
El indicador de la sal está encendido	El depósito de sal está vacío. (Una vez rellenado, el indicador de la sal puede permanecer encendido durante varios ciclos de lavado).	Llene el depósito con sal (para obtener más información, consulte la página 2). Ajuste la dureza del agua, consulte la tabla de la página 2.
El indicador del abrillantador está encendido	El dispensador de abrillantador está vacío. (Una vez rellenado, el indicador del abrillantador puede permanecer encendido durante varios ciclos de lavado).	Llene el dosificador con abrillantador (para obtener más información, consulte la página 2).
El lavavajillas no se pone en marcha o no responde a las órdenes.	El aparato no está bien enchufado.	Introduzca el enchufe en la toma.
	Apagón.	Por razones de seguridad, el lavavajillas no se reiniciará automáticamente cuando se restablezca la alimentación eléctrica. Abra la puerta del lavavajillas, pulse el botón INICIO/Pausa y cierre la puerta en un plazo de 4 segundos.
	La puerta del lavavajillas no está bien cerrada. La clavija ActiveDry no está introducida.	Empuje fuerte la puerta hasta que oiga el «clic».
	Se interrumpe el ciclo al abrir la puerta durante > 4 segundos.	Pulse INICIO/Pausa y cierre la puerta antes de 4 segundos.
El lavavajillas no se vacía. La pantalla muestra: El led de 9 o 12 y de Encendido/apagado parpadea rápidamente.	No responde a las órdenes. La pantalla muestra: El led de 9 o 12 y de Encendido/apagado parpadea rápidamente.	Apague el aparato pulsando el botón ENCENDIDO/APAGADO , vuélvalo a encender aproximadamente al cabo de un minuto y reinicie el programa. Si el problema persiste, desenchufe el aparato durante 1 minuto y vuelva a enchufarlo.
	El ciclo de lavado todavía no ha finalizado.	Espere a que el ciclo de lavado termine.
	El tubo de desagüe está doblado.	Compruebe que el tubo de desagüe no esté doblado (consulte las INSTRUCCIONES DE INSTALACIÓN).
	El tubo de desagüe del fregadero está bloqueado.	Limpie el tubo de desagüe del fregadero.
El lavavajillas hace demasiado ruido.	El filtro está obturado con restos de comida.	Limpie el filtro (consulte la LIMPIEZA DEL CONJUNTO DE FILTRADO).
	Los artículos chocan entre ellos.	Coloque la vajilla correctamente (consulte el LLENADO DEL LAVAVAJILLAS).
	Se ha producido una cantidad de espuma excesiva.	El detergente no se ha dosificado correctamente o no es adecuado para lavavajillas (consulte el LLENADO DEL DISPENSADOR DE DETERGENTE). Restablezca el ciclo en curso apagando el lavavajillas, vuélvalo a encender, seleccione un nuevo programa, pulse INICIO/Pausa y cierre la puerta en un plazo de 4 segundos. No añada detergente.
La vajilla no está limpia.	Los artículos chocan entre ellos.	Coloque la vajilla correctamente (consulte el LLENADO DEL LAVAVAJILLAS).
	Los brazos aspersores no pueden girar libremente, obstaculizados por la vajilla.	Coloque la vajilla correctamente (consulte el LLENADO DEL LAVAVAJILLAS).
	El ciclo de lavado es demasiado suave.	Seleccione un ciclo de lavado adecuado (consulte la TABLA DE PROGRAMAS).
	Se ha producido una cantidad de espuma excesiva.	El detergente no se ha dosificado correctamente o no es adecuado para lavavajillas (consulte el LLENADO DEL DISPENSADOR DE DETERGENTE).
	El tapón del compartimento del abrillantador no se ha cerrado correctamente.	Compruebe que el tapón del dispensador de abrillantador esté cerrado.
	El filtro está sucio u obturado.	Limpie el conjunto de filtrado (consulte CUIDADO Y MANTENIMIENTO).
El lavavajillas no se llena de agua. La pantalla muestra: El led de H, 6 y de Encendido/apagado parpadea rápidamente.	No hay sal.	Llene el depósito de sal (consulte el LLENADO DEL DEPÓSITO DE SAL).
	No hay entrada de agua o el grifo está cerrado.	Compruebe que haya suministro de agua o que el grifo esté abierto.
	La manguera de entrada está doblada.	Asegúrese de que la manguera de entrada no esté doblada (consulte INSTALACIÓN) vuelva a programar el lavavajillas y reinicie.
El lavavajillas finaliza el ciclo de forma prematura. La pantalla muestra: El led de 15 y de Encendido/apagado parpadea rápidamente.	El tamiz de la manguera de entrada está obstruido; hay que limpiarlo.	Una vez comprobado y limpiado, apague y encienda el lavavajillas y reinicie un nuevo programa.
	El tubo de desagüe está demasiado bajo o bloquea el sistema de desagüe de la casa.	Compruebe si el extremo del tubo de desagüe está colocado a la altura correcta (consulte INSTALACIÓN). Compruebe si está obstruyendo el sistema de desagüe de la casa e instale una válvula de entrada de aire si es necesario.
	Aire en el suministro de agua.	Compruebe que el suministro de agua no tenga fugas o defectos que dejen entrar aire.



Puede consultar los reglamentos, la documentación estándar, así como pedir piezas de repuesto, mediante alguna de las siguientes formas:

- Usando el código QR y visitando nuestra página web **docs.whirlpool.eu**
- Visitando nuestra página web **parts-selfservice.whirlpool.com**
- También puede, **ponerse en contacto con nuestro Servicio postventa** (Consulte el número de teléfono en el folleto de la garantía). Cuando se ponga en contacto con nuestro Servicio Postventa, deberá indicar los códigos que figuran en la placa de características de su producto.



La información del modelo puede consultarse a través del código QR de la etiqueta energética. La etiqueta también contiene el identificador del modelo que puede usarse para consultar el portal del registro en <https://eprel.ec.europa.eu>.

400011644356B

08/2023 jk - Xerox Fabriano



GUIDE D'UTILISATION QUOTIDIENNE

D'UTILISATION QUOTIDIENNE



MERCI D'AVOIR CHOISI UN PRODUIT HOTPOINT ARISTON. Afin de recevoir une assistance plus complète, merci d'enregistrer votre appareil sur on: www.hotpoint.eu/register

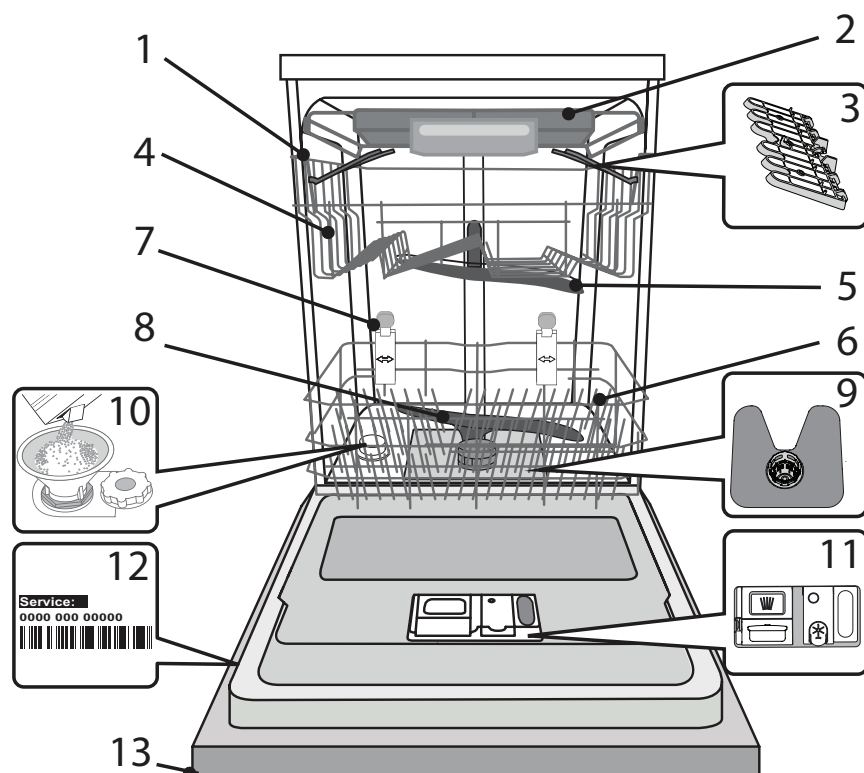


Vous pouvez télécharger les Consignes de sécurité et le Manuel de l'utilisateur, en visitant notre site Internet docs.hotpoint.eu et en suivant les instructions figurant au verso du présent fascicule.

Avant d'utiliser l'appareil, lisez attentivement les Consignes de sécurité.

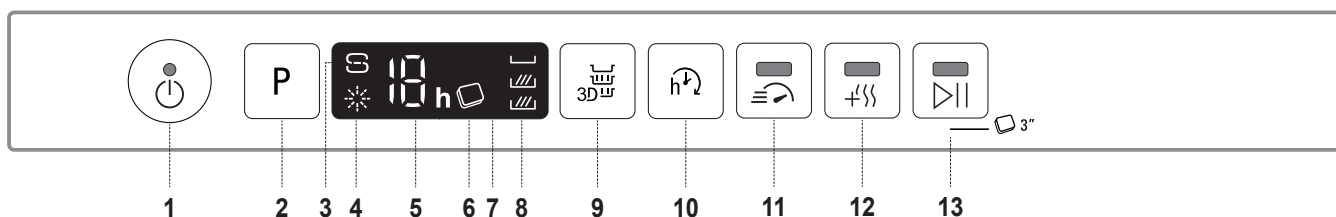
DESCRIPTION DU PRODUIT

APPAREIL



1. Panier supérieur
2. Compartiment à couvert
3. Volets pliables
4. Bouton de réglage de la hauteur du panier supérieur
5. Bras d'aspersion supérieur
6. Panier inférieur
7. Space Zone
8. Bras d'aspersion inférieur
9. Ensemble filtre
10. Réservoir à sel
11. Distributeurs de détergent et liquide de rinçage
12. Plaque signalétique
13. Panneau de commande

PANNEAU DE COMMANDE



1. Touche Marche-Arrêt/Réinitialisation avec le voyant
2. Sélecteur de programme
3. Voyant de niveau de sel
4. Voyant de niveau de liquide de rinçage
5. Numéro de programme et indicateur de temps de retard
6. Voyant Pastille
7. Affichage
8. Voyant Zone Wash 3D
9. Touche Zone Wash
10. Touche Différé
11. Touche Short Time avec le voyant
12. Touche Extra Dry avec le voyant
13. Touche Départ/Pause avec le voyant/ Pastille

Hotpoint

ARISTON

PREMIÈRE UTILISATION

SEL, LIQUIDE DE RINÇAGE, ET DÉTERGENT


CONSEILS AU SUJET DE LA PREMIÈRE UTILISATION

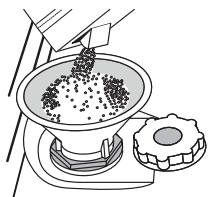
Après l'installation, enlevez les boulons d'arrêt sur les paniers et les éléments élastiques qui retiennent le panier supérieur.

REMPILIR LE RÉSERVOIR DE SEL

L'utilisation de sel empêche la formation de CALCAIRE sur la vaisselle et sur les composantes fonctionnelles de l'appareil.

- Le **RÉSERVOIR DE SEL NE DOIT JAMAIS ÊTRE VIDE.**
- Il est important de régler la dureté de l'eau.

Le réservoir de sel est situé dans la partie inférieure du lave-vaisselle (voir *DESCRIPTION DU PRODUIT*) et il doit être rempli quand le voyant **REMPLISSAGE DE SEL**  sur le panneau de commande est allumé.



1. Enlevez le panier inférieur et dévissez le bouchon du réservoir (sens antihoraire).
2. **La première fois uniquement, vous devez effectuer l'opération suivante : Remplissez d'eau le réservoir à sel.**
3. Placez l'entonnoir (voir figure) et remplissez le réservoir de sel jusqu'au bord (environ 1 kg); il est normal qu'un peu d'eau déborde.
4. Enlevez l'entonnoir et essuyez les résidus de sel autour de l'ouverture.

Assurez-vous que le bouchon est bien serré pour éviter que du détergent pénètre dans le réservoir durant le cycle de lavage (le réservoir pourrait s'endommager au point de ne plus être réparable).

Chaque fois que vous avez besoin d'ajouter du sel, il est obligatoire de terminer la procédure avant le début du cycle de lavage afin d'éviter toute corrosion.

RÉGLER LA DURETÉ DE L'EAU

Pour que l'adoucisseur d'eau fonctionne à la perfection, il est important de régler la dureté de l'eau aux conditions existantes dans votre résidence. Cette information peut être obtenue de votre fournisseur d'eau local.

L'usine règle la valeur par défaut de la dureté de l'eau.

- Allumer l'appareil en appuyant sur la touche **MARCHE/ARRÊT.**
- Éteindre l'appareil en appuyant sur la touche **MARCHE/ARRÊT.**
- Appuyer sur la touche **P** pendant 5 secondes ; un bip se fait entendre.
- Allumer l'appareil en appuyant sur la touche **MARCHE/ARRÊT.**
- Le numéro de la sélection actuelle et le voyant de niveau de sel clignotent.
- Appuyer sur la touche **P** pour sélectionner le niveau de dureté désiré (voir *TABLEAU DE DURETÉ DE L'EAU*).

Level		°dH Degrés allemand	°fH Degrés français	°Clark Degrés anglais
1	Très douce	0 - 6	0 - 10	0 - 7
2	Moyenne	7 - 11	11 - 20	8 - 14
3	Douce	12 - 16	21 - 29	15 - 20
4	Dure	17 - 34	30 - 60	21 - 42
5	Très dure	35 - 50	61 - 90	43 - 62

- Éteindre l'appareil en appuyant sur la touche **MARCHE/ARRÊT.**
Le réglage est terminé !

Une fois cette opération complétée, lancez un programme sans charger le lave-vaisselle.

Utilisez seulement le sel spécialement conçu pour les lave-vaisselles.

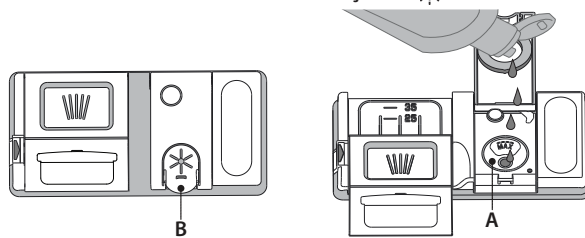
Lorsque le sel est versé dans l'appareil, le voyant AJOUTER DU SEL s'éteint.

Si le contenant de sel n'est pas rempli, l'adoucisseur et l'élément chauffant peuvent être endommagés à cause de l'accumulation de calcaire.

L'utilisation de sel est recommandée avec n'importe quel type de lessive pour lave-vaisselle.

REMPILIR LE DISTRIBUTEUR DE LIQUIDE DE RINÇAGE

Le liquide de rinçage permet à la vaisselle de SÉCHER plus facilement. Le distributeur de liquide de rinçage **A** devrait être rempli lorsque le voyant de NIVEAU DE LIQUIDE DE RINÇAGE  est allumé à l'écran.



1. Ouvrez le distributeur **B** en appuyant et en tirant sur l'onglet sur le couvercle.
2. Versez doucement du liquide de rinçage jusqu'à la marque de référence (110 ml) du réservoir de remplissage - évitez les débordements. Si cela se produit, nettoyez les dégâts immédiatement avec un linge sec.
3. Appuyez sur le bouchon pour le fermer; un clic se fait entendre.

Ne JAMAIS verser le liquide de rinçage directement dans la cuve.

AJUSTER LE DOSAGE DU LIQUIDE DE RINÇAGE

Si vous n'êtes pas complètement satisfait avec le séchage, vous pouvez ajuster la quantité de liquide de rinçage utilisée.

- Allumez le lave-vaisselle en utilisant la touche **MARCHE/ARRÊT.**
- Éteignez-le en utilisant la touche **MARCHE/ARRÊT.**
- Appuyez sur la touche **P** à trois reprises - vous entendrez un bip.
- Allumez-le en utilisant la touche **MARCHE/ARRÊT.**
- Le numéro du niveau de sélection actuelle et le voyant du niveau de liquide de rinçage clignotent.
- Appuyez sur la touche **P** pour sélectionner la quantité de liquide de rinçage qui doit être utilisée.
- Éteignez-le en utilisant la touche **MARCHE/ARRÊT**

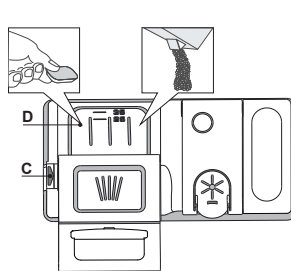
Le réglage est terminé !

Si le niveau de liquide de rinçage est à ZÉRO (ÉCO), il n'y aura pas de liquide de rinçage distribué. Le voyant LIQUIDE DE RINÇAGE BAS ne s'allumera pas s'il ne reste plus de liquide de rinçage.

Un maximum de 5 niveaux peuvent être réglés selon le modèle du lave-vaisselle. Les réglages d'usine sont spécifiques au modèle, merci de suivre les instructions ci-dessus pour vérifier ceux qui s'appliquent à votre machine.

- Si vous observez des traces bleuâtres sur la vaisselle, placez sur un niveau plus bas (1-2).
- Si vous observez des gouttelettes d'eau ou des traces de calcaire sur la vaisselle, placez sur un niveau plus haut (3-4).

REMPILIR LE DISTRIBUTEUR DE DÉTERGENT




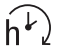
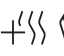



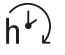

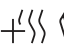



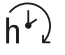

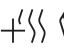


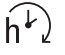



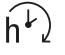


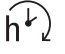
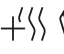


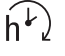


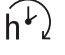

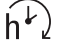
Pour ouvrir le distributeur de détergent, utilisez le dispositif d'ouverture C. Insérez le détergent dans le distributeur sec D seulement. Placez la quantité de détergent pour le prélavage directement dans la cuve.

1. Lorsque vous mesurez la lessive, consultez les informations mentionnées précédemment pour ajouter la quantité correcte. À l'intérieur du distributeur **D** se trouvent des indications pour aider au dosage de la lessive.
2. Enlevez les résidus de détergent sur le bord des récipients avant de fermer le couvercle; un clic se fait entendre.
3. Fermez le couvercle du distributeur de détergent en le tirant vers le haut jusqu'à ce que le dispositif soit fermement en place. Le distributeur de détergent s'ouvre automatiquement, au moment déterminé par le programme.

Si vous utilisez un détergent « tout-en-un », nous vous conseillons d'utiliser la touche **PASTILLE**, elle ajuste le programme de façon à toujours obtenir les meilleurs résultats de lavage et séchage.

L'utilisation d'un détergent non-conçu pour les lave-vaisselles peut provoquer un dysfonctionnement ou des dommages à l'appareil.

TABLEAU DES PROGRAMMES

Programme	Séchage	ActiveDry	Options disponibles *)	Durée du programme de lavage (h:min)**)	Consommation d'eau (l/cycle)	Consommation d'énergie (kWh/cycle)
1 Éco  50°	✓	✓	  	3:10	9,5	0,83
2 Auto Intensif  65°	✓	✓	    	2:00 - 3:10	14,0 - 17,0	1,50 - 1,85
3 Auto Mixte  55°	✓	✓	    	1:30 - 2:30	14,5 - 16,0	1,15 - 1,30
4 Auto Lavage rapide  50°	-	-	 	0:55 - 1:20	13,0 - 14,5	1,15 - 1,25
5 Rapide 30'  50°	-	-	  	0:30	9,0	0,50
6 Bonne nuit  50°	✓	✓	  	3:30	15,0	1,15
7 Antibactérien  65°	✓	-		1:40	10,0	1,30
8 Trempage  -	-	-	 	0:12	4,5	0,01
9 Autonettoyage  65°	-	-		0:50	8,0	0,85

Les données du programme Éco sont mesurées sous des conditions en laboratoire conformément à la norme européenne EN 60436:2020.

Note pour les laboratoires d'essai : pour toutes informations sur les conditions d'essai comparatif EN, s'adresser à : dw_test_support@whirlpool.com
Aucun prétraitement de la vaisselle n'est nécessaire avant l'un quelconque des programmes.

*) Les options ne peuvent pas toutes être utilisées en même temps.

**) Les valeurs indiquées pour des programmes différents du programme Éco sont fournis à titre indicatif uniquement. Le temps réel peut varier selon des facteurs comme la température et la pression de l'eau, la température de la pièce, la quantité de détergent, la quantité et le type de vaisselle, l'équilibre de la charge, les options supplémentaires sélectionnées, et la calibration du capteur. La calibration du capteur peut augmenter la durée du programme jusqu'à 20 minutes.

DESCRIPTION DES PROGRAMMES

Consignes pour la sélection du cycle de lavage.

1 ÉCO

Le programme Eco est adapté pour nettoyer la vaisselle normalement sale, et pour cette utilisation, c'est le programme le plus efficace en termes d'énergie combinée et de consommation d'eau, et il est utilisé pour évaluer la conformité à la législation européenne en matière d'éco-conception.

2 AUTO INTENSIF

Programme automatique pour la vaisselle et les casseroles très sales (ne pas utiliser pour la vaisselle délicate).

3 AUTO MIXTE

Programme automatique pour la vaisselle et les casseroles sales.

4 AUTO LAVAGE RAPIDE

Programme automatique pour peu de vaisselle normalement sale. Assure un nettoyage impeccable en très peu de temps.

5 RAPIDE 30'

Programme à utiliser pour la demi-charge de vaisselle légèrement sale sans résidus alimentaires séchés. N'a pas de phase de séchage.

6 BONNE NUIT

Adéquat lorsque l'appareil fonctionne la nuit. Assure un nettoyage et des performances de séchage optimaux avec les plus faibles émissions de bruit.

7 ANTIBACTÉRIEN

Vaisselle sale ou très sale, avec lavage antibactérien supplémentaire. Peut être utilisé pour effectuer l'entretien du lave-vaisselle.

8 TREMPAGE

Utilisez ce programme pour rafraîchir la vaisselle qui sera lavée plus tard. N'utilisez pas de détergent avec ce programme.

9 AUTONETTOYAGE

Programme à utiliser pour effectuer l'entretien du lave-vaisselle, à réaliser uniquement lorsque le lave-vaisselle est VIDE en utilisant des détergents spécifiques conçus pour l'entretien du lave-vaisselle.

Remarques :

Il convient de noter que le cycle *Rapide 30'* est destiné uniquement à la vaisselle légèrement sale.

OPTIONS ET FONCTIONS

Les OPTIONS peuvent être sélectionnées directement en appuyant sur la touche correspondante (voir PANNEAU DE COMMANDE).

Si une option n'est pas compatible avec le programme sélectionné (voir TABLEAU DES PROGRAMMES), le voyant correspondant clignote 3 fois et un bip se fait entendre. La fonction n'est pas activée.

ZONE WASH 3D

Travaux en option avec un rack à la fois. En particulier, nous recommandons de l'utiliser avec en cycle Mixte et Intensif - grâce aux jets d'eau 3D supplémentaires placés sur le fond de la cavité, l'option ZONE WASH 3D permet d'économiser de l'énergie ou d'augmenter les performances de lavage du lave-vaisselle :

- 3D ZONE WASH + CYCLE MIXTE : Il permet de réduire la consommation d'énergie jusqu'à 40%.
- 3D ZONE WASH + CYCLE INTENSIF : Il augmente les performances de lavage jusqu'à 40%. Idéal pour les charges mélangées très sales, par exemples les casseroles et les poêles, la vaisselle avec des saletés incrustées ou difficiles à nettoyer (friture ou légumes brûlés, coutellerie sale).

Comment activer l'option :

1. Sélectionner un cycle compatible
2. Par défaut, l'appareil lave la vaisselle sur tous les paniers. Pour seulement laver la vaisselle sur un panier particulier, appuyez plusieurs fois sur cette touche :



s'affiche à l'écran (panier inférieur seulement)



s'affiche à l'écran (panier supérieur seulement)



s'affiche à l'écran (compartiment à couvert seulement)



s'affiche à l'écran (l'option est ÉTEINTE et l'appareil lave la vaisselle sur tous les paniers).

Chargez seulement le panier supérieur ou inférieur, et réduisez la quantité de détergent en conséquence.

Si le panier supérieur est enlevé, appliquez le détergent directement dans la cuve au lieu du distributeur de détergent.

DIFFÉRÉ

Le début du programme peut être retardé pour une période entre **1 et 12 heures**.

1. Appuyez sur la touche DIFFÉRÉ : le symbole «h» correspondant apparaît sur l'écran ; chaque fois que vous appuyez sur la touche, le temps (1 heure, 2 heures, etc. jusqu'à un max de 12 heures) avant le début du cycle de lavage augmente.
2. Sélectionnez le programme de lavage, appuyez sur le bouton DÉPART/ Pause et dans les 4 secondes, fermez la porte : la minuterie commencera le compte à rebours.
3. Une fois le temps écoulé, le voyant «h» s'éteint et le cycle de lavage démarre.

Pour ajuster le délai et sélectionner une période de temps plus courte, appuyez sur la touche DIFFÉRÉ. Pour l'annuler, appuyez sur la touche à plusieurs reprises pour éteindre le voyant «h» de départ différé sélectionné.

La fonction DIFFÉRÉ ne peut pas être réglée une fois le programme en cours.

PASTILLE

Ce réglage vous permet d'optimiser le rendement du programme selon le type de détergent utilisé.

Appuyez sur la touche DÉPART/ Pause pendant 3 secondes (le symbole correspondant s'illumine) si vous utilisez un détergent sous la forme d'une pastille (liquide de rinçage, sel, et détergent en une seule dose).

Si vous utilisez un détergent en poudre ou liquide, cette option devrait être éteinte.

SHORT TIME

Cette option permet de réduire la durée des programmes principaux tout en conservant les niveaux de rendement du lavage et du séchage.

Après avoir sélectionné le programme, appuyez sur la touche SHORT TIME et le voyant s'illumine. Appuyez de nouveau sur la touche pour annuler l'option.

EXTRA DRY

Pour améliorer le séchage de la vaisselle, après avoir sélectionné le programme, appuyez sur la touche EXTRA DRY et le voyant s'illumine.

Une température plus élevée lors du dernier rinçage et une phase de séchage plus longue permet d'améliorer le séchage. Appuyez de nouveau sur la touche pour annuler l'option. L'option EXTRA DRY prolonge le cycle de lavage.

INDICATEUR DE FONCTIONNEMENT

Un voyant LED projeté sur le sol indique que le lave-vaisselle fonctionne. Un des modes de fonctionnement suivant peut être sélectionné :

- a) Fonction désactivée.
- b) Lorsque que le cycle est lancé, le voyant s'illumine quelques secondes; il reste éteint durant le cycle, et clignote à la fin du cycle.
- c) Le voyant reste allumé durant le cycle et clignote à la fin du cycle (mode par défaut).

Si le Départ différé est sélectionné, le voyant s'illumine durant les premières secondes, ou pour la durée du compte à rebours, selon que le mode b) ou c) ait été réglé.

Le voyant s'éteint chaque fois que la porte est ouverte. Pour sélectionner votre mode préféré, allumez l'appareil, appuyez sur la touche **P** jusqu'à ce qu'une des trois lettres apparaisse à l'écran, appuyez sur la touche **P** pour afficher la lettre (mode) désirée, et appuyez de nouveau sur la touche **P** pour confirmer votre sélection.

Remarque: si ActiveDry est activé et ouvre la porte, l'indicateur de fonctionnement ne clignotera pas à la fin du cycle.

ActiveDry

ActiveDry est un système de séchage à convection qui ouvre automatiquement la porte pendant/après la phase de séchage pour assurer une performance de séchage exceptionnelle chaque jour. La porte s'ouvre à la température qui est sûre pour les meubles de votre cuisine, donc la porte ne sera pas ouverte quand l'option SHORT TIME sera activée.

À titre de protection supplémentaire contre la vapeur, une feuille de protection spécifiquement conçue est ajoutée avec le lave-vaisselle. Pour voir comment monter la feuille de protection (consulter le GUIDE D'INSTALLATION).

La fonctionnalité ActiveDry pourrait être désactivée par l'utilisateur comme suit :

1. Allez au menu de logiciel du lave-vaisselle en appuyant et en maintenant le bouton **P** (6 sec).
2. Vous êtes actuellement dans le Menu Contrôle lumineux (consultez la description INDICATEUR DE FONCTIONNEMENT) si vous ne voulez rien changer, appuyez sur le bouton **P** et maintenez-le enfoncé (jusqu'à ce que l'une des deux lettres apparaisse sur l'écran).
3. Vous passez au Menu de contrôle ActiveDry, vous pouvez changer d'état de la fonctionnalité ActiveDry en appuyant sur le bouton « P » :

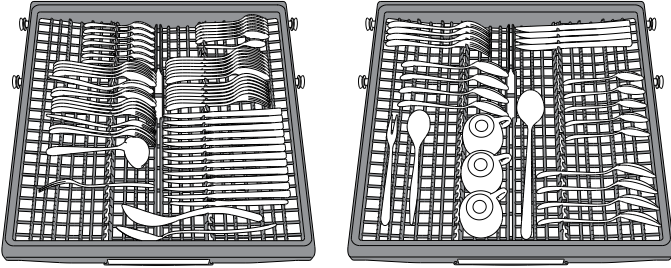
E – activé **d** – désactivé

Pour confirmer le changement et sortir du Menu de Contrôle, appuyez sur le bouton **P** et le maintenir enfoncé (3 sec).

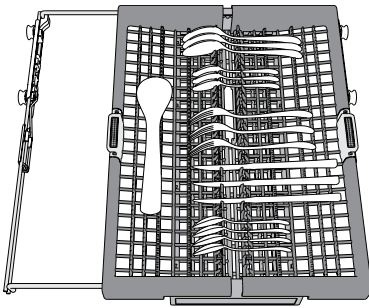
CHARGEMENT DES PANIERS

COMPARTIMENT À COUVERT

Le troisième panier a été conçu pour contenir les couverts. Placez les couverts comme illustré sur la figure. Séparer les couverts facilite le rangement après le cycle de lavage et améliore les programmes de lavage et de séchage.



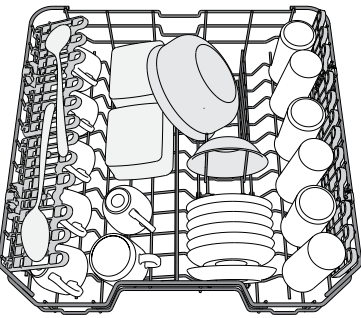
La géométrie du panier permet de placer des petits articles comme les tasses à cafés dans l'espace au centre.



Le panier à couvert comprend deux paniers coulissants sur les côtés pour optimiser l'utilisation de l'espace disponible et permettre le chargement de longs articles sur le panier supérieur.

Les couteaux et autres ustensiles avec des bords tranchants doivent être placés dans le panier à couvert avec la pointe vers le bas.

PANIER SUPÉRIEUR



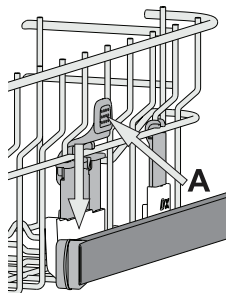
(exemple de chargement du panier supérieur)

Chargez la vaisselle délicate et légère: verres, tasses, soucoupes, saladiers bas.

Le panier supérieur comprend des supports rabattables qui peuvent être utilisés dans une position verticale lorsque vous placez les soucoupes à thé et à dessert, ou abaissé pour charger les bols et les récipients de nourriture.

AJUSTER LA HAUTEUR DU PANIER SUPÉRIEUR

Vous pouvez ajuster la hauteur du panier supérieur : position élevée pour placer la vaisselle encombrante sur le panier inférieur, et la position basse pour profiter au maximum des supports rabattables et créant plus d'espace vers le haut et éviter les chocs avec les articles sur le panier inférieur. Le panier supérieur comprend un **dispositif de réglage de la hauteur du panier supérieur** (voir figure), sans appuyer sur les leviers, simplement soulever en tenant le panier sur les côtés jusqu'à ce qu'il soit stable en position élevée. Pour abaisser le panier, appuyez sur les leviers **A** sur les côtés du panier et déplacez-le vers le bas.



Nous vous conseillons fortement de ne pas ajuster la hauteur du panier lorsqu'il est chargé.

Ne JAMAIS soulever ou abaisser un seul côté du panier.

VOLETS PLIABLES AVEC POSITIONS AJUSTABLES

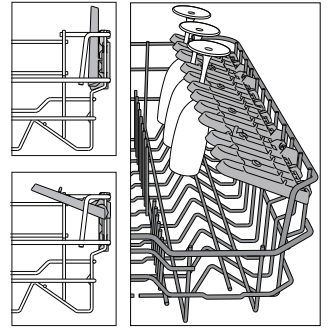
Les volets pliables latéraux peuvent être pliés ou dépliés afin d'optimiser la disposition de la vaisselle à l'intérieur du rack.

Les verres de vin peuvent être placés de façon sécuritaire dans les volets pliables en insérant le pied de chaque verre dans la fente correspondante.

Selon le modèle :

- pour déplier les volets, il est nécessaire de les coulisser vers le haut et de les tourner ou de les libérer des griffes et de les tirer vers le bas.

- pour replier les volets, il est nécessaire de les tourner et de les faire coulisser vers le bas ou de les tirer vers le haut et de fixer les pattes aux griffes.



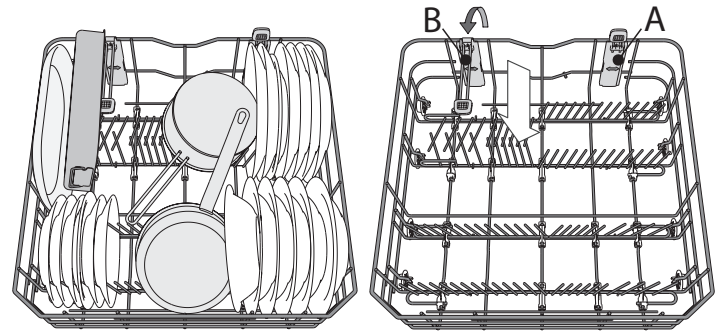
PANIER INFÉRIEUR

Pour les poêles, les couvercles, les plats, les saladiers, les couverts, etc. Les grands plats et les grands couvercles devraient être placés sur le côté pour éviter qu'ils n'entravent le fonctionnement des bras d'aspersion.

Le panier inférieur comprend des supports rabattables qui peuvent être placés en position verticale pour charger des plaques, ou en position horizontale (bas) pour faciliter le chargement des casseroles et des bols de salade.

Le panier inférieur comprend une Space Zone (Zone d'espace) **A** (présents uniquement sur certains modèles, ils peuvent varier au point de vue nombre), un support spécial qui se trouve à l'arrière du panier, qui peut être utilisé pour supporter les poêles à frire et les moules dans une position verticale, prenant ainsi moins de place.

Pour l'utiliser, simplement agrippez la poignée de couleur et tirez la vers le haut tout **B** en la tournant vers l'avant. Les supports peuvent glisser vers la droite ou la gauche pour s'ajuster à la grandeur de la vaisselle.

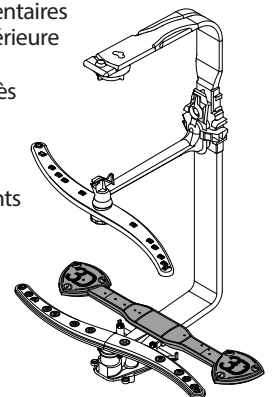


(exemple de chargement du panier inférieur)

ZONE WASH 3D

Zone Wash 3D utilise des jets d'eaux supplémentaires situés à la fois : dans la partie supérieure et inférieure du lave-vaisselle (marqués de couleur orange) pour laver plus intensivement des éléments très sales en augmentant la couverture d'eau sur les assiettes.

Exemple: charger les pots et casseroles orientés vers la partie inférieure des composants de Zone Wash 3D et activer l'option 3D Zone Wash sur le panneau.



UTILISATION QUOTIDIENNE

1. VÉRIFIER LE BRANCHEMENT DE L'EAU

Assurez-vous que l'appareil est raccordé à un réseau d'alimentation et que le robinet de l'eau est ouvert.

2. ALLUMER LE LAVE-VAISSELLE

Ouvrez la porte et appuyez sur la touche **MARCHE/ARRÊT**.

3. CHARGER LES PANIERS (voir CHARGEMENT DES PANIERS).

4. REMPLIR DE DISTRIBUTEUR DE DÉTERGENT

5. CHOISIR LE PROGRAMME ET PERSONNALISER LE CYCLE

Sélectionnez le meilleur programme selon le type de vaisselle et le niveau de saleté (voir *DESCRIPTION DES PROGRAMMES*) en appuyant sur la touche **P**.

Sélectionnez les options désirées (voir *OPTIONS ET FONCTIONS*).

6. DÉMARRER

Démarrez le cycle de lavage en appuyant sur le bouton **DÉPART/ Pause** (le témoin est allumé) et en fermant la porte dans les 4 secondes. Quand le programme démarre, vous entendez un bip simple. Si la porte n'a pas été fermée dans les 4 secondes, le signal d'alarme est activé. Dans ce cas, ouvrez la porte, appuyez sur le bouton **DÉPART/ Pause** et fermez de nouveau la porte dans les 4 sec.

7. FIN DU CYCLE DE LAVAGE

La fin du cycle de lavage est indiquée par des bips et par le clignotement du nombre de cycles de lavage sur l'écran. Ouvrez la porte et éteignez l'appareil en appuyant sur la touche **MARCHE/ARRÊT**.

Pour éviter de vous brûler, attendez quelques minutes avant de retirer la vaisselle. Déchargez les paniers en commençant par le panier inférieur.

L'appareil s'éteint automatiquement durant des périodes d'inactivité prolongées pour réduire la consommation d'énergie. Si la vaisselle est légèrement sale ou si elle a été rincée avec à l'eau avant d'être placée dans le lave-vaisselle, réduisez la quantité de détergent utilisée en conséquence.

MODIFIER UN PROGRAMME EN COURS

Si vous avez sélectionné le mauvais programme, vous pouvez le changer, à condition que ce soit fait au tout début du cycle: ouvrir la porte, appuyer sur le bouton **MARCHE/ARRÊT** et le maintenir enfoncé, la machine s'éteindra.

Rallumez l'appareil en appuyant sur la touche **MARCHE/ARRÊT** et sélectionnez le nouveau cycle de lavage et les options désirées ; lancer le cycle en appuyant sur le bouton **DÉPART/ Pause** et en fermant la porte dans les 4 sec.

AJOUTER DE LA VAISSELLE

Sans éteindre la machine, ouvrir la porte (Le voyant **DÉPART/ Pause** commencera à clignoter) (**attention à la vapeur CHAUDE !**) et placer la vaisselle à l'intérieur du lave-vaisselle. Appuyer sur le bouton **DÉPART/ Pause** et fermer la porte dans les 4 sec, le cycle reprendra à l'endroit où il a été interrompu.

INTERRUPTIONS IMPRÉVUES

Si la porte est ouverte pendant le cycle de lavage, ou s'il y a une coupure de courant, le cycle s'arrête. Pour reprendre le cycle à l'endroit où il a été interrompu, appuyer sur le bouton **DÉPART/ Pause** et fermer la porte dans les 4 sec.

AVIS ET CONSEILS

CONSEILS

Avant de charger les paniers, enlevez tous les résidus de nourriture sur la vaisselle et videz les verres. **Vous n'avez pas besoin de rincer la vaisselle avant de la placer dans le lave-vaisselle.**

Placez la vaisselle pour qu'elle tienne bien en place et ne risque pas de tomber; et placez les récipients avec les ouvertures vers le bas et les parties concaves/convexes de côté pour permettre à l'eau d'atteindre toutes les surfaces et couler librement.

Avertissement : les couvercles, poignées, plaques et poêles à frire n'empêchent pas les bras d'aspersion de tourner. Placez les petits articles dans le panier à couvert. La vaisselle et les casseroles très sales devraient être placées sur le panier inférieur car les jets d'eau sont plus forts dans cette section et permet un meilleur rendement lors du lavage. Après avoir chargé l'appareil, assurez-vous que les bras d'aspersion peuvent bouger librement.

VAISSELLE QUI NE CONVIENT PAS

- Vaisselle et couverts en bois.
- Verres décoratifs délicats, produits artisanaux, et vaisselle antique. Les garnitures ne sont pas résistantes.
- Les pièces en matériel synthétique qui ne supportent pas les hautes températures.
- La vaisselle en cuivre ou en étain.
- La vaisselle tachée de cendre, de cire, de graisse lubrifiante, ou d'encre.

Les couleurs des garnitures de verre et des pièces d'aluminium/argent peuvent changer et ternir durant le cycle de lavage. Certains types de verre (p. ex. les objets en cristal) peuvent aussi devenir opaque après plusieurs cycles de lavage.

VERRES ET VAISSELLE ENDOMMAGÉS

- Seulement utiliser des verres ou de la porcelaine qui sont lavables au lave-vaisselle conformément aux recommandations du fabricant.
- Utilisez un détergent doux, adéquat pour la vaisselle.
- Retirez les verres et les couverts du lave-vaisselle aussitôt que le cycle de lavage est terminé

ASTUCES SUR L'ÉCONOMIE D'ÉNERGIE

- Lorsque le lave-vaisselle domestique est utilisé conformément aux instructions du fabricant, **le lavage de la vaisselle dans un lave-vaisselle consomme habituellement MOINS D'ÉNERGIE et d'eau que le lavage à la main.**
- Afin d'optimiser l'efficacité du lave-vaisselle, il est recommandé de **débuter le cycle de lavage une fois que le lave-vaisselle est totalement chargé.** Le chargement du lave-vaisselle domestique jusqu'à la capacité indiquée par le fabricant contribuera à économiser de l'énergie et de l'eau. Vous trouverez des informations sur le chargement correct de la vaisselle dans le chapitre CHARGEMENT DES PANIERS. En cas de chargement partiel, il est recommandé d'utiliser des options de lavage spécifiques si elles sont disponibles (Demi-charge / Zone Wash/ Multizone), en remplissant uniquement les paniers sélectionnés. Un chargement incorrect ou une surcharge du lave-vaisselle peut augmenter l'utilisation des ressources (telles que l'eau, l'énergie et le temps, et augmenter le niveau de bruit), en réduisant les performances de nettoyage et de séchage.
- Un pré-rinçage manuel des éléments de vaisselle provoque une augmentation de la consommation d'eau et d'énergie et n'est pas recommandé.

HYGIÈNE

Pour éviter les odeurs et les dépôts qui pourraient s'accumuler dans le lave-vaisselle, **lancer un programme à haute température au moins une fois par mois.** Utilisez une cuillère à café de détergent et lancer le programme sans vaisselle pour nettoyer l'appareil.

NETTOYAGE ET ENTRETIEN

NETTOYER L'ENSEMBLE FILTRE

Nettoyez régulièrement l'ensemble filtre pour éviter qu'il ne se bouche et pour permettre aux eaux usées de bien s'éliminer.

L'utilisation du lave-vaisselle avec des filtres obstrués ou des objets étrangers à l'intérieur du système de filtration ou des bras de pulvérisation peut provoquer un dysfonctionnement de l'unité provoquant une perte de performances, un fonctionnement bruyant ou une utilisation supérieure des ressources.

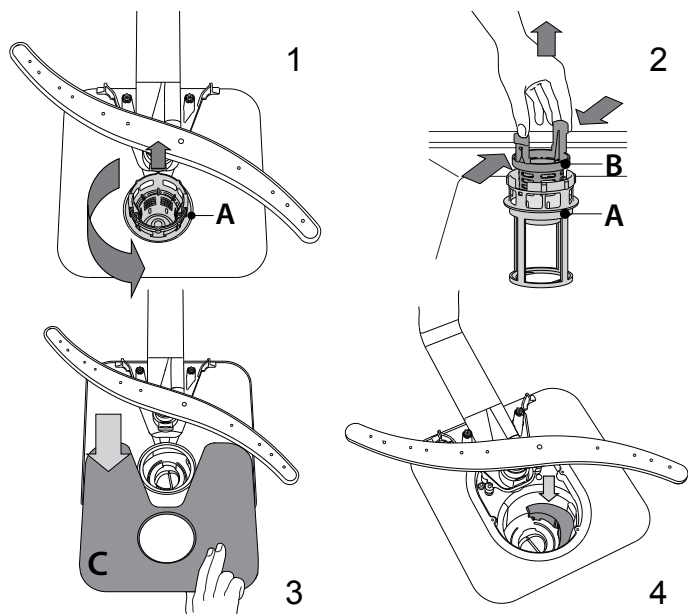
L'ensemble filtre comprend trois filtres qui séparent les résidus de nourriture de l'eau de lavage pour ensuite faire circuler l'eau.

N'utilisez pas le lave-vaisselle sans les filtres ou si un filtre est mal ajusté.

Au moins une fois par mois ou tous les 30 cycles, vérifiez l'assemblage du filtre et si nécessaire, nettoyez-le minutieusement sous l'eau courante, en utilisant une brosse non-métallique et en suivant les instructions ci-dessous :

1. Tournez le filtre cylindrique **A** dans le sens antihoraire et retirez-le (Fig. 1).
2. Enlevez le panier du filtre **B** en appliquant une légère pression sur les volets latéraux (Fig. 2).
3. Retirez la plaque du filtre en acier inoxydable **C** (Fig. 3).
4. Si vous trouvez des objets étrangers (comme du verre brisé, de la porcelaine, des os, des pépins de fruits, etc), enlevez-les minutieusement.
5. Inspecter la cavité et enlever les résidus de nourriture.

NE JAMAIS ENLEVER la protection de la pompe du cycle de lavage (détails en couleur noir) (Fig 4).



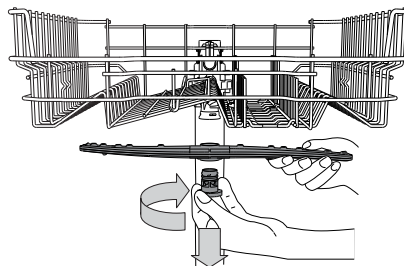
Après avoir nettoyé les filtres, assemblez de nouveau l'ensemble filtre et remettez-le en place correctement; c'est très important pour que le lave-vaisselle garde son efficacité.

NETTOYER LE TUYAU D'ARRIVÉE D'EAU

Si les tuyaux d'eau sont neufs ou s'ils n'ont pas été utilisés depuis longtemps, laissez l'eau couler pour vous assurer qu'il n'y a pas d'impureté ou de saleté avant de les brancher. Si vous n'effectuez pas cette opération, l'arrivée d'eau pourrait se boucher et endommager le lave-vaisselle.

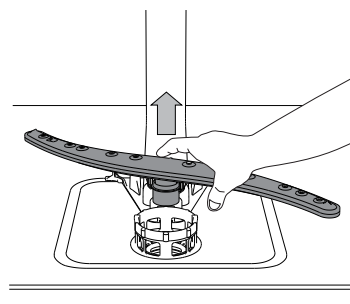
NETTOYER LES BRAS D'ASPERSION

À l'occasion, des résidus de nourriture s'incrument dans les bras d'aspersion et bloquent les trous utilisés pour asperger de l'eau. Il est donc conseillé de vérifier les bras de temps en temps et de les nettoyer avec une petite brosse non métallique.



Pour enlever le bras d'aspersion supérieur, tournez l'anneau de verrouillage en plastique dans le sens horaire. Le bras d'aspersion supérieur doit être replacé de façon que le côté avec le plus grand nombre de trous est placé vers le haut.

Le bras d'aspersion inférieur peut être enlevé en le tirant vers le haut.



SYSTÈME ADOUCISSEUR D'EAU

L'adoucisseur d'eau réduit automatiquement la dureté de l'eau, en empêchant ainsi la formation de calcaire sur la résistance, et en contribuant également à une meilleure performance de nettoyage.

Ce système se régénère avec du sel, il est donc nécessaire de remplir le bac de sel lorsqu'il est vide.

La fréquence de régénération dépend du réglage du niveau de dureté de l'eau - la régénération a lieu une fois tous les 6 cycles Eco avec un niveau de dureté de l'eau réglé à 3.

Le processus de régénération débute lors du rinçage final et se termine en phase de séchage avant la fin du cycle.

- Une régénération simple consomme : ~3,5 L d'eau ;
- Prend jusqu'à 5 minutes supplémentaires pour le cycle ;
- Consomme moins de 0,005 kWh d'énergie.

DÉPANNAGE

Si votre lave-vaisselle ne fonctionne pas correctement, vérifiez si le problème peut être résolu en suivant la liste ci-après. Pour d'autres erreurs ou problèmes, contactez le Service après-vente agréé dont les coordonnées peuvent être trouvées dans le livret de garantie. Les pièces de rechange seront disponibles pour une période allant jusqu'à 7 ou jusqu'à 10 ans, selon les exigences spécifiques du règlement.

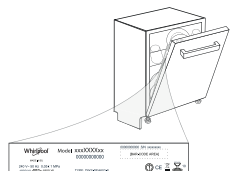
PROBLÈMES	CAUSES POSSIBLES	SOLUTIONS
L'indicateur de sel est allumé	Le réservoir de sel est vide. (Après le remplissage, il est possible que le voyant du niveau de sel régénérant ne s'éteigne qu'au bout de plusieurs cycles de lavage).	Remplissez le réservoir de sel régénérant (pour plus d'informations, reportez-vous à la page 2). Réglez la dureté de l'eau - reportez-vous au tableau de la page 2.
Le voyant de liquide de rinçage est allumé	Le distributeur de liquide de rinçage est vide. (Après le remplissage, il est possible que le voyant du niveau de liquide de rinçage ne s'éteigne qu'au bout de plusieurs cycles de lavage).	Remplissez le distributeur de liquide de rinçage (pour plus d'informations, reportez-vous à la page 2).
Le lave-vaisselle ou les commandes ne fonctionnent pas.	L'appareil n'est pas bien branché.	Insérez la fiche dans la prise de courant.
	Panne de courant.	Pour des raisons de sécurité, le lave-vaisselle ne redémarrera pas automatiquement lors du retour de l'alimentation électrique. Ouvrez la porte du lave-vaisselle, appuyez sur le bouton DÉPART/Pause, et fermez la porte dans les 4 secondes.
	La porte du lave-vaisselle n'est pas fermée. Broche ActiveDry non entrée.	Poussez vigoureusement la porte pour entendre le « clic ».
	Le cycle est interrompu par une ouverture de la porte supérieure à 4 secondes.	Appuyer sur DÉPART/Pause et fermer la porte dans les 4 secondes
	Les commandes ne fonctionnent pas. L'afficheur indique : 9 ou 12 et le voyant MARCHE/ARRÊT clignote rapidement.	Éteindre l'appareil en appuyant sur la touche MARCHE/ARRÊT , rallumez-le environ une minute après, et recommencer le programme. Si le problème persiste, débranchez l'appareil pendant 1 minute, puis rebranchez-le.
Le lave-vaisselle ne se vidange pas. L'afficheur indique : 3 et le voyant MARCHE/ARRÊT clignote rapidement.	Le cycle de lavage n'est pas encore terminé.	Attendre que le cycle se termine.
	Le tuyau de vidange est plié.	Assurez-vous que le tuyau de vidange n'est pas plié (voir <i>CONSIGNES D'INSTALLATION</i>).
	Le conduit de vidange de l'évier est bouché.	Nettoyez le conduit de vidange de l'évier.
	Le filtre est bouché par des résidus de nourriture.	Nettoyez le filtre (voir <i>NETTOYAGE DE L'ENSEMBLE FILTRE</i>).
Le lave-vaisselle fait beaucoup de bruit.	La vaisselle s'entrechoque.	Remplacez la vaisselle (voir <i>CHARGEMENT DES PANIERS</i>).
	Il y a une trop grande quantité de mousse.	Le détergent a été mal mesuré ou il n'est pas adéquat pour les lave-vaisselles (voir <i>REMPLIR LE DISTRIBUTEUR DE DÉTERGENT</i>). Relancez le cycle en éteignant le lave-vaisselle, puis en le rallumant, sélectionnez un nouveau programme, appuyez sur DÉPART/Pause et fermez la porte dans les 4 secondes. Merci de ne pas ajouter de détergent.
La vaisselle n'est pas propre.	La vaisselle n'est pas bien placée.	Remplacez la vaisselle (voir <i>CHARGEMENT DES PANIERS</i>).
	Les bras d'aspersion ne bougent pas librement, ils sont gênés par la vaisselle.	Remplacez la vaisselle (voir <i>CHARGEMENT DES PANIERS</i>).
	Le cycle de lavage est trop délicat.	Sélectionnez le cycle de lavage approprié (voir <i>TABLEAU DES PROGRAMMES</i>).
	Il y a une trop grande quantité de mousse.	Le détergent a été mal mesuré ou il n'est pas adéquat pour les lave-vaisselles (voir <i>REMPLIR LE DISTRIBUTEUR DE DÉTERGENT</i>).
	Le bouchon du compartiment de liquide de rinçage n'est pas bien fermé.	Assurez-vous que le bouchon du distributeur de liquide de rinçage est fermé.
	Le filtre est sale ou bouché.	Nettoyez l'ensemble de filtre (voir <i>NETTOYAGE ET ENTRETIEN</i>).
	Il n'y a pas de sel.	Remplir le réservoir de sel (voir <i>REMPLIR LE RÉSERVOIR DE SEL</i>).
L'eau n'arrive pas au lave-vaisselle. L'afficheur indique : H , 6 et le voyant MARCHE/ARRÊT clignote rapidement.	L'alimentation d'eau est vide ou le robinet est fermé.	Assurez-vous qu'il y a de l'eau dans le circuit d'alimentation ou que le robinet est ouvert.
	Le tuyau d'arrivée est plié.	Assurez-vous que le tuyau d'entrée n'est pas plié (voir <i>INSTALLATION</i>) reprogrammez le lave-vaisselle et relancez-le.
	Le tamis dans le tuyau d'arrivée d'eau est obstrué ; il est nécessaire de le nettoyer.	Après avoir complété la vérification et le nettoyage, éteignez et rallumez le lave-vaisselle et redémarrez le programme.
Le lave-vaisselle termine le cycle prématurément. L'afficheur indique : 15 et le voyant MARCHE/ARRÊT clignote rapidement.	Le tuyau de vidange est positionné trop bas ou se vide dans le système d'évacuation domestique.	Vérifiez si l'extrémité du tuyau de vidange est placée à la hauteur correcte (voir <i>INSTALLATION</i>). Vérifiez la vidange dans le système d'évacuation domestique, installez une vanne d'admission d'air si nécessaire.
	De l'air est présent dans l'alimentation en eau.	Vérifiez si l'alimentation en eau présente des fuites ou d'autres problèmes laissant entrer de l'air.



Vous trouverez les documents normatifs, la documentation standard, le classement des pièces de rechange et des informations supplémentaires sur les produits:

- En utilisant le code QR et en visitant notre site web docs.hotpoint.eu
- En visitant notre site web parts-selfservice.whirlpool.com
- Vous pouvez également **contacter notre Service après-vente** (voir numéro de téléphone dans le livret de garantie). Lorsque vous contactez notre Service après-vente, veuillez indiquer les codes figurant sur la plaque signalétique de l'appareil.

Les informations relatives au modèle peuvent être trouvées en utilisant le QR-Code figurant sur l'étiquette énergétique. L'étiquette comprend également l'identifiant du modèle qui peut être utilisé pour consulter le portail du registre sur le site <https://eprel.ec.europa.eu>.



400011644356B

08/2023 jk - Xerox Fabriano



GUIDA RAPIDA GUASTI



GRAZIE PER AVER ACQUISTATO UN PRODOTTO HOTPOINT ARISTON. Per ricevere assistenza in modo più completo, registrare il proprio apparecchio sul sito: www.hotpoint.eu/register

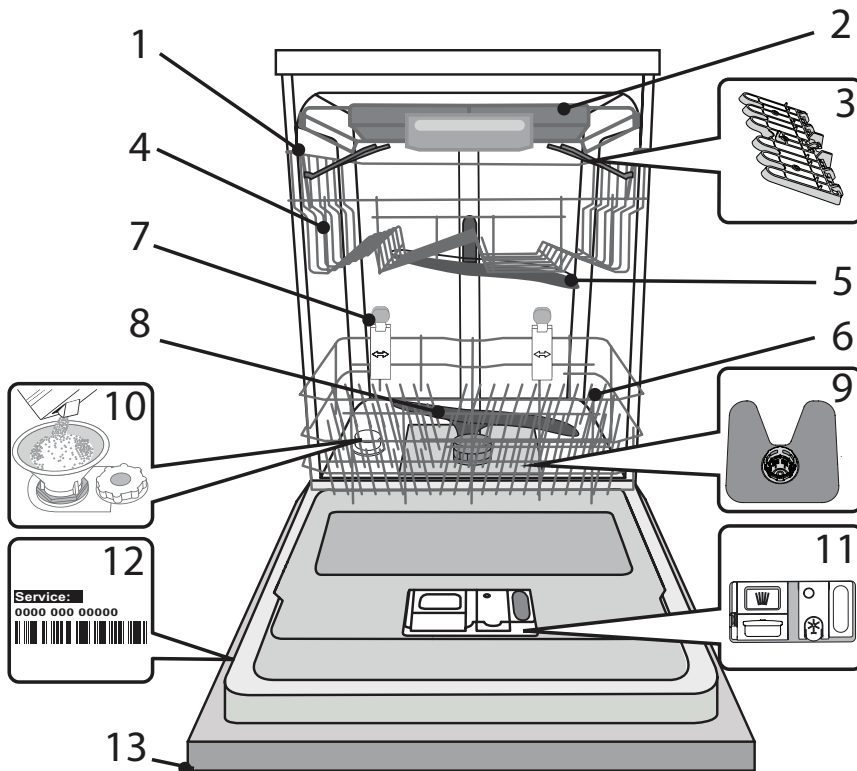


È possibile scaricare le Istruzioni per la sicurezza e le Istruzioni per l'uso dal sito docs.hotpoint.eu; seguire quindi le istruzioni riportate sul retro del presente libretto.

Prima di utilizzare l'apparecchio, leggere attentamente le Istruzioni per la sicurezza.

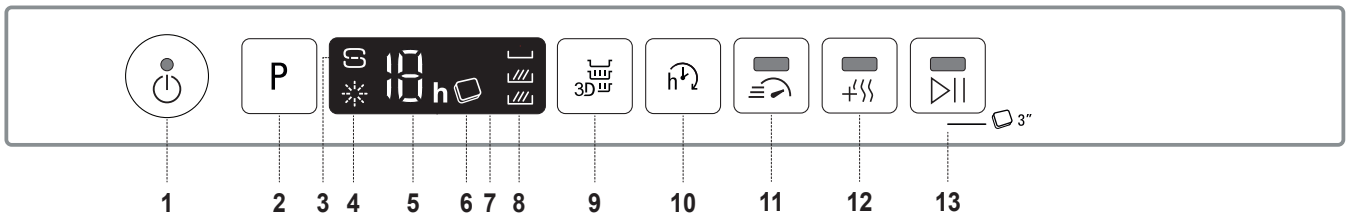
DESCRIZIONE PRODOTTO

APPARECCHIO



1. Cestello superiore
2. Cestello portaposate
3. Sponde ribaltabili
4. Regolatore altezza cestello superiore
5. Braccio aspersore superiore
6. Cestello inferiore
7. Space Zone
8. Braccio aspersore inferiore
9. Gruppo filtro
10. Distributore del sale
11. Distributori per detersivo e brillantante
12. Targhetta matricola
13. Pannello comandi

PANNELLO COMANDI



1. Tasto Accensione-Spegnimento/Ripristino e relativa spia
2. Tasto di selezione programmi
3. Indicatore di riempimento del sale
4. Indicatore di riempimento del brillantante
5. Numero programma e indicatore di durata del ritardo
6. Spia Pastiglia
7. Display
8. Spia Zone Wash 3D
9. Tasto Zone Wash 3D
10. Tasto di Avvio ritardato
11. Tasto funzione Short Time e relativa spia
12. Tasto funzione Extra Dry e relativa spia
13. Tasto AVVIO/Pausa e relativa spia/ Pastiglia

PRIMO UTILIZZO

SALE, BRILLANTANTE E DETERSIVO


SUGGERIMENTO PER IL PRIMO UTILIZZO

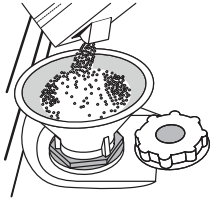
Dopo aver completato l'installazione, togliere i fermi dai cestelli e gli elementi elastici di ritegno dal cestello superiore.

RIFORMIMENTO DEL SERBATOIO DEL SALE

L'uso di sale previene la formazione di CALCARE sulla superficie dei piatti e sui componenti della macchina.

- È indispensabile che **IL SERBATOIO DEL SALE NON SIA MAI VUOTO.**
- È essenziale quindi che il livello di durezza dell'acqua sia stato impostato.

Il serbatoio del sale è situato nella parte inferiore della lavastoviglie (vedere DESCRIZIONE PRODOTTO) e deve essere obbligatoriamente rifornito ogni volta che l'indicatore di RIEMPIMENTO SALE  sul pannello comandi si accende.



1. Togliere il cestello inferiore e svitare il tappo del serbatoio (ruotare in senso antiorario).
2. **Solo la prima volta: riempire d'acqua il serbatoio del sale.**
3. Sistemare opportunamente l'imbuto (vedere figura) e rifornire il serbatoio del sale fino all'orlo (circa 1 kg); Non è inconsueto che l'acqua trabocchi leggermente.
4. Togliere l'imbuto ed eliminare qualsiasi residuo di sale dall'areacircostante l'apertura.

Accertarsi che il tappo sia adeguatamente serrato per evitare l'ingresso di detersivo all'interno della vaschetta durante il programma di lavaggio (ciò potrebbe causare il danneggiamento del dispositivo addolcente senza possibilità di riparazione).

Ogni volta che occorre aggiungere sale, la procedura deve essere necessariamente eseguita prima dell'inizio del ciclo di lavaggio per evitare rischi di corrosione.

IMPOSTAZIONE DELLA DUREZZA DELL'ACQUA

Per consentire che il dispositivo addolcente dell'acqua agisca al meglio, è essenziale che l'impostazione del livello di durezza dell'acqua tenga conto della sua durezza effettiva nell'utenza domestica. È possibile ottenere il valore di durezza dell'acqua nell'utenza domestica rivolgendosi al proprio fornitore. Il valore predefinito per la durezza dell'acqua viene impostato in fabbrica.

- Azionare l'apparecchio agendo sul tasto **ACCENSIONE/SPEGNIMENTO.**
- Disattivare l'apparecchio agendo sullo stesso tasto **ACCENSIONE/SPEGNIMENTO.**
- Tenere premuto il tasto **P** per 5 secondi, fino a udire il segnale corrispondente.
- Azionare l'apparecchio agendo sul tasto **ACCENSIONE/SPEGNIMENTO.**
- Il numero corrispondente al livello di selezione corrente e l'indicatore di livello del sale lampeggiano entrambi.
- Premere il tasto **P** per selezionare il livello di durezza dell'acqua richiesto (vedere TABELLA DEI LIVELLI DI DUREZZA DELL'ACQUA).
- Disattivare l'apparecchio agendo sullo stesso tasto **ACCENSIONE/SPEGNIMENTO.**

Tabella di durezza dell'acqua				
Livello		°dH	°fH	°Clark
		Gradi tedeschi	Gradi francesi	Gradi inglesi
1	Dolce	0 - 6	0 - 10	0 - 7
2	Moderatamente dolce	7 - 11	11 - 20	8 - 14
3	Medio	12 - 16	21 - 29	15 - 20
4	Dura	17 - 34	30 - 60	21 - 42
5	Molto dura	35 - 50	61 - 90	43 - 62

La procedura di impostazione è stata completata!

Non appena completata tale procedura, avviare uno dei programmi senza carico.

Utilizzare soltanto sale di tipo specifico per lavastoviglie.

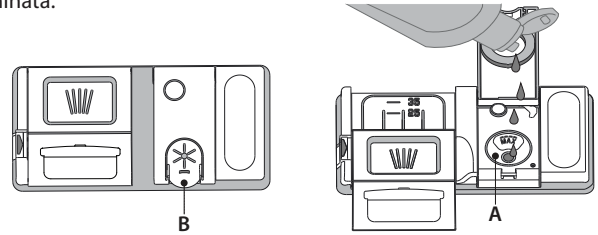
Dopo aver versato il sale all'interno della macchina, la spia riempimento SALE si spegne.

La mancanza di sale nel serbatoio potrebbe danneggiare l'addolcitore d'acqua e la resistenza per effetto dell'accumulo di calcare.

L'uso del sale è consigliato con qualsiasi tipo di detersivo per lavastoviglie.

RIEMPIMENTO DEL DISTRIBUTORE BRILLANTANTE

L'utilizzo di brillantante facilita il processo di ASCIUGATURA delle stoviglie. Il distributore di brillantante **A** deve essere riempito ogni volta che a spia dell'indicatore di RIEMPIMENTO BRILLANTANTE  sul pannello comandi è illuminata.



1. Aprire il distributore B esercitando opportuna pressione e quindi sollevando la linguetta posta sul coperchio.
2. Versare delicatamente il brillantante fino al segno che indica il livello di riferimento massimo (110 ml), ma evitandone la fuoriuscita. Nel caso in cui ciò si verifichi, asciugare immediatamente il liquido fuoriuscito mediante un panno asciutto.
3. Abbassare il coperchio fino ad avvertire lo scatto che ne segnala la chiusura. **Non versare MAI il brillantante direttamente all'interno della vaschetta.**

REGOLAZIONE DEL DOSAGGIO DI BRILLANTANTE

Se non si è completamente soddisfatti del processo di asciugatura, è possibile regolare la quantità di brillantante da utilizzare.

- Azionare la lavastoviglie agendo sul tasto **ACCENSIONE/SPEGNIMENTO.**
 - Disattivare la lavastoviglie utilizzando lo stesso tasto **ACCENSIONE/SPEGNIMENTO.**
 - Premere tre volte il tasto **P**: si avverte il segnale corrispondente.
 - Azionare la lavastoviglie mediante il tasto **ACCENSIONE/SPEGNIMENTO.**
 - Il numero corrispondente alla selezione corrente e la spia del brillantante lampeggiano entrambi.
 - Premere sul tasto **P** per impostare il livello di brillantante corrispondente alla quantità richiesta.
 - Disattivare utilizzando il tasto **ACCENSIONE/SPEGNIMENTO**
- La procedura di impostazione è stata completata!

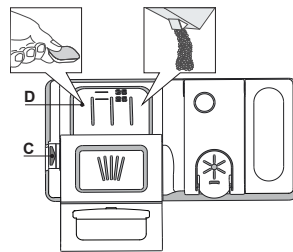
Nel caso in cui il livello di brillantante sia impostato su ZERO (ECO), il brillantante non viene erogato. In caso di esaurimento del brillantante la spia BRILLANTANTE INSUFFICIENTE non è illuminata.

A seconda del modello di lavastoviglie è possibile impostare al massimo 5 livelli di dosaggio. Le impostazioni di fabbrica dipendono dal modello; seguire le istruzioni precedenti in base alle caratteristiche del proprio apparecchio.

- In presenza di strisce con sfumature blu sulla superficie dei piatti, impostare un livello di dosaggio basso (1-2).
- In presenza di gocce d'acqua o di calcare sulla superficie dei piatti impostare invece dosaggi alti (3-4).

RIEMPIMENTO DEL DISTRIBUTORE DETERSIVO

Per aprire il distributore detersivo utilizzare il dispositivo di apertura C. Versare il detersivo esclusivamente nel distributore D asciutto. Mettere la dose di detersivo per il prelavaggio direttamente all'interno del distributore.



1. Per il dosaggio corretto del detersivo fare riferimento ai dati sopra riportati. La vaschetta **D** contiene indicatori di livello per facilitare il dosaggio del detersivo.
2. Eliminare eventuali residui di detersivo dai bordi del distributore e chiudere il coperchio fino ad avvertire lo scatto caratteristico.
3. Chiudere il coperchio del distributore sollevandolo fino a portare il dispositivo di chiusura in sede.

Il distributore del detersivo si apre automaticamente quando previsto dal programma in uso.

Se si utilizzano detersivi del tipo „All in one“, si consiglia di servirsi del tasto **PASTIGLIA** per impostare il programma in modo da ottenere sempre i migliori risultati nel lavaggio e nell'asciugatura.

L'uso di un detersivo non specifico per lavastoviglie potrebbe causare malfunzionamenti o danni all'apparecchio.

TABELLA DEI PROGRAMMI

Programma	Fase di asciugatura	ActiveDry	Opzioni disponibili *)	Durata programma di lavaggio (h:min)**)	Consumo d'acqua (litri/ciclo)	Consumo energetico (kWh/ciclo)	
1 Eco	50°	✓	✓		3:10	9,5	0,83
2 Auto Intensivo	A 65°	✓	✓		2:00 - 3:10	14,0 - 17,0	1,50 - 1,85
3 Auto Misti	A 55°	✓	✓		1:30 - 2:30	14,5 - 16,0	1,15 - 1,30
4 Auto Lavaggio Rapido	A 50°	-	-		0:55 - 1:20	13,0 - 14,5	1,15 - 1,25
5 Rapido 30'	50°	-	-		0:30	9,0	0,50
6 Buona Notte	50°	✓	✓		3:30	15,0	1,15
7 Disinfezione	65°	✓	-		1:40	10,0	1,30
8 Ammollo	-	-	-		0:12	4,5	0,01
9 Autopulente	65°	-	-		0:50	8,0	0,85

La misurazione dei dati per la creazione del programma ECO avviene in condizioni di laboratorio secondo quanto prescritto dalle norme europee EN 60436:2019. Nota per i laboratori di Prove: per informazioni sulle condizioni della prova comparativa EN. farne richiesta all'indirizzo: dw_test_support@whirlpool.com

Questi programmi non richiedono un pre-trattamento delle stoviglie.

*) Non è possibile selezionare tutte le opzioni contemporaneamente.

**) Ad eccezione del programma Eco, i valori riportati per gli altri programmi sono puramente indicativi.

La durata effettiva può dipendere da molti fattori, quali la temperatura e la pressione dell'acqua di alimentazione, la temperatura ambiente, la dose di detersivo utilizzata, la quantità e il tipo di carico e il suo bilanciamento, la selezione di determinate opzioni e la taratura dei sensori. La taratura dei sensori può prolungare la durata dei programmi anche di 20 minuti.

DESCRIZIONE DEI PROGRAMMI

Istruzioni per selezionare il ciclo di lavaggio.

1 ECO

Il programma Eco è indicato per le stoviglie mediamente sporche; è il programma più efficiente in termini di consumo combinato di acqua ed energia per questo tipo di stoviglie e viene usato per valutare la conformità dell'apparecchio alla legislazione UE in materia di progettazione ecocompatibile.

2 AUTO INTENSIVO

Programma automatico per piatti e pentole molto sporchi (da non utilizzare con stoviglie delicate).

3 AUTO MISTI

Programma automatico per pentole e piatti dallo sporco normale.

4 AUTO LAVAGGIO RAPIDO

Programma automatico per un carico ridotto di stoviglie normalmente sporche. Permette di ottenere un risultato di lavaggio ottimale in un tempo più breve.

5 RAPIDO 30'

Programma indicato per un mezzo carico di stoviglie poco sporche e prive di residui secchi. Non è prevista una fase di asciugatura.

6 BUONA NOTTE

Adatto al funzionamento nelle ore notturne. Permette di ottenere risultati di lavaggio e asciugatura ottimali con una minima emissione sonora.

7 DISINFEZIONE

Sporco normale e molto sporco, con azione antibatterica supplementare. Ciclo utilizzabile per la manutenzione della lavastoviglie.

8 AMMOLLO

Da utilizzare per sciacquare le stoviglie da lavare successivamente. Questo programma non richiede detersivo.

9 AUTOPULENTE

Programma da utilizzare per la manutenzione della lavastoviglie; deve essere eseguito solo con l'apparecchio VUOTO e usando un detersivo specifico per la manutenzione della lavastoviglie.

Note:

Il ciclo Rapido 30' è indicato per stoviglie poco sporche.

OPZIONI E FUNZIONI

È possibile selezionare le varie OPZIONI premendo direttamente il tasto corrispondente (vedere la TABELLA DEI PROGRAMMI).

In caso di opzione non compatibile con il programma selezionato vedere la TABELLA DEI PROGRAMMI, il LED corrispondente lampeggia 3 volte in rapida successione ed emette i previsti segnali acustici. L'opzione non è in tal caso abilitata.

ZONE WASH 3D (LAVAGGIO A ZONE 3D)

Opzione per l'uso di un solo cestello alla volta. Si raccomanda di usarla con i cicli Misti e Intensivo; grazie ai getti d'acqua 3D supplementari posti sul fondo della cavità, l'opzione ZONE WASH 3D permette di risparmiare energia o di aumentare le prestazioni di lavaggio della lavastoviglie:

- 3D ZONE WASH (LAVAGGIO A ZONE 3D) + CICLO MISTI: permette di ridurre il consumo di energia fino al 40%.
- 3D ZONE WASH (LAVAGGIO A ZONE 3D) + CICLO INTENSIVO: aumenta le prestazioni di lavaggio fino al 40%. Ideale per i carichi misti molto sporchi, ad esempio quando occorre lavare pentole, tegami, piatti incrostati o stoviglie difficili da pulire (grattugia, passaverdure, posate).

Per attivare l'opzione:

1. Selezionare un programma compatibile.
2. Come sua impostazione predefinita, l'apparecchio esegue il lavaggio in tutti i cestelli. Per il lavaggio esclusivamente di un cestello in particolare, premere ripetutamente il tasto in questione:



indicato nel display (cestello inferiore soltanto)



indicato nel display (cestello superiore soltanto)



indicato nel display (cestello portaposate soltanto)



indicato nel display (l'opzione è impostata su Spegnimento e l'apparecchio esegue il lavaggio per tutti i cestelli).

Ricordarsi di riempire soltanto i cestelli superiore e inferiore e di ridurre conseguentemente la dose di detersivo.

Se il cestello superiore viene rimosso, introduce il detersivo direttamente nell'apparecchio anziché nell'apposita vaschetta.

AVVIO RITARDATO

È possibile ritardare l'avvio del programma per un tempo compreso tra **1** e **12** ore.

1. Premere il tasto AVVIO RITARDATO: sul display appare il simbolo «h» corrispondente; a ogni pressione del tasto aumenta l'intervallo di tempo (1 h, 2 h, ecc. fino a un massimo di 12 h) tra il momento in cui si seleziona il programma e l'avvio del ciclo di lavaggio selezionato.
2. Selezionare il programma di lavaggio, premere il tasto AVVIO/PAUSA e chiudere la porta entro 4 secondi: il timer inizia il conto alla rovescia.
3. Una volta trascorso il tempo impostato, l'indicatore «h» si spegne e inizia il ciclo di lavaggio.

Per regolare il tempo di avvio ritardato e selezionare un intervallo di tempo inferiore a quello impostato, premere il tasto AVVIO RITARDATO. Per annullare l'impostazione premere ripetutamente il tasto fino allo spegnimento dell'indicatore «h».

Una volta avviato il ciclo di lavaggio, non è più possibile impostare la funzione di avvio ritardato.

PASTIGLIA

Questa impostazione permette di ottimizzare le prestazioni del programma in base al tipo di detersivo usato.

Se si utilizzano più detersivi in forma di unica pastiglia (brillantante, sale e detersivo in 1 dose) premere per 3 secondi il tasto AVVIO/Pausa (il simbolo corrispondente si illumina).

Quando si utilizza un detersivo in polvere o liquido questa opzione deve rimanere disattivata.

SHORT TIME

L'opzione consente di ridurre la durata dei principali programmi ma di mantenere la stessa qualità nelle prestazioni di lavaggio e asciugatura. Dopo aver selezionato il programma richiesto, premere il tasto SHORT TIME: la corrispondente spia si illumina. Per deselezionare l'opzione in questione premere nuovamente lo stesso tasto.

EXTRA DRY

Per migliorare l'asciugatura dei piatti, dopo aver selezionato il programma richiesto premere il tasto EXTRA DRY: la corrispondente spia si illumina. Una temperatura superiore durante il risciacquo finale e la maggiore durata del programma consentono una migliore asciugatura. Per deselezionare l'opzione in questione premere nuovamente lo stesso tasto. L'opzione EXTRA DRY comporta una maggior durata del ciclo di lavaggio.



SPIA FUNZIONAMENTO

La luce di un LED proiettata sul pavimento segnala che la lavastoviglie è in funzione. È possibile selezionare una delle seguenti modalità di funzionamento:

- a) Funzione disattivata
- b) All'avvio del ciclo di lavaggio la spia si illumina per pochi secondi, rimane spenta per tutta la durata del ciclo e lampeggia alla sua conclusione.
- c) La spia rimane illuminata durante il ciclo di lavaggio e lampeggia alla sua conclusione (modalità predefinita).

A seconda che sia stata impostata la modalità b) oppure c), in caso di impostazione del programma di avvio ritardato la spia si illumina rispettivamente per pochi secondi e per l'intera durata del conto alla rovescia. La spia si spegne a ogni apertura della porta. Per selezionare la modalità richiesta, azionare la macchina e tenere premuto il tasto **P** fino a visualizzare tre lettere sul display: premere ripetutamente il tasto **P** fino a selezionare la lettera (o la modalità) richiesta, quindi tenere premuto il tasto **P** per confermare la selezione impostata.

Nota: Se il sistema ActiveDry è attivo e apre la porta, la spia di funzionamento non lampeggerà alla fine del ciclo.

ActiveDry

ActiveDry è una funzione di asciugatura a convezione che apre automaticamente la porta durante/dopo la fase di asciugatura per garantire stoviglie perfettamente asciutte dopo ogni lavaggio. La porta può essere aperta quando la temperatura è tale da non poter danneggiare i mobili della cucina; ciò significa che non si apre se è attiva l'opzione SHORT TIME.

Come ulteriore protezione dal vapore, la lavastoviglie viene fornita con una speciale lamina di protezione aggiuntiva. Per istruzioni sul montaggio della lamina protettiva (vedere le ISTRUZIONI PER L'INSTALLAZIONE).

La funzionalità ActiveDry può essere disabilitata come segue:

1. Accedere al menu del software della lavastoviglie premendo a lungo il tasto **P** (6 secondi).
2. Viene aperto il menu Controllo luce (vedere la descrizione della SPIA FUNZIONAMENTO); se non si desidera modificare le impostazioni correnti, premere a lungo il tasto **P** (finché una delle due lettere compare sul display).
3. Quando si passa al menu Controllo ActiveDry, è possibile cambiare lo stato della funzionalità ActiveDry premendo il tasto **P**:

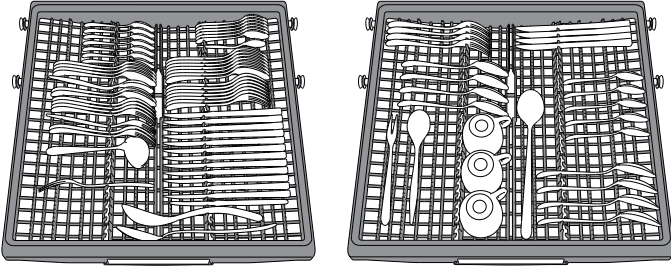
E – funzione abilitata **d** – funzione disabilitata

Per confermare la modifica e uscire dal menu ActiveDry Control, premere a lungo il tasto **P** (3 secondi).

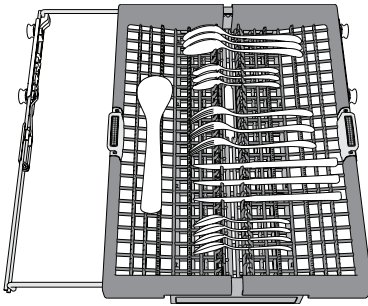
CARICAMENTO DEI CESTELLI

CESTELLO PORTAPOSATE

Il terzo cestello è stato progettato per alloggiare le posate durante il lavaggio. La possibilità di sistemare le posate a parte ne rende più semplice la raccolta dopo il lavaggio e migliora le prestazioni sia nella fase di lavaggio che in quella di asciugatura.



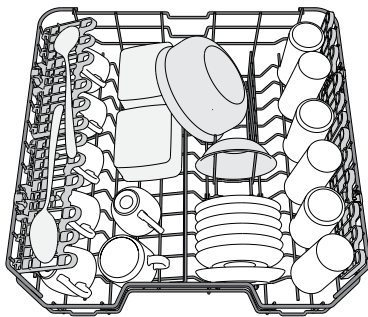
La geometria del cestello prevede anche la possibilità di alloggiare oggetti di piccole dimensioni, come nel caso delle tazzine da caffè per le quali è adibita la zona centrale.



Il cestello portaposate è munito di due carrelli scorrevoli per ottimizzare anche lo spazio del cestello inferiore e consentire il caricamento nel cestello superiore di oggetti di una certa altezza.

Coltelli e altri utensili con bordi affilati devono essere sistemati con le lame rivolte verso il basso.

CESTELLO SUPERIORE



(esempio di carico del cestello superiore)

Riporvi i piatti poco resistenti e le stoviglie delicate: vetri, tazze, piattini, insalatiere dai bordi bassi.

Il cestello superiore è munito di sponde ribaltabili da utilizzare in posizione verticale per la sistemazione di piattini per tea/dessert oppure in posizione abbassata per consentire il carico di scodelle e recipienti per alimenti.

REGOLAZIONE IN ALTEZZA DEL CESTELLO SUPERIORE

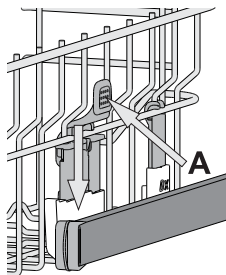
È possibile regolare del cestello superiore nel senso dell'altezza: la posizione rialzata consente di sfruttare al massimo il cestello inferiore per riporvi le stoviglie di dimensioni ingombranti, mentre la posizione ribassata consente di utilizzare le sponde ribaltabili creando lo spazio che esse richiedono e di evitare urti con gli oggetti caricati nel cestello inferiore.

Il cestello superiore è munito di **regolatore in altezza** (vedere figura) che non richiede pressione sulle leve; sollevarlo tenendolo per i lati, non appena si trovi in posizione rialzata.

Per ripristinare la posizione ribassata, agire sulle leve **A** poste ai lati del cestello e abbassare il cestello.

Si raccomanda vivamente di non procedere alla regolazione in altezza di cestelli già caricati.

Non rialzare o ribassare MAI il cestello agendo su un lato soltanto.



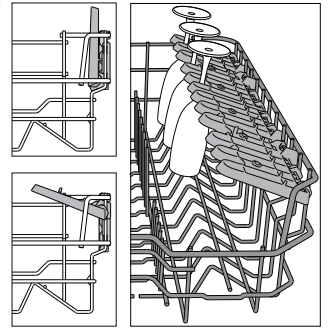
SPONDE RIBALTABILI CON POSIZIONE REGOLABILE

Le sponde ribaltabili laterali possono essere estese o ripiegate per ottimizzare la disposizione delle stoviglie nel cestello. Si possono disporre i bicchieri da vino nelle sponde ribaltabili in modo assolutamente sicuro, inserendone lo stelo negli appositi spazi.

In base al modello:

- per estendere le sponde occorre farle scorrere verso l'alto e ruotarle oppure sganciarle dai fermi e abbassarle.

- per ripiegare le sponde occorre ruotarle e farle scorrere verso il basso oppure sollevarle e agganciarle ai fermi.



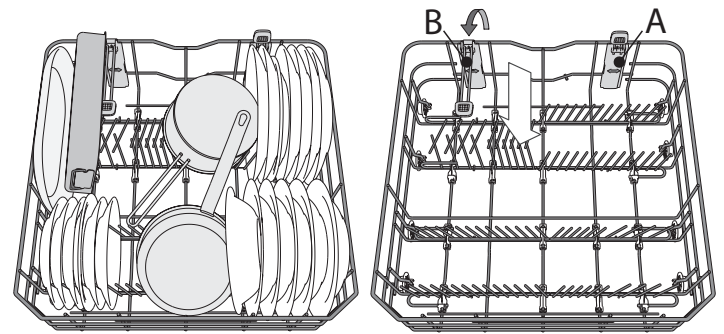
CESTELLO INFERIORE

Per pentole, coperchi, piatti, insalatiere, stoviglie, ecc. In teoria conviene disporre piatti e coperchi di grandi dimensioni ai lati, per evitare interferenze con l'elemento aspersore.

Il cestello inferiore è munito di sponde ribaltabili da utilizzare in posizione verticale per la migliore sistemazione dei piatti oppure in posizione orizzontale (abbassata) per consentire il facile carico di scodelle e recipienti per alimenti.

Il cestello inferiore è munito di Space Zone **A** (presente solo in alcuni modelli e variabile per numero e posizione), lo specifico sostegno estraibile posto nella parte posteriore del cestello e utilizzabile per sostenere in posizione verticale pentole e casseruole e ottimizzare in tal modo lo spazio.

Per poterlo utilizzare è sufficiente impugnare la maniglia colorata e sollevarla verso l'alto **B**, facendolo ruotare in avanti. Per adattarsi alle dimensioni delle stoviglie i supporti possono scorrere verso destra e verso sinistra.

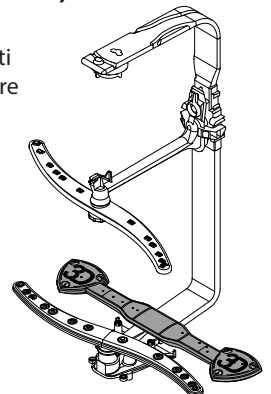


(esempio di carico nel cestello inferiore)

ZONE WASH 3D (LAVAGGIO A ZONE 3D)

L'opzione Zone Wash 3D (Lavaggio a zone 3D) utilizza getti d'acqua supplementari posti sia nella parte inferiore che in quella superiore della lavastoviglie (identificati dal colore arancione) per intensificare l'azione di lavaggio sulle stoviglie molto sporche aumentando l'apporto d'acqua.

Esempio: caricare pentole e tegami rivolti verso i componenti dell'opzione Zone Wash 3D (Lavaggio a zone 3D) posti nella parte inferiore e attivare l'opzione 3D Zone Wash (Lavaggio a zone 3D) sul pannello comandi.



USO QUOTIDIANO

1. VERIFICA DEL COLLEGAMENTO ALLA RETE IDRICA

Verificare che la lavastoviglie sia collegata alla rete idrica e che il rubinetto dell'acqua sia aperto.

2. AZIONAMENTO DELLA LAVASTOVIGLIE

Aprire la porta e premere il tasto **ACCENSIONE/SPEGNIMENTO**.

3. CARICAMENTO DEI CESTELLI

(vedere **CARICAMENTO DEI CESTELLI**).

4. RIEMPIMENTO DEL DISTRIBUTORE DETERATIVO

5. SELEZIONARE IL PROGRAMMA E ADATTARE IL CICLO SECONDO NECESSITÀ

Selezionare il programma più adatto in base al tipo di stoviglie e alla quantità di sporco in essi presente (vedere la **DESCRIZIONE DEI PROGRAMMI**) premendo sul tasto **P**.

Selezionare le opzioni richieste (vedere **OPZIONI E FUNZIONI**).

6. AVVIO

Avviare il ciclo di lavaggio premendo il tasto **AVVIO/Pausa** (il LED si accenderà) e chiudere la porta entro 4 secondi. All'avvio del programma viene emesso un segnale acustico. Se la porta non viene chiusa entro 4 sec. viene emesso il suono di allarme. In questo caso, aprire la porta, premere il tasto **AVVIO/Pausa** e richiudere la porta entro 4 sec.

7. FINE DEL CICLO DI LAVAGGIO

La fine del programma è segnalata da segnali acustici e lampeggia il numero del programma sul display. Aprire la porta e disattivare l'apparecchio premendo sul tasto **ACCENSIONE/SPEGNIMENTO**. Per evitare bruciature, prima di togliere le stoviglie attendere pochi minuti.

Scaricare i cestelli, iniziando da quello inferiore.

La macchina si disattiva automaticamente nel corso di determinati periodi di inattività prolungata, al fine di ridurre al minimo il consumo di elettricità. Se le stoviglie sono soltanto leggermente sporche oppure sono state risciacquate prima di essere poste nella lavastoviglie, ridurre in proporzione la dose di detersivo da utilizzare.

MODIFICA DI UN PROGRAMMA IN CORSO

Nel caso in cui sia stato selezionato il programma sbagliato, è possibile cambiarlo a condizione che sia appena iniziato: aprire lo sportello e premere a lungo il tasto **ACCENSIONE/SPEGNIMENTO**; l'apparecchio si spegnerà.

Azionare nuovamente la macchina agendo sul tasto **ACCENSIONE/SPEGNIMENTO** e selezionare il nuovo ciclo di lavaggio con qualsiasi opzione richiesta; Avviare il ciclo di lavaggio premendo il tasto **AVVIO/Pausa** (il LED si accende) e chiudere la porta entro 4 secondi.

AGGIUNTA DI ALTRE STOVIGLIE

Senza spegnere l'apparecchio, aprire la porta (il LED **AVVIO/Pausa** inizia a lampeggiare) (**fare attenzione al vapore MOLTO CALDO!**) e introdurre le stoviglie. Premere il tasto **AVVIO/Pausa** e chiudere lo sportello entro 4 secondi; il ciclo riprenderà dal punto in cui era stato interrotto.

INTERRUZIONI ACCIDENTALI

In caso di apertura della porta o di interruzione dell'alimentazione elettrica durante un ciclo di lavaggio, il ciclo si interrompe. Premere il tasto **AVVIO/Pausa** e chiudere lo sportello entro 4 secondi; il ciclo riprenderà dal punto in cui era stato interrotto.

AVVISI E CONSIGLI

CONSIGLI

Prima di caricare i cestelli, eliminare tutti i residui di cibo dalle stoviglie e vuotare i bicchieri. **Non occorre il risciacquo sotto acqua corrente prima del caricamento.**

Sistemare le stoviglie in modo che rimangano in sede e non si possano ribaltare; e sistemare le vaschette con le aperture rivolte verso il basso e le parti concave/complesse disposte obliquamente, per consentire all'acqua di lavaggio di raggiungere ogni superficie e scorrervi liberamente.

Avvertenza: coperchi, maniglie, vassoi e padelle non devono ostacolare la rotazione degli aspersori.

Riporre tutti gli oggetti di piccole dimensioni nel cestello portaposate.

Quando molto sporche, riporre piatti e pentole nel cestello inferiore poiché nel relativo settore gli aspersori svolgono un'azione più intensa e consentono migliori prestazioni nel lavaggio.

Una volta completata la procedura di carico, accertarsi che gli aspersori possano ruotare liberamente.

STOVIGLIE DI TIPO NON ADATTO

- Stoviglie e posate in legno.
- Bicchieri decorati, pezzi di artigianato e piatti antichi. Le decorazioni non sono sufficientemente resistenti.
- Componenti in materiali sintetici che non resistono alle temperature elevate.
- Stoviglie in rame e stagno.
- Stoviglie sporche di cenere, cera, grasso lubrificante o inchiostro.

Durante la fase di lavaggio i colori delle decorazioni di bicchieri e pezzi in alluminio/argento possono sbiadire. Alcuni tipi di bicchieri (es. i bicchieri in cristallo) possono divenire opachi anche soltanto dopo un certo numero di lavaggi.

CONSIGLI PER IL RISPARMIO ENERGETICO

- Se la lavastoviglie viene usata secondo le istruzioni del produttore, **il lavaggio delle stoviglie a macchina comporta normalmente un MINORE CONSUMO DI ENERGIA e acqua rispetto al lavaggio a mano.**
- Per ottimizzare l'efficienza della lavastoviglie si raccomanda di **avviare il ciclo di lavaggio con l'apparecchio a pieno carico.** Caricando la lavastoviglie fino alla capacità indicata dal produttore si contribuirà a ridurre i consumi d'acqua e di energia. Per informazioni sul caricamento corretto delle stoviglie, leggere la sezione **CARICAMENTO DEI CESTELLI**. In caso di carico parziale, si raccomanda di usare le apposite opzioni di lavaggio, se disponibili (Mezzo carico/ Zone Wash/ Multizona), caricando solo i cestelli selezionati. Un caricamento non corretto o eccessivo della lavastoviglie può aumentare il consumo di risorse (acqua, energia e tempo, oltre a una maggiore rumorosità) e ridurre le prestazioni di lavaggio e asciugatura.
- Il pre-risciacquo delle stoviglie comporta un maggiore consumo di acqua ed energia e non è consigliato.

DANNEGGIAMENTO DI BICCHIERI E STOVIGLIE

- Utilizzare soltanto bicchieri e porcellane garantite dal produttore per il lavaggio in lavastoviglie.
- Utilizzare un detersivo delicato e adatto al tipo di stoviglie in questione
- Togliere i bicchieri e gli altri elementi dalla lavastoviglie non appena sia terminato il ciclo di lavaggio.

IGIENIZZANTE

Per evitare la formazione di cattivi odori e sedimenti vari all'interno della lavastoviglie **avviare un programma che preveda temperature elevate almeno una volta al mese.** Per eseguire la pulizia dell'apparecchio utilizzare un cucchiaino di detersivo e avviare il ciclo in assenza di carico.

MANUTENZIONE E PULIZIA

PULIZIA DEL GRUPPO FILTRO

Pulire regolarmente il gruppo filtro in modo che nei relativi elementi non si formino ostruzioni e che l'acqua vi scorra regolarmente.

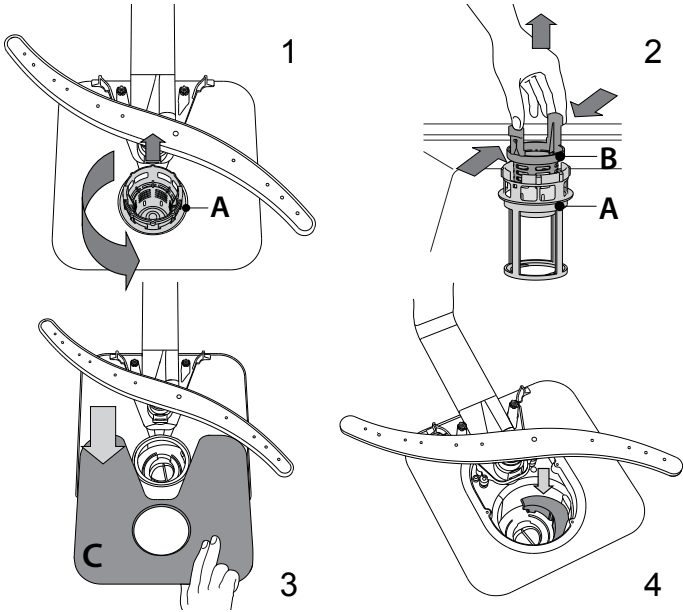
L'uso della lavastoviglie con i filtri ostruiti, o con oggetti estranei nel sistema filtrante o nei bracci irroratori, può causare malfunzionamenti e determinare una perdita di prestazioni, un aumento della rumorosità o un maggiore consumo di risorse.

Il gruppo filtro è composto da tre elementi filtranti che eliminano la presenza di residui di cibo dall'acqua di lavaggio, rimettendola in circolo ai fini del programma: per ottenere le migliori prestazioni durante il lavaggio è necessario che tali elementi siano sempre puliti.

Non utilizzare mai la lavastoviglie priva dei filtri o con i filtri allentati.

Almeno una volta al mese o ogni 30 cicli di lavaggio, verificare lo stato del gruppo filtro e se necessario pulirlo completamente sotto getto di acqua corrente, servendosi di spazzola metallica e seguendo le istruzioni sotto riportate:

1. Ruotare il filtro cilindrico **A** in senso antiorario, quindi estrarlo (Fig. 1).
2. Smontare il filtro a tazza **B** esercitando una leggera pressione sulle sponde laterali (Fig. 2).
3. Far scorrere il filtro a piastra in acciaio inossidabile **C**, fino ad estrarlo (Fig. 3).
4. Se si trovano oggetti estranei (frammenti di vetro, porcellana, ossa, semi di frutta, ecc.), rimuoverli con attenzione.
5. Esaminare il sifone ed eliminare la presenza di qualsiasi residuo di cibo. **NON TOGLIERE MAI** l'elemento di protezione della pompa di lavaggio (dettaglio di colore nero) (Fig. 4).



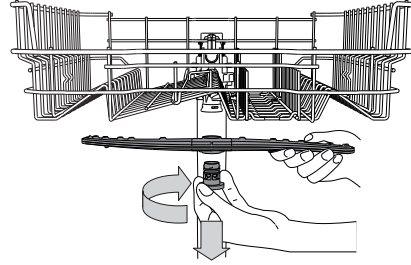
Dopo aver puliti i filtri, rimontare il gruppo e fissarlo correttamente in sede ciò è fondamentale per garantire l'efficienza della lavastoviglie.

PULIZIA DEL TUBO DI CARICO ACQUA

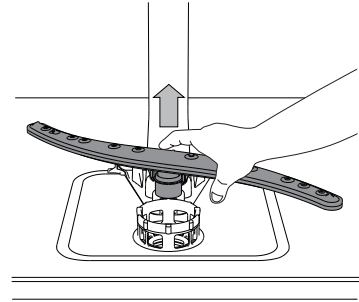
Se i tubi dell'acqua sono nuovi o sono rimasti inutilizzati per un periodo prolungato, prima di eseguire i raccordi necessari far scorrere l'acqua per controllare che sia pulita e priva di impurità. In assenza di tale precauzione, il tubo di carico acqua può risultare ostruito con conseguente danneggiamento della lavastoviglie.

PULIZIA DEI BRACCI ASPERSORI

I residui di cibo possono occasionalmente formare incrostazioni sui bracci aspersori e bloccare i fori utilizzati per l'irrorazione dell'acqua. Si raccomanda pertanto di ispezionare di volta in volta i bracci e di pulirli mediante piccola spazzola metallica.



Per smontare il braccio aspersore superiore, ruotare l'anello di bloccaggio in plastica in senso orario. Il rimontaggio del braccio aspersore deve avvenire in modo che il lato con il maggior numero di fori sia rivolto verso l'alto.



È possibile smontare l'elemento aspersore del cestello inferiore sollevandolo verso l'alto.

SISTEMA DI ADDOLCIMENTO DELL'ACQUA

L'addolcitore riduce automaticamente la durezza dell'acqua, impedendo la formazione di calcare sulla serpentina e contribuendo a migliorare l'efficienza di lavaggio.

Questo sistema si rigenera con il sale, che deve essere perciò rabboccato quando il serbatoio del sale è vuoto.



La frequenza di rigenerazione dipende dal livello di durezza impostato - con la durezza dell'acqua impostata al livello **3**, la rigenerazione avviene ogni **6** cicli Eco.

Il processo di rigenerazione inizia durante il risciacquo finale e termina nella fase di asciugatura, prima del termine del ciclo.

- Ogni rigenerazione comporta: un consumo di ~3,5 litri d'acqua;
- Un prolungamento di 5 minuti della normale durata del ciclo;
- Un consumo di energia minore di 0,005 kWh.

RISOLUZIONE DEI PROBLEMI

Se la lavastoviglie non funziona correttamente, provare a risolvere il problema consultando l'elenco sotto riportato. Per errori o problemi di altro tipo, contattare un Servizio Assistenza Tecnica autorizzato; i dati di contatto sono riportati nel libretto di garanzia. I ricambi saranno disponibili per un periodo fino a 7 o fino a 10 anni, secondo i requisiti specifici del regolamento.

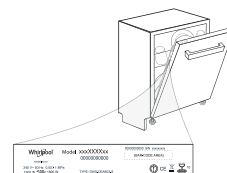
PROBLEMI	POSSIBILI CAUSE	SOLUZIONE
 L'indicatore del sale è acceso	Il serbatoio del sale è vuoto. (È possibile che, dopo aver riempito il serbatoio, la spia del sale resti accesa per diversi cicli di lavaggio).	Riempire il serbatoio con sale (per ulteriori informazioni, vedere pagina 2). Regolare la durezza dell'acqua - vedere la tabella a pagina 2.
 L'indicatore del brillantante è acceso	La vaschetta del brillantante è vuota. (È possibile che, dopo aver riempito la vaschetta, la spia del brillantante resti accesa per diversi cicli di lavaggio).	Riempire la vaschetta con brillantante (per ulteriori informazioni, vedere pagina 2)
La lavastoviglie non si avvia o i comandi non rispondono.	L'apparecchio non è stato collegato correttamente all'alimentazione elettrica.	Inserire la spina nella presa di corrente.
	Mancanza di corrente.	Per ragioni di sicurezza, la lavastoviglie non si riavvia automaticamente al ripristino della corrente elettrica. Aprire la porta, premere il tasto AVVIO/Pausa e richiudere la porta entro 4 secondi.
	Mancata chiusura della porta lavastoviglie. La spina ActiveDry non è inserita.	Spingere con decisione la porta fino ad avvertire il caratteristico "clic".
	Il ciclo è stato interrotto con l'apertura dello sportello per più di 4 secondi.	Premere AVVIO/Pausa e chiudere lo sportello entro 4 secondi
Lo scarico della lavastoviglie non avviene. Sul display viene visualizzato 3 e il LED Accensione/Spegnimento lampeggia rapidamente	Ciclo di lavaggio non ancora concluso.	Attendere la conclusione del ciclo di lavaggio.
	Tubo di scarico piegato.	Verificare che il tubo di scarico non sia piegato (vedere le ISTRUZIONI DI INSTALLAZIONE).
	Tubo di scarico del lavandino ostruito.	Pulire il tubo di scarico del lavandino.
	Ostruzione filtro a causa di residui di cibo	Pulire il filtro (vedere PULIZIA DEL GRUPPO FILTRO).
La rumorosità della lavastoviglie è eccessiva.	Urto dei piatti tra loro durante il lavaggio.	Sistemare le stoviglie nel modo corretto (vedere CARICAMENTO DEI CESTELLI).
	Produzione eccessiva di schiuma.	Il dosaggio del detersivo non è stato stabilito in modo corretto oppure il detersivo non è del tipo adatto alle lavastoviglie (vedere RIEMPIMENTO DELLA VASCHETTA DEL DETERSIVO). Per riavviare il ciclo in corso, spegnere e riaccendere la lavastoviglie, scegliere un nuovo programma, premere AVVIO/Pausa e chiudere lo sportello entro 4 secondi. Non aggiungere altro detersivo
I piatti non risultano puliti.	Errata disposizione delle stoviglie.	Sistemare le stoviglie nel modo corretto (vedere CARICAMENTO DEI CESTELLI).
	Impedimento nella rotazione dei bracci aspersori a causa dell'interferenza dei piatti.	Sistemare le stoviglie nel modo corretto (vedere CARICAMENTO DEI CESTELLI).
	Il ciclo di lavaggio è eccessivamente delicato.	Selezionare il programma adatto (vedere la TABELLA DEI PROGRAMMI).
	Produzione eccessiva di schiuma.	Il dosaggio del detersivo non è stato stabilito in modo corretto oppure il detersivo non è del tipo adatto alle lavastoviglie (vedere RIEMPIMENTO DEL DISTRIBUTORE DETERSIVO).
	Tappo sul vano brillantante non correttamente chiuso.	Accertarsi che il tappo sul distributore brillantante sia chiuso.
	Filtro sporco oppure ostruito.	Pulire il gruppo filtro (vedere CURA E MANUTENZIONE).
	Mancanza di sale.	Riempire il serbatoio del sale (vedere RIEMPIMENTO DEL SERBATOIO SALE).
La lavastoviglie non esegue il carico dell'acqua. Sul display viene visualizzato H, 6 e il LED Accensione/Spegnimento lampeggia rapidamente	Assenza di alimentazione idrica o rubinetto chiuso.	Accertarsi che il tubo di alimentazione idrica contenga l'acqua necessaria o che il rubinetto sia aperto.
	Il tubo di carico è piegato	Accertarsi che il tubo di carico non sia piegato (vedere INSTALLAZIONE) riprogrammare la lavastoviglie e riavviarla.
	L'elemento filtrante nel tubo di carico è ostruito; è necessario pulirlo.	Dopo aver eseguito le operazioni di ispezione e pulizia, spegnere e accendere la lavastoviglie e avviare un programma nuovo.
La lavastoviglie termina il ciclo di lavaggio troppo presto. Sul display viene visualizzato 15 e il LED Accensione/Spegnimento lampeggia rapidamente	Il tubo di scarico è posizionato troppo in basso o crea un effetto sifone nell'impianto di scarico domestico.	Controllare che l'estremità del tubo di scarico si trovi all'altezza corretta (vedere INSTALLAZIONE). Verificare eventuali effetti sifone nell'impianto di scarico domestico; se necessario, installare una valvola di ingresso aria.
	Aria nel tubo di mandata dell'acqua.	Controllare che non vi siano perdite nell'impianto idraulico o altri problemi che causino l'ingresso di aria.



Documentazione normativa, documentazione standard, ordinazione di pezzi di ricambio e altre informazioni sul prodotto possono essere reperite:

- Usare il codice QR e visitare il sito web docs.whirlpool.eu
- Visitando il nostro sito web parts-selfservice.whirlpool.com
- Oppure, **contattare il Servizio Assistenza Tecnica** (al numero di telefono riportato sul libretto di garanzia). Quando si contatta il Servizio Assistenza Tecnica, fornire i codici presenti sulla targhetta matricola del prodotto.

I dati del modello possono essere richiamati usando il codice QR riportato sull'etichetta energetica. L'etichetta riporta anche il codice identificativo del modello che può essere utilizzato per consultare il portale di registrazione su <https://eprel.ec.europa.eu>.



400011644356B

08/2023 jk - Xerox Fabriano

