



Refrigerator

Instruction of use

Refrigerador

Instrucciones para el uso

Frigorífico

Instruções de utilização

Kühlschrank

Gebrauchsanweisung

Réfrigérateur

Notice d'utilisation



BCHA275E4SN

EN-ES-PT-DE-FR

Please read this user manual first!

Dear Customer,

We hope that your product, which has been produced in modern plants and checked under the most meticulous quality control procedures, will provide you an effective service.

Therefore, read this entire user manual carefully before using the product and keep it as a reference. If you handover the product to someone else, give the user manual as well.

The user manual will help you use the product in a fast and safe way.

- Read the manual before installing and operating the product.
- Make sure you read the safety instructions.
- Keep the manual in an easily accessible place as you may need it later.
- Read the other documents given with the product.
- Remember that this user manual is also applicable for several other models.
- Differences between models will be identified in the manual.

Explanation of symbols

Throughout this user manual the following symbols are used:

 Important information or useful tips.

 Warning against dangerous conditions for life and property.

 Warning against electric voltage.



WARNING!

In order to ensure a normal operation of your refrigerating appliance, which uses a completely environmentally friendly refrigerant the R600a (flammable only under certain conditions) you must observe the following rules:

- Do not hinder the free circulation of the air around the appliance.
- Do not use mechanical devices in order to accelerate the defrosting, others than the ones recommended by the manufacturer.
- Do not destroy the refrigerating circuit.
- Do not use electric appliances inside the food keeping compartment, other than those that might have been recommended by the manufacturer.



INFORMATION



ENERGY



SUPPLIER'S NAME

MODEL IDENTIFIER (*)

A

A

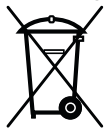
The model information as stored in the product data base can be reached by entering following website and searching for your model identifier (*) found on energy label.

<https://eprel.ec.europa.eu/>

CONTENTS

1 Your refrigerator	3	4 Preparation	10
2 Important Safety Warnings	4	5 Using your refrigerator	11
Intended use	4	Control panel.....	11
General safety	4	HarvestFresh	12
For products with a water dispenser....	6	Defrost	12
Child safety.....	6	The dairy (cold storage) bin	12
HCA warning	6		
Things to be done for energy saving ..	6	6 Maintenance and cleaning	13
		Protection of plastic surfaces	13
3 Installation	7	7 Troubleshooting	14
Points to be considered when re-transporting your refrigerator.....	7		
Before you start the refrigerator.....	7		
Electrical connection.....	7		
Disposing of the packaging	8		
Disposing of your old refrigerator	8		
Placing and Installation	8		
Replacing the interior lamp	8		
Reversing the doors	9		

Recycling

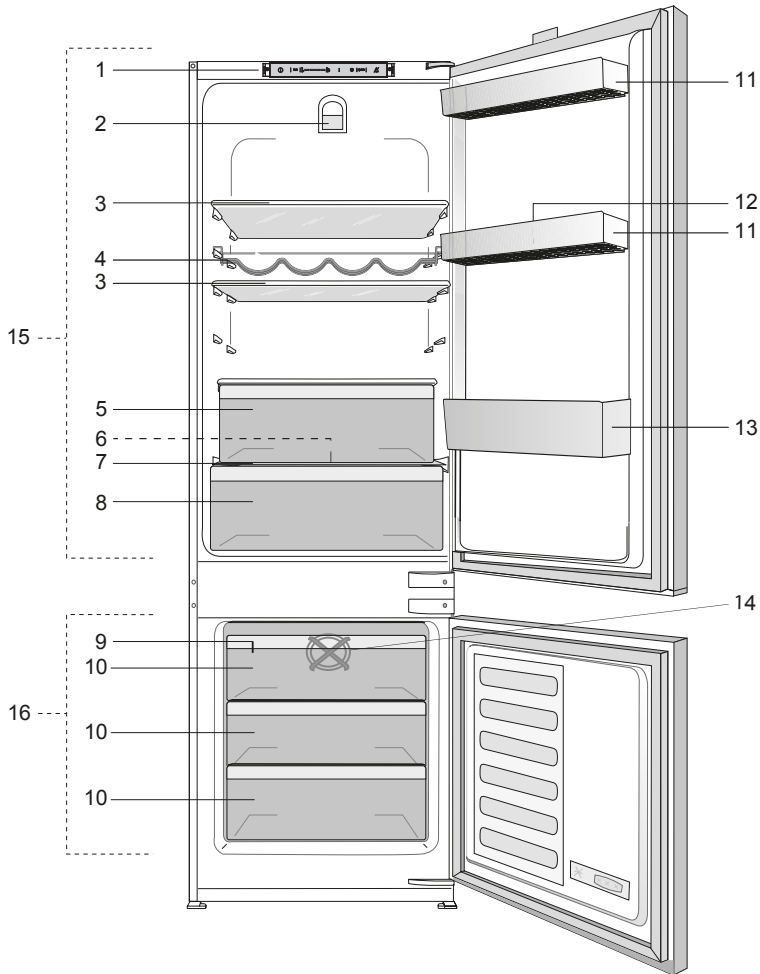


This product is supplied with the selective sorting symbol for waste electrical and electronic equipment (WEEE).

This means that this product must be handled pursuant to European Directive 2002/96/EC in order to be recycled or dismantled to minimise its impact on the environment. For further information, please contact your local or regional authorities.

Electronic products not included in the selective sorting process are potentially dangerous for the environment and human health due to the presence of hazardous substances.

1 Your refrigerator



- | | |
|--|---------------------------------|
| 1. Control panel | 9. Ice bank |
| 2. Interior light | 10. Freezer compartment drawers |
| 3. Adjustable shelves | 11. Adjustable door shelves |
| 4. Wine rack | 12. Egg tray |
| 5. Dairy bin | 13. Bottle shelf |
| 6. Defrost water collection channel - drain tube | 14. Freezer fan |
| 7. Crisper cover | 15. Fridge compartment |
| 8. Crisper | 16. Freezer compartment |

i Figures that take place in this instruction manual are schematic and may not correspond exactly with your product. If the subject parts are not included in the product you have purchased, then it is valid for other models.

2 Important Safety Warnings

Please review the following information. Failure to observe this information may cause injuries or material damage. Otherwise, all warranty and reliability commitments will become invalid.

Original Spare parts will be provided for 10 years, following the product purchasing date.

Intended use

This product is intended to be used:

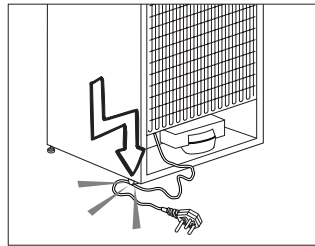
- indoors and in closed areas such as homes;
- in closed working environments such as stores and offices;
- in closed accommodation areas such as farm houses, hotels, pensions.
- It should not be used outdoors.

General safety

- When you want to dispose/scrap the product, we recommend you to consult the authorized service in order to learn the required information and authorized bodies.
- Consult your authorized service for all your questions and problems related to the refrigerator. Do not intervene or let someone intervene to the refrigerator without notifying the authorised services.
- For products with a freezer compartment; Do not eat cone ice cream and ice cubes immediately after you take them out of the freezer compartment! (This may cause frostbite in your mouth.)
- For products with a freezer compartment; Do not put bottled and canned liquid beverages in the freezer compartment. Otherwise, these may burst.
- Do not touch frozen food by hand; they may stick to your hand.
- Unplug your refrigerator before cleaning or defrosting.
- Vapor and vaporized cleaning materials should never be used in cleaning and defrosting processes of your refrigerator. In such cases, the vapor may get in contact with the electrical parts and cause short circuit or electric shock.
- Never use the parts on your refrigerator such as the door as a means of support or step.
- Do not use electrical devices inside the refrigerator.
- Do not damage the parts, where the refrigerant is circulating, with drilling or cutting tools. The refrigerant that might blow out when the gas channels of the evaporator, pipe extensions or surface coatings are punctured causes skin irritations and eye injuries.
- Do not cover or block the ventilation holes on your refrigerator with any material.
- Electrical devices must be repaired by only authorised persons. Repairs performed by incompetent persons create a risk for the user.
- In case of any failure or during a maintenance or repair work, disconnect your refrigerator's mains supply by either turning off the relevant fuse or unplugging your appliance.
- Do not pull by the cable when pulling off the plug.
- Place the beverage with higher proofs tightly closed and vertically.

- Never store spray cans containing flammable and explosive substances in the refrigerator.
- Do not use mechanical devices or other means to accelerate the defrosting process, other than those recommended by the manufacturer.
- This appliance is not intended for use by persons (including children) with reduced physical, sensory or mental capabilities, or lack of experience and knowledge, unless they have been given supervision or instruction concerning use of the appliance by a person responsible for their safety. Children should be supervised to ensure that they do not play with the appliance.
- Do not operate a damaged refrigerator. Consult with the service agent if you have any concerns.
- Electrical safety of your refrigerator shall be guaranteed only if the earth system in your house complies with standards.
- Exposing the product to rain, snow, sun and wind is dangerous with respect to electrical safety.
- Contact authorized service when there is a power cable damage to avoid danger.
- Never plug the refrigerator into the wall outlet during installation. Otherwise, risk of death or serious injury may arise.
- This refrigerator is intended for only storing food items. It must not be used for any other purpose.
- Label of technical specifications is located on the left wall inside the refrigerator.
- Never connect your refrigerator to electricity-saving systems; they may damage the refrigerator.

- If there is a blue light on the refrigerator, do not look at the blue light with optical tools.
- For manually controlled refrigerators, wait for at least 5 minutes to start the refrigerator after power failure.
- This operation manual should be handed in to the new owner of the product when it is given to others.
- Avoid causing damage on power cable when transporting the refrigerator. Bending cable may cause fire. Never place heavy objects on power cable.



- Do not touch the plug with wet hands when plugging the product.
- Do not plug the refrigerator if the wall outlet is loose.
- Water should not be sprayed on inner or outer parts of the product for safety purposes.
- Do not spray substances containing inflammable gases such as propane gas near the refrigerator to avoid fire and explosion risk.
- Never place containers filled with water on top of the refrigerator; in the event of spillages, this may cause electric shock or fire.
- Do not overload the refrigerator with food. If overloaded, the food items may fall down and hurt you and damage refrigerator when you open the door.
- Never place objects on top of the refrigerator; otherwise, these objects may fall down when you open or close the refrigerator's door.

- As they require a precise temperature, vaccines, heat-sensitive medicine and scientific materials and etc. should not be kept in the refrigerator.
- If not to be used for a long time, refrigerator should be unplugged. A possible problem in power cable may cause fire.
- The plug's tip should be cleaned regularly with a dry cloth; otherwise, it may cause fire.
- Refrigerator may move if adjustable legs are not properly secured on the floor. Properly securing adjustable legs on the floor can prevent the refrigerator to move.
- When carrying the refrigerator, do not hold it from door handle. Otherwise, it may be snapped.
- When you have to place your product next to another refrigerator or freezer, the distance between devices should be at least 8 cm. Otherwise, adjacent side walls may be humidified.

For products with a water dispenser

Pressure of water mains should be minimum 1 bar. Pressure of water mains should be maximum 8 bars.

- Use only potable water.

Child safety

- If the door has a lock, the key should be kept away from reach of children.
- Children must be supervised to prevent them from tampering with the product.

HCA warning

If your product's cooling system contains R600a:

This gas is flammable. Therefore, pay attention to not damaging the cooling system and piping during usage and transportation.

In the event of damage, keep your product away from potential fire sources that can cause the product catch a fire and ventilate the room in which the unit is placed.

Ignore this warning if your product's cooling system contains R134a.

Type of gas used in the product is stated in the type label which is on the left wall inside the refrigerator.

Never throw the product in fire for disposal.

Things to be done for energy saving

- Do not leave the doors of your refrigerator open for a long time.
- Do not put hot food or drinks in your refrigerator.
- Do not overload your refrigerator so that the air circulation inside of it is not prevented.
- Do not install your refrigerator under direct sunlight or near heat emitting appliances such as ovens, dishwashers or radiators. Keep your refrigerator at least 30 cm away from heat emitting sources and at least 5 cm from electrical ovens.
- Pay attention to keep your food in closed containers.
- For products with a freezer compartment; You can store maximum amount of food items in the freezer when you remove the shelf or drawer of the freezer. Energy consumption value stated for your refrigerator has been determined by removing freezer shelf or drawer and under maximum load. There is no harm to use a shelf or drawer according to the shapes and size of food to be frozen.
- Thawing frozen food in fridge compartment will both provide energy saving and preserve the food quality.

3 Installation

⚠ In case the information which are given in the user manual are not taken into account, manufacturer will not assume any liability for this.

Points to be considered when re-transporting your refrigerator

1. Your refrigerator must be emptied and cleaned prior to any transportation.
2. Shelves, accessories, crisper and etc. in your refrigerator must be fastened securely by adhesive tape against any jolt before repackaging.
3. Packaging must be tied with thick tapes and strong ropes and the rules of transportation printed on the package must be followed.

Please do not forget...

Every recycled material is an indispensable source for the nature and for our national resources. If you wish to contribute to recycling the packaging materials, you can get further information from the environmental bodies or local authorities.

Before you start the refrigerator

Check the following before you start to use your refrigerator:

1. Is the interior of the refrigerator dry and can the air circulate freely in the rear of it?
2. Clean the interior of the refrigerator as recommended in the “Maintenance and cleaning” section.
3. Connect the plug of the refrigerator to the wall socket. When the fridge door is opened, fridge internal lamp will turn on.

4. When the compressor starts to operate, a sound will be heard. The liquid and gases sealed within the refrigeration system may also give rise to noise, even if the compressor is not running and this is quite normal.
5. Front edges of the refrigerator may feel warm. This is normal. These areas are designed to be warm to avoid condensation.

Electrical connection

Connect your product to a grounded socket which is being protected by a fuse with the appropriate capacity.

Important:

The connection must be in compliance with national regulations.

- The power plug must be easily accessible after installation.
- Electrical safety of your refrigerator shall be guaranteed only if the earth system in your house complies with standards.
- The voltage stated on the label located at left inner side of your product should be equal to your network voltage.
- **Extension cables and multi plugs must not be used for connection.**

⚠ A damaged power cable must be replaced by a qualified electrician.

⚠ Product must not be operated before it is repaired! There is the risk of electric shock!

Disposing of the packaging

The packing materials may be dangerous for children. Keep the packing materials out of the reach of children or dispose of them by classifying them in accordance with the waste instructions stated by your local authorities. Do not throw away with regular house waste, throw away on packaging pick up spots designated by the local authorities. The packing of your refrigerator is produced from recyclable materials.

Disposing of your old refrigerator

Dispose of your old refrigerator without giving any harm to the environment.

- You may consult your authorized dealer or waste collection center of your municipality about the disposal of your refrigerator.

Before disposing of your refrigerator, cut out the electric plug and, if there are any locks on the door, make them inoperable in order to protect children against any danger.

Placing and Installation

⚠ If the entrance door of the room where the refrigerator will be installed is not wide enough for the refrigerator to pass through, then call the authorized service to have them remove the doors of your refrigerator and pass it sideways through the door.

1. Install your refrigerator to a place that allows ease of use.
2. Keep your refrigerator away from heat sources, humid places and direct sunlight.
3. There must be appropriate air ventilation around your refrigerator in order to achieve an efficient operation. If the refrigerator is to be placed in a recess in the wall, there must be at least 5 cm distance with the ceiling and at least 5 cm with the wall. Do not place your product on the materials such as rug or carpet.
4. Place your refrigerator on an even floor surface to prevent jolts.
5. Do not keep your refrigerator in ambient temperatures under 10°C.

Replacing the interior lamp

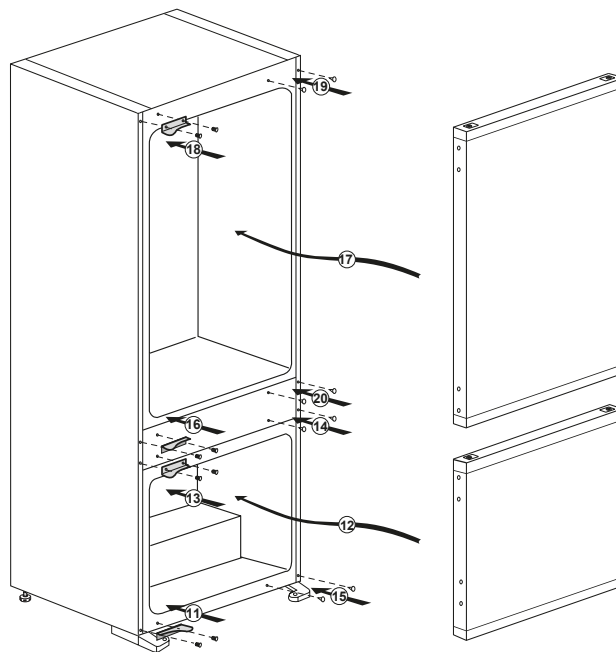
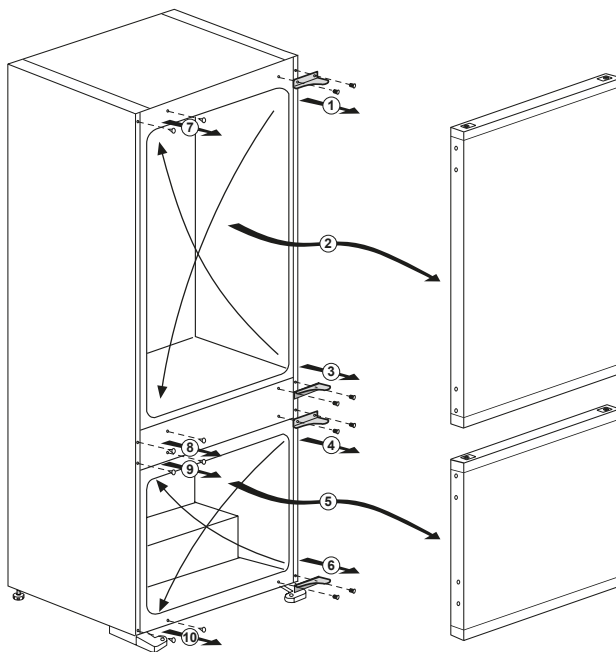
To change the Bulb/LED used for illumination of your refrigerator, call your Authorised Service.

The lamp(s) used in this appliance is not suitable for household room illumination. The intended purpose of this lamp is to assist the user to place foodstuffs in the refrigerator/freezer in a safe and comfortable way.

The lamps used in this appliance have to withstand extreme physical conditions such as temperatures below -20°C.

Reversing the doors

Proceed in numerical order.

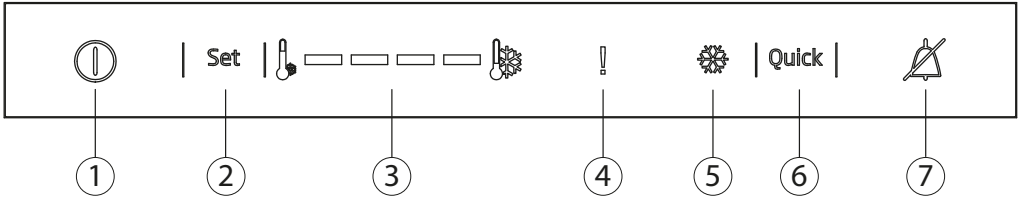


4 Preparation

- Your refrigerator should be installed at least 30 cm away from heat sources such as hobs, ovens, central heater and stoves and at least 5 cm away from electrical ovens and should not be located under direct sunlight.
- The ambient temperature of the room where you install your refrigerator should at least be 10°C. Operating your refrigerator under cooler conditions is not recommended with regard to its efficiency.
- Please make sure that the interior of your refrigerator is cleaned thoroughly.
- If two refrigerators are to be installed side by side, there should be at least 2 cm distance between them.
- When you operate your refrigerator for the first time, please observe the following instructions during the initial six hours.
- The door should not be opened frequently.
- It must be operated empty without any food in it.
- Do not unplug your refrigerator. If a power failure occurs out of your control, please see the warnings in the “Troubleshooting” section.
- Original packaging and foam materials should be kept for future transportations or moving.

5 Using your refrigerator

Control Panel



1 - On/Off function

Press the On/Off button for 3 seconds to turn off or turn on the fridge.

2 - Fridge Set Function

This function allows you to make the fridge compartment temperature setting.

Press this button to set the temperature of the fridge compartment to - (warmest), --, ---, ----, ----- (coldest) respectively.

3 - Fridge Compartment Temperature Setting Indicator

Indicates the temperature set for the Fridge Compartment. Settings are - (warmest), --, ---, ----, ----- (coldest).

4 - High Temperature Error / Warning Indicator

This light comes on during high temperature failures and error warnings.

5 - Quick Fridge Indicator

This icon lits when the Quick Fridge function is active.

6 - Quick Fridge Function

When you press Quick Fridge button, the temperature of the compartment will be colder than the adjusted values.

This function can be used for food placed in the fridge compartment and required to be cooled down rapidly.

If you want to cool large amounts of fresh food, it is recommended to active this feature before putting the food into the fridge. Quick Fridge indicator will remain lit when the Quick Fridge function is enabled. To cancel this function press Quick Fridge button again. Quick Fridge indicator will turn off and return to its normal settings.

If you do not cancel it, Quick Fridge will cancel itself automatically after 8 hours or when the fridge compartment reaches to the required temperature. This function is not recalled when power restores after a power failure.

7 - Alarm Off

When the fridge door is opened for 2 minutes or when there is a sensor failure, a sound alarm turns on. Alarm can be turned off by pressing "Alarm Off" button.

Sensor failure alarm will not sound till power failure. If you close the door and then open again "Door open alarm" will be activated again after 2 minutes later.

HarvestFresh

Fruits and vegetables stored in crispers illuminated with the HarvestFresh technology preserve their vitamin content (vitamin A and C) for a longer time thanks to the blue, green, red lights and dark cycles, which simulate a day cycle.

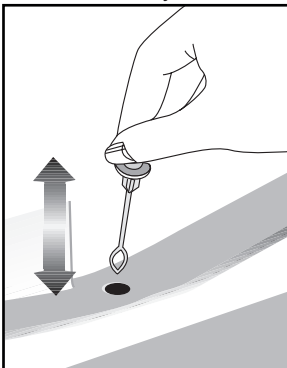
If you open the door of the refrigerator during the dark period of the HarvestFresh technology, the refrigerator will automatically detect this and enable the blue, green or red light to illuminate the crisper for your convenience. After you have closed the door of the refrigerator, the dark period will continue, representing the night time in a day cycle.

Defrost

A) Fridge compartment

Fridge compartment performs full-automatic defrosting. Water drops and a frosting up to 7-8 mm can occur on the inner rear wall of the fridge compartment while your refrigerator cools down. Such formation is normal as a result of the cooling system. The frost formation is defrosted by performing automatic defrosting with certain intervals thanks to the automatic defrosting system of the rear wall. User is not required to scrape the frost or remove the water drops. Water resulting from the defrosting passes from the water collection groove and flows into the evaporator through the drain pipe and evaporates here by itself.

Check regularly to see if the drain pipe is clogged or not and clear it with the stick in the hole when necessary.

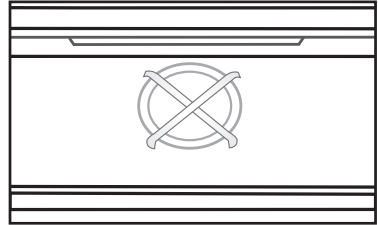


B) Freezer compartment

The freezer compartment defrosts automatically.

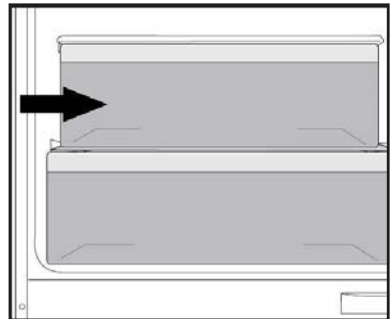
Warnings!

The fan inside the freezer compartment circulates cold air. Never insert any object through the guard. Do not allow children to play with the freezer fan. Never store products that contain inflammable propellant gas (e.g. dispensers, spray cans etc.) or explosive substances. Don't cover the shelves with any protective materials, which may obstruct air circulation. Do not allow children to play with appliance or tamper with the controls. Do not obstruct the freezer fan guard to ensure that you obtain the best possible performance from your appliance.



The dairy (cold storage) bin

The dairy (cold storage) bin provides lower temperature within the refrigerator compartment. Use this bin to store delicatessen (salami, sausages, dairy products and etc.) that requires lower storage temperature or meat, chicken or fish products for immediate consumption. Do not store fruits and vegetables inside this bin.



6 Maintenance and cleaning

- ⚠ Never use gasoline, benzene or similar substances for cleaning purposes.
- ⚠ We recommend that you unplug the appliance before cleaning.
- ⚠ Never use any sharp abrasive instrument, soap, household cleaner, detergent and wax polish for cleaning.
- ℹ Use lukewarm water to clean the cabinet of your refrigerator and wipe it dry.
- ℹ Use a damp cloth wrung out in a solution of one teaspoon of bicarbonate of soda to one pint of water to clean the interior and wipe it dry.
- ⚠ Make sure that no water enters the lamp housing and other electrical items.
- ⚠ If your refrigerator is not going to be used for a long period of time, unplug the power cable, remove all food, clean it and leave the door ajar.
- ℹ Check door seals regularly to ensure they are clean and free from food particles.
- ⚠ To remove door racks, remove all the contents and then simply push the door rack upwards from the base.
- ⚠ Never use cleaning agents or water that contain chlorine to clean the outer surfaces and chromium coated parts of the product. Chlorine causes corrosion on such metal surfaces.

Protection of plastic surfaces

- ℹ Do not put the liquid oils or oil-cooked meals in your refrigerator in unsealed containers as they damage the plastic surfaces of your refrigerator. In case of spilling or smearing oil on the plastic surfaces, clean and rinse the relevant part of the surface at once with warm water.

7 Troubleshooting

Please review this list before calling the service. It will save your time and money. This list includes frequent complaints that are not arising from defective workmanship or material usage. Some of the features described here may not exist in your product.

The refrigerator does not operate.

- The plug is not inserted into the socket correctly. >>>Insert the plug into the socket securely.
- The fuse of the socket which your refrigerator is connected to or the main fuse have blown out. >>>Check the fuse.

Condensation on the side wall of the fridge compartment (MULTIZONE, COOL CONTROL and FLEXI ZONE).

- Ambient is very cold. >>>Do not install the refrigerator in places where the temperature falls below 10°C.
- Door has been opened frequently. >>>Do not open and close the door of refrigerator frequently.
- Ambient is very humid. >>>Do not install your refrigerator into highly humid places.
- Food containing liquid is stored in open containers. >>>Do not store food with liquid content in open containers.
- Door of the refrigerator is left ajar. >>>Close the door of the refrigerator.
- Thermostat is set to a very cold level. >>>Set the thermostat to a suitable level.

Compressor is not running.

- Protective thermic of the compressor will blow out during sudden power failures or plug-out plug-ins as the refrigerant pressure in the cooling system of the refrigerator has not been balanced yet. The refrigerator will start running approximately after 6 minutes. Please call the service if the refrigerator does not startup at the end of this period.
- The fridge is in defrost cycle. >>>This is normal for a full-automatically defrosting refrigerator. Defrosting cycle occurs periodically.
- The refrigerator is not plugged into the socket. >>>Make sure that the plug is fit into the socket.
- Temperature settings are not made correctly. >>>Select the suitable temperature value.
- There is a power outage. >>>Refrigerator returns to normal operation when the power restores.

The operation noise increases when the refrigerator is running.
<ul style="list-style-type: none"> • The operating performance of the refrigerator may change due to the changes in the ambient temperature. It is normal and not a fault.
The refrigerator is running frequently or for a long time.
<ul style="list-style-type: none"> • New product may be wider than the previous one. Larger refrigerators operate for a longer period of time. • The room temperature may be high. >>>It is normal that the product operates for longer periods in hot ambient. • The refrigerator might be plugged in recently or might be loaded with food. >>>When the refrigerator is plugged in or loaded with food recently, it will take longer for it to attain the set temperature. This is normal. • Large amounts of hot food might be put in the refrigerator recently. >>>Do not put hot food into the refrigerator. • Doors might be opened frequently or left ajar for a long time. >>>The warm air that has entered into the refrigerator causes the refrigerator to run for longer periods. Do not open the doors frequently. • Freezer or fridge compartment door might be left ajar. >>>Check if the doors are closed completely. • The refrigerator is adjusted to a very low temperature. >>>Adjust the refrigerator temperature to a warmer degree and wait until the temperature is achieved. • Door seal of the fridge or freezer may be soiled, worn out, broken or not properly seated. >>>Clean or replace the seal. Damaged/broken seal causes the refrigerator to run for a longer period of time in order to maintain the current temperature.
Freezer temperature is very low while the fridge temperature is sufficient.
<ul style="list-style-type: none"> • The freezer temperature is adjusted to a very low value. >>>Adjust the freezer temperature to a warmer degree and check.
Fridge temperature is very low while the freezer temperature is sufficient.
<ul style="list-style-type: none"> • The fridge temperature is adjusted to a very low value. >>>Adjust the fridge temperature to a warmer degree and check.
Food kept in the fridge compartment drawers is frozen.
<ul style="list-style-type: none"> • The fridge temperature is adjusted to a very high value. >>>Adjust the fridge temperature to a lower value and check.

Temperature in the fridge or freezer is very high.
<ul style="list-style-type: none"> • The fridge temperature is adjusted to a very high value. >>>Fridge compartment temperature setting has an effect on the temperature of the freezer. Change the temperatures of the fridge or freezer and wait until the relevant compartments attain a sufficient temperature. • Doors are opened frequently or left ajar for a long time. >>>Do not open the doors frequently. • Door is ajar. >>>Close the door completely. • The refrigerator is plugged in or loaded with food recently. >>>This is normal. When the refrigerator is plugged in or loaded with food recently, it will take longer for it to attain the set temperature. • Large amounts of hot food might be put in the refrigerator recently. >>>Do not put hot food into the refrigerator.
Vibrations or noise.
<ul style="list-style-type: none"> • The floor is not level or stable. >>> If the refrigerator rocks when moved slowly, balance it by adjusting its feet. Also make sure that the floor is strong enough to carry the refrigerator, and level. • The items put onto the refrigerator may cause noise. >>>Remove the items on top of the refrigerator.
There are noises coming from the refrigerator like liquid flowing, spraying, etc.
<ul style="list-style-type: none"> • Liquid and gas flows occur in accordance with the operating principles of your refrigerator. It is normal and not a fault.
Whistle comes from the refrigerator.
<ul style="list-style-type: none"> • Fans are used in order to cool the refrigerator. It is normal and not a fault.
Condensation on the inner walls of refrigerator.
<ul style="list-style-type: none"> • Hot and humid weather increases icing and condensation. It is normal and not a fault. • Doors are opened frequently or left ajar for a long time. >>>Do not open the doors frequently. Close them if they are open. • Door is ajar. >>>Close the door completely.
Humidity occurs on the outside of the refrigerator or between the doors.
<ul style="list-style-type: none"> • There might be humidity in the air; this is quite normal in humid weather. When the humidity is less, condensation will disappear.
Bad odour inside the refrigerator.
<ul style="list-style-type: none"> • No regular cleaning is performed. >>>Clean the inside of the refrigerator regularly with a sponge, lukewarm water or carbonate dissolved in water. • Some containers or package materials may cause the smell. >>>Use a different container or different brand packaging material. • Food is put into the refrigerator in uncovered containers. >>>Keep the food in closed containers. Microorganisms spreading out from uncovered containers can cause unpleasant odours. • Remove the foods that have expired best before dates and spoiled from the refrigerator.
The door is not closing.
<ul style="list-style-type: none"> • Food packages are preventing the door from closing. >>>Replace the packages that are obstructing the door. • The refrigerator is not completely even on the floor. >>>Adjust the feet to balance the refrigerator. • The floor is not level or strong. >>>Make sure that the floor is level and capable to carry the refrigerator.
Crispers are stuck.
<ul style="list-style-type: none"> • The food is touching the ceiling of the drawer. >>>Rearrange food in the drawer.

Lea este manual antes de utilizar el frigorífico!

Estimado cliente:

Esperamos que este aparato, que ha sido fabricado en plantas dotadas de la más avanzada tecnología y sometido a los más estrictos procedimientos de control de calidad, le preste un servicio eficaz.




Para ello, le recomendamos que lea atentamente el presente manual antes de utilizar el aparato, y que lo tenga a mano para futuras consultas.

Este manual

- Le ayudará a usar el electrodoméstico de manera rápida y segura.
- Lea el manual antes de instalar y poner en funcionamiento el aparato.
- Siga las instrucciones, en particular las relacionadas con la seguridad.
- Conserve el manual en un sitio de fácil acceso, ya que podría necesitarlo en el futuro.
- Lea también los demás documentos suministrados junto con el aparato.
- Tenga en cuenta que este manual también podría ser válido para otros modelos.

Símbolos y sus descripciones

El presente manual de instrucciones emplea los siguientes símbolos:

-  Información importante o consejos útiles sobre el funcionamiento.
-  Advertencia sobre situaciones peligrosas para la vida y la propiedad.
-  Advertencia acerca de la tensión eléctrica.






¡ADVERTENCIA!

Para asegurarse del funcionamiento normal de vuestro refrigerador, conteniendo el refrigerante R600a que contribuye a la protección del ámbito (inflamable sólo en ciertas condiciones), le conviene a respetar las reglas siguientes:

- No impide la circulación del aire alrededor del aparato.
- No utilice utensilios mecánicos o otros dispositivos para acelerar el proceso de descongelación otros de los recomendados por el fabricante.
- No cause daño al circuito refrigerante.
- No utilizar aparatos eléctricos en el interior de los compartimentos de la conservación de los alimentos, si estos no están conformes con el tipo de aparato recomendado por el fabricante.

INFORMACIÓN

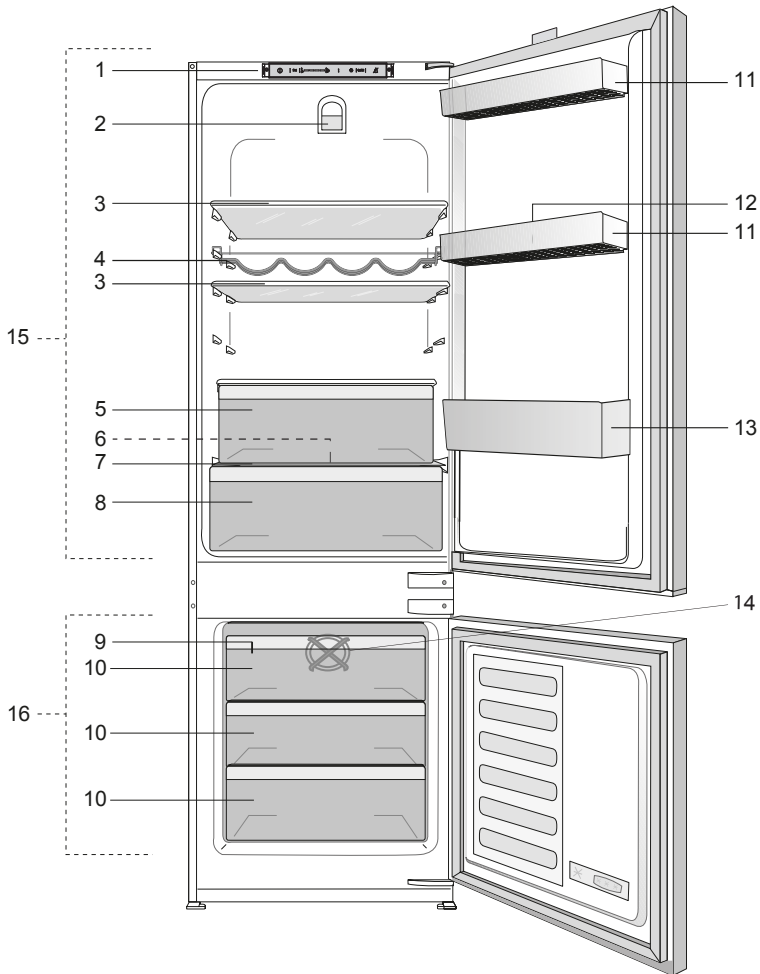
	ENERG 	
SUPPLIER'S NAME	MODEL IDENTIFIER	(*)
A	A	

La información del modelo, tal como está almacenada en la base de datos de productos, puede ser consultada en la página web siguiente introduciendo el identificador del modelo (*) que se encuentra en la etiqueta de clasificación energética.

<https://eprel.ec.europa.eu/>

<u>1 Su frigorífico</u>	<u>3</u>	<u>4 Preparación</u>	<u>11</u>
<u>2 Avisos importantes sobre la seguridad</u>	<u>4</u>	<u>5 Uso del frigorífico</u>	<u>12</u>
Finalidad prevista.....	4	Panel de control.....	12
Seguridad general.....	4	HarvestFresh	13
Productos equipados con dispensador de agua:	6	Deshielo	13
Seguridad infantil.....	6	El contenedor de productos lácteos (almacenamiento frío)	13
Conformidad con la normativa WEEE y eliminación del aparato al final de su vida útil:	6	<u>6 Mantenimiento y limpieza</u>	<u>14</u>
Cumplimiento de la directiva RoHS: ...	7	Protección de las superficies de plástico.....	14
Información sobre el embalaje	7	<u>7 Sugerencias para la solución de problemas</u>	<u>15</u>
Advertencia sobre la seguridad de la salud	7		
Consejos para el ahorro de energía ...	7		
<u>3 Instalación</u>	<u>8</u>		
Cuestiones a considerar a la hora de transportar el frigorífico	8		
Antes de usar el frigorífico.....	8		
Conexiones eléctricas.....	8		
Eliminación del embalaje.....	8		
Eliminación de su viejo frigorífico.....	9		
Colocación e instalación	9		
Sustitución de la bombilla interior	9		
Inversión de las puertas	10		

1 Su frigorífico



- | | |
|---|--|
| 1. Panel de control | 9. Soporte de bandeja de hielo y bandeja de hielo |
| 2. Luz interior | 10. Compartimentos de conservación de alimentos congelados |
| 3. Bandejas ajustables | 11. Estantes de la puerta ajustables |
| 4. Botellero | 12. Huevera |
| 5. Contenedor de productos lácteos | 13. Estante para botellas |
| 6. Canal de recogida del agua de deshielo - conducto de drenaje | 14. Ventilador del congelador |
| 7. Tapa del contenedor de verdura | 15. Compartimento frigorífico |
| 8. Cajón de frutas y verduras | 16. Compartimento congelador |

i Las ilustraciones incluidas en el presente manual de instrucciones son esquemáticas y puede que no se adecúen a su producto con exactitud. Si alguno de los elementos reflejados no se corresponde con el producto que usted ha adquirido, entonces será válido para otros modelos.

2 Avisos importantes sobre la seguridad

Lea con atención la siguiente información. No tener en cuenta dicha información podría acarrear lesiones o daños materiales. En tal caso, las garantías y los compromisos de fiabilidad quedarían anulados.

Se proporcionarán piezas de recambio originales durante 10 años, después de la fecha de compra del producto.

Finalidad prevista

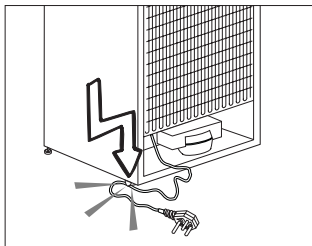
Este aparato está diseñado para usarse en los siguientes entornos:

- interiores y entornos cerrados tales como domicilios particulares;
- Este aparato no se debe usar al aire libre.

Seguridad general

- Cuando desee deshacerse del aparato, le recomendamos que solicite a su servicio técnico autorizado la información necesaria a este respecto, así como la relación de entidades locales a las que puede dirigirse.
- En caso de dudas o problemas, diríjase a su servicio técnico autorizado. No intente reparar el frigorífico sin consultar con el servicio técnico, ni deje que nadie lo haga.
- Para aparatos equipados con un compartimento congelador: no consuma los helados o cubitos de hielo inmediatamente después de sacarlos del compartimento congelador, ya que podría sufrir daños en su boca a causa del frío.
- Para aparatos equipados con un compartimento congelador: no deposite bebidas embotelladas o enlatadas en el compartimento congelador, ya que podrían estallar.
- No toque con la mano los alimentos congelados, ya que podrían adherirse a ella.
- Desenchufe su frigorífico antes de proceder a su limpieza o deshielo.
- No utilice nunca materiales de limpieza que usen vapor para limpiar o descongelar el frigorífico. El vapor podría entrar en contacto con los elementos eléctricos y causar cortocircuitos o descargas eléctricas.
- No utilice nunca elementos del frigorífico tales como la puerta como medio de sujeción o como escalón.
- No utilice aparatos eléctricos en el interior del frigorífico.
- Evite dañar el circuito del refrigerante con herramientas cortantes o de perforación. El refrigerante que puede liberarse si se perforan los canales de gas del evaporador, los conductos o los recubrimientos de las superficies causa irritaciones en la piel y lesiones en los ojos.
- No cubra ni bloquee los orificios de ventilación de su frigorífico con ningún material.
- Deje la reparación de los aparatos eléctricos únicamente en manos de personal autorizado. Las reparaciones realizadas por personas incompetentes generan riesgos para el usuario.

- En caso de fallo o cuando vaya a realizar cualquier operación de reparación o mantenimiento, desconecte el frigorífico de la corriente apagando el fusible correspondiente o bien desenchufando el aparato.
- No desenchufe el aparato de la toma de corriente tirando del cable.
- Coloque las bebidas de mayor graduación alcohólica juntas y en posición vertical.
- No almacene en el frigorífico aerosoles que contengan sustancias inflamables o explosivas.
- No utilice dispositivos mecánicos u otros medios para acelerar el proceso de deshielo distintos de los recomendados por el fabricante.
- Este aparato no debe ser utilizado por niños o por personas con sus facultades físicas, sensoriales o mentales reducidas o bien que carezcan de la experiencia y los conocimientos necesarios, a menos que lo hagan bajo la supervisión de personas responsables de su seguridad o bien tras haber recibido instrucciones de uso por parte de dichas personas.
- No utilice un frigorífico que haya sufrido daños. Consulte con el servicio de atención al cliente en caso de duda.
- La seguridad eléctrica de su frigorífico sólo estará garantizada si el sistema de toma de tierra de su domicilio se ajusta a los estándares.
- Desde el punto de vista de la seguridad eléctrica, es peligroso exponer el aparato a la lluvia, la nieve o el viento.
- Póngase en contacto con el servicio técnico autorizado en caso de que el cable de alimentación principal se dañe, para evitar cualquier peligro.
- Nunca enchufe el frigorífico en la toma de corriente durante su instalación. Existe peligro de lesiones graves e incluso de muerte.
- Este frigorífico está únicamente diseñado para almacenar alimentos. No debe utilizarse para ningún otro propósito.
- La etiqueta que contiene los datos técnicos del frigorífico se encuentra en la parte interior izquierda del mismo.
- Jamás conecte el frigorífico a sistemas de ahorro de electricidad, ya que podría dañarlo.
- Si el frigorífico está equipado con una luz azul, no la mire a través de dispositivos ópticos.
- En los frigoríficos de control manual, si se produce un corte del fluido eléctrico espere al menos 5 minutos antes de volver a ponerlo en marcha.
- Cuando entregue este aparato a un nuevo propietario, asegúrese de entregar también este manual de instrucciones.
- Tenga cuidado de no dañar el cable de alimentación al transportar el frigorífico. Doblar el cable podría causar un incendio. Nunca deposite objetos pesados encima del cable de alimentación.



- No toque el enchufe con las manos mojadas para conectar el aparato.
- No enchufe el frigorífico si el enchufe no encaja con firmeza en la toma de corriente de la pared.

- Por razones de seguridad, no pulverice agua directamente en la partes interiores o exteriores de este aparato.
- No rocíe cerca del frigorífico sustancias que contengan gases inflamables tales como gas propano para evitar riesgos de incendio y explosiones.
- Nunca coloque recipientes con agua sobre el frigorífico, ya que podría provocar una descarga eléctrica o un incendio.
- No deposite cantidades excesivas de alimentos en el frigorífico. Si lo hace, al abrir la puerta del frigorífico los alimentos podrían caerse y provocar lesiones personales o dañar el frigorífico. Nunca coloque objetos sobre el frigorífico, ya que podrían caer al abrir o cerrar la puerta.
- No guarde en el frigorífico productos que necesiten un control preciso de la temperatura tales como vacunas, medicamentos sensibles al calor, materiales científicos, etc.
- Desenchufe el frigorífico si no lo va a utilizar durante un periodo prolongado de tiempo. Un problema en el cable de alimentación podría causar un incendio.
- Limpie regularmente la punta del enchufe, ya que de lo contrario puede provocar un incendio.
- Limpie regularmente la punta del enchufe con un paño seco; de lo contrario podría provocarse un incendio.
- El frigorífico podría moverse si los pies no están adecuadamente asentados en el suelo. Fijar adecuadamente los pies del frigorífico en el suelo puede ayudar a evitar que se mueva.
- Cuando transporte el frigorífico, no lo aferre del asa de la puerta. De lo contrario, podría romperla.
- Cuando tenga que colocar el frigorífico cerca de otro frigorífico o congelador, deberá dejar un espacio entre ambos aparatos de 8 cm como mínimo. De lo contrario, podría formarse humedad en las paredes adyacentes.

Productos equipados con dispensador de agua:

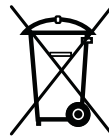
La presión de la red de suministro de agua debe ser de un mínimo de 1 bar. La presión de la red de suministro de agua debe ser de 8 bares como máximo.

- Use agua potable únicamente.

Seguridad infantil

- Si la puerta tiene cerradura, mantenga la llave fuera del alcance de los niños.
- Vigile a los niños para evitar que manipulen el aparato.

Conformidad con la normativa WEEE y eliminación del aparato al final de su vida útil:



Este producto es conforme con la directiva de la UE sobre residuos de aparatos eléctricos y electrónicos (WEEE) (2012/19/UE).

Este producto incorpora el símbolo de la clasificación selectiva para los residuos de aparatos eléctricos y electrónicos (WEEE).

Este aparato se ha fabricado con piezas y materiales de primera calidad, que pueden ser reutilizados y son aptos para el reciclado. No se deshaga del producto junto con sus los residuos domésticos normales y de otros tipos al final de su vida útil. Llévelo a un centro de reciclaje de dispositivos eléctricos y electrónicos. Solicite a las autoridades locales información acerca de dichos centros de recogida.

Este aparato se ha fabricado con piezas y materiales de primera calidad, que pueden ser reutilizados y son aptos para el reciclado. No se deshaga del producto junto con sus los residuos domésticos normales y de otros tipos al final de su vida útil. Llévelo a un centro de reciclaje de dispositivos eléctricos y electrónicos. Solicite a las autoridades locales información acerca de dichos centros de recogida.

Cumplimiento de la directiva RoHS:

El producto que ha adquirido es conforme con la directiva de la UE sobre la restricción de sustancias peligrosas (RoHS) (2011/65/UE). No contiene ninguno de los materiales nocivos o prohibidos especificados en la directiva.

Información sobre el embalaje

El embalaje del aparato se fabrica con materiales reciclables, de acuerdo con nuestro Reglamento Nacional sobre Medio Ambiente. No elimine los materiales de embalaje junto con los residuos domésticos o de otro tipo. Llévelos a un punto de recogida de materiales de embalaje designado por las autoridades locales.

Advertencia sobre la seguridad de la salud

Si el sistema de refrigeración de su aparato contiene R600a:

Este gas es inflamable. Por lo tanto, procure no dañar el sistema de enfriamiento ni sus conductos durante el uso o el transporte del aparato. En caso de daños, mantenga el aparato alejado de fuentes potenciales de ignición que puedan provocar que éste sufra un incendio, y ventile la estancia en la que se encuentre el aparato.


Ignore esta advertencia si el sistema de refrigeración de su aparato contiene R134a.

El tipo de gas utilizado en el aparato se indica en la placa de datos ubicada en la pared interior izquierda del frigorífico. Jamás arroje el aparato al fuego.

Consejos para el ahorro de energía

- No deje las puertas del frigorífico abiertas durante periodos largos de tiempo.
- No introduzca alimentos o bebidas calientes en el frigorífico.
- No sobrecargue el frigorífico, ya que entorpecería la circulación del aire en su interior.
- No instale el frigorífico de forma que quede expuesto a la luz solar directa o cerca de aparatos que irradien calor tales como hornos, lavavajillas o radiadores.
- Procure depositar los alimentos en recipientes cerrados.
- Productos equipados con compartimento congelador: puede disponer del máximo volumen para el depósito de alimentos retirando el estante o el cajón del congelador. El consumo energético que se indica para su frigorífico se ha calculado retirando el estante o el cajón del congelador y en condiciones de máxima carga. No existe ningún riesgo en la utilización de un estante o cajón según las formas o tamaños de los alimentos que se van a congelar.
- Descongele los alimentos congelados en el compartimento frigorífico; ahorrará energía y preservará la calidad de los alimentos.

3 Instalación

 Recuerde que el fabricante declina toda responsabilidad en caso de incumplimiento de las instrucciones de este manual.

Questiones a considerar a la hora de transportar el frigorífico

1. El frigorífico debe estar vacío y limpio antes de proceder a su transporte.
2. Los estantes, accesorios, el cajón de frutas y verduras, etc., deben sujetarse con cinta adhesiva antes de embalar el frigorífico para evitar que se muevan.
3. Encinte el frigorífico una vez embalado con cinta gruesa y fíjelo con cuerdas resistentes. Siga las reglas de transporte que encontrará impresas en el propio embalaje.

No olvide que:

El reciclaje de materiales es un asunto de vital importancia para la naturaleza y para los recursos del país.

Si desea contribuir al reciclaje de los materiales de embalaje, solicite más información a los responsables medioambientales de su zona o a las autoridades locales.

Antes de usar el frigorífico

Antes de empezar a usar el frigorífico, verifique lo siguiente:

1. El interior del frigorífico está seco y el aire puede circular con libertad por su parte posterior.
2. Limpie el interior del frigorífico de la forma recomendada en la sección "Mantenimiento y Limpieza".
3. Enchufe el frigorífico a la toma de corriente. Al abrir la puerta del frigorífico, la luz interior del compartimento frigorífico se enciende.

4. Se oye un ruido cada vez que el compresor se pone en funcionamiento. El líquido y los gases contenidos en el sistema de refrigeración pueden también generar ruidos, incluso aunque el compresor no esté funcionando, lo cual es normal.


5. Es posible que las aristas delanteras del aparato se noten calientes al tacto, cosa que es perfectamente normal. Estas zonas deben permanecer calientes para evitar la condensación.


Conexiones eléctricas

Conecte el frigorífico a una toma de corriente provista de toma de tierra y protegida por un fusible de la capacidad adecuada.

Importante:

- La conexión debe cumplir con las normativas nacionales.
- El enchufe de alimentación debe ser fácilmente accesible tras la instalación.
- La tensión especificada debe corresponder a la tensión de la red eléctrica.
- **No use cables de extensión ni enchufes múltiples para conectar la unidad.**

 Todo cable de alimentación dañado debe ser reemplazado por un electricista cualificado.

 No ponga en funcionamiento el aparato hasta que esté reparado, ya que existe peligro de cortocircuito.

Eliminación del embalaje

Los materiales de empaque pueden ser peligrosos para los niños. Manténgalos fuera de su alcance o deshágase de ellos clasificándolos según las instrucciones para la eliminación de residuos. No los tire junto con los residuos domésticos normales.

El embalaje del frigorífico se ha fabricado con materiales reciclables.

Eliminación de su viejo frigorífico

Deshágase de su viejo frigorífico de manera respetuosa con el medio ambiente.

- Consulte las posibles alternativas a un distribuidor autorizado o al centro de recogida de residuos de su municipio.

Antes de proceder a la eliminación del frigorífico, corte el enchufe y, si las puertas tuvieran cierres, destrúyalos para evitar que los niños corran riesgos.

Colocación e instalación

△ Si la puerta de entrada a la estancia donde va a instalar el frigorífico no es lo suficientemente ancha como para permitir su paso, solicite al servicio técnico que retire las puertas del frigorífico y lo pase de lado a través de la puerta.

1. Instale el frigorífico en un lugar en el que pueda utilizarse con comodidad.
2. Mantenga el frigorífico alejado de fuentes de calor y lugares húmedos y evite su exposición directa a la luz solar.
3. Para que el frigorífico funcione con la máxima eficacia, debe instalarse en una zona que disponga de una ventilación adecuada. Si el frigorífico va a instalarse en un hueco de la pared, debe dejarse un mínimo de 5 cm de separación con el techo y de 5 cm con las paredes. Si el suelo está cubierto con una alfombra, deberá elevar el frigorífico 2,5 cm del suelo.
4. Coloque el frigorífico sobre una superficie lisa para evitar sacudidas.
5. No instale el frigorífico en estancias cuya temperatura ambiente sea inferior a 10°C.

Sustitución de la bombilla interior

Para cambiar la bombilla utilizada para iluminar el frigorífico, póngase en contacto con el servicio técnico autorizado.

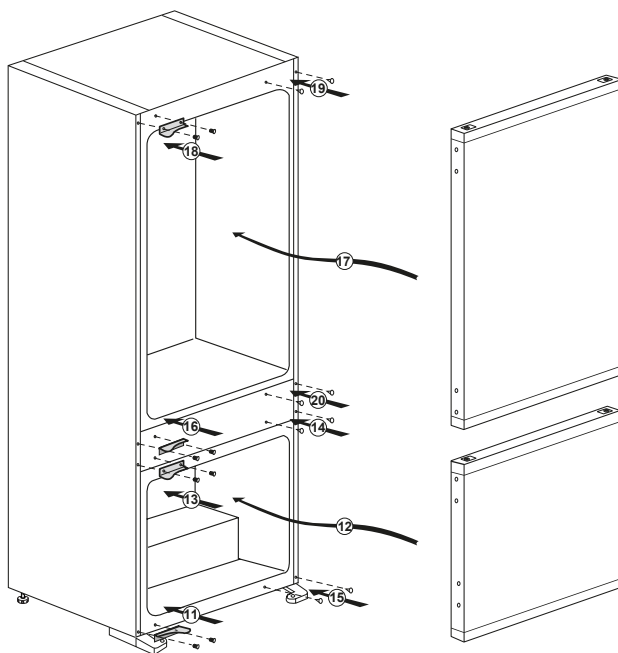
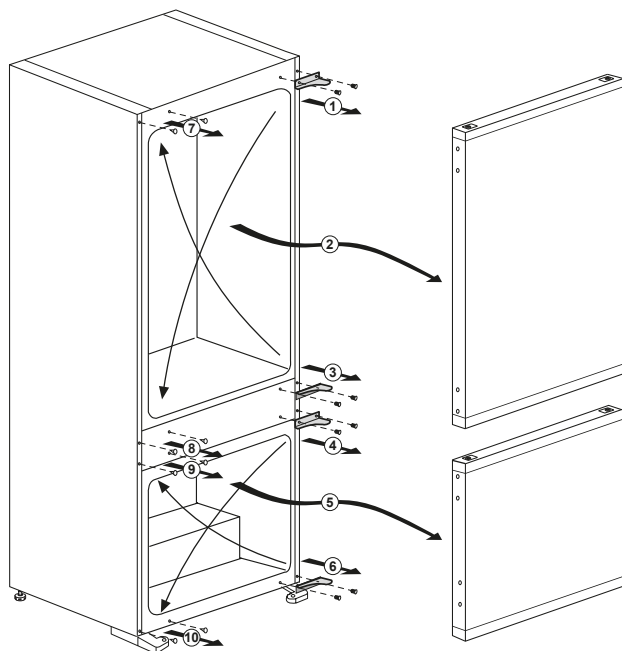
Las bombillas de este electrodoméstico no sirven para la iluminación en el hogar.

Su propósito es el de ayudar al usuario a colocar los alimentos en el frigorífico o congelador de forma cómoda y segura.

Las lámparas utilizadas en este electrodoméstico deben soportar unas condiciones físicas extremas como temperaturas inferiores a -20°C.

Inversión de las puertas

Proceder en orden numérico.

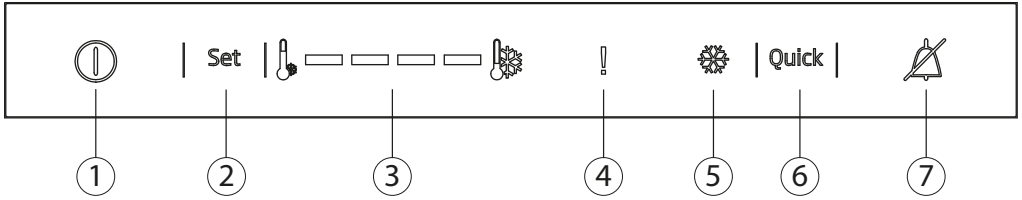


4 Preparación

- El frigorífico debe instalarse dejando una separación no inferior a 30 cm respecto a fuentes de calor tales como quemadores, hornos, calefacciones o estufas y no inferior a 5 cm con respecto a hornos eléctricos, evitando asimismo su exposición directa a la luz solar.
- La temperatura ambiente de la estancia donde instale el frigorífico no debe ser inferior a 10°C. A temperaturas inferiores, el frigorífico puede ver reducida su eficacia.
- Asegúrese de limpiar meticulosamente el interior del frigorífico.
- En caso de que vaya a instalar dos frigoríficos uno al lado del otro, debe dejar una separación no inferior a 2 cm entre ellos.
- Al utilizar el frigorífico por primera vez, siga las siguientes instrucciones referentes a las primeras seis horas.
- No abra la puerta con frecuencia.
- No deposite alimentos en el interior.
- No desenchufe el frigorífico. En caso de corte del suministro eléctrico ajeno a su voluntad, consulte las advertencias de la sección "Sugerencias para la solución de problemas".
- Guarde el embalaje original para futuros traslados.

5 Uso del frigorífico

Panel de control



1 - Función de encendido/apagado

Mantenga pulsado el botón de encendido/apagado durante 3 segundos para encender o apagar el frigorífico.

2 - Botón de ajuste del frigorífico

Esta función le permite ajustar la temperatura del compartimento frigorífico.

Pulse este botón para ajustar la temperatura del compartimento refrigerador a - (más cálido), --, ---, ----, ----- (más frío) respectivamente.

3 - Indicador de ajuste de temperatura del compartimento frigorífico

Indica la temperatura ajustada para el compartimento frigorífico. Los ajustes son - (más cálido), --, ---, ----, ----- (más frío).

4 - Indicador de temperatura alta / aviso de error

Este indicador se enciende en caso de fallo de alta temperatura o aviso de error.

5 - Indicador de refrigeración rápida

Este icono se ilumina cuando función de refrigeración rápida está activa.

6 - Función de refrigeración rápida

Al pulsar el botón de refrigeración rápida, la temperatura del compartimento descenderá por debajo del valor fijado.

Esta función puede utilizarse para enfriar con rapidez alimentos depositados en el compartimento frigorífico.

Si desea enfriar grandes cantidades de alimentos frescos, se recomienda activar esta función antes de depositar los alimentos en el frigorífico. El indicador de refrigeración rápida permanecerá encendido mientras la función de refrigeración rápida esté activa. Para cancelar esta función pulse nuevamente el botón de refrigeración rápida. El indicador de refrigeración rápida se apagará y el electrodoméstico volverá a sus valores normales.

Si no cancela manualmente la función de refrigeración rápida, ésta se cancelará automáticamente transcurridas ocho horas o bien una vez el compartimento frigorífico alcance la temperatura deseada.

En caso de corte del fluido eléctrico, esta función no se activará automáticamente al restablecerse el suministro eléctrico.

7 - Desconexión de la alarma

Cuando la puerta del frigorífico se mantenga abierta durante 2 minutos o en caso de corte del fluido eléctrico, sonará una señal acústica. La señal acústica puede apagarse pulsando el botón "Desactivar señal acústica".

La señal acústica de fallo de sensor no sonará hasta la interrupción de la corriente eléctrica. Si cierra la puerta y la vuelve a abrir, la señal acústica de puerta abierta se activará de nuevo 2 minutos más tarde.

HarvestFresh

Las frutas y verduras almacenadas en los cajones iluminados con la tecnología HarvestFresh conservan sus vitaminas durante más tiempo gracias a los ciclos de luces azules, verdes, rojas y oscuras, que simulan un ciclo diurno.

Si abre la puerta del refrigerador mientras que el ciclo de luz oscura de HarvestFresh está funcionando, el refrigerador lo detectará automáticamente y permitirá que la luz azul, verde o roja ilumine el cajón para su mayor comodidad. Después de cerrar la puerta del refrigerador, el ciclo oscuro se reanudará, para así completar el ciclo diurno natural.

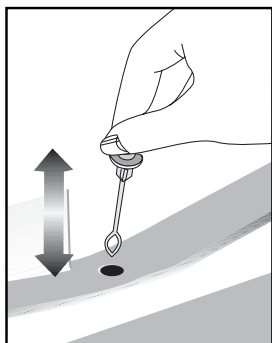
Deshielo

A) Compartimento frigorífico

El compartimento frigorífico realiza un deshielo totalmente automático.

Se pueden producir gotas de agua y una capa de hielo de hasta 7-8 mm en la pared trasera del compartimento del refrigerador durante su enfriamiento. Esto es normal, como resultado del sistema de enfriamiento. La escarcha se elimina con un desescarche automático en ciertos intervalos de tiempo, gracias al sistema de desescarche automático de la pared trasero. El usuario no tendrá que raspar la capa de hielo o eliminar las gotas de agua. El agua resultante del deshielo pasa por la ranura de recogida de agua y fluye al evaporador a través del tubo de drenaje, donde se evapora.

Compruebe con regularidad los posibles atascos del tubo de drenaje y límpielo introduciendo un palillo en el orificio, si es necesario.



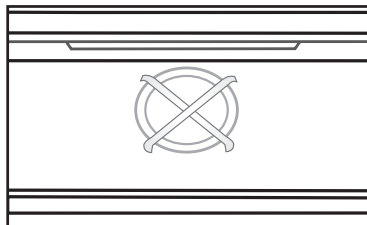
B) Compartimento congelador

El compartimento del congelador se deshíela de manera automática.

¡Avisos!

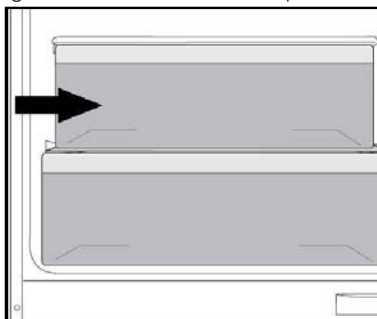
Los ventilador de los compartimento congelador circular aire frío. No introduzca nunca objetos a través del protector. No permita que los niños jueguen con los ventilador de los compartimentos congelador. No deposite nunca productos que contengan gases inflamables (por ejemplo, dosificadores, aerosoles, etc.) ni sustancias explosivas. No cubra los estantes con ningún material protector que pueda obstruir la circulación del aire.

No permita a los niños jugar con el electrodoméstico ni manipular sus mandos. No permita que se obstruyan los protectores de los ventiladores con el fin de obtener el mayor rendimiento posible del electrodoméstico.



El contenedor de productos lácteos (almacenamiento frío)

El contenedor de productos lácteos (almacenamiento frío) proporciona una temperatura más baja dentro del compartimento del frigorífico. Utilice este contenedor con el fin de almacenar productos de charcutería (salami, salchichas, productos lácteos, etc.) que requieren una temperatura de almacenamiento más baja o productos de carne, pollo o pescado para su consumo inmediato. No almacene frutas y vegetales dentro de este compartimento.



6 Mantenimiento y limpieza

- ⚠ No utilice nunca gasolina, benceno o sustancias similares para la limpieza.
- ⚠ Le recomendamos desenchufar el aparato antes de proceder a su limpieza.
- ❗ No utilice nunca para la limpieza instrumentos afilados o sustancias abrasivas, jabones, limpiadores domésticos, detergentes ni ceras abrillantadoras.
- ❗ Limpie el armario del frigorífico con agua tibia y séquelo con un paño.
- ❗ Para limpiar el interior, utilice un paño humedecido en un vaso grande de agua con una cucharadita de bicarbonato sódico disuelta y séquelo con un trapo.
- ⚠ Asegúrese de que no penetre agua en el alojamiento de la lámpara ni en otros elementos eléctricos.
- ⚠ Si no va a utilizar el frigorífico durante un periodo prolongado, desenchúfelo, retire todos los alimentos, límpielo y deje la puerta entreabierta.
- ❗ Compruebe regularmente los cierres herméticos de la puerta para asegurarse de que estén limpios y sin restos de alimentos.
- ❗ Para extraer las bandejas de la puerta, retire todo su contenido y, a continuación, simplemente empuje la bandeja hacia arriba desde su base.
- ❗ Nunca use agentes de limpieza o agua que contengan cloro para limpiar las superficies exteriores y los cromados del producto, ya que el cloro corroe dichas superficies metálicas.

Protección de las superficies de plástico

- ❗ No deposite aceites líquidos o alimentos aceitosos en recipientes no cerrados ya que dañarán las superficies de plástico de su frigorífico. En caso de derrame de aceite sobre las superficies de plástico, limpie y enjuague con agua caliente la parte afectada de inmediato.

7 Sugerencias para la solución de problemas

Le rogamos compruebe la siguiente lista antes de llamar al servicio técnico. Ello puede ayudarle a ahorrar tiempo y dinero. Esta lista incluye problemas frecuentes no achacables a defectos en materiales o manufactura. Es posible que algunas de las características mencionadas no estén presentes en su producto.

El refrigerador no funciona.
<ul style="list-style-type: none">• ¿Está el frigorífico correctamente enchufado? Inserte el enchufe en la toma de corriente.• ¿Están fundidos el fusible principal o el fusible del enchufe al cual ha conectado el frigorífico? Revise los fusibles.
Condensación en la pared lateral del compartimento refrigerador. (MULTI ZONE, COOL CONTROL y FLEXI ZONE).
<ul style="list-style-type: none">• Condiciones ambientales muy frías. Frecuente apertura y cierre de la puerta. Nivel alto de humedad ambiental. Almacenamiento de alimentos que contienen líquidos en recipientes abiertos. Dejar la puerta entreabierta.• Ponga el termostato a una temperatura más baja.• Deje la puerta abierta durante menos tiempo o ábrala con menor frecuencia.• Cubra los alimentos almacenados en recipientes abiertos con un material adecuado.• Enjugue el agua condensada con un paño seco y compruebe si la condensación persiste.
El compresor no funciona.
<ul style="list-style-type: none">• El dispositivo térmico protector del compresor saltará en caso de un corte súbito de energía o de idas y venidas de la corriente, ya que la presión del refrigerante en el sistema de enfriamiento aún no se ha estabilizado.• Su frigorífico se pondrá en marcha transcurridos unos 6 minutos. Llame al servicio técnico si su frigorífico no se pone en marcha transcurrido ese periodo.• El frigorífico se encuentra en el ciclo de descongelación. Esto es normal en un frigorífico con descongelación automática. El ciclo de descongelación se produce de forma periódica.• El frigorífico no está enchufado. Compruebe que el enchufe esté firmemente insertado en la toma de corriente.• ¿Está la temperatura correctamente fijada? Hay un corte del fluido eléctrico. Llame a su electricista.

El frigorífico está en funcionamiento con frecuencia o durante periodos prolongados.
<ul style="list-style-type: none"> • Puede que su nuevo frigorífico sea más grande que el que tenía anteriormente. Esto es perfectamente normal. Los frigoríficos de mayor tamaño funcionan durante más tiempo. • Es posible que la temperatura ambiente de la estancia sea más alta. Esto es perfectamente normal. • Es posible que haya enchufado el frigorífico o bien lo haya cargado de alimentos recientemente. Puede que el frigorífico tarde unas dos horas en enfriarse por completo. • Es posible que recientemente haya depositado grandes cantidades de alimentos en el frigorífico. Los alimentos calientes pueden ocasionar que el frigorífico trabaje durante más tiempo hasta alcanzar la temperatura de almacenamiento seguro. • Es posible que las puertas se hayan abierto con frecuencia o que se hayan dejado entreabiertas por un tiempo prolongado. El aire caliente que ha penetrado en el frigorífico hace que éste funcione durante más tiempo. Abra las puertas con menos frecuencia. • Es posible que la puerta del compartimento frigorífico o congelador se haya dejado entreabierta. Compruebe que las puertas estén bien cerradas. • El frigorífico está ajustado a una temperatura muy baja. Ajuste la temperatura del frigorífico a un valor más alto y espere a que se alcance dicha temperatura. • La junta de la puerta del compartimento frigorífico o congelador puede estar sucia, desgastada, rota o no asentada correctamente. Limpie o sustituya la junta. Una junta rota o dañada hace que el frigorífico funcione durante más tiempo con el fin de mantener la temperatura actual.
La temperatura del congelador es muy baja, mientras que la del frigorífico es correcta.
<ul style="list-style-type: none"> • La temperatura del congelador está ajustada a un valor muy bajo. Ajuste la temperatura del congelador a un valor más elevado y compruebe.
La temperatura del frigorífico es muy baja, mientras que la del congelador es correcta.
<ul style="list-style-type: none"> • La temperatura del compartimento frigorífico está ajustada a un valor muy bajo. Ajuste la temperatura del frigorífico a un valor más elevado y compruebe.
Los alimentos depositados en los cajones del compartimento frigorífico se están congelando.
<ul style="list-style-type: none"> • La temperatura del compartimento frigorífico está ajustada a un valor muy bajo. Ajuste la temperatura del frigorífico a un valor más elevado y compruebe.
La temperatura del congelador o el frigorífico es muy alta.
<ul style="list-style-type: none"> • La temperatura del frigorífico está ajustada a un valor muy alto. El ajuste de la temperatura del frigorífico afecta a la temperatura del congelador. Cambie la temperatura del frigorífico o del congelador hasta que alcance un nivel suficiente. • Es posible que la puerta se haya quedado entreabierta. Cierre la puerta del todo. • Es posible que recientemente haya depositado grandes cantidades de alimentos en el frigorífico. Espere hasta que el frigorífico o el congelador alcance la temperatura deseada. • Es posible que el frigorífico haya sido enchufado recientemente. El enfriamiento completo del frigorífico lleva un tiempo debido a su tamaño.
Puede escucharse un sonido parecido al tic tac de un reloj saliendo del frigorífico.
<ul style="list-style-type: none"> • Este ruido procede de la electroválvula del frigorífico. La electroválvula garantiza el flujo de líquido refrigerante a través del compartimento, que puede ajustarse a temperaturas de enfriamiento o congelación así como llevar a cabo funciones de refrigeración. Esto es perfectamente normal y no es ninguna anomalía.

El nivel de ruidos propios del funcionamiento se incrementa cuando el frigorífico está en marcha.
<ul style="list-style-type: none"> Las características de rendimiento del frigorífico pueden cambiar en función de las variaciones en la temperatura ambiente. Esto es perfectamente normal, no es ninguna avería.
Vibraciones o ruidos.
<ul style="list-style-type: none"> El suelo no está nivelado ni es firme. El frigorífico oscila al moverlo lentamente. Compruebe que el suelo esté nivelado y sea firme y capaz de soportar el peso del frigorífico. El ruido puede deberse a los elementos guardados en el frigorífico. Tales objetos deben retirarse de la parte superior del frigorífico.
Pueden oírse ruidos como si un líquido se derramara o se pulverizara.
<ul style="list-style-type: none"> Los líquidos y gases fluyen de acuerdo con los principios de funcionamiento del frigorífico. Esto es perfectamente normal, no es ninguna avería.
Puede oírse un ruido parecido al viento.
<ul style="list-style-type: none"> Se utilizan ventiladores con el fin de hacer que el frigorífico se enfríe con eficiencia. Esto es perfectamente normal, no es ninguna avería.
Condensación en las paredes interiores del frigorífico.
<ul style="list-style-type: none"> El tiempo cálido y húmedo favorece la formación de hielo y la condensación. Esto es perfectamente normal, no es ninguna avería. Las puertas están entreabiertas. Asegúrese de que las puertas estén completamente cerradas. Es posible que las puertas se hayan estado abriendo con frecuencia o que se hayan dejado abiertas durante un periodo prolongado. Abra las puertas con menor frecuencia.
Hay humedad en el exterior del frigorífico o entre las puertas.
<ul style="list-style-type: none"> Puede que haya humedad ambiental. Esto es perfectamente normal en climas húmedos. Cuando el grado de humedad descienda, la condensación desaparecerá.
Mal olor en el interior del frigorífico.
<ul style="list-style-type: none"> El interior del frigorífico debe limpiarse. Limpie el interior del frigorífico con una esponja empapada en agua caliente o agua con gas. Es posible que el olor provenga de algún recipiente o envoltorio. Utilice otro recipiente o materiales para envolver de una marca diferente.
La puerta (o puertas) no se cierra.
<ul style="list-style-type: none"> Puede que los paquetes de alimentos depositados no dejen que las puertas se cierren. Recolecte los paquetes que estén obstruyendo la puerta. Es probable que el frigorífico no esté en posición completamente vertical sobre el suelo y que oscile si se lo mueve ligeramente. Ajuste los tornillos de elevación. El suelo no está nivelado o no es firme. Compruebe que el suelo esté nivelado y que sea capaz de soportar el peso del frigorífico.
Los cajones están atascados.
<ul style="list-style-type: none"> Es posible que algún alimento toque el techo del cajón. Cambie la distribución de los alimentos en el cajón.

Por favor, leia primeiro este manual!

Caro cliente,

Esperamos que o seu produto, que foi produzido em modernas instalações e testado através de rigorosos controlos de qualidade, ofereça-lhe um serviço efectivo.




Para isso, recomendamos que leia cuidadosa e inteiramente o manual do seu produto antes de utilizá-lo e guarde-o para futuras consultas.

Este manual

- Ajudá-lo-á a utilizar o seu equipamento de forma rápida e segura.
- Leia o manual antes de instalar e funcionar o seu equipamento.
- Siga as instruções, especialmente aquelas relativas à segurança.
- Guarde o manual num local acessível, já que poderá precisar dele mais tarde.
- Além disso, leia também os outros documentos fornecidos com o seu produto.
- Observe que este manual também pode ser válido para outros modelos.

Os símbolos e as suas descrições

Este manual de instruções contém os seguintes símbolos:

-  Informações importantes ou dicas úteis de utilização.
-  Aviso sobre as condições de risco para a vida e a propriedade.
-  Aviso sobre a voltagem eléctrica.



AVISO!

Afim de assegurar um funcionamento normal do seu equipamento de refrigeração que utiliza um refrigerador, o R600a, completamente amigo do ambiente (inflamável apenas sob certas condições), deve observar as seguintes normas:

- Não obstrua a livre circulação do ar ao redor do equipamento.
- Não utilize dispositivos mecânicos que não os recomendados pelo fabricante para acelerar a descongelação.
- Não destrua o circuito de refrigeração.
- Não utilize equipamentos eléctricos que não aqueles que devem ter sido recomendados pelo fabricante dentro do compartimento para guardar comida.

INFORMAÇÃO



ENERG



SUPPLIER'S NAME

MODEL IDENTIFIER

(*)

A

A

A informação do modelo conforme memorizada na base de dados do produto pode ser acedida entrando no seguinte sítio web e através da busca do identificador do seu modelo (*) que se encontra na etiqueta de classificação energética.

<https://eprel.ec.europa.eu/>

1 O seu frigorífico 3 **4 Preparação 10**

2 Avisos importantes de segurança 4

Uso pretendido.....	4
Segurança geral.....	4
Para produtos com um dispensador de água;.....	6
Segurança com crianças.....	6
Conformidade com a Directiva WEEE e Eliminação de Resíduos:	6
Cumprimento com a Directiva RoHS...6	
Informação sobre a embalagem	6
Aviso HCA.....	6
O que se pode fazer para economizar energia	6

3 Instalação 7

Pontos a serem considerados ao transportar novamente o seu frigorífico.....	7
Antes de funcionar o seu frigorífico	7
Ligação eléctrica.....	7
Eliminação da embalagem.....	7
Eliminação do seu frigorífico velho	8
Colocação e instalação	8
Substituição da lâmpada interior.....	8
Inverter as portas.....	9

5 Utilizar o seu frigorífico 11

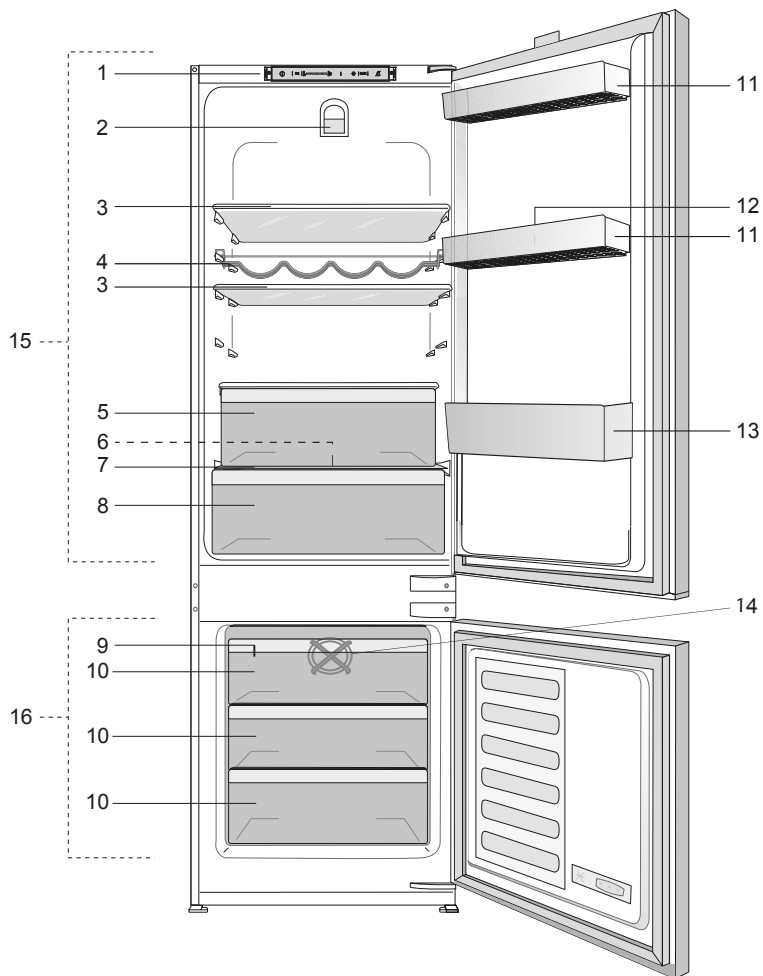
Painel de controlo.....	11
HarvestFresh.....	12
Descongelação.....	12
O compartimento de laticínios (armazenamento frio)	12

6 Manutenção e limpeza 13

Protecção das superfícies plásticas...13	
--	--

7 Soluções recomendadas para os problemas 14

1 O seu frigorífico



- | | |
|---|--|
| 1. Painel de controlo | 10. Compartimentos para alimentos congelados |
| 2. Luz interior | 11. Prateleiras da porta ajustáveis |
| 3. Prateleiras ajustáveis | 12. Tabuleiro para ovos |
| 4. Suporte para garrafas de vinho | 13. Prateleira para garrafas |
| 5. Compartimento de laticínios | 14. Ventoinha do congelador |
| 6. Canal de recolha da água da descongelação - tubo de drenagem | 15. Compartimento do refrigerador |
| 7. Tampa do recipiente para vegetais | 16. Compartimento do congelador |
| 8. Recipiente para vegetais | |
| 9. Banco de gelo | |

i As figuras que aparecem neste manual de instruções são esquemáticas e podem não corresponder exactamente ao seu produto. Se as partes referidas não estiverem incluídas no produto que adquiriu, é porque são válidas para outros modelos.

2 Avisos importantes de segurança

Por favor, reveja as informações seguintes. A não-observância destas informações pode causar ferimentos ou danos ao material. Caso contrário, todas as garantias e compromissos de fiabilidade tornar-se-ão inválidos.

Uso pretendido

Este produto está concebido para ser usado:

- áreas internas e fechadas como casas;
- em ambientes de trabalho fechados, como lojas e escritórios;
- em áreas de hospedagem fechadas, como casas rurais, hotéis, pensões.
- Este produto não deve ser usado em exteriores.

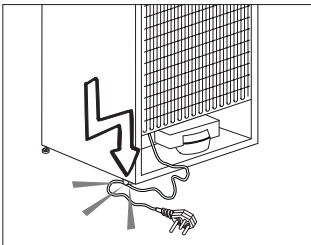
Segurança geral

- Quando quiser eliminar/desfazer-se do produto, recomendamos que consulte o serviço de assistência e os órgãos autorizados para obter mais informações.
- Consulte o seu serviço de assistência autorizado para todas as questões e problemas relativos ao frigorífico. Não tente reparar e nem permita que ninguém faça sem notificar os serviços de assistência autorizados.
- Para produtos com um compartimento de congelador; Não coma cones de gelados e cubos de gelo imediatamente após retirá-los do compartimento do congelador! (Isto pode provocar queimaduras de frio na sua boca).
- Para produtos com compartimento de congelador; Não coloque bebidas líquidas enlatadas ou engarrafadas no compartimento do congelador. Caso contrário, podem rebentar.
- Não toque nos alimentos congelados; podem ficar presos à sua mão.
- Desligue o seu frigorífico da tomada antes da limpeza ou descongelação.
- O vapor e materiais de limpeza vaporizados nunca deverão ser utilizados nos processos de limpeza e descongelação do seu frigorífico.

Em tais casos, o vapor poderá entrar em contacto com as partes eléctricas e provocar curto-circuito ou choque eléctrico.

- Nunca use as partes do seu frigorífico, tal como a porta, como meios de apoio ou degrau.
- Não utilize dispositivos eléctricos dentro do frigorífico.
- Não danifique as partes por onde circula a refrigeração, com ferramentas perfurantes ou cortantes. O refrigerante que pode explodir quando os canais do tubo ou os revestimentos da superfície são perfurados, causa irritações na pele ou ferimentos nos olhos.
- Não cubra ou bloqueie os orifícios de ventilação do seu frigorífico com nenhum tipo de material.
- Os dispositivos eléctricos só devem ser reparados por pessoas autorizadas. As reparações realizadas por pessoas incompetentes causam riscos ao utilizador.
- Em caso de qualquer falha quer durante uma manutenção ou num trabalho de reparação, desligue a alimentação eléctrica do seu frigorífico, desligando o fusível correspondente ou retirando a ficha da tomada.
- Não puxe pelo cabo quando for retirar a ficha da tomada.
- Coloque as bebidas com teor alcoólico mais elevado bem fechadas e na vertical.
- Nunca guarde latas de aerossol inflamáveis e substâncias explosivas no frigorífico.
- Não utilize dispositivos mecânicos ou outros para acelerar o processo de descongelação. Siga apenas as instruções recomendadas pelo fabricante.
- Este produto não se destina a ser usado por pessoas com incapacidades físicas, sensoriais ou mentais ou sem conhecimento ou experiência (incluindo crianças), a menos que sejam supervisionadas por alguém responsável pela sua segurança ou que as instrua sobre o uso do produto.

- Não utilize um frigorífico avariado. Consulte o agente autorizado se tiver qualquer questão.
- A segurança eléctrica do seu frigorífico apenas poderá ser garantida se o sistema de ligação à terra da sua casa estiver em conformidade com as normas.
- A exposição do produto à chuva, neve, sol e vento é perigosa no que toca à segurança eléctrica.
- Para evitar qualquer perigo, contacte o serviço autorizado se o cabo eléctrico estiver danificado.
- Nunca ligue o frigorífico à tomada de parede durante a instalação. Caso contrário, poderá ocorrer perigo de morte ou ferimentos graves.
- Este frigorífico foi concebido unicamente para guardar alimentos. Não deverá ser utilizado para quaisquer outros fins.
- A etiqueta das especificações técnicas está localizada na parede esquerda no interior do frigorífico.
- Nunca ligue o seu frigorífico a sistemas de poupança de electricidade, pois podem danificá-lo.
- Se o frigorífico possuir luz azul, não olhe para ela com dispositivos ópticos.
- Para frigoríficos controlados manualmente, aguarde pelo menos 5 minutos para voltar a ligá-lo após uma falha eléctrica.
- Este manual de instruções deverá ser entregue ao novo proprietário do produto quando for dado/vendido a outros.
- Evite causar danos ao cabo eléctrico quando transportar o frigorífico. Dobrar o cabo pode causar incêndio. Nunca pouse objectos pesados no cabo eléctrico.



- Não toque na ficha com as mãos molhadas quando a introduz na tomada para ligar o produto.

- Não ligue o frigorífico à tomada, se a tomada de parede estiver solta.
- Não deverá ser vaporizado directamente nas partes interiores ou interiores do produto devido a razões de segurança.
- Para evitar risco de incêndio e explosão, não vaporize substâncias que contenham gases inflamáveis, tais como gás propano, etc., próximo ao frigorífico.
- Não coloque recipientes que contenham água sobre o topo do frigorífico, visto que tal poderá resultar em choque eléctrico ou incêndio.
- Não sobrecarregue o frigorífico com excesso de alimentos. Se sobrecarregado, os alimentos podem cair e feri-lo a si e danificar o frigorífico ao abrir a porta. Nunca coloque objectos no topo do frigorífico, visto que estes podem cair quando se abre ou fecha a porta do frigorífico.
- Como precisam de um controlo de temperatura exacta, as vacinas, medicamentos sensíveis ao aquecimento, materiais científicos, etc., não deverão ser guardados no frigorífico.
- Se não for utilizado por um longo tempo, o frigorífico deve ser desligado da tomada. Qualquer problema possível no cabo eléctrico poderá resultar em incêndio.
- A extremidade da ficha eléctrica deverá ser limpa regularmente, caso contrário, poderá provocar incêndio.
- A extremidade da ficha eléctrica deverá ser limpa regularmente com um pano seco; caso contrário, poderá provocar incêndio.
- O frigorífico pode mover-se se os pés não estiverem devidamente fixados ao piso. O ajuste seguro e apropriado dos pés ao piso pode impedir o frigorífico se mova.
- Ao transportar o frigorífico, não segure pelo puxador da porta. Caso contrário, pode quebrar.
- Se posicionar o seu frigorífico próximo de outro frigorífico ou arca frigorífica, a distância entre os dispositivos deve ser de pelo menos 8 cm. Caso contrário, as paredes laterais adjacentes podem humedecer.

Para produtos com um dispensador de água;

A pressão da conduta de água deve ser de no mínimo 1 bar. A pressão da conduta de água deve ser de no máximo 8 bar.

- Use apenas água potável

Segurança com crianças

- Se a porta possuir uma fechadura, a chave deverá ser mantida afastada do alcance das crianças.
- As crianças devem ser vigiadas para impedir que brinquem com o produto.

Conformidade com a Directiva WEEE e Eliminação de Resíduos:



Este produto está em conformidade com a Directiva WEEE da UE (2012/19/EU). Este produto porta um símbolo de classificação para resíduos de equipamentos eléctricos e electrónicos (WEEE).

Este produto foi fabricado com materiais e peças de alta qualidade, que podem ser reutilizados e reciclados. No fim da sua vida útil, não elimine o resíduo com o lixo doméstico normal ou outro lixo. Leve-o a um centro de recolha para reciclagem de equipamentos eléctricos e eletrónicos. Consulte as autoridades locais para se informar sobre estes centros de recolha.

Cumprimento com a Directiva RoHS:

O produto que adquiriu está em conformidade com a Directiva RoHS da UE (2011/65/EU). Ele não contém materiais perigosos e proibidos especificados na Directiva.

Informação sobre a embalagem

Os materiais de embalagem do produto são fabricados a partir de materiais recicláveis, de acordo com as nossas Normas Ambientais Nacionais. Não elimine os materiais de embalagem junto com o lixo doméstico ou outro tipo de lixo. Encaminhe-os a um ponto de recolha de materiais de embalagem indicado pelas autoridades locais.

Aviso HCA

O sistema de arrefecimento do seu produto contém R600a:

Este gás é inflamável. Por isso, tenha cuidado em não danificar o sistema de arrefecimento e a tubagem durante o uso e transporte. No caso de algum dano, mantenha o seu produto longe de potenciais fontes de fogo que possam fazer com que o produto de incendeie e ventile o compartimento no qual a unidade está colocada.

Ignore este aviso se o sistema de arrefecimento do seu produto contiver R134a:

O tipo de gás usado no produto está indicado na placa de características localizada na parede esquerda no interior do frigorífico.

Nunca elimine o seu produto no fogo.

O que se pode fazer para economizar energia

- Não deixe as portas do seu frigorífico abertas durante muito tempo.
- Não coloque alimentos ou bebidas quentes no seu frigorífico.
- Não sobrecarregue o seu frigorífico para que a circulação do ar no interior não seja dificultada.
- Não instale o seu frigorífico sob a luz solar directa ou próximo de aparelhos que emitem calor tais como fornos, máquinas de lavar louça ou radiadores.
- Tenha cuidado em manter os seus alimentos em recipientes fechados.
- Para produtos com um compartimento de congelador; Pode armazenar uma quantidade máxima de alimentos no congelador se remover a prateleira ou gaveta do congelador. O valor do consumo de energia indicado no seu frigorífico foi determinado removendo a prateleira do congelador ou a gaveta e com carga máxima. Não existe qualquer risco em utilizar uma prateleira ou gaveta de acordo com as formas e tamanhos dos alimentos a serem congelados.
- Descongelar os alimentos congelados no compartimento do frigorífico poupará energia e preservará a qualidade dos alimentos.

3 Instalação

⚠ Por favor, lembre-se de que o fabricante não pode ser responsabilizado se não forem observadas as informações fornecidas no manual de instruções.

Pontos a serem considerados ao transportar novamente o seu frigorífico

1. O seu frigorífico deve ser esvaziado e limpo antes de ser transportado.
2. As prateleiras, acessórios, gaveta para frutas e legumes, etc. do seu frigorífico devem ser firmemente presos com fita adesiva, devido aos solavancos antes de voltar a empacotá-lo.
3. A embalagem deve ser amarrada com fitas grossas e cordas fortes e devem ser seguidas as normas de transporte indicadas na mesma.

Não se esqueça...

Todo material reciclado é uma fonte indispensável para a natureza e para os nossos recursos nacionais.

Se quiser contribuir para a reciclagem dos materiais da embalagem, pode obter mais informações nos organismos relativos ao ambiente ou junto das autoridades locais.

Antes de funcionar o seu frigorífico

Antes de iniciar a utilização do seu frigorífico, verifique o seguinte:

1. O interior do frigorífico está seco e o ar pode circular livremente na sua parte traseira?
2. Limpe o interior do frigorífico conforme recomendado na secção "Manutenção e limpeza".
3. Ligue o frigorífico à tomada eléctrica. A luz interior acender-se-á quando a porta do frigorífico for aberta.

4. Ouvirá um ruído quando o compressor começar a trabalhar. O líquido e os gases no interior do sistema de refrigeração também podem fazer algum ruído, mesmo que o compressor não esteja a funcionar, o que é perfeitamente normal.
5. As arestas da frente do frigorífico podem ficar quentes. Isto é normal. Estas arestas são projectadas para ficarem quentes, a fim de evitar a condensação.

Ligação eléctrica

Ligue o seu produto a uma tomada de terra, que esteja protegida por um fusível com a capacidade apropriada.

Importante:

- A ligação deve estar em concordância com os regulamentos nacionais.
- A ficha do cabo de alimentação deve estar facilmente acessível após a instalação.
- A voltagem especificada deve ser igual à sua voltagem eléctrica.
- **Não devem ser usados cabos de extensão e fichas multiusos para a ligação.**

⚠ Um cabo de alimentação danificado deve ser substituído por um electricista qualificado.

⚠ O produto não deve ser utilizado antes de ser reparado! Há risco de choque eléctrico!

Eliminação da embalagem

Os materiais de embalagem podem ser perigosos para as crianças. Guarde os materiais da embalagem fora do alcance das crianças ou elimine-os, classificando-os de acordo com as instruções sobre o lixo. Não os elimine juntamente com o lixo doméstico normal.

A embalagem do seu frigorífico é produzida com materiais recicláveis.


Eliminação do seu frigorífico velho

Elimine o seu frigorífico velho sem causar qualquer perigo ao meio ambiente.

- Pode consultar o seu revendedor autorizado ou o centro de recolha do lixo do seu município a respeito da eliminação do seu frigorífico.

Antes de se desfazer do seu frigorífico, corte a ficha eléctrica e, se houver trincos nas portas, deixe-os inutilizados, a fim de proteger as crianças contra qualquer perigo.

Colocação e instalação

 Se a porta de entrada do compartimento onde o frigorífico será instalado não for o suficientemente larga para que ele passe, chame o serviço de assistência autorizado para que possam remover as portas do seu frigorífico e passá-lo de forma inclinada através da porta.

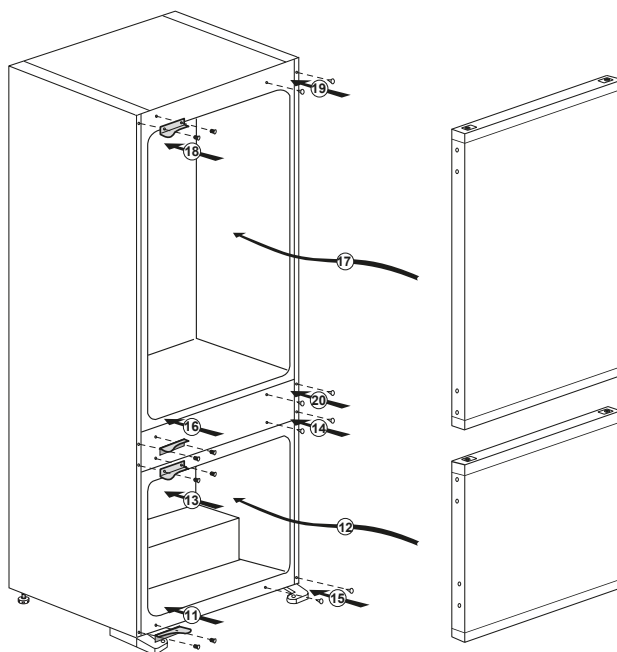
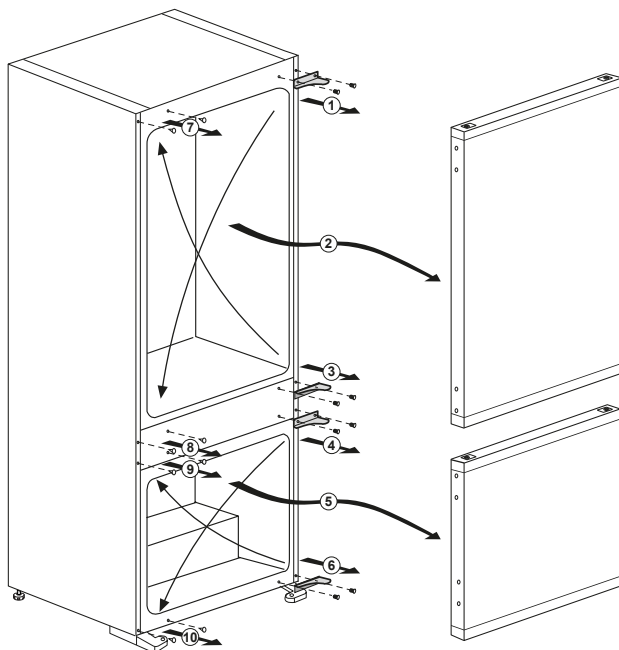
1. Instale o seu frigorífico num local que permita fácil acesso.
2. Mantenha o seu frigorífico longe das fontes de calor, lugares húmidos e luz solar directa.
3. Deve existir uma circulação de ar adequada à volta do seu frigorífico, para que obtenha um funcionamento eficiente. Se o frigorífico for colocado numa reentrância da parede, deve haver uma distância mínima de 5 cm do tecto e, pelo menos, 5 cm da parede. Se o piso for coberto por alcatifa, o seu produto deve ter uma elevação de 2,5 cm do chão.
4. Coloque o seu frigorífico num pavimento uniforme para evitar solavancos.
5. Não mantenha o seu frigorífico em temperaturas ambientes inferiores a 10°C.

Substituição da lâmpada interior

Para substituir a lâmpada utilizada para a iluminação do seu frigorífico, por favor chame o seu Serviço de Assistência Autorizada. A(s) lâmpada(s) usada(s) neste aparelho não é ou não são adequada(s) para a iluminação do espaço. A finalidade desta lâmpada é auxiliar utilizador a colocar produtos alimentares no frigorífico/congelador de uma forma confortável e segura. As lâmpadas usadas neste aparelho têm de suportar condições físicas extremas, tais como temperaturas abaixo de -20°C.

Inverter as portas

Proceda em ordem numérica.

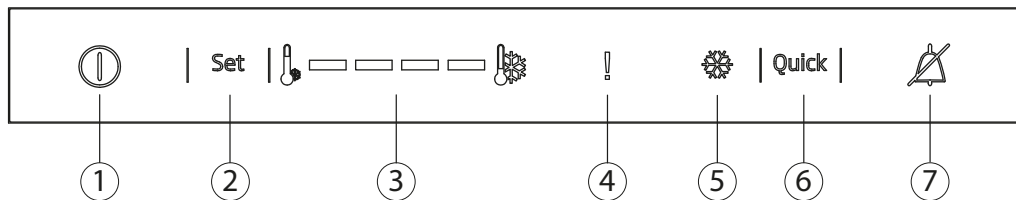


4 Preparação

- O seu frigorífico deverá ser instalado a uma distância mínima de 30 cm de quaisquer fontes de calor, tais como placas, fornos, aquecimento central e fogões e de 5 cm de fornos eléctricos e não deverá ficar exposto directamente à luz solar.
- A temperatura ambiente do compartimento onde está instalado o seu frigorífico não deve ser inferior a 10°C. Utilizar o seu frigorífico em condições de temperatura mais baixas não é recomendado em atenção à sua eficiência.
- Certifique-se de que o interior do seu frigorífico esteja completamente limpo.
- Se forem instalados dois frigoríficos lado a lado, deverá existir uma distância mínima de 2 cm entre eles.
- Quando utilizar o seu frigorífico pela primeira vez, por favor, observe as seguintes instruções durante as seis horas iniciais.
- A porta não deverá ser aberta frequentemente.
- Deve começar a funcionar vazio, sem alimentos no interior.
- Não retire a ficha da tomada do seu frigorífico. Se houver uma falha de energia inesperada, por favor, consulte os avisos na secção “Soluções recomendadas para os problemas”.
- A embalagem original e os materiais de esponja deverão ser guardados para transportes ou deslocações futuras.

5 Utilizar o seu frigorífico

Painel de controlo



1 - Função On/Off (Ligar/Desligar)

Prima o botão On/Off (Ligar/Desligar) durante 3 segundos para desligar ou ligar o frigorífico.

2 - Função de ajuste do frigorífico

Esta função permite-lhe fazer os ajustes de temperatura do compartimento do frigorífico.

Prima este botão para definir a temperatura do compartimento do frigorífico respectivamente para - (mais quente), --, ---, ----, ----- (mais frio).

3 - Indicador de definição da temperatura do compartimento do frigorífico

Indica a temperatura definida para o compartimento do frigorífico. As definições são - (mais quente), --, ---, ----, ----- (mais frio).

4 - Indicador de temperatura alta / aviso de erro

Esta luz acende durante falhas por temperatura alta e avisos de erro.

5 - Indicador "Quick Fridge" (Frigorífico rápido)

Este ícono se ilumina quando a função de refrigeração rápida está activa.

6 - Função "Quick Fridge" (Refrigeração rápida)

Ao premir o botão "Quick Fridge", a temperatura do compartimento ficará mais fria do que os valores ajustados.

Esta função pode ser usada para alimentos colocados no compartimento do frigorífico e que precisam de arrefecer rapidamente. Se quiser arrefecer grandes quantidades de alimentos frescos, é recomendado que active esta função antes de colocar os alimentos no frigorífico. O indicador de "Quick Fridge" permanecerá aceso enquanto a função Refrigeração rápida estiver activada. Para cancelar esta função, prima novamente o botão "Quick Fridge". O indicador "Quick Fridge" desligará e voltará às suas definições normais.

Se não a cancelar, a Refrigeração rápida cancelar-se-á automaticamente após 8 horas ou quando o compartimento do frigorífico atingir a temperatura pretendida.

Esta função não é reactivada quando a energia é restabelecida após alguma falha eléctrica.

7 - Alarme desligado

Quando a porta do frigorífico está aberta durante 2 minutos ou quando existe uma falha de sensor, é emitido um som de alarme. O alarme pode ser desligado premindo o botão "Alarm Off" (Alarme desligado).

O alarme de falha do sensor não emitirá qualquer som até que ocorra uma falha de energia. Se fechar a porta e a abrir novamente, o "Door open alarm" (Alarme de porta aberta) será de novo activado 2 minutos mais tarde.

HarvestFresh

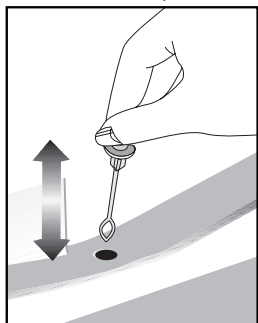
As frutas e legumes armazenados em compartimentos iluminados com a tecnologia HarvestFresh preservam suas vitaminas por mais tempo, graças aos ciclos de luz azul, verde, vermelha e escuro, que simulam um ciclo diurno. *Se abrir a porta do frigorífico durante o período escuro da tecnologia HarvestFresh, o frigorífico irá automaticamente detectar e ativar a luz azul, verde ou vermelha para iluminar o compartimento para a sua conveniência. Depois de fechar a porta do frigorífico, o período escuro continuará, representando a noite num ciclo diurno.*

Descongelação

A) Compartimento do refrigerador

O compartimento do frigorífico executa a descongelação totalmente automática. Podem ocorrer, no interior da parede posterior do compartimento do frigorífico, gotas de água e uma congelação até 7-8 mm enquanto o seu frigorífico arrefece. Tal formação é normal como resultado do sistema de arrefecimento. A formação de gelo é descongelada ao executar a descongelação automática a intervalos determinados, graças ao sistema de descongelação automática da parede posterior. Não é necessário ao utilizador raspar o gelo ou retirar as gotas de água. A água resultante da descongelação passa do sulco de recolha da água e corre para dentro do evaporador através do tubo de drenagem e evapora-se aqui por si mesma.

Verifique regularmente para ver se o tubo de descarga está entupido ou não e limpe-o com a vareta no orifício, quando necessário.



B) Compartimento do congelador

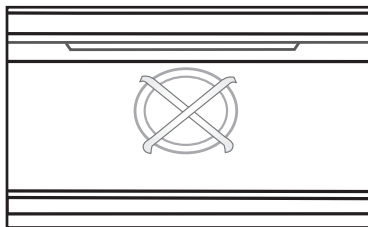
O compartimento do congelador descongela - se automaticamente.

Avisos!

As ventoinha dentro dos compartimento do congelador circulam o ar frio. Nunca introduza objectos através da protecção. Não permita que as crianças toquem na ventoinha do congelador. Nunca armazene produtos que contenham gás inflamável (por exemplo, latas de aerossóis, etc.) ou substâncias explosivas. Não cubra as prateleiras com materiais de protecção que possam obstruir a circulação de ar.

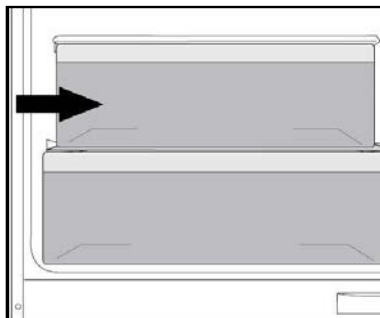
Não permita que as crianças brinquem com o frigorífico nem com os controlos.

Não obstrua as protecções da ventoinha para garantir que obtenha melhor desempenho do seu equipamento.



O compartimento de laticínios (armazenamento frio)

O compartimento de laticínios (armazenamento frio) fornece temperatura mais baixa no compartimento do frigorífico. Usar este compartimento para armazenamento de charcutaria (salame, salsichas, produtos lácteos e etc.) que necessitam de temperatura de armazenagem mais baixa, ou produtos de carne, frango ou peixe para consumo imediato. Não armazenar frutas e vegetais neste compartimento.



6 Manutenção e limpeza

- ⚠ Nunca use gasolina, benzeno ou substâncias semelhantes para a limpeza.
- ⚠ Recomendamos que desligue a ficha do equipamento da tomada antes da limpeza.
- ⚠ Nunca utilize na limpeza objectos abrasivos ou pontiagudos, sabões, produtos de limpeza doméstica, detergentes ou ceras abrillantadoras.
- ℹ Utilize água morna para limpar o exterior do seu frigorífico e seque-o com um pano.
- ℹ Utilize um pano humedecido numa solução composta por uma colher de chá de bicarbonato de soda dissolvido em cerca de meio litro de água para limpar o interior e depois seque-o.
- ⚠ Certifique-se de que não entra água no compartimento da lâmpada e nos outros itens eléctricos.
- ⚠ Se o seu frigorífico não for utilizado durante um longo período de tempo, remova o cabo de alimentação, retire todos os alimentos, limpe-o e deixe a porta entreaberta.
- ℹ Verifique regularmente as borrachas vedantes da porta, para se assegurar que elas estão limpas e sem restos de alimentos.
- ⚠ Para remover os suportes da porta, retire todo o seu conteúdo e, em seguida, basta empurrar cuidadosamente o seu suporte para cima a partir da base.
- ⚠ Nunca utilize agentes de limpeza ou água que contenha cloro para limpar as superfícies externas e as partes cromadas do produto. O cloro provoca a corrosão de tais superfícies metálicas.

Protecção das superfícies plásticas

- ℹ Não coloque óleos líquidos ou comidas cozinhadas no óleo no seu frigorífico em recipientes abertos, uma vez que podem danificar as superfícies plásticas do seu frigorífico. No caso de derrame ou salpico de óleo nas superfícies plásticas, limpe e enxágue a parte correspondente da superfície com água morna.

7 Soluções recomendadas para os problemas

Por favor, reveja esta lista antes de telefonar para a assistência. Com isso, pode poupar tempo e dinheiro. Esta lista abrange as reclamações frequentes resultantes de defeitos de fabricação ou utilização do material. Algumas das funções descritas aqui podem não existir no seu produto.

O frigorífico não funciona.

- O frigorífico tem a ficha eléctrica ligada correctamente à tomada? Introduza a ficha na tomada de parede.
- O fusível da tomada na qual o frigorífico está ligado ou o fusível principal não está queimado? Verifique o fusível.

Condensação na parede lateral do compartimento do refrigerador (MULTIZONE, COOL CONTROL e FLEXI ZONE).

- Condições ambientais muito frias. Abertura e fecho frequentes da porta. Condições ambientais de alta humidade. Armazenamento de alimentos que contém líquidos em recipientes abertos. A porta foi deixada entreaberta. Comute o termóstato para um grau mais frio.
- Diminua o número de vezes de abertura da porta ou utilize menos frequentemente.
- Cubra os alimentos guardados em recipientes abertos com um material apropriado.
- Limpe a condensação usando um pano seco e verifique, se persistir.

O compressor não está a funcionar.

- A protecção térmica do compressor deixará de funcionar durante falhas eléctricas repentinas ou na extração/colocação da ficha eléctrica, já que a pressão refrigerante no sistema de arrefecimento do frigorífico ainda não se encontra estabilizada. O seu frigorífico voltará a funcionar aproximadamente 6 minutos depois. Por favor, chame a assistência se o frigorífico não começar a operar no fim deste período.
- O refrigerador está no ciclo de descongelação. Isto é normal num frigorífico de descongelação totalmente automático. O ciclo de descongelação ocorre periodicamente.
- O seu frigorífico não está ligado à tomada. Certifique-se de que a ficha está correctamente ligada à tomada.
- A regulação da temperatura está feita correctamente?
- A corrente deve ser desligada.

O refrigerador está a funcionar frequentemente ou por um longo tempo.
<ul style="list-style-type: none"> • O seu novo produto pode ser mais largo do que o anterior. Esta situação é perfeitamente normal. Os frigoríficos grandes operam por um período maior de tempo. • A temperatura ambiente pode estar muito elevada. Esta situação é perfeitamente normal. • O frigorífico foi ligado à tomada há pouco tempo ou carregado com alimentos. O arrefecimento total do frigorífico pode demorar mais do que duas horas. • Podem ter sido colocadas recentemente grandes quantidades de alimentos quentes no frigorífico. Os alimentos quentes obrigam a um funcionamento mais vigoroso do frigorífico até que alcance a temperatura segura de armazenamento. • As portas podem estar a ser abertas frequentemente ou foram deixadas entreabertas por longo tempo. O ar quente que entrou no frigorífico faz com que o mesmo tenha que funcionar por períodos mais longos. Abra as portas com menos frequência. • A porta do compartimento do refrigerador ou do congelador pode ter sido deixada entreaberta. Verifique se as portas estão completamente fechadas. • O frigorífico está ajustado para uma temperatura muito baixa. Ajuste a temperatura do frigorífico para um grau mais quente e aguarde até que a temperatura seja atingida. • O vedante da porta do refrigerador ou do congelador pode estar sujo, gasto, roto ou não ajustado correctamente. Limpe ou substitua o vedante. O vedante danificado/roto faz com que o frigorífico funcione por um período de tempo maior para que mantenha a temperatura actual.
A temperatura do congelador está muito baixa, enquanto que a temperatura do refrigerador é suficiente.
<ul style="list-style-type: none"> • A temperatura do congelador está ajustada para uma temperatura muito baixa. Ajuste a temperatura do congelador para um grau mais quente e verifique.
A temperatura do refrigerador está muito baixa, enquanto que a temperatura do congelador é suficiente.
<ul style="list-style-type: none"> • A temperatura do refrigerador pode ter sido ajustada para uma temperatura muito baixa. Ajuste a temperatura do refrigerador para um grau mais quente e verifique.
Os alimentos guardados nas gavetas do compartimento do refrigerador estão congelados.
<ul style="list-style-type: none"> • A temperatura do refrigerador pode ter sido ajustada para uma temperatura muito baixa. Ajuste a temperatura do refrigerador para um grau mais quente e verifique.
A temperatura no refrigerador ou no congelador é muito alta.
<ul style="list-style-type: none"> • A temperatura do refrigerador pode ter sido ajustada para um grau muito alto. O ajuste do refrigerador tem efeito na temperatura do congelador. Altere a temperatura do refrigerador ou do congelador até que a temperatura do refrigerador ou do congelador atinja um nível suficiente. • As portas podem estar a ser abertas frequentemente ou foram deixadas entreabertas por longo tempo; abra-as menos frequentemente. • A porta poderá ter sido deixada entreaberta; feche-a completamente. • Podem ter sido colocadas recentemente grandes quantidades de alimentos quentes no frigorífico. Aguarde até que o refrigerador ou o congelador atinja a temperatura desejada. • O frigorífico pode ter sido ligado à tomada há pouco tempo. O total arrefecimento do frigorífico leva tempo.
O ruído de funcionamento aumenta quando o frigorífico está a funcionar.
<ul style="list-style-type: none"> • O desempenho de funcionamento do frigorífico pode variar devido às alterações na temperatura ambiente. Esta situação é normal e não é um problema.

Vibrações ou ruído.
<ul style="list-style-type: none"> • O piso não está nivelado ou não é resistente. O frigorífico balança quando deslocado lentamente. Certifique-se de que o piso é suficientemente forte para suportar o frigorífico, e nivelado. • O ruído pode ser causado pelos itens colocados sobre o frigorífico. Os itens sobre o topo do frigorífico devem ser removidos.
Há ruídos que surgem do frigorífico como líquidos a verter ou gotejar.
<ul style="list-style-type: none"> • Os fluxos de gás e líquidos acontecem conforme os princípios de funcionamento do seu frigorífico. Esta situação é normal e não é um problema.
Há um ruído parecido com o vento a soprar.
<ul style="list-style-type: none"> • As ventoinhas são utilizadas para arrefecer o frigorífico. Esta situação é normal e não é um problema.
Condensação nas paredes internas do frigorífico.
<ul style="list-style-type: none"> • O tempo quente e húmido aumenta a formação de gelo e de condensação. Esta situação é normal e não é um problema. • As portas poderão ter sido deixadas entreabertas; certifique-se que as mesmas estão completamente fechadas. • As portas podem estar a ser abertas frequentemente ou foram deixadas entreabertas por longo tempo; abra-as menos frequentemente.
Há ocorrência de humidade no exterior do frigorífico ou entre as portas.
<ul style="list-style-type: none"> • Poderá existir humidade no ar; isto é bastante normal no tempo húmido. Quando a humidade for menor, a condensação irá desaparecer.
Maus odores dentro do frigorífico.
<ul style="list-style-type: none"> • O interior do frigorífico deve ser limpo. Limpe o interior do frigorífico com uma esponja, água morna ou água com gás. • Alguns recipientes ou materiais de embalagem podem provocar cheiros. Utilize um recipiente diferente ou um material de embalagem de marca diferente.
A porta não está fechada.
<ul style="list-style-type: none"> • Os pacotes de alimentos podem impedir o fecho da porta. Coloque de outra forma as embalagens que estão a obstruir a porta. • O frigorífico não está completamente na vertical no pavimento e balanceia quando ligeiramente movido. Ajuste os parafusos de elevação. • O piso não é sólido ou não está nivelado. Certifique-se de que o piso está nivelado e capaz de suportar o frigorífico.
As gavetas para frutos e legumes estão bloqueadas.
<ul style="list-style-type: none"> • Os alimentos podem estar a tocar o tecto da gaveta. Arrume novamente os alimentos na gaveta.

Bitte lesen Sie zuerst diese Anleitung!

Lieber Kunde,

Wir sind sicher, dass Ihnen dieses Produkt, das in modernsten Fertigungsstätten hergestellt und den strengsten Qualitätsprüfungen unterzogen wurde, lange Zeit gute Dienste leisten wird.




Wir empfehlen Ihnen, vor Inbetriebnahme des Gerätes das gesamte Handbuch durchzulesen und es anschließend aufzubewahren.

Diese Anleitung...

- Hilft Ihnen, Ihr Gerät schnell und sicher zu bedienen.
- Lesen Sie die Anleitung, bevor Sie Ihr Gerät aufstellen und bedienen.
- Halten Sie sich an die Anweisungen, beachten Sie insbesondere die Sicherheitshinweise.
- Bewahren Sie die Anleitung an einem leicht zugänglichen Ort auf, damit Sie jederzeit darin nachschlagen können.
- Lesen Sie auch die weiteren Dokumente, die mit Ihrem Produkt geliefert wurden.
- Bitte beachten Sie, dass diese Anleitung eventuell auch für andere Geräte eingesetzt werden kann.

Symbole und ihre Bedeutung

In dieser Anleitung finden Sie die folgenden Symbole:

-  Wichtige Informationen oder nützliche Tipps.
-  Warnung vor Verletzungen oder Sachschäden.
-  Warnung vor elektrischem Strom.



WARNUNG!

Ihr Gerät verwendet ein umweltverträgliches Kältemittel, R600a (nur unter bestimmten Umständen brennbar). Um einen einwandfreien Betrieb Ihres Gerätes sicherzustellen, beachten Sie bitte folgende Vorschriften:

- Die Luftzirkulation um das Gerät darf nicht behindert sein.
- Verwenden Sie außer der vom Hersteller empfohlenen, keine mechanischen Hilfsmittel, um den Abtauprozess zu beschleunigen.
- Der Kältemittelkreislauf darf nicht beschädigt werden.
- Verwenden Sie im Lebensmittelaufbewahrungsbereich Ihres Gerätes keine elektrischen Geräte, es sei denn, sie sind vom Hersteller empfohlen.



ANGABEN



ENERGY



SUPPLIER'S NAME

MODEL IDENTIFIER (*)

A

A

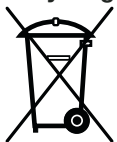
Die Modellinformationen, wie sie in der Produktdatenbank gespeichert sind, können durch Eingabe der folgenden Webseite und Suche nach Ihrer Modellkennung (*) auf dem Energieetikett erreicht werden.

<https://eprel.ec.europa.eu/>

INHALT

1 Ihr Kühlschrank	3	4 Vorbereitung	10
2 Wichtige Sicherheitshinweise	4	5 Nutzung des Kühlschranks	11
Bestimmungsgemäßer Einsatz.....	4	Bedienfeld.....	11
Allgemeine Hinweise zu Ihrer Sicherheit	4	HarvestFresh	12
Bei Geräten mit Wasserspender	6	Abtauen	12
Kinder – Sicherheit	6	Der Milchbehälter (Kühlagerung)	12
HCA-Warnung	6	6 Wartung und Reinigung	13
Tipps zum Energiesparen	6	Schutz der Kunststoffflächen.....	13
3 Installation	7	7 Problemlösung	14
Wenn Sie den Kühlschrank versetzen möchten:.....	7		
Vor dem Einschalten	7		
Elektrischer Anschluss	7		
Verpackungsmaterialien entsorgen	8		
Altgeräte entsorgen	8		
Aufstellung und Installation	8		
Austausch der Innenbeleuchtung.....	8		
Türanschlag umkehren.....	9		

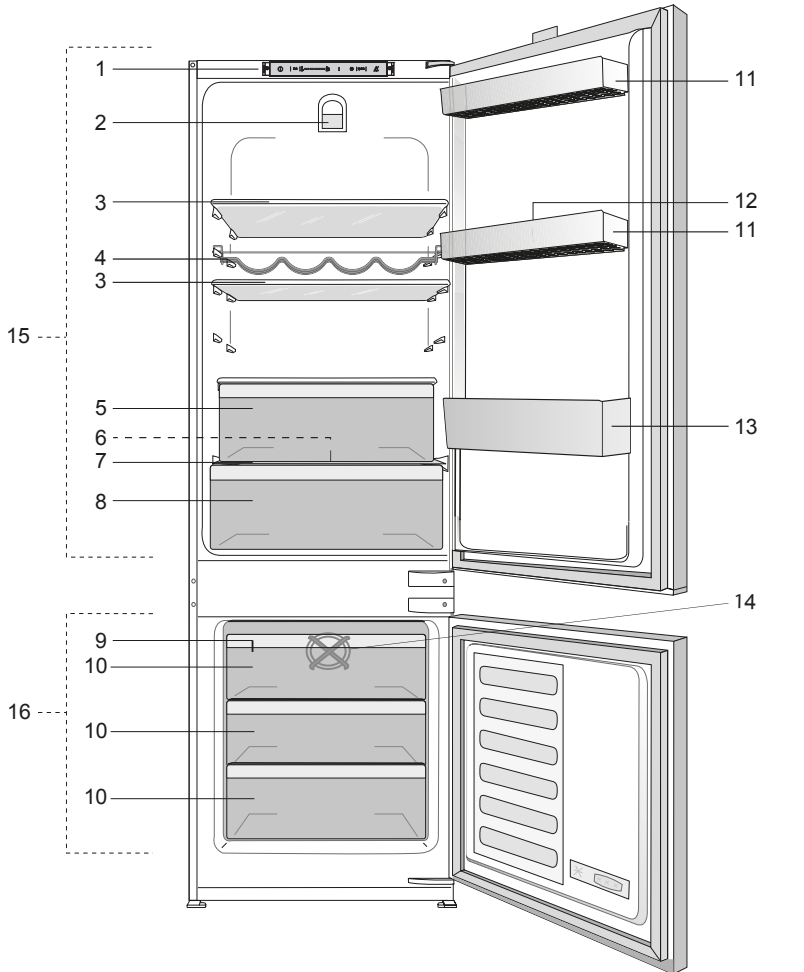
Recycling



Dieses Produkt ist mit dem selektiven Entsorgungssymbol für elektrische und elektronische Altgeräte (WEEE) gekennzeichnet. Das bedeutet, dass dieses Produkt gemäß der europäischen Richtlinie 2002/96/EC gehandhabt werden muss, um mit nur minimalen umweltspezifischen Auswirkungen recycelt oder zerlegt werden zu können. Weitere Informationen erhalten Sie von Ihren regionalen Behörden.

Elektronikprodukte, die nicht durch den selektiven Entsorgungsvorgang erfasst werden, stellen durch das Vorhandensein potenziell gefährlicher Substanzen umwelt- und gesundheitsrelevante Risiken dar.

1 Ihr Kühlschrank



- | | |
|--|-----------------------------|
| 1. Bedienungskonsole | 9. Eisschale |
| 2. Innenbeleuchtung | 10. Gefrierfach Schubladen |
| 3. Bewegbare Regale | 11. Verstellbare Türablagen |
| 4. Weinregal | 12. Eierhalter |
| 5. Milchbehälter | 13. Ablage für Flaschen |
| 6. Tauwassersammelkanal - abflusskanal | 14. Tiefkühl Lüfter |
| 7. Abdeckplatte für Gemüselade | 15. Kühlbereich |
| 8. Gemüselade | 16. Gefrierfach |

i Abbildungen und Angaben in dieser Anleitung sind schematisch und können etwas von Ihrem Produkt abweichen. Wenn die Teile nicht im gekauften Produkt enthalten sind, gelten sie für andere Modelle.

2 Wichtige Sicherheitshinweise

Bitte lesen sie die folgenden Hinweise aufmerksam durch. Bei Nichtbeachtung dieser Angaben kann es zu Verletzungen und Sachschäden kommen. In diesem Fall erlöschen auch sämtliche Garantie- und sonstigen Ansprüche.

Originalersatzteile stehen für einen Zeitraum von 10 Jahren ab Kaufdatum zur Verfügung.

Bestimmungsgemäßer Einsatz

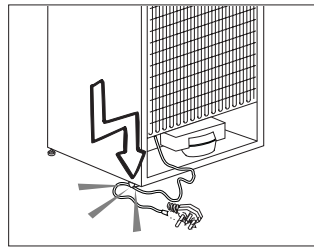
Dieses Produkt dient dem Einsatz in:

- Innenräumen und geschlossenen Bereichen, wie z. B. Haushalten;
- Das Gerät sollte nicht im Freien benutzt werden.

Allgemeine Hinweise zu Ihrer Sicherheit

- Wenn Sie das Gerät entsorgen möchten, wenden Sie sich am besten an den autorisierten Kundendienst. Hier erhalten Sie notwendige Informationen und erfahren, welche Stellen für die Entsorgung zuständig sind.
- Bei Problemen und Fragen zum Gerät wenden Sie sich grundsätzlich an den autorisierten Kundendienst. Ziehen Sie keine Dritten zu Rate, versuchen Sie nichts in Eigenregie, ohne den autorisierten Kundendienst davon in Kenntnis zu setzen.
- Bei Geräten mit Tiefkühlbereich: Der Verzehr von Speiseeis und Eiswürfeln unmittelbar nach der Entnahme aus dem Tiefkühlbereich ist nicht ratsam. (Dies kann zu Erfrierungen führen.)
- Bei Geräten mit Tiefkühlbereich: Bewahren Sie Getränke in Flaschen sowie Dosen niemals im Tiefkühlbereich auf. Diese platzen.
- Berühren Sie gefrorene Lebensmittel nicht mit der Hand; sie können festfrieren.
- Trennen Sie Ihren Kühlschrank vor dem Reinigen oder Abtauen vom Stromnetz.
- Verwenden Sie niemals Dampf- oder Sprühreiniger zum Reinigen und Abtauen Ihres Kühlschranks. Die Dämpfe oder Nebel können in Kontakt mit stromführenden Teilen geraten und Kurzschlüsse oder Stromschläge auslösen.
- Missbrauchen Sie niemals Teile Ihres Kühlschranks (z. B. Tür) als Befestigungen oder Kletterhilfen.
- Nutzen Sie keine elektrischen Geräte innerhalb des Kühlschranks.
- Achten Sie darauf, den Kühlkreislauf keinesfalls mit Bohr- oder Schneidwerkzeugen zu beschädigen. Das Kühlmittel kann herausspritzen, wenn die Gaskanäle des Verdunsters, Rohr- und Schlauchleitungen oder Oberflächenversiegelungen beschädigt werden. Dies kann zu Hautreizungen und Augenverletzungen führen.
- Decken Sie keinerlei Belüftungsöffnungen des Kühlschranks ab.
- Elektrische Geräte dürfen nur von autorisierten Fachkräften repariert werden. Reparaturen durch weniger kompetente Personen können erhebliche Gefährdungen des Anwenders verursachen.
- Sollten Fehler oder Probleme während der Wartung oder Reparaturarbeiten auftreten, so trennen Sie den Kühlschrank von der Stromversorgung, indem Sie die entsprechende Sicherung abschalten oder den Netzstecker ziehen.
- Ziehen Sie niemals am Netzkabel – ziehen Sie direkt am Stecker.
- Lagern Sie hochprozentige alkoholische Getränke gut verschlossen und aufrecht.
- Bewahren Sie niemals Sprühdosen mit brennbaren und explosiven Substanzen im Kühlschrank auf.

- Nutzen Sie keine mechanischen oder anderen Hilfsmittel, um das Gerät abzutauen – es sei denn, solche Hilfsmittel werden ausdrücklich vom Hersteller empfohlen.
- Dieses Produkt darf nicht von Personen (einschließlich Kindern) mit eingeschränkten physischen, sensorischen oder geistigen Fähigkeiten bedient werden, sofern sie nicht durch eine Person, die für ihre Sicherheit verantwortlich ist, in der Bedienung des Produktes angeleitet werden.
- Nehmen Sie einen beschädigten Kühlschrank nicht in Betrieb. Wenden Sie sich bei jeglichen Zweifeln an einen Kundendienstmitarbeiter.
- Die elektrische Sicherheit des Gerätes ist nur dann gewährleistet, wenn das hausinterne Erdungssystem den zutreffenden Normen entspricht.
- Setzen Sie das Gerät keinem Regen, Schnee, direktem Sonnenlicht oder Wind aus; dies kann die elektrische Sicherheit gefährden.
- Wenden Sie sich zur Vermeidung von Gefahren an den autorisierten Kundendienst, falls das Netzkabel beschädigt ist.
- Stecken Sie während der Installation niemals den Netzstecker ein. Andernfalls kann es zu schweren bis tödlichen Verletzungen kommen.
- Dieser Kühlschrank dient nur der Aufbewahrung von Lebensmitteln. Für andere Zwecke sollte er nicht verwendet werden.
- Das Etikett mit den technischen Daten befindet sich an der linken Innenwand des Kühlschranks.
- Schließen Sie Ihren Kühlschrank niemals an energiesparende Systeme an; dies kann den Kühlschrank beschädigen.
- Falls der Kühlschrank über ein blaues Licht verfügt, blicken Sie nicht mit optischen Werkzeugen in das blaue Licht.
- Bei manuell gesteuerten Kühlschränken warten Sie mindestens 5 Minuten, bevor Sie den Kühlschrank nach einem Stromausfall wieder einschalten.
- Falls Sie das Gerät an einen anderen Besitzer weitergeben, vergessen Sie nicht, die Bedienungsanleitung ebenfalls auszuhändigen.
- Achten Sie darauf, dass das Netzkabel beim Transport des Kühlschranks nicht beschädigt wird. Übermäßiges Biegen des Kabels birgt Brandgefahr. Platzieren Sie keine schweren Gegenstände auf dem Netzkabel.



- Berühren Sie den Netzstecker niemals mit feuchten oder gar nassen Händen.
- Schließen Sie den Kühlschrank nicht an lose Steckdosen an.
- Sprühen Sie aus Sicherheitsgründen niemals Wasser auf die Innen- und Außenflächen des Gerätes.
- Sprühen Sie keine Substanzen mit brennbaren Gasen, wie z. B. Propangas, in die Nähe des Kühlschranks; andernfalls bestehen Brand- und Explosionsgefahr.
- Stellen Sie keine mit Wasser gefüllten Gegenstände auf den Kühlschrank; dies birgt Brand- und Stromschlaggefahr.
- Überladen Sie das Gerät nicht mit Lebensmitteln. Wenn das Gerät überladen ist, können beim Öffnen der Kühlschranktür Lebensmittel herausfallen und Verletzungen verursachen.
- Stellen Sie keinesfalls Gegenstände auf den Kühlschrank; sie könnten beim Öffnen oder Schließen der Kühlschranktür herunterfallen.

- Materialien wie beispielsweise Impfstoffe, wärmeempfindliche Arznei, wissenschaftliche Proben usw. sollten nicht im Kühlschrank aufbewahrt werden, da sie bei exakt festgelegten Temperaturen gelagert werden müssen.
- Trennen Sie den Kühlschrank vom Stromnetz, wenn er längere Zeit nicht benutzt wird. Ein mögliches Problem im Netzkabel kann einen Brand auslösen.
- Die Steckerkontakte sollten regelmäßig mit einem trockenen Tuch gereinigt werden; andernfalls besteht Brandgefahr.
- Wenn die höhenverstellbaren Füße nicht sicher auf dem Boden stehen, kann sich der Kühlschrank bewegen. Die angemessene Sicherung der höhenverstellbaren Füße am Boden kann eine Bewegung des Kühlschranks verhindern.
- Halten Sie den Kühlschrank beim Tragen nicht am Türgriff. Andernfalls könnte er abbrechen.
- Wenn Sie Ihr Produkt neben einem anderen Kühl- oder Gefrierschrank aufstellen möchten, sollte der Abstand zwischen beiden Geräten mindestens 8 cm betragen. Andernfalls können die benachbarten Seitenwände feucht werden.

Bei Geräten mit Wasserspender

Der Wasserdruck sollte zwischen 1 und 8 bar liegen.

- Nur Trinkwasser verwenden.

Kinder – Sicherheit

- Bei abschließbaren Türen bewahren Sie den Schlüssel außerhalb der Reichweite von Kindern auf.
- Achten Sie darauf, dass Kinder nicht mit dem Produkt spielen.

HCA-Warnung

Falls das Kühlsystem Ihres Produktes R600a enthält:

Dieses Gas ist leicht entflammbar. Achten Sie also darauf, Kühlkreislauf und Leitungen während Betrieb und Transport nicht zu beschädigen.

Bei Beschädigungen halten Sie das Produkt von potenziellen Zündquellen (z. B. offenen Flammen) fern und sorgen für eine gute Belüftung des Raumes, in dem das Gerät aufgestellt wurde.

Ignorieren Sie diese Warnung, falls das Kühlsystem Ihres Produktes R134a enthält.

Die Art des im Gerät eingesetzten Gases wird auf dem Typenschild an der linken Innenwand des Kühlschranks angegeben. Entsorgen Sie das Produkt keinesfalls durch Verbrennen.

Tipps zum Energiesparen

- Halten Sie die Kühlschranktüren nur möglichst kurz geöffnet.
- Geben Sie keine warmen Speisen oder Getränke in den Kühlschrank.
- Überladen Sie den Kühlschrank nicht; die Luft muss frei zirkulieren können.
- Stellen Sie den Kühlschrank nicht im direkten Sonnenlicht oder in der Nähe von Wärmequellen wie Öfen, Spülmaschinen oder Heizkörpern auf. Halten Sie den Kühlschrank mindestens 30 cm von Wärmequellen und mindestens 5 cm von elektrischen Öfen entfernt.
- Achten Sie darauf, Ihre Lebensmittel in verschlossenen Behältern aufzubewahren.
- Bei Geräten mit Tiefkühlbereich: Sie können noch mehr Lebensmittel einlagern, wenn Sie die Ablage oder Schublade aus dem Tiefkühlbereich herausnehmen. Der für Ihren Kühlschrank angegebene Energieverbrauch wurde nach dem Entfernen der Ablage oder Schublade und bei maximaler Beladung bestimmt. Ansonsten ist es Ihnen freigestellt, die Ablage oder Schublade zu verwenden.
- Das Auftauen von gefrorenen Lebensmitteln im Kühlbereich ist energiesparend und bewahrt die Qualität der Lebensmittel.

3 Installation

⚠ Der Hersteller haftet nicht, falls die Angaben in dieser Anleitung nicht berücksichtigt werden.

Wenn Sie den Kühlschrank versetzen möchten:

1. Ziehen Sie zuvor den Netzstecker. Der Kühlschrank sollte geleert und gesäubert werden, bevor Sie ihn transportieren oder versetzen.
2. Sichern Sie die beweglichen Teile im Inneren (z. B. Ablagen, Zubehör, Gemüsefach etc.) vor dem Verpacken mit Klebeband, schützen Sie solche Teile vor Stößen. Umwickeln Sie die Verpackung mit kräftigem Klebeband oder stabilen Schnüren, beachten Sie die Transporthinweise auf der Verpackung.
3. Originalverpackung und Schaumstoffmaterialien sollten zum zukünftigen Transport des Gerätes aufbewahrt werden.

Vor dem Einschalten

Beachten Sie Folgendes, bevor Sie Ihren Kühlschrank benutzen:

1. Ist der Innenraum des Kühlschranks trocken, kann die Luft frei an der Rückseite zirkulieren?
2. Reinigen Sie das Innere des Kühlschranks wie im Abschnitt „Wartung und Reinigung“ beschrieben.
3. Schließen Sie den Netzstecker des Kühlschranks an eine Steckdose an. Beim Öffnen der Tür leuchtet die Innenbeleuchtung auf.

4. Beim Anspringen des Kompressors sind Geräusche zu hören. Die Flüssigkeiten und Gase im Kühlsystem können auch leichte Geräusche erzeugen, wenn der Kompressor nicht läuft. Dies ist völlig normal.
5. Die Vorderkanten des Kühlgerätes können sich warm anfühlen. Dies ist normal. Diese Bereiche wärmen sich etwas auf, damit sich kein Kondenswasser bildet.

Elektrischer Anschluss

Schließen Sie das Gerät an eine geerdete (Schuko-) Steckdose an. Diese Steckdose muss mit einer passenden Sicherung abgesichert werden.

Wichtig:

- Der Anschluss muss gemäß lokaler Vorschriften erfolgen.
- Der Netzstecker muss nach der Installation frei zugänglich bleiben.
- Die elektrische Sicherheit des Gerätes ist nur dann gewährleistet, wenn das hausinterne Erdungssystem den zutreffenden Normen entspricht.
- Die auf dem Typenschild an der linken Innenwand des Gerätes angegebene Spannung muss mit Ihrer Netzspannung übereinstimmen.
- **Zum Anschluss dürfen keine Verlängerungskabel oder Mehrfachsteckdosen verwendet werden.**

⚠ Ein beschädigtes Netzkabel muss unverzüglich durch einen qualifizierten Elektriker ausgetauscht werden.

⚠ Das Gerät darf vor Abschluss der Reparaturen nicht mehr betrieben werden! Es besteht Stromschlaggefahr!

Verpackungsmaterialien entsorgen

Das Verpackungsmaterial kann eine Gefahr für Kinder darstellen. Halten Sie Verpackungsmaterialien von Kindern fern oder entsorgen Sie das Verpackungsmaterial gemäß gültigen Entsorgungsbestimmungen. Entsorgen Sie das Verpackungsmaterial über geeignete Sammelstellen (Ihre Stadtverwaltung informiert Sie gerne), nicht über den regulären Hausmüll. Die Verpackung Ihres Gerätes wurde aus recyclingfähigen Materialien hergestellt.

Altgeräte entsorgen

Entsorgen Sie Altgeräte auf umweltfreundliche Weise.

- Bei Fragen zur richtigen Entsorgung wenden Sie sich bitte an Ihren Händler, an eine Sammelstelle oder an Ihre Stadtverwaltung.

Bevor Sie das Gerät entsorgen, schneiden Sie den Netzstecker ab und machen die Türverschlüsse (sofern vorhanden) unbrauchbar, damit Kinder nicht in Gefahr gebracht werden.

Aufstellung und Installation

⚠ Falls die Tür des Raumes, in dem der Kühlschrank aufgestellt werden soll, nicht breit genug ist, wenden Sie sich an den autorisierten Kundendienst, lassen die Kühlschranktüren demontieren und befördern das Gerät seitlich durch die Tür.

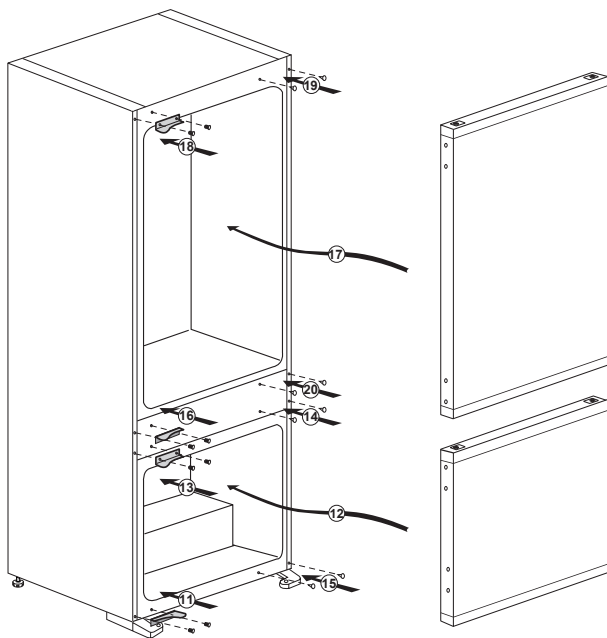
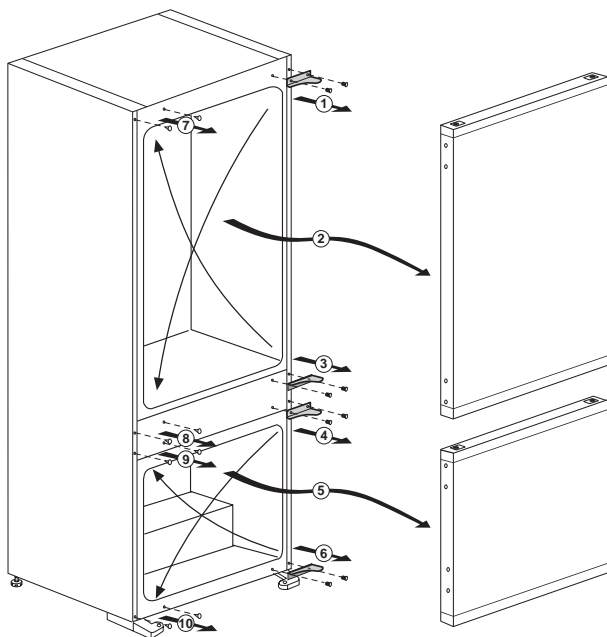
1. Stellen Sie Ihren Kühlschrank an einer gut erreichbaren Stelle auf.
2. Platzieren Sie den Kühlschrank nicht in der Nähe von Wärmequellen oder dort, wo er Feuchtigkeit oder direktem Sonnenlicht ausgesetzt ist.
3. Damit das Gerät richtig arbeiten kann, müssen Sie ausreichend Platz um das Gerät herum freilassen, damit eine ordentliche Belüftung gewährleistet ist. Wenn Sie den Kühlschrank in einer Nische aufstellen, müssen Sie einen Abstand von mindestens 5 cm zur Decke und 5 cm zu den Wänden einhalten. Stellen Sie das Gerät nicht auf Materialien wie Teppichen oder Teppichböden auf.
4. Stellen Sie Ihren Kühlschrank auf einem ebenen Untergrund auf, damit er nicht wackelt.
5. Stellen Sie den Kühlschrank nicht an Stellen auf, an denen Temperaturen von weniger als 10°C herrschen.

Austausch der Innenbeleuchtung

Die Innenbeleuchtung Ihres Kühlschranks sollte ausschließlich vom autorisierten Kundendienst ausgetauscht werden. Die Glühbirnen für dieses Haushaltsgerät sind für Beleuchtungszwecke nicht geeignet. Die beabsichtigte Aufgabe dieser Lampe ist es den Benutzer zu ermöglichen die Plazierung der Lebensmittel in den Kühlschrank / Eiskühltruhe sicher und bequem vorzunehmen. Die in diesem Gerät verwendeten Lampen müssen extremen physikalischen Bedingungen, wie z. B. Temperaturen von -20°C, standhalten.

Türanschlag umkehren

Gehen Sie der Reihe nach vor.

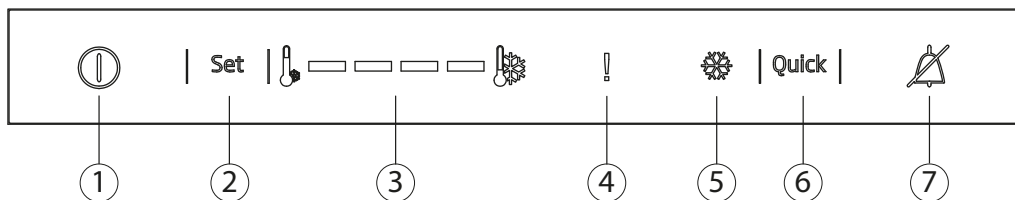


4 Vorbereitung

- Ihr Kühlschrank / Gefrierschrank sollte mindestens 30 cm von Hitzequellen wie Kochstellen, Öfen, Heizungen, Herden und ähnlichen Einrichtungen aufgestellt werden. Halten Sie mindestens 5 cm Abstand zu Elektroöfen ein, vermeiden Sie die Aufstellung im direkten Sonnenlicht.
- Die Zimmertemperatur des Raumes, in dem der Kühlschrank / Gefrierschrank aufgestellt wird, sollte mindestens 10°C betragen. Im Hinblick auf den Wirkungsgrad ist der Betrieb des Kühlschrank / Gefrierschranks bei geringerer Umgebungstemperatur nicht ratsam.
- Sorgen Sie dafür, dass das Innere Ihres Kühlschrank / Gefrierschranks gründlich gereinigt wird.
- Falls zwei Kühlschränke nebeneinander platziert werden sollen, achten Sie darauf, dass sie mindestens 2 cm voneinander entfernt aufgestellt werden.
- Wenn Sie den Kühlschrank / Gefrierschrank zum ersten Mal in Betrieb nehmen, halten Sie sich bitte an die folgenden Anweisungen für die ersten sechs Betriebsstunden.
- Die Kühlschrank / Gefrierschranktür sollte nicht zu häufig geöffnet werden.
- Der Kühlschrank / Gefrierschrank muss zunächst vollständig leer arbeiten.
- Ziehen Sie nicht den Netzstecker. Falls der Strom ausfallen sollte, beachten Sie die Warnhinweise im Abschnitt „Problemlösung“.
- Originalverpackung und Schaumstoffmaterialien sollten zum zukünftigen Transport des Gerätes aufbewahrt werden.

5 Nutzung des Kühlschranks

Bedienfeld



1- Ein/Aus-Funktion

Drücken Sie die Ein-/Austaste zum Ein- oder Ausschalten des Kühlschranks / Gefrierschranks 3 Sekunden.

2- Kühltemperatur einstellen

Mit dieser Funktion geben Sie die Temperatur des Kühlbereichs vor. Durch mehrmaliges Drücken dieser Taste stellen Sie die Kühlbereichstemperatur auf - (am wärmsten), --, ---, ----, ----- (am kältesten) ein.

3- Kühlbereich temperature instellungsanzeige

Zeigt die für den Kühlbereich eingestellte Temperatur an. Die Einstellungen sind - (am wärmsten), --, ---, ----, ----- (am kältesten).

4- Hochtemperatur- / Fehler-Warnanzeige

Diese Leuchte signalisiert zu hohe Innentemperaturen und sonstige Fehler.

5- Schnellkühlanzeige

Dieses Symbol leuchtet bei aktiver Schnellkühlen-Funktion auf.

6- Schnellkühlen

Wenn Sie die Schnellkühltaste drücken, wird die Innentemperatur über den voreingestellten Wert hinaus weiter abgesenkt.

Diese Funktion dient dazu, Lebensmittel, die im Kühlbereich aufbewahrt werden, schnell herunterzukühlen.

Wenn Sie große Mengen Lebensmittel kühlen möchten, sollten Sie diese Funktion vor dem Einlagern der Lebensmittel einschalten. Die Schnellkühlanzeige leuchtet bei aktiver Schnellkühlfunktion. Zum Abbrechen dieser Funktion drücken Sie die Schnellkühltaste noch einmal. Die Schnellkühlanzeige erlischt, die normalen Einstellungen werden wiederhergestellt.

Sofern Sie diese Funktion nicht vorzeitig abschalten, wird das Schnellkühlen beendet, sobald die nötige Temperatur erreicht ist. Nach 8 Stunden schaltet sich diese Funktion automatisch ab. Diese Funktion wird nach einem Stromausfall nicht automatisch wieder eingeschaltet.

7- Alarm aus

Wenn die Kühlschrank / Gefrierschranktür 2 Minuten geöffnet ist oder ein Sensorfehler vorliegt, ertönt ein akustischer Alarm. Der Alarm kann mit der „Alarm aus“-Taste abgeschaltet werden.

Der Sensorfehleralarm erklingt erst bei einem Stromversorgungsfehler. Wenn Sie die Tür schließen und wieder öffnen, wird der „Tür-offen-Alarm“ nach weiteren 2 Minuten erneut aktiviert.

HarvestFresh

Obst und Gemüse, im Gemüsefach gelagert werden, das mit der HarvestFresh-Technologie beleuchtet wird, bewahren ihren Vitamingehalt länger dank der blauen, grünen, roten Lichter und dunklen Zyklen, die einen Tageszyklus simulieren.

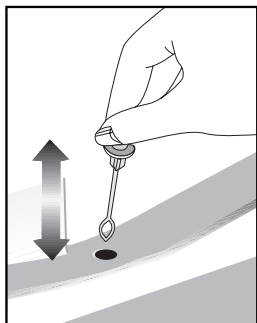
Wenn Sie die Kühlschranktür während der Dunkelumlauzeit der HarvestFresh-Technologie öffnen, erkennt der Kühlschrank dies automatisch und ermöglicht es dem blaugrünen oder roten Licht, das Gemüsefach für Ihre Bequemlichkeit zu beleuchten. Nachdem Sie die Kühlschranktür geschlossen haben, wird die Dunkelumlauzeit fortgesetzt, was die Nachtzeit in einem Tageszyklus darstellt.

Abtauen

A) Kühlbereich

Der Kühlbereich taut vollautomatisch ab. Im Betrieb können sich Wassertropfen und eine 7 – 8 mm starke Eisschicht an der Innenwand des Kühlbereiches absetzen. Dies ist vollkommen normal und ein Nebeneffekt des Kühlungssystems. Dank des automatischen Abtausystems an der Rückwand wird das Eis in bestimmten Abständen automatisch abgetaut. Weder Eis noch Wassertropfen müssen manuell entfernt werden. Beim Abtauen läuft das Tauwasser in die Ablaufrinne und fließt anschließend zum Verdampfer - hier verdunstet das Wasser automatisch.

Überzeugen Sie sich regelmäßig davon, dass der Ablauf nicht verstopft ist; beseitigen Sie eventuelle Verstopfungen mit dem Stäbchen.

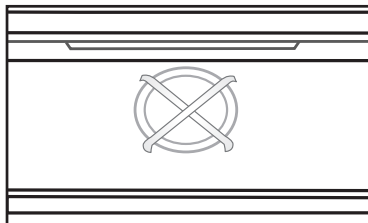


B) Gefrierfach

Der Tiefkühlbereich taut automatisch ab.

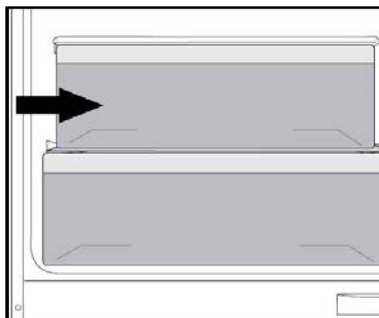
Warnung!

Der Lüfter sorgt für die Zirkulation kalter Luft innerhalb des Tiefkühlbereiches. Schieben Sie niemals irgendwelche Gegenstände durch die Schutzabdeckung. Lassen Sie nicht zu, dass Kinder mit dem Lüfter spielen. Lagern Sie niemals Behälter mit entflammbarem Treibgasen (z. B. Sahnespender, Spraydosen, usw.) oder explosiven Stoffen. Decken Sie niemals Ablagen mit Folien oder ähnlichen Materialien ab; dies behindert die Luftzirkulation. Gestatten Sie Kindern nicht, mit dem Gerät oder den Bedienelementen zu spielen. Verhindern Sie ein Blockieren des Gefrierbereichlüfters und seiner Abdeckung, damit Ihr Gerät stets optimal arbeiten kann.



Der Milchbehälter (Kühlagerung)

Der Milchbehälter (Kühlagerung) sorgt für eine niedrigere Temperatur im Kühlschrankfach. Verwenden Sie diesen Behälter, um Delikatessen (Salami, Würstchen, Milchprodukte usw.) aufzubewahren, die eine niedrigere Lagertemperatur erfordern, oder Fleisch-, Hühner- oder Fischprodukte für den sofortigen Verzehr. Bewahren Sie kein Obst und Gemüse in diesem Behälter auf.



6 **Wartung und Reinigung**

- ⚠ Verwenden Sie zu Reinigungszwecken niemals Benzin oder ähnliche Substanzen.
- ⚠ Wir empfehlen, vor dem Reinigen den Netzstecker zu ziehen.
- ℹ Verwenden Sie zur Reinigung niemals scharfe Gegenstände, Seife, Haushaltsreiniger, Waschmittel oder Wachspolituren.
- ℹ Reinigen Sie das Gehäuse des Gerätes mit lauwarmem Wasser, wischen Sie die Flächen danach trocken.
- ⚠ Zur Reinigung des Innenraums verwenden Sie ein feuchtes Tuch, das Sie in eine Lösung aus 1 Teelöffel Natron und einem halben Liter Wasser getaucht und ausgewrungen haben. Nach dem Reinigen wischen Sie den Innenraum trocken.
- ⚠ Achten Sie darauf, dass kein Wasser in das Lampengehäuse oder andere elektrische Komponenten eindringt.
- ⚠ Wenn Ihr Kühlgerät längere Zeit nicht benutzt wird, ziehen Sie den Netzstecker, nehmen alle Lebensmittel heraus, reinigen das Gerät und lassen die Türe geöffnet.
- ℹ Kontrollieren Sie die Türdichtungen regelmäßig, um sicherzustellen, dass diese sauber und frei von Speiseresten sind.
- ℹ Zum Entfernen einer Türablage räumen Sie sämtliche Gegenständen aus der Ablage und schieben diese dann nach oben heraus.

- ℹ Verwenden Sie zur Reinigung der Außenflächen und Chrombeschichteten Produktteile niemals Reinigungsmittel oder Wasser, die/das Chlor enthält. Chlor lässt Metalloberflächen korrodieren.

Schutz der Kunststoffflächen

- ℹ Geben Sie keine Öle oder stark fetthaltige Speisen offen in Ihren Kühlschrank / Gefrierschrank – dadurch können die Kunststoffflächen angegriffen werden. Sollten die Plastikoberflächen einmal mit Öl in Berührung kommen, so reinigen Sie die entsprechenden Stellen umgehend mit warmem Wasser.

7 Problemlösung

Bitte arbeiten Sie diese Liste durch, bevor Sie sich an den Kundendienst wenden. Dies kann Ihnen Zeit und Geld sparen. In der Liste finden Sie häufiger auftretende Probleme, die nicht auf Verarbeitungs- oder Materialfehler zurückzuführen sind. Nicht alle hier beschriebenen Funktionen sind bei jedem Modell verfügbar.

Der Kühlschrank arbeitet nicht.

- Der Netzstecker ist nicht richtig eingesteckt. >>> Stecken Sie den Netzstecker bis zum Anschlag in die Steckdose.
- Die entsprechende Haussicherung ist herausgesprungen oder durchgebrannt. >>> Überprüfen Sie die Sicherung.

Kondensation an den Seitenwänden des Kühlbereiches (Multizone, Kühlkontrolle und FlexiZone).

- Die Umgebungsluft ist zu kalt. >>> Stellen Sie den Kühlschrank nicht an Orten mit Temperaturen unter 10°C auf.
- Die Tür wurde häufig geöffnet. >>> Verzichten Sie auf häufiges Öffnen der Kühlschranktür.
- Die Luftfeuchtigkeit in der Umgebung ist zu hoch. >>> Stellen Sie Ihren Kühlschrank nicht an Orten mit hoher Luftfeuchtigkeit auf.
- Lebensmittel mit hohem Flüssigkeitsanteil werden in offenen Behältern aufbewahrt. >>> Bewahren Sie Lebensmittel mit hohem Flüssigkeitsanteil nicht in offenen Behältern auf.
- Die Kühlschranktür steht offen. >>> Schließen Sie die Kühlschranktür.
- Das Thermostat ist auf eine sehr geringe Temperatur eingestellt. >>> Stellen Sie das Thermostat entsprechend nach.

Der Kompressor läuft nicht.

- Eine Schutzschaltung stoppt den Kompressor bei kurzzeitigen Unterbrechungen der Stromversorgung und wenn das Gerät zu oft und schnell ein- und ausgeschaltet wird, da der Druck des Kühlmittels eine Weile lang ausgeglichen werden muss. Der Kühlschrank beginnt nach etwa sechs Minuten wieder zu arbeiten. Bitte wenden Sie sich an den Kundendienst, falls Ihr Kühlschrank nach Ablauf dieser Zeit nicht wieder zu arbeiten beginnt.
- Der Kühlschrank taut ab. >>> Dies ist bei einem vollautomatisch abtauenden Kühlschrank völlig normal. Das Gerät taut von Zeit zu Zeit ab.
- Der Netzstecker ist nicht eingesteckt. >>> Überprüfen Sie, ob der Netzstecker richtig eingesteckt wurde.
- Die Temperatur ist nicht richtig eingestellt. >>> Wählen Sie eine geeignete Temperatur.
- Der Strom ist ausgefallen. >>> Sobald die Stromversorgung wiederhergestellt ist, nimmt der Kühlschrank den Betrieb wieder auf.

Das Betriebsgeräusch nimmt zu, wenn der Kühlschrank arbeitet.

- Das Leistungsverhalten des Kühlgerätes kann sich je nach Umgebungstemperatur ändern. Dies ist völlig normal und keine Fehlfunktion.

Der Kühlschrank arbeitet sehr intensiv oder über eine sehr lange Zeit.

- Ihr neues Gerät ist vielleicht etwas breiter als sein Vorgänger. Große Kühlgeräte arbeiten oft etwas länger.
- Die Umgebungstemperatur ist eventuell sehr hoch. >>> Bei hohen Umgebungstemperaturen arbeitet das Gerät etwas länger.
- Der Kühlschrank wurde möglicherweise erst vor Kurzem in Betrieb genommen oder mit Lebensmitteln gefüllt. >>> Wenn der Kühlschrank erst vor Kurzem in Betrieb genommen oder mit Lebensmitteln gefüllt wurde, dauert es einige Zeit, bis er die eingestellte Temperatur erreicht. Dies ist normal.
- Kurz zuvor wurden größere Mengen warmer Speisen in den Kühlschrank gestellt. >>> Geben Sie keine warmen oder gar heißen Speisen in den Kühlschrank.
- Die Türen wurden häufig geöffnet oder längere Zeit nicht richtig geschlossen. >>> Der Kühlschrank muss länger arbeiten, weil warme Luft in den Innenraum eingedrungen ist. Verzichten Sie auf häufiges Öffnen der Türen.
- Die Türen des Kühl- oder Tiefkühlbereiches wurden nicht richtig geschlossen. >>> Vergewissern Sie sich, dass die Türen richtig geschlossen wurden.
- Die Kühlschranktemperatur ist sehr niedrig eingestellt. >>> Stellen Sie die Kühlschranktemperatur höher ein. Warten Sie dann ab, bis die gewünschte Temperatur erreicht ist.
- Die Türdichtungen von Kühl- oder Gefrierbereich sind verschmutzt, verschlissen, beschädigt oder sitzen nicht richtig. >>> Reinigen oder ersetzen Sie die Dichtung. Beschädigte oder defekte Dichtungen führen dazu, dass der Kühlschrank länger arbeiten muss, um die Temperatur halten zu können.

Die Temperatur im Tiefkühlbereich ist sehr niedrig, während die Temperatur im Kühlbereich normal ist.

- Die Tiefkühltemperatur ist sehr niedrig eingestellt. >>> Stellen Sie die Tiefkühltemperatur wärmer ein, prüfen Sie die Temperatur nach einer Weile.

Die Temperatur im Kühlbereich ist sehr niedrig, während die Temperatur im Tiefkühlbereich normal ist.

- Die Kühltemperatur ist sehr niedrig eingestellt. >>> Stellen Sie die Kühlbereichtemperatur wärmer ein, prüfen Sie die Temperatur nach einer Weile.

Im Kühlbereich gelagerte Lebensmittel frieren ein.

- Die Kühltemperatur ist sehr niedrig eingestellt. >>> Wählen Sie eine höhere Kühlbereichtemperatur, prüfen Sie die Temperatur nach einer Weile.

Die Temperatur im Kühl- oder Tiefkühlbereich ist sehr hoch.

- Die Kühltemperatur ist sehr hoch eingestellt. >>> Die Kühlbereichtemperatur wirkt sich auf die Temperatur des Tiefkühlbereichs aus. Ändern Sie die Temperatur des Kühl- oder Tiefkühlbereichs und warten Sie, bis die entsprechenden Fächer eine geeignete Temperatur erreicht haben.
- Türen wurden häufig geöffnet oder längere Zeit nicht richtig geschlossen. >>> Verzichten Sie auf häufiges Öffnen der Türen.
- Die Tür steht offen. >>> Schließen Sie die Tür komplett.
- Der Kühlschrank wurde möglicherweise erst vor Kurzem in Betrieb genommen oder mit Lebensmitteln gefüllt. >>> Dies ist normal. Wenn der Kühlschrank erst vor Kurzem in Betrieb genommen oder mit Lebensmitteln gefüllt wurde, dauert es einige Zeit, bis er die eingestellte Temperatur erreicht.
- Kurz zuvor wurden größere Mengen warmer Speisen in den Kühlschrank gestellt. >>> Geben Sie keine warmen oder gar heißen Speisen in den Kühlschrank.

Vibrationen oder Betriebsgeräusche.

- Der Boden ist nicht eben oder nicht stabil genug. >>> Falls der Kühlschrank bei leichten Bewegungen wackelt, gleichen Sie ihn mit Hilfe seiner Füße aus. Achten Sie außerdem darauf, dass der Boden eben ist und das Gewicht des Kühlschranks problemlos tragen kann.
- Gegenstände, die auf dem Kühlschrank abgestellt wurden, können Geräusche verursachen. >>> Nehmen Sie die Gegenstände vom Kühlschrank.

Fließ- oder Spritzgeräusche sind zu hören.

- Aus technischen Gründen bewegen sich Flüssigkeiten und Gase innerhalb des Gerätes. Dies ist völlig normal und keine Fehlfunktion.

Der Kühlschrank pfeift.

- Zum gleichmäßigen Kühlen werden Ventilatoren eingesetzt. Dies ist völlig normal und keine Fehlfunktion.

Kondensation an den Kühlschrankinnenflächen.

- Bei heißen und feuchten Wetterlagen treten verstärkt Eisbildung und Kondensation auf. Dies ist völlig normal und keine Fehlfunktion.
- Türen wurden häufig geöffnet oder längere Zeit nicht richtig geschlossen. >>> Verzichten Sie auf häufiges Öffnen der Türen. Schließen Sie geöffnete Türen.
- Die Tür steht offen. >>> Schließen Sie die Tür komplett.

Feuchtigkeit sammelt sich an der Außenseite des Kühlschranks oder an den Türen.

- Eventuell herrscht hohe Luftfeuchtigkeit; dies ist je nach Wetterlage völlig normal. Die Kondensation verschwindet, sobald die Feuchtigkeit abnimmt.

Unangenehmer Geruch im Kühlschrank.

- Der Kühlschrank wurde nicht regelmäßig gereinigt. >>> Reinigen Sie das Innere des Kühlschranks regelmäßig mit einem Schwamm, den Sie mit lauwarmem Wasser oder einer Natron-Wasser-Lösung angefeuchtet haben.
- Bestimmte Behälter oder Verpackungsmaterialien verursachen den Geruch. >>> Verwenden Sie andere Behälter oder Verpackungsmaterial einer anderen Marke.
- Lebensmittel wurden in offenen Behältern in den Kühlschrank gegeben. >>> Lagern Sie Lebensmittel in geschlossenen Behältern. Mikroorganismen, die aus unverschlossenen Behältern entweichen, können üble Gerüche verursachen.
- Nehmen Sie Lebensmittel mit abgelaufenem Mindesthaltbarkeitsdatum sowie verdorbene Lebensmittel aus dem Kühlschrank.

Die Tür lässt sich nicht schließen.

- Lebensmittelpackungen verhindern ein vollständiges Schließen der Tür. >>> Entfernen Sie die Verpackungen, welche die Tür blockieren.
- Der Kühlschrank steht nicht vollständig eben auf dem Boden. >>> Gleichen Sie den Kühlschrank mit Hilfe der Füße aus.
- Der Boden ist nicht eben oder nicht stabil genug. >>> Achten Sie darauf, dass der Boden eben ist und das Gewicht des Kühlschranks problemlos tragen kann.

Das Gemüsefach klemmt.

- Lebensmittel berühren eventuell den oberen Teil der Schublade. >>> Ordnen Sie die Lebensmittel in der Schublade anders an.

Veillez d'abord lire la notice d'utilisation !

Chère cliente, cher client,

Nous espérons que votre produit, qui a été fabriqué dans des usines modernes et vérifié au terme des procédures de contrôle de qualité les plus méticuleuses, vous aidera efficacement.

Pour cette raison, nous vous conseillons de lire attentivement tout le manuel d'utilisation de votre produit avant de vous en servir, et de le conserver ensuite pour une utilisation ultérieure.

Le présent manuel

- Vous aidera à utiliser votre produit avec rapidité et sécurité.
- Lisez le manuel avant d'installer et de faire fonctionner votre produit.
- Respectez les instructions, notamment celles relatives à la sécurité.
- Conservez ce manuel dans un endroit facilement accessible car vous pouvez en avoir besoin ultérieurement.
- En plus, lisez également les autres documents fournis avec votre produit.
- Veuillez noter que ce manuel peut également être valide pour d'autres modèles.

Symboles et descriptions

Vous retrouverez les symboles suivants dans le présent manuel:

 Informations importantes ou astuces.

 Avertissement relatif aux conditions dangereuses pour la vie et la propriété.

 Avertissement relatif à la tension électrique.



ATTENTION!

Pour assurer un fonctionnement normal de votre appareil qui utilise un agent frigorigère écologique, R600a (inflammable seulement sous certaines conditions) vous devez respecter les règles suivantes:

- N'empêchez pas la libre circulation de l'air autour de l'appareil.
- N'utilisez pas des dispositifs mécaniques pour accélérer le dégivrage, autres que ceux recommandés par le fabricant.
- Ne détruisez pas le circuit frigorigère.
- N'utilisez pas des appareils électriques à l'intérieur du compartiment pour conserver les aliments, hormis celles qui sont éventuellement recommandés par le fabricant.

INFORMATIONS



ENERGY



SUPPLIER'S NAME

MODEL IDENTIFIER

(*)

A

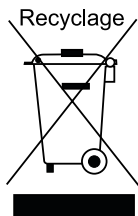
A

Vous pouvez accéder aux informations relatives au modèle telles que sauvegardées dans la base de données des produits en entrant le site internet suivant et en recherchant l'identifiant de votre modèle (*) qui se trouve sur la vignette énergie

<https://eprel.ec.europa.eu/>

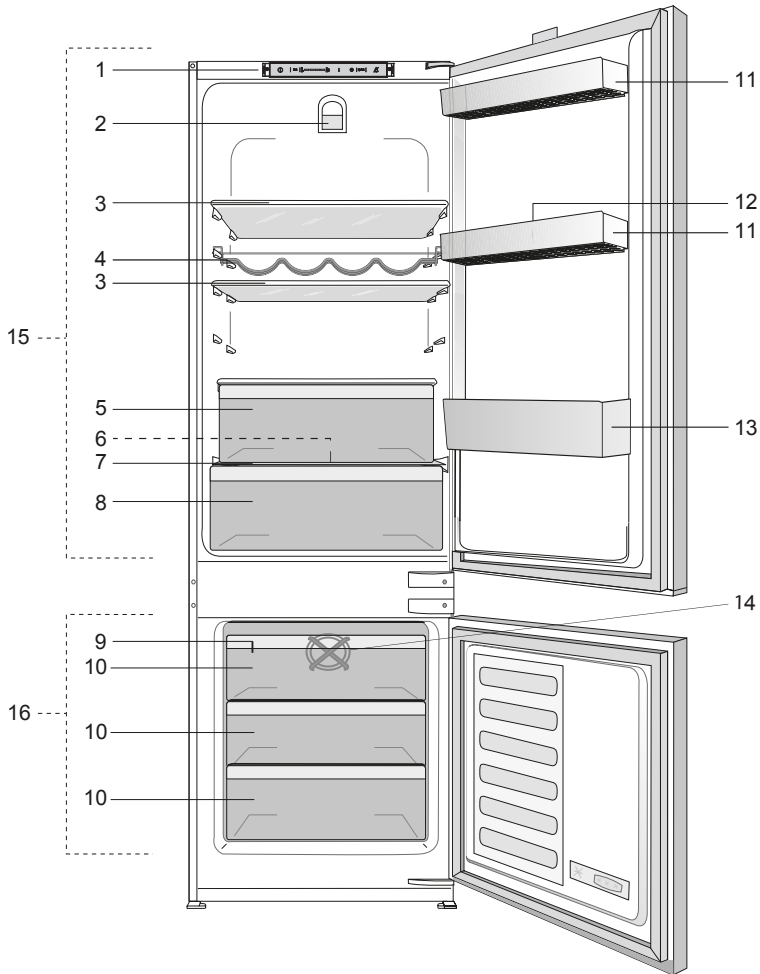
TABLE DES MATIÈRES

1 Votre réfrigérateur	3	4 Préparation	10
2 Précautions de sécurité importantes	4	5 Utilisation du réfrigérateur	11
Utilisation préconisée.....	4	Touches de Contrôle.....	11
Sécurité générale.....	4	HarvestFresh	12
Pour les appareils dotés d'une fontaine à eau	6	Décongélation	12
Sécurité enfants.....	6	Le compartiment des produits laitiers (entrepôt frigorifique)	12
Avertissement sur l'usage des fluides frigorigènes	6	6 Entretien et nettoyage	13
Mesures d'économie d'énergie.....	6	Protection des surfaces en plastique	13
3 Installation	7	7 Solutions recommandées aux problèmes	14
Éléments à prendre en considération lors du déménagement de votre réfrigérateur	7		
Avant de mettre votre réfrigérateur en marche,	7		
Branchement électrique.....	7		
Mise au rebut de l'emballage	8		
Mise au rebut de votre ancien réfrigérateur	8		
Disposition et Installation	8		
Remplacement de l'ampoule intérieure	8		
Réversibilité des portes.....	9		



Ce produit est marqué du symbole du tri sélectif, relatif aux déchets d'équipements électriques et électroniques. Cela signifie que ce produit doit être pris en charge par un système de collecte sélectif conformément à la directive européenne 2002/96/CE, afin de pouvoir être recyclé ou démantelé dans le but de réduire tout impact sur l'environnement. Attention les produits électroniques n'ayant pas fait l'objet d'un tri sélectif sont potentiellement dangereux pour l'environnement et la santé humaine en raison de la présence potentielle de substances dangereuses.

1 Votre réfrigérateur



- | | |
|---|----------------------------------|
| 1. Bandeau de commande | 10. Compartiments de congélation |
| 2. Éclairage intérieur | 11. Balconnets réglables |
| 3. Clayettes en verre | 12. Boîte à œufs |
| 4. Clayette support bouteille | 13. Balconnet range-bouteilles |
| 5. Compartiment des produits laitiers | 14. Ventilateur du congélateur |
| 6. Canal collecteur de l'eau de dégivrage | 15. Compartiment réfrigérateur |
| 7. Couvercle du bac à légumes | 16. Compartiment congélateur |
| 8. Bac à légumes | |
| 9. Bac à glaçons et support | |

ⓘ Les illustrations présentées dans cette notice d'utilisation sont schématiques et peuvent ne pas correspondre exactement à votre produit. Si des pièces présentées ne sont pas comprises dans le produit que vous avez acheté, elles sont valables pour d'autres modèles.

2 Précautions de sécurité importantes

Veillez examiner les informations suivantes: Le non respect de ces consignes peut entraîner des blessures ou dommages matériels. Sinon, tout engagement lié à la garantie et à la fiabilité du produit devient invalide.

Les pièces détachées d'origine sont disponibles pendant 10 ans, à compter de la date d'achat du produit.

Utilisation préconisée

Ce produit est prévu pour une utilisation:

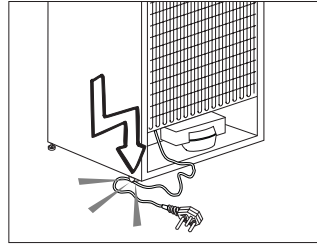
- en intérieur et dans des zones fermées telles que les maisons;
- dans les environnements de travail fermés, tels que les magasins et les bureaux;
- dans les lieux d'hébergement fermés, tels que les fermes, hôtels, pensions.
- Il ne doit pas être utilisé en extérieur.

Sécurité générale

- Avant de vous débarrasser de votre appareil, veuillez consulter les autorités locales ou votre revendeur pour connaître le mode opératoire et les organismes de collecte agréés.
- Consultez le service après-vente agréé concernant toutes questions ou problèmes relatifs au réfrigérateur. N'intervenez pas ou ne laissez personne intervenir sur le réfrigérateur sans le communiquer au service après-vente agréé.
- Pour les produits équipés d'un compartiment congélateur: ne mangez pas de cônes de crème glacée ou des glaçons immédiatement après les avoir sortis du compartiment de congélation ! (Cela pourrait provoquer des engelures dans votre bouche).

- Pour les produits équipés d'un compartiment congélateur: ne placez pas de boissons en bouteille ou en cannette dans le compartiment de congélation. Cela peut entraîner leur éclatement.
- Ne touchez pas des produits congelés avec les mains, ils pourraient se coller à celles-ci.
- Débranchez votre réfrigérateur avant de le nettoyer ou de le dégivrer.
- La vapeur et des matériaux de nettoyage pulvérisés ne doivent jamais être utilisés pour les processus de nettoyage ou de dégivrage de votre réfrigérateur. La vapeur pourrait pénétrer dans les pièces électriques et provoquer des courts-circuits ou des électrocutions.
- Ne jamais utiliser les pièces de votre réfrigérateur telles que la porte, comme un support ou une marche.
- N'utilisez pas d'appareils électriques à l'intérieur du réfrigérateur.
- N'endommagez pas les pièces où circule le liquide réfrigérant avec des outils de forage ou coupants. Le liquide réfrigérant qui pourrait s'échapper si les canalisations de gaz de l'évaporateur, les rallonges de tuyau ou les revêtements de surface étaient percés, peut irriter la peau et provoquer des blessures aux yeux.
- Ne pas couvrir ou obstruer les orifices de ventilation du réfrigérateur.
- Les appareils électriques peuvent être réparés seulement par des personnes autorisées. Les réparations réalisées par des personnes ne présentant pas les compétences requises peuvent présenter un risque pour l'utilisateur.
- En cas de dysfonctionnement ou lors d'opérations d'entretien ou de réparation, débranchez l'alimentation électrique du réfrigérateur soit en désactivant le fusible correspondant, soit en débranchant l'appareil.

- Ne tirez pas sur le câble lorsque vous débranchez la prise.
- Placez les boissons alcoolisées verticalement, dans des récipients convenablement fermés.
- Ne conservez jamais des aérosols contenant des substances inflammables et explosives dans le réfrigérateur.
- N'utilisez pas d'outils mécaniques ou autres dispositifs pour accélérer le processus de décongélation autres que ceux qui sont recommandés par le fabricant.
- Ce produit n'est pas conçu pour être utilisé par des personnes (enfants compris) souffrant de déficience physique, sensorielle, mentale, ou inexpérimentées, à moins d'avoir obtenu une autorisation auprès des personnes responsables de leur sécurité.
- Ne faites pas fonctionner un réfrigérateur endommagé. Consultez le service agréé en cas de problème.
- La sécurité électrique du réfrigérateur n'est assurée que si le système de mise à la terre de votre domicile est conforme aux normes en vigueur.
- L'exposition du produit à la pluie, la neige, au soleil ou au vent présente des risques concernant la sécurité électrique.
- Contactez le service agréé quand un câble d'alimentation est endommagé pour éviter tout danger.
- Ne branchez jamais le réfrigérateur à la prise murale au cours de l'installation. Vous vous exposeriez à un risque de mort ou à de blessures graves.
- Ce réfrigérateur est conçu seulement pour conserver des aliments. Par conséquent, il ne doit pas être utilisé à d'autres fins.
- L'étiquette avec les caractéristiques techniques est située sur le mur gauche à l'intérieur du réfrigérateur.
- Ne branchez jamais votre réfrigérateur à des systèmes d'économie d'énergie, cela peut l'endommager.
- S'il y a une lumière bleue sur le réfrigérateur, ne la regardez pas avec des outils optiques.
- Pour les réfrigérateurs contrôlés manuellement, attendez au moins 5 minutes pour allumer le réfrigérateur après une coupure de courant.
- Si cet appareil venait à changer de propriétaire, n'oubliez pas de remettre la présente notice d'utilisation au nouveau bénéficiaire.
- Évitez d'endommager le câble d'alimentation quand vous transportez le réfrigérateur. Tordre le câble peut entraîner un incendie. Ne placez jamais d'objets lourds sur le câble d'alimentation.



- Évitez de toucher à la prise avec des mains mouillées au moment de brancher l'appareil.
- Évitez de brancher le réfrigérateur lorsque la prise de courant électrique a lâché.
- Pour des raisons de sécurité, évitez de pulvériser directement de l'eau sur les parties externes et internes du réfrigérateur.
- Ne pulvérisez pas de substances contenant des gaz inflammables comme du propane près du réfrigérateur pour éviter tout risque d'incendie et d'explosion.
- Ne placez jamais de récipients contenant de l'eau sur votre réfrigérateur, ils pourraient causer des chocs électriques ou un incendie.
- Évitez de surcharger le réfrigérateur avec une quantité excessive d'aliments. S'il est surchargé, les aliments peuvent tomber, vous blesser et endommager le réfrigérateur quand vous ouvrez la porte.
- Ne placez jamais d'objets au-dessus du réfrigérateur, ils pourraient tomber quand vous ouvrez ou fermez la porte du réfrigérateur.

- Les produits qui nécessitent un contrôle de température précis (vaccin, médicament sensible à la chaleur, matériels scientifiques, etc.) ne doivent pas être conservés dans le réfrigérateur.
- Si le réfrigérateur n'est pas utilisé pendant longtemps, il doit être débranché. Un problème avec le câble d'alimentation pourrait causer un incendie.
- Le bout de la prise électrique doit être nettoyé régulièrement à l'aide d'un chiffon sec, sinon il peut provoquer un incendie.
- Le réfrigérateur peut bouger si ses pieds réglables ne sont pas bien fixés sur le sol. Bien fixer les pieds réglables sur le sol peut empêcher le réfrigérateur de bouger.
- Quand vous transportez le réfrigérateur, ne le tenez pas par la poignée de la porte. Cela peut le casser.
- Quand vous devez placer votre produit près d'un autre réfrigérateur ou congélateur, la distance entre les appareils doit être d'au moins 8 cm. Sinon, les murs adjacents peuvent être humidifiés.

Pour les appareils dotés d'une fontaine à eau

La pression de l'alimentation en eau doit être comprise entre 1 et 8 bars.

- Utilisez uniquement de l'eau potable.

Sécurité enfants

- Si la porte a un verrouillage, la clé doit rester hors de portée des enfants.
- Les enfants doivent être surveillés et empêchés de s'amuser avec le produit.

Avertissement sur l'usage des fluides frigorigènes

Si le système de refroidissement de votre appareil contient R600a:

Ce gaz est inflammable. Par conséquent, veuillez prendre garde à ne pas endommager le système de refroidissement et les tuyauteries lors de son utilisation ou de son transport.

En cas de dommages, éloignez votre produit de toute source potentielle de flammes susceptible de provoquer l'incendie de l'appareil. De même, placez le produit dans une pièce aérée.

Ne tenez pas compte de cet avertissement si le système de refroidissement de votre appareil contient R134a.

Le type de gaz utilisé dans l'appareil est mentionné sur la plaque signalétique située sur la paroi gauche de l'intérieur du réfrigérateur.

Ne jetez jamais l'appareil au feu pour vous en débarrasser.

Mesures d'économie d'énergie

- Ne laissez pas les portes du réfrigérateur ouvertes pendant une durée prolongée.
- N'introduisez pas de aliments ou de boissons chaudes dans le réfrigérateur.
- Ne surchargez pas le réfrigérateur pour ne pas obstruer pas la circulation d'air à l'intérieur.
- N'installez pas le réfrigérateur à la lumière directe du soleil ou près d'appareil émettant de la chaleur tels qu'un four, un lave-vaisselle ou un radiateur. Maintenez une distance d'au moins 30 cm entre votre réfrigérateur et toute source de chaleur, et à une distance de 5 cm d'un four électrique.
- Veillez à conserver vos aliments dans des récipients fermés.
- Pour les produits équipés d'un compartiment congélateur: vous pouvez conserver une quantité maximale d'aliments dans le congélateur quand vous enlevez l'étagère ou le tiroir du congélateur. La consommation d'énergie précisée pour votre réfrigérateur a été déterminée en enlevant l'étagère ou le tiroir du congélateur et avec la charge maximale. Il n'y a aucun risque à utiliser une étagère ou un tiroir en fonction des formes et tailles des aliments à congeler.
- La décongélation des aliments dans le compartiment réfrigérateur permet de faire des économies d'énergie et de préserver la qualité des aliments.

3 Installation

⚠ Dans l'hypothèse où l'information contenue dans ce manuel n'a pas été prise en compte par l'utilisateur, le fabricant ne sera aucunement responsable en cas de problèmes.

Éléments à prendre en considération lors du déménagement de votre réfrigérateur

1. Votre réfrigérateur doit être débranché.
2. Avant le transport de votre réfrigérateur, vous devez le vider et le nettoyer. Avant d'emballer votre réfrigérateur, vous devez fixer ses étagères, bac, accessoires, etc., avec du ruban adhésif afin de les protéger contre les chocs.
3. L'emballage doit être solidement attaché avec du ruban adhésif épais ou avec un cordage solide. La réglementation en matière de transport et de marquage de l'emballage doit être strictement respectée.
4. L'emballage et les matériaux de protection d'emballage doivent être conservés pour les éventuels transports ou déplacements à venir.

Avant de mettre votre réfrigérateur en marche,

Vérifiez les points suivants avant de commencer à utiliser votre réfrigérateur:

1. L'intérieur du réfrigérateur est sec et l'air peut circuler librement à l'arrière?
2. Nettoyez l'intérieur du réfrigérateur tel qu'indiqué dans la section « Entretien et nettoyage ».
3. Insérez la prise du réfrigérateur dans la prise murale. Lorsque la porte du réfrigérateur est ouverte, la lampe interne du réfrigérateur s'éclaire.

4. Lorsque le compresseur commence à fonctionner, il émettra un son. Le liquide et les gaz intégrés au système du réfrigérateur peuvent également faire du bruit, que le compresseur soit en marche ou non. Ceci est tout à fait normal.

5. Les parties antérieures du réfrigérateur peuvent chauffer. Ce phénomène est normal. Ces zones doivent en principe être chaudes pour éviter tout risque de condensation.

Branchement électrique

Branchez votre réfrigérateur à une prise électrique protégée par un fusible ayant une capacité appropriée.

Important:

- Le branchement doit être conforme aux normes en vigueur sur le territoire national.
- La fiche du câble d'alimentation doit être facilement accessible après installation.
- La sécurité électrique du réfrigérateur n'est assurée que si le système de mise à la terre de votre domicile est conforme aux normes en vigueur.
- La tension indiquée sur l'étiquette située sur la paroi gauche interne de votre produit doit correspondre à celle fournie par votre réseau électrique.
- **Les rallonges et prises multivoies ne doivent pas être utilisés pour brancher l'appareil.**

⚠ Un câble d'alimentation endommagé doit être remplacé par un électricien qualifié.

⚠ L'appareil ne doit pas être mis en service avant d'être réparé ! Cette précaution permet d'éviter tout risque de choc électrique!

Mise au rebut de l'emballage

Les matériaux d'emballage peuvent être dangereux pour les enfants. Tenez les matériaux d'emballage hors de portée des enfants ou jetez-les conformément aux consignes établies par les autorités locales en matière de déchets. Ne les jetez pas avec les déchets domestiques, déposez-les dans les centres de collecte désignés par les autorités locales.

L'emballage de votre appareil est produit à partir de matériaux recyclables.

Mise au rebut de votre ancien réfrigérateur

Débarrassez-vous de votre ancien réfrigérateur sans nuire à l'environnement.

- Vous pouvez consulter le service après-vente agréé ou le centre chargé de la mise au rebut dans votre municipalité pour en savoir plus sur la mise au rebut de votre produit.

Avant de procéder à la mise au rebut de votre machine, coupez la prise électrique et, le cas échéant, tout verrouillage susceptible de se trouver sur la porte. Rendez-les inopérants afin de ne pas exposer les enfants à d'éventuels dangers.

Disposition et Installation

⚠ Si la porte d'entrée de la pièce où sera installé le réfrigérateur n'est pas assez large pour laisser passer le réfrigérateur, appelez le service après-vente qui retirera les portes du réfrigérateur et le fera entrer latéralement dans la pièce.

1. Installez le réfrigérateur dans un emplacement qui permette une utilisation pratique.

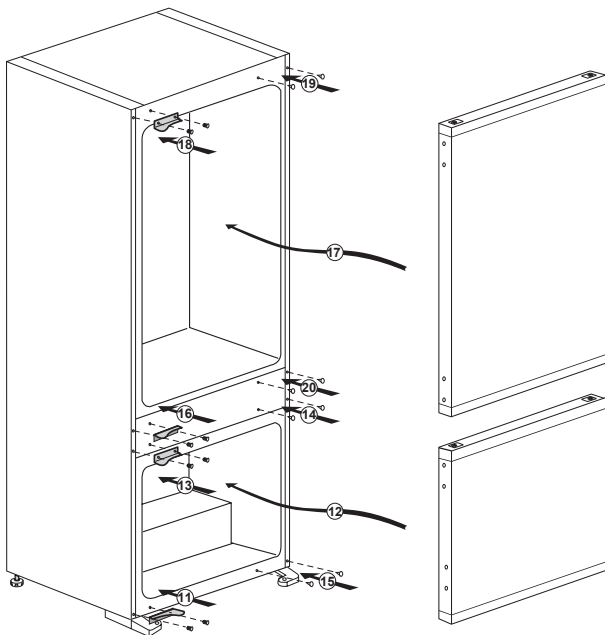
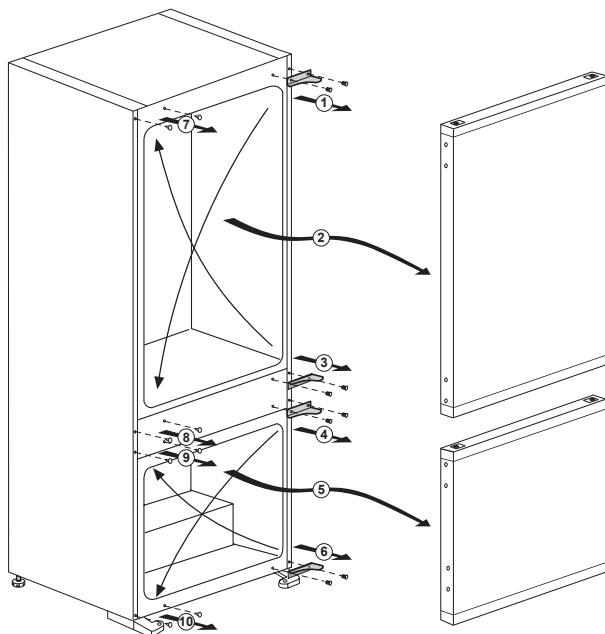
2. Maintenez le réfrigérateur éloigné de toutes sources de chaleur, des endroits humides et de la lumière directe du soleil.
3. Une ventilation d'air autour du réfrigérateur doit être aménagée pour obtenir un fonctionnement efficace. Si le réfrigérateur est placé dans un enfoncement du mur, il doit y avoir un espace d'au moins 5 cm avec le plafond et d'au moins 5 cm avec le mur. Ne placez pas l'appareil sur des revêtements tels qu'un tapis ou de la moquette.
4. Placez le réfrigérateur sur une surface plane afin d'éviter les à-coup.
5. N'exposez pas le réfrigérateur à des températures ambiantes inférieures à 10°C.

Remplacement de l'ampoule intérieure

Pour remplacer la lampe LED du réfrigérateur, veuillez contacter le service après-vente agréé. La lampe (s) utilisé dans cet appareil ne convient pas pour l'éclairage de la salle de ménage. Le but visé par cette lampe est d'aider à l'utilisateur de placer les aliments dans le réfrigérateur / congélateur d'une manière sûre et confortable. Les voyants utilisés dans cet appareil doivent résister aux conditions physiques extrêmes telles que des températures inférieures à -20°C.

Réversibilité des portes

Procédez dans l'ordre numérique.

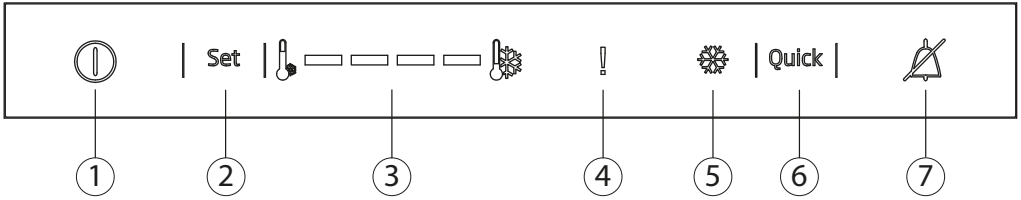


4 Préparation

- Votre congélateur / réfrigérateur doit être installé à au moins 30 cm des sources de chaleur telles que les plaques de cuisson, les fours, appareils de chauffage ou cuisinières, et à au moins 5 cm des fours électriques. De même, il ne doit pas être exposé à la lumière directe du soleil.
- Veuillez vous assurer que l'intérieur de votre appareil est soigneusement nettoyé.
- La température ambiante de la pièce où vous installez le congélateur / réfrigérateur doit être d'au moins 10°C. Faire fonctionner l'appareil sous des températures inférieures n'est pas recommandé et pourrait nuire à son efficacité.
- Si deux congélateur / réfrigérateurs sont installés côte à côte, ils doivent être séparés par au moins 2 cm.
- Lorsque vous faites fonctionner le congélateur / réfrigérateur pour la première fois, assurez-vous de suivre les instructions suivantes pendant les six premières heures.
- La porte ne doit pas être ouverte fréquemment.
- Le congélateur / réfrigérateur doit fonctionner à vide, sans aliments à l'intérieur.
- Ne débranchez pas le congélateur / réfrigérateur. Si une panne de courant se produit, veuillez vous reporter aux avertissements dans la section « Solutions recommandées aux problèmes ».
- L'emballage et les matériaux de protection d'emballage doivent être conservés pour les éventuels transports ou déplacements à venir.

5 Utilisation du réfrigérateur

Touches de Contrôle



1- Fonction Marche/Arrêt

Appuyez sur la touche On/Off pendant 3 secondes pour allumer ou éteindre le réfrigérateur.

2- Fonction de réglage du réfrigérateur

Cette fonction vous donne la possibilité de régler la température du compartiment réfrigérateur.

Appuyez sur ce bouton pour régler la température du compartiment réfrigérateur sur (plus chaud), --, ---, ----, ----- (plus froid) respectivement.

3- Indicateur de réglage de température du compartiment réfrigérateur

Indique le réglage de température pour le compartiment réfrigérateur. Les réglages sont les suivants (le plus chaud), --, ---, ----, ----- (le plus froid).

4- Température élevée/Indicateur d'avertissement d'erreur

Cet éclairage accompagne des échecs de température élevée et des messages d'erreur.

5- Indicateur de réfrigération rapide

Cette icône s'allume lorsque la fonction de réfrigération rapide est active.

6- Fonction de réfrigération rapide

Lorsque vous appuyez sur le bouton Réfrigération rapide, la température du compartiment sera plus froide que les valeurs de réglage.

Cette fonction peut être utilisée pour les aliments placés dans le compartiment de réfrigération que l'on souhaite refroidir rapidement.

Si vous souhaitez introduire de grandes quantités de produits frais dans le réfrigérateur, nous vous recommandons d'activer au préalable cette option. L'indicateur de réfrigération rapide restera allumé pendant que sa fonction est activée. Pour annuler cette fonction, appuyez à nouveau sur le bouton Réfrigération rapide. L'indicateur de réfrigération rapide s'éteindra et retournera à son réglage normal. Après 8 heures de temps, ou lorsque le compartiment réfrigérateur atteint la température souhaitée, cet indicateur s'annulera automatiquement si vous ne le faites pas. Cette fonction n'est pas reprise lorsque le courant est rétabli après une panne de courant.

7- Alarme désactivée

Lorsque la porte du réfrigérateur reste ouverte pendant 2 minutes ou lorsque le capteur est en panne, une alarme sonore retentit. Pour arrêter l'alarme, appuyez sur le bouton « Alarme désactivée ». L'alarme de dysfonctionnement du capteur ne retentira qu'en cas de panne électrique. Si vous fermez et ouvrez la porte, « l'alarme d'ouverture de porte » s'active à nouveau au bout de 2 minutes.

HarvestFresh

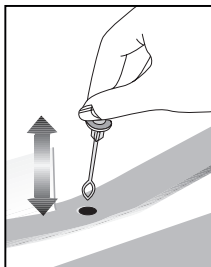
Les fruits et légumes conservés dans les bacs à légumes éclairés par la technologie HarvestFresh conservent leurs vitamines plus longtemps grâce aux lumières bleues, vertes, rouges et aux cycles d'obscurité, qui simulent un cycle de jour.

Si vous ouvrez la porte du réfrigérateur lorsque la technologie HarvestFresh a activé la période d'obscurité, le réfrigérateur le détectera automatiquement et activera la lumière bleue, verte ou rouge afin d'éclairer le bac à légumes à votre convenance. Une fois que vous avez fermé la porte du réfrigérateur, la période d'obscurité se poursuit, représentant ainsi la nuit dans un cycle de jour.

Décongélation

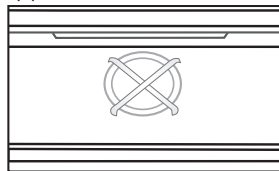
A) Compartiment réfrigérateur

Le compartiment réfrigérateur se dégivre automatiquement. De l'eau s'écoule et une couche de givre pouvant atteindre 7-8 mm peut se former sur la paroi arrière interne du compartiment du réfrigérateur pendant le processus de refroidissement. Cette formation est normale, provoquée par le système de refroidissement. La formation de givre peut être supprimée par le dégivrage automatique qui s'active régulièrement grâce au système de dégivrage de la paroi arrière. L'utilisateur n'a pas besoin d'éliminer le givre ou les gouttes d'eau manuellement. L'eau générée par le dégivrage s'écoule dans la rainure de collecte de l'eau et passe dans l'évaporateur par le tuyau de vidange où elle s'évapore. Vérifiez régulièrement le tuyau de vidange pour vous assurer qu'il n'est pas obstrué et débouchez-le en introduisant un bâton dans le trou si nécessaire.



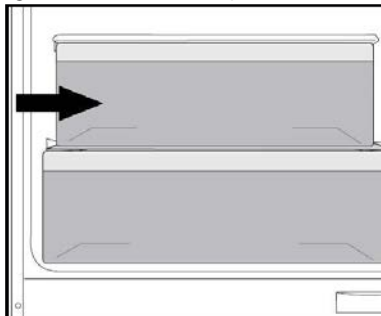
B) Compartiment congélateur

Le compartiment congélateur se dégivre automatiquement. **Avertissements !** Le ventilateur des compartiment congélateur font circuler de l'air froid. N'insérez jamais d'objets derrière la protection. Veillez à ce que les enfants ne jouent pas avec les ventilateur du congélateur. Ne conservez jamais de produits contenant du gaz propulseur inflammable (crème en bombe, bombes aérosols, etc.) ou des substances explosives. Ne recouvrez pas les clayettes de matériaux de protection qui pourraient obstruer la circulation d'air. Veillez à ce que les enfants ne jouent pas avec l'appareil et ne touchent pas aux commandes. N'obstruez pas la protection du ventilateur pour garantir les meilleures performances de votre appareil.



Le compartiment des produits laitiers (entrepôt frigorifique)

Le compartiment des produits laitiers (entrepôt frigorifique) fournit une température plus basse que celle du compartiment réfrigérateur. Utilisez ce compartiment pour conserver les charcuteries (salami, saucisses, produits laitiers, etc.) qui nécessitent une température de conservation plus basse ou des produits à base de viande, de poulet ou de poisson destinés à une consommation immédiate. Ne conservez pas les fruits et les légumes dans ce compartiment.



6 Entretien et nettoyage

- ⚠ N'utilisez jamais d'essence, de benzène ou de matériaux similaires pour le nettoyage.
- ⚠ Nous vous recommandons de débrancher l'appareil avant de procéder au nettoyage.
- ℹ N'utilisez jamais d'ustensiles tranchants, savon, produit de nettoyage domestique, détergent et cirage pour le nettoyage.
- ℹ Utilisez de l'eau tiède pour nettoyer la carrosserie du congélateur / réfrigérateur et séchez-la soigneusement à l'aide d'un chiffon.
- ℹ Utilisez un chiffon humide imbibé d'une solution composée d'une cuillère à café de bicarbonate de soude pour un demi litre d'eau pour nettoyer l'intérieur et séchez soigneusement.
- ⚠ Prenez soin de ne pas faire couler d'eau dans le logement de la lampe et dans d'autres éléments électriques.
- ⚠ En cas de non utilisation de votre congélateur / réfrigérateur pendant une période prolongée, débranchez le câble d'alimentation, sortez toutes les aliments, nettoyez-le et laissez la porte entrouverte.
- ℹ Inspectez les joints de porte régulièrement pour vérifier qu'ils sont propres et qu'il n'y a pas de résidus de nourriture.
- ℹ Pour retirer les balconnets de portes, sortez tout son contenu puis poussez simplement le balconnet vers le haut à partir de la base.
- ℹ Ne jamais utiliser des produits nettoyants ou de l'eau contenant du chlore pour le nettoyage des surfaces externes et des pièces chromées du produit. Le chlore entraîne la corrosion de ces surfaces métalliques.

Protection des surfaces en plastique

- Ne placez pas d'huiles ou de plats huileux dans le congélateur / réfrigérateur dans des récipients non fermés, car les graisses peuvent endommager les surfaces en plastique du congélateur / réfrigérateur. Si vous versez ou éclaboussez de l'huile sur les surfaces en plastique, nettoyez et lavez les parties souillées avec de l'eau chaude immédiatement.

7 Solutions recommandées aux problèmes

Veillez vérifier la liste suivante avant d'appeler le service après-vente. Cela peut vous faire économiser du temps et de l'argent. Cette liste regroupe les problèmes les plus fréquents ne provenant pas d'un défaut de fabrication ou d'utilisation du matériel. Il se peut que certaines des fonctions décrites ne soient pas présentes sur votre produit.

Le réfrigérateur ne fonctionne pas.

- Le réfrigérateur est-il correctement branché ? Insérez la prise dans la prise murale.
- Est-ce que le fusible ou la douille de raccord du réfrigérateur sont connectés ou est-ce que le fusible principal a sauté ? Vérifiez le fusible.

Condensation sur la paroi intérieure du compartiment réfrigérateur. (MULTIZONE, COOL CONTROL et FLEXI ZONE).

- Température ambiante très basse. Ouvertures et fermetures fréquentes de la porte. Humidité ambiante très élevée. Conservation de aliments liquides dans des récipients ouverts. Porte laissée entrouverte. Réglez le thermostat à un niveau de froid supérieur.
- Réduisez les temps d'ouverture de la porte ou utilisez-la moins fréquemment.
- Couvrez les aliments dans des récipients ouverts à l'aide d'un matériau adapté.
- Essayez la condensation à l'aide d'un tissu sec et vérifiez si elle persiste.

Le compresseur ne fonctionne pas.

- Le dispositif de protection thermique du compresseur sautera en cas de coupures soudaines du courant ou de débranchement intempestif, en effet la pression du liquide réfrigérant du système de refroidissement ne sera pas équilibrée. Le réfrigérateur recommencera à fonctionner normalement après 6 minutes environ. Veuillez contacter le service après-vente si le réfrigérateur ne redémarre pas après cette période.
- Le réfrigérateur est en mode de dégivrage. Cela est normal pour un réfrigérateur à dégivrage semi-automatique. Le cycle de dégivrage se déclenche régulièrement.
- Le réfrigérateur n'est pas branché à la prise. Assurez-vous que la prise est branchée à la prise murale.
- Les réglages de température sont-ils corrects ?
- Il se peut qu'il y ait une panne d'électricité.

Le réfrigérateur fonctionne fréquemment ou pendant de longues périodes.

- Votre nouveau réfrigérateur est peut-être plus large que l'ancien. Ceci est tout à fait normal. Les grands réfrigérateurs fonctionnent pendant une période de temps plus longue.
- La température ambiante de la salle peut être élevée. Ceci est tout à fait normal.
- Le réfrigérateur pourrait y avoir été branché tout récemment ou pourrait avoir été chargé de aliments alimentaires. Le refroidissement complet du réfrigérateur peut durer quelques heures de plus.
- D'importantes quantités de aliments chaudes ont peut-être été introduites dans le réfrigérateur récemment. Les aliments chauds provoquent un fonctionnement prolongé du réfrigérateur avant d'atteindre le niveau de température de conservation raisonnable.
- Les portes ont peut-être été ouvertes fréquemment ou laissées entrouvertes pendant une durée prolongée. L'air chaud qui entre dans le réfrigérateur le fait fonctionner pendant de plus longues périodes. Ouvrez les portes moins souvent.
- La porte du réfrigérateur ou du congélateur ont peut-être été laissées entrouvertes. Vérifiez que les portes sont bien fermées.
- Le réfrigérateur est réglé à une température très basse. Réglez la température du réfrigérateur à un degré supérieur et attendez jusqu'à ce que la température soit bonne.
- Le joint de la porte du réfrigérateur ou du congélateur peut être sale, déchiré, rompu ou mal en place. Nettoyez ou remplacez le joint. Tout joint endommagé/déchiré fait fonctionner le réfrigérateur pendant une période de temps plus longue afin de conserver la température actuelle.

La température du congélateur est très basse alors que celle du réfrigérateur est correcte.

- La température du congélateur est réglée à une température très basse. Réglez la température du congélateur à un degré supérieur et vérifiez.

La température du réfrigérateur est très basse alors que celle du congélateur est correcte.

- Il se peut que la température du réfrigérateur a réglée à une température très basse. Réglez la température du réfrigérateur à un degré supérieur et vérifiez.

Les aliments conservés dans les tiroirs du compartiment de réfrigération congèlent.

- Il se peut que la température du réfrigérateur a réglée à une température très basse. Réglez la température du réfrigérateur à un degré supérieur et vérifiez.

La température dans le réfrigérateur ou le congélateur est très élevée.
<ul style="list-style-type: none"> • La température du réfrigérateur a peut être été réglée à un degré très élevé. Le réglage du réfrigérateur a un effet sur la température du congélateur. Modifiez la température du réfrigérateur ou du congélateur jusqu'à ce qu'elles atteignent un niveau correct. • Les portes ont peut être été ouvertes fréquemment ou laissées entrouvertes pendant une durée prolongée; ouvrez-les moins fréquemment. • La porte est peut être restée ouverte; refermez complètement la porte. • D'importantes quantités de aliments chaudes ont peut être été introduites dans le réfrigérateur récemment. Attendez que le réfrigérateur ou le congélateur atteigne la bonne température. • Le réfrigérateur y a peut être été branché récemment. Le refroidissement complet du réfrigérateur nécessite du temps.
Le niveau sonore augmente lorsque le réfrigérateur est en marche.
<ul style="list-style-type: none"> • Les caractéristiques de performance du réfrigérateur peuvent changer en raison des variations de la température ambiante. Cela est normal et n'est pas un défaut.
Vibrations ou bruits.
<ul style="list-style-type: none"> • Le sol n'est pas plat ou n'est pas solide. Le réfrigérateur oscille lorsqu'on le bouge lentement. Assurez-vous que le sol est plat et suffisamment solide pour supporter le réfrigérateur. • Les bruits peuvent être produits par les objets placés sur le réfrigérateur. Enlevez tout ce qu'il y a au-dessus du réfrigérateur.
Le réfrigérateur produit des bruits semblables à de l'eau qui coule ou à la pulvérisation d'un liquide.
<ul style="list-style-type: none"> • Des écoulements de gaz et de liquides se produisent dans le réfrigérateur, de par ses principes de fonctionnement. Cela est normal et n'est pas un défaut.
Le réfrigérateur produit des bruits semblables à du vent.
<ul style="list-style-type: none"> • Les ventilateurs sont utilisés pour refroidir le réfrigérateur. Cela est normal et n'est pas un défaut.
Condensation sur les parois intérieures du réfrigérateur.
<ul style="list-style-type: none"> • Un temps chaud et humide augmente la formation de givre et de condensation. Cela est normal et n'est pas un défaut. • La porte est peut être restée ouverte; assurez-vous que les portes sont complètement fermées. • Les portes ont peut être été ouvertes fréquemment ou laissées entrouvertes pendant une durée prolongée; ouvrez-les moins fréquemment.
De l'humidité est présente à l'extérieur ou entre les portes du réfrigérateur.
<ul style="list-style-type: none"> • Il y a peut être de l'humidité dans l'air; ceci est tout à fait normal par un temps humide. Lorsque l'humidité est faible, la condensation disparaîtra.
Présence d'une mauvaise odeur dans le réfrigérateur.
<ul style="list-style-type: none"> • L'intérieur du réfrigérateur doit être nettoyé. Nettoyez l'intérieur du réfrigérateur avec une éponge, de l'eau tiède ou de l'eau gazeuse. • Certains récipients ou matériaux d'emballage peuvent provoquer ces odeurs. Utilisez un autre récipient ou changez de marque de matériau d'emballage.
La porte ne se ferme pas.
<ul style="list-style-type: none"> • Des récipients peuvent empêcher la fermeture de la porte. Remplacez les emballages qui obstruent la porte. • Le réfrigérateur n'est pas complètement vertical et peut balancer lorsqu'on le bouge légèrement. Réglez les vis de levage. • Le sol n'est pas plat ou solide. Assurez-vous que le sol est plat et qu'il peut supporter le réfrigérateur.
Les bacs à légumes sont coincés.
<ul style="list-style-type: none"> • Il se peut que les aliments touchent le plafond du tiroir. Disposez à nouveau les aliments dans le tiroir.

