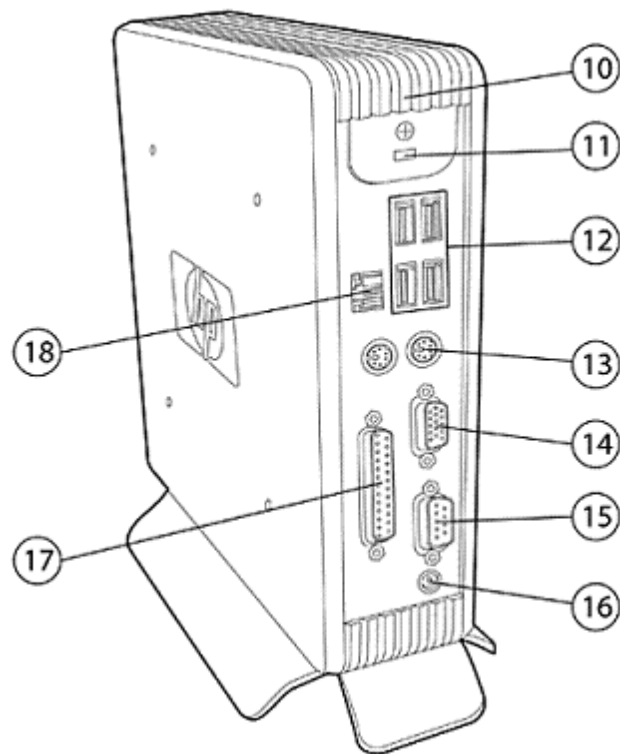
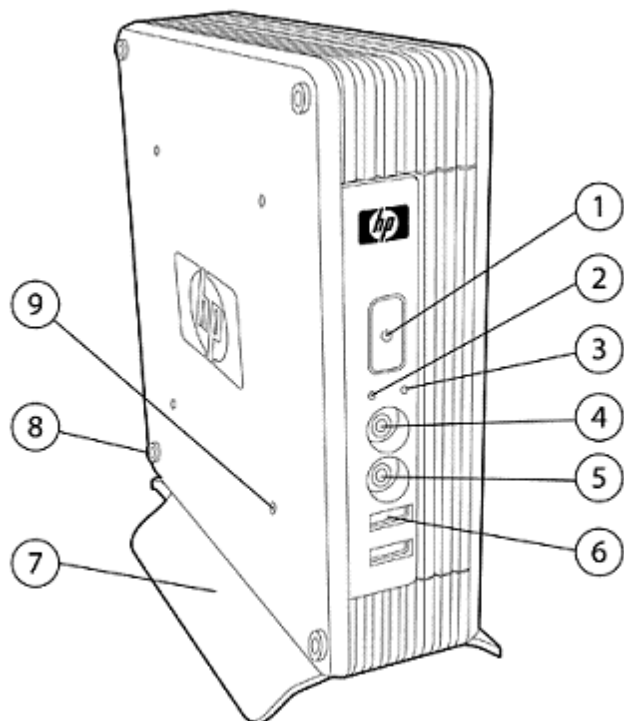


Overview

Introduction

The HP Compaq t5530 Thin Client delivers a great desktop experience for general office applications or your specific line of business software. This unit's enhanced features make it ideal for mainstream business use, with support for legacy ports, ICA, RDP, terminal emulation, Windows Media Player, and basic web browsing. The HP t5530 can provide convenient access to server-based computing solutions, HP's Consolidated Client Infrastructure (CCI), or a variety of remote desktop solutions.



1. Power button
2. Flash activity indicator
3. Power on indicator
4. Audio connector (headphone out)
5. Audio connector (mic in)
6. USB connectors (2)
7. Vertical stand
8. Feet (4) for horizontal orientation
9. HP Quick Release mounting points (4)

10. Secure USB compartment
11. Kensington lock
12. USB connectors (4)
13. PS/2 connectors (2)
14. VGA connector
15. Serial port connector
16. +12V DC power input
17. Parallel port connector
18. 10/100 RJ-45

Overview

At A Glance

- Microsoft® Windows® CE 5.0 operating system
- Via Eden 800 MHz processor
- 128 MB System memory (16 MB reserved for video)
- 64 MB Flash memory
- Includes one parallel, one serial, two PS/2, and eight USB 2.0 ports (four in back, two in front, and two in secure USB compartment).
- Two USB ports and audio ports in front for your convenience.
- Two USB ports in a secure compartment help prevent theft with USB options hidden inside and out of your way. Great for safeguarding USB wireless devices.
- HP's alliance with Altiris brings a leading management solution to the thin client market. Altiris Deployment Solution's standards-based, advanced thin client management solution helps reduce the costs of deploying, updating, and maintaining your thin clients. Included with each HP client!
- HP's exclusive, built-in HP ThinState Tools allow administrator to make changes to image or settings on one "master" client, capture the new image and settings on a USB flash drive or on the thin client itself, and then easily deploy it to "target" thin clients.
- Support for HP OpenView Client Configuration Manager for quick and easy deployment of images and thin client management. A free download of OV CCM (basic edition) for the HP t5530 is available from HP.
- Selectively disable USB ports for enhanced security.
- Support for selected options and peripherals.
- Protected by Hewlett-Packard Services, including a limited three-year warranty – certain restrictions and exclusions apply.

Models

RK270AA#ABA	Model Name	HP Compaq t5530 Thin Client
RK270AT#ABA (SmartBuy or Promo)	Processor	VIA Eden 800 MHz
	Flash	64 MB
RM080AA#ABA (TAA compliant) ¹	System Memory	128 MB (16 MB reserved for video)
	Operating System	Microsoft Windows CE 5.0
	Keyboard	USB or PS/2 (both supported) Keyboard included with every thin client. Type of included keyboard (USB or PS/2) varies by region.
	Mouse	USB or PS/2 (both supported) Mouse included with every thin client. Type of included mouse (USB or PS/2) varies by region.

¹ Product complies with U.S. Trade Agreement (TAA). Available in U.S. only.

Options

		Part Number
Accessories	t5700 40W AC Adapter	DZ991A
	HP Quick Release Kit	EM870AA
	HP/Kensington Cable Lock	PC766A
Communications	Modem Serial – Zoom 3049 56K v.92 Ext. Modem – Serial	3049-00-00
	Modem USB – Zoom 2985C USB 56K v.90 External Modem	2985-00-00C
	Belkin USB Wireless 802.11b/g ¹	HP4050
Touch Screens	ELO Touch 1529L Flat Panel – USB /serial combo ¹	E926109
	ELO Touch 1515L Flat Panel – USB/serial combo ¹	E849124
	ELO Touch 1725C CRT – USB/serial combo ¹	E248189
	ELO Touch 1526C CRT – USB/serial combo ¹	E833965
Security	HP USB Smartcard Keyboard	ED707AA
	Digital Privacy SCR331 USB Smart Card Reader ¹	904054
	Envoy Data SCR331 USB Smart Card Reader ¹	904054
	TxSystems SCR331 USB Smart Card Reader ¹	904054
	HP/Kensington Cable Lock	PC766A
Input Devices	HP PS/2 Standard Keyboard	DT527A
	HP USB Standard Keyboard	DT528A
	HP USB Smartcard Keyboard	ED707AA
	HP PS/2 2-Button Scroll Mouse	DD440B
	HP PS/2 2-Button Optical Scroll Mouse	EY703AA
	HP USB 2-Button Optical Scroll Mouse (Carbonite/Silver)	DC172
Storage	Apacer 1 GB Disk on Key (DOK) ¹	AP-HHR100HD2
	Apacer 512 Disk on Key (DOK) ¹	AP-HHR512HD2
	HP Driverless USB Floppy Drive	F5101B
	External USB 2.0 MBay II Cradle	PA509A
	HDD Multibay II 80GB 5400rpm	PH357A
	Multibay II DVD Drive (Does not support DVD play back)	PA849A
Software	WinCE-Special Purchase only Viewers	EY763AA
Care Packs	9x5 Next-Business-Day ² Advanced Exchange – 3 Years	331653-001;U4847E
	9x5 Next-Business-Day ² On-Site Coverage – 3 Years	331655-001;U4849E

¹Option available directly from third party.

²Service levels and response times for HP Care Packs may vary depending on your geographic location. Restrictions and limitations apply. For details, visit <http://www.hp.com/go/carepack>.

Technical Specifications

Processor	VIA Eden 800 MHz																		
Chipsets	Northbridge: VIA CN700; Southbridge: VIA VT8237																		
Memory	Flash 64 MB System Memory 128 MB (16 MB reserved for video)																		
Graphics	VIA S3 graphics with support for high-resolution monitors up to 1600x1200, 32 bit @60Hz <table><thead><tr><th>Mode</th><th>Refresh Rates</th><th>Color Depth</th></tr></thead><tbody><tr><td>800 x 600</td><td>60, 75, or 85 Hz</td><td>8, 16, or 32 bit</td></tr><tr><td>1024 x 768</td><td>60, 75, or 85 Hz</td><td>8, 16, or 32 bit</td></tr><tr><td>1280 x 1024</td><td>60, 75, or 85 Hz</td><td>8, 16, or 32 bit</td></tr><tr><td>1600 x 1200</td><td>60, 75, or 85 Hz</td><td>8, 16, or 32 bit</td></tr><tr><td>1600 x 1200</td><td>60 Hz</td><td>32 bit</td></tr></tbody></table>	Mode	Refresh Rates	Color Depth	800 x 600	60, 75, or 85 Hz	8, 16, or 32 bit	1024 x 768	60, 75, or 85 Hz	8, 16, or 32 bit	1280 x 1024	60, 75, or 85 Hz	8, 16, or 32 bit	1600 x 1200	60, 75, or 85 Hz	8, 16, or 32 bit	1600 x 1200	60 Hz	32 bit
Mode	Refresh Rates	Color Depth																	
800 x 600	60, 75, or 85 Hz	8, 16, or 32 bit																	
1024 x 768	60, 75, or 85 Hz	8, 16, or 32 bit																	
1280 x 1024	60, 75, or 85 Hz	8, 16, or 32 bit																	
1600 x 1200	60, 75, or 85 Hz	8, 16, or 32 bit																	
1600 x 1200	60 Hz	32 bit																	
Input/Output/ Peripheral Support	Keyboard USB or PS/2 (both supported) Keyboard included with every thin client. Type of included keyboard (USB or PS/2) varies by region. Mouse USB or PS/2 (both supported) Mouse included with every thin client. Type of included mouse (USB or PS/2) varies by region. Printer Local (ThinPrint) and/or network printers (RDP, ICA, LPD, JetCET) Video VGA-type video output (DB-15)																		
Audio	Output Internal amplified speaker, 1/8-inch mini, full 16-bit stereo, 44-kHz sample rate Input 1/8-inch mini microphone																		
Security	Security lock slot (cable lock sold separately)																		
Terminal Server Protocols	Integrated Microsoft RDP 5.5 for Windows CE 5.0 and Citrix ICA 9.X for remote server access.																		
Networking	TCP/IP with Dynamic DNS and DHCP support 10/100 BaseT Fast Ethernet, twisted pair (RJ-45) Direct connection via RS-232, Point-to-Point Protocol (PPP), Point-to-Point over Ethernet (PPPoE) VPN connection via MS Point-to-Point Tunneling Protocol (PPTP), Layer-2 Tunneling Protocol (L2TP) Supports Citrix load balancing on ICA Simple Network Time Protocol (SNTP) DHCP with FTP option for automatic updates Microsoft SMB (Server Message Block) for deploying image from a PC that has been defined as a shared resource (No need to set up FTP Server, if this option is used) Wake on LAN PXE																		
I/O ports and connectors	8 USB 2.0 ports , 1 Serial, 1 Parallel, 2 PS/2 connectors																		
Resident Operating System	Microsoft Windows CE 5.0																		

Technical Specifications

Server OS Compatibility/Support	<ul style="list-style-type: none"> • Citrix Presentation Server 4.0 including the Desktop Broker feature • Citrix Metaframe Presentation Server 3.0, Citrix Metaframe XP Presentation Server • Citrix Metaframe 1.x • Windows 2000/2003 Server families • Windows 2000/2003 Server Terminal Services • Windows 2000 Advanced Server, Windows 2000 Advance Server Terminal Services • Microsoft Windows NT 4.0 Server • Windows NT 4.0 Terminal Server Edition • VMware Virtual Desktop Infrastructure using RDP
Session Allocation Managers/Session Brokers	HP PC Session Allocation Manager Software for HP's Consolidated Client Infrastructure, Citrix Desktop Broker for Virtual Desktop Infrastructure
Software Included	<p>Microsoft Windows CE 5.0 Operating System Microsoft Internet Explorer 6.0 for Windows CE 5.0 Microsoft Windows Media Player 9.0 for Windows CE 5.0 Altiris Deployment Solution (client agent).</p> <p>NOTE: Altiris Deployment Solution (management console) is available as free download from Altiris at: http://www.altiris.com/hptc HP OpenView Client Configuration Manager (basic edition) is available for free download at: http://www.openview.hp.com/products/ccm/download.html HP ThinState Tools for easy deployment Thinprint TCP/IP client for enhanced local printing JetCET Print Professional Teemtalk (CE Terminal Emulation Software) VNC for remote control txtpad Other software available as add-ons (see http://www.hp.com/support for list of available add-ons)</p>
Languages	English
Dimensions H x W x D	<p>Without stand 18.57 x 18.57 x 5.24 cm (7.31 x 7.31 x 2.06 in)</p> <p>Stand only Height: 1.9 cm (0.75 in)</p>
Weight (approximate)	<p>With stand 1.3 kg (2.9 lbs)</p> <p>Stand only 30 g (~1 oz)</p>
Environmental	<p>Operating temperature range 50° to 104° F (10° to 40° C)</p> <p>Non-operating temperature range -22° to 140° F (-30 to 60° C)</p> <p>Humidity 20% to 80% condensing/ 10% to 95% non-condensing</p> <p>Power Worldwide auto-sensing 100 to 240 VAC, 50 to 60 Hz</p>
Regulatory Compliances	<p>Product Safety</p> <ul style="list-style-type: none"> • International: IEC60950-1, 12:2005, with CB Certificate and all National Deviations • US and Canada: UL 60950-1 / CAN/CSA 22.2 No. 60950-1-03, 07:2006, Bi-National Standard for ITE Safety in the US and Canada and is published jointly by UL and CSA. • Europe: EN 60950-1, 06:2003, Information Technology Equipment <p>Ergonomics The product has been tested and found to comply with all applicable GS ergonomic requirements.</p> <p>RF Interference FCC Class B, CE Mark, VCCI</p>
Warranty	<p>Three-year limited hardware warranty.</p> <p>NOTE: Certain restrictions apply. Consult the HP Customer Support Center for details.</p>



Technical Specifications

Emulations	Emulation	Terminal ID
	ADDS A2	
	AlXTerm	VT100, VT101, VT102, VT125, VT131, VT132, M2200, VT220, VT240, VT320, VT340, VT420, VT510, VT520, VT525
	ANSI BBS	VT100, VT101, VT102, VT125, VT131, VT132, M2200, VT220, VT240, VT320, VT340, VT420, VT510, VT520, VT525
	AT 386	
	ATT4410	
	DG 410/412	
	HP 700-92/96	70092, 70094, 70096, 2392A, 2622A
	HZ1500	
	IBM3151	Mod11, Mod31, Mod11-28, Mod31-28
	IBM3270	3278-2 (24x80), 3278-3 (32x80), 3278-4 (43x80), 3278-5 (27x132), 3278-2-E (24x80), 3278-3-E (32x80), 3278-4-E (43x80), 3278-5-E (27x132), 3279-2 (24x80), 3279-3 (32x80), 3279-4 (43x80), 3279-5 (27x132), 3287-1
	IBM5250	5291-1, 5292-2, 5251-11, 3179-2, 3196-A1, 3180-2, 3477-FC (27x132), 3477-FG (24x80), 3486-BA, 3487-HA, 3487-HC, 3812-1, 555-B01, 555-C01, 553-B01
	SCO Console	VT100, VT101, VT102, VT125, VT131, VT132, M2200, VT220, VT240, VT320, VT340, VT420, VT510, VT520, VT525
	Stratus V102	
	TA6530	
	Televideo	TVI910, TVI920, TVI925, TVI950, TVI955
	VT52, VT100, VT100+, VT500 (7- or 8-bit)	VT100, VT101, VT102, VT125, VT131, VT132, M2200, VT220, VT240, VT320, VT340, VT420, VT510, VT520, VT525
	VT PCTerm	
	VT HP220, VT UTF8	VT100, VT101, VT102, VT125, VT220, VT240, VT320, VT340, VT420, VT131, VT132, M2200, VT510, VT520, VT525
	Wyse	PCTerm, WY50, WY50+, WY60
Environment-friendly Products and Approach	RoHS Compliance	Hewlett-Packard is committed to compliance with all applicable environmental laws and regulations, including the European Union Restriction of Hazardous Substances (RoHS) Directive. HP's goal is to exceed compliance obligations by meeting the requirements of the RoHS Directive on a worldwide basis. From July 1, 2006, RoHS substances will be virtually eliminated (virtually = to levels below legal limits) for all HP electronic products subject to the RoHS Directive, except where it is widely recognized that there is no technically feasible alternative (as indicated by an exemption under the EU RoHS Directive).

Technical Specifications

Material Usage

This product does not contain any of the following substances in excess of regulatory limits (refer to the HP General Specification for the Environment at http://www.hp.com/hpinfo/globalcitizenship/environment/supplychain/gen_specifications.html):

- Asbestos
- Certain Azo Colorants
- Certain Brominated Flame Retardants – may not be used as flame retardants in plastics
- Cadmium
- Chlorinated Hydrocarbons
- Chlorinated Paraffins
- Formaldehyde
- Halogenated Diphenyl Methanes
- Lead carbonates and sulfates
- Lead and Lead compounds
- Mercuric Oxide Batteries
- Nickel – finishes must not be used on the external surface designed to be frequently handled or carried by the user.
- Ozone Depleting Substances
- Polybrominated Biphenyls (PBBs)
- Polybrominated Biphenyl Ethers (PBBEs)
- Polybrominated Biphenyl Oxides (PBBOs)
- Polychlorinated Biphenyl (PCB)
- Polychlorinated Terphenyls (PCT)
- Polyvinyl Chloride (PVC) – except for wires and cables, and certain retail packaging has been voluntarily removed from most applications.
- Radioactive Substances
- Tributyl Tin (TBT), Triphenyl Tin (TPT), Tributyl Tin Oxide (TBTO)

Packaging

HP follows these guidelines to decrease the environmental impact of product packaging:

- Eliminate the use of heavy metals such as lead, chromium, mercury and cadmium in packaging materials.
- Eliminate the use of ozone-depleting substances (ODS) in packaging materials.
- Design packaging materials for ease of disassembly.
- Maximize the use of post-consumer recycled content materials in packaging materials.
- Use readily recyclable packaging materials such as paper and corrugated materials.
- Reduce size and weight of packages to improve transportation fuel efficiency.
- Plastic packaging materials are marked according to ISO 11469 and DIN 6120 standards.

Technical Specifications

End-of-life Management and Recycling

Hewlett-Packard offers end-of-life HP product return and recycling programs in many geographic areas. To recycle your product, please go to: <http://www.hp.com/recycle> or contact your nearest HP sales office. Products returned to HP will be recycled, recovered or disposed of in a responsible manner.

The EU WEEE directive (2002/95/EC) requires manufacturers to provide treatment information for each product type for use by treatment facilities. This information (product disassembly instructions) is posted on the Hewlett Packard web site at: <http://www.hp.com/go/recyclers>. These instructions may be used by recyclers and other WEEE treatment facilities as well as HP OEM customers who integrate and re-sell HP equipment.

Hewlett-Packard Corporate Environmental Information

For more information about HP's commitment to the environment:

[link to new HP white paper now in progress]

Global Citizenship Report

<http://www.hp.com/hpinfo/globalcitizenship/gcreport/index.html>

Eco-label certifications

<http://www.hp.com/hpinfo/globalcitizenship/environment/productdesign/ecolabels.html>

ISO 14001 certificates:

<http://www.hp.com/hpinfo/globalcitizenship/environment/operations/envmanagement.html>

©Copyright 2007 Hewlett-Packard Development Company, L.P.

Microsoft, Windows, and Windows NT are trademarks and/or registered trademarks of Microsoft Corporation in the United States and other countries.

The information contained herein is subject to change without notice and is provided "as is" without warranty of any kind. The warranties for HP products and services are set forth in the express limited warranty statements accompanying such products and services. Nothing herein should be construed as constituting an additional warranty. HP shall not be liable for technical or editorial errors or omissions contained herein.