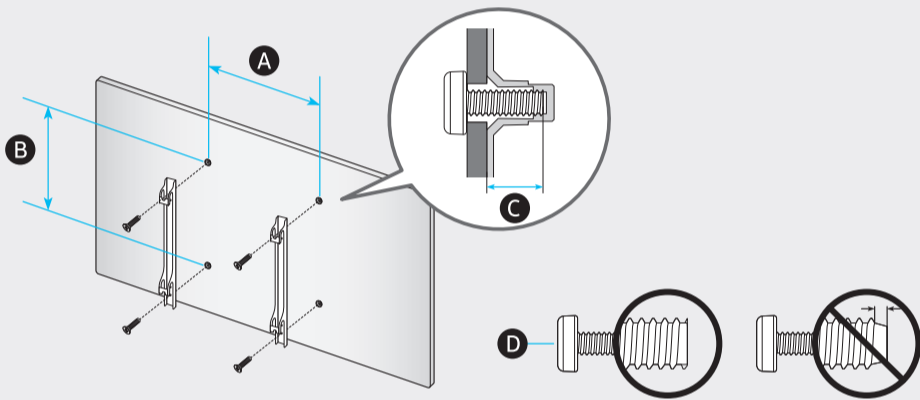


| | A | B | C | D | E | F | G | H |
|--------------------|---|---|--------------------------------------|---|---|-------------------------|-----------------------|-----------------------|
| 55QN9*A 55QNA9* | 48.3 inches (1227.4 mm) (122.74 cm) | 27.8 inches (706.2 mm) (70.62 cm) | 1.0 inches (25.9 mm) (2.59 cm) | 30.2 inches (768.0 mm) (76.80 cm) | 9.3 inches (235.2 mm) (23.52 cm) | 54.6 inches (138 cm) | 37.0 lbs (16.8 kg) | 46.3 lbs (21.0 kg) |
| 65QN9*A 65QNA9* | 56.9 inches (1446.3 mm) (144.63 cm) | 32.6 inches (829.3 mm) (82.93 cm) | 1.0 inches (25.9 mm) (2.59 cm) | 35.1 inches (891.4 mm) (89.14 cm) | 11.2 inches (285.4 mm) (28.54 cm) | 64.5 inches (163 cm) | 51.4 lbs (23.3 kg) | 66.8 lbs (30.3 kg) |

*: 0-9, A-Z



| | VESA A x B (mm) | C (mm) | D x 4 |
|--------------------|-----------------|--------|-------|
| 55QN9*A 55QNA9* | 200 x 200 | 11-13 | M8 |
| 65QN9*A 65QNA9* | 400 x 300 | | |

*: 0-9, A-Z

SAMSUNG

QUICK SETUP GUIDE
 GUIDE D'INSTALLATION RAPIDE
 GUÍA RÁPIDA DE CONFIGURACIÓN
 GUIA RÁPIDO DE INSTALAÇÃO
 KURZANLEITUNG ZUR KONFIGURATION
 GUIDA DI INSTALLAZIONE RAPIDA



BN68-11733C-01

