



\* 55 inch

\* All images are for illustrative purposes only.

## Commercial TV US765H (ASIA)

# 4K UHD Hospitality TV with NanoCell Display, Pro:Centric Solutions and Multi DRM.

US765H with NanoCell Display features UHD resolution that creates vivid details and a virtually flawless picture. And it features Pro:Centric technologies for easy management, configuration and updates on guest room TVs via a centralized management system.



NanoCell



Pro:Centric Hotel Management Solution



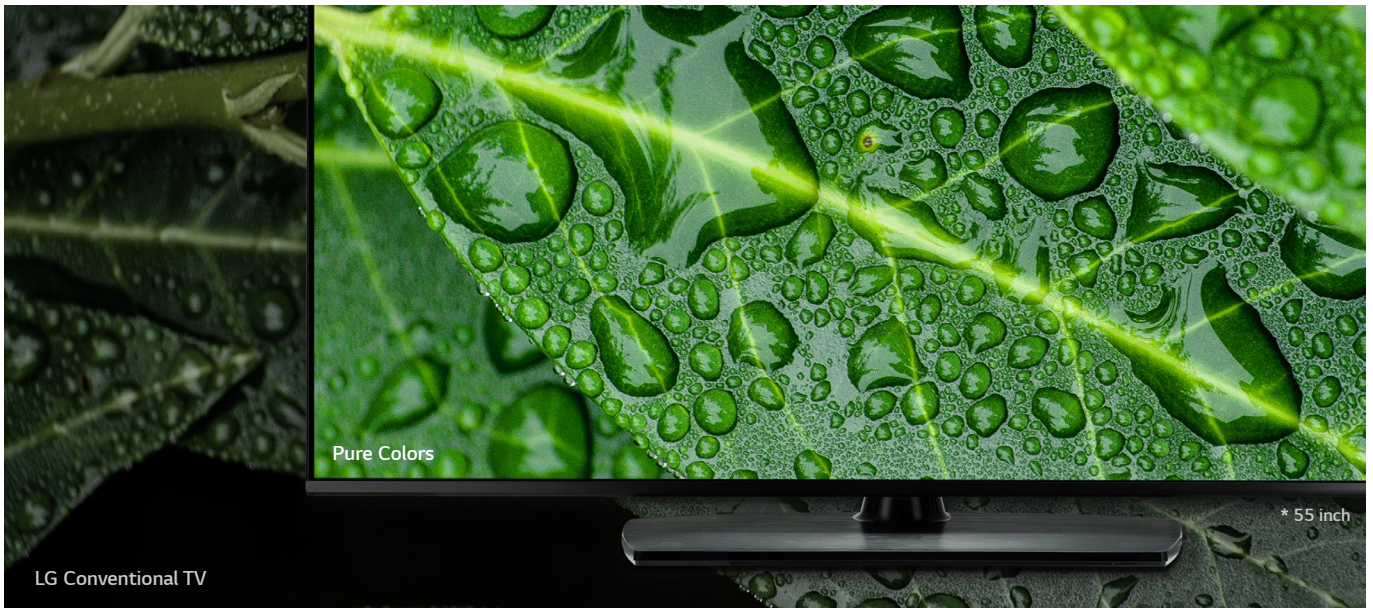
Voice Recognition



Multi DRM



## NanoCell TECHNOLOGY



\* Image shown is for illustrative purpose only.

### Real 4K Made by Pure Colors

NanoCell TV delivers a broad spectrum of colors and lifelike accuracy with advanced NanoCell technology, making LG Hotel TV virtually flawless. Discover brilliant and clear visual experience with the Real 4K that NanoCell TV delivers.



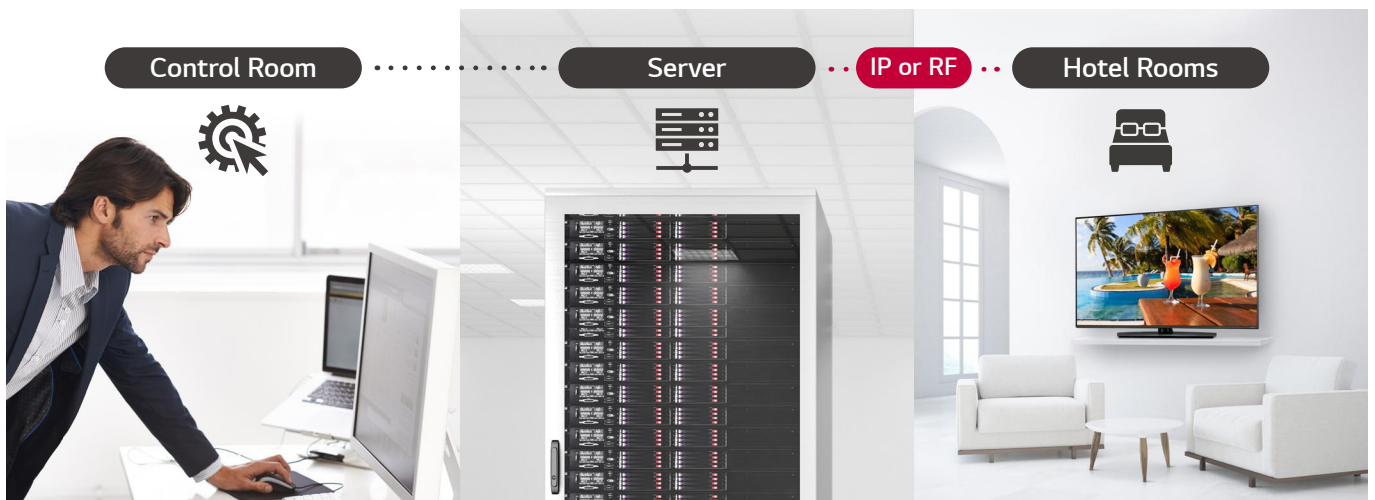
\* Image shown is for illustrative purpose only.

### Nano Bezel Adds Sophisticated Ambiance

With its minimal Nano Bezel, NanoCell is designed to blend into any interior and delivers an immersive and delicate viewing experience.

\* All images are for illustrative purposes only.

## Pro:Centric HOTEL MANAGEMENT SOLUTION



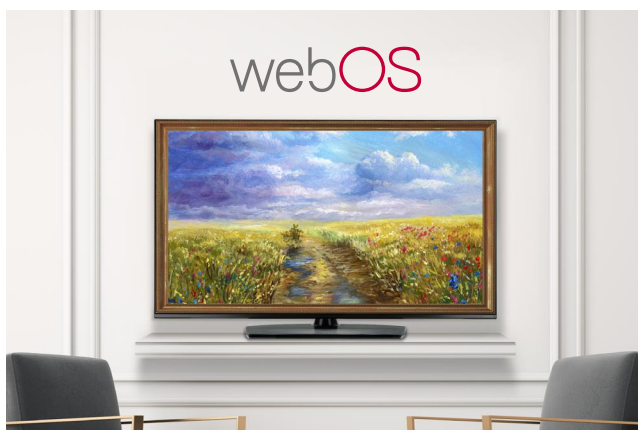
\* Image shown is for illustrative purpose only.

### Pro:Centric Direct

The hotel content management solution Pro:Centric Direct offers easy and simple editing tools, making it easy to perform service and IP network-based remote management. The Pro:Centric Direct solution enables users to easily edit their interface by providing a customized interface and efficiently manages TVs in the rooms. The current PCD version provides IoT-based in-room control as well as a voice control function through LG Natural Language Processing (NLP). These IoT and voice-related functions will be your starting point to prepare for the hotel rooms of the next generation through artificial intelligence.

\* Some devices may have limited compatibility with the IoT and Voice Control function.

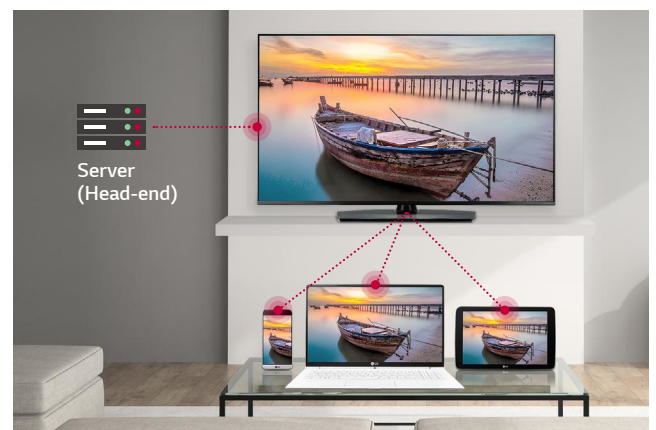
## VALUE ADDED FEATURES



\* Image shown is for illustrative purpose only.

### More Innovative LG webOS 5.0

Explore the latest LG Smart TV features. Newly added Mood Display & Gallery modes enable you to utilize the TV as a customized clock and a piece of artwork which harmonizes with your space and life.



\* Image shown is for illustrative purpose only.

### Soft AP

Software-enabled Access Point (Soft AP) is a "virtual" Wi-Fi feature that uses the TV as a wireless hotspot, enabling guests to connect their own devices to the Soft AP. It supports Bridge Mode, allowing administrators to manage in-room Soft AP information such as signal level, Soft AP passwords, etc.

\* Soft AP should be setup in the installation menu after the TV is turned on.

\* Smart Mirroring may not be operated at the same time.

\* All images are for illustrative purposes only.



## VALUE ADDED FEATURES



\* Image shown is for illustrative purpose only.

### Multi DRM

Prevent illegal copying of content with widely used DRM (Digital Right Management) such as Pro:Idiom, Verimatrix and Secure Media.



\* Image shown is for illustrative purpose only.

### Hotel Mode (Public Display Mode)

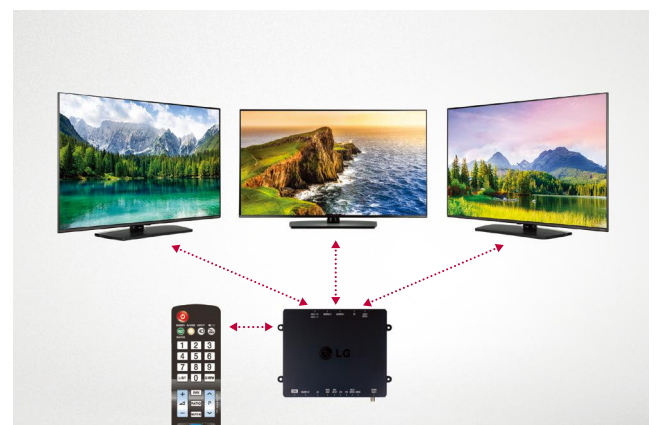
From channel selection to volume level, you can control the TV settings in business areas. It also enables you to restore default settings, as required, on the TVs.



\* Image shown is for illustrative purpose only.

### USB Cloning

USB data cloning makes setting up multiple displays more efficient for optimal operation. Instead of setting up each display one by one, data can be copied to a USB for one display and can be sent to the other displays via USB plug-in.



\* Image shown is for illustrative purpose only.

### IR Out

Using the interactive set-top box, LG Commercial TVs can be controlled with a single remote control.

\* This feature may have a restriction depending on the TV models.

# PRODUCT INFORMATION

\* 65 inch



## US765H (ASIA)

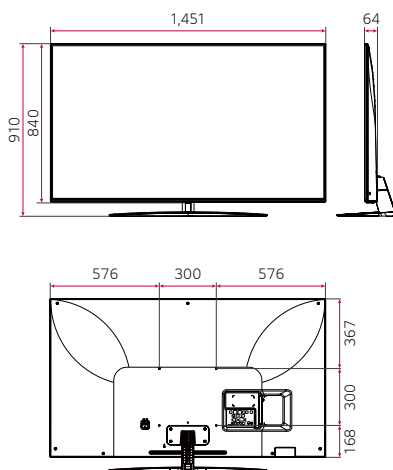
Australia, New Zealand Only

Design	Stand Type	65": 1 Pole (Fixed) / 55", 49": 1 Pole (Swivel)
Display	Inch	65" / 55" / 49"
	Resolution	3,840 × 2,160 (UHD)
	Category	NanoCell
Broadcasting System	Digital	DVB - T2 / C / S2
	Analog	PAL / SECAM
Solution	Pro:Centric (Smart, Direct, V), Quick Menu	

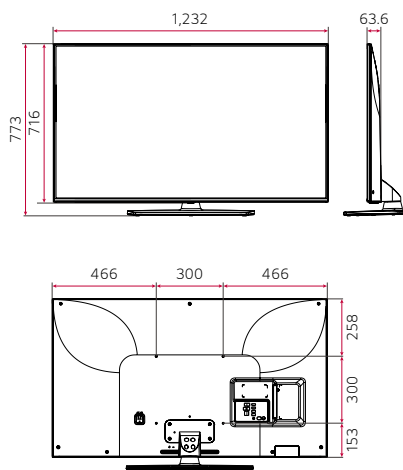
## DIMENSION

(unit: mm)

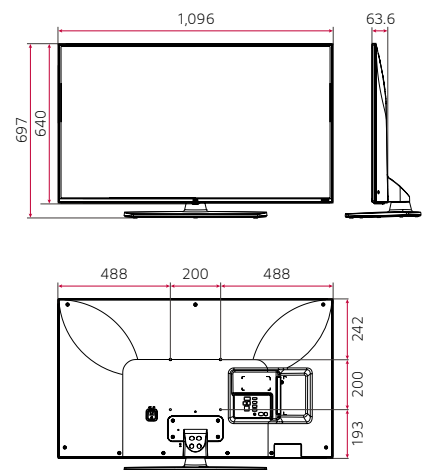
65"



55"

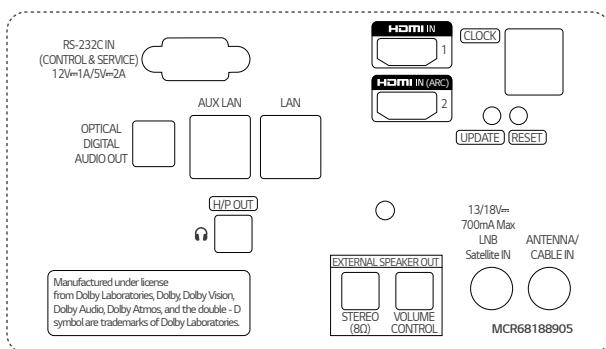


49"



## CONNECTIVITY

Rear



Side



\* Dimensions & Jack Panels may differ from the above image, so please contact LG sales team to verify before ordering.



Download  
LG C-Display+  
Mobile App  
Google Play Store

- [www.lg.com/global/business/information-display](http://www.lg.com/global/business/information-display)
- [www.youtube.com/c/LGCommercialDisplay](https://www.youtube.com/c/LGCommercialDisplay)
- [www.facebook.com/LGInformationDisplay](https://www.facebook.com/LGInformationDisplay)
- [www.linkedin.com/company/lginformationdisplay](https://www.linkedin.com/company/lginformationdisplay)
- [twitter.com/LG\\_ID\\_HQ](https://twitter.com/LG_ID_HQ)

LG may make changes to specifications and product descriptions without notice. Copyright © 2020 LG Electronics Inc. All rights reserved. "LG Life's Good" is a registered trademark of LG Corp. The names of products and brands mentioned here may be the trademarks of their respective owners.

