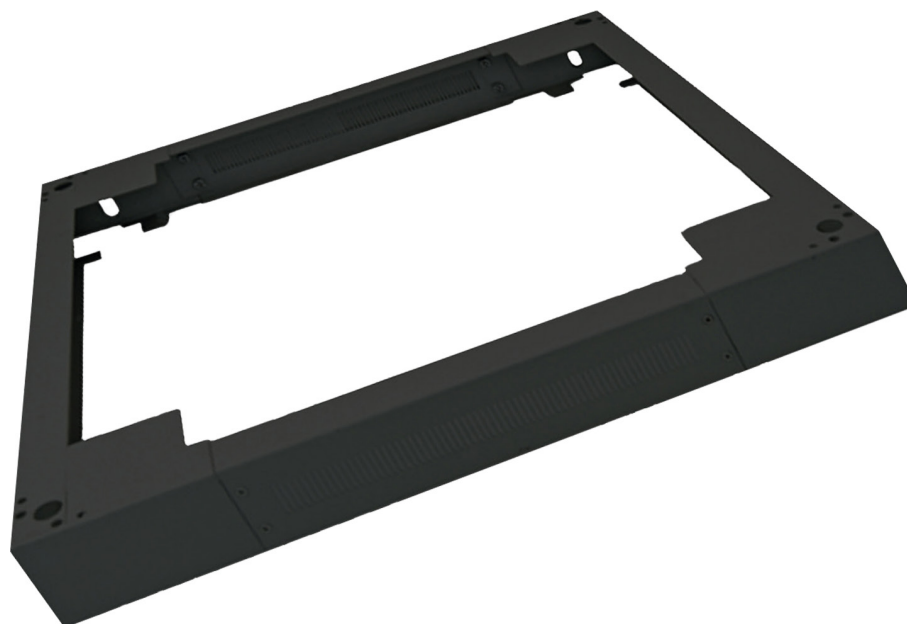


# 19" Rack plinth for B800 mm rack cabinets

Item no.: LVR248250  
LVR248255  
LVR248260



## PRODUCT OVERVIEW

Plinth for 19" rack cabinets allow for functional storage of excess cable assemblies and protect the bottom part of the cabinet

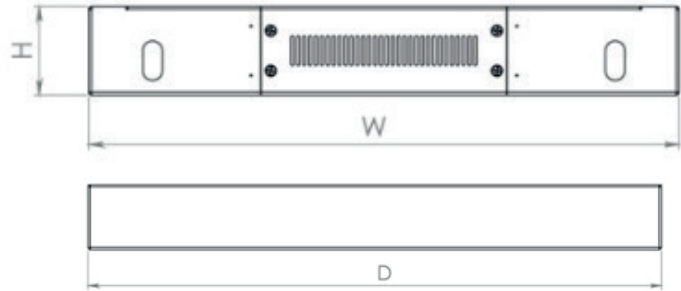
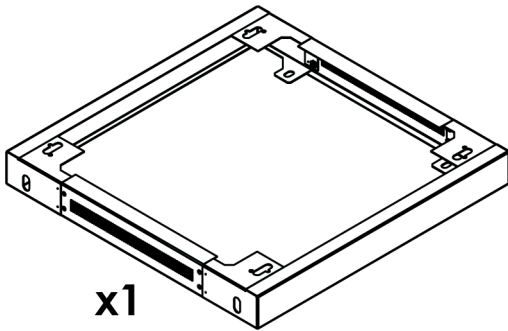
## SPECIFICATIONS

<b>Material</b>	2mm steel
<b>Height</b>	90 mm

### PART NO.

<b>LVR248250</b>	For B800 x D800 mm rack cabinets
<b>LVR248255</b>	For B800 x D1000 mm rack cabinets
<b>LVR248260</b>	For B800 x D1200 mm rack cabinets





**x1**

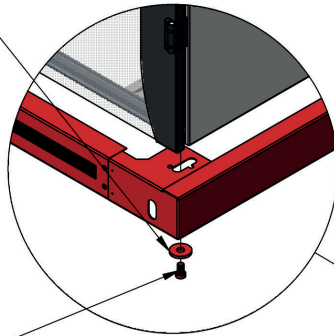


**4x (M12x20) Bolt**

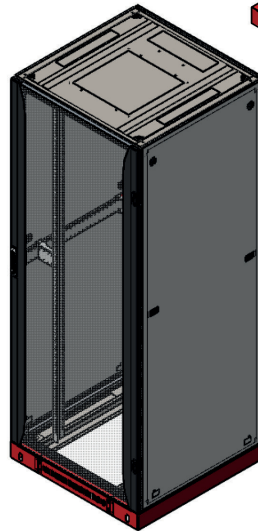
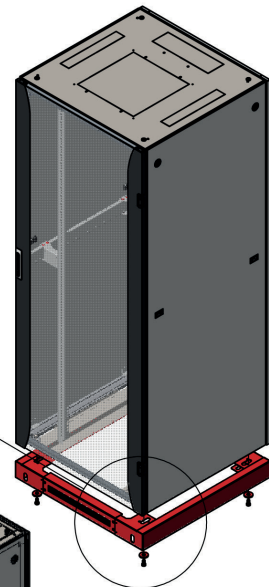
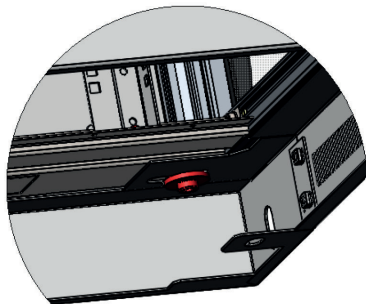


**8xM12 Washer**

**8xM12 Washer**



**4xM12 Bolt**



## 19" Rack plinth for B800 mm rack cabinets