

SAFETY INSTRUCTIONS

IMPORTANT TO BE READ AND OBSERVED

⚠ These instructions are valid if the country symbol appears on the appliance. If the symbol doesn't appear on the appliance, it is necessary to refer to the technical instructions which will provide the necessary instructions concerning modification of the appliance to the conditions of use of the country.

⚠ CAUTION: The use of the gas cooking appliance results in the production of heat, moisture and products of combustion in the room in which it is installed. Ensure that the kitchen is well ventilated especially when the appliance is in use: keep natural ventilation holes open or install a mechanical ventilation device (mechanical extractor hood). Prolonged intensive use of the appliance may call for additional ventilation, such as opening a window, or more effective ventilation, for example increasing the level of mechanical ventilation (if possible).

⚠ Failure to follow the information in this manual exactly may cause a fire or explosion, resulting in property damage or personal injury.

Before using the appliance, read these safety instructions. Keep them nearby for future reference.

These instructions and the appliance itself provide important safety warnings, to be observed at all times. The manufacturer declines any liability for failure to observe these safety instructions, for inappropriate use of the appliance or incorrect setting of controls.

⚠ WARNING: If the hob surface is cracked, don't use the appliance – risk of electrical shock.

⚠ WARNING: Danger of fire: Do not store items on the cooking surfaces.

⚠ CAUTION: The cooking process has to be supervised. A short cooking process has to be supervised continuously.

⚠ WARNING: Unattended cooking on a hob with fat or oil can be dangerous – risk of fire. NEVER try to extinguish a fire with water, but switch off the appliance and then cover flame e.g. with a lid or a fire blanket.

⚠ Do not use the hob as a work surface or support. Keep clothes or other flammable materials away from the appliance, until all the components have cooled down completely – risk of fire.

⚠ Very young children (0-3 years) should be kept away from the appliance. Young children (3-8 years) should be kept away from the appliance unless continuously supervised. Children from 8 years old and above and persons with reduced physical, sensory or mental capabilities or lack of experience and knowledge can use this appliance only if they are supervised or have been given instructions on safe use and understand the hazards involved. Children must not play with the appliance. Cleaning and user maintenance must not be carried out by children without supervision.

⚠ CAUTION: In case of hotplate glass breakage: shut immediately off all burners and any electrical heating element and isolate the appliance from the power

supply; do not touch the appliance surface; do not use the appliance.

The glass lid can break in if it is heated up. Turn off all the burners and the electric plates before closing the lid. Do not shout down lid when burner alight.

⚠ WARNING: The appliance and its accessible parts become hot during use. Care should be taken to avoid touching heating elements. Children less than 8 years of age must be kept away unless continuously supervised.

⚠ The food must not be left in or on the product for more than one hour before or after cooking.

PERMITTED USE

⚠ CAUTION: the appliance is not intended to be operated by means of an external switching device, such as a timer, or separate remote controlled system.

⚠ This appliance is intended to be used in household and similar applications such as: staff kitchen areas in shops, offices and other working environments; farm houses; by clients in hotels, motels, bed & breakfast and other residential environments.

⚠ No other use is permitted (e.g. heating rooms).

⚠ This appliance is not for professional use. Do not use the appliance outdoors.

⚠ Use pots and pans with bottoms the same width as that of the burners or slightly larger (see specific table). Make sure pots on the grates do not protrude beyond the edge of the hob.

⚠ Improper use of the grids can result in damage to the hob: do not position the grids upside down or slide them across the hob.

Do not let the burner flame extend beyond the edge of the pan.

If the hob surface is in glass material, do not use the cast iron griddles, ollar stones, terracotta pots and pans.

Do not use: heat diffusers such as metal mesh, or any other types; two burners simultaneously for one receptacle (e.g. Fish kettle).

Should particular local conditions of the delivered gas make the ignition of burner difficult, it is advisable to repeat the operation with the knob turned to small flame setting.

In case of installation of a hood above the cooktop, please refer to the hood instructions for the correct distance.

The protective rubber feet on the grids represent a choking hazard for young children. After removing the grids, please ensure that all the feet are correctly fitted.

INSTALLATION

⚠ The appliance must be handled and installed by two or more persons - risk of injury. Use protective gloves to unpack and install - risk of cuts.

⚠ The electrical and gas connections must comply with local regulation.

⚠ Installation, including water supply (if any) and electrical connections, and repairs must be carried out by a qualified technician. Do not repair or replace any part of the appliance unless specifically stated in the user manual. Keep children away from the installation site. After unpacking the appliance, make sure that it has not been damaged during transport. In the event of problems, contact the dealer or your nearest After-sales Service. Once installed, packaging waste (plastic, styrofoam parts etc.) must be stored out of reach of children - risk of suffocation. The appliance must be disconnected from

the power supply before any installation operation - risk of electrical shock. During installation, make sure the appliance does not damage the power cable - risk of fire or electrical shock. Only activate the appliance when the installation has been completed.

⚠ **WARNING:** Modification of the appliance and its method of installation are essential in order to use the appliances safely and correctly in all the additional countries.

⚠ Use pressure regulators suitable for the gas pressure indicated in the instruction.

⚠ The room must be equipped with an air extraction system that expels any combustion fumes.

⚠ The room must also allow proper air circulation, as air is needed for combustion to occur normally. The flow of air must not be less than 2 m³/h per kW of installed power.

⚠ The air circulation system may take air directly from the outside by means of a pipe with an inner cross section of at least 100 cm²; the opening must not be vulnerable to any type of blockages.

⚠ The system can also provide the air needed for combustion indirectly, i.e. from adjacent rooms fitted with air circulation tubes as described above. However, these rooms must not be communal rooms, bedrooms or rooms that may present a fire hazard.

⚠ Liquid petroleum gas sinks to the floor as it is heavier than air. Therefore, rooms containing LPG cylinders must also be equipped with vents to allow gas to escape in the event of a leak. As a result LPG cylinders, whether partially or completely full, must not be installed or stored in rooms or storage areas that are below ground level (cellars, etc.). It is advisable to keep only the cylinder being used in the room, positioned so that it is not subject to heat produced by external sources (ovens, fireplaces, stoves, etc.) which could raise the temperature of the cylinder above 50°C.

Should you experience difficulty in turning the burners knobs, please contact After Sales Service for replacement of the burner tap if found to be faulty.

The openings used for the ventilation and dispersion of heat must never be covered.

⚠ Carry out all cabinet cutting works before fitting the appliance in the furniture and remove all wood chips and sawdust.

⚠ If the appliance is not installed above an oven, a separator panel (not included) must be installed in the compartment under the appliance.

GAS CONNECTION

⚠ **WARNING:** Prior to installation, ensure that the local distribution conditions (type of gas and gas pressure) and the adjustment of the appliance are compatible.

⚠ Check that the pressure of the gas supply is consistent with the values indicated in "Burner and nozzle specifications" table.

⚠ **WARNING:** The configuration conditions for this appliance are stated on the label (or data plate).

⚠ **WARNING:** This appliance is not connected to a combustion products evacuation device. It must be installed and connected in accordance with current installation regulations. Particular attention must be paid to the relevant requirements regarding ventilation.

⚠ If the appliances is connected to liquid gas, the regulation screw must be fastened as tightly as possible.

⚠ **IMPORTANT:** When the gas cylinder or gas container is installed, it must be properly settled (vertical orientation).

⚠ **WARNING:** This operation must be performed by a qualified technician.

⚠ Use only flexible or rigid metal hose for gas connection.

⚠ Connection with a rigid pipe (copper or steel) Connection to the gas system must be carried out in such a way as not to place any strain of any kind on the appliance. There is an adjustable L-shaped pipe fitting on the appliance supply ramp and this is fitted with a seal in order to prevent leaks. The seal must always be replaced after rotating the pipe fitting (the seal is provided with the appliance). The gas supply pipe fitting is a threaded 1/2 gas cylindrical male attachment.

⚠ Connecting a flexible jointless stainless steel pipe to a threaded attachment. The gas supply pipe fitting is a threaded 1/2 gas cylindrical male attachment. These pipes must be installed so that they are never longer than 2000 mm when fully extended. Once connection has been carried out, make sure that the flexible metal pipe does not touch any moving parts and is not compressed. Only use pipes and seals that comply with current National regulations.

⚠ **IMPORTANT:** If a stainless steel hose is used, it must be installed so as not to touch any mobile part of the furniture (e.g. drawer). It must pass through an area where there are no obstructions and where it is possible to inspect it on all its length.

⚠ The appliance should be connected to the main gas supply or to gas cylinder in compliance with the current national regulations. Before making the connection, make sure that the appliance is compatible with the gas supply you wish to use. If this is not the case, follow the instructions indicated in the paragraph "Adapting to different types of gas".

⚠ After connection to the gas supply, check for leaks with soapy water. Light up the burners and turn the knobs from maximum position 1* to minimum position 2* to check flame stability.

ADAPTING TO DIFFERENT TYPES OF GAS

(This operation needs to be carried out by a qualified technician).

⚠ In order to adapt the appliance to a type of gas other than the type for which it was manufactured (indicated on the rating label), follow the dedicated steps provided after installation drawings.

ELECTRICAL WARNINGS

⚠ **IMPORTANT:** Information about current and voltage consumption is provided on the rating plate.

⚠ It must be possible to disconnect the appliance from the power supply by unplugging it if plug is accessible, or by a multi-pole switch installed upstream of the socket in accordance with the wiring rules and the appliance must be earthed in conformity with national electrical safety standards.

⚠ The power cable must be long enough to connect the appliance, once fitted in its housing, to the main power supply. Do not pull the power supply cable.

⚠ Do not use extension leads, multiple sockets or adapters. The electrical components must not be accessible to the user after installation. Do not use the appliance when you are wet or barefoot. Do not operate this appliance if it has a damaged power cable or plug, if it is not working properly, or if it has been damaged or dropped.

⚠ If the supply cord is damaged, it must be replaced with an identical one by the manufacturer, its service agent or similarly qualified persons in order to avoid a hazard - risk of electrical shock.


CLEANING AND MAINTENANCE

⚠ **WARNING:** Ensure that the appliance is switched off and disconnected from the power supply before performing any maintenance operation; never use steam cleaning equipment - risk of electric shock.

⚠ Do not use abrasive or corrosive products, chlorine-based cleaners or pan scourers.

⚠ To avoid damaging the electric ignition device, do not use it when the burners are not in their housing.

DISPOSAL OF PACKAGING MATERIALS


The packaging material is 100% recyclable and is marked with the recycle symbol .

The various parts of the packaging must therefore be disposed of responsibly and in full compliance with local authority regulations governing waste disposal.

DISPOSAL OF HOUSEHOLD APPLIANCES

This appliance is manufactured with recyclable or reusable materials. Dispose of it in accordance with local waste disposal regulations. For further information on the treatment, recovery and recycling of household electrical appliances, contact your local authority, the collection service for household waste or the store where you purchased the appliance. This appliance is marked in compliance with European Directive 2012/19/EU, Waste Electrical and Electronic Equipment (WEEE) and with the Waste Electrical and Electronic Equipment regulations 2013 (as amended).

By ensuring this product is disposed of correctly, you will help prevent negative consequences for the environment and human health.

The symbol  on the product or on the accompanying documentation indicates that it should not be treated as domestic waste but must be taken to an appropriate collection center for the recycling of electrical and electronic equipment.

ENERGY SAVING TIPS

Use pots and pans with bottom width equal to that of the cooking zone.

Only use flat-bottomed pots and pans.

When possible, keep pot lids on during cooking.

Use a pressure cooker to save even more energy and time.

DECLARATION OF CONFORMITY

This appliance meets Ecodesign requirements of European Regulation 66/2014 and The Ecodesign for Energy-Related Products and Energy Information (Amendment) (EU Exit) Regulations 2019 in compliance with the European standard EN 30-2-1.

BURNER AND NOZZLE SPECIFICATIONS
CATEGORY II2H3+

Type of gas used	Type of burner	Injector marking	Rated thermal flow rate kW	Rated consumption	Reduced heat capacity kW	Gas pressure mbar		
						min.	rat.	max.
NATURAL GAS (Methane) G20	Rapid (R)	128 B	3,00	286 l/h	0,60	17	20	25
	Semi-rapid (SR)	97	1,65	157 l/h	0,35			
	Auxiliary (AUX)	78 A	1,00	95 l/h	0,30			
	2 Ring (DC)	149 H3	4,00	381 l/h	2,20			
LIQUEFIED PETROLEUM GAS (Butane) G30	Rapid (R)	87	3,00	218 g/h	0,60	20	28-30	35
	Semi-rapid (SR)	67	1,65	120 g/h	0,35			
	Auxiliary (AUX)	50	1,00	73 g/h	0,30			
	2 Ring (DC)	100	4,00	291 g/h	1,90			
LIQUEFIED PETROLEUM GAS (Propane) G31	Rapid (R)	87	3,00	214 g/h	0,60	25	37	45
	Semi-rapid (SR)	67	1,65	118 g/h	0,35			
	Auxiliary (AUX)	50	1,00	71 g/h	0,30			
	2 Ring (DC)	100	4,00	286 g/h	1,90			

Type of gas used	Model configuration 5 BURNERS	Rated thermal flowrate (kW)	Total rated consumption	Air required (m ³) for burning 1m ³ of gas
G20 20 mbar	1R - 2SR - 1AUX - 1DC	11,30	1076 l/h	9,52
G30 28-30 mbar	1R - 2SR - 1AUX - 1DC	11,30	822 g/h	30,94
G31 37 mbar	1R - 2SR - 1AUX - 1DC	11,30	807 g/h	23,80

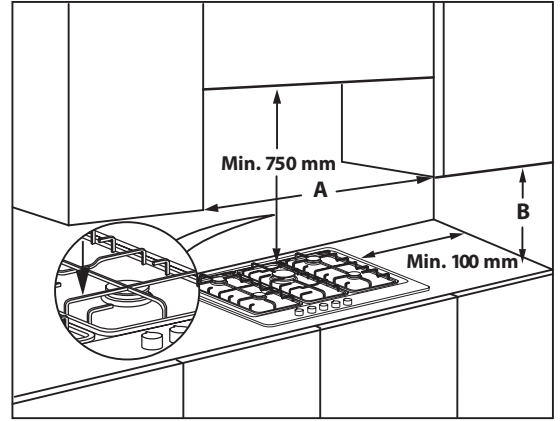
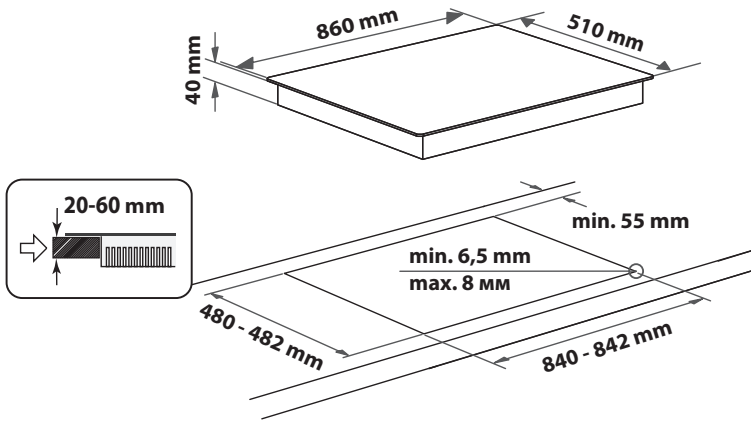
ELECTRIC SUPPLY: 220-240 V ~ 50-60 Hz - 0,6W


INSTALLATION (CLASS 3)

TECHNICAL INFORMATION FOR THE INSTALLER

- Use protective gloves for handling, preparing, and installing the product.
- This product can be embedded in a worktop 20 ÷ 60 mm thick.
- If there is no oven beneath the hob, insert a separator panel with a surface at least equal to the work surface's opening. This panel must be positioned at a maximum distance of 150 mm below the upper surface of the work surface but, in no case less than 20 mm from the bottom of the hob. In case you intend to install an oven beneath the hob, make sure that it is equipped with a cooling system.

DIMENSIONS AND DISTANCES TO BE MAINTAINED



NOTE: If distance "A" between the kitchen cabinets is between 600 mm and 730 mm, height "B" must be at least 530 mm. If distance "A" between the kitchen cabinets is greater than the width of the hob, height "B" must be at least 400 mm. If a hood is installed above the hob, refer to the assembly instructions for the hood to see the necessary distance.

ASSEMBLY

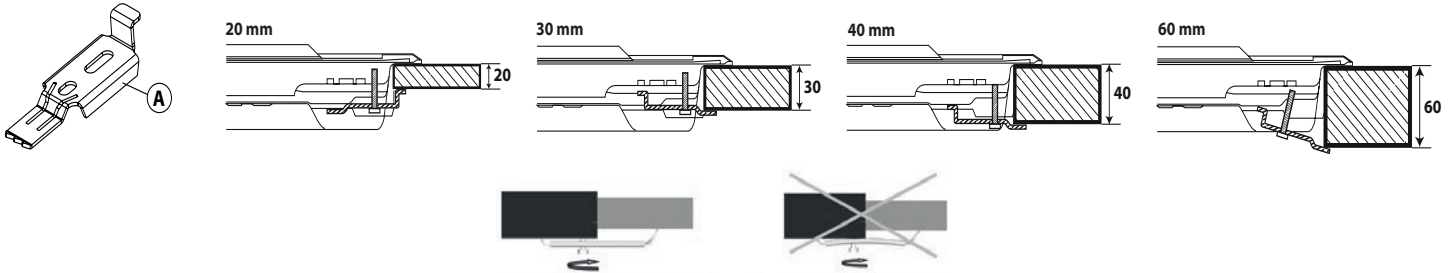
After cleaning the perimeter surface, apply the supplied gasket to the hob as shown in the figure.

Position the hob in the worktop opening made respecting the dimensions indicated in the Instruction.



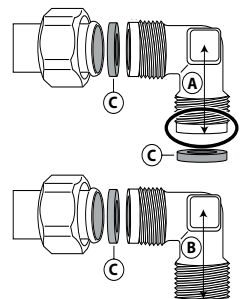
NOTE: the power supply cable must be long enough to permit its upward extraction.

To secure the hob, use the brackets (A) provided with it. Fit the brackets into the relevant bores shown by the arrow and fasten them by means of their screws in accordance with the thickness of the worktop (see the following figures).

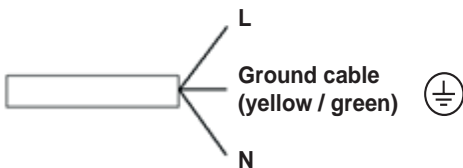


GAS CONNECTION

- Connect elbow (A)* or (B)* supplied with to the hob inlet main pipe and interpose the washer (C) supplied, in compliance with EN 549.
- * Use elbow (A) for France and elbow (B) for all other destinations.
- After connection to the gas supply, check for leaks with soapy water. Light up the burners and turn the knobs from max position to minimum position to check flame stability.



ELECTRICAL CONNECTION





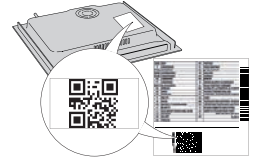
THANK YOU FOR BUYING A WHIRLPOOL PRODUCT

In order to receive a more complete assistance, please register your product on www.whirlpool.eu/register.

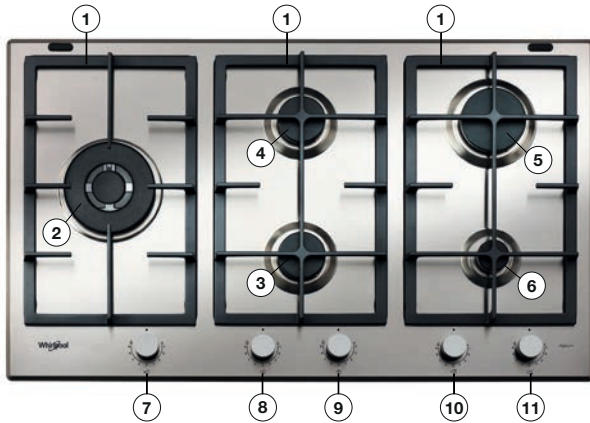


Before using the appliance carefully read the Safety Instruction.

PLEASE SCAN THE QR CODE ON YOUR APPLIANCE IN ORDER TO REACH MORE INFORMATION



PRODUCT DESCRIPTION



1. Removable panstand grids
2. 2 Ring burner
3. Semi-rapid burner
4. Semi-rapid burner
5. Rapid burner
6. Auxiliary burner
7. 2 Ring burner control knob
8. Semi-rapid burner control knob
9. Semi-rapid burner control knob
10. Rapid burner control knob
11. Auxiliary burner control knob

Symbols

- Shaded circle ● Tap closed
- Large flame 🔥 Maximum opening/delivery and electric ignition
- Small flame 🔥 Minimum opening or reduced delivery



DAILY USE

HOW TO USE THE HOB

⚠ Do not let the burner flame extend beyond the edge of the pan.

IMPORTANT: when the hob is in use, the entire hob area may become hot.

- To ignite one of the burners, turn the relative knob anti-clockwise to the maximum flame setting.
- Press the knob against the control panel to ignite the burner.
- After the burner has ignited, keep the knob pressed for about 5-10 seconds to allow proper device operation.
- This burner safety device shuts off the gas supply to the burner if the flame goes out accidentally (because of sudden draught, an interruption in the gas delivery, boiling over liquids, etc.).
- **The knob must not be pressed for more than 15 sec. If, after that time has elapsed, the burner does not remain lit, wait at least one minute before trying to light it again.**

NOTE: should particular local conditions of the delivered gas make the ignition of burner difficult, it is advisable to repeat the operation with the knob turned to the small flame setting.

The burner might go out when the knob is released. This means that the safety device has not warmed up enough. In this case, repeat the operations described above.

If the burner flame is accidentally extinguished, switch off the burner control and do not try to ignite for at least 1 minute.

PRACTICAL ADVICE FOR USING THE BURNERS

This hob has burners of different diameters. For better burner performance, please stick to the following rules:

- use pots and pans with bottoms the same width as that of the burners or slightly larger (see table on the right);
- only use flat-bottomed pots and pans;
- use the correct amount of water for cooking foods and keep the pot covered;
- make sure pots on the grates do not protrude beyond the edge of the hob;
- In the case of pans with convex bottoms (WOK), use the support grille (not provided), which should be positioned only on the multi-ring burner;
- avoid accidentally knocking the hob with pans, racks or other kitchen utensils;
- do not leave empty steak grills over the lit burner for longer than 5 minutes.

IMPORTANT: improper use of the grids can damage the hob: do not position the grids upside down or slide them across the hob.

BURNER	POT Ø
2 Ring	From 24 to 26 cm
Rapid	From 24 to 26 cm
Semi-rapid	From 16 to 22 cm
Auxiliary	From 8 to 14 cm

Do not use:

- cast iron griddles, ollar stones, terracotta pots, and pans;
- heat diffusers such as metal mesh, or any other types;
- two burners simultaneously for one receptacle (e.g., fish kettle).

ADAPTING TO DIFFERENT TYPES OF GAS

⚠ This operation must be performed by a qualified technician.

If the appliance is intended to operate with a different gas from the gas type stated on the rating plate and information label on the top of the hob, change the injectors.

Remove the information label and keep it with the instructions booklet.

Use pressure regulators suitable for the gas pressure indicated in the Instruction:

- the gas injector must be changed by After Sales Service or a qualified technician;
- injector not supplied with the appliance must be ordered from After Sales Service;
- adjust the minimum setting of the taps.

NOTE: when liquid petroleum gas is used (G30/G31), the minimum gas setting screw must be tightened as far as it will go.

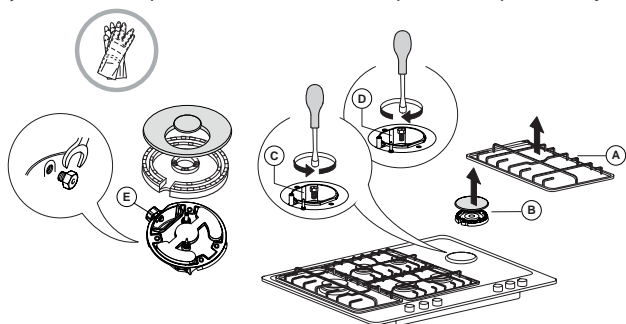
IMPORTANT: should you experience difficulty in turning the burners knobs, please contact the After Sales Service for the replacement of the burner tap if found to be faulty.

IMPORTANT: when gas cylinder is adopted, the gas cylinder or gas container must be properly settled (vertical orientation).

REPLACING THE INJECTORS (see the injector table in the Safety instructions)

⚠ This operation must be performed by a qualified technician.

- Remove grids (A).
- Extract burners (B).
- Using a socket spanner of the appropriate size unscrew the injector (C), to be replaced.
- Replace it with the injector suitable for the new type of gas.
- Re-assemble the injector in (D).
- If you have a multiple crown burner, use a side spanner to replace the injector (E).



Before installing the hob, remember to affix the gas calibration plate supplied with the injectors in such a way that it covers the existing information relating to gas calibration.

COOKING TABLE

LEVEL	COOKING METHOD/TYPE (SUGGESTED FOR)	COOKING TIPS
1-2	KEEP WARM	Ideal for softening butter, gently melting chocolate in bagnemarie, thawing small portions, creaming risotto.
	GENTILE COOK	
3-4	SIMMERING	Ideal for slow-cook recipes (rice, sauces, roast, fish) using liquids (water, wine, broth), and for creaming pasta, maintaining a gentle boiling.
	STEWING	
5-6	ROASTING	Ideal for sauteing, stewing vegetables, cooking for longer period, preheating accessories, cooking until creamy.
	FRYING	
7-8	STIR FRYING	Ideal for browning, starting to cook, bringing liquids to the boil quickly, frying deep-frozen products, grilling meat and fish, maintaining a lively boil.
	GRILLING	
9	FAST HEATING	Ideal for rapidly increasing the temperature of food or for heating up liquids (water).

CLEANING AND MAINTENANCE

⚠ Disconnect the appliance from the power supply.

CLEANING THE HOB SURFACE

- All the enamelled and glass parts should be cleaned with warm water and a neutral solution.
- Stainless steel surfaces may be stained by calcareous water or aggressive detergents if left in contact for too long. Any food spills (water, sauce, coffee, etc.) should be wiped away before they dry.
- Clean with warm water and neutral detergent, and then dry with a soft cloth or chamouis. Remove baked-on dirt with specific cleaners for stainless steel surfaces.

NOTE: clean stainless steel only with soft cloth or sponge.

- Do not use abrasive or corrosive products, chlorine-based cleaners or pan scourers.
- Do not use steam cleaning appliances.
- Do not use flammable products.
- Do not leave acid or alkaline substances, such as vinegar, mustard, salt, sugar or lemon juice on the hob.

ADJUSTING MINIMUM GAS SETTING OF TAPS

⚠ This operation must be performed by a qualified technician.

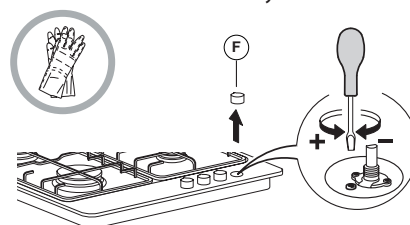
The adjustment must be performed with the tap in a minimum gas setting position (small flame).

The primary air of the burners does not need to be adjusted.

To ensure that the minimum setting is correctly adjusted, remove the knob (F) and proceed as follows:

- tighten the screw to reduce the flame height (-);
- loosen the screw to increase the flame height (+).

At this stage, light up the burners and turn the knobs from maximum position to minimum position to check flame stability.



Upon completion of adjustment, reseal using sealing wax or an equivalent material.

CLEANING THE HOB PARTS

- Clean glass and enamelled parts only with soft cloth or sponge.
- Grids, burner caps and burners can be removed to be cleaned.
- Clean them by hand with warm water and non-abrasive detergent, removing any food residues and checking that none of the burner openings is clogged.
- Rinse and dry.
- **The cast-iron grates may be cleaned in the dishwasher. Remove any burnt-on food before placing the grates in the lowest rack in the dishwasher.**
- Refit burners and burner caps correctly in the respective housings.
- When replacing the grids, make sure that the panstand area is aligned with the burner.
- Models equipped with electrical ignition plugs and safety device require thorough cleaning of the plug end in order to ensure correct operation. Check these items frequently, and if necessary, clean them with a damp cloth. Any baked-on food should be removed with a toothpick or needle.

NOTE: to avoid damaging the electric ignition device, do not use it when the burners are not in their housing.

If the hob does not operate correctly, before calling the After-Sales Service, refer to the Troubleshooting Guide to determine the problem

1. The burner fails to ignite, or the flame is not even

Check that:

- the gas or electrical supplies are not shut off and especially that the gas supply tap is open;
- the gas cylinder (liquid gas) is not empty;
- the burner openings are not clogged;
- the plug end is not dirty;
- all the burner parts have been positioned correctly;
- there are no draughts near the hob.

2. The burner does not stay lit

Check that:

- when lighting the burner, the knob has been pressed for enough time to activate the protection device;
- the burner openings are not clogged near the thermocouple;
- the end of the safety device is not dirty;
- the minimum gas setting is correct (see relevant paragraph).

3. The containers are not stable

Check that:

- the bottom of the container is perfectly flat;
- the container is centred on the burner;
- the grids have not been exchanged or positioned incorrectly.

If after the above checks the fault still occurs, get in touch with the nearest After Sales Service.

AFTER-SALES SERVICE

In order to receive complete assistance, please register your product on www.whirlpool.eu/register.

BEFORE CALLING THE AFTER-SALES SERVICE:

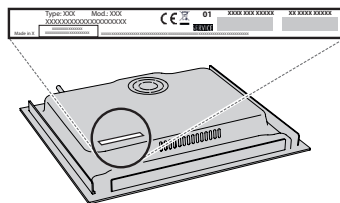
1. See if you can solve the problem by yourself with the help of the **TROUBLESHOOTING** suggestions.
2. Switch the appliance off and back on again to see if the fault persists.

IF AFTER THE ABOVE CHECKS THE FAULT STILL OCCURS, GET IN TOUCH WITH THE NEAREST AFTER-SALES SERVICE.

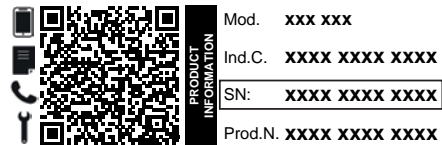
To receive assistance, call the number shown on the warranty booklet or follow the website's instructions on www.whirlpool.eu.

When contacting our Client After-sales service, always specify:

- a brief description of the fault;
- the type and exact model of the appliance;



- the serial number (number after the word SN on the rating plate located under the appliance). The serial number is also indicated in the documentation;



- your full address;
- your telephone number.

If any repairs are required, please contact an authorized after-sales service (to guarantee that original spare parts will be used and repairs carried out correctly).

Policies, standard documentation and additional product information can be found by:

- Using QR code in your appliance;
- Visiting our website docs.whirlpool.eu/docs;
- Alternatively, **contact our After-sales Service** (See phone number in the warranty booklet). When contacting our After-sales Service, please state the codes provided on your product's identification plate.



⚠ Diese Anweisungen sind gültig, wenn das Ländersymbol auf dem Gerät erscheint. Wenn das Symbol nicht auf dem Gerät erscheint, muss auf die technischen Anweisungen verwiesen werden, die die notwendigen Anweisungen für die Änderung des Geräts an die Nutzungsbedingungen des Landes enthalten.

⚠ **VORSICHT:** Die Verwendung des Gaskochers führt zur Erzeugung von Wärme, Feuchtigkeit und Verbrennungsprodukten in dem Raum, in dem das Gerät installiert ist. Stellen Sie sicher, dass die Küche gut belüftet ist, insbesondere wenn das Gerät in Betrieb ist: Lassen Sie natürliche Lüftungsöffnungen offen oder installieren Sie eine mechanische Lüftungsanlage (mechanische Dunstabzugshaube). Bei längerem intensiven Gebrauch des Geräts kann eine zusätzliche Belüftung erforderlich sein, wie das Öffnen eines Fensters oder eine effektivere Belüftung, durch Erhöhung der Stärke der mechanischen Belüftung (sofern möglich).

⚠ Die Nichtbeachtung der Informationen in dieser Anleitung kann einen Brand oder eine Explosion verursachen und zu Sach- oder Personenschäden führen. Diese Sicherheitsanweisungen vor dem Gebrauch durchlesen. Diese Anweisungen zum Nachschlagen leicht zugänglich aufbewahren.

In diesen Anweisungen sowie auf dem Gerät selbst werden wichtige Sicherheitshinweise angegeben, die durchgelesen und stets beachtet werden müssen. Der Hersteller übernimmt keine Haftung für die Nichtbeachtung dieser Sicherheitshinweise, für unsachgemäße Verwendung des Geräts oder falsche Bedienungseinstellung.

⚠ **WARNUNG:** Wenn die Kochfeldoberfläche rissig ist, das Gerät nicht verwenden - Stromschlaggefahr.

⚠ **WARNUNG:** Brandgefahr: Lagern Sie nichts auf der Kochoberfläche.

⚠ **VORSICHT:** Das Garverfahren muss überwacht werden. Ein kurzes Garverfahren muss kontinuierlich überwacht werden.

⚠ **WARNUNG:** Unbeaufsichtigtes Garen mit Fett oder Öl auf einem Kochfeld kann gefährlich sein - Brandgefahr. Versuchen Sie NIEMALS, einen Brand mit Wasser zu löschen, sondern schalten Sie das Gerät aus und decken Sie die Flamme mit einem Deckel oder einer speziellen Brandschutzdecke ab.

⚠ Benutzen Sie die Kochmulde nicht als Arbeitsfläche oder Ablage. Kleidung oder andere brennbare Materialien vom Gerät fernhalten, bis alle Komponenten vollständig abgekühlt sind - Brandgefahr.

⚠ Babys und Kleinkinder (0-3 Jahre) müssen vom Gerät fern gehalten werden. Jüngere Kinder (3-8 Jahre) müssen vom Gerät fern gehalten werden, es sei denn, sie werden ständig beaufsichtigt. Dieses Gerät darf von

Kindern ab 8 Jahren sowie Personen mit herabgesetzten physischen, sensorischen oder geistigen Fähigkeiten und Mangel an Erfahrung und Kenntnissen nur unter Aufsicht oder nach ausreichender Einweisung durch eine für ihre Sicherheit verantwortliche Person verwendet werden. Kinder dürfen nicht mit dem Gerät spielen. Die Reinigung und Pflege des Gerätes darf von Kindern nicht ohne Aufsicht durchgeführt werden.

⚠ **VORSICHT!** Bei Glasbruch der Heizplatte: Schalten Sie sofort alle Brenner und elektrischen Heizelemente ab und trennen Sie das Gerät elektrisch von der Stromquelle; berühren Sie nicht die Geräteoberfläche; benutzen Sie das Gerät nicht.

Der Glasdeckel kann einbrechen, wenn er heiß wird. Schalten Sie alle Brenner und die elektrischen Platten aus, bevor Sie den Deckel schließen. Schließen Sie den Deckel nicht, wenn der Brenner zündet.

⚠ **WARNUNG:** Das Gerät und die zugänglichen Teile werden bei der Benutzung heiß. Das Berühren Heizelemente ist unbedingt zu vermeiden. Kinder unter 8 Jahren dürfen sich dem Gerät nur unter Aufsicht nähern.

⚠ Das Gargut darf nicht länger als eine Stunde vor oder nach der Zubereitung im oder auf dem Produkt bleiben.

ZULÄSSIGE NUTZUNG

⚠ **VORSICHT!** Das Gerät ist nicht für den Betrieb mit einer externen Schaltvorrichtung, z. B. einem Timer oder einer separaten Fernbedienung, ausgelegt.

⚠ Dieses Gerät ist für Haushaltsanwendungen und ähnliche Anwendungen konzipiert, zum Beispiel: Mitarbeiterküchen im Einzelhandel, in Büros oder in anderen Arbeitsbereichen; Gasthäuser; für Gäste in Hotels, Motels, Bed-and-Breakfast-Anwendungen und anderen Wohnumgebungen.

⚠ Jegliche andere Art der Nutzung (z.B. Aufheizen von Räumen) ist untersagt.

⚠ Dieses Gerät eignet sich nicht für den professionellen Einsatz. Das Gerät ist nicht für die Benutzung im Freien geeignet.

⚠ Verwenden Sie nur Töpfe und Pfannen, deren Bodendurchmesser dem des Brenners entspricht oder etwas größer ist (siehe spezielle Tabelle). Stellen Sie sicher, dass Kochgeschirr, das auf den Rosten steht, nicht über die Kante des Kochfelds hinaus steht.

⚠ Eine inkorrekte Verwendung der Gitter kann zur Beschädigung des Kochfelds führen: positionieren Sie die Gitter nicht falsch herum oder schieben Sie diese über das Kochfeld.

Die Brennerflamme darf sich nicht über den Pfannenrand hinaus ausbreiten. Bei einem Glaskeramik-Kochfeld keine Grillpfannen aus Gusseisen, Steingutgeschirr, sowie Töpfe und Pfannen aus Ton verwenden.

Verwenden Sie Folgendes nicht: Wärmeverteiler, wie z.B. Metallgitter oder ähnliches. Zwei Gasbrenner gleichzeitig für einen Behälter (z.B. Fischkessel).

Falls bestimmte örtliche Gegebenheiten des gelieferten Gases das Entzünden des Gasbrenners erschweren, empfehlen wir, den Vorgang mit Bedienknopf auf Einstellung kleine Flamme zu wiederholen.

Bei der Installation einer Dunstabzugshaube über dem Kochfeld entnehmen Sie den korrekten Abstand bitte der Gebrauchsanleitung der Abzugshaube.

⚠ Diese Anweisungen sind gültig, wenn das Ländersymbol auf dem Gerät erscheint. Wenn das Symbol nicht auf dem Gerät erscheint, muss auf die technischen Anweisungen verwiesen werden, die die notwendigen Anweisungen für die Änderung des Geräts an die Nutzungsbedingungen des Landes enthalten.

⚠ **VORSICHT:** Die Verwendung des Gaskochers führt zur Erzeugung von Wärme, Feuchtigkeit und Verbrennungsprodukten in dem Raum, in dem das Gerät installiert ist. Stellen Sie sicher, dass die Küche gut belüftet ist, insbesondere wenn das Gerät in Betrieb ist: Lassen Sie natürliche Lüftungsöffnungen offen oder installieren Sie eine mechanische Lüftungsanlage (mechanische Dunstabzugshaube). Bei längerem intensiven Gebrauch des Geräts kann eine zusätzliche Belüftung erforderlich sein, wie das Öffnen eines Fensters oder eine effektivere Belüftung, durch Erhöhung der Stärke der mechanischen Belüftung (sofern möglich).

⚠ Die Nichtbeachtung der Informationen in dieser Anleitung kann einen Brand oder eine Explosion verursachen und zu Sach- oder Personenschäden führen. Diese Sicherheitsanweisungen vor dem Gebrauch durchlesen. Diese Anweisungen zum Nachschlagen leicht zugänglich aufbewahren.

In diesen Anweisungen sowie auf dem Gerät selbst werden wichtige Sicherheitshinweise angegeben, die durchgelesen und stets beachtet werden müssen. Der Hersteller übernimmt keine Haftung für die Nichtbeachtung dieser Sicherheitshinweise, für unsachgemäße Verwendung des Geräts oder falsche Bedienungseinstellung.

⚠ **WARNUNG:** Wenn die Kochfeldoberfläche rissig ist, das Gerät nicht verwenden - Stromschlaggefahr.

⚠ **WARNUNG:** Brandgefahr: Lagern Sie nichts auf der Kochoberfläche.

⚠ **VORSICHT:** Das Garverfahren muss überwacht werden. Ein kurzes Garverfahren muss kontinuierlich überwacht werden.

⚠ **WARNUNG:** Unbeaufsichtigtes Garen mit Fett oder Ölauf einem Kochfeld kann gefährlich sein - Brandgefahr. Versuchen Sie NIEMALS, einen Brand mit Wasser zu löschen, sondern schalten Sie das Gerät aus und decken Sie die Flamme mit einem Deckel oder einer speziellen Brandschutzdecke ab.

⚠ Benutzen Sie die Kochmulde nicht als Arbeitsfläche oder Ablage. Kleidung oder andere brennbare Materialien vom Gerät fernhalten, bis alle Komponenten vollständig abgekühlt sind - Brandgefahr.

⚠ Babys und Kleinkinder (0-3 Jahre) müssen vom Gerät fern gehalten werden. Jüngere Kinder (3-8 Jahre) müssen vom Gerät fern gehalten werden, es sei denn, sie werden ständig beaufsichtigt. Dieses Gerät darf von

Kindern ab 8 Jahren sowie Personen mit herabgesetzten physischen, sensorischen oder geistigen Fähigkeiten und Mangel an Erfahrung und Kenntnissen nur unter Aufsicht oder nach ausreichender Einweisung durch eine für ihre Sicherheit verantwortliche Person verwendet werden. Kinder dürfen nicht mit dem Gerät spielen. Die Reinigung und Pflege des Gerätes darf von Kindern nicht ohne Aufsicht durchgeführt werden.

⚠ **VORSICHT!** Bei Glasbruch der Heizplatte: Schalten Sie sofort alle Brenner und elektrischen Heizelemente ab und trennen Sie das Gerät elektrisch von der Stromquelle; berühren Sie nicht die Geräteoberfläche; benutzen Sie das Gerät nicht.

Der Glasdeckel kann einbrechen, wenn er heiß wird. Schalten Sie alle Brenner und die elektrischen Platten aus, bevor Sie den Deckel schließen. Schließen Sie den Deckel nicht, wenn der Brenner zündet.

⚠ **WARNUNG:** Das Gerät und die zugänglichen Teile werden bei der Benutzung heiß. Das Berühren Heizelemente ist unbedingt zu vermeiden. Kinder unter 8 Jahren dürfen sich dem Gerät nur unter Aufsicht nähern.

⚠ Das Gargut darf nicht länger als eine Stunde vor oder nach der Zubereitung im oder auf dem Produkt bleiben.

ZULÄSSIGE NUTZUNG

⚠ **VORSICHT!** Das Gerät ist nicht für den Betrieb mit einer externen Schaltvorrichtung, z. B. einem Timer oder einer separaten Fernbedienung, ausgelegt.

⚠ Dieses Gerät ist für Haushaltsanwendungen und ähnliche Anwendungen konzipiert, zum Beispiel: Mitarbeiterküchen im Einzelhandel, in Büros oder in anderen Arbeitsbereichen; Gasthäuser; für Gäste in Hotels, Motels, Bed-and-Breakfast-Anwendungen und anderen Wohnumgebungen.

⚠ Jegliche andere Art der Nutzung (z.B. Aufheizen von Räumen) ist untersagt.

⚠ Dieses Gerät eignet sich nicht für den professionellen Einsatz. Das Gerät ist nicht für die Benutzung im Freien geeignet.

⚠ Verwenden Sie nur Töpfe und Pfannen, deren Bodendurchmesser dem des Brenners entspricht oder etwas größer ist (siehe spezielle Tabelle). Stellen Sie sicher, dass Kochgeschirr, das auf den Rosten steht, nicht über die Kante des Kochfelds hinaus steht.

⚠ Eine inkorrekte Verwendung der Gitter kann zur Beschädigung des Kochfelds führen: positionieren Sie die Gitter nicht falsch herum oder schieben Sie diese über das Kochfeld.

Die Brennerflamme darf sich nicht über den Pfannenrand hinaus ausbreiten. Bei einem Glaskeramik-Kochfeld keine Grillpfannen aus Gusseisen, Steingutgeschirr, sowie Töpfe und Pfannen aus Ton verwenden.

Verwenden Sie Folgendes nicht: Wärmeverteiler, wie z.B. Metallgitter oder ähnliches. Zwei Gasbrenner gleichzeitig für einen Behälter (z.B. Fischkessel).

Falls bestimmte örtliche Gegebenheiten des gelieferten Gases das Entzünden des Gasbrenners erschweren, empfehlen wir, den Vorgang mit Bedienknopf auf Einstellung kleine Flamme zu wiederholen.

Bei der Installation einer Dunstabzugshaube über dem Kochfeld entnehmen Sie den korrekten Abstand bitte der Gebrauchsanleitung der Abzugshaube.

Die schützenden Gummifüße auf den Gittern stellen eine Erstickungsgefahr für kleine Kinder dar. Stellen Sie nach dem Entfernen der Gitter sicher, dass alle Füße richtig angebracht sind.

INSTALLATION

⚠ Zum Transport und zur Installation des Gerätes sind zwei oder mehrere Personen erforderlich - Verletzungsgefahr. Schutzhandschuhe zum Auspacken und zur Installation verwenden - Risiko von Schnittverletzungen.

⚠ Die Elektro- und Gasanschlüsse müssen der örtlichen Bestimmung entsprechen.

⚠ Die Installation, einschließlich Wasseranschluss (falls vorhanden) sowie der elektrische Anschluss und eventuelle Reparaturen dürfen nur von einem qualifizierten Techniker durchgeführt werden. Reparieren Sie das Gerät nicht selbst und tauschen Sie keine Teile aus, wenn dies vom Bedienungshandbuch nicht ausdrücklich vorgesehen ist. Kinder vom Installationsort fern halten. Prüfen Sie das Gerät nach dem Auspacken auf Transportschäden. Bei auftretenden Problemen wenden Sie sich bitte an Ihren Händler oder den Kundenservice. Nach der Installation müssen Verpackungsabfälle (Kunststoff, Styroporsteile usw.) außerhalb der Reichweite von Kindern aufbewahrt werden - Erstickungsgefahr. Das Gerät vor Installationsarbeiten von der Stromversorgung trennen - Stromschlaggefahr. Während der Installation sicherstellen, das Netzkabel nicht mit dem Gerät selbst zu beschädigen - Brand- oder Stromschlaggefahr. Das Gerät erst starten, wenn die Installationsarbeiten abgeschlossen sind.

⚠ **WARNUNG:** Um das Gerät in allen weiteren Ländern sicher und korrekt zu nutzen, sind Änderungen am Gerät und an der Art der Installation unerlässlich.

⚠ Verwenden Sie für den in der Gebrauchsanweisung angegebenen Gasdruck geeignete Druckregler.

⚠ Der Raum muss mit einem Luftabsaugsystem ausgestattet sein, das Verbrennungsgase ableitet.

⚠ Der Raum muss außerdem eine korrekte Luftzirkulation ermöglichen, da Luft für eine normale Verbrennung benötigt wird. Der Luftstrom darf nicht weniger als 2 m³/h pro kW installierter Leistung betragen.

⚠ Das Umluftsystem kann Luft direkt von außen durch eine Leitung mit einem Innendurchmesser von mindestens 100 cm² aufnehmen; Die Öffnung darf nicht anfällig für Verstopfungen jeglicher Art sein.

⚠ Das System kann auch indirekt die Luft bereitstellen, die für die Verbrennung benötigt wird, d.h. aus benachbarten Räumen, die wie oben beschrieben mit Luftzirkulationsrohren ausgestattet sind. Diese Räume dürfen jedoch keine Gemeinschaftsräume, Schlafzimmer oder Räume sein, die eine Brandgefahr darstellen können.

⚠ Flüssiggas sinkt auf den Boden, da es schwerer als Luft ist. Daher müssen Räume, in denen sich Flüssiggasflaschen befinden, mit Entlüftungsöffnungen ausgestattet sein, damit im Falle eines Lecks das Gas entweichen kann. Daher dürfen Flüssiggasflaschen, ob teilweise oder vollständig gefüllt, nicht in unterirdischen Räumen oder Lagerräumen (Keller usw.) installiert oder gelagert werden. Es wird empfohlen, nur die im Raum

verwendete Flasche so zu lagern, dass sie keinen externen Wärmequelle ausgesetzt ist (Öfen, Kamine, Herde usw.), die die Temperatur der Flasche über 50 °C erhöhen könnte.

Sollten Sie beim Drehen der Bedienknöpfe der Gasbrenner Schwierigkeiten haben, kontaktieren Sie bitte den Kundenservice, um den Hahn des Gasbrenners auszutauschen, sofern dieser fehlerhaft ist.

Die Öffnungen, die zur Belüftung und Verteilung der Wärme verwendet werden, dürfen niemals abgedeckt werden.

⚠ Den Unterbauschrank vor dem Einschleiben des Geräts auf das Einbaumaß zurechtschneiden und alle Sägespäne und Schnittreste entfernen.

⚠ Wenn das Gerät nicht über einem Ofen installiert ist, muss eine Trennplatte (nicht inbegriffen) in dem Fach unter dem Gerät installiert werden.

GASANSCHLUSS

⚠ **WARNUNG:** Stellen Sie vor der Installation sicher, dass die örtlichen Verteilungsbedingungen (Gastyp und Gasdruck) und die Konfiguration des Geräts kompatibel sind.

⚠ Stellen Sie sicher, dass der Druck der Gasversorgung mit den in Tabelle angegebenen Werten übereinstimmt „Brenner- und Düsenspezifikationen“.

⚠ **WARNUNG:** Die Konfigurationsbedingungen dieses Geräts sind auf dem Etikett (oder Typenschild) angegeben.

⚠ **WARNUNG:** Dieses Gerät ist nicht an einen Entlüfter für Verbrennungsprodukte angeschlossen. Es muss gemäß den aktuellen Installationsrichtlinien installiert und angeschlossen werden. Besondere Aufmerksamkeit gilt den entsprechenden Anforderungen an die Belüftung.

⚠ Wenn das Gerät an Flüssiggas angeschlossen ist, muss die Stellschraube so fest wie möglich festgezogen werden.

⚠ **WICHTIG:** Wenn die Gasflasche oder der Gasbehälter installiert wird, muss diese/r korrekt eingesetzt sein (vertikale Ausrichtung).

⚠ **WARNUNG:** Dieser Arbeitsvorgang muss von einer qualifizierten Fachkraft durchgeführt werden.

⚠ Verwenden Sie nur flexible oder starre Metallleitungen für die Gasverbindung.

⚠ Anschluss an ein starres Rohr (Kupfer oder Stahl) Der Anschluss an das Gassystem muss so erfolgen, dass keine Belastung auf das Gerät ausgeübt wird. An der Geräteversorgungsrampe befindet sich ein verstellbarer L-förmiger Rohranschluss, der mit einer Dichtung ausgestattet ist, um Lecks zu verhindern. Die Dichtung muss immer nach dem Drehen des Rohranschlusses ersetzt werden (die Dichtung ist im Lieferumfang enthalten). Der Gasversorgungsrohranschluss ist ein zylindrischer 1/2 Gas Gewindestecker.

⚠ Anschließen eines flexiblen, fugenlosen Edelstahlrohrs an einen Gewindeanschluss Der Gasversorgungsrohranschluss ist ein zylindrischer 1/2 Gas Gewindestecker. Diese Rohre müssen so installiert werden, dass sie im komplett ausgefahrenen Zustand nie länger als 2000 mm sind. Wenn der Anschluss hergestellt wurde, stellen Sie sicher dass das flexible Metallrohr keine beweglichen Teile berührt und nicht zusammengedrückt wird. Verwenden Sie nur Rohre

und Dichtungen, die den geltenden nationalen Vorschriften entsprechen.

⚠ **WICHTIG:** Bei Verwendung einer Edelstahlleitung muss diese so eingebaut werden, dass keine beweglichen Möbelteile (z.B. Schublade) berührt werden. Sie muss durch einen Bereich ohne Hindernisse führen und entlang deren gesamten Länge geprüft werden können.

⚠ Das Gerät sollte in Übereinstimmung mit den geltenden nationalen Vorschriften an die Hauptgasversorgung oder die Gasflasche angeschlossen werden. Bevor Sie die Verbindung herstellen, vergewissern Sie sich, dass das Gerät mit der Gasversorgung kompatibel ist, die Sie verwenden möchten. Wenn dies nicht der Fall ist, befolgen Sie die Anweisungen im Abschnitt „Anpassung an unterschiedliche Gassorten“.

⚠ Prüfen Sie nach dem Anschluss an die Gasversorgung mit Seifenlauge auf Undichtigkeiten. Zünden Sie jetzt die Brenner und drehen Sie die Einstellknöpfe von der Maximalstufe 1* auf die Mindeststufe 2*, um die Stabilität der Flamme zu kontrollieren.

ANPASSUNG AN UNTERSCHIEDLICHE GASSORTEN

Dieser Arbeitsvorgang muss von einer qualifizierten Fachkraft durchgeführt werden).

⚠ Um das Gerät an eine Gassorte anzupassen, für die es nicht hergestellt wurde (auf dem Typenschild angegeben), befolgen Sie die entsprechenden Schritte in den Installationszeichnungen.

HINWEISE ZUR ELEKTRIK

⚠ **WICHTIG:** Informationen über Strom- und Spannungsaufnahme finden Sie auf dem Typenschild.

⚠ Das Netzkabel muss lang genug sein, um das Gerät nach der Montage im Küchenmöbel an die Hauptstromversorgung anzuschließen. Ziehen Sie nicht am Netzkabel.

⚠ Es muss gemäß den Verdrahtungsregeln möglich sein, den Netzstecker des Gerätes zu ziehen, oder es mit einem Trennschalter, welcher der Steckdose vorgeschaltet ist, auszuschalten. Das Gerät muss im Einklang mit den nationalen elektrischen Sicherheitsbestimmungen geerdet sein.

⚠ Verwenden Sie keine Verlängerungskabel, Mehrfachstecker oder Adapter. Nach der Installation dürfen Strom führende Teile für den Benutzer nicht mehr zugänglich sein. Das Gerät nicht in nassem Zustand oder barfuß verwenden. Das Gerät nicht verwenden, wenn das Netzkabel oder der Stecker beschädigt sind, wenn es nicht einwandfrei funktioniert, wenn es heruntergefallen ist oder in irgendeiner Weise beschädigt wurde.

⚠ Wenn das Netzkabel beschädigt ist, muss es aus Sicherheitsgründen vom Hersteller, von seinem Kundendienstvertreter oder einer ähnlich qualifizierten Fachkraft mit einem identischen Kabel ersetzt werden - Stromschlaggefahr.

REINIGUNG UND WARTUNG


⚠ **WARNUNG:** Vordem Durchführen von Wartungsarbeiten ist sicherzustellen, dass das Gerät ausgeschaltet und von

der Stromversorgung getrennt ist; Verwenden Sie niemals Dampfreiniger - Stromschlaggefahr.

⚠ Verwenden Sie keine Scheuermittel oder korrosiven Produkte, Reinigungsmittel auf Chlorbasis oder Topfreiniger.

⚠ Um eine Beschädigung der elektrischen Zündvorrichtung zu vermeiden, verwenden Sie diese nicht, wenn die Gasbrenner sich nicht in deren Gehäuse befinden.

ENTSORGUNG VON VERPACKUNGSMATERIALIEN


Das Verpackungsmaterial ist zu 100% wiederverwertbar und trägt das Recycling-Symbol .

Werfen Sie das Verpackungsmaterial deshalb nicht einfach weg, sondern entsorgen Sie es gemäß den geltenden örtlichen Vorschriften.

ENTSORGUNG VON HAUSHALTSGERÄTEN

Dieses Gerät wurde aus recycelbaren oder wiederverwendbaren Werkstoffen hergestellt. Entsorgen Sie das Gerät im Einklang mit den lokalen Vorschriften zur Abfallbeseitigung. Genauere Informationen zu Behandlung, Entsorgung und Recycling von elektrischen Haushaltsgeräten erhalten Sie bei Ihrer örtlichen Behörde, der Müllabfuhr oder dem Händler, bei dem Sie das Gerät gekauft haben. Dieses Gerät ist in Übereinstimmung mit der Europäischen Richtlinie 2012/19/EU über Elektro- und Elektronik-Altgeräte (WEEE) und den Verordnungen zur Entsorgung von Elektro- und Elektronikgeräten 2013 (in der jeweils gültigen Fassung) gekennzeichnet.

Durch eine vorschriftsmäßige Entsorgung tragen Sie zum Umweltschutz bei und vermeiden Unfallgefahren, die bei einer unsachgemäßen Entsorgung des Produktes entstehen können.

Das Symbol  auf dem Gerät bzw. auf dem beiliegenden Informationsmaterial weist darauf hin, dass dieses Gerät kein normaler Haushaltsabfall ist, sondern in einer Sammelstelle für Elektro- und Elektronik-Altgeräte entsorgt werden muss.

Für Deutschland regelt das Elektroggesetz die Rückgabe von Elektrogeräten noch weitreichender.

Altgeräte können kostenfrei im lokalen Wertstoff- oder Recyclinghof abgeben werden.

Das Gesetz sieht weitere kostenfreie Rückgabemöglichkeiten für Elektro- und Elektronik-Altgeräte im Handel vor:

- Für Produkte, die sie direkt bezogen haben, bieten wir die optionale Rücknahme ihres Altgerätes bei Anlieferung des neuen Gerätes durch den Spediteur.
- Rückgabe in Elektrofachmärkten mit einer Verkaufsfläche von mindestens 400m²
- Rückgabe in Lebensmittelmärkten mit einer Verkaufsfläche von mindestens 800m², wenn diese regelmäßig Elektrogeräte zum Kauf anbieten.
- Rücknahmen über den Versandhandel.

Für Haushaltsgroßgeräte mit einer Kantenlänge über 25cm gilt eine 1:1 Rücknahme – sie können bei Neukauf ein Altgerät der gleichen Art zurückgeben. Für Kleingeräte mit einer Kantenlänge bis 25cm besteht auch eine 0:1 Rücknahmepflicht – die Rückgabe von Geräten ist nicht an einen Neukauf gebunden.

Bitte löschen sie personenbezogene Daten auf geräte-internen Datenträgern, bevor sie das Gerät entsorgen. Sie sind verpflichtet Leuchtmittel; Batterien und Akkumulatoren getrennt zu entsorgen, sofern diese zerstörungsfrei aus dem Gerät entnehmbar sind.

ENERGIESPARTIPPS

Verwenden Sie nur Töpfe und Pfannen, deren Bodendurchmesser dem der Kochzone entspricht.

Verwenden Sie nur Töpfe und Pfannen mit flachem Boden.

Lassen Sie beim Kochen den Deckel möglichst auf dem Topf.

Einen Schnellkochtopf verwenden, um noch mehr Energie und Zeit zu sparen.

KONFORMITÄTSERKLÄRUNG

Dieses Gerät entspricht den Ökodesign-Anforderungen von Verordnung (EU) Nr. 66/2014 und den Ecodesign for Energy-Related Products and Energy Information (Amendment) (EU Exit) Regulations 2019 in Einklang mit der Europäischen Norm EN 30-2-1.

Gasart	Brennertyp	Düsenmar- keirung	Nennwärme- leistung kW	Nennverbrauch	Reduzierte Wärmeleistung kW		Gasdruck mbar		
					FR	BE	min.	nom.	max.
ERDGAS (Methangas) G20	Schneller (R)	128 B	3,00	286 l/h	0,60	0,80	17	20	25
	Halbschneller (SR)	97	1,65	157 l/h	0,35	0,45			
	Zusatzbrenner (AUX)	78 A	1,00	95 l/h	0,30	0,35			
	2 Kreise Brenner (DC)	149 H3	4,00	381 l/h	2,20	2,30			
FLÜSSIGES ERDÖLGAS (Butangas) G30	Schneller (R)	87	3,00	218 g/h	0,60		20	28-30	35
	Halbschneller (SR)	67	1,65	120 g/h	0,35				
	Zusatzbrenner (AUX)	50	1,00	73 g/h	0,30				
	2 Kreise Brenner (DC)	100	4,00	291 g/h	1,90				
FLÜSSIGES ERDÖLGAS (Propangas) G31	Schneller (R)	87	3,00	214 g/h	0,60		25	37	45
	Halbschneller (SR)	67	1,65	118 g/h	0,35				
	Zusatzbrenner (AUX)	50	1,00	71 g/h	0,30				
	2 Kreise Brenner (DC)	100	4,00	286 g/h	1,90				

Gasart	Modellkonfiguration 5 BRENNER	Nennwärmeleistung (kW)	Gesamt-Nennverbrauch	Erforderliche Luft (m ³) für die Verbrennung von 1m ³ Gas
G20 20 mbar	1R - 2SR - 1AUX - 1DC	11,30	1076 l/h	9,52
G30 28-30 mbar	1R - 2SR - 1AUX - 1DC	11,30	822 g/h	30,94
G31 37 mbar	1R - 2SR - 1AUX - 1DC	11,30	807 g/h	23,80

STROMVERSORGUNG: 220-240 V ~ 50-60 Hz -0,6 W

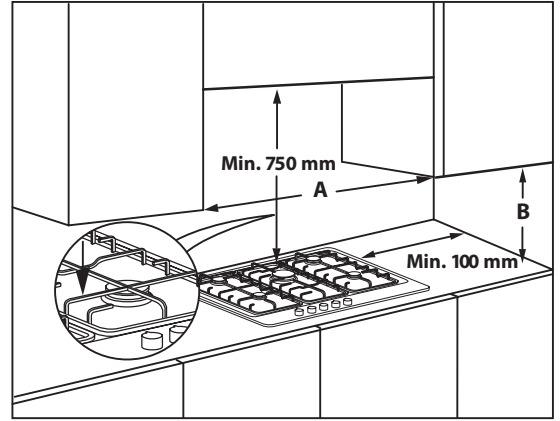
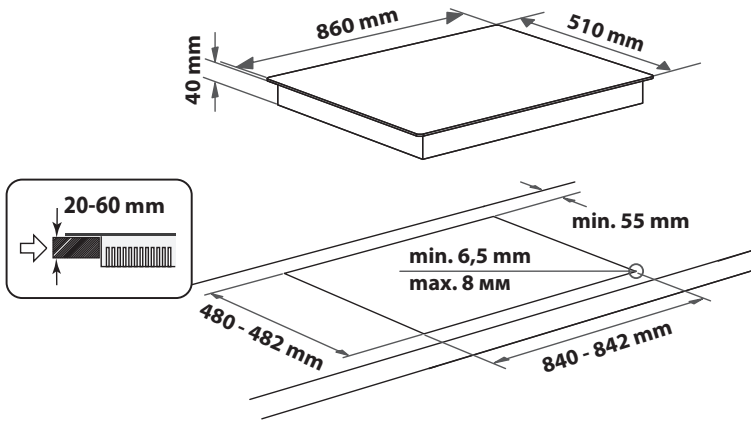


INSTALLATION (KLASSE 3)

TECHNISCHE INFORMATIONEN FÜR DEN INSTALLATEUR

- Verwenden Sie bei der Handhabung, Vorbereitung und Installation des Geräts Schutzhandschuhe.
- Dieses Gerät kann in eine Arbeitsfläche mit einer Stärke von 20 bis 60 mm integriert werden.
- Wenn sich unter dem Kochfeld kein Ofen befindet, setzen Sie eine Trennwand mit einer Oberfläche mit mindestens derselben Öffnung der Arbeitsfläche ein. Diese Trennwand darf höchstens 150 mm unter der Oberkante der Arbeitsoberfläche positioniert werden, jedoch nicht weniger als 20 mm von der Unterkante des Kochfelds. Falls Sie unter dem Kochfeld einen Backofen installieren möchten, stellen Sie sicher, dass dieser mit einem Kühlsystem ausgestattet ist.

ABMESSUNGEN UND EINZUHALTENDE ABSTÄNDE



HINWEIS: Wenn der Abstand „A“ zwischen den Wandschränken zwischen 600 mm und 730 mm beträgt, muss die Höhe „B“ mindestens 530 mm betragen. Wenn der Abstand „A“ zwischen den Wandschränken größer ist als die Breite der Kochzone, muss die Höhe „B“ mindestens 400 mm betragen. Beachten Sie bitte bei Installation einer Abzugshaube über der Kochzone die Abzugshaubenanleitung für den korrekten Abstand.

MONTAGE

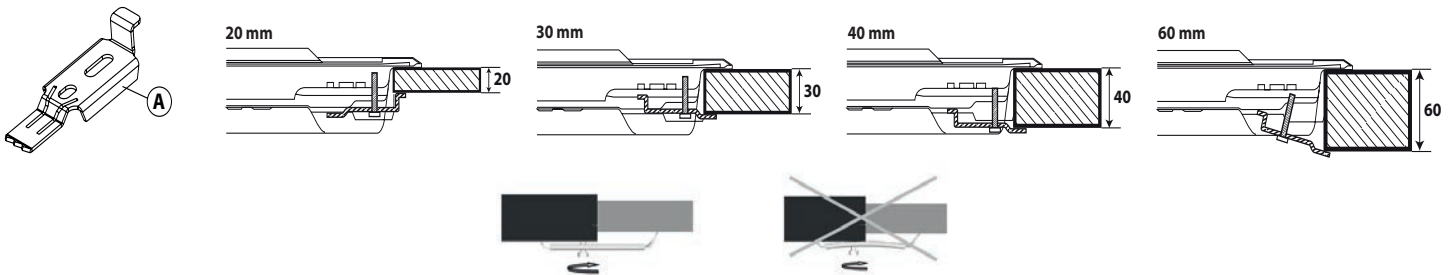
Setzen Sie nach sorgfältiger Reinigung der Oberfläche des Kochfeldes das beiliegende Dichtungsprofil wie in der Abbildung gezeigt ein.



Positionieren Sie das Kochfeld in der Öffnung in der Arbeitsfläche, die gemäß den in der Anleitung angegebenen Abmessungen angefertigt wurde.

HINWEIS: Das Stromkabel muss lang genug sein, um die Kochmulde nach oben herausziehen zu können.

Verwenden Sie zur Befestigung der Kochmulde die mitgelieferten Klammern (A). Setzen Sie die Klammern in die durch die Pfeile angezeigten Bohrungen ein und befestigen Sie dieselben mit den für die Stärke der Arbeitsplatte geeigneten Schrauben (siehe Maße im Folgenden).

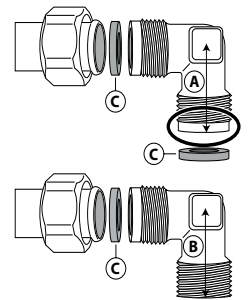


GASANSCHLUSS

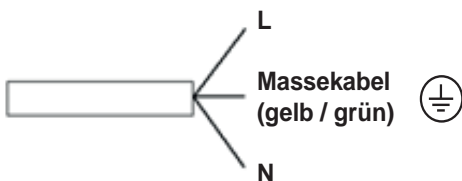
- Verbinden Sie das mitgelieferte Kniestück (A)* oder (B)* mit der Hauptleitung für den Kochfeldeinlass und fügen Sie die mitgelieferte Distanzscheibe (C) gemäß EN 549 ein.

* Verwenden Sie Kniestück (A) für Frankreich und Kniestück (B) für alle anderen Länder.

- Suchen Sie nach dem Anschluss an das Gasnetz mit Seifenwasser nach eventuellen undichten Stellen. Zünden Sie jetzt die Brenner und drehen Sie die Einstellknöpfe von der Maximalstufe 🔥 auf die Mindeststufe 🔥, um die Stabilität der Flamme zu kontrollieren.



ELEKTRISCHER ANSCHLUSS





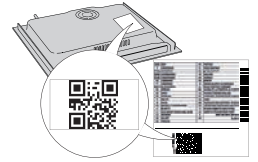
DANKE, DASS SIE SICH FÜR EIN WHIRLPOOL PRODUKT ENTSCHEIDEN HABEN

Für eine umfassendere Unterstützung melden Sie Ihr Produkt bitte unter www.whirlpool.eu/register.

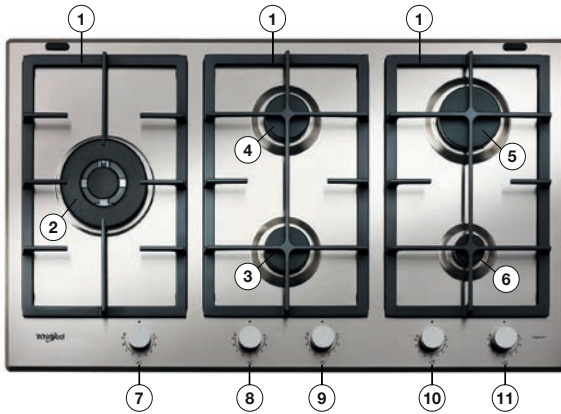


Lesen Sie vor Gebrauch des Geräts die Sicherheitshinweise aufmerksam durch.

BITTE SCANNEN SIE DEN QR-CODE AUF IHREM GERÄT, UM WEITERE INFORMATIONEN ZU ERHALTEN



PRODUKTBESCHREIBUNG



1. Ausbaubare Topfständergitter
2. 2 Kreise Brenner
3. Halbschneller Gasbrenner
4. Halbschneller Gasbrenner
5. Schneller Gasbrenner
6. Zusatzbrenner
7. Bedienknopf für 2 Kreise Brenner
8. Bedienknopf für halbschnellen Gasbrenner
9. Bedienknopf für halbschnellen Gasbrenner
10. Bedienknopf für schnellen Gasbrenner
11. Bedienknopf für Zusatzbrenner

Symbole

- Ausgefüllter Kreis ● Hahn geschlossen
- Große Flamme Maximale Öffnung/Versorgung und elektrische Zündung
- Kleine Flamme Mindestöffnung oder reduzierte Versorgung



TÄGLICHER GEBRAUCH

VERWENDUNG DES KOCHFELDS

! Die Brennerflamme darf sich nicht über den Pfannenrand hinaus ausbreiten.

ACHTUNG: wenn das Kochfeld verwendet wird, kann der gesamte Kochfeldbereich heiss werden.

- Drehen Sie zum Entzünden eines der Gasbrenner den entsprechenden Bedienknopf gegen den Uhrzeigersinn auf maximale Flammeneinstellung.
- Drücken Sie den Bedienknopf gegen das Bedienfeld, um den Gasbrenner zu entzünden.
- Halten Sie den Bedienknopf nach dem Entzünden des Gasbrenners ca. 5-10 Sekunden lang gedrückt, um eine korrekte Funktion des Geräts zu ermöglichen.
- Die Sicherheitsvorrichtung des Gasbrenners unterbricht die Gasversorgung zum Gasbrenner, wenn die Flamme unbeabsichtigt erlischt (aufgrund eines plötzlichen Luftzugs, einer Unterbrechung in der Gasversorgung, überkochender Flüssigkeiten usw.).
- **Der Bedienknopf darf maximal 15 Sekunden lang gedrückt werden. Wenn der Gasbrenner nach Ablauf dieser Zeit nicht entzündet bleibt, warten Sie bitte mindestens eine Minute, bevor Sie erneut versuchen, diesen zu entzünden.**

HINWEIS: Falls bestimmte örtliche Gegebenheiten des gelieferten Gases das Entzünden des Gasbrenners erschweren, empfehlen wir, den Vorgang mit Bedienknopf auf Einstellung kleine Flamme zu wiederholen.

Der Gasbrenner kann erlöschen, wenn der Bedienknopf freigegeben wird. Dies bedeutet, dass die Sicherheitsvorrichtung nicht ausreichend erwärmt wurde. Wiederholen Sie in diesem Fall die oben beschriebene Vorgehensweise. Sollte der Brenner ungewollterweise erlöschen, drehen Sie den Reglerknopf auf Position 'AUS' und versuchen ein erneutes Anzünden erst nach Verstreichen von mindestens 1 Minute.

PRAKTISCHE RATSCHLÄGE FÜR DIE VERWENDUNG DER GASBRENNER

Dieses Gerät verfügt über Gasbrenner mit unterschiedlichen Durchmesser. Befolgen Sie für bessere Brennerleistung bitte folgende Regeln:

- Verwenden Sie Töpfe und Pfannen, deren Böden dieselbe Breite aufweisen, wie die Gasbrenner bzw. etwas größer sind (siehe Tabelle rechts);
- Verwenden Sie nur Töpfe und Pfannen mit flachem Boden;
- Verwenden Sie die korrekte Menge Wasser zur Zubereitung von Lebensmitteln und decken Sie den Topf ab;
- Stellen Sie sicher, dass Töpfe auf den Gittern nicht über die Kochfeldkante hinaus ragen;
- Verwenden Sie für Pfannen mit Konvexböden (WOK) den mitgelieferten Unterstützungsrill, der nur auf dem 4-Ring-Brenner positioniert werden darf;
- Vermeiden Sie unbeabsichtigte Stöße mit Töpfen, Rosten oder anderen Küchengeräten;

- Lassen Sie eine leere Steakpfanne nicht länger als 5 Minuten auf dem eingeschalteten Herd stehen.

ACHTUNG: Eine inkorrekte Verwendung der Gitter kann zur Beschädigung des Kochfelds führen; positionieren Sie die Gitter nicht falsch herum oder schieben Sie diese über das Kochfeld.

BRENNER	TOPF Ø
2 Kreise Brenner	Von 24 bis 26 cm
Schneller	Von 24 bis 26 cm
Halbschneller	Von 16 bis 22 cm
Zusatzbrenner	Von 8 bis 14 cm

Verwenden Sie nicht Folgendes:

- Gusseiserne Grillpfannen, Kochsteine, Terracottatöpfe und -pfannen.
- Wärmeverteiler, wie z. B. Metallgitter oder ähnliches.
- Zwei Gasbrenner gleichzeitig für einen Behälter (z. B. Fischkessel).

EINSTELLUNG AUF UNTERSCHIEDLICHE GASSORTEN

! Der Arbeitsvorgang muss von einer qualifizierten Fachkraft durchgeführt werden.

Wenn das Gerät mit einer anderen Gassorten betrieben werden soll als der auf dem Typenschild und dem Informationsschild oben auf dem Kochfeld angegeben Sorte, sind die Düsen zu wechseln.

Entfernen Sie das Informationsschild und bewahren Sie es mit der Gebrauchsanleitung auf.

Verwenden Sie für den in der Gebrauchsanweisung angegebenen Gasdruck geeignete Druckregler.

- Die Gasdüse muss vom Kundenservice oder einer qualifizierten Fachkraft ausgetauscht werden.
- Nicht im Lieferumfang des Geräts enthaltene Gasdüsen müssen beim Kundenservice bestellt werden.
- Passen Sie die Mindesteinstellung der Hähne an.

HINWEIS: Bei Verwendung von LPG (G30/G31) muss die Mindest-Gaseinstellschraube so weit wie möglich festgezogen werden.

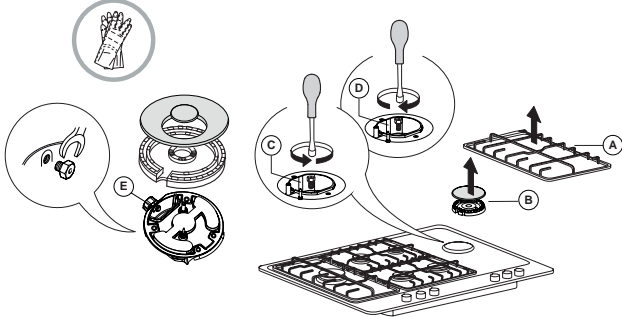
ACHTUNG: Sollten Sie beim Drehen der Bedienknöpfe der Gasbrenner Schwierigkeiten haben, kontaktieren Sie bitte den Kundenservice, um den Hahn des Gasbrenners auszutauschen, sofern dieser fehlerhaft ist.

ACHTUNG: Bei Einsatz eines Gaszylinders muss der Gaszylinder bzw. der Gasbehälter korrekt eingesetzt werden (vertikale Ausrichtung).

AUSTAUSCH DER DÜSEN (siehe düsentabelle in der Sicherheitshinweise)

⚠ Der Arbeitsvorgang muss von einer qualifizierten Fachkraft durchgeführt werden.

- Gitter (A) entfernen.
- Gasbrenner (B) herausziehen.
- Düse (C) mit einem Steckschlüssel geeigneter Größe abschrauben, auszutauschende Düse abschrauben.
- Diese durch eine für die neue Gassorte geeignete Düse ersetzen.
- Düse in (D) wieder zusammenbauen.
- Wenn Sie über einen Gasbrenner mit mehreren Kronen verfügen, verwenden Sie zum Austauschen der Düse (E) einen Schraubenschlüssel.



Denken Sie vor der Installation des Kochfelds daran, das mit den Düsen gelieferte Gaskalibrierungsschild so anzubringen, dass es die bestehenden Informationen bezüglich der Gaskalibrierung umfasst.

MINDESTGASEINSTELLUNG DER HÄHNE ANPASSEN

⚠ Der Arbeitsvorgang muss von einer qualifizierten Fachkraft durchgeführt werden.

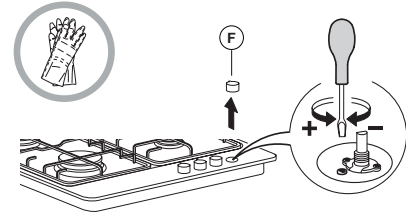
Die Einstellung muss mit Hahn in Mindestgaseinstellungsposition (kleine Flamme) erfolgen:

Die Hauptluft der Gasbrenner muss nicht eingestellt werden.

Um eine korrekte Anpassung der Mindesteinstellung sicherzustellen, entfernen Sie den Bedienknopf (F) und gehen Sie folgendermaßen vor:

- Ziehen Sie die Schraube zur Verringerung der Flammenhöhe (-) fest.
- Lösen Sie die Schraube zur Erhöhung der Flammenhöhe (+).

Entzünden Sie an dieser Stelle die Gasbrenner und drehen Sie die Bedienknöpfe von der Maximalstellung zur Mindeststellung, um die Flammenstabilität zu prüfen.



Nach Abschluss der Einstellung dichten Sie mit Siegelwachs oder ähnlichem Material ab.

GARTABELLE

STAND	GARMETHODE/-TYP (EMPFOHLEN FÜR)	KOCHTIPPS
1-2	WARMHALTEN	Ideal zum Zerlassen von Butter, vorsichtigen Schmelzen von Schokolade im Wasserbad, Auftauen von kleinen Portionen, Quellen von Risotto.
	SCHONENDES GAREN	
3-4	KÖCHELN	Ideal zum langsamen Kochen (Reis, Saucen, Braten, Fisch) in Flüssigkeit (Wasser, Wein, Brühe) und zum Quellen von Nudeln unter schonendem Sieden.
	SCHMOREN	
5-6	ROESTEN	Ideal zum Dünsten, Schmoren von Gemüse, Garen über einen längeren Zeitraum, Vorheizen von Zubehörteilen, sämig Garen.
	BRATEN	
7-8	RÜHRBRATEN	Ideal zum Anbraten, Ankochen, schnellen Aufkochen von Flüssigkeiten, Braten von Tiefkühlkost, Grillen von Fleisch und Fisch, sprudelnden Kochen.
	GRILLEN	
9	SCHNELLES ERWÄRMEN	Ideal zum schnellen Erwärmen von Speisen oder zum Aufkochen von Flüssigkeiten (Wasser).

REINIGUNG UND WARTUNG

⚠ Trennen Sie das Gerät von der Stromversorgung.

KOCHFELD-OBERFLÄCHE REINIGEN

- Alle Bauteile aus Emaille und Glas sind mit warmem Wasser und Neutralreiniger zu reinigen.
- Edelstahloberflächen können durch kalkhaltiges Wasser oder aggressive Reinigungsmittel verschmutzt werden, wenn diese zu lang miteinander in Kontakt sind. Jegliche verschütteten Lebensmittel (Wasser, Soße, Kaffee usw.) müssen vor dem Antrocknen entfernt werden.
- Reinigen Sie diese mit warmem Wasser und Neutralreiniger und trocknen Sie sie anschließend mit einem weichen Lappen oder Fensterleder ab. Entfernen Sie eingetrocknete Verschmutzungen mit besonderen Reinigern für Edelstahloberflächen.

HINWEIS: Reinigen Sie Edelstahl nur mit einem weichen Lappen oder Schwamm.

- Verwenden Sie keine Scheuermittel oder korrosiven Produkte, Reinigungsmittel auf Chlorbasis oder Topfreiniger.
- Verwenden Sie keine Dampfreiniger.
- Verwenden Sie keine entflammenden Produkte.
- Belassen Sie keine säure- oder laugenhaltigen Substanzen, wie z. B. Essig, Senf, Salz, Zucker oder Zitronensaft, auf dem Kochfeld.

KOCHFELDTEILE REINIGEN

- Reinigen Sie Teile aus Glas und Emaille nur mit einem weichen Lappen oder Schwamm.
- Gitter, Brennerdeckel und Gasbrenner können zur Reinigung ausgebaut werden.
- Reinigen Sie diese von Hand mit warmem Wasser und einem nicht scheuernden Reinigungsmittel. Entfernen Sie dabei jegliche Lebensmittelreste und prüfen Sie, ob Brenneröffnungen verstopft sind.
- Abspülen und abtrocknen.
- **Die Gusseisengitter können im Geschirrspüler gereinigt werden. Entfernen Sie angebrannte Lebensmittel, bevor Sie die Gitter in den Unterkorb des Geschirrspülers geben.**
- Bauen Sie die Gasbrenner und Brennerdeckel wieder korrekt in die entsprechenden Gehäuse ein.
- Stellen Sie beim Ersetzen der Gitter sicher, dass der Topfständerbereich mit dem Gasbrenner ausgerichtet ist.
- Bei Modellen mit elektrischen Zündsteckern und Sicherheitsvorrichtung muss das Steckerende sorgfältig gereinigt werden, um eine korrekte Funktion sicherzustellen. Prüfen Sie diese Bauteile häufig und reinigen Sie sie ggf. mit einem feuchten Lappen. Festgebackene Speisereste müssen mit einem Zahnstocher oder einer Nadel entfernt werden.

HINWEIS: Um eine Beschädigung der elektrischen Zündvorrichtung zu vermeiden, verwenden Sie diese nicht, wenn die Gasbrenner sich nicht in deren Gehäuse befinden.

Wenn das Kochfeld nicht korrekt funktioniert, ziehen Sie bitte zuerst „Störung - was tun?“ zu Rate, bevor Sie den Kundenservice anrufen.

1. Der Gasbrenner entzündet sich nicht oder die Flamme ist ungleichmäßig.

Prüfen Sie Folgendes:

- Die Gas- bzw. Elektroversorgung ist nicht abgeschaltet und insbesondere der Gasversorgungshahn ist geöffnet.
- Der Gaszylinder (Flüssiggas) ist nicht leer.
- Die Gasbrenneröffnungen sind nicht verstopft.
- Das Steckerende ist sauber.
- Alle Gasbrennerenteile sind korrekt positioniert.
- Im Bereich des Kochfelds ist kein Luftzug vorhanden.

2. Der Gasbrenner bleibt nicht entzündet.

Prüfen Sie Folgendes:

- Beim Entzünden des Gasbrenners wurde der Bedienknopf ausreichend lang gedrückt, um die Schutzvorrichtung zu aktivieren;
- Die Gasbrenneröffnungen sind nicht im Bereich des Thermoelements verstopft;
- Das Ende der Sicherheitsvorrichtung ist sauber;
- Die Mindestgaseinstellung ist korrekt (siehe entsprechenden Abschnitt).

3. Die Behälter sind nicht stabil.

Prüfen Sie Folgendes:

- Der Behälterboden ist vollständig flach;
- Der Behälter ist auf dem Gasbrenner zentriert;
- Die Gitter wurden nicht ausgetauscht oder inkorrekt positioniert.

Falls die Störung nach den vorstehend beschriebenen Kontrollen weiter besteht, rufen Sie bitte die nächstliegende Kundendienststelle an.

KUNDENDIENST

Für eine umfassendere Unterstützung melden Sie Ihr Produkt bitte unter www.whirlpool.eu/register an.

BEVOR SIE DEN KUNDENDIENST RUFEN:

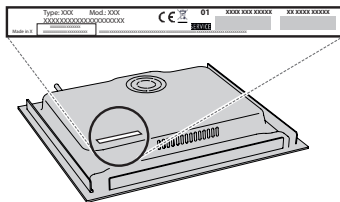
1. Versuchen Sie zuerst, die Störung anhand der in **LÖSEN VON PROBLEMEN** beschriebenen Ratschläge selbst zu beheben.
2. Schalten Sie das Gerät aus und wieder ein, um festzustellen, ob die Störung behoben ist.

FALLS DIE STÖRUNG NACH DEN VORSTEHEND BESCHRIEBENEN KONTROLLEN WEITER BESTEHT, WENDEN SIE SICH BITTE AN DEN NÄCHSTEN KUNDENSERVICE.

Rufen Sie die Nummer in dem Garantieheft an oder folgen Sie den Anweisungen auf der Internetseite www.whirlpool.eu.

Wenn Sie den Kundendienst kontaktieren, immer die folgenden Angaben machen:

- Eine kurze Beschreibung der Störung,
- Gerätetyp und Modellnummer;



- Seriennummer (Nummer nach dem Wort „SN“ auf dem Typenschild unter dem Gerät). Die Seriennummer finden Sie auch in der Dokumentation;



Mod. **xxx xxx**
Ind.C. **xxxx xxxx xxxx**
SN: **xxxx xxxx xxxx**
Prod.N. **xxxx xxxx xxxx**

- Ihre vollständige Anschrift,
- Ihre Telefonnummer.

Im Reparaturfall wenden Sie sich bitte an den autorisierten Kundenservice (nur dann wird garantiert, dass Originalersatzteile verwendet werden und eine fachgerechte Reparatur durchgeführt wird).

Richtlinien, Standarddokumentation und zusätzliche Produktinformationen finden Sie unter:

- Verwenden Sie den QR-Code an Ihrem Gerät;
- Besuchen Sie unsere Website docs.whirlpool.eu/docs;
- Alternativ können Sie **unseren Kundendienst kontaktieren** (siehe Telefonnummer im Garantieheft). Wird unser Kundendienst kontaktiert, bitte die Codes auf dem Typenschild des Produkts angeben.



Die schützenden GummifüÙe auf den Gittern stellen eine Erstickungsgefahr für kleine Kinder dar. Stellen Sie nach dem Entfernen der Gitter sicher, dass alle FüÙe richtig angebracht sind.

INSTALLATION

⚠ Zum Transport und zur Installation des Gerätes sind zwei oder mehrere Personen erforderlich - Verletzungsgefahr. Schutzhandschuhe zum Auspacken und zur Installation verwenden - Risiko von Schnittverletzungen.

⚠ Die Elektro- und Gasanschlüsse müssen der örtlichen Bestimmung entsprechen.

⚠ Die Installation, einschließlich Wasseranschluss (falls vorhanden) sowie der elektrische Anschluss und eventuelle Reparaturen dürfen nur von einem qualifizierten Techniker durchgeführt werden. Reparieren Sie das Gerät nicht selbst und tauschen Sie keine Teile aus, wenn dies vom Bedienungshandbuch nicht ausdrücklich vorgesehen ist. Kinder vom Installationsort fern halten. Prüfen Sie das Gerät nach dem Auspacken auf Transportschäden. Bei auftretenden Problemen wenden Sie sich bitte an Ihren Händler oder den Kundenservice. Nach der Installation müssen Verpackungsabfälle (Kunststoff, Styroporteile usw.) außerhalb der Reichweite von Kindern aufbewahrt werden - Erstickungsgefahr. Das Gerät vor Installationsarbeiten von der Stromversorgung trennen - Stromschlaggefahr. Während der Installation sicherstellen, das Netzkabel nicht mit dem Gerät selbst zu beschädigen - Brand- oder Stromschlaggefahr. Das Gerät erst starten, wenn die Installationsarbeiten abgeschlossen sind.

⚠ **WARNUNG:** Um das Gerät in allen weiteren Ländern sicher und korrekt zu nutzen, sind Änderungen am Gerät und an der Art der Installation unerlässlich.

⚠ Verwenden Sie für den in der Gebrauchsanweisung angegebenen Gasdruck geeignete Druckregler.

⚠ Der Raum muss mit einem Luftabsaugsystem ausgestattet sein, das Verbrennungsgase ableitet.

⚠ Der Raum muss außerdem eine korrekte Luftzirkulation ermöglichen, da Luft für eine normale Verbrennung benötigt wird. Der Luftstrom darf nicht weniger als 2 m³/h pro kW installierter Leistung betragen.

⚠ Das Umluftsystem kann Luft direkt von außen durch eine Leitung mit einem Innendurchmesser von mindestens 100 cm² aufnehmen; Die Öffnung darf nicht anfällig für Verstopfungen jeglicher Art sein.

⚠ Das System kann auch indirekt die Luft bereitstellen, die für die Verbrennung benötigt wird, d.h. aus benachbarten Räumen, die wie oben beschrieben mit Luftzirkulationsrohren ausgestattet sind. Diese Räume dürfen jedoch keine Gemeinschaftsräume, Schlafzimmer oder Räume sein, die eine Brandgefahr darstellen können.

⚠ Flüssiggas sinkt auf den Boden, da es schwerer als Luft ist. Daher müssen Räume, in denen sich Flüssiggasflaschen befinden, mit Entlüftungsöffnungen ausgestattet sein, damit im Falle eines Lecks das Gas entweichen kann. Daher dürfen Flüssiggasflaschen, ob teilweise oder vollständig gefüllt, nicht in unterirdischen Räumen oder Lagerräumen (Keller usw.) installiert oder gelagert werden. Es wird empfohlen, nur die im Raum

verwendete Flasche so zu lagern, dass sie keinen externen Wärmequelle ausgesetzt ist (Öfen, Kamine, Herde usw.), die die Temperatur der Flasche über 50 °C erhöhen könnte.

Sollten Sie beim Drehen der Bedienknöpfe der Gasbrenner Schwierigkeiten haben, kontaktieren Sie bitte den Kundenservice, um den Hahn des Gasbrenners auszutauschen, sofern dieser fehlerhaft ist.

Die Öffnungen, die zur Belüftung und Verteilung der Wärme verwendet werden, dürfen niemals abgedeckt werden.

⚠ Den Unterbauschrank vor dem Einschleiben des Geräts auf das Einbaumaß zurechtschneiden und alle Sägespäne und Schnittreste entfernen.

⚠ Wenn das Gerät nicht über einem Ofen installiert ist, muss eine Trennplatte (nicht inbegriffen) in dem Fach unter dem Gerät installiert werden.

GASANSCHLUSS

⚠ **WARNUNG:** Stellen Sie vor der Installation sicher, dass die örtlichen Verteilungsbedingungen (Gastyp und Gasdruck) und die Konfiguration des Geräts kompatibel sind.

⚠ Stellen Sie sicher, dass der Druck der Gasversorgung mit den in Tabelle angegebenen Werten übereinstimmt „Brenner- und Düsenspezifikationen“.

⚠ **WARNUNG:** Die Konfigurationsbedingungen dieses Geräts sind auf dem Etikett (oder Typenschild) angegeben.

⚠ **WARNUNG:** Dieses Gerät ist nicht an einen Entlüfter für Verbrennungsprodukte angeschlossen. Es muss gemäß den aktuellen Installationsrichtlinien installiert und angeschlossen werden. Besondere Aufmerksamkeit gilt den entsprechenden Anforderungen an die Belüftung.

⚠ Wenn das Gerät an Flüssiggas angeschlossen ist, muss die Stellschraube so fest wie möglich festgezogen werden.

⚠ **WICHTIG:** Wenn die Gasflasche oder der Gasbehälter installiert wird, muss diese/r korrekt eingesetzt sein (vertikale Ausrichtung).

⚠ **WARNUNG:** Dieser Arbeitsvorgang muss von einer qualifizierten Fachkraft durchgeführt werden.

⚠ Verwenden Sie nur flexible oder starre Metallleitungen für die Gasverbindung.

⚠ Anschluss an ein starres Rohr (Kupfer oder Stahl) Der Anschluss an das Gassystem muss so erfolgen, dass keine Belastung auf das Gerät ausgeübt wird. An der Geräteversorgungsrampe befindet sich ein verstellbarer L-förmiger Rohranschluss, der mit einer Dichtung ausgestattet ist, um Lecks zu verhindern. Die Dichtung muss immer nach dem Drehen des Rohranschlusses ersetzt werden (die Dichtung ist im Lieferumfang enthalten). Der Gasversorgungsrohranschluss ist ein zylindrischer 1/2 Gas Gewindestecker.

⚠ Anschließen eines flexiblen, fugenlosen Edelstahlrohrs an einen Gewindeanschluss Der Gasversorgungsrohranschluss ist ein zylindrischer 1/2 Gas Gewindestecker. Diese Rohre müssen so installiert werden, dass sie im komplett ausgefahrenen Zustand nie länger als 2000 mm sind. Wenn der Anschluss hergestellt wurde, stellen Sie sicher dass das flexible Metallrohr keine beweglichen Teile berührt und nicht zusammengedrückt wird. Verwenden Sie nur Rohre

und Dichtungen, die den geltenden nationalen Vorschriften entsprechen.

⚠ **WICHTIG:** Bei Verwendung einer Edelstahlleitung muss diese so eingebaut werden, dass keine beweglichen Möbelteile (z.B. Schublade) berührt werden. Sie muss durch einen Bereich ohne Hindernisse führen und entlang deren gesamten Länge geprüft werden können.

⚠ Das Gerät sollte in Übereinstimmung mit den geltenden nationalen Vorschriften an die Hauptgasversorgung oder die Gasflasche angeschlossen werden. Bevor Sie die Verbindung herstellen, vergewissern Sie sich, dass das Gerät mit der Gasversorgung kompatibel ist, die Sie verwenden möchten. Wenn dies nicht der Fall ist, befolgen Sie die Anweisungen im Abschnitt „Anpassung an unterschiedliche Gassorten“.

⚠ Prüfen Sie nach dem Anschluss an die Gasversorgung mit Seifenlauge auf Undichtigkeiten. Zünden Sie jetzt die Brenner und drehen Sie die Einstellknöpfe von der Maximalstufe 1* auf die Mindeststufe 2*, um die Stabilität der Flamme zu kontrollieren.

ANPASSUNG AN UNTERSCHIEDLICHE GASSORTEN

Dieser Arbeitsvorgang muss von einer qualifizierten Fachkraft durchgeführt werden).

⚠ Um das Gerät an eine Gassorte anzupassen, für die es nicht hergestellt wurde (auf dem Typenschild angegeben), befolgen Sie die entsprechenden Schritte in den Installationszeichnungen.

HINWEISE ZUR ELEKTRIK

⚠ **WICHTIG:** Informationen über Strom- und Spannungsaufnahme finden Sie auf dem Typenschild.

⚠ Das Netzkabel muss lang genug sein, um das Gerät nach der Montage im Küchenmöbel an die Hauptstromversorgung anzuschließen. Ziehen Sie nicht am Netzkabel.

⚠ Es muss gemäß den Verdrahtungsregeln möglich sein, den Netzstecker des Gerätes zu ziehen, oder es mit einem Trennschalter, welcher der Steckdose vorgeschaltet ist, auszuschalten. Das Gerät muss im Einklang mit den nationalen elektrischen Sicherheitsbestimmungen geerdet sein.

⚠ Verwenden Sie keine Verlängerungskabel, Mehrfachstecker oder Adapter. Nach der Installation dürfen Strom führende Teile für den Benutzer nicht mehr zugänglich sein. Das Gerät nicht in nassem Zustand oder barfuß verwenden. Das Gerät nicht verwenden, wenn das Netzkabel oder der Stecker beschädigt sind, wenn es nicht einwandfrei funktioniert, wenn es heruntergefallen ist oder in irgendeiner Weise beschädigt wurde.

⚠ Wenn das Netzkabel beschädigt ist, muss es aus Sicherheitsgründen vom Hersteller, von seinem Kundendienstvertreter oder einer ähnlich qualifizierten Fachkraft mit einem identischen Kabel ersetzt werden - Stromschlaggefahr.

REINIGUNG UND WARTUNG


⚠ **WARNUNG:** Vordem Durchführen von Wartungsarbeiten ist sicherzustellen, dass das Gerät ausgeschaltet und von

der Stromversorgung getrennt ist; Verwenden Sie niemals Dampfreiniger - Stromschlaggefahr.

⚠ Verwenden Sie keine Scheuermittel oder korrosiven Produkte, Reinigungsmittel auf Chlorbasis oder Topfreiniger.

⚠ Um eine Beschädigung der elektrischen Zündvorrichtung zu vermeiden, verwenden Sie diese nicht, wenn die Gasbrenner sich nicht in deren Gehäuse befinden.

ENTSORGUNG VON VERPACKUNGSMATERIALIEN


Das Verpackungsmaterial ist zu 100% wiederverwertbar und trägt das Recycling-Symbol .

Werfen Sie das Verpackungsmaterial deshalb nicht einfach weg, sondern entsorgen Sie es gemäß den geltenden örtlichen Vorschriften.

ENTSORGUNG VON HAUSHALTSGERÄTEN

Dieses Gerät wurde aus recycelbaren oder wiederverwendbaren Werkstoffen hergestellt. Entsorgen Sie das Gerät im Einklang mit den lokalen Vorschriften zur Abfallbeseitigung. Genauere Informationen zu Behandlung, Entsorgung und Recycling von elektrischen Haushaltsgeräten erhalten Sie bei Ihrer örtlichen Behörde, der Müllabfuhr oder dem Händler, bei dem Sie das Gerät gekauft haben. Dieses Gerät ist in Übereinstimmung mit der Europäischen Richtlinie 2012/19/EU über Elektro- und Elektronik-Altgeräte (WEEE) und den Verordnungen zur Entsorgung von Elektro- und Elektronikgeräten 2013 (in der jeweils gültigen Fassung) gekennzeichnet.

Durch eine vorschriftsmäßige Entsorgung tragen Sie zum Umweltschutz bei und vermeiden Unfallgefahren, die bei einer unsachgemäßen Entsorgung des Produktes entstehen können.

Das Symbol  auf dem Gerät bzw. auf dem beiliegenden Informationsmaterial weist darauf hin, dass dieses Gerät kein normaler Haushaltsabfall ist, sondern in einer Sammelstelle für Elektro- und Elektronik-Altgeräte entsorgt werden muss.

Für Deutschland regelt das Elektroggesetz die Rückgabe von Elektrogeräten noch weitreichender.

Altgeräte können kostenfrei im lokalen Wertstoff- oder Recyclinghof abgegeben werden.

Das Gesetz sieht weitere kostenfreie Rückgabemöglichkeiten für Elektro- und Elektronik-Altgeräte im Handel vor:

- Für Produkte, die sie direkt bezogen haben, bieten wir die optionale Rücknahme ihres Altgerätes bei Anlieferung des neuen Gerätes durch den Spediteur.
- Rückgabe in Elektrofachmärkten mit einer Verkaufsfläche von mindestens 400m²
- Rückgabe in Lebensmittelmärkten mit einer Verkaufsfläche von mindestens 800m², wenn diese regelmäßig Elektrogeräte zum Kauf anbieten.
- Rücknahmen über den Versandhandel.

Für Haushaltsgroßgeräte mit einer Kantenlänge über 25cm gilt eine 1:1 Rücknahme – sie können bei Neukauf ein Altgerät der gleichen Art zurückgeben. Für Kleingeräte mit einer Kantenlänge bis 25cm besteht auch eine 0:1 Rücknahmepflicht – die Rückgabe von Geräten ist nicht an einen Neukauf gebunden.

Bitte löschen sie personenbezogene Daten auf geräte-internen Datenträgern, bevor sie das Gerät entsorgen. Sie sind verpflichtet Leuchtmittel; Batterien und Akkumulatoren getrennt zu entsorgen, sofern diese zerstörungsfrei aus dem Gerät entnehmbar sind.

ENERGIESPARTIPPS

Verwenden Sie nur Töpfe und Pfannen, deren Bodendurchmesser dem der Kochzone entspricht.

Verwenden Sie nur Töpfe und Pfannen mit flachem Boden.

Lassen Sie beim Kochen den Deckel möglichst auf dem Topf.

Einen Schnellkochtopf verwenden, um noch mehr Energie und Zeit zu sparen.

KONFORMITÄTSERKLÄRUNG

Dieses Gerät entspricht den Ökodesign-Anforderungen von Verordnung (EU) Nr. 66/2014 und den Ecodesign for Energy-Related Products and Energy Information (Amendment) (EU Exit) Regulations 2019 in Einklang mit der Europäischen Norm EN 30-2-1.

Gasart	Brennertyp	Düsenmar- keirung	Nennwärme- leistung kW	Nennverbrauch	Reduzierte Wärmeleistung kW		Gasdruck mbar		
					FR	BE	min.	nom.	max.
ERDGAS (Methangas) G20	Schneller (R)	128 B	3,00	286 l/h	0,60	0,80	17	20	25
	Halbschneller (SR)	97	1,65	157 l/h	0,35	0,45			
	Zusatzbrenner (AUX)	78 A	1,00	95 l/h	0,30	0,35			
	2 Kreise Brenner (DC)	149 H3	4,00	381 l/h	2,20	2,30			
FLÜSSIGES ERDÖLGAS (Butangas) G30	Schneller (R)	87	3,00	218 g/h	0,60		20	28-30	35
	Halbschneller (SR)	67	1,65	120 g/h	0,35				
	Zusatzbrenner (AUX)	50	1,00	73 g/h	0,30				
	2 Kreise Brenner (DC)	100	4,00	291 g/h	1,90				
FLÜSSIGES ERDÖLGAS (Propangas) G31	Schneller (R)	87	3,00	214 g/h	0,60		25	37	45
	Halbschneller (SR)	67	1,65	118 g/h	0,35				
	Zusatzbrenner (AUX)	50	1,00	71 g/h	0,30				
	2 Kreise Brenner (DC)	100	4,00	286 g/h	1,90				

Gasart	Modellkonfiguration 5 BRENNER	Nennwärmeleistung (kW)	Gesamt-Nennverbrauch	Erforderliche Luft (m ³) für die Verbrennung von 1m ³ Gas
G20 20 mbar	1R - 2SR - 1AUX - 1DC	11,30	1076 l/h	9,52
G30 28-30 mbar	1R - 2SR - 1AUX - 1DC	11,30	822 g/h	30,94
G31 37 mbar	1R - 2SR - 1AUX - 1DC	11,30	807 g/h	23,80

STROMVERSORGUNG: 220-240 V ~ 50-60 Hz -0,6 W

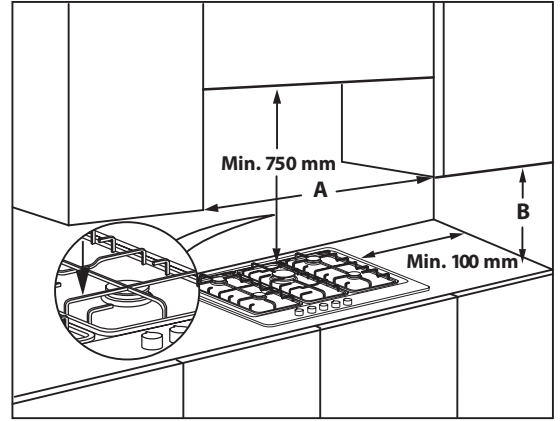
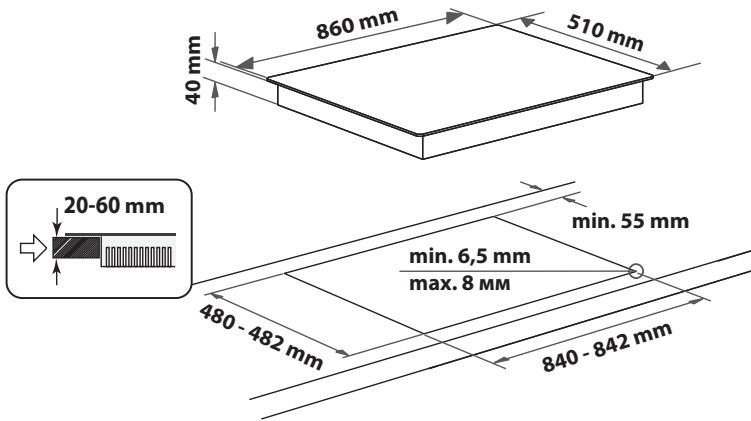


INSTALLATION (KLASSE 3)

TECHNISCHE INFORMATIONEN FÜR DEN INSTALLATEUR

- Verwenden Sie bei der Handhabung, Vorbereitung und Installation des Geräts Schutzhandschuhe.
- Dieses Gerät kann in eine Arbeitsfläche mit einer Stärke von 20 bis 60 mm integriert werden.
- Wenn sich unter dem Kochfeld kein Ofen befindet, setzen Sie eine Trennwand mit einer Oberfläche mit mindestens derselben Öffnung der Arbeitsfläche ein. Diese Trennwand darf höchstens 150 mm unter der Oberkante der Arbeitsoberfläche positioniert werden, jedoch nicht weniger als 20 mm von der Unterkante des Kochfelds. Falls Sie unter dem Kochfeld einen Backofen installieren möchten, stellen Sie sicher, dass dieser mit einem Kühlsystem ausgestattet ist.

ABMESSUNGEN UND EINZUHALTENDE ABSTÄNDE



HINWEIS: Wenn der Abstand „A“ zwischen den Wandschränken zwischen 600 mm und 730 mm beträgt, muss die Höhe „B“ mindestens 530 mm betragen. Wenn der Abstand „A“ zwischen den Wandschränken größer ist als die Breite der Kochzone, muss die Höhe „B“ mindestens 400 mm betragen. Beachten Sie bitte bei Installation einer Abzugshaube über der Kochzone die Abzugshaubenanleitung für den korrekten Abstand.

MONTAGE

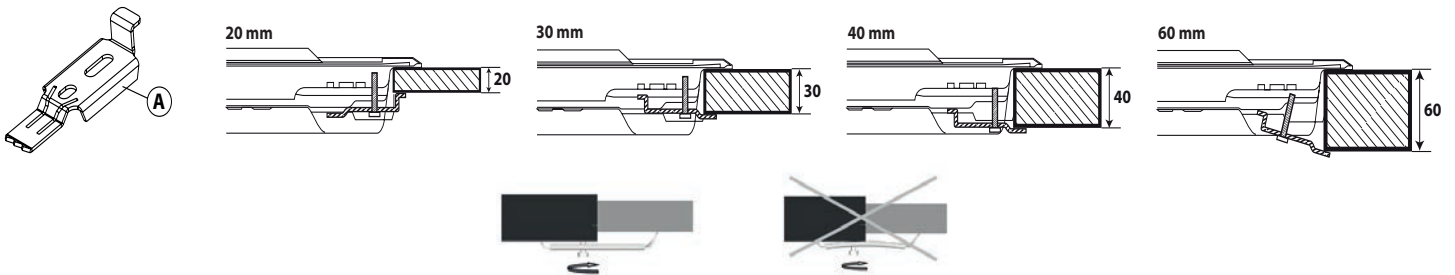
Setzen Sie nach sorgfältiger Reinigung der Oberfläche des Kochfeldes das beiliegende Dichtungsprofil wie in der Abbildung gezeigt ein.



Positionieren Sie das Kochfeld in der Öffnung in der Arbeitsfläche, die gemäß den in der Anleitung angegebenen Abmessungen angefertigt wurde.

HINWEIS: Das Stromkabel muss lang genug sein, um die Kochmulde nach oben herausziehen zu können.

Verwenden Sie zur Befestigung der Kochmulde die mitgelieferten Klammern (A). Setzen Sie die Klammern in die durch die Pfeile angezeigten Bohrungen ein und befestigen Sie dieselben mit den für die Stärke der Arbeitsplatte geeigneten Schrauben (siehe Maße im Folgenden).

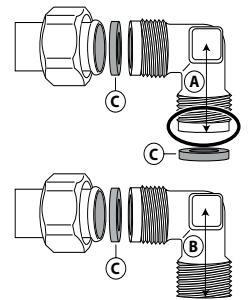


GASANSCHLUSS

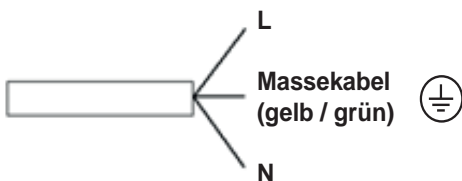
- Verbinden Sie das mitgelieferte Kniestück (A)* oder (B)* mit der Hauptleitung für den Kochfeldeinlass und fügen Sie die mitgelieferte Distanzscheibe (C) gemäß EN 549 ein.

* Verwenden Sie Kniestück (A) für Frankreich und Kniestück (B) für alle anderen Länder.

- Suchen Sie nach dem Anschluss an das Gasnetz mit Seifenwasser nach eventuellen undichten Stellen. Zünden Sie jetzt die Brenner und drehen Sie die Einstellknöpfe von der Maximalstufe 🔥 auf die Mindeststufe 🔥, um die Stabilität der Flamme zu kontrollieren.



ELEKTRISCHER ANSCHLUSS





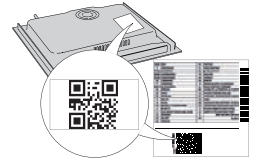
DANKE, DASS SIE SICH FÜR EIN WHIRLPOOL PRODUKT ENTSCHEIDEN HABEN

Für eine umfassendere Unterstützung melden Sie Ihr Produkt bitte unter www.whirlpool.eu/register.

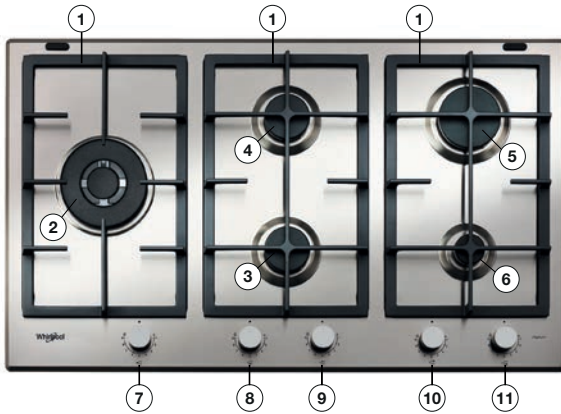


Lesen Sie vor Gebrauch des Geräts die Sicherheitshinweise aufmerksam durch.

BITTE SCANNEN SIE DEN QR-CODE AUF IHREM GERÄT, UM WEITERE INFORMATIONEN ZU ERHALTEN



PRODUKTBESCHREIBUNG



1. Ausbaubare Topfständergitter
2. 2 Kreise Brenner
3. Halbschneller Gasbrenner
4. Halbschneller Gasbrenner
5. Schneller Gasbrenner
6. Zusatzbrenner
7. Bedienknopf für 2 Kreise Brenner
8. Bedienknopf für halbschnellen Gasbrenner
9. Bedienknopf für halbschnellen Gasbrenner
10. Bedienknopf für schnellen Gasbrenner
11. Bedienknopf für Zusatzbrenner

Symbole

- Ausgefüllter Kreis ● Hahn geschlossen
- Große Flamme Maximale Öffnung/Versorgung und elektrische Zündung
- Kleine Flamme Mindestöffnung oder reduzierte Versorgung



TÄGLICHER GEBRAUCH

VERWENDUNG DES KOCHFELDS

Die Brennerflamme darf sich nicht über den Pfannenrand hinaus ausbreiten.

ACHTUNG: wenn das Kochfeld verwendet wird, kann der gesamte Kochfeldbereich heiss werden.

- Drehen Sie zum Entzünden eines der Gasbrenner den entsprechenden Bedienknopf gegen den Uhrzeigersinn auf maximale Flammeneinstellung.
- Drücken Sie den Bedienknopf gegen das Bedienfeld, um den Gasbrenner zu entzünden.
- Halten Sie den Bedienknopf nach dem Entzünden des Gasbrenners ca. 5-10 Sekunden lang gedrückt, um eine korrekte Funktion des Geräts zu ermöglichen.
- Die Sicherheitsvorrichtung des Gasbrenners unterbricht die Gasversorgung zum Gasbrenner, wenn die Flamme unbeabsichtigt erlischt (aufgrund eines plötzlichen Luftzugs, einer Unterbrechung in der Gasversorgung, überkochender Flüssigkeiten usw.).
- **Der Bedienknopf darf maximal 15 Sekunden lang gedrückt werden. Wenn der Gasbrenner nach Ablauf dieser Zeit nicht entzündet bleibt, warten Sie bitte mindestens eine Minute, bevor Sie erneut versuchen, diesen zu entzünden.**

HINWEIS: Falls bestimmte örtliche Gegebenheiten des gelieferten Gases das Entzünden des Gasbrenners erschweren, empfehlen wir, den Vorgang mit Bedienknopf auf Einstellung kleine Flamme zu wiederholen.

Der Gasbrenner kann erlöschen, wenn der Bedienknopf freigegeben wird. Dies bedeutet, dass die Sicherheitsvorrichtung nicht ausreichend erwärmt wurde. Wiederholen Sie in diesem Fall die oben beschriebene Vorgehensweise. Sollte der Brenner ungewollterweise erlöschen, drehen Sie den Reglerknopf auf Position 'AUS' und versuchen ein erneutes Anzünden erst nach Verstreichen von mindestens 1 Minute.

PRAKTISCHE RATSCHLÄGE FÜR DIE VERWENDUNG DER GASBRENNER

Dieses Gerät verfügt über Gasbrenner mit unterschiedlichen Durchmesser. Befolgen Sie für bessere Brennerleistung bitte folgende Regeln:

- Verwenden Sie Töpfe und Pfannen, deren Böden dieselbe Breite aufweisen, wie die Gasbrenner bzw. etwas größer sind (siehe Tabelle rechts);
- Verwenden Sie nur Töpfe und Pfannen mit flachem Boden;
- Verwenden Sie die korrekte Menge Wasser zur Zubereitung von Lebensmitteln und decken Sie den Topf ab;
- Stellen Sie sicher, dass Töpfe auf den Gittern nicht über die Kochfeldkante hinaus ragen;
- Verwenden Sie für Pfannen mit Konvexböden (WOK) den mitgelieferten Unterstützungsrill, der nur auf dem 4-Ring-Brenner positioniert werden darf;
- Vermeiden Sie unbeabsichtigte Stöße mit Töpfen, Rosten oder anderen Küchengeräten;

- Lassen Sie eine leere Steakpfanne nicht länger als 5 Minuten auf dem eingeschalteten Herd stehen.

ACHTUNG: Eine inkorrekte Verwendung der Gitter kann zur Beschädigung des Kochfelds führen; positionieren Sie die Gitter nicht falsch herum oder schieben Sie diese über das Kochfeld.

BRENNER	TOPF Ø
2 Kreise Brenner	Von 24 bis 26 cm
Schneller	Von 24 bis 26 cm
Halbschneller	Von 16 bis 22 cm
Zusatzbrenner	Von 8 bis 14 cm

Verwenden Sie nicht Folgendes:

- Gusseiserne Grillpfannen, Kochsteine, Terracottatöpfe und -pfannen.
- Wärmeverteiler, wie z. B. Metallgitter oder ähnliches.
- Zwei Gasbrenner gleichzeitig für einen Behälter (z. B. Fischkessel).

EINSTELLUNG AUF UNTERSCHIEDLICHE GASSORTEN

Der Arbeitsvorgang muss von einer qualifizierten Fachkraft durchgeführt werden.

Wenn das Gerät mit einer anderen Gassorten betrieben werden soll als der auf dem Typenschild und dem Informationsschild oben auf dem Kochfeld angegeben Sorte, sind die Düsen zu wechseln.

Entfernen Sie das Informationsschild und bewahren Sie es mit der Gebrauchsanleitung auf.

Verwenden Sie für den in der Gebrauchsanweisung angegebenen Gasdruck geeignete Druckregler.

- Die Gasdüse muss vom Kundenservice oder einer qualifizierten Fachkraft ausgetauscht werden.
- Nicht im Lieferumfang des Geräts enthaltene Gasdüsen müssen beim Kundenservice bestellt werden.
- Passen Sie die Mindesteinstellung der Hähne an.

HINWEIS: Bei Verwendung von LPG (G30/G31) muss die Mindest-Gaseinstellschraube so weit wie möglich festgezogen werden.

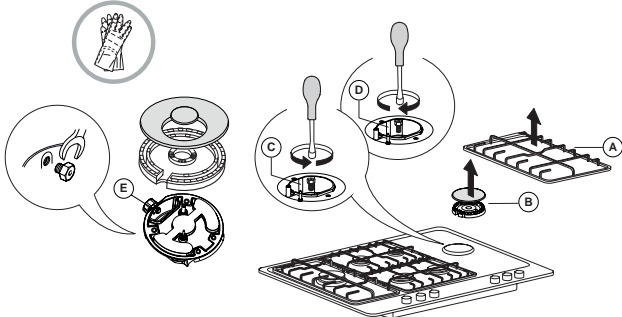
ACHTUNG: Sollten Sie beim Drehen der Bedienknöpfe der Gasbrenner Schwierigkeiten haben, kontaktieren Sie bitte den Kundenservice, um den Hahn des Gasbrenners auszutauschen, sofern dieser fehlerhaft ist.

ACHTUNG: Bei Einsatz eines Gaszylinders muss der Gaszylinder bzw. der Gasbehälter korrekt eingesetzt werden (vertikale Ausrichtung).

AUSTAUSCH DER DÜSEN (siehe düsentabelle in der Sicherheitshinweise)

⚠ Der Arbeitsvorgang muss von einer qualifizierten Fachkraft durchgeführt werden.

- Gitter (A) entfernen.
- Gasbrenner (B) herausziehen.
- Düse (C) mit einem Steckschlüssel geeigneter Größe abschrauben, auszutauschende Düse abschrauben.
- Diese durch eine für die neue Gassorte geeignete Düse ersetzen.
- Düse in (D) wieder zusammenbauen.
- Wenn Sie über einen Gasbrenner mit mehreren Kronen verfügen, verwenden Sie zum Austauschen der Düse (E) einen Schraubenschlüssel.



Denken Sie vor der Installation des Kochfelds daran, das mit den Düsen gelieferte Gaskalibrierungsschild so anzubringen, dass es die bestehenden Informationen bezüglich der Gaskalibrierung umfasst.

MINDESTGASEINSTELLUNG DER HÄHNE ANPASSEN

⚠ Der Arbeitsvorgang muss von einer qualifizierten Fachkraft durchgeführt werden.

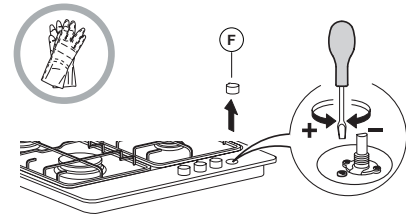
Die Einstellung muss mit Hahn in Mindestgaseinstellungsposition (kleine Flamme) erfolgen:

Die Hauptluft der Gasbrenner muss nicht eingestellt werden.

Um eine korrekte Anpassung der Mindesteinstellung sicherzustellen, entfernen Sie den Bedienknopf (F) und gehen Sie folgendermaßen vor:

- Ziehen Sie die Schraube zur Verringerung der Flammenhöhe (-) fest.
- Lösen Sie die Schraube zur Erhöhung der Flammenhöhe (+).

Entzünden Sie an dieser Stelle die Gasbrenner und drehen Sie die Bedienknöpfe von der Maximalstellung zur Mindeststellung, um die Flammenstabilität zu prüfen.



Nach Abschluss der Einstellung dichten Sie mit Siegelwachs oder ähnlichem Material ab.

GARTABELLE

STAND	GARMETHODE/-TYP (EMPFOHLEN FÜR)	KOCHTIPPS
1-2	WARMHALTEN	Ideal zum Zerlassen von Butter, vorsichtigen Schmelzen von Schokolade im Wasserbad, Auftauen von kleinen Portionen, Quellen von Risotto.
	SCHONENDES GAREN	
3-4	KÖCHELN	Ideal zum langsamen Kochen (Reis, Saucen, Braten, Fisch) in Flüssigkeit (Wasser, Wein, Brühe) und zum Quellen von Nudeln unter schonendem Sieden.
	SCHMOREN	
5-6	ROESTEN	Ideal zum Dünsten, Schmoren von Gemüse, Garen über einen längeren Zeitraum, Vorheizen von Zubehörteilen, sämig Garen.
	BRATEN	
7-8	RÜHRBRATEN	Ideal zum Anbraten, Ankochen, schnellen Aufkochen von Flüssigkeiten, Braten von Tiefkühlkost, Grillen von Fleisch und Fisch, sprudelnden Kochen.
	GRILLEN	
9	SCHNELLES ERWÄRMEN	Ideal zum schnellen Erwärmen von Speisen oder zum Aufkochen von Flüssigkeiten (Wasser).

REINIGUNG UND WARTUNG

⚠ Trennen Sie das Gerät von der Stromversorgung.

KOCHFELD-OBERFLÄCHE REINIGEN

- Alle Bauteile aus Emaille und Glas sind mit warmem Wasser und Neutralreiniger zu reinigen.
- Edelstahlflächen können durch kalkhaltiges Wasser oder aggressive Reinigungsmittel verschmutzt werden, wenn diese zu lang miteinander in Kontakt sind. Jegliche verschütteten Lebensmittel (Wasser, Soße, Kaffee usw.) müssen vor dem Antrocknen entfernt werden.
- Reinigen Sie diese mit warmem Wasser und Neutralreiniger und trocknen Sie sie anschließend mit einem weichen Lappen oder Fensterleder ab. Entfernen Sie eingetrocknete Verschmutzungen mit besonderen Reinigern für Edelstahlflächen.

HINWEIS: Reinigen Sie Edelstahl nur mit einem weichen Lappen oder Schwamm.

- Verwenden Sie keine Scheuermittel oder korrosiven Produkte, Reinigungsmittel auf Chlorbasis oder Topfreiniger.
- Verwenden Sie keine Dampfreiniger.
- Verwenden Sie keine entflammenden Produkte.
- Belassen Sie keine säure- oder laugenhaltige Substanzen, wie z. B. Essig, Senf, Salz, Zucker oder Zitronensaft, auf dem Kochfeld.

KOCHFELDTEILE REINIGEN

- Reinigen Sie Teile aus Glas und Emaille nur mit einem weichen Lappen oder Schwamm.
- Gitter, Brennerdeckel und Gasbrenner können zur Reinigung ausgebaut werden.
- Reinigen Sie diese von Hand mit warmem Wasser und einem nicht scheuernden Reinigungsmittel. Entfernen Sie dabei jegliche Lebensmittelreste und prüfen Sie, ob Brenneröffnungen verstopft sind.
- Abspülen und abtrocknen.
- **Die Gusseisengitter können im Geschirrspüler gereinigt werden. Entfernen Sie angebrannte Lebensmittel, bevor Sie die Gitter in den Unterkorb des Geschirrspülers geben.**
- Bauen Sie die Gasbrenner und Brennerdeckel wieder korrekt in die entsprechenden Gehäuse ein.
- Stellen Sie beim Ersetzen der Gitter sicher, dass der Topfständerbereich mit dem Gasbrenner ausgerichtet ist.
- Bei Modellen mit elektrischen Zündsteckern und Sicherheitsvorrichtung muss das Steckerende sorgfältig gereinigt werden, um eine korrekte Funktion sicherzustellen. Prüfen Sie diese Bauteile häufig und reinigen Sie sie ggf. mit einem feuchten Lappen. Festgebackene Speisereste müssen mit einem Zahnstocher oder einer Nadel entfernt werden.

HINWEIS: Um eine Beschädigung der elektrischen Zündvorrichtung zu vermeiden, verwenden Sie diese nicht, wenn die Gasbrenner sich nicht in deren Gehäuse befinden.

Wenn das Kochfeld nicht korrekt funktioniert, ziehen Sie bitte zuerst „Störung - was tun?“ zu Rate, bevor Sie den Kundenservice anrufen.

1. Der Gasbrenner entzündet sich nicht oder die Flamme ist ungleichmäßig.

Prüfen Sie Folgendes:

- Die Gas- bzw. Elektroversorgung ist nicht abgeschaltet und insbesondere der Gasversorgungshahn ist geöffnet.
- Der Gaszylinder (Flüssiggas) ist nicht leer.
- Die Gasbrenneröffnungen sind nicht verstopft.
- Das Steckerende ist sauber.
- Alle Gasbrennerenteile sind korrekt positioniert.
- Im Bereich des Kochfelds ist kein Luftzug vorhanden.

2. Der Gasbrenner bleibt nicht entzündet.

Prüfen Sie Folgendes:

- Beim Entzünden des Gasbrenners wurde der Bedienknopf ausreichend lang gedrückt, um die Schutzvorrichtung zu aktivieren;
- Die Gasbrenneröffnungen sind nicht im Bereich des Thermoelements verstopft;
- Das Ende der Sicherheitsvorrichtung ist sauber;
- Die Mindestgaseinstellung ist korrekt (siehe entsprechenden Abschnitt).

3. Die Behälter sind nicht stabil.

Prüfen Sie Folgendes:

- Der Behälterboden ist vollständig flach;
- Der Behälter ist auf dem Gasbrenner zentriert;
- Die Gitter wurden nicht ausgetauscht oder inkorrekt positioniert.

Falls die Störung nach den vorstehend beschriebenen Kontrollen weiter besteht, rufen Sie bitte die nächstliegende Kundendienststelle an.

KUNDENDIENST

Für eine umfassendere Unterstützung melden Sie Ihr Produkt bitte unter www.whirlpool.eu/register an.

BEVOR SIE DEN KUNDENDIENST RUFEN:

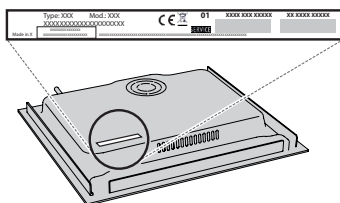
1. Versuchen Sie zuerst, die Störung anhand der in **LÖSEN VON PROBLEMEN** beschriebenen Ratschläge selbst zu beheben.
2. Schalten Sie das Gerät aus und wieder ein, um festzustellen, ob die Störung behoben ist.

FALLS DIE STÖRUNG NACH DEN VORSTEHEND BESCHRIEBENEN KONTROLLEN WEITER BESTEHT, WENDEN SIE SICH BITTE AN DEN NÄCHSTEN KUNDENSERVICE.

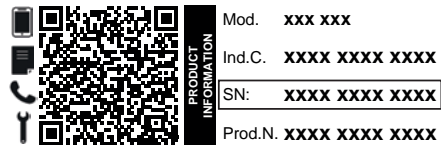
Rufen Sie die Nummer in dem Garantieheft an oder folgen Sie den Anweisungen auf der Internetseite www.whirlpool.eu.

Wenn Sie den Kundendienst kontaktieren, immer die folgenden Angaben machen:

- Eine kurze Beschreibung der Störung,
- Gerätetyp und Modellnummer;



- Seriennummer (Nummer nach dem Wort „SN“ auf dem Typenschild unter dem Gerät). Die Seriennummer finden Sie auch in der Dokumentation;



- Ihre vollständige Anschrift,
- Ihre Telefonnummer.

Im Reparaturfall wenden Sie sich bitte an den autorisierten Kundenservice (nur dann wird garantiert, dass Originalersatzteile verwendet werden und eine fachgerechte Reparatur durchgeführt wird).

Richtlinien, Standarddokumentation und zusätzliche Produktinformationen finden Sie unter:

- Verwenden Sie den QR-Code an Ihrem Gerät;
- Besuchen Sie unsere Website docs.whirlpool.eu/docs;
- Alternativ können Sie **unseren Kundendienst kontaktieren** (siehe Telefonnummer im Garantieheft). Wird unser Kundendienst kontaktiert, bitte die Codes auf dem Typenschild des Produkts angeben.



CONSIGNES DE SÉCURITÉ

IMPORTANT - À LIRE ET À RESPECTER

⚠ Ces directives s'appliquent si le symbole du pays apparaît sur l'appareil. Si le symbole du pays n'apparaît pas sur l'appareil, vous devez vous référer aux consignes techniques qui contiennent les instructions nécessaires concernant la modification de l'appareil afin de se conformer aux conditions d'utilisation du pays.

⚠ **MISE EN GARDE:** L'utilisation d'appareil de cuisson au gaz génère de la chaleur, de l'humidité, et des produits de la combustion dans la pièce dans laquelle il est installé. Assurez-vous que la cuisine est bien aérée, surtout lorsque vous utilisez l'appareil : gardez les trous de ventilations ouverts ou installez un dispositif de ventilation mécanique (hotte de ventilation). Une utilisation intensive et prolongée peut nécessiter une ventilation supplémentaire, comme ouvrir une fenêtre, ou une ventilation plus efficace, par exemple en augmentant le niveau de ventilation mécanique (si possible).

⚠ Le non-respect des informations du présent manuel peut provoquer un incendie ou une explosion, susceptible de provoquer un dommage aux biens ou des lésions personnelles.

Avant d'utiliser l'appareil, lire attentivement les consignes de sécurité. Conservez-les à portée pour consultation ultérieure.

Le présent manuel et l'appareil lui-même contiennent des consignes de sécurité importantes qui doivent être lues et observées en tout temps. Le Fabricant décline toute responsabilité si les consignes de sécurité ne sont pas respectées, en cas de mauvaise utilisation de l'appareil, ou d'un mauvais réglage des commandes.

⚠ **AVERTISSEMENT:** Ne pas utiliser la table de cuisson si la surface est cassée ou fissurée - risque de choc électrique.

⚠ **AVERTISSEMENT:** Risque d'incendie: Ne rangez aucun objet sur les surfaces de cuisson.

⚠ **ATTENTION:** La cuisson doit être supervisée. Une cuisson de courte durée doit être supervisée en tout temps.

⚠ **AVERTISSEMENT:** Une cuisson sans surveillance sur une table de cuisson contenant de la graisse ou de l'huile peut s'avérer dangereuse - risque d'incendie. N'essayez JAMAIS d'éteindre un feu avec de l'eau, mais éteignez l'appareil puis couvrez les flammes à l'aide d'un couvercle par ex. ou d'une couverture ignifuge.

⚠ Utilisez pas la table de cuisson comme surface de travail ou support. Gardez les vêtements et autres matières inflammables loin de l'appareil jusqu'à ce que toutes les composantes soient complètement refroidies - un incendie pourrait se déclarer.

⚠ Les enfants en bas âge (0-3 ans) doivent être tenus à l'écart de l'appareil. Les jeunes enfants (3-8 ans) doivent être tenus à l'écart de l'appareil sauf s'ils se trouvent sous surveillance constante. Les enfants âgés

de 8 ans et plus, ainsi que les personnes présentant des capacités physiques, sensorielles ou mentales réduites, ou ne possédant ni l'expérience ni les connaissances requises, peuvent utiliser cet appareil seulement s'ils sont supervisés, ou si une personne responsable leur a expliqué l'utilisation sécuritaire et les dangers potentiels de l'appareil. Ne laissez pas les enfants jouer avec l'appareil. Les enfants ne doivent pas nettoyer, ni procéder à l'entretien de l'appareil sans surveillance.

⚠ **MISE EN GARDE:** En cas de rupture du verre de la plaque de cuisson: éteignez immédiatement tous les brûleurs et la résistance électrique, et coupez l'alimentation électrique; veillez à ne pas toucher la surface de l'appareil; veillez à ne pas utiliser l'appareil. Le couvercle en verre peut se casser s'il est surchauffé. Coupez tous les brûleurs et les plaques électriques avant de fermer le couvercle. Ne fermez pas le couvercle lorsqu'un brûleur est allumé.

⚠ **AVERTISSEMENT:** L'appareil, ainsi que ses parties accessibles, peuvent atteindre température élevée lors de l'utilisation. Évitez tout contact avec les éléments chauffants. Les enfants de moins de 8 ans doivent être tenus à l'écart de l'appareil, à moins d'être sous surveillance constante.

⚠ Les aliments ne doivent pas être laissés dans ou sur le produit pendant plus d'une heure avant ou après la cuisson.

USAGE AUTORISÉ

⚠ **MISE EN GARDE:** Cet appareil n'est pas conçu pour fonctionner à l'aide d'un dispositif de commutation externe, comme une minuterie ou un système de télécommande.

⚠ Cet appareil est destiné à un usage domestique et peut aussi être utilisé dans les endroits suivants: cuisines pour le personnel dans les magasins, bureaux et autres environnements de travail ; dans les fermes; par les clients dans les hôtels, motels, chambres d'hôtes, et autres résidences similaires.

⚠ Aucune autre utilisation n'est autorisée (p. ex. pour chauffer des pièces).

⚠ Cet appareil n'est pas conçu pour un usage professionnel. N'utilisez pas l'appareil en extérieur.

⚠ Utilisez des ustensiles de cuisson dont le fond dispose d'un diamètre égal ou légèrement supérieur à celui du foyer (voir le tableau suivant). Vérifiez que les ustensiles de cuisson ne dépassent pas de la table de cuisson.

⚠ Une utilisation inappropriée des grilles peut endommager la table de cuisson: ne positionnez pas les grilles sens dessus dessous ou ne les faites pas glisser sur la table de cuisson.

Ne laissez pas la flamme du brûleur dépasser du bord de la casserole.

Si la surface de la plaque de cuisson est en verre, n'utilisez pas les grilles en fonte, des pierres olaires, des casseroles et des poêles en terre cuite.

N'utilisez pas: de diffuseurs de chaleur comme des mailles métalliques ou tout autre type; deux brûleurs simultanément pour un seul récipient (par exemple, une poissonnière).

Si des conditions locales spéciales du gaz distribué rendent l'allumage du brûleur difficile, il est conseillé de répéter l'opération en plaçant le bouton sur la position petite flamme.

Avant d'installer une hotte au-dessus de la table de cuisson, veuillez vous référer au manuel d'utilisation de la hotte qui spécifie les distances adéquates. Les pieds de protection en caoutchouc appliqués sur les grilles sont une source de danger potentiel pour les jeunes enfants. Après avoir enlevé les grilles, assurez-vous que tous les pieds sont correctement installés.

INSTALLATION

⚠ Deux personnes minimum sont nécessaires pour déplacer et installer l'appareil - risque de blessure. Utilisez des gants de protection pour le déballage et l'installation de l'appareil - vous risquez de vous couper.

⚠ Les branchements électriques et le raccordement au gaz doivent être réalisés conformément aux réglementations locales.

⚠ L'installation, incluant l'alimentation en eau (selon le modèle), et les connexions électriques, ainsi que les réparations, doivent être exécutées par un technicien qualifié. Ne procédez à aucune réparation ni à aucun remplacement de pièce sur l'appareil autres que ceux spécifiquement indiqués dans le guide d'utilisation. Gardez les enfants à l'écart du site d'installation. Après avoir déballé l'appareil, assurez-vous qu'il n'a pas été endommagé pendant le transport. En cas de problème, contactez votre revendeur ou le Service Après-Vente le plus proche. Une fois installé, gardez le matériel d'emballage (sacs en plastique, parties en polystyrène, etc.) hors de la portée des enfants - ils pourraient s'étouffer. L'appareil ne doit pas être branché à l'alimentation électrique lors de l'installation - vous pourriez vous électrocuter. Au moment de l'installation, assurez-vous que le câble d'alimentation n'est pas endommagé par l'appareil - vous pourriez vous électrocuter. Allumez l'appareil uniquement lorsque l'installation est terminée.

⚠ **AVERTISSEMENT:** Les modifications sur l'appareil et sur les méthodes d'installation sont essentielles pour utiliser l'appareil de façon sécuritaire et correctement dans tous les autres pays.

⚠ Utiliser des régulateurs de pression adéquats pour la pression de gaz indiquée dans les directives.

⚠ La pièce doit être équipée d'un système d'évacuation d'air qui expulse les fumées de combustion.

⚠ La pièce doit aussi permettre une bonne circulation d'air; l'air est nécessaire pour une combustion normale. La circulation d'air doit être au minimum de 2 m³/h par kW de puissance installée.

⚠ Le système de circulation d'air peut prendre l'air directement de l'extérieur en utilisant un tuyau avec une section transversale intérieure d'au moins 100 cm²; l'ouverture ne doit pas pouvoir se bloquer facilement.

⚠ Le système peut aussi obtenir l'air nécessaire de façon indirecte, p. ex. d'une pièce voisine munie de tuyaux pour la circulation d'air comme décrit plus haut. Cependant, ces pièces ne doivent pas être une salle commune, une chambre à coucher, ou une pièce qui présente un danger d'incendie.

⚠ Comme il est plus pesant que l'air, le gaz de pétrole liquéfié reste au niveau du sol. Donc, les pièces

contenant des cylindres de GPL doivent être équipées de bouches de ventilation qui permettent au gaz de s'échapper en cas de fuite. Donc, les cylindres de GPL, plein ou partiellement rempli, doivent être installés ou entreposés dans des pièces ou entrepôts qui se trouvent sous le niveau du sol (cave, etc.). Nous vous conseillons de garder dans la pièce les cylindres utilisés seulement, placés de façon à ne pas être affecté par la chaleur produite par des sources externes (four, foyer, cuisinière) qui pourrait faire monter la température du cylindre au dessus de 50°C.

Si vous éprouvez des problèmes pour tourner les boutons des brûleurs, veuillez contacter le Service Après-vente pour remplacer le bec du brûleur s'il est défectueux.

Les ouvertures utilisées pour la ventilation et la diffusion de la chaleur ne doivent jamais être obstruées.

⚠ Découpez le contour du meuble avant d'y insérer l'appareil, et enlevez soigneusement les copeaux et la sciure de bois.

⚠ Si l'appareil n'est pas installé au-dessus d'un four, un panneau séparateur (non compris) doit être installé dans le compartiment sous l'appareil.

RACCORDEMENT AU GAZ

⚠ **AVERTISSEMENT:** Avant l'installation, assurez-vous que les conditions de distribution locale (nature et pression du gaz) sont compatibles avec les réglages de l'appareil.

⚠ Vérifiez que la pression de l'alimentation de gaz est conforme aux valeurs indiquées dans le tableau "Caractéristiques du brûleur".

⚠ **AVERTISSEMENT:** Les conditions de configuration pour cet appareil sont indiquées sur l'étiquette (ou la plaque signalétique).

⚠ **AVERTISSEMENT:** Cet appareil n'est pas raccordé à un dispositif d'évacuation des fumées. Il doit être installé et connecté conformément aux réglementations en vigueur en matière d'installation. Faire particulièrement attention aux normes d'aération.

⚠ Si les appareils sont branchés à du gaz liquide, la vis de réglage doit être fixée aussi fermement que possible.

⚠ **IMPORTANT:** Si vous utilisez une bouteille de gaz, le cylindre ou le récipient de gaz doit être correctement installée (orientation verticale).

⚠ **AVERTISSEMENT:** Cette opération doit être effectuée par un technicien spécialisé.

⚠ Effectuez le raccordement au gaz à l'aide d'un flexible ou d'un tuyau en métal rigide uniquement.

⚠ Connexion à un tuyau rigide (cuivre ou acier) La connexion au système de gaz doit être effectuée de façon à ne pas placer de contrainte sur l'appareil. Il existe un raccord de tuyau en forme de L réglable sur la rampe d'alimentation de l'appareil et il est installé avec un joint afin d'éviter des fuites. Le joint d'étanchéité doit toujours être remplacé lorsqu'on remplace le raccord de tuyauterie (le joint est fourni avec l'appareil). Le raccord de tuyauterie de l'alimentation de gaz est un raccord cylindrique mâle avec un filament de 1/2.

⚠ Connexion d'un tuyau en acier inoxydable sans joint flexible à une fixation fileté. Le raccord de tuyau d'alimentation de gaz est une fixation mâle cylindrique de gaz fileté de dimension 1/2. Ces tuyaux doivent être installés de façon à ne pas dépasser 2000 mm de longueur lorsqu'ils sont complètement étirés. Une fois le branchement terminé, assurez-vous que le tuyau flexible en métal ne touche pas aux pièces mobiles et qu'il n'est pas écrasé. Utiliser seulement des tuyaux et des joints d'étanchéité conformes à la réglementation nationale.

⚠ **IMPORTANT:** Si vous utilisez un tuyau en acier inoxydable, assurez-vous qu'il ne touche à aucune pièce mobile du meuble (p. ex. un tiroir). Le tuyau doit passer à travers un endroit libre d'obstruction et où il est possible de l'inspecter sur toute sa longueur.

⚠ L'appareil doit être branché à l'alimentation principale ou à un cylindre de gaz conformément à la réglementation nationale. Avant d'effectuer le branchement, assurez-vous que l'appareil est compatible avec l'alimentation de gaz que vous désirez utiliser. Si ce n'est pas le cas, suivez les directives indiquées au paragraphe "Adapter à différents types de gaz".

⚠ Après le raccordement à l'arrivée de gaz, vérifier qu'il n'y ait pas de fuite à l'aide d'eau savonneuse. Allumez les brûleurs et tournez les boutons de la position maximale 1* à la position minimale 2* pour vérifier la stabilité de la flamme.

ADAPTER À DIFFÉRENTS TYPES DE GAZ

(Cette opération doit être effectuée par un technicien spécialisé).

⚠ Afin d'adapter l'appareil à un type de gaz différent de celui pour lequel il a été fabriqué (indiqué sur l'étiquette nominative), suivez les étapes spécifiques indiquées après les schémas d'installation.

AVERTISSEMENTS ÉLECTRIQUES

⚠ **IMPORTANT:** Des informations concernant la consommation actuelle et de tension figurent sur la plaque signalétique.

⚠ Il doit être possible de débrancher l'appareil de l'alimentation électrique en retirant la fiche de la prise de courant si elle est accessible, ou à l'aide d'un interrupteur multipolaire en amont de la prise de courant, conformément aux règles de câblage et l'appareil doit être mis à la terre conformément aux normes de sécurité électrique nationales.

⚠ Une fois l'appareil installé dans son meuble, le câble d'alimentation doit être suffisamment long pour le brancher à l'alimentation électrique principale. Ne tirez pas sur le cordon d'alimentation pour débrancher l'appareil.

⚠ N'utilisez pas de rallonge, de prises multiples ou d'adaptateurs. Une fois l'installation terminée, l'utilisateur ne devra plus pouvoir accéder aux composantes électriques. N'utilisez pas l'appareil si vous êtes mouillé ou si vous êtes pieds nus. N'utilisez pas cet appareil si le câble d'alimentation ou la prise de courant sont endommagés,

si l'appareil ne fonctionne pas correctement, ou s'il a été endommagé ou échappé.

⚠ Si le câble d'alimentation est endommagé, il doit être remplacé par un câble identique provenant du fabricant, d'un représentant du Service Après-vente, ou par toute autre personne qualifiée - vous pourriez vous électrocuter.


NETTOYAGE ET ENTRETIEN

⚠ **AVERTISSEMENT:** Assurez-vous que l'appareil est éteint et débranché du réseau électrique avant d'effectuer l'entretien - vous pourriez vous électrocuter; n'utilisez jamais un appareil de nettoyage à vapeur - risque de choc électrique.

⚠ N'utilisez en aucun cas de produits abrasifs ou corrosifs, de produits chlorés ou de tampons à récurer.

⚠ Pour ne pas endommager le dispositif d'allumage électrique, actionnez-le uniquement lorsque les brûleurs ont été remis en place.


MISE AU REBUT DES MATÉRIEAUX D'EMBALLAGE

Les matériaux d'emballage sont entièrement recyclables comme l'indique le symbole de recyclage .

Les différentes parties de l'emballage doivent donc être jetées de manière responsable et en totale conformité avec la réglementation des autorités locales régissant la mise au rebut de déchets.

MISE AU REBUT DES APPAREILS ÉLECTROMÉNAGERS

Cet appareil est fabriqué avec des matériaux recyclables ou pouvant être réutilisés. Mettez-le au rebut en vous conformant aux réglementations locales en matière d'élimination des déchets. Pour toute information supplémentaire sur le traitement et le recyclage des appareils électroménagers, contactez le service local compétent, le service de collecte des déchets ménagers ou le magasin où vous avez acheté l'appareil. Cet appareil est marqué comme étant conforme à la Directive européenne 2012/19/EU, aux réglementations relatives aux Déchets d'équipement électrique et électronique (DEEE) et relatives aux Déchets d'équipement électrique et électronique de 2013 (tels qu'amendés). En vous assurant que l'appareil est mis au rebut correctement, vous pouvez aider à éviter d'éventuelles conséquences négatives sur l'environnement et la santé humaine.

Ce symbole  sur le produit ou sur la documentation qui l'accompagne indique qu'il ne doit pas être traité comme un déchet domestique, mais doit être remis à un centre de collecte spécialisé pour le recyclage des appareils électriques et électroniques.



CONSEILS RELATIFS À L'ÉCONOMIE D'ÉNERGIE

Utilisez des ustensiles de cuisson d'un diamètre égal à celui de la zone de cuisson.

Utilisez exclusivement des ustensiles de cuisson à fond plat.

Lorsque cela est possible, couvrez les casseroles avec un couvercle pendant la cuisson.

Utilisez un autocuiseur pour économiser encore plus d'énergie et de temps.

DÉCLARATION DE CONFORMITÉ

Cet appareil respecte les conditions requises d'écoconception de la Réglementation européenne 66/2014 et des Réglementations en matière d'écoconception pour les produits liés à l'énergie et les informations énergétiques (Amendement) (Sortie de l'UE) 2019, conformément à la norme européenne EN 30-2-1.

Type de gaz utilisé	Type de brûleur	Marque de l'injecteur	Puissance thermique nominale kW	Consommation nominale	Puissance thermique réduite kW		Pression du gaz mbar		
					FR	BE	min.	nom.	max.
GAZ NATUREL (Méthane) G20	Rapide (R)	128 B	3,00	286 l/h	0,60	0,80	17	20	25
	Semi-rapide (SR)	97	1,65	157 l/h	0,35	0,45			
	Auxiliaire (AUX)	78 A	1,00	95 l/h	0,30	0,35			
	Double couronne (DC)	149 H3	4,00	381 l/h	2,20	2,30			
GAZ DE PÉTROLE LIQUÉFIÉ (Butane) G30	Rapide (R)	87	3,00	218 g/h	0,60		20	28-30	35
	Semi-rapide (SR)	67	1,65	120 g/h	0,35				
	Auxiliaire (AUX)	50	1,00	73 g/h	0,30				
	Double couronne (DC)	100	4,00	291 g/h	1,90				
GAZ DE PÉTROLE LIQUÉFIÉ (Propane) G31	Rapide (R)	87	3,00	214 g/h	0,60		25	37	45
	Semi-rapide (SR)	67	1,65	118 g/h	0,35				
	Auxiliaire (AUX)	50	1,00	71 g/h	0,30				
	Double couronne (DC)	100	4,00	286 g/h	1,90				

Type de gaz utilisé	Configuration du modèle 5 BRÛLEURS	Puissance thermique nominale (kW)	Consommation totale nominale	Air nécessaire (m ³) à la combustion de 1m ³ de gaz
G20 20 mbar	1R - 2SR - 1AUX - 1DC	11,30	1076 l/h	9,52
G30 28-30 mbar	1R - 2SR - 1AUX - 1DC	11,30	822 g/h	30,94
G31 37 mbar	1R - 2SR - 1AUX - 1DC	11,30	807 g/h	23,80

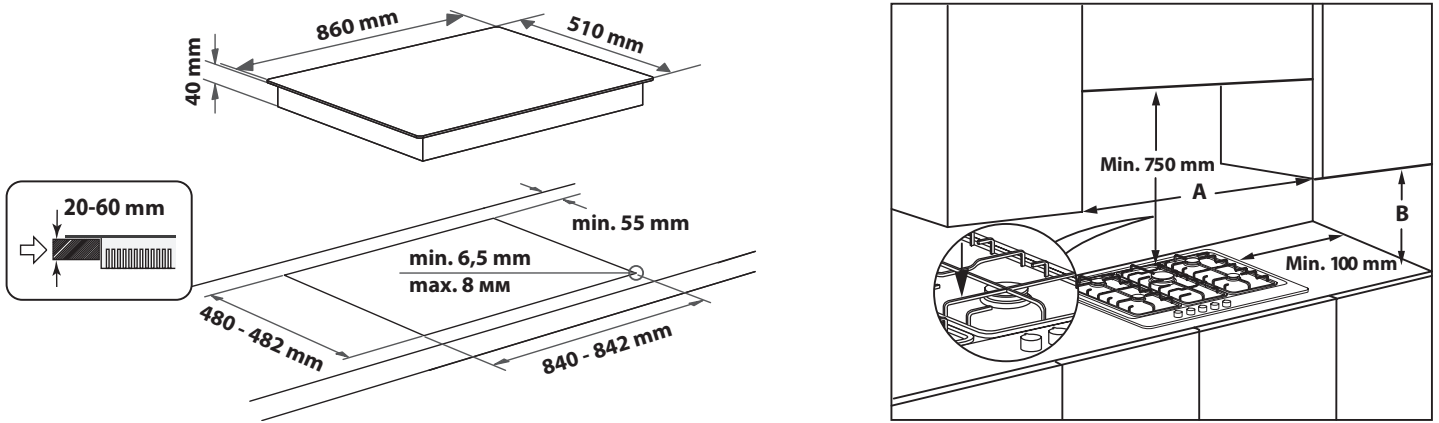
ALIMENTATION ÉLECTRIQUE: 220-240 V ~ 50-60 Hz - 0,6 W


INSTALLATION (CLASSE 3)

INFORMATIONS TECHNIQUES POUR L'INSTALLATEUR

- Utilisez des gants de protection pour manipuler, préparer et installer le produit.
- La table de cuisson peut être encastrée dans un plan de travail de 20 ÷ 60 mm d'épaisseur.
- Si vous n'installez pas de four sous la table de cuisson, placez un panneau de séparation de dimension au moins égale à celle de la découpe pratiquée dans le plan de travail. Ce panneau doit être installé à 150 mm maximum en dessous de la surface supérieure du plan de travail, mais en aucun cas à moins de 20 mm de la partie inférieure de la table de cuisson. Si vous avez l'intention d'installer un four sous la table de cuisson, assurez-vous qu'il est doté d'un système de refroidissement.

DIMENSIONS ET DISTANCES A RESPECTER



REMARQUE: si la distance "A" entre les éléments muraux est de 600 mm à 730 mm, la hauteur "B" doit être au minimum de 530 mm. Si la distance "A" entre les éléments muraux est supérieure à la largeur de la table de cuisson, la hauteur "B" doit être au minimum de 400 mm. Avant d'installer une hotte au-dessus de la table de cuisson, veuillez vous référer au manuel d'utilisation de la hotte qui spécifie les distances adéquates.

ASSEMBLAGE

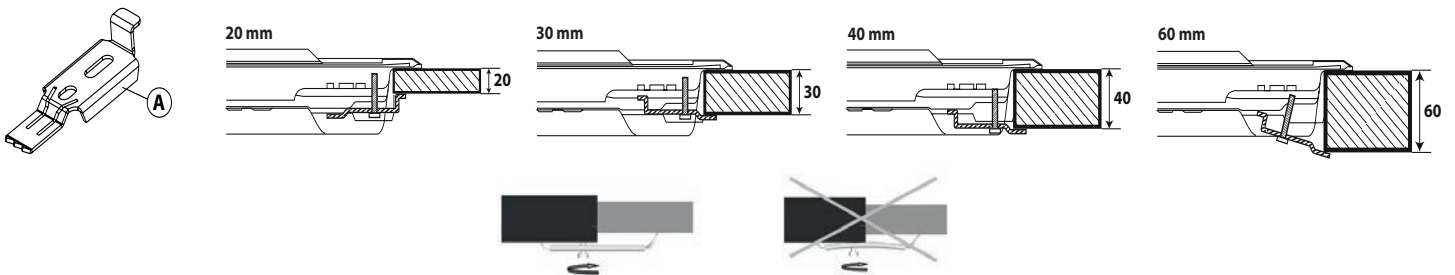
Après avoir nettoyé le pourtour de la table de cuisson, appliquez le joint fourni comme illustré sur la figure.

Installez la table de cuisson dans l'ouverture du plan de cuisson dont les dimensions correspondent à celles figurant dans le mode d'emploi.



REMARQUE: le cordon d'alimentation doit être suffisamment long pour permettre son extraction par le haut.

Pour fixer la table de cuisson, utilisez les attaches (A) fournies. Introduisez les attaches dans les orifices prévus à cet effet (indiqués par la flèche) et fixez-les à l'aide des vis en fonction de l'épaisseur de la table de cuisson (voir figures suivantes).

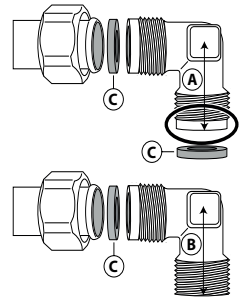


RACCORDEMENT AU GAZ

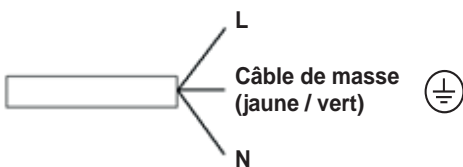
- Raccordez le coude (A)* ou (B)* fourni au tuyau principal d'alimentation de la table de cuisson et installez la rondelle (C) fournie, conformément à la norme EN 549.

* Utilisez le coude (A) pour la France et le coude (B) pour tous les autres pays.

- Une fois le tuyau de gaz raccordé, vérifiez l'absence de fuites à l'aide d'eau savonneuse. Allumez les brûleurs et tournez les boutons de la position maximale à la position minimale pour vérifier la stabilité de la flamme.



BRANCHEMENT ÉLECTRIQUE





MERCI D'AVOIR CHOISI UN PRODUIT WHIRLPOOL
Afin de profiter d'une assistance plus complète, veuillez enregistrer votre produit sur www.whirlpool.eu/register.

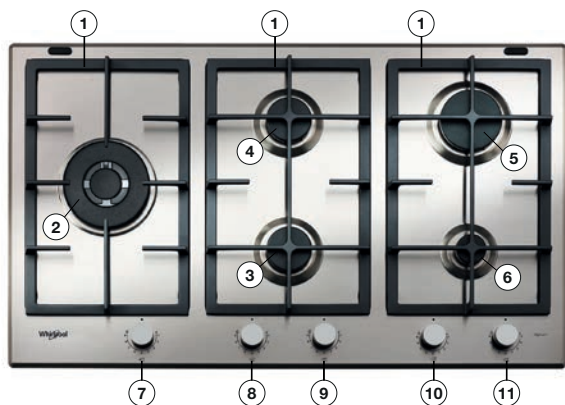


Lisez attentivement les consignes de sécurité avant d'utiliser l'appareil.

VEUILLEZ SCANNER LE QR CODE SUR VOTRE APPAREIL POUR OBTENIR PLUS D'INFORMATIONS



DESCRIPTION DU PRODUIT



1. Grilles amovibles
2. Brûleur à double couronne
3. Brûleur semi-rapide
4. Brûleur semi-rapide
5. Brûleur rapide
6. Brûleur auxiliaire
7. Bouton de commande du brûleur à double couronne
8. Bouton de commande du brûleur semi-rapide
9. Bouton de commande du brûleur semi-rapide
10. Bouton de commande du brûleur rapide
11. Bouton de commande du brûleur auxiliaire

Symboles

- Cercle ombré ● Robinet fermé
- Flamme maximale 🔥 Ouverture/débit max., et allumage électrique
- Flamme minimale 🔥 Ouverture min./débit réduit



USAGE QUOTIDIEN

MODE D'EMPLOI DE LA TABLE DE CUISSON

⚠ Ne laissez pas la flamme du brûleur dépasser du bord de la casserole.

IMPORTANT: lorsque la table de cuisson est utilisée, elle peut être chaude dans son intégralité.

- Pour allumer un des brûleurs, tournez le bouton correspondant dans le sens inverse des aiguilles d'une montre jusqu'à la position de flamme maximale.
- Appuyez sur le bouton du bandeau de commande et maintenez-le dans cette position jusqu'à ce que le brûleur s'allume.
- Dès que le brûleur est allumé, maintenez le bouton enfoncé pendant 5 à 10 secondes environ pour permettre le fonctionnement correct du dispositif.
- Ce dispositif de sécurité du brûleur permet de couper l'arrivée du gaz en cas d'extinction inopinée de la flamme (suite à un courant d'air, une absence momentanée de gaz, un débordement de liquides, etc.).
- **Ne maintenez pas le bouton enfoncé plus de 15 secondes. Si, une fois ce temps écoulé, le brûleur ne reste pas allumé, attendez au moins une minute avant de répéter l'opération.**

REMARQUE: si des conditions locales spéciales du gaz distribué rendent l'allumage du brûleur difficile, il est conseillé de répéter l'opération en plaçant le bouton sur la position petite flamme.

Il se peut que le brûleur s'éteigne lorsque vous relâchez le bouton. Cela signifie que le dispositif de sécurité n'a pas chauffé suffisamment. Dans un tel cas, veuillez répéter les opérations décrites ci-dessus.

En cas d'extinction accidentelle des flammes du brûleur, tournez la manette jusqu'à l'arrêt et attendez au moins 1 minute avant de tenter de rallumer.

CONSEILS PRATIQUES POUR UTILISER LES BRÛLEURS

Cette table de cuisson est équipée de brûleurs de différents diamètres. Pour obtenir une meilleure performance des brûleurs, veuillez respecter les consignes suivantes:

- utilisez des ustensiles de cuisson d'un diamètre égal ou légèrement supérieur à celui du foyer (voir le tableau de droite);
- utilisez exclusivement des ustensiles de cuisson à fond plat;
- cuisez les aliments dans une quantité d'eau adaptée aux besoins et laissez le couvercle sur la casserole;
- vérifiez que les ustensiles de cuisson ne dépassent pas de la table de cuisson;
- pour les ustensiles de cuisson à fond convexe (WOK), utilisez la grille de support (non fournie), et placez-la uniquement sur le brûleur à plusieurs couronnes.
- évitez les heurts accidentels avec casseroles, grilles ou autres ustensiles de cuisine;
- ne pas utiliser de casseroles ou de faitouts à cheval sur deux brûleurs ou plus.

IMPORTANT: une utilisation inappropriée des grilles peut endommager la table de cuisson; ne positionnez pas les grilles sens dessus dessous ou ne les faites pas glisser sur la table de cuisson.

BRÛLEUR	Ø D'USTENSILE DE CUISSON
Double couronne	De 24 à 26 cm
Semi-rapide	De 16 à 22 cm
Auxiliaire	De 8 à 14 cm

N'utilisez pas:

- de plaques en fonte, de pierres ollaires, d'ustensiles de cuisson en terre cuite;
- de diffuseurs de chaleur comme des mailles métalliques ou tout autre type;
- deux brûleurs simultanément pour un seul récipient (par exemple, une poissonnière).

ADAPTATION A DIFFÉRENTS TYPES DE GAZ

⚠ Cette opération doit être réalisée par un technicien qualifié.

Si votre appareil est conçu pour fonctionner avec un type de gaz différent de celui indiqué sur l'étiquette signalétique et sur l'étiquette d'information appliquée sur le dessus de la table de cuisson, remplacez les injecteurs. Retirez l'étiquette d'information et conservez-la avec le mode d'emploi.

Utilisez des détendeurs compatibles avec la pression du gaz indiquée dans le mode d'emploi:

- l'injecteur de gaz doit être remplacé par le Service Après-vente ou par un technicien qualifié;
- si l'injecteur n'est pas livré avec l'appareil, commandez-le auprès du Service Après-vente;
- réglez les robinets sur le minimum.

REMARQUE: si vous utilisez du gaz de pétrole liquéfié (G30/G31), la vis de réglage du débit minimal de gaz doit être serrée à fond.

IMPORTANT: si les boutons de commande des brûleurs tournent difficilement, contactez le Service Après-vente pour le remplacement du robinet du brûleur si celui-ci est défectueux.

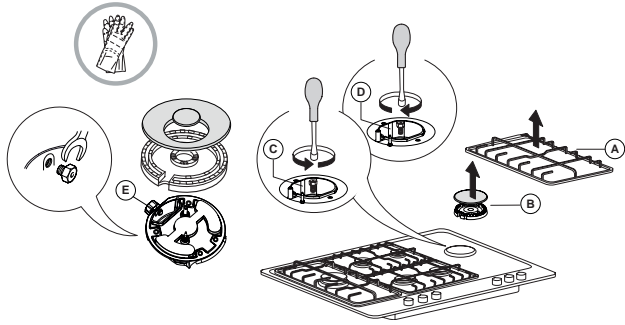
IMPORTANT: si vous utilisez une bouteille de gaz, veillez à ce qu'elle soit correctement installée (orientation verticale).

REPLACEMENT DES INJECTEURS (voir le tableau des injecteurs dans le Consignes de sécurité)

⚠ Cette opération doit être réalisée par un technicien qualifié.

- Retirez les grilles (A).
- Retirez les brûleurs (B).
- Utilisez une clef à douille de taille appropriée et dévissez l'injecteur (C) à remplacer.

- Remplacez-le par l'injecteur compatible avec le nouveau type de gaz.
- Remontez l'injecteur en (D).
- Si vous possédez un brûleur à multiples couronnes, utilisez la clef latérale pour remplacer l'injecteur (E).



Avant d'installer la table de cuisson, n'oubliez pas de coller l'étiquette fournie avec les injecteurs contenant les informations correspondant au gaz utilisé.

RÉGLAGE DES ROBINETS SUR LE MINIMUM

⚠ Cette opération doit être réalisée par un technicien qualifié.

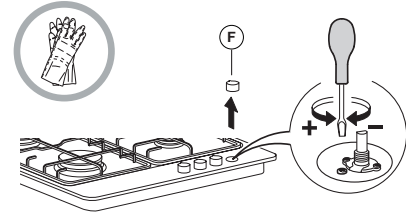
Le réglage doit être effectué avec le robinet sur le minimum (petite flamme).

L'air primaire des brûleurs ne doit pas être réglé.

Pour vous assurer que le réglage minimal est correctement réglé, retirez le bouton (F) et procédez comme suit :

- serrez la vis pour réduire la hauteur de la flamme (-);
- desserrez la vis pour augmenter la hauteur de la flamme (+).

Allumez maintenant les brûleurs et tournez les boutons de la position maximale vers la position minimale pour vérifier la stabilité de la flamme.



Une fois le réglage terminé, refaites le joint en utilisant une cire à cacheter ou un matériau équivalent.

TABLEAU DE CUISSON

NIVEAU	MÉTHODE/TYPE DE CUISSON (SUGGÉRÉ POUR)	CONSEILS DE CUISSON
1-2	GARDER AU CHAUD	Idéal pour ramollir le beurre, faire fondre lentement du chocolat au bain-marie, décongeler les aliments de petite taille, préparer la sauce du risotto.
	CUISSON DOUCE	
3-4	MIJOTER	Idéal pour les recettes exigeant une cuisson lente (riz, sauces, rôtis, poisson) avec des liquides (par ex. eau, vin, bouillon), et pour préparer la sauce des pâtes, en maintenant une lente ébullition.
	CUISSON VAPEUR	
5-6	RÔTIR	Idéal pour les légumes sautés, à la vapeur, des cuissons longues, le préchauffage d'accessoires, la cuisson jusqu'à atteindre une texture crémeuse.
	FAIRE FRIRE	
7-8	SAUTER	Idéal pour dorer, démarrer une cuisson, porter à ébullition rapide, frire des produits surgelés, griller la viande et le poisson, maintenir une ébullition vive.
	GRILLER	
9	CHAUFFAGE RAPIDE	Idéal pour augmenter rapidement la température des aliments ou pour chauffer les liquides (eau).

NETTOYAGE ET ENTRETIEN

⚠ Débranchez l'appareil avant de procéder à son entretien.

NETTOYAGE DE LA SURFACE DE LA TABLE DE CUISSON

- Nettoyez les parties émaillées et en verre à l'eau chaude en utilisant un peu de détergent neutre.
- Si les surfaces en acier inoxydable restent trop longtemps en contact avec de l'eau calcaire ou des détergents corrosifs, des taches risquent de se former. Éliminez tout débordement de liquide (eau, sauce, café, etc.) avant qu'il ne sèche.
- Nettoyez à l'eau chaude en utilisant un détergent neutre, puis essuyez à l'aide d'un chiffon doux ou d'une peau de chamois. Éliminez les résidus carbonisés à l'aide d'un produit de nettoyage spécial pour surfaces en acier inoxydable.

REMARQUE: nettoyez l'inox uniquement avec un chiffon doux ou une éponge.

- N'utilisez en aucun cas de produits abrasifs ou corrosifs, de produits chlorés ou de tampons à recurer.
- N'utilisez pas d'appareils de nettoyage à la vapeur.
- N'utilisez pas de produits inflammables.
- Essuyez immédiatement les substances acides ou alcalines, telles que vinaigre, moutarde, sel, sucre ou jus de citron, qui se sont déposées sur la table de cuisson.

NETTOYAGE DES ÉLÉMENTS DE LA TABLE DE CUISSON

- Nettoyez les parties en verre et émaillées uniquement avec un chiffon doux ou une éponge.
- Les grilles, les chapeaux des brûleurs et les brûleurs peuvent être retirés pour être nettoyés.
- Lavez-les à la main, à l'eau chaude en utilisant un détergent non abrasif. Veillez à éliminer soigneusement tous les résidus d'aliments et assurez-vous qu'aucune des ouvertures des brûleurs n'est obstruée.
- Rincez et séchez.
- **Les grilles en fonte peuvent être nettoyées au lave-vaisselle. Enlevez tous les résidus d'aliments brûlés avant de placer les grilles dans le rack inférieur du lave-vaisselle.**
- Réinstallez les brûleurs et les chapeaux des brûleurs dans leurs logements respectifs.
- Au moment de réinstaller les grilles, assurez-vous que celles-ci sont alignées par rapport au brûleur.
- Sur les modèles équipés de bougies d'allumage électriques et de dispositif de sécurité, veillez à nettoyer soigneusement l'extrémité de la bougie pour garantir son bon fonctionnement. Vérifiez régulièrement l'état de ces éléments et nettoyez-les à l'aide d'un chiffon humide, si nécessaire. Éliminez tout résidu d'aliment à l'aide d'un cure-dent ou d'une aiguille.

REMARQUE: pour ne pas endommager le dispositif d'allumage électrique, actionnez-le uniquement lorsque les brûleurs ont été remis en place.

En cas de mauvais fonctionnement de la table de cuisson, avant de contacter le Service Après-vente, consultez le chapitre Diagnostic des pannes afin d'identifier le problème.

1. Le brûleur ne s'allume pas ou la flamme est irrégulière

Vérifiez que:

- l'alimentation du gaz ou l'alimentation électrique n'est pas coupée et, en particulier, que le robinet d'arrivée du gaz est ouvert;
- la bouteille de gaz (gaz liquide) n'est pas vide;
- les ouvertures des brûleurs ne sont pas obstruées;
- l'extrémité de la bougie n'est pas encrassée;
- tous les éléments des brûleurs sont positionnés correctement;
- Il n'y a pas de courant d'air à proximité de la table de cuisson.

2. Le brûleur ne reste pas allumé

Vérifiez que:

- lors de l'allumage du brûleur, le bouton est maintenu enfoncé pendant un laps de temps suffisant pour permettre au dispositif de protection de s'enclencher;
- les ouvertures du brûleur ne sont pas obstruées à proximité du thermocouple;
- l'extrémité du dispositif de sécurité n'est pas encrassée;
- le réglage du débit minimal de gaz est correct (voir paragraphe correspondant).

3. Les ustensiles de cuisson ne sont pas stables

Vérifiez que:

- le fond des ustensiles de cuisson est parfaitement plat;
- l'ustensile de cuisson est correctement centré sur le brûleur;
- les grilles n'ont pas été inversées ou mises en place de façon incorrecte.

Si le problème persiste après ces vérifications, contactez votre Service Après-vente le plus proche.

SERVICE APRÈS-VENTE

Afin de profiter d'une assistance complète, veuillez enregistrer votre appareil sur www.whirlpool.eu/register.

AVANT D'APPELER LE SERVICE APRÈS-VENTE:

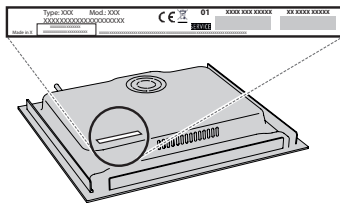
1. Vérifiez en premier lieu si vous pouvez remédier au problème à l'aide des suggestions de la section **GUIDE DE DÉPANNAGE**.
2. Éteignez puis rallumez l'appareil pour voir si le problème persiste.

SI LE PROBLÈME PERSISTE TOUJOURS APRÈS LES VÉRIFICATIONS PRÉCÉDENTES, CONTACTER LE SERVICE APRÈS-VENTE LE PLUS PRÈS.

Pour obtenir du support, appeler le numéro disponible dans le livret de garantie ou suivez les consignes sur le site Web www.whirlpool.eu.

Lorsque vous contactez notre Service Après-vente, toujours préciser:

- une brève description du problème;
- le type et le modèle exact de l'appareil;



- le numéro de série (le numéro après le mot «SN» sur la plaque signalétique située sous l'appareil). Le numéro de série est également disponible dans la documentation;



- votre adresse complète ;
- votre numéro de téléphone.

Si des réparations sont nécessaire, contactez un service après-vente agréé (vous aurez ainsi la garantie que les pièces défectueuses seront remplacées par des pièces d'origine et que la réparation de votre appareil sera effectuée correctement).



Vous trouverez les politiques, la documentation standard et des informations supplémentaires sur le produit :

- En utilisant le QR Code dans votre appareil;
- En visitant notre site Internet docs.whirlpool.eu/docs;
- Vous pouvez également **contacter notre service après-vente** (voir numéro de téléphone dans le livret de garantie). Lorsque vous contactez notre Service après-vente, veuillez indiquer les codes figurant sur la plaque signalétique de l'appareil.



⚠ Deze instructies zijn van toepassing als het landsymbool op het apparaat staat. Als het symbool niet op het apparaat verschijnt, moet u de technische instructies raadplegen om het apparaat aan de gebruiksvoorwaarden van het land aan te passen.

⚠ **VOORZICHTIG:** Gebruik van het gaskooktoestel produceert warmte, vocht en verbrandingsproducten in de ruimte waarin het is geïnstalleerd. Zorg ervoor dat de keuken goed geventileerd is, vooral wanneer het apparaat in gebruik is: zorg voor openingen voor natuurlijke ventilatie of installeer een mechanische ventilatie-inrichting (mechanische afzuigkap). Bij langdurig en intensief gebruik van het apparaat kan extra ventilatie nodig zijn, bijvoorbeeld door het openen van een raam, of een effectievere ventilatie, door het niveau van mechanische ventilatie (indien mogelijk) te verhogen.

⚠ Als u de informatie in deze handleiding niet precies opvolgt, kan dit brand of een ontploffing veroorzaken, met materiële schade of persoonlijk letsel tot gevolg. Lees voordat u het apparaat gaat gebruiken deze veiligheidsinstructies. Houd ze binnen handbereik voor toekomstige raadpleging.

Deze instructies en het apparaat zelf zijn voorzien van belangrijke veiligheidsaanwijzingen, die te allen tijde moeten worden opgevolgd. De fabrikant kan niet aansprakelijk gesteld worden voor schade die het gevolg is van het niet opvolgen van deze veiligheidsinstructies, oneigenlijk gebruik van het apparaat of een foute instelling van de regelknoppen.

⚠ **WAARSCHUWING:** Gebruik het apparaat niet als het oppervlak van de kookplaat gebarsten is - risico op elektrische schokken.

⚠ **WAARSCHUWING:** Brandgevaar: leg geen voorwerpen op de kookoppervlakken.

⚠ **VOORZICHTIG:** Het bereidingsproces moet onder toezicht plaatsvinden. Een kort bereidingsproces moet onder voortdurend toezicht plaatsvinden.

⚠ **WAARSCHUWING:** Onbewaakt bereiden op een kookfornuis met vet of olie kan gevaarlijk zijn - brandgevaar. Probeer een brand NOOIT te blussen met water, maar zet het apparaat uit en bedek de vlam met bijv. een deksel of een branddeken.

⚠ Gebruik de kookplaat niet als werkblad of als steun. Houd kleding of andere brandbare materialen uit de buurt van het apparaat tot alle onderdelen van het apparaat helemaal zijn afgekoeld - brandgevaar.

⚠ Kleine kinderen (0-3 jaar) moeten uit de buurt van het apparaat gehouden worden. Jonge kinderen (3-8 jaar) moeten uit de buurt van het apparaat gehouden worden, tenzij ze constant onder toezicht staan. Kinderen vanaf 8 jaar en personen met verminderde fysieke, sensorische of mentale vermogens of gebrek aan ervaring en kennis, mogen dit apparaat gebruiken indien ze onder toezicht staan of instructies hebben ontvangen over veilig gebruik

en de mogelijke gevaren ervan begrijpen. Kinderen mogen niet spelen met het apparaat. De reiniging en het onderhoud mogen niet door kinderen worden uitgevoerd zonder toezicht.

⚠ **VOORZICHTIG:** schakel bij glasbreuk van de kookplaat onmiddellijk alle branders en eventuele elektrische verwarmingselementen uit en koppel het apparaat los van de netvoeding; raak het oppervlak van het apparaat niet aan; gebruik het apparaat niet.

De glazen afdekking kan inbreken bij opwarming. Schakel alle branders en elektrische platen uit voordat u het deksel sluit. Sluit het deksel niet als er een gasbrander brandt.

⚠ **WAARSCHUWING:** Het apparaat en de toegankelijke onderdelen kunnen heet worden tijdens het gebruik. Wees voorzichtig dat u de verwarmingselementen niet aanraakt. Kinderen jonger dan 8 jaar moeten uit de buurt van het apparaat worden gehouden, tenzij er voortdurend toezicht is.

⚠ Het voedsel mag voor of na de bereiding niet langer dan één uur in of op het product blijven liggen.

TOEGESTAAN GEBRUIK

⚠ **VOORZICHTIG:** het apparaat is niet geschikt voor inwerkingstelling met een externe schakelaar zoals een timer, of een afzonderlijk systeem met afstandsbediening.

⚠ Dit apparaat is bedoeld voor gebruik in huishoudelijke en gelijkaardige toepassingen zoals: personeelskeukens in winkels, kantoren en overige werkomgevingen; landbouwbedrijven; klanten in hotels, motels en andere residentiële omgevingen.

⚠ Elk ander gebruik is verboden (bijv. het verwarmen van kamers).

⚠ Dit apparaat is niet voor professioneel gebruik bestemd. Gebruik het apparaat niet buiten.

⚠ Gebruik pannen met bodems waarvan de diameter gelijk, of iets groter is dan die van de branders (zie tabel). Zorg ervoor dat de pannen op de roosters niet uitsteken buiten de rand van de kookplaat.

⚠ Een verkeerd gebruik van de pannenroosters kan schade aan de kookplaat veroorzaken: positioneer de rooster niet ondersteboven en schuif ze niet over de kookplaat.

Laat de gasvlam nooit buiten de randen van de pan komen.

Als het oppervlak van de kookplaat van glas is gemaakt, gebruik dan geen gietijzeren bakplaten, spekstenen, terracottapotten en pannen.

Gebruik geen: Warmteverdelers zoals een metalen gaas of andere typen. Twee branders tegelijkertijd voor één pan (bijv. vispan).

Indien door de lokale staat van het toegevoerde gas het ontsteken van de brander moeilijk gaat, wordt geadviseerd de bewerking te herhalen met de knop verdraaid naar de kleine vlaminstelling.

Als er een afzuigkap boven de kookplaat wordt geïnstalleerd, zie dan de bij de afzuigkap geleverde instructies voor de juiste afstand.

De beschermende rubberen pootjes op de roosters vormen verstikkingsgevaar voor jonge kinderen. Controleer na het verwijderen van de roosters of alle pootjes correct zijn geplaatst.

INSTALLATIE

⚠ Het apparaat moet verplaatst en geïnstalleerd worden door twee of meer personen - risico op verwondingen.

Gebruik beschermende handschoenen om uit te pakken en te installeren - risico voor snijwonden.

⚠ De elektrische en gasaansluitingen moeten aan de lokale voorschriften voldoen.

⚠ Laat de installatie, m.i.v. de aansluiting op het waternet (indien van toepassing) en de elektrische aansluitingen en reparaties door een gekwalificeerd technicus verrichten. Repareer of vervang geen enkel onderdeel van het apparaat, behalve als dit expliciet aangegeven wordt in de gebruikershandleiding. Houd kinderen uit de buurt van de installatieplaats. Controleer na het uitpakken van het apparaat of het tijdens het transport geen beschadigingen heeft opgelopen. Neem in geval van twijfel contact op met uw leverancier of de dichtstbijzijnde Consumentenservice. Na de installatie moet het verpakkingsmateriaal (plastic, piepschuim enz.) buiten het bereik van kinderen bewaard worden - risico voor verstikking. Het apparaat moet worden losgekoppeld van het elektriciteitsnet voordat u installatiewerkzaamheden uitvoert - risico voor elektrocutie. Tijdens de installatie dient u ervoor te zorgen dat het apparaat de voedingskabel niet beschadigt - risico voor brand of elektrocutie. Activeer het apparaat alleen als de installatie is voltooid.

⚠ **WAARSCHUWING:** Aanpassing van het apparaat en de manier van installeren zijn essentieel om het apparaat veilig en correct te gebruiken in alle andere landen.

⚠ Gebruik drukregelaars die geschikt zijn voor de gasdruk die in de instructies wordt aangegeven.

⚠ De ruimte moet zijn uitgerust met een luchtafzuigsysteem dat alle verbrandingsgassen afvoert.

⚠ De ruimte moet ook een goede luchtcirculatie mogelijk maken, omdat er lucht nodig is voor een normale verbranding. De luchtstroom moet minstens 2 m³/uur per kW geïnstalleerd vermogen bedragen.

⚠ Het luchtcirculatiesysteem kan lucht rechtstreeks van buiten opnemen door middel van een buis met een inwendige doorsnede van ten minste 100 cm²; de opening mag niet gemakkelijk verstopt raken.

⚠ Het systeem kan de lucht voor verbranding ook indirect aanvoeren uit aangrenzende ruimten die zijn uitgerust met luchtcirculatiebuizen zoals hierboven beschreven. Deze ruimten mogen echter geen gemeenschappelijke ruimten of slaapkamers zijn, of ruimten die brandgevaarlijk kunnen zijn.

⚠ Vloeibaar petroleumgas zakt naar de vloer omdat het zwaarder is dan lucht. Daarom moeten kamers met Lpg-cilinders ook zijn uitgerust met ventilatieopeningen om gas te laten ontsnappen in het geval van een lek. Lpg-cilinders, gedeeltelijk of volledig gevuld, mogen daarom niet worden geïnstalleerd of opgeslagen in ruimten of opslagruimten onder het maaiveld (kelders, enz.). Het is raadzaam om alleen de cilinder die in gebruik is in de ruimte te hebben. Deze moet zodanig geplaatst zijn dat hij niet blootstaat aan warmte geproduceerd door externe bronnen (ovens, open haarden, kachels, enz.) die de temperatuur van de cilinder boven 50 °C kunnen laten oplopen.

Als de branderknoppen moeilijk draaien, neem dan contact op met de Klantenservice voor vervanging van de branderkraan, als blijkt dat deze defect is.

Openingen voor ventilatie en warmteafvoer mogen nooit worden afgedekt.

⚠ Voer eerst alle zaagwerkzaamheden uit en verwijder alle spaanders en zaagresten voordat u het apparaat plaatst.

⚠ Als het apparaat niet boven een oven wordt geïnstalleerd, moet een (niet bijgeleverd) scheidingspaneel worden geïnstalleerd in het compartiment onder het apparaat.

GASAANSLUITING

⚠ **WAARSCHUWING:** Controleer vóór de installatie of de lokale toevoer van gas (aard van gas en gasdruk) en de configuratie van het apparaat compatibel zijn.

⚠ Controleer of de druk van de gastoevoer overeenkomt met de waarden in Tabel "Specificaties brander en mondstuk".

⚠ **WAARSCHUWING:** De configuratievoorwaarden voor dit apparaat staan vermeld op het etiket (of het typeplaatje).

⚠ **WAARSCHUWING:** Dit apparaat is niet aangesloten op een afvoerinstallatie voor verbrandingsproducten. Het moet geïnstalleerd en aangesloten worden volgens de geldende installatievoorschriften. Besteed speciale aandacht aan de relevante vereisten met betrekking tot ventilatie.

⚠ Als het apparaat op vloeibaar gas is aangesloten, moet de regelschroef zo strak mogelijk worden aangedraaid.

⚠ **BELANGRIJK:** Als een gascilinder of gashouder gebruikt wordt, moet deze juist geplaatst worden (verticaal).

⚠ **WAARSCHUWING:** Deze handeling moet door een gekwalificeerd monteur worden uitgevoerd.

⚠ Gebruik alleen een flexibele of stijve metalen leiding voor de gasaansluiting.

⚠ Aansluiting met een inflexibele leiding (koper of staal). De aansluiting op het gassysteem moet zodanig worden uitgevoerd, dat er geen spanning op het apparaat komt te staan. Er zit een verstelbare L-vormige buisfitting op het aanvoersysteem van het apparaat. Deze fitting is voorzien van een afdichting om lekken te voorkomen. De afdichting moet altijd worden vervangen na het draaien van de buisfitting (de afdichting is bij het apparaat geleverd). De fitting van de gastoeverbuis is een cilindrische mannelijke bevestiging (1/2 gas) met schroefdraad.

⚠ Een flexibele naadloze roestvrijstalen leiding aansluiten op een schroefdraadbevestiging. De fitting van de gastoeverbuis is een cilindrische mannelijke bevestiging (1/2 gas) met schroefdraad. Deze leidingen moeten zodanig worden geïnstalleerd dat ze nooit langer zijn dan 2000 mm wanneer ze volledig zijn uitgeschoven. Zorg er nadat de verbinding tot stand is gebracht voor dat de flexibele metalen leiding geen bewegende delen raakt en niet is samengedrukt. Gebruik alleen leidingen en afdichtingen die voldoen aan de geldende regelgeving in het land van installatie.

⚠ **BELANGRIJK:** Als een roestvrijstalen slang wordt gebruikt, moet deze zodanig worden geïnstalleerd dat hij geen bewegende delen van het meubilair raakt (bijvoorbeeld laden). De slang moet door een gedeelte

zonder obstakels worden geleid, waar de leiding over de gehele lengte gecontroleerd kan worden.

⚠ Het apparaat moet worden aangesloten op de hoofdgastoevoer of op een gascilinder die voldoet aan de geldende regelgeving in het land van installatie. Controleer voordat u de aansluiting uitvoert of het apparaat compatibel is met de gastoevoer die u wilt gebruiken. Als dit niet het geval is, volg dan de instructies in de paragraaf "Aanpassing aan verschillende gassoorten".

⚠ Controleer na aansluiting op de gastoevoer met zeepwater op lekkages. Steek de branders aan en draai de knoppen van de hoogste stand 1* naar de laagste stand 2* om de stabiliteit van de vlam te controleren.

AANPASSING AAN VERSCHILLENDE GASSOORTEN

(Deze bewerking moet worden uitgevoerd door een gekwalificeerde technicus).

⚠ Volg de stappen na de installatietekeningen voor aanpassing van het apparaat aan een ander type gas dan het type waarvoor het is vervaardigd (aangegeven op de classificatietabel).

ELEKTRISCHE WAARSCHUWINGEN

⚠ **BELANGRIJK:** Informatie over stroom- en spanningsverbruik vindt u op het typeplaatje.

⚠ Het moet mogelijk zijn het apparaat van het elektriciteitsnet af te koppelen door de stekker uit het stopcontact te halen of via een meerpolige netschakelaar die bovenstrooms van het stopcontact is geplaatst conform de bedradingsvoorschriften en het apparaat dientgeaardtezijnconformdenationaleveiligheidsnormen voor elektriciteit.

⚠ De stroomkabel moet lang genoeg zijn om het apparaat, nadat dit is ingebouwd in het meubel, te kunnen aansluiten op het stopcontact van de netvoeding. Niet aan de stroomkabel trekken.

⚠ Gebruik geen verlengsnoeren, meervoudige stopcontacten of adapters. Als de installatie voltooid is, mogen de elektrische onderdelen niet meer toegankelijk zijn voor de gebruiker. Gebruik het apparaat niet wanneer u natte voeten hebt of blootsvoets bent. Gebruik het apparaat niet als de stroomkabel of de stekker beschadigd is, als het apparaat niet goed werkt of als het beschadigd of gevallen is.

⚠ Als het netsnoer beschadigd is, moet het vervangen worden door een identiek exemplaar door de fabrikant, een servicevertegenwoordiger of gekwalificeerd personeel om risico's te voorkomen - risico op elektrische schokken.


REINIGEN EN ONDERHOUD

⚠ **WAARSCHUWING:** Het apparaat moet worden losgekoppeld van het elektriciteitsnet voordat u onderhoudswerkzaamheden uitvoert; gebruik geen stoomreinigers - risico van elektrocutie.

⚠ Gebruik geen schurende of bijtende producten, reinigingsmiddelen op chloorbasis of schuursponsjes.

⚠ Om beschadiging van de elektrische ontstekingsinstallatie te voorkomen, dienen deze niet gebruikt te worden wanneer de branders zich niet in hun behuizing bevinden.

VERWERKING VAN DE VERPAKKING


De verpakking kan volledig gerecycled worden, zoals door het recyclingssymbool wordt aangegeven .

De diverse onderdelen van de verpakking mogen daarom niet bij het gewone huisvuil worden weggegooid, maar moeten worden afgevoerd volgens de plaatselijke voorschriften.

AFDANKEN VAN HUISHOUDELIJKE APPARATUUR

Dit apparaat is vervaardigd van recyclebaar of herbruikbaar materiaal. Dank het apparaat af in overeenstemming met plaatselijke milieuvoorschriften voor afvalverwerking. Voor meer informatie over behandeling, terugwinning en recycling van huishoudelijke apparaten kunt u contact opnemen met uw plaatselijke instantie, de vuilnisophaaldienst of de winkel waar u dit apparaat hebt gekocht. Dit apparaat is gemarkeerd in overeenstemming met de Europese Richtlijn 2012/19/EU, Afgedankte Elektrische en Elektronische Apparatuur (AEEA) en met de Regeling Afgedankte Elektrische en Elektronische Apparatuur 2013 (zoals gewijzigd).

Door ervoor te zorgen dat dit product correct wordt afgedankt, helpt u schadelijke gevolgen voor het milieu en de gezondheid te voorkomen.

Het symbool  op het product of op de begeleidende documentatie geeft aan dat dit apparaat niet als huishoudelijk afval behandeld mag worden, maar dat het ingeleverd moet worden bij een speciaal inzamelingscentrum voor de recycling van elektrische en elektronische apparatuur.

TIPS OM ENERGIE TE BESPAREN

Gebruik potten en pannen waarvan de diameter van de bodem gelijk is aan de kookzone.

Gebruik alleen kookpotten en pannen met een vlakke bodem.

Laat indien mogelijk de deksels op de potten zitten tijdens het koken.

Gebruik een snelkookpan, om nog meer energie en tijd te besparen.

CONFORMITEITSVERKLARING

Dit apparaat voldoet aan de Ecodesign-vereisten van Europese verordening 66/2014 en de Ecodesign Verordeningen 2019 voor energiegerelateerde producten en energie-informatie (Wijziging) (EU Exit), in overeenstemming met de Europese norm EN 30-2-1.

Soort gas dat gebruikt wordt	Type brander	Type sproeier	Nominale thermisch vermogen kW	Nominiaal verbruik	Beperkt thermisch vermogen kW		Gasdruk mbar		
					FR	BE	min.	nom.	max.
AARDGAS (Methaan) G20	Snelle brander (R)	128 B	3,00	286 l/h	0,60	0,80	17	20	25
	Semi-snelle brander (SR)	97	1,65	157 l/h	0,35	0,45			
	Hulp brander (AUX)	78 A	1,00	95 l/h	0,30	0,35			
	2-Rings brander (DC)	149 H3	4,00	381 l/h	2,20	2,30			
VLOEIBAAR GAS (Butaan) G30	Snelle brander (R)	87	3,00	218 g/h	0,60		20	28-30	35
	Semi-snelle brander (SR)	67	1,65	120 g/h	0,35				
	Hulp brander (AUX)	50	1,00	73 g/h	0,30				
	2-Rings brander (DC)	100	4,00	291 g/h	1,90				
VLOEIBAAR GAS (Propan) G31	Snelle brander (R)	87	3,00	214 g/h	0,60		25	37	45
	Semi-snelle brander (SR)	67	1,65	118 g/h	0,35				
	Hulp brander (AUX)	50	1,00	71 g/h	0,30				
	2-Rings brander (DC)	100	4,00	286 g/h	1,90				

Soort gas dat gebruikt wordt	Configuratie model 5 BRANDERS	Nominale thermische vermogen (kW)	Totaal nominaal verbruik	Benodigde lucht (m ³) voor verbranding van 1m ³ gas
G20 20 mbar	1R - 2SR - 1AUX - 1DC	11,30	1076 l/h	9,52
G30 28-30 mbar	1R - 2SR - 1AUX - 1DC	11,30	822 g/h	30,94
G31 37 mbar	1R - 2SR - 1AUX - 1DC	11,30	807 g/h	23,80

ELEKTRISCHE VOEDING: 220-240 V ~ 50-60 Hz - 0,6 W

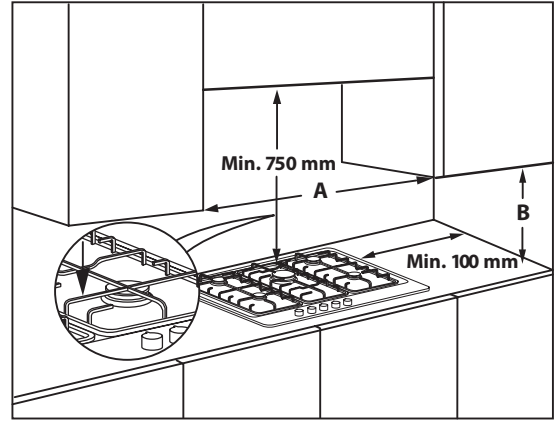
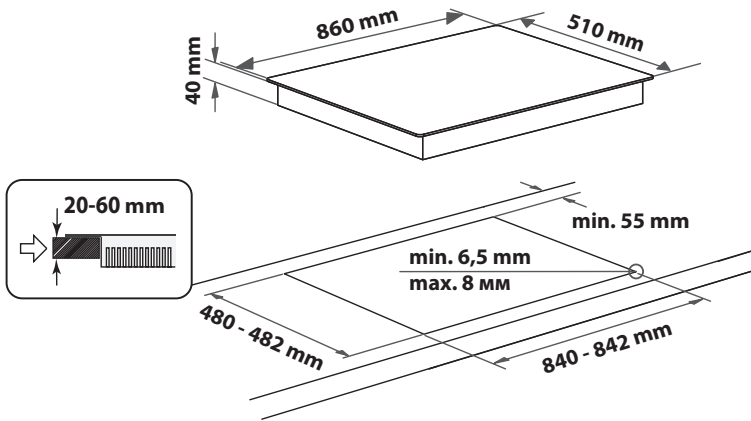


INSTALLATIE (KLASSE 3)

TECHNISCHE INFORMATIE VOOR DE INSTALLATEUR

- Gebruik beschermende handschoenen voor de behandeling, voorbereiding en installatie van het product.
- Dit product kan worden opgenomen in een werkblad met een dikte van 20 tot 60 mm.
- Indien er geen oven onder de kookplaat aanwezig is, breng dan een scheidingspaneel waarvan de oppervlakte op zijn minst zo groot is als de opening in het werkblad. Dit paneel moet op een afstand van maximaal 150 mm onder het bovenste oppervlak van het werkblad gepositioneerd worden. In geen geval mag de afstand tot de onderzijde van de kookplaat kleiner dan 20 mm zijn. Indien u een oven onder de kookplaat wenst in te bouwen, zorg dan dat de oven is uitgerust met een koelsysteem.

AAN TE HOUDEN AFMETINGEN EN AFSTANDEN



OPMERKING: Als de afstand "A" tussen de muurkasten tussen de 600 mm en de 730 mm bedraagt, dient de hoogte "B" minimaal 530 mm te zijn. Als de afstand "A" tussen de muurkasten groter is dan de breedte van de kookplaat, moet de hoogte "B" minimaal 400 mm bedragen. Als er een afzuigkap boven de kookplaat wordt geïnstalleerd, zie dan de bij de afzuigkap geleverde instructies voor de juiste afstand.

MONTAGE

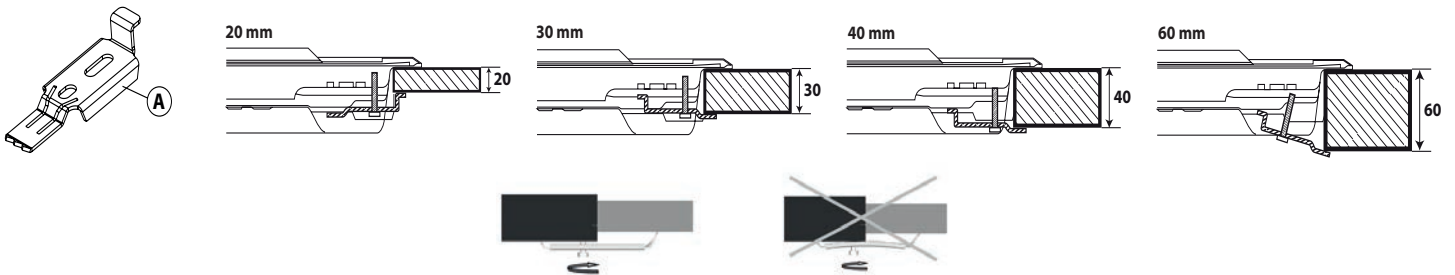
Na het reinigen van het omliggende oppervlak, past u de meegeleverde pakking toe op de kookplaat zoals weergegeven in de afbeelding.



Plaats de kookplaat in de opening van het werkblad en neem de afmetingen in acht die in de Instructies werden aangegeven.

OPMERKING: het netsnoer moet voldoende lang zijn om deze omhoog te kunnen trekken.

Om de kookplaat vast te maken, gebruikt u de meegeleverde steunen (A). Plaats de steunen in de desbetreffende booropeningen aangeduid met de pijl en maak deze vast met hun schroeven afhankelijk van de dikte van het werkblad (zie de volgende afbeeldingen).

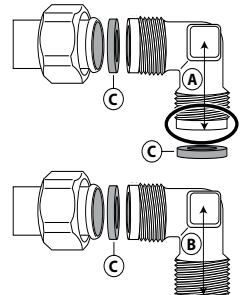


GASAANSLUITING

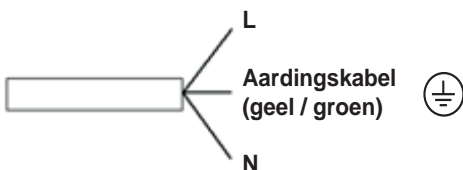
- Sluit het meegeleverde hoekstuk (A)* of (B)* op de hoofdinaatleiding van de kookplaat aan en plaats de meegeleverde ring (C) in overeenstemming met EN 549.

* Gebruik hoekstuk (A) voor Frankrijk en hoekstuk (B) voor alle overige bestemmingen.

- Controleer na aansluiting op de gastoevoer met zeepwater op lekkages. Ontsteek de branders en draai de knoppen van de maximale stand naar de minimale stand om de vlamstabiliteit te controleren.



ELEKTRISCHE AANSLUITING

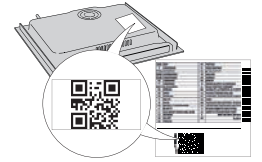
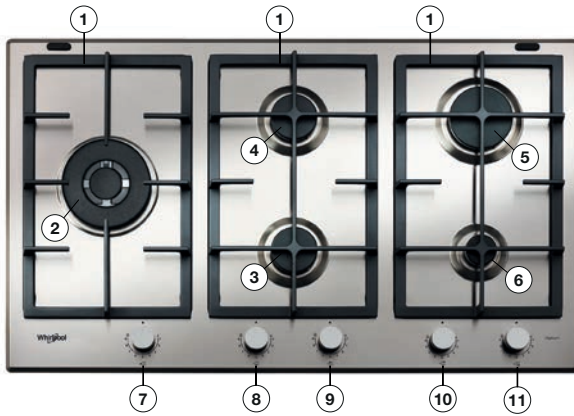



DANK U WEL VOOR UW AANKOOP VAN EEN WHIRLPOOL PRODUCT

Voor verdere assistentie kunt u het apparaat registreren op www.whirlpool.eu/register.





Lees de instructies aandachtig voordat u het apparaat gebruikt.

SCAN DE QR-CODE OP UW APPARAAT VOOR MEER INFORMATIE

PRODUCTBESCHRIJVING


1. Verwijderbare pannensteunroosters
2. 2-rings brander
3. Semi-snelle brander
4. Semi-snelle brander
5. Snelle brander
6. Hulpbrander
7. Bedieningsknop 2-rings brander
8. Bedieningsknop semi-snelle brande
9. Bedieningsknop semi-snelle brande
10. Bedieningsknop snelle brande
11. Bedieningsknop hulpbrander

Symbolen

- Grijs weergegeven circe ● Kraan gesloten
- Grote vlam  Maximale opening/toevoer en elektrische ontsteking
- Kleine vlam  Minimale opening of gereduceerde toevoer


DAGELIJKS GEBRUIK
GEBRUIK VAN DE KOOKPLAAT

 Laat de vlam van de brander niet voorbij de rand van de pan komen.

BELANGRIJK: bij gebruik van de kookplaat kan de hele kookplaat heet worden

- Om een van de branders te ontsteken, draai de betreffende knop linksom naar de maximale vlaminstelling.
- Druk de knop tegen het bedieningspaneel om de brander te ontsteken.
- Nadat de brander ontstoken is, houdt u de knop ongeveer 5-10 seconden ingedrukt voor een correcte werking van het apparaat.
- Deze veiligheidsvoorziening van de brander onderbreekt de gastoevoer naar de brander als de vlam per ongeluk uitgaat (door een plotselinge tocht, een onderbreking van de gastoevoer, het overkoken van vloeistoffen, etc.).
- **De knop mag niet langer dan 15 sec. ingedrukt worden. Als de brander na die tijd niet blijft branden, wacht dan minstens 1 minuut voordat u probeert de brander opnieuw te ontsteken.**

OPMERKING: indien door de lokale staat van het toegevoerde gas het ontsteken van de brander moeilijk gaat, wordt geadviseerd de bewerking te herhalen met de knop verdraaid naar de kleine vlaminstelling.

De brander kan uitgaan wanneer de knop wordt losgelaten. Dit betekent dat de veiligheidsvoorziening niet voldoende is opgewarmd. In dit geval moeten de bovenstaande bewerkingen herhaald worden.

Mocht een gasbrander per ongeluk uitgaan, draai dan de knop uit en wacht minstens 1 minuut voordat u hem weer probeert aan te steken.

PRAKTISCHE WENKEN VOOR HET GEBRUIK VAN DE BRANDERS

Deze kookplaat heeft branders met verschillende diameters. Neem voor betere branderprestaties de volgende regels in acht:

- gebruik potten en pannen van dezelfde breedte als die van de branders of iets groter (zie de tabel rechts);
- gebruik uitsluitend potten en pannen met een platte bodem;
- gebruik de correcte hoeveelheid water voor het koken van etenswaren en houd de pan afgedekt;
- zorg dat de pannen op de roosters niet over de rand van de kookplaat steken;
- gebruik in geval van pannen met een holle bodem (wok) de niet meegeleverde steungrielle, die alleen op de multirings brander gepositioneerd mag worden;
- vermijd per ongeluk met pannen, roosters of ander keukengerei tegen de plaat aan te stoten;
- laat lege vleesroosters nooit langer dan 5 minuten op een ontstoken brander staan.

BELANGRIJK: onjuist gebruik van de roosters kan resulteren in beschadiging van de kookplaat: positioneer de rooster niet ondersteboven en schuif ze niet over de kookplaat.

BRANDER	PAN Ø
2-Rings brander	Van 24 tot 26 cm
Snelle brander	Van 24 tot 26 cm
Semi-snelle brander	Van 16 tot 20 cm
Hulpbrander	Van 8 tot 14 cm

Gebruik geen:

- Gietijzere grillplaten, grilsteenplaten, aardewerken potten en pannen.
- Warmteverdelers zoals een metalen gaas of andere typen.
- Twee branders tegelijkertijd voor één pan (bijv. vispan).

AANPASSING AAN VERSCHILLENDE GASTYPEN

 Deze bewerking moet door een erkend monteur worden uitgevoerd.

Indien het apparaat bedoeld is voor gebruik met een ander gas dan het gastype dat op het typeplaatje en informatielabel bovenop de kookplaat wordt vermeld, moeten de injectoren vervangen worden. Verwijder het informatielabel en bewaar dit bij het instructieboekje.

Gebruik drukregelaars die geschikt zijn voor de gasdruk die in de Instructies wordt aangegeven:

- De sproeier moet worden vervangen door de Klantenservice of door een gekwalificeerd monteur.
- Als een sproeier die niet bij het apparaat is geleverd, moet deze worden besteld bij de Klantenservice.
- Stel de minimuminstelling van de kranen af.

OPMERKING: indien vloeibaar petroleumgas (lpg) wordt gebruikt (G30/G31), moet de schroef voor de minimumgasinstelling zo ver mogelijk worden aangehaald.

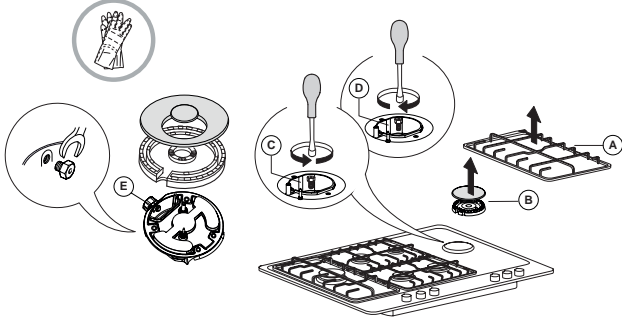
BELANGRIJK: indien u moeilijkheden ondervindt bij het draaien van de branderknoppen, neem dan contact op met de Klantenservice om de branderkraan te vervangen als wordt vastgesteld dat deze defect is.

BELANGRIJK: als de gasflus wordt overgenomen, moet de gasflus of houder correct aangebracht worden (verticale richting).

DE INJECTOREN VERVANGEN (zie de injectortabel in de Veiligheidsvoorschriften)

⚠ Deze bewerking moet door een erkend monteur worden uitgevoerd.

- Verwijder roosters (A).
- Verwijder branders (B).
- Gebruik een dopsleutel van de juiste grootte om de injector los te draaien (C) die vervangen moet worden.
- Vervang de injector door de injector die geschikt is voor het nieuwe gastype.
- Monteer de verstuiver (D).
- Indien u een brander met meervoudige branderkronen heeft, gebruik dan een steeksleutel om de injector te vervangen (E).



Vergeet voordat u de kookplaat installeert niet om de bij de verstuivers meegeleverde gaskalibratieplaat zodanig te bevestigen dat deze de bestaande informatie met betrekking tot de gaskalibratie afdekt.

BEREIDINGSTABEL

NIVEAU	BEREIDINGSMETHODE/TYPE (AANBEVOLEN VOOR)	KOOKTIPS
1-2	WARMHOUDEN	Ideaal om boter zacht te maken, voorzichtig chocolade te smelten au bain-marie, producten van kleine afmetingen te ontdooiën, rijstgerechten smeugig te maken.
	ZACHTJES KOKEN	
3-4	SUDDEREN	Ideaal voor lange bereidingen (rijst, sauzen, braadstukken, vis) met vocht (water, wijn, bouillon) en om pasta smeugig te maken, en zachtjes aan de kook te houden.
	STOVEN	
5-6	ROOSTEREN	Ideaal om te sauteren, om groenten te stoven, om lang te koken, om accessoires voor te verwarmen, om gerechten te koken tot ze smeugig zijn.
	BAKKEN	
7-8	ROERBAKKEN	Ideaal om aan te braden, een bereiding te starten, vloeistof snel aan de kook te brengen, diepvriesproducten te bakken, vlees en vis te grillen, om goed aan de kook te houden.
	GRILLEN	
9	SNEL VERWARMEN	Ideaal om de temperatuur van het voedsel snel omhoog te brengen of om vloeistoffen (water) te verwarmen.

ONDERHOUD EN SCHOONMAKEN

⚠ Trek de stekker uit het stopcontact.

HET OPPERVLAK VAN DE KOOKPLAAT REINIGEN

- Alle geëmailleerde en glazen onderdelen moeten met warm water en een neutrale oplossing gereinigd worden.
- Er kunnen vlekken op roestvrijstalen oppervlakken ontstaan indien deze te lang worden blootgesteld aan kalkrijk water of agressieve reinigingsmiddelen. Eventueel gemorst eten (water, saus, koffie, etc.) dient verwijderd te worden voordat dit opdroogt.
- Reinig met warm water en een neutraal reinigingsmiddel en droog vervolgens met een zachte doek of zeemleer. Verwijder ingebakken vuil met specifieke reinigingsmiddelen voor roestvrijstalen oppervlakken.

OPMERKING: reinig roestvrijstaal alleen met een zachte doek of spons.

- Gebruik geen schurende of bijtende products, reinigingsmiddelen op chloorbasis of schuursponsjes.
- Gebruik geen stoomreinigers.
- Gebruik geen brandbare producten.
- Laat geen zure of basische stoffen, zoals azijn, mosterd, zout, suiker of Citroensap op de kookplaat achter.

MINIMUMGASINSTELLING VAN KRANEN AFSTELLEN

⚠ Deze bewerking moet door een erkend monteur worden uitgevoerd.

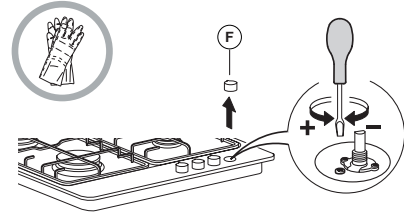
De afstelling moet worden uitgevoerd met de kraan in de stand van de minimumgasinstelling (kleine vlam).

De primaire luchttoevoer van de branders hoeft niet aangepast te worden.

Om ervoor te zorgen dat de minimuminstelling correct wordt aangepast, moet de knop (F) verwijderd worden en dient u als volgt te werk te gaan:

- haal de schroef aan om de vlamhoogte te verkleinen (-);
- draai de schroef los om de vlamhoogte te vergroten (+).

Ontsteek nu de branders en draai de knoppen van de maximale stand naar de minimale stand om de vlamstabiliteit te controleren.



Na het voltooien van de afstelling, dient u afdichtwas of een vergelijkbaar materiaal te gebruiken om af te dichten.

DE ONDERDELEN VAN DE KOOKPLAAT REINIGEN

- Reinig glazen en geëmailleerde onderdelen alleen met een zachte doek of spons.
- Roosters, branderkappen en branders kunnen voor reiniging verwijderd worden.
- Reinig ze handmatig met warm water en een niet-bijtend reinigingsmiddel, verwijder eventuele voedselresten en controleer dat er geen branderopeningen verstopt zijn.
- Afspoelen en drogen.
- **De gietijzeren roosters mogen in de vaatwasser. Verwijder aangebrand voedsel voordat u de roosters in het onderste rek in de vaatwasser plaatst.**
- Breng de branders en branderkappen weer correct in de betreffende behuizingen aan.
- Zorg bij het terugplaatsen van de roosters dat het pannensteungedeelte in lijn is met de brander.
- Bij modellen die zijn uitgerust met elektrische ontstekingspluggen en een veiligheidsvoorziening moet het uiteinde van de plug grondig schoongemaakt worden voor een correcte werking. Controleer deze items regelmatig en reinig ze indien nodig met een vochtige doek. Eventueel ingebakken voedsel moet met een tandenstoker of naald verwijderd worden.

OPMERKING: Om beschadiging van de elektrische ontstekingsinstallatie te voorkomen, dienen deze niet gebruikt te worden wanneer de branders zich niet in hun behuizing bevinden.

Indien de kookplaat niet naar behoren werkt, probeer dan aan de hand van Opsporen van storingen het probleem vast te stellen voordat u de Klantenservice belt.

1. De brander ontsteekt niet of de vlam is niet gelijk

Ga na of:

- De gas- of stroomtoevoer niet is afgesloten en vooral of de kraan van de gastoevoer open is.
- De gasfles (vloeibaar gas) niet leeg is.
- De branderopeningen niet verstopt zijn.
- Het uiteinde van de ontstekingsplug niet vuil is.
- Alle branderonderdelen correct gepositioneerd zijn.
- Er geen tocht in de buurt van de kookplaat is.

2. De brander blijft niet branden

Ga na of:

- Bij het ontsteken van de brander de knop lang genoeg is ingedrukt om de veiligheidsvoorziening te activeren.
- De branderopeningen in de buurt van het thermokoppel niet verstopt zijn.
- Het uiteinde van de veiligheidsvoorziening niet vuil is.
- De minimugastelling correct is (zie de betreffende paragraaf).

3. De houders zijn niet stabiel

Ga na of:

- De onderzijde van de houder volledig vlak is.
- De houder gecentreerd op de brander gepositioneerd is.
- De roosters niet vervangen of incorrect gepositioneerd zijn.

Als na het uitvoeren van deze controles de storing nog steeds aanwezig is, contact opnemen met de dichtstbijzijnde Klantenservice.

CONSUMENTENSERVICE

Voor verdere assistentie kunt u het apparaat registreren op www.whirlpool.eu/register.

VOORDAT U CONTACT OPNEEMT MET DE KLANTENSERVICE:

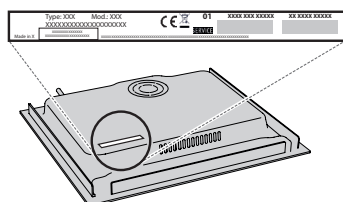
1. Kijk of u het probleem zelf kunt oplossen met behulp van de aanwijzingen in het hoofdstuk **PROBLEEMOPLOSSING**.
2. Zet het apparaat aan en uit om te controleren of het probleem is opgelost.

ALS NA HET UITVOEREN VAN DEZE CONTROLES DE STORING NOG STEEDS AANWEZIG IS, NEEMT U CONTACT OP MET DE DICHTSTBIJZIJNDE KLANTENSERVICE.

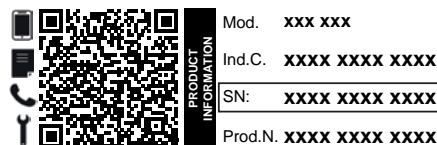
Om assistentie te vragen, bel het nummer aangegeven in het garantieboekje of volg de instructies op de website www.whirlpool.eu.

Wanneer u contact opneemt met onze Klantendienst, vermeld altijd:

- een korte beschrijving van de storing;
- het type en het exacte model van het apparaat;



- het serienummer (nummer na het woord SN op het kenplaatje onder het apparaat). Het serienummer staat ook in de documentatie;



- uw volledige adres;
- uw telefoonnummer

Wend u tot een erkende Whirlpool Consumenten Service indien reparatie noodzakelijk is (alleen dan heeft u zekerheid dat originele vervangingsonderdelen worden gebruikt en de reparatie correct wordt uitgevoerd).

Beleid, standaarddocumentatie en aanvullende productinformatie vindt u:

- Met de QR-code van uw apparaat;
- Op onze website docs.whirlpool.eu/docs;
- Anders, **contacteer onze Klantenservice** (Het telefoonnummer staat in het garantieboekje). Wanneer u contact opneemt met de Klantenservice, gelieve de codes te vermelden die op het identificatieplaatje van het apparaat staan.



NORME DI SICUREZZA

⚠ Queste istruzioni sono valide se sull'apparecchio è riportato il simbolo del paese. Se il simbolo del paese non è presente sull'apparecchio occorre fare riferimento alle istruzioni tecniche, che contengono le istruzioni necessarie per la modifica dell'apparecchio secondo le condizioni d'uso del paese.

⚠ **ATTENZIONE:** l'uso di apparecchi di cottura a gas causa la produzione di calore, umidità e prodotti di combustione nel locale di installazione. La cucina deve essere ben ventilata, soprattutto durante l'uso dell'apparecchio: tenere aperti i canali di ventilazione naturali o installare un dispositivo di ventilazione meccanica (una cappa di estrazione meccanica). Un uso intensivo e prolungato dell'apparecchio può richiedere una ventilazione supplementare o più efficace, ad esempio l'apertura di una finestra o, se possibile, l'attivazione a una maggiore velocità di un dispositivo di ventilazione meccanica.

⚠ La mancata osservanza delle informazioni contenute in questo manuale può causare rischi di incendio o esplosione, con conseguenti danni materiali o lesioni personali.

Prima di utilizzare l'apparecchio, leggere le seguenti norme di sicurezza. Conservarle per eventuali consultazioni successive.

Questo manuale e l'apparecchio sono corredati da importanti avvertenze di sicurezza, da leggere e rispettare sempre. Il fabbricante declina qualsiasi responsabilità che derivi dalla mancata osservanza delle presenti istruzioni di sicurezza, da usi impropri dell'apparecchio o da errate impostazioni dei comandi.

⚠ **AVVERTENZA:** Se la superficie del piano cottura è incrinata, non utilizzare l'apparecchio per evitare il rischio di folgorazione.

⚠ **AVVERTENZA:** Pericolo di incendio: non appoggiare oggetti sulle superfici di cottura.

⚠ **ATTENZIONE:** Il processo di cottura deve essere sorvegliato. I processi di cottura brevi richiedono una supervisione continua.

⚠ **AVVERTENZA:** La cottura non sorvegliata su un piano di cottura con grasso e olio può essere pericolosa e generare incendi. Non tentare MAI di spegnere le fiamme con acqua. Al contrario, spegnere l'apparecchio e soffocare le fiamme, ad esempio con un coperchio o una coperta antincendio.

⚠ Non utilizzare il piano di cottura come superficie di lavoro o appoggio. Non avvicinare all'apparecchio stoffe o altri materiali infiammabili fino a che tutti i componenti non si siano completamente raffreddati per evitare il rischio di incendi.

⚠ Tenere l'apparecchio fuori dalla portata dei bambini di età inferiore a 3 anni. Senza la sorveglianza costante di un adulto, tenere l'apparecchio fuori dalla portata dei bambini di età inferiore a 8 anni. I bambini di età superiore agli 8 anni, le persone con ridotte capacità fisiche, sensoriali o mentali e le persone che non abbiano esperienza o conoscenza dell'apparecchio potranno utilizzarlo solo sotto sorveglianza, o quando siano state istruite sull'utilizzo sicuro dell'apparecchio e siano consapevoli dei rischi del suo utilizzo. Vietare ai bambini di giocare con l'apparecchio. La pulizia e la manutenzione ordinaria non devono essere effettuate da bambini senza la supervisione di un adulto.

IMPORTANTE: DA LEGGERE E OSSERVARE

⚠ **ATTENZIONE:** in caso di rottura del vetro del piano di cottura: spegnere immediatamente tutti i bruciatori e le resistenze elettriche e scollegare l'apparecchio dall'alimentazione, non toccare la superficie dell'apparecchio; non utilizzare l'apparecchio.

Il coperchio di vetro può rompersi se viene riscaldato. Prima di chiudere il coperchio, spegnere tutti i bruciatori e le piastre elettriche. Non chiudere il coperchio se i bruciatori sono accesi.

⚠ **AVVERTENZA:** L'apparecchio e i suoi componenti accessibili possono diventare molto caldi durante l'uso. Fare attenzione a non toccare gli elementi riscaldanti. Tenere lontani i bambini di età inferiore agli 8 anni, a meno che non siano costantemente sorvegliati.

⚠ L'alimento non deve essere lasciato nel o sul prodotto per più di un'ora prima o dopo la cottura.

USO CONSENTITO

⚠ **ATTENZIONE:** l'apparecchio non è destinato ad essere messo in funzione mediante un dispositivo di commutazione esterno, ad esempio un temporizzatore, o attraverso un sistema di comando a distanza separato.

⚠ L'apparecchio è destinato all'uso domestico e ad applicazioni analoghe, quali: aree di cucina per il personale di negozi, uffici e altri contesti lavorativi; agriturismi; camere di hotel, motel, bed & breakfast e altri ambienti residenziali.

⚠ Non sono consentiti altri usi (ad esempio, il riscaldamento di locali).

⚠ Questo apparecchio non è destinato all'uso professionale. Non utilizzare l'apparecchio all'aperto.

⚠ Utilizzare pentole e tegami di diametro pari o leggermente superiore al diametro dei bruciatori (vedere la tabella). Evitare che le pentole, posizionate sulle griglie, fuoriescano dal perimetro del piano di cottura.

⚠ L'uso improprio delle griglie potrebbe danneggiare il piano: evitare di appoggiare le griglie capovolte o di trascinarle sul piano.

Non lasciare che la fiamma del bruciatore si estenda oltre il bordo della pentola.

Se la superficie del piano è in vetro, non utilizzare le bisticchiere in ghisa, le pietre di collare, le pentole e le padelle in terracotta.

Non utilizzare: dissipatori di rete metallica o di altro tipo; due bruciatori simultaneamente per la cottura con un solo recipiente (ad esempio una pesciera).

Qualora particolari condizioni del gas erogato localmente rendessero difficoltosa l'accensione del bruciatore, si consiglia di ripetere l'operazione con la manopola ruotata sulla posizione della fiamma piccola.

In caso di installazione di una cappa sul piano di cottura, fare riferimento alle relative istruzioni per la distanza corretta.

I piedini di protezione in gomma sotto le griglie potrebbero essere ingeriti dai bambini piccoli rappresentando il rischio di soffocamento. Dopo avere rimosso le griglie, controllare che tutti i piedini siano montati correttamente.

INSTALLAZIONE

⚠ Per evitare il rischio di lesioni personali, le operazioni di movimentazione e installazione dell'apparecchio devono essere eseguite da almeno due persone. Per evitare rischi di taglio, durante le operazioni di disimballaggio e installazione utilizzare i guanti protettivi.

⚠ I collegamenti di gas ed elettricità devono essere conformi alle norme locali.

⚠ L'installazione, comprendente anche eventuali raccordi per l'alimentazione idrica e i collegamenti elettrici, e gli interventi

di riparazione devono essere eseguiti da personale qualificato. Non riparare o sostituire qualsiasi parte dell'apparecchio se non espressamente richiesto nel manuale d'uso. Tenere i bambini a distanza dal luogo dell'installazione. Dopo aver disimballato l'apparecchio, assicurarsi che non sia stato danneggiato durante il trasporto. In caso di problemi, contattare il rivenditore o il Servizio Assistenza. A installazione completata, conservare il materiale di imballaggio (parti in plastica, polistirolo, ecc.) fuori della portata dei bambini per evitare potenziali rischi di soffocamento. Prima di procedere all'installazione, scollegare l'apparecchio dalla rete elettrica per non correre il rischio di scosse elettriche. Per evitare il rischio di incendio o di folgorazione, durante l'installazione assicurarsi che l'apparecchio non danneggi il cavo di alimentazione. Attivare l'apparecchio solo dopo avere completato la procedura di installazione.

⚠ **AVVERTENZA:** la modifica dell'apparecchio e del metodo di installazione sono essenziali per il suo utilizzo sicuro e corretto in ogni paese.

⚠ Utilizzare regolatori di pressione idonei alla pressione del gas indicata nelle istruzioni.

⚠ Il locale deve essere provvisto di un sistema di estrazione dell'aria in grado di espellere i fumi prodotti dalla combustione.

⚠ Il locale deve inoltre consentire un'adeguata circolazione dell'aria, in quanto l'aria è necessaria per la normale combustione. Il flusso d'aria non deve essere inferiore a 2 m³/h per ogni kW di potenza installata.

⚠ Il sistema di circolazione può aspirare l'aria direttamente dall'esterno mediante una tubazione con sezione interna non inferiore a 100 cm²; l'apertura non deve essere soggetta ad alcun tipo di ostruzione.

⚠ Il sistema può fornire l'aria necessaria per la combustione anche in modo indiretto, ad esempio da locali adiacenti provvisti di tubazioni di circolazione dell'aria del tipo sopra descritto. Tali locali, tuttavia, non devono essere spazi comuni, camere da letto o stanze che possano presentare rischi d'incendio.

⚠ Il gas di petrolio liquido (GPL) si sposta verso terra perché è più pesante dell'aria. Per questa ragione, i locali che contengano bombole di GPL devono essere provvisti di sfiati che consentano al gas di fuoriuscire in caso di perdite. Le bombole di GPL, anche solo parzialmente piene, non devono essere installate o conservate in locali o aree di deposito situate sotto il piano terreno (cantine, ecc.). È consigliabile tenere nel locale solo la bombola in uso, posizionandola in modo che non sia esposta a fonti di calore esterne (forni, camini, stufe, ecc.) che possano innalzare la temperatura della bombola oltre 50°C.

Se la rotazione delle manopole dei bruciatori dovesse risultare difficoltosa, contattare il Servizio Assistenza, che in caso di rubinetto difettoso provvederà a sostituirlo.

Le aperture utilizzate per la ventilazione e la dispersione del calore non devono mai essere coperte.

⚠ Eseguire tutte le operazioni di taglio del mobile prima di inserire il forno, avendo cura di rimuovere trucioli o residui di segatura.

⚠ Se l'apparecchio non è installato sopra un forno, è necessario installare un pannello divisorio (non in dotazione) nel vano sottostante.

COLLEGAMENTO DEL GAS

⚠ **AVVERTENZA:** Prima dell'installazione, controllare che le condizioni di distribuzione del locale (tipo e pressione del gas) siano compatibili con la configurazione dell'apparecchio.

⚠ Controllare che la pressione del gas dell'impianto sia in linea con i valori riportati nella Tabella "Specifiche di bruciatori e ugelli".

⚠ **AVVERTENZA:** le condizioni di configurazione dell'apparecchio sono riportate sull'etichetta (o sulla targhetta matricola).

⚠ **AVVERTENZA:** questo apparecchio non è collegato a un dispositivo di evacuazione dei prodotti di combustione. l'installazione e l'allacciamento devono essere eseguiti in conformità alle norme vigenti. Prestare particolare attenzione ai requisiti in materia di ventilazione.

⚠ Se l'apparecchio è collegato a un impianto a gas liquido, la vite di regolazione deve essere serrata con la massima forza possibile.

⚠ **IMPORTANTE:** se si utilizza una bombola di gas o è installato un serbatoio di gas, questi devono essere posizionati correttamente (orientamento verticale).

⚠ **AVVERTENZA:** questa operazione deve essere eseguita da un tecnico qualificato.

⚠ Per l'allacciamento del gas, utilizzare solo un tubo di metallo flessibile o rigido.

⚠ Collegamento con tubo rigido (rame o acciaio) Il collegamento all'impianto del gas deve essere eseguito in modo da evitare qualsiasi forma di compressione o di trazione sull'apparecchio. Sulla rampa di alimentazione dell'apparecchio si trova un raccordo a L regolabile, provvisto di una guarnizione di tenuta contro le perdite. La guarnizione deve essere riapplicata dopo ogni rotazione del raccordo (la guarnizione è in dotazione con l'apparecchio). Il raccordo per il tubo di mandata del gas è un attacco maschio cilindrico 1/2 filettato.

⚠ Collegamento di un tubo in acciaio inox flessibile senza saldature a un attacco filettato Il raccordo per il tubo di mandata del gas è un attacco maschio cilindrico 1/2 filettato. Questi tubi devono essere installati in modo che la loro estensione completa non superi i 2000 mm di lunghezza. Una volta eseguito il collegamento, controllare che il tubo in metallo flessibile non entri a contatto con parti mobili e non sia compresso. Usare solo tubi e guarnizioni conformi alle norme nazionali vigenti.

⚠ **IMPORTANTE:** nel caso si utilizzi un tubo in acciaio inox, questo dovrà essere installato in modo da non entrare in contatto con parti mobili (es. cassette). Il tubo deve passare in un'area libera da ingombri e deve essere ispezionabile su tutta la lunghezza.

⚠ L'apparecchio deve essere collegato all'impianto del gas o alla bombola del gas in conformità alle norme nazionali vigenti. Prima di procedere al collegamento, verificare che l'apparecchio sia compatibile con l'impianto di alimentazione del gas che si intende utilizzare. In caso contrario, seguire le istruzioni del paragrafo "Adattamento dell'apparecchio al tipo di gas".

⚠ Dopo il collegamento all'alimentazione del gas, verificare con una soluzione di acqua saponata che non vi siano perdite.

Con i bruciatori accesi, ruotare le manopole dalla posizione massima 1* alla posizione minima 2* per verificare la stabilità della fiamma.

ADATTAMENTO DELL'APPARECCHIO AL TIPO DI GAS

(Questa operazione deve essere eseguita da un tecnico qualificato).

⚠ Per adattare l'apparecchio a un tipo di gas diverso da quello per il quale è stato prodotto (indicato sull'etichetta), seguire la procedura riportata dopo i disegni di installazione.

AVVERTENZE ELETTRICHE

⚠ **IMPORTANTE:** Le informazioni sui consumi di corrente e tensione sono riportate sulla targhetta matricola.

⚠ Il cavo di alimentazione deve essere sufficientemente lungo da consentire il collegamento dell'apparecchio, una volta posizionato nell'ubicazione definitiva, alla presa di corrente. Non tirare il cavo di alimentazione.

⚠ Deve essere possibile scollegare l'apparecchio dalla rete elettrica disinserendo la spina, se questa è accessibile, o tramite un interruttore multipolare installato a monte della presa nel rispetto dei regolamenti elettrici vigenti; inoltre, l'apparecchio deve essere messo a terra in conformità alle norme di sicurezza elettrica nazionali.

⚠ Non utilizzare cavi di prolunga, prese multiple o adattatori. Una volta terminata l'installazione, i componenti elettrici non devono più essere accessibili. Non utilizzare l'apparecchio quando si è bagnati oppure a piedi nudi. Non accendere l'apparecchio se il cavo di alimentazione o la spina sono danneggiati, se si osservano anomalie di funzionamento o se l'apparecchio è caduto o è stato danneggiato.

⚠ Se il cavo di alimentazione è danneggiato, deve essere sostituito con uno dello stesso tipo dal produttore, da un centro di assistenza autorizzato o da un tecnico qualificato per evitare situazioni di pericolo o rischi di scosse elettriche.


PULIZIA E MANUTENZIONE

⚠ **AVVERTENZA:** Per evitare rischi di folgorazione, prima di qualsiasi intervento di manutenzione accertarsi che l'apparecchio sia spento e scollegato dall'alimentazione elettrica; non usare in nessun caso pulitrici a getto di vapore.

⚠ Non utilizzare prodotti abrasivi o corrosivi, prodotti a base di cloro o pagliette.

⚠ Per evitare danni all'accensione elettrica, non utilizzarla quando i bruciatori non sono nella loro sede.


SMALTIMENTO DEL MATERIALE DI IMBALLAGGIO

Il materiale di imballaggio è riciclabile al 100% ed è contrassegnato dal simbolo del riciclaggio .

Le varie parti dell'imballaggio devono pertanto essere smaltite responsabilmente e in stretta osservanza delle norme stabilite dalle autorità locali.

SMALTIMENTO DEGLI ELETTRODOMESTICI

Questo prodotto è fabbricato con materiale riciclabile o riutilizzabile. Smaltire il prodotto rispettando le normative locali in materia. Per ulteriori informazioni sul trattamento, il recupero e il riciclaggio degli elettrodomestici, contattare l'ufficio locale competente, il servizio di raccolta dei rifiuti domestici o il negozio presso il quale il prodotto è stato acquistato. Questo apparecchio è contrassegnato in conformità alla direttiva europea 2012/19/UE, Rifiuti di apparecchiature elettriche ed elettroniche (RAEE) e alle norme sui rifiuti di apparecchiature elettriche ed elettroniche 2013 (e successive modifiche). Assicurandosi che questo prodotto sia smaltito in modo corretto, l'utente contribuisce a prevenire le conseguenze negative per l'ambiente e la salute.

Il simbolo  sul prodotto o sulla documentazione di accompagnamento indica che questo apparecchio non deve essere smaltito come rifiuto domestico, bensì conferito presso un centro di raccolta preposto al ritiro delle apparecchiature elettriche ed elettroniche.

CONSIGLI PER IL RISPARMIO ENERGETICO

Utilizzare pentole e tegami con diametro del fondo corrispondente al diametro della zona di cottura.

Utilizzare solo pentole e padelle con fondo piatto.

Se possibile, tenere il coperchio sulle pentole durante la cottura.

Utilizzare la pentola a pressione per ridurre il consumo di energia e il tempo di cottura.

DICHIARAZIONE DI CONFORMITÀ

Questo apparecchio soddisfa i requisiti di Ecodesign del regolamento europeo 66/2014 e l'Ecodesign per i prodotti connessi all'energia e le informazioni sull'energia (emendamento) (Uscita UE) Regolamenti 2019 in conformità con la norma europea EN 30-2-1.

Tipo di gas utilizzato	Tipo di bruciatore	Iniettore	Portata termica nominale kW	Consumo nominale	Potenza termica ridotta kW	Pressione del gas mbar		
						min.	nom.	max.
GAS NATURALE (Metano) G20	Rapido (R)	128 B	3,00	286 l/h	0,60	17	20	25
	Semirapido (SR)	97	1,65	157 l/h	0,35			
	Ausiliario (AUX)	78 A	1,00	95 l/h	0,30			
	2 Corone (DC)	149 H3	4,00	381 l/h	2,20			
GAS PETROLIO LIQUIDO (Butano) G30	Rapido (R)	87	3,00	218 g/h	0,60	20	28-30	35
	Semirapido (SR)	67	1,65	120 g/h	0,35			
	Ausiliario (AUX)	50	1,00	73 g/h	0,30			
	2 Corone (DC)	100	4,00	291 g/h	1,90			
GAS PETROLIO LIQUIDO (Propano) G31	Rapido (R)	87	3,00	214 g/h	0,60	25	37	45
	Semirapido (SR)	67	1,65	118 g/h	0,35			
	Ausiliario (AUX)	50	1,00	71 g/h	0,30			
	2 Corone (DC)	100	4,00	286 g/h	1,90			

Tipo di gas utilizzato	Configurazione modello 5 BRUCIATORI	Potenza termica nominale (kW)	Consumo totale nominale	Aria necessaria (m ³) per la combustione di 1 m ³ di gas
G20 20 mbar	1R - 2SR - 1AUX - 1DC	11,30	1076 l/h	9,52
G30 28-30 mbar	1R - 2SR - 1AUX - 1DC	11,30	822 g/h	30,94
G31 37 mbar	1R - 2SR - 1AUX - 1DC	11,30	807 g/h	23,80

ALIMENTAZIONE ELETTRICA: 220-240 V ~ 50-60 Hz - 0,6W

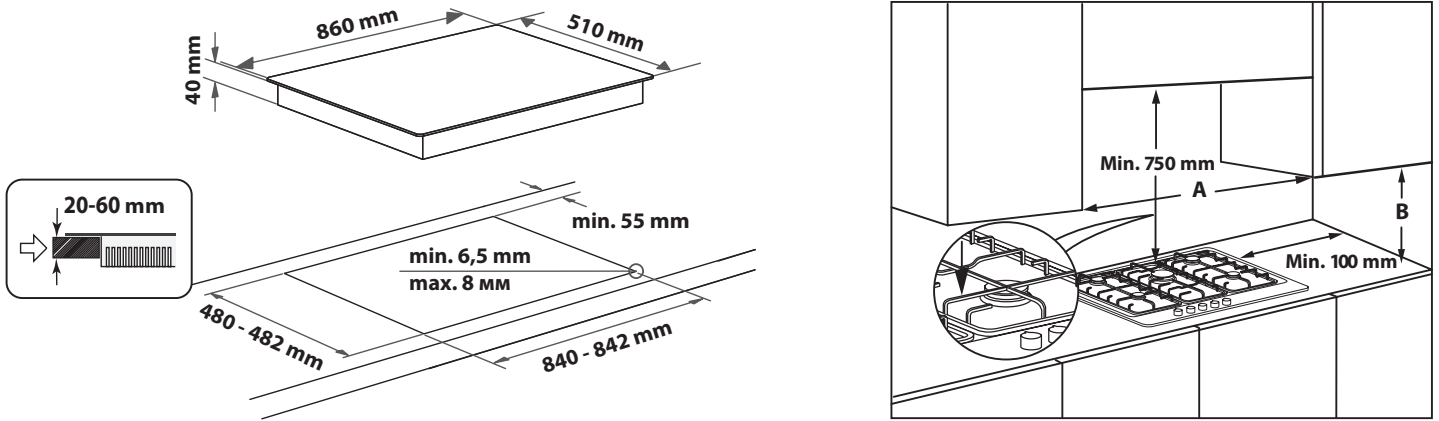


INSTALLAZIONE (CLASSE 3)

INFORMAZIONI TECNICHE PER L'INSTALLATORE

- Utilizzare guanti protettivi per maneggiare, preparare e installare il prodotto.
- Questo prodotto può essere incassato in un top (piano di lavoro) dello spessore di 20 ÷ 60 mm.
- Se sotto il piano di cottura non è previsto un forno, inserire un pannello separatore che abbia una superficie pari almeno all'apertura nel piano di lavoro. Tale pannello deve essere posizionato a una distanza massima di 150 mm dalla superficie superiore del piano di lavoro e in nessun caso inferiore a 20 mm dal fondo del piano di cottura. In caso si intenda installare un forno sotto il piano di cottura, assicurarsi che il forno sia dotato di un sistema di raffreddamento.

DIMENSIONI E DISTANZE DA RISPETTARE



NOTA: se la distanza "A" tra i pensili è compresa tra 600 mm e 730 mm, l'altezza "B" deve essere minimo 530 mm.
Se la distanza "A" tra i pensili è maggiore della larghezza del piano di cottura, l'altezza "B" deve essere minimo 400 mm.
Qualora venga installata una cappa sopra il piano di cottura, fare riferimento alle istruzioni di montaggio della cappa per la distanza da rispettare.

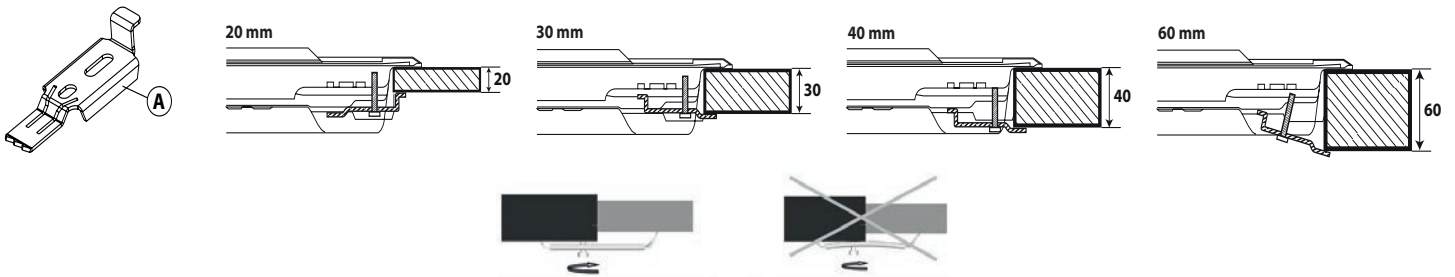
MONTAGGIO

Dopo aver pulito la superficie perimetrale, applicare al piano di cottura la guarnizione in dotazione come mostrato in figura.

Posizionare il piano all'interno dell'apertura praticata secondo le dimensioni indicate nelle istruzioni.

NOTA: il cavo di alimentazione deve essere sufficientemente lungo da permetterne l'estrazione dall'alto.

Per bloccare il piano di cottura, utilizzare le staffe (A) in dotazione. Posizionare le staffe in corrispondenza dei fori evidenziati dalla freccia e fissarle con le apposite viti in modo da adattarle allo spessore del top (vedere le figure seguenti).

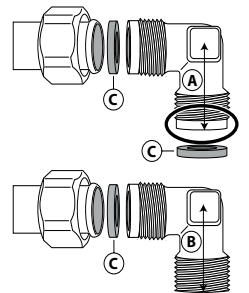


COLLEGAMENTO GAS

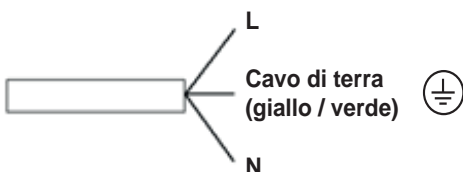
- Collegare il raccordo a gomito (A)* o (B)* fornito insieme al tubo di alimentazione principale del piano di cottura e interporre la guarnizione (C) in dotazione, a norma EN 549.

* Utilizzare il raccordo a gomito (A) per la Francia e il raccordo a gomito (B) per tutti gli altri paesi.

- Dopo il collegamento all'alimentazione del gas, verificare con una soluzione di acqua saponata che non vi siano perdite. Con i bruciatori accesi, ruotare le manopole dalla posizione massima (flame icon) alla posizione minima (no flame icon) per verificare la stabilità della fiamma.



CONNESSIONE ELETTRICA



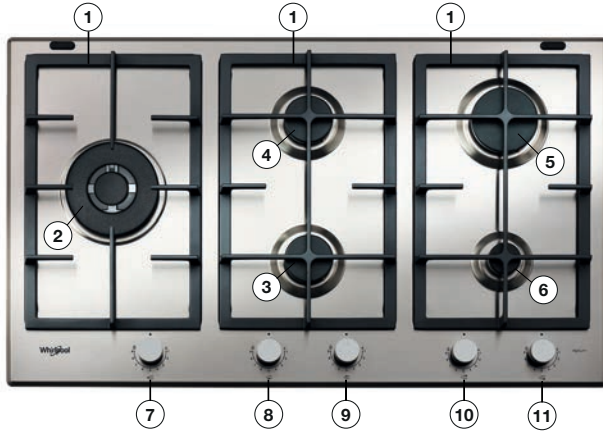
**GRAZIE PER AVERE ACQUISTATO UN PRODOTTO WHIRLPOOL**

Per ricevere un'assistenza più completa, registrare il prodotto su www.whirlpool.eu/register.



Prima di utilizzare l'apparecchio leggere attentamente le istruzioni di sicurezza.

SI PREGA DI SCANSIONARE IL CODICE QR SUL PROPRIO APPARECCHIO PER OTTENERE MAGGIORI INFORMAZIONI

**DESCRIZIONE DEL PRODOTTO**

1. Griglie amovibili
2. Bruciatore 2 corone
3. Bruciatore semirapido
4. Bruciatore semirapido
5. Bruciatore rapido
6. Bruciatore ausiliario
7. Manopola del bruciatore 2 corone
8. Manopola del bruciatore semirapido
9. Manopola del bruciatore semirapido
10. Manopola del bruciatore rapido
11. Manopola del bruciatore ausiliario

Symboli

- Pallino pieno ● Rubinetto chiuso
- Fiamma grande Massima apertura/erogazione e accensione elettrica
- Fiamma piccola Minima apertura o erogazione ridotta

**USO QUOTIDIANO****UTILIZZO DEL PIANO DI COTTURA**

⚠ Non lasciare che la fiamma del bruciatore si estenda oltre il bordo della pentola.

IMPORTANTE: quando è in funzione, tutta la superficie del piano di cottura potrebbe riscaldarsi.

- Per accendere uno dei bruciatori, ruotare la manopola corrispondente in senso antiorario fino a far coincidere l'indice con il simbolo di fiamma massima.
- Premere la manopola contro la mascherina dei comandi per accendere il bruciatore.
- Una volta acceso il bruciatore, è necessario continuare a tenere premuta la manopola per circa 5-10 secondi per consentire il corretto funzionamento del dispositivo.
- Si tratta di un dispositivo di sicurezza che interrompe la fuoriuscita di gas in caso di spegnimento accidentale della fiamma (dovuto a correnti d'aria, interruzione momentanea dell'alimentazione del gas, traboccamenti di liquidi, ecc.).
- **La manopola non deve essere tenuta premuta per più di 15 secondi. Se, trascorso tale tempo, il bruciatore non rimane acceso, attendere almeno un minuto prima di tentare un'ulteriore accensione.**

NOTA: qualora particolari condizioni del gas erogato localmente rendessero difficoltosa l'accensione del bruciatore, si consiglia di ripetere l'operazione con la manopola ruotata sulla posizione della fiamma piccola.

Può accadere che il bruciatore si spenga al momento del rilascio della manopola. Ciò indica che il dispositivo di sicurezza non si è scaldato a sufficienza. In questo caso, ripetere le operazioni sopra descritte.

Nel caso di una estinzione accidentale delle fiamme del bruciatore, chiudere la manopola di comando e non tentare di accenderlo per almeno 1 minuto.

CONSIGLI PRATICI PER L'USO DEI BRUCIATORI

Questo piano di cottura è dotato di bruciatori con diametri diversi. Al fine di ottenere il massimo rendimento, è utile attenersi alle seguenti regole:

- utilizzare pentole e tegami di diametro pari o leggermente superiore al diametro dei bruciatori (vedere la tabella a destra);
- utilizzare soltanto pentole e tegami con fondi piatti;
- utilizzare la giusta quantità d'acqua per la cottura dei cibi e usare il coperchio;
- evitare che le pentole, posizionate sulle griglie, fuoriescano dal perimetro del piano di cottura;
- nel caso di recipienti con fondo convesso (WOK), utilizzare la griglia di supporto che deve essere posizionata solo sul bruciatore multicorona;

- evitare urti accidentali con pentole, griglie o altri utensili da cucina;
- non lasciare bimestecchiere vuote sul fornello acceso per più di 5 minuti.

IMPORTANTE: l'uso improprio delle griglie potrebbe danneggiare il piano; evitare di appoggiare le griglie capovolte o di trascinarle sul piano.

BRUCIATORE	Ø RECIPIENTI
2 Corone	da 24 a 26 cm
Rapido	da 24 a 26 cm
Semirapido	da 16 a 22 cm
Ausiliario	da 8 a 14 cm

Non utilizzare:

- bimestecchiere in ghisa, supporti in pietra naturale, tegami o pentole in terracotta;
- dissipatori di rete metallica o di altro tipo;
- due bruciatori simultaneamente per la cottura con un solo recipiente (ad esempio una pesciera).

ADATTAMENTO AI DIVERSI TIPI DI GAS

⚠ Questa operazione deve essere eseguita da un tecnico qualificato.

In caso di utilizzo con un gas diverso da quello indicato sulla targhetta matricola e sull'etichetta informativa posta sulla parte superiore del piano di cottura, è necessario sostituire gli iniettori.

L'etichetta informativa va rimossa e conservata insieme al libretto istruzioni.

Utilizzare regolatori di pressione idonei alla pressione del gas indicata nelle istruzioni:

- per la sostituzione degli iniettori del gas, rivolgersi al servizio assistenza o a un tecnico qualificato;
- gli iniettori non forniti in dotazione devono essere richiesti al servizio assistenza;
- regolare il minimo dei rubinetti.

NOTA: se si utilizza gas di petrolio liquefatto (G30/G31), la vite di regolazione del minimo deve essere avvitata a fondo.

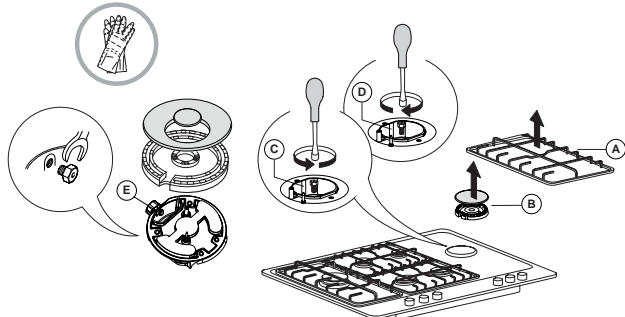
IMPORTANTE: se la rotazione delle manopole dei bruciatori dovesse risultare difficoltosa, contattare il Servizio di assistenza tecnica autorizzato che provvederà alla sostituzione del rubinetto, se difettoso.

IMPORTANTE: se si utilizza la bombola del gas, questa deve essere posizionata correttamente (orientamento verticale).

SOSTITUZIONE DEGLI INIETTORI (per il tipo vedere tabella ugelli nelle Norme di Sicurezza)

⚠ Questa operazione deve essere eseguita da un tecnico qualificato.

- Rimuovere le griglie (A).
- Estrarre i bruciatori (B).
- Con una chiave a tubo della dimensione appropriata, svitare l'iniettore da sostituire (C).
- Sostituirlo con l'iniettore previsto per il nuovo tipo di gas.
- Rimontare l'iniettore in (D).
- Se si dispone di un bruciatore a corona multipla, utilizzare una chiave laterale per sostituire l'iniettore (E).



Prima di installare il piano di cottura, ricordarsi di applicare la targhetta di taratura gas fornita con gli iniettori di ricambio, in modo che copra le informazioni già presenti.

TABELLA DI COTTURA

LIVELLO	METODO/TIPO DI COTTURA (CONSIGLIATO PER)	CONSIGLI PER LA COTTURA
1-2	MANTENIMENTO IN CALDO	Ideale per ammorbidire il burro, fondere delicatamente il cioccolato a bagnomaria, scongelare piccole porzioni, mantecare risotti.
	COTTURA DELICATA	
3-4	COTTURA IN UMIDO	Ideale per cuocere a fuoco lento (riso, sughi, arrosti, pesce) con l'uso di liquidi (acqua, vino, brodo) e mantecare la pasta mantenendo un leggero bollore.
	STUFATI	
5-6	ARROSTI	Ideale per rosolare e stufare le verdure, effettuare cotture prolungate, preriscaldare gli accessori, addensare.
	FRITTURA	
7-8	FRITTURA AL SALTO	Ideale per rosolare, iniziare la cottura, portare a ebollizione rapidamente, friggere prodotti surgelati, grigliare carne e pesce, mantenere un bollore vivace.
	GRIGLIARE	
9	RISCALDAMENTO RAPIDO	Ideale per innalzare in breve tempo la temperatura degli alimenti o riscaldare liquidi (acqua).

PULIZIA E CURA

⚠ Scollegare l'alimentazione prima di eseguire la manutenzione.

PULIZIA DEL PIANO COTTURA

- Le parti smaltate e in vetro vanno lavate con acqua calda e detergente neutro.
- L'acqua calcarea o detersivi aggressivi potrebbero lasciare macchie sulle superfici in acciaio inox, se rimangono a contatto troppo a lungo. Eliminare prontamente eventuali residui di cibo (acqua, sugo, caffè, ecc.) prima che si seccino.
- Pulire con acqua calda e detergente neutro, quindi asciugare con un panno morbido o una pelle di daino. In caso di sporco difficile, usare esclusivamente detersivi indicati per le superfici in acciaio inox.

NOTA: pulire le superfici in acciaio inox solo con un panno morbido o una spugna.

- Non utilizzare prodotti abrasivi o corrosivi, prodotti a base di cloro o pagliette.
- Non utilizzare pulitrici a getto di vapore.
- Non utilizzare prodotti infiammabili.
- Evitare di lasciare sul piano sostanze acide o alcaline come aceto, mostarda, sale, zucchero o succo di limone.

REGOLAZIONE DEL MINIMO DEI BRUCIATORI

⚠ Questa operazione deve essere eseguita da un tecnico qualificato.

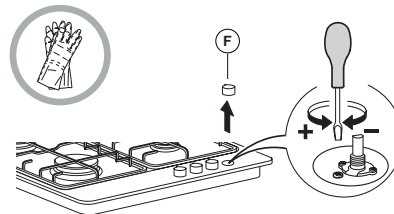
La regolazione deve essere eseguita con il rubinetto nella posizione di minimo (fiamma piccola).

Non occorre regolare l'aria primaria dei bruciatori.

Per garantire una corretta regolazione del minimo, rimuovere la manopola e procedere nel modo seguente:

- avvitare la vite per ridurre l'altezza della fiamma (-);
- allentare la vite per aumentare l'altezza della fiamma (+);

Con i bruciatori accesi, ruotare le manopole dalla posizione massima 🔥 alla posizione minima 🔹 per verificare la stabilità della fiamma.



Terminata la regolazione, ripristinare i sigilli con ceralacca o materiale equivalente.

RISOLUZIONE DEI PROBLEMI

Se il piano cottura non funziona correttamente, prima di chiamare l'assistenza esaminare questa guida rapida per individuare il problema.

1. Il bruciatore non si accende o la fiamma non è uniforme

Controllare che:

- non ci siano interruzioni nella rete di alimentazione del gas ed elettrica e, in particolare, che il rubinetto del gas sia aperto;
- la bombola del gas liquido non si sia esaurita;
- le aperture del bruciatore non siano ostruite;
- la parte terminale della candelina non sia sporca;
- tutte le parti che compongono il bruciatore siano posizionate correttamente;
- non ci siano correnti d'aria in prossimità del piano.

2. La fiamma non rimane accesa

Controllare che:

- la manopola sia stata premuta a fondo durante l'accensione del bruciatore per il tempo sufficiente ad attivare il dispositivo di sicurezza;
- le aperture del bruciatore non siano ostruite in corrispondenza della termocoppia;
- la parte terminale del dispositivo di sicurezza non sia sporca;
- la regolazione del minimo sia corretta (vedere il paragrafo corrispondente).

3. I recipienti sono instabili

Controllare che:

- il fondo del recipiente sia perfettamente piano;
- il recipiente sia centrato sul bruciatore;
- le griglie non siano state invertite o posizionate in modo errato.

Se dopo le suddette verifiche il problema persiste, contattare il Servizio Assistenza più vicino.

SERVIZIO ASSISTENZA

Per ricevere un'assistenza più completa, registrare il prodotto su www.whirlpool.eu/register.

PRIMA DI CHIAMARE IL SERVIZIO ASSISTENZA:

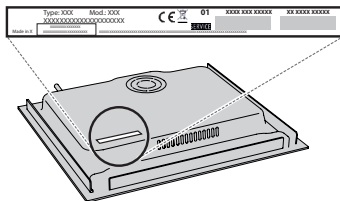
1. Verificare se non sia possibile eliminare da soli i guasti. Vedere "RISOLUZIONE DEI PROBLEMI".
2. Spegnerne e riaccendere l'apparecchio per assicurarsi che l'inconveniente sia stato eliminato.

SE DOPO I SUDDETTI CONTROLLI IL PROBLEMA PERSISTE, CONTATTARE IL SERVIZIO ASSISTENZA PIÙ VICINO.

Per ricevere assistenza, chiamare il numero indicato sul libretto di garanzia o seguire le istruzioni sul sito web www.whirlpool.eu.

Quando si contatta il nostro servizio assistenza, indicare sempre:

- una breve descrizione del guasto;
- il tipo e il modello esatti del prodotto;



- il numero di serie (è il numero che si trova dopo la parola SN sulla targhetta matricola posta sotto l'apparecchio). Il numero di serie è indicato anche nella documentazione;



Mod. **xxx xxx**
 Ind.C. **xxxx xxxx xxxx**
 SN: **xxxx xxxx xxxx**
 Prod.N. **xxxx xxxx xxxx**

- il proprio indirizzo completo;
- il proprio numero di telefono.

Qualora si renda necessaria una riparazione, rivolgersi ad un centro del Servizio Assistenza (a garanzia dell'utilizzo di pezzi di ricambio originali e di una corretta riparazione).

Per le linee guida, la documentazione standard e altre informazioni sui prodotti:

- Utilizzando il codice QR nel proprio apparecchio;
- Visitando il nostro sito web docs.whirlpool.eu/docs;
- Oppure, **contattare il Servizio Assistenza Tecnica** (al numero di telefono riportato sul libretto di garanzia). Prima di contattare il Servizio Assistenza Clienti, prepararsi a fornire i codici riportati sulla targhetta matricola del prodotto.



INSTRUCCIONES DE SEGURIDAD

ES IMPORTANTE QUE LEA Y SIGA LAS SIGUIENTES RECOMENDACIONES

⚠ Estas instrucciones son válidas si el símbolo del país aparece en el aparato. Si el símbolo no aparece en el aparato, deberá consultar las instrucciones técnicas que le proporcionarán la información necesaria para modificar el aparato y adaptarlo a las condiciones de uso del país.

⚠ **PRECAUCIÓN:** El uso de los aparatos de gas para cocinar produce calor, humedad y productos de la combustión en la habitación en la que está instalado. Asegúrese de que la cocina está bien ventilada, sobre todo cuando se está utilizando el aparato: mantenga los orificios de ventilación natural o instale un dispositivo de ventilación mecánica (campana extractora). El uso intensivo prolongado del aparato puede requerir ventilación adicional, como la apertura de una ventana, o una ventilación más eficaz, aumentando, por ejemplo, el nivel de la ventilación mecánica (si es posible).

⚠ Si no sigue la información de este manual con exactitud, podría provocarse un incendio o una explosión que podría causar daños o lesiones personales.

Antes de usar el aparato, lea atentamente estas instrucciones de seguridad. Téngalas a mano para consultarlas más adelante.

Tanto estas instrucciones como el aparato contienen importantes advertencias de seguridad, que deben respetarse en todo momento. El fabricante declina cualquier responsabilidad derivada del incumplimiento de estas instrucciones de seguridad, del uso indebido del aparato o del ajuste incorrecto de los mandos.

⚠ **ADVERTENCIA:** Si la superficie de la placa está agrietada, no utilice el aparato, hay riesgo de descarga eléctrica.

⚠ **ADVERTENCIA:** Peligro de incendio: No deje ningún objeto sobre las superficies de cocción.

⚠ **PRECAUCIÓN:** El proceso de cocción tiene que ser supervisado. Un proceso de cocción corto tiene que ser supervisado continuamente.

⚠ **ADVERTENCIA:** Cocinar con grasa o aceite en una placa sin vigilancia puede resultar peligroso, hay riesgo de incendio. No intente NUNCA apagar un incendio con agua. Apague el aparato y cubra la llama con, por ejemplo, una tapa o una manta ignífuga.

⚠ No utilice la placa como superficie de trabajo o apoyo. Mantenga los paños y otros materiales inflamables alejados del aparato hasta que todos los componentes se hayan enfriado por completo; hay riesgo de incendio.

⚠ Mantenga a los niños menores de 3 años alejados del aparato. Los niños pequeños (3-8 años) deben mantenerse alejados del aparato, a menos que estén bajo vigilancia constante. Tanto los niños a partir de 8 años como las personas cuyas capacidades físicas, sensoriales o mentales estén disminuidas o que carezcan de la experiencia y conocimientos necesarios pueden utilizar este aparato si reciben la supervisión o las instrucciones necesarias para utilizarlo de forma segura y comprenden los riesgos a los que se exponen. Los niños no deberán jugar con el aparato.

Los niños no deben encargarse de la limpieza y el mantenimiento, a menos que estén supervisados.

⚠ **PRECAUCIÓN:** Si se rompe el cristal de la placa: apague inmediatamente todos los quemadores y resistencias eléctricas y desconecte el suministro eléctrico del aparato; no toque la superficie del aparato; no utilice el aparato.

La tapa de vidrio puede romperse si se calienta. Apague todos los quemadores y las placas eléctricas antes de cerrar la tapa. No cierre la tapa con el quemador encendido.

⚠ **ADVERTENCIA:** El aparato y las partes accesibles se calientan durante el uso. Es necesario prestar atención para no tocar los elementos calefactores. Mantenga alejados a los niños menores de 8 años salvo que sean supervisados continuamente.

⚠ Los alimentos no deben permanecer dentro o sobre el producto más de una hora, ya sea antes o después de la cocción.

USO PERMITIDO

⚠ **PRECAUCIÓN:** el aparato no está destinado a ponerse en funcionamiento por medio de un dispositivo de encendido externo, como un temporizador, o de un sistema de control remoto independiente.

⚠ Este aparato está destinado a un uso en ambientes domésticos o en ambientes similares como: áreas de cocina en oficinas, tiendas y otros; granjas; por los clientes de hoteles, moteles, hostales y otros entornos residenciales.

⚠ No se admite ningún otro uso (p. ej., calentar habitaciones).

⚠ Este aparato no es para uso profesional. No utilice el aparato al aire libre.

⚠ Utilice recipientes cuya base tenga un diámetro igual o ligeramente superior al de los quemadores (consulte la tabla específica). No utilice ollas que sobresalgan por el borde de la placa.

⚠ El uso inadecuado de las parrillas puede dañar la placa: no coloque las parrillas boca abajo ni las arrastre sobre la placa.

No deje que la llama del quemador supere el borde de la sartén.

Si la superficie de la placa es de vidrio, no utilice planchas de hierro colado ni cacerolas u ollas de piedra o barro.

No utilice: Difusores de calor como rejillas metálicas o de otro tipo. Dos quemadores simultáneamente para un recipiente (por ejemplo, un recipiente para pescado).

Si, debido a las condiciones del gas suministrado localmente, es difícil encender el quemador, se aconseja repetir la operación con el mando en la posición del símbolo de la llama pequeña.

Si va a instalar un extractor sobre la superficie de cocción, consulte las instrucciones del extractor para saber cuál es la distancia correcta.

Los asientos protectores de goma situados debajo de las rejillas representan un riesgo y los niños pueden atragantarse en caso de que los traguen. Una vez retiradas las parrillas, asegúrese de que todos los pies estén correctamente montados.

INSTALACIÓN

⚠ La manipulación e instalación del aparato la deben realizar dos o más personas, ya que hay riesgo de lesiones. Utilice guantes de protección para el desembalaje y la instalación, ya que hay riesgo de cortes.

⚠ Las conexiones eléctricas y de gas deben cumplir la normativa local.

⚠ La instalación, incluido el suministro de agua (si lo hay) y las conexiones eléctricas y las reparaciones, deben ser

realizadas por un técnico cualificado. No realice reparaciones ni sustituya piezas del aparato a menos que así se indique específicamente en el manual del usuario. Mantenga a los niños alejados del lugar de instalación. Tras desembalar el aparato, compruebe que no ha sufrido daños durante el transporte. Si observa algún problema, póngase en contacto con el distribuidor o el Servicio Postventa más cercano. Una vez instalado el aparato, mantenga los restos de embalaje (plásticos, piezas de poliestireno extruido, etc.) fuera del alcance de los niños, ya que existe riesgo de asfixia. El aparato debe estar desenchufado de la corriente antes de empezar la instalación, ya que existe riesgo de descarga eléctrica. Cuando realice la instalación, asegúrese de que el aparato no dañe el cable de alimentación, ya que existe riesgo de incendio o de descarga eléctrica. No active el aparato hasta haberlo instalado por completo.

⚠ **ADVERTENCIA:** La modificación del aparato y su método de instalación son esenciales para poder utilizarlo de forma segura y correcta en otros países.

⚠ Utilice reguladores de presión adecuados para las presiones de gas que se indican en las instrucciones de instalación.

⚠ La habitación debe estar equipada con un sistema de extracción de aire que expulse los humos de combustión.

⚠ La habitación también debe permitir una adecuada circulación del aire, ya que para la combustión normal se necesita aire. El caudal de aire no debe ser inferior a 2 m³/h por kW de potencia instalada.

⚠ El sistema de circulación de aire puede tomar el aire directamente del exterior mediante un tubo que tenga una sección transversal interior de al menos 100 cm²; la abertura no debe ser vulnerable a ningún tipo de obstrucción.

⚠ El sistema también puede proporcionar el aire necesario para la combustión indirectamente, por ejemplo, de las habitaciones contiguas equipadas con los tubos de circulación de aire anteriormente descritos. Sin embargo, estas habitaciones no podrán ser salas comunales, dormitorios ni habitaciones ya que pueden presentar un peligro de incendio.

⚠ El gas licuado va hacia el suelo porque es más pesado que el aire. Por lo tanto, las habitaciones donde se encuentren las bombonas de GLP también deberán estar equipadas con rejillas de ventilación para permitir que el gas se escape en caso de fuga. Como resultado, las bombonas de GLP, ya estén parcial o completamente llenas, no deberán instalarse ni almacenarse en lugares que estén por debajo del nivel del suelo (sótanos, etc.). Es aconsejable mantener en la habitación solamente la bombona que se está utilizando, colocada de modo que no esté sometida al calor producido por fuentes externas (hornos, chimeneas, estufas, etc.) que podrían elevar la temperatura de la bombona por encima de los 50°C.

Si tiene dificultades para girar los mandos de los quemadores, póngase en contacto con el Servicio de Asistencia Técnica para que sustituyan las tapas del quemador. Las aberturas utilizadas para la ventilación y la dispersión del calor deben cubrirse.

⚠ Realice todas las tareas de corte del armario antes de

instalar el aparato en el alojamiento y retire por completo todas las virutas de madera y el serrín.

⚠ Si el aparato no está instalado encima de un horno, debe instalarse un panel separador (no incluido) en el compartimento debajo del aparato.

CONEXIÓN DEL GAS

⚠ **ADVERTENCIA:** Antes de la instalación, asegúrese de que las condiciones locales de distribución (tipo y presión del gas) y la configuración del aparato sean compatibles.

⚠ Compruebe que la presión del suministro de gas sea conforme a los valores indicados en la Tabla "Especificaciones de los quemadores".

⚠ **ADVERTENCIA:** Las condiciones de configuración de este aparato se indican en la etiqueta (o placa de datos).

⚠ **ADVERTENCIA:** Este aparato no está conectado a un dispositivo de evacuación de humos. Debe estar instalado y conectado de acuerdo con la legislación vigente. Deben tenerse en cuenta los requisitos de ventilación.

⚠ Si los aparatos están conectados al gas licuado, el tornillo de regulación debe apretarse lo más fuerte posible.

⚠ **IMPORTANTE:** Si se instala una bombona de gas o un recipiente de gas, se deberá colocar correctamente (orientación vertical).

⚠ **ADVERTENCIA:** Esta operación debe realizarla un técnico cualificado.

⚠ Para las conexiones de gas, use solo tuberías flexibles o rígidas de metal.

⚠ **Conexión con un tubo rígido (cobre o acero)** La conexión a la instalación de gas debe realizarse de manera que no suponga ningún esfuerzo en el aparato. Hay un empalme en forma de L en la rampa de alimentación del aparato y está provisto de una junta estanca para evitar fugas. La junta estanca deberá sustituirse siempre después de girar el empalme del tubo (la junta se incluye con el aparato). El tubo de suministro de gas se conecta mediante un acoplamiento cilíndrico roscado de 1/2.

⚠ **Conexión de un tubo de acero inoxidable flexible sin junta a un acoplamiento roscado** El tubo de suministro de gas se conecta mediante un acoplamiento cilíndrico roscado de 1/2. Estos tubos deben instalarse de manera que nunca tengan más de 2000 mm cuando estén completamente extendidos. Cuando la conexión esté realizada, asegúrese de que el tubo metálico flexible no toque ninguna pieza móvil y no esté comprimido. Utilice únicamente tubos y sellos conformes con las normas nacionales en vigor.

⚠ **IMPORTANTE:** Si se utiliza un tubo flexible de acero inoxidable, debe instalarse de modo que no toque las partes móviles del mueble (p. ej. el cajón). Debe pasar por una zona sin obstrucciones y en la que sea posible inspeccionarlo en toda su longitud.

⚠ El aparato debe ser conectado al suministro principal de gas o a la bombona de gas de conformidad con las normativas nacionales vigentes. Antes de realizar la conexión, asegúrese de que el aparato sea compatible con el suministro de gas que desea utilizar. De lo contrario, siga

las instrucciones indicadas en el apartado "Adaptación a los distintos tipos de gas".

⚠ Tras realizar la conexión con el suministro de gas, compruebe si hay fugas mediante la aplicación de agua jabonosa. Encienda los quemadores y gire los mandos desde la posición máxima 1* hasta la posición mínima 2* para comprobar la estabilidad de la llama.

ADAPTACIÓN A OTROS TIPOS DE GAS

(Esta operación debe llevarla a cabo un técnico cualificado).

⚠ Para adaptar el aparato a un tipo de gas distinto del tipo de gas para el que se ha fabricado (que se indica en la etiqueta identificativa), siga los pasos específicos que se encuentran después de los dibujos de la instalación.

ADVERTENCIAS DE ELECTRICIDAD

⚠ **IMPORTANTE:** La información relativa a la tensión y la absorción de potencia se encuentra en la placa de características.

⚠ El cable de alimentación debe ser suficientemente largo para permitir la conexión del aparato, una vez empotrado en el mueble, a la red eléctrica. No tire del cable de alimentación.

⚠ Debe ser posible desconectar el aparato de la alimentación eléctrica desenchufándolo si el enchufe es accesible o mediante un interruptor omnipolar instalado antes del enchufe, de conformidad con las normativas de cableado y el aparato debe conectarse a una toma de tierra de acuerdo con las normativas de seguridad vigentes en materia de electricidad.

⚠ No utilice alargadores, regletas ni adaptadores. Una vez terminada la instalación, los componentes eléctricos no deberán quedar accesibles para el usuario. No utilice el aparato si está mojado o va descalzo. No use este aparato si tiene un cable o un enchufe de red dañado, si no funciona bien, o si se ha dañado o se ha caído.

⚠ Si el cable de alimentación está dañado, el fabricante, su agente de servicio técnico o una persona igualmente cualificada deberán sustituirlo para evitar peligros, ya que hay riesgo de descarga eléctrica.


LIMPIEZA Y MANTENIMIENTO

⚠ **ADVERTENCIA:** Asegúrese de que el aparato esté apagado y desconectado del suministro eléctrico antes de realizar cualquier operación de mantenimiento; no utilice aparatos de limpieza con vapor, hay riesgo de descarga eléctrica.

⚠ No utilice productos abrasivos o corrosivos, limpiadores con cloro ni estropajos metálicos.

⚠ Para evitar daños al dispositivo de encendido eléctrico, no lo utilice si los quemadores están fuera de su alojamiento.

ELIMINACIÓN DEL MATERIAL DE EMBALAJE

El material de embalaje es 100% reciclable y está marcado con el símbolo de reciclaje . Por lo tanto, deberá desechar las diferentes piezas del embalaje de forma responsable, respetando siempre las normas locales sobre eliminación de residuos.

ELIMINACIÓN DE LOS ELECTRODOMÉSTICOS

Este aparato ha sido fabricado con material reciclable o reutilizable. Debe desecharse de acuerdo con la normativa local al respecto. Para obtener información más detallada sobre el tratamiento, recuperación y reciclaje de electrodomésticos, póngase en contacto con las autoridades locales, con el servicio de recogida de residuos domésticos, o con la tienda en la que adquirió el aparato. Este electrodoméstico lleva el marcado CE de conformidad con la Directiva Europea 2012/19/UE sobre Residuos de Aparatos Eléctricos y Electrónicos (RAEE) y con la normativa de Residuos de Aparatos Eléctricos y Electrónicos de 2013 (modificada).

La correcta eliminación de este producto evita consecuencias negativas para el medio ambiente y la salud.

El símbolo  que se incluye en el aparato o en la documentación que lo acompaña indica que no puede tratarse como un residuo doméstico, sino que debe entregarse en un punto de recogida adecuado para el reciclado de aparatos eléctricos y electrónicos.

CONSEJOS PARA AHORRAR ENERGÍA

Utilice recipientes cuyo fondo tenga un diámetro igual al de la zona de cocción.

Utilice exclusivamente recipientes con fondo plano.

Cuando sea posible, tape los recipientes durante la cocción.

Utilice una olla de presión para ahorrar aún más energía y tiempo.

DECLARACIÓN DE CONFORMIDAD

Este aparato cumple con los requisitos de diseño ecológico del Reglamento europeo n.º 66/2014 y con el Reglamento de diseño ecológico aplicable a los productos relacionados con la energía y el Reglamento sobre la información energética (enmienda) (salida de la UE) de 2019, en cumplimiento con la norma europea EN 30-2-1.

Tipo de gas empleado	Tipo de quemador	Referencia del inyector	Caudal térmico nominal kW	Consumo nominal	Capacidad térmica reducida kW	Presión del gas mbar		
						min.	nom.	máx.
GAS NATURAL (Metano) G20	Rápido (R)	128 B	3,00	286 l/h	0,60	17	20	25
	Semirrápido (SR)	97	1,65	157 l/h	0,35			
	Auxiliar (AUX)	78 A	1,00	95 l/h	0,30			
	2 Anillos (DC)	149 H3	4,00	381 l/h	2,20			
GAS LICUADO DE PETRÓLEO (Butano) G30	Rápido (R)	87	3,00	218 g/h	0,60	20	28-30	35
	Semirrápido (SR)	67	1,65	120 g/h	0,35			
	Auxiliar (AUX)	50	1,00	73 g/h	0,30			
	2 Anillos (DC)	100	4,00	291 g/h	1,90			
GAS LICUADO DE PETRÓLEO (Propano) G31	Rápido (R)	87	3,00	214 g/h	0,60	25	37	45
	Semirrápido (SR)	67	1,65	118 g/h	0,35			
	Auxiliar (AUX)	50	1,00	71 g/h	0,30			
	2 Anillos (DC)	100	4,00	286 g/h	1,90			

Tipo de gas empleado	Configuración del modelo 5 QUEMADORES	Caudal térmico nominal (kW)	Consumo total nominal	Aire necesario (m ³) para la combustión de 1m ³ de gas
G20 20 mbar	1R - 2SR - 1AUX - 1DC	11,30	1076 l/h	9,52
G30 28-30 mbar	1R - 2SR - 1AUX - 1DC	11,30	822 g/h	30,94
G31 37 mbar	1R - 2SR - 1AUX - 1DC	11,30	807 g/h	23,80

SUMINISTRO ELÉCTRICO: 220-240 V ~ 50-60 Hz - 0,6 W

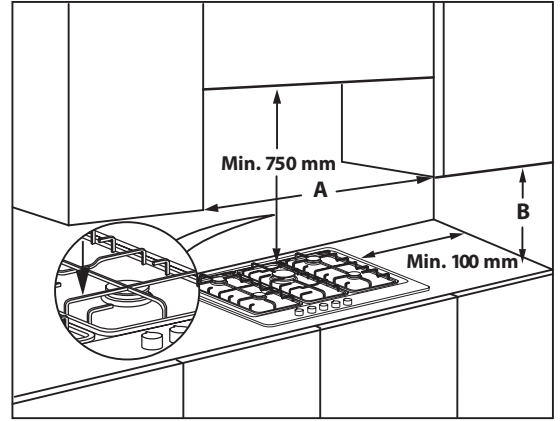
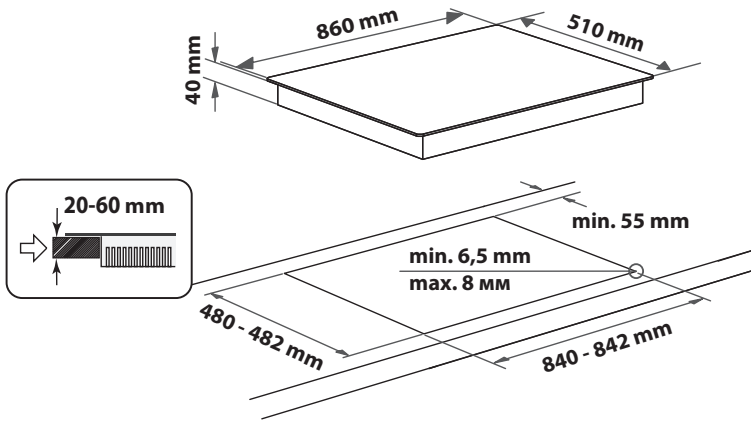


INSTALACIÓN (CLASE 3)

INFORMACIÓN TÉCNICA PARA EL INSTALADOR

- Utilice guantes de protección para manipular, preparar e instalar el electrodoméstico.
- Este producto se puede empotrar en una encimera de entre 20 y 60 mm de grosor.
- Si no hay horno instalado debajo de la placa, inserte un panel de separación con una superficie que, como mínimo, sea igual al tamaño de la abertura en la encimera. Este panel debe estar situado a una distancia máxima de 150 mm por debajo de la parte superior de la superficie de trabajo y en ningún caso, a menos de 20 mm de la parte inferior de la placa. Si desea instalar un horno debajo de la placa, asegúrese de que esté equipado con un sistema de refrigeración.

DIMENSIONES Y DISTANCIAS QUE DEBEN RESPETARSE



NOTA: si la distancia "A" entre los armarios de la pared es de 600 mm a 730 mm, la altura "B" debe ser de 530 mm como mínimo.
 Si la distancia "A" entre los armarios de la pared es mayor que la anchura de la zona de trabajo, la altura "B" debe ser de 400 mm como mínimo.
 Si se instala un extractor sobre la superficie de cocina, consulte las instrucciones del extractor para saber cuál es la distancia correcta.

MONTAJE

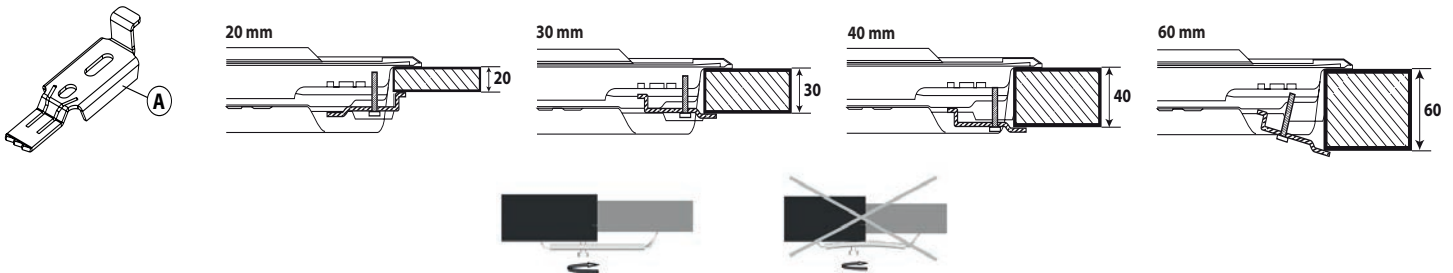
Una vez se haya limpiado el perímetro, coloque la junta en la placa como se muestra en la figura.

Coloque la placa en la abertura realizada en la encimera respetando las dimensiones indicadas en las instrucciones.



NOTA: el cable de alimentación debe tener la longitud suficiente para que se pueda extraer hacia arriba.

Para fijar la placa, utilice las abrazaderas (A) suministradas. Coloque las abrazaderas en las ranuras correspondientes indicadas por las flechas y fíjelas mediante tornillos apropiados para el grosor de la encimera (consulte las siguientes figuras).

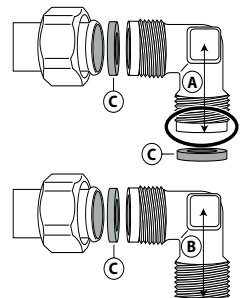


CONEXIÓN DEL GAS

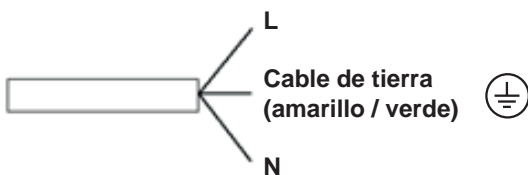
- Conecte el tubo acodado (A)* o (B)* a la tubería principal de entrada a la placa e interponga la arandela (C), de acuerdo con la norma EN 549.

* Use el tubo acodado (A) para Francia y el (B) para los demás países.

- Tras realizar la conexión con el suministro de gas, compruebe si hay fugas mediante la aplicación de agua jabonosa. Encienda los quemadores y gire los mandos desde la posición máxima (flame) hasta la posición mínima (no flame) para comprobar la estabilidad de la llama.



CONEXIÓN ELÉCTRICA





GRACIAS POR ADQUIRIR UN PRODUCTO WHIRLPOOL

Para recibir una asistencia más completa, registre su producto en www.whirlpool.eu/register.

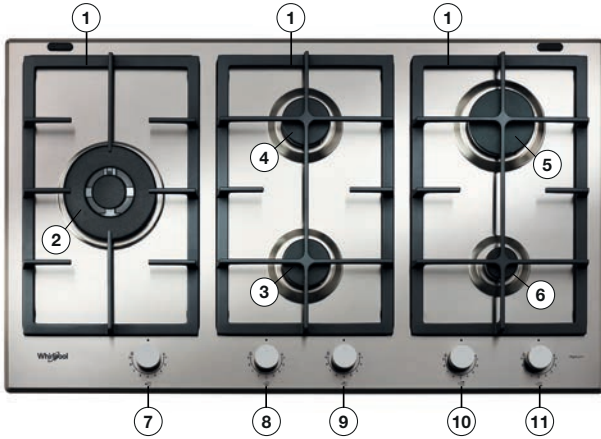


Antes de usar el aparato, lea atentamente las Instrucciones de seguridad.

ESCANEE EL CÓDIGO QR DE SU APARATO PARA OBTENER MÁS INFORMACIÓN



DESCRIPCIÓN DEL PRODUCTO



1. Rejillas amovibles
2. Quemador de 2 anillos
3. Quemador semirrápido
4. Quemador semirrápido
5. Quemador rápido
6. Quemador auxiliar
7. Mando del quemador de 2 anillos
8. Mando del quemador semirrápido
9. Mando del quemador semirrápido
10. Mando del quemador rápido
11. Mando del quemador auxiliar

Símbolos

- Círculo sombreado ● Mando cerrado
- Llama grande Apertura/potencia máxima y encendido eléctrico
- Llama pequeña Apertura mínima o potencia reducida



USO DIARIO

USO DE LA PLACA

! No deje que la llama del quemador supere el borde de la sartén.

IMPORTANTE: cuando esté usando la placa, toda el área de la placa se puede poner caliente.

- Para encender uno de los quemadores, gire el mando correspondiente en dirección contraria a la de las agujas del reloj hasta la posición de llama al máximo.
- Presione el mando contra el panel de control para encender el quemador.
- Una vez encendido el quemador, mantenga el mando presionado durante unos 5-10 segundos para activar el dispositivo de seguridad.
- La finalidad del dispositivo de seguridad es cortar el suministro de gas al quemador si la llama se apaga accidentalmente (debido a corrientes de aire, interrupciones del suministro de gas, rebosamiento de líquidos, etc.). El mando no debe presionarse durante más de 15 segundos. Si transcurrido este tiempo el quemador no permanece encendido, espere al menos un minuto antes de intentar encenderlo de nuevo.

NOTA: Si, debido a las condiciones del gas suministrado localmente, es difícil encender el quemador, se aconseja repetir la operación con el mando en la posición del símbolo de la llama pequeña.

El quemador puede apagarse al soltar el mando. Esto significa que el dispositivo de seguridad no se ha calentado lo suficiente. En tal caso, repita los pasos anteriores.

Si se apagara accidentalmente la llama del quemador, cierre el mando y vuelva a intentar encenderlo después de 1 minuto, como mínimo.

CONSEJOS PRÁCTICOS PARA UTILIZAR LOS QUEMADORES

La placa dispone de quemadores de distintos diámetros. Para conseguir un rendimiento óptimo de los quemadores se recomienda respetar las normas siguientes:

- utilice recipientes cuya base tenga un diámetro igual o ligeramente superior al de los quemadores (consulte la tabla de la derecha);
- utilice exclusivamente ollas y sartenes con fondo plano;
- utilice la cantidad de agua correcta para cocinar alimentos con el recipiente tapado;
- no utilice ollas que sobresalgan más allá del borde de la placa;
- En el caso de sartenes con la base convexa, tipo wok, utilice la rejilla de apoyo (no suministrada); colóquela únicamente en el quemador de anillos múltiples.
- Evitar golpes accidentales con ollas, rejillas u otros utensilios de cocina
- No dejar parrillas para bistecs vacías somber la himalla encendida durante más de 5 minutos.

IMPORTANTE: El uso inadecuado de las parrillas puede dañar la placa: no coloque las parrillas boca abajo ni las arrastre sobre la placa.

QUEMADOR	Ø DE RECIPIENTE
2 anillos	De 24 a 26 cm
Rápido	De 24 a 26 cm
Semirrápido	De 16 a 22 cm
Auxiliar	De 8 a 14 cm

No utilice:

- planchas de hierro colado ni cacerolas u ollas de piedra o barro;
- difusores de calor como rejillas metálicas o de otro tipo;
- dos quemadores simultáneamente para un recipiente (por ejemplo, un recipiente para pescado).

AJUSTES PARA OTROS TIPOS DE GAS

! Esta operación debe realizarla un técnico cualificado.

Si el aparato va a utilizarse con un tipo de gas distinto al especificado en la placa de datos y en el adhesivo informativo pegado sobre la placa, cambie los inyectores.

Quite el adhesivo informativo y guárdelo con el manual de instrucciones.

Utilice reguladores de presión adecuados para las presiones de gas que se indican en las instrucciones de instalación:

- el cambio del inyector de gas debe realizarlo el Servicio de Asistencia o un técnico cualificado y homologado;
- si no se incluye el inyector con el electrodoméstico, solicítelos al Servicio de Asistencia;
- ajuste el suministro al mínimo.

NOTA: Si se utiliza gas de petróleo líquido (G30/G31), el tornillo para ajustar el suministro al mínimo debe apretarse al máximo.

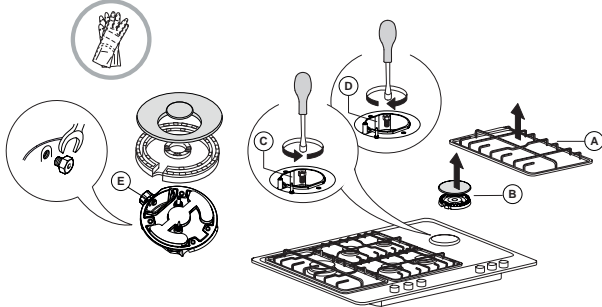
IMPORTANTE: Si tiene dificultades para girar los mandos de los quemadores, póngase en contacto con el Servicio de Asistencia Técnica para que sustituyan las tapas del quemador.

IMPORTANTE: cuando se utiliza una bombona de gas, la bombona o el recipiente de gas debe estar correctamente colocado (orientación vertical).

SUSTITUCIÓN DE LOS INYECTORES (consulte la tabla de inyectores en las Instrucciones de seguridad)

⚠ Esta operación debe realizarla un técnico cualificado.

- Retire las parrillas (A).
- Extraiga los quemadores (B).
- Con una llave de cubo del tamaño adecuado, desenrosque el inyector (C) que va a sustituir.
- Sustitúyalo por el inyector correspondiente al nuevo tipo de gas.
- Si la placa tiene un quemador de triple corona, utilice el lado del cubo para cambiar el inyector (E).



Antes de instalar la placa, recuerde fijar la placa de calibración del gas suministrada con los inyectores, de modo que incluya la información existente relativa a la calibración del gas.

LIMPIEZA Y MANTENIMIENTO

⚠ Desconecte el aparato de la red eléctrica.

LIMPIEZA DE LA SUPERFICIE DE LA PLACA

- Todas las partes esmaltadas y vitrificadas deben limpiarse con agua tibia y una solución de jabón neutro.
- Las superficies de acero inoxidable pueden mancharse debido a la cal del agua o al uso de detergentes abrasivos que se dejan en contacto durante mucho tiempo. Limpie los restos de alimentos (agua, salsas, café, etc.) antes de que se sequen.
- Limpie la placa con agua tibia y detergente neutro y séquela a fondo con un paño suave o una gamuza. Limpie los restos de alimentos quemados con productos específicos para superficies de acero inoxidable.

NOTA: Para las superficies de acero inoxidable utilice solo un paño suave o una esponja.

- No utilice productos abrasivos o corrosivos, limpiadores con cloro ni estropajos metálicos.
- No utilice aparatos de limpieza con vapor.
- No emplee productos inflamables.
- No deje sustancias ácidas o alcalinas, como vinagre, mostaza, sal, azúcar o zumo de limón sobre la placa.

RESOLUCIÓN DE PROBLEMAS

Si la placa no funciona bien, antes de llamar al Servicio de Asistencia Técnica, consulte la guía de solución de problemas para determinar el problema.

1. El quemador no se enciende o la llama no es uniforme

Compruebe que:

- se ha cortado el suministro de gas o eléctrico y en concreto, si el mando del gas está abierto;
- la bombona de gas está vacía;
- las aberturas de los quemadores están obstruidas;
- el extremo del dispositivo de encendido está sucio;
- las piezas de los quemadores están colocadas correctamente;
- hay corrientes de aire alrededor de la placa.

2. El quemador no permanece encendido

Compruebe que:

- al encender el quemador, el mando se ha mantenido presionado durante el tiempo suficiente para activar el sistema de protección;
- las aberturas del quemador no están obstruidas junto al termopar;
- el extremo del termopar no está sucio;
- si el ajuste de gas mínimo es correcto (consulte el apartado correspondiente).

AJUSTE DEL SUMINISTRO DE GAS AL MÍNIMO

⚠ Esta operación debe realizarla un técnico cualificado.

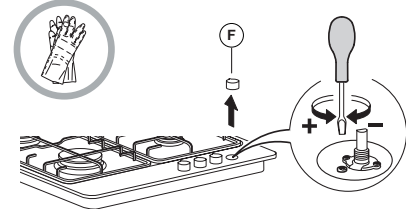
El ajuste debe realizarse con la posición de suministro de gas en el mínimo (llama pequeña).

No es necesario ajustar el aire principal de los quemadores.

Para asegurarse de que el suministro mínimo está ajustado correctamente, quite el mando (F) y realice lo siguiente:

- apriete el tornillo para reducir la altura de la llama (-);
- afloje el tornillo para aumentar la altura de la llama (+).

En este punto, encienda los quemadores y gire los mandos de la posición máxima a la posición mínima para comprobar la estabilidad de la llama.



Después de realizar el ajuste, vuelva a sellar la junta con cera o un material similar.

LIMPIEZA DE LAS PIEZAS DE LA PLACA

- Limpie las partes vitrificadas y esmaltadas con un paño suave o una esponja.
- Para limpiarlas, es necesario quitar las parrillas, las tapas y los quemadores.
- Limpie estos accesorios a mano con agua tibia y detergente no abrasivo, quite con cuidado los residuos de alimentos y compruebe que las aberturas de los quemadores no están obstruidas.
- Enjuague y seque con cuidado.
- **Las rejillas de hierro fundido pueden limpiarse en el lavavajillas. Retire los alimentos quemados antes de colocar las rejillas en la bandeja más baja del lavavajillas.**
- Vuelva a colocar los quemadores y las tapas en su sitio.
- Al colocar las parrillas, asegúrese de que el área de las parrillas donde se apoyan las ollas está alineada con el quemador.
- Los modelos equipados con dispositivo de encendido eléctrico y dispositivos de seguridad requieren una limpieza exhaustiva del extremo de la bujía para asegurarse un funcionamiento correcto. Compruebe estos elementos con frecuencia y si fuera necesario, límpielos con un paño húmedo. Los restos de alimentos quemados deben eliminarse con un palillo o una aguja.

NOTA: Para evitar daños al dispositivo de encendido eléctrico, no lo utilice si los quemadores están fuera de su alojamiento.

3. Los recipientes no son estables

Compruebe que:

- la parte inferior del recipiente es completamente plana;
- el recipiente está centrado en el quemador;
- se han colocado de forma incorrecta las parrillas.

Si el fallo persiste después de estas comprobaciones, póngase en contacto con el Servicio de Asistencia más cercano.

SERVICIO POSTVENTA

Para recibir una asistencia más completa, registre su producto en www.whirlpool.eu/register.

ANTES DE LLAMAR AL SERVICIO POSTVENTA:

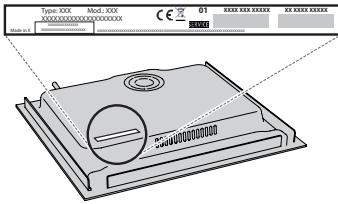
1. Intente resolver el problema consultando las recomendaciones que se ofrecen en la **GUÍA PARA LA SOLUCIÓN DE PROBLEMAS**.
2. Apague el aparato y vuelva a encenderlo para comprobar si se ha solucionado el problema.

SI EL FALLO PERSISTE DESPUÉS DE ESTAS COMPROBACIONES, PÓNGASE EN CONTACTO CON EL SERVICIO POSTVENTA.

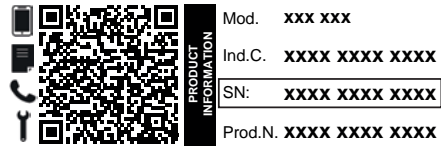
Para recibir asistencia, llame al número que aparece en el folleto de la garantía o siga las instrucciones de la página web www.whirlpool.eu.

Cuando se ponga en contacto con nuestro Servicio Postventa, especifique siempre:

- una breve descripción del problema;
- el tipo y el modelo exacto del aparato;



- el número de serie (el número que se indica tras la palabra SN en la placa de características situada debajo del aparato). El número de serie también se indica en la documentación;



- su dirección completa;
- su número de teléfono.

Si fuera necesaria alguna reparación, póngase en contacto con un Servicio Postventa autorizado (que garantiza el uso de piezas de recambio originales y una reparación correcta).

Puede consultar los reglamentos, la documentación estándar e información adicional sobre productos mediante alguna de las siguientes formas:

- Utilizando el código QR en tu aplicación;
- Visitando nuestro sitio web docs.whirlpool.eu/docs;
- También puede **ponerse en contacto con nuestro Servicio postventa** (Consulte el número de teléfono en el folleto de la garantía). Cuando se ponga en contacto con nuestro Servicio Postventa, deberá indicar los códigos que figuran en la placa de características de su producto.



من المهم قراءتها والالتزام بها

⚠ تنبيه: الجهاز غير مخصص للاستخدام عن طريق جهاز تشغيل خارجي، مثل الميقاتي أو نظام تشغيل عن بعد مستقل.

⚠ هذا الجهاز مخصص للاستخدام في الأغراض المنزلية وما شابهها مثل: منطقة المطبخ في المحلات والمكاتب وبيئات العمل الأخرى، البيوت الريفية، ومن قبل نزلاء الفنادق والموتيلات والفنادق الصغيرة والبيئات الأخرى ذات الطابع السكني.

⚠ ولا يُسمح باستخدامه في أي أغراض أخرى (مثلا تدفئة الغرف).
⚠ هذا الجهاز غير مخصص للاستخدام التجاري. لا تستخدم الجهاز في الهواء الطلق.

⚠ استخدم الأواني والقدر التي لها نفس عرض الشعلات أو التي تزيد قليلا عنه (انظر الجدول المعني). تأكد أن الأوعية المستندة على دعائم لا تبرز خارج حافة الموقد.

⚠ الاستخدام غير الصحيح للشبكات يمكن أن يؤدي إلى إلحاق ضرر بالموقد: لا تضع الشبكات بشكل مقلوب أو تحركها على الموقد.
لا تترك لهب الشعلة يتجاوز حافة الوعاء.

لا تستخدم: الشواريب المصنوعة من الحديد المسبوك والأواني الخزفية والأوعية والأواني المصنوعة من التراكوتا. ناشرات السخونة، مثل الشبكات المعنوية، أو أية أنواع أخرى. شعلتين في نفس الوقت لوعاء واحد (على سبيل المثال غلاية الأسماك).

إذا كانت هناك ظروف محلية خاصة تعيق اشتعال الغاز المسحوب بسهولة، فيُنصح بإعادة التشغيل باستخدام المفتاح مع إدارته إلى إعداد اللهب الصغير.

في حالة تركيب شفاط فوق سطح الطهي، فيرجى الرجوع إلى تعليمات الموقد لمعرفة المسافة الصحيحة.

تمثل القدم المطاطية الواقية المثبتة على الشبكات خطر اختناق الأطفال الصغار. بعد خلع الشبكات، يرجى التأكد من تركيب القدم بالكامل بشكل صحيح.

التركيب

⚠ يجب نقل الجهاز وتركيبه بواسطة شخصين على الأقل - خطر الإصابة. استخدم قفازات واقية لإخراج الجهاز من العبوة ولتركيبه - خطر الإصابة بجروح قطعية.

⚠ يجب أن تكون وصلات الكهرباء والغاز متوائمة مع التشريعات المحلية.

⚠ يجب إجراء عمليات التركيب بما فيها الإمداد بالماء (إذا كان موجودا) والتوصيلات الكهربائية والإصلاح بواسطة فني مؤهل. لا تقم بإصلاح أو استبدال أي جزء من أجزاء الجهاز ما لم ينص على ذلك بصفة خاصة في دليل الاستخدام. أبعد الأطفال عن موقع التركيب. بعد إخراج الجهاز من عبوته، تحقق من عدم تضرره أثناء النقل. في حالة وجود مشاكل، اتصل بالوكيل أو أقرب مركز لخدمة ما بعد البيع. بعد الانتهاء من أعمال التركيب، يجب تخزين مخلفات التغليف (البلاستيك وقطع الستايروفوم إلخ) بعيدا عن متناول الأطفال - خطر الاختناق.

يجب فصل الجهاز عن مصدر الكهرباء قبل التركيب - خطر التعرض لصدمة كهربائية. أثناء التركيب، تحقق من عدم تلف كابل الكهرباء الخاص بالجهاز - خطر الحريق أو صاعقة كهربائية. لا تقم بتشغيل الجهاز إلا بعد اكتمال إجراءات التركيب.

⚠ تحذير: تعديل الجهاز وطريقة تركيبه من الأمور الهامة لاستخدام الجهاز بصورة آمنة وصحيحة في جميع البلدان الأخرى.

⚠ استخدم منظمات ضغط مناسبة لضغط الغاز الموضح في التعليمات

⚠ يجب أن تكون الغرفة مجهزة بنظام شطف الهواء الذي يساهم في تصريف أدخنة الاحتراق.

⚠ ويجب أن تتيح الغرفة حرية تدوير الهواء على النحو السليم، إذ يلزم وجود الهواء لحدوث الاحتراق بشكل صحيح. يجب ألا يقل تدفق الهواء عن 2 متر³/ساعة لكل كيلو واط من القدرة المقررة.

⚠ يمكن لنظام تدوير الهواء أن يسحب الهواء من الخارج مباشرة عن طريق أنبوب بمقطع عرضي خارجي لا يقل عن 100 سم²، يجب ألا تكون الفتحة عرضة لأي نوع من الانسدادات.

⚠ ويمكن للنظام أيضا توفير الهواء اللازم للاحتراق بشكل غير مباشر، أي من خلال الغرف المجاورة المجهزة بأنابيب تدوير الهواء كما هو موضح أعلاه. إلا أنه يجب ألا تكون هذه الغرف هي المخصصة للمعيشة أو النوم أو التي يوجد بها خطر نشوب حريق.

⚠ تسري هذه التعليمات في حالة ظهور رمز البلد على الجهاز. إذا لم يظهر الرمز على الجهاز، يتعين عليك الرجوع إلى التعليمات الفنية التي توفر الإرشادات الضرورية المتعلقة بإجراء التعديلات على الجهاز ليتواءم مع ظروف الاستخدام في البلد.

⚠ تنبيه: ينتج عن استخدام جهاز الطهي الغازي توليد حرارة ورطوبة ونواتج احتراق في الغرفة المثبت بها. تأكد من توفر تهوية جيدة بالمطبخ، وخاصة عند استخدام الجهاز: اترك فتحات التهوية الطبيعية مفتوحة أو قم بتركيب جهاز تهوية ميكانيكي (شفاط أبخرة ميكانيكي). الاستخدام المكثف لفترات طويلة للجهاز قد يتطلب تهوية إضافية، مثل فتح النافذة، أو مزيد من التهوية الأكثر فعالية، على سبيل المثال زيادة مستوى التهوية الميكانيكية (إذا أمكن ذلك).

⚠ عدم اتباع المعلومات الموضحة بهذا الدليل بدقة قد ينتج عنه نشوب حريق أو انفجار، مما يتسبب في تلف الممتلكات أو إصابة الأفراد.

اقرأ تعليمات السلامة هذه قبل استخدام الجهاز. واحتفظ بها في مكان قريب للرجوع إليها مستقبلاً.

تقدم هذه التعليمات والجهاز نفسه تحذيرات هامة خاصة بالسلامة يجب مراعاتها في جميع الأوقات. لا تتحمل الجهة الصانعة أي مسؤولية ناجمة عن عدم مراعاة تعليمات السلامة هذه، أو استخدام الجهاز بطريقة غير سليمة، أو ضبط عناصر التحكم بطريقة غير صحيحة.

⚠ تحذير: في حالة تشقق سطح الموقد، لا تستخدم الجهاز - خطر الصعق الكهربائي.

⚠ تحذير: خطر نشوب حريق: لا تقوم بتخزين أشياء على أسطح الطهي.

⚠ تنبيه: يجب مراقبة عملية الطهي. يجب أيضا مراقبة عمليات الطهي القصيرة بصفة مستمرة.

⚠ تحذير: طهي أطعمة تحتوي على دهون أو زيوت على الموقد دون مراقبة يمكن أن يكون خطيرا - خطر نشوب حريق. لا تحاول أبدا إطفاء اللهب في هذه الحالة باستخدام الماء، بل أطفئ الجهاز ثم قم بتغطية اللهب بغطاء أو ببطانية إطفاء حريق.

⚠ لا تستخدم الموقد كسطح عمل أو كسطح ارتكاز. احتفظ بالملايس والمواد الأخرى القابلة للاشتعال بعيدا عن الجهاز إلى أن تبرد جميع الأجزاء تماما - خطر نشوب حريق.

⚠ يجب إبقاء الأطفال الصغار (0-3 سنوات) بعيدا عن الجهاز. يجب إبقاء الأطفال (3-8 سنوات) بعيدا عن الجهاز إلا في حالة الإشراف المستمر عليهم. يمكن استخدام هذا الجهاز من قبل الأطفال بدءا من عمر 8 سنوات فأكثر والأشخاص الذين يعانون من نقص في القدرات البدنية أو الحسية أو العقلية أو الأشخاص الذين يفتقرون إلى الخبرة والمعرفة، شريطة أن يتم مراقبتهم أو توجيههم إلى كيفية استخدام الجهاز بطريقة آمنة واستيعابهم للأخطار التي ينطوي عليها ذلك. يجب ألا يعيثر الأطفال بهذا الجهاز. يحظر على الأطفال تنظيف الجهاز وصيانته دون إشراف.

⚠ تنبيه: في حالة تحطم قرص زجاجي ساخن: قم بإطفاء كافة الشعلات على الفور وكذلك أي عنصر تسخين كهربائي، بالإضافة إلى فصل الجهاز عن مصدر الإمداد بالطاقة، لا تقم بلمس سطح الجهاز، لا تستخدم الجهاز.

قد يتلف الغطاء الزجاجي في حالة تسخينه. قبل غلق الغطاء قم بإطفاء كافة الشعلات والألواح الكهربائية. لا تغلق الغطاء بينما الشعلات مشغلة.

⚠ تحذير: يسخن الجهاز وأجزاؤه التي يمكن الوصول إليها أثناء الاستخدام. يجب توخي الانتباه لتجنب ملامسة عناصر التسخين. يجب إبعاد الأطفال دون سن 8 سنوات إلا إذا كانت هناك ملاحظة وإشراف دائم عليهم.

⚠ يجب ألا يتم ترك الطعام داخل المنتج أو عليه لمدة تزيد على ساعة واحدة قبل أو بعد الطهي.

⚠ الاستخدام المسموح به

ضغط الغاز مللي بار			قدرة سخونة منخفضة كيلوواط	الاستهلاك المقدر	المعدل الاسمي للتدفق الحراري كيلوواط	علامة الحاقن	نوع الشعلة	نوع الغاز المستخدم
الحد الأدنى.	اسمي.	الحد الأقصى.						
25	20	17	0,60	286 لتر/ساعة	3,00	128 B	سريرة (R) متوسطة السرعة (SR) إضافية (AUX) تأقلا حلا ي ناند (DC)	الغاز الطبيعي (الميثان) G20
			0,35	157 لتر/ساعة	1,65	97		
			0,30	95 لتر/ساعة	1,00	78 A		
			2,20	381 لتر/ساعة	4,00	149 H3		
35	28-30	20	0,60	218 جم/ساعة	3,00	87	سريرة (R) متوسطة السرعة (SR) إضافية (AUX) تأقلا حلا ي ناند (DC)	غاز البترول المسال (البيوتان) G30
			0,35	120 جم/ساعة	1,65	67		
			0,30	73 جم/ساعة	1,00	50		
			1,90	291 جم/ساعة	4,00	100		
45	37	25	0,60	214 جم/ساعة	3,00	87	سريرة (R) متوسطة السرعة (SR) إضافية (AUX) تأقلا حلا ي ناند (DC)	غاز البترول المسال (البيوتان) G31
			0,35	118 جم/ساعة	1,65	67		
			0,30	71 جم/ساعة	1,00	50		
			1,90	286 جم/ساعة	4,00	100		

نوع الغاز المستخدم	تهينة الموديل 5 شعالت	المعدل الاسمي معدل التدفق (كيلوواط)	المعدل الإجمالي المقدر	الهواء المطلوب (م) لحرق 3م من الغاز
G20 20 مبار	1R - 2SR - 1AUX - 1DC	11,30	1076 لتر/ساعة	9,52
G30 28/30 مبار	1R - 2SR - 1AUX - 1DC	11,30	822 جم/ساعة	30,94
G31 37 مبار	1R - 2SR - 1AUX - 1DC	11,30	807 جم/ساعة	23,80

مداد الكهرباء: 220-240 فلت ~ 50-60 هرتز - 6,0 واط



الملائمة لأنواع المختلفة للغاز

(ينبغي إجراء هذه العملية بواسطة فني مؤهل).

⚠️ لغرض تهيئة الجهاز مع نوع غاز آخر يختلف عن النوع المقرر من قبل الجهة الصانعة (موضح على لوحة الصنع)، قم بمراعاة الخطوات الواردة بعد الرسومات الموضحة للتركيب.

التحذيرات الكهربائية

⚠️ هام: معلومات بشأن استهلاك التيار والجهد الكهربائي مذكورة بلوحة التصنيف.

⚠️ يجب أن يكون كابل الكهرباء طويلاً بما يكفي لتوصيل الجهاز بمصدر الكهرباء عند تركيبه في موضعه. لا تسحب كابل الإمداد بالكهرباء.

⚠️ يجب إتاحة فصل الجهاز من مصدر الكهرباء بنزع القابس إن أمكن الوصول إليه، أو باستخدام مفتاح متعدد الأقطاب ومركب عند المقبس بالتوافق مع قواعد التوصيل، ويجب أن يكون الجهاز مؤرضاً، بالتوافق مع مواصفات الأمان الكهربائية المحلية.

⚠️ لا تستخدم أسلاك التمديد، أو المقابس متعددة التوصيلات أو المهايئات. يجب ألا تكون الأجزاء الكهربائية في متناول المستخدم بعد التركيب. لا تستخدم الجهاز وأنت ملبل أو حاف القدمين. لا تقم بتشغيل هذا الجهاز إذا كان هناك تلف في كابل أو قابس الكهرباء، أو إذا لم يكن يعمل بشكل سليم، أو إذا كان تالفاً، أو إذا سقط على الأرض.

⚠️ إذا لحق أي تلف بسلك التوصيل يجب استبداله عن طريق جهة الصنع أو وكيل الصيانة التابع لها أو أي شخص مؤهل بنفس الدرجة وذلك لتجنب المخاطر - خطر التعرض لصدمة كهربائية.

التنظيف والصيانة

⚠️ تحذير: تأكد من إيقاف الجهاز ومن فصله عن مصدر الكهرباء قبل إجراء أية أعمال صيانة، لا تستخدم أبداً أجهزة التنظيف البخار - خطر الصعق الكهربائي.

⚠️ لا تستخدم منتجات أكالة أو كاشطة أو منظفات كلورية أو مسحوق تنظيف الأواني.

⚠️ لتجنب تعرض جهاز الإشعال الكهربائي للتلف، لا تستخدمه إذا كانت الشعلات ليست في مكانها.

التخلص من مواد التغليف

مواد التغليف قابلة لإعادة التدوير بنسبة 100% ومميزة برمز إعادة التدوير ♻️. لذا، يجب التخلص من أجزاء التغليف المختلفة بطريقة مسؤولة وبالتوافق التام مع تشريعات السلطات المحلية بخصوص التخلص من النفايات.

تكهين الأجهزة المنزلية

تم تصنيع هذا الجهاز باستخدام مواد قابلة لإعادة التدوير أو إعادة الاستخدام. تخلص منه وفقاً للوائح المحلية الخاصة بالتخلص من المخلفات. لمزيد من المعلومات حول المعالجة والاسترداد وإعادة التدوير للأجهزة الكهربائية المنزلية، اتصل بالجهة المحلية المختصة أو خدمة جمع النفايات المنزلية أو المتجر الذي اشترت منه الجهاز. هذا الجهاز مميز حسب المواصفة الأوروبية 2012/EU/19، والأجهزة الكهربائية والإلكترونية القديمة (WEEE) ومع تشريعات الأجهزة الكهربائية والإلكترونية القديمة 2013 (وتعدلاتها).

من خلال التأكد من التخلص من هذا المنتج بالطريقة الصحيحة سوف تساعد في منع النتائج السلبية على البيئة وصحة الإنسان.

يشير الرمز ♻️ الموجود على المنتج أو على المستندات المرافقة للمنتج إلى أنه لا ينبغي التعامل مع هذا المنتج على أنه من المخلفات المنزلية، ولكن يجب تسليمه إلى مركز تجميع ملائم لإعادة تدوير الأجهزة الكهربائية والإلكترونية.

نصائح توفير الطاقة

استخدم الأواني والقدر التي لها قاعدة بعرض مساو لنطاق الطهي.

اقتصر على استخدام الأواني والقدر ذات القواعد المستوية.

اترك أغطية الأوعية باستمرار فوقها أثناء الطهي إذا أمكن.

استخدم طنجرة (حلة) الضغط لتوفير مزيد من الطاقة والوقت.

بيان المطابقة

هذا الجهاز يطابق متطلبات التصميم الاقتصادي للتشريع الأوروبي 66/2014 وتشريعات التصميم الاقتصادي للمنتجات المرتبطة بالطاقة والمعلومات (المعدلة) (UE Exit) 2019، بالتوافق مع المواصفة الأوروبية EN 30-2-1.

⚠️ يُراعى أن الغاز البترولي المسال يهبط إلى الأرض لأنه أكثر كثافة من الهواء. ولذلك يجب أن تشتمل الغرف المزودة بأسطوانات غاز مسال على فتحات للسماح بتصريف الغاز عند وقوع تسريب. وبناءً عليه فإنه يحظر تثبيت أسطوانات الغاز المسال، سواء كانت مملوءة جزئياً أو كلياً، أو حفظها في الغرف أو مناطق التخزين الموجودة أسفل مستوى الأرض (كالمسارديب مثلاً). ننصح بإبقاء أسطوانة الغاز المراد استخدامها فقط في الغرفة ووضعها بحيث لا تكون معرضة للسخونة الناتجة عن مصادر الحرارة الخارجية (الأفران والدفائيات والمواقف) التي قد ترفع درجة حرارة الأسطوانة إلى أعلى من 50°م.

إذا واجهتك صعوبة في تدوير مقابض الشعلات، فيرجى الاتصال بخدمة ما بعد البيع لتغيير محبس الشعلات إن كان به خلل. لا يجب أبداً تغطية الفتحات المستخدمة للتهوية وتصريف الحرارة.

⚠️ قم بتنفيذ جميع أعمال قطع الخزانة قبل تركيب الجهاز في المبيت وتخلص بعناية من جميع الرقاقت الخشبية ونشارة الخشب.

⚠️ إذا لم يتم تركيب الجهاز فوق فرن، فيجب تركيب لوح فاصل (غير مورد) في الجزء الموجود أسفل الجهاز.

وصلة الغاز

⚠️ تحذير: قبل التركيب، تأكد من أن شروط التوزيع المحلية (نوع الغاز وضغط الغاز) ومن أن تهيئة الجهاز متوافقة.

⚠️ تحقق من أن ضغط إمداد الغاز يتوافق مع القيم المشار إليها في الجدول "مواصفات الشعلة".

⚠️ تحذير: شروط التهيئة الخاصة بهذا الجهاز مذكورة على الملصق (أو لوحة البيانات).

⚠️ تحذير: هذا الجهاز غير متصل بتجهيزة لإزالة نواتج الاحتراق. ويجب تركيبه وتوصيله وفقاً للوائح التركيب المتبعة. يجب الانتباه جيداً للمتطلبات الخاصة بالتهوية.

⚠️ في حالة توصيل الجهاز بالغاز المسال، فيجب تثبيت برغي الضبط وإحكامه قدر الإمكان.

⚠️ مهم: عند تركيب أسطوانة الغاز أو حاوية الغاز، يجب تثبيتها بشكل صحيح (الاتجاه الرأسي).

⚠️ تحذير: يجب أن تتم هذه العملية بمعرفة فني معتمد.

⚠️ اقتصر على استخدام خرطوم معدني مرن أو صلد لوصلة الغاز.

⚠️ التوصيل بنظام الغاز على النحو الذي يحمي الجهاز من التعرض لأي ضغط أو إجهاد. يوجد تجهيزة أنبوبية شكل L قابلة للضبط بمجرى إمداد الجهاز وهي مزودة بإطار إحكام لمنع التسريبات. ويجب تغيير إطار الإحكام دائماً بعد تدوير التجهيزة الأنبوبية (يتم توريد إطار الإحكام مع الجهاز).

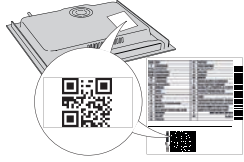
⚠️ التجهيزة الأنبوبية لإمداد الغاز عبارة عن ملحق إدخال أسطواني ملولب 2/1 بوصة.

⚠️ توصيل أنبوب مرن خال من الوصلات ومصنوع من الاستانلس ستيل بالملح المولب. التجهيزة الأنبوبية لإمداد الغاز عبارة عن ملحق إدخال أسطواني ملولب 2/1 بوصة. يجب تركيب هذه الأنابيب بحيث لا يتعدى طولها 2000 مم وهي ممدودة بالكامل. بمجرد أن يتم التوصيل تأكد أن الأنبوب المعدني المرن لا يلامس الأجزاء المتحركة وغير معرض للضغط. اقتصر على استخدام الأنابيب وإطارات الإحكام التي تتوافق مع التشريعات المحلية المعمول بها.

⚠️ هام: في حالة استخدام خرطوم استانلس ستيل، فيجب تركيبه بحيث لا يلامس أي جزء متحرك من قطع الأثاث (مثل الأدرج). ويجب أن يمر عبر منطقة خالية من العوائق تتيح فحصه بكامل طوله.

⚠️ يلزم توصيل الجهاز بمصدر الغاز الرئيسي أو بأسطوانة غاز بالتوافق مع التشريعات المحلية المعمول بها. قبل القيام بالتوصيل يجب التأكد من توافق الجهاز مع مصدر الغاز المراد استخدامه. وإن لم يكن الوضع كذلك، اتبع التعليمات الواردة في فقرة "المواءمة مع نوع غاز آخر".

⚠️ بعد التوصيل بمصدر الغاز، تحقق من عدم وجود تسريبات باستخدام ماء صابوني. قم بإشعال الشعلات وأدر المفاتيح من الوضع الأقصى 1* إلى الوضع الأدنى 2* للتحقق من ثبات اللهب.



يُرجى مسح رمز الاستجابة السريعة على جهازك من أجل الحصول على مزيد من المعلومات

نشكرك على شرائك أحد منتجات شركة WHIRLPOOL للحصول على المزيد من المساعدة التفصيلية، يرجى تسجيل جهازك على www.whirlpool.eu/register.

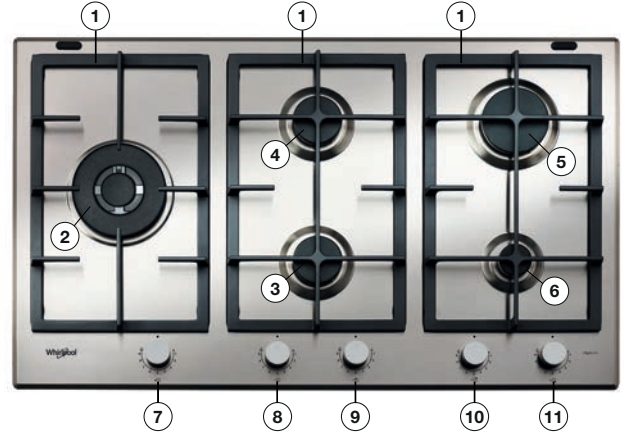


واقراً تعليمات السلامة بعناية قبل استخدام الجهاز.



وصف المنتج

- الرموز**
- دائرة مظلة نطق علوي معلق
 - 🔥 اللهب الكبير أقصى فتح/إمداد والإشعال الكهربائي
 - 🔥 اللهب الصغير أدنى فتحة أو تقليل الإمداد
1. شبكات استناد الأوعية القابلة لل فك
 2. الشعلة ذات الحلقين
 3. الشعلة متوسطة السرعة
 4. الشعلة متوسطة السرعة
 5. الشعلة السريعة
 6. الشعلة الإضافية
 7. مفتاح التحكم في الشعلة ذات الحلقين
 8. مفتاح التحكم في الشعلة متوسطة السرعة
 9. مفتاح التحكم في الشعلة متوسطة السرعة
 10. مفتاح التحكم في الشعلة السريعة
 11. مفتاح التحكم في الشعلة الإضافية



الاستخدام اليومي

طريقة استخدام الموقد

قطر أواني الطهي	الشعلة
26-24 سم	تأقلاحي يثاندث (DC)
26-24 سم	السريعة (R)
22-16 سم	نصف سريع (SR)
8-14 سم	إضافي (AUX)

لا تستخدم:

- الأواني المصنوعة من الحديد الزهر أو الأواني والقذور المصنوعة من الفخار.
- ناشرات الحرارة مثل الشبكة المعدنية أو أي أنواع أخرى.
- شعلتان في آن واحد لإناء واحد (مثل غلاية السمك).

ضبط الموقد حسب الأنواع المختلفة للغاز

⚠ يجب ألا تتم هذه العملية إلا بواسطة فني مؤهل.

إذا كان الجهاز سيتم استخدامه مع نوع من الغاز مختلف عن الأنواع التي تظهر على لوحة المعايرة والبطاقة الملصقة المثبتة على الموقد من أعلى، فقم بتغيير الحاقتات. انزع بطاقة المعلومات الملصقة واحتفظ بها مع كتيب التعليمات.

استخدم منظّات الضغط المناسبة للحصول على ضغط الغاز المحدد في التعليمات.

- يجب تغيير حاقتن الغاز بمعرفة مركز خدمة ما بعد البيع أو من قبل فني مؤهل؛
- يجب طلب شراء الحاقتن غير المرفق مع الجهاز عن طريق مركز خدمة ما بعد البيع.
- اضبط الصنابير على الحد الأدنى.

ملاحظة: في حالة استخدام غاز البترول السائل (G31/G30)، يجب ربط مسمار ضبط الحد الأدنى للغاز حتى آخره.

ملاحظة هامة: إذا وجدت صعوبة في تشغيل مفاتيح الشعلات، فالرجاء الاتصال بخدمة ما بعد البيع لاستبدال صنوبر الشعلة إذا كان به عطل.

ملاحظة هامة: عند استخدام أسطوانة الغاز، يجب أن يتم تثبيت أسطوانة الغاز أو حاوية الغاز بشكل صحيح (في الاتجاه الرأسي).

⚠ لا تسمح للهب الشعلات بأن يمتد خارج حافة الإناء.

ملاحظة هامة: قد تصبح منطقة الموقد كلها ساخنة عند وجود الموقد قيد الاستخدام.

- لإشعال إحدى الشعلات، قم بتدوير المفتاح المناسب عكس اتجاه عقارب الساعة إلى ضبط أقصى لهب.
- اضبط المفتاح تجاه لوحة التحكم لإشعال الشعلة.
- بعد اشتعال الشعلة، استمر في الضغط على المفتاح لمدة 5 - 10 ثوان حتى يعمل الجهاز بالطريقة الصحيحة.
- يقوم جهاز أمان الشعلة بإغلاق إمداد الغاز إلى الشعلة إذا انطفأ اللهب بشكل عارض (بسبب تيار هواء مفاجئ، توقف توصيل الغاز، غليان السوائل وفورانها... الخ).
- يجب عدم الضغط على المفتاح أكثر من 15 ثانية. إذا لم تظل الشعلة مشتعلة بعد انتهاء هذه المدة، فانتظر دقيقة على الأقل قبل أن تحاول مرة أخرى.

ملاحظة: إذا أدت ظروف موضعية معينة للغاز الذي يتم توصيله إلى جعل إشعال الشعلة أمراً صعباً، فإننا ننصح بتكرار العملية مع تشغيل الموقد عن طريق تدويره إلى إعداد اللهب المنخفض.

قد تنطفئ الشعلة عند تحرير الضغط على المفتاح. يعني ذلك أن جهاز السلامة لم يسخن بدرجة كافية. في هذه الحالة، كرر العملية السابقة.

في حالة السنة اللهب التي تنطفئ في الشعلات دون قصد، أدر مفتاح التحكم في الشعلة إلى وضع الإيقاف والحاول إعادة إشعال الشعلة لمدة دقيقة على الأقل.

نصائح عملية لاستخدام الشعلات

هذا الموقد به شعلات ذات أقطار مختلفة. من أجل الحصول على أداء أفضل للشعلة، يرجى مراعاة القواعد التالية:

- ستخدم الأواني والقذور التي يكون عرض قواعدها بنفس عرض الشعلات أو أكبر قليلاً (انظر الجدول الموجود في الجانب الأيمن)؛
- استعمل فقط القذور والأواني ذات القاعدة المسطحة؛
- استخدم كمية مياه مناسبة لطهي الأظعمة واترك الغطاء فوق القدر؛
- تأكد أن القذور التي على الشبكات غير بارزة خارج حافة الموقد؛
- في حالة المقالي المزودة بقواعد محببة (WOK)، استخدم دعامة الشواية، غير المرفقة، والتي لا؛
- تجنب الخيط غير المتعمد للموقد بالأواني أو الرفوف أو أدوات المطبخ الأخرى؛
- تجنب ترك شوايات الستيك فارغة على الشعلة المشغلة لما يزيد عن 5 دقائق.

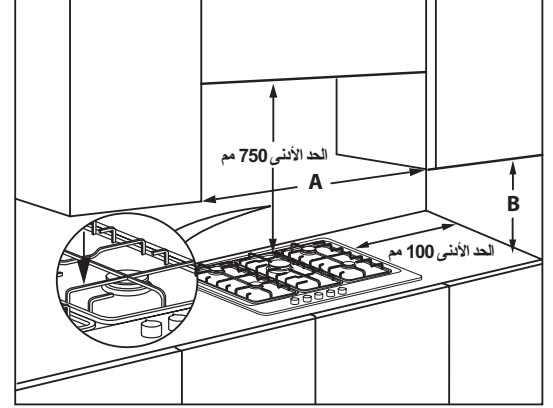
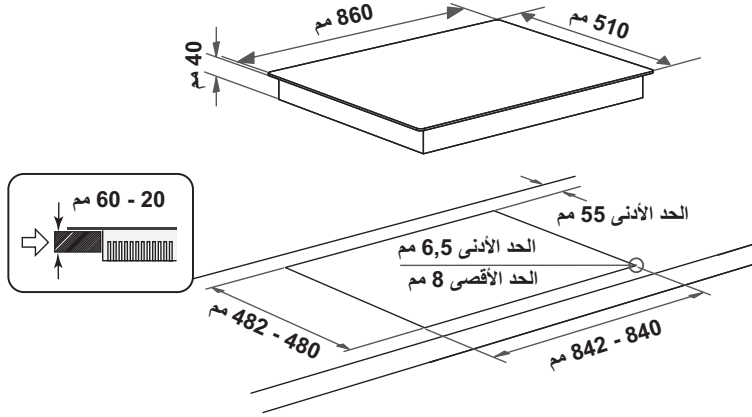
ملاحظة هامة: قد يؤدي الاستخدام غير الصحيح للشبكات إلى تلف الموقد؛ لا تضع الشبكات في وضع مقلوب أو تقم بامالتها على الموقد.

التوصيل الكهربائي (الفئة 3)

معلومات فنية لمن يقوم بتركيب الجهاز

- استخدم القفازات الواقية من أجل التعامل مع هذا المنتج وتجهيزه وتركيبه.
- يمكن وضع هذا المنتج في طاولة عمل بسطح سمكه 20 إلى 60 مم.
- في حالة عدم وجود فرن أسفل الموقد، أدخل لوحة فاصلة سطحها يساوي على الأقل الفتحة الموجودة في سطح العمل. يجب أن توضع هذه اللوحة على مسافة ال تزيد عن 150 مم أسفل السطح العلوي لسطح العمل، على ال تقل عن 20 مم من الجانب السفلي للموقد بأي حال من الأحوال. إذا كنت تنوي تركيب فرن أسفل الموقد، فتأكد من أنه مزود بنظام تبريد.

الأبعاد والمسافات التي يجب مراعاتها



ملاحظة: إذا كانت المسافة هي «A» بين خزان الحائط بين 600 مم و 730 ملم ، يجب أن يكون الارتفاع الحد الأدنى من 530 ملم. إذا كانت المسافة «A» بين خزائن الحائط أكبر من عرض الفرن ، يجب أن يكون الارتفاع «B» الحد الأدنى من 400 ملم. في حالة وجود غطاء فوق الفرن ، من فضلك الرجوع إلى تعليمات غطاء محرك السيارة إلى المسافة الصحيحة.

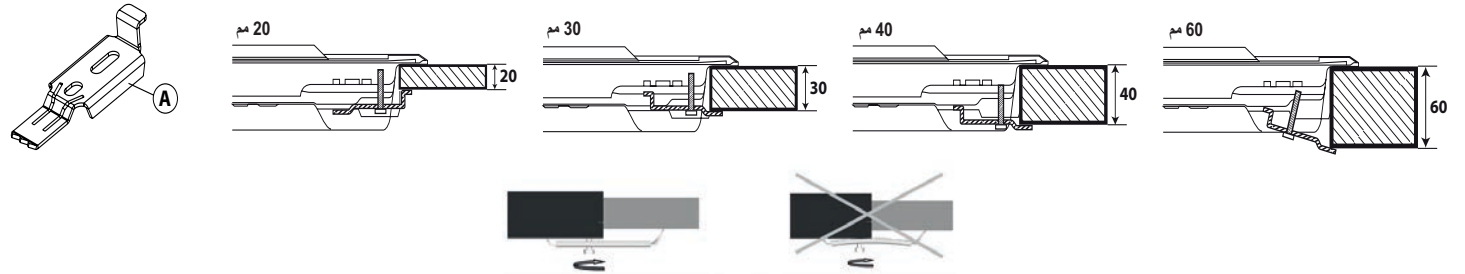
التركيب

بعد تنظيف السطح الخارجي لهذا المنتج، ضع مانع التسرب المرفق على الموقد كما هو مبين في الشكل.

ضع الموقد في فتحة سطح العمل المجهزة مع مراعاة الأبعاد المحددة في نشرة التعليمات.

ملاحظة: يجب أن يكون كبل توصيل التيار الكهربائي طويلا بحيث يسمح بتمريره لأعلى.

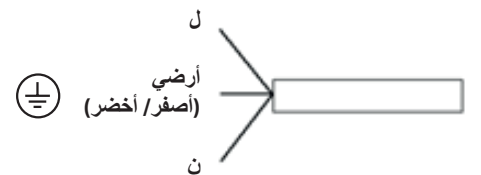
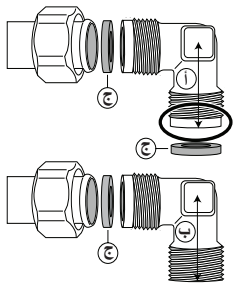
لتنصيب الموقد، استخدم أدوات التنصيب (أ) المرفقة معه. قم بتنصيب أدوات التنصيب في الفتحات المبينة بالسهم واربطها بالمسامير اللولبية حسب سُمك سطح العمل (انظر الأشكال التالية).



توصيل الغاز

- قم بتوصيل الوصلة المرفقية (أ) * أو (ب) * الواردة مع الموقد بأنبوب المدخل الرئيسي مع تركيب فلكة التنصيب (ج) الواردة مع الموقد بما يتفق مع توجيهات المعيار EN 549.
- استخدم الوصلة المرفقية (أ) في فرنسا واستخدام الوصلة المرفقية (ب) في جميع البلدان الأخرى.
- بعد توصيل مصدر الغاز، تأكد من عدم وجود تسرب وذلك باستخدام ماء به صابون. قم بإشعال الشعلات، وتدوير المفاتيح من موضع الحد الأقصى إلى موضع الحد الأدنى للتأكد من ثبات اللهب.

التوصيل بالتيار الكهربائي



إذا كان الموقد لا يعمل بالطريقة الصحيحة، فارجع إلى دليل استكشاف الأعطال وإصلاحها لتحديد المشكلة قبل استدعاء خدمة ما بعد البيع

1. تعذر إشعال الشعلة أو اللهب غير متساو

تأكد مما يلي:

- لم يتم غلق مصدر توصيل الغاز أو الكهرباء خاصة إذا كان صنوبر توصيل الغاز مفتوحاً.
- أسطوانة الغاز (الغاز السائل) ليست فارغة.
- فتحات الشعلات ليست مسدودة.
- طرف القابس ليس متسخاً.
- جميع أجزاء الشعلة تم تركيبها بالطريقة الصحيحة.
- عدم مرور تيارات هوائيه بالقرب من الموقد.

2. الشعلة لا تبقى مشتعلة

تأكد مما يلي:

- عند إشعال الشعلة، تم الضغط على المفتاح لمدة كافية من الوقت لتشغيل جهاز الحماية.
- فتحات الشعلات ليست مسدودة بالقرب من وصلة الازدواج الحراري.
- طرف جهاز الأمان ليس متسخاً.
- ضبط الحد الأدنى للغاز صحيح (انظر الفقرة المناسبة).

3. الأواني غير ثابتة

تأكد مما يلي:

- قاع الإناء من أسفل مسطح تماماً.
- الإناء تم وضعه في وسط الشعلة.
- الشبكات لم يتم تبديلها أو تم تركيبها بطريقة خاطئة.

إذا استمر حدوث الخلل بعد هذه الفحوصات، فاتصل بأقرب مركز لخدمة ما بعد البيع.

خدمة ما بعد البيع

الرقم التسلسلي (الرقم الوارد بعد كلمة SN على لوحة الصنع الموجودة أسفل الجهاز).
يشار إلى الرقم التسلسلي أيضاً في الوثائق.



Mod. XXX XXX
Ind.C. XXXX XXXX XXXX
SN: XXXX XXXX XXXX
Prod.N. XXXX XXXX XXXX

- عنوانك بالكامل،
- رقم هاتفك.

عند الحاجة للقيام بأية إصلاحات، يرجى الاتصال بأحد مراكز خدمة ما بعد البيع المعتمدة (لضمان استخدام قطع الغيار الأصلية وتنفيذ الإصلاحات بشكل صحيح).

- للحصول على مزيد من المساعدة والدعم الشامل، يرجى تسجيل منتجك على الموقع www.whirlpool.eu/register

قبل الاتصال بخدمة ما بعد البيع:

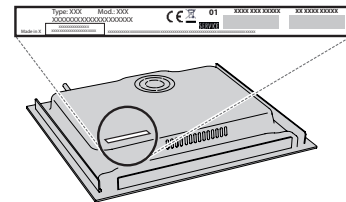
1. تحقق مما إذا كان بمقدورك حل المشكلة بنفسك بمساعدة الاقتراحات المقدمة في دليل التغلب على الأعطال.
2. أوقف الجهاز، ثم أعد تشغيله مرة أخرى للتحقق مما إذا كان العطل لا يزال قائماً.

إذا كان العطل لا يزال قائماً بعد القيام بالفحوصات المذكورة أعلاه، فاتصل بأقرب مركز لخدمة ما بعد البيع.

للحصول على المساعدة اتصل بالرقم المبين في كتيب الضمان أو اتبع التعليمات الموجودة على الموقع الإلكتروني www.whirlpool.eu

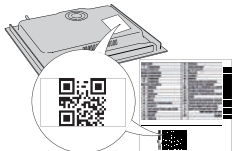
عند الاتصال بخدمة ما بعد البيع، يرجى دوماً تحديد ما يلي:

- وصف مختصر للعطل،
- نوع الجهاز وطرازه بدقة،



يمكن العثور على السياسات والمستندات القياسية ومعلومات المنتج الإضافية من خلال:

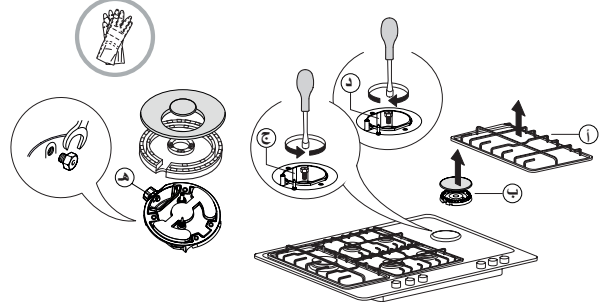
- استخدام كود الاستجابة السريعة بجهازك،
- زيارة موقعنا docs.whirlpool.eu/docs
- وكبديل، يمكنك الاتصال بخدمة ما بعد البيع لدينا (راجع رقم التليفون في كتيب الضمان). يرجى عند الاتصال بخدمة ما بعد البيع ذكر الأكواد المذكورة على لوحة تمييز المنتج.



استبدال الحاقنات (انظر جدول الحاقنات الوارد في نشرة تعليمات السلامة)

⚠ يجب ألا تتم هذه العملية إلا بواسطة فني مؤهل.

- اخلع الشبكة (أ).
- اخلع الشعلات (ب).
- اخلع الحاقن (ج) المراد استبداله باستخدام مفتاح ربط ذي مقاس مناسب.
- استبدله بحاقن مناسب لنوع الغاز الجديد.
- أعد تركيب الحاقن في (د).
- إذا كان لديك شعلة متعددة التيجان، فاستخدم مفتاحاً جانبياً لإعادة تركيب الحاقن (هـ).



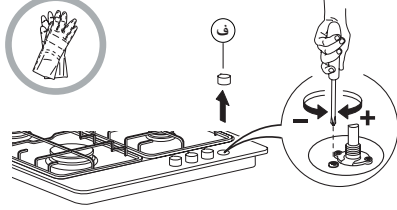
قبل تركيب الموقد، تذكر تثبيت لوحة معايرة الغاز المرفقة مع الحاقنات بالطريقة الموضحة في المعلومات الحالية المتعلقة بمعايرة الغاز.

ضبط الصنابير على الحد الأدنى للغاز

⚠ يجب ألا تتم هذه العملية إلا بواسطة فني مؤهل.

- يجب إجراء الضبط بحيث يكون الصنوبر في موضع ضبط الحد الأدنى للغاز (⊖ (لهب صغير).
- ليس من الضروري ضبط الهواء الرئيسي في الشعلات.
- لضمان ضبط الحد الأدنى بالطريقة الصحيحة، الخلع المفتاح (ف) واستمر حسب الخطوات التالية
- أحكم ربط المسامر اللولبي لتقليل ارتفاع اللهب (-)؛
- قم بإرخاء المسامر اللولبي لزيادة ارتفاع اللهب (+)؛

في هذه المرحلة، قم بإشعال الشعلات، وتدوير المفاتيح من موضع الحد الأقصى (⊕) إلى موضع الحد الأدنى (⊖) للتأكد من ثبات اللهب.



عند الانتهاء من عملية الضبط، أعد إحكام منع التسرب باستخدام شمع منع للتسرب أو أي مادة مكافئة

جدول الطهي

المستوى	طريقة/نوعية الطهي (موصى به ل)	نصائح للطهي
1-2	الاحتفاظ بالسخونة الطهي الخفيف	مثالي لإذابة الزبد والصور البطيء للشيكولاته على حمام ماء، وإذابة الكميات الصغيرة وتلغيط الريفوتو بالكريمة.
3-4	الطهي البطيء الطهي لفترة طويلة	مثالي لوصفات الطهي البطيء (الأرز والصوص واللحم المشوي والأسماك) باستخدام السوائل (الماء والنبيدز والمرقة) وتلغيط المعجنات والحفاظ على غليان خفيف.
5-6	الشواء القلي	مثالي للسوتيه وطهي الخضروات ببطء لفترة طويلة وإحماء الملحقات وتلغيط الطعام.
7-8	القلي السريع الشواء	مثالي للتحمير وبدء الطهي وغلي السوائل بسرعة والقلي السريع للمجمدات وشواء اللحم والأسماك والحفاظ على غليان نشط.
9	التسخين السريع	مثالي لزيادة درجة حرارة الطعام بسرعة للقلي السريع أو لتسخين السوائل (الماء).

التنظيف و الصيانة

⚠ يجب فصل التيار الكهربائي عن الجهاز قبل إجراء الصيانة.

تنظيف سطح الموقد

- لا تنظف اللوح الزجاجي والأجزاء المطلية بطبقة الميناء إلا بقطعة قماش ناعمة أو قطعة إسفنجية.
- يمكن خلع الشبكات وأغطية الشعلات والشعلات وتنظيفها.
- قم بتنظيفها باليد باستخدام ماء دافئ ومنظف غير كاشط، وتخلص من أي بقايا طعام وتأكد من عدم انسداد أي فتحة من فتحات الشعلات.
- اشطفه وجففه.
- يمكن تنظيف الشبكات المصنوعة من حديد الزهر في غسالة الأطباق.
- أزل أي بقايا أطعمة محترقة قبل وضع الشبكات في الرف السفلي بغسالة الأطباق.
- أعد تركيب الشعلات وأغطية الشعلات بالطريقة الصحيحة في أماكنها المناسبة.
- عند إعادة تركيب الشبكات تأكد أن منطقة حاملات الأواني متوازنة مع الشعلة.
- الموديلات المجهزة بقوابس إشعال كهربائية وأداة للسلامة تتطلب تنظيفاً شاملاً لطرف القابض لضمان التشغيل الصحيح. افحص هذه الأشياء بصورة متكررة، وإذا لزم الأمر قم بتنظيفها بقطعة قماش مبللة بالماء. يجب إزالة أي طعام متيبس باستخدام عود تنظيف الأسنان أو إبرة.
- ملاحظة: لتجنب تعرض جهاز الإشعال الكهربائي للتلف، لا تستخدمه إذا كانت الشعلات ليست في مكانها.

- يجب تنظيف كل الأجزاء الزجاجية والمصقولة بماء دافئ ومحلول متعادل.
- الأسطح المصنوعة من الصلب الذي لا يصدأ قد تظهر بها بقع في حالة غسلها بماء به جير أو منظفات قوية وتركها بها لمدة طويلة. يجب مسح أي طعام ينسكب على الموقد (ماء، صلصة، قهوة... الخ) قبل أن يجف.
- يجب أن يتم التنظيف بماء دافئ ومنظف متعادل، ثم تجفيفه بقطعة قماش ناعمة أو قطعة شمواه. تخلص من الأوساخ المتصلبة باستخدام منظفات خاصة بالأسطح المصنوعة من الصلب الذي لا يصدأ (الاستينلس ستيل).
- ملاحظة: لا تنظف الأسطح المصنوعة من الصلب الذي لا يصدأ (الاستينلس ستيل) إلا بقطعة قماش ناعمة أو قطعة إسفنجية.
- لا تستخدم منتجات كاشطة أو أكالة أو منظفات الكلور أو منظفات الأواني المصنوعة من المعدن.
- لا تستخدم أجهزة التنظيف بالبخار.
- لا تستخدم منتجات التنظيف القابلة للاشتعال.
- لا تترك مواد حمضية أو قلووية، كالخل أو المستردة أو الملح أو السكر أو عصير الليمون على الموقد.