

Dell OptiPlex 3280 All-in-One

Setup and Specifications



Notes, cautions, and warnings

 **NOTE:** A NOTE indicates important information that helps you make better use of your product.

 **CAUTION:** A CAUTION indicates either potential damage to hardware or loss of data and tells you how to avoid the problem.

 **WARNING:** A WARNING indicates a potential for property damage, personal injury, or death.

Chapter 1: Set up your computer.....	4
Chapter 2: Views of Dell Optiplex 3280 All-in-One	11
Front.....	11
Retractable camera.....	12
Left.....	13
Right.....	14
Back.....	15
Bottom.....	16
Inside view of your computer.....	16
System board layout.....	18
Chapter 3: Specifications of Dell Optiplex 3280 All-in-One	19
Dimensions and weight.....	19
Processors.....	19
Chipset.....	20
Operating system.....	20
Memory.....	21
Ports and connectors.....	21
Communications.....	22
Audio.....	23
Storage.....	23
Intel Optane memory.....	24
Media-card reader.....	24
Camera.....	24
Power adapter.....	25
Display.....	26
Video.....	27
Computer environment.....	27
Security.....	27
Data security.....	28
Environmental.....	28
Regulatory.....	29
Accessories.....	29
OptiPlex 3280 All-in-One stands.....	30
Service and support.....	42
Chapter 4: Getting help and contacting Dell.....	43

Set up your computer

Steps

1. Set up the stand.

Table 1. Installing the stands

Stands	Installing the stands
Fixed Stand	

Table 1. Installing the stands (continued)



Stands	Installing the stands
<p>Articulating stand</p>	 <p>2</p>
<p>Height Adjustable Stand</p>	<p>i NOTE: Follow the same procedure to install the Height Adjustable Stand with Optical Disk Drive.</p>

Table 1. Installing the stands (continued)

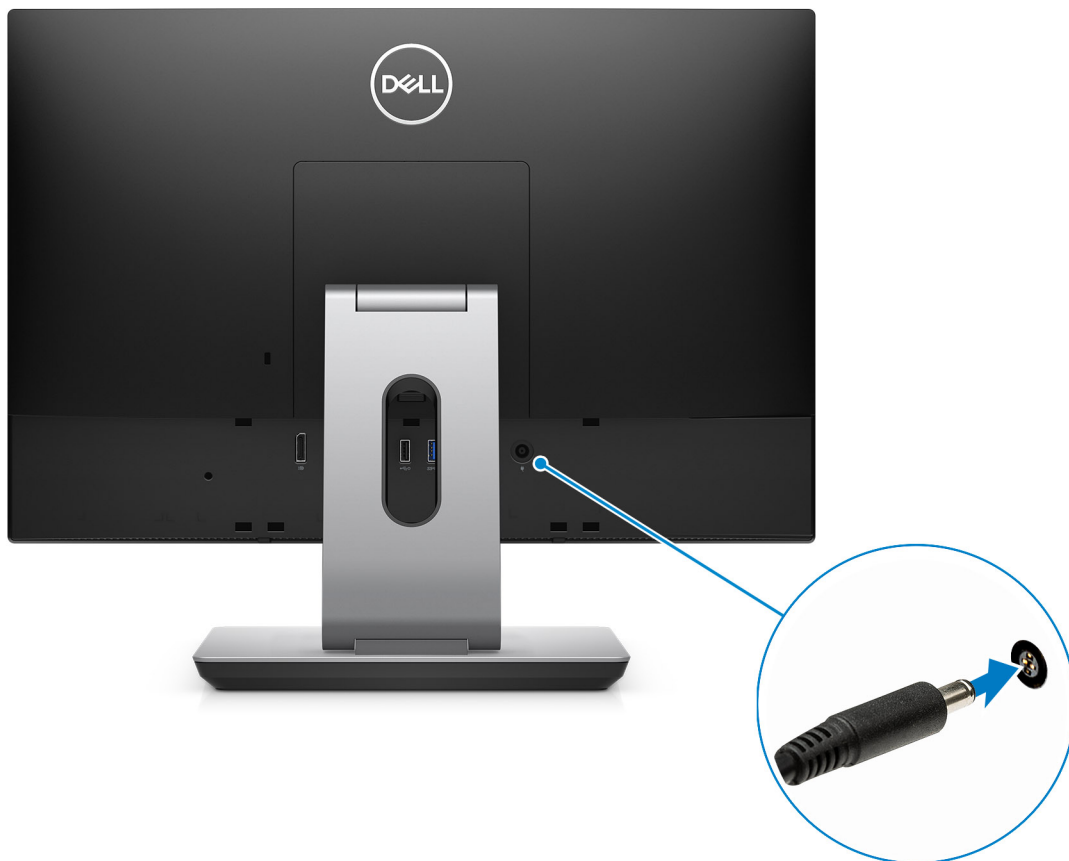
Stands	Installing the stands
	

2. Set up the keyboard and mouse.

i **NOTE:** For setup instructions, see the documentation shipped with the keyboard and mouse.



3. Route the power cable through the stand, then connect the power cable.



4. Press the power button.

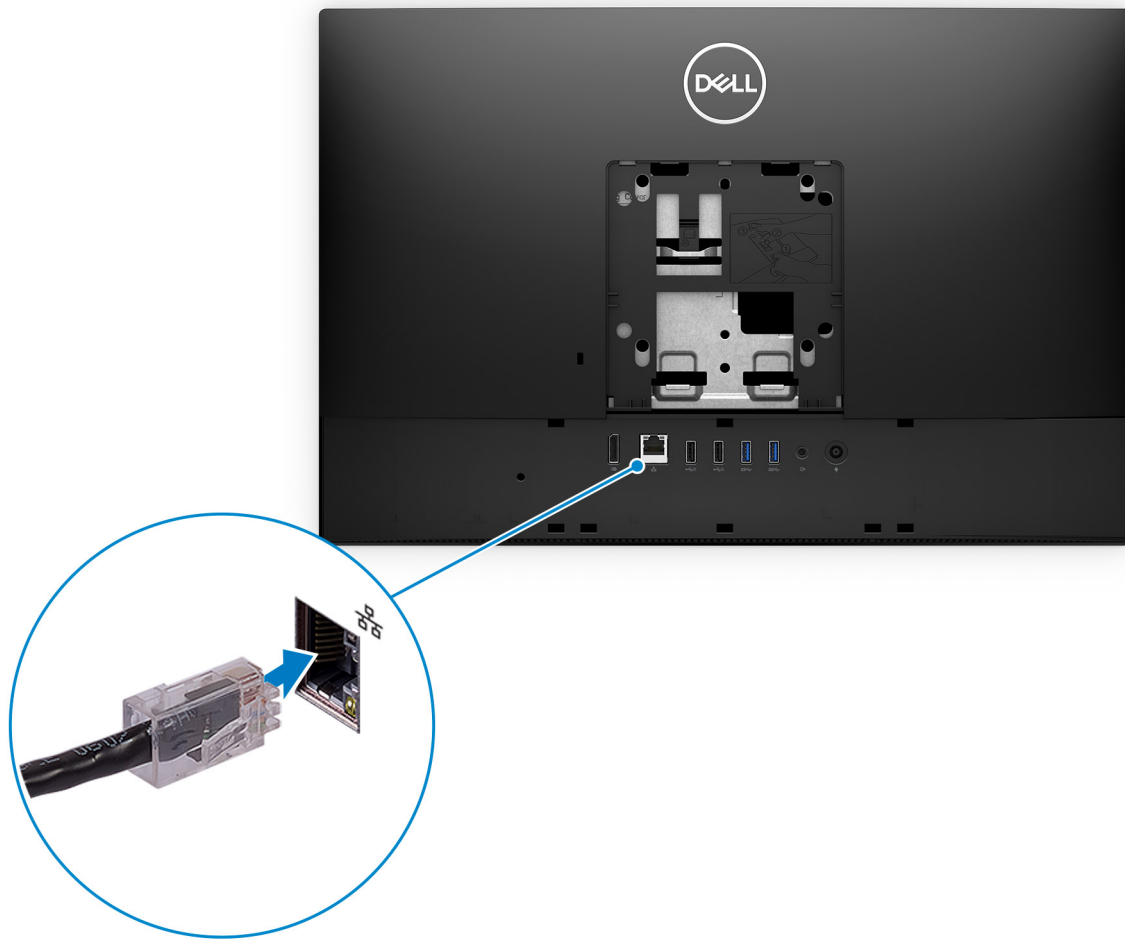


5. Finish Windows setup.

Follow the on-screen instructions to complete the setup. When setting up, Dell recommends that you:

- Connect to a network for Windows updates.




i **NOTE:** If connecting to a secured wireless network, enter the password for the wireless network access when prompted.



- If connected to the internet, sign-in with or create a Microsoft account. If not connected to the internet, create an offline account.
- On the **Support and Protection** screen, enter your contact details.

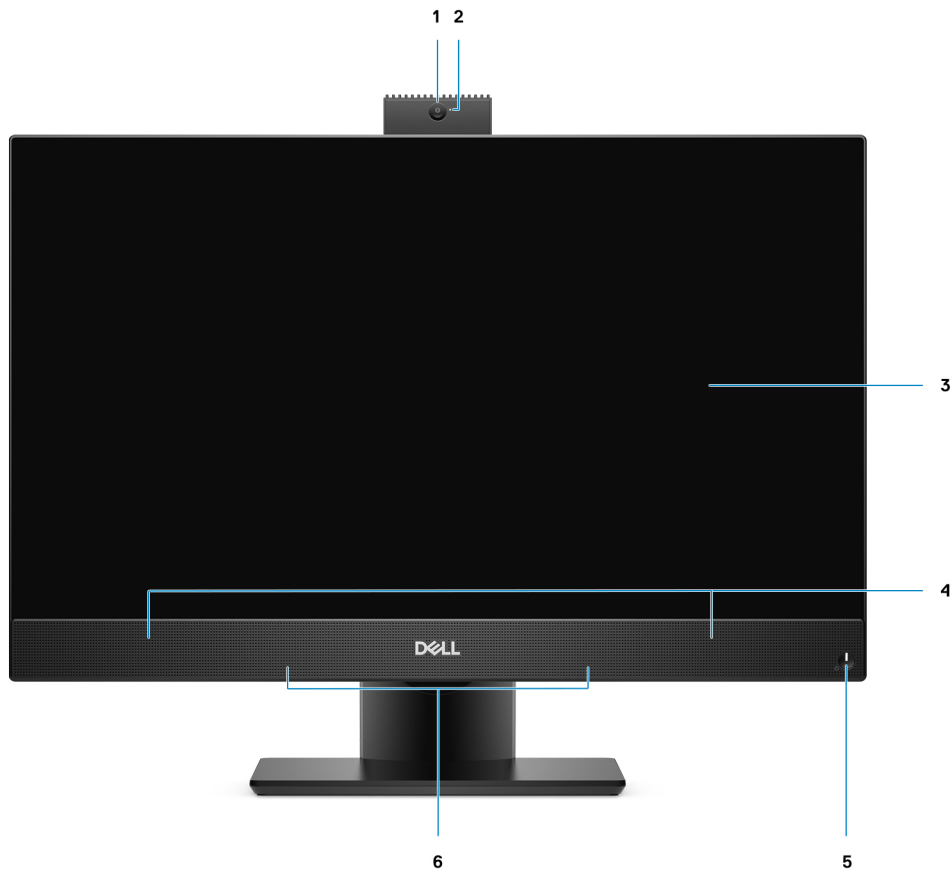
6. Locate and use Dell apps from the Windows Start menu—Recommended

Table 2. Locate Dell apps

Resources	Description
	<p>SupportAssist</p> <p>Pro-actively checks the health of your computer’s hardware and software. The SupportAssist OS Recovery tool troubleshoots issues with the operating system. For more information, see the SupportAssist documentation at www.dell.com/support.</p> <p>NOTE: In SupportAssist, click the warranty expiry date to renew or upgrade your warranty.</p>
	<p>Dell Update</p> <p>Updates your computer with critical fixes and latest device drivers as they become available. For more information about using Dell Update, see the knowledge base article SLN305843 at www.dell.com/support.</p>
	<p>Dell Digital Delivery</p> <p>Download software applications, which are purchased but not pre-installed on your computer. For more information about using Dell Digital Delivery, see the knowledge base article 153764 at www.dell.com/support.</p>

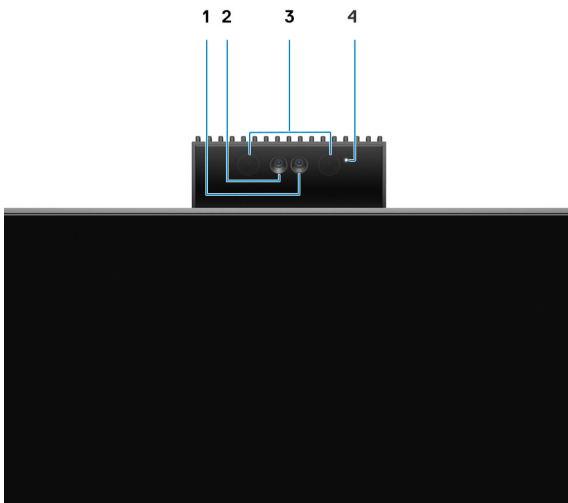
Views of Dell Optiplex 3280 All-in-One

Front



- | | |
|--|------------------------|
| 1. Full HD webcam | 2. Camera-status light |
| 3. Display | 4. Speakers |
| 5. Power button/power-status indicator | 6. Array microphones |

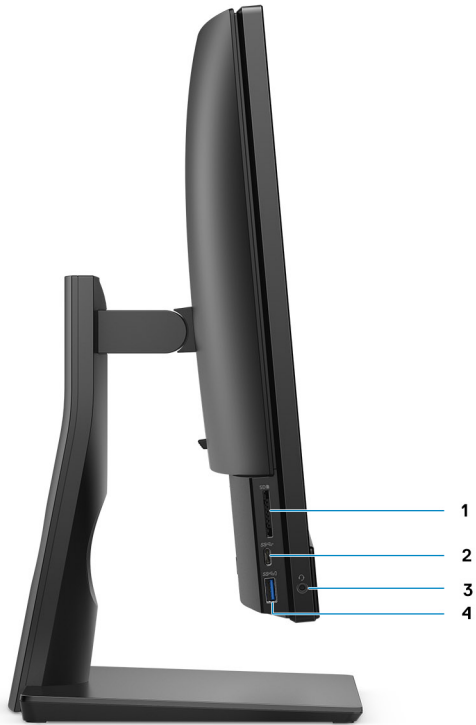
Retractable camera



i **NOTE:** Depending on the configuration ordered, your computer will have no camera, only Full HD camera, or both Full HD camera and infrared camera.

1. Full HD camera
2. Infrared camera
3. Infrared emitter
4. Camera-status light

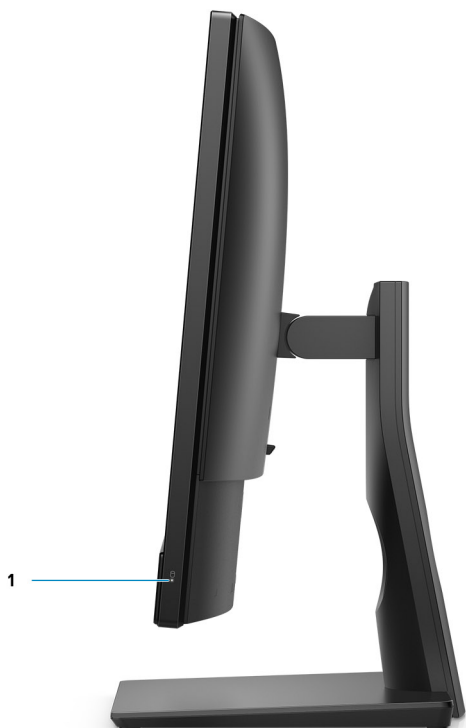
Left



1. SD 3.0 card slot
3. Universal audio jack

2. USB 3.2 Gen 1 Type-C port
4. USB 3.2 Gen 1 Type-A port with PowerShare

Right

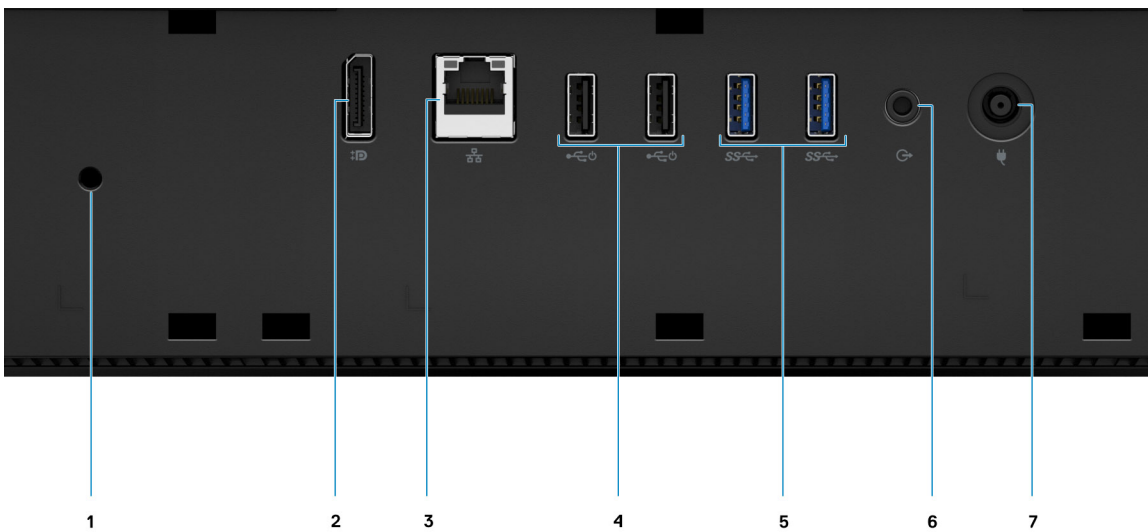


1. Hard-drive status indicator

Back



- 1. Back cover
- 2. Stand cover
- 3. Kensington security-cable slot
- 4. Back bottom cover
- 5. Stand

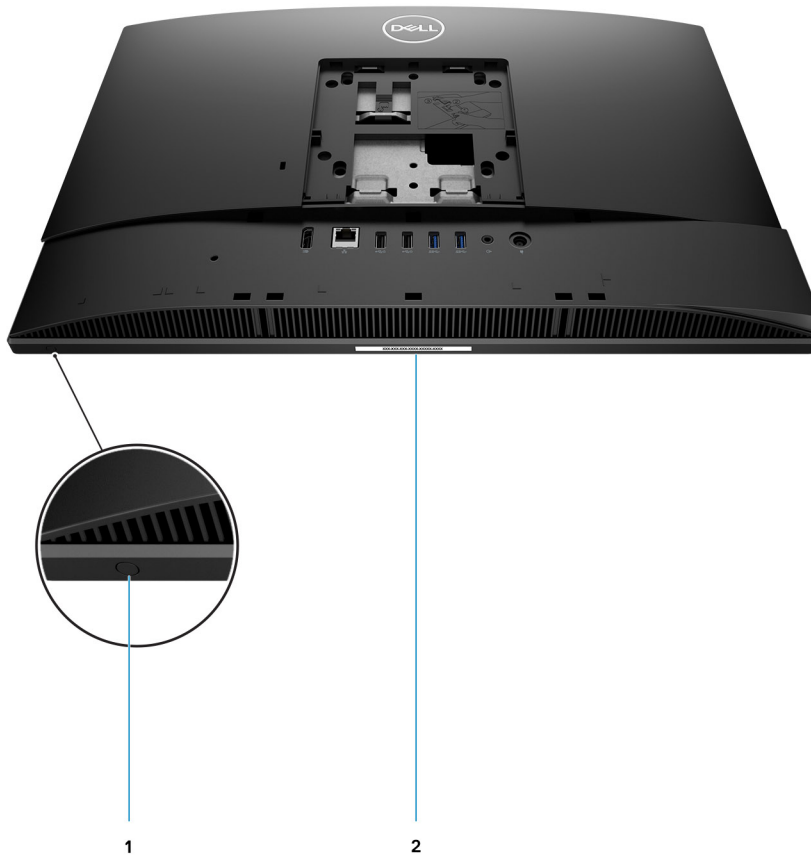


- 1. Cable cover screw hole
- 2. DP++ 1.4/HDCP 2.3 port

3. RJ-45 port 10/100/1000 Mbps
5. USB 3.2 Gen 1 Type-A ports
7. Power connector

4. USB 2.0 ports with Smart Power On
6. Line-out audio port

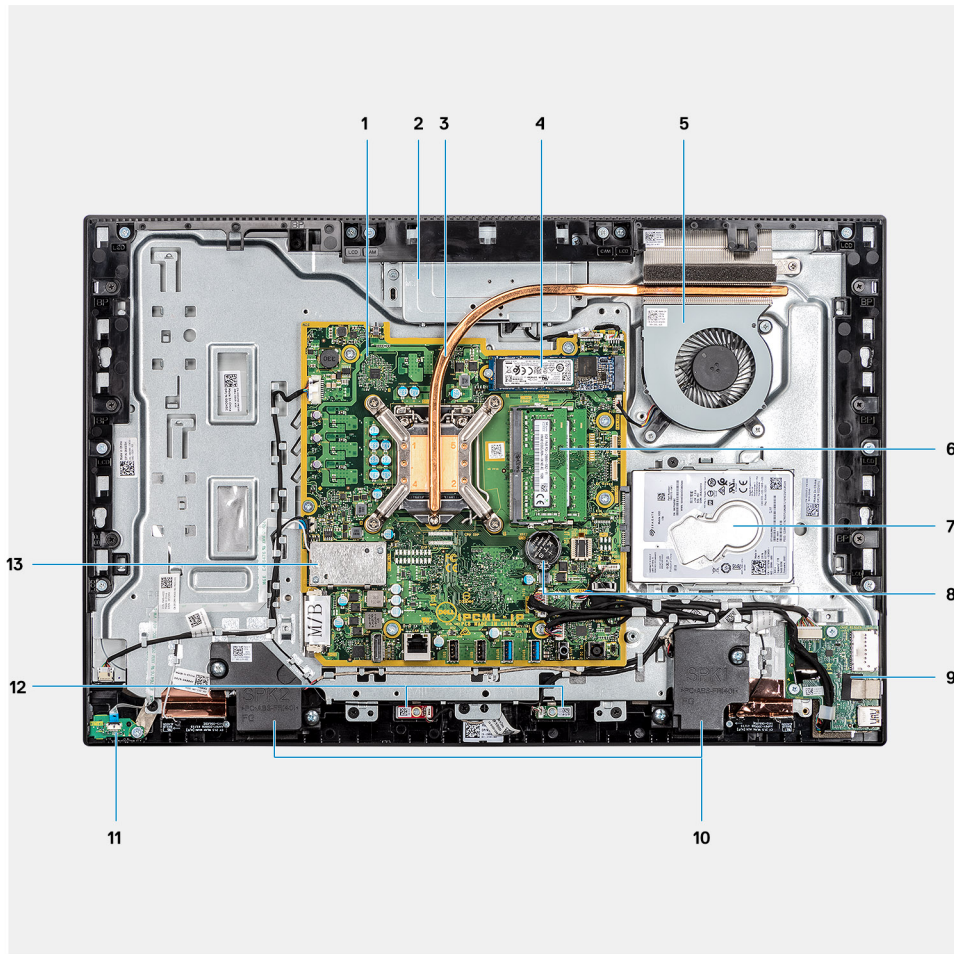
Bottom



1. Display Built-in Self Test button
2. Service tag label

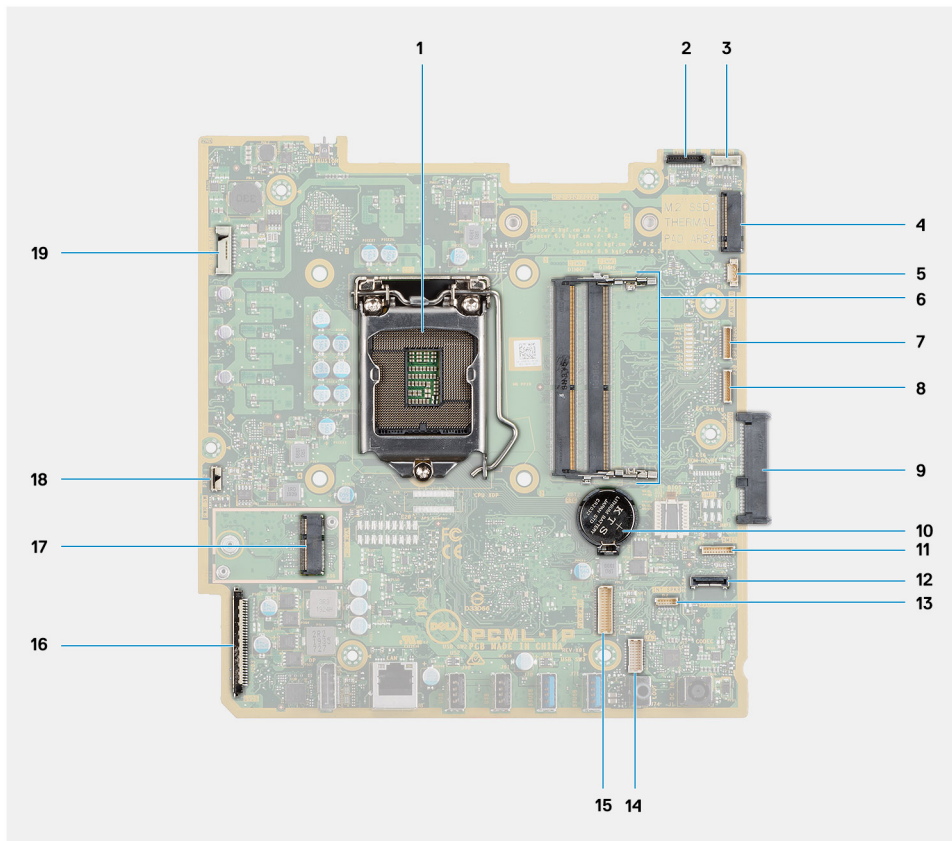
Inside view of your computer

NOTE: The appearance of heat sink differs depending on the graphics configuration you ordered.



- | | |
|------------------------|--|
| 1. System board | 2. Camera assembly |
| 3. Heat sink | 4. M.2 2230/2280 solid-state drive/Intel Optane PCIe connector |
| 5. System fan | 6. Memory module |
| 7. Hard drive | 8. Coin-cell battery |
| 9. Side-I/O board | 10. Speakers |
| 11. Power-button board | 12. Microphones |
| 13. Wireless card | |

System board layout



1. Processor
2. Camera cable connector
3. Touch-screen cable connector
4. M.2 2230/2280 solid-state drive/Intel Optane PCIe connector
5. System-fan cable connector
6. Memory module
7. eSPI Debug Card cable connector
8. EC debug connector
9. Hard-drive connector
10. Coin-cell battery
11. Microphone-module cable connector
12. SIO-signal cable connector
13. Speaker cable connector
14. Audio-board cable connector
15. SIO-power cable connector
16. Display cable connector
18. Power-button cable connector
19. Display back-light cable connector

Specifications of Dell Optiplex 3280 All-in-One

Dimensions and weight

Table 3. Dimensions and weight

Description	Values for touch display	Values for non-touch display
Height	329.40 mm (12.96 in.)	329.40 mm (12.96 in.)
Width	497.90 mm (19.60 in.)	497.90 mm (19.60 in.)
Depth	54.50 mm (2.14 in.)	54.50 mm (2.14 in.)
Weight (maximum)	5.11 kg (11.26 lb)	4.68 kg (10.31 lb)
Weight (minimum)	4.75 kg (10.47 lb)	4.34 kg (9.56 lb)

NOTE: The weight of your computer depends on the configuration ordered and the manufacturing variability.

Processors

NOTE: Global Standard Products (GSP) are a subset of Dell's relationship products that are managed for availability and synchronized transitions on a worldwide basis. They ensure the same platform is available for purchase globally. This allows customers to reduce the number of configurations managed on a worldwide basis, thereby reducing their costs. They also enable companies to implement global IT standards by locking in specific product configurations worldwide.

Device Guard (DG) and Credential Guard (CG) are the new security features that only available on Windows 10 Enterprise today. Device Guard is a combination of enterprise-related hardware and software security features. When you configure together, it locks a device down so that it can only run trusted applications. If it is not a trusted application, it cannot run. Credential Guard uses virtualization-based security to isolate secrets (credentials) so that only privileged system software can access them. Unauthorized access to these secrets can lead to credential theft attacks. Credential Guard prevents these attacks by protecting NTLM password hashes and Kerberos Ticket Granting Tickets.

NOTE: Processor numbers are not a measure of performance. Processor availability subject to change and may vary by region/country.

Table 4. Processors

Processors	Wattage	Core count	Thread count	Speed	Cache	Integrated graphics
10 th Generation Intel Celeron G5905T	35 W	2	2	3.3 GHz	4 MB	Intel UHD Graphics 610
10 th Generation Intel Pentium Gold G6405T	35 W	2	4	3.5 GHz	4 MB	Intel UHD Graphics 610
10 th Generation Intel Pentium Gold G6505T	35 W	2	4	3.6 GHz	4 MB	Intel UHD Graphics 630

Table 4. Processors (continued)

Processors	Wattage	Core count	Thread count	Speed	Cache	Integrated graphics
10 th Generation Intel Core i3-10105T	35 W	4	8	3.0 GHz to 3.9 GHz	6 MB	Intel UHD Graphics 630
10 th Generation Intel Core i3-10305T	35 W	4	8	3.0 GHz to 4.0 GHz	8 MB	Intel UHD Graphics 630
10 th Generation Intel Core i5-10400T	35 W	6	12	2.0 GHz to 3.6 GHz	12 MB	Intel UHD Graphics 630
10 th Generation Intel Core i5-10500T	35 W	6	12	2.3 GHz to 3.8 GHz	12 MB	Intel UHD Graphics 630
10 th Generation Intel Core i5-10600T	35 W	6	12	2.4 GHz to 4.0 GHz	12 MB	Intel UHD Graphics 630

Chipset

Table 5. Chipset

Description	Values
Chipset	Intel B460
Processor	10 th Generation Intel Core i3, Intel Celeron, and Intel Pentium Gold
DRAM bus width	<ul style="list-style-type: none"> 64-bit (for single channel) 128-bit (for dual channel)
Flash EPROM	32 MB
PCIe bus	Up to Gen 3
Non-volatile memory	Yes
BIOS configuration Serial Peripheral Interface (SPI)	256 Mbit (32 MB) located at SPI_FLASH
Trusted Platform Module (TPM) 2.0 (Discrete TPM Enabled)	24 KB located at TPM 2.0 on chipset
Firmware-TPM (Discrete TPM disabled)	By default the Platform Trust Technology feature is visible to the operating system.
NIC EEPROM	LOM configuration contained within SPI flash ROM instead of LOM e-fuse

Operating system

Your Dell Optiplex 3280 All-in-One supports the following operating systems:

- Windows 11 Home, 64-bit
- Windows 11 Pro, 64-bit
- Windows 11 Pro National Academic, 64-bit
- Windows 10 Home, 64-bit
- Windows 10 Pro, 64-bit
- Windows 10 Pro Education, 64-bit
- Windows 10 IoT Enterprise 2019 LTSC (OEM only)

- Ubuntu 18.04 LTS, 64-bit
- Neokylin 7.0

Memory

The following table lists the memory specifications of your Dell Optiplex 3280 All-in-One :

Table 6. Memory specifications

Description	Values
Slots	Two SO-DIMM slots
Type	DDR4, Non-ECC
Speed	2666 MHz
Maximum memory	64 GB
Minimum memory	4 GB
Memory size per slot	4 GB, 8 GB, 16 GB, 32 GB
Configurations supported	<ul style="list-style-type: none"> • 4 GB, 1 x 4 GB, DDR4, 2666 MHz • 8 GB, 1 x 8 GB, DDR4, 2666 MHz • 8 GB, 2 x 4 GB, DDR4, 2666 MHz • 16 GB, 1 x 16 GB, DDR4, 2666 MHz • 16 GB, 2 x 8 GB, DDR4, 2666 MHz • 32 GB, 2 x 16 GB, DDR4, 2666 MHz • 32 GB, 1 x 32 GB, DDR4, 2666 MHz • 64 GB, 2 x 32 GB, DDR4, 2666 MHz

Ports and connectors

Table 7. External ports and connectors

Description	Values
External:	
Network	One RJ-45 Port 10/100/1000 Mbps (rear)
USB	<ul style="list-style-type: none"> • One USB 3.2 Gen 1 Type-C port (side) • One USB 3.2 Gen 1 Type-A port with PowerShare (side) • Two USB 2.0 ports with Smart Power On (rear) • Two USB 3.2 Gen 1 Type-A ports (rear)
Audio	<ul style="list-style-type: none"> • One Universal audio jack (side) • One Line-out audio port (rear)
Video	One DP++ 1.4/HDCP 2.3 port (rear)
Media card reader	One SD 3.0 card slot
Docking port	Not supported
Power adapter port	130 W, 7.4 mm x 5.1 mm

Table 7. External ports and connectors (continued)

Description	Values
Security	One Kensington security-cable slot

Table 8. Internal storage ports and connectors

Description	Values
Internal:	
M.2	<ul style="list-style-type: none"> One M.2 2230 slot for Wi-Fi and Bluetooth card One M.2 2230/2280 slot for SSD/Intel Optane <p>NOTE: To learn more about the features of different types of M.2 cards, see the knowledge base article SLN301626.</p>

Communications

Ethernet

Table 9. Ethernet specifications

Description	Values
Model number	REALTEK RTL8111HSD-CG
Transfer rate	10/100/1000 Mbps

Wireless module

Table 10. Wireless module specifications

Description	Values		
Model number	Intel Wi-Fi 6 AX200	Qualcomm QCA61x4A	Intel 3165
Transfer rate	Up to 2400 Mbps	Up to 867 Mbps	Up to 433 Mbps
Frequency bands supported	2.4 GHz/5 GHz	2.4 GHz/5 GHz	2.4 GHz/5 GHz
Wireless standards	<ul style="list-style-type: none"> Wi-Fi 802.11 a/b/g Wi-Fi 4 (WiFi 802.11n) Wi-Fi 5 (WiFi 802.11ac) Wi-Fi 6 (WiFi 802.11ax) 	<ul style="list-style-type: none"> Wi-Fi 802.11 a/b/g Wi-Fi 4 (WiFi 802.11n) Wi-Fi 5 (WiFi 802.11ac) 	<ul style="list-style-type: none"> Wi-Fi 802.11 a/b/g Wi-Fi 4 (WiFi 802.11n) Wi-Fi 5 (WiFi 802.11ac)
Encryption	<ul style="list-style-type: none"> 64-bit/128-bit WEP AES-CCMP TKIP 	<ul style="list-style-type: none"> 64-bit/128-bit WEP AES-CCMP TKIP 	<ul style="list-style-type: none"> 64-bit/128-bit WEP AES-CCMP TKIP
Bluetooth	Bluetooth 5.1	Bluetooth 5.0	Bluetooth 4.2

Audio

Table 11. Audio specifications

Description		Values
Controller		Realtek codec ALC3246
Stereo conversion		Supported
Internal interface		High definition audio interface
External interface		Universal audio jack
Speakers		Two
External volume controls		Not supported
Speaker output:		
	Average	2 W
	Peak	2.5 W
Subwoofer output		Not supported
Microphone		Two

Storage

Your computer supports one of the following configurations:

- One 2.5-inch hard-disk drive
- One M.2 2230/2280 solid-state drive (class 35, 40)
- One M.2 2230/2280 solid-state drive (class 35, 40) and one 2.5-inch hard-disk drive
- Dual M.2 2230/2280 solid-state drives (class 35, 40)
- Dual M.2 2230/2280 solid-state drives (class 35, 40) and one 2.5-inch hard-disk drive
- One 2.5-inch hard-disk drive and one M.2 16 GB Intel Optane Memory

The primary drive of your computer varies with the storage configuration. For computers:

- With a M.2 drive, the M.2 drive is the primary drive
- Without a M.2 drive, the 2.5-inch hard-disk drive is the primary drive
- With a M.2 16 GB Intel Optane memory, the 2.5-inch hard-disk drive is the primary drive

Table 12. Storage specifications

Storage type	Interface type	Capacity
2.5-inch, 7200 RPM, Hard-disk drive	SATA	Up to 1 TB
2.5-inch, 7200 RPM, Opal Self-Encrypting Hard-disk drive	FIPS SATA	Up to 500 GB
2.5-inch, 5400 RPM, Hard-disk drive	SATA	Up to 2 TB
M.2 2230, PCIe NVMe, Class 35 solid-state drive	Gen 3 PCIe x4 NVMe	Up to 512 GB
M.2 2230, PCIe NVMe, Opal Self-Encrypting Class 35 solid-state drive	Gen 3 PCIe x4 NVMe	Up to 256 GB
M.2 2280, PCIe NVMe, Class 40 solid-state drive	Gen 3 PCIe x4 NVMe	Up to 2 TB

Table 12. Storage specifications (continued)

Storage type	Interface type	Capacity
M.2 2280, PCIe NVMe, Opal Self-Encrypting Class 40 solid-state drive	Gen 3 PCIe x4 NVMe	Up to 1 TB

Intel Optane memory

Intel Optane memory functions only as a storage accelerator. It neither replaces nor adds to the memory (RAM) installed on your computer.

NOTE: Intel Optane memory is supported on computers that meet the following requirements:

- 7th Generation or higher Intel Core i3/i5/i7 processor
- Windows 64-bit version or higher
- Latest version of Intel Rapid Storage Technology driver

Table 13. Intel Optane memory

Description	Values
Type	Memory
Interface	Gen 3 PCIe x4 NVMe
Connector	M.2 2280
Configurations supported	16 GB
Capacity	Up to 16 GB

Media-card reader

Table 14. Media-card reader specifications

Description	Values
Type	One Secure Digital (SD) 3.0 card
Cards supported	<ul style="list-style-type: none"> • Secure Digital High Capacity (SDHC) • Secure Digital Extended Capacity (SDXC) • Secure Digital (SD) 3.0 • SD UHS-I (UHS50)

Camera

Table 15. Full HD Infrared Webcam (with Windows Hello support)

Description	Values
Number of cameras	Two
Type	FHD RGB camera/VGA Infrared camera
Location	Front camera
Sensor type	CMOS sensor technology

Table 15. Full HD Infrared Webcam (with Windows Hello support) (continued)

Description		Values
Resolution		
	Camera	
	Still image	2.07 megapixel
	Video	1920 x 1080 (FHD) at 30 fps
Infrared camera		
	Still image	0.30 megapixel
	Video	640 x 480 (VGA) at 30 fps
Diagonal viewing angle		
	Camera	77.5 degrees
	Infrared camera	82.8 degrees

Table 16. Full HD Webcam

Description		Values
Number of cameras		One
Type		FHD RGB camera
Location		Front camera
Sensor type		CMOS sensor technology
Resolution		
	Camera	
	Still image	2.07 megapixels
	Video	1920 x 1080 (FHD) at 30 fps
Diagonal viewing angle		77.4 degrees

Power adapter

Table 17. Power adapter specifications

Description	Values
Type	130 W
Diameter (connector)	7.4 mm x 5.1 mm
Input voltage	100 VAC x 240 VAC
Input frequency	50 Hz x 60 Hz
Input current (maximum)	1.80 A
Output current (continuous)	6.70 A
Rated output voltage	19.50 VDC
Temperature range:	

Table 17. Power adapter specifications (continued)

Description		Values
	Operating	0°C to 40°C (32°F to 104°F)
	Storage	-40°C to 70°C (-40°F to 158°F)

Display

Table 18. Display specifications

Description		Values for touch display	Values for non-touch display
Type		Full High Definition (FHD)	Full High Definition (FHD)
Panel technology		Wide Viewing Angle (WVA)/In-Plane Switching (IPS)	Wide Viewing Angle (WVA)/In-Plane Switching (IPS)
Luminance		<ul style="list-style-type: none"> 250 Nits (typical) 200 Nits (minimum) 	<ul style="list-style-type: none"> 250 Nits (typical) 200 Nits (minimum)
Dimensions (Active area):			
	Height	287 mm (11.29 in.)	287 mm (11.29 in.)
	Width	489.3 mm (19.26 in.)	489.3 mm (19.26 in.)
	Diagonal	546.1 mm (21.5 in.)	546.1 mm (21.5 in.)
Native resolution		1920 x 1080	1920 x 1080
Megapixels		16.7 million colors	16.7 million colors
Color gamut		72% NTSC typical	72% NTSC typical
Pixels per inch (PPI)		102	102
Contrast ratio		1000:1:00	1000:1:00
Response time		<ul style="list-style-type: none"> 14 ms (typical) 25 ms (maximum) 	<ul style="list-style-type: none"> 14 ms (typical) 25 ms (maximum)
Refresh rate		60 Hz	60 Hz
Horizontal view angle		<ul style="list-style-type: none"> 170 +/-degrees (minimum) 178 +/-degrees (typical) 	<ul style="list-style-type: none"> 170 +/-degrees (minimum) 178 +/-degrees (typical)
Vertical view angle		<ul style="list-style-type: none"> 170 +/-degrees (minimum) 178 +/-degrees (typical) 	<ul style="list-style-type: none"> 170 +/-degrees (minimum) 178 +/-degrees (typical)
Pixel pitch		0.24 x 0.24 mm	0.24 x 0.24 mm
Power consumption (maximum)		14.7 W	14.7 W
Anti-glare vs glossy finish		Truelife	Anti-glare
Hardness level		7H	3H
Environmental		44.4% Post-Consumer Content (PCC) and no ocean-bound plastics	44.4% Post-Consumer Content (PCC) and no ocean-bound plastics

Video

Table 19. Integrated graphics specifications

Integrated graphics			
Controller	External display support	Memory size	Processor
Intel UHD 610 Graphics	DP++1.4/HCCP 2.3	Shared system memory	<ul style="list-style-type: none"> 10th Generation Intel Celeron G5900T 10th Generation Intel Pentium Gold G6400T
Intel UHD 630 Graphics	DP++1.4/HCCP 2.3	Shared system memory	10 th Generation Intel Core i3/i5 and Intel Pentium Gold G6500T

Computer environment

Airborne contaminant level: G1 as defined by ISA-S71.04-1985

Table 20. Computer environment

Description	Operating	Storage
Temperature range	10°C to 35°C (50°F to 95°F)	-40°C to 65°C (-40°F to 149°F)
Relative humidity (maximum)	20% to 80% (non-condensing)	5% to 95% (non-condensing)
Vibration (maximum)*	0.26 GRMS	1.37 GRMS
Shock (maximum)	40 G†	105 G†
Altitude (maximum)	0 m to 3048 m (0 ft to 10000 ft)	0 m to 10668 m (0 ft to 35000 ft)

* Measured using a random vibration spectrum that simulates user environment.

† Measured using a 2 ms half-sine pulse when the hard drive is in use.

Security

Table 21. Security

Security options
Kensington lock
Dell Lockable port cover (optional)
Chassis lock slot support
Noble Custom AIO Plate Lock (optional)
Supply chain tamper alerts
Chassis intrusion switch
Trusted Platform Module (Discrete TPM Enabled)
SafeBIOS including Dell Off-host BIOS Verification
BIOS Resilience
BIOS Recovery, and additional BIOS Controls

Table 21. Security (continued)

Security options
SafeID including Trusted Platform Module (TPM) 2.0
Self-Encrypting Drives (SED)
Smart card keyboard (FIPS)
D-Pedigree (Secure Supply Chain Functionality)
Dell wired mouse with fingerprinter reader

Data security

Table 22. Data security

Data security options
McAfee® Small Business Security 30 Day Free Trial
McAfee® Small Business Security 12-month subscription
McAfee® Small Business Security 36-month Subscription
SafeGuard and Response, which is powered by VMware Carbon Black and Secureworks
Next Generation Anti-virus (NGAV)
Endpoint Detection and Response (EDR)
Threat Detection and Response (TDR)
Managed Endpoint Detection and Response
Incident Management Retainer
Emergency Incident Response
SafeData

Environmental

Table 23. Environmental specifications

Feature	Values
Recyclable packaging	Yes
BFR/PVC—free chassis	No
Vertical orientation packaging support	Yes
Multi-Pack packaging	No
Energy-Efficient Power Supply	Standard
ENV0424 compliant	Yes

NOTE: Wood-based fiber packaging contains a minimum of 35% recycled content by total weight of wood-based fiber. Packaging that contains without wood-based fiber can be claimed as Not Applicable. The anticipated required criteria for EPEAT 2018.

Regulatory

Table 24. Regulatory

Regulatory compliance
EPEAT registered configurations available
ENERGY STAR compliant configurations available
TCO 8.0 certified configurations available
CEL
WEEE
Japan Energy Law
South Korea E-standby
South Korea Eco-label
EU RoHS
China RoHS

Accessories

Table 25. Accessories

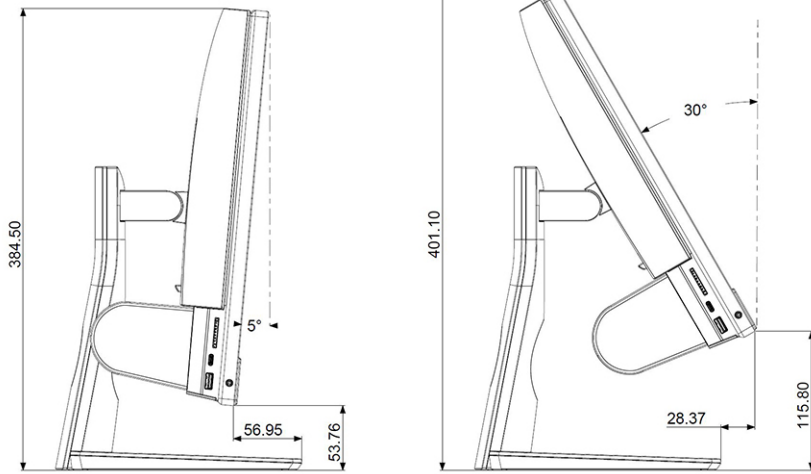
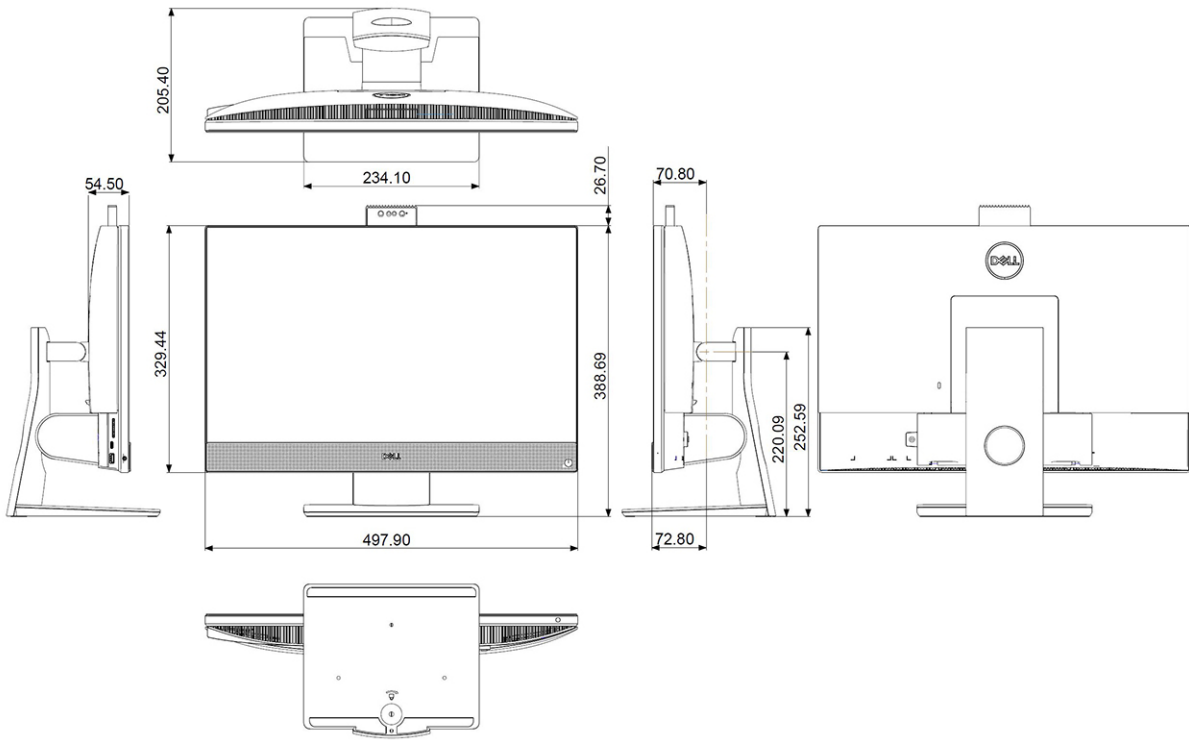
Accessories
Audio Optional external speakers, Dell Pro Stereo Headset UC350
Keyboard Dell wired keyboard, Dell wireless keyboard, Dell Smart Card keyboard
Mouse Dell wired mouse, Dell wireless mouse, Dell USB Laser mouse, Dell Fingerprint Reader mouse
Stylus Targus Stylus for Capacitive Touch Devices
Additional Monitor Qualified with select Dell UltraSharp, Professional, and E-series monitors
Locks Noble custom AIO Plate Lock, Dell Combination Lock LC300, Dell Premium Lock LP500, KensingtonTwin Head Lock, Dell Lockable Port Cover
Stands <ul style="list-style-type: none"> ● Fixed Stand ● Articulating Stand ● Height Adjustable Stand ● Height Adjustable Stand with Optical Disk Drive

OptiPlex 3280 All-in-One stands

Fixed stand

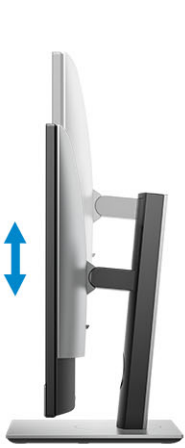


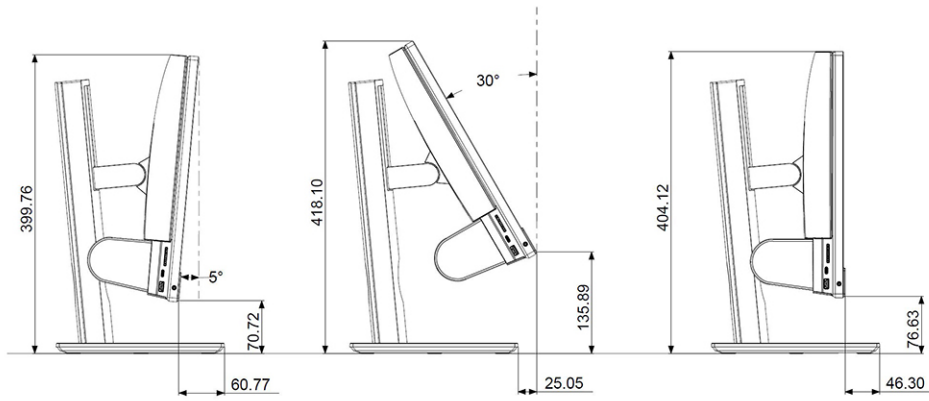
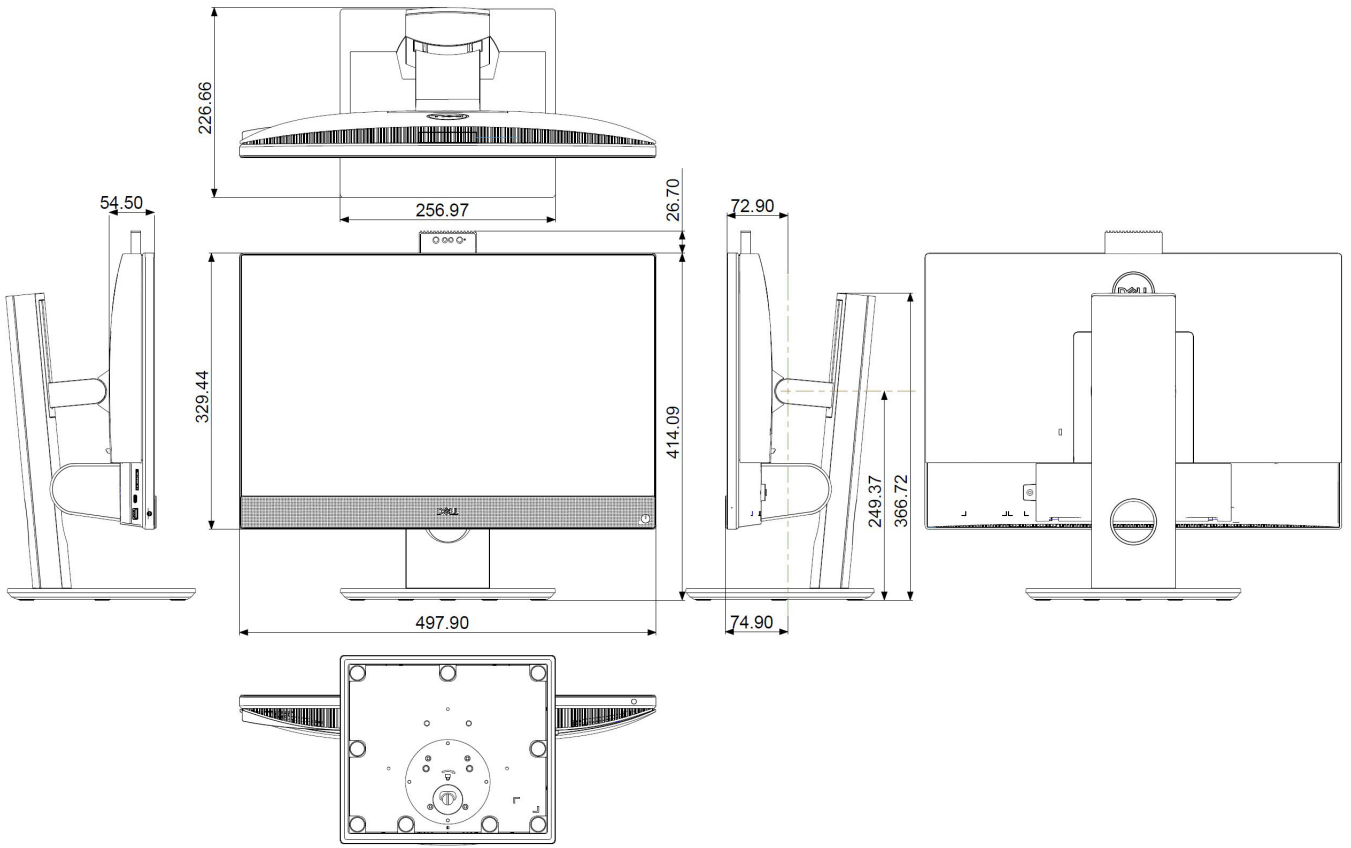


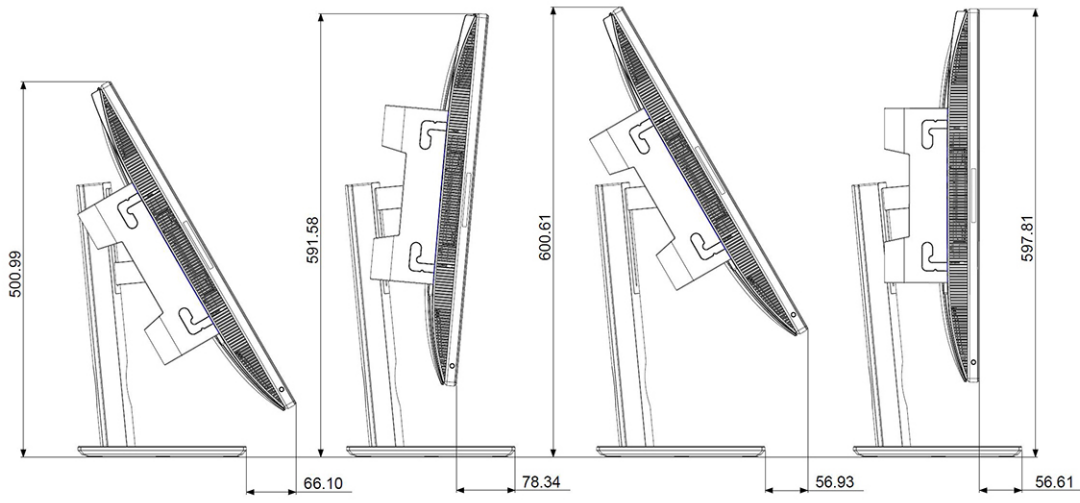


Height Adjustable Stand (HAS)



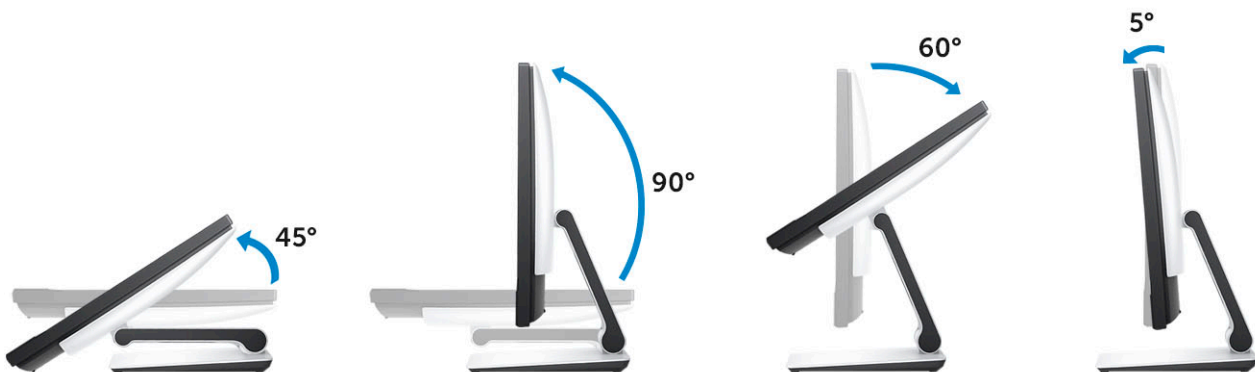


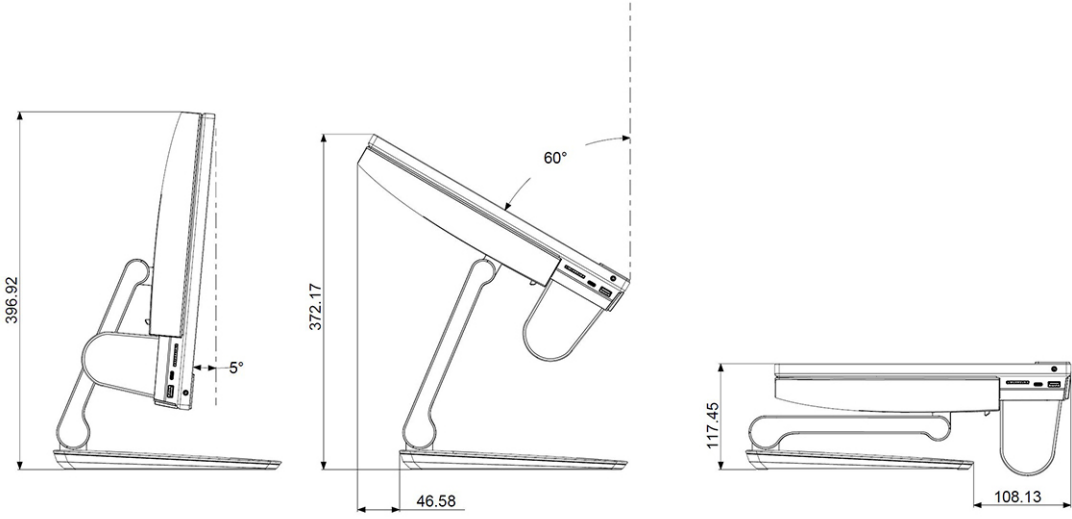
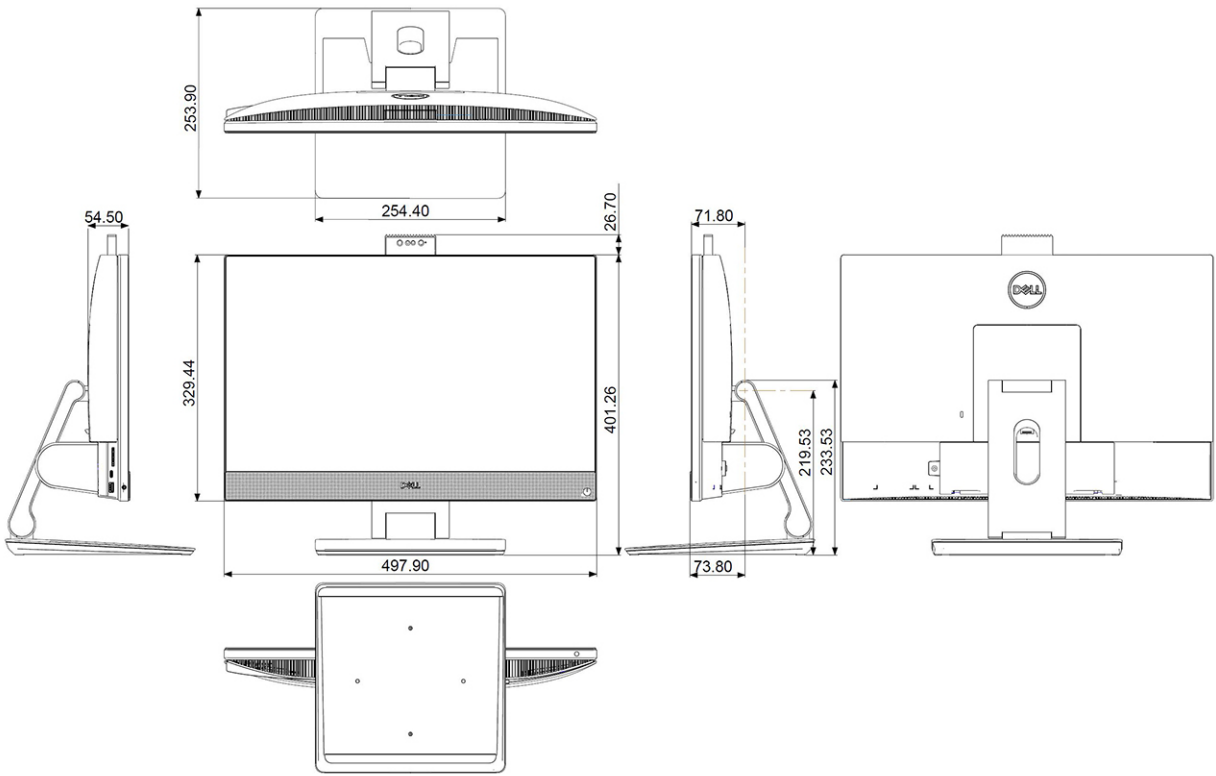




IMPALA SYSTEM ROTATE 90 DEGREE

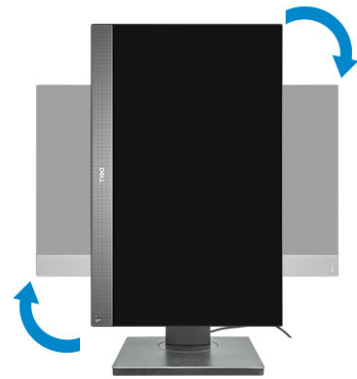
All-in-One Articulating stand

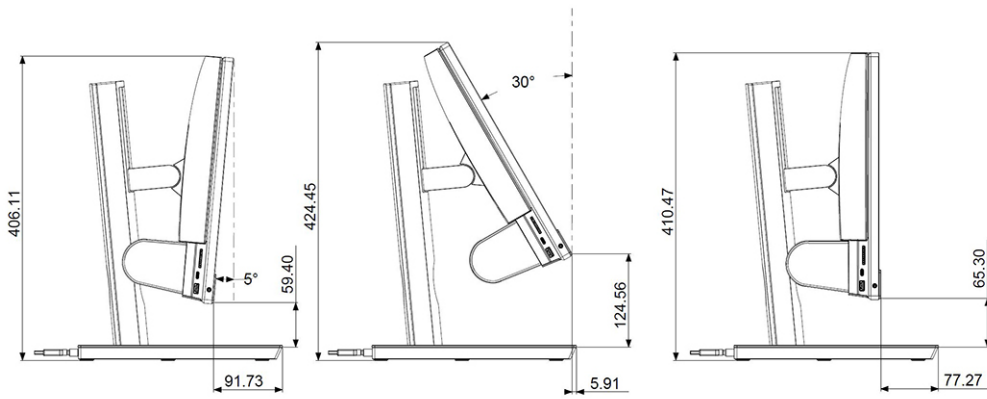
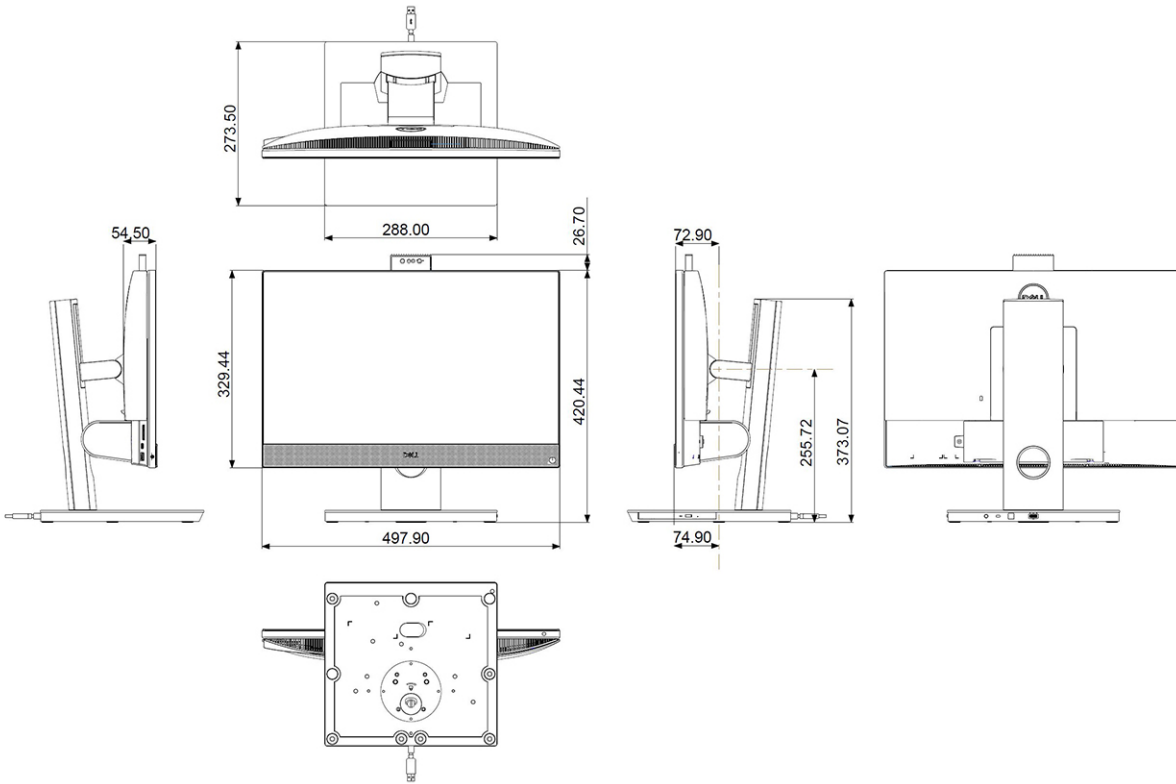


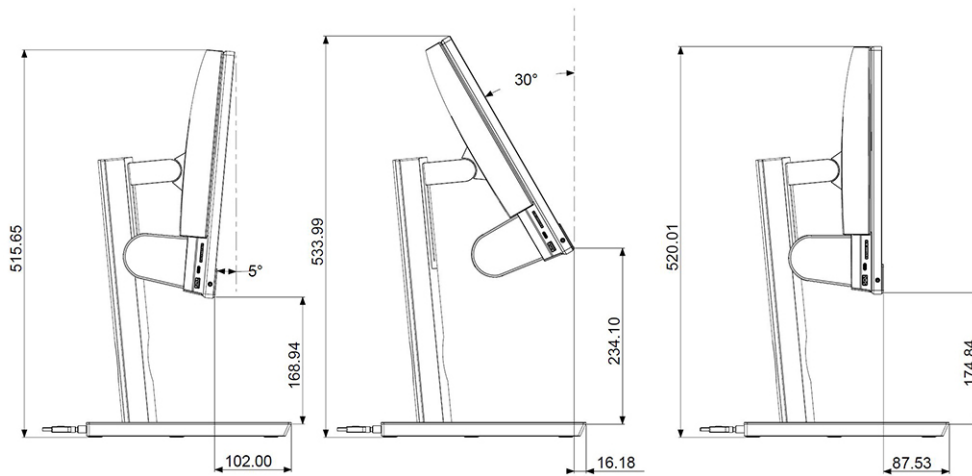


Height Adjustable Stand with Optical Disk Drive









Service and support

Table 26. Service and support


Warranty	Accidental Damage Service
1 Years Hardware Service with Onsite/In-Home Service after Remote Diagnosis, warranty extensions up to 5 years	Accidental Damage Service is available to complement certain warranty options Optional.
ProSupport with Next Business Day Onsite Service is available to complement certain warranty options.	
ProSupport Plus for Client is available to complement certain warranty options.	

Getting help and contacting Dell

Self-help resources


You can get information and help on Dell products and services using these self-help resources:


Table 27. Self-help resources

Self-help resources	Resource location
Information about Dell products and services	www.dell.com
Tips	
Contact Support	In Windows search, type <code>Contact Support</code> , and press Enter.
Online help for operating system	www.dell.com/support/windows www.dell.com/support/linux
Troubleshooting information, user manuals, setup instructions, product specifications, technical help blogs, drivers, software updates, and so on.	www.dell.com/support
Dell knowledge base articles for a variety of computer concerns.	<ol style="list-style-type: none"> 1. Go to https://www.dell.com/support/home/?app=knowledgebase. 2. Type the subject or keyword in the Search box. 3. Click Search to retrieve the related articles.

Contacting Dell

To contact Dell for sales, technical support, or customer service issues, see www.dell.com/contactdell.

 **NOTE:** Availability varies by country and product, and some services may not be available in your country.

 **NOTE:** If you do not have an active internet connection, you can find contact information on your purchase invoice, packing slip, bill, or Dell product catalog.