

Nuclias Connect Hub Plus

A compact, cost-effective solution that can manage up to 50 Nuclias Connect Access Points and 20 IP Cameras, most suited to locations where a dedicated PC or server might not be practical.

DNH-200

- D-Link's centralized management software-based solution, Nuclias Connect, allows total network management with ease.
- 1 x 10/100/1000 Mbps Ethernet Port
- Central management of up to 20 IP cameras and/or 50 access points
- Fully functioning integrated camera surveillance and wireless controller
- View up to 20 camera streams in live time at once
- SATA Port allows integration of an HDD (up to 5 TB) to store IP camera footage and log for later review
- Single Sign On does away with multiple usernames and passwords. Log in one time to access all aspects of your network.



Nuclias Connect



Multi-Function Management for Network Devices and IP Cameras



Intuitive Interface



Multi-Tenant & Role-Based Administration



Supports H.264 and H.265¹ D-Link IP Cameras



Inexpensive Hardware Controller



Searchable Event Log and Change Log



Supports 4K Camera Resolutions



Traffic Reporting & Analytics



Authentication via Customizable Captive Portal, 802.1X and RADIUS Server, POP3, LDAP



Free-to-Download Management Software



Remote Config. & Batch Config.



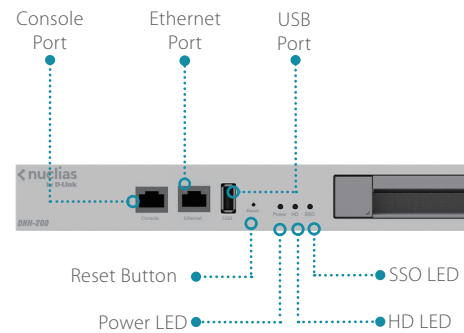
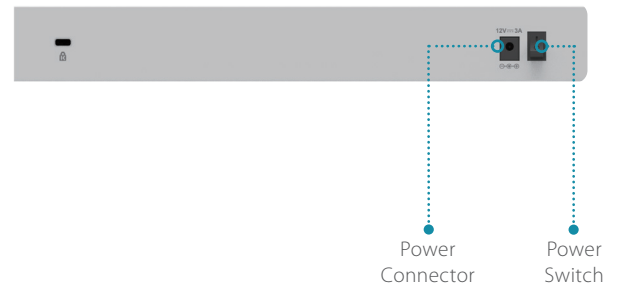
Payment Gateway (Paypal) Integration and Front-Desk Ticket Management

General

Size	19-inch, 1U rack-mountable
Interfaces	1 x 10/100/1000 BASE-TX ethernet port 1 x RJ45 Console Port 1 x USB 2.0 Port
LEDs	Power, HDD, SSO (Single Sign-On)
Cooling	Fanless

Functionality

Network Management	D-Link's Nuclias Connect Web (HTTPS) Telnet Secure Telnet (SSH)
Managed Devices	50 x access points (APs) 20 x IP cameras
Remote Clients	3 maximum concurrent remote clients, including browsers and mobile apps
Supported Cameras	Selected D-Link IP cameras
Live View/ Playback	Supports camera resolutions up to a maximum of 3840 x 2160
System Requirements for Web Interface ^{2,3}	Microsoft Edge, Google Chrome, Mozilla Firefox, Mac Safari
Recording Performance	Maximum recording bitrate: 90 Mbit/sec • Default high-quality stream: 1080P / 30 fps, 4 Mbit/sec per channel • Default low-quality stream: 360P / 15 fps, 512 Kbit/sec per channel
Camera Discovery	ONVIF WS-Discovery
Audio and Video Recording	Synchronized audio and video recording
Video Codec ¹	H.264, H.265
Audio Codec	AAC
Video Settings	Frame size (Resolution) Quality Bitrate Frame rate Enable audio Video profile selection
Remote Live View	Supported via browser and Nuclias Protect App
Live View Control	PTZ control Focus Full screen Auto scan Manual recording Audio enable/disable Audio volume OSD enable/disable
Playback Control	Normal Maximum 2x fast forward/rewind Forward/backward 15 sec OSD toggle Audio toggle Audio volume



Overwrite Recording	Auto recycling when disk storage is full
Video Export	MP4
System Time	Manual Input or sync with NTP server
System Status	IP Camera and AP device status System status HDD status
Network Service Protocols	IPv4/IPv6 dual stack DHCP client HTTPS server NTP server/client RTP/RTSP/RTCP SMTP client FTP client

Physical

Dimensions (W x L x H)	270 mm x 140 mm x 35 mm (10.6 in x 5.5 in x 1.4 in)
Weight	0.865 kg (1.907 lb)
Mounting Options	Standard 19" rack mounting
Power Input	12V / 3A, external power adapter
Max. Power Consumption	19 W
Operating Temperature	0° to 40°C (32° to 104°F)
Storage Temperature	-20° to 70°C (-4° to 158°F)
Operating Humidity	Maximum 90% (non-condensing)
Storage Humidity	Maximum 95% (non-condensing)
Mean Time Between Failure (MTBF)	>300,000 hrs
EMI	FCC Class A CE Class A RCM
Safety	LVD RoHS WEEE Directive

Software Features

IPv4/IPv6 Dual Stack	IPv4/IPv6 dual stack support
DHCP Client	DHCP support
D-Link DDP	D-Link Discovery Protocol v5
HTTPS Server	HTTPS server use for browser access
NTP Server/Client	NTP client and server use for time synchronization
RTP/RTSP/RTCP	RTP/RTSP/RTCP for streaming transmission and control
mDNS and DNS-SD	mDNS and DNS-SD support
SMTP Client	SMTP client support
FTP Client	FTP client support
Nuclias Connect SSO	Nuclias Connect single sign-on support
D-Link FOTA Service	Supports over-the-air firmware update
OSD	Supports UTF-8 text and video time stamps
Mobile App Support	Supports Nuclias Connect and Nuclias Protect mobile apps (iOS / Android)
File Format for HDD	Hard disk format and EXT4 file system features
Flash Drive Support	Flash drive format and FAT32 flash drive file system features
Overwrite Recording	Auto recycling recording when disk is full

File Export	1. Export video to MP4 format 2. Export image to JPG format
User Account Management	User account management, including account creation and deletion, and feature authorization for camera surveillance feature(s), e.g. live view, playback, etc
System Time Setting	Supports manual adjustment
System Status	Displays: 1. IP Camer and AP device status 2. System status 3. HDD status
Languages (Web UI)	English, French, Deutsch, Italian, Spanish, Korean, Japanese, Traditional Chinese, Simplified Chinese, Russian, Turkish
Motion Detection Area	Detection areas, cross lines for motion detection event(s)
Nuclias Connect SSO	Supports Nuclias Connect SSO: 1. Log in with Nuclias Connect SSO account 2. Supports Nuclias Connect and Nuclias Protect mobile apps for remote access 3. Supports Nuclias Connect Portal for remote access
FW Update	Upgrade firmware via USB port, browser or FOTA service
Recovery Mode	Supports recovery mode via USB port
Discovery	Supports D-Link DDP and mDNS to search DNH-200 device(s)
Camera Discovery	Supports ONVIF WS-Discovery to search IP camera(s)
Audio and Video Recording	Supports audio & video recording in synchronization
Video and Audio Setting	Supports audio & video configuration
Alarm Recording	Supports motion detection and digital input for event recording: Pre-alarm: 10 sec / per channel Post-alarm: 10 sec / per channel
HDD	2.5" SATA II/III hard disk slot (user-upgradeable, currently support minimum capacity is 128 GB and maximum capacity is 5 TB)
Recording Mode	Record by schedule, manual, always, and event-based recording Motion-triggered recording
Live View	Supports a maximum of concurrent 20 video channels Allows users to switch between high and low streams from 2 different video profiles
Playback	Supports a maximum of 20 concurrent video channels Allows users to switch between high and low streams from 2 different video profiles

1. DNH-200 can manage IP cameras compatible with H.265 and H.264 but does not provide any coding or decoding services for video streaming, live view, or playback. Video coding and decoding need to be processed via the operating system or the web browser.
2. Browser compatibility requirements are based on information available on the last updated date, and are subject to change. Before making any purchase decision, please ensure that you have the latest information.
3. Google Chrome, Mozilla Firefox browser don't support HEVC to decode H.265 videos, Microsoft Edge requires installation of HEVC extension to view H.265 videos. (fees may apply)