

AWL28-220BL1

SPECIFICATIONS

GENERAL

Min. weight	0 kg (per screen)
Max. weight	6 kg (per screen)

FUNCTIONALITY

Adjustment type	None
Lockable	Not lockable

INFORMATION

Color	Black
Main material	Plastic
Warranty	5 year
EAN code	8717371448554

*Please note: The inch sizes stated are just an indication, combined with the weight and VESA sizes. The maximum weight and VESA size are absolute restrictions for the products and should not be exceeded.

NEOMOUNTS MULTIMEDIA SHELF



Neomounts



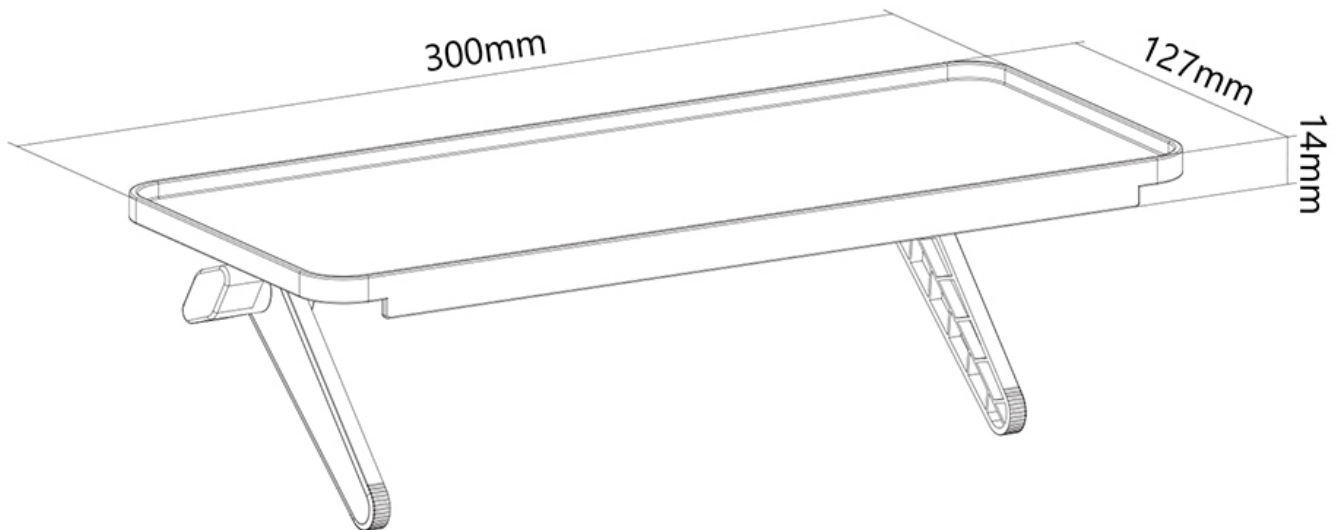
Neomounts

The Neomounts AWL28-220BL1 is a universal multimedia shelf with a width of 30 cm

The Neomounts AWL28-220BL1 is a universal multimedia shelf with a width of 30 cm and very useful as support for multimedia devices and accessories, like a webcam, media player or remote control. The shelf has safety ledges all around for safe and solid positioning of your devices. The AWL28-220BL1 is suitable for most TVs and can be locked into position using the convenient knob. The shelf is very easy to install; no tools are required.

AWL28-220BL1

NEOMOUNTS MULTIMEDIA SHELF



Neomounts