

# Haier

HRF-628A\*6

HRF-628I\*6

HRF-630A\*7

HRF-630I\*7

\*=S,T,CR,BB,W,N,GW,  
GB,GR,X,B,F or M

GB	Refrigerator User Guide	GB
D	Kühlschrank Bedienungsanleitung	D
F	Réfrigérateur Mode d'emploi	F
I	Frigorifero Guida per l'utente	I
E	Frigorífico Manual del usuario	E
NL	Koelvriescombinatie Handleiding	NL
PL	Lodówka Podręcznik użytkownika	PL
RO	Congelator Manual de utilizare	RO
CZ	Chladnička Uživatelská příručka	CZ
HU	Hűtőszekrény Felhasználói útmutató	HU
GR	ΨΥΓΕΙΟ ΟΔΗΓΙΕΣ ΧΡΗΣΗΣ	GR

---

## Before using the appliance for the first time

Intended use: This appliance is intended to be used in household and similar applications such as staff kitchen areas in shops, offices and other working environments; farm houses and by clients in hotels, motels and other residential type environments.

### Things to do...

Make sure that the plug is not trapped under the refrigerator. Hold the plug, not the cable, when unplugging the refrigerator. Take care not to roll over the power cord or damage it when moving the refrigerator away from the wall. Take care that the plug is not damaged, if it is, if possible switch off the power supply and carefully unplug it and consult an authorized service agent for replacement.

Make sure that there is no gas or other inflammable gas leaking in the vicinity of the refrigerator. In the case of this occurring, turn off the valve of the leaking gas; open doors and windows but do not plug or unplug the power cords of the refrigerator or any other appliance.

Unplug the refrigerator for cleaning or maintenance or because of lamp replacement.

Open the doors by the handle, caution the gap between the doors can be very narrow, so avoid trapping your fingers.

When unplugging the refrigerator allow at least 5 minutes before restarting, as frequent starting be damage the compressor.

Leave the ventilation openings free of obstruction.

When discarding the refrigerator, to avoid the accidental trapping of children, please remove the refrigerator doors, door seals and shelves and put them in an appropriate place.

The refrigerator should be placed in a well-ventilated place not far from a drink water source.

Ensure a space of at least 20 cm above and 10 cm around the refrigerator.

The appliance must be positioned so that the plug remains accessible.

### Things not to do...

The refrigerator is operated by a 220-240 VAC/50 Hz power supply. Plug the refrigerator to incorrect voltage, fluctuation may cause the refrigerator to fail to start, or damage to the temperature control, or the compressor, or there may be abnormal noise when the compressor is operating. In such a case, an automatic regulator should be mounted.

A dedicate socket with reliable grounding/earth must be provided for the refrigerator. The refrigerator's power cable is fitted with 3-cord (grounding/earth) plug that fits a standard 3-cord (grounded/earthed) socket. Never cut off or dismount the third pin (grounding/earth). After the refrigerator is installed, the plug should be accessible.

Never store inflammables, explosives or corrosive materials in the refrigerator.

Do not store medicines, bacteria or chemical agents in the refrigerator. This refrigerator is a household appliance. It is not recommended to place materials that require strict temperature.

Do not store or use gasoline or other inflammable materials in the vicinity of the refrigerator to avoid a fire.

Do not place unstable articles (heavy objects, containers filled with liquids) on the top of the refrigerator, to avoid personal injury caused by falling or electric shock caused by contact with water.

Do not swing from the door or bottle racks on the door. The door may be pulled away from vertical, the bottle rack, may be pulled away, or the refrigerator may topple.

Do not step on the freezer storage compartment door, shelves or cabinet when filling with or removing food and drinks.

Do not touch the inside surface of the freezer storage compartment when in operation, especially with wet hands as your hands may freeze onto the surface.

To ensure the refrigerator's electrical insulation, do not spray or flush the refrigerator with water when cleaning, nor place the refrigerator in a damp area or a location where it may be splashed with water. Clean and dry water splashes and stains with a soft clean cloth.

Disassembly and alteration of the refrigerator must be authorized. Any sharp or rough movement of the refrigerator may damage the cooling pipes. Property loss or personal injury may result.

Repair of the refrigerator must be performed by professional personnel.

Never store bottled beer or beverages in the freezer, as these will burst during freezing.

Do not place the refrigerator in direct sunlight or in a place where it is exposed to heat from stoves, heaters or other appliances.

Do not leave refrigerator's doors open without the presence of an adult, and not let children get in the refrigerator.

Do not let infants or children to climb into the freezer drawer.

Do not use electrical appliances inside the refrigerator, unless you are the type recommended by the manufacturer.

Do not damage the refrigerant circuit.

Do not use a hair dryer to dry the inside of the refrigerator. Do not place lighted candles in the refrigerator to remove odors.

Do not spray volatile materials such as insecticide on any surface of the appliance.

Open or close the refrigerator doors only when there are no children standing within the range of door movement.

This appliance can be used by children aged from 8 years and above and persons with reduced physical, sensory or mental capabilities or lack of experience and knowledge if they have been given supervision or instruction concerning use of the appliance in a safe way and understand the hazards involved. Children shall not play with the appliance. Cleaning and user maintenance shall not be made by children without supervision.

Do not store too much food in the freezer storage compartment to avoid longer operation time of the compressor or falling food.

It is recommended not to exceed the load line of the drawers. The total weight of the food should not exceed 30 kg. To prevent the food from falling on the ground, do not pull open the freezer drawer too strongly or at an angle.

Do not use mechanical devices or other means to accelerate the defrosting process, other than those recommended by the manufacturer.

In case of any problem with the light of refrigerator, please contact with our customer service department for handling, and users cannot replace it by themselves.

Please contact the service agent to dispose the appliance because the flammable blowing gas was used.

If the supply cord is damaged, it must be replaced by the manufacturer, its service agent or similarly qualified persons in order to avoid a hazard.

---

# Contents

GB

<b>1. Before You Start</b>	<b>1</b>	<b>5. Cleaning and Maintenance</b>	<b>19</b>
Safety	1	Defrosting	19
Refrigerant Gas Information	2	Cleaning	19
Caring for the Environment	2	Shutting Off the Refrigerator When Not in Use	19
<b>2. About Your Refrigerator</b>	<b>3</b>	Water Filter	19
About the Fresh Food Compartment	5	<b>6. Troubleshooting</b>	<b>20</b>
About the Freezer Compartment	6	<b>7. Technical Data</b>	<b>23</b>
The Icemaker/Water Dispenser	7		
Home bar	7		
Fridge-Freezer Operation	9		
Operating the Water and Ice Dispenser	12		
Safety	12		
Automatic Defrosting	12		
Alarm Function	12		
Display Power Down	12		
<b>3. Food Storage Tips</b>	<b>13</b>		
Tips on Storing Fresh Food	13		
Tips on Freezing Food	14		
<b>4. Installation</b>	<b>15</b>		
Positioning Your Appliance	15		
Removing and Installing the Doors	16		
Levelling the Fridge-freezer and Adjusting the Doors	17		
Fitting the Handles	17		
Electrical Supply Connection	17		
Water Supply Connection	18		

- Before start-up, be sure to read the User's Guide.
- Keep the User's Guide in a safe place.
- Keep ventilation openings, in the appliance enclosure or in the built-in structure, clear of obstruction.
- Do not use mechanical devices or other means to accelerate the defrosting process, other than those recommended by the manufacturer.
- Do not damage the refrigerant circuit.
- Do not use electrical appliances inside the food storage compartments of the appliance, unless they are of the type recommended by the manufacturer.
- Due to our policy of continual improvement, we reserve the right to change specifications without prior notice.

# 1. Before You Start

---

Thank you for buying this fridge freezer appliance. We hope that it provides a stylish and practical solution to your cooling needs. Please read this manual before using your new fridge freezer. Please keep this manual safe and pass it onto any new owner. We hope that this manual supplies all the information you require. If there is anything you are unsure of please contact us (see the Warranty section for Customer Care details).

- ▲ **WARNING!** This appliance must be earthed .
- ▲ Please leave the appliance to stand for at least six hours. This will allow the cooling system to settle following transportation.
- ▲ Always make sure a qualified person installs this appliance.
- ▲ The freezer compartment is rated at 4 stars.
- ▲ This appliance is designed for domestic use only. Using it for any other purpose could invalidate any warranty or liability claim.
- Before you plug the appliance into the mains, clean the inside of the appliance using warm water and bicarbonate of soda, then dry thoroughly.
- Check that no parts of the appliance are damaged, especially parts of the cooling system, pipes or leads. If damage has occurred, DO NOT install the appliance; you should contact a qualified service engineer or contact Customer Care.
- If the accessories inside the appliance have been disturbed during transit, reposition them in accordance with the instructions.
- Make sure that the electrical supply to your socket is correct for this appliance – the required power information is on the data label of the appliance. The data label is located inside the appliance (top of refrigerator compartment).
- Once the appliance is installed, cleaned dry, and has been allowed to stand following transportation, it is ready to be plugged in and switched on.

## Safety

- ▲ **WARNING!** Use drinking water only with this appliance.
- ▲ **WARNING!** Keep this appliance clear of any obstruction.
- ▲ **DO NOT** damage the refrigerant circuit. If it does become damaged, do not use the appliance.
- ▲ **WARNING!** DO NOT use mechanical devices (such as hair dryers) to defrost this appliance.
- ▲ **WARNING !** The water and ice pipework **MUST** be flushed through before use. Refer to the Icemaker/Water Dispenser section of this manual.

- When replacing old appliances, make sure that you have disabled any locking mechanisms before disposal – it may even be best to remove the appliance door completely to prevent children from becoming trapped inside the appliance.
- The appliance must be connected to the power supply safely. Loose connections, broken plugs and bare wires are a safety hazard. Make sure that all connections are sound.
- Before undertaking any routine maintenance or minor repairs, disconnect the appliance from the electrical supply. This includes cleaning and changing light bulbs.
- DO NOT touch cold surfaces of the appliance while it is in use as this will cause hands to stick to them leading to freezer burns.
- When moving the appliance take care not to damage the leads, pipes or condenser unit. Should these parts become damaged, contact a qualified service engineer.
- Effervescent liquids (fizzy drinks) should never be frozen. These liquids expand during freezing and this may lead to the bottles/containers shattering or exploding.
- Foods that are intended to be defrosted or cooked first, such as breads or meats, must not be eaten in their frozen state.
- If food looks or smells strange, do not attempt to eat it. If in doubt throw it away.
- Never use sharp, metal implements to scrape ice off the surface of this appliance. Only use implements, which are fit for this purpose (such as plastic scrapers) and use carefully to avoid damaging the lining of the appliance.
- The cooling system contains refrigerant and oils, all of which are harmful to health if leaked. Should leakage occur, disconnect the appliance and ventilate the room. Make sure that you do not get any coolant near to, or in, your eyes.  
Contact a service engineer or arrange to have the appliance removed.

## Electrical Safety

- Connections to the mains supply should be in accordance with local regulations.
- The plug **MUST** be accessible after the appliance has been positioned.
- Make sure that the refrigerator does not trap the electric cable.
- Do not step on the cable.
- Avoid damage to the electric cable when moving the refrigerator.

### **Damaged electrical cable**

If the electrical cable is damaged or worn, turn off the refrigerator and consult an authorised agent for replacement.

## Refrigerant Gas Information

**IMPORTANT:** This appliance is provided with refrigerant gas, ISOBUTHANE (R600a). When moving the appliance take care to ensure that it is not excessively struck or shaken. Failure to do so could damage the appliance.

Damage to the refrigerating circuit, with possible leaking of refrigerating gas, could create a risk of explosion caused by external sparks or flames.

### In the Event of Accidental Leakage

Allow the material to evaporate providing that adequate ventilation is provided.

### Behaviour of the Gas

This refrigerant gas is highly flammable so do not allow the gas to come into contact with hot surfaces or naked flames. Gas R600a is heavier than air: if released it forms a high concentration at floor level where ventilation is poor.

### First Aid

#### Inhalation

Take the exposed person from the polluted area and carry them to a warm, well ventilated place.

Long exposure can cause the onset of asphyxia and possible loss of consciousness. If necessary, practice artificial respiration, and in the most serious cases, administer oxygen under close medical supervision.

#### Skin contact

It is unlikely that occasional contact with the skin is dangerous. If this should happen thoroughly wash the affected zone.

Liquid splashes and atomised liquid can cause freezing burns. Wash the affected part with plenty of water and call a doctor to treat any burns.

#### Eye contact

Wash with plenty of water, with eyelids well open, and call a specialist doctor as soon as possible.

In any event, should you inhale or come into contact with R600a gas, we advise you to consult your own doctor.

## Caring for the Environment

### Disposing of Your Packaging

Your new refrigerator was protected by suitable packaging while on its way to you. All of the materials used are environmentally friendly for disposal and can be recycled. Please make a contribution to protecting the environment by disposing of the packaging appropriately.

### Disposing of Your Old Refrigerator



This symbol on the product or its packaging indicates that the product may not be treated as household waste. Instead it should be handed over your local community waste collection/ recycling centre.

Old appliances still have some residual value. An environmentally friendly method of disposal will ensure that valuable raw materials can be recovered and used again.

When an appliance has reached the end of its working life unplug it from the mains. Cut off the mains cable and dispose of it together with the plug.

Make the door unfit for use (by removing the seals) or remove the door so that children cannot accidentally lock themselves in.

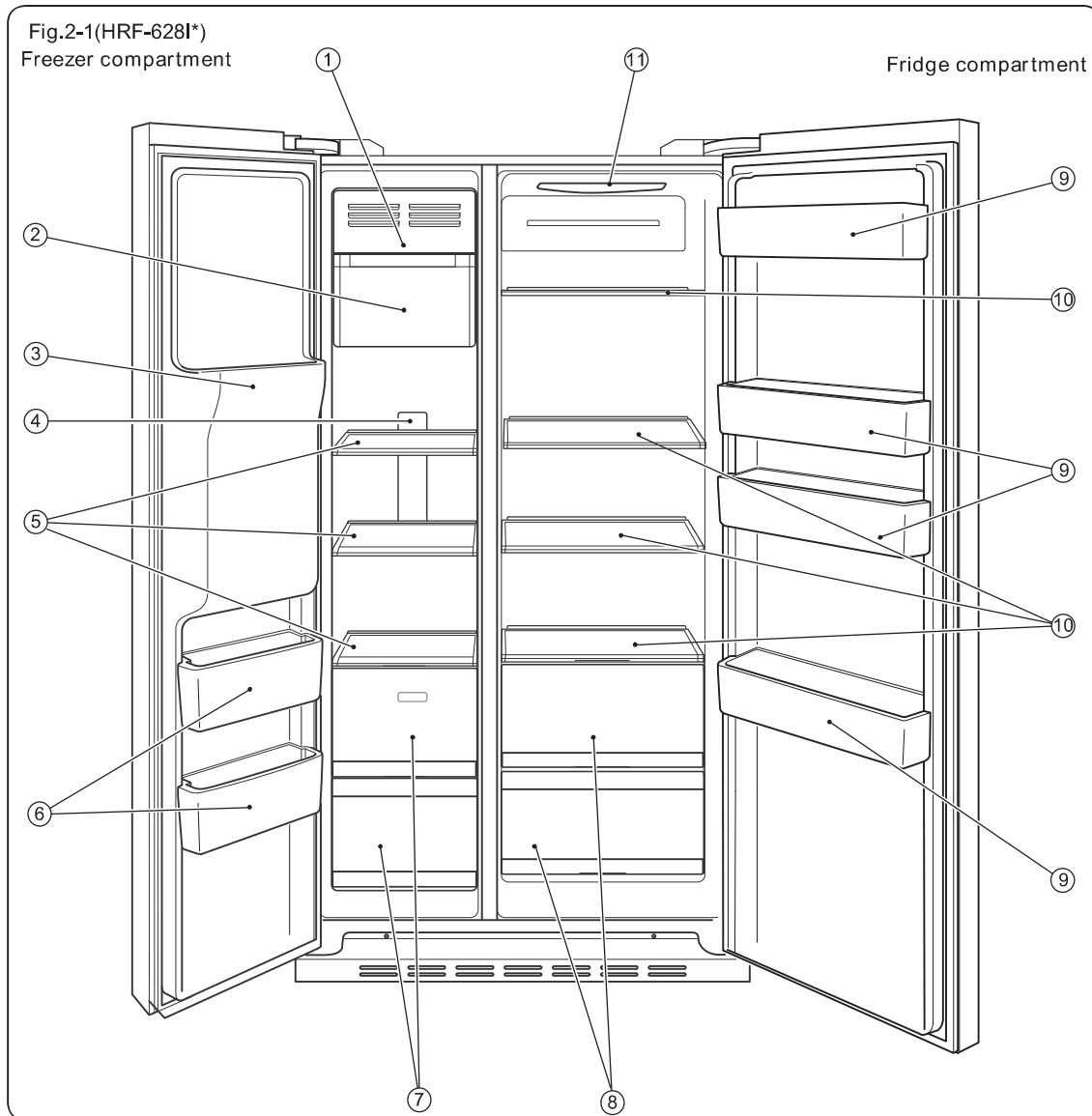
Cycloisopentane, a flammable substance not harmful to ozone, is used as an expander for the insulating foam.

When transporting the appliance, take care not to damage the cooling circuit.

By ensuring this product is disposed of correctly, you will help prevent potential negative consequences for the environment and human health, which could otherwise be caused.

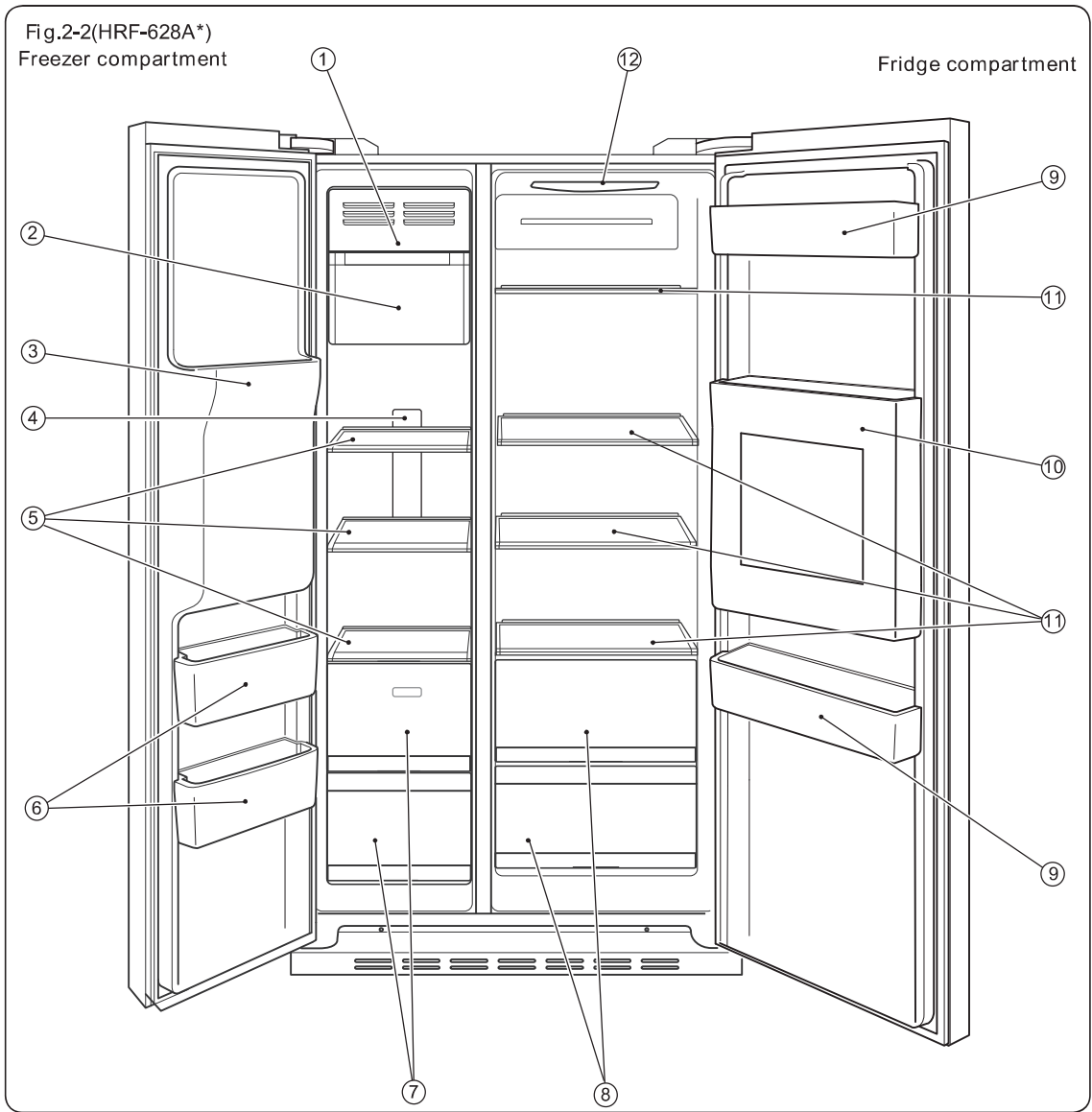
For more detailed information about recycling of this product, please contact your local council, your household waste disposal service or the shop where you purchased the product.

## 2. About Your Refrigerator



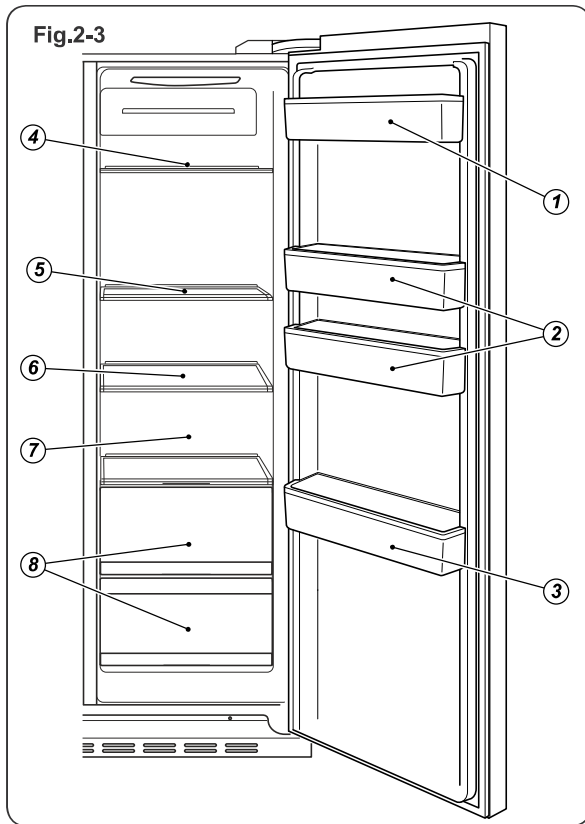
The HRF-628I\* (Fig.2-1) has the following features:

- |  |  |
|--|--|
| 1. Ice cream shelf                                     | 9. 4 fridge door bins                        |
| 2. Ice bin with ice maker (inside bin)                 | 10. 4 fridge storage shelves                 |
| 3. Water and ice dispenser                             | 11. Fridge LED light                         |
| 4. Freezer LED light                                   |  |
| 5. 3 freezer storage shelves                           | CFC free and frost free                      |
| 6. 2 freezer door bins                                 | Super-freeze, super-cool and holiday options |
| 7. 2 freezer drawers(HRF-628I*6)                       | Automatic temperature display                |
| 3 freezer drawers(HRF-630I*7)                          |  |
| 8. 2 crispers drawers(HRF-628I*6)                      |  |
| 1 moisturizing drawer & 2 crispers drawers(HRF-630I*7) |  |



The HRF-628A\* (Fig.2-2) has the following features:

- |  |   |
|--|---|
| <ul style="list-style-type: none"> <li>1. Ice cream shelf</li> <li>2. Ice bin with ice maker (inside bin)</li> <li>3. Water and ice dispenser</li> <li>4. Freezer LED light</li> <li>5. 3 freezer storage shelves</li> <li>6. 2 freezer door bins</li> <li>7. 2 freezer drawers(HRF-628A*6)<br/>3 freezer drawers(HRF-630A*7)</li> <li>8. 2 crisper drawers(HRF-628A*6)<br/>1 moisturizing drawer &amp; 2 crisper drawers(HRF-630A*7)</li> </ul> | <ul style="list-style-type: none"> <li>9. 2 fridge door bins</li> <li>10. Home bar inner cover</li> <li>11. 4 fridge storage shelves</li> <li>12. Fridge LED light</li> </ul> <p>CFC free and frost free<br/>Super-freeze, super-cool and holiday options<br/>Automatic temperature display</p> |
|--|---|



## About the Fresh Food Compartment

It is recommended to leave storage space between the foods for good cold air circulation. The temperatures in the refrigerator are slightly warmer near the top and colder near the base.

Foods that are likely to perish quickly should be placed towards the rear of the appliance – where it is coolest.

Suggestions for storage (Fig.2-3):

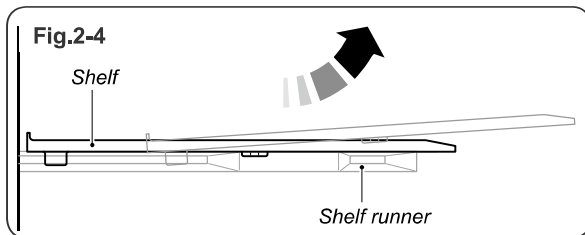
1. Eggs, butter, cheese, etc.
2. Tins, cans, condiments, etc.
3. Drinks and all kinds of bottled foods.
4. Pickled foods, drinks or cans.
5. Meat, poultry, fish and raw foods.
6. Flour foods, cans, dairy, etc.
7. Cooked meats, sausage, etc.
8. Fruits, vegetables or salads.

## Shelves

The height of the shelves can be adjusted to fit your storage needs.

The shelves will not pull out accidentally when you remove foodstuff from the appliance.

- ▲ **When adjusting the height of a shelf, first remove any food placed on the shelf.**



## Shelves

To remove the shelf, tilt the front upwards so that the restraining pegs are clear of the side guides (Fig.2-4) and pull towards you. Keep the shelf tilted to allow the retaining stops to clear the side guides.

When repositioning, make sure the shelf is pushed back fully and the retaining stops have located securely.

## The Light

The LED interior light comes on when the door is opened. The performance of the light is not affected by any of the appliances other settings.

## About the Freezer Compartment

The freezer compartment consists of 2 drawers, an ice cream shelf, 3 glass shelves and 2 bottle holders (Fig.2-5).

As with the fridge, certain areas of the freezer are better for storage of certain foods.

Ice creams and water ices are best stored the ice cream shelf or towards the rear of the appliance where it is coldest.

Large/heavier portions of food, such as meats joints for roasting are best stored in the drawers at the bottom of the appliance, while less weighty items should be stored on the shelves – this is to prevent damage to the appliance.

You should always make sure that food stored is suitable for freezing, and that you have stored it securely inside the appliance.

- ▲ Please keep the distance more than 10 mm between the food placed and the sensor to ensure the cooling effect.
- ▲ Please keep the lowest drawer when the refrigerator working in order to ensure the cooling effect.

## Shelves

To remove the shelf, tilt the front upwards so that the restraining pegs are clear of the side guides (Fig.2-6) and pull towards you. Keep the shelf tilted to allow the retaining stops to clear the side guides.

When repositioning, make sure the shelf is pushed back fully and the retaining stops have located securely.

## The Light

The LED interior lights comes on when the door is opened. The performance of the lights is not affected by any of the appliances other settings.

## Defrosting Food for Cooking

Should food become partially thawed or defrosted, it should be consumed as soon as possible as the quality will be affected by defrosting.

- ▲ Always make sure that food is thoroughly defrosted before cooking and no ice crystals remain. This is especially important for poultry, as this can be extremely harmful to health.

Always follow the defrosting instructions on packaging when defrosting ready meals – manufacturers' guidelines are always best, as some frozen foods should be cooked from frozen.

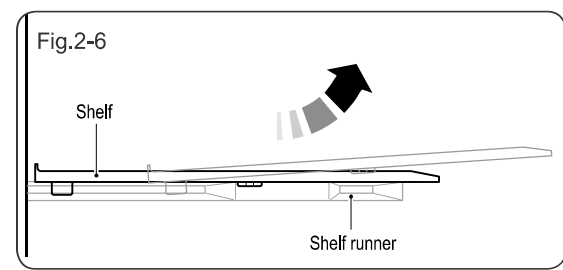
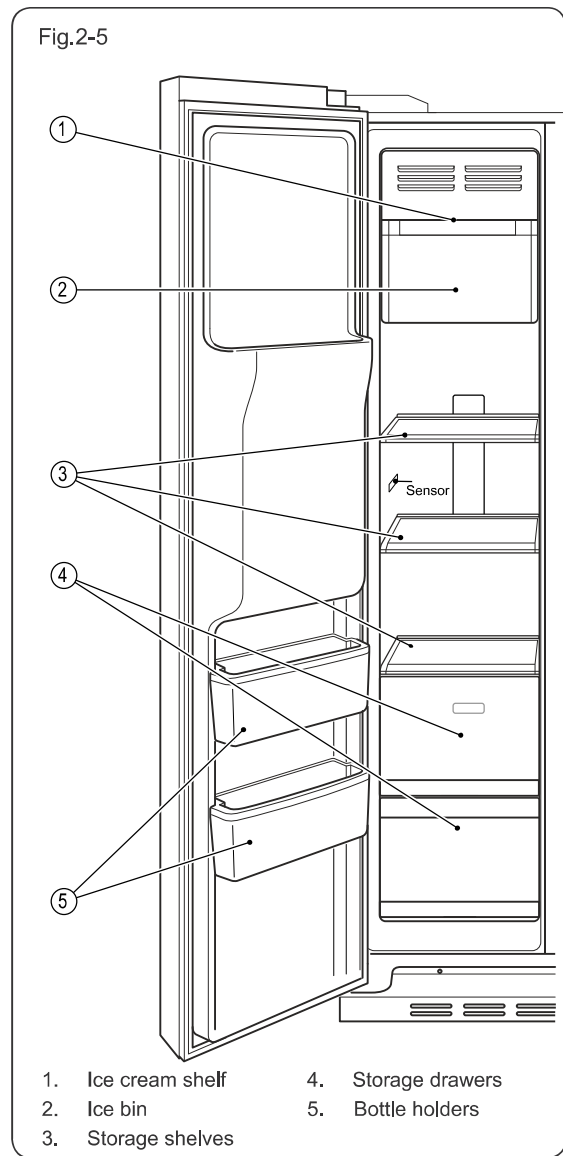


Fig.2-7

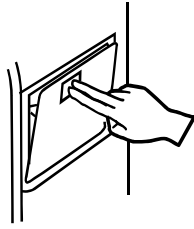


Fig.2-8

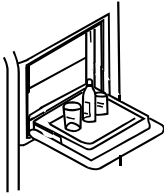


Fig.2-9

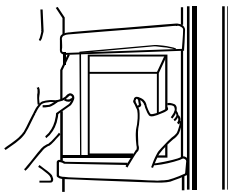
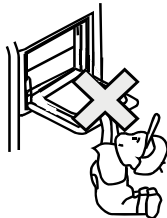


Fig.2-10



## The Icemaker/Water Dispenser

### Precautions

- NEVER expose the water pipe to temperatures below 0°C to avoid freezing.
- Test the tubing for leaks by flushing the tube through with water, until the water runs clear.
- After the appliance has been sited into the location of your choice, make sure that the water tube is arranged so it does not incur damage through bends and kinks and is clear of any heat sources.
- Once the temperature inside the freezer is at -12°C ice production will begin.
- DO NOT over use the icemaker. If you attempt to use the ice cube button too often it will go into a shut down mode. This is perfectly normal and requires you to wait for one hour before attempting to re-use it.
- DO NOT use delicate or fragile glassware.
- DO NOT touch the ice cube outlet with your hands, or any implements to avoid injury or damage.
- DO NOT manually add water – this is an automatic water system. If the ice maker is turned on but the appliance is not connected to water, the ice maker will not work.

### How the Icemaker Works

The ice making capacity is 1kg/24 hours (this figure is the test result in lab under the 32°C ambient temperature condition). During the daily use of the appliance, due to the different ambient temperature and water pressure, the ice making capacity may differ a little.

Do not store ice cubes, which are produced during the first batch of cubes following appliance start up, or after a prolonged break. Discard these cubes.

To allow the ice cube tray to fill to maximum capacity, you will need to manually arrange the ice cubes periodically.

Some ice cubes may stick together when dropped into the storage box – you will need to separate these to allow maximum use of the icebox.

## Home Bar

- To open the bar, press the compartment button (Fig.2-7). The bar compartment opens. The home bar can be used without opening the appliance door which saves energy. When the home bar is opened, the refrigerator light comes on.
- You can place drinks and other foods in the home bar (Fig.2-8).
- Do not remove the inner cover of the home bar (Fig.2-9). The home bar will not operate if the cover has been removed.
- Keep children away from the home bar (Fig.2-10). Otherwise children could be injured and the home bar damaged.

▲ Close the home bar as soon as possible to keep the cold inside the appliance. The warning system is activated if the door is not properly closed.

### First use of the Icemaker / Water Dispenser

- ⚠ **DO NOT consume the first seven (approx) glasses of water, as there may be dust and / or impurities within the water pipes.**

This will make sure that the pipes are cleared. If in doubt, keep re-using the dispenser until the water runs clear.

### Noises during Ice Making

The ice making process can be noisy. You may hear ice being dropped into the storage compartment. This is perfectly normal.

### Storing Ice for Extended Periods

Ice, which is stored for a long period of time, may go an opaque colour and have a strange odour. We recommend that you dispose of this ice, remove and clean the icebox. Allow the tray to dry thoroughly and cool down before replacing into the appliance to prevent ice from sticking.

### Preventing Ice from Being Made

If you do not require any ice over a prolonged period of time (i.e. during winter) you can switch off the valve between the water supply and the appliance. It is recommended that you clean the icebox, dry it carefully and replace it back into the appliance – this will prevent any odours being produced.

### Installing and Removing the Ice Cube Storage Drawer

To remove the icebox, lift the middle of the drawer and then pull it out, releasing the unit(Fig.2-11).

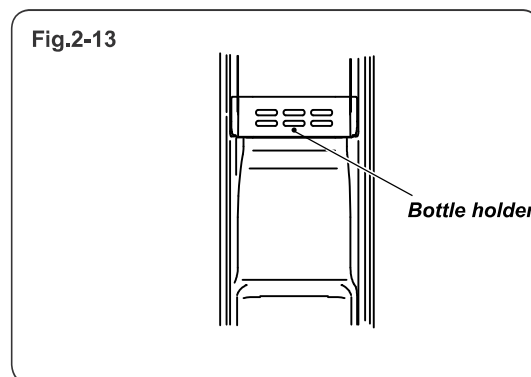
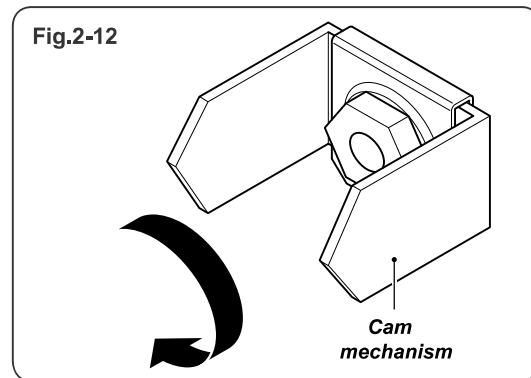
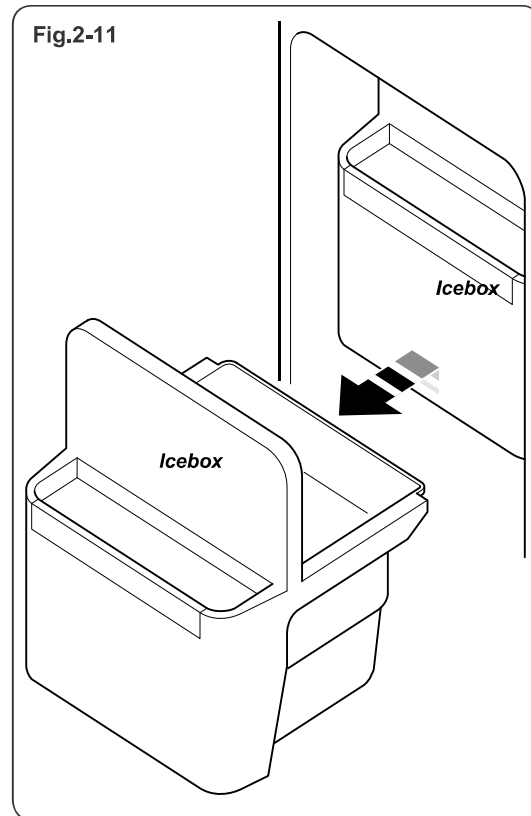
Note: Water moisture may have condensed and frozen the icebox in place.

If the icebox does not fit easily, remove it and turn the cam mechanism 90° clockwise(Fig.2-12). Reinstall the icebox, making sure that the catch on the tray fits into the shelf slot.

### If the Ice Maker does not Work Properly

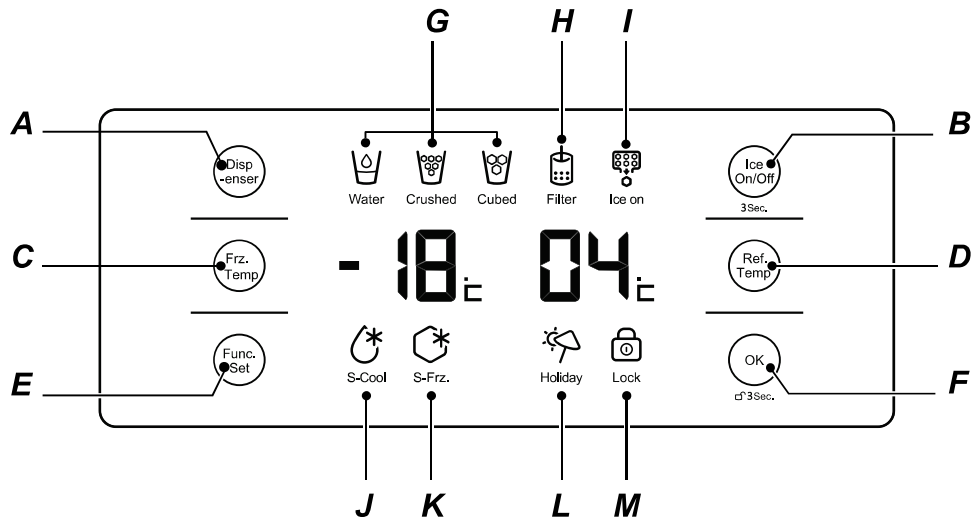
The volume of the icebox equals the quantity of ice cubes, which the appliance can make in one day. Occasionally small number of ice cubes may remain inside the box. If the ice gets stuck, this will result in abnormal operation of the ice cube maker. To avoid this problem, remove the icebox and rearrange the ice cubes, and remove the ice cubes which cannot be separated.

- ⚠ Always keep the ice cube outlet clean and clear of obstructions.
- ⚠ If you take out the icebox,you will get extra space for food storage,please install the additionally provided bottle holder at the position above the freezer door for easy food storage(Fig.2-13).



## Fridge-Freezer Operation

Fig.2-14



A – Dispenser selector button  
 B – Ice maker on/off button  
 C – Freezer temperature button  
 D – Fridge temperature button  
 E – Function selector button

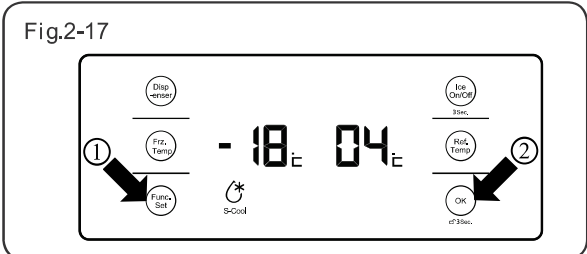
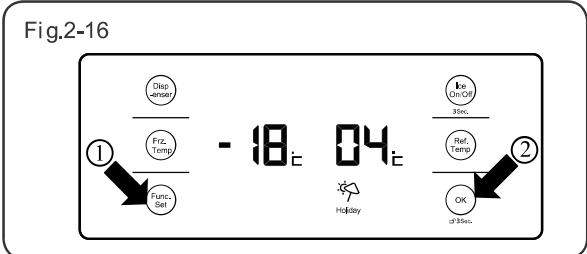
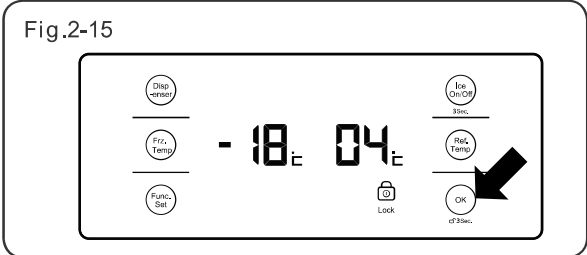
F – Function confirm button  
 G – dispenser status icon  
 H – Filter change status icon  
 I – Ice maker on status icon  
 J – Quick chill icon

K – Quick freezing icon  
 L – Holiday mode icon  
 M – Lock icon

The water and ice dispenser digital display and function buttons are shown in Fig.2-14.

**⚠ WARNING!**

You cannot adjust the appliance temperature settings under Quick Freeze mode or Lock mode. If you try to adjust the settings under these modes, the special function icon beside the freezer temperature display icon will blink, along with the beep sound to indicate that you cannot adjust the temperature at that time.



**Lock Mode**

This feature will lock the temperature and function settings. When locked, the lock icon will blink and a beep will sound.

**To lock**

Press and hold the 'OK' button for 3 seconds (Fig.2-15). The LOCK icon will switch on and the refrigerator will lock.

**To unlock**

Press and hold the 'OK' button for 3 seconds. The LOCK icon will switch off and the refrigerator will unlock.

**Holiday Mode**

**⚠ WARNING !** Before selecting Holiday Mode remove all food and drink from the fridge compartment as is maybe unsafe to eat or drink after a short period of time.

This feature allows you to leave the fridge section unused while the freezer section operate as normal. When in this mode, the fridge will be automatically set to 17 °C.

**To turn on**

1. Press the 'FUNC.SET' button until Holiday mode is selected (Fig.2-16).
2. Now press the 'OK' button: the HOLIDAY mode icon will turn on.

**To turn off**

1. Press the 'FUNC.SET' button until Holiday mode is selected.
2. Now press the 'OK' button: the HOLIDAY mode icon will turn off.

**Quick Cool Mode**

This function is to chill food quickly so that the food remains fresh for as long as possible. Use this feature before putting large quantities of food in to the fridge chamber at any one time.

The Quick Cool mode will turn off once it has reached the set temperature.

**To turn on**

1. Press the 'FUNC.SET' button until Quick Cool mode is selected (Fig.2-17).
2. Now press the 'OK' button: the S-COOL icon will turn on.

**To turn off**

1. Press the 'FUNC.SET' button until Quick Cool mode is selected.
2. Now press the 'OK' button: the S-COOL icon will turn off. Quick Cool mode is now turned off.

## Quick Freeze Mode

This function is designed to freeze food completely in the shortest possible time to maintain the nutrients within the food.

The Quick Freeze mode will turn off once it has reached the set temperature.

Use this feature before putting large quantities of food in to the freezer chamber at any one time. We recommend that you turn on the Quick Freeze mode 12 hours in advance, as this will lower the temperature in the freezer compartment before you place any food in it.

### To turn on

1. Press the 'FUNC.SET' button until Quick Freeze mode is selected (Fig.2-18).
2. Now press the 'OK' button: the S-Frz. icon will turn on.

### To turn off

1. Press the 'FUNC.SET' button until Quick Freeze mode is selected.
2. Now press the 'OK' button: the S-Frz. icon will turn off. Quick Freeze mode is now turned off.

## Adjusting the Fresh Food Temperature

Press the 'Ref. Temp' button (Fig.2-19). The fridge temperature display will start blinking, which means the fridge is in the temperature setting mode.

Press the 'Ref. Temp' button to scroll, in turn, through the fridge temperature range from 09 °C through to 01 °C.

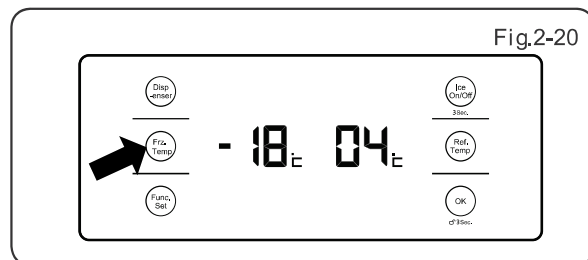
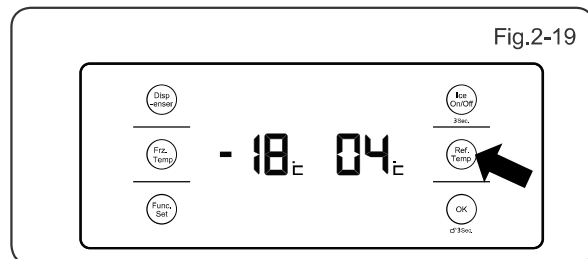
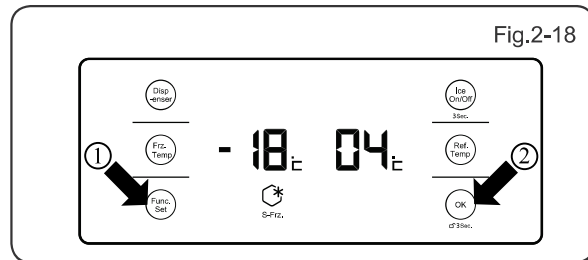
Without any further operation in 5 seconds, the blinking will stop and the temperature will be set. The temperature will also stay still at the time you press any other button during the blinking.

## Adjusting the Freezer Temperature

Press the 'Frz. Temp' button (Fig.2-20). The freezer temperature display will start blinking, which means the freezer section is in the temperature setting mode.

Press the 'Frz. Temp' button to scroll, in turn, through the freezer temperature range from -14 °C through to -24 °C.

Without any further operation in 5 seconds, the blinking will stop and the temperature will be set. The temperature will also stay still at the time you press any other button during the blinking.



## Operating the Water and Ice Dispenser

This fridge-freezer has three options available – cool water, crushed ice and cubed ice.

To avoid spillages, ALWAYS make sure that you hold your glass up to the dispenser before making your selection. We recommend using a 80 mm wide cup or larger when taking ice from the dispenser.

## Ice Maker On/Off Setting

When the fridge-freezer is first powered on, the ice maker defaults to off.

### To turn on

- Press the 'ICE MAKER ON/OFF' button for 3 seconds. The Ice Maker On icon will turn on and the ice maker will start working.

### To turn off

- Press the 'ICE MAKER ON/OFF' button for 3 seconds. The Ice Maker On icon will turn off and the ice maker will stop working.

**IMPORTANT:** Make sure that you empty the ice maker container before you turn off the ice maker, as the ice will melt into water.

## Cool Water Supply

1. Hold the glass to the dispenser.
2. Press the Dispenser Selector button to select cool water. The WATER icon will illuminate.
3. Slightly push the glass onto the lever switch and cool water will dispense into the glass.

## Crushed Ice Supply

1. Hold the glass to the dispenser.
2. Press the Dispenser Selector button to select crushed ice. The CRUSHED icon will illuminate.
3. Slightly push the glass onto the lever switch and crushed ice will dispense into the glass.

## Cubed Ice Supply

1. Hold the glass to the dispenser.
2. Press the Dispenser Selector button to select ice cubes. The CUBED icon will illuminate.
3. Slightly push the glass onto the lever switch and ice cubes will dispense into the glass.

## Changing The Water Filter

When the Filter Change Status Icon turn on, it is indicating that the water filter requires changing (approximately every 6 months). After finishing the change, press Function Selector button for 3 seconds, Filter Change Status Icon will disappear.

## Safety

- ▲ DO NOT use excessively deep, narrow, fragile or delicate glasses.
- Hold the glass as close as possible to dispenser to avoid spilling water, dropping ice or blockages in the ice cube dispenser.
- Five seconds after the final delivery of ice or water, the dispenser flap will close with a 'phutt' sound. Hold the glass still for a further 2-3 seconds (for ice), 1-2 seconds (for water) after you have filled your glass and released the lever switch as additional water or ice may be produced.
- Regularly clean the dispenser.
- To maintain water quality, the filter will need replacing from time to time. We recommend that the water filter is replaced every 6 months. However, if the water quality show signs of deterioration, either visually or in taste, then the filter should be changed sooner.
- Crushed ice may be dispensed instead of cubed ice if crushed ice was the last option selected.
- ▲ NEVER place canned drinks or foods inside the dispenser, as this will damage the crushing mechanism.
- ▲ DO NOT touch the dispenser, or remove the icemaker cover to prevent accidental injury or damage to the appliance.
- First supply of water (seven glass approx) and ice cubes (20 pieces approx) should not be consumed after initial start up or following a lengthy break in use. Dispose of these accordingly.
- Do not place ice cubes, which have not been produced by the icemaker into the storage drawer to prevent damage to the mechanism.
- Insufficient water supply may lead to small ice cubes. Excessive water supply may lead to larger cubes, which may stick together, cause leaks and block the dispenser. You should adjust the tap or contact a service engineer.

## Automatic Defrosting

There is no need to defrost the refrigerator as this appliance has automatic defrost.

- ▲ DO NOT use mechanical devices to accelerate the defrosting process – unless they are of a type recommended by the manufacturer.

## Alarm Function

If you leave a door open for a long time or close a door inappropriately, the fridge-freezer will beep at regular intervals, to remind you to close the door properly.

## Display Power Down

After 30 seconds the digital display will switch off until the fridge-freezer is used again.

### 3. Food Storage Tips

---

#### Tips on Storing Fresh Food

- Keep your fridge temperature below 5°C.
  - 'Best before' and 'use by' dates. Food with a "use by" date goes off quite quickly. It can be dangerous to eat after this date. Food with a "best before" date is longer-lasting. It should be safe to eat but may not be at its best quality after this date.
  - Make sure that food that have been cooked and require chilling, are at room temperature before placing them into the fridge freezer. Make sure that these foods are stored in suitable containers.
  - Foods stored in the refrigerator should be washed and dried before storing.
  - Some food are best left wrapped in the manufactures original packaging when put in the refrigerator. If unwrapped, it is recommended that the food should be re-wrapped, so that the water cannot evaporate. Some fruit and vegetables keep fresher and food smells will not mix if wrapped.
  - Stored foods can be marked in bags or containers.
  - Foods eaten daily should be stored at the front of the shelf.
  - Make sure that food is stored systematically (raw meats with raw meats, dairy with dairy) to avoid flavour transfer and cross contamination. Raw meats should be stored at the bottom of the fridge to prevent the possibility of it dripping onto uncooked food. Other foods should be stored above raw meat.
  - When storing food in the fresh food section always make sure there is adequate space for airflow circulation. This helps to maintain the shelf life of the food.
  - When storing food in the refrigerator make sure that foods are not too close to the rear wall to avoid the risk of freezing.
  - It is suggested for radishes and other root vegetables to trim the leaves. This keeps the nutrition in the root and not absorbed by the leaves.
  - Put frozen foods into the fresh food area to let them defrost. The low temperature of the refrigerator reduces the formation of bacteria and extends food life.
  - Some foods like onions, garlic, bananas and root vegetables are better stored at room temperature than in the fridge.
  - Melon, pineapples and bananas can go directly into the freezer after preparing, for storage over a longer period.
  - Packaging fresh foods properly, using the correct temperature and taking into account food hygiene, will enhance the quality of fresh foods stored within this appliance.
  - Use plastic bags, aluminium foil or other food wraps to cover fresh foods not in packaging to prevent flavour transfer and prevent contamination.
  - Before storing items in multi-packs (i.e. yoghurt) remove any excess packaging.
- ▲ NEVER store anything that is flammable, volatile or explosive inside the appliance.**
- Beverages with high alcohol content should be stored vertically in tightly sealed bottles.
  - Delicate foods should be stored in the coolest part of the appliance.
  - Try not to open the door too often.
  - Set the thermostat to make sure that foods remain suitably cold; try to avoid freezing within the fridge. Using a thermometer will help you to judge how cool the appliance is. Place it into a glass of water and leave it inside the appliance for several hours to get a reliable reading.
  - Some foods contain natural oils and acids (e.g. citric acid) which can damage plastics if spilled – make sure these foods are suitably contained.
  - Unpleasant odours inside the fridge are a sign that something has spilled and cleaning is required. Using warm water with bicarbonate of soda will clean the interior of the appliance and remove most spillages (see 'Cleaning and Maintenance').
  - Always remember to remove perishable foods from this appliance before taking prolonged trips of holidays.

## Tips on Freezing Food

- As with storing fresh foods, suitable packaging, correct temperature and food hygiene will enhance the quality of the food you are freezing.
  - Avoid putting hot foods into the freezer. First let them cool until they reach room temperature.
  - Make sure that all foods for freezing are of a high quality, and suitable for freezing.
  - Use packaging material that is odourless and airtight (such as plastic bags) to store food in so different foods can be mixed without affecting the quality. Make sure that it is airtight. Leaking packaging will dehydrate the products and lead to loss of beneficial vitamins.
  - Keep the surface of the packaging dry – this keeps the packs from freezing together.
  - Mark packages with the kind of food contained and the date of storage.
  - Food needs to be frozen quickly, so it is best to freeze small portions whenever possible and ensure that they are as cold as possible before storage. The recommended maximum weight for each portion is 2.5 kg.
  - Keep food which is fresh away from food which is already frozen, if you need to freeze fresh food every day, make sure that it is in small portions to prevent this.
  - Do not exceed the maximum load for freezing – which is given as 10 kg / 24-hours (see data badge for details).
  - Write the expiry date and food names on the outside of the packaging so you can be assured of the food type and when it is safe to eat.
  - Take food from the freezer to defrost when needed. Defrosted food cannot be refrozen unless it is cooked.
  - Do not put too much fresh food into the freezer at once. This could go beyond the freezer's cooling capacity (see 'Technical Data').
- When storing commercially frozen foods, please follow these guidelines:
    - Always follow manufacturers' guidelines for the length of time you should store food for. Do not exceed these guidelines!
    - Try to keep the length of time between purchase and storage as short as possible to preserve food quality.
    - Buy frozen foods, which have been stored at a temperature of  $-18^{\circ}\text{C}$  or below.
    - Avoid buying food which has ice or frost on the packaging – This indicates that the products might have been partially defrosted and refrozen at some point – temperature rises affect the quality of food.
    - Should there be a power cut, or the fridge / freezer fail for any length of time, for more than 5 hours, you may need to remove food from the freezer and if possible store in another working freezer or a cold, hygienic place (i.e. garage or out house area) until the power is restored, or the appliance is repaired. To prevent undue temperature rise you should store the food in a cool box or wrap the food in layers of insulating material, such as newspaper, to help to maintain the temperature.  
It is important that any food that defrosts should be either consumed, or cooked and refrozen (where suitable) soon afterwards in order to prevent health risks.

## 4. Installation

### Positioning Your Appliance

#### Choosing the Right Location

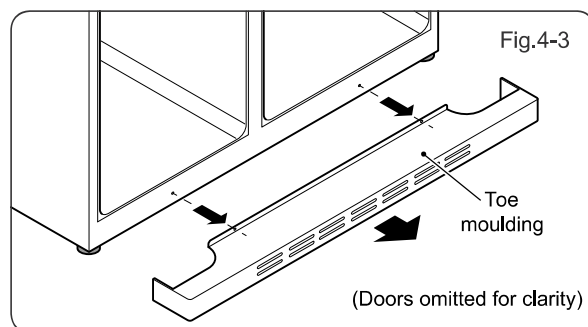
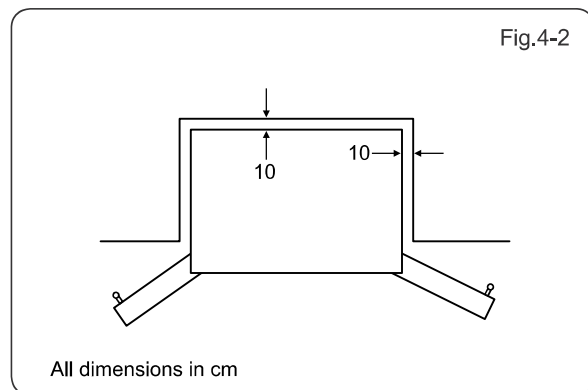
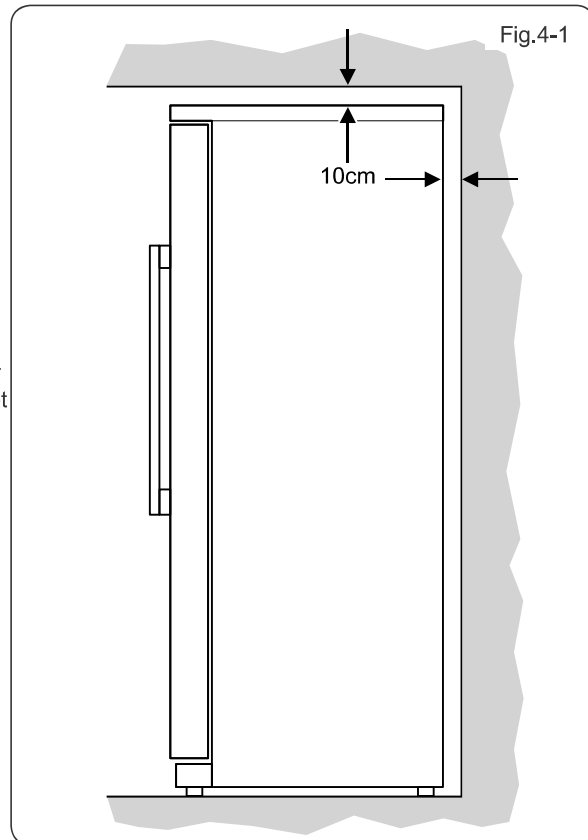
This appliance should be installed in a room that is dry and well ventilated. To provide adequate ventilation, make sure the refrigerator is at least 10 cm clear on all sides from kitchen cabinetry (Fig.4-1). Any units placed above the appliance must be clear by 10 cm to allow sufficient ventilation.

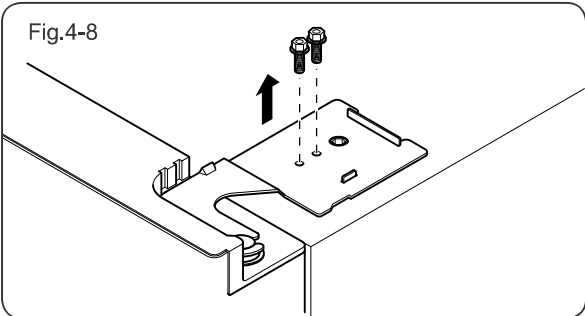
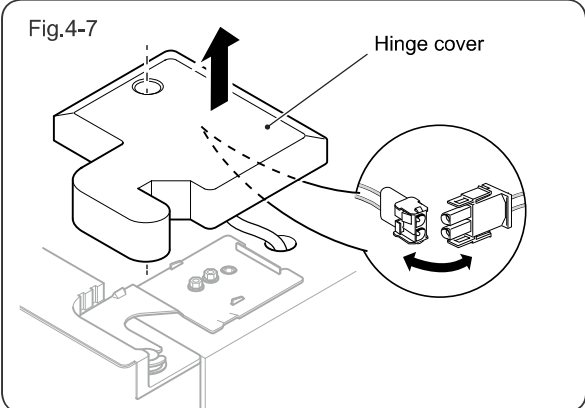
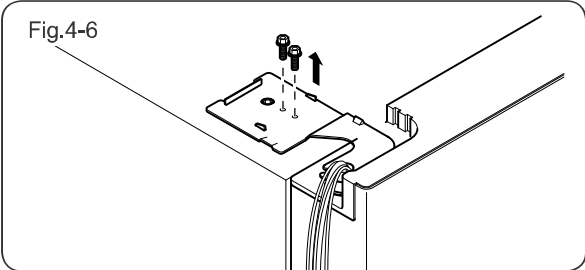
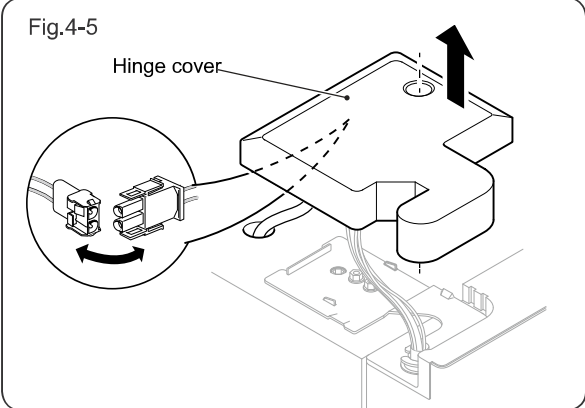
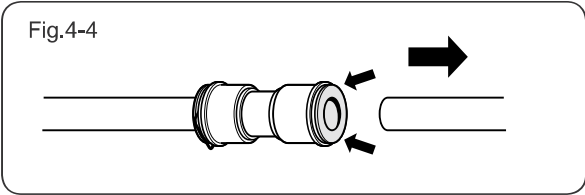
If locating the refrigerator close to a corner, sufficient spacing must be left for opening the doors and removing the shelves (Fig.4-2).

This appliance should be at least 100mm from any electric or gas cooker and 300mm from any coal or oil stove. If this is not possible, make sure that appropriate insulation is used.

Avoid exposing the appliance to direct sunlight, and sources of heat (such as radiators, heaters or cookers).

If this appliance is situated in a cold environment (such as a shed, outhouse or garage) it will affect its performance. You may find that the performance of the appliance is not consistent and this may damage foods. A consistent ambient temperature of 10°C or above is recommended.





**Removing and Installing the Doors**

- ▲ In the event that you need to remove the refrigerator doors, please follow the door removal and installation instructions below.
- ▲ It is suggested, for your safety, to have two or more people to assist you in completing the below task to avoid injury, product damage or property loss.

Unscrew the 2 screws holding the toe moulding in position and remove(Fig.4-3).

Release the water coupler: press and hold in the collar as shown (Fig.4-4) and remove the water pipe.

Remove the top cap.

**The Freezer Door**

1. Undo the hinge cover screw and remove the cover (Fig.4-5). Disconnect all wires except for the grounding wire.
2. Undo the screws holding the upper hinge in position and then remove the hinge(Fig.4-6).
3. Lift the freezer compartment door to remove it. Next, lift the door enough to be able fully pull the water line out from the bottom.

**The Fridge Door**

1. Undo the hinge cover screws and remove the cover (Fig.4-7). Disconnect all wires except for the grounding wire.
2. Undo the screws holding the upper hinge in position and then remove the hinge(Fig.4-8).
3. Lift the refrigerator compartment door to remove it.

**Refitting the Door**

Refit the doors by reversing the removal steps.

## Levelling the Fridge-freezer and Adjusting the Doors

Make sure that the appliance is on solid level flooring. If the refrigerator is placed on a plinth, flat, strong and fire resistant materials must be used.

This appliance has front adjustable feet, which can be used to level the appliance.

Insert a suitable flat screwdriver into the slots of the adjustable feet. Turn the screwdriver clockwise to raise the feet (Fig.4-9), and counter-clockwise to lower the feet (Fig.4-10).

## Levelling the Doors

The doors may require some alignment before connecting the fridge-freezer to the electrical supply. This can be done by adjusting the levelling feet (Fig.4-9 and Fig.4-10).

To raise the left-hand door turn the left-hand foot clockwise until it is level (Fig.4-11).

To raise the right-hand door, turn the right-hand foot clockwise until it is level.

## Fitting the Handles

The door handles fix onto the mounting studs already fitted to each door (Fig.4-12).

1. Install the handle firmly over the mounting studs.
2. Using the Allen key, tighten the pin screw fixing the handle on the door.

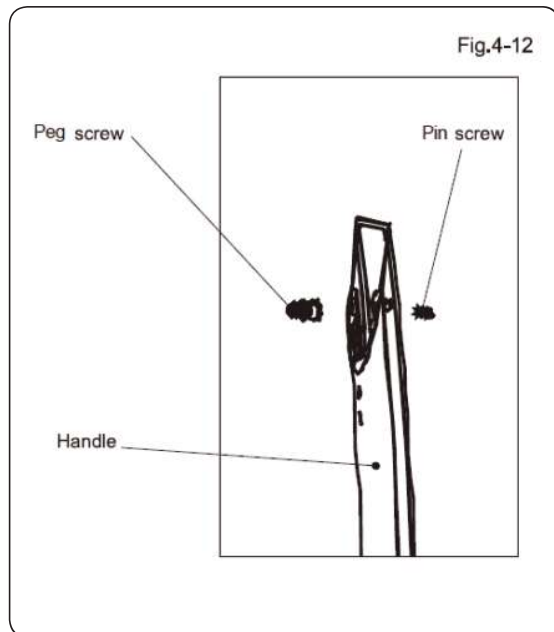
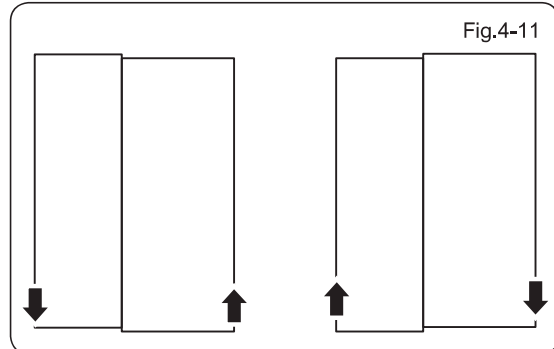
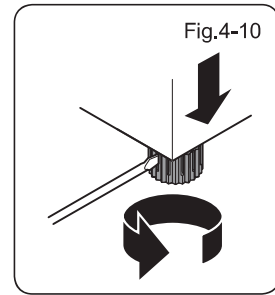
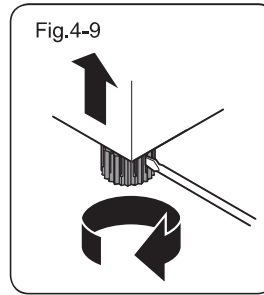
Do not over-tighten the pin screw.

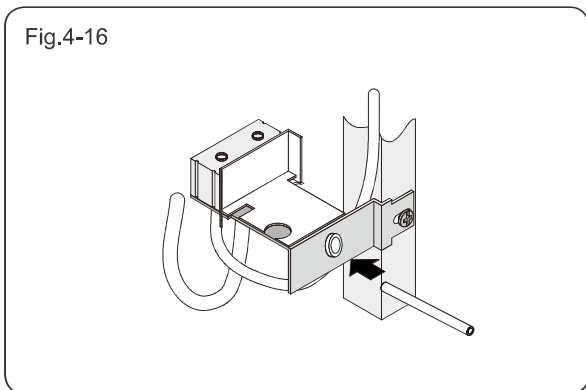
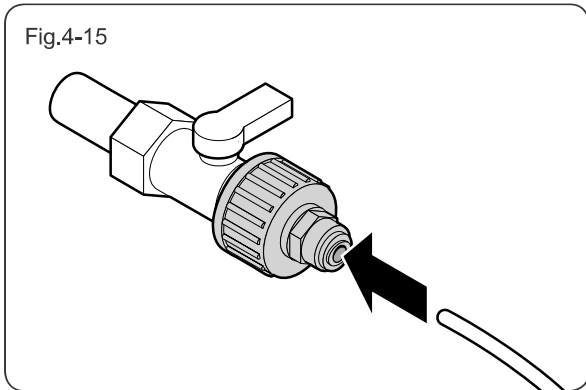
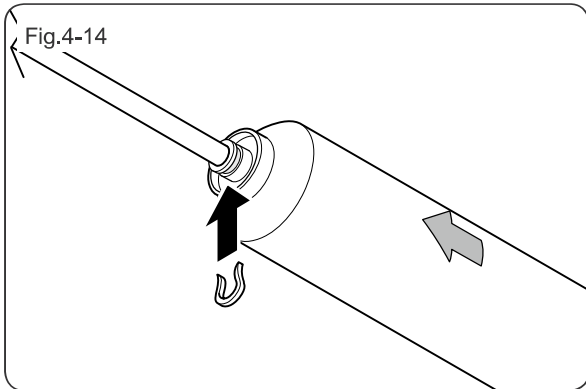
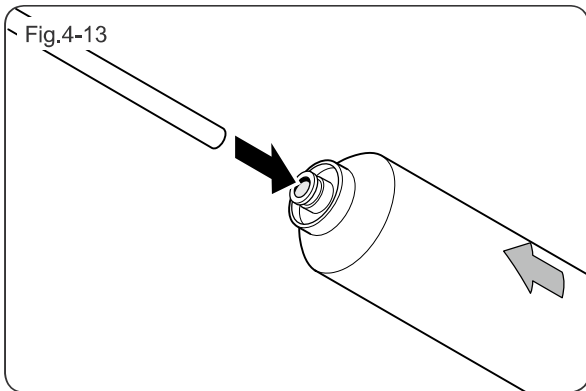
## Electrical Supply Connection

Connect the appliance to the electrical supply (220-240 V ~ 50Hz) with the plug and lead, which are fitted.

Connections to the mains supply should be in accordance with local regulations.

- ▲ The appliance must be plugged into an earthed socket.
- ▲ Always make sure that the plug is accessible after the appliance has been positioned.





## Water Supply Connection

- ⚠ It is recommended to have this product installed by a qualified technician.

Note: For further installation details refer to the instructions supplied with the water filter.

- Pressure of the cold water supplied to the automatic icemaker is between 0.15-0.6 Mpa.
- The water tube should be of an appropriate length, usually 8 metres, and should be free of bends after being inserted into place. If the water pipe is too long then the water pressure will be reduced, affecting the ice and cold water content.
- DO NOT connect to the water supply when the ambient temperature is below 0°C, otherwise the water pipe may freeze.
- Always connect to the drinking water supply.
- Keep the water pipe away from heat sources.
- The water filter is there to filter impurities in the water, and to make ice clean and hygienic. It cannot sterilise or destroy anything, so be certain to connect the water pipe to a drinkable water source.
- Automatic water system, do not manually add water.
- If the ice maker is turned on but the appliance is not connected to water, the ice maker will not work.

### Fitting the Water Filter

Measure out and cut the length of pipe required from the filter to the Fridge-freezer, and from the filter to the water supply. Make sure that you achieve a square cut using a sharp knife.

Push fit one of the pipes into the water filter (Fig.4-13).

Secure the pipe to the filter by sliding a locking clip into the groove as shown (Fig.4-14).

Repeat the procedure on the other end of the filter.

Connect the end into the plastic adaptor (Fig.4-15). Screw the adaptor onto a suitable 1/2" BSP connector water outlet.

Access the water valve assembly at the back of the refrigerator. Push the pipe into the valve assembly (Fig.4-16).

Open the water valve to flush the pipe, check leakage in the water pipe joints and allow the water to run until it is clear.

### Commissioning the Water Dispenser

Before first use, press the water dispenser pad several times for 1 minute. Do not press for more than 1 minute to prevent overheating of the pad activator solenoid. Cold water will begin to flow from the outlet.

## 5. Cleaning and Maintenance

---

### Defrosting

Defrosting is done automatically so there is no need to manually defrost this appliance.

- ⚠ DO NOT use mechanical devices to accelerate the defrosting process.

### Cleaning

- ⚠ Disconnect the appliance from the power supply before cleaning.

To keep internal odours to a minimum it is best to periodically clean the inside shelves, crispers, bins and wall.

Empty the appliance of food and remove the shelves.

Clean the interior using warm water and bicarbonate of soda with a soft cloth. Make sure that the interior is then dried carefully with a suitable cloth.

- ⚠ DO NOT use harsh abrasives, or aggressive cleaners as these can damage the interior of the appliance.

Shelves and other accessories (plastic and glass parts) can be cleaned in the sink using liquid dishwashing liquid and warm water. Make sure all soap is rinsed off and all parts are dry before replacing them inside the appliance.

Always keep the door seals clean.

- ⚠ The fridge is heavy. When moving the refrigerator be careful to protect the floor. Keep the refrigerator vertical and do not tilt the refrigerator – this prevents damage to the floor.
- ⚠ DO NOT spray or rinse the fridge with water or other liquids. This could harm the electrical parts.
- ⚠ Use a dry cloth when cleaning near the electrical parts (such as the light or switch).
- ⚠ DO NOT clean the fridge with a stiff or wire brush.
- ⚠ DO NOT use an organic solvent such as detergent, petrol, lacquer, thinners, acetone or acid.
- ⚠ To prevent your skin sticking to cold steel parts, make sure your hands are not wet when touching the parts.
- ⚠ DO NOT use HOT water to clean the glass shelves, as they may break or crack.
- ⚠ After installing a new water filter, discard all ice produced during the first 24 hours.

### Shutting Off the Refrigerator

In the event of a power cut, food should remain safely cold for about 5 hours.

Should there be a prolonged power cut you may need to remove food from the freezer compartment and store it in a cold place, wrapped in layers of newspaper to preserve suitable temperatures.

Once power is restored replace the food back into the freezer compartment.

Should food begin to defrost, or the power cut last longer than expected, it is advised that you consume any food removed from the freezer.

If the power outage is short term, most foods can be left inside the freezer compartment – this is the best way of preserving temperature – and surrounded by ice cubes from the icebox. This is also an ideal solution for power outages you may have been pre-warned about.

When experiencing a power cut of any kind, do not add any extra foods to the freezer.

### When Not in Use

If you are not using the appliance for an extended length of time, it is recommended that you switch off the electrical supply, empty any food out, clean the inside of the appliance and leave the door ajar. This will save energy, and also prevent a build up of stale odours inside.

### Water Filter

To maintain water quality, the filter will need replacing from time to time. We recommend that the water filter is replaced every 6 months. However, if the water quality show signs of deterioration, either visually or in taste, then the filter should be changed sooner.

## 6. Troubleshooting

Before calling for service, please first read the following table: this could save you time and money.

Problem	Cause	Solution
<b>The temperature is too low</b>		
1.1 The temperature inside the freezer is too low, with the fresh food temperatures fine.	1.1.1 The temperature inside the freezer section is set too low.	1.1.1.1 Set the temperature in the freezer slightly higher then wait 24 hours for new balance to be achieved.
1.2 The temperature inside the fresh food compartment is too cold, while the freezer sections are fine.	1.2.1 The temperature inside the fresh food area is set too low.	1.2.1.1 Set the temperature inside the fresh food section slightly warmer. The temperatures will reach new balance within 24 hours.
1.3 The foods stored in the full width pantry are frozen.	1.3.1 The control setting in the fresh food area is set too cold.	1.3.1.1 Set the fresh food control setting slightly higher. The new set point temperature will reach a balance within 24 hours.
1.4 The foods stored in the crisper are frozen.	1.4.1 The settings for the fresh food compartment are too cold.	1.4.1.1 Raising the fresh food control settings to a slightly higher temperature and/or lowering the humidity control setting will prevent frost or ice forming.
1.5 Readings on the dispenser display are showing error codes.	1.5.1 An electronic operating problem has been encountered.	1.5.1.1 Call your service engineer who can diagnose the problem and make correction.
<b>The temperature is too high</b>		
2.1 The freezer drawer sections or fresh food compartment temperatures are too high.	2.1.1 The doors are opened frequently or for too long each time.	2.1.1.1 Try to reduce the frequency of opening doors.
	2.1.2 The doors are left open.	2.1.2.1 Take extra care to keep gaskets sealing well around the perimeter of the doors. Keep gaskets clean and dirt free.
2.2 The temperature is too warm in the freezer but okay in the fresh food section.	2.2.1 The temperature setting in the freezer is set too warm.	2.2.1.1 Set the temperature colder for the freezer section. Then allow it to balance within 24 hours at new colder temperature.
2.3 The temperature is too warm in the fresh food section but okay in the freezer.	2.3.1 The temperature setting in the fresh food section is set too warm.	2.3.1.1 Set the food temperature control slightly colder. The new colder temperature can be achieved within 24 hours.
2.4 The temperature inside the crisper is too warm.	2.4.1 The fresh food set temperature is too warm.	2.4.1.1 Set the fresh food temperature colder and the balance to colder temperature will be achieved within 24 hours
<b>Water, humidity or frost/ice in the fridge</b>		
3.1 Moisture formation on the inside of the fridge.	3.1.1 It is in a hot or humid environment.	3.1.1.1 Try raising the temperature slightly in the affected compartment.
	3.1.2 The door is left open.	3.1.2.1 Check to make sure the door gaskets are clean and sealing well against the metal cabinet frame.
	3.1.3 The door or drawer is opened too frequently or for too long each time.	3.1.3.1 Reduce the frequency of door openings.
	3.1.4 Food containers or liquids are left open.	3.1.4.1 Let hot foods cool to room temperature and cover foods and liquids.
3.2 Water droplets collect in the lower crisper drawer areas.	3.2.1 Humidity settings are set too high.	3.2.1.1 It is normal for some wet air to collect inside the enclosed crisper. To reduce the accumulation of moisture, lower the humidity setting and/or raise the fresh food compartment temperature.

Problem	Cause	Solution
3.3 Water forms at underside of the crisper glass covers.	3.3.1 Moisture given off from wet foods.	3.3.1.1 When placing foods in the fridge first pat them with a dry cloth to remove excess moisture.
	3.3.2 Door seal leaks or frequent door openings in humid environment.	3.3.2.1 Check the door gaskets and reduce door openings. Possibly raise fresh food temperature.
<hr/> Water/humidity/frost on the outside of the fridge		
4.1 Wet air forms droplets of water on the outside edges of the fridge.	4.1.1 Warm, humid air in the environment mixes with cooler air at the door gasket areas of the fresh food and freezer compartments causing condensation.	4.1.1.1 A small amount of dew or water moisture is normal. It is best to wipe it down with a dry cloth to improve performance.
		4.1.1.2 A slight increase in the compartment temperatures can reduce this moisture formation.
		4.1.1.3 Check door gasket for proper seal and clean.
<hr/> Automatic Ice maker		
5.1 The ice maker does not work properly.	5.1.1 Ice cubes are sticking together.	5.1.1.1 Take out the lump of ice cubes, crush it and then return only the separated ice cubes back to the ice cube container.
	5.1.2 Ice cubes may end up sticking together if stored too long.	5.1.2.1 See 5.1.1.1 above.
5.2 Ice cubes are too large or too small.	5.2.1 Ice maker water supply set incorrectly.	5.2.1.1 Adjust the ice maker water supply.
<hr/> Cold water & ice dispenser		
6.1 Cold water not dispensing.	6.1.1 The freezer or refrigerator door is not fully closed. The water supply pipe is not open.	6.1.1.1 Close all appliance doors.  Open the water supply line all the way.
		6.1.2 The water filter is blocked.
	6.1.3 The water line is blocked.	6.1.3.1 Check that the water tubes are not kinked or restricted.
6.2 The water has a strange odour.	6.2.1 The water has been stored too long without use.	6.2.1.1 Remove 7 cups of water and throw away. Check if the odour improves.
	6.2.2 The local potable water source is suspect.	6.2.1.2 Contact your local water supply company to check quality of the water.
6.3 Ice not dispensing.	6.3.1 The freezer or refrigerator door is not fully closed.	6.3.1.1 Close all appliance doors.
	6.3.2 No ice cubes in the container	6.3.2.1 Wait until ice cubes are supplied.
	6.3.3 Freezer temperature set too high.	6.3.3.1 Lower the freezer temperature to improve the ice cube maker performance.
6.4 Dispenser is jammed	6.4.1 Defrosting water has frozen on the spindle.	6.4.1.1 Remove the container. Clean and dry the spindle. Replace the container.
	6.4.2 Ice cubes are jammed between the ice maker and container.	6.4.2.1 Remove the ice cubes between the ice maker and container.
	6.4.3 Ice cubes are sticking together.	6.4.3.1 Take out the lump of ice cubes, crush it and then return only the separated ice cubes back to the ice cube container.
	6.4.4 Other ice cubes were placed in the dispenser.	6.4.4.1 Only ice cubes produced by the ice maker can be used in the dispenser.

Problem	Cause	Solution
<b>The fridge has a bad odour</b>		
7.1 The inside of the fridge is dirty.	7.1.1 The inside walls, shelves, and door bins need cleaning	7.1.1.1 Clean all inside surfaces with warm water and a clean soft damp cloth then wipe dry.
	7.1.2 Food in the fridge has been stored beyond its useful life.	7.1.2.1 Wrap and cover foods to extend useful food life.
<b>The door is hard to open and/or close</b>		
8.1 The door has a closing problem.	8.1.1 The door may have food articles or packages that are obstructing closure.	8.1.1.1 Reposition the shelves, door bins, or internal containers to allow the door to close.
	8.1.2 The level of the refrigerator is causing the door to shift out of position.	8.1.2.1 Make sure the floor is level using sturdy materials that are also non flammable.
	8.1.3 The door could be hitting against adjacent cabinets or appliances.	8.1.3.1 Provide a good 25mm (1") clearance on all 3 sides and on top of the cabinet so doors can open and close freely.
<b>General</b>		
9.1 The compressor does not work.	9.1.1 The refrigerator is in deep freeze cooling	9.1.1.1 This is normal for a refrigerator that goes into deep freeze automatically. The period of deep freeze cooling lasts about 30 minutes.
	9.1.2 The refrigerator is not powered on.	9.1.2.1 Make sure the plug is inserted all the way into the power outlet.
		9.1.2.2 Has the circuit breaker tripped? Check and change to a new 13A fuse and/or reset the circuit breaker.
		9.1.2.3 Check the electrical supply to the room. Call the local electricity company.
9.2 The fridge operates frequently or operates for a long time.	9.2.1 The room temperature or ambient temperature is high.	9.2.1.1 It is normal for the fridge to operate continuously.
	9.2.2 The ice maker is in operation.	9.2.2.1 This is normal – the ice maker adds extra work load in the refrigerator.
	9.2.3 The doors are frequently opened and closed.	9.2.3.1 Try to reduce frequency of door or drawer openings.
	9.2.4 The control settings in the freezer and fresh food compartments are set to cold level.	9.2.4.1 Raise up the compartment temperatures slightly and allow 24 hours to reach new balance.
	9.2.5 Door seals may be dirty, frayed or cracked.	9.2.5.1 Clean off the gaskets and/or heat slightly with hair dryer so gasket takes contour of metal frame.
9.3 The compressor frequently cycles on and off.	9.3.1 The compartment temperature sensors keep the fridge at the set points causing the compressor to cycle.	9.3.1.1 This is normal. The fridge compressor will provide the required cooling level.
10.1 The light is out.	10.1.1 The light switch is blocked somehow with debris or food particles	10.1.1.1 Disconnect the power supply cord plug. Locate the light switch on the food liner wall and move it to see if pressing the switch in and out a few times can dislodge the food.
	10.1.2 The fridge power is off.	10.1.2.1 Make sure the power cord plug is fully engaged into the wall outlet socket.
11.1 A beeping noise from inside the fridge or freezer.	11.1.1 A door is open for over 60 seconds.	11.1.1.1 This is normal and will repeat every 1 minute until the door is closed.

## 7. Technical Data

---

### Ratings

Model	HRF-628A* 6/HRF-628I* 6
Electrical voltage / frequency	220-240V 50Hz
Energy efficiency class	A+
Climate class	SN-N-ST
Freezer compartment star rating	*/***
Refrigerant	R600a 80g
Gross capacity	610 litres
Net capacity	550 litres
Net capacity refrigerator compartment	375 litres
Net capacity freezer compartment	175 litres
Freezer capacity / 24 hours	10kg / 24 hours
Energy consumption / year	420kW·h / year
Energy consumption (EN153)	1.15kW·h / 24h
Maximum noise level	42dB(A)
Maximum storage time by power failure	5 hours
Ice making capacity	1 kg/24h

Model	HRF-630A* 7/HRF-630I* 7
Electrical voltage / frequency	220-240V 50Hz
Energy efficiency class	A++
Climate class	SN-N-ST-T
Freezer compartment star rating	*/***
Refrigerant	R600a 80g
Gross capacity	610 litres
Net capacity	555 litres
Net capacity refrigerator compartment	375 litres
Net capacity freezer compartment	180 litres
Freezer capacity / 24 hours	10kg / 24 hours
Energy consumption / year	355kW·h / year
Energy consumption (EN153)	0.97kW·h / 24h
Maximum noise level	42dB(A)
Maximum storage time by power failure	5 hours
Ice making capacity	1 kg/24h

---

## Vor der Erstinbetriebnahme der Maschine

**Bestimmungsgemäße Verwendung:** Dieses Gerät dient zur Nutzung im Haushalt oder in ähnlichen Anwendungsbereichen wie beispielsweise im Personal Küchenbereich von Geschäften, Büros oder anderen Arbeitsumgebungen; es kann auch durch Kunden in Hotels, Motels und anderen Wohneinrichtungen genutzt werden.

### *Was Sie tun sollten:*

Achten Sie darauf, dass der Netzstecker nicht unter dem Kühlschrank eingeklemmt wird.

Ziehen Sie am Stecker, nicht am Kabel, wenn Sie den Kühlschrank vom Netz trennen.

Achten Sie darauf, das Gerät nicht über das Netzkabel zu rollen und dieses nicht zu beschädigen, wenn Sie den Kühlschrank von der Wand wegziehen. Achten Sie darauf, dass der Netzstecker nicht beschädigt ist. Wenn dies der Fall ist, schalten Sie das Gerät ab, trennen Sie vorsichtig die Verbindung zur Stromversorgung, und wenden Sie sich an einen autorisierten Kundendienst. Stellen Sie sicher, dass kein Gas oder anderes brennbares Gas in der Nähe des Kühlschranks austritt. Wenn dies der Fall ist, schließen Sie das entsprechende Gasventil. Öffnen Sie Türen und Fenster, und ziehen Sie keinen Stecker des Kühlschranks oder eines anderen elektrischen Gerätes heraus.

Ziehen Sie vor der Reinigung, der Wartung und dem Wechseln von Lampen den Netzstecker.

Öffnen Sie die Tür am Griff. Vorsicht: Es ist nur wenig Raum zwischen den Türen. Geben Sie Acht, dass Sie Ihre Finger nicht einklemmen.

Warten Sie nach dem Ziehen des Steckers mind. 5 Minuten, bevor Sie den Kühlschrank wieder einschalten, da häufiges Einschalten den Kompressor beschädigen kann.

Die Lüftungsöffnungen dürfen nicht verdeckt werden.

Entfernen Sie vor der Entsorgung des Kühlschranks Türen, Dichtungen und Einlegeböden, und bewahren Sie diese an einem sicheren Ort auf, um zu vermeiden, dass Kinder im Gerät eingeschlossen werden.

Der Kühlschrank sollte an einem gut gelüfteten Ort und in der Nähe eines Trinkwasseranschlusses aufgestellt werden.

Sorgen Sie für einen Abstand von mindestens 20 cm über dem Kühlschrank und 10 cm um den Kühlschrank herum.

Das Gerät muss so aufgestellt werden, dass der Stecker zugänglich bleibt.

### *Was Sie nicht tun sollten:*

Der Kühlschrank wird mit 220–240 V/50 Hz Wechselstrom betrieben. Wenn die Stromspannung nicht den Anforderungen des Kühlschranks entspricht, kann dies zu Betriebsausfall oder Beschädigungen an der Temperaturregelung oder am Kompressor führen. Außerdem können ungewöhnliche Geräusche auftreten. In diesem Fall muss eine Regelautomatik installiert werden.

Es muss eine dedizierte Steckdose mit zuverlässiger Erdung für den Kühlschrank bereitgestellt werden. Das Stromkabel des Kühlschranks ist mit einem dreipoligen (geerdeten) Stecker ausgestattet, der in eine dreipolige (geerdete) Standardsteckdose passt. Unter keinen Umständen darf der dritte Pol für die Erdung entfernt oder abmontiert werden. Der Netzstecker sollte nach Aufstellung des Kühlschranks nach wie vor zugänglich sein.

Bewahren Sie niemals brennbare, explosive oder korrodierende Materialien im Kühlschrank auf.

Bewahren Sie keine Medikamente, Bakterien oder chemischen Stoffe im Kühlschrank auf. Der Kühlschrank ist ein Haushaltsgerät. Es ist nicht empfehlenswert, Materialien aufzubewahren, bei denen präzise Temperaturvorgaben eingehalten werden müssen.

Ziehen Sie nicht direkt an der Tür oder an den Flaschenabstellern in der Tür. Die Tür könnte sonst verzogen bzw. die Flaschenabsteller abgezogen werden, oder der Kühlschrank könnte umfallen. Steigen Sie nicht auf die Tür der Gefrierkammer, die Fächer oder den Schrank, wenn Sie Lebensmittel herausnehmen.

Berühren Sie die Innenseite des Gefrierfachs nicht, solange es in Betrieb ist, vor allem nicht mit feuchten Händen, da sie auf der Oberfläche festfrieren könnten.

Spritzen oder spülen Sie den Kühlschrank beim Reinigen nicht aus, da dies die elektrische Isolierung des Kühlschranks beschädigen könnte. Stellen Sie den Kühlschrank aus diesem Grund auch nicht in einem feuchten Bereich auf oder an einem Ort, an dem er Spritzwasser ausgesetzt sein könnte. Reinigen und trocknen Sie Wasserspritzer und Flecken mit einem weichen sauberen Tuch.

Demontage und Modifizierung des Kühlschranks müssen genehmigt werden. Jede Erschütterung kann dazu führen, dass Kühlleitungen beschädigt werden. Das Gerät kann dadurch beschädigt oder Personen verletzt werden.

Die Reparatur des Kühlschranks muss von Fachleuten durchgeführt werden.

Lagern Sie niemals Bier oder andere Getränke in Flaschen im Gefrierschrank, da diese während des Gefriervorgangs platzen.

Stellen Sie den Kühlschrank nicht in direktem Sonnenlicht bzw. in der Nähe von Öfen, Heizkörpern oder anderen Geräten auf, um die Gefrierleistung nicht zu beeinträchtigen.

Lassen Sie die Tür des Kühlschranks nicht unbeaufsichtigt offen stehen, und achten Sie darauf, dass Kinder nicht in den Kühlschrank klettern.

Achten Sie darauf, dass Kleinkinder oder Kinder nicht in die Schublade des Gefrierschranks klettern.

Verwenden Sie keine Elektrogeräte im Inneren des Kühlschranks, außer wenn diese sind speziell vom Hersteller für diesen Zweck vorgesehen sind.

Beschädigen Sie den Stromkreis des Kühlschranks nicht.

Trocknen Sie den Innenbereich des Gefrierschranks nie mit einem Haarföhn. Stellen Sie zur Geruchsentfernung nie brennende Kerzen in den Kühlschrank.

Sprühen Sie keine flüchtigen Stoffe wie Insektizid auf die Oberfläche des Geräts.

Öffnen oder schließen Sie die Türen nur, wenn sich keine Kinder im Türbereich aufhalten.

Legen Sie keine instabilen, schweren Gegenstände (z. B. Behälter, die mit Flüssigkeit gefüllt sind) auf den Kühlschrank. Das kann zu Verletzungen durch Herunterfallen oder einem elektrischen Schlag bei Kontakt mit Wasser führen.

Lagern oder benutzen Sie kein Benzin oder andere brennbare Stoffe in der Nähe des Kühlschranks, um Brände zu vermeiden.

---

Dieses Gerät kann von Kindern ab 8 Jahren und darüber und von Personen mit reduzierten physischen, sensorischen oder mentalen Fähigkeiten oder Mangel an Erfahrung und/oder Wissen benutzt werden, wenn sie beaufsichtigt oder bezüglich des sicheren Gebrauchs des Gerätes unterwiesen wurden und die daraus resultierenden Gefahren verstanden haben. Kinder dürfen nicht mit dem Gerät spielen. Reinigung und Benutzer-Wartung dürfen nicht durch Kinder ohne Beaufsichtigung durchgeführt werden.

Bewahren Sie nicht zu viele Lebensmittel im Gefrierfach auf, um eine zu lange Betriebsdauer des Kompressors zu vermeiden bzw. um zu vermeiden, dass Lebensmittel herausfallen. Es wird empfohlen, die Beladungsgrenze der Schubladen nicht zu überschreiten. Das Gesamtgewicht der Lebensmittel sollte nicht über 30kg liegen. Um zu vermeiden, dass Lebensmittel auf den Boden fallen, ziehen Sie nicht zu stark oder in einem zu schrägen Winkel an der Schublade.

Verwenden Sie nur vom Hersteller empfohlene mechanische Geräte oder andere Gegenstände, um den Einfrierprozess zu beschleunigen.

Bei Problemen mit der Beleuchtung des Kühlschranks, wenden Sie sich an den Kundendienst.

Wenn das Stromversorgungskabel beschädigt ist, muss es durch den Hersteller bzw. Einen Kundendienstmitarbeiter oder eine entsprechend qualifizierte Fachkraft ausgetauscht werden, um Sicherheitsrisiken zu vermeiden.

Bitte setzen Sie sich zwecks der Geräteentsorgung mit dem Kundendienst in Verbindung, da das verwendete Kühlmittel entzündbar ist.

---

# Inhalt

---

<b>1. Erste Schritte</b>	<b>1</b>	<b>4. Installation</b>	<b>15</b>
Sicherheit	1	Aufstellen des Geräts	15
Informationen zum Kühlmittel	2	Aus- und Einbau der Türen	16
Umweltschutz	2	Ausrichten der Kühl-/ Gefrierkombination in der Waagerechten und Einstellen der Türen	17
<b>2. Informationen zu Ihrem Kühlgerät</b>	<b>3</b>	Ausrichten der Türen in der Waagerechten	17
Informationen zum Aufbewahrungsfach für frische Lebensmittel	5	Anbringen der Griffe	17
Informationen zum Gefrierbereich	6	Anschluss für Stromversorgung	17
Eiswürfel-/Wasserbereiter	7	Anschluss für Wasserzufuhr	18
Hausbar	7	<b>5. Reinigung und Wartung</b>	<b>19</b>
Betrieb der Kühl-/Gefrierkombination	9	Abtauen	19
Verwenden des Wasser-/ Eiswürfelbereiters	12	Reinigen	19
Sicherheit	12	Den Kühlschrank ausschalten	19
Abtauautomatik	12	Bei Nichtgebrauch	19
Alarmfunktion	12	Wasserfilter	19
Abschalten des Displays	12	<b>6. Fehlerbehebung</b>	<b>20</b>
<b>3. Tipps zur Lebensmittelaufbewahrung</b>	<b>13</b>	<b>7. Technische Daten</b>	<b>23</b>
Tipps zur Lagerung frischer Lebensmittel	13		
Tipps zum Einfrieren von Lebensmitteln	14		

- Lesen Sie zunächst die Bedienungsanleitung durch.
- Bewahren Sie die Bedienungsanleitung an einem sicheren Ort auf.
- Achten Sie darauf, dass Lüftungsöffnungen im Gehäuse des Geräts oder in der eingebauten Struktur nicht blockiert sind.
- Verwenden Sie nur vom Hersteller empfohlene mechanische Geräte oder Mittel zum Beschleunigen des Abtauprozesses.
- Beschädigen Sie den Kühlkreislauf nicht.
- Verwenden Sie nur vom Hersteller empfohlene elektrische Geräte in den Aufbewahrungsfächern für Lebensmittel.
- Aufgrund unserer Richtlinie der kontinuierlichen Verbesserung behalten wir uns das Recht vor, ohne Vorankündigung Änderungen an den technischen Daten vorzunehmen.

# 1. Erste Schritte

---

Vielen Dank, dass Sie sich für diese Kühl-/Gefrierkombination entschieden haben. Wir hoffen, dass diese moderne und praktische Lösung Ihren Kühlanforderungen gerecht wird. Lesen Sie diese Bedienungsanleitung vor Verwendung Ihrer neuen Kühl-/Gefrierkombination durch. Bewahren Sie die Bedienungsanleitung an einem sicheren Ort auf, und machen Sie sie gegebenenfalls neuen Eigentümern zugänglich. Wir hoffen, dass Ihnen diese Bedienungsanleitung alle gewünschten Informationen liefert. Sollten Sie Fragen haben, wenden Sie sich bitte an uns (unter „Garantie“ erhalten Sie Informationen zum Kundenservice).

- ⚠ **WARNUNG!** Dieses Gerät muss geerdet werden.
- ⚠ Lassen Sie das Gerät zunächst mindestens sechs Stunden ruhen. So kann sich das Kühlsystem nach dem Transport stabilisieren.
- ⚠ Achten Sie darauf, dass dieses Gerät von einer qualifizierten Person installiert wird.
- ⚠ Der Gefrierbereich wurde mit 4 Sternen bewertet.
- ⚠ Dieses Gerät ist nur für den Privatgebrauch konzipiert. Wenn es für andere Zwecke verwendet wird, werden Gewährleistungsansprüche möglicherweise ungültig.
- Reinigen Sie das Gerät vor dem Anschluss an die Stromversorgung innen mit warmem Wasser und Natron, und trocknen Sie anschließend alles sorgfältig.
- Stellen Sie sicher, dass keine Teile des Geräts beschädigt sind, insbesondere Kühlsystem, Schläuche oder Kabel. Falls Beschädigungen vorhanden sind, darf das Gerät NICHT installiert werden. Wenden Sie sich an einen qualifizierten Servicetechniker oder an den Kundenservice.
- Wenn sich die Zubehörteile im Inneren des Geräts beim Transport verlagert haben, bringen Sie sie gemäß den Anweisungen wieder an die richtige Position.
- Achten Sie darauf, dass die Stromversorgung für dieses Gerät korrekt ist. Die erforderlichen Stromdaten befinden sich auf dem Datenetikett des Geräts. Das Datenetikett befindet sich im Inneren des Geräts (oben im Kühlbereich).
- Wenn das Gerät aufgestellt, gereinigt und getrocknet wurde und sich nach dem Transport einige Zeit in der Ruheposition befand, kann es eingesteckt und eingeschaltet werden.

## Sicherheit

- ⚠ **WARNUNG!** Verwenden Sie mit diesem Gerät ausschließlich Trinkwasser.
- ⚠ **WARNUNG!** Achten Sie darauf, dass um das Gerät keine Gegenstände stehen.
- ⚠ Beschädigen Sie den Kühlkreislauf nicht. Im Falle von Beschädigungen darf das Gerät nicht verwendet werden.

- ⚠ **WARNUNG!** Verwenden Sie KEINE mechanischen Geräte (z. B. Haartrockner) zum Abtauen des Geräts.
- ⚠ **WARNUNG!** Die Wasser- und Eisschläuche MÜSSEN vor der Verwendung durchgespült werden. Weiteres erfahren Sie unter „Eiswürfel-/Wasserbereiter“ in dieser Bedienungsanleitung.
- Achten Sie beim Entsorgen alter Geräte darauf, dass die Verriegelungsmechanismen vor der Entsorgung deaktiviert wurden. Es empfiehlt sich, die Tür des Geräts komplett abzunehmen, damit sich Kinder nicht versehentlich im Gerät einsperren können.
- Das Gerät muss sicher an die Stromversorgung angeschlossen werden. Lose Kabel, defekte Stecker und ungeschützte Drähte stellen ein Sicherheitsrisiko dar. Stellen Sie sicher, dass alle Anschlüsse in Ordnung sind.
- Vor routinemäßigen Wartungsarbeiten oder kleineren Reparaturen muss das Gerät von der Stromversorgung getrennt werden. Dazu zählen auch Reinigungsarbeiten und das Austauschen von Leuchtmitteln.
- Achten Sie darauf, die kalten Oberflächen des Geräts während des Betriebs NICHT zu berühren, da Hände daran haften bleiben und Kaltverbrennungen entstehen können.
- Achten Sie beim Ändern des Abstellorts darauf, dass Leitungen, Schläuche und der Kondensator nicht beschädigt werden. Wenden Sie sich bei entsprechenden Beschädigungen an einen qualifizierten Servicetechniker.
- Schäumende Flüssigkeiten (kohlenensäurehaltige Getränke) dürfen nicht eingefroren werden. Beim Gefrieren vergrößert sich das Volumen dieser Flüssigkeiten, wodurch die entsprechenden Flaschen bzw. Behälter brechen oder explodieren können.
- Lebensmittel, die vor dem Verzehr zunächst aufgetaut oder zubereitet werden müssen, wie Brot oder Fleisch, dürfen nicht gefroren verzehrt werden.
- Wenn Lebensmittel nicht wie gewohnt aussehen oder einen unangenehmen Geruch verströmen, sollten Sie diese nicht verzehren. Entsorgen Sie sie im Zweifelsfall.
- Verwenden Sie keine scharfen Metallgegenstände, um Eis von den Oberflächen des Geräts zu kratzen. Verwenden Sie nur speziell dafür vorgesehene Utensilien (z. B. Schaber aus Kunststoff), und gehen Sie dabei vorsichtig vor, um Beschädigungen an der Beschichtung zu vermeiden.
- Das Kühlsystem beinhaltet Kühlmittel und Öle, die gesundheitsschädlich sind, sobald sie austreten. Stecken Sie das Gerät in diesem Fall aus, und lüften Sie den Raum. Stellen Sie sicher, dass kein Kühlmittel in oder an Ihre Augen gelangt. Wenden Sie sich an einen Servicetechniker, oder sorgen Sie dafür, dass das Gerät entfernt wird.

## Elektrische Sicherheit

- Netzanschlüsse müssen den örtlichen Vorschriften entsprechen.
- Nach dem Aufstellen des Geräts MUSS der Stecker zugänglich sein.
- Achten Sie darauf, dass das Netzkabel freiliegt.
- Treten Sie nicht auf das Kabel.
- Vermeiden Sie eine Beschädigung des Netzkabels, wenn Sie die Position des Kühlgeräts verändern.

## Beschädigtes Netzkabel

Wenn das Netzkabel beschädigt ist oder Verschleißerscheinungen zeigt, schalten Sie das Kühlgerät aus, und wenden Sie sich zum Ersatz des Kabels an einen autorisierten Händler.

## Informationen zum Kühlmittel

WICHTIG: Dieses Gerät enthält das Kühlmittel ISOBUTAN (R600a). Achten Sie beim Ändern des Abstellorts darauf, dass das Gerät keinen abrupten Stößen oder Schüttelbewegungen ausgesetzt ist. Andernfalls könnte das Gerät beschädigt werden.

Beschädigungen des Kühlkreislaufs, mit einem möglichen Austreten von Kühlmittel, können zu einem Explosionsrisiko durch externe Funken oder Flammen führen.

## Kühlmittelaustritt

Warten Sie, bis das Mittel verdunstet ist, und stellen Sie sicher, dass für entsprechende Belüftung gesorgt ist.

## Verhalten des Kühlmittels

Dieses Kühlmittel ist leicht entflammbar. Achten Sie daher darauf, dass das Mittel nicht mit heißen Oberflächen oder Flammen in Kontakt kommt. Das Kühlmittel R600a ist schwerer als Luft. Beim Austreten bildet sich eine hohe Konzentration auf Bodenebene, wo keine ausreichende Belüftung vorhanden ist.

## Erste Hilfe

### Einatmung

Bringen Sie die betroffene Person aus der verunreinigten Zone in einen warmen, gut belüfteten Raum.

Die Einatmung über einen längeren Zeitraum kann zu Erstickungserscheinungen und möglicherweise zu Bewusstlosigkeit führen. Beginnen Sie falls notwendig mit der künstlichen Beatmung, und verabreichen Sie in schweren Fällen unter strenger ärztlicher Aufsicht Sauerstoff.

### Hautkontakt

Gelegentlicher Hautkontakt birgt sehr geringe Gesundheitsrisiken. Waschen Sie in diesem Fall die betroffene Hautpartie gründlich ab.

Flüssigkeitsspritzer und zerstäubende Flüssigkeit können zu Kaltverbrennungen führen. Waschen Sie die betroffene Hautpartie mit ausreichend Wasser ab, und lassen Sie sich bei Verbrennungen von einem Arzt behandeln.

### Augenkontakt

Waschen Sie das Auge bei geöffnetem Lid mit ausreichend Wasser, und wenden Sie sich so bald wie möglich an einen Facharzt.

Allgemein gilt: Sollten Sie das Kühlmittel R600a einatmen oder damit in Kontakt kommen, konsultieren Sie Ihren Hausarzt.

## Umweltschutz

### Entsorgung der Verpackung

Ihr neues Kühlgerät wurde für den Transport zu Ihnen entsprechend verpackt. Alle verwendeten Materialien können umweltfreundlich entsorgt und recycelt werden. Bitte tragen Sie zum Schutz der Umwelt bei, und entsorgen Sie die Verpackung entsprechend.

### Entsorgung Ihres alten Kühlgeräts



Dieses Symbol auf dem Produkt bzw. der Verpackung gibt an, dass das Produkt nicht mit dem normalen Hausmüll entsorgt werden darf. Stattdessen sollte es an die Sammel- bzw. Recyclingstelle Ihres Bezirks gebracht werden.

Alte Geräte können teilweise noch verwertet werden. Eine umweltfreundliche Entsorgungsmethode stellt sicher, dass wertvolle Rohmaterialien gewonnen und neu verwendet werden können.

Wenn ein Gerät das Ende seiner Betriebszeit erreicht hat, trennen Sie die Verbindung zur Stromversorgung. Schneiden Sie das Netzkabel ab, und entsorgen Sie es zusammen mit dem Stecker.

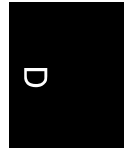
Sorgen Sie dafür, dass die Tür nicht mehr verwendet werden kann (durch Entfernung der Dichtungen), oder nehmen Sie die Tür ab, damit sich Kinder nicht versehentlich darin einschließen können.

Cyclo-/Isopentan, ein FCKW-freies entflammbares Mittel, wird als Treibmittel für den Isolierschaum verwendet.

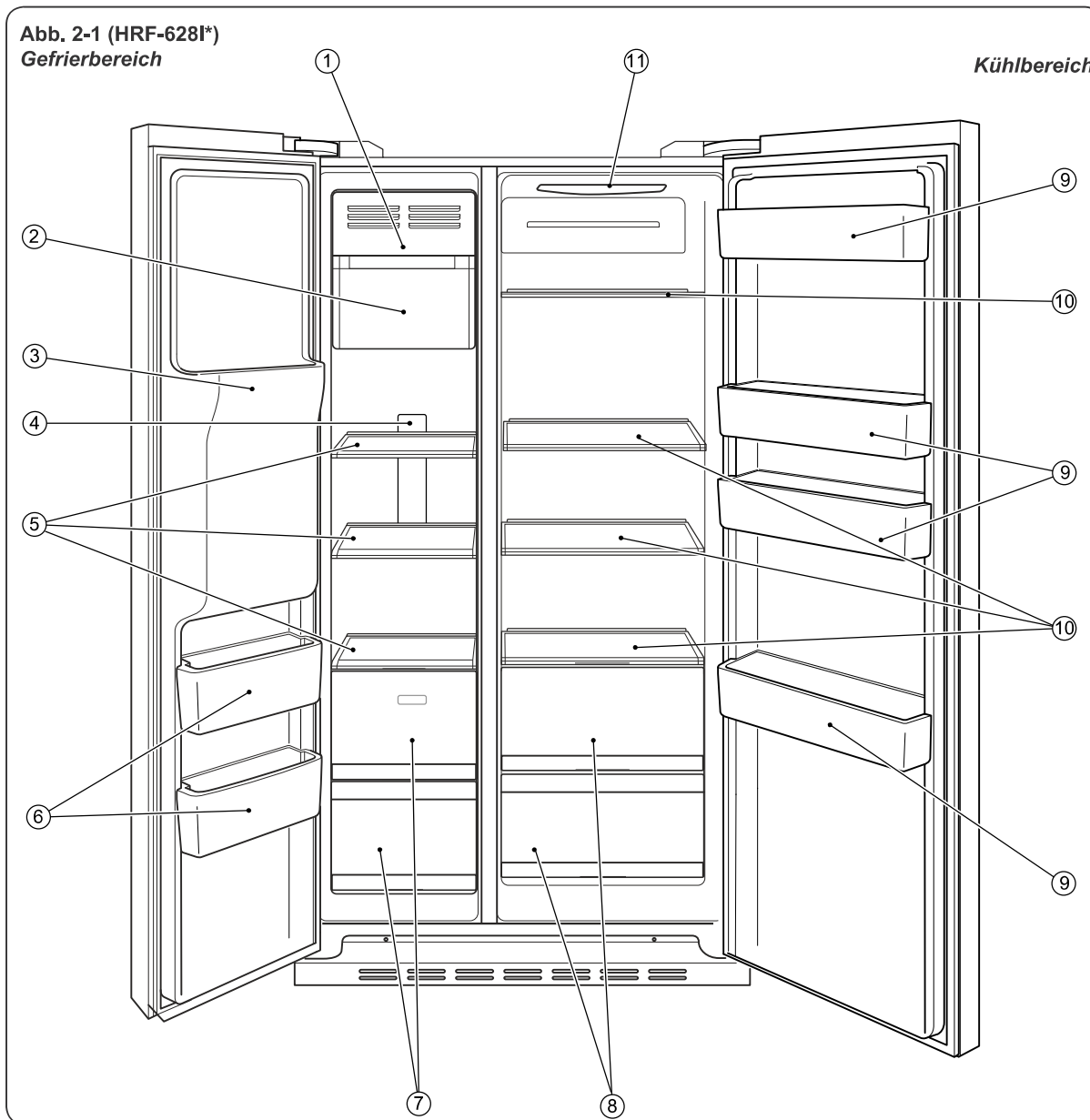
Achten Sie beim Transport des Geräts darauf, dass der Kühlkreislauf nicht beschädigt wird.

Indem Sie sicherstellen, dass dieses Produkt korrekt entsorgt wird, vermeiden Sie potenzielle negative Auswirkungen auf die Umwelt und die Gesundheit des Menschen.

Um weitere Informationen zum Recycling dieses Produkts zu erhalten, wenden Sie sich an die Behörden vor Ort, Ihre Abfallstelle für Hausmüll oder die Verkaufsstelle.



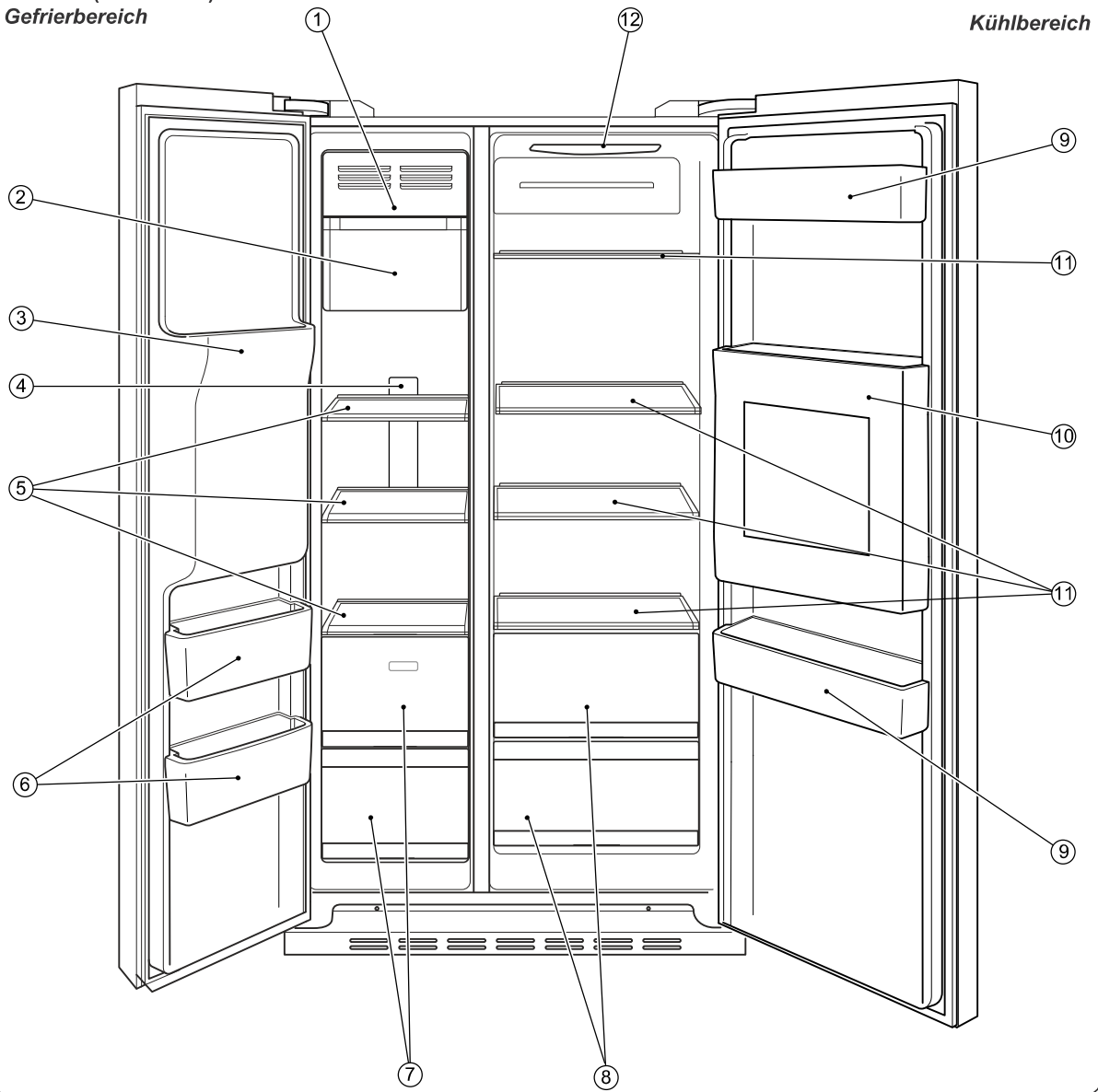
## 2. Informationen zu Ihrem Kühlgerät



Der HRF-628I\* (Abb. 2-1) bietet die folgende Ausstattung:

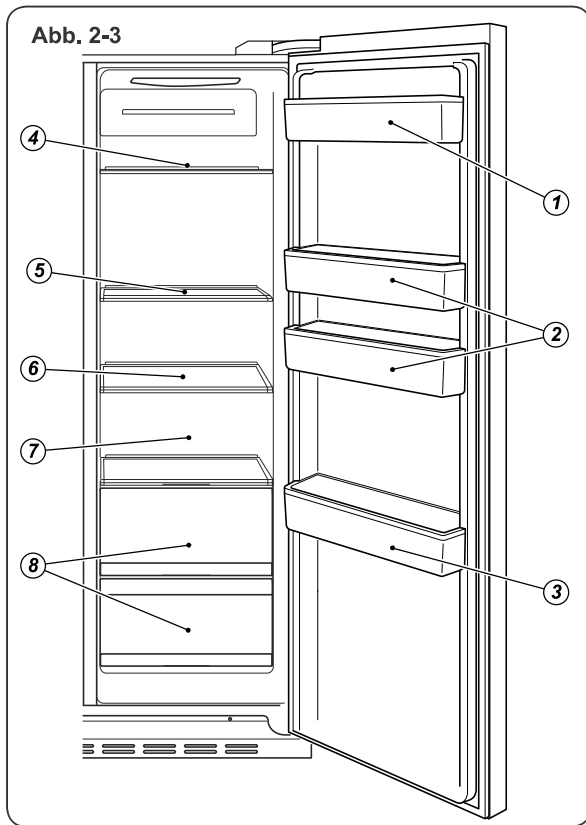
- |   |   |
|---|---|
| 1. Eisfach  | 9. 4 Türfächer im Kühlschrank                     |
| 2. Eiswürfelbehälter mit Eiswürfelbereiter (im Behälter)                                | 10. 4 Aufbewahrungsfächer im Kühlschrank          |
| 3. Wasser- und Eiswürfelbereiter  | 11. LED-Lampe im Kühlschrank                      |
| 4. LED-Lampe im Gefrierschrank  |   |
| 5. 3 Aufbewahrungsfächer im Gefrierschrank  | FCKW- und frostfrei                               |
| 6. 2 Türfächer im Gefrierschrank  | Schnellgefrier-, Schnellkühl- und Urlaubsfunktion |
| 7. 2 Gefrierfächer (HRF-628I*6)<br>3 Gefrierfächer (HRF-630I*7)                         | Automatische Temperaturanzeige                    |
| 8. 2 Gemüsefächer (HRF-628I*6)<br>1 Luftfeuchtigkeitsfach & 2 Gemüsefächer (HRF-630I*7) |   |

Abb. 2-2 (HRF-628A\*)  
Gefrierbereich



Der HRF-628A\* (Abb. 2-2) bietet die folgende Ausstattung:

- |  |   |
|--|---|
| 1. Eisfach   | 10. Innere Abdeckung der Hausbar                  |
| 2. Eiswürfelbehälter mit Eiswürfelbereiter (im Behälter) | 11. 4 Aufbewahrungsfächer im Kühlschrank          |
| 3. Wasser- und Eiswürfelbereiter                         | 12. LED-Lampe im Kühlschrank                      |
| 4. LED-Lampe im Gefrierschrank                           |   |
| 5. 3 Aufbewahrungsfächer im Gefrierschrank               | FCKW- und frostfrei                               |
| 6. 2 Türfächer im Gefrierschrank                         | Schnellgefrier-, Schnellkühl- und Urlaubsfunktion |
| 7. 2 Gefrierfächer (HRF-628A*6)                          | Automatische Temperaturanzeige                    |
| 3 Gefrierfächer (HRF-630A*7)                             |   |
| 8. 2 Gemüsefächer (HRF-628A*6)                           |   |
| 1 Luftfeuchtigkeitsfach & 2 Gemüsefächer (HRF-630A*7)    |   |
| 9. 2 Türfächer im Kühlschrank                            |   |



## Informationen zum Aufbewahrungsfach für frische Lebensmittel

Zur Unterstützung der Kühlluftzirkulation empfehlen wir, etwas Platz zwischen den Lebensmitteln zu lassen. Die Temperaturen im Kühlgerät sind oben etwas wärmer und unten etwas kühler.

Schnell verderbliche Lebensmittel sollten hinten im Gerät gelagert werden, da es dort am kühlpsten ist.

Empfehlungen für die Aufbewahrung (Abb. 2-3):

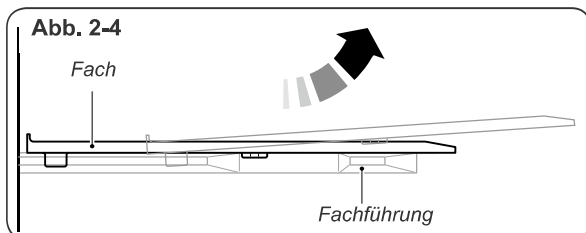
1. Eier, Butter, Käse usw.
2. Dosen, Becher, Würzmittel usw.
3. Getränke und alle abgefüllten Lebensmittel.
4. Eingelegte Lebensmittel, Getränke oder Becher.
5. Fleisch, Geflügel, Fisch und rohe Lebensmittel.
6. Teigwaren, Becher, Milchprodukte usw.
7. Gekochtes Fleisch, Wurst usw.
8. Obst, Gemüse oder Salat.

### Aufbewahrungsfächer

Die Höhe der Fächer lässt sich anpassen.

Bei der Entnahme von Lebensmitteln aus dem Gerät besteht keine Gefahr, dass die Fächer versehentlich mitgeführt werden.

**▲ Nehmen Sie zunächst alle Lebensmittel vom Fach, bevor Sie dessen Höhe anpassen.**



### Aufbewahrungsfächer

Um das Fach herauszunehmen, neigen Sie die Vorderseite so nach oben, dass sich die Halteklammern von den Seitenführungen lösen (Abb. 2-4), und ziehen Sie das Fach zu sich heran. Halten Sie das Fach dabei schräg, damit sich die Haltestopper von den Seitenführungen lösen können.

Stellen Sie beim Einsetzen des Fachs auf der neuen Höhe sicher, dass das Fach vollständig eingeführt wird und die Haltestopper sicher einrasten.

### Beleuchtung

Die LED-Innenbeleuchtung wird eingeschaltet, wenn die Tür geöffnet wird. Diese Lichtfunktion ist unabhängig von allen Einstellungen des Geräts.

## Informationen zum Gefrierbereich

Der Gefrierbereich besteht aus 2 Schüben, einem Eisfach, 3 Glasfächern und 2 Türfächern (Abb. 2-5).

Wie beim Kühlschrank sind bestimmte Bereiche des Gefrierschranks besser für die Lagerung gewisser Lebensmittel geeignet als andere.

Speiseeis und Eiswürfel werden am besten im Eisfach oder im hinteren Teil des Geräts aufbewahrt, da es dort am kältesten ist.

Größere/schwerere Lebensmittel, wie Fleisch, eignen sich besser für die unteren Schübe des Geräts, während leichtere Lebensmittel auf den Fächern gelagert werden sollten. So werden Beschädigungen des Geräts vermieden.

Sie sollten immer sichergehen, dass die Lebensmittel zum Einfrieren geeignet sind, und dass Sie sie sicher im Gerät gelagert haben.

- ⚠ Achten Sie auf einen Abstand von mindestens 10 mm zwischen den Lebensmitteln und dem Sensor, um die ordnungsgemäße Kühlung sicherzustellen.
- ⚠ Der unterste Schub sollte beim Betrieb des Kühlgeräts immer eingesetzt sein, um die ordnungsgemäße Kühlung sicherzustellen.

## Aufbewahrungsfächer

Um das Fach herauszunehmen, neigen Sie die Vorderseite so nach oben, dass sich die Halteklammern von den Seitenführungen lösen (Abb. 2-6), und ziehen Sie das Fach zu sich heran. Halten Sie das Fach dabei schräg, damit sich die Haltestopper von den Seitenführungen lösen können.

Stellen Sie beim Einsetzen des Fachs auf der neuen Höhe sicher, dass das Fach vollständig eingeführt wird und die Haltestopper sicher einrasten.

## Beleuchtung

Die LED-Innenbeleuchtung wird eingeschaltet, wenn die Tür geöffnet wird. Diese Lichtfunktion ist unabhängig von allen Einstellungen des Geräts.

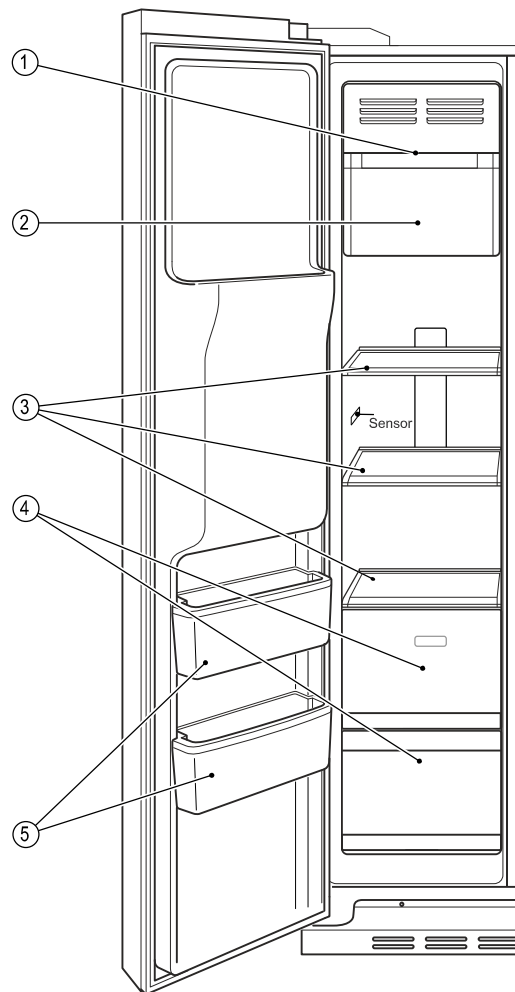
## Auftauen von Lebensmitteln

Wenn Lebensmittel teilweise aufgetaut sind, sollten sie so schnell wie möglich verzehrt werden, da die Qualität durch das Auftauen beeinträchtigt wird.

- ⚠ Achten Sie stets darauf, dass Lebensmittel vor dem Garen vollständig aufgetaut sind und keine Eiskristalle mehr enthalten. Dies trifft besonders bei Geflügel zu, da sich andernfalls große Gesundheitsrisiken ergeben können.

Befolgen Sie beim Auftauen von Fertiggerichten stets die Anweisungen auf der Verpackung. Die Richtlinien des Herstellers sollten stets beachtet werden, da einige Lebensmittel gefroren zubereitet werden.

Abb. 2-5



- |                        |                        |
|------------------------|------------------------|
| 1. Eisfach             | 4. Aufbewahrungsschübe |
| 2. Eiswürfelbehälter   | 5. Türfächer           |
| 3. Aufbewahrungsfächer |                        |

Abb. 2-6

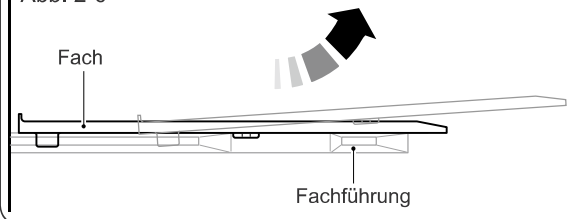


Abb. 2-7

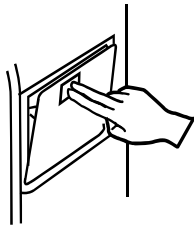


Abb. 2-8

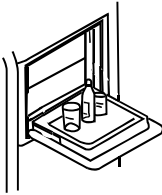


Abb. 2-9

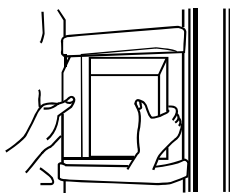
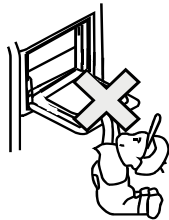


Abb. 2-10



## Eiswürfel-/Wasserbereiter

### Vorsichtsmaßnahmen

- Achten Sie darauf, dass der Wasserschlauch **NIE** Temperaturen unter 0 °C ausgesetzt ist, um ein Einfrieren zu vermeiden.
- Prüfen Sie die Schläuche auf Lecks, indem Sie sie so lange mit Wasser durchspülen, bis das Wasser klar ist.
- Achten Sie nach dem Aufstellen des Geräts darauf, dass der Wasserschlauch keine Knicke aufweist und sich nicht in der Nähe von Wärmequellen befindet, um Beschädigungen zu vermeiden.
- Sobald die Temperatur im Gefrierschrank auf -12 °C gesunken ist, beginnt die Zubereitung von Eiswürfeln.
- Der Eiswürfelbereiter darf **NICHT** übermäßig betrieben werden. Wenn Sie die Eiswürfeltaste zu häufig betätigen, wechselt die Funktion in den Abschaltmodus. Dies ist völlig normal. Nach einer Wartezeit von einer Stunde können Sie den Eiswürfelbereiter erneut verwenden.
- Verwenden Sie **KEINE** empfindlichen bzw. zerbrechlichen Behälter.
- Berühren Sie die Eiswürfelausgabe **NICHT** mit den Händen oder mit Gegenständen, um Verletzungen oder Beschädigungen zu vermeiden.
- Fügen Sie manuell **NICHT** mehr Wasser hinzu. Das Wassersystem funktioniert automatisch. Wenn der Eiswürfelbereiter eingeschaltet ist, das Gerät jedoch über keinen Wasseranschluss verfügt, funktioniert der Eiswürfelbereiter nicht.

### Funktionsweise des Eiswürfelbereiters

Die Leistung des Eiswürfelbereiters beträgt 1 kg/24 Std. (Dieser Wert ist das Ergebnis von Laboruntersuchungen bei einer Raumtemperatur von 32 °C). Bei abweichender Raumtemperatur und unterschiedlichem Wasserdruck kann die Leistung im täglichen Gebrauch geringfügig vom angegebenen Wert abweichen.

Verwenden Sie keine Eiswürfel, die nach der Inbetriebnahme des Geräts oder nach einer längeren Unterbrechung in der ersten Charge zubereitet wurden. Entsorgen Sie diese.

Um die gesamte Kapazität des Eiswürfelbehälters nutzen zu können, müssen Sie die Eiswürfel im Behälter gelegentlich manuell neu arrangieren.

Einige Eiswürfel haften u. U. aneinander, wenn sie in den Behälter fallen. Diese müssen voneinander getrennt werden, um die Eiswürfelbox effizient zu nutzen.

### Hausbar

- Drücken Sie zum Öffnen der Bar die Fachtaste (Abb. 2-7). Das Barfach öffnet sich. Die Hausbar kann ohne Öffnung der Tür des Geräts verwendet werden, wodurch Energie gespart wird. Wenn die Hausbar geöffnet wird, wird die Kühlgerätleuchte eingeschaltet.
- Sie können Getränke oder Speisen in die Hausbar stellen (Abb. 2-8).
- Nehmen Sie die innere Abdeckung der Hausbar nicht ab (Abb. 2-9). Die Hausbar funktioniert nicht, wenn die Abdeckung abgenommen wurde.
- Halten Sie die Hausbar von Kindern fern (Abb. 2-10). Andernfalls könnten sich Kinder verletzen, und die Hausbar könnte beschädigt werden.

- ▲ Schließen Sie die Hausbar so bald wie möglich, um dafür zu sorgen, dass es im Gerät kühl bleibt. Das Alarmsystem wird aktiviert, wenn die Tür nicht ordnungsgemäß geschlossen wird.

## Erste Verwendung des Eiswürfel-/Wasserbereiters

- ⚠ Die ersten (etwa) sieben Gläser Wasser sind **NICHT zum Verzehr geeignet, da sich in den Wasserschläuchen noch Staub oder andere Verunreinigungen befinden können.**

Dadurch wird sichergestellt, dass die Schläuche gereinigt werden. Betätigen Sie im Zweifelsfall den Wasserbereiter so lange, bis das Wasser klar ist.

### Geräusche während der Eiswürfelbereitung

Die Eiswürfelbereitung kann laut sein. Sie hören möglicherweise, wie die Eiswürfel in den Aufbewahrungsbehälter fallen. Dies ist völlig normal.

### Aufbewahrung von Eiswürfeln über längere Zeit

Eiswürfel, die über einen längeren Zeitraum aufbewahrt werden, können undurchsichtig werden und einen unangenehmen Geruch verströmen. Wir empfehlen, diese Eiswürfel zu entsorgen und die Eiswürfelbox zu reinigen. Trocken Sie die Box gründlich ab, und warten Sie, bis sie abgekühlt ist, bevor Sie sie erneut in das Gerät setzen. So können keine Eiswürfel daran haften bleiben.

### Deaktivieren der Eiswürfelbereitung

Wenn Sie über einen längeren Zeitraum keine Eiswürfel benötigen (z. B. im Winter), können Sie das Ventil zwischen der Wasserversorgung und dem Gerät abstellen. Wir empfehlen, die Eiswürfelbox zu reinigen, sorgfältig zu trocknen und wieder in das Gerät zu setzen. So entstehen keine Gerüche.

### Einsetzen und Herausnehmen des Aufbewahrungsfachs für Eiswürfel

Um die Eiswürfelbox herauszunehmen, heben Sie den Schub an der Mitte hoch, und ziehen Sie ihn heraus (Abb. 2-11).

Hinweis: Durch Kondensationseis kann es vorkommen, dass die Eiswürfelbox festfriert.

Wenn die Eiswürfelbox nicht richtig sitzt, nehmen Sie sie heraus, und drehen Sie die Nocke um 90° im Uhrzeigersinn (Abb. 2-12). Setzen Sie die Eiswürfelbox wieder ein, und stellen Sie sicher, dass der Riegel am Fach in die Schubaussparung passt.

### Störung des Eiswürfelbereiters

Das Volumen der Eiswürfelbox entspricht der Menge an Eiswürfeln, die das Gerät an einem Tag produzieren kann. Teilweise können ein paar Eiswürfel in der Box haften bleiben. Wenn die Eiswürfel haften bleiben, führt dies zu einer Betriebsstörung des Eiswürfelbereiters. Um dieses Problem zu vermeiden, nehmen Sie die Eiswürfelbox heraus, arrangieren Sie die Eiswürfel neu, und entfernen Sie aneinander haftende Eiswürfel.

- ⚠ Achten Sie immer darauf, dass die Eiswürfelabgabe sauber ist und nicht blockiert wird.
- ⚠ Wenn Sie die Eiswürfelbox herausnehmen, erhalten Sie einen zusätzlichen Raum für die Lagerung von Lebensmitteln. Setzen Sie dann den mitgelieferten Flaschenhalter über dem Einlass an der Gefrierschranktür für die praktische Lebensmittelaufbewahrung ein (Abb. 2-13).

Abb. 2-11

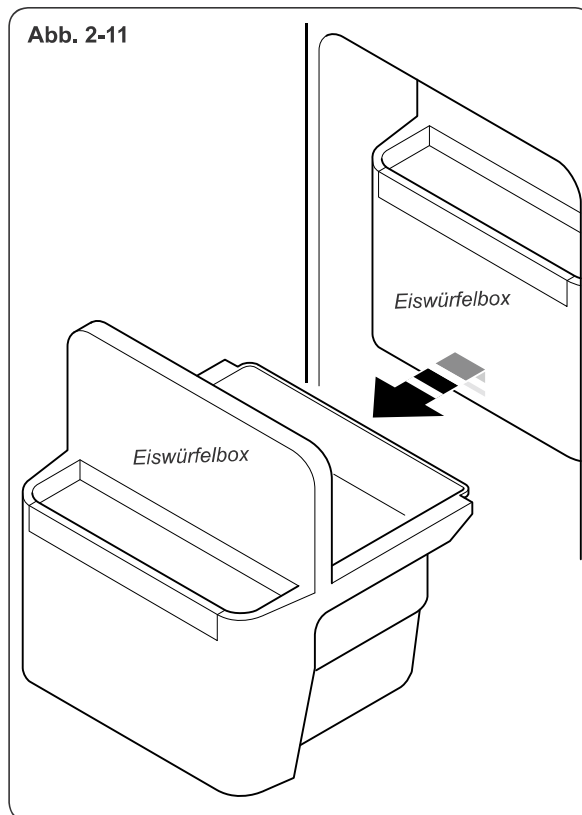


Abb. 2-12

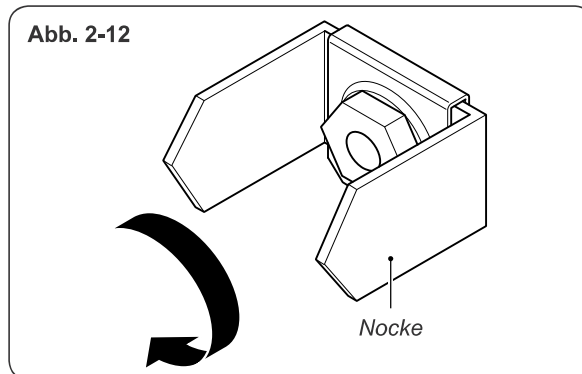
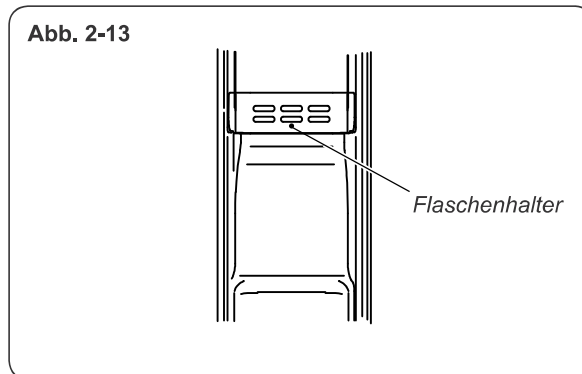
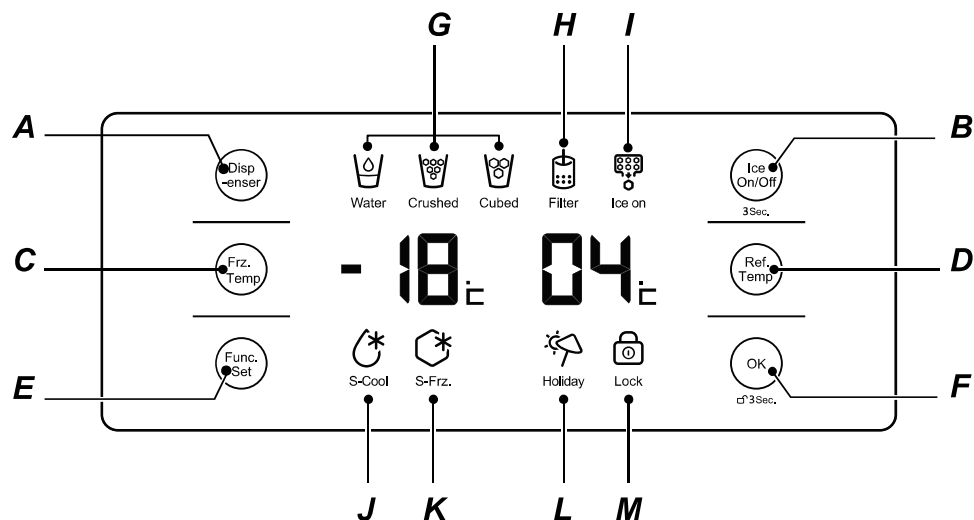


Abb. 2-13



## Betrieb der Kühl-/Gefrierkombination

Abb. 2-14



A – Auswahltaste für Wasser-/Eiswürfelbereiter

B – Ein-/Ausschalter für Eiswürfelbereiter

C – Temperaturtaste für Gefrierschrank

D – Temperaturtaste für Kühlschrank

E – Funktionsauswahltaste

F – Funktionsbestätigungstaste

G – Symbol für Status des Wasser-/Eiswürfelbereiters

H – Symbol für den Filterwechsel

I – Aktivierungssymbol für den Eiswürfelbereiter

J – Schnellkühlsymbol  
K – Schnellgefriersymbol

L – Symbol für Urlaubsmodus

M – Verriegelungssymbol

Die digitale Anzeige des Wasser-/Eiswürfelbereiters und die Funktionstasten werden in Abb. 2-14 dargestellt.

### ▲ WARNUNG!

Im Schnellgefrier- und im Verriegelungsmodus können Sie die Temperatureinstellungen des Geräts nicht anpassen. Wenn Sie eine Temperaturanpassung in diesen Modi versuchen, blinkt das Sonderfunktionssymbol neben dem Symbol für die Gefriertemperatur und ein Tonsignal wird ausgegeben. So wird angezeigt, dass die Temperaturanpassung zu diesem Zeitpunkt nicht möglich ist.

Abb. 2-15

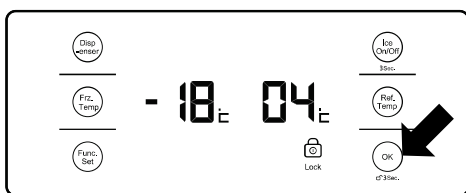


Abb. 2-16

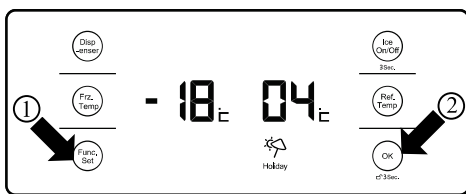
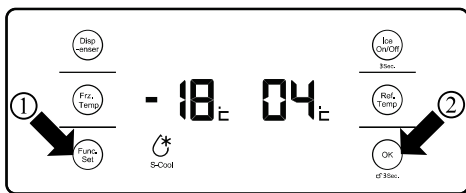


Abb. 2-17



## Verriegelungsmodus

Mit dieser Funktion werden die Temperatur- und Funktionseinstellungen verriegelt. Bei Verriegelung blinkt das Verriegelungssymbol, und es wird ein Tonsignal ausgegeben.

### Verriegeln

Halten Sie die Taste „OK“ 3 Sekunden lang gedrückt (Abb. 2-15). Das Symbol LOCK leuchtet auf, und das Kühlgerät wird verriegelt.

### Entriegeln

Halten Sie die Taste „OK“ 3 Sekunden lang gedrückt. Das Symbol LOCK erlischt, und das Kühlgerät wird entriegelt.

## Urlaubsmodus

▲ **WARNUNG!** Bevor Sie den Urlaubsmodus „Holiday“ auswählen, müssen Sie alle Lebensmittel und Getränke aus dem Kühlschrank nehmen, da diese nach kurzer Zeit möglicherweise nicht mehr genießbar sind.

Mit dieser Funktion können Sie den Kühlbereich ungenutzt lassen, während der Gefrierbereich wie gewohnt in Betrieb bleibt. In diesem Modus wechselt der Kühlschrank automatisch zu einer Temperatur von 17 °C.

### Aktivieren

1. Drücken Sie die Taste „FUNC.SET“, bis der Holiday-Modus ausgewählt ist (Abb. 2-16).
2. Drücken Sie dann die Taste „OK“: das Symbol „HOLIDAY“ leuchtet auf.

### Deaktivieren

1. Drücken Sie die Taste „FUNC.SET“, bis der Holiday-Modus ausgewählt ist.
2. Drücken Sie dann die Taste „OK“: das Symbol „HOLIDAY“ erlischt.

## Schnellkühlmodus

Mit dieser Funktion werden Lebensmittel schnell gekühlt, damit sie so lange wie möglich frisch bleiben. Verwenden Sie diese Funktion, wenn Sie viele Lebensmittel auf einmal in den Kühlbereich geben.

Der Schnellkühlmodus wird deaktiviert, sobald die eingestellte Temperatur erreicht wurde.

### Aktivieren

1. Drücken Sie die Taste „FUNC.SET“, bis der Schnellkühlmodus ausgewählt ist (Abb. 2-17).
2. Drücken Sie dann die Taste „OK“: das Symbol „S-COOL“ leuchtet auf.

### Deaktivieren

1. Drücken Sie die Taste „FUNC.SET“, bis der Schnellkühlmodus ausgewählt ist.
2. Drücken Sie dann die Taste „OK“: das Symbol „S-COOL“ erlischt. Der Schnellkühlmodus ist nun deaktiviert.



## Schnellgefriermodus

Mit dieser Funktion werden Lebensmittel innerhalb kürzester Zeit vollständig gefroren, um so die Nährstoffe in den Lebensmitteln zu erhalten.

Der Schnellgefriermodus wird deaktiviert, sobald die eingestellte Temperatur erreicht wurde.

Verwenden Sie diese Funktion, wenn Sie viele Lebensmittel auf einmal in den Gefrierbereich geben. Wir empfehlen, den Schnellgefriermodus 12 Stunden vorab einzuschalten, da dadurch die Temperatur im Gefrierbereich schon vor dem Hinzufügen neuer Lebensmittel gesenkt wird.

### Aktivieren

1. Drücken Sie die Taste „FUNC.SET“, bis der Schnellgefriermodus ausgewählt ist (Abb. 2-18).
2. Drücken Sie dann die Taste „OK“: das Symbol „S-Frz.“ leuchtet auf.

### Deaktivieren

1. Drücken Sie die Taste „FUNC.SET“, bis der Schnellgefriermodus ausgewählt ist.
2. Drücken Sie dann die Taste „OK“: das Symbol „S-Frz.“ erlischt. Der Schnellgefriermodus ist nun deaktiviert.

## Anpassen der Temperatur für frische Lebensmittel

Drücken Sie die Taste „Ref. Temp“ (Abb. 2-19). Die Anzeige für die Kühlschranktemperatur beginnt zu blinken. Dies bedeutet, dass der Temperatureinstellungsmodus aktiviert ist.

Drücken Sie die Taste „Ref. Temp“, um durch den Kühltemperaturbereich von 9 °C bis 1 °C zu blättern.

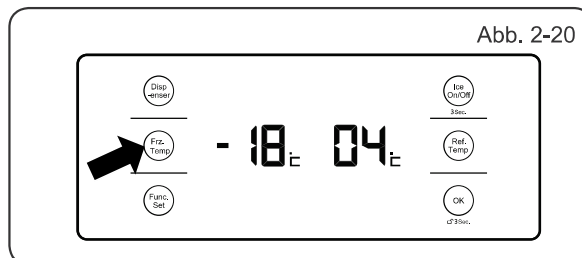
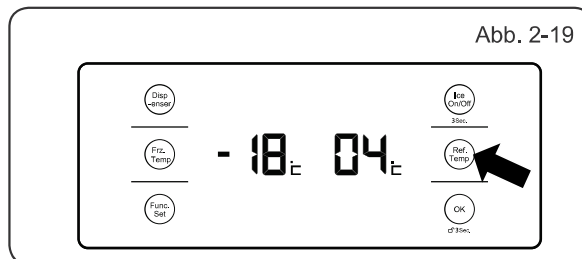
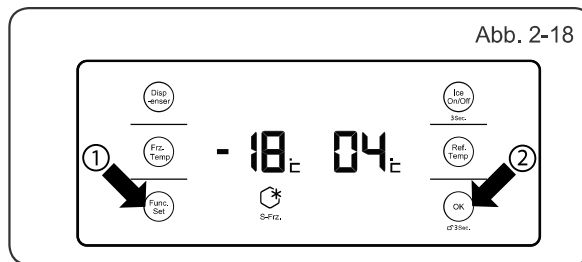
Wenn innerhalb von 5 Sekunden keine Taste gedrückt wird, hört das Blinken auf, und die Temperatur wird entsprechend festgelegt. Die Temperatur bleibt ebenfalls auf dem angezeigten Wert, wenn Sie bei blinkender Anzeige eine andere Taste drücken.

## Anpassen der Gefriertemperatur

Drücken Sie die Taste „Frz. Temp“ (Abb. 2-20). Die Anzeige für die Gefrierschranktemperatur beginnt zu blinken. Dies bedeutet, dass der Temperatureinstellungsmodus aktiviert ist.

Drücken Sie die Taste „Frz. Temp“, um durch den Gefriertemperaturbereich von -14 °C bis -24 °C zu blättern.

Wenn innerhalb von 5 Sekunden keine Taste gedrückt wird, hört das Blinken auf, und die Temperatur wird entsprechend festgelegt. Die Temperatur bleibt ebenfalls auf dem angezeigten Wert, wenn Sie bei blinkender Anzeige eine andere Taste drücken.



## Verwenden des Wasser-/Eiswürfelbereiters

Diese Kühl-/Gefrierkombination bietet drei Optionen: kaltes Wasser, gestoßenes Eis oder Eiswürfel.

Um zu vermeiden, dass Flüssigkeit verspritzt wird, sollten Sie Ihr Glas immer direkt unter die Ausgabe halten, bevor Sie Ihre Auswahl treffen. Wir empfehlen eine mindestens 80 mm breite Tasse für die Entnahme von Eis.

### Eiswürfelbereiter Ein/Aus

Wenn die Kühl-/Gefrierkombination zum ersten Mal in Betrieb genommen wird, ist der Eiswürfelbereiter standardmäßig deaktiviert.

#### Aktivieren

- Drücken Sie 3 Sekunden lang die Taste „ICE MAKER ON/OFF“. Das Aktivierungssymbol für den Eiswürfelbereiter leuchtet auf, und der Eiswürfelbereiter startet den Betrieb.

#### Deaktivieren

- Drücken Sie 3 Sekunden lang die Taste „ICE MAKER ON/OFF“. Das Aktivierungssymbol für den Eiswürfelbereiter erlischt, und der Eiswürfelbereiter beendet den Betrieb.

WICHTIG: Leeren Sie den Eiswürfelbehälter, bevor Sie den Eiswürfelbereiter deaktivieren, da das Eis sonst schmilzt.

#### Kaltes Wasser

1. Halten Sie das Glas an die Ausgabe.
2. Drücken Sie die Auswahl Taste für den Wasser-/Eiswürfelbereiter, und wählen Sie kaltes Wasser aus. Das Symbol „WATER“ leuchtet auf.
3. Drücken Sie das Glas vorsichtig gegen den Schalthebel. Nun wird kaltes Wasser in das Glas ausgegeben.

#### Gestoßenes Eis

1. Halten Sie das Glas an die Ausgabe.
2. Drücken Sie die Auswahl Taste für den Wasser-/Eiswürfelbereiter, und wählen Sie gestoßenes Eis aus. Das Symbol „CRUSHED“ leuchtet auf.
3. Drücken Sie das Glas vorsichtig gegen den Schalthebel. Nun wird gestoßenes Eis in das Glas ausgegeben.

#### Eiswürfel

1. Halten Sie das Glas an die Ausgabe.
2. Drücken Sie die Auswahl Taste für den Wasser-/Eiswürfelbereiter, und wählen Sie Eiswürfel aus. Das Symbol „CUBED“ leuchtet auf.
3. Drücken Sie das Glas vorsichtig gegen den Schalthebel. Nun werden Eiswürfel in das Glas ausgegeben.

#### Wechseln des Wasserfilters

Wenn das Symbol für den Filterwechsel aufleuchtet, müssen Sie den Wasserfilter wechseln (etwa alle 6 Monate). Drücken Sie anschließend 3 Sekunden lang die Taste „FUNC.SET“, und das Symbol für den Filterwechsel erlischt.

#### Sicherheit

- ▲ Verwenden Sie KEINE übermäßig tiefen, schmalen, zerbrechlichen oder empfindlichen Gläser.
- Halten Sie das Glas so nahe wie möglich an die Ausgabe, um zu vermeiden, dass Wasser verspritzt wird, Eis herunterfällt oder der Eiswürfelbereiter blockiert wird.

- Fünf Sekunden nach der letzten Eis- oder Wasserausgabe schließt sich die Klappe des Eiswürfelbereiters, und es ist ein Ton zu hören. Halten Sie das Glas, sobald es voll ist, und nachdem Sie den Schalthebel losgelassen haben, noch weitere 2 bis 3 Sekunden (für Eis), 1 bis 2 Sekunden (für Wasser) an seiner Position, da eventuell noch etwas Wasser bzw. Eis produziert wird.
- Reinigen Sie den Eiswürfelbereiter regelmäßig.
- Für eine gute Wasserqualität muss der Filter von Zeit zu Zeit ausgetauscht werden. Wir empfehlen, den Wasserfilter alle 6 Monate auszutauschen. Wenn sich die Wasserqualität allerdings in Aussehen oder Geschmack verschlechtert, muss der Filter früher gewechselt werden.
- Möglicherweise wird zerstoßenes Eis statt Eiswürfeln ausgegeben, wenn als letzte Option zerstoßenes Eis ausgewählt war.
- ▲ Stellen Sie NIEMALS Getränke oder Nahrungsmittel in Dosen in den Eiswürfelbereiter, da dies den Zerkleinerungsmechanismus beschädigen würde.
- ▲ Um Verletzungen oder Beschädigungen am Gerät vorzubeugen, VERMEIDEN Sie es, mit dem Eiswürfelbereiter in Berührung zu kommen, und entfernen Sie NICHT die Abdeckung des Eiswürfelbereiters.
- Das erste eingefüllte Wasser (ca. sieben Gläser) und die ersten Eiswürfel (ca. 20 Stück) sollten nach der ersten Inbetriebnahme und nach längerer Nichtbenutzung des Geräts nicht konsumiert werden. Entsorgen Sie diese entsprechend.
- Legen Sie, um Schäden am Mechanismus zu vermeiden, keine Eiswürfel, die nicht aus dem Eiswürfelbereiter stammen, in die Vorratsschublade.
- Eine zu geringe Wasserzufuhr kann zur Produktion kleiner Eiswürfel führen. Eine zu hohe Wasserzufuhr kann zur Produktion größerer Eiswürfel führen, die aneinander haften und zum Auslaufen und Verstopfen des Eiswürfelbereiters führen. In diesem Fall sollten Sie den Wasserzulauf anpassen oder sich an einen Servicetechniker wenden.

#### Abtauautomatik

Der Kühlschrank muss nicht abgetaut werden, da er mit einer Abtauautomatik ausgerüstet ist.

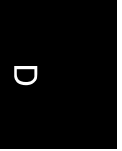
- ▲ Verwenden Sie zur Beschleunigung des Abtau Prozesses KEINE mechanischen Geräte, außer den vom Hersteller empfohlenen.

#### Alarmfunktion

Wenn Sie eine Tür längere Zeit offen lassen oder nicht richtig schließen, ertönt aus der Kühl-/Gefrierkombination in regelmäßigen Abständen ein Tonsignal, mit dem Sie darauf aufmerksam gemacht werden, die Tür richtig zu schließen.

#### Abschalten des Displays

Nach 30 Sekunden wird das digitale Display solange ausgeschaltet, bis die Kühl-/Gefrierkombination wieder verwendet wird.



### 3. Tipps zur Lebensmittelaufbewahrung

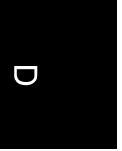
---

#### Tipps zur Lagerung frischer Lebensmittel

- Halten Sie die Kühlschranktemperatur unter 5 °C.
- Lebensmittel, die ihr Mindesthaltbarkeits- bzw. Verfallsdatum erreicht haben, werden schnell ungenießbar. Es kann gefährlich sein, diese dann noch zu verzehren. Lebensmittel, die ihr Mindesthaltbarkeitsdatum erreicht haben, sind in der Regel noch haltbar. Sie sollten zwar noch genießbar sein, die Qualität hat jedoch möglicherweise gelitten.
- Achten Sie darauf, dass gekochte Lebensmittel auf Raumtemperatur abkühlen, bevor sie in der Kühl-Gefrierkombination aufbewahrt werden. Achten Sie darauf, dass diese Lebensmittel in geeigneten Behältern aufbewahrt werden.
- Im Kühlschrank aufbewahrte Lebensmittel sollten vor der Lagerung gewaschen und abgetrocknet werden.
- Manche Lebensmittel lässt man am besten in der Verpackung des Herstellers, wenn man sie im Kühlschrank lagert. Wenn die Lebensmittel ausgepackt wurden, empfiehlt es sich, sie wieder einzupacken, sodass das Wasser nicht verdunsten kann. Manche Früchte und Gemüsesorten bleiben frischer und nehmen keinen Geruch an, wenn sie eingepackt sind.
- Aufbewahrte Lebensmittel können in Beuteln oder Behältern gekennzeichnet werden.
- Lebensmittel des täglichen Gebrauchs sollten im vorderen Bereich des Fachs aufbewahrt werden.
- Achten Sie darauf, dass die Lebensmittel sortiert gelagert werden (rohes Fleisch mit rohem Fleisch, Milchprodukte mit Milchprodukten), um eine wechselseitige Kontamination zu vermeiden. Rohes Fleisch sollte im unteren Bereich des Kühlschranks aufbewahrt werden, um Tropfen auf nicht gekochten Lebensmitteln zu vermeiden. Andere Lebensmittel sollten über rohem Fleisch gelagert werden.
- Sorgen Sie bei der Lagerung im Bereich für frische Lebensmittel stets für ausreichende Luftzirkulation. So bleiben die Lebensmittel länger haltbar.
- Achten Sie bei der Aufbewahrung von Lebensmitteln im Kühlschrank darauf, dass diese sich nicht zu nah an der Rückwand befinden, da sonst die Gefahr besteht, dass sie einfrieren.
- Bei Radieschen und anderem Wurzelgemüse empfiehlt es sich, die Blätter zu entfernen. So bleiben die Nährstoffe in der Wurzel und werden nicht von den Blättern aufgesogen.
- Legen Sie tiefgefrorene Lebensmittel in den Bereich für frische Lebensmittel, um sie aufzutauen. Die niedrige Temperatur des Kühlschranks reduziert die Bakterienbildung und verlängert die Haltbarkeit von Lebensmitteln.
- Manche Lebensmittel, wie Zwiebeln, Knoblauch und Bananen bewahrt man besser bei Raumtemperatur auf, nicht im Kühlschrank.
- Melonen, Ananas und Bananen können nach der Zubereitung direkt in den Gefrierschrank gelegt und über einen langen Zeitraum aufbewahrt werden.
- Das ordnungsgemäße und hygienische Verpacken von frischen Lebensmitteln und die Auswahl der richtigen Temperatur tragen dazu bei, die Qualität von in diesem Gerät aufbewahrten frischen Lebensmitteln zu verbessern.
- Verwenden Sie Kunststoffbeutel, Alufolie oder andere Folien, um frische, unverpackte Lebensmittel einzuwickeln. So vermeiden Sie Kontamination und das Übertragen von Gerüchen.
- Entfernen Sie bei mehrteiligen Verpackungen (z. B. bei Joghurts) überflüssiges Verpackungsmaterial, bevor Sie diese lagern.
- ▲ Bewahren Sie innerhalb des Geräts NIEMALS entzündliche, flüchtige oder explosive Stoffe auf.
- Getränke mit hohem Alkoholgehalt müssen aufrecht und in fest verschlossenen Flaschen aufbewahrt werden.
- Empfindliche Lebensmittel müssen im kältesten Teil des Geräts aufbewahrt werden.
- Versuchen Sie die Tür nicht zu häufig zu öffnen.
- Stellen Sie den Thermostat so ein, dass die Lebensmittel ordnungsgemäß gekühlt werden; versuchen Sie ein Gefrieren innerhalb des Kühlschranks zu vermeiden. Mit einem Thermometer können Sie die Temperatur des Geräts messen. Stellen Sie es ein paar Stunden lang in einem Glas mit Wasser in das Gerät, um eine zuverlässige Messung zu erhalten.
- Einige Lebensmittel enthalten natürliche Öle und Säuren (z. B. Zitronensäure), welche die Kunststoffteile beschädigen können, wenn sie auslaufen. Achten Sie darauf, dass diese Lebensmittel in geeigneten Behältern aufbewahrt werden.
- Unangenehme Gerüche im Kühlschrank sind ein Zeichen dafür, dass etwas ausgelaufen ist und eine Reinigung erforderlich ist. Die meisten Verschmutzungen im Innenbereich des Geräts können Sie mit einer Natron-Lösung beseitigen (siehe „Reinigung und Wartung“).
- Denken Sie stets daran, verderbliche Lebensmittel aus dem Gerät zu entfernen, bevor Sie für längere Zeit abwesend sind (Urlaub etc.).

## Tipps zum Einfrieren von Lebensmitteln

- Wie auch bei der Aufbewahrung von frischen Lebensmitteln sorgen eine geeignete Verpackung, die richtige Temperatur und Lebensmittelhygiene für eine bessere Qualität der einzufrierenden Lebensmittel.
- Legen Sie keine heißen Lebensmittel in den Gefrierschrank. Lassen Sie sie zuerst auf Raumtemperatur abkühlen.
- Achten Sie darauf, dass alle Lebensmittel, die eingefroren werden sollen, von guter Qualität sind und sich zum Einfrieren eignen.
- Verwenden Sie geruchloses und luftdichtes Verpackungsmaterial (z. B. Kunststoffbeutel) für das Aufbewahren von Lebensmitteln. So können verschiedene Lebensmittel ohne Qualitätsverluste gelagert werden. Achten Sie darauf, dass das Material luftdicht ist. Durch eine undichte Verpackung dehydrieren die Produkte und Vitamine werden zerstört.
- Sorgen Sie dafür, dass die Oberfläche der Verpackung trocken ist. So vermeiden Sie, dass die Packungen zusammenfrieren.
- Kennzeichnen Sie die Packungen mit Inhaltsangaben und dem Datum der Einlagerung.
- Lebensmittel müssen schnell tiefgefroren werden. Daher ist es am besten, möglichst kleine Portionen einzufrieren und sicherzustellen, dass sie vor der Lagerung so kalt wie möglich sind. Das empfohlene maximale Gewicht der einzelnen Portionen beträgt 2,5 kg.
- Trennen Sie frische Lebensmittel von bereits eingefrorenen, wenn Sie jeden Tag Lebensmittel einfrieren. Das erreichen Sie am besten mit kleinen Portionen.
- Achten Sie darauf, dass das maximale Gewicht der in diesem Gerät innerhalb von 24 Stunden einfrierbaren Lebensmittel von insgesamt 10 kg nicht überschritten wird (Informationen hierzu finden Sie auf dem Aufkleber mit technischen Daten).
- Schreiben Sie das Verfallsdatum und die Namen der Lebensmittel auf die Verpackung.
- Nehmen Sie die Lebensmittel zum Abtauen bei Bedarf aus dem Gefrierschrank. Aufgetaute Lebensmittel dürfen nur dann wieder eingefroren werden, wenn sie vorher gekocht wurden.
- Legen Sie nicht zu viele frische Lebensmittel auf einmal in den Gefrierschrank. Dadurch könnte die Gefrierkapazität des Gefrierschranks überschritten werden (siehe „Technische Daten“).
- Wenn Sie bereits kommerziell tiefgefrorene Lebensmittel aufbewahren möchten, gehen Sie bitte wie folgt vor:
  - Beachten Sie stets die Vorgaben des Herstellers hinsichtlich der Aufbewahrungsdauer. Halten Sie sich an diese Vorgaben!
  - Versuchen Sie die Zeitdauer zwischen Kauf und Lagerung so kurz wie möglich zu halten, sodass die Qualität der Lebensmittel nicht beeinträchtigt wird.
  - Kaufen Sie nur tiefgefrorene Lebensmittel, die bei einer Temperatur von mindestens -18 °C oder darunter gelagert wurden.
  - Kaufen Sie keine Lebensmittel, auf deren Verpackung sich Eis gebildet hat. Das ist ein Zeichen dafür, dass diese bereits einmal angetaut waren und wieder eingefroren wurden. Zu hohe Temperaturen beeinträchtigen die Qualität der Lebensmittel.
  - Bei einem Stromausfall oder einem Ausfall der Kühl-/Gefrierkombination für mehr als 5 Stunden müssen Sie wahrscheinlich die Lebensmittel aus dem Gefrierschrank nehmen und möglichst in einem anderen funktionierenden Gefrierschrank oder an einem kalten, sauberen Platz (z. B. in der Garage) aufbewahren, bis die Stromversorgung wieder hergestellt oder das Gerät repariert wurde. Um einen unerwünschten Temperaturanstieg zu vermeiden, sollten Sie die Lebensmittel in einer Kühlbox aufbewahren oder sie mit mehreren Lagen isolierenden Materials einwickeln, wie beispielsweise Zeitungspapier, sodass die Temperatur aufrechterhalten bleibt. Es ist wichtig, dass aufgetaute Lebensmittel entweder sofort nach dem Auftauen verzehrt werden oder gekocht und dann wieder eingefroren werden (wenn sie sich dafür eignen), um Gesundheitsrisiken zu vermeiden.



## 4. Installation

### Aufstellen des Geräts

#### Wahl des geeigneten Standorts

Dieses Gerät sollte in einem gut durchlüfteten Raum aufgestellt werden. Um eine adäquate Lüftung sicherzustellen, achten Sie bitte darauf, dass der Abstand zwischen Kühlschrank und Küchenmöbeln mindestens 10 cm beträgt (Abb. 4-1). Zwischen Elementen, die über dem Gerät angebracht werden und dem Gerät selbst muss ein Abstand von mindestens 10 cm vorgesehen sein, um eine ordnungsgemäße Lüftung sicherzustellen.

Wenn Sie den Kühlschrank in einer Ecke aufstellen, muss ausreichend Platz für das Öffnen der Türen und die Entnahme der Einlegeböden vorgesehen sein (Abb. 4-2).

Zwischen diesem Gerät und einem elektrischen Herd oder einem Gasherd muss ein Abstand von mindestens 100 mm vorgesehen sein, bei einem Kohle- oder Öfen müssen es 300 mm sein. Sorgen Sie für eine geeignete Isolierung, wenn das nicht möglich ist.

Vermeiden Sie es, dass das Gerät direkter Sonneneinstrahlung und Hitzequellen ausgesetzt ist (wie Heizkörper, Heizungen und Herde).

Wenn das Gerät in kalter Umgebung aufgestellt wird (z. B. einem Schuppen, einem Nebengebäude oder einer Garage), beeinträchtigt dies die Leistung. Wenn die Leistung des Geräts nicht gleichbleibend gewährleistet ist, können Lebensmittel verderben. Empfehlenswert ist eine gleichbleibende Umgebungstemperatur von mindestens 10 °C.

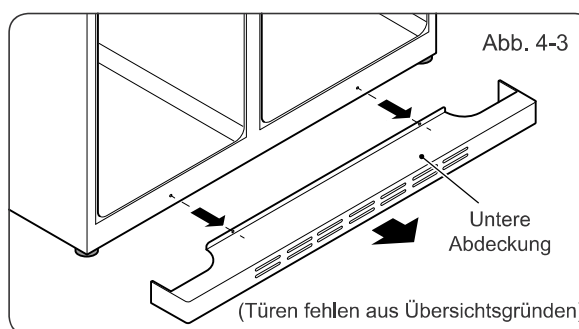
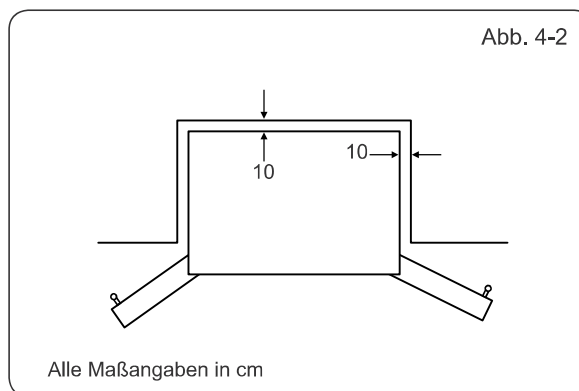
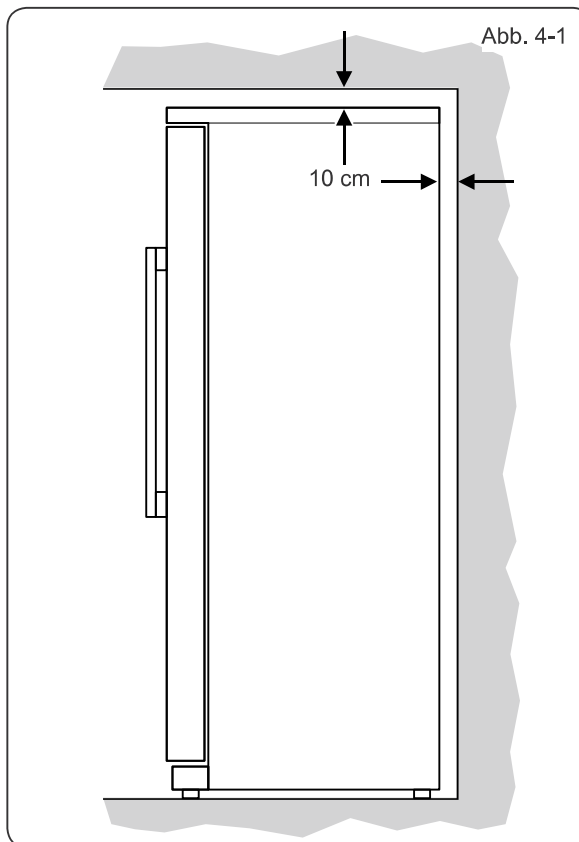


Abb. 4-4

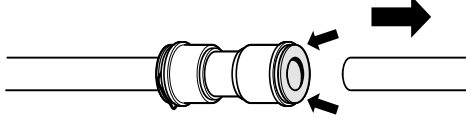


Abb. 4-5

Scharnierabdeckung

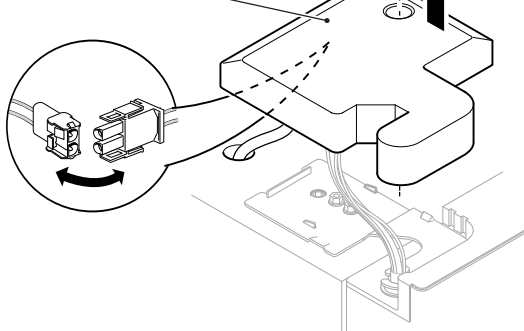


Abb. 4-6

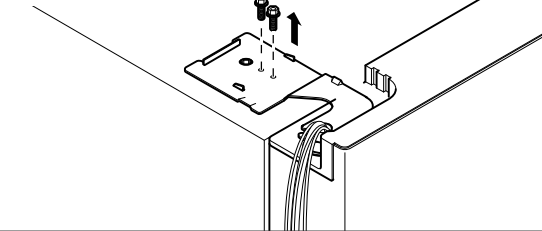


Abb. 4-7

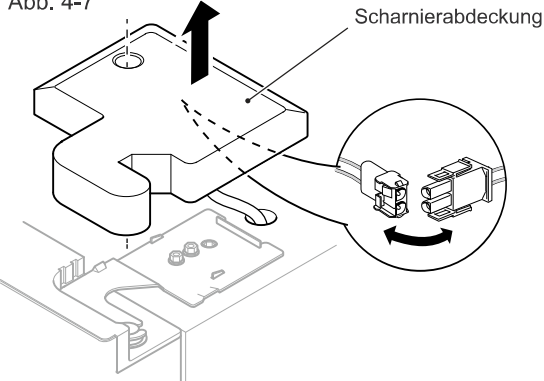
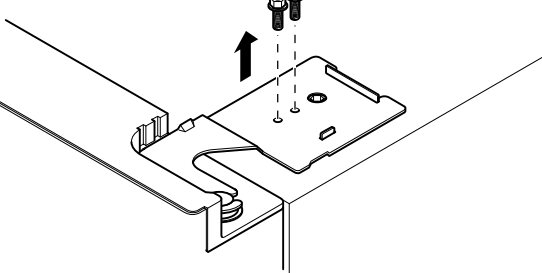


Abb. 4-8



## Aus- und Einbau der Türen

- ▲ Falls Sie die Kühlschranktüren ausbauen müssen, befolgen Sie bitte die unten aufgeführte Anleitung.
- ▲ Zu Ihrer Sicherheit schlagen wir vor, dass Sie mindestens zwei Personen bitten, Ihnen bei den unten aufgeführten Tätigkeiten zu helfen, um Verletzungen, Beschädigungen des Produkts oder sonstige Beschädigungen zu vermeiden.

Lösen Sie die 2 Schrauben während Sie die untere Abdeckung festhalten, und entfernen Sie sie (Abb. 4-3).

Lösen Sie die Wasseranschlusskupplung: Drücken und halten Sie die Manschette, wie dargestellt (Abb. 4-4), und entfernen Sie den Wasserschlauch.

Entfernen Sie die obere Kappe.

### Die Tür des Gefrierschranks

1. Lösen Sie die Schraube der Scharnierabdeckung, und entfernen Sie die Abdeckung (Abb. 4-5). Trennen Sie sämtliche Kabel außer dem Massekabel.
2. Halten Sie das obere Scharnier fest, lösen Sie die Schrauben, und entfernen Sie das Scharnier (Abb. 4-6).
3. Heben Sie die Tür des Gefrierschranks an, und nehmen Sie sie ab. Heben Sie anschließend die Tür soweit an, dass Sie die Wasserleitung vollständig von unten herausziehen können.

### Die Tür des Kühlschranks

1. Lösen Sie die Schrauben der Scharnierabdeckung, und entfernen Sie die Abdeckung (Abb. 4-7). Trennen Sie sämtliche Kabel außer dem Massekabel.
2. Halten Sie das obere Scharnier fest, lösen Sie die Schrauben, und entfernen Sie das Scharnier (Abb. 4-8).
3. Heben Sie die Tür des Kühlschranks an, und nehmen Sie sie ab.

### Einbauen der Tür

Bauen Sie die Türen Schritt für Schritt in umgekehrter Reihenfolge des Ausbaus wieder ein.

## Ausrichten der Kühl-/ Gefrierkombination in der Waagerechten und Einstellen der Türen

Achten Sie darauf, dass das Gerät auf einem festen, ebenen Untergrund steht. Wenn der Kühlschrank auf einen Sockel gestellt wird, müssen flache, solide und feuerfeste Materialien verwendet werden.

Das Gerät ist zum Ausgleichen von Unebenheiten vorne mit verstellbaren Füßen ausgerüstet.

Führen Sie einen geeigneten flachen Schraubendreher in die Schlitzlöcher der verstellbaren Füße ein. Drehen Sie den Schraubendreher im Uhrzeigersinn, um die Füße anzuheben (Abb. 4-9) und gegen den Uhrzeigersinn, um die Füße abzusenken (Abb. 4-10).

## Ausrichten der Türen in der Waagerechten

Die Türen müssen möglicherweise ausgerichtet werden, bevor die Kühl-Gefrierkombination an das Stromnetz angeschlossen wird. Dies wird durch die Einstellung der verstellbaren Füße erreicht (Abb. 4-9 und Abb. 4-10).

Um die linke Tür anzuheben, drehen Sie den linken Fuß im Uhrzeigersinn, bis die Tür in der Waagerechten steht (Abb. 4-11).

Um die rechte Tür anzuheben, drehen Sie den rechten Fuß im Uhrzeigersinn, bis die Tür in der Waagerechten steht.

## Anbringen der Griffe

Die Türgriffe passen auf die Befestigungsbolzen die schon an die Tür angepasst sind. Benutzen Sie den Inbus-Schlüssel aus dem mitgelieferten Werkzeugsatz.

Positionieren Sie die Türgriffe über die Befestigungsbolzen.

Mithilfe des Inbus-Schlüssels ziehen Sie nun die Schraube fest um den Türgriff an die Tür zu fixieren.

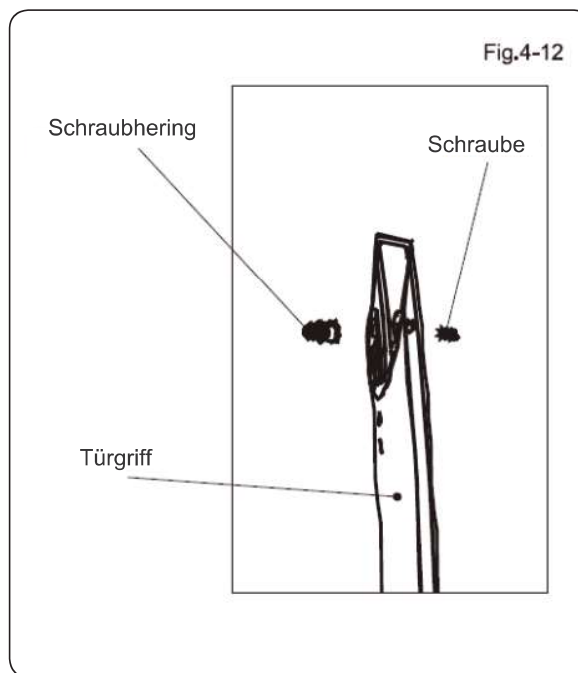
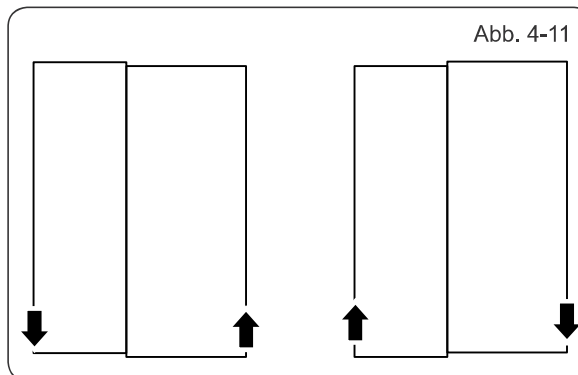
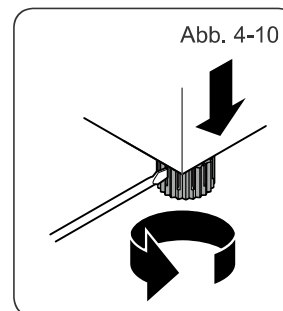
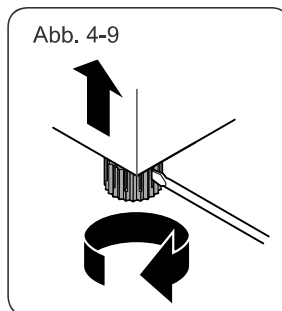
Vermeiden Sie das Überdrehen der Schrauben.

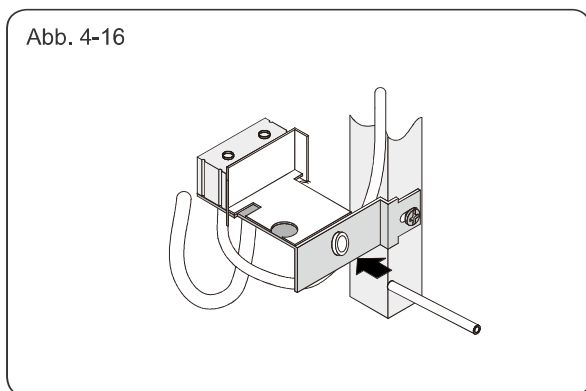
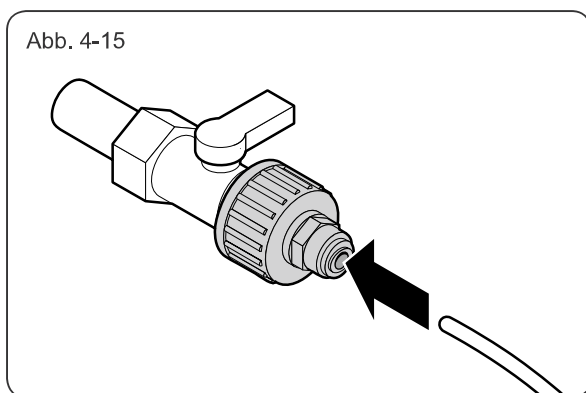
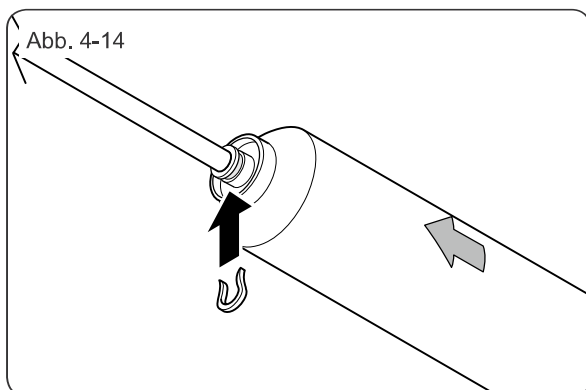
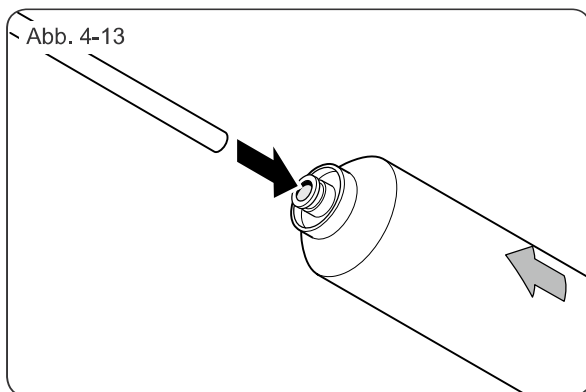
## Anschluss für Stromversorgung

Schließen Sie das Gerät mit dem Stecker und dem Kabel an die Stromversorgung an (220-240 V ~ 50 Hz).

Der Netzanschluss muss gemäß lokaler Vorschriften erfolgen.

- ⚠ Das Gerät muss an eine geerdete Steckdose angeschlossen werden.
- ⚠ Achten Sie darauf, dass der Stecker stets gut erreichbar ist, nachdem das Gerät aufgestellt wurde.





## Anschluss für Wasserzufuhr

⚠ Es wird empfohlen, dass dieses Produkt von einem qualifizierten Techniker aufgestellt wird.

Hinweis: Weitere Informationen zum Aufbau finden Sie in der im Lieferumfang des Wasserfilters enthaltenen Anleitung.

- Der Druck der Kaltwasserzufuhr für den Eiswürfelbereiter liegt zwischen 0,15 und 0,6 MPa.
- Der Wasserschlauch sollte eine angemessene Länge haben (in der Regel 8 m) und nach der Installation an keiner Stelle geknickt sein. Wenn der Wasserschlauch zu lang ist, reduziert sich der Wasserdruck. Dies kann sich negativ auf das Eis- und Kaltwasservolumen auswirken.
- Schließen Sie die Wasserzufuhr NICHT an, wenn die Umgebungstemperatur unter 0 °C liegt, da sonst der Wasserschlauch einfrieren könnte.
- Schließen Sie das Gerät ausschließlich an die Trinkwasserversorgung an.
- Halten Sie den Wasserschlauch von Wärmequellen fern.
- Der Wasserfilter sorgt dafür, dass Verunreinigungen aus dem Wasser gefiltert werden und das Eis sauber und hygienisch aus dem Eiswürfelbereiter kommt. Er ist nicht dafür ausgelegt, in irgendeiner Weise das Wasser zu sterilisieren oder Bakterien abzutöten. Achten Sie also unbedingt darauf, dass der Wasserschlauch an die Trinkwasserversorgung angeschlossen ist.
- Automatisches Wassersystem - fügen Sie manuell kein Wasser hinzu.
- Wenn der Eiswürfelbereiter eingeschaltet und das Gerät nicht an die Wasserversorgung angeschlossen ist, funktioniert der Eiswürfelbereiter nicht.

## Den Wasserfilter einbauen

Messen Sie die erforderliche Länge des Schlauchs vom Filter zur Kühl-Gefrierkombination und vom Filter zur Wasserzufuhr aus. Achten Sie darauf, dass der Schnitt mit einem scharfen Messer senkrecht ausgeführt wird. Stecken Sie ein Ende des Schlauchs in den Wasserfilter (Abb. 4-13).

Befestigen Sie den Schlauch mit einem Sicherungsclip am Filter, den Sie wie dargestellt (Abb. 4-14) in die Nut schieben. Wiederholen Sie diesen Vorgang am anderen Ende des Filters.

Schieben Sie das Ende in den Kunststoffadapter, und befestigen Sie es (Abb. 4-15). Schrauben Sie den Adapter auf einen geeigneten 1/2"-BSP-Wasseranschluss.

Auf der Rückseite des Kühlschranks befindet sich die Ventilbaugruppe für Frischwasser. Drücken Sie den Schlauch in die Ventilbaugruppe (Abb. 4-16).

Öffnen Sie das Frischwasserventil, um den Schlauch zu spülen. Prüfen Sie, ob die Wasserschlauchanschlüsse dicht sind, und lassen Sie das Wasser so lange laufen, bis es klar ist.

## Inbetriebnahme des Wasserbereiters

Drücken Sie vor der ersten Anwendung die Taste für den Wasserbereiter über den Zeitraum von 1 Minute mehrere Male. Drücken Sie nicht länger als 1 Minute, um eine Überhitzung des Aktivierungsmagnets für die Taste zu vermeiden. Dann fließt kaltes Wasser aus der Wasserausgabe.



## 5. Reinigung und Wartung

---

### Abtauen

Dank der Abtauautomatik ist kein manuelles Abtauen erforderlich.

- ⚠ Verwenden Sie KEINE mechanischen Geräte, um den Abtauprozess zu beschleunigen.

### Reinigen

- ⚠ Trennen Sie das Gerät von der Stromversorgung, bevor Sie anfangen, es zu reinigen.

Reinigen Sie Einlegeböden, Gemüsefächer, Behälter und die Wand regelmäßig, um die Geruchsbildung so gering wie möglich zu halten.

Räumen Sie sämtliche Lebensmittel und die Einlegeböden aus dem Gerät.

Reinigen Sie den Innenbereich mit warmem Wasser und Natron mit einem weichen Tuch. Trocknen Sie den Innenbereich anschließend sorgfältig mit einem geeigneten Tuch.

- ⚠ Verwenden Sie KEINE aggressiven Scheuer- oder scharfe Reinigungsmittel, da diese das Innere des Geräts beschädigen.

Einlegeböden und anderes Zubehör (Kunststoff- oder Glasteile) können im Spülbecken mit Spülmittel und warmem Wasser gereinigt werden. Spülen Sie Spülmittelrückstände gut ab und achten Sie darauf, dass alle Teile trocken sind, bevor Sie sie wieder in das Gerät einsetzen.

Achten Sie stets auf saubere Türdichtungen.

- ⚠ Der Kühlschrank ist schwer. Achten Sie beim Transport des Kühlschranks darauf, dass der Boden geschützt ist. Transportieren Sie den Kühlschrank in senkrechter Position und kippen Sie ihn nicht. Dadurch werden Beschädigungen des Bodens vermieden.
- ⚠ Spritzen Sie den Kühlschrank NICHT mit Wasser oder anderen Flüssigkeiten aus. Dadurch könnten die elektrischen Teile beschädigt werden.
- ⚠ Verwenden Sie ein trockenes Tuch, wenn Sie Reinigungsarbeiten in der Nähe von elektrischen Teilen durchführen (wie beispielsweise am Licht oder am Schalter).
- ⚠ Reinigen Sie den Kühlschrank NICHT mit einem harten Gegenstand oder einer Drahtbürste.
- ⚠ Verwenden Sie KEINE organischen Lösungsmittel, wie beispielsweise Zusätze, Benzin, Petroleum, Verdünner, Aceton oder Säure.
- ⚠ Achten Sie darauf, dass Ihre Hände nicht nass sind, wenn Sie die Teile berühren, um zu verhindern, dass Ihre Haut an kalten Geräteteilen „klebt“.
- ⚠ Verwenden Sie KEIN heißes Wasser, um die Glasböden zu reinigen, da diese dadurch beschädigt werden könnten.
- ⚠ Entsorgen Sie nach der Installation eines neuen Wasserfilters das während der letzten 24 Stunden produzierte Eis vollständig.

### Den Kühlschrank ausschalten

Bei einem Stromausfall müssten die Lebensmittel für ca. 5 Stunden sicher gekühlt sein.

Bei einem längeren Stromausfall ist es erforderlich, die Lebensmittel aus dem Gefrierschrank zu nehmen und sie in Zeitungspapier eingewickelt an einem kalten Platz aufzubewahren, um die geeigneten Temperaturen aufrechtzuerhalten.

Wenn die Stromversorgung wieder hergestellt ist, legen Sie die Lebensmittel wieder zurück in das Gefrierfach.

Wenn die Lebensmittel aufzutauen beginnen, oder der Stromausfall länger als erwartet andauert, wird empfohlen, die aus dem Gefrierschrank entnommenen Lebensmittel zu verbrauchen.

Wenn der Stromausfall nur kurz ist, können die meisten Lebensmittel, umgeben von Eiswürfeln aus dem Eisfach, im Gefrierfach verbleiben. So bleibt die Temperatur am besten erhalten. Dies ist auch eine ideale Lösung für angekündigte Stromausfälle.

Legen Sie bei einem wie auch immer gearteten Stromausfall keine weiteren Lebensmittel in den Gefrierschrank.

### Bei Nichtgebrauch

Wenn Sie das Gerät über einen längeren Zeitraum nicht in Gebrauch haben, ist es empfehlenswert, die Stromversorgung abzuschalten, die Lebensmittel zu entnehmen, den Innenbereich des Geräts zu reinigen und die Tür geöffnet zu lassen. Dadurch wird Energie gespart und außerdem vermieden, dass sich im Gerät schlechte Gerüche bilden.

### Wasserfilter

Für eine gute Wasserqualität muss der Filter von Zeit zu Zeit ausgetauscht werden. Wir empfehlen, den Wasserfilter alle 6 Monate auszutauschen. Wenn sich die Wasserqualität allerdings in Aussehen oder Geschmack verschlechtert, muss der Filter früher gewechselt werden.

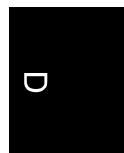
## 6. Fehlerbehebung

Bevor Sie den Kundendienst anrufen, sehen Sie sich bitte die folgende Tabelle an, das könnte Ihnen Zeit und Geld sparen.

Problem	Ursache	Lösung
<b>Die Temperatur ist zu niedrig</b>		
1.1 Die Temperatur im Gefrierschrank ist zu niedrig, für frische Lebensmittel ist sie in Ordnung.	1.1.1 Die Temperatur im Gefrierschrank ist zu niedrig eingestellt.	1.1.1.1 Stellen Sie die Temperatur im Gefrierschrank etwas höher ein, und warten Sie 24 Stunden, bis die gewünschte Temperatur erreicht ist.
1.2 Die Temperatur im Fach für frische Lebensmittel ist zu niedrig, im Gefrierschrank ist sie aber in Ordnung.	1.2.1 Die Temperatur im Bereich für frische Lebensmittel ist zu niedrig eingestellt.	1.2.1.1 Stellen Sie die Temperatur im Bereich für frische Lebensmittel etwas höher ein. Die Temperatur wird sich innerhalb von 24 Stunden angleichen.
1.3 Die Lebensmittel im gesamten Bereich für frische Lebensmittel sind gefroren.	1.3.1 Der Bereich für frische Lebensmittel wird auf eine zu niedrige Temperatur geregelt.	1.3.1.1 Stellen Sie die Regelung für frische Lebensmittel auf eine etwas höhere Temperatur ein. Die neu eingestellte Temperatur wird sich innerhalb von 24 Stunden angleichen.
1.4 Die im Gemüsefach aufbewahrten Lebensmittel sind gefroren.	1.4.1 Das Fach für frische Lebensmittel ist auf eine zu niedrige Temperatur eingestellt.	1.4.1.1 Die Einstellung für frische Lebensmittel auf eine etwas höhere Temperatur bzw. die Einstellung einer niedrigeren Feuchtigkeit verhindert die Bildung von Eis.
1.5 Auf dem Display des Eiswürfelbereiters werden Fehlercodes angezeigt.	1.5.1 Es liegt ein Elektronikproblem vor.	1.5.1.1 Rufen Sie den Servicetechniker an. Dieser wird das Problem diagnostizieren und beheben.
<b>Die Temperatur ist zu hoch</b>		
2.1 Die Temperatur in den Bereichen der Gefrierschubladen bzw. im Fach für frische Lebensmittel ist zu hoch.	2.1.1 Die Türen werden häufig oder zu lange geöffnet.	2.1.1.1 Versuchen Sie die Türen weniger häufig zu öffnen.
	2.1.2 Die Türen werden nicht geschlossen.	2.1.2.1 Achten Sie besonders darauf, dass die Dichtungen die Türen sauber abdichten. Die Dichtungen müssen sauber und frei von Verschmutzungen sein.
2.2 Die Temperatur im Gefrierschrank ist zu hoch, im Bereich für frische Lebensmittel aber in Ordnung.	2.2.1 Die Temperatur im Gefrierschrank ist zu hoch eingestellt.	2.2.1.1 Stellen Sie die Temperatur für den Gefrierschrank niedriger ein. Die Temperatur wird innerhalb von 24 Stunden auf den neu eingestellten Wert gesenkt.
2.3 Die Temperatur im Bereich für frische Lebensmittel ist zu hoch, im Gefrierschrank aber in Ordnung.	2.3.1 Die Temperatur im Bereich für frische Lebensmittel ist zu hoch.	2.3.1.1 Regeln Sie die Temperatur für frische Lebensmittel etwas nach unten. Die neu geregelte, niedrigere Temperatur wird innerhalb von 24 Stunden erreicht.
2.4 Die Temperatur im Gemüsefach ist zu hoch.	2.4.1 Die Temperatureinstellung für frische Lebensmittel ist zu hoch.	2.4.1.1 Stellen Sie die Temperatur für das Gemüsefach auf einen niedrigeren Wert ein. Dieser wird innerhalb von 24 Stunden erreicht.
<b>Wasser, Feuchtigkeit bzw. Eisbildung im Kühlschrank</b>		
3.1 Bildung von Feuchtigkeit im Innern des Kühlschranks.	3.1.1 Er steht in einer warmen oder feuchten Umgebung.	3.1.1.1 Versuchen Sie die Temperatur im betroffenen Fach leicht heraufzusetzen.
	3.1.2 Die Tür wurde nicht geschlossen.	3.1.2.1 Prüfen Sie, ob die Türdichtungen sauber sind und ordnungsgemäß gegen den Metallrahmen des Schanks abdichten.
	3.1.3 Die Tür oder das Fach werden häufig oder zu lange geöffnet.	3.1.3.1 Öffnen Sie die Tür nicht so oft.
	3.1.4 Lebensmittelbehälter oder Flüssigkeiten sind nicht verschlossen.	3.1.4.1 Lassen Sie heiße Lebensmittel auf Raumtemperatur abkühlen, und verschließen Sie Lebensmittelbehälter und Flüssigkeiten.
3.2 Im unteren Bereich des Gemüsefachs sammeln sich Tropfen.	3.2.1 Die Feuchtigkeit ist zu hoch eingestellt.	3.2.1.1 Es ist normal, dass sich im integrierten Gemüsefach etwas Feuchtigkeit ansammelt. Um die Feuchtigkeit zu reduzieren, stellen Sie die Feuchtigkeit niedriger bzw. die Temperatur im Fach für frische Lebensmittel höher ein.

Problem	Ursache	Lösung
3.3 An der Unterseite der Glasabdeckungen des Gemüsefachs bilden sich Wassertropfen.	3.3.1 Nasse Lebensmittel geben Feuchtigkeit ab. 3.3.2 Die Türdichtung ist undicht, oder die Tür wird in einer feuchten Umgebung häufig geöffnet.	3.3.1.1 Bevor Sie Lebensmittel in den Kühlschrank legen, trocknen Sie sie mit einem Tuch ab, um überschüssige Feuchtigkeit zu entfernen. 3.3.2.1 Prüfen Sie die Türdichtungen, und öffnen Sie die Tür nicht so häufig. Möglicherweise hilft es, die Temperatur für die frischen Lebensmittel heraufzusetzen.
Wasser/Feuchtigkeit/Eisbildung an der Außenseite des Kühlschranks		
4.1 Durch feuchte Luft werden Wassertropfen an der Außenseite des Kühlschranks gebildet.	4.1.1 Warme, feuchte Umgebungsluft kondensiert an den kühleren Bereichen der Türdichtungen der Fächer für frische Lebensmittel und des Gefrierschranks.	4.1.1.1 Es ist normal, dass sich etwas Feuchtigkeit bildet. Am besten wischen Sie sie mit einem Tuch ab, um die Kühlleistung zu verbessern. 4.1.1.2 Ein leichter Anstieg der Temperatur in den Fächern kann diese Feuchtigkeitsbildung reduzieren. 4.1.1.3 Prüfen Sie, ob die Türdichtung sauber ist und ordnungsgemäß abdichtet.
Automatischer Eiswürfelbereiter		
5.1 Der Eiswürfelbereiter funktioniert nicht korrekt.	5.1.1 Die Eiswürfel kleben aneinander fest. 5.1.2 Die Eiswürfel können aneinander festkleben, wenn sie zu lange im Gefrierfach lagen.	5.1.1.1 Nehmen Sie den Klumpen mit den Eiswürfeln heraus, zerstoßen sie ihn, und legen Sie die einzelnen Eiswürfel wieder in den Eiswürfelbehälter. 5.1.2.1 Siehe 5.1.1.1 oben.
5.2 Die Eiswürfel sind zu groß oder zu klein.	5.2.1 Die Wasserzufuhr zum Eiswürfelbereiter ist falsch eingestellt.	5.2.1.1 Stellen Sie die Wasserzufuhr für den Eiswürfelbereiter neu ein.
Kaltwasser- und Eiswürfelbereiter		
6.1 Es fließt kein kaltes Wasser.	6.1.1 Die Tür des Kühlschranks oder des Gefrierschranks ist nicht vollständig geschlossen. Die Wasserleitung ist nicht aufgedreht. 6.1.2 Der Wasserfilter ist verstopft. 6.1.3 Die Wasserleitung ist verstopft.	6.1.1.1 Schließen Sie sämtliche Türen der Kühl-/Gefrierkombination. Öffnen Sie die Wasserzufuhr. 6.1.2.1 Tauschen Sie den Wasserfilter aus. 6.1.3.1 Überprüfen Sie, ob sich bei den Wasserschläuchen ein Knick gebildet hat oder eine sonstige Einschränkung vorliegt.
6.2 Das Wasser hat einen merkwürdigen Geruch.	6.2.1 Das Wasser ist abgestanden und wurde zu lange nicht benutzt. 6.2.2 Das Trinkwasser vor Ort ist nicht in Ordnung.	6.2.1.1 Füllen Sie 7 Tassen mit Wasser, und schütten Sie es weg. Überprüfen Sie, ob der Geruch sich verbessert hat. 6.2.1.2 Wenden Sie sich an Ihren örtlichen Wasserversorger, und lassen Sie das Wasser überprüfen.
6.3 Aus dem Eisspender kommt kein Eis.	6.3.1 Der Gefrierschrank oder der Kühlschrank ist nicht vollständig geschlossen. Es sind keine Eisstücke im Eisbehälter. 6.3.2 Die Temperatur für den Gefrierschrank ist zu hoch eingestellt.	6.3.1.1 Schließen Sie alle Türen des Geräts. 6.3.2.1 Warten Sie, bis die Eiswürfel herauskommen. 6.3.3.1 Stellen Sie die Temperatur des Gefrierschranks niedriger ein, um die Leistung des Eiswürfelbereiters zu verbessern.
6.4 Der Eiswürfelbereiter ist blockiert.	6.4.1 Auf der Spindel ist abgetautes Wasser eingefroren. 6.4.2 Die Eiswürfel sitzen zwischen dem Eiswürfelbereiter und Eiswürfelbehälter fest. Die Eiswürfel kleben aneinander. 6.4.3 Im Eiswürfelbereiter befinden sich andere Eiswürfel.	6.4.1.1 Nehmen Sie den Behälter heraus, Reinigen und trocknen Sie die Spindel. Setzen Sie den Behälter wieder ein. 6.4.2.1 Nehmen Sie die Eiswürfel zwischen dem Eiswürfelbereiter und Behälter heraus. 6.4.3.1 Nehmen Sie den Klumpen mit den Eiswürfeln heraus, zerstoßen sie ihn, und legen Sie die einzelnen Eiswürfel in den Eiswürfelbehälter zurück. 6.4.4.1 Der Eiswürfelbereiter kann nur Eiswürfel ausgeben, die in ihm selbst hergestellt wurden.

Problem	Ursache	Lösung
Der Kühlschrank riecht unangenehm.		
7.1 Der Kühlschrank ist innen verschmutzt.	7.1.1 Die Innenwände, Ablageflächen und Türfächer müssen gereinigt werden.	7.1.1.1 Reinigen Sie alle Innenflächen mit warmem Wasser und einem weichen, feuchten Tuch, und wischen Sie sie anschließend trocken.
	7.1.2 Im Kühlschrank wurden Lebensmittel gelagert, deren Haltbarkeit abgelaufen ist.	7.1.2.1 Wickeln Sie Lebensmittel ein, oder decken Sie sie ab, um ihre Haltbarkeit zu verlängern.
Die Tür lässt sich nur schwer öffnen und/oder schließen.		
8.1 Bei der Tür tritt ein Problem beim Schließen auf.	8.1.1 In der Tür befinden sich Lebensmittel oder Verpackungen, die das Schließen der Tür verhindern.	8.1.1.1 Richten Sie die Ablageflächen, Türfächer oder die inneren Behälter neu aus, bis die Tür sich schließen lässt.
	8.1.2 Der Kühlschrank steht nicht eben, wodurch sich die Tür nicht in ihrer richtigen Position befindet.	8.1.2.1 Vergewissern Sie sich, dass der Boden eben ist und aus nicht entflammaren Materialien besteht.
	8.1.3 Die Tür kann gegen angrenzende Schränke oder Geräte schlagen.	8.1.3.1 An allen drei Seiten und über dem Gerät sollte ein Abstand von ca. 25 mm (1") eingehalten werden, damit sich die Türen einwandfrei öffnen und schließen lassen.
Allgemeines		
9.1 Der Kompressor funktioniert nicht.	9.1.1 Der Kühlschrank ist im Tiefkühlmodus.	9.1.1.1 Dieser Zustand ist bei einem Kühlschrank, bei dem der Tiefkühlmodus automatisch einsetzt, normal. Der Zeitraum für die Tiefkühlung dauert ca. 30 Minuten.
	9.1.2 Der Kühlschrank ist nicht eingeschaltet.	9.1.2.1 Vergewissern Sie sich, dass der Netzstecker in der Steckdose ist. 9.1.2.2 Wurde der Schutzschalter ausgelöst? Überprüfen Sie dies, und setzen Sie eine neue 13 A-Sicherung ein, und/oder schalten Sie den Schutzschalter wieder ein. 9.1.2.3 Überprüfen Sie die Stromversorgung für den Raum. Wenden Sie sich an Ihren Stromversorger.
9.2 Der Kühlschrank ist häufig oder über eine lange Zeit in Betrieb.	9.2.1 Die Zimmertemperatur oder die Umgebungstemperatur ist hoch.	9.2.1.1 Es ist normal, wenn der Kühlschrank ständig in Betrieb ist.
	9.2.2 Der Eiswürfelbereiter ist in Betrieb.	9.2.2.1 Dies ist normal – der Eiswürfelbereiter ist für den Kühlschrank eine zusätzliche Arbeitsbelastung.
	9.2.3 Die Türen werden häufig geöffnet und geschlossen.	9.2.3.1 Versuchen Sie, die Türen oder Schubladen nicht zu häufig zu öffnen.
	9.2.4 Die Kontrolleinstellungen für den Kühlschrank, und die Gemüsefächer sind auf kalt eingestellt.	9.2.4.1 Erhöhen Sie die Temperatur in dem Fach geringfügig, und warten Sie 24 Stunden, bis sich die Temperatur angepasst hat.
	9.2.5 Die Türabdichtungen können verschmutzt oder ausgefranst sein oder Risse haben.	9.2.5.1 Reinigen Sie die Dichtungen, und/oder erwärmen Sie sie leicht mit einem Haarföhn, damit sie sich wieder an den Metallrahmen anlegen.
9.3 Der Kompressor schaltet sich häufig an und aus.	9.3.1 Die Temperatursensoren sorgen dafür, dass die eingestellte Temperatur für das Fach stabil bleibt. Hierzu wird der Kompressor eingesetzt.	9.3.1.1 Dies ist normal. Der Kompressor des Kühlschranks sorgt für eine gleichbleibende Kühltemperatur.
10.1 Das Licht ist aus.	10.1.1 Der Lichtschalter ist durch Rückstände oder Lebensmittelreste blockiert.	10.1.1.1 Ziehen Sie den Netzstecker heraus. Suchen Sie den Lichtschalter an der Innenseite, und schalten Sie ihn mehrmals an und aus, damit die Lebensmittelrückstände sich lösen.
	10.1.2 Der Kühlschrank ist ausgeschaltet.	10.1.2.1 Vergewissern Sie sich, dass der Netzstecker ordnungsgemäß an die Steckdose angeschlossen ist.
11.1 Im Inneren des Kühl- oder Gefrierschranks ertönt ein piepender Ton.	11.1.1 Eine der Türen ist seit über 60 Sekunden offen.	11.1.1.1 Dieser Signalton ist normal und wird jede Minute wiederholt, bis die Tür geschlossen wird.



## 7. Technische Daten

---

### Betriebswerte

Modell	HRF-628A*6/HRF-628I*6
Spannung/Frequenz	220-240 V 50 Hz
Energieeffizienzklasse	A+
Klimaklasse	SN-N-ST
Gefrierfach/Kategorie (Sterne)	*/***
Kühlschrank	R600a 80g
Gesamtkapazität	610 Liter
Nettokapazität	550 Liter
Nettokapazität – Kühlschrank	375 Liter
Nettokapazität – Gefrierschrank	175 Liter
Gefrierkapazität/24 Stunden	10 kg/24 Stunden
Stromverbrauch/Jahr	420 kW·h/Jahr
Stromverbrauch (EN153)	1,15 kW·h/24 Stunden
Maximaler Geräuschpegel	42 dB(A)
Maximale Lagerzeit bei Stromausfall	5 Stunden
Kapazität des Eiswürfelbereiters	1 kg/24 Std.

Modell	HRF-630A*7/HRF-630I*7
Spannung/Frequenz	220-240 V 50 Hz
Energieeffizienzklasse	A++
Klimaklasse	SN-N-ST-T
Gefrierfach/Kategorie (Sterne)	*/***
Kühlschrank	R600a 80g
Gesamtkapazität	610 Liter
Nettokapazität	550 Liter
Nettokapazität – Kühlschrank	375 Liter
Nettokapazität – Gefrierschrank	175 Liter
Gefrierkapazität/24 Stunden	10 kg/24 Stunden
Stromverbrauch/Jahr	355 kW·h/Jahr
Stromverbrauch (EN153)	0.97kW h/24 Stunden
Maximaler Geräuschpegel	42 dB(A)
Maximale Lagerzeit bei Stromausfall	5 Stunden
Kapazität des Eiswürfelbereiters	1 kg/24 Std.

---

## Avant d'utiliser l'appareil pour la première fois

Utilisation prévue : cet appareil a été conçu exclusivement pour une utilisation domestique en intérieur, dans un endroit sec. Toute autre utilisation est impropre et peut entraîner des blessures pour lesquelles le fabricant décline toute responsabilité.

### *A faire...*

Assurez-vous que la prise n'est pas coincée sous le réfrigérateur. Lors du débranchement du réfrigérateur, veillez à tenir la prise et non le câble.

Veillez à ne pas rouler sur le cordon d'alimentation ou l'endommager en éloignant le réfrigérateur du mur. Veillez à ce que la prise ne soit pas endommagée ; si tel est le cas, coupez si possible l'alimentation électrique et débranchez-la soigneusement, puis consultez un agent de service après-vente habilité à assurer son remplacement.

Assurez-vous qu'il n'y a pas de fuite de gaz ou d'autre gaz inflammable à proximité du réfrigérateur. En cas de fuite, fermez le robinet de gaz, ouvrez les portes et les fenêtres, mais ne branchez/débranchez pas les cordons d'alimentation du réfrigérateur ni des autres appareils électriques.

Débranchez le réfrigérateur pour le nettoyage ou l'entretien ou en cas de remplacement de la lampe.

Ouvrez les portes à l'aide de la poignée. Attention : l'écart entre les portes pouvant être très étroit, évitez de vous coincer les doigts.

Une fois le réfrigérateur débranché, attendez au moins 5 minutes avant de le redémarrer, car des démarrages fréquents endommagent le compresseur.

Veillez à ne pas obstruer les orifices d'aération.

Lors de la mise au rebut du réfrigérateur, afin d'éviter qu'un enfant ne s'enferme accidentellement dans l'appareil, veillez à démonter les portes, les joints de porte et les clayettes du réfrigérateur, et rangez-les dans un lieu approprié.

Le réfrigérateur doit être positionné dans un endroit bien ventilé et proche d'une source d'eau potable.

Veillez à laisser un espace d'au moins 20 cm et 10 cm, respectivement au-dessus et autour du réfrigérateur.

L'appareil doit être installé de telle façon que la fiche reste accessible.

### *A ne pas faire...*

Le réfrigérateur est alimenté par une source d'alimentation électrique de 220-240 VCA/50 Hz. Le raccordement du réfrigérateur à une tension incorrecte ou fluctuante peut empêcher le démarrage du réfrigérateur, endommager le régulateur de température ou le compresseur, voire entraîner des bruits anormaux lors du fonctionnement du compresseur. Dans ce cas, un régulateur automatique doit être installé.

Le réfrigérateur doit être branché sur une prise de terre dédiée. Le câble d'alimentation du réfrigérateur est muni d'une prise mâle à trois contacts (avec mise à la terre) convenant à une prise femelle du même type. Ne coupez et ne désassemblez jamais la troisième broche (mise à la terre). Une fois le réfrigérateur installé, la prise doit être accessible.

N'entrez jamais de matières inflammables, explosives ou corrosives dans le réfrigérateur. Ne stockez pas de médicaments, de bactéries ni de produits chimiques dans le réfrigérateur. Ce réfrigérateur est un appareil ménager. Il n'est pas recommandé d'y entreposer des matières qui nécessitent une température rigoureuse.

N'entrez pas et n'utilisez pas d'essence ou d'autres matières inflammables à proximité du réfrigérateur afin d'éviter un incendie. Ne placez pas d'objets instables (objets lourds, récipients remplis de liquides) sur le réfrigérateur pour éviter toute blessure suite à la chute de ces objets ou à une décharge électrique causée par le contact avec de l'eau.

Ne vous suspendez pas à la porte ou aux casiers à bouteilles situés dans la porte. Vous risqueriez de détacher la porte du montant, d'arracher le casier à bouteilles ou de faire basculer le réfrigérateur.

Ne vous appuyez pas sur la porte du compartiment de stockage du congélateur, sur les clayettes ou sur le cadre lors du remplissage ou du retrait de nourriture et de boissons.

Ne touchez pas la surface intérieure du compartiment de stockage du congélateur lorsque celui-ci fonctionne, en particulier avec les mains mouillées, car celles-ci pourraient adhérer à la surface et geler.

Ne vaporisez pas d'eau sur le réfrigérateur et ne le rincez pas non plus. Ne placez pas le réfrigérateur dans un endroit humide ou exposé aux éclaboussures, car cela pourrait avoir un impact sur la performance de son isolation électrique. Nettoyez et séchez les éclaboussures d'eau et les taches avec un chiffon doux et propre. Tout démontage ou toute modification du réfrigérateur doit faire l'objet d'une autorisation. Toute manipulation brusque ou violente du réfrigérateur peut endommager les tuyaux de refroidissement. Elle peut entraîner des dommages matériels ou corporels. Toute réparation du réfrigérateur doit être effectuée par un personnel qualifié.

N'entrez jamais de bière ni d'autres boissons en bouteille dans le congélateur, car celles-ci éclateraient lors de la congélation.

N'exposez pas le réfrigérateur à la lumière directe du soleil et ne le placez pas dans un endroit exposé à la chaleur de cuisinières, radiateurs ou autres appareils.

Ne laissez pas les portes du réfrigérateur ouvertes sans la présence d'un adulte, et ne laissez pas un enfant entrer dans le réfrigérateur.

Ne laissez pas de bébés ou de jeunes enfants grimper dans le bac du congélateur.

N'utilisez pas d'appareils électriques à l'intérieur du réfrigérateur, sauf s'ils correspondent au type recommandé par le fabricant. N'endommagez pas le circuit de réfrigération.

N'utilisez pas de sèche-cheveux pour sécher l'intérieur du réfrigérateur. Ne placez pas de bougies allumées dans le réfrigérateur pour éliminer les odeurs.

Ne vaporisez pas de produits volatils comme un insecticide sur la surface de l'appareil.

N'ouvrez et ne fermez les portes du réfrigérateur qu'en l'absence d'enfants dans le rayon d'action de la porte.

Cet appareil n'est pas destiné à être utilisé par des personnes (y compris des enfants) aux capacités physiques, sensorielles ou mentales réduites, ni par des personnes dénuées de l'expérience ou des connaissances nécessaires, sauf si elles ont pu bénéficier, par l'intermédiaire d'une personne responsable de leur sécurité, d'une supervision ou d'instructions préalables concernant l'utilisation de l'appareil.

Ne stockez pas trop de nourriture dans le compartiment de congélation afin d'éviter un fonctionnement prolongé du compresseur ou la chute d'aliments. Il est conseillé de ne pas dépasser la charge maximale recommandée pour les bacs. Le poids total de la nourriture ne doit pas dépasser 30 kg. Pour éviter toute chute d'aliments, il convient de ne pas tirer trop brusquement sur le bac du congélateur et de ne pas le faire basculer.

N'utilisez pas d'appareils mécaniques ou tout autre moyen pour accélérer le dégivrage, à l'exception de ceux recommandés par le fabricant.

En cas de problème avec la lumière du réfrigérateur, veuillez contacter notre service après-vente pour le traitement, les utilisateurs ne peuvent pas la remplacer eux-mêmes.

---



# Table des matières

---

<b>1. Avant de commencer</b>	<b>1</b>	<b>4. Installation</b>	<b>15</b>
Sécurité	1	Positionnement de l'appareil	15
Informations relatives au gaz réfrigérant	2	Démontage et installation des portes	16
Préservation de l'environnement	2	Nivellement et ajustement des portes du réfrigérateur-congélateur	17
<b>2. A propos de votre réfrigérateur</b>	<b>3</b>	Nivellement des portes	17
A propos du compartiment produits frais	5	Montage des poignées	17
A propos du compartiment de congélation	6	Raccordement à l'alimentation électrique	17
Le distributeur de glace/d'eau	7	Raccordement à l'alimentation en eau	18
Minibar	7	<b>5. Nettoyage et entretien</b>	<b>19</b>
Fonctionnement du réfrigérateur-congélateur	9	Dégivrage	19
Utilisation du distributeur d'eau et de glace	12	Nettoyage	19
Sécurité	12	Arrêt du réfrigérateur	19
Décongélation automatique	12	Absence d'utilisation	19
Fonction d'alarme	12	Filtre à eau	19
Désactivation de l'écran	12	<b>6. Dépannage</b>	<b>20</b>
<b>3. Conseils pour le stockage des denrées alimentaires</b>	<b>13</b>	<b>7. Informations techniques</b>	<b>23</b>
Conseils pour le stockage des produits frais	13		
Conseils pour la congélation des aliments	14		

- Avant de commencer l'installation, prenez soin de lire le mode d'emploi.
- Conservez le mode d'emploi en lieu sûr.
- Veillez à ne pas obstruer les orifices d'aération, que ce soit dans l'enceinte de l'appareil ou dans la structure intégrée.
- N'utilisez pas d'appareil mécanique ou tout autre moyen pour accélérer le dégivrage qui ne soit pas recommandé par le fabricant.
- Veillez à ne pas endommager le circuit de réfrigération.
- N'utilisez pas d'appareil électrique dans les compartiments de rangement des aliments de l'appareil, sauf s'ils sont du type d'appareil recommandé par le fabricant.
- Dans le cadre de notre politique d'amélioration permanente, nous nous réservons le droit de modifier certaines caractéristiques techniques sans préavis.

# 1. Avant de commencer

---

Merci d'avoir choisi cet appareil de réfrigération et de congélation. Nous espérons qu'il apportera une solution élégante et pratique à vos besoins en matière de refroidissement. Veuillez lire ce manuel avant d'utiliser votre nouveau réfrigérateur congélateur. Veuillez conserver ce manuel en lieu sûr et transmettez-le à tout nouveau propriétaire. Nous espérons que ce manuel fournira toutes les informations dont vous avez besoin. En cas de doute, n'hésitez pas à nous contacter (voir la section Garantie pour les informations relatives au Service client).

- ▲ **AVERTISSEMENT !** Cet appareil doit être mis à la terre.
- ▲ Veuillez laisser l'appareil au repos pendant au moins six heures. Cela permettra au système de refroidissement de se régler après le déplacement de l'appareil.
- ▲ Veuillez à ce qu'une personne qualifiée installe cet appareil.
- ▲ Le compartiment de congélation bénéficie d'une note de 4 étoiles.
- ▲ Cet appareil est destiné à l'usage domestique exclusivement. Toute autre utilisation est susceptible d'annuler la garantie ou toute action en responsabilité.
- Avant de relier l'appareil à l'alimentation électrique, lavez l'intérieur de l'appareil à l'eau chaude et au bicarbonate de sodium, puis essuyez-le soigneusement.
- Vérifiez qu'aucune pièce de l'appareil n'est endommagée, notamment les parties du système de refroidissement, les tuyaux ou les câbles. En cas de dommage, **N'INSTALLEZ PAS** l'appareil ; contactez plutôt un technicien qualifié ou le service client.
- Si les accessoires de l'appareil se sont déplacés au cours du transport, replacez-les conformément aux instructions.
- Vérifiez que l'alimentation électrique de votre prise convient à cet appareil (les informations concernant l'alimentation requise se trouvent sur l'étiquette de l'appareil). L'étiquette de données se trouve à l'intérieur de l'appareil (compartiment supérieur du réfrigérateur).
- Une fois l'appareil installé, lavé, essuyé et laissé au repos après le déplacement, il peut être branché et allumé.

## Sécurité

- ▲ **AVERTISSEMENT !** Utilisez de l'eau potable exclusivement avec cet appareil.
- ▲ **AVERTISSEMENT !** Veuillez à ne pas obstruer cet appareil.

- ▲ Veuillez à **NE PAS** endommager le circuit de réfrigération. S'il devait s'endommager, n'utilisez pas l'appareil.
- ▲ **AVERTISSEMENT ! N'UTILISEZ PAS** d'appareil mécanique (sèche-cheveux, etc.) pour dégivrer cet appareil.
- ▲ **AVERTISSEMENT !** Les conduites d'eau et de glace **DOIVENT** être vidangées avant utilisation. Consultez la section « Distributeur de glace/d'eau » de ce manuel.
- Lorsque vous remplacez d'anciens appareils, vérifiez que vous avez désactivé les mécanismes de verrouillage avant leur mise au rebut. Il peut être utile de retirer la porte de l'appareil afin d'empêcher que des enfants ne se retrouvent coincés à l'intérieur.
- L'appareil doit être correctement relié à l'alimentation électrique. Un mauvais contact, une prise endommagée et des fils dénudés constituent un risque d'incendie. Vérifiez que toutes les connexions sont solides.
- Avant de commencer toute opération d'entretien ou réparation mineure, débranchez l'appareil de l'alimentation électrique. Cela concerne également le nettoyage et le changement des ampoules.
- **NE TOUCHEZ PAS** les surfaces froides de l'appareil lorsqu'il est en marche, vos mains pourraient adhérer et subir des brûlures de congélation.
- Lorsque vous déplacez l'appareil, veillez à ne pas endommager les câbles, les tuyaux ou le condenseur. Si ces pièces devaient s'endommager, contactez un technicien qualifié.
- Les liquides effervescents (boissons gazeuses) ne doivent en aucun cas être congelés. Leur volume augmente en cours de congélation, ce qui peut briser ou faire exploser les bouteilles/contenants.
- Les aliments destinés à être d'abord décongelés ou cuits, tels que le pain ou la viande, ne peuvent être consommés congelés.
- Si les aliments ont un aspect ou une odeur suspecte, ne les consommez pas. Dans le doute, jetez-les.
- N'utilisez jamais d'instrument tranchant ou métallique pour gratter la glace de la surface de cet appareil. N'utilisez que des instruments destinés à cet usage (radloir en plastique) et avec précaution, de manière à ne pas endommager le revêtement de l'appareil.
- Le système de refroidissement contient un réfrigérant et des huiles qui sont nocifs pour la santé en cas de fuite. Dans une telle éventualité, débranchez l'appareil et aérez la pièce. Assurez-vous que vos yeux ne puissent pas entrer en contact avec l'agent réfrigérant. Contactez un technicien qualifié ou faites évacuer l'appareil.

## Sécurité électrique

- Le raccordement à l'alimentation doit être conforme aux réglementations locales.
- La prise DOIT être accessible une fois l'appareil installé.
- Vérifiez que le réfrigérateur ne coince pas le cordon électrique.
- Ne marchez pas sur le cordon.
- Veillez à ne pas endommager le cordon électrique lorsque vous déplacez le réfrigérateur.

### Cordon électrique endommagé

Si le cordon électrique est endommagé ou usé, éteignez le réfrigérateur et consultez un représentant agréé en vue de son remplacement.

## Informations relatives au gaz réfrigérant

**IMPORTANT** : cet appareil est livré avec un gaz réfrigérant, l'ISOBUTANE (R600a). Lorsque vous déplacez l'appareil, veillez à ce qu'il ne soit pas trop heurté ou secoué. Cela pourrait l'endommager.

Si le circuit de réfrigération devait être endommagé, impliquant d'éventuelles fuites de gaz réfrigérant, un risque d'explosion pourrait survenir en raison d'étincelles ou flammes extérieures.

### En cas de fuite accidentelle

Laissez la substance s'évaporer en veillant à bien ventiler la pièce.

### Comportement du gaz

Ce gaz réfrigérant est hautement inflammable. Ne le laissez pas entrer en contact avec des surfaces chaudes ou des flammes nues. Le gaz R600a est plus lourd que l'air : s'il est relâché, il constitue une forte concentration au niveau du sol, où la ventilation est faible.

### Premiers soins

#### Inhalation

Evacuez la personne exposée de la zone polluée vers une pièce chaude et bien ventilée.

Une exposition prolongée peut provoquer un début d'asphyxie et d'éventuelles pertes de connaissance. Si nécessaire, pratiquez la respiration artificielle et, pour les cas les plus graves, administrez de l'oxygène sous strict contrôle médical.

#### Contact avec la peau

En général, un contact occasionnel avec la peau n'est pas dangereux. En cas de contact avec la peau, lavez soigneusement la zone touchée.

Les éclaboussures et pulvérisations peuvent provoquer des brûlures de congélation. Lavez la partie touchée à grande eau et appelez un médecin pour soigner les éventuelles brûlures.

#### Contact avec les yeux

Lavez à grande eau, les paupières bien ouvertes et appelez un médecin spécialiste dès que possible.

Dans tous les cas, si vous inhalez ou entrez en contact avec le gaz R600a, nous vous recommandons de consulter un médecin.

## Préservation de l'environnement

### Mise au rebut de l'emballage

Votre nouveau réfrigérateur était protégé par un emballage approprié lors de son transport. Tous les matériaux utilisés peuvent être éliminés en respectant l'environnement et sont recyclables. Veuillez contribuer à protéger l'environnement en mettant l'emballage au rebut de manière appropriée.

### Mise au rebut de votre ancien réfrigérateur



Ce symbole sur le produit ou son emballage indique que le produit ne peut être traité comme un déchet ménager. Il doit au contraire être confié à votre centre local de collecte/recyclage des déchets.

Les anciens appareils ont toujours une valeur résiduelle. Une méthode de mise au rebut respectueuse de l'environnement permettra de récupérer les matières premières utiles et de les réutiliser.

Lorsqu'un appareil a atteint sa fin de vie utile, débranchez-le. Coupez le cordon de secteur et mettez-le au rebut avec la prise.

Faites en sorte que la porte soit impropre à l'utilisation (en retirant les joints) ou retirez la porte, de manière à ce que les enfants ne puissent pas s'y enfermer.

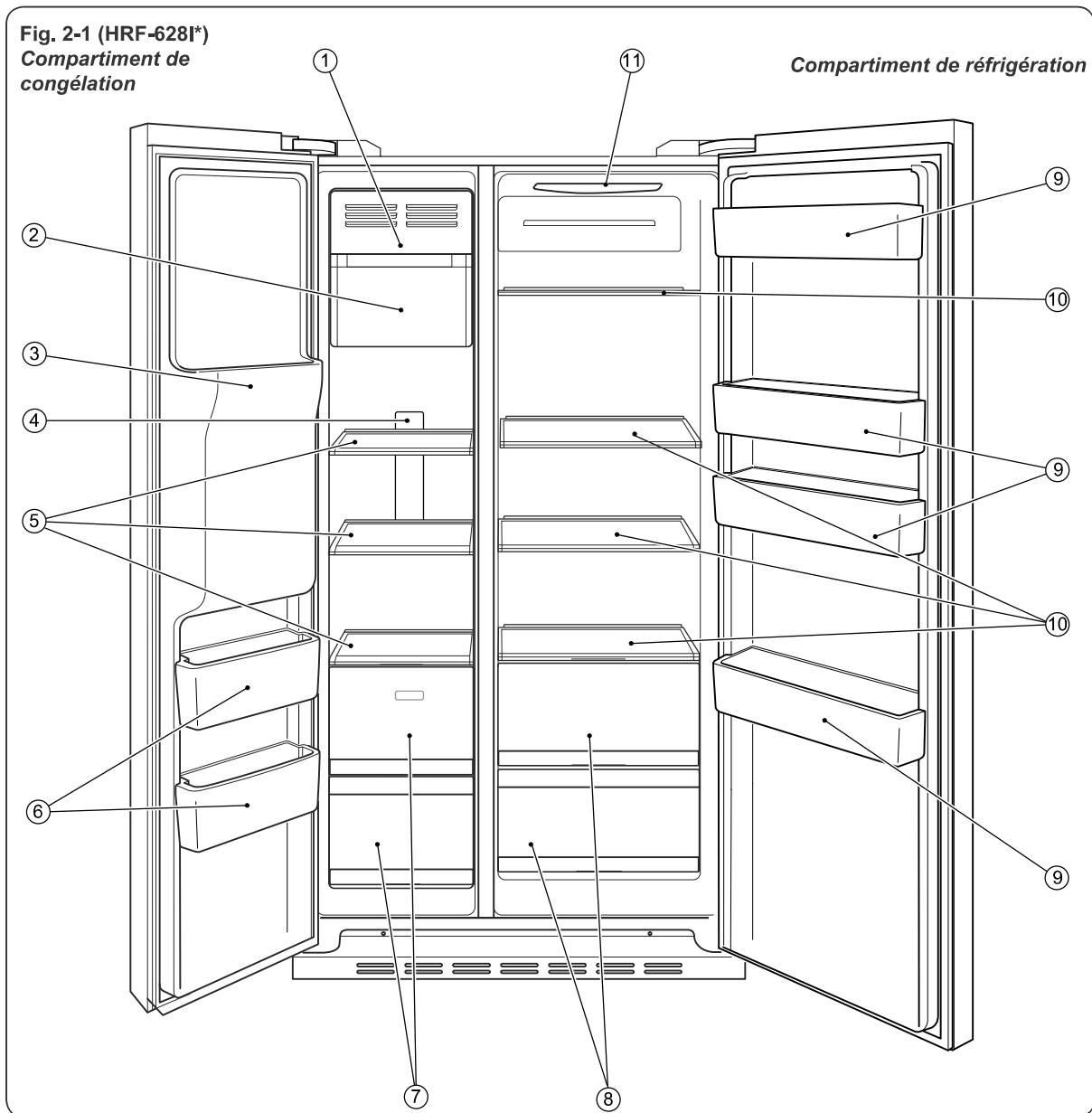
Le cyclopentane, substance inflammable qui respecte la couche d'ozone, est utilisé comme moussant pour la mousse isolante.

Lorsque vous transportez l'appareil, veillez à ne pas endommager le circuit de refroidissement.

En respectant les consignes de mise au rebut de l'appareil, vous contribuez à éviter les conséquences potentiellement négatives pour l'environnement et la santé humaine qui pourraient résulter d'une mise au rebut incorrecte.

Pour plus d'informations sur le recyclage de ce produit, adressez-vous à la mairie, au service local de collecte des déchets ou au revendeur auprès duquel vous avez acheté le produit.

## 2. A propos de votre réfrigérateur



Les caractéristiques du HRF-628I\* (fig. 2-1) sont les suivantes :

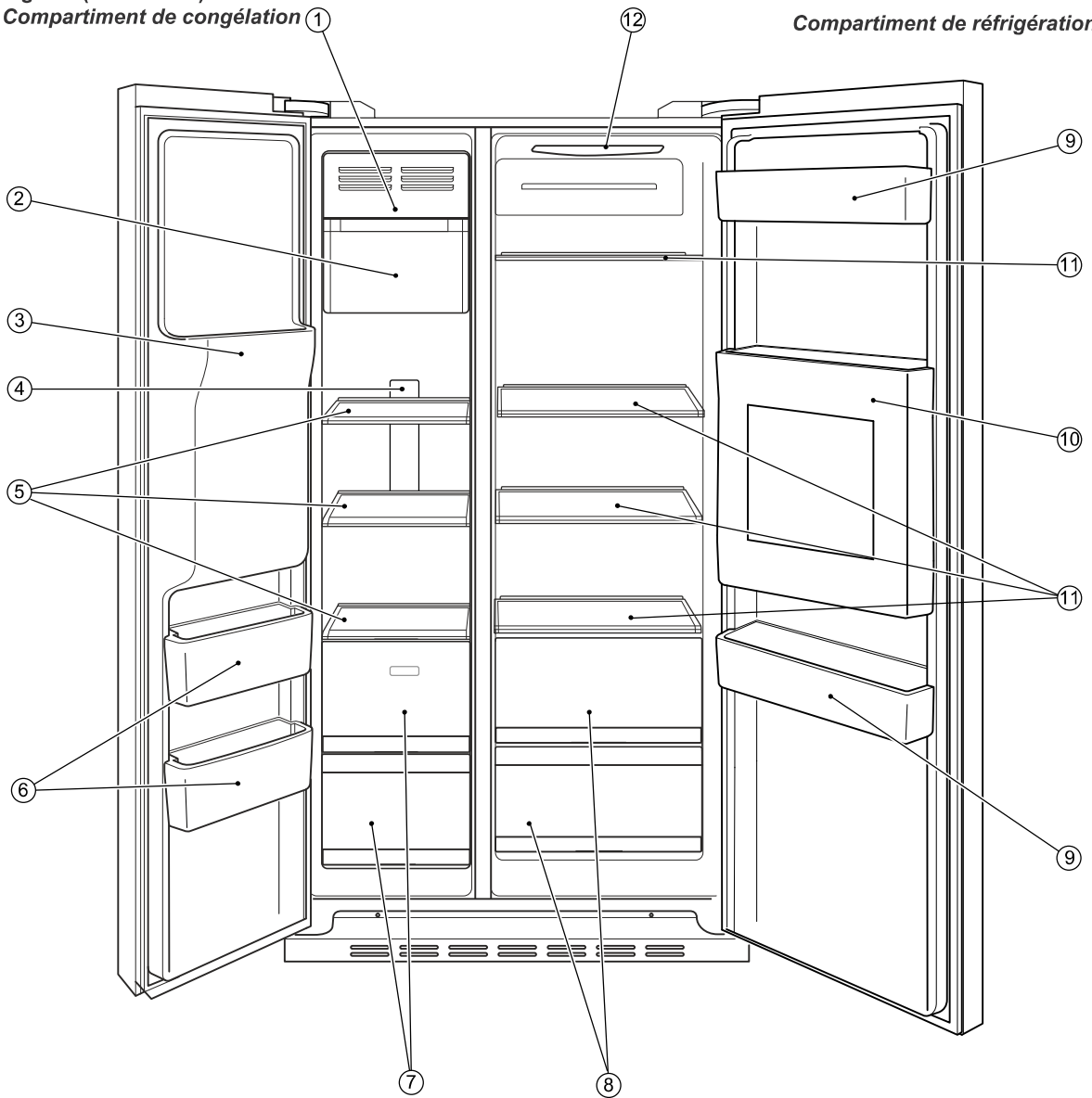
1. Clayette à crème glacée
2. Bac à glaçons avec machine (à l'intérieur du bac)
3. Distributeur d'eau et de glace
4. Eclairage LED du congélateur
5. 3 clayettes de rangement (congélateur)
6. 2 balconnets de congélateur
7. 3 tiroirs de congélateur(HRF-628I\*6)  
3 tiroirs de congélateur(HRF-630I\*7)

8. 2 Bacs à légumes(HRF-628I\*6)  
1 Zone humide & 2 bacs à légumes (HRF-630I\*7)
  9. 4 balconnets de réfrigérateur
  10. 4 clayettes de rangement (réfrigérateur)
  11. Eclairage LED du réfrigérateur
- Sans CFC et sans gel
- Fonctions de supercongélation, super réfrigération et vacances
- Affichage automatique de la température

Fig. 2-2 (HRF-628A\*)

Compartiment de congélation ①

Compartiment de réfrigération



Les caractéristiques du HRF-628A\* (fig. 2-2) sont les suivantes :

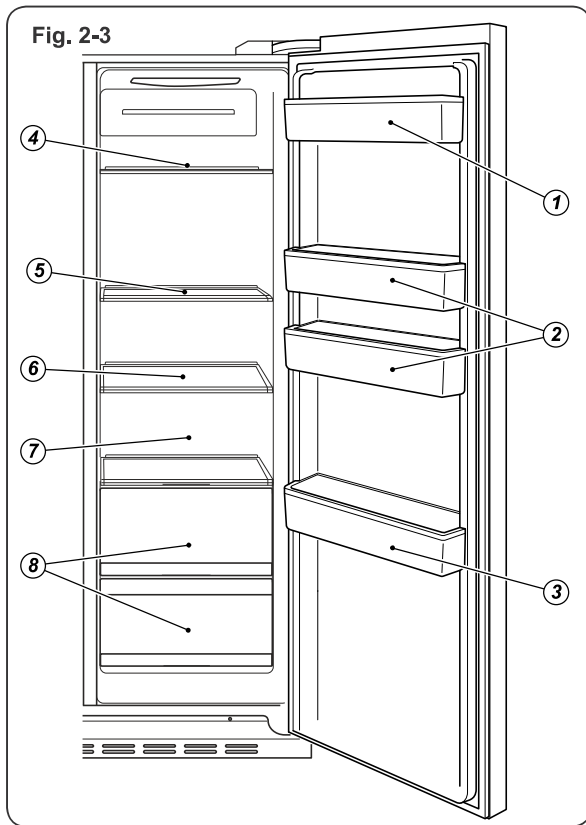
1. Clayette à crème glacée
2. Bac à glaçons avec machine (à l'intérieur du bac)
3. Distributeur d'eau et de glace
4. Eclairage LED du congélateur
5. 3 clayettes de rangement (congélateur)
6. 2 balconnets de congélateur
7. 3 tiroirs de congélateur(HRF-628A\*6)  
3 tiroirs de congélateur(HRF-630A\*7)
8. 2 Bacs à légumes(HRF-628A\*6)  
1 Zone humide & 2 bacs à légumes(HRF-630A\*7)
9. 2 balconnets de réfrigérateur

10. Couverture intérieure du minibar
11. 4 clayettes de rangement (réfrigérateur)
12. Eclairage LED du réfrigérateur

Sans CFC et sans gel

Fonctions de supercongélation, super réfrigération et vacances

Affichage automatique de la température



## A propos du compartiment produits frais

Il est recommandé de laisser de l'espace entre les aliments pour favoriser la circulation de l'air froid. Les températures dans le réfrigérateur sont légèrement plus chaudes vers le haut et plus froides vers le bas.

Les aliments périssables le plus rapidement doivent être entreposés vers l'arrière de l'appareil, là où il fait le plus froid.

Suggestions de rangement (fig. 2-3) :

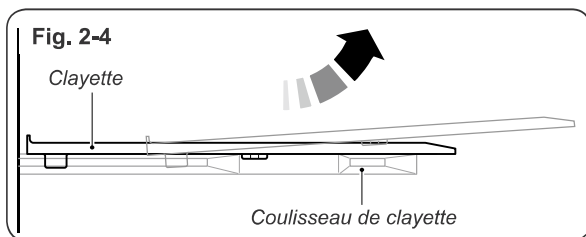
1. Œufs, beurre, fromage, etc.
2. Conserves, boîtes, condiments, etc.
3. Boissons et aliments en bouteille.
4. Conserves au vinaigre, boissons ou conserves.
5. Viande, volailles, poisson et aliments crus.
6. Aliments à base de farine, conserves, produits laitiers, etc.
7. Viandes cuites, saucisses, etc.
8. Fruits, légumes ou salades.

## Clayettes

La hauteur des clayettes peut être ajustée selon vos besoins de stockage.

Les clayettes ne glisseront pas accidentellement lorsque vous prendrez des aliments dans l'appareil.

**▲ Lorsque vous ajustez la hauteur d'une clayette, ôtez d'abord tout aliment placé dessus.**



## Clayettes

Pour retirer une clayette, relevez l'avant afin de sortir les patères des glissières latérales (fig. 2-4) et tirez vers vous. Maintenez la clayette relevée pour que la butée sorte des glissières latérales.

Lorsque vous la remplacez, vérifiez que la clayette est bien poussée au fond et que les butées sont correctement installées.

## Eclairage

L'éclairage intérieur LED s'allume lorsque la porte est ouverte. Les performances de l'éclairage ne sont pas affectées par les autres caractéristiques de l'appareil.

## A propos du compartiment de congélation

Le compartiment de congélation consiste en 2 tiroirs, une clayette à crème glacée, 3 clayettes en verre et 2 balconnets de porte (fig. 2-5).

Comme dans le cas du congélateur, certaines parties du congélateur conviennent mieux au rangement de certains aliments.

Les crèmes glacées et sorbets se conservent mieux dans la clayette à crème glacée ou à l'arrière de l'appareil, la partie la plus froide.

Les portions d'aliments importantes ou lourdes, telles que les grandes pièces de viande à rôtir se conservent mieux dans les tiroirs du bas de l'appareil, tandis que les aliments plus légers doivent être stockés sur les clayettes, et ce afin de préserver l'appareil.

Vérifiez que les aliments stockés conviennent à la congélation et qu'ils sont correctement stockés dans l'appareil.

⚠ Veuillez respecter une distance supérieure à 10 mm entre les aliments placés et le capteur, afin de garantir le refroidissement.

⚠ Veuillez laisser le tiroir inférieur lorsque le réfrigérateur fonctionne, pour garantir le refroidissement.

### Clayettes

Pour retirer une clayette, relevez l'avant afin de sortir les patères des glissières latérales (fig. 2-6) et tirez vers vous. Maintenez la clayette relevée pour que la butée sorte des glissières latérales.

Lorsque vous la replacez, vérifiez que la clayette est bien poussée au fond et que les butées sont correctement installées.

### Eclairage

L'éclairage intérieur LED s'allume lorsque la porte est ouverte. Les performances de l'éclairage ne sont pas affectées par les autres caractéristiques de l'appareil.

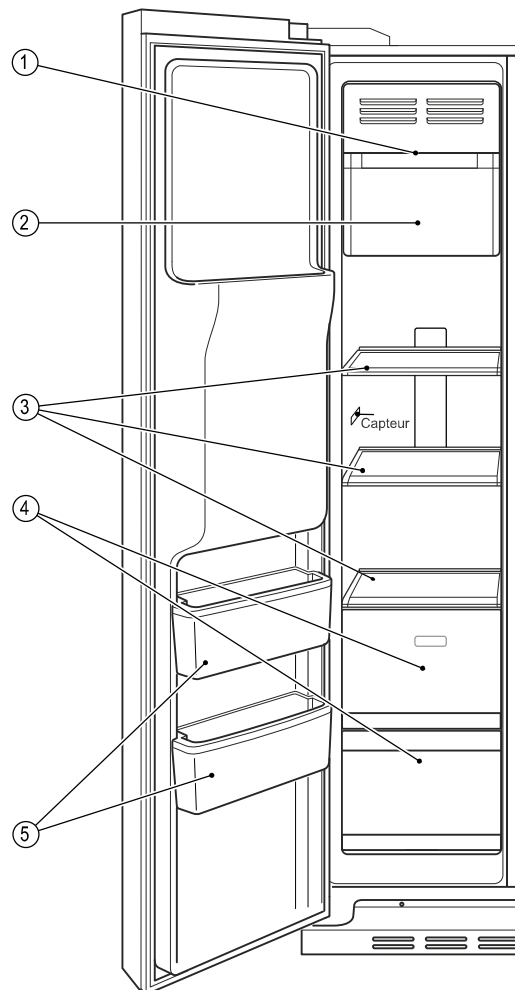
### Décongélation des aliments à cuire

Les aliments partiellement dégelés ou décongelés doivent être consommés le plus rapidement possible, car leur qualité sera affectée par la décongélation.

⚠ Vérifiez toujours que les aliments sont soigneusement décongelés avant la cuisson et qu'il ne reste pas de cristaux de glace. Cela concerne notamment la volaille, car cela peut être particulièrement nocif pour la santé.

Suivez bien les instructions de décongélation indiquées sur les emballages lorsque vous décongelez des plats préparés (il est toujours préférable de suivre les instructions du fabricant, car certains aliments décongelés ne doivent pas être décongelés avant la cuisson).

Fig. 2-5



- |                            |                                  |
|----------------------------|----------------------------------|
| 1. Clayette à crème glacée | 3. Clayettes de rangement glacée |
| 2. Bac à glace             | 4. Tiroirs de rangement          |
|                            | 5. Balconnets                    |

Fig. 2-6

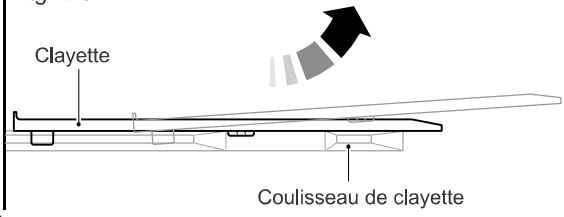


Fig. 2-7

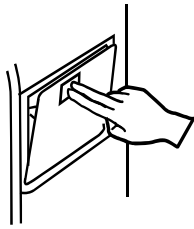


Fig. 2-8

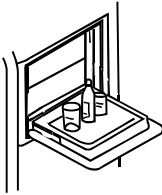


Fig. 2-9

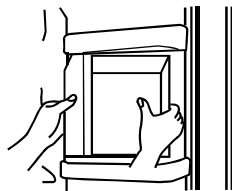
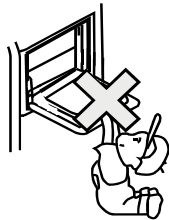


Fig. 2-10



## Le distributeur de glace/d'eau

### Précautions d'usage

- N'exposez JAMAIS le tuyau d'alimentation en eau à des températures inférieures à 0 °C pour éviter le gel.
- Vérifiez que la tuyauterie n'est pas susceptible de fuir en faisant couler de l'eau dans le tube, jusqu'à ce que l'eau se soit écoulée.
- Après avoir placé l'appareil à l'endroit de votre choix, vérifiez que le tuyau d'alimentation en eau ne peut pas être endommagé par des pliures ou des nœuds et qu'il est éloigné de toute source de chaleur.
- La production de glace commence lorsque la température du congélateur atteint -12 °C.
- N'UTILISEZ PAS le distributeur de glace de manière excessive. Si vous enclenchez le bouton de fabrication des glaçons trop souvent, il se mettra en mode arrêt. Cela est parfaitement normal, vous devez attendre une heure avant d'essayer de le réutiliser.
- N'UTILISEZ PAS de verre délicat ou fragile.
- NE TOUCHEZ PAS le bras de distribution des glaçons avec vos mains, ni avec un quelconque instrument, de manière à éviter toute blessure ou tout dommage.
- N'AJOUTEZ PAS d'eau manuellement : le système hydraulique est automatique. Si le distributeur de glaçons est allumé mais que l'appareil n'est pas raccordé à l'eau, le distributeur de glace ne fonctionnera pas.

### Fonctionnement du distributeur de glace

La capacité de fabrication de glace est de 1 kg/24 h (ce chiffre résulte d'essais effectués en laboratoire, à la température ambiante de 32 °C). Dans l'usage habituel de l'appareil, en raison des variations de la température ambiante et de la pression de l'eau, la capacité de production de glace peut différer légèrement.

Ne stockez pas les glaçons qui sont produits lors du premier lot suivant le démarrage de l'appareil, ou après un arrêt prolongé. Jetez ces glaçons.

Pour bénéficier de toute la capacité du bac à glaçon, vous devez régulièrement replacer les glaçons à la main.

Certains glaçons peuvent coller les uns aux autres lorsqu'ils arrivent dans le bac de stockage. Vous devrez les séparer pour garantir une bonne utilisation de la capacité du bac.

### Minibar

- Pour ouvrir le bar, appuyez sur le bouton du compartiment (fig. 2-7). Le compartiment du bar s'ouvre. Le minibar peut être utilisé sans ouvrir la porte de l'appareil, ce qui économise l'énergie. Lorsque le minibar est ouvert, l'éclairage du réfrigérateur s'allume.
- Vous pouvez installer des boissons et d'autres aliments dans le minibar (fig. 2-8).
- Ne retirez pas le couvercle interne du minibar (fig. 2-9). Le minibar ne fonctionnera pas si le couvercle a été retiré.
- Tenez les enfants à distance du minibar (fig. 2-10). Ils pourraient se blesser ou endommager le minibar.

▲ Refermez rapidement le minibar de manière à conserver le froid dans l'appareil. Le système d'alerte s'active lorsque la porte n'est pas correctement fermée.

## Première utilisation du distributeur de glace/ d'eau

⚠ **NE CONSOMMEZ PAS les sept (environ) premiers verres d'eau, car les tuyaux d'alimentation en eau peuvent contenir de la poussière ou des impuretés.**

Ainsi vous garantirez que les tuyaux sont purgés. En cas de doute, relancez le distributeur jusqu'à ce que l'eau soit claire.

## Bruits de fonctionnement pendant la production de glace

La production de la glace peut faire du bruit. Vous pouvez entendre la glace arriver dans le compartiment de stockage. C'est tout à fait normal.

## Stockage de la glace pendant une période prolongée

La glace stockée pendant une longue période peut devenir opaque et avoir une odeur suspecte. Nous vous recommandons de jeter cette glace, de retirer et de laver le bac à glace. Vérifiez que le bac est bien sec et qu'il a refroidi avant de le replacer dans l'appareil, de manière à éviter que la glace ne colle.

## Pour empêcher la fabrication de glace

Si vous ne souhaitez pas avoir de glace pendant une période prolongée (pendant l'hiver par exemple), vous pouvez fermer la vanne qui se trouve entre l'alimentation en eau et l'appareil. Nous vous recommandons de nettoyer le bac à glace, de l'essuyer soigneusement et de le replacer dans l'appareil, de manière à éviter l'apparition d'odeurs.

## Installation et retrait du tiroir de stockage de glaçons

Pour retirer le bac, soulevez le centre du tiroir et tirez-le pour libérer l'unité (fig. 2-11).

Remarque : Il est possible que de l'humidité ait condensé et gelé le bac.

Si le bac n'entre pas facilement, retirez-le et faites pivoter le mécanisme à came de 90° dans le sens des aiguilles d'une montre (fig. 2-12). Réinstallez le bac, en vérifiant que le loquet du tiroir entre dans la fente de la clayette.

## En cas de mauvais fonctionnement du distributeur de glace

Le bac à glace peut contenir le volume de glaçons que l'appareil peut fabriquer chaque jour. Il peut arriver qu'un petit nombre de glaçons reste dans le bac. Si la glace se coince, cela peut résulter en un mauvais fonctionnement de la machine à glaçons. Pour éviter ce problème, retirez le bac à glace, repositionnez les glaçons et ôtez les glaçons qui ne peuvent être séparés.

⚠ Vérifiez toujours que le bras de distribution des glaçons est propre et non obstrué.

⚠ Si vous ôtez le bac à glace, vous augmenterez l'espace de stockage des aliments. Veuillez installer le porte-bouteille fourni en plus à son emplacement au-dessus de l'entrée de la porte du congélateur pour un rangement facile des aliments (fig. 2-13).

Fig. 2-11

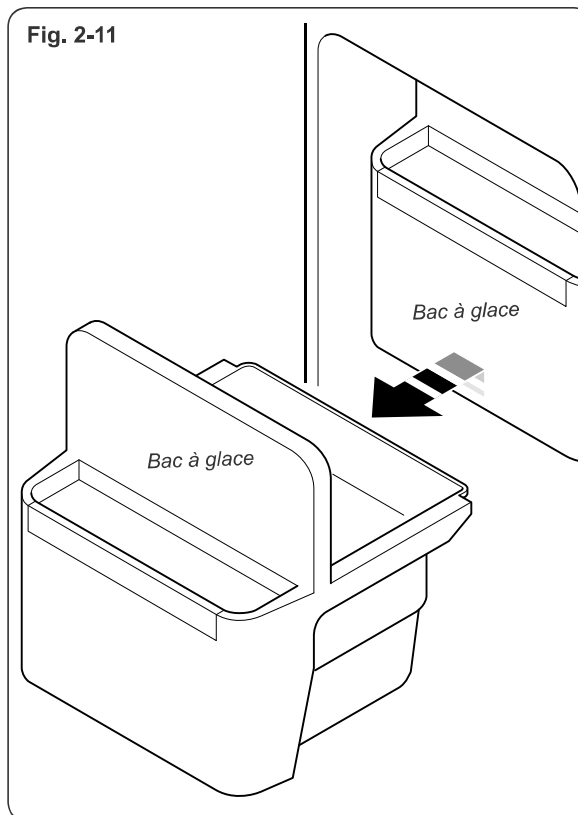


Fig. 2-12

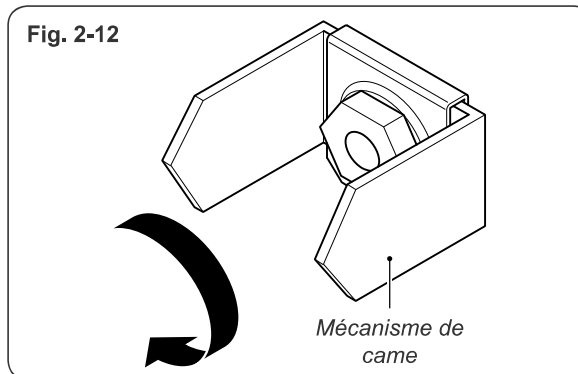
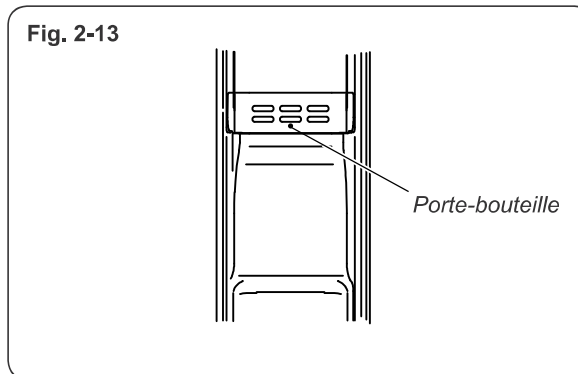
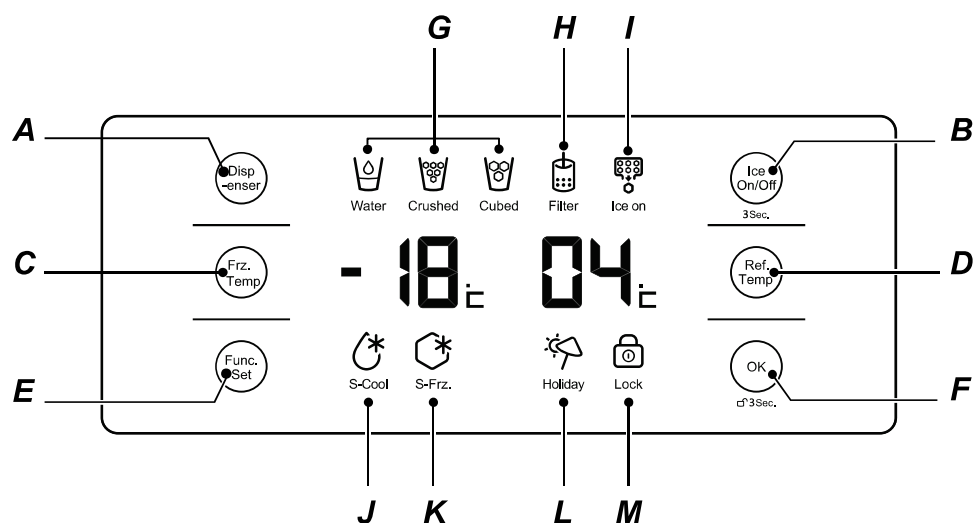


Fig. 2-13



## Fonctionnement du réfrigérateur-congélateur

Fig. 2-14



A – Touche de programmation du distributeur

B – Touche marche/arrêt de la machine à glace

C – Touche de température du congélateur

D – Touche de température du réfrigérateur

E – Touche de sélection des fonctions

F – Touche de confirmation des fonctions

G – Icône d'état du distributeur

H – Icône d'état du changement de filtre

I – Icône d'état de marche de la machine à glace

J – Icône de refroidissement rapide

K – Icône de congélation rapide

L – Icône de mode vacances

M – Icône de verrouillage

L'écran numérique et les touches de fonction du distributeur d'eau et de glace sont illustrés ci-dessous à la fig. 2-14.

### ▲ AVERTISSEMENT !

Vous ne pouvez pas régler les paramètres de température de l'appareil en mode congélation rapide ou verrouillage.

Si vous tentez de régler ces paramètres dans ces modes, l'icône de fonction spéciale en regard de l'affichage de la température du congélateur commence à clignoter et un signal sonore indique que vous ne pouvez pas régler la température à ce moment-là.

Fig. 2-15

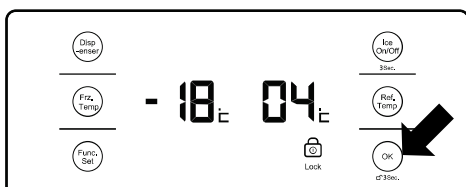


Fig. 2-16

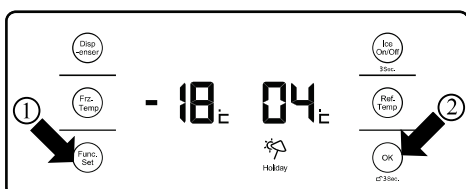
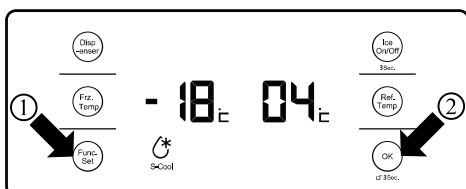


Fig. 2-17



## Mode verrouillage

Cette fonction permet de verrouiller les paramètres de température et de fonction. En mode verrouillage, l'icône de verrouillage clignote et un signal sonore retentit.

### Pour verrouiller

Appuyez sur la touche « OK » et maintenez pendant 3 secondes (fig. 2-15). L'icône LOCK apparaît et le réfrigérateur se verrouille.

### Pour déverrouiller

Appuyez sur la touche « OK » et maintenez pendant 3 secondes. L'icône LOCK disparaît et le réfrigérateur se déverrouille.

## Mode vacances (Holiday)

▲ AVERTISSEMENT ! Avant de sélectionner le mode vacances, videz le réfrigérateur de tout aliment ou boisson dont la consommation pourrait être nocive rapidement.

Cette fonction vous permet de laisser la partie réfrigérateur inactive tout en laissant le congélateur fonctionner normalement. Ce mode paramètre automatiquement le réfrigérateur à 17 °C.

### Pour l'activer

1. Appuyez sur la touche « FUNC.SET » jusqu'à ce que le mode « Holiday » soit sélectionné (fig. 2-16).
2. Appuyez sur la touche « OK » : l'icône du mode HOLIDAY apparaît.

### Pour le désactiver

1. Appuyez sur la touche « FUNC.SET » jusqu'à ce que le mode « Holiday » soit sélectionné.
2. Appuyez sur la touche « OK » : l'icône du mode HOLIDAY disparaît.

## Mode refroidissement rapide

Cette fonction permet de refroidir rapidement les aliments afin qu'ils restent frais aussi longtemps que possible. Utilisez cette fonction avant de ranger de grandes quantités de produits dans le réfrigérateur en une fois.

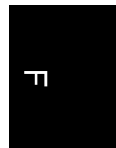
Le mode refroidissement rapide est désactivé lorsque la température paramétrée est atteinte.

### Pour l'activer

1. Appuyez sur la touche « FUNC.SET » jusqu'à ce que le mode refroidissement rapide soit sélectionné (fig. 2-17).
2. Appuyez sur la touche « OK » : l'icône S-COOL apparaît.

### Pour le désactiver

1. Appuyez sur la touche « FUNC.SET » jusqu'à ce que le mode refroidissement rapide soit sélectionné.
2. Appuyez sur la touche « OK » : l'icône S-COOL disparaît. Le mode refroidissement rapide est maintenant désactivé.



## Mode congélation rapide

Cette fonction permet de congeler la nourriture complètement et le plus rapidement possible afin de conserver les nutriments des aliments.

Le mode congélation rapide est désactivé lorsque la température paramétrée est atteinte.

Utilisez cette fonction avant de ranger de grandes quantités d'aliments dans le congélateur en une fois. Nous vous recommandons d'activer le mode congélation rapide 12 heures à l'avance, ce qui refroidira la température du compartiment de congélation avant que vous n'y stockiez des aliments.

### Pour l'activer

1. Appuyez sur la touche « FUNC.SET » jusqu'à ce que le mode congélation rapide soit sélectionné (fig. 2-18).
2. Appuyez sur la touche « OK » : l'icône S-Frz. apparaît.

### Pour le désactiver

1. Appuyez sur la touche « FUNC.SET » jusqu'à ce que le mode congélation rapide soit sélectionné.
2. Appuyez sur la touche « OK » : l'icône S-Frz. disparaît. Le mode congélation rapide est maintenant désactivé.

## Réglage de la température des produits frais

Appuyez sur la touche « Ref. Temp » (fig. 2-19).

L'affichage de la température du réfrigérateur commence à clignoter, ce qui signifie que le mode de réglage de la température de la partie réfrigérateur est activé.

Appuyez sur la touche « Ref. Temp » pour faire défiler les températures du réfrigérateur, de 09 °C à 01 °C.

Sans opération dans les 5 secondes, le clignotement s'arrête et la température est réglée. La température reste inchangée si vous appuyez sur une autre touche pendant le clignotement.

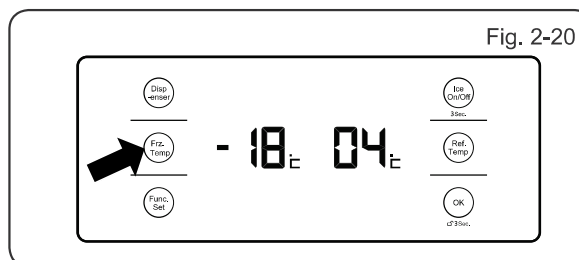
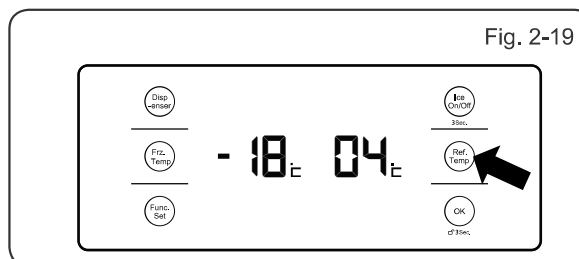
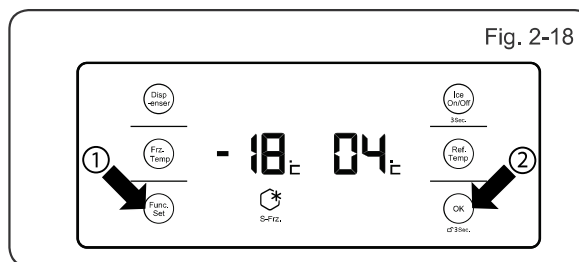
## Réglage de la température du congélateur

Appuyez sur la touche « Frz. Temp » (fig. 2-20).

L'affichage de la température du congélateur commence à clignoter, ce qui signifie que le mode de réglage de la température de la partie congélateur est activé.

Appuyez sur la touche « Frz. Temp » pour faire défiler les températures du congélateur, de -14 °C à -24 °C.

Sans opération dans les 5 secondes, le clignotement s'arrête et la température est réglée. La température reste inchangée si vous appuyez sur une autre touche pendant le clignotement.



## Utilisation du distributeur d'eau et de glace

Ce réfrigérateur-congélateur dispose de trois options : eau froide, glace pilée et glaçons. Pour éviter les déversements accidentels, vérifiez TOUJOURS que vous tenez votre verre sous le distributeur avant de faire votre sélection. Nous vous recommandons d'utiliser un verre de 80 mm de large minimum lorsque vous prenez de la glace au distributeur.

### Réglage marche/arrêt de la machine à glace

Lors de la première mise en route du réfrigérateur/congélateur, la machine à glace s'éteint par défaut.

#### Pour l'allumer

- Appuyez sur la touche « ICE MAKER ON/OFF » pendant 3 secondes. L'icône de mise en marche de la machine à glace apparaît et la machine à glace commence à fonctionner.

#### Pour l'éteindre

- Appuyez sur la touche « ICE MAKER ON/OFF » pendant 3 secondes. L'icône de mise en marche de la machine à glace disparaît et la machine à glace cesse de fonctionner.

**IMPORTANT** : vérifiez que vous avez bien vidé le conteneur de la machine à glace avant d'éteindre la machine, car la glace pourrait fondre.

### Approvisionnement en eau froide

- Tenez le verre sous le distributeur.
- Appuyez sur la touche de sélection Dispenser pour sélectionner l'eau froide. L'icône WATER apparaît.
- Pressez doucement le verre contre le levier du distributeur. L'eau froide est versée dans votre verre.

### Approvisionnement en glace pilée

- Tenez le verre sous le distributeur.
- Appuyez sur la touche de sélection Dispenser pour sélectionner la glace pilée. L'icône CRUSHED apparaît.
- Pressez doucement le verre contre le levier du distributeur. La glace pilée est versée dans votre verre.

### Approvisionnement en glaçons

- Tenez le verre sous le distributeur.
- Appuyez sur la touche de sélection Dispenser pour sélectionner les glaçons. L'icône CUBED apparaît.
- Pressez doucement le verre contre le levier du distributeur. Les glaçons sont versés dans votre verre.

### Changement du filtre à eau

Lorsque l'icône d'état de changement du filtre s'affiche, le filtre à eau doit être changé (tous les 6 mois environ). Après le remplacement, appuyez sur la touche Func. Set et l'icône d'état de changement du filtre disparaît.

## Sécurité

- ⚠** N'UTILISEZ PAS de verres trop profonds, étroits, fragiles ou délicats.
- Tenez le verre aussi près que possible du distributeur pour éviter de renverser de l'eau ou de la glace ou de bloquer le distributeur de glaçons.
- Cinq secondes après la distribution de glace ou d'eau, l'entrée du distributeur se referme en émettant un son. Maintenez le verre sous le bras de distribution pendant 2 à 3 secondes (pour la glace) et 1 à 2 secondes (pour l'eau) après avoir rempli votre verre et libéré le levier : de l'eau ou de la glace peuvent encore en sortir.
- Nettoyez régulièrement le distributeur.
- Pour conserver la qualité de l'eau, vous devez remplacer le filtre de temps en temps. Nous recommandons de remplacer le filtre tous les 6 mois. Cependant, si la qualité de l'eau montre des signes de détérioration visuelle ou gustative, vous devez changer le filtre plus souvent.
- De la glace pilée est susceptible d'être distribuée à la place des glaçons si la glace pilée est la dernière option sélectionnée.
- ⚠** Ne placez JAMAIS des boissons en cannette ou des conserves dans le distributeur, cela endommage le mécanisme de broyage.
- ⚠** NE TOUCHEZ PAS le distributeur et ne retirez pas le couvercle de manière à éviter toute blessure accidentelle ou d'endommager l'appareil.
- Le premier versement d'eau (environ sept verres) et de glaçons (20 environ) ne doit pas être consommé après le démarrage initial ou un arrêt prolongé de l'utilisation. Jetez-les en conséquence.
- Ne placez pas les glaçons qui ont été produits par la machine à glace dans le tiroir de stockage afin de ne pas endommager le mécanisme.
- Une alimentation insuffisante en eau peut créer de petits glaçons. Une alimentation excessive en eau peut créer de plus grands glaçons susceptibles de coller les uns aux autres, de provoquer des fuites et de bloquer le distributeur. Dans ce cas, vous devrez ajuster le tube de distribution ou contacter un technicien de service.

## Décongélation automatique

Il n'est pas nécessaire de dégivrer le réfrigérateur puisque l'appareil est équipé d'un dégivrage automatique.

- ⚠** N'UTILISEZ PAS d'appareils mécaniques pour accélérer le dégivrage, sauf s'ils sont du type d'appareils recommandés par le fabricant.

## Fonction d'alarme

Si vous laissez une porte ouverte pendant longtemps ou si vous la fermez mal, le réfrigérateur-congélateur émettra un signal sonore à intervalles réguliers pour vous rappeler de fermer la porte correctement.

## Désactivation de l'écran

Après 30 secondes, l'affichage numérique s'éteint jusqu'à la prochaine utilisation du réfrigérateur-congélateur.

### 3. Conseils pour le stockage des denrées alimentaires

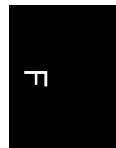
---

#### Conseils pour le stockage des produits frais

- Maintenez la température de votre réfrigérateur inférieure à 5 °C.
- Dates « A consommer de préférence avant » et « A consommer jusqu'au ». Les aliments comportant la mention « A consommer jusqu'au » s'abîment rapidement. Il peut être dangereux de les manger une fois passée cette date de péremption. Les aliments comportant la mention « A consommer de préférence avant » peuvent être conservés plus longtemps. Il n'est pas dangereux de les consommer, mais leur qualité peut être altérée après cette date.
- Vérifiez que les aliments cuits devant être refroidis sont placés à température ambiante avant de les ranger dans le réfrigérateur-congélateur. Vérifiez que ces aliments sont stockés dans des conteneurs appropriés.
- Les produits stockés au réfrigérateur doivent être lavés et séchés avant d'être rangés.
- Certains produits doivent rester dans leur emballage d'origine lorsqu'ils sont placés dans le réfrigérateur. S'ils sont déballés, nous vous recommandons de les réemballer, de manière à ce que l'eau ne s'évapore pas. Certains fruits et légumes restent plus frais et les odeurs ne se mélangeront pas s'ils restent emballés.
- Il est possible de marquer les produits rangés dans des sacs ou conteneurs.
- Les produits consommés au quotidien doivent être stockés à l'avant de la clayette.
- Vérifiez que les produits sont rangés de manière systématique (viandes crues ensemble, produits laitiers ensemble) pour éviter le mélange des saveurs et les contaminations croisées. Les viandes crues doivent être stockées en bas du réfrigérateur pour éviter que des gouttes ne tombent sur les produits crus. Les autres produits doivent être stockés au-dessus de la viande crue.
- Lorsque vous stockez des aliments dans la section des produits frais, vérifiez bien que l'espace entre les produits permet à l'air de circuler. Cela entretient la durée de vie des produits.
- Lorsque vous stockez des produits au réfrigérateur, vérifiez qu'ils ne se trouvent pas trop près de la paroi arrière, de manière à éviter les risques de gel.
- Nous conseillons, pour les radis et autres légumes-racine, de couper les fanes. Cela permet de préserver les nutriments contenus dans la racine.
- Placez les produits congelés dans la partie produits frais pour qu'ils décongèlent. La basse température du réfrigérateur réduit la formation des bactéries et augmente la durée de vie des aliments.
- Certains produits comme les oignons, l'ail, les bananes et les légumes-racine se conservent mieux à température ambiante qu'au réfrigérateur.
- Les melons, ananas et bananes peuvent aller directement au congélateur, après avoir été préparés, pour un stockage sur une longue période.
- En emballant les produits frais correctement, à température adéquate et en tenant compte de l'hygiène des denrées alimentaires, vous améliorez la qualité des produits frais stockés dans cet appareil.
- Utilisez des sacs plastique, des feuilles d'aluminium ou d'autres emballages alimentaires pour couvrir les produits frais non emballés pour éviter le mélange des saveurs et la contamination.
- Avant de stocker des aliments en emballage multiple (yaourts, etc.), ôtez tout emballage superflu.
- ▲ Ne stockez JAMAIS des éléments inflammables, volatils ou explosifs dans l'appareil.
- Les boissons à haute teneur en alcool doivent être rangées verticalement dans des bouteilles bien fermées.
- Les produits fragiles doivent être rangés dans la partie la plus froide de l'appareil.
- N'ouvrez pas la porte trop souvent.
- Réglez le thermostat de manière à ce que les aliments restent suffisamment froids ; évitez le gel dans le réfrigérateur. Vous pourrez mesurer la température de l'appareil à l'aide d'un thermomètre. Placez-le dans un verre d'eau et laissez-le à l'intérieur de l'appareil pendant quelques heures pour une température fiable.
- Certains aliments contiennent des huiles et acides d'origine naturelle (acide citrique, etc.) qui peuvent endommager les plastiques s'ils sont déversés. Vérifiez que ces aliments sont correctement emballés.
- Les odeurs désagréables dans le réfrigérateur indiquent que quelque chose s'est déversé et qu'un nettoyage est nécessaire. Vous pouvez nettoyer l'intérieur de l'appareil et ôter la plupart des déversements à l'aide d'eau chaude et de bicarbonate de sodium (voir « Nettoyage et entretien »).
- N'oubliez pas de retirer les produits périssables de l'appareil avant de vous absenter pendant une période prolongée.

## Conseils pour la congélation des aliments

- Comme dans le cas du rangement des produits frais, un conditionnement et une température adéquats ainsi qu'une bonne hygiène des denrées améliorent la qualité des aliments que vous congelez.
  - Evitez de ranger des aliments chauds dans le congélateur. Laissez-les d'abord refroidir à température ambiante.
  - Vérifiez que les aliments que vous congelez sont de bonne qualité et peuvent être congelés.
  - Utilisez des matériaux d'emballage sans odeur et étanches à l'air (sacs plastique) pour stocker les aliments, de manière à ce que différents aliments puissent être mélangés sans en affecter la qualité. Vérifiez l'étanchéité à l'air. Les emballages qui fuient déshydratent les produits et provoquent la perte des vitamines.
  - Maintenez la surface des emballages au sec, ce qui les empêchera de geler ensemble.
  - Indiquez le type d'aliment et la date de stockage sur l'emballage.
  - Les aliments doivent être congelés rapidement, il est donc préférable de congeler des petites portions et de vérifier qu'ils ont bien refroidi avant de les stocker. Le poids maximal recommandé par portion est de 2,5 kg.
  - Gardez les produits frais à distance de ceux qui sont déjà congelés. Si vous devez congeler des produits frais chaque jour, veillez à le faire en petites portions.
  - Ne dépassez pas la charge maximale à congeler, de 10 kg par 24 h (voir l'étiquette de données pour en savoir plus).
  - Notez la date de péremption et le nom des aliments à l'extérieur de l'emballage : vous saurez de quel aliment il s'agit et si vous pouvez encore le consommer.
  - Prenez les aliments dans le congélateur pour les décongeler quand vous souhaitez les consommer. Les aliments décongelés ne peuvent plus être recongelés, sauf s'ils sont cuits.
- Ne placez pas trop de produits frais dans le congélateur en une seule fois. Vous pourriez dépasser la capacité de refroidissement du congélateur (voir « Données techniques »).
  - Lorsque vous stockez des aliments congelés industriellement, veuillez suivre les consignes suivantes :
    - suivez toujours les instructions du fabricant en matière de durée de stockage du produit. N'outrepassiez jamais ces instructions !
    - Essayez de réduire au maximum la durée qui s'écoule entre l'achat et le stockage, de manière à préserver la qualité du produit ;
    - achetez des aliments congelés qui ont été stockés à une température inférieure ou égale à -18 °C ;
    - Evitez d'acheter des aliments dont l'emballage est gelé : cela indique que les produits ont peut-être été partiellement décongelés et recongelés et les hausses de température détériorent la qualité des produits.
    - En cas de coupure de courant pendant plus de 5 heures, ou de panne du réfrigérateur ou du congélateur, quelle qu'en soit la durée, vous devrez peut-être retirer les produits du congélateur et, si possible, les stocker dans un autre congélateur ou dans un lieu froid et propre (garage ou remise) jusqu'au rétablissement du courant ou jusqu'à la réparation de l'appareil. Pour empêcher toute hausse intempestive de la température, vous devez stocker les aliments dans un conteneur froid ou emballer les aliments dans des couches de matériau isolant (papier journal), pour favoriser la conservation de la température. Il est important que tout produit décongelé soit consommé ou cuit et recongelé (si approprié) rapidement afin d'éviter les risques pour la santé.



## 4. Installation

### Positionnement de l'appareil

#### Choix du bon emplacement

Cet appareil doit être installé dans une pièce sèche et bien aérée. Pour garantir une bonne ventilation, vérifiez que le réfrigérateur se trouve à au moins 10 cm de tous les côtés des armoires de cuisine (fig. 4-1). Tout meuble disposé au-dessus de l'appareil doit se trouver à au moins 10 cm pour garantir la ventilation nécessaire.

Si vous placez le réfrigérateur près d'un coin, vous devez laisser assez d'espace pour ouvrir les portes et retirer les clayettes (fig. 4-2).

Cet appareil doit se trouver à au moins 100 mm de la cuisinière électrique ou à gaz et à 300 mm de tout poêle à charbon ou à mazout. Si ce n'est pas possible, vérifiez qu'une isolation adéquate est utilisée.

Évitez d'exposer l'appareil à la lumière directe du soleil et aux sources de chaleur (radiateurs, chaudière ou cuisinières).

Si cet appareil est situé dans un environnement frais (remise, dépendance ou garage), ses performances seront altérées. Les performances de l'appareil seront peut-être irrégulières, ce qui peut altérer la qualité des produits. Une température ambiante constante égale ou supérieure à 10 °C est recommandée.

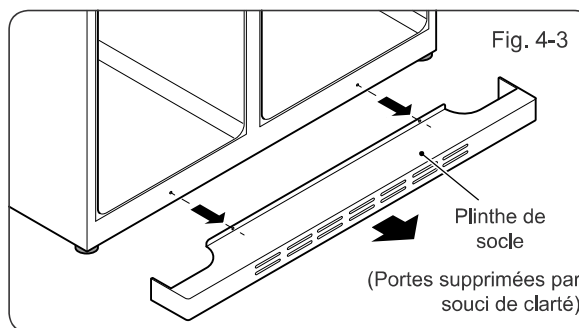
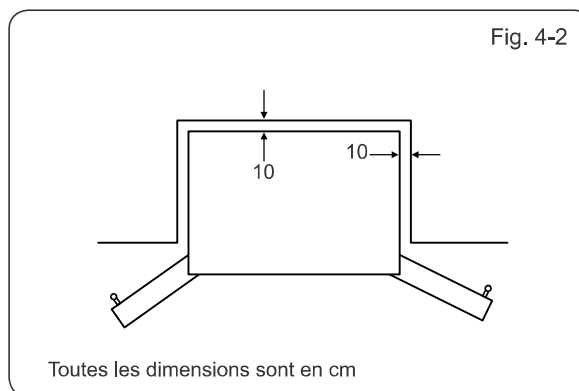
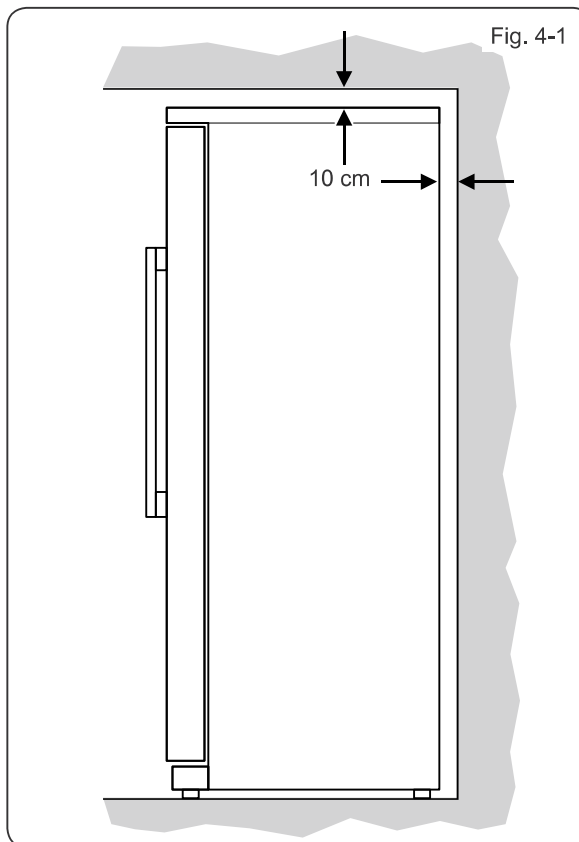


Fig. 4-4

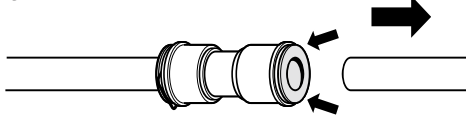


Fig. 4-5

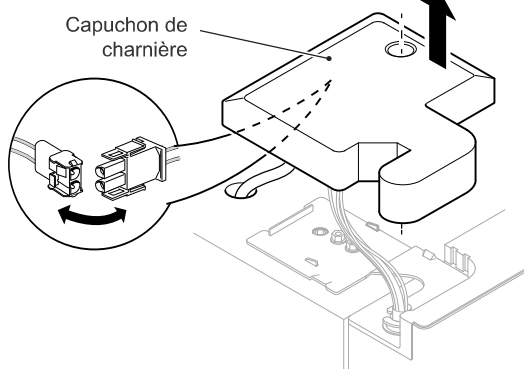


Fig. 4-6

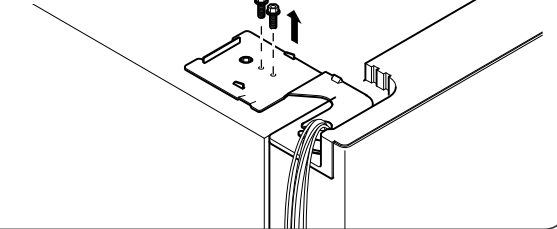


Fig. 4-7

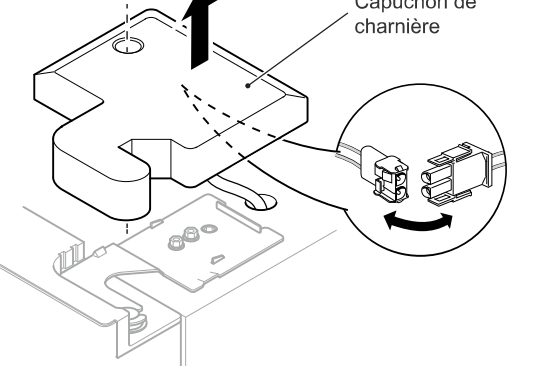
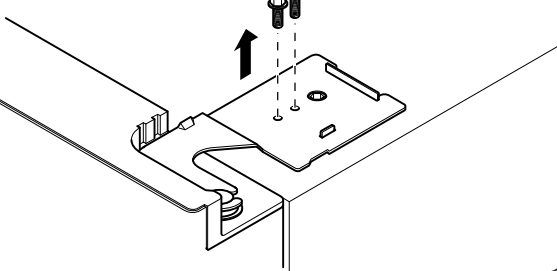


Fig. 4-8



## Démontage et installation des portes

- ⚠ Si vous devez retirer les portes du réfrigérateur, veuillez suivre les instructions relatives au retrait et à l'installation des portes ci-dessus.
- ⚠ Nous vous conseillons, pour votre sécurité, d'être assisté de deux personnes au moins pour éviter de vous blesser, de provoquer des dommages ou des pertes matérielles.

Dévissez les deux vis maintenant la plinthe de socle et retirez-la (fig. 4-3).

Dégagez le tuyau d'arrivée d'eau : pressez la coupelle comme l'indique l'illustration (fig. 4-4) et retirez le tuyau.

Retirez le bouchon supérieur.

### Porte du congélateur

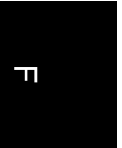
1. Dévissez les vis du couvercle de la charnière et retirez le couvercle (fig. 4-5). Débranchez tous les câbles sauf le câble de terre.
2. Dévissez les vis de la charnière supérieure et retirez la charnière (fig. 4-6).
3. Soulevez la porte du compartiment du congélateur pour la retirer. Ensuite, soulevez la porte de façon à pouvoir retirer le tuyau d'arrivée d'eau.

### Porte du réfrigérateur

1. Otez les capuchons des vis de la charnière et retirez le couvercle (fig. 4-7). Débranchez tous les câbles sauf le câble de terre.
2. Dévissez les vis de la charnière supérieure et retirez la charnière (fig. 4-8).
3. Soulevez la porte du compartiment du réfrigérateur pour la retirer.

### Réinstallation des portes

Réinstallez les portes en effectuant les étapes du démontage en sens inverse.



## Nivellement et ajustement des portes du réfrigérateur-congélateur

Vérifiez que l'appareil se trouve sur une surface solide et plate. Si le réfrigérateur est installé sur une plinthe, des matériaux plats, solides et résistants au feu doivent être utilisés.

Cet appareil dispose de pieds avant ajustables, que vous pouvez utiliser pour stabiliser l'appareil.

Insérez un tournevis plat dans les fentes du pied. Tournez le tournevis dans le sens des aiguilles d'une montre pour soulever le pied (fig. 4-9) et dans le sens inverse des aiguilles d'une montre pour abaisser le pied (fig. 4-10).

## Nivellement des portes

Vous devez peut-être aligner les portes avant de brancher le réfrigérateur-congélateur à l'alimentation électrique. Pour cela, ajustez les pieds réglables (fig. 4-9 et fig. 4-10).

Pour relever la porte gauche, tournez le pied gauche dans le sens des aiguilles d'une montre jusqu'à ce qu'elle soit horizontale (fig. 4-11).

Pour relever la porte droite, tournez le pied droit dans le sens des aiguilles d'une montre jusqu'à ce qu'elle soit horizontale.

## Montage des poignées

Les poignées de porte doivent être montées sur les goujons de fixation déjà installés sur chaque porte (fig 4-12)

Utilisez la clé Allen fournie avec le kit de montage.

1. Placez la poignée sur les goujons de fixation.
2. Insérez la vis de blocage dans le trou prévu à cette effet sous chaque barre de montage.
3. A l'aide de la clé Allen, serrez la vis de blocage pour fixer la poignée de la porte.
4. Fixez le capuchon des boulons supérieurs dans la bonne position.

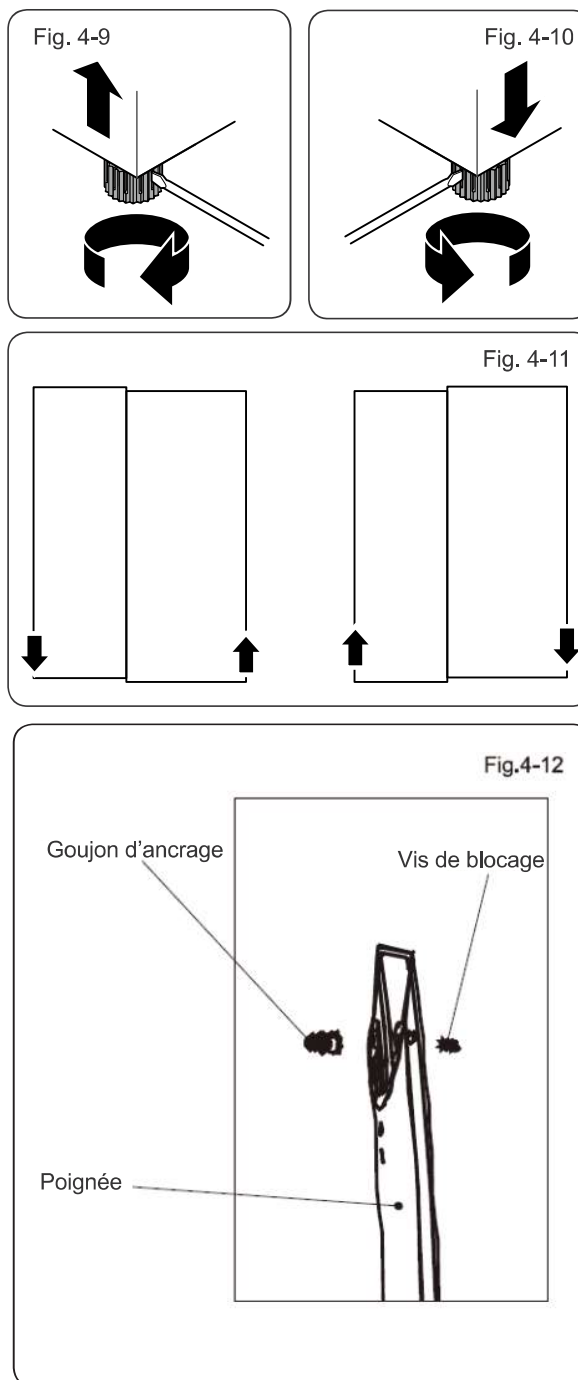
Ne serrez pas trop la vis de blocage.

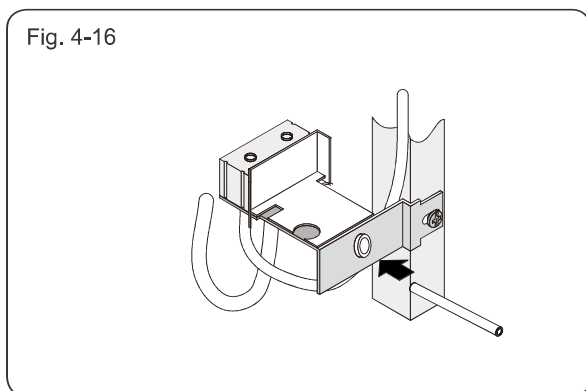
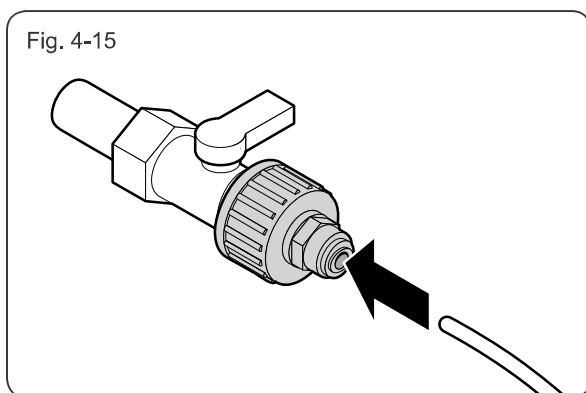
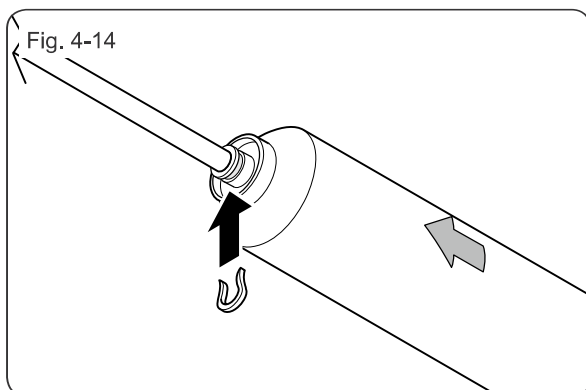
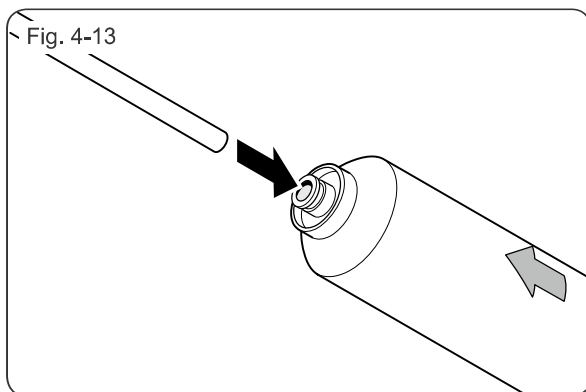
## Raccordement à l'alimentation électrique

Branchez l'appareil à l'alimentation électrique (220-240 V ~ 50 Hz) avec la prise et le câble qui conviennent.

Le raccordement à l'alimentation doit être conforme aux réglementations locales.

- ⚠ L'appareil doit être branché à une prise femelle mise à la terre.
- ⚠ Vérifiez que la prise est accessible une fois l'appareil positionné.





## Raccordement à l'alimentation en eau

▲ Nous vous recommandons de faire installer ce produit par un technicien qualifié.

Remarque : pour en savoir plus sur l'installation, veuillez consulter les instructions fournies avec le filtre à eau.

- La pression de l'eau froide qui alimente la machine à glace se situe entre 0,15 et 0,6 MPa.
- La longueur du tuyau d'eau doit être adéquate, à savoir en général 8 mètres, et ne doit pas comporter de coudes. Si le tuyau est trop long, la pression de l'eau en sera réduite, ce qui altèrera la glace et l'eau froide.
- **NE RACCORDEZ PAS** l'alimentation en eau si la température ambiante est inférieure à 0 °C, cela pourrait geler le tuyau d'eau.
- Raccordez toujours l'appareil à l'alimentation en eau potable.
- Gardez le tuyau d'alimentation en eau à l'écart des sources de chaleur.
- Le filtre à eau permet de filtrer les impuretés de l'eau et de produire une glace propre et hygiénique. Il ne peut ni stériliser ni détruire, vérifiez donc que le tuyau soit relié à une source d'eau potable.
- Le système hydraulique est automatique, n'ajoutez pas d'eau manuellement.
- Si le distributeur de glace est allumé mais que l'appareil n'est pas raccordé à l'eau, il ne fonctionnera pas.

## Installation du filtre à eau

Mesurez et coupez la longueur de tuyau nécessaire entre le filtre et le réfrigérateur-congélateur et entre le filtre et l'alimentation d'eau. Coupez à l'aide d'un couteau aiguisé de manière à couper droit.

Insérez l'un des tuyaux dans le filtre à eau et poussez (fig. 4-13).

Sécurisez le tuyau côté filtre en faisant glisser un clip de sécurité dans la rainure comme l'indique l'illustration (fig. 4-14).

Recommencez la manœuvre à l'autre extrémité du filtre.

Reliez l'extrémité à l'adaptateur en plastique (fig. 4-15). Vissez l'adaptateur dans un raccordement 1/2" BSP de sortie d'eau.

Accédez à l'ensemble de soupapes d'eau à l'arrière du réfrigérateur. Insérez le tuyau dans l'ensemble de soupapes (fig. 4-16).

Ouvrez la soupape d'eau pour rincer le tuyau, vérifiez que les joints des tuyaux d'eau ne fuient pas et laissez s'écouler l'eau.

## Mise en service du distributeur d'eau

Avant la première utilisation, appuyez plusieurs fois sur la plaque de distribution d'eau pendant une minute. Pour éviter la surchauffe du solénoïde du démarreur de la plaque, n'appuyez pas plus d'une minute. L'eau froide commencera à couler de la sortie.

## 5. Nettoyage et entretien

---

### Dégivrage

Le dégivrage s'effectue automatiquement : il n'est pas nécessaire de dégivrer cet appareil manuellement.

- ⚠ N'UTILISEZ PAS d'appareil mécanique pour accélérer le dégivrage.

### Nettoyage

- ⚠ Débranchez l'appareil avant de commencer à le nettoyer.

Pour limiter les odeurs au maximum, lavez régulièrement les clayettes, bacs, balconnets et parois intérieures.

Retirez les produits alimentaires de l'appareil et ôtez les clayettes.

Lavez l'intérieur à l'eau chaude et au bicarbonate de sodium avec un chiffon doux. Vérifiez ensuite à l'aide d'un torchon adéquat que l'intérieur est bien sec.

- ⚠ N'UTILISEZ PAS d'abrasifs ou de nettoyants agressifs susceptibles d'endommager l'intérieur de l'appareil.

Les clayettes et autres accessoires (pièces en plastique et en verre) peuvent être lavés dans l'évier avec un liquide vaisselle et à l'eau chaude. Vérifiez qu'il ne reste plus de savon et que toutes les pièces sont bien sèches avant de les replacer dans l'appareil.

Les joints de portes doivent toujours être propres.

- ⚠ Le réfrigérateur est lourd. Lorsque vous le déplacez, prenez soin de protéger le sol. Maintenez le réfrigérateur en position verticale et ne l'inclinez pas, de manière à protéger le sol.
- ⚠ N'ASPERGEZ et NE RINCEZ PAS le réfrigérateur avec de l'eau ou tout autre liquide. Cela pourrait endommager les pièces électriques.
- ⚠ Utilisez un chiffon sec lorsque vous nettoyez à proximité des pièces électriques (lumière ou interrupteur).
- ⚠ NE NETTOYEZ PAS le réfrigérateur avec une brosse dure ou métallique.
- ⚠ N'UTILISEZ PAS de solvant organique (détergent, essence, laque, diluants, acétone ou acide).
- ⚠ Pour que votre peau ne colle pas aux parties froides en acier, veillez à ne pas toucher avec vos mains mouillées.
- ⚠ N'UTILISEZ PAS d'eau CHAUDE pour laver les clayettes en verre pour éviter de les briser ou de les fêler.
- ⚠ Après avoir installé un nouveau filtre à eau, jetez toute la glace produite dans les 24 heures qui suivent.

### Arrêt du réfrigérateur

En cas de coupure de courant, les produits restent froids pendant environ 5 heures.

En cas de coupure de courant prolongée, vous devrez peut-être retirer les produits du compartiment de congélation et les stocker dans un endroit froid, enveloppé dans du papier journal pour préserver la température adéquate.

Une fois le courant rétabli, remplacez les produits dans le compartiment du congélateur.

Si les produits commencent à dégeler, ou si la coupure de courant dure plus longtemps que prévu, nous vous conseillons de consommer les produits retirés du congélateur.

Si la coupure d'alimentation est courte, la plupart des produits peuvent être laissés dans le compartiment de congélation (le meilleur moyen de préserver la température) entourés de glaçons produits par la machine à glace. C'est aussi la bonne solution pour les coupures d'alimentation dont vous avez peut-être été prévenu.

D'une manière générale, en cas de coupure d'alimentation, n'ajoutez pas de produits alimentaires dans le congélateur.

### Absence d'utilisation

Si vous n'utilisez pas l'appareil pendant une période prolongée, nous vous recommandons de couper l'alimentation électrique, de le vider de tous les aliments, puis lavez l'intérieur de l'appareil et laissez la porte entrouverte. Vous économiserez de l'énergie et éviterez le développement d'odeurs de renfermé.

### Filtre à eau

Pour conserver la qualité de l'eau, vous devez remplacer le filtre de temps en temps. Nous recommandons de remplacer le filtre tous les 6 mois. Cependant, si la qualité de l'eau montre des signes de détérioration visuelle ou gustative, vous devez changer le filtre plus souvent.

## 6. Dépannage

Avant d'appeler le service d'assistance, consultez le tableau ci-dessous, il pourrait vous faire économiser du temps et de l'argent.

Problème	Cause	Solution
<b>La température est trop basse</b>		
1.1 La température à l'intérieur du congélateur est trop basse, mais pas la température des produits frais.	1.1.1 Le réglage de la température à l'intérieur de la section de congélation est trop bas.	1.1.1.1 Remontez légèrement la température du congélateur et attendez 24 heures pour atteindre l'équilibre.
1.2 La température à l'intérieur du compartiment des produits frais est trop froide, mais pas celle du congélateur.	1.2.1 La température dans la partie produits frais est trop basse.	1.2.1.1 Augmentez légèrement la température de la partie produits frais. Les températures atteindront l'équilibre dans les 24 heures.
1.3 Les produits stockés dans tout le garde-manger sont congelés.	1.3.1 Le régulateur de la partie produits frais est réglé à une température trop basse.	1.3.1.1 Augmentez légèrement la température du régulateur des produits frais. La nouvelle température atteindra l'équilibre dans les 24 heures.
1.4 Les produits rangés dans les bacs sont congelés.	1.4.1 La température du compartiment produits frais est trop basse.	1.4.1.1 Augmenter légèrement la température du régulateur des produits frais et/ou abaisser le régulateur d'humidité préviendra la formation de givre ou de glace.
1.5 L'écran du distributeur affiche des codes d'erreur.	1.5.1 Un problème de fonctionnement électronique est survenu.	1.5.1.1 Appelez votre technicien de service pour diagnostiquer le problème et apporter des corrections.
<b>La température est trop élevée</b>		
2.1 Les températures des tiroirs du congélateur ou du compartiment produits frais sont trop élevées.	2.1.1 Les portes sont ouvertes fréquemment ou pendant trop longtemps.	2.1.1.1 Essayez d'ouvrir les portes moins souvent.
	2.1.2 Les sont laissées ouvertes.	2.1.2.1 Vérifiez bien que les joints d'étanchéité adhèrent toujours bien au périmètre des portes. Vérifiez toujours la propreté des joints.
2.2 La température est trop élevée dans le congélateur mais pas dans la section des produits frais.	2.2.1 La température du congélateur est trop élevée.	2.2.1.1 Diminuez la température du congélateur. La nouvelle température atteindra l'équilibre dans les 24 heures.
2.3 La température est trop chaude dans la section des produits frais mais pas dans le congélateur.	2.3.1 La température de la section des produits frais est trop élevée.	2.3.1.1 Diminuez légèrement le régulateur de température des aliments. La nouvelle température atteindra l'équilibre dans les 24 heures.
2.4 La température du bac est trop élevée.	2.4.1 La température des produits frais est trop élevée.	2.4.1.1 Diminuez la température des produits frais. La nouvelle température atteindra l'équilibre dans les 24 heures.
<b>Eau, humidité et givre/glace dans le réfrigérateur</b>		
3.1 Formation d'humidité à l'intérieur du réfrigérateur.	3.1.1 L'endroit est chaud ou humide.	3.1.1.1 Essayez d'augmenter légèrement la température dans le compartiment concerné.
	3.1.2 La porte est ouverte.	3.1.2.1 Vérifiez que les joints de porte sont propres et adhèrent bien au cadre métallique.
	3.1.3 La porte ou le tiroir est ouvert(e) trop souvent ou pendant trop longtemps.	3.1.3.1 Ouvrez les portes moins souvent.
	3.1.4 Les conteneurs à aliments ou les liquides sont laissés ouverts.	3.1.4.1 Laissez les aliments chauds refroidir à température ambiante et couvrez les aliments et les liquides.
3.2 Des gouttes d'eau coulent dans la partie basse des bacs.	3.2.1 Le régulateur d'humidité est réglé trop haut.	3.2.1.1 Il est normal qu'un peu d'air humide entre dans le bac. Pour réduire l'accumulation d'humidité, diminuez le régulateur d'humidité, et/ou augmentez la température du compartiment produits frais.

Problème	Cause	Solution
3.3 De l'eau se forme sous les couvercles de verre des bacs.	3.3.1 Humidité provenant des aliments mouillés.	3.3.1.1 Lorsque vous rangez des aliments dans le réfrigérateur, essuyez-les à l'aide d'un chiffon sec pour éliminer l'excès d'humidité.
	3.3.2 Le joint de la porte n'est plus étanche ou la porte est ouverte trop souvent dans un environnement humide.	3.3.2.1 Vérifiez les joints de porte et ouvrez la porte moins souvent. Eventuellement, augmentez la température des produits frais.
Eau/humidité/givre à l'extérieur du réfrigérateur		
4.1 L'air humide forme des gouttes d'eau sur les parois externes du réfrigérateur.	4.1.1 L'air chaud et humide dans l'atmosphère se mêle à l'air plus frais sortant du joint de la porte au niveau des produits frais et du congélateur, ce qui provoque la condensation.	4.1.1.1 Un peu de condensation ou d'humidité est normal. Essayez-la à l'aide d'un chiffon sec pour améliorer les performances.
		4.1.1.2 Une légère hausse de température interne peut réduire cette humidité.
		4.1.1.3 Vérifiez que le joint de la porte est bien étanche et propre.
Machine à glace automatique		
5.1 En cas de mauvais fonctionnement du distributeur de glace.	5.1.1 Les glaçons collent les uns aux autres.	5.1.1.1 Sortez le bloc de glaçons, brisez-le et ne remettez que les glaçons séparés dans le bac à glaçons.
	5.1.2 Les glaçons peuvent coller les uns aux autres s'ils sont conservés trop longtemps.	5.1.2.1 Voir le point 5.1.1.1 ci-dessus.
5.2 Les glaçons sont trop grands ou trop petits.	5.2.1 L'alimentation en eau de la machine à glace est mal réglée.	5.2.1.1 Ajustez l'alimentation en eau de la machine à glace.
Distributeur d'eau froide et de glace		
6.1 L'eau froide ne se déverse pas.	6.1.1 Le congélateur ou le réfrigérateur n'est pas bien fermé. Le tuyau d'arrivée d'eau n'est pas ouvert.	6.1.1.1 Fermez toutes les portes de l'appareil.  Ouvrez l'ensemble de la conduite d'alimentation en eau.
	6.1.2 Le filtre à eau est bloqué.	6.1.2.1 Remplacez le filtre à eau.
	6.1.3 La conduite d'eau est bloquée.	6.1.3.1 Vérifiez que les tuyaux d'eau ne sont pas pliés ou pincés.
6.2 L'eau a une odeur étrange.	6.2.1 L'eau a été conservée trop longtemps sans être utilisée.	6.2.1.1 Videz 7 verres d'eau et jetez-les. Vérifiez que l'odeur s'améliore.
	6.2.2 La source d'eau potable locale est suspecte.	6.2.1.2 Contactez votre compagnie locale de distribution d'eau pour vérifier la qualité de l'eau.
6.3 La glace n'est pas distribuée.	6.3.1 La porte du congélateur ou du réfrigérateur n'est pas correctement fermée.	6.3.1.1 Fermez toutes les portes de l'appareil.
	6.3.2 Il n'y a pas de glaçons dans le bac.	6.3.2.1 Attendez jusqu'à ce que des glaçons soient distribués.
	6.3.3 La température du congélateur est trop élevée.	6.3.3.1 Diminuez la température du congélateur pour améliorer les performances de la machine à glaçons.
6.4 Le distributeur est bloqué.	6.4.1 L'eau dégivrée a gelé sur le bras.	6.4.1.1 Sortez le bac. Lavez et essuyez le bras. Remplacez le bac.
	6.4.2 Des glaçons sont coincés entre la machine à glace et le bac.	6.4.2.1 Retirez les glaçons entre la machine à glace et le bac.
	6.4.3 Les glaçons collent les uns aux autres.	6.4.3.1 Sortez le bloc de glaçons, brisez-le et ne remettez que les glaçons séparés dans le bac à glaçons.
	6.4.4 D'autres glaçons ont été disposés dans le distributeur.	6.4.4.1 Seuls les glaçons produits par la machine à glace peuvent être utilisés dans le distributeur.

Problème	Cause	Solution
Le réfrigérateur dégage une mauvaise odeur		
7.1 L'intérieur du réfrigérateur est sale.	7.1.1 Les parois, clayettes et balconnets de porte internes doivent être nettoyés.	7.1.1.1 Lavez toutes les surfaces internes à l'eau chaude et à l'aide d'un chiffon doux humide et essuyez bien.
	7.1.2 Les produits du réfrigérateur ont été stockés au-delà de leur durée de vie.	7.1.2.1 Enveloppez et couvrez les aliments pour allonger leur durée de vie.
La porte s'ouvre/se ferme difficilement		
8.1 La porte ferme mal.	8.1.1 La porte est peut-être bloquée par des aliments ou des emballages.	8.1.1.1 Remplacez les clayettes, balconnets ou contenueurs internes pour que la porte puisse se fermer.
	8.1.2 Le niveau du réfrigérateur fait sortir la porte de son positionnement normal.	8.1.2.1 Vérifiez que la porte est bien droite à l'aide de matériaux résistants non inflammables.
	8.1.3 La porte se heurte peut-être à d'autres meubles ou appareils.	8.1.3.1 Prévoyez un espace d'au moins 25 mm des trois côtés et au-dessus des meubles de manière à ne pas bloquer l'ouverture des portes.
Général		
9.1 Le compresseur ne fonctionne pas.	9.1.1 Le réfrigérateur est en mode congélation.	9.1.1.1 Il est normal qu'un réfrigérateur entre en congélation automatiquement. La période de congélation dure environ 30 minutes.
	9.1.2 Le réfrigérateur n'est pas allumé.	9.1.2.1 Vérifiez que le câble d'alimentation est bien branché dans la prise.
		9.1.2.2 Le disjoncteur s'est-il déclenché ? Vérifiez et changez un fusible 13 A et/ou remettez le disjoncteur.
		9.1.2.3 Vérifiez l'alimentation électrique de la pièce. Appelez votre compagnie locale d'électricité.
9.2 Le moteur du réfrigérateur fonctionne souvent ou fonctionne pendant longtemps.	9.2.1 La température ambiante est élevée.	9.2.1.1 Il est normal que le réfrigérateur fonctionne en continu.
	9.2.2 La machine à glace est en service.	9.2.2.1 C'est normal : la machine à glace requiert une charge de travail supplémentaire pour le réfrigérateur.
	9.2.3 Les portes sont souvent ouvertes et fermées.	9.2.3.1 Essayez d'ouvrir les portes ou les tiroirs moins souvent.
	9.2.4 Les paramètres du congélateur et du compartiment des produits frais sont réglés sur froid.	9.2.4.1 Augmentez légèrement la température du compartiment. La nouvelle température atteindra l'équilibre dans les 24 heures.
	9.2.5 Les joints de la porte sont peut-être sales, abîmés ou fissurés.	9.2.5.1 Nettoyez les joints et/ou chauffez légèrement à l'aide d'un sèche-cheveux de manière à ce que le joint prenne la forme du cadre métallique.
9.3 Le cycle du compresseur se déclenche et s'arrête fréquemment.	9.3.1 Les capteurs de température du compartiment maintiennent le réfrigérateur aux valeurs paramétrées, ce qui provoque le déclenchement du compresseur.	9.3.1.1 C'est normal. Le compresseur du réfrigérateur va garantir le refroidissement nécessaire.
10.1 L'éclairage ne fonctionne pas.	10.1.1 L'interrupteur de la lumière est bloqué à cause de déchets ou particules d'aliments.	10.1.1.1 Déconnectez le câble d'alimentation. Localisez l'interrupteur sur la paroi et bougez-le plusieurs fois pour voir si cela permet de déloger de la nourriture.
	10.1.2 L'alimentation électrique du réfrigérateur est éteinte.	10.1.2.1 Vérifiez que le câble d'alimentation est bien branché dans la prise murale.
11.1 Un signal sonore provient de l'intérieur du réfrigérateur ou du congélateur.	11.1.1 Une porte est ouverte depuis plus de 60 secondes.	11.1.1.1 C'est normal et cela se reproduira chaque minute tant que la porte restera ouverte.



## 7. Informations techniques

---

### Classification

Modèle	HRF-628A*6/HRF-628I*6
Tension d'alimentation électrique et fréquence	220-240 V 50 Hz
Catégorie d'efficacité énergétique	A+
Classe climatique	SN-N-ST
Classement par étoiles du compartiment de congélation	*/***
Réfrigérant	R600a 80g
Capacité brute	610 litres
Capacité nette	550 litres
Capacité nette – compartiment de réfrigération	375 litres
Capacité nette – compartiment de congélation	175 litres
Capacité de congélation/24 heures	10 kg/24 heures
Consommation énergétique/an	420 kW·h/an
Consommation énergétique (EN153)	1,15kW·h/24 heures
Niveau sonore maximal	42 dB(A)
Temps de conservation maximum en cas de coupure de courant	5 heures
Capacité de fabrication de glace	1 kg/24 h

Modèle	HRF-630A*7/HRF-630I*7
Tension d'alimentation électrique et fréquence	220-240 V 50 Hz
Catégorie d'efficacité énergétique	A++
Classe climatique	SN-N-ST-T
Classement par étoiles du compartiment de congélation	*/***
Réfrigérant	R600a 80g
Capacité brute	610 litres
Capacité nette	550 litres
Capacité nette – compartiment de réfrigération	375 litres
Capacité nette – compartiment de congélation	175 litres
Capacité de congélation/24 heures	10 kg/24 heures
Consommation énergétique/an	355kW h/an
Consommation énergétique (EN153)	0.97kW h/24 heures
Niveau sonore maximal	42 dB(A)
Temps de conservation maximum en cas de coupure de courant	5 heures
Capacité de fabrication de glace	1 kg/24 h

---

## Prima di utilizzare il frigorifero per la prima volta

Utilizzo previsto: l'apparecchio è progettato per l'utilizzo domestico in ambiente chiuso e asciutto. Ogni altro utilizzo è considerato improprio e può causare danni, nel qual caso la responsabilità del produttore cessa.

### *Operazioni da effettuare...*

Assicurarsi che la spina non sia incastrata sotto al frigorifero. Quando si disinserisce la spina del frigorifero, tirare la spina e non il cavo.

Fare attenzione a non schiacciare il cavo di alimentazione o danneggiarlo durante lo spostamento del frigorifero dalla parete. Verificare che la spina non sia danneggiata. In caso contrario, disattivare l'alimentazione elettrica, se possibile, e scollegare la spina con cautela, quindi contattare un tecnico dell'assistenza autorizzato per la sostituzione.

Assicurarsi che non ci siano perdite di gas o altro gas infiammabile in prossimità del frigorifero. In caso di perdite, chiudere la valvola del gas che sta fuoriuscendo, aprire le porte e le finestre ma non collegare o scollegare i cavi di alimentazione del frigorifero o di qualsiasi altro apparecchio. Per operazioni di pulizia, manutenzione o sostituzione della lampadina, scollegare il frigorifero.

Utilizzare la maniglia per aprire gli sportelli facendo attenzione a non schiacciarsi le dita, vista la poca distanza tra di essi.

Dopo aver scollegato il frigorifero, attendere almeno 5 minuti prima di riavviarlo, poiché riavvii frequenti possono danneggiare il compressore.

Mantenere le aperture per la ventilazione libere da ostruzioni. Quando non si utilizza il frigorifero, per evitare che i bambini vi rimangano accidentalmente chiusi all'interno, rimuovere gli sportelli, le guarnizioni e i ripiani e conservarli in un luogo idoneo. Posizionare il frigorifero in un luogo ben ventilato, vicino a una sorgente di acqua potabile.

Assicurarsi che ci siano almeno 20 cm di spazio libero sopra il frigorifero e almeno 10 cm intorno.

Posizionare l'apparecchio in modo che la spina sia accessibile.

### *Operazioni da non effettuare...*

Il frigorifero è progettato per funzionare con un'alimentazione di 220-240 VAC/50 Hz. Se la tensione elettrica non è appropriata, la fluttuazione potrebbe non consentire l'avvio dell'apparecchio oppure arrecare danni al regolatore della temperatura o al compressore.

Inoltre, potrebbe causare rumori anomali durante il funzionamento del compressore. In tal caso, utilizzare un regolatore automatico. Il frigorifero deve essere collegato a una presa dedicata con messa a terra. Il cavo di alimentazione del frigorifero è dotato di una spina a 3 poli (messa a terra) adatta a una presa a 3 fori (messa a terra). Non tagliare o smontare il terzo polo (messa a terra). Dopo l'installazione del frigorifero, è necessario che la spina sia accessibile.

Non conservare materiale infiammabile, esplosivo o corrosivo nel frigorifero.

Non conservare medicinali, agenti batterici o chimici nel frigorifero. Il frigorifero è progettato per uso domestico. Si consiglia di non conservare materiali che necessitano di una temperatura precisa.

Non conservare o utilizzare benzina o altre sostanze infiammabili in prossimità del frigorifero, per evitare il rischio di incendi.

Non posizionare oggetti instabili (oggetti pesanti o contenitori pieni di liquidi) sul frigorifero, per evitare lesioni a persone causate dalla caduta di tali oggetti o da scosse elettriche prodotte dal contatto con l'acqua.

---

Non far oscillare lo sportello o la rastrelliera portabottiglie dello sportello. Per evitare che il frigorifero si ribalti, aprire lo sportello facendolo ruotare verticalmente e tirare la rastrelliera portabottiglie.

Non salire sullo sportello, sul cassetto o sui ripiani del vano congelatore per conservare o prendere alimenti e bevande. Non toccare la superficie interna del vano congelatore mentre è in funzione poiché è possibile che le mani restino attaccate, specialmente se sono bagnate.

Per garantire l'isolamento elettrico del frigorifero, non utilizzare spray né acqua durante la pulizia. Non collocare il frigorifero in un luogo umido o dove può essere raggiunto da schizzi d'acqua. Pulire ed asciugare gli schizzi d'acqua e le macchie con un panno morbido e pulito.

Non smontare o modificare il frigorifero senza autorizzazione. Movimenti bruschi possono arrecare danno ai tubi di raffreddamento. Ciò potrebbe determinare danni alla proprietà o lesioni alle persone.

La manutenzione del frigorifero deve essere effettuata solo da personale esperto.

Non conservare mai nel congelatore bottiglie contenenti bevande perché potrebbero esplodere durante il congelamento. Non esporre il frigorifero alla luce diretta del sole o in prossimità di stufe, radiatori o altri apparecchi.

Lasciare aperti gli sportelli del frigorifero solo in presenza di adulti e assicurarsi che i bambini non entrino nel frigorifero.

Assicurarsi che i bambini non salgano sul cassetto del congelatore.

Non utilizzare apparecchi elettrici all'interno del frigorifero, ad eccezione di quelli consigliati dal produttore.

Non danneggiare il circuito del refrigeratore.

Non utilizzare asciugacapelli per asciugare l'interno del frigorifero. Non collocare candele accese all'interno del frigorifero per rimuovere cattivi odori.

Non spruzzare materiali volatili, quali insetticidi, sulla superficie dell'apparecchio.

Aprire o chiudere gli sportelli del frigorifero solo quando non ci sono bambini nello spazio coperto dal movimento degli sportelli. L'utilizzo di questo apparecchio non è idoneo per persone con capacità fisiche, sensoriali o mentali ridotte (inclusi bambini) o senza un'adeguata esperienza e conoscenza del suo utilizzo, a meno che non vengano sorvegliate o ricevano istruzioni da una persona responsabile della loro sicurezza.

Non conservare una quantità eccessiva di alimenti nel congelatore per evitare che il compressore funzioni troppo a lungo o che gli alimenti possano cadere. Si consiglia di non superare la linea di carico dei cassettei.

Il peso totale degli alimenti non deve superare i 30 Kg. Per impedire agli alimenti di cadere a terra, non aprire troppo velocemente inclinandolo il cassetto del congelatore.

Non utilizzare nessuno strumento per accelerare il processo di sbrinamento, ad eccezione di quelli consigliati dal produttore. Se si verificano problemi con la lampadina del frigorifero, non sostituirla autonomamente ma contattare il servizio di assistenza clienti.



# Sommario

---

<b>1. Prima di iniziare</b>	<b>1</b>	<b>4. Installazione</b>	<b>15</b>
Sicurezza	1	Posizionamento dell'apparecchio.	15
Informazioni sul gas refrigerante	2	Rimozione e installazione degli sportelli	16
Cura dell'ambiente	2	Livellamento del frigorifero-congelatore e regolazione degli sportelli	17
<b>2. Informazioni sul frigorifero</b>	<b>3</b>	Allineamento degli sportelli	17
Informazioni sullo scomparto degli alimenti freschi	5	Sistemazione delle maniglie	17
Informazioni sul vano congelatore	6	Collegamento elettrico	17
Macchina per il ghiaccio/Distributore dell'acqua	7	Collegamento dell'acqua	18
Home Bar	7	<b>5. Pulizia e manutenzione</b>	<b>19</b>
Funzionamento frigorifero-congelatore	9	Scongelamento	19
Funzionamento del distributore di acqua e ghiaccio	12	Pulizia	19
Sicurezza	12	Spegnimento del frigorifero	19
Sbrinamento automatico	12	Quando l'apparecchio non è in uso.	19
Funzione di allarme	12	Filtro dell'acqua	19
Spegnimento del display	12	<b>6. Risoluzione dei problemi</b>	<b>20</b>
<b>3. Suggerimenti sulla conservazione degli alimenti</b>	<b>13</b>	<b>7. Dati tecnici</b>	<b>23</b>
Suggerimenti per la conservazione di alimenti freschi	13		
Suggerimenti sul congelamento degli alimenti	14		

- Prima dell'avvio, assicurarsi di leggere la guida per l'utente.
- Riporre la guida per l'utente in un luogo sicuro.
- Mantenere libere da ostruzioni le aperture di ventilazione nell'involucro dell'apparecchio o nella struttura ad incasso.
- Non utilizzare dispositivi meccanici o altri strumenti diversi da quelli consigliati dal produttore per accelerare il processo di sbrinamento.
- Non danneggiare il circuito del refrigeratore.
- Non utilizzare apparecchi elettrici nei vani di conservazione degli alimenti, ad eccezione di quelli consigliati dal produttore.
- In base alla nostra politica di miglioramento continuo, ci riserviamo il diritto di modificare le specifiche senza preavviso.

# 1. Prima di iniziare

---

Grazie per aver acquistato questo apparecchio frigorifero/ congelatore. Ci auguriamo che l'apparecchio fornisca una soluzione pratica ed elegante per le vostre esigenze di raffreddamento. Raccomandiamo di leggere questo manuale prima di utilizzare il frigorifero congelatore. Conservare il presente manuale in un posto sicuro e metterlo a disposizione di qualsiasi nuovo proprietario. Ci auguriamo che il presente manuale fornisca tutte le informazioni necessarie. Preghiamo di contattarci in caso di dubbi (per informazioni dettagliate sull'assistenza clienti, vedere la sezione Garanzia).

- ▲ **ATTENZIONE** Assicurarsi che il frigorifero sia collegato a una presa dotata di messa a terra.
- ▲ Lasciare l'apparecchio spento per almeno 6 ore. Ciò consentirà al sistema di raffreddamento di stabilizzarsi dopo il trasporto.
- ▲ Assicurarsi che l'apparecchio sia sempre installato da personale qualificato.
- ▲ Il vano congelatore è a 4 stelle.
- ▲ Il presente apparecchio è progettato esclusivamente per uso domestico. L'utilizzo dell'apparecchio per qualsiasi altro scopo può invalidare qualsiasi garanzia o richiesta di indennizzo.
- Prima di collegare l'apparecchio all'alimentazione principale, pulire il vano interno utilizzando acqua calda e bicarbonato di sodio, quindi asciugare accuratamente.
- Verificare che nessuna parte dell'apparecchio sia danneggiata, soprattutto le parti del sistema di raffreddamento, tubi e cavi. In presenza di danni, NON installare l'apparecchio e contattare un tecnico qualificato o l'assistenza clienti.
- In caso di spostamento degli accessori interni dell'apparecchio durante il trasporto, riposizionarli in base alle istruzioni fornite.
- Assicurarsi che l'alimentazione elettrica della presa sia corretta per l'apparecchio. Le informazioni relative all'alimentazione richiesta sono specificate sull'etichetta dell'apparecchio. L'etichetta è situata all'interno dell'apparecchio (parte superiore del vano frigorifero).
- Una volta installato, pulito e lasciato in verticale per l'assestamento dopo il trasporto, l'apparecchio è pronto per essere collegato all'alimentazione e messo in funzione.

## Sicurezza

- ▲ **ATTENZIONE** Utilizzare unicamente acqua potabile.
- ▲ **ATTENZIONE** Tenere l'apparecchio libero da qualsiasi ostruzione.
- ▲ **NON** danneggiare il circuito del refrigeratore. In presenza di danni, non utilizzare l'apparecchio.

- ▲ **ATTENZIONE NON** utilizzare dispositivi meccanici (ad esempio asciugacapelli) per sbrinare l'apparecchio.
- ▲ **ATTENZIONE È NECESSARIO** far defluire acqua all'interno dei tubi dell'acqua e del ghiaccio prima dell'utilizzo. Fare riferimento alla sezione Macchina per il ghiaccio/Distributore dell'acqua di questo manuale.
- Durante la sostituzione di apparecchi obsoleti, assicurarsi di aver disattivato qualsiasi dispositivo di blocco prima dello smaltimento. È suggeribile rimuovere completamente lo sportello dell'apparecchio per evitare che i bambini restino bloccati all'interno.
- L'apparecchio deve essere collegato all'alimentazione elettrica in modo sicuro. Collegamenti allentati, spine danneggiate e cavi elettrici scoperti rappresentano un rischio per la sicurezza. Verificare che tutti i collegamenti siano ben saldi.
- Prima di procedere con qualsiasi tipo di manutenzione di routine o con riparazioni minori, scollegare l'apparecchio dall'alimentazione elettrica. Ciò include le operazioni di pulizia e la sostituzione di lampadine.
- NON toccare le superfici fredde dell'apparecchio durante il funzionamento, in quanto la pelle potrebbe rimanere attaccata alla superficie con conseguenti ustioni da congelamento.
- Durante lo spostamento dell'apparecchio, fare attenzione a non danneggiare cavi, tubi o l'unità del condensatore. Nel caso in cui tali elementi dovessero subire danni, contattare un tecnico qualificato.
- I liquidi effervescenti (bevande frizzanti) non devono mai essere congelati. Durante il congelamento, tali liquidi si espandono e ciò può procurare la rottura o l'esplosione di bottiglie e contenitori.
- Gli alimenti che prima devono essere scongelati o cucinati, ad esempio pane e carne, non devono essere consumati in stato di congelamento.
- Se gli alimenti presentano un aspetto o un odore strano, non vanno consumati. Nel dubbio, gettarli via.
- Non utilizzare mai attrezzi metallici appuntiti per grattare via il ghiaccio dalla superficie dell'apparecchio. Utilizzare solo strumenti adatti a questo scopo (come raschietti di plastica), facendo attenzione a evitare di danneggiare le pareti dell'apparecchio.
- Il sistema di raffreddamento contiene refrigerante e oli, che, in caso di perdite, sono dannosi per la salute. Se si dovessero verificare perdite, scollegare l'apparecchio e aerare la stanza. Assicurarsi che il refrigerante non venga a contatto con gli occhi o la zona circostante. Contattare un tecnico oppure predisporre la rimozione dell'apparecchio.

## Sicurezza elettrica

- I collegamenti all'alimentazione principale devono essere conformi alle normative locali.
- La spina DEVE essere accessibile dopo il posizionamento dell'apparecchio.
- Assicurarsi che il frigorifero non blocchi il cavo elettrico.
- Non calpestare il cavo.
- Evitare danni al cavo elettrico durante gli spostamenti del frigorifero.

### **Cavo elettrico danneggiato**

Se il cavo elettrico è danneggiato o usurato, spegnere il frigorifero e consultare il personale autorizzato per la sostituzione.

## Informazioni sul gas refrigerante

**IMPORTANTE:** questo apparecchio è dotato di gas refrigerante ISOBUTANO (R600a). Durante lo spostamento dell'apparecchio, fare attenzione a evitare scossoni e urti che potrebbero danneggiarlo.

Eventuali danni al circuito di raffreddamento, con possibili perdite di gas refrigerante, possono creare il rischio di esplosioni causate da scintille o fiamme esterne.

### **In caso di perdite accidentali**

Far evaporare il materiale facendo attenzione che sia presente una ventilazione adeguata.

### **Caratteristiche del gas**

Il gas refrigerante è altamente infiammabile, pertanto è necessario evitare che venga in contatto con superfici calde o fiamme libere. Il gas R600a è più pesante dell'aria: se rilasciato, si concentra principalmente al livello del pavimento dove la ventilazione è scarsa.

### **Interventi di pronto soccorso**

#### **Inalazione**

Spostare la persona esposta all'area inquinata e posizionarla in un luogo caldo e ben areato.

Una lunga esposizione al gas può provocare l'insorgenza di asfissia e possibili perdite di coscienza. Se necessario, praticare la respirazione artificiale e, nei casi più gravi, amministrare ossigeno sotto la supervisione di un medico.

#### **Contatto con la cute**

L'eventuale contatto cutaneo può risultare pericoloso. Se ciò si verifica, sciacquare a fondo la zona interessata.

Eventuali schizzi di liquido e liquidi nebulizzati possono causare ustioni da congelamento. Sciacquare la parte interessata con acqua abbondante e rivolgersi a un medico per il trattamento delle ustioni.

#### **Contatto con gli occhi**

Sciacquare con acqua abbondante tenendo le palpebre ben aperte e consultare un medico specialista appena possibile.

Per tutti i casi di contatto o di inalazione del gas R600a, raccomandiamo di consultare il proprio medico.

## Cura dell'ambiente

### **Smaltimento dell'imballaggio**

Il frigorifero viene consegnato in un imballaggio di protezione. Tutti i materiali utilizzati sono ecocompatibili per lo smaltimento e possono essere riciclati. È importante contribuire a proteggere l'ambiente, avendo cura di smaltire il materiale di imballaggio in modo adeguato.

### **Smaltimento del frigorifero in disuso**



Il simbolo presente sul prodotto o sull'imballaggio indica che il prodotto non deve essere considerato come un normale rifiuto domestico. Al contrario, deve essere consegnato presso i centri locali di raccolta/riciclaggio dei rifiuti.

Gli apparecchi obsoleti hanno ancora un valore residuo. Un metodo di smaltimento ecocompatibile assicurerà che le materie prime di valore siano recuperate e riutilizzate.

Se un apparecchio ha raggiunto il termine del proprio ciclo di vita, scollegarlo dall'alimentazione principale. Tagliare il cavo di alimentazione e smaltirlo insieme alla presa.

Rendere lo sportello inadatto all'uso (rimuovendo le guarnizioni) o rimuoverlo in modo che i bambini non possano rimanere accidentalmente chiusi all'interno.

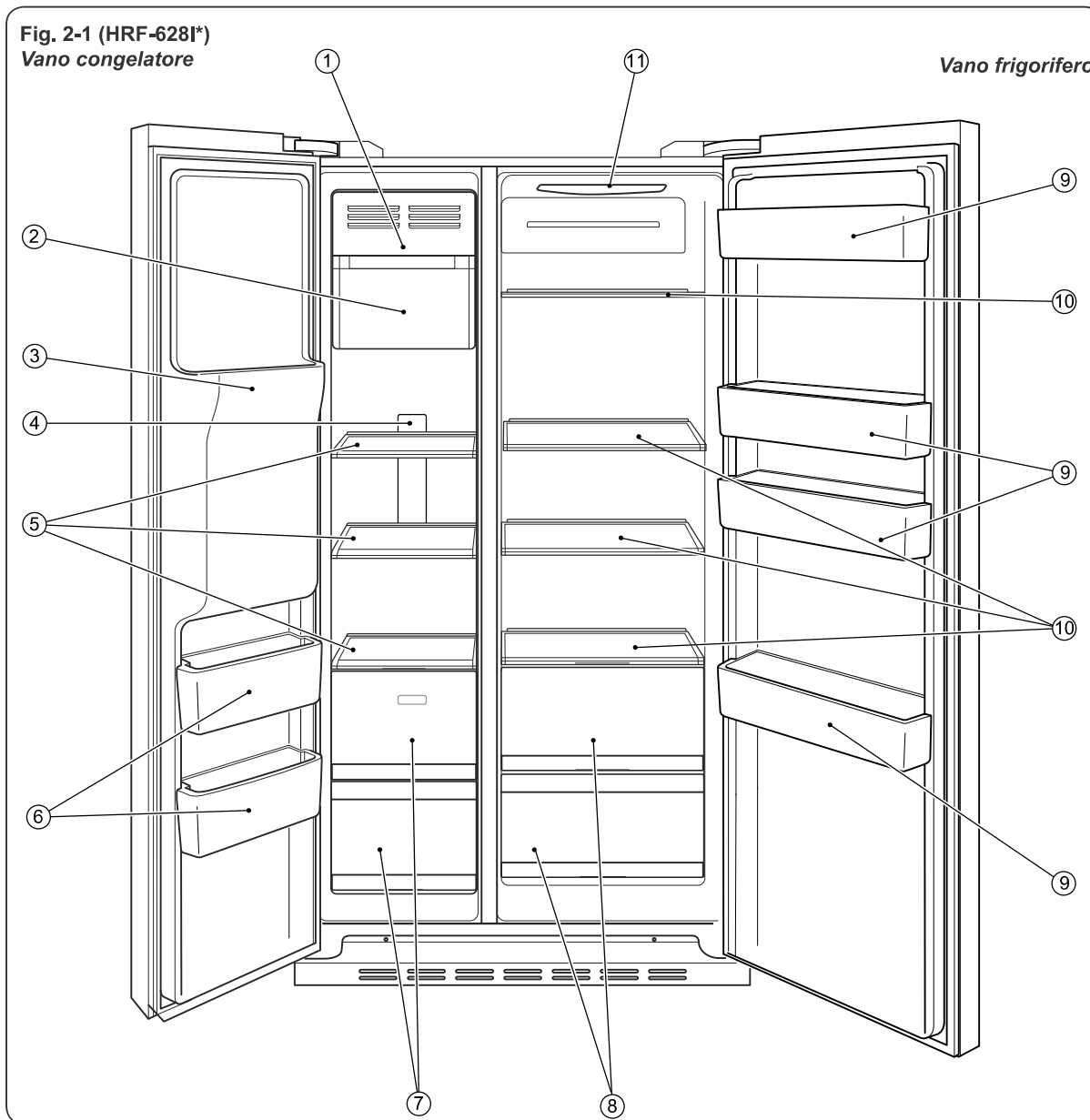
Il ciclopentano, sostanza infiammabile non dannosa per l'ozono, viene utilizzato come espansore per la schiuma isolante.

Durante il trasporto dell'apparecchio, fare attenzione a non danneggiare il circuito di raffreddamento.

Attraverso l'appropriato smaltimento di questo prodotto si contribuisce a evitare potenziali conseguenze negative per l'ambiente e la salute.

Per informazioni più dettagliate sul riciclaggio di questo prodotto, contattare l'ufficio comunale, il servizio locale di smaltimento rifiuti o il negozio in cui è stato acquistato il prodotto.

## 2. Informazioni sul frigorifero

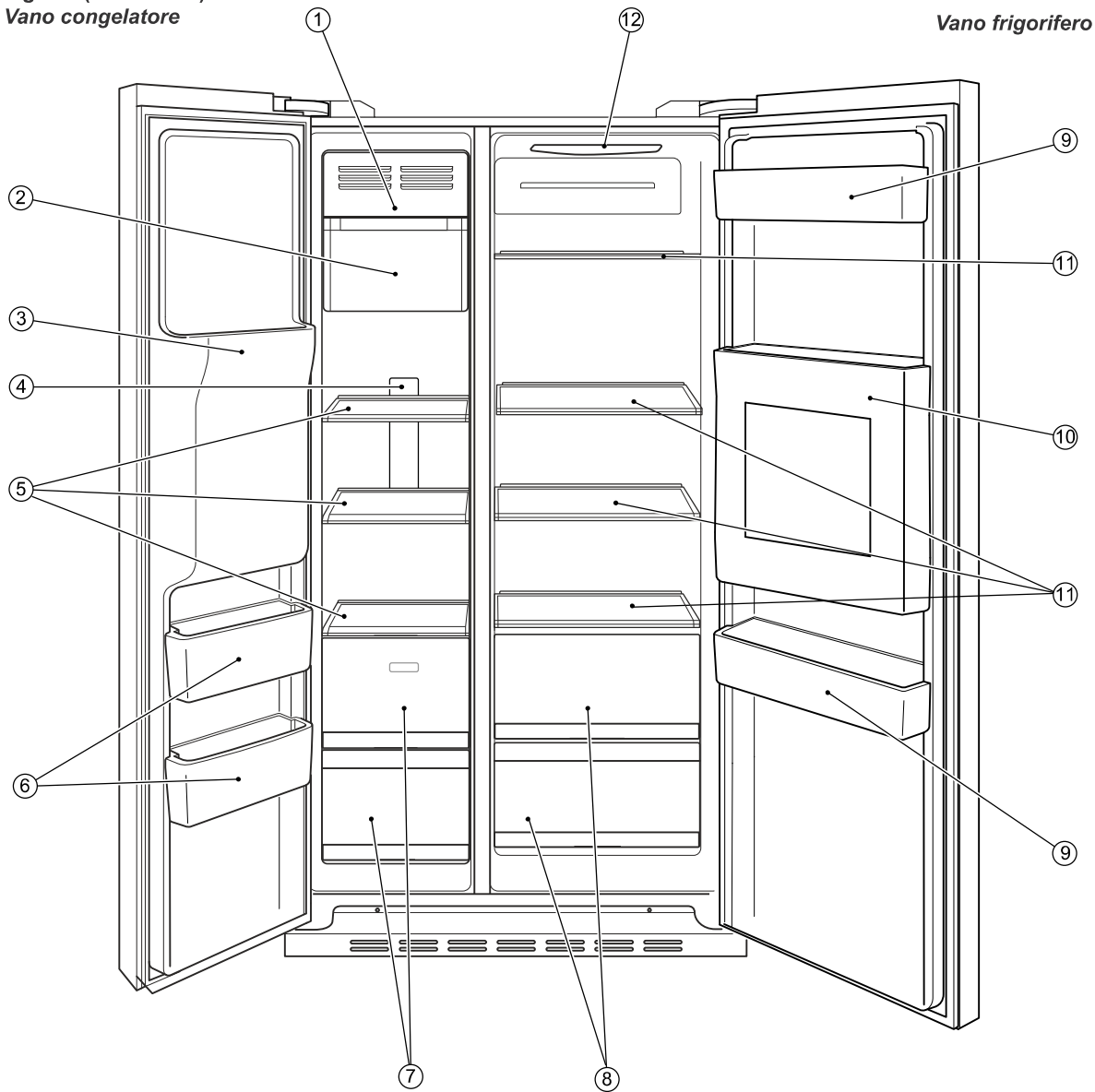


Il frigorifero HRF-628I\* (Fig. 2-1) presenta le seguenti caratteristiche:

1. Scomparto gelati
2. Scomparto ghiaccio con macchina per il ghiaccio (interna allo scomparto)
3. Distributore di acqua e ghiaccio
4. Luce al LED congelatore
5. 3 ripiani per congelamento
6. 2 contenitori sullo sportello congelatore
7. 2 cassette congelatore (HRF-628I\*6)  
3 cassette congelatore (HRF-630I\*7)

8. 2 cassette frutta e verdura (HRF-628I\*6)  
1 cassetto con controllo umidità & 2 cassette frutta e verdura (HRF-630I\*7)
  9. 4 contenitori sullo sportello frigorifero
  10. 4 ripiani frigorifero
  11. Luce al LED frigorifero
- CFC free e frost free
- Opzioni Super Freeze, Super Cool e Holiday
- Display automatico della temperatura

**Fig. 2-2 (HRF-628A\*)**  
**Vano congelatore**



Il frigorifero HRF-628A\* (Fig. 2-2) presenta le seguenti caratteristiche:

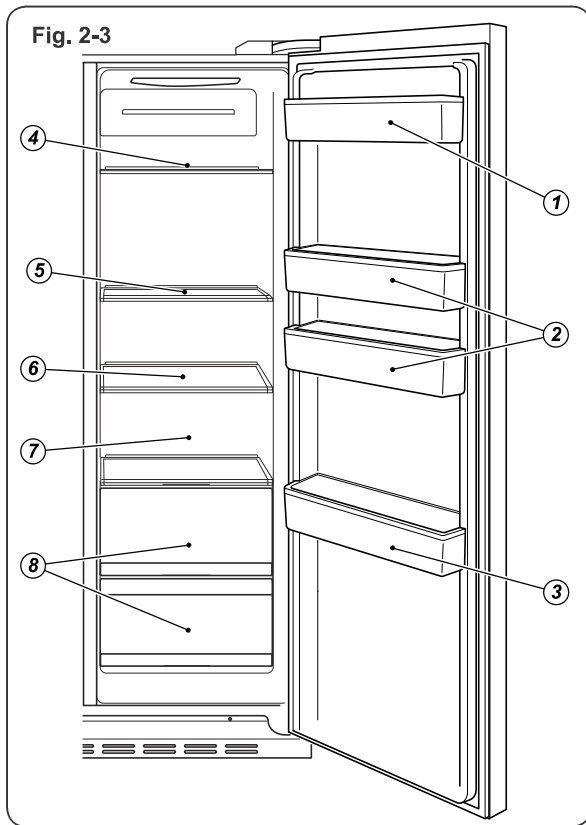
1. Scomparto gelati
2. Scomparto ghiaccio con macchina per il ghiaccio (interna allo scomparto)
3. Distributore di acqua e ghiaccio
4. Luce al LED congelatore
5. 3 ripiani per congelamento
6. 2 contenitori sullo sportello congelatore
7. 2 cassette congelatore (HRF-628A\*6)  
3 cassette congelatore (HRF-630A\*7)
8. 2 cassette frutta e verdura (HRF-628A\*6)  
1 cassetto con controllo umidità & 2 cassette frutta e verdura (HRF-630A\*7)

9. 2 contenitori sullo sportello frigorifero
10. Coperchio interno Home Bar
11. 4 ripiani frigorifero
12. Luce al LED frigorifero

CFC free e frost free

Opzioni Super Freeze, Super Cool e Holiday

Display automatico della temperatura



## Informazioni sullo scomparto degli alimenti freschi

È consigliabile lasciare spazio tra gli alimenti riposti per una circolazione ottimale dell'aria fredda. Le temperature all'interno del frigorifero sono leggermente più alte nella parte superiore e più basse nella parte inferiore.

Gli alimenti più soggetti a deperimento devono essere riposti nella parte posteriore dell'apparecchio, dove la temperatura è più bassa.

Suggerimento per la conservazione (Fig. 2-3):

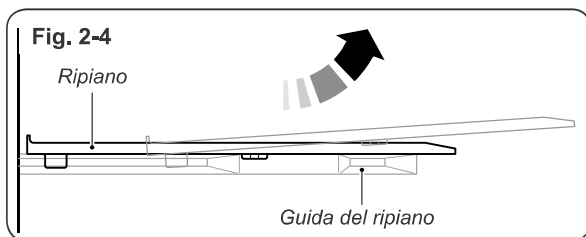
1. Uova, burro, formaggio, ecc.
2. Lattine, barattoli, salse, ecc.
3. Bevande e tutti i tipi di alimenti in bottiglia.
4. Alimenti sottaceto, bevande o lattine.
5. Carne, pollame e cibi crudi.
6. Prodotti farinacei, lattine, latticini, ecc.
7. Alimenti cotti, insaccati, ecc.
8. Frutta, verdura e insalata.

## Ripiani

L'altezza dei ripiani può essere regolata in base alle esigenze di conservazione.

I ripiani non sono soggetti a spostamento accidentale quando si rimuovono gli alimenti dall'apparecchio.

**▲ Nel regolare l'altezza di un ripiano, rimuovere prima gli alimenti riposti su di esso.**



## Ripiani

Per rimuovere un ripiano, inclinare verso l'alto la parte anteriore in modo da sollevare i piedini di sostegno dalle guide laterali (Fig. 2-4) e tirare verso di sé. Mantenere il ripiano inclinato per consentire ai blocchi di sostegno di liberare le guide laterali.

Durante il riposizionamento, assicurarsi che il ripiano sia completamente spinto verso il fondo e che i blocchi di sostegno siano riposizionati in modo sicuro.

## Luci

La luce al LED interna si accende all'apertura dello sportello. Le prestazioni della luce non sono condizionate da nessun'altra impostazione dell'apparecchio.

## Informazioni sul vano congelatore

Il vano congelatore è composto da 2 cassetti, 1 scomparto gelati, 3 ripiani in vetro e 2 contenitori sullo sportello (Fig. 2-5).

Come per il frigorifero, alcune aree del congelatore sono più indicate per la conservazione di determinati alimenti.

Gelati e sorbetti si conservano meglio nello scomparto gelati o nella parte posteriore dell'apparecchio dove la temperatura è più bassa.

Porzioni di alimenti più ingombranti e pesanti, ad esempio carni miste per arrosti, si conservano meglio nei cassetti in basso, mentre i cibi meno ingombranti vanno riposti sui ripiani. Ciò previene eventuali danni all'apparecchio.

È consigliabile verificare sempre che gli alimenti siano adatti al congelamento e riposti in modo adeguato nell'apparecchio.

- ▲ Mantenere una distanza minima di 10 mm tra gli alimenti riposti e il sensore per garantire gli effetti del raffreddamento.
- ▲ Tenere il cassetto inferiore chiuso quando il frigorifero è in funzione per garantire gli effetti del raffreddamento.

## Ripiani

Per rimuovere un ripiano, inclinare verso l'alto la parte anteriore in modo da sollevare i piedini di sostegno dalle guide laterali (Fig. 2-6) e tirare verso di sé. Mantenere il ripiano inclinato per consentire ai blocchi di sostegno di liberare le guide laterali.

Durante il riposizionamento, assicurarsi che il ripiano sia completamente spinto verso il fondo e che i blocchi di sostegno siano riposizionati in modo sicuro.

## Luci

Le luci al LED interne si accendono all'apertura dello sportello. Le prestazioni delle luci non sono condizionate da nessun'altra impostazione dell'apparecchio.

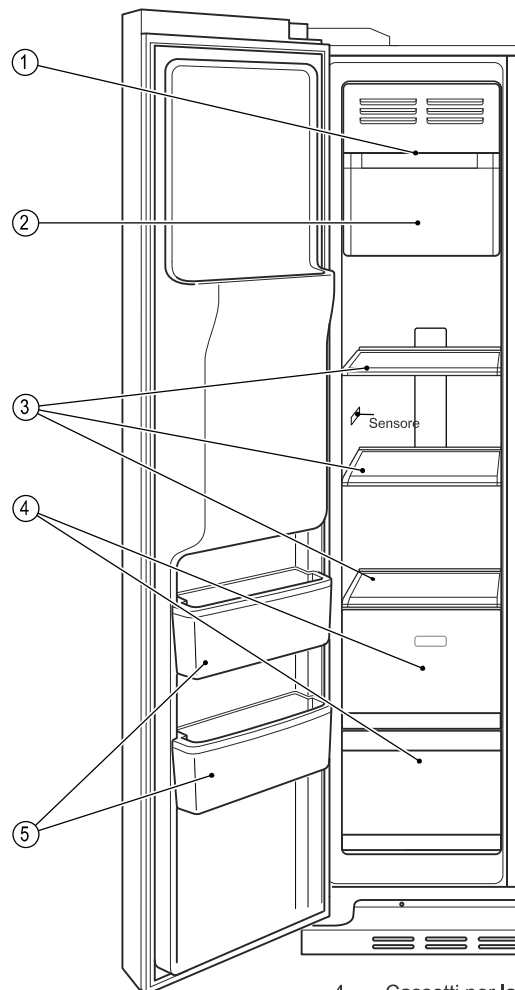
## Scongelamento degli alimenti per la cottura

Nel caso di scongelamento parziale, consumare gli alimenti appena possibile in quanto lo scongelamento può avere effetti sulla qualità.

- ▲ Assicurarsi sempre che gli alimenti siano completamente scongelati prima di procedere con la cottura, in modo particolare con il pollame, in quanto può essere dannoso per la salute.

Per lo scongelamento di cibi pronti, attenersi sempre alle istruzioni di scongelamento indicate sulla confezione. Le indicazioni fornite dal produttore sono le più valide poiché alcuni cibi congelati vanno cucinati direttamente senza essere scongelati.

Fig. 2-5



- |                                 |                                  |
|---------------------------------|----------------------------------|
| 1. Scomparto gelati             | 4. Cassetti per la conservazione |
| 2. Scomparto ghiaccio           | 5. Contenitori sullo sportello   |
| 3. Ripiani per la conservazione |                                  |

Fig. 2-6

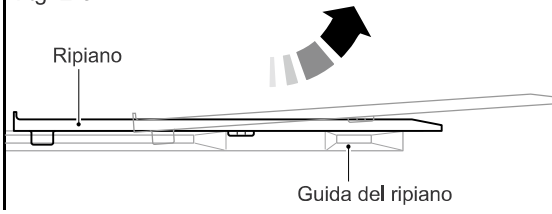


Fig. 2-7

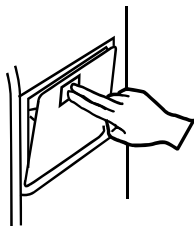


Fig. 2-8

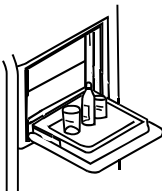


Fig. 2-9

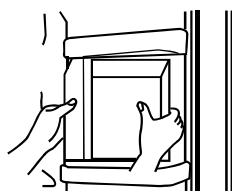
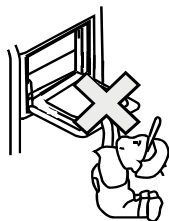


Fig. 2-10



## Macchina per il ghiaccio/Distributore dell'acqua

### Precauzioni

- Non esporre MAI il tubo dell'acqua a temperature inferiori a 0 °C per evitare il congelamento.
- Verificare la presenza di perdite del tubo, facendo scorrere acqua all'interno e assicurandosi che defluisca regolarmente.
- Una volta posizionato l'apparecchio nel luogo desiderato, assicurarsi che il tubo dell'acqua sia disposto in modo che non venga danneggiato da piegature e attorcigliamenti e che non sia esposto a fonti di calore.
- Una volta raggiunta la temperatura interna di -12 °C, il congelatore inizia la produzione di ghiaccio.
- NON utilizzare la macchina per il ghiaccio in modo eccessivo. Utilizzando troppo spesso il pulsante per i cubetti di ghiaccio, esso entrerà in modalità di spegnimento. Ciò è perfettamente normale; è necessario attendere 1 ora prima di riprovare a riutilizzare il pulsante.
- NON utilizzare oggetti di vetro delicati o fragili.
- NON toccare l'apertura di uscita dei cubetti di ghiaccio con le mani o con qualsiasi strumento per evitare lesioni o danni.
- NON aggiungere acqua manualmente in quanto il sistema è automatico. Se la macchina per il ghiaccio è accesa ma l'apparecchio non è collegato all'impianto idraulico, la macchina non funzionerà.

### Funzionamento della macchina per il ghiaccio

La capacità di produzione del ghiaccio è di 1 Kg ogni 24 ore (risultato ottenuto in laboratorio ad una temperatura ambiente di -32 °C). Durante l'utilizzo quotidiano dell'apparecchio, a causa di variazioni della temperatura ambiente e della pressione dell'acqua, la capacità di produzione di ghiaccio può leggermente variare.

Non riporre i primi cubetti di ghiaccio prodotti dopo l'avvio dell'apparecchio o dopo un'interruzione prolungata. Gettare via i cubetti.

Per consentire alla vaschetta dei cubetti di ghiaccio di riempirsi alla massima capacità, è necessario sistemare manualmente i cubetti in modo sistematico.

Alcuni cubetti di ghiaccio possono rimanere attaccati tra loro durante il rilascio nella vaschetta. In tal caso è necessario separarli per sfruttare al massimo la capacità della vaschetta.

### Home Bar

- Per aprire il bar, premere il pulsante dello scomparto (Fig. 2-7). Lo scomparto si apre.  
L'Home Bar può essere utilizzato senza aprire lo sportello dell'apparecchio, consentendo un risparmio energetico. Quando l'Home Bar è aperto, la luce del frigorifero si accende.
  - È possibile posizionare bevande e altri alimenti nell'Home Bar (Fig. 2-8).
  - Non rimuovere il coperchio interno dell'Home Bar (Fig. 2-9). Se il coperchio viene rimosso, l'Home Bar non funzionerà.
  - Tenere lontano i bambini dall'Home Bar (Fig. 2-10) in quanto potrebbero riportare lesioni e l'Home Bar potrebbe danneggiarsi.
- ▲ Richiudere l'Home Bar appena possibile per mantenere bassa la temperatura all'interno dell'apparecchio. Se lo sportello non viene richiuso correttamente, il sistema di allarme viene attivato.

## Primo utilizzo della macchina per il ghiaccio/distributore dell'acqua

⚠ **NON consumare i primi sette bicchieri (circa) di acqua in quanto potrebbero contenere polvere e/o impurità provenienti dai tubi dell'acqua.**

Ciò assicurerà che i tubi siano puliti. Nel dubbio, continuare a riutilizzare il distributore finché l'acqua che fuoriesce non è pulita.

## Rumori durante la produzione di ghiaccio

Il processo di produzione del ghiaccio può essere rumoroso. È possibile avvertire il rumore del ghiaccio rilasciato nel relativo scomparto. Ciò è perfettamente normale.

## Conservazione del ghiaccio per periodi prolungati

Il ghiaccio conservato per molto tempo, può assumere un colore opaco e un odore strano. Si consiglia di gettare via il ghiaccio, di rimuovere e pulire la vaschetta. Lasciare che la vaschetta si asciughi completamente e si raffreddi prima di riposizionarla nell'apparecchio per evitare che il ghiaccio rimanga attaccato.

## Come evitare la produzione di ghiaccio

Se non si necessita di ghiaccio per un periodo di tempo prolungato (es. in inverno), è possibile disattivare la valvola tra l'impianto idraulico e l'apparecchio. È consigliabile pulire la vaschetta del ghiaccio, asciugarla accuratamente e riposizionarla nell'apparecchio. Ciò eviterà la produzione di qualsiasi odore.

## Installazione e rimozione del cassetto per la conservazione dei cubetti di ghiaccio

Per rimuovere la vaschetta del ghiaccio, sollevare la parte centrale ed estrarre il cassetto, rilasciando l'unità (Fig. 2-11).  
Nota: l'acqua di condensa congelata potrebbe bloccare la vaschetta.

Se la vaschetta non si riposiziona facilmente, rimuovere il meccanismo a camme e ruotarlo di 90° in senso orario (Fig. 2-12). Reinstallare la vaschetta, facendo attenzione che il fermo sul contenitore si inserisca completamente nella guida del ripiano.

## Mancato funzionamento della macchina per il ghiaccio

Il volume della vaschetta è pari alla quantità di cubetti di ghiaccio che l'apparecchio è in grado di produrre in un giorno. A volte, nella vaschetta può rimanere una piccola quantità di cubetti di ghiaccio. Se il ghiaccio rimane bloccato, ciò provocherà un funzionamento anomalo della macchina per il ghiaccio. Per evitare questo problema, rimuovere la vaschetta del ghiaccio e sistemare i cubetti rimuovendo quelli che sono attaccati.

⚠ Mantenere sempre l'uscita del ghiaccio pulita e libera da ostacoli.

⚠ Rimuovendo la vaschetta del ghiaccio si ottiene spazio supplementare per la conservazione di alimenti. Installare il portabottiglie supplementare in dotazione sopra la scanalatura dello sportello del congelatore per agevolare il posizionamento degli alimenti (Fig. 2-13).

Fig. 2-11

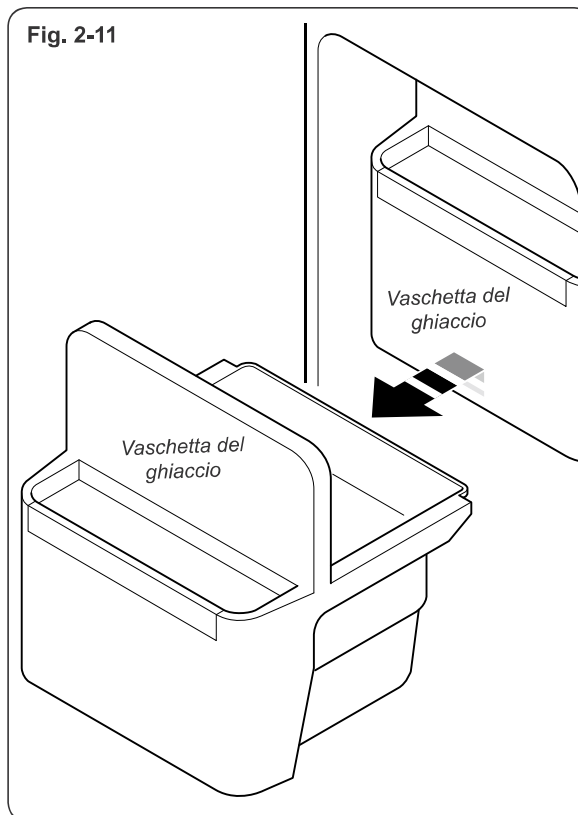


Fig. 2-12

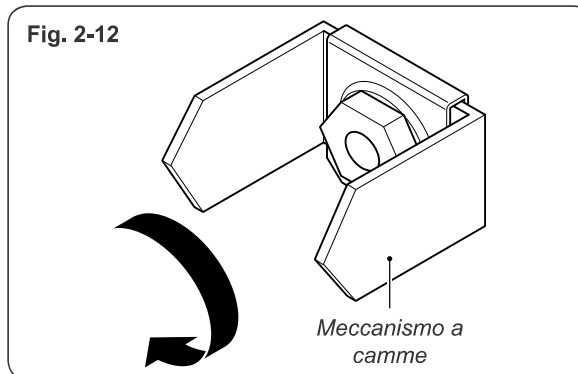
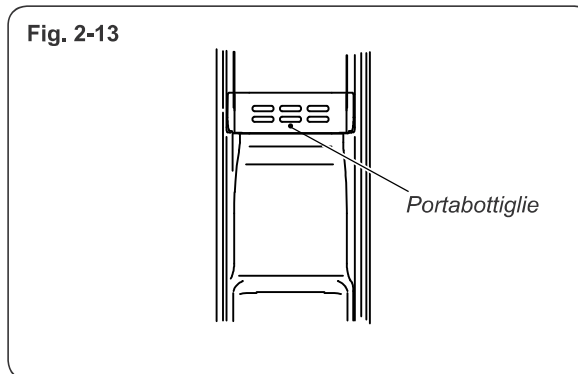
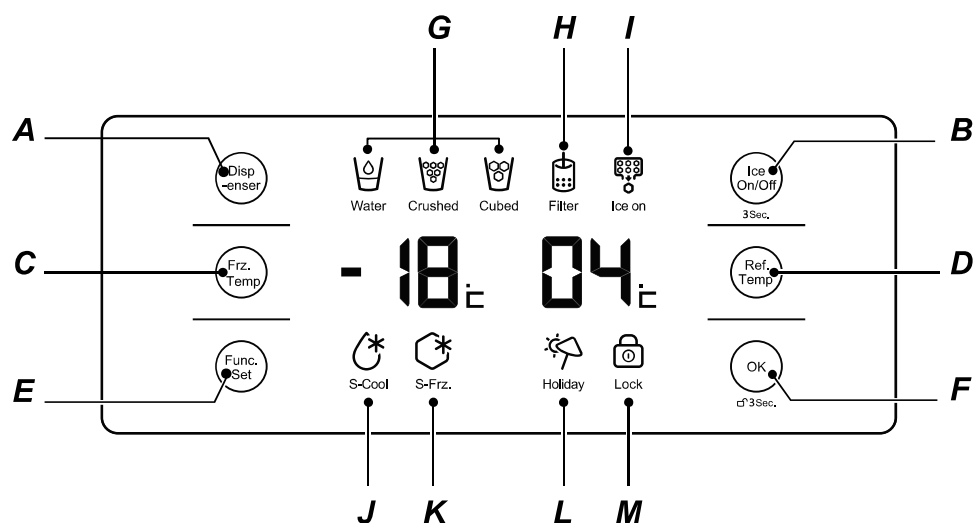


Fig. 2-13



## Funzionamento frigorifero-congelatore

Fig. 2-14



A – Pulsante di selezione del distributore

B – Pulsante di accensione/ spegnimento della macchina per il ghiaccio

C – Pulsante della temperatura del congelatore

D – Pulsante della temperatura del frigorifero

E – Pulsante di selezione delle funzioni

F – Pulsante di conferma delle funzioni

G – Icona dello stato del distributore

H – Icona dello stato di sostituzione del filtro

I – Icona dello stato di attivazione della macchina per il ghiaccio

J – Icona Quick Chill

K – Icona Quick Freeze

L – Icona modalità Holiday

M – Icona di blocco

Il display digitale del distributore dell'acqua e del ghiaccio e i pulsanti delle funzioni sono mostrati nella figura 2-14.

### ▲ ATTENZIONE

Non è possibile regolare le impostazioni della temperatura quando l'apparecchio è in modalità Quick Freeze o Lock.

Se si tenta di regolare le impostazioni in queste modalità, l'icona della funzione speciale accanto al display della temperatura del congelatore lampeggerà e verrà emesso un segnale acustico ad indicare che in quel momento non è possibile regolare la temperatura.

Fig. 2-15

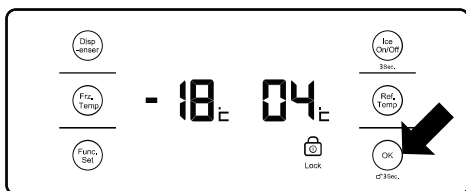


Fig. 2-16

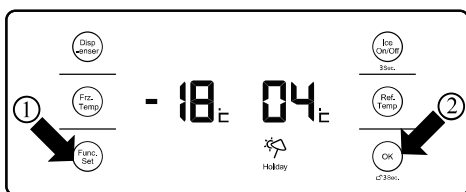
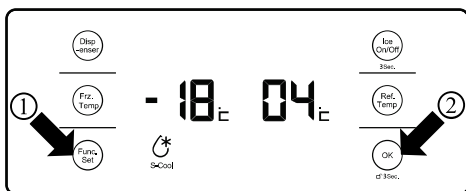


Fig. 2-17



## Modalità di blocco

Questa funzione consente di bloccare le impostazioni della temperatura e delle funzioni. Quando il blocco è attivo, la relativa icona lampeggia e viene emesso un segnale acustico.

### Attivazione del blocco

Tenere premuto il pulsante "OK" per 3 secondi (Fig. 2-15). L'icona di blocco si accende e il frigorifero si blocca.

### Disattivazione del blocco

Tenere premuto il pulsante "OK" per 3 secondi. L'icona di blocco si spegne e il frigorifero si sblocca.

## Modalità Holiday

▲ ATTENZIONE Prima di selezionare la modalità Holiday, rimuovere tutti gli alimenti e le bevande dagli scomparti del frigorifero, in quanto potrebbe essere dannoso ingerirli dopo breve tempo.

Questa funzione consente di lasciare la sezione del frigorifero inutilizzata, mantenendo funzionante la sezione del congelatore. In questa modalità, la temperatura del frigorifero verrà automaticamente impostata a 17 °C.

### Attivazione della modalità

1. Premere il pulsante "FUNC.SET" finché non viene selezionata la modalità Holiday (Fig. 2-16).
2. Premere quindi il pulsante "OK": l'icona della modalità HOLIDAY si accenderà.

### Disattivazione della modalità

1. Premere il pulsante "FUNC.SET" finché non viene selezionata la modalità Holiday.
2. Premere quindi il pulsante "OK": l'icona della modalità HOLIDAY si spegnerà.

## Modalità Quick Cool

Questa funzione consente di raffreddare rapidamente gli alimenti in modo che rimangano freschi il più a lungo possibile. Utilizzare questa funzione prima di introdurre grandi quantità di alimenti nel vano frigorifero in un'unica volta.

La modalità Quick Cool verrà disattivata una volta raggiunta la temperatura impostata.

### Attivazione della modalità

1. Premere il pulsante "FUNC.SET" finché non viene selezionata la modalità Quick Cool (Fig. 2-17).
2. Premere quindi il pulsante "OK": l'icona della modalità S-COOL si accenderà.

### Disattivazione della modalità

1. Premere il pulsante "FUNC.SET" finché non viene selezionata la modalità Quick Cool.
2. Premere quindi il pulsante "OK": l'icona della modalità S-COOL si spegnerà. La modalità Quick Cool è quindi disattivata.

## Modalità Quick Freeze

Questa funzione è progettata per congelare completamente gli alimenti nel più breve periodo possibile al fine di mantenere tutte le sostanze nutritive del cibo.

La modalità Quick Freeze verrà disattivata una volta raggiunta la temperatura impostata.

Utilizzare questa funzione prima di introdurre grandi quantità di alimenti nel vano congelatore in un'unica volta. Si consiglia di attivare la modalità Quick Freeze 12 ore prima, per consentire l'abbassamento della temperatura nel vano congelatore prima di introdurre gli alimenti.

### Attivazione della modalità

1. Premere il pulsante "FUNC.SET" finché non viene selezionata la modalità Quick Freeze (Fig. 2-18).
2. Premere quindi il pulsante "OK": l'icona S-FRZ si accenderà.

### Disattivazione della modalità

1. Premere il pulsante "FUNC.SET" finché non viene selezionata la modalità Quick Freeze.
2. Premere quindi il pulsante "OK": l'icona S-FRZ si spegnerà. La modalità Quick Freeze è quindi disattivata.

## Regolazione della temperatura per gli alimenti freschi

Premere il pulsante "Ref. Temp" (Fig. 2-19). Il display della temperatura del frigorifero inizierà a lampeggiare; ciò significa che il frigorifero è in modalità di impostazione della temperatura.

Premere il pulsante "Ref. Temp" per scorrere, uno alla volta, i valori dell'intervallo di temperatura compresi tra 9 e 1 °C.

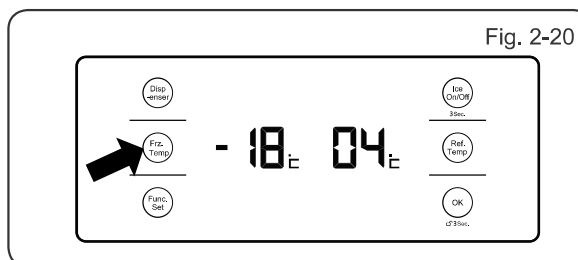
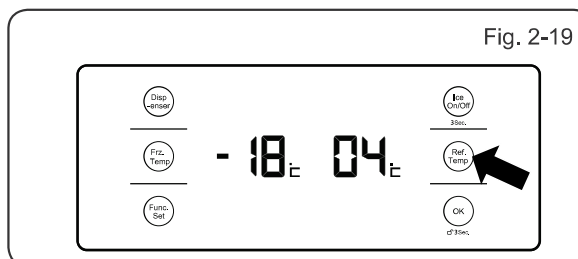
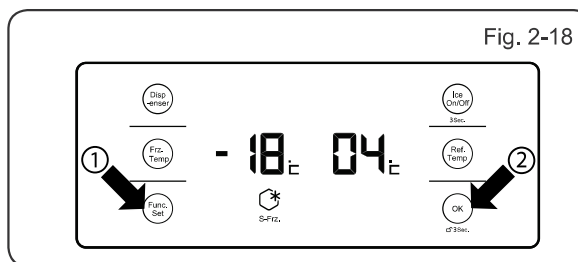
Se entro 5 secondi non viene eseguita alcuna operazione, il display smetterà di lampeggiare e la temperatura non verrà modificata. La temperatura rimarrà fissa, anche se viene premuto qualsiasi altro pulsante durante il lampeggiamento.

## Regolazione della temperatura del congelatore

Premere il pulsante "Frz. Temp" (Fig. 2-20). Il display della temperatura del congelatore inizierà a lampeggiare; ciò significa che la sezione del congelatore è in modalità di impostazione della temperatura.

Premere il pulsante "Frz. Temp" per scorrere, uno alla volta, i valori dell'intervallo di temperatura compresi tra -14 e -24 °C.

Se entro 5 secondi non viene eseguita alcuna operazione, il display smetterà di lampeggiare e la temperatura non verrà modificata. La temperatura rimarrà fissa, anche se viene premuto qualsiasi altro pulsante durante il lampeggiamento.



## Funzionamento del distributore di acqua e ghiaccio

Questo frigorifero-congelatore ha tre opzioni disponibili: acqua fresca, ghiaccio in scaglie e ghiaccio in cubetti. Per evitare fuoriuscite, tenere SEMPRE il bicchiere sotto il distributore prima di effettuare la selezione. È consigliabile utilizzare un contenitore di almeno 80 mm di larghezza per raccogliere il ghiaccio dal distributore.

### Impostazione di attivazione/disattivazione della macchina per il ghiaccio

Alla prima accensione del frigorifero-congelatore, la macchina per il ghiaccio è disattivata per impostazione predefinita.

#### Attivazione

- Premere il pulsante "ICE ON/OFF" per 3 secondi. L'icona di attivazione della macchina per il ghiaccio si accenderà e la macchina inizierà a funzionare.

#### Disattivazione

- Premere il pulsante "ICE ON/OFF" per 3 secondi. L'icona di attivazione della macchina per il ghiaccio si spegnerà e la macchina smetterà di funzionare.

**IMPORTANTE:** svuotare il contenitore della macchina per il ghiaccio prima di spegnere la macchina, in quanto il ghiaccio si scioglierà.

### Erogazione di acqua fresca

1. Mantenere il bicchiere sotto il distributore.
2. Premere il pulsante Dispenser Selector per selezionare l'acqua fresca. L'icona WATER si accenderà.
3. Premere leggermente il bicchiere sulla leva: l'acqua verrà versata nel bicchiere.

### Raccolta di ghiaccio in scaglie

1. Mantenere il bicchiere sotto il distributore.
2. Premere il pulsante Dispenser Selector per selezionare il ghiaccio in scaglie. L'icona CRUSHED si accenderà.
3. Premere leggermente il bicchiere sulla leva: il ghiaccio in scaglie verrà versato nel bicchiere.

### Erogazione di ghiaccio in cubetti

1. Mantenere il bicchiere sotto il distributore.
2. Premere il pulsante Dispenser Selector per selezionare il ghiaccio in cubetti. L'icona CUBED si accenderà.
3. Premere leggermente il bicchiere sulla leva: il ghiaccio in cubetti verrà versato nel bicchiere.

### Sostituzione del filtro dell'acqua

Quando l'icona di stato di sostituzione del filtro si accende, indica che è necessario sostituire il filtro dell'acqua (circa ogni 6 mesi). Una volta completata la sostituzione, premere il pulsante Func. Set per 3 secondi: l'icona di stato di sostituzione del filtro scomparirà.

## Sicurezza

- ▲ NON utilizzare bicchieri eccessivamente profondi, stretti, fragili o delicati.
- Mantenere il bicchiere più vicino possibile al distributore per evitare la fuoriuscita di acqua, la caduta di ghiaccio e l'intasamento del distributore di ghiaccio in cubetti.
- Dopo 5 secondi dall'ultima erogazione di ghiaccio o acqua, la valvola del distributore si chiude, emettendo un suono. Dopo aver riempito il bicchiere e rilasciato la leva, mantenere il bicchiere per altri 2-3 secondi (per il ghiaccio) o 1-2 secondi (per l'acqua), in quanto potrebbe fuoriuscire ancora acqua o ghiaccio.
- Pulire con regolarità il distributore.
- Per mantenere la qualità dell'acqua, è necessario sostituire periodicamente il filtro. Si consiglia la sostituzione ogni 6 mesi. Tuttavia, se la qualità dell'acqua mostrasse segni di deterioramento, sia visivi che nel sapore, sostituire subito il filtro.
- È possibile che il ghiaccio in scaglie venga distribuito al posto del ghiaccio in cubetti se l'ultima opzione selezionata è quella del ghiaccio in scaglie.
- ▲ Non posizionare MAI bevande o cibi in lattina all'interno del distributore, in quanto potrebbero danneggiare il meccanismo per il ghiaccio tritato.
- ▲ NON toccare il distributore o rimuovere il coperchio della macchina per il ghiaccio per prevenire lesioni o danni accidentali all'apparecchio.
- La prima erogazione di acqua (circa 7 bicchieri) e di cubetti di ghiaccio (circa 20 pezzi) non deve essere consumata dopo l'avvio iniziale o dopo un lungo periodo di non utilizzo, ma gettata via.
- Non lasciare cubetti di ghiaccio che non sono stati prodotti dalla macchina per il ghiaccio, all'interno del cassetto di conservazione onde evitare danni al meccanismo.
- Una quantità insufficiente di acqua può generare cubetti di ghiaccio di piccole dimensioni. Una quantità troppo elevata di acqua può generare cubetti di ghiaccio più grandi che possono attaccarsi tra loro, causando perdite e blocchi al distributore. È necessario regolare il rubinetto o contattare un tecnico.

## Sbrinamento automatico

Non è necessario sbrinare il frigorifero, in quanto l'apparecchio è dotato di una funzione di sbrinamento automatico.

- ▲ Non utilizzare dispositivi meccanici per accelerare il processo di sbrinamento, ad eccezione di quelli consigliati dal produttore.

## Funzione di allarme

Se si lascia lo sportello aperto per un periodo di tempo prolungato o se lo sportello viene chiuso in modo non corretto, il frigorifero-congelatore emetterà un allarme acustico a intervalli regolari per ricordare di chiudere lo sportello correttamente.

## Spegnimento del display

Dopo 30 secondi il display digitale si spegnerà finché il frigorifero-congelatore non viene utilizzato di nuovo.

### 3. Suggerimenti sulla conservazione degli alimenti

---

#### Suggerimenti per la conservazione di alimenti freschi

- Mantenere la temperatura del frigorifero al di sotto dei 5 °C.
- Date indicative "Consumare preferibilmente entro" e "Da consumare entro". Gli alimenti che riportano l'indicazione "Da consumare entro" deperiscono abbastanza velocemente. Può essere pericoloso ingerirli dopo questa data. Gli alimenti che riportano l'indicazione "Da consumarsi preferibilmente entro" si conservano più a lungo. Non dovrebbe essere nocivo ingerirli dopo la data indicata, ma la qualità non sarà ottimale.
- Assicurarsi che gli alimenti già cucinati e da congelare siano a temperatura ambiente prima di riporli nel frigorifero-congelatore. Assicurarsi che tali alimenti siano riposti in contenitori adeguati.
- Gli alimenti riposti nel frigorifero devono essere prima lavati e asciugati.
- Per alcuni cibi, è meglio lasciare la confezione originale quando vengono riposti nel frigorifero. Se tolti dall'involucro, è suggeribile riavvolgerli in modo che l'acqua non evapori. Se avvolti, alcuni tipi di frutta e verdura si mantengono più freschi e gli odori non si mischiano.
- Gli alimenti riposti possono essere etichettati all'interno di sacchetti o contenitori.
- Gli alimenti consumati quotidianamente devono essere conservati nella parte anteriore del ripiano.
- Assicurarsi che tali alimenti siano riposti meticolosamente (carne cruda con carne cruda, latticini con latticini) per evitare il trasferimento di sapori e contaminazioni. La carne cruda deve essere conservata nella parte inferiore del frigorifero per prevenire la possibilità di sgocciolamenti sui cibi crudi. Gli altri alimenti devono essere conservati nei ripiani al di sopra della carne cruda.
- Quando si conservano alimenti nello scomparto dei cibi freschi, assicurarsi che ci sia sempre uno spazio sufficiente per favorire la circolazione dell'aria. Ciò aiuta a prolungare la conservazione degli alimenti.
- Quando si conservano alimenti nel frigorifero, assicurarsi che i cibi non siano troppo vicini alla parete posteriore per evitare il rischio di congelamento.
- Per ravanelli e altri ortaggi a radice, è consigliabile eliminare le foglie. Ciò favorisce la conservazione delle proprietà nutritive nella radice senza che vengano assorbite dalle foglie.
- Riporre gli alimenti congelati nell'area degli alimenti freschi per lasciarli scongelare. La temperatura bassa del frigorifero riduce la formazione di batteri ed estende la durata degli alimenti.
- Alcuni alimenti come cipolle, aglio, banane e ortaggi a radice, si conservano meglio a temperatura ambiente che nel frigorifero.
- Melone, ananas e banane possono essere riposti direttamente nel frigorifero dopo la preparazione e conservati per lunghi periodi.
- La corretta confezione degli alimenti freschi, la conservazione alla giusta temperatura e l'igiene migliorano la qualità dei cibi freschi conservati nel frigorifero.
- Utilizzare sacchetti di plastica, fogli di alluminio o altro materiale da incarto per avvolgere gli alimenti freschi non confezionati per prevenire il trasferimento di sapori e contaminazioni.
- Prima di riporre alimenti multipacco (es. yogurt), rimuovere il materiale da incarto in eccesso.
- ▲ Non riporre MAI materiale infiammabile, volatile o esplosivo.
- Le bevande ad alto contenuto alcolico devono essere conservate in verticale in bottiglie accuratamente sigillate.
- Gli alimenti delicati devono essere conservati nella parte più fredda dell'apparecchio.
- Evitare di aprire lo sportello troppo spesso.
- Impostare il termostato per assicurarsi che gli alimenti rimangano sufficientemente freddi; evitare il congelamento all'interno del frigorifero. L'utilizzo di un termometro aiuterà a verificare la temperatura all'interno dell'apparecchio. Posizionare il termometro in un bicchiere d'acqua e lasciarlo all'interno dell'apparecchio per diverse ore per ottenere una lettura attendibile.
- Alcuni alimenti contengono oli e acidi naturali (es. acido citrico) che, in caso di fuoriuscita, possono danneggiare gli oggetti in plastica. Assicurarsi che tali alimenti siano conservati in contenitori adeguati.
- Odori poco gradevoli all'interno del frigorifero indicano la fuoriuscita di liquidi, pertanto provvedere alla pulizia. L'utilizzo di acqua calda con bicarbonato di sodio, pulirà l'interno dell'apparecchio e rimuoverà la maggior parte delle perdite (vedere "Pulizia e manutenzione").
- Ricordare sempre di rimuovere gli alimenti deperibili dall'apparecchio prima di partire per lunghi periodi.

## Suggerimenti sul congelamento degli alimenti

- Come per la conservazione di alimenti freschi, il confezionamento adatto, la temperatura corretta e l'igiene miglioreranno la qualità degli alimenti che si intende congelare.
  - Evitare di riporre cibi caldi nel congelatore. Lasciarli prima raffreddare finché non raggiungono la temperatura ambiente.
  - Assicurarsi che tutti gli alimenti da congelare siano di alta qualità e adatti al congelamento.
  - Per la conservazione degli alimenti, utilizzare materiale da incarto senza odori e impermeabile all'aria (ad esempio buste di plastica), in modo da riporre cibi diversi senza alcun impatto sulla qualità. Assicurarsi che le confezioni siano ermetiche. Eventuali aperture nella confezione possono disidratare i prodotti e causare la perdita di vitamine benefiche.
  - Mantenere asciutta la superficie della confezione: ciò eviterà che le confezioni si congelino attaccandosi una all'altra.
  - Contrassegnare le confezioni con il tipo di cibo contenuto e la data in cui sono state riposte.
  - Gli alimenti devono essere congelati rapidamente, pertanto è consigliabile congelare porzioni piccole, ove possibile, e assicurare che siano più fredde possibile prima di riporle. Il peso massimo consigliato per ciascuna porzione è di 2,5 Kg.
  - Tenere gli alimenti freschi lontani da quelli già congelati; nel caso sia necessario congelare alimenti freschi quotidianamente, assicurarsi di preparare porzioni di piccole dimensioni.
  - Non superare il carico massimo per il congelamento, indicato come 10 Kg/24 ore (vedere l'etichetta dati per dettagli).
  - Prendere nota della data di scadenza e del nome degli alimenti indicati nella parte esterna della confezione, in modo da essere sicuri del tipo di alimenti e della data entro cui consumarli.
  - Estrarre gli alimenti dal congelatore per scongelarli quando necessario. Gli alimenti scongelati non possono essere ricongelati a meno che non vengano cotti.
- Non riporre quantità elevate di alimenti freschi nel congelatore in una sola volta. Ciò potrebbe superare le capacità di raffreddamento del congelatore (vedere "Dati tecnici").
  - Quando si conservano alimenti venduti già congelati, seguire le seguenti linee guida:
    - Attenersi sempre alle istruzioni fornite dal produttore relativamente alla durata di conservazione degli alimenti. Non superare la data indicata.
    - Cercare di ridurre al minimo il periodo di tempo tra l'acquisto e l'inserimento nel congelatore per conservare la qualità dei cibi.
    - Acquistare alimenti congelati che sono stati conservati a una temperatura di -18 °C o inferiore.
    - Evitare di acquistare alimenti che presentano ghiaccio o brina sulla confezione: ciò indica che i prodotti possono essere stati parzialmente scongelati e ricongelati. Gli aumenti di temperatura influiscono sulla qualità del cibo.
    - In caso di interruzione dell'alimentazione o se il frigorifero subisce un guasto per più di 5 ore, potrebbe essere necessario rimuovere gli alimenti dal congelatore e, se possibile, conservarli in un altro congelatore funzionante o in un luogo freddo e pulito (ad esempio un garage o una parte esterna dell'abitazione) finché l'alimentazione non viene ripristinata o l'apparecchio riparato. Per prevenire aumenti eccessivi di temperatura, conservare gli alimenti in una confezione fresca o avvolgerli in strati di materiale isolante, ad esempio un giornale, per cercare di mantenere la temperatura costante. È importante che qualsiasi tipo di alimento scongelato, venga consumato o cucinato e ricongelato (ove possibile) in breve tempo onde evitare danni alla salute.

## 4. Installazione

### Posizionamento dell'apparecchio.

#### Scelta del luogo giusto

L'apparecchio deve essere installato in una stanza asciutta e ben ventilata. Per fornire la ventilazione adeguata, assicurarsi che tutti i lati del frigorifero siano ad almeno 10 cm di distanza dagli scaffali della cucina (Fig. 4-1). Qualsiasi unità posizionata sopra l'apparecchio deve avere una distanza di 10 cm per consentire una ventilazione sufficiente.

Se il frigorifero viene posizionato in un angolo, lasciare uno spazio sufficiente per consentire l'apertura degli sportelli e la rimozione dei ripiani (Fig. 4-2).

L'apparecchio deve essere ad una distanza di almeno 100 mm da qualsiasi fornello elettrico o a gas e a 300 mm da stufe a olio o a carbone. Se ciò non è possibile, assicurarsi che venga fornito l'isolamento adeguato.

Evitare di esporre l'apparecchio alla luce diretta del sole e a fonti di calore, come radiatori, caloriferi o stufe a olio.

Se l'apparecchio è situato in un ambiente freddo (ad esempio, un capannone, una struttura esterna o un garage) la temperatura influenzerà le prestazioni. È possibile riscontrare che le prestazioni dell'apparecchio non siano regolari e ciò può danneggiare gli alimenti. È consigliata una temperatura ambiente costante di 10 °C o maggiore.

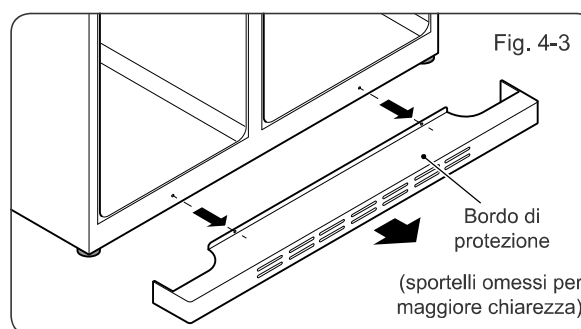
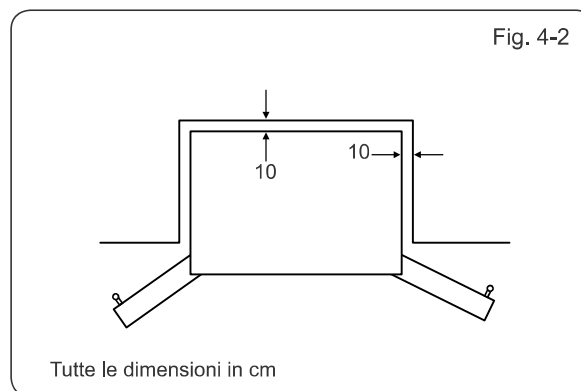
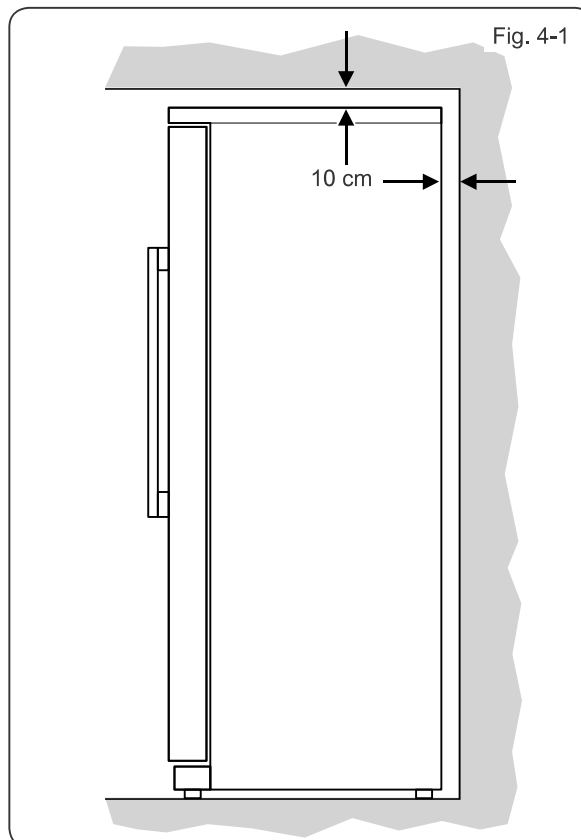


Fig. 4-4

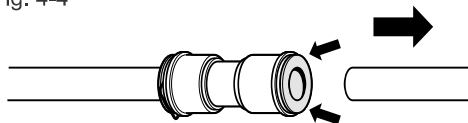


Fig. 4-5

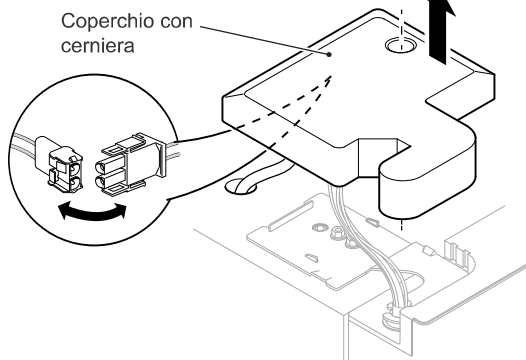


Fig. 4-6

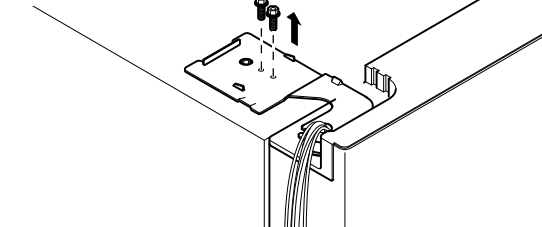


Fig. 4-7

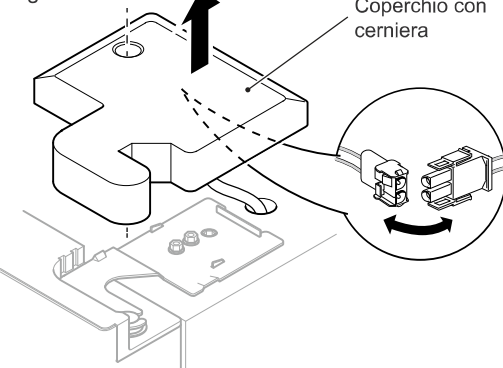
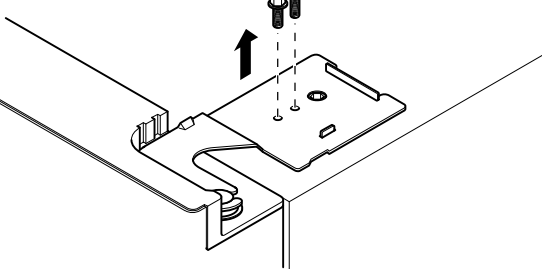


Fig. 4-8



## Rimozione e installazione degli sportelli

- ⚠ Nel caso in cui sia necessario rimuovere gli sportelli del frigorifero, attenersi alle istruzioni relative alla rimozione e all'installazione indicate in basso.
- ⚠ Per garantire la sicurezza, è consigliabile l'assistenza di due o più persone per eseguire le operazioni, onde evitare lesioni, danni al prodotto o perdita di beni.

Allentare le due viti di fissaggio del bordo di protezione e rimuoverlo (Fig. 4-3)

Rilasciare l'accoppiatore dell'acqua: tenere premuto l'anello come mostrato (Fig. 4-4) e rimuovere il tubo dell'acqua.

Rimuovere il tappo superiore.

### Sportello del congelatore

1. Allentare la vite del coperchio con cerniera e rimuovere il coperchio (Fig. 4-5). Scollegare tutti i cavi ad eccezione del cavo della messa a terra.
2. Allentare le viti che fissano la cerniera superiore e rimuovere la cerniera (Fig. 4-6).
3. Sollevare lo sportello del vano congelatore per rimuoverlo. Quindi, sollevare sufficientemente lo sportello per essere in grado di tirare completamente il condotto dell'acqua dal basso.

### Sportello del frigorifero

1. Allentare le viti del coperchio con cerniera e rimuovere il coperchio (Fig. 4-7). Scollegare tutti i cavi ad eccezione del cavo della messa a terra.
2. Allentare le viti che fissano la cerniera superiore e rimuovere la cerniera (Fig. 4-8).
3. Sollevare lo sportello del vano frigorifero per rimuoverlo.

### Riposizionamento dello sportello

Riposizionare gli sportelli ripetendo in ordine contrario i passaggi della rimozione.

## Livellamento del frigorifero-congelatore e regolazione degli sportelli

Assicurarsi che l'apparecchio sia posizionato su una pavimentazione solida. Se il frigorifero è posizionato su una base, è necessario utilizzare materiale antinfiammabile, resistente e stabile.

L'apparecchio dispone di piedini anteriori regolabili che possono essere utilizzati per il livellamento.

Inserire un cacciavite piatto nell'alloggiamento dei piedini regolabili. Girare il cacciavite in senso orario per alzare i piedini (Fig. 4-9) e in senso antiorario per abbassarli (Fig. 4-10).

## Allineamento degli sportelli

Potrebbe essere necessario allineare gli sportelli prima di collegare il frigorifero-congelatore all'alimentazione elettrica. L'operazione è possibile mediante la regolazione dei piedini (Fig. 4-9 e Fig. 4-10).

Per sollevare lo sportello sinistro, girare il piedino sinistro in senso orario fino a raggiungere l'allineamento corretto (Fig. 4-11).

Per sollevare lo sportello destro, girare il piedino destro in senso orario fino a raggiungere l'allineamento corretto.

## Montaggio delle maniglie

Le maniglie delle porte devono essere installate sui perni di montaggio già montati su ogni porta (Fig. 4-12).

Utilizzare la chiave a brugola del kit di istruzioni

1. Installare la maniglia saldamente sopra i perni di montaggio.
2. Utilizzando la chiave a brugola, stringere le viti fissando la maniglia alla porta.

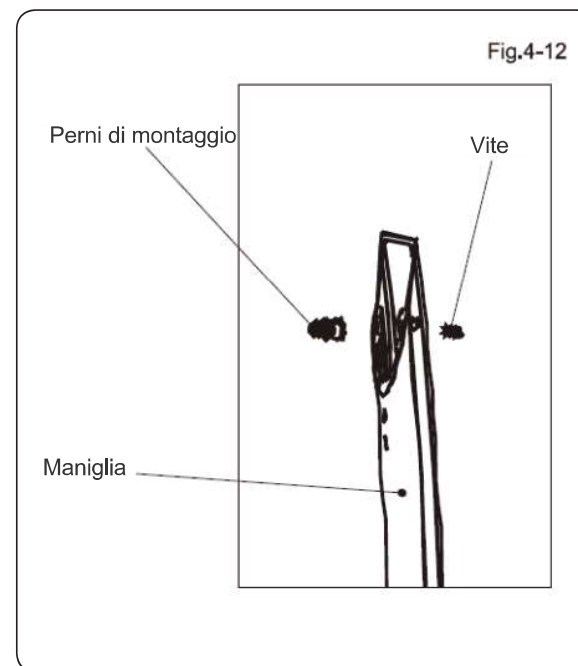
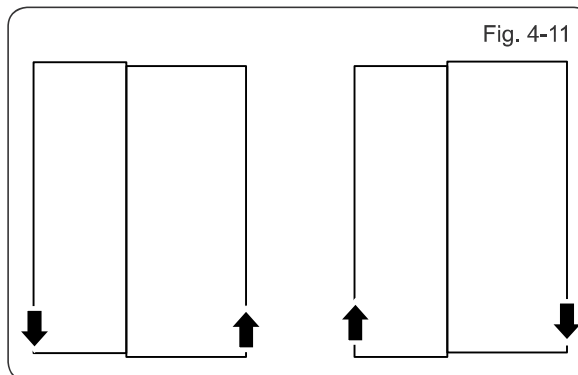
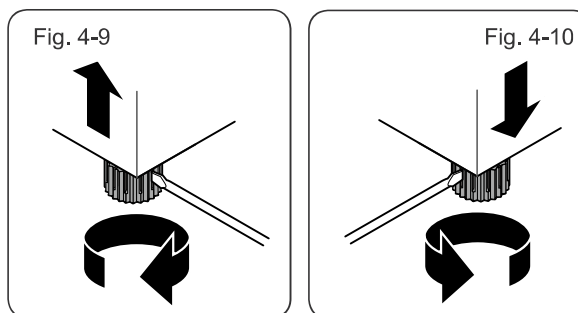
Non stringere eccessivamente le viti.

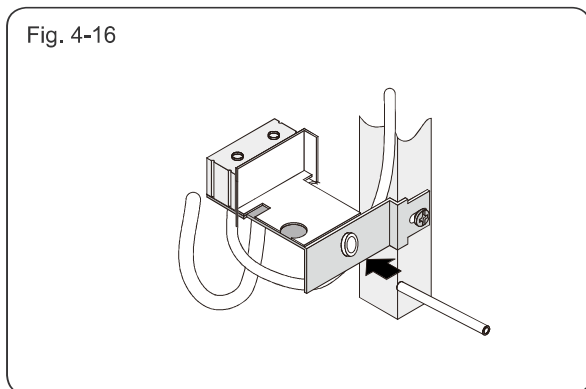
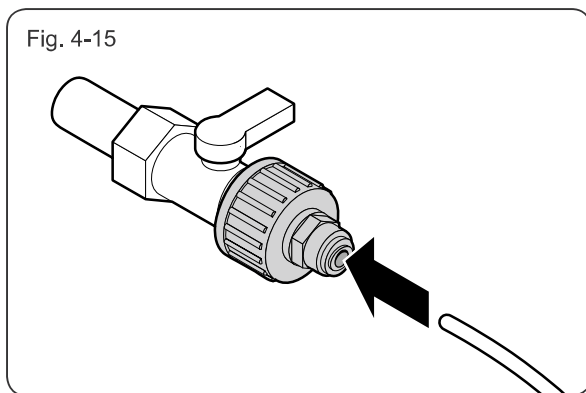
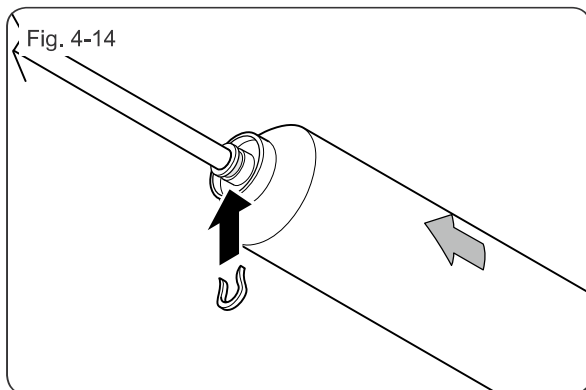
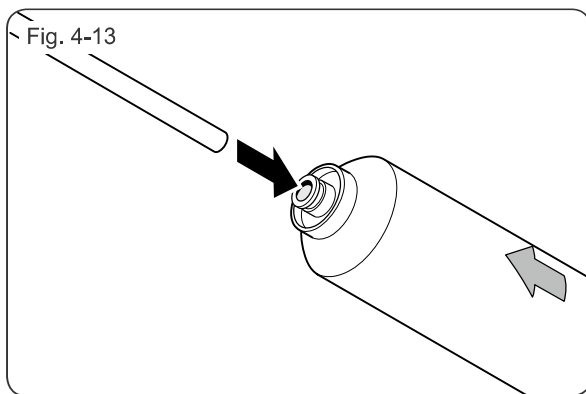
## Collegamento elettrico

Collegare l'apparecchio all'alimentazione elettrica (220-240 V ~ 50 Hz) con la spina e il cavo elettrico già predisposti.

I collegamenti all'alimentazione principale devono essere conformi alle normative locali.

- ⚠ L'apparecchio deve essere collegato a una presa con messa a terra.
- ⚠ Assicurarsi che la spina sia sempre accessibile dopo aver posizionato l'apparecchio.





## Collegamento dell'acqua

▲ È consigliabile far installare il prodotto da un tecnico qualificato.

Nota: per ulteriori informazioni sull'installazione, fare riferimento alle istruzioni fornite con il filtro dell'acqua.

- La pressione dell'acqua fredda fornita alla macchina automatica per il ghiaccio è compresa tra 0,15 e 0,6 Mpa.
- Il tubo dell'acqua deve essere della lunghezza adeguata, solitamente 8 metri e, una volta inserito in posizione, non deve presentare piegature. Se il tubo è troppo lungo, la pressione dell'acqua sarà ridotta, con effetti sul contenuto di ghiaccio e di acqua fredda.
- NON effettuare il collegamento all'alimentazione dell'acqua quando la temperatura ambiente è inferiore a 0 °C, altrimenti il tubo dell'acqua potrebbe congelarsi.
- Effettuare sempre il collegamento all'alimentazione di acqua potabile.
- Mantenere il tubo dell'acqua lontano da fonti di calore.
- Il filtro dell'acqua serve per filtrare le impurità presenti nell'acqua e per garantire la pulizia e l'igiene durante la produzione di ghiaccio. Il filtro non è in grado di sterilizzare o distruggere, pertanto fare attenzione a collegare il tubo dell'acqua alla condotta di acqua potabile.
- Sistema automatico per l'approvvigionamento dell'acqua, non aggiungere acqua manualmente.
- Se la macchina per il ghiaccio è accesa ma l'apparecchio non è collegato all'impianto idraulico, la macchina non funzionerà.

## Sistemazione del filtro dell'acqua

Misurare e tagliare il cavo in base alla lunghezza richiesta dal filtro al frigorifero-congelatore e dal filtro all'alimentazione di acqua. Assicurarsi di eseguire un taglio dritto utilizzando delle forbici affilate.

Spingere uno dei tubi all'interno del filtro dell'acqua (Fig. 4-13).

Fissare il tubo al filtro inserendo una clip di fissaggio nella scanalatura, come illustrato (Fig. 4-14).

Ripetere la procedura sull'altro lato del filtro.

Collegare la parte terminale all'adattatore di plastica (Fig. 4-15). Avvitare l'adattatore all'uscita dell'acqua utilizzando un connettore BSP da 1/2".

Accedere al blocco della valvola dell'acqua nella parte posteriore del frigorifero. Spingere il tubo nel blocco della valvola (Fig. 4-16).

Aprire la valvola dell'acqua per riempire il tubo, verificare eventuali perdite nei giunti del tubo e consentire all'acqua di defluire fino a quando non è limpida.

## Preparazione del distributore dell'acqua

Al primo utilizzo, premere il pulsante del distributore dell'acqua diverse volte per 1 minuto. Non premerlo oltre, per prevenire il surriscaldamento dell'elettrovalvola di attivazione del pulsante. L'acqua fredda inizierà a defluire dall'uscita.

## 5. Pulizia e manutenzione

---

### Scongelamento

Lo scongelamento viene eseguito automaticamente pertanto non è necessario scongelare manualmente l'apparecchio.

- ⚠ NON utilizzare dispositivi meccanici per accelerare il processo di scongelamento.

### Pulizia

- ⚠ Scollegare l'apparecchio dall'alimentazione elettrica prima di procedere con le operazioni di pulizia.

Per ridurre al minimo gli odori interni, è consigliabile pulire periodicamente ripiani, cassetti, contenitori e pareti.

Svuotare l'apparecchio degli alimenti e rimuovere i ripiani.

Pulire l'interno utilizzando acqua calda e bicarbonato di sodio con un panno soffice. Fare attenzione ad asciugare a fondo l'interno con un panno adatto.

- ⚠ Non utilizzare sostanze abrasive e corrosive e detergenti aggressivi in quanto potrebbero danneggiare l'interno dell'apparecchio.

Ripiani e altri accessori (parti in plastica e vetro) possono essere puliti nel lavandino utilizzando detergenti liquidi per stoviglie e acqua calda. Assicurarsi che tutti i detergenti siano risciacquati a fondo e che tutte le parti siano completamente asciutte prima di riposizionarle all'interno dell'apparecchio.

Mantenere sempre pulite le guarnizioni dello sportello.

- ⚠ Il frigorifero è pesante. Durante lo spostamento del frigorifero, fare attenzione a proteggere il pavimento. Mantenere il frigorifero in verticale e non girarlo per evitare danni al pavimento.
- ⚠ Non spruzzare o far colare acqua o altri liquidi nel frigorifero. Ciò potrebbe danneggiare le parti elettriche.
- ⚠ Utilizzare un panno asciutto per pulire la zona attorno alle parti elettriche (come luci o interruttori).
- ⚠ NON pulire il frigorifero con spazzole rigide o metalliche.
- ⚠ Non utilizzare solventi organici come detergenti, benzina, lacche, solventi, acetone o acidi.
- ⚠ Per evitare che la cute rimanga attaccata alle parti fredde in acciaio, assicurarsi che le mani non siano bagnate quando si entra a contatto con le parti.
- ⚠ Non utilizzare acqua TROPPO CALDA per pulire i ripiani di vetro perché potrebbero rompersi o incrinarsi.
- ⚠ Dopo aver installato un nuovo filtro dell'acqua, gettare via tutto il ghiaccio prodotto durante le prime 24 ore.

### Spegnimento del frigorifero

In caso di interruzione dell'alimentazione, gli alimenti rimarranno freddi per circa 5 ore.

Se l'interruzione dell'alimentazione è prolungata, potrebbe essere necessario rimuovere gli alimenti dal vano congelatore e riporli in un luogo freddo, avvolti con carta da giornale per preservare la temperatura adeguata.

Una volta che l'alimentazione viene ripristinata, riporre nuovamente gli alimenti nel vano congelatore.

Nel caso gli alimenti iniziassero a scongelarsi o se l'interruzione è più lunga del previsto, è consigliabile consumare qualsiasi alimento rimosso dal congelatore.

Se l'interruzione di alimentazione è di breve durata, la maggior parte degli alimenti può essere lasciata all'interno del vano congelatore (il metodo migliore per preservare la temperatura) e circondata da cubetti di ghiaccio recuperati dalla vaschetta. Questa rappresenta anche la soluzione ideale per eventuali interruzioni di alimentazione di cui si è stati preavvisati.

In caso di interruzioni di alimentazione di qualsiasi natura, non aggiungere altri alimenti nel congelatore.

### Quando l'apparecchio non è in uso.

Se non si utilizza l'apparecchio per un periodo di tempo prolungato, è suggeribile disattivare l'alimentazione elettrica, tirare fuori tutti gli alimenti, pulire l'interno dell'apparecchio e lasciare lo sportello socchiuso. Ciò consentirà di risparmiare energia ed evitare l'odore di chiuso.

### Filtro dell'acqua

Per mantenere la qualità dell'acqua, è necessario sostituire periodicamente il filtro. Si consiglia la sostituzione ogni 6 mesi. Tuttavia, se la qualità dell'acqua mostrasse segni di deterioramento, sia visivi che nel sapore, sostituire subito il filtro.

## 6. Risoluzione dei problemi

Prima di contattare l'assistenza, leggere la tabella seguente in quanto può consentirvi un risparmio economico e di tempo.

Problema	Causa	Soluzione
<b>La temperatura è troppo bassa</b>		
1.1	La temperatura all'interno del congelatore è troppo bassa, ma la temperatura per gli alimenti freschi è giusta.	1.1.1 La temperatura all'interno del vano congelatore è impostata su un valore troppo basso. 1.1.1.1 Impostare la temperatura nel congelatore ad un valore leggermente più alto, quindi attendere 24 ore finché non viene raggiunto il nuovo equilibrio termico.
1.2	La temperatura all'interno dello scomparto degli alimenti freschi è troppo bassa, mentre quella della sezione del congelatore è giusta.	1.2.1 La temperatura all'interno dello scomparto degli alimenti freschi è impostata su un valore troppo basso. 1.2.1.1 Impostare la temperatura all'interno dello scomparto su un valore leggermente più alto. La temperatura raggiungerà il nuovo equilibrio termico entro 24 ore.
1.3	Gli alimenti conservati nell'intera dispensa sono congelati.	1.3.1 L'impostazione del regolatore nello scomparto degli alimenti freschi è a un valore troppo basso. 1.3.1.1 Impostare il regolatore su un valore più alto. Il nuovo livello di temperatura impostato raggiungerà l'equilibrio termico entro 24 ore.
1.4	Gli alimenti conservati nei cassetti sono congelati.	1.4.1 Le impostazioni relative allo scomparto degli alimenti freschi è a un valore troppo basso. 1.4.1.1 L'aumento delle impostazioni del regolatore degli alimenti freschi a un livello più alto di temperatura e/o la diminuzione dell'impostazione del regolatore dell'umidità consentirà di prevenire la formazione di ghiaccio o brina.
1.5	I dati del display del distributore mostrano codici di errore.	1.5.1 È stato riscontrato un problema di funzionamento elettronico. 1.5.1.1 Chiamare il tecnico dell'assistenza per la diagnosi e la correzione del problema.
<b>La temperatura è troppo alta</b>		
2.1	La temperatura delle sezioni dei cassetti del congelatore e dello scomparto degli alimenti freschi è troppo elevata.	2.1.1 Gli sportelli vengono aperti spesso o per un tempo troppo prolungato. 2.1.1.1 Tentare di ridurre la frequenza di apertura degli sportelli. 2.1.2 Gli sportelli vengono lasciati aperti. 2.1.2.1 Fare molta attenzione a mantenere le guarnizioni perfettamente aderenti al perimetro degli sportelli. Mantenere le guarnizioni pulite e prive di polvere.
2.2	La temperatura è troppo calda nel congelatore ma è corretta nella sezione degli alimenti freschi.	2.2.1 La temperatura impostata nel congelatore è troppo calda. 2.2.1.1 Impostare la temperatura a un valore più basso per la sezione del congelatore. Quindi attendere 24 ore finché l'equilibrio termico non raggiunge il livello più freddo.
2.3	La temperatura è troppo calda nella sezione degli alimenti freschi ma è corretta nel congelatore.	2.3.1 L'impostazione della temperatura nella sezione degli alimenti freschi è a un livello troppo alto. 2.3.1.1 Impostare il regolatore della temperatura degli alimenti a un valore più basso. Il nuovo livello di temperatura può essere raggiunto entro 24 ore.
2.4	La temperatura all'interno del cassetto è troppo elevata.	2.4.1 La temperatura impostata per gli alimenti freschi è troppo elevata. 2.4.1.1 Impostare la temperatura per gli alimenti freschi a un livello più basso. L'equilibrio termico della temperatura più bassa verrà raggiunto entro 24 ore.
<b>Acqua, umidità o brina/ghiaccio nel frigorifero</b>		
3.1	Formazione di condensa all'interno del frigorifero	3.1.1 Ambiente caldo o umido. 3.1.1.1 Tentare di aumentare leggermente la temperatura nello scomparto interessato. 3.1.2 Sportello aperto. 3.1.2.1 Verificare che le guarnizioni dello sportello siano pulite e perfettamente aderenti al telaio dello scaffale di metallo. 3.1.3 Sportello o cassetto aperto troppo spesso o tenuto aperto per un tempo prolungato. 3.1.3.1 Ridurre la frequenza delle aperture dello sportello. 3.1.4 Contenitori di cibo o liquidi lasciati aperti. 3.1.4.1 Lasciare che il cibo caldo si raffreddi a temperatura ambiente e coprire cibi e liquidi.
3.2	Gocce di acqua depositate nell'area dei cassetti in basso.	3.2.1 L'umidità è impostata a valori troppo elevati. 3.2.1.1 È normale che aria umida venga raccolta all'interno dei cassetti. Per ridurre l'accumulo di condensa, abbassare l'impostazione dell'umidità e/o aumentare la temperatura dello scomparto degli alimenti freschi.

Problema	Causa	Soluzione
3.3 L'acqua si accumula nella parte inferiore della copertura in vetro dei cassetti.	3.3.1 Condensa che fuoriesce da alimenti bagnati.	3.3.1.1 Quando si ripongono alimenti nel frigorifero, tamponarli con un panno asciutto per rimuovere la condensa in eccesso.
	3.3.2 Perdite dalla guarnizione dello sportello o aperture dello sportello troppo frequenti in ambiente umido.	3.3.2.1 Controllare le guarnizioni e ridurre le aperture dello sportello. Se possibile, aumentare la temperatura per gli alimenti freschi
Acqua/umidità/brina all'esterno del frigorifero		
4.1 L'aria bagnata forma gocce di acqua sui bordi esterni del frigorifero.	4.1.1 L'aria calda e umida presente nell'ambiente si mescola all'aria più fredda delle guarnizioni dello sportello dello scomparto degli alimenti freschi e del vano congelatore, generando condensa.	4.1.1.1 Una piccola quantità di brina o condensa di acqua è normale. È consigliabile asciugare con un panno asciutto per migliorare le prestazioni.
		4.1.1.2 Aumentando leggermente le temperature degli scomparti, è possibile ridurre la formazione di condensa.
		4.1.1.3 Controllare che le guarnizioni dello sportello siano perfettamente aderenti e pulite.
Macchina per il ghiaccio automatica		
5.1 La macchina per il ghiaccio non funziona correttamente	5.1.1 I cubetti di ghiaccio si attaccano tra di loro.	5.1.1.1 Estrarre il blocco di cubetti di ghiaccio, spaccarlo e riporre nel contenitore solo i cubetti separati.
	5.1.2 I cubetti di ghiaccio possono attaccarsi tra di loro se conservati troppo a lungo.	5.1.2.1 Vedere il punto 5.1.1.1 in alto.
5.2 I cubetti di ghiaccio sono troppo grandi o troppo piccoli.	5.2.1 La fornitura di acqua della macchina per il ghiaccio non è impostata correttamente.	5.2.1.1 Regolare la fornitura di acqua della macchina per il ghiaccio.
Distributore di acqua fredda e ghiaccio		
6.1 L'acqua fredda non esce.	6.1.1 Lo sportello del congelatore o del frigorifero non è completamente chiuso. Il tubo di alimentazione dell'acqua non è aperto.	6.1.1.1 Chiudere tutti gli sportelli dell'apparecchio. Aprire completamente l'alimentazione di acqua.
		6.1.2 Il filtro dell'acqua è bloccato
	6.1.3 Il tubo dell'acqua è bloccato.	6.1.3.1 Verificare che i tubi dell'acqua non siano attorcigliati e non presentino strozzature.
6.2 L'acqua ha un odore strano.	6.2.1 L'acqua è stata conservata troppo a lungo senza essere utilizzata.	6.2.1.1 Rimuovere 7 bicchieri di acqua e gettare via l'acqua. Verificare se l'odore è ancora presente.
	6.2.2 La fonte locale di acqua potabile è sospetta.	6.2.1.2 Contattare l'azienda locale di fornitura di acqua per verificarne la qualità.
6.3 Il ghiaccio non fuoriesce.	6.3.1 Lo sportello del congelatore o del frigorifero non è completamente chiuso.	6.3.1.1 Chiudere gli sportelli dell'apparecchio.
	6.3.2 Assenza di cubetti di ghiaccio nel contenitore.	6.3.2.1 Attendere finché i cubetti di ghiaccio non fuoriescono.
	6.3.3 La temperatura del congelatore è impostata su un livello troppo alto.	6.3.3.1 Abbassare la temperatura del congelatore per migliorare le prestazioni della macchina per il ghiaccio.
6.4 Il distributore è bloccato.	6.4.1 L'acqua di scongelamento si è congelata nel mandrino.	6.4.1.1 Rimuovere il contenitore. Pulire e asciugare il mandrino. Riposizionare il contenitore.
	6.4.2 I cubetti di ghiaccio sono bloccati tra la macchina per il ghiaccio e il contenitore.	6.4.2.1 Rimuovere i cubetti di ghiaccio bloccati tra la macchina per il ghiaccio e il contenitore.
	6.4.3 I cubetti di ghiaccio sono attaccati tra di loro.	6.4.3.1 Estrarre il blocco di cubetti di ghiaccio, spaccarlo e riporre nel contenitore solo i cubetti separati.
	6.4.4 Altri cubetti di ghiaccio posizionati nel distributore.	6.4.4.1 Nel distributore possono essere utilizzati esclusivamente cubetti di ghiaccio prodotti dalla macchina per il ghiaccio.

Problema	Causa	Soluzione
Presenza di cattivo odore nel frigorifero		
7.1 L'interno del frigorifero è sporco.	7.1.1 Le pareti interne, i ripiani e i contenitori sullo sportello devono essere puliti.	7.1.1.1 Pulire tutte le superfici interne con acqua calda e un panno umido, soffice e pulito, quindi asciugare.
	7.1.2 Gli alimenti nel frigorifero sono stati conservati troppo a lungo.	7.1.2.1 Avvolgere e coprire gli alimenti per prolungare il periodo di conservazione.
Lo sportello è duro da aprire/chiedere		
8.1 Lo sportello presenta un problema di chiusura.	8.1.1 La chiusura dello sportello può essere ostacolata da alimenti o incarti.	8.1.1.1 Riposizionare i ripiani, i contenitori sullo sportello o i contenitori interni per consentire la chiusura dello sportello.
	8.1.2 Il livellamento del frigorifero causa uno spostamento nella posizione dello sportello.	8.1.2.1 Verificare che il livellamento sul pavimento sia effettuato utilizzando materiali resistenti e non infiammabili
	8.1.3 Lo sportello potrebbe sbattere contro apparecchiature o scaffali adiacenti.	8.1.3.1 Lasciare almeno 25 mm di spazio su tutti e tre i lati e sopra l'apparecchio per consentire l'apertura e la chiusura regolare degli sportelli.
Informazioni generali		
9.1 Il compressore non funziona.	9.1.1 Il frigorifero è in stato di raffreddamento per il congelamento	9.1.1.1 Ciò è normale per un frigorifero che passa allo stato di congelamento in modo automatico. Il periodo di raffreddamento per il congelamento ha una durata di circa 30 minuti.
	9.1.2 Il frigorifero non è acceso.	9.1.2.1 Verificare che la spina sia inserita completamente nella presa.
		9.1.2.2 L'interruttore differenziale si è azionato? Controllare e sostituire il fusibile da 13 A e/o ripristinare l'interruttore differenziale.
9.2 Il frigorifero si attiva frequentemente o per periodi troppo lunghi	9.2.1 La temperatura ambiente è elevata.	9.2.1.1 È normale che il frigorifero si attivi di continuo.
	9.2.2 La macchina per il ghiaccio è in funzione.	9.2.2.1 Ciò è normale: la macchina per il ghiaccio crea un sovraccarico di lavoro per il frigorifero.
	9.2.3 Gli sportelli vengono aperti e chiusi di frequente.	9.2.3.1 Provare a ridurre la frequenza delle aperture dello sportello o dei cassetti.
	9.2.4 Le impostazioni del regolatore nel congelatore e degli scomparti degli alimenti sono regolate su un valore basso.	9.2.4.1 Aumentare leggermente la temperatura dello scomparto e attendere 24 ore affinché raggiunga il nuovo equilibrio termico.
	9.2.5 Le guarnizioni dello sportello possono essere sporche, consumate o spaccate.	9.2.5.1 Pulire a fondo le guarnizioni e/o scaldarle leggermente con un asciugacapelli affinché aderiscano perfettamente al telaio di metallo.
9.3 Il compressore si avvia e si spegne in maniera ciclica.	9.3.1 I sensori della temperatura degli scomparti mantengono il frigorifero alle impostazioni definite provocando l'avviamento e lo spegnimento continuo del compressore.	9.3.1.1 Ciò è normale. Il compressore del frigorifero fornirà il livello di raffreddamento richiesto.
10.1 La luce non si accende.	10.1.1 L'interruttore della luce potrebbe essere bloccato da residui di cibo.	10.1.1.1 Scollegare la spina di alimentazione elettrica. Individuare l'interruttore della luce nella parete delle condutture e azionarlo più volte per verificare se la pressione può rimuovere il cibo.
	10.1.2 L'alimentazione del frigorifero è spenta.	10.1.2.1 Verificare che la spina del cavo elettrico sia completamente inserita nella presa a muro.
11.1 Segnale acustico dall'interno del frigorifero o del congelatore.	11.1.1 Uno sportello rimane aperto per più di 60 secondi.	11.1.1.1 Ciò è normale e si ripeterà ogni minuto finché lo sportello non viene chiuso.

## 7. Dati tecnici

---

### Dati

Modello	HRF-628A*6/HRF-628I*6
Impianto elettrico: tensione/frequenza	220-240 V 50 Hz
Classe di risparmio energetico	A+
Classe climatica	SN-N-ST
Codice a stelle dello scomparto congelatore	*/***
Refrigerante	R600a 80g
Capacità lorda	610 litri
Capacità netta	550 litri
Capacità netta: scomparto frigorifero	375 litri
Capacità netta: scomparto congelatore	175 litri
Capacità congelatore/24 ore	10 kg/24 ore
Consumo energetico/anno	420 kW·h/anno
Consumo energetico (EN153)	1,15 kW·h/24 ore
Livello di rumore massimo	42 dB (A)
Tempo massimo di conservazione dall'interruzione di alimentazione	5 ore
Capacità di produzione ghiaccio	1 Kg/24 ore

Modello	HRF-630A*7/HRF-630I*7
Impianto elettrico: tensione/frequenza	220-240 V 50 Hz
Classe di risparmio energetico	A++
Classe climatica	SN-N-ST-T
Codice a stelle dello scomparto congelatore	*/***
Refrigerante	R600a 80g
Capacità lorda	610 litri
Capacità netta	550 litri
Capacità netta: scomparto frigorifero	375 litri
Capacità netta: scomparto congelatore	175 litri
Capacità congelatore/24 ore	10 kg/24 ore
Consumo energetico/anno	355 kW·h/anno
Consumo energetico (EN153)	0.97kW·h/24 ore
Livello di rumore massimo	42 dB (A)
Tempo massimo di conservazione dall'interruzione di alimentazione	5 ore
Capacità di produzione ghiaccio	1 Kg/24 ore

---

## Antes de conectar el aparato por primera vez

Uso previsto: este aparato se ha diseñado exclusivamente para uso doméstico en una zona sin humedad del interior de una casa. Cualquier otro uso inadecuado que se haga del aparato puede ocasionar daños o lesiones y el fabricante no se hará responsable.

### Consejos de uso

Compruebe que el enchufe no queda atrapado bajo el frigorífico. Cuando desee desconectar el frigorífico, agarre el enchufe con la mano y no tire del cable directamente.

Evite que el cable de alimentación se enrolle o se dañe cuando retire el frigorífico de la pared. Asegúrese de que el enchufe no está dañado. Si lo está, apague el frigorífico, desenchúfelo con cuidado y póngase en contacto con un representante del servicio técnico autorizado para que lo sustituya.

Asegúrese de que no hay ningún escape de gas o de cualquier otro producto inflamable cerca del frigorífico. Si esto se produjese, cierre la válvula del gas y abra las puertas y las ventanas, pero no desenchufe los cables del frigorífico ni de otros aparatos eléctricos.

Desenchufe el frigorífico para realizar la limpieza, el mantenimiento o cambiar la lámpara.

Utilice el tirador para abrir las puertas y preste atención al estrecho hueco que hay entre éstas para evitar dañarse los dedos.

Cuando vaya a desconectar el enchufe del frigorífico, espere al menos 5 minutos antes de volver a arrancarlo de nuevo, ya que un arranque frecuente podría dañar el compresor.

Mantenga las aperturas de ventilación libres de obstrucciones.

Cuando decida desechar el frigorífico, quitele los cierres herméticos, las estanterías y las puertas para evitar que los niños puedan quedar atrapados en el interior y llévelo todo a un lugar apropiado.

El frigorífico debe colocarse en un lugar bien ventilado, cerca de una salida de agua potable.

Asegúrese de dejar un espacio de separación de 20 cm como mínimo por la parte de arriba y de 10 cm alrededor del frigorífico.

El aparato debe situarse de manera que el enchufe quede accesible.

### Precauciones

La fuente de alimentación del frigorífico es de 220-240 VAC/50 Hz. Conectar el frigorífico a una fluctuación de voltaje incorrecta puede hacer que el electrodoméstico falle al arrancar o causarle daños al compresor o al control de temperatura. Además, puede producirse un ruido anormal al ponerse en funcionamiento. En ese caso, deberá instalar un regulador automático.

El frigorífico debe tener un enchufe específico con una toma a tierra segura. El cable de alimentación del frigorífico se suministra con un enchufe de 3 cables (toma de tierra) que deberá introducir en una toma destinada a este tipo de cables (toma de tierra). Bajo ninguna circunstancia deberá quitar o cortar el cable de toma de tierra. Tras instalar el frigorífico, el enchufe debe quedar accesible.

Nunca guarde materiales corrosivos, inflamables o explosivos en el frigorífico.

No almacene productos químicos, medicinas ni bacterias en el frigorífico. Este frigorífico es un aparato de uso doméstico. No se recomienda almacenar productos que requieran unas temperaturas de conservación estrictas.

No almacene ni utilice gasolina ni ningún otro tipo de material inflamable cerca del frigorífico para evitar incendios.

No coloque objetos inestables (artículos pesados o contenedores llenos de líquido) encima del frigorífico para evitar que se produzcan lesiones personales causadas por una posible caída del objeto o por la descarga eléctrica que se pueda producir al contacto con el agua.

No ejerza presión hacia abajo en la puerta o los compartimentos de las botellas de la puerta. La puerta podría perder verticalidad, los compartimentos de las botellas podrían romperse o el frigorífico podría caerse.

No se suba a la puerta del compartimento del congelador ni a los estantes o al cuerpo del aparato cuando se disponga a introducir o a sacar alimentos y bebidas del frigorífico.

No toque la superficie interior del compartimento de almacenamiento del congelador mientras el congelador está en funcionamiento, especialmente con las manos húmedas ya que las manos se le podrían congelar sobre la superficie.

A fin de proteger el aislamiento eléctrico, no pulverice ni rocíe el frigorífico con agua cuando se disponga a limpiarlo y no lo sitúe en una zona húmeda ni en un lugar en el que le pueda salpicar agua. Limpie y seque la suciedad y el agua que haya salpicado con un paño limpio y suave.

No desmonte ni modifique ninguna parte del frigorífico sin previa autorización. Un movimiento brusco del frigorífico puede dañar los conductos de refrigeración. Puede provocar lesiones personales o pérdidas de material.

Las reparaciones que se realicen en el frigorífico debe realizarlas el personal del servicio técnico.

No almacene nunca botellas de cerveza ni de otras bebidas en el congelador, ya que podrían explotar al congelarse.

Mantenga el frigorífico alejado de la luz del sol y de fuentes directas de calor como estufas, calderas y otros aparatos eléctricos.

No deje las puertas del frigorífico abiertas sin la supervisión de un adulto y evite que los niños se introduzcan en él.

Evite que los niños suban al cajón del congelador.

No utilice aparatos eléctricos en el frigorífico, a menos que dichos dispositivos sean de un tipo que recomiende el fabricante.

No dañe el circuito refrigerante.

No emplee secadores de pelo para descongelar el frigorífico. No deje velas encendidas cerca del frigorífico para eliminar olores. No pulverice materiales volátiles como los insecticidas sobre ninguna superficie del frigorífico.

No abra ni cierre las puertas del frigorífico cuando haya niños alrededor.

Este producto no está pensado para ser utilizado por personas (incluidos niños) con discapacidad mental, sensorial o física, o bien por quienes no tienen experiencia o carecen de conocimiento, a menos que otra persona responsable de su seguridad supervise su uso o le indique cómo debe hacerlo. No almacene demasiada comida en el congelador para evitar que el compresor tenga que trabajar más tiempo de lo normal o que la comida se caiga. Es recomendable que no sobrepase la línea de carga de los cajones.

El peso total de toda la comida no debe sobrepasar los 30 kg. Para evitar que la comida se caiga al suelo, no abra el cajón del congelador con demasiada fuerza o en ángulo.

No intente acelerar el proceso de descongelación haciendo uso de un dispositivo mecánico ni por ningún otro medio que no sea el que recomiende el fabricante exclusivamente.

Si existe un problema con la luz del frigorífico, póngase en contacto con el servicio de atención al cliente para garantizar su seguridad, ya que los clientes no deben reemplazarla.

---



# Índice

<b>1. Antes de utilizarlo</b>	<b>1</b>	<b>4. Instalación</b>	<b>15</b>
Seguridad	1	Colocación del aparato	15
Información sobre el gas refrigerante	2	Retirada e instalación de las puertas	16
Protección del medio ambiente	2	Nivelado del frigorífico congelador y ajuste de las puertas	17
<b>2. Acerca del frigorífico</b>	<b>3</b>	Nivelado de puertas	17
Acerca del compartimento para alimentos frescos	5	Ajuste de asas	17
Acerca del compartimento del congelador	6	Conexión a la toma de corriente	17
Dispensador de agua y máquina de hielo	7	Conexión a la toma de agua	18
Mueble bar	7	<b>5. Limpieza y mantenimiento</b>	<b>19</b>
Funcionamiento del frigorífico congelador	9	Desescarchado	19
Funcionamiento del dispensador de agua y hielo	12	Limpieza	19
Seguridad	12	Cortes en el suministro eléctrico	19
Desescarchado automático	12	Cuando no se utilice	19
Función de alarma	12	Filtro de agua	19
Desconexión de la pantalla	12	<b>6. Solución de problemas</b>	<b>20</b>
<b>3. Consejos de almacenamiento de alimentos</b>	<b>13</b>	<b>7. Datos técnicos</b>	<b>23</b>
Consejos sobre el almacenamiento de alimentos frescos	13		
Consejos de congelación de alimentos	14		

- Antes de comenzar a usar este electrodoméstico, asegúrese de leer el manual del usuario.
- Conserve el manual en un lugar seguro.
- Mantenga despejados los orificios de ventilación del electrodoméstico y de la estructura en la que está integrado.
- No utilice dispositivos mecánicos ni ningún otro medio para acelerar el proceso de descongelación que no estén recomendados por el fabricante.
- No dañe el circuito refrigerante.
- No utilice aparatos eléctricos dentro de los compartimentos de almacenamiento de alimentos del electrodoméstico a menos que sean de un tipo recomendado por el fabricante.
- Por nuestra política de mejora continua, nos reservamos el derecho a modificar las especificaciones sin notificación previa.

# 1. Antes de utilizarlo

---

Le agradecemos que haya comprado de este frigorífico congelador. Confiamos en que sea una solución práctica y elegante para sus necesidades de refrigeración. Lea este manual antes de utilizar su nuevo frigorífico congelador. Consérvelo en un lugar seguro y, en su caso, entrégueselo a cualquier nuevo propietario. Esperamos que este manual le proporcione toda la información que necesite. En caso de tener alguna duda, le rogamos que se ponga en contacto con nosotros (consulte en el apartado de la garantía los detalles sobre atención al cliente).

- ▲ **ADVERTENCIA** Este electrodoméstico debe conectarse a tierra.
- ▲ Deje el aparato de pie al menos seis horas. De este modo, el sistema de enfriamiento se estabilizará después del transporte.
- ▲ Asegúrese de que la instalación del electrodoméstico la realiza siempre una persona debidamente cualificada.
- ▲ El compartimento del congelador tiene una clasificación de 4 estrellas.
- ▲ El electrodoméstico se ha diseñado exclusivamente para el uso doméstico. Cualquier uso con otra finalidad podría invalidar cualquier garantía o reclamación de responsabilidad.
- Antes de conectarlo a la toma de corriente, limpie el interior del electrodoméstico con agua templada y bicarbonato sódico, y séquelo bien cuando termine.
- Compruebe que no haya ningún elemento del aparato dañado, especialmente las piezas del sistema de enfriamiento, los tubos o los cables. Si se ha producido algún daño, NO instale el electrodoméstico; póngase en contacto con un técnico cualificado del servicio técnico o con la atención al cliente.
- Si los accesorios del interior del aparato se han descolocado durante el traslado, sitúelos en su posición correcta siguiendo las instrucciones.
- Cerciórese de que el suministro eléctrico de la toma de corriente sea correcto para el electrodoméstico; la información sobre la alimentación necesaria obra en la etiqueta de datos del aparato. La etiqueta de datos se encuentra dentro del electrodoméstico (parte superior del compartimento del frigorífico).
- Una vez colocado, limpiado y secado el aparato, y tras permanecer de pie después del transporte, estará listo para enchufarlo y encenderlo.

## Seguridad

- ▲ **ADVERTENCIA** Emplee únicamente agua potable en este electrodoméstico.
- ▲ **ADVERTENCIA** Mantenga el aparato libre de obstrucciones.

- ▲ NO dañe el circuito refrigerante. Si se daña, no utilice el electrodoméstico.
- ▲ **ADVERTENCIA** NO emplee dispositivos mecánicos (como secadores de pelo) para descongelar el aparato.
- ▲ **ADVERTENCIA** Antes de utilizarlos, DEBE enjuagar los conductos de agua y hielo. Consulte la sección Dispensador de agua y máquina de hielo de este manual.
- Cuando sustituya electrodomésticos antiguos, asegúrese de desactivar cualquier mecanismo de bloqueo antes de desecharlos (puede ser recomendable incluso retirar la puerta totalmente para evitar que pueda quedar atrapado algún niño en su interior).
- El aparato debe conectarse a la toma de corriente con seguridad. Las conexiones poco firmes, enchufes rotos y cables pelados constituyen un riesgo para la seguridad. Asegúrese de que todas las conexiones sean correctas.
- Antes de llevar a cabo ninguna tarea de mantenimiento o pequeña reparación, desconecte el aparato de la toma de corriente. Desenchúfelo también a la hora de limpiarlo y cambiar las bombillas.
- NO toque las superficies frías del electrodoméstico cuando esté funcionando, ya que podrían quedarse pegadas las manos y sufrir quemaduras por congelación.
- Cuando mueva el aparato, tenga cuidado para no dañar los cables o conductos, ni la unidad de condensador. Si se estropea alguna de estas piezas, póngase en contacto con un técnico de servicio cualificado.
- Nunca se deben congelar líquidos efervescentes (bebidas con burbujas). Estos líquidos se expanden durante la congelación, lo que puede ocasionar que las botellas/recipientes se rompan o revienten.
- No consuma congelado ningún alimento que haya sido procesado para ser descongelado antes de su consumo, como panes o carnes.
- No ingiera ningún alimento cuyo aspecto u olor sea extraño. Si tiene dudas, deséchelo.
- No utilice nunca utensilios metálicos afilados para despegar el hielo de la superficie de este electrodoméstico. Emplee exclusivamente utensilios adecuados para este propósito (como rascadores de plástico) y de forma cuidadosa para evitar dañar el revestimiento interno del aparato.
- El sistema de enfriamiento contiene refrigerantes y aceites cuyas fugas son perjudiciales para la salud. En el caso de que se produzca una fuga, desconecte el electrodoméstico y ventile la habitación. Evite el contacto de cualquier sustancia refrigerante con los ojos o zonas cercanas. Póngase en contacto con un técnico de servicio o disponga la retirada del aparato.

## Seguridad eléctrica

- La conexión a la toma de corriente debe cumplir la normativa local.
- El enchufe DEBE estar accesible después de haber colocado el electrodoméstico.
- Asegúrese de que el cable de alimentación no queda atrapado por el frigorífico.
- No pise el cable.
- Evite dañar el cable de alimentación al mover el frigorífico.

### Cable de alimentación dañado

Si el cable de alimentación se daña o está gastado, apague el frigorífico y póngase en contacto con un técnico autorizado para sustituirlo.

## Información sobre el gas refrigerante

IMPORTANTE: el aparato se suministra con gas refrigerante ISOBUTANO (R600a). Al mover el electrodoméstico tenga cuidado para no golpearlo ni agitarlo excesivamente. De lo contrario, podría dañarse el aparato.

Los daños en el circuito refrigerante, que podrían ocasionar una fuga de gas refrigerante, constituyen un riesgo de explosión por chispas o llamas externas.

### En el caso de fugas accidentales

Permita que el material se evapore proporcionando una adecuada ventilación.

### Comportamiento del gas

Este gas refrigerante es muy inflamable por lo que se debe impedir que entre en contacto con superficies calientes o llamas. El gas R600a es más pesado que el aire, por lo que si se libera, forma una alta concentración a nivel del suelo, donde la ventilación es escasa.

## Primeros auxilios

### Inhalación

Saque a la persona expuesta del área contaminada y llévela a un lugar bien ventilado y cálido.

Una exposición prolongada puede provocar un principio de asfixia y pérdida de conciencia. Si es necesario, practique la respiración artificial y, en los casos más graves, administre oxígeno bajo una estrecha supervisión médica.

### Contacto con la piel

El contacto ocasional con la piel, aunque peligroso, es bastante improbable. En el caso de que se produzca, lave bien la zona afectada.

El líquido atomizado y las salpicaduras pueden provocar quemaduras por congelación. Lave la parte afectada con abundante agua y avise a un médico para que trate cualquier quemadura.

### Contacto con los ojos

Lávelos con abundante agua, manteniendo los párpados abiertos, y acuda a un médico especialista lo antes posible.

En el caso de inhalar o entrar en contacto con el gas en cualquier circunstancia, se recomienda acudir al médico.

## Protección del medio ambiente

### Eliminación del embalaje

Su nuevo frigorífico viene protegido, hasta alcanzar su destino, por un embalaje adecuado. Todo el material utilizado es respetuoso con el medio ambiente en cuanto a su eliminación y es reciclable. Le rogamos que contribuya a proteger el medio ambiente desechando el embalaje de la forma adecuada.

### Eliminación del antiguo frigorífico



Este símbolo que presenta el producto o el embalaje indica que el producto no puede tratarse como un residuo doméstico. En su lugar, debe entregarse en el punto limpio local o en un centro de reciclaje.

Los electrodomésticos antiguos conservan cierto valor residual. Un método de tratamiento de residuos respetuoso con el medio ambiente garantizará la recuperación y reutilización de todas las materias primas valiosas.

Cuando un electrodoméstico llegue al final de su vida útil, desconéctelo de la toma de corriente. Corte el cable de corriente y deséchelo junto con el enchufe.

Impida que la puerta pueda utilizarse (eliminando las juntas) o bien desmóntela para que los niños no puedan quedarse encerrados accidentalmente en él.

La espuma aislante contiene como expansor cicloisopentano, una sustancia inflamable que no daña la capa de ozono.

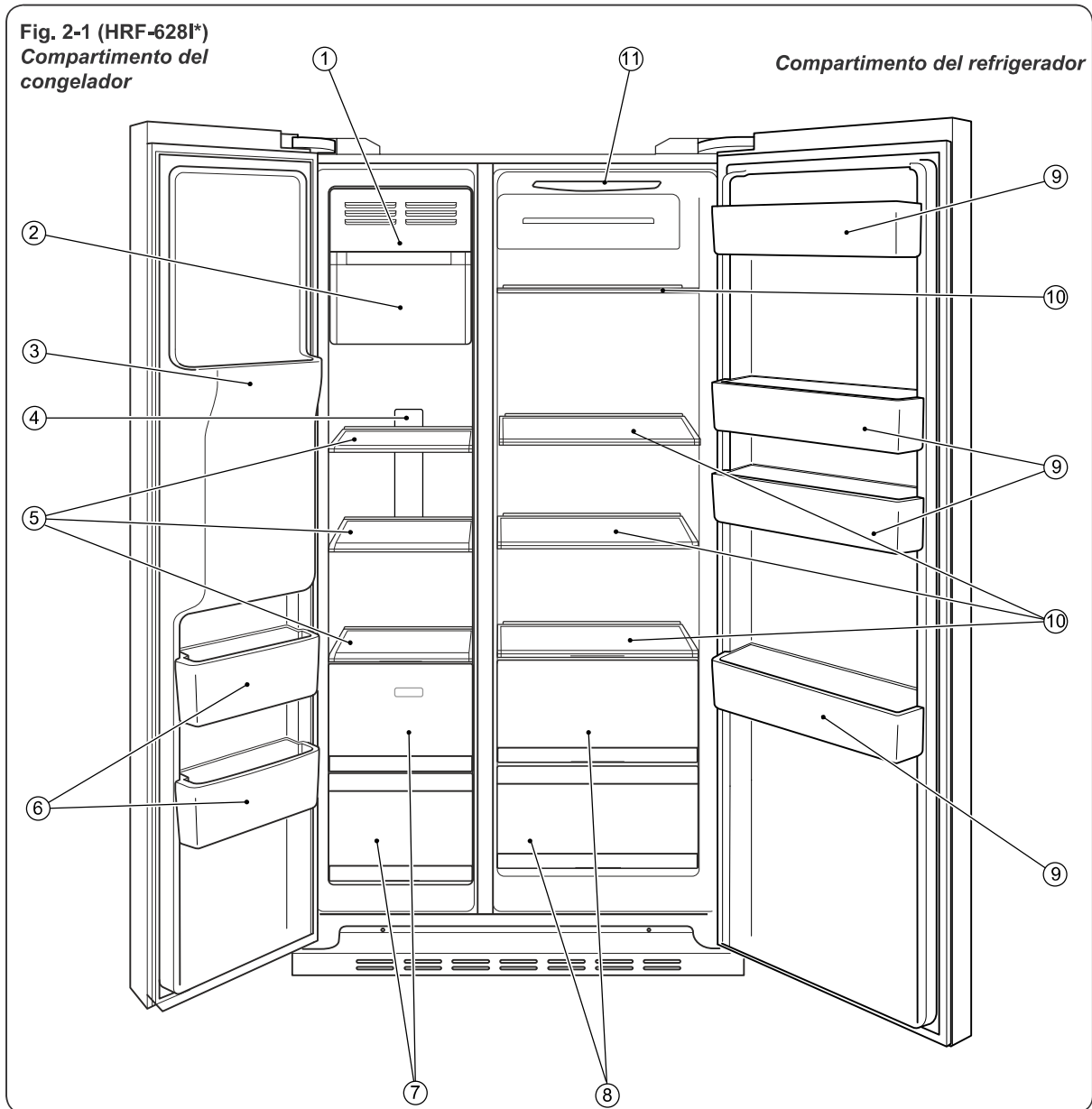
Al transportar el electrodoméstico, tenga cuidado de no dañar el circuito de enfriamiento.

Asegúrese de que este aparato se desecha correctamente, ya que de esta forma ayudará a evitar posibles consecuencias negativas para el medio ambiente y la salud humana que, de lo contrario, podrían producirse.

Para obtener información más detallada acerca de la forma de reciclar este producto, póngase en contacto con su ayuntamiento, con el servicio de eliminación de desechos domésticos o con la tienda en la que lo adquirió.

11

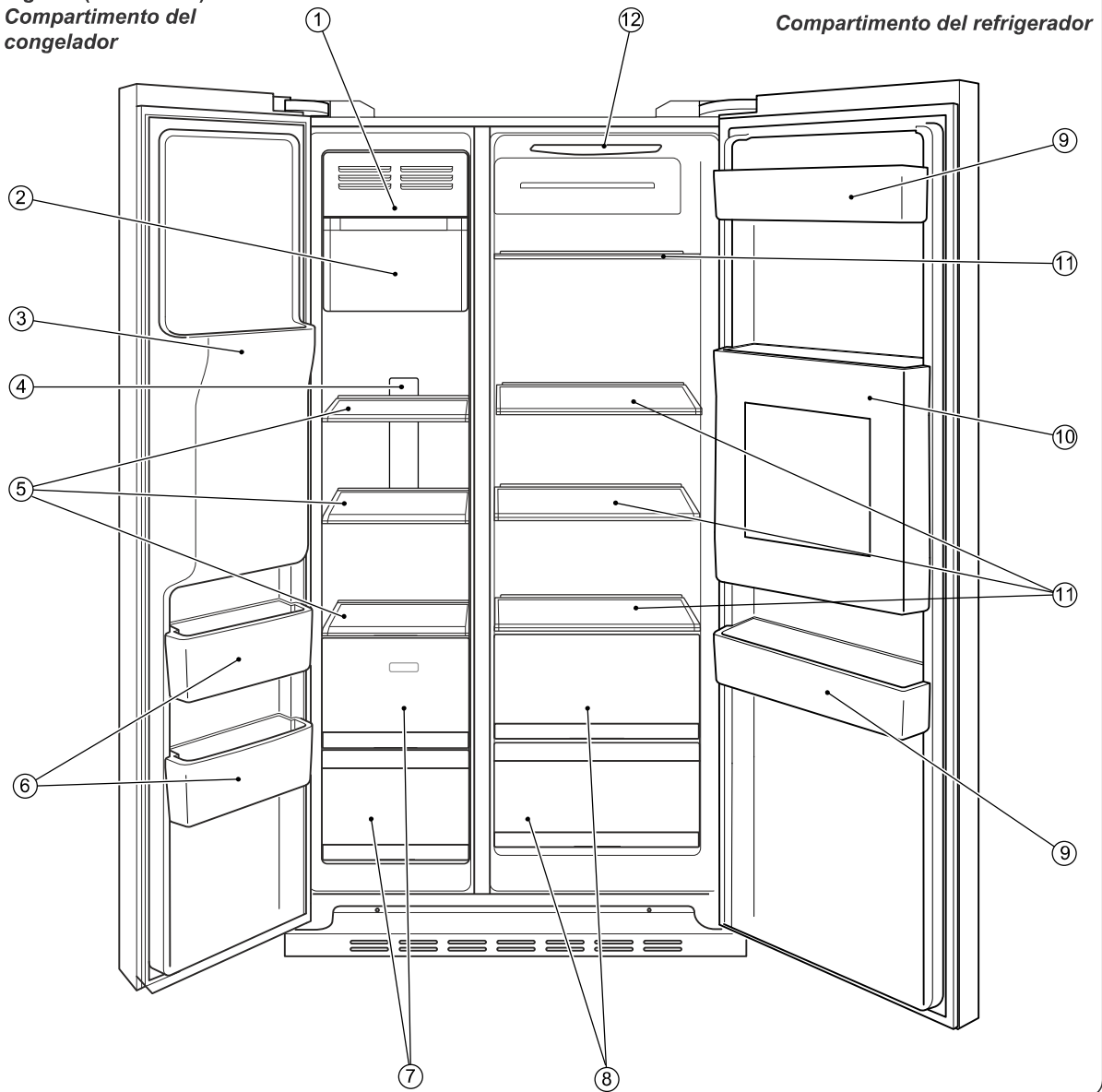
## 2. Acerca del frigorífico



El HRF-628I\* (Fig. 2-1) presenta las características siguientes:

- |   |   |
|---|---|
| <ul style="list-style-type: none"> <li>1. Estante para helados</li> <li>2. Depósito de hielo con máquina de hielo (dentro del depósito)</li> <li>3. Dispensador de agua y hielo</li> <li>4. Luz LED de congelador</li> <li>5. 3 estantes de almacenamiento del congelador</li> <li>6. 2 soportes de puerta de congelador</li> <li>7. 2 cajones en el congelador(HRF-628I*6)<br/>3 cajones en el congelador(HRF-630I*7)</li> </ul> | <ul style="list-style-type: none"> <li>8. 2 cajones verduleros(HRF-628I*6)<br/>1 cajón con regulación de humedad y dos cajones verduleros(HRF-630I*7)</li> <li>9. 4 soportes de puerta de refrigerador</li> <li>10. 4 estantes de almacenamiento de refrigerador</li> <li>11. Luz LED de refrigerador</li> </ul> <p>Libre de CFC y escarcha</p> <p>Opciones de congelación rápida, enfriamiento rápido y vacaciones</p> <p>Pantalla de temperatura automática</p> |
|---|---|

**Fig. 2-2 (HRF-628A\*)**  
**Compartimento del congelador**



El HRF-628A\* (Fig.2-2) presenta las características siguientes:

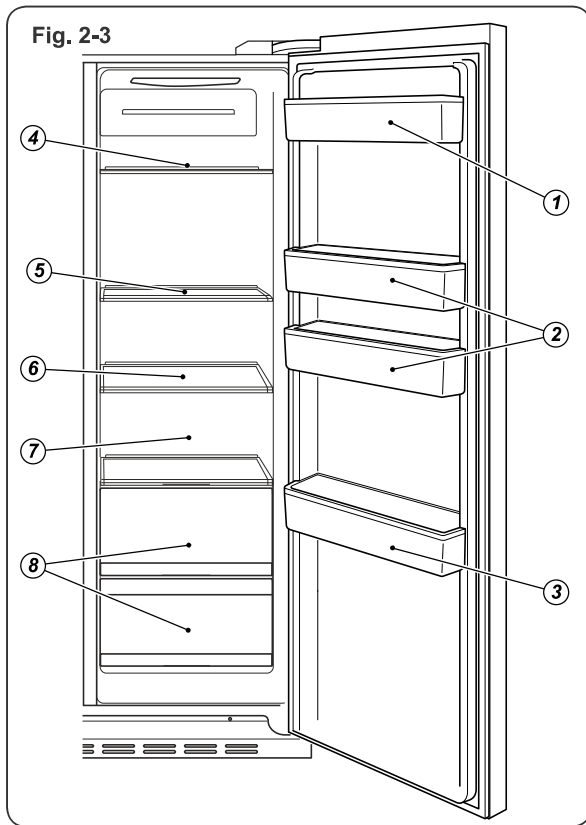
1. Estante para helados
2. Depósito de hielo con máquina de hielo (dentro del depósito)
3. Dispensador de agua y hielo
4. Luz LED de congelador
5. 3 estantes de almacenamiento del congelador
6. 2 soportes de puerta de congelador
7. 2 cajones en el congelador(HRF-628A\*6)  
3 cajones en el congelador(HRF-630A\*7)
8. 2 cajones verduleros(HRF-628A\*6)  
1 cajón con regulación de humedad y dos cajones verduleros(HRF-630A\*7)

9. 2 soportes de puerta de refrigerador
10. Tapa interior del mueble bar
11. 4 estantes de almacenamiento de refrigerador
12. Luz LED de refrigerador

Libre de CFC y escarcha.

Opciones de congelado rápido, enfriamiento rápido y vacaciones.

Pantalla de temperatura automática.



## Acerca del compartimento para alimentos frescos

Al guardar los alimentos, se recomienda dejar espacio entre ellos para que haya una buena circulación de aire frío. La temperatura del frigorífico es algo menos fría en la parte de arriba que en la de abajo.

Los alimentos que se deterioran más rápidamente se deben situar hacia el fondo del aparato, donde hace más frío.

Sugerencias para el almacenamiento (Fig. 2-3):

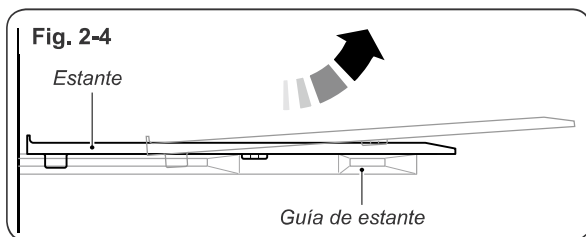
1. Huevos, mantequilla, queso, etc.
2. Latas, tarros, condimentos, etc.
3. Bebidas y todo tipo de alimentos embotellados.
4. Encurtidos, bebidas o latas.
5. Carnes, pollo, pescado y alimentos crudos.
6. Bollería, botes, lácteos, etc.
7. Alimentos cocinados, embutidos, etc.
8. Frutas, verduras o ensaladas.

## Estantes

La altura de los estantes se puede ajustar para adaptarse a las necesidades de almacenamiento.

Los estantes no saldrán accidentalmente al extraer alimentos del aparato.

**▲ Al ajustar la altura de un estante, retire primero cualquier alimento que haya sobre él.**



## Estantes

Para extraer un estante, desplace la parte frontal hacia arriba, de modo que las pestañas de sujeción salgan de las guías laterales (Fig. 2-4) y tire de él hacia usted. Mantenga el estante inclinado para que las pestañas de sujeción permanezcan fuera de las guías laterales.

Al volver a colocarlo, cerciórese de que el estante entra completamente hasta el fondo y de que las pestañas de bloqueo encajan firmemente.

## Luz

La luz LED interior se enciende al abrir la puerta. La configuración de cualquier otra opción del aparato no afecta al rendimiento de la luz.

## Acerca del compartimento del congelador

El compartimento del congelador se compone de 2 cajones, un estante de helados, 3 estantes de cristal y 2 soportes de puerta (Fig. 2-5).

Al igual que sucede con el frigorífico, para algunos alimentos son más adecuados para determinadas partes del congelador.

Los helados y polos se guardan mejor en el estante de helados o hacia el fondo del aparato, donde el frío es mayor.

Con el fin de evitar daños en el electrodoméstico, los cajones de la parte inferior del aparato son especialmente adecuados para los alimentos grandes o pesados (como las piezas de carne para asar), mientras que los estantes son más adecuados para los productos ligeros.

Se recomienda cerciorarse de que los alimentos que se van a guardar sean adecuados para la congelación y asegurarse de colocarlos de forma segura dentro del aparato.

- ⚠ Guarde una distancia de más de 10 mm entre los alimentos y el sensor para garantizar el enfriamiento.
- ⚠ Mantenga el cajón inferior cerrado mientras el frigorífico esté en funcionamiento para garantizar el enfriamiento.

### Estantes

Para extraer el estante, incline la parte frontal hacia arriba de modo que las pestañas de sujeción salgan de las guías laterales (Fig. 2-6) y, a continuación, tire de él hacia usted. Mantenga el estante inclinado para que las pestañas de sujeción permanezcan fuera de las guías laterales.

Al volver a colocarlo, cerciórese de que el estante entra completamente hasta el fondo y de que las pestañas de bloqueo encajan firmemente.

### Luz

Las luces LED interiores se encienden al abrir la puerta. La configuración de cualquier otra opción del aparato no afecta al rendimiento de las luces.

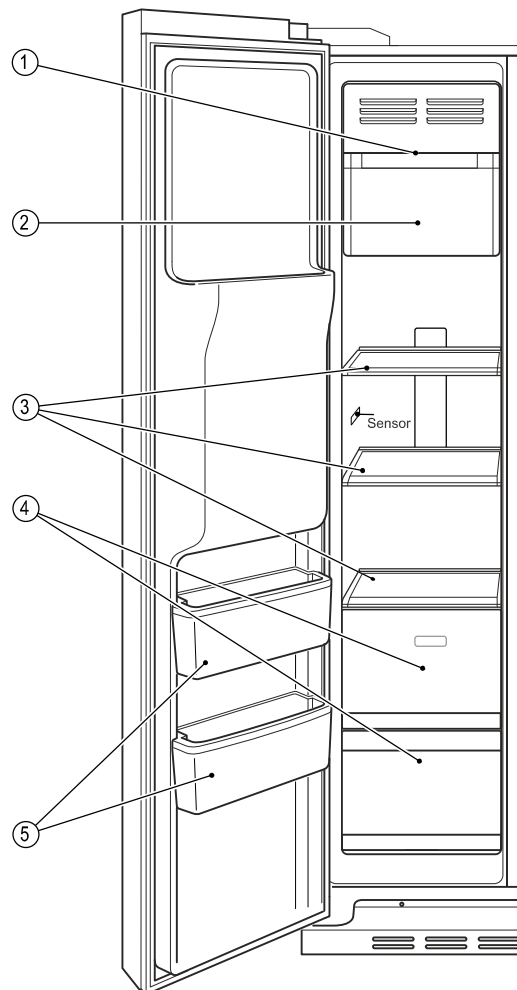
## Descongelación de alimentos para su preparación

En el caso de que los alimentos se descongelen total o parcialmente, deben consumirse lo antes posible puesto que su calidad se verá afectada por la descongelación.

- ⚠ Asegúrese de que la comida esté totalmente descongelada antes de cocinarla y de que no quede ningún resto de hielo. Esto es especialmente importante en el caso de las carnes de ave, puesto que lo contrario podría ser gravemente perjudicial para la salud.

Siga siempre las instrucciones de descongelación del paquete en el caso de las comidas preparadas (lo mejor es seguir siempre las instrucciones del fabricante, dado que algunos alimentos congelados han de cocinarse directamente, sin descongelar).

Fig. 2-5



- |                               |                              |
|-------------------------------|------------------------------|
| 1. Estante para helados       | 4. Cajones de almacenamiento |
| 2. Depósito de hielo          | 5. Soportes de puerta        |
| 3. Estantes de almacenamiento |                              |

Fig. 2-6

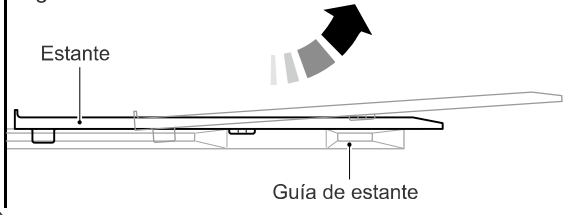


Fig. 2-7

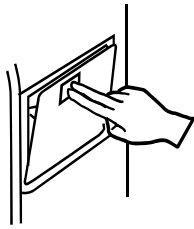


Fig. 2-8

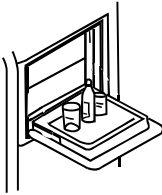


Fig. 2-9

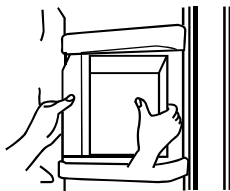
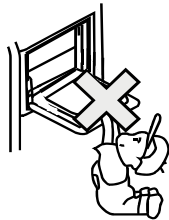


Fig. 2-10



## Dispensador de agua y máquina de hielo

### Precauciones

- NUNCA esponga el conducto del agua a temperaturas inferiores a 0 °C para evitar su congelación.
- Compruebe si en el conducto hay fugas haciendo circular agua por su interior hasta que corra libremente.
- Después de situar el aparato en el lugar que elija, asegúrese de que el conducto del agua se coloque de modo que no sufra ningún daño por estar retorcido o doblado y de que esté alejado de superficies calientes.
- Una vez que la temperatura interior del congelador llegue a -12 °C, comenzará a producirse hielo.
- NO utilice excesivamente la máquina de hielo. Si emplea el botón de cubitos de hielo con demasiada frecuencia, se desconectará. Es algo perfectamente normal y tendrá que esperar una hora antes de volver a utilizarlo.
- NO emplee cristal fino o delicado.
- Para evitar cualquier daño o lesión, no toque la salida de cubitos de hielo con las manos ni con cualquier otro utensilio.
- NO añada agua manualmente, ya que el sistema de agua es automático. Aunque la máquina de hielo esté encendida, no funcionará si el aparato no está conectado a la toma de agua.

### Funcionamiento de la máquina de hielo

La capacidad de la máquina de hielo es de 1 kg/24 horas (según las pruebas de laboratorio con una temperatura ambiente de 32 °C). Con el uso diario del electrodoméstico, en función de la temperatura ambiente y de la presión del agua, la capacidad de producción de hielo puede variar ligeramente.

No guarde los cubitos de hielo que se produzcan la primera vez que utilice esta función ni después de haber estado apagado un largo periodo de tiempo. Tire esos cubitos. Para permitir que la bandeja de cubitos de hielo se llene a su máxima capacidad, tendrá que colocar manualmente los cubitos de vez en cuando.

Algunos cubitos se pueden pegar entre sí al caer a la caja de almacenamiento: despéguelos para aprovechar al máximo la capacidad.

### Mueble bar

- Para acceder al bar, pulse el botón del compartimento (Fig. 2-7) y se abrirá. El mueble bar se puede utilizar sin abrir la puerta del aparato, de modo que se ahorra energía. Cuando se abre el mueble bar, la luz del frigorífico se enciende.
  - En el mueble bar se pueden guardar bebidas y alimentos (Fig. 2-8).
  - No quite la tapa interior del mueble bar (Fig. 2-9). Si lo hace, el mueble bar no funcionará.
  - No deje que los niños se acerquen al mueble bar (Fig. 2-10). De lo contrario, podrían lesionarse y producirse daños en el aparato.
- ▲ Cierre el mueble bar lo antes posible para mantener el frío dentro del aparato. El sistema de advertencia se activa cuando una puerta no está bien cerrada.

## Primer uso del dispensador de agua/máquina de hielo

⚠ **NO consuma los primeros siete (aprox.) vasos de agua, dado que los conductos de agua podrían contener polvo o impurezas.**

De este modo se asegurará de que todos los conductos están limpios. En caso de duda, siga usando el dispensador de agua hasta que esta salga limpia.

## Ruidos durante la fabricación de hielo

El proceso de fabricación de hielo puede ser ruidoso. Puede que escuche cómo cae el hielo en el compartimento de almacenamiento. Esto es algo completamente normal.

## Almacenamiento de hielo durante periodos prolongados

El hielo que permanece almacenado durante prolongados periodos de tiempo puede adquirir un color opaco y un olor extraño. Se recomienda sacar el hielo, tirarlo y limpiar el depósito. Para evitar que el hielo se pegue, antes de volver a colocar la bandeja en el aparato, deje que se seque y se enfríe completamente.

## Desactivación de la fabricación de hielo

Si no va a necesitar hielo durante un periodo prolongado (p. ej., en invierno) puede desconectar la válvula de la fuente de agua y el electrodoméstico. Se recomienda limpiar el depósito del hielo, secarlo bien y volver a colocarlo en el aparato; así evitará olores.

## Instalación y extracción del cajón de almacenamiento de cubitos de hielo

Para extraer el depósito del hielo, sujete el cajón por la mitad, levántelo y tire de él hacia afuera, extrayéndolo (Fig. 2-11).

Nota: es posible que se haya condensado y congelado agua en la zona del depósito del hielo.

Si es difícil colocarlo, extraígalo y gire el mecanismo de leva 90° hacia la derecha (Fig. 2-12). Reinstale el depósito de hielo, cerciorándose de que el gancho de la bandeja entra en la ranura.

## Si la máquina de hielo no funciona correctamente

El volumen del depósito de hielo corresponde a la cantidad de cubitos de hielo que puede fabricar el aparato en un día. De forma ocasional, pueden permanecer algunos cubitos dentro del depósito. Si el hielo se atasca, provocará un funcionamiento anormal de la máquina de hielo. Para evitar este problema, extraiga el depósito de hielo y vuelva a colocar los cubitos, desechando los que no se puedan separar.

⚠ Mantenga siempre limpia y libre de obstrucciones la salida de cubitos.

⚠ Si retira el depósito de hielo, tendrá espacio extra para almacenar alimentos. Para que sea cómodo el almacenamiento de estos, instale en la puerta del congelador, por encima de la entrada, el soporte de botellas adicional suministrado (Fig. 2-13).

Fig. 2-11

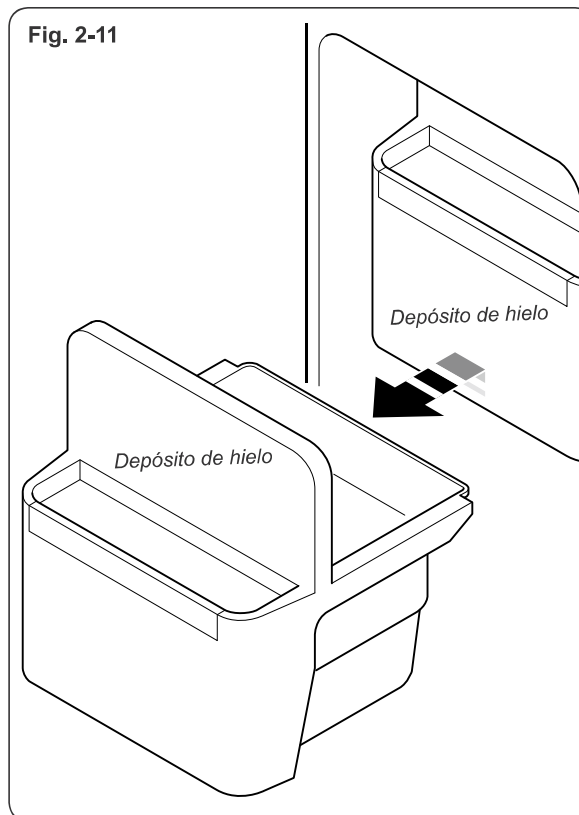


Fig. 2-12

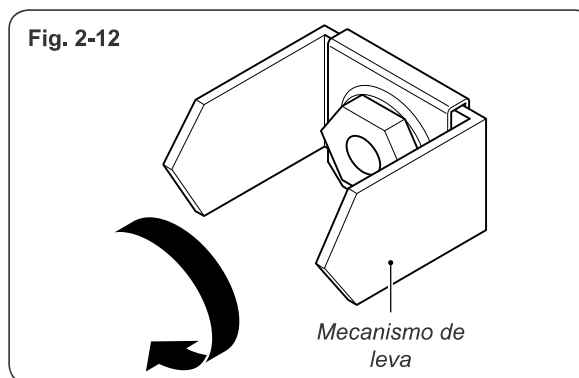
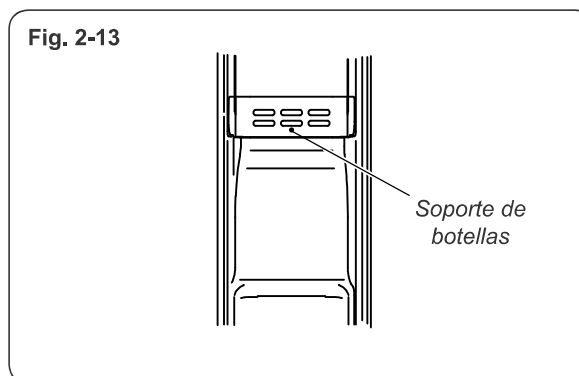
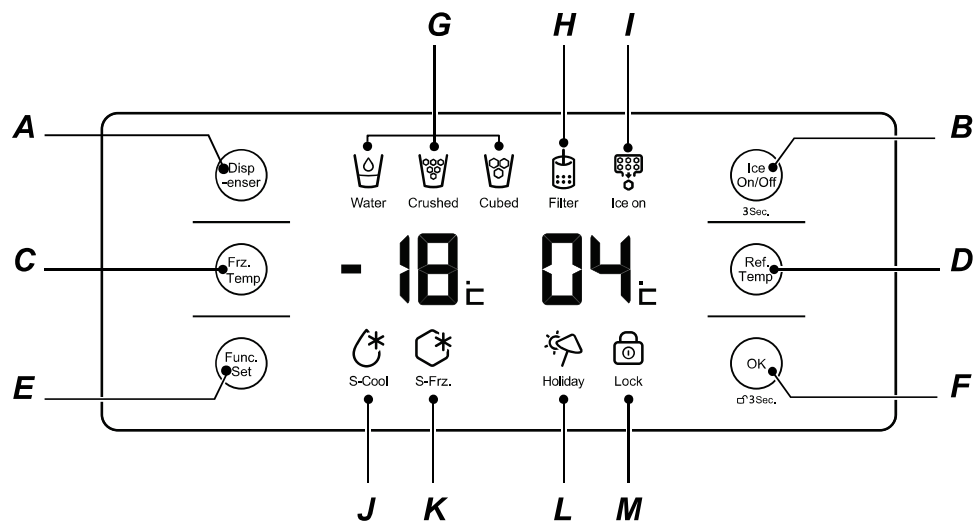


Fig. 2-13



## Funcionamiento del frigorífico congelador

Fig. 2-14



A – Botón de selección del dispensador

B – Botón de encendido/apagado de la máquina de hielo

C – Botón de temperatura del congelador

D – Botón de temperatura del frigorífico

E – Botón de selección de función

F – Botón de confirmación de función

G – Icono de estado del dispensador

H – Icono de estado de cambio de filtro

I – Icono de estado de la máquina de hielo

J – Icono de enfriamiento rápido

K – Icono de congelación rápida

L – Icono del modo vacaciones

M – Icono de bloqueo

La Fig. 2-14 muestra la pantalla digital del dispensador de agua y hielo y los botones de funciones.

### ▲ ADVERTENCIA

La configuración de temperatura del electrodoméstico no se puede establecer en el modo congelación rápida ni en el modo bloqueo.

Si intenta ajustar la configuración en estos modos, el icono de la función especial, situado junto al icono de la pantalla de temperatura del congelador, empezará a parpadear y sonará un pitido para avisarle de que en ese momento no se puede ajustar la temperatura.

Fig. 2-15

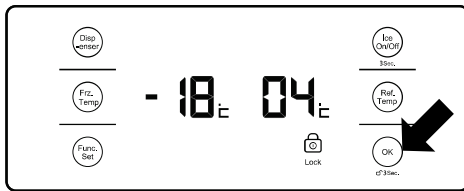


Fig. 2-16

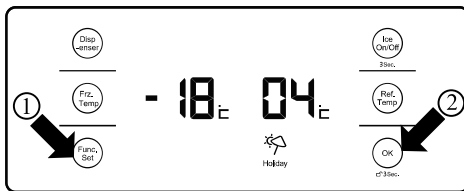
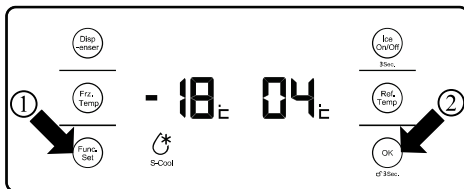


Fig. 2-17



## Modo bloqueo

Esta función bloqueará la configuración de temperatura y las funciones. Cuando esté bloqueado, el icono parpadeará y sonará un pitido.

### Para bloquear

Mantenga pulsado el botón "OK" durante 3 segundos (Fig. 2-15). El icono LOCK se iluminará y el frigorífico quedará bloqueado.

### Para desbloquear

Mantenga pulsado el botón "OK" durante 3 segundos. El icono LOCK se apagará y el frigorífico quedará desbloqueado.

## Modo vacaciones

▲ ADVERTENCIA Antes de seleccionar el modo vacaciones, extraiga todos los alimentos y bebidas del compartimento del frigorífico puesto que su ingestión podría ser perjudicial después de un breve periodo de tiempo.

Emplee esta función para dejar de utilizar el compartimento frigorífico y mantener el congelador funcionando normalmente. Cuando se active este modo, el frigorífico se ajustará automáticamente a 17 °C.

### Para activarlo

1. Pulse el botón "FUNC.SET" hasta seleccionar el modo vacaciones (Fig. 2-16).
2. Pulse a continuación el botón "OK": el icono HOLIDAY se iluminará.

### Para desactivarlo

1. Pulse el botón "FUNC.SET" hasta seleccionar el modo vacaciones.
2. Pulse el botón "OK": el icono HOLIDAY se apagará.

## Modo enfriamiento rápido

Esta función permite enfriar rápidamente la comida para que los alimentos permanezcan frescos la mayor parte del tiempo posible. Utilícela antes de introducir en el frigorífico una gran cantidad de alimentos a la vez.

El modo enfriamiento rápido se desactivará una vez alcanzada la temperatura establecida.

### Para activarlo

1. Pulse el botón "FUNC.SET" hasta seleccionar el modo enfriamiento rápido (Fig. 2-17).
2. Pulse a continuación el botón "OK": el icono S-COOL se iluminará.

### Para desactivarlo

1. Pulse el botón "FUNC.SET" hasta seleccionar el modo enfriamiento rápido.
2. Pulse a continuación el botón "OK": el icono S-COOL se apagará. Quedará desactivado el modo enfriamiento rápido.

## Modo congelación rápida

Esta función está diseñada para congelar alimentos en el periodo de tiempo más corto posible, con el fin de conservar sus nutrientes.

El modo congelación rápida se desactivará una vez alcanzada la temperatura establecida.

Utilice esta función antes de introducir en el congelador una gran cantidad de alimentos a la vez. Se recomienda activar el modo congelación rápida con una antelación de 12 horas, de forma que la temperatura del compartimento congelador descienda antes de introducir en él los alimentos.

### Para activarlo

1. Pulse el botón "FUNC.SET" hasta seleccionar el modo congelación rápida (Fig. 2-18).
2. Pulse el botón "OK": el icono S-Frz. se iluminará.

### Para desactivarlo

1. Pulse el botón "FUNC.SET" hasta seleccionar el modo congelación rápida.
2. Pulse el botón "OK": el icono S-Frz. se apagará. Quedará desactivado el modo congelación rápida.

## Ajuste de la temperatura de los alimentos frescos

Pulse el botón "Ref. Temp" (Fig. 2-19). La temperatura del frigorífico que se muestra la pantalla empezará a parpadear, lo que significa que el frigorífico estará en el modo ajuste de temperatura.

Pulse el botón "Ref. Temp" para desplazarse por el intervalo de temperaturas del frigorífico, desde 09 a 01 °C.

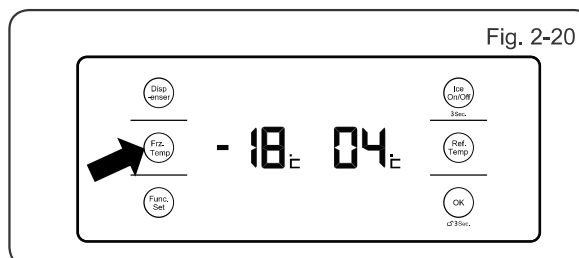
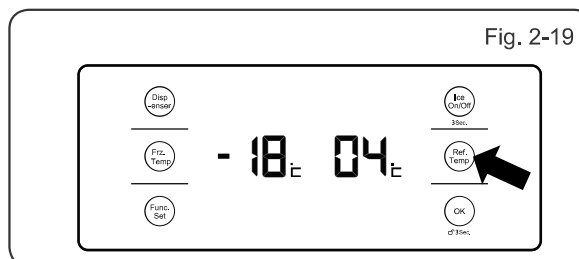
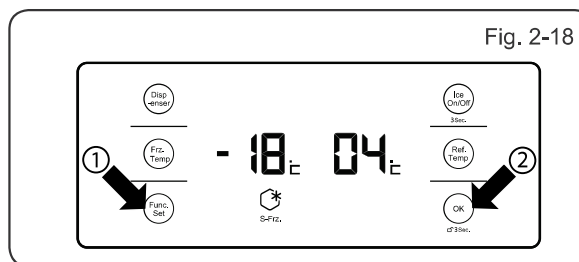
Si no se realiza ninguna otra operación al cabo de 5 segundos, el parpadeo se detendrá y la temperatura quedará establecida. La temperatura se fijará si se pulsa cualquier otro botón durante el parpadeo.

## Ajuste de la temperatura del congelador

Pulse el botón "Frz. Temp" (Fig. 2-20). La temperatura del congelador que se muestra la pantalla empezará a parpadear, lo que significa que el congelador estará en el modo ajuste de temperatura.

Pulse el botón "Frz. Temp" para desplazarse por el intervalo de temperaturas del congelador, desde -14 a -24 °C.

Si no se realiza ninguna otra operación al cabo de 5 segundos, el parpadeo se detendrá y la temperatura quedará establecida. La temperatura se fijará si se pulsa cualquier otro botón durante el parpadeo.



## Funcionamiento del dispensador de agua y hielo

Este frigorífico congelador dispone de tres opciones: agua fría, hielo picado y cubitos de hielo. Para evitar derramamientos, asegúrese SIEMPRE que coloca el vaso pegado al dispensador antes de realizar su selección. Para sacar el hielo del dispensador, se recomiendan recipientes con una anchura mínima de 80 mm.

### Activación/desactivación de la máquina de hielo

Al encender por primera vez el frigorífico congelador, la máquina de hielo viene desactivada de fábrica.

#### Para activarla

- Pulse el botón "ICE MAKER ON/OFF" durante 3 segundos. Su icono se iluminará y la máquina de hielo empezará a funcionar.

#### Para desactivarla

- Pulse el botón "ICE MAKER ON/OFF" durante 3 segundos. Su icono se apagará y la máquina de hielo dejará de funcionar.

**IMPORTANTE:** como al desconectarla el hielo se derretirá, asegúrese de vaciar antes el contenedor de la máquina de hielo.

### Dispensador de agua fría

1. Sujete el vaso junto al dispensador.
2. Pulse el botón de selección del dispensador para elegir agua fría. Se iluminará el icono WATER.
3. Empuje ligeramente la palanca con el vaso para que salga el agua fría.

### Dispensador de hielo picado

1. Sujete el vaso junto al dispensador.
2. Pulse el botón de selección del dispensador para elegir hielo picado. Se iluminará el icono CRUSHED.
3. Empuje ligeramente la palanca con el vaso para que salga el hielo picado.

### Dispensador de cubitos de hielo

1. Sujete el vaso junto al dispensador.
2. Pulse el botón de selección del dispensador para elegir cubitos de hielo. Se iluminará el icono CUBED.
3. Empuje ligeramente la palanca con el vaso para que salgan los cubitos de hielo.

### Cambio del filtro de agua

El icono de estado de cambio de filtro se ilumina para indicar que es necesario sustituir el filtro de agua (aproximadamente cada 6 meses). Después de sustituirlo, pulse el botón "Func. Set" durante 3 segundos. El icono de estado de cambio de filtro se apagará.

## Seguridad

- ▲ NO emplee vasos muy hondos, estrechos, frágiles o delicados.
- Mantenga el vaso tan cerca del dispensador como sea posible para evitar que se derrame el agua o el hielo, así como para evitar los atascos de hielo en el dispensador de cubitos.
- Cinco segundos después de que finalice el suministro de hielo o agua, la tapa del dispensador volverá a su posición y se escuchará un sonido de cierre. Después de llenarlo y soltar la palanca, mantenga el vaso bajo el dispensador durante 2-3 segundos (para el hielo) o 1-2 segundos (para el agua) para recoger los posibles restos.
- Limpie con regularidad el dispensador.
- Para mantener la calidad del agua, es necesario sustituir de vez en cuando el filtro. Se recomienda cambiar el filtro del agua cada 6 meses. No obstante, si la calidad del agua presenta síntomas de deterioro, por su aspecto o gusto, habrá de sustituir el filtro antes.
- Puede que el frigorífico suministre hielo picado en lugar de cubitos cuando la opción seleccionada previamente haya sido la de hielo picado.
- ▲ JAMÁS introduzca bebidas o alimentos envasados dentro del dispensador, puesto que esto puede dañar el mecanismo de picado.
- ▲ NO toque el dispensador ni retire la tapa de la máquina de hielo para evitar lesiones accidentales o daños en el aparato.
- No se deben consumir los primeros vasos de agua (siete, aproximadamente) o cubitos de hielo (unos 20) que se produzcan tras la instalación inicial del frigorífico ni después de una prolongada interrupción de su actividad. Deséchelos convenientemente.
- Para evitar daños en el mecanismo, no rellene el cajón de almacenamiento con cubitos de hielo que no procedan de la máquina de hielo.
- Un suministro de agua insuficiente puede ocasionar que los cubitos de hielo sean pequeños. Un suministro excesivo puede provocar que los cubitos sean muy grandes y que se peguen, ocasionando fugas y bloqueos en el dispensador. En tal caso, regule el grifo o póngase en contacto con un técnico de servicio.

### Desescarchado automático

No es necesario desescarchar el frigorífico dado que el aparato dispone de una función de desescarchado automático.

- ▲ NO utilice dispositivos mecánicos para acelerar el proceso de desescarchado a menos que sean de un tipo recomendado por el fabricante.

### Función de alarma

Si una puerta se queda abierta durante mucho tiempo o no se cierra correctamente, el frigorífico congelador emitirá un pitido a intervalos regulares para recordarle que la cierre.

### Desconexión de la pantalla

A los 30 segundos de usar el frigorífico congelador, la pantalla digital se desconectará hasta que se utilice otra vez.



### 3. Consejos de almacenamiento de alimentos

---

#### Consejos sobre el almacenamiento de alimentos frescos

- Mantenga la temperatura del frigorífico por debajo de 5 °C.
- Fechas de "Consumir preferentemente antes de" y "Caduca el": los alimentos etiquetados con "Caduca el" suelen estropearse rápidamente. Puede resultar peligroso ingerirlos después de la fecha indicada. Los alimentos etiquetados con "Consumir preferentemente antes de" suelen durar más. Si se supera la fecha indicada, quizás puedan ingerirse sin problemas aunque es posible que su calidad no sea la misma.
- Asegúrese de que las comidas cocinadas se enfríen a temperatura ambiente antes de colocarlas en el frigorífico congelador. Cerciórese de colocar dichos alimentos en recipientes adecuados.
- Antes de guardarlos en el frigorífico, los alimentos deben lavarse y secarse.
- Algunos alimentos conviene introducirlos en el frigorífico con el empaquetado original del fabricante. En caso de desempaquetarlos, se recomienda volver a envolverlos para que el agua no se evapore. Determinadas frutas y verduras se conservan más frescas cuando están empaquetadas y se evita la mezcla de olores.
- Se pueden etiquetar los alimentos almacenados e introducirlos en bolsas o recipientes.
- Conviene situar los alimentos que se consumen diariamente en la parte frontal del estante.
- Cerciórese de guardar sistemáticamente los alimentos (carnes crudas con carnes crudas, lácteos con lácteos) para evitar la transferencia de olores y que se contaminen entre sí. Las carnes sin cocinar deben guardarse en la parte inferior del frigorífico para evitar que goteen sobre los alimentos crudos. Los demás alimentos deben quedar por encima de las carnes crudas.
- Cuando guarde alimentos en el compartimento de alimentos frescos, asegúrese de dejar espacio suficiente para que circule el aire. Esto ayuda a la conservación del alimento.
- Cuando introduzca alimentos en el frigorífico, asegúrese de que no estén pegados al fondo para evitar que se congelen.
- Conviene cortar las hojas de los rábanos y de otras verduras de raíz. De esta forma los nutrientes se quedan en la raíz y no los absorben las hojas.
- Los alimentos congelados deben colocarse en la zona de alimentos frescos para su descongelación. La baja temperatura del frigorífico reduce la formación de bacterias y prolonga la duración de los alimentos.
- Determinados alimentos, como cebollas, ajos, plátanos y otras verduras de raíz, se conservan mejor a temperatura ambiente que en el frigorífico.
- Después de preparados, también se pueden guardar en el congelador directamente melones, piñas y plátanos, para conservarlos durante más tiempo.
- Empaquete los alimentos frescos de forma adecuada, empleando la temperatura correcta y siguiendo pautas de higiene alimentaria; de este modo, mejorará la calidad de los alimentos frescos que guarde en este aparato.
- Utilice bolsas de plástico, papel de aluminio u otros envoltorios para envolver los alimentos que vengan sin envasar y evitar así la transferencia de olores y la contaminación.
- Antes de guardar artículos que se venden en packs (como los yogures), elimine cualquier envoltorio innecesario.
- ⚠ JAMÁS guarde artículos inflamables, volátiles o explosivos en el electrodoméstico.
- Las bebidas con un alto contenido en alcohol deben colocarse en vertical, en botellas firmemente selladas.
- Los alimentos delicados deben guardarse en la zona más fría del aparato.
- Procure no abrir la puerta demasiado a menudo.
- Gradúe el termostato para asegurarse de que los alimentos mantienen el frío adecuado; procure evitar que se congelen en el frigorífico. Un termómetro le ayudará a juzgar si la temperatura es lo suficientemente fría. Introdúzcalo en un vaso de agua y déjelo unas horas dentro del aparato para obtener una lectura fiable.
- Determinados alimentos contienen aceites naturales y ácidos (p. ej., ácido cítrico) que pueden dañar el plástico si se derraman. Asegúrese de que estos alimentos estén dentro de un recipiente adecuado.
- Los malos olores en el frigorífico indican que algo se ha estropeado y que es necesario limpiarlo. Con agua templada con bicarbonato sódico podrá limpiar el interior del aparato y eliminar la mayoría de los restos (consulte el apartado "Limpieza y mantenimiento").
- Recuerde siempre sacar del frigorífico los alimentos perecederos antes de ausentarse por mucho tiempo por viajes o vacaciones.

## Consejos de congelación de alimentos

- Al igual que con los alimentos frescos, el empaquetado, la temperatura correcta y una correcta higiene mejorarán la calidad de los alimentos que se congelen.
- Evite colocar alimentos calientes en el congelador. Deje primero que se enfríen a temperatura ambiente.
- Antes de congelarlos, cerciórese de que los alimentos son de buena calidad y admiten la congelación.
- Utilice material de envasado antiolores y hermético (como bolsas de plástico) para los alimentos, de modo que puedan guardarse mezclados sin que su calidad se vea afectada. Compruebe que el cierre es hermético. Si el empaquetado presenta fugas, el producto se deshidratará y perderá vitaminas.
- Mantenga seca la superficie de los paquetes para evitar que se peguen unos a otros.
- Indique en los paquetes cuál es su contenido y la fecha en que los guarda.
- Dado que los alimentos deben congelarse rápidamente, es mejor hacerlo en pequeñas porciones siempre que sea posible y cerciorarse de que están tan fríos como se pueda antes de guardarlos. El peso máximo recomendado para cada porción es de 2,5 kg.
- Mantenga separados los alimentos aún frescos de los que ya han sido congelados; en el caso de tener que congelar a diario, procure que las raciones sean pequeñas para evitar tales mezclas.
- No supere la cantidad máxima recomendada para la congelación, que se estima en 10 kg cada 24 horas (consulte los detalles en la etiqueta de especificaciones).
- Rotule la parte externa del paquete con la fecha de caducidad y el alimento para saber siempre qué tipo de comida contiene y hasta cuando se puede utilizar.
- Saque los alimentos del congelador para descongelarlos cuando sea necesario. Los alimentos descongelados no se deben volver a congelar a menos que se cocinen.
- No introduzca demasiados alimentos frescos en el congelador a la vez, ya que podría superarse la capacidad de enfriamiento del congelador (consulte el apartado "Datos técnicos").
- A la hora de guardar preparados congelados comerciales, siga estas pautas:
  - Tenga siempre en cuenta las directrices del fabricante en lo que se refiere al tiempo de conservación del producto. No supere dicho plazo.
  - Procure que el tiempo que transcurra entre la compra y el almacenamiento sea lo más breve posible para preservar la calidad de los alimentos.
  - Los alimentos congelados que compre deben encontrarse a -18 °C o una temperatura inferior.
  - Evite adquirir alimentos congelados que presenten hielo o escarcha en el paquete, dado que esto indica que el producto puede haberse descongelado parcialmente y vuelto a congelar en algún momento: una subida de temperatura afecta a la calidad de los alimentos.
  - En el caso de que haya un corte de suministro eléctrico o de que el frigorífico congelador deje de funcionar durante más de 5 horas, deberá sacar los alimentos del congelador y guardarlos en otro congelador si es posible o en un lugar frío y limpio (por ejemplo, en el exterior o en el sótano) hasta que se restablezca la corriente o se repare el electrodoméstico. Para evitar subidas de temperatura indebidas, debe guardar los alimentos en un recipiente isotérmico o envolverlos con capas de material aislante, como papel de periódico, para intentar mantener la temperatura. Es importante que cualquier alimento que se descongele se consuma, o bien se cocine y se vuelva a congelar lo más pronto posible para evitar riesgos para la salud.

## 4. Instalación

### Colocación del aparato

#### Elección de la ubicación adecuada

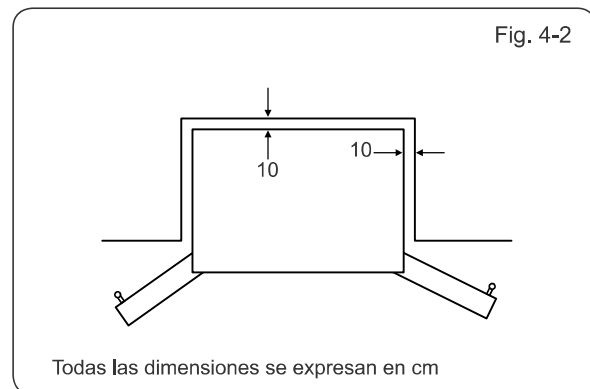
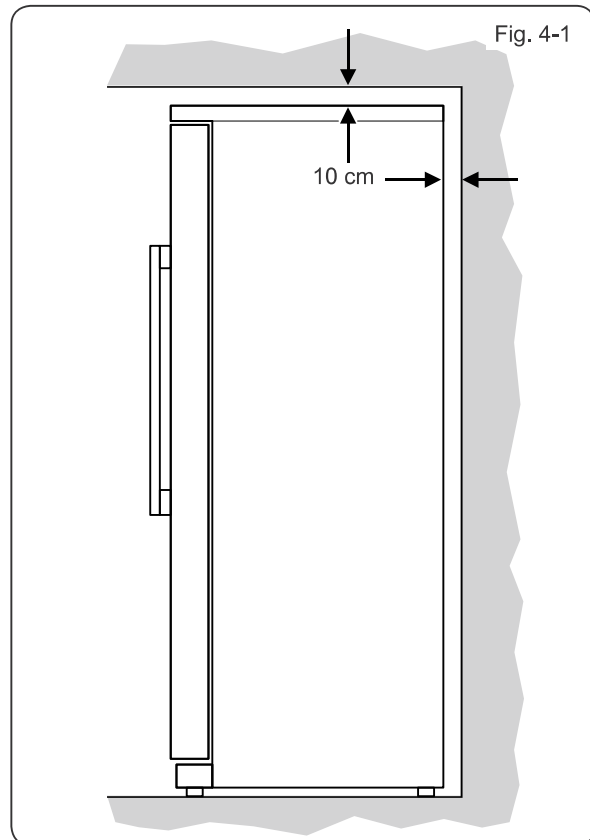
Este electrodoméstico debe instalarse en un recinto seco y bien ventilado. Para proporcionar la ventilación adecuada, cerciórese de que el frigorífico se encuentra al menos a 10 cm del mobiliario de cocina (Fig. 4-1). Cualquier elemento que se sitúe por encima del aparato deberá estar separado 10 cm para que tenga la suficiente ventilación.

Si va a situar el frigorífico cerca de una esquina, debe dejar espacio suficiente para la apertura de las puertas y la extracción de estantes (Fig. 4-2).

El electrodoméstico debe encontrarse separado al menos 100 mm de una cocina eléctrica o de gas y 300 mm de estufas de carbón o aceite. Si no es posible, asegúrese de contar con un aislante adecuado.

Evite la exposición directa del electrodoméstico a los rayos del sol y a fuentes de calor (como radiadores, calderas o cocinas).

Si el aparato se sitúa en un entorno frío (en una cabaña, cobertizo o garaje) su rendimiento se verá afectado. El funcionamiento podría no ser uniforme y dañar los alimentos. Se recomienda una temperatura ambiente constante de 10 °C o superior.



Todas las dimensiones se expresan en cm

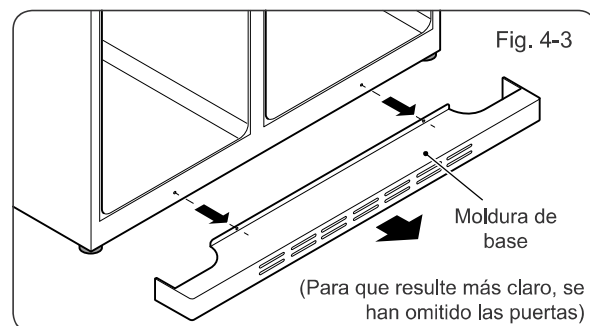


Fig. 4-4

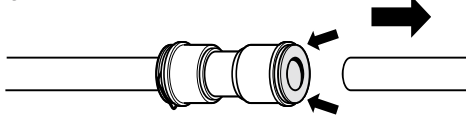


Fig. 4-5

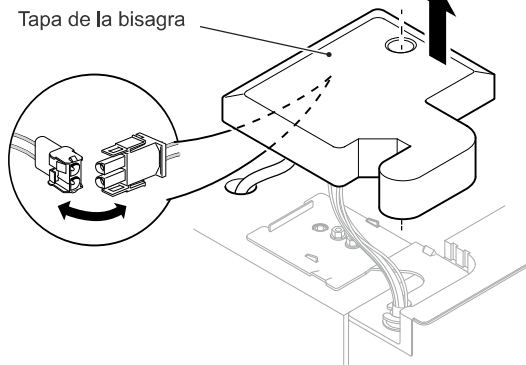


Fig. 4-6

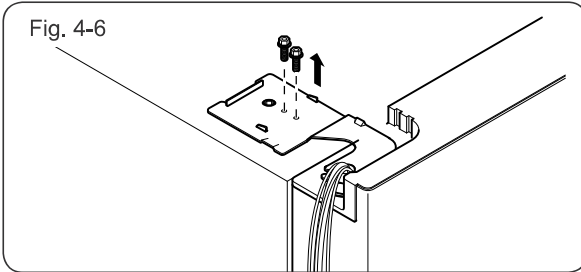


Fig. 4-7

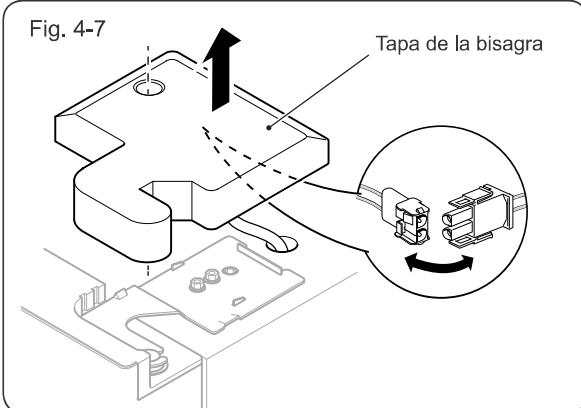
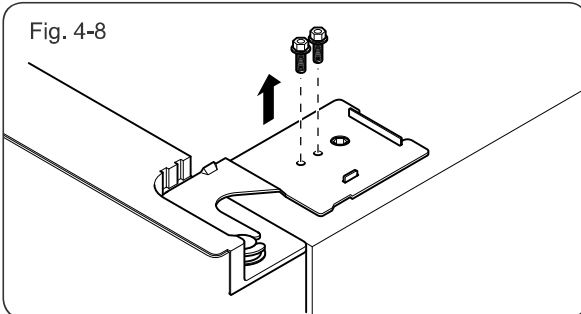


Fig. 4-8



## Retirada e instalación de las puertas

- ⚠ En el caso de que necesite quitar las puertas del frigorífico, siga las instrucciones de retirada e instalación de puertas que se indican a continuación.
- ⚠ Por seguridad, se recomienda contar con la ayuda de al menos dos personas para realizar la tarea siguiente para prevenir lesiones, daños en el producto o pérdidas.

Afloje los dos tornillos de sujeción de la moldura de base y retírelos (Fig. 4-3).

Suelte el conector del agua: mantenga presionado el anillo como se indica (Fig. 4-4) y sepárelo del conducto de agua.

Retire la tapa superior.

### Puerta del congelador

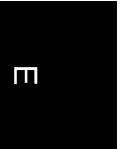
1. Afloje el tornillo de la cubierta de la bisagra y retírela (Fig. 4-5). Desconecte todos los cables a excepción del cable de toma de tierra.
2. Afloje los tornillos que sujetan la bisagra superior y retírela (Fig. 4-6).
3. Levante la puerta del compartimento del congelador para quitarla. A continuación, levante la puerta lo suficiente como para desconectar el conducto del agua de la parte inferior.

### Puerta del frigorífico

1. Afloje los tornillos de la cubierta de la bisagra y retírela (Fig. 4-7). Desconecte todos los cables a excepción del cable de toma de tierra.
2. Afloje los tornillos que sujetan la bisagra superior y retírela (Fig. 4-8).
3. Levante la puerta del compartimento del frigorífico para quitarla.

### Recolocación de puertas

Para volver a colocar las puertas, siga en orden inverso los pasos dados para retirarlas.



## Nivelado del frigorífico congelador y ajuste de las puertas

Asegúrese de colocar el aparato en una superficie nivelada firme. Si el frigorífico se va a situar sobre una tarima, los materiales de esta deben ser planos, resistentes e ignífugos.

El aparato dispone de patas frontales ajustables que se pueden emplear para nivelarlo.

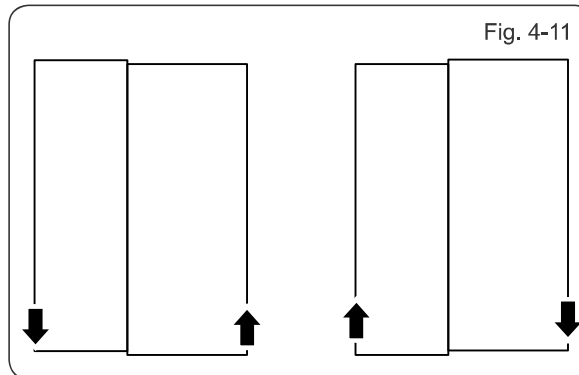
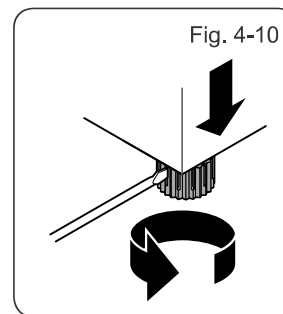
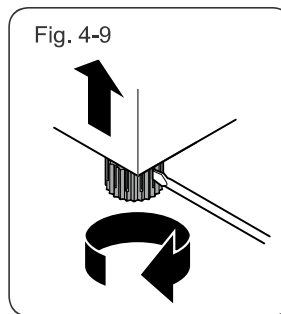
Introduzca un destornillador de punta plana de tamaño adecuado en las ranuras de las patas ajustables. Gire el destornillador en el sentido de las agujas del reloj para subir las patas (Fig. 4-9) y en el contrario para bajarlas (Fig. 4-10).

### Nivelado de puertas

Es posible que las puertas precisen cierta alineación antes de conectar el frigorífico congelador a la toma de corriente. Para hacerlo, basta con ajustar las patas niveladoras (Fig. 4-9 y Fig. 4-10).

Para levantar la puerta izquierda, gire la pata izquierda en el sentido de las agujas del reloj hasta nivelarla (Fig. 4-11).

Para levantar la puerta derecha, gire la pata derecha en el sentido de las agujas del reloj hasta nivelarla.



### Ajuste de asas

Las manetas de las puertas se fijan en los montantes ya montados en cada puerta (Fig. 4-12).

Utilice la llave Allen de la bolsa del kit de instrucciones

1. Instale la maneta firmemente sobre los pernos de montaje.
2. Con la llave Allen, apriete el tornillo de fijación que fija la maneta en la puerta.

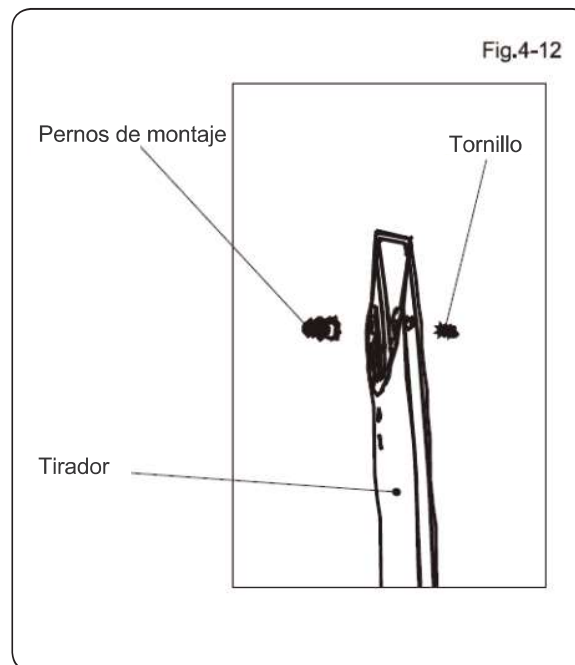
No apriete excesivamente el tornillo.

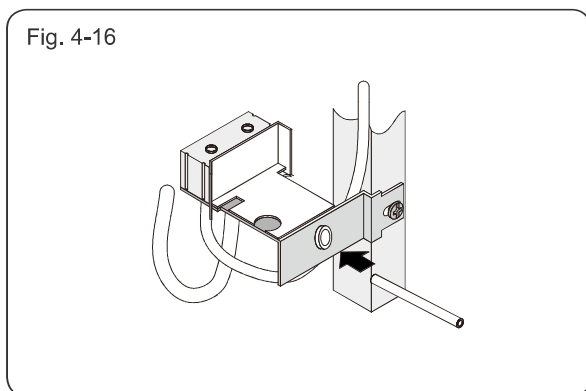
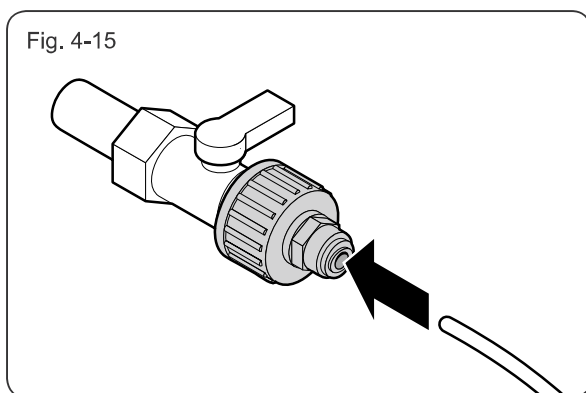
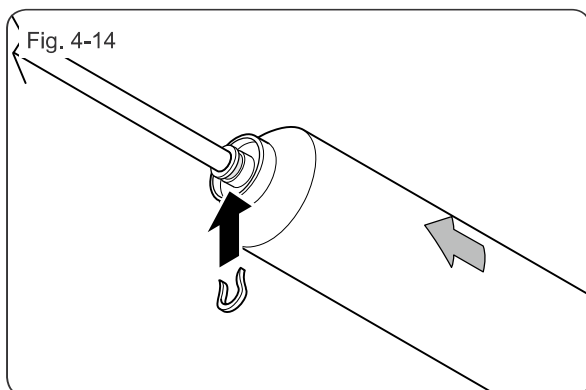
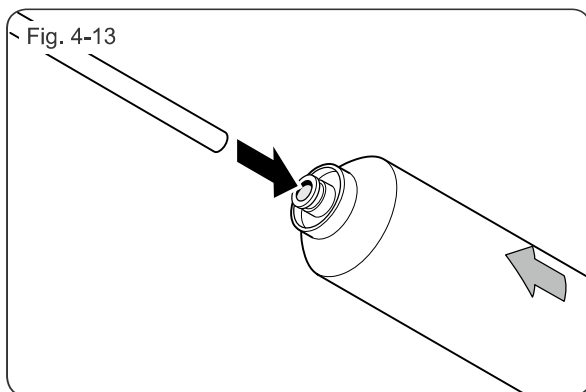
### Conexión a la toma de corriente

Conecte el aparato a la toma de corriente (220-240 V ~ 50 Hz) con el enchufe y el cable incorporados.

La conexión a la toma de corriente debe cumplir la normativa local.

- ⚠ El electrodoméstico debe conectarse a una toma con tierra.
- ⚠ Después de colocar el frigorífico, asegúrese de que se puede acceder al enchufe.





## Conexión a la toma de agua

▲ Se recomienda que este producto sea instalado por un técnico cualificado.

Nota: consulte las instrucciones que se proporcionan con el filtro del agua para obtener más información.

- La presión de agua fría suministrada a la máquina de hielo automática debe ser de entre 0,15 y 0,6 Mpa.
- El conducto de agua debe tener una longitud adecuada, habitualmente 8 metros, y una vez colocado no debe presentar dobleces. Si el conducto de agua es demasiado largo, la presión se reducirá, lo que afectará al volumen de agua fría y hielo.
- NO conecte la toma de agua si la temperatura ambiente está por debajo de 0 °C; de lo contrario, podría congelarse el conducto.
- La conexión debe efectuarse a una toma de agua potable.
- Mantenga el conducto de agua alejado de fuentes de calor.
- El filtro de agua tiene como objeto filtrar las impurezas del agua y conseguir un hielo limpio e higiénico. No puede esterilizar ni descontaminar, de modo que debe asegurarse de conectar el conducto de agua a una toma de agua corriente potable.
- El sistema de agua es automático. No agregue agua manualmente.
- Aunque la máquina de hielo esté encendida, no funcionará si el aparato no está conectado a la toma de agua.

## Colocación del filtro de agua

Mida la longitud necesaria desde el filtro al frigorífico congelador y desde el filtro a la toma de agua y corte el conducto. Asegúrese de que el corte sea recto y utilice una hoja bien afilada.

Introduzca uno de los conductos a presión en el filtro de agua (Fig. 4-13).

Fije el conducto al filtro colocando un clip de sujeción en la ranura como indica la imagen (Fig. 4-14).

Repita el procedimiento en el otro extremo del filtro.

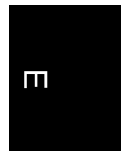
Conecte el extremo del conducto al adaptador de plástico (Fig. 4-15). Enrosque el adaptador en una toma de agua adecuada para el conector BSP de 1/2".

Acceda al conjunto de válvula de agua de la parte posterior del frigorífico. Introduzca el conducto en el conjunto de válvula (Fig. 4-16).

Abra la válvula de agua para enjuagar el conducto, compruebe si hay alguna fuga en las uniones del conducto y deje que el agua corra hasta que salga limpia.

## Puesta en funcionamiento del dispensador de agua

Antes de utilizarlo por primera vez, accione el mecanismo del dispensador de agua varias veces durante un minuto. No presione más de un minuto para evitar el sobrecalentamiento del solenoide activador del mecanismo. Por la salida comenzará a fluir agua fría.



## 5. Limpieza y mantenimiento

---

### Desescarchado

El desescarchado es automático; por tanto, no es necesario desescarchar manualmente este aparato.

- ⚠ NO utilice dispositivos mecánicos para acelerar el proceso de desescarchado.

### Limpieza

- ⚠ Desconecte el aparato de la toma de corriente antes de limpiarlo.

Para que los olores internos sean mínimos, se recomienda limpiar periódicamente los estantes, cajones, depósitos y paredes internos.

Vacíe el electrodoméstico y quite los estantes.

Limpie el interior con un paño caliente y agua templada con bicarbonato sódico. Seque después concienzuda y cuidadosamente el interior con una bayeta adecuada.

- ⚠ NO emplee productos abrasivos o agresivos, ya que podría dañarse el interior del aparato.

Los estantes y demás accesorios (elementos de plástico y cristal) se pueden lavar en el fregadero con lavavajillas líquido y agua templada. Asegúrese de enjuagar y secar bien todos los elementos antes de volver a colocarlos en el electrodoméstico.

Mantenga siempre limpias las juntas de la puerta.

- ⚠ El frigorífico es pesado. Cuando vaya a moverlo, tenga cuidado para proteger el suelo. Manténgalo en vertical y no lo incline (esto evita estropear el suelo).
- ⚠ NO pulverice ni aclare el frigorífico con agua ni otros líquidos. Podría dañar las piezas eléctricas.
- ⚠ Utilice un paño seco para limpiar las zonas cercanas a piezas eléctricas (como la luz o el interruptor).
- ⚠ NO utilice cepillos de raíces o metálicos para limpiar el frigorífico.
- ⚠ NO emplee ningún disolvente orgánico como detergente, petróleo, laca, diluyente, acetona o ácido.
- ⚠ Para evitar que la piel se pegue a las partes de acero frías, asegúrese de tener las manos secas cuando toque estos elementos.
- ⚠ NO emplee agua CALIENTE para limpiar los estantes de cristal, pues se pueden romper o agrietar.
- ⚠ Después de instalar un filtro de agua nuevo, deseche todo el hielo que se produzca durante las primeras 24 horas.

### Cortes en el suministro eléctrico

En el caso de que se produzca un corte en el suministro eléctrico, los alimentos permanecerán fríos sin peligro de estropearse durante unas 5 horas.

En el caso de que el corte se prolongue más, deberá sacar la comida del congelador y guardarla en un lugar frío, envuelta en capas de papel de periódico, para mantenerla a una temperatura adecuada.

Una vez que se restablezca el suministro, coloque de nuevo los alimentos en el compartimento del congelador.

En el caso de que se empiecen a descongelar o de que el corte de suministro se prolongue más de lo esperado, se recomienda consumir los alimentos extraídos del congelador.

Si el corte de suministro no dura mucho, la mayoría de los alimentos se pueden dejar dentro del compartimento del congelador (que es el mejor modo de conservar la temperatura) rodeados de los cubitos que haya en el depósito de hielo. Esta solución es ideal para los cortes de suministro de los que se tenga conocimiento previo.

Cuando se produzca cualquier corte de corriente, no introduzca más alimentos en el congelador.

### Cuando no se utilice

Si no va a usar el aparato durante un prolongado periodo de tiempo, se recomienda desconectar la corriente, vaciarlo de alimentos, limpiar su interior y dejar la puerta ligeramente abierta. Así ahorrará energía y evitará la formación de olores rancios en el interior.

### Filtro de agua

Para mantener la calidad del agua, es necesario sustituir de vez en cuando el filtro. Se recomienda cambiar el filtro del agua cada 6 meses. No obstante, si la calidad del agua presenta síntomas de deterioro, por su aspecto o gusto, habrá de sustituir el filtro antes.

## 6. Solución de problemas

Antes de llamar al servicio técnico, consulte esta tabla, ya que podría ahorrar tiempo y dinero.

Problema	Origen	Solución
<b>La temperatura está demasiado baja</b>		
1.1 La temperatura del congelador es demasiado baja, mientras que la de los alimentos frescos está bien.	1.1.1 Se ha establecido una temperatura muy baja para el compartimento del congelador.	1.1.1.1 Establezca una temperatura ligeramente superior para el congelador y espere 24 horas para notar los efectos.
1.2 La temperatura del compartimento para alimentos frescos es demasiado baja; la temperatura del congelador está bien.	1.2.1 Se ha establecido una temperatura demasiado baja para la zona de alimentos frescos.	1.2.1.1 Establezca una temperatura ligeramente superior para la zona de los alimentos frescos. Al cabo de las 24 horas, se equilibrará la temperatura.
1.3 En todas las zonas del frigorífico se congelan los alimentos.	1.3.1 Se ha establecido un ajuste de control muy bajo en la zona de alimentos frescos.	1.3.1.1 Establezca un ajuste de control ligeramente superior para los alimentos frescos. Al cabo de 24 horas, la temperatura se equilibrará en el punto de temperatura establecido.
1.4 Los alimentos del cajón se congelan.	1.4.1 La temperatura establecida para el compartimento de alimentos frescos es demasiado baja.	1.4.1.1 Aumente el ajuste de control de los alimentos frescos a una temperatura ligeramente superior y disminuya el ajuste de control de humedad para evitar la formación de escarcha o hielo.
1.5 La pantalla del dispensador muestra códigos de error.	1.5.1 Se ha producido un problema de funcionamiento electrónico.	1.5.1.1 Póngase en contacto con un técnico de servicio que diagnostique el problema y lo solucione.
<b>La temperatura es demasiado alta</b>		
2.1 La temperatura de las zonas de los cajones del congelador o del compartimento de alimentos frescos es demasiado elevada.	2.1.1 Las puertas se abren con mucha frecuencia o durante mucho rato.	2.1.1.1 Procure reducir la frecuencia de apertura de las puertas.
	2.1.2 Las puertas se han quedado abiertas.	2.1.2.1 Preste atención a las juntas para asegurarse de que se cierran correctamente en todo el perímetro de las puertas. Mantenga las juntas limpias y sin restos de suciedad.
2.2 La temperatura del congelador es demasiado alta, aunque está bien en la sección de alimentos frescos.	2.2.1 Se ha establecido una temperatura demasiado elevada para el congelador.	2.2.1.1 Establezca una temperatura más fría para la sección del congelador. Transcurridas 24 horas, la nueva temperatura se equilibrará en ese valor más bajo.
2.3 La temperatura en la zona de alimentos frescos es demasiado alta, aunque está bien en el congelador.	2.3.1 Se ha establecido una temperatura demasiado elevada para la sección de alimentos frescos.	2.3.1.1 Establezca la temperatura de control en un valor ligeramente inferior. Al cabo de 24 horas se podrá haber alcanzado la nueva temperatura más fría.
2.4 La temperatura de dentro del cajón es demasiado alta.	2.4.1 Se ha establecido una temperatura demasiado elevada para los alimentos frescos.	2.4.1.1 Ajuste una temperatura más fría para los alimentos frescos, la cual se equilibrará al cabo de 24 horas
<b>Agua, humedad o escarcha/hielo en el frigorífico</b>		
3.1 Se condensa humedad dentro del frigorífico.	3.1.1 El entorno es húmedo o cálido.	3.1.1.1 Pruebe a subir ligeramente la temperatura del compartimento afectado.
	3.1.2 La puerta se ha quedado abierta.	3.1.2.1 Cerciórese de que las juntas de la puerta están limpias y se ajustan bien al marco metálico de la estructura.
	3.1.3 Se abre con mucha frecuencia o durante mucho tiempo la puerta o el cajón.	3.1.3.1 Reduzca la frecuencia de apertura de las puertas.
	3.1.4 Se han dejado abiertos recipientes alimenticios o líquidos.	3.1.4.1 Deje enfriar los alimentos a temperatura ambiente y tape alimentos y líquidos.
3.2 En las áreas de los cajones de alimentos frescos se condensan gotas de agua.	3.2.1 La humedad se ha establecido en un valor demasiado alto.	3.2.1.1 Es normal que dentro del cajón cerrado haya aire húmedo. Para reducir la acumulación de condensación, disminuya el valor de humedad o suba la temperatura del compartimento de alimentos frescos.

Problema	Origen	Solución
3.3 Se condensa agua por debajo del cristal del cajón.	3.3.1 Hay alimentos húmedos que provocan la condensación. 3.3.2 Las juntas de la puerta tienen alguna fuga o se abre mucho la puerta en un entorno húmedo.	3.3.1.1 Antes de colocarlos en el frigorífico, elimine el exceso de humedad de los alimentos con un trapo seco. 3.3.2.1 Verifique el estado de las juntas y procure abrir las puertas con menos frecuencia. Puede haber subido la temperatura de los alimentos frescos.
La parte externa del frigorífico presenta agua, humedad o escarcha		
4.1 El aire húmedo forma gotas de agua en los bordes externos del frigorífico.	4.1.1 El aire húmedo y caliente del entorno se mezcla con el aire más fresco en la zona de las juntas de las puertas de los compartimentos de alimentos frescos y del congelador y provoca condensación.	4.1.1.1 Es normal que haya un poco de humedad. Para mejorar el rendimiento, se recomienda secarlo con un trapo seco. 4.1.1.2 Un ligero aumento de la temperatura del compartimento puede reducir la condensación. 4.1.1.3 Compruebe que las juntas de la puerta funcionan correctamente y están limpias.
Máquina de hielo automática		
5.1 La máquina de hielo no funciona correctamente.	5.1.1 Los cubitos se pegan entre sí. 5.1.2 Si se guardan durante mucho tiempo, los cubitos de hielo pueden acabar pegándose unos a otros.	5.1.1.1 Extraiga el bloque de cubitos, golpéelo y devuelva al contenedor solo los que se hayan desprendido del bloque. 5.1.2.1 Vea la solución 5.1.1.1 anterior.
5.2 Los cubitos de hielo son demasiado grandes o demasiado pequeños.	5.2.1 El suministro de agua para la máquina de hielo no está bien ajustado.	5.2.1.1 Ajuste el suministro de agua para la máquina de hielo.
Dispensador de agua fría y hielo		
6.1 No dispensa agua fría.	6.1.1 La puerta del congelador o del frigorífico no está completamente cerrada. El suministro de agua del conducto no está abierto. 6.1.2 El filtro de agua está bloqueado 6.1.3 El conducto de agua está bloqueado.	6.1.1.1 Cierre todas las puertas del aparato. Abra por completo la línea de suministro de agua. 6.1.2.1 Sustituya el filtro de agua. 6.1.3.1 Compruebe que los conductos del agua no están retorcidos u obturados.
6.2 El olor del agua es extraño.	6.2.1 El agua ha permanecido almacenada sin usarse durante mucho tiempo. 6.2.2 La causa puede encontrarse en el suministro de agua potable local.	6.2.1.1 Extraiga alrededor de siete vasos de agua y tírelos. Compruebe si el olor desaparece. 6.2.1.2 Póngase en contacto con la empresa de suministro de agua local para comprobar la calidad del agua.
6.3 No dispensa hielo.	6.3.1 La puerta del congelador o del frigorífico no están totalmente cerradas. 6.3.2 No quedan cubitos en el contenedor 6.3.3 Se ha establecido una temperatura demasiado alta para el congelador.	6.3.1.1 Cierre todas las puertas del aparato. 6.3.2.1 Espere a que se formen cubitos de hielo. 6.3.3.1 Disminuya la temperatura del congelador para mejorar el rendimiento de la máquina de hielo.
6.4 El dispensador está atascado	6.4.1 El agua generada durante el desescarchado se ha congelado en el eje. 6.4.2 Los cubitos de hielo se han atascado entre la máquina de hielo y el contenedor. 6.4.3 Los cubitos de hielo se pegan unos a otros. 6.4.4 Se han colocado otros cubitos de hielo en el dispensador.	6.4.1.1 Extraiga el contenedor. Limpie y seque el eje. Vuelva a colocar el contenedor. 6.4.2.1 Retire los cubitos que haya entre la máquina de hielo y el contenedor. 6.4.3.1 Extraiga el bloque de cubitos, golpéelo y devuelva al contenedor solo los que se hayan desprendido del bloque. 6.4.4.1 Para el dispensador solo se pueden utilizar los cubitos fabricados por la máquina de hielo.

Problema	Origen	Solución
El frigorífico huele mal		
7.1 El interior del frigorífico está sucio.	7.1.1 Es necesario limpiar las paredes, estantes y soportes de puerta del frigorífico	7.1.1.1 Limpie todas las superficies internas con agua templada y un paño suave y limpio, y séquelas después.
	7.1.2 Algún alimento guardado en el frigorífico se ha estropeado.	7.1.2.1 Para que los alimentos duren más, envuélvalos o tápelos.
Cuesta abrir o cerrar la puerta		
8.1 Hay un problema con el cierre de la puerta.	8.1.1 Puede que algún alimento o paquete esté obstruyendo el cierre.	8.1.1.1 Recoloque los estantes, soportes de puerta o contenedores internos de modo que la puerta se pueda cerrar.
	8.1.2 El frigorífico está desnivelado y hace que la puerta se desplace.	8.1.2.1 Cerciórese de que el suelo esté nivelado sobre materiales resistentes ignífugos.
	8.1.3 Quizás la puerta golpee los armarios o electrodomésticos adyacentes.	8.1.3.1 Deje un espacio libre amplio de 25 mm (1") en los tres laterales y en la parte superior de la estructura para que las puertas se puedan abrir y cerrar libremente.
General		
9.1 El compresor no funciona.	9.1.1 El frigorífico está en el proceso ultracongelación	9.1.1.1 Es un comportamiento normal de los frigoríficos que pasan a la ultracongelación automáticamente. El periodo de ultracongelación dura unos 30 minutos.
	9.1.2 El frigorífico no recibe corriente.	9.1.2.1 Compruebe que el enchufe está bien conectado a la toma de corriente.
		9.1.2.2 Ha saltado el disyuntor? Reviselo, sustituya el fusible de 13 A por uno nuevo o restablezca el disyuntor.
9.1.2.3 Compruebe el suministro eléctrico del recinto. Llame a la empresa eléctrica local.		
9.2 El frigorífico se pone en funcionamiento frecuentemente o durante mucho tiempo.	9.2.1 La temperatura ambiente o del recinto es elevada.	9.2.1.1 Es normal que el frigorífico esté siempre en marcha.
	9.2.2 Está funcionando la máquina de hielo.	9.2.2.1 Es normal: la máquina del hielo supone una carga de trabajo extra para el frigorífico.
	9.2.3 Las puertas se abren y cierran con frecuencia.	9.2.3.1 Procure reducir la frecuencia con que se abren las puertas o cajones.
	9.2.4 La configuración de control de los compartimentos del congelador y de los alimentos frescos se ha establecido en una temperatura baja.	9.2.4.1 Eleve ligeramente las temperaturas de los compartimentos; al cabo de 24 horas se equilibrarán.
	9.2.5 Puede que las juntas de las puertas estén sucias, desgastadas o cuarteadas.	9.2.5.1 Limpie las juntas o caliéntelas ligeramente con un secador de pelo para que se adapten al contorno del marco de metal.
9.3 El compresor se activa y desactiva con frecuencia.	9.3.1 Los sensores de temperatura de los compartimentos hacen que el frigorífico se mantenga en los puntos establecidos, lo que provoca los ciclos del compresor.	9.3.1.1 Es normal. El compresor del frigorífico proporcionará el nivel de frío requerido.
10.1 La luz no se enciende.	10.1.1 Hay partículas de comida o suciedad que bloquean el interruptor de la luz	10.1.1.1 Desconecte el cable de corriente. Busque el interruptor de la luz en la pared interna de la zona de alimentos y acciónelo varias veces para intentar que se suelten los restos.
	10.1.2 El frigorífico no recibe suministro eléctrico.	10.1.2.1 Cerciórese de que el enchufe está bien introducido en la toma de corriente.
11.1 Se oye un pitido que proviene del frigorífico o del congelador.	11.1.1 Se ha quedado abierta una puerta durante más de 60 segundos.	11.1.1.1 Es algo normal. El pitido se repetirá cada minuto hasta que se cierre la puerta.



## 7. Datos técnicos

---

### Especificaciones

Modelo	HRF-628A*6/HRF-628I*6
Voltaje/frecuencia	220-240 V 50 Hz
Clasificación de eficiencia energética	A+
Clase climática	SN-N-ST
Clasificación de estrellas del compartimento del congelador	*/***
Refrigerante	R600a 80 g
Capacidad bruta	610 litros
Capacidad neta	550 litros
Capacidad neta del compartimento del frigorífico	375 litros
Capacidad neta del compartimento del congelador	175 litros
Capacidad de congelación al día	10 kg/24 horas
Consumo energético anual	420 kW·h/año
Consumo de energía (EN153)	1,15kW·h/24h
Nivel máximo de ruido	42 dB(A)
Tiempo de almacenamiento máximo en caso de corte del suministro eléctrico	5 horas
Capacidad de fabricación de hielo	1 kg/24 h

Modelo	HRF-630A*7/HRF-630I*7
Voltaje/frecuencia	220-240 V 50 Hz
Clasificación de eficiencia energética	A++
Clase climática	SN-N-ST-T
Clasificación de estrellas del compartimento del congelador	*/***
Refrigerante	R600a 80 g
Capacidad bruta	610 litros
Capacidad neta	550 litros
Capacidad neta del compartimento del frigorífico	375 litros
Capacidad neta del compartimento del congelador	175 litros
Capacidad de congelación al día	10 kg/24 horas
Consumo energético anual	355 kW·h/año
Consumo de energía (EN153)	0.97 kW·h/24 h
Nivel máximo de ruido	42 dB(A)
Tiempo de almacenamiento máximo en caso de corte del suministro eléctrico	5 horas
Capacidad de fabricación de hielo	1 kg/24 h

---

## Voordat u het apparaat de eerste keer gebruikt

Beoogd gebruik: dit apparaat is slechts bedoeld om binnenshuis en in een droge omgeving te worden gebruikt. Elk ander gebruik kan leiden tot letsel waarvoor de fabrikant niet aansprakelijk is.

### Wat u moet doen...

Zorg ervoor dat het netsnoer en de stekker niet vast komen te zitten onder de koelkast.

Haal de stekker uit het stopcontact door aan de stekker zelf en niet aan de kabel te trekken.

Zorg ervoor dat u, tijdens het verplaatsen van de koelkast, hier niet mee over het netsnoer rolt. Zorg ervoor dat de stekker niet wordt beschadigd. Als dit wel gebeurt, schakelt u de stroom uit en neemt u de stekker voorzichtig uit het stopcontact. Neem vervolgens contact op met een geautoriseerde onderhoudstechnicus om de stekker te laten vervangen.

Zorg ervoor dat er geen (ontvlambare) gassen lekken in de buurt van de koelkast. Als dit wel gebeurt, draait u de kraan waaruit het gas lekt dicht, opent u deuren en vensters en steekt u de stekker van de koelkast of van andere apparaten niet in het stopcontact en haalt u deze er ook niet uit.

Haal de stekker van de koelkast uit het stopcontact in het geval van onderhoud of bij vervanging van de lamp.

Maak gebruik van de handvatten voor het openen van de deuren. De opening tussen de deuren kan heel smal zijn; let op dat uw vingers niet vast komen te zitten.

Wacht minimaal 5 minuten nadat u de stekker van de koelkast uit het stopcontact hebt verwijderd voordat u het apparaat opnieuw inschakelt. Bij vaak herhaaldelijk starten kan de compressor beschadigd raken

Zorg ervoor dat de ventilatieopeningen vrij van obstakels blijven. Als de koelkast niet meer wordt gebruikt, dient u de deuren, afdichtingen en planken te verwijderen, zodat kinderen niet vast komen te zitten. Bewaar deze onderdelen op een geschikte plaats.

De koelkast moet worden geplaatst op een goed geventileerde locatie, niet te ver van een bron van drinkwater.

Zorg voor een ruimte van minstens 20 cm boven en 10 cm rondom de koelkast.

Het apparaat moet zo worden geplaatst dat de stekker toegankelijk is.

### Wat u niet moet doen...

De koelkast werkt op een elektriciteitstoevoer van 220-240 V AC, 50 Hz. Als de koelkast wordt aangesloten op een onjuist voltage, kunnen schommelingen in de spanning tot gevolg hebben dat de koelkast niet start, dat de temperatuurregelaar of compressor beschadigd raakt of dat de koelkast abnormaal veel geluid maakt terwijl de compressor in gebruik is. In dit geval moet er een automatische regulator worden geïnstalleerd.

De koelkast moet worden aangesloten op een apart stopcontact met een betrouwbare aarding. Het netsnoer van de koelkast is uitgerust met een geaarde stekker die in een standaard geaard stopcontact past. De aarding van het netsnoer mag onder geen beding worden verwijderd. Wanneer de koelkast is geplaatst, dient het netsnoer toegankelijk te zijn.

Bewaar nooit ontvlambare, explosieve of corrosieve materialen in de koelkast.

Bewaar geen medicijnen, bacteriën of chemische stoffen in de koelkast. Deze koelkast is een huishoudelijk apparaat. Het wordt niet aanbevolen om materialen op te slaan waarvoor een nauwlettende temperatuurbewaking is vereist.

Bewaar en gebruik geen benzine of andere ontvlambare stoffen in de buurt van de koelkast om brand te voorkomen.

Plaats geen instabiele voorwerpen (zware voorwerpen, bakken met vloeistof) boven op het apparaat, om persoonlijk letsel door vallen of elektrische schokken als gevolg van contact met water te voorkomen.

Hang niet aan de deur of de flessenhouders in de deur. Mogelijk breekt de deur af, vallen de flessenhouders naar beneden of kantelt de koelkast.

Ga niet op de deur van het vriezergedeelte, de planken of de kast staan bij het plaatsten of verwijderen van etenswaren.

Raak het binnenoppervlak van het bewaarcompartiment van de vriezer niet aan wanneer deze in gebruik is. Dit is vooral belangrijk wanneer uw handen nat zijn en aan het oppervlak kunnen vastvriezen.

Reinig de koelkast niet door met water te spuiten of te spoelen zodat de elektrische isolatie van de koelkast intact blijft. Plaats de koelkast niet op een vochtige plaats of waar de koelkast kan worden bespat met water. Verwijder en droog waterspatten en vlekken met een zachte droge doek.

Demontage en aanpassing van de koelkast moet eerst worden geautoriseerd. Bij plotselinge of grove bewegingen van de koelkast kunnen de koelleidingen beschadigd raken. Dit kan schade of letsel tot gevolg hebben.

Reparatie van de koelkast moet worden uitgevoerd door bevoegd personeel.

Bewaar geen flessen bier of andere dranken in de vriezer aangezien deze kunnen barsten tijdens het bevriezen.

Plaats de koelkast niet in direct zonlicht of op een plaats waar deze wordt blootgesteld aan warmte van fornuizen, kachels of andere apparaten.

Laat de deuren van de koelkast niet open staan zonder dat er een volwassene aanwezig is; laat kinderen niet de koelkast in gaan.

Laat kinderen niet in de vrieslade klimmen.

Gebruik alleen elektrische apparaten binnen de koelkast die door de fabrikant zijn goedgekeurd.

Beschadig het koelmiddelcircuit niet.

Gebruik geen haardroger om de koelkast van binnen te drogen.

Plaats geen brandende kaarsjes in de koelkast om geurtjes te verwijderen.

Spuit geen licht ontvlambare stoffen zoals insecticide op oppervlakten in het apparaat.

Open en sluit de deur van de koelkast alleen als er geen kinderen binnen het bereik van de beweging van de deur zijn.

Dit apparaat is niet bedoeld voor gebruik door personen (waaronder kinderen) met lichamelijke, zintuiglijke of geestelijke beperkingen, of voor personen die niet beschikken over kennis of ervaring, tenzij zij onder supervisie staan van een persoon die voor hun veiligheid verantwoordelijk is of van een dergelijk persoon instructies hebben gekregen over het gebruik van het apparaat.

Bewaar niet te veel voedsel in het vriesgedeelte, om te voorkomen dat de compressor te lang werkt of dat het voedsel valt.

Het wordt aanbevolen de capaciteitlijn van de laden niet te overschrijden.

Het totale gewicht van het voedsel mag niet meer zijn dan 30 kg. Trek de vriezerlade niet te hard of onder een hoek open, zodat er geen voedsel op de grond valt.

Gebruik geen mechanische apparaten of andere middelen om het ontdooien te versnellen, tenzij ze door de fabrikant zijn aanbevolen.

Als er problemen optreden met de lamp in de koelkast, neem dan contact op met onze klantenservice voor hulp. Gebruikers kunnen lampen niet zelf vervangen.



# Inhoudsopgave

---

<b>1. Voordat u begint</b>	<b>1</b>	<b>4. Installatie</b>	<b>15</b>
Veiligheid	1	Uw apparaat plaatsen	15
Informatie over het koelmiddelgas	2	De deuren installeren en verwijderen	16
Zorg voor het milieu	2	De koelvriescombinatie waterpas zetten en de deuren aanpassen	17
<b>2. Uw koelvriescombinatie</b>	<b>3</b>	De deuren verstellen	17
Het gedeelte voor vers voedsel	5	De deurhendel monteren	17
De vriesruimte	6	Aansluiting op het lichtnet	17
De ijsmaker/waterkraan	7	Aansluiting op de waterleiding	18
Huisbar	7	<b>5. Schoonmaken en onderhoud</b>	<b>19</b>
Werking van de koelvriescombinatie	9	IJs verwijderen	19
De waterkraan en de ijsmaker bedienen	12	Reinigen	19
Veiligheid	12	De koelkast uitzetten	19
Automatisch ontdooien	12	Indien niet in gebruik	19
Alarmfunctie	12	Waterfilter	19
De weergave uitschakelen	12	<b>6. Problemen oplossen</b>	<b>20</b>
<b>3. Tips voor het bewaren van voedsel</b>	<b>13</b>	<b>7. Technische gegevens</b>	<b>23</b>
Tips voor het bewaren van vers voedsel	13		
Tips voor het invriezen van voedsel	14		

- Lees de handleiding voordat u begint.
- Bewaar de handleiding op een veilige plaats.
- Houd de ventilatieopeningen in de behuizing van de koelkast en binnen in de koelkast vrij van obstakels.
- Gebruik geen mechanische apparaten of andere middelen om het ontdooien te versnellen, tenzij ze door de fabrikant zijn aanbevolen.
- Beschadig het koelmiddelcircuit niet.
- Gebruik alleen elektrische apparaten binnen de koelkast die door de fabrikant zijn goedgekeurd.
- Omdat wij voortdurend verbeteringen aan onze producten aanbrenge, behouden wij ons het recht voor om zonder voorafgaande kennisgeving specificaties te wijzigen.



# 1. Voordat u begint

---

Dank u voor uw aanschaf van deze koelvriescombinatie. Wij hopen dat deze stijlvolle koelvriescombinatie volledig aan uw verwachtingen zal voldoen. Lees deze handleiding voordat u uw nieuwe koelvriescombinatie gaat gebruiken. Bewaar deze handleiding goed en geef hem door aan een eventuele nieuwe eigenaar. Wij hopen dat deze handleiding u alle benodigde informatie biedt. Neem contact met ons op wanneer er iets niet duidelijk is (de gegevens van de klantenservice vindt u in het gedeelte Garantie).

- ▲ **WAARSCHUWING** Deze koelkast moet op een geaard stopcontact worden aangesloten.
- ▲ Laat de koelkast ten minste zes uur staan. Hierdoor heeft het koelsysteem de tijd om te stabiliseren na het vervoer.
- ▲ Deze koelkast moet altijd worden geïnstalleerd door bevoegd personeel.
- ▲ De vriesruimte is beoordeeld met vier sterren.
- ▲ Deze koelkast is uitsluitend bestemd voor huishoudelijk gebruik. Indien u de kast voor een ander doeleinde gebruikt, kunnen garantie en aansprakelijkheid vervallen.
- Maak de binnenkant van de koelkast schoon met warm water en natriumbicarbonaat/soda en droog goed voordat u de stekker in het stopcontact steekt.
- Controleer de koelkast op eventuele beschadigingen, met name de onderdelen van het koelsysteem, leidingen en kabels. Sluit de koelvriescombinatie niet aan indien die is beschadigd. Neem in dat geval contact op met een gekwalificeerde servicemonteur of met de klantenservice.
- Wanneer de accessoires aan de binnenkant van de koelkast tijdens het transport van hun plaats zijn geraakt, kunt u deze aan de hand van de instructies weer op de juiste plaats aanbrengen.
- Zorg ervoor dat het wattage van het stopcontact overeenkomt met het wattage van de koelkast. Zie hiervoor het gegevenslabel van de koelkast. Het gegevenslabel bevindt zich aan de binnenkant van de koelkast (bovenkant van het koelgedeelte).
- Nadat de koelvriescombinatie is geïnstalleerd, gereinigd en gedroogd en vervolgens ten minste zes uur heeft gestaan, kan de koelkast worden aangesloten en ingeschakeld.

## Veiligheid

- ▲ **WAARSCHUWING** Gebruik alleen drinkwater voor deze koelkast.
- ▲ **WAARSCHUWING** Houd de koelkast uit de buurt van eventuele obstakels.
- ▲ Beschadig het koelmiddelcircuit niet. Gebruik de koelvriescombinatie niet wanneer het koelmiddelcircuit is beschadigd.

- ▲ **WAARSCHUWING** Gebruik geen mechanische apparaten (zoals een föhn) om de koelkast te ontdoien.
- ▲ **WAARSCHUWING** De water- en ijsleidingen moeten voor gebruik worden doorgespoeld. Raadpleeg de paragraaf over de ijsmaker en waterkraan in deze handleiding.
- Zorg ervoor dat u afsluitmechanismen uitschakelt wanneer u een oude koelkast vervangt. U kunt het beste de deur van de koelkast volledig verwijderen om te voorkomen dat kinderen zichzelf opsluiten in de koelkast.
- De koelvriescombinatie moet veilig op de stroomvoeding worden aangesloten. Losse verbindingen, kapotte stekkers en blootliggende kabels zijn een veiligheidsrisico. Zorg ervoor dat alle aansluitingen in goede staat verkeren.
- Haal de stekker uit het stopcontact voordat u onderhoudswerkzaamheden of kleine reparaties aan de koelvriescombinatie uitvoert. Dit geldt ook voor het schoonmaken en vervangen van lampen.
- Raak geen koude oppervlakken aan wanneer de koelvriescombinatie in gebruik is, omdat handen kunnen vastvriezen met bevroeringsletsel als gevolg.
- Let op dat de buizen, kabels of condensator niet worden beschadigd wanneer u de koelvriescombinatie verplaatst. Neem contact op met een gekwalificeerde servicemonteur wanneer deze onderdelen beschadigd zijn.
- Mousserende vloeistoffen (koolzuurhoudende dranken) mogen nooit worden ingevroren. Deze vloeistoffen zetten uit tijdens het invriezen waardoor flessen/verpakkingen barsten of exploderen.
- Etenswaaren die eerst ontdooid of bereid moeten worden, zoals brood of vlees, moeten niet in bevroren toestand worden genuttigd.
- Eet geen voedsel dat vreemd ruikt of er vreemd uitziet. Gooi het bij twijfel weg.
- Gebruik geen scherp of metalen voorwerp om ijs van het oppervlak van de vriezer te schrapen. Gebruik alleen een voorwerp dat voor dit doeleinde geschikt is (zoals schrapers van kunststof), en gebruik dit voorzichtig om schade aan de binnenkant van de vriezer te voorkomen.
- Het koelsysteem bevat koelmiddel en olie die bij lekkage schadelijk voor de gezondheid kan zijn. Haal bij lekkage de stekker uit het stopcontact en ventileer de ruimte. Zorg ervoor dat er geen koelmiddel rond of in uw ogen komt. Neem contact op met een servicemonteur of maak een afspraak om de koelkast te laten verwijderen.

## Elektrische veiligheid

- De koelkast moet conform de geldende voorschriften op het lichtnet worden aangesloten.
- De stekker moet toegankelijk blijven nadat de koelkast is geplaatst.
- Zorg ervoor dat de koelkast niet de stroomkabel afknelt.
- Stap niet op de kabel.
- Vermijd schade aan de stroomkabel wanneer u de koelkast verplaatst.

### **Beschadigde stroomkabel**

Schakel de koelkast uit en raadpleeg een erkende leverancier voor vervanging van de stroomkabel wanneer deze beschadigd of versleten is.

## Informatie over het koelmiddelgas

**BELANGRIJK:** deze koelvriescombinatie bevat het koelmiddelgas isobutaan (R600a). Zorg ervoor dat de koelkast niet overmatig wordt bewogen of geschud wanneer u het verplaatst. Hierdoor kan de koelkast beschadigd raken.

Schade aan het koelmiddelcircuit, met mogelijk lekkage van koelmiddelgas, kan leiden tot explosiegevaar door een vonk op open vuur.

### **Bij lekkage**

Zorg voor voldoende ventilatie zodat het materiaal kan verdampen.

### **Kenmerken van het gas**

Het koelmiddelgas is licht ontvlambaar. Zorg er daarom voor dat het gas niet in contact komt met warme oppervlakken of open vuur. Gas R600a is zwaarder dan lucht: wanneer het vrijkomt, zakt het in een hoge concentratie naar de vloer waar gebrekkige ventilatie is.

### **Eerste hulp**

#### **Inademing**

Haal de blootgestelde persoon uit de verontreinigde ruimte en breng de persoon naar een warme, geventileerde ruimte.

Langdurige blootstelling kan leiden tot verstikkingsverschijnselen en het verlies van het bewustzijn. Pas in dat geval mond-op-mondbeademing toe en dien in ernstige gevallen zuurstof toe onder medische supervisie.

#### **Huidcontact**

Licht contact met de huid is waarschijnlijk niet schadelijk. Was als dit gebeurt de huid grondig.

Vloeistofspatten en vernevelde vloeistof kunnen vriesbrandwonden veroorzaken. Spoel de huid af met overvloedig water en raadpleeg een huisarts om eventuele brandwonden te behandelen.

#### **Contact met de ogen**

Sper de ogen wijd open en spoel ze af met overvloedig water. Raadpleeg daarna zo snel mogelijk een arts.

Wij adviseren u om uw huisarts te raadplegen wanneer u in contact komt met het R600a gas of het inademt.

## Zorg voor het milieu

### **De verpakking weggooien**

Uw nieuwe koelvriescombinatie was verpakt in een beschermende verpakking tijdens het transport. Alle gebruikte materialen zijn milieuvriendelijk en kunnen worden gerecycled. U kunt een bijdrage leveren aan een beter milieu door de verpakking op de juiste wijze weg te gooien.

### **Uw oude koelkast afdanken**



Dit symbool op het product of de verpakking ervan geeft aan dat het product niet mag worden behandeld als huishoudelijk afval. Het moet worden overgedragen aan uw lokale vuilstort/recyclingscentrum.

Oude koelkasten hebben nog enige restwaarde. Door de koelkast op een milieuvriendelijke manier af te voeren, zorgt u ervoor dat grondstoffen kunnen worden teruggewonnen en gerecycled.

Wanneer de koelkast versleten is en vervangen moet worden, haalt u de stekker uit het stopcontact. Snijd de stroomkabel af en gooi deze kabel samen met de stekker weg.

Demonteer de deur (door de afdichtingen te verwijderen) of verwijder de deur zodat kinderen zichzelf niet per ongeluk kunnen opsluiten.

Cyclopentaan is een ontvlambare vloeistof die niet schadelijk voor de ozonlaag is en wordt gebruikt als additief in het isolatieschuim.

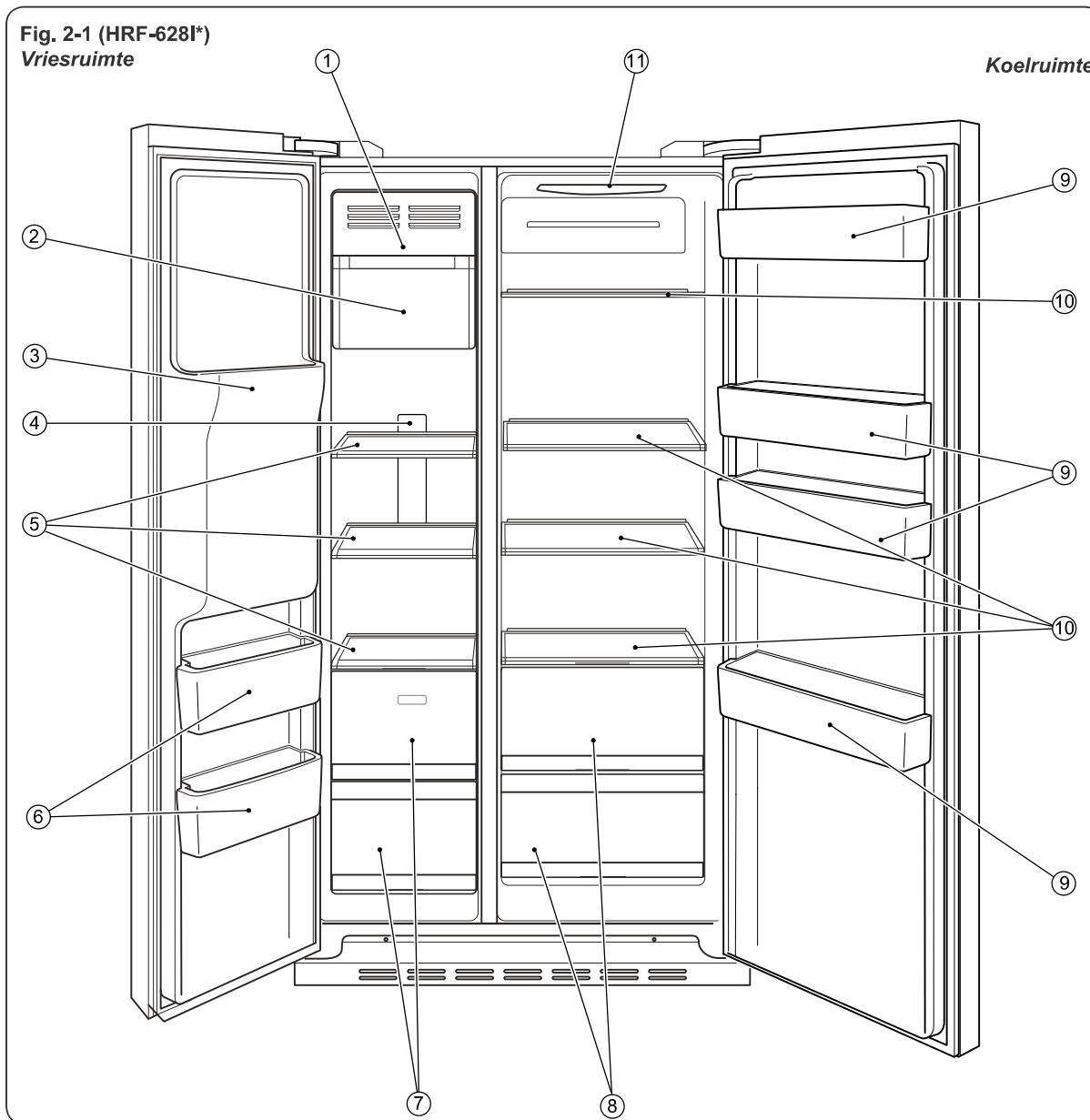
Let erop dat u het koelcircuit niet beschadigt wanneer u de koelkast verplaatst.

Door ervoor te zorgen dat dit product op de juiste wijze wordt afgedankt, voorkomt u de mogelijk negatieve gevolgen van deze producten voor het milieu en de menselijke gezondheid als u het product op andere wijze zou weggooien.

Voor meer informatie over de recycling van dit product kunt u contact opnemen met uw gemeente, het inzamelpunt voor huishoudelijk afval of de winkel waar u het product hebt gekocht.



## 2. Uw koelvriescombinatie



De HRF-628I\* (fig. 2-1) heeft de volgende kenmerken:

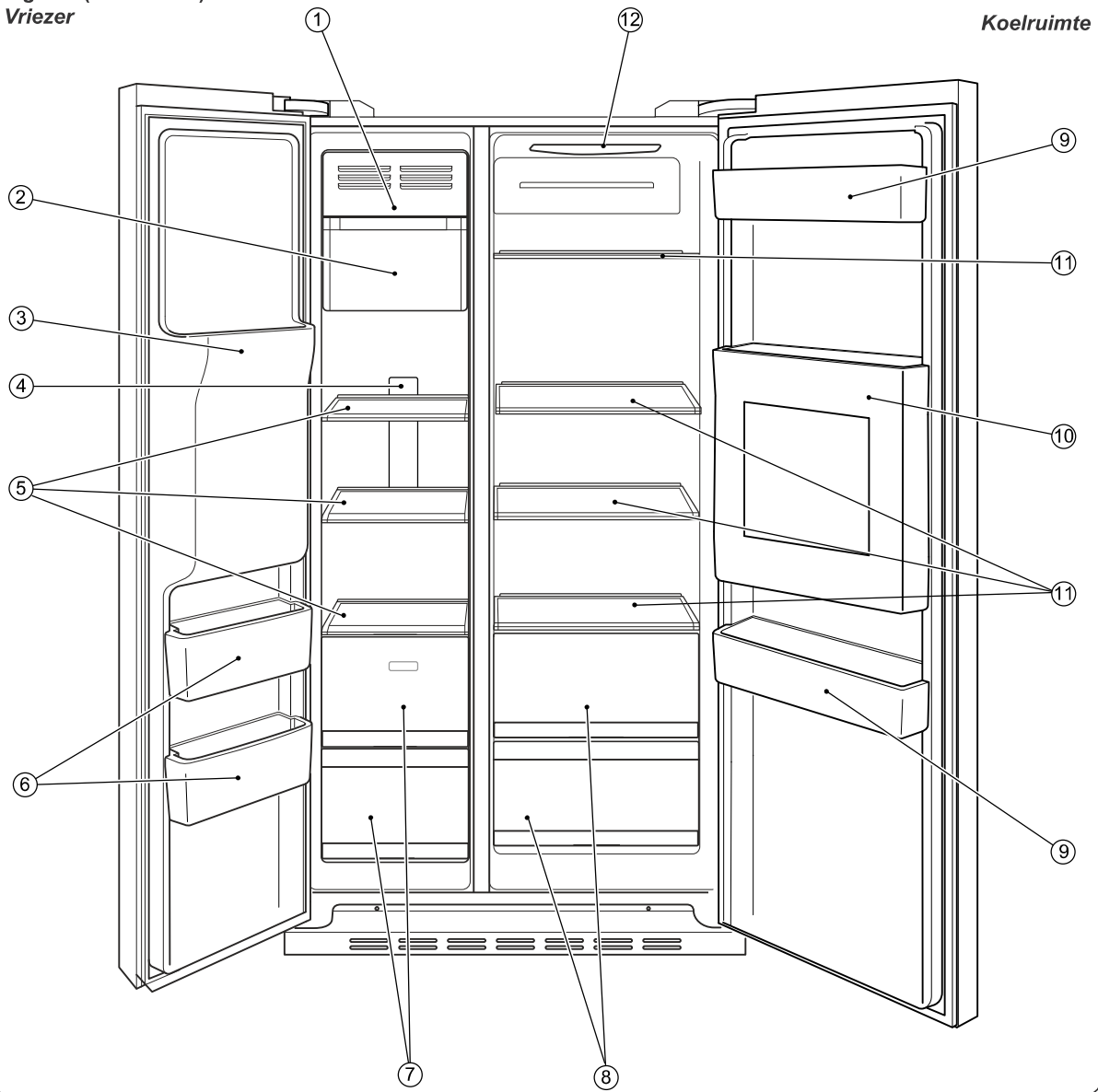
- |  |                                      |
|--|--------------------------------------|
| 1. Ijsplank                                  | 9. 4 deurvakken in de koelruimte     |
| 2. Ijsbak met ijsmaker (in de bak)           | 10. 4 bewaarplanken in de koelruimte |
| 3. Waterkraan en ijsmaker                    | 11. LED-verlichting in de koelruimte |
| 4. LED-verlichting in de vriesruimte         |                                      |
| 5. 3 bewaarplanken in de vriesruimte         |                                      |
| 6. 2 deurvakken in de vriesruimte            |                                      |
| 7. 2 vrieslades(HRF-628I*6)                  |                                      |
| 3 vrieslades(HRF-630I*7)                     |                                      |
| 8. 2 groentelades(HRF-628I*6)                |                                      |
| 1 Humidity lade & 2 groentelades(HRF-630I*7) |                                      |

CFK-vrij en vorstvrij

Super-freeze, super-koel en een vakantieprogramma

Automatische temperatuurweergave

Fig. 2-2 (HRF-628A\*)  
Vriezer



De HRF-628A\* (fig. 2-2) heeft de volgende kenmerken:

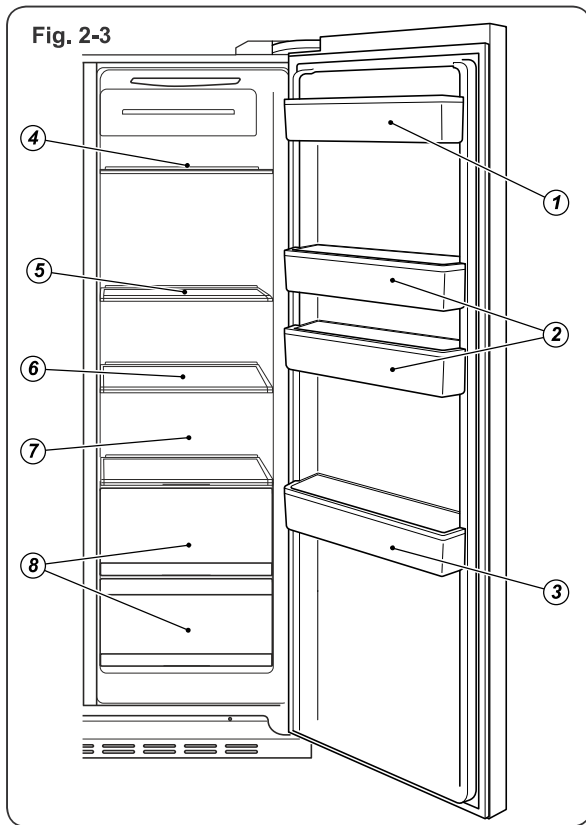
- |   |   |
|---|---|
| <ul style="list-style-type: none"> <li>1. Ijsplank</li> <li>2. Ijsbak met ijsmaker (in de bak)</li> <li>3. Waterkraan en ijsmaker</li> <li>4. LED-verlichting in de vriesruimte</li> <li>5. 3 bewaarplanken in de vriesruimte</li> <li>6. 2 deurvakken in de vriesruimte</li> <li>7. 2 vrieslades(HRF-628A*6)<br/>3 vrieslades(HRF-630A*7)</li> <li>8. 2 groentelades(HRF-628A*6)<br/>1 Humidity lade &amp; 2 groentelades(HRF-630A*7)</li> </ul> | <ul style="list-style-type: none"> <li>9. 2 deurvakken in de koelruimte</li> <li>10. Binnenbekleding huisbar</li> <li>11. 4 bewaarplanken in de koelruimte</li> <li>12. LED-verlichting in de koelruimte</li> </ul> |
|---|---|

CFK-vrij en vorstvrij

Super-freeze, super-koel en een vakantieprogramma

Automatische temperatuurweergave





## Het gedeelte voor vers voedsel

Het wordt aanbevolen om ruimte tussen etenswaren te laten zodat er een goede circulatie van koude lucht kan plaatsvinden. De temperaturen boven in de koelvriescombinatie zijn iets hoger dan onder in de vriezer.

Etenswaren die snel bederven, kunt u het beste achter in de koelkast bewaren, waar het kouder is.

Tips voor bewaren (fig. 2-3):

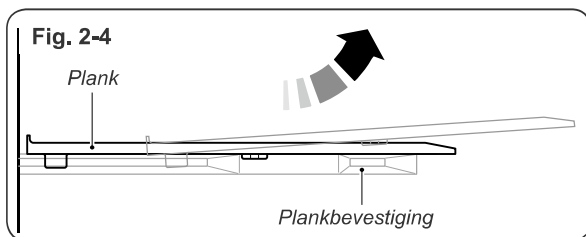
1. Eieren, boter, kaas, enzovoort.
2. Blikken, specerijen, enzovoort.
3. Drinken en etenswaren in flessen.
4. Etenswaren op zuur, dranken of blikjes.
5. Vlees, gevogelte, vis en rauwe etenswaren.
6. Meelproducten, blikken, zuivel, enzovoort.
7. Bereide vleeswaren, worst, enzovoort.
8. Fruit, groenten of salades.

## Planken

De hoogte van de planken kan worden aangepast aan wat u in de koelkast wilt bewaren.

De planken kunnen niet per ongeluk uitschuiven wanneer u voedingsmiddelen uit de koelkast haalt.

**▲ Maak de planken leeg voordat u de hoogte van de planken verstelt.**



## Planken

Om de plank te verwijderen, tilt u de voorkant op zodat de bevestigingen los uit de geleiders komen (fig. 2-4) en u de plank naar u toe kunt trekken. Houd de plank omhoog zodat de bevestigingsstoppen loskomen uit de geleiders.

Wanneer u de plank weer terugplaatst, zorg er dan voor dat u de plank volledig naar achteren duwt, totdat de plank vastklikt.

## Het licht

De LED-binnenverlichting gaat aan wanneer de deur wordt geopend. De verlichting reageert niet op andere instellingen van de koelkast.

## De vriesruimte

De vriesruimte bestaat uit 2 laden, een ijsplank, 3 glazen planken en 2 deurplanken (fig. 2-5).

Sommige plekken in de vriezer zijn beter geschikt om bepaalde etenswaren op te slaan dan andere.

IJsproducten kunnen het beste worden bewaard op de ijsplank of achter in de vriesruimte waar het kouder is.

Grotere en zwaardere etenswaren, zoals vlees met botten, kunnen het beste in de laden onder in de vriesruimte worden bewaard, terwijl lichtere producten het beste op de planken kunnen worden bewaard om schade aan de koelkast te voorkomen.

Controleer of de etenswaren die u in de vriezer bewaart, geschikt zijn om in te vriezen en berg deze goed in de vriesruimte op.

- ▲ Houd tenminste tien millimeter afstand tussen de etenswaren en de sensor voor een optimaal koeleffect.
- ▲ Zorg ervoor dat de onderste lade van de koelvriescombinatie wordt gebruikt, zodat het koeleffect goed kan werken.

## Planken

Om de plank te verwijderen, tilt u de voorkant op zodat de bevestigingen los van de zijkant komen (fig. 2-6) en u de plank naar u toe kunt trekken. Houd de plank omhoog zodat de bevestigingsstoppen loskomen uit de geleiders.

Wanneer u de plank weer terugplaatst, zorg er dan voor dat u de plank volledig naar achteren duwt, totdat de plank vastklikt.

## Het licht

De LED-binnenverlichting gaat aan wanneer de deur wordt geopend. De verlichting reageert niet op andere instellingen van de koelkast.

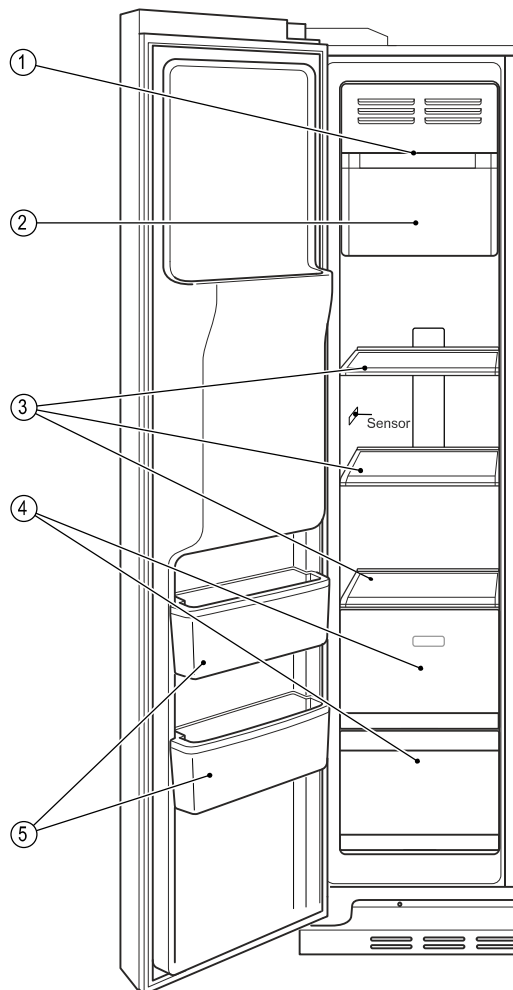
## Etenswaren ontdooien en bereiden

Wanneer voedsel deels ontdooid of gesmolten is, moet het zo snel mogelijk worden geconsumeerd zodat de kwaliteit niet wordt aangetast.

- ▲ Laat de etenswaren goed ontdooien en zorg ervoor dat de etenswaren geen ijsplinters bevatten wanneer u ze gaat bereiden. Dit is met name bij gevogelte belangrijk omdat het eten hiervan kan leiden tot ernstige gezondheidsklachten wanneer het vlees niet goed is ontdooid.

Volg altijd de instructies voor het ontdooien op de verpakking van voorverpakte maaltijden. De richtlijnen van fabrikanten zijn het meest betrouwbaar omdat sommige bevroren etenswaren vanuit bevroren status moeten worden bereid.

Fig. 2-5



- |             |               |
|-------------|---------------|
| 1. Ijsplank | 4. Laden      |
| 2. Ijsbak   | 5. Deurvakken |
| 3. Planken  |               |

Fig. 2-6

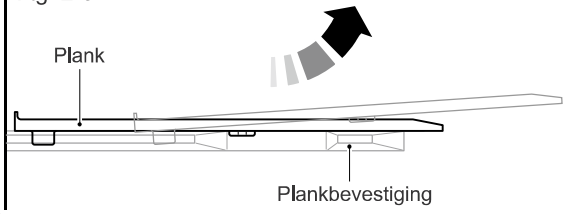


Fig. 2-7

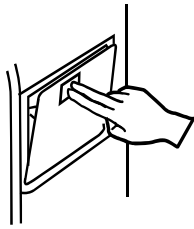


Fig. 2-8

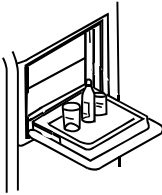


Fig. 2-9

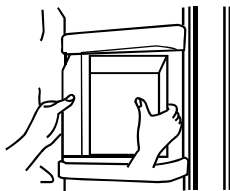
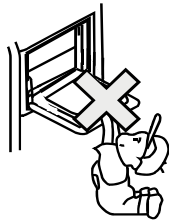


Fig. 2-10



## De ijsmaker/waterkraan

### Voorzorgsmaatregelen

- Zorg ervoor dat de waterleiding nooit wordt blootgesteld aan temperaturen beneden de 0 °C om te voorkomen dat deze dichtvriest.
- Controleer de leidingen op mogelijke lekkage door ze goed met water door te spoelen totdat het water helder wordt.
- Nadat u de koelkast op de juiste plek hebt gezet, controleert u of er geen bochten en knikken in de waterleiding zitten en dat deze niet in de buurt van een warmtebron is geplaatst om mogelijke schade te voorkomen.
- Zodra de temperatuur in de vriezer -12°C is, zal de ijsproductie op gang komen.
- Pas op voor overmatig gebruik van de ijsmaker. Wanneer u de ijsblokjestoets te vaak gebruikt, zal deze functie zichzelf automatisch uitschakelen. Dit is normaal en u moet daarna een uur wachten voordat u deze functie weer kunt gebruiken.
- Gebruik geen breekbaar glaswerk.
- Raak de opening van de ijsblokjesmaker niet met de handen of met voorwerpen aan om letsel of schade te voorkomen.
- Voeg niet handmatig water toe; er is een automatisch watersysteem. Wanneer de ijsmaker is ingeschakeld terwijl de koelkast niet op water is aangesloten, zal de ijsmaker niet functioneren.

### Werking van de ijsmaker

De capaciteit van de ijsmaker is 1 kg in 24 uur (dit blijkt uit testresultaten van de ijsmaker in een laboratorium waar de omgevingstemperatuur lager dan 32°C was). In het dagelijks gebruik van de ijsmaker kan de capaciteit enigszins variëren, afhankelijk van de omgevingstemperatuur en de waterdruk. Bewaar geen ijsblokjes die u direct na het opstarten van de koelkast hebt gemaakt, of nadat u de koelkast lange tijd niet hebt gebruikt. Gooi deze ijsblokjes weg.

Om de ijsblokbakjes maximaal te vullen, moet u regelmatig de ijsblokjes handmatig schikken.

Sommige ijsblokjes blijven aan elkaar kleven wanneer ze in de bak worden geplaatst. U moet de ijsblokjes van elkaar scheiden zodat u de ijsbak maximaal kunt gebruiken.

### Huisbar

- Om de bar te openen, drukt u op de toets van het compartiment (fig. 2-7). Het bargeedeelte wordt geopend.  
De huisbar kan worden gebruikt zonder dat u de deur van de koelkast hoeft te openen zodat u energie bespaart.  
Wanneer de huisbar is geopend, gaat het licht van de koelkast automatisch aan.
  - U kunt drankjes en andere etenswaren in de huisbar plaatsen (fig. 2-8).
  - Verwijder de binnenbekleding van de huisbar niet (fig. 2-9). De huisbar functioneert niet wanneer de binnenbekleding is verwijderd.
  - Houd kinderen uit de buurt van de huisbar (fig. 2-10). Kinderen kunnen gewond raken en de huisbar kan beschadigd raken.
- ⚠ Sluit de huisbar zo snel mogelijk om de kou in de koelkast te houden. Als de deur niet goed is gesloten, klinkt er na enige tijd een alarmsignaal.

## Eerste gebruik van de ijsmaker/waterkraan

- ⚠ Drink de eerste (ongeveer) zeven glazen niet omdat er stof en/of onzuiverheden in de waterleidingen kunnen zitten.

Hierdoor weet u zeker dat de leidingen schoon zijn. Als u twijfelt, laat u de kraan lopen totdat het water helder is.

## Geluiden tijdens het ijs maken

Het proces van ijs maken kan lawaaierig zijn. Mogelijk hoort u het geluid van ijs dat in het opslagcompartiment valt. Dit is normaal.

## IJs voor langere perioden bewaren

Wanneer ijs lang wordt bewaard, kan het een ondoorzichtige kleur en een vreemde geur krijgen. Het wordt aanbevolen om dit ijs weg te gooien en vervolgens de ijsbak uit de koelkast te halen en schoon te maken. Zorg ervoor dat de lade grondig wordt gedroogd voordat u deze terugzet in de koelkast zodat het ijs niet kan vastplakken.

## Het ijsproces uitschakelen

Wanneer u voor langere tijd geen ijs wilt maken (bijv. tijdens de winter), kunt u de kraan tussen de watertoevoer en de koelkast uitschakelen. Het wordt aanbevolen om de ijsbak schoon te maken, daarna goed te drogen en deze terug in de koelkast te plaatsen. Hiermee voorkomt u kwalijke geuren.

## De lade van de ijsblokjes plaatsen en verwijderen

Om de ijsbak te verwijderen, tilt u het midden van de lade op waardoor het onderdeel loslaat (fig. 2-11).

Let op: door condensafzetting kan de ijsbak zijn vastgevroren.

Als de ijsbak niet gemakkelijk past, kunt u deze verwijderen en het nokkenmechanisme 90 graden rechtsom draaien (fig. 2-12). Plaats de ijsbak opnieuw en zorg ervoor dat de uitsteeksels op de plank in de sleuf passen.

## Als de ijsmaker niet goed werkt

Het volume van de ijsbak is gelijk aan de hoeveelheid ijsblokjes die de koelkast in een dag kan produceren. Soms kan er een klein aantal ijsblokjes achterblijven in de bak. Als het ijs vastzit, kan dit leiden tot een afwijkende werking van de ijsblokjesmaker. Om dit probleem te voorkomen, verwijdert u de ijsbak, maakt u de ijsblokjes los en verwijdert u de ijsblokjes die niet kunnen worden losgemaakt.

- ⚠ Zorg er altijd voor dat de opening van de ijsblokjesmaker schoon is en niet wordt door iets wordt geblokkeerd.
- ⚠ Als u de ijsbak eruit haalt, hebt u extra ruimte om etenswaren op te slaan. U kunt de aanvullende flessenhouder boven de opening van de deur plaatsen voor gemakkelijke opslag van etenswaren (fig. 2-13).

Fig. 2-11

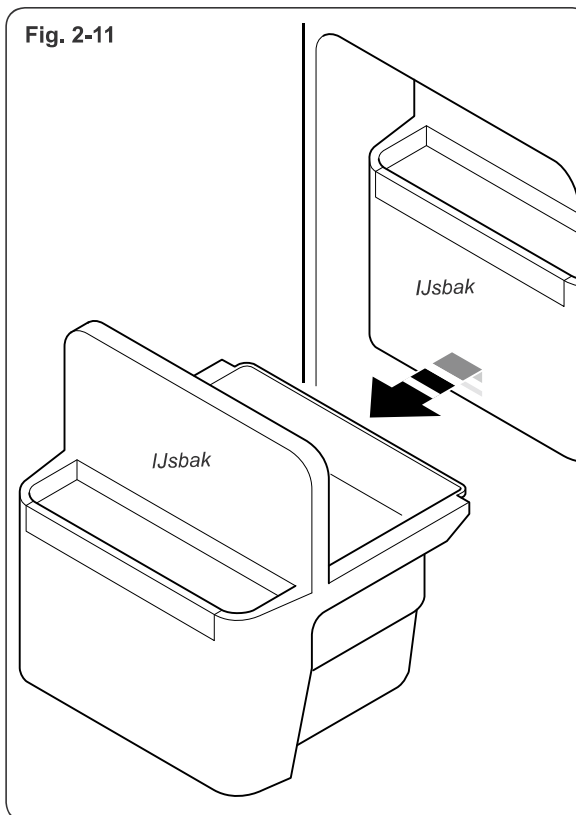


Fig. 2-12

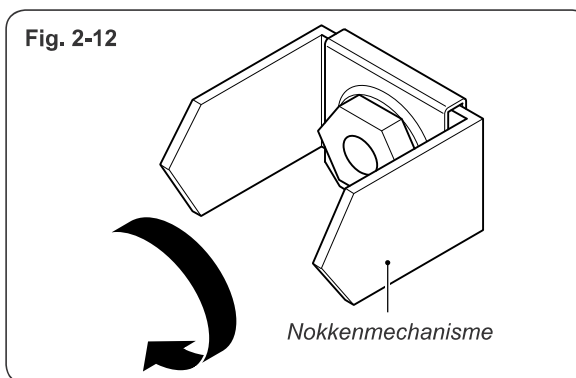
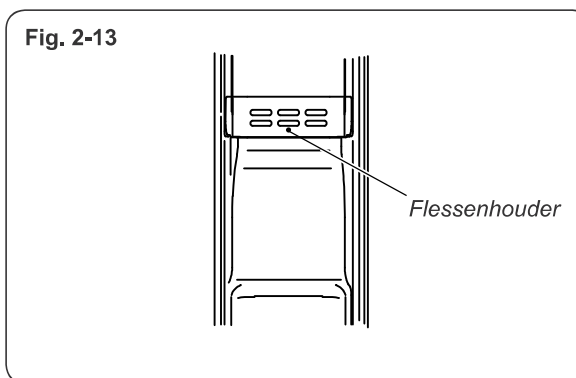


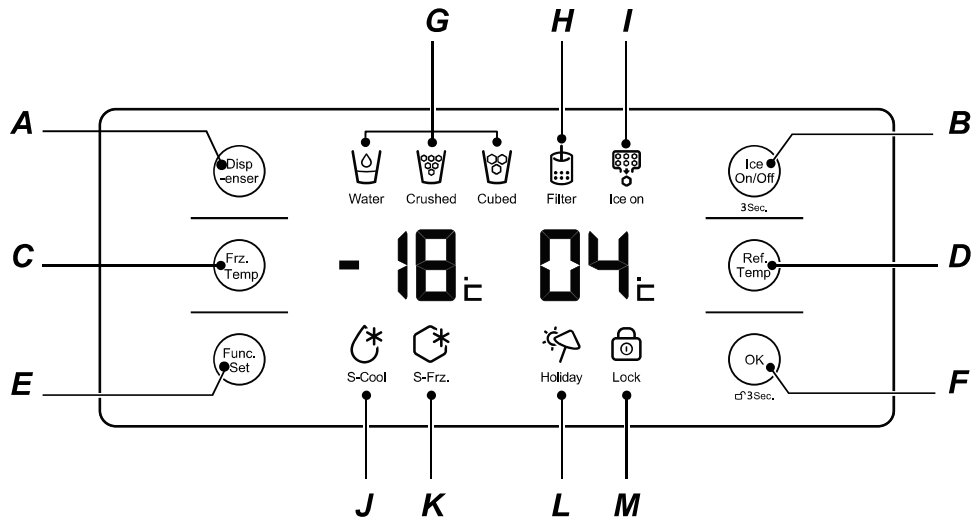
Fig. 2-13



NL

## Werking van de koelvriescombinatie

Fig. 2-14



A – Automaatselectietoets

B – Aan-/uit-toets ijsmaker

C – Temperatuurtoets vriesruimte

D – Temperatuurtoets koelruimte

E – Functieselectietoets

F – Functiebevestigingstoets  
(toets OK)

G – Pictogram automaatstatus

H – Pictogram status  
filterverandering

I – Pictogram status ijsmaker

J – Pictogram snelle koeling

K – Pictogram snelvriezen

L – Pictogram vakantiemodus

M – Pictogram vergrendeling

De digitale weergave en functietoetsen van de waterkraan en ijsmaker worden getoond in fig. 2-14.

### ▲ WAARSCHUWING

U kunt de temperatuurinstellingen niet wijzigen met de modus snelvriezen of de vergrendelingsmodus. Wanneer u de temperatuurinstellingen in deze modi probeert te wijzigen, zal het speciale functiepictogram naast de vriestemperatuurweergave gaan knipperen en klinkt er een pieptoon om aan te geven dat u de temperatuur niet kunt veranderen.

Fig. 2-15

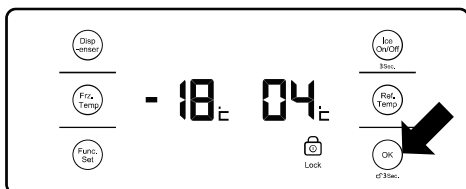


Fig. 2-16

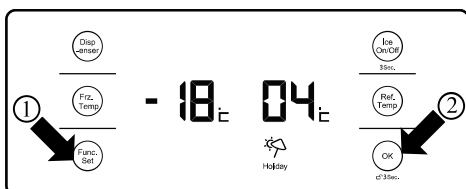
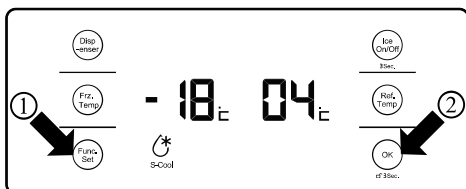


Fig. 2-17



## Vergrendelingsmodus

Deze functie vergrendelt de ingestelde temperatuur en functies. Indien vergrendeld zal het LOCK-pictogram knipperen en zal er een pieptoon klinken.

### Vergrendelen

Druk op de OK-toets en houd deze drie seconden vast (fig. 2-15). Het LOCK-pictogram verschijnt en de koelvriescombinatie wordt vergrendeld.

### Ontgrendelen

Druk op de OK-toets en houd deze drie seconden vast. Het LOCK-pictogram verdwijnt en de koelvriescombinatie wordt ontgrendeld.

## Vakantieprogramma

▲ WAARSCHUWING Voordat u de vakantiemodus selecteert, verwijdert u al het eten en drinken uit de koelruimte omdat dit in korte tijd kan bederven.

Met deze functie kunt u de koeler uitschakelen terwijl de vriezer blijft functioneren. Als u deze modus inschakelt, zal de koeler automatisch op 17 °C worden ingesteld.

### Inschakelen

1. Druk op de toets Func. Set totdat de vakantiemodus is geselecteerd (fig. 2-16).
2. Druk nu op de OK-toets. Het Holiday-pictogram verschijnt.

### Uitschakelen

1. Druk op de toets Func. Set totdat de vakantiemodus is geselecteerd.
2. Druk nu op de OK-toets. Het Holiday-pictogram verdwijnt.

## Snelkoelingsmodus

Met deze functie kunt u etenswaren snel koelen zodat deze zolang mogelijk vers blijven. Gebruik deze functie voordat u grote hoeveelheden etenswaren tegelijkertijd in de koelkast plaatst.

De snelkoelingsmodus gaat vanzelf uit wanneer de koelkast de ingestelde temperatuur heeft bereikt.

### Inschakelen

1. Druk op de toets Func. Set totdat de snelkoelingsmodus is geselecteerd (fig. 2-17).
2. Druk nu op de OK-toets. Het S-Cool-pictogram verschijnt.

### Uitschakelen

1. Druk op de toets Func. Set totdat de snelkoelingsmodus is geselecteerd.
2. Druk nu op de OK-toets: het S-Cool-pictogram verdwijnt. De snelkoelingsmodus is nu uitgeschakeld.



## Snelvriesmodus

Met deze functie kunt u verse etenswaren in de kortst mogelijke tijd volledig invriezen waardoor alle voedingsstoffen behouden blijven.

De snelvriesmodus gaat vanzelf uit wanneer de vriezer de ingestelde temperatuur heeft bereikt.

Gebruik deze functie voordat u grote hoeveelheden etenswaren tegelijkertijd in het vriesgedeelte legt. Het wordt aanbevolen om de snelvriesmodus 12 uur van tevoren in te schakelen zodat de temperatuur kan dalen voordat u etenswaren in de vriezer legt.

### Inschakelen

1. Druk op de toets Func. Set totdat de snelvriesmodus is geselecteerd (fig. 2-18).
2. Druk nu op de OK-toets. Het S-Frz.-pictogram verschijnt.

### Uitschakelen

1. Druk op de toets Func. Set totdat de snelvriesmodus is geselecteerd.
2. Druk nu op de OK-toets. Het S-Frz.-pictogram verdwijnt. De snelvriesmodus is nu uitgeschakeld.

## De temperatuur voor vers voedsel aanpassen

Druk op de toets Ref. Temp (fig. 2-19). De weergave van de koeltemperatuur begint te knipperen. Dit betekent dat de temperatuur van de koelruimte kan worden ingesteld.

Druk op de toets Ref. Temp om door het temperatuurbereik van de koelruimte van 09 °C naar 01 °C te bladeren.

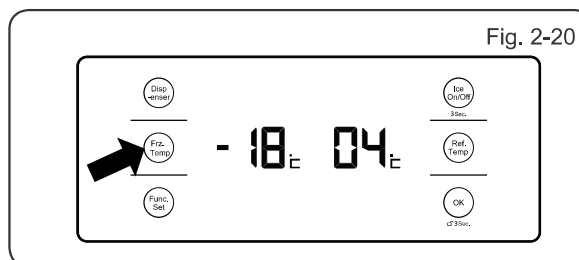
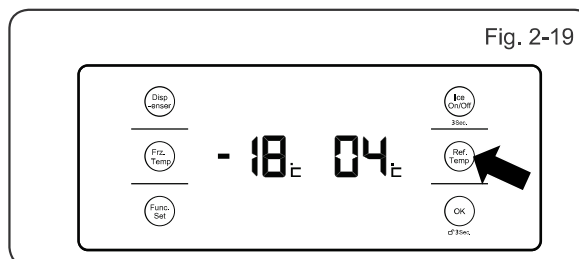
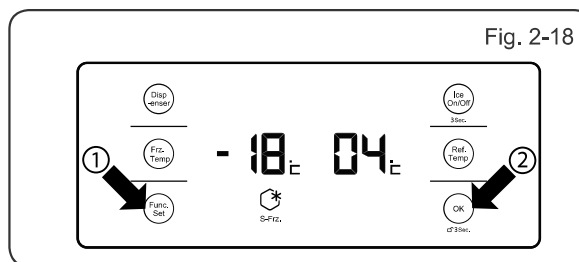
Als u binnen vijf seconden geen handelingen uitvoert, zal het knipperen stoppen en wordt de temperatuur ingesteld. De temperatuur zal niet veranderen wanneer u tijdens het knipperen op een andere toets drukt.

## De vriestemperatuur aanpassen

Druk op de toets Frz. Temp (fig. 2-20). De weergave van de vriestemperatuur begint te knipperen. Dit betekent dat de temperatuur van de vriesruimte kan worden ingesteld.

Druk op de toets Frz. Temp om door het temperatuurbereik van de vriesruimte te bladeren van -14 °C naar -24 °C.

Als u binnen vijf seconden geen handelingen uitvoert, zal het knipperen stoppen en wordt de temperatuur ingesteld. De temperatuur zal niet veranderen wanneer u tijdens het knipperen op een andere toets drukt.



## De waterkraan en de ijsmaker bedienen

Deze koelkast/vriezer heeft drie beschikbare opties - koud water, ijssplinters en ijsblokjes.

Houd altijd een glas onder de kraan wanneer u een optie selecteert zodat u morsen voorkomt. Het is aanbevolen om een beker van ten minste 80 millimeter doorsnee te gebruiken wanneer u ijs uit de ijsmaker haalt.

## De aan-/uit-instelling van de ijsmaker

Wanneer u de koelvriescombinatie voor het eerst aanzet, schakelt de ijsmaker standaard uit.

### Inschakelen

- Druk drie seconden op de toets Ice On/Off. Het Ice On-pictogram verschijnt en de ijsmaker wordt ingeschakeld.

### Uitschakelen

- Druk drie seconden op de toets Ice On/Off. Het Ice On-pictogram verdwijnt en de ijsmaker wordt uitgeschakeld.

**BELANGRIJK:** Het ijs gaat smelten wanneer u de ijsmaker uitzet. Leeg daarom eerst de bak van de ijsmaker.

### Toevoer koud water

1. Houd het glas onder de automaat.
2. Druk op de toets Dispenser om koud water te selecteren. Het Water-pictogram verschijnt.
3. Druk het glas licht tegen de hendel zodat koud water in het glas wordt getapt.

### Toevoer ijssplinters

1. Houd het glas onder de automaat.
2. Druk op de toets Dispenser om ijssplinters te selecteren. Het Crushed-pictogram verschijnt.
3. Druk het glas licht tegen de hendel aan zodat ijssplinters in het glas vallen.

### Toevoer ijsblokjes

1. Houd het glas onder de automaat.
2. Druk op de toets Dispenser om ijsblokjes te selecteren. Het Cubed-pictogram verschijnt.
3. Druk het glas licht tegen de hendel aan zodat de ijsblokjes in het glas vallen.

### Het waterfilter vervangen

Wanneer het Filter-pictogram verschijnt, moet het filter worden vervangen (ongeveer elk zes maanden). Nadat u dit hebt vervangen, drukt u drie seconden op de toets Func. Set waarna het Filter-pictogram verdwijnt.

## Veiligheid

- ▲ Gebruik niet te diepe, smalle of breekbare glazen.
- Houd het glas zo dicht mogelijk bij de machine zodat u geen water of ijs morst of verstoppingen veroorzaakt.
- Vijf seconden na de laatste ijs- of watertoevoer gaat de klep van de automaat dicht met een geluid van ontsnappende lucht. Nadat u het glas hebt gevuld en de hendel hebt losgelaten, houdt u het glas nog twee tot drie seconden (voor ijs) of één tot twee seconden (voor water) onder de ijsmaker om het eventuele water of ijs op te vangen.
- Maak de automaat regelmatig schoon.
- Om de waterkwaliteit te behouden, moet u het filter na verloop van tijd vervangen. Het wordt aanbevolen om het waterfilter elke zes maanden te vervangen. Als de waterkwaliteit qua geur of smaak achteruitgaat, moet het filter echter eerder worden vervangen.
- Er kunnen ijssplinters worden afgegeven in plaats van ijsblokjes wanneer u de laatste keer de optie ijssplinters had geselecteerd.
- ▲ Plaats nooit blikjes drinken of etenswaren in de automaat. Dit kan het vermaalmechanisme beschadigen.
- ▲ Raak de automaat niet aan en verwijder de afdekking van de ijsmaker niet om ongelukken of schade aan de koelkast te voorkomen.
- De eerste (ongeveer) zeven glazen water en de eerste (ongeveer) twintig ijsblokjes die worden getapt na inschakeling van de koelkast, mogen niet worden geconsumeerd. Gooi het water of de ijsblokjes weg.
- Plaats geen ijsblokjes die niet zijn gemaakt in de ijsmaker, in de lade om mogelijke schade aan het mechanisme te voorkomen.
- Onvoldoende watertoevoer geeft waarschijnlijk kleinere ijsblokjes. Overmatige watertoevoer leidt mogelijk tot grotere ijsblokjes die aan elkaar kunnen blijven kleven, lekkage kunnen veroorzaken en de dispenser kunnen blokkeren. U moet de kraan bijstellen of contact opnemen met een servicemonteur.

## Automatisch ontdooien

U hoeft het ijs in de vriesruimte niet te verwijderen, omdat de vriezer beschikt over een functie voor het automatisch verwijderen van ijs.

- ▲ Gebruik alleen warmteapparaten om het ontdooien te versnellen die door de fabrikant worden aanbevolen.

## Alarmfunctie

Wanneer de deur langere tijd openstaat of niet goed is gesloten, zal de koelvriescombinatie een waarschuwingssignaal laten horen.

## De weergave uitschakelen

De digitale weergave schakelt na 30 seconden uit totdat de koelvriescombinatie opnieuw wordt gebruikt.



### 3. Tips voor het bewaren van voedsel

---

#### Tips voor het bewaren van vers voedsel

- Houd de temperatuur onder de 5°C.
- Houdbaarheidsdata. Etenswaren met een houdbaarheidsdatum 'te gebruiken tot' zijn aan bederf onderhevig. Het kan gevaarlijk zijn deze producten na deze datum te consumeren. Etenswaren met een datumaanduiding 'ten minste houdbaar tot' zijn langer houdbaar. Het is veilig om de producten na deze datum te eten hoewel ze mogelijk niet meer van de beste kwaliteit zijn.
- Zorg ervoor dat etenswaren die u na bereiding wilt invriezen eerst op kamertemperatuur zijn voordat u deze in de vriezer plaatst. Zorg ervoor dat deze etenswaren worden opgeslagen in geschikte bakken.
- Etenswaren moeten worden gewassen en gedroogd voordat ze worden opgeslagen.
- Sommige etenswaren kunnen het beste in de originele verpakking van de fabrikant in de koelvriescombinatie worden bewaard. Onverpakte etenswaren kunt u het beste verpakken zodat het vocht niet kan verdampen. Sommige groente- en fruitproducten blijven langer vers en gaan niet onaangenaam ruiken als ze verpakt zijn.
- U kunt opgeslagen etenswaren in opbergzakken of bakken markeren.
- Dagelijkse producten kunt u het beste aan de voorkant van de planken plaatsen.
- Zorg ervoor dat u etenswaren systematisch indeelt (rauw vlees bij rauw vlees en zuivel bij zuivel) zodat u smaakvermenging en kruisbesmetting voorkomt. Rauw vlees moet onder in de vriezer worden bewaard zodat het niet kan uitlekken over onbereide etenswaren. Andere producten slaat u op een plank boven het rauwe vlees op.
- Zorg altijd voor voldoende ruimte voor luchtcirculatie wanneer u etenswaren bewaart in het compartiment voor vers voedsel. Hierdoor blijft het voedsel op de planken langer goed.
- Zorg ervoor dat etenswaren niet te dicht tegen de achterwand van de koelruimte liggen om bevriezing te voorkomen.
- Voor radijs en andere knolgewassen wordt aangeraden eerst de bladeren af te knippen. Hierdoor blijft de voedingswaarde in de knol en wordt die niet door de bladeren geabsorbeerd.
- Plaats bevroren etenswaren in het versvoedselcompartiment om te ontdooien. Door de lage temperatuur vermindert de groei van bacteriën en blijven etenswaren langer goed.
- Sommige etenswaren zoals uien, knoflook, bananen en knolgewassen kunnen beter op kamertemperatuur worden opgeslagen dan in de koelkast.
- Meloen, ananassen en bananen kunnen na bereiding direct in de vriezer worden geplaatst voor langdurige opslag.
- Door vers voedsel goed te verpakken, de goede temperatuur in te stellen en rekening te houden met voedselhygiëne verbetert u de kwaliteit van vers voedsel in de koelvriescombinatie.
- Gebruik plastic zakken, aluminiumfolie of ander verpakkingsmateriaal om vers voedsel te verpakken zodat u smaakvermenging en kruisbesmetting voorkomt.
- Verwijder de overtollige verpakking van producten in familieverpakking (zoals yoghurt) voordat u deze opslaat.
- ▲ Bewaar geen producten in de koelvriescombinatie die snel verdampen, ontvlambaar of explosief zijn.
- Drankjes met een hoog alcoholgehalte moeten rechtop in goed afgesloten flessen worden bewaard.
- Delicate etenswaren moeten in het koudste gedeelte van de koelkast worden opgeslagen.
- Open de deur niet te vaak.
- Stel de thermostaat op de juiste temperatuur in en probeer bevriezing in de koelruimte te voorkomen. Met een thermometer kunt u de temperatuur in de koelkast meten. Plaats de thermometer in een glas met water en laat dat een paar uur in de koelkast staan zodat u een betrouwbare temperatuurweergave krijgt.
- Sommige etenswaren bevatten natuurlijke oliën en zuren (zoals citroenzuur) die plastic kunnen beschadigen. Verpak deze etenswaren daarom goed.
- Onaangename geuren in de vriezer duiden erop dat iets is gemorst en dat de vriezer moet worden schoongemaakt. Met warm water en soda kunt u de binnenkant van de koelvriescombinatie schoonmaken (zie Reiniging en onderhoud).
- Verwijder bederfelijke producten uit de koelkast wanneer u langere tijd van huis of op vakantie bent.

## Tips voor het invriezen van voedsel

- Door vers voedsel goed te verpakken, de goede temperatuur in te stellen en rekening te houden met voedselhygiëne verbetert u de kwaliteit van vers voedsel in de vriezer.
  - Plaats geen warme etenswaren in de vriezer. Laat deze eerst op kamertemperatuur komen.
  - Zorg ervoor dat alle etenswaren die u invriest, van hoge kwaliteit zijn en geschikt zijn om in te vriezen.
  - Gebruik verpakkingsmateriaal dat geurloos en luchtdicht is (zoals plastic tassen), zodat verschillende voedingsproducten zonder kwaliteitsverlies kunnen worden bewaard. Zorg ervoor dat de verpakking luchtdicht is. Zonder verpakking zullen voedingsproducten uitdrogen en hun vitamines verliezen.
  - Houd de buitenkant van de verpakkingen droog zodat ze niet aan elkaar vriezen.
  - Schrijf het type voedsel en de houdbaarheidsdatum op de verpakking.
  - Voedsel moet snel worden ingevroren. Het is daarom het beste om kleine porties zo snel mogelijk in te vriezen en ervoor te zorgen dat deze al vóór het invriezen zo koud mogelijk zijn. Het aanbevolen gewicht voor een portie is 2,5 kg.
  - Vers voedsel kunt u het beste apart houden van ingevroren voedsel. Zorg er daarom voor dat u kleine porties maakt wanneer u iedere dag vers voedsel invriest.
  - Overschrijd niet de maximale belasting voor invriezen. Dit is 10 kg in 24 uur (zie het gegevensembleem voor meer informatie).
  - Schrijf de houdbaarheidsdatum en de naam van de etenswaren op de verpakking zodat u zekerheid hebt over het type voedsel en de houdbaarheid ervan.
- Ontdooi alleen voedsel uit de vriezer wanneer u dat nodig hebt. U kunt ontdooid voedsel niet nogmaals invriezen, tenzij het bereid is.
  - Plaats niet te veel vers voedsel tegelijkertijd in de vriezer. Mogelijk overschrijdt u daarmee de maximale koelcapaciteit (zie het hoofdstuk Technische gegevens).
  - Volg de volgende richtlijnen wanneer u commercieel bevroren voedsel in vriezer wilt bewaren:
    - Volg altijd de richtlijnen van de fabrikant met betrekking tot de bewaartijd van voedselproducten. Overschrijd deze richtlijnen niet.
    - Houd de tijd tussen aanschaf en opslag in de vriezer zo kort mogelijk om de voedselkwaliteit te behouden.
    - Koop bevroren voedsel dat op een temperatuur van -18 °C of lager is gekoeld.
    - Koop geen etenswaren met ijs of vorst op de verpakking. Dit is mogelijk een aanduiding dat het product eerder is ontdooid en opnieuw is ingevroren, wat de voedselkwaliteit kan aantasten.
    - Bij een stroomstoring of een defect aan de vriezer die langer dan 5 uur duurt, kunt u het beste het voedsel uit de vriezer naar een andere vriezer of koude, hygiënische opslagplek (bijv. in de garage of buiten) overbrengen totdat de storing is verholpen. Om ongeplande temperatuurverhoging te voorkomen, kunt u de etenswaren het beste in een koelbak of in isolatiemateriaal, zoals krantenpapier, bewaren om de goede temperatuur te behouden. Om gezondheidsrisico's te voorkomen, moet u voedsel dat is ontdooid, meteen consumeren of na bereiding opnieuw invriezen.

## 4. Installatie

### Uw apparaat plaatsen

#### De juiste locatie kiezen

Dit apparaat moet in een droge en goed geventileerde ruimte worden geplaatst. Zorg voor minimaal 10 cm afstand tussen de koelkast en de keukenkasten zodat er voldoende ventilatie kan plaatsvinden (fig. 4-1). Zorg voor minimaal 10 cm afstand wanneer u andere apparaten boven de koelkast plaatst zodat er voldoende ventilatie kan plaatsvinden.

Zorg dat er voldoende ruimte is om deuren te openen en planken uit de koelkast te verwijderen wanneer u de koelkast vlakbij een hoek plaatst (fig. 4-2).

De koelkast moet tenminste 10 cm verwijderd zijn van een elektrisch fornuis of een gasfornuis en 30 cm van een kolen- of oliefornuis. Zorg voor adequaat isolatiemateriaal wanneer dit niet mogelijk is.

Zorg ervoor dat de koelkast niet in de zon of dicht bij andere warmtebronnen wordt geplaatst (zoals radiatoren, kachels en fornuizen).

Wanneer de koelkast in een koude omgeving wordt geplaatst (zoals een schuur, buitenhuis of garage) kan dit invloed hebben op de werking van de koelkast. De koelkast functioneert mogelijk niet zoals dat zou moeten, waardoor voedsel kan bederven. Een constante omgevingstemperatuur van 10°C of meer wordt aanbevolen.

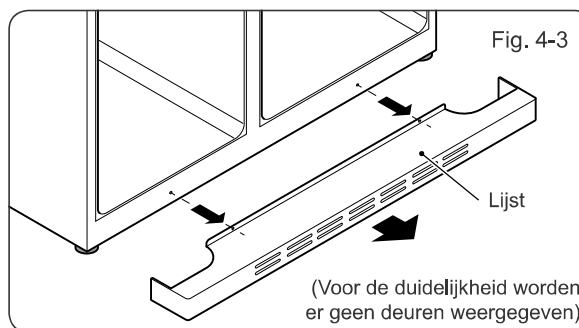
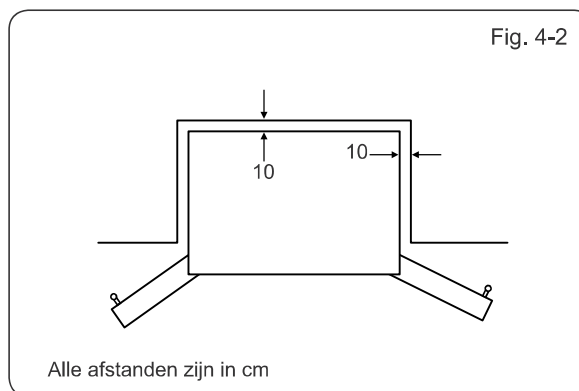
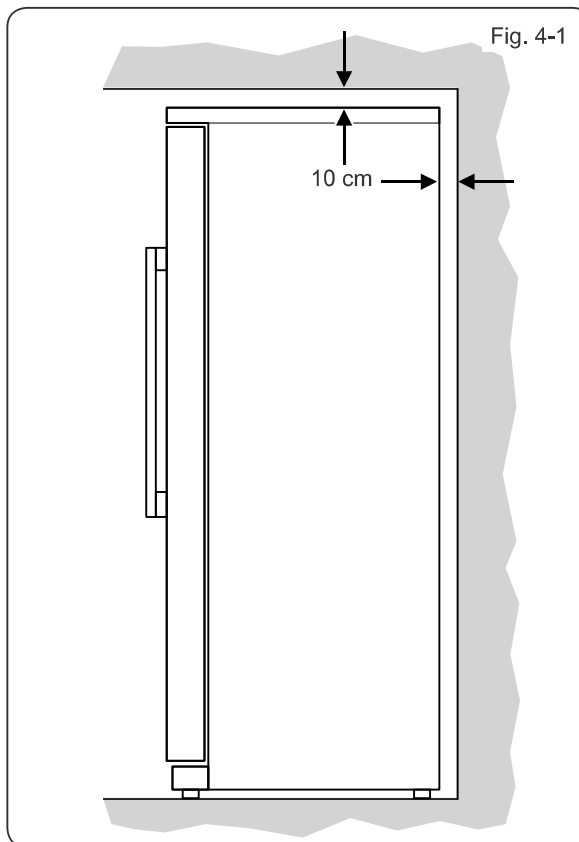


Fig. 4-4

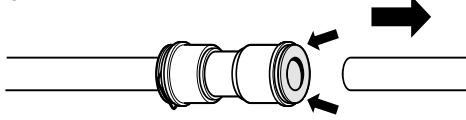


Fig. 4-5

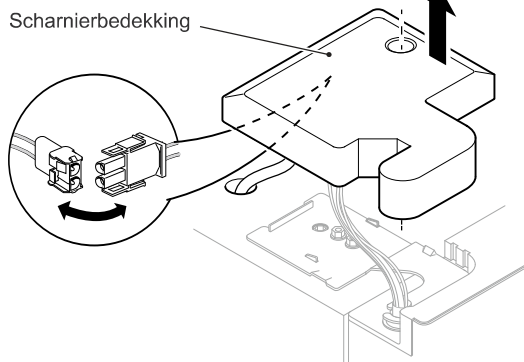


Fig. 4-6

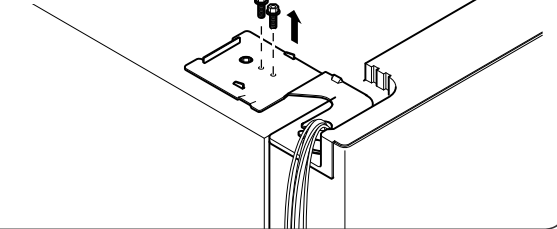


Fig. 4-7

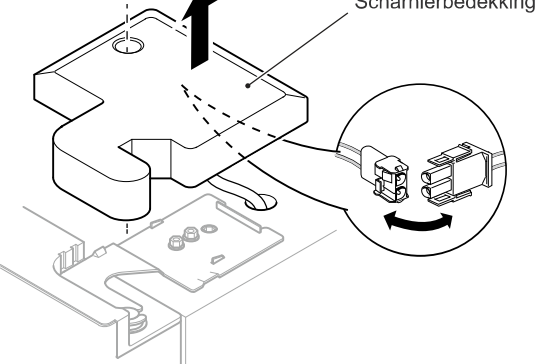
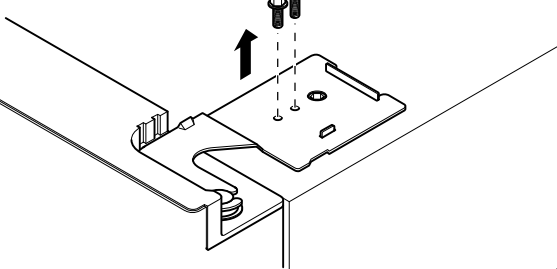


Fig. 4-8



## De deuren installeren en verwijderen

- ▲ Volg onderstaande instructies over installatie en het verwijderen van deuren wanneer u de koelkastdeuren verwijdert.
- ▲ Het wordt aanbevolen om u hierbij te laten assisteren door ten minste twee personen om lichamelijk letsel of materiële schade (aan de deur of de koelkast) te voorkomen.

Schroef de twee schroeven van de lijst los en verwijder de lijst (fig. 4-3).

Draai het waterkoppelstuk los, druk dit tegen de rand zoals aangegeven in de afbeelding (fig. 4-4) en verwijder de waterleiding.

Verwijder de dop.

## De vriezedeur

1. Draai de schroef van de scharnierafdekking los en verwijder de afdekking (fig. 4-5). Koppel met uitzondering van de aardekabel alle andere kabels los.
2. Draai de schroeven van het bovenste scharnier los en verwijder het scharnier (fig. 4-6).
3. Til de deur van de vriezer op en verwijder de deur. Til de deur hoog genoeg zodat u de waterleiding volledig uit de onderkant kunt trekken.

## De deur van de vriezer

1. Draai de schroeven van de scharnierafdekking los en verwijder de afdekking (fig. 4-7). Koppel met uitzondering van de aardekabel alle andere kabels los.
2. Draai de schroeven van het bovenste scharnier los en verwijder het scharnier (fig. 4-8).
3. Til de deur van het koeler op en verwijder de deur.

## De deur weer terugplaatsen

U kunt de deuren weer terugplaatsen door de instructies voor verwijdering ervan in omgekeerde volgorde uit te voeren.

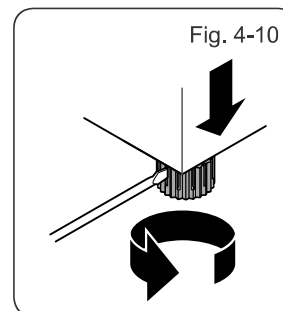
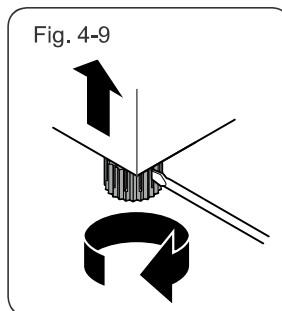


## De koelvriescombinatie waterpas zetten en de deuren aanpassen

Zorg ervoor dat de koelkast op een solide, effen vloer staat. Indien de koelkast op een verhoging wordt geplaatst, moet deze verhoging vlak, sterk en vuurbestendig zijn.

Deze koelkast heeft verstelbare pootjes aan de voorkant die kunnen worden gebruikt om de koelkast op de goede hoogte in te stellen.

Steek een passende, platte schroevendraaier in de gleuven van de verstelbare pootjes. Draai de schroevendraaier rechtsom om de stelvoetjes te verhogen (fig. 4-9) en linksom om de stelvoetjes te verlagen (fig. 4-10).

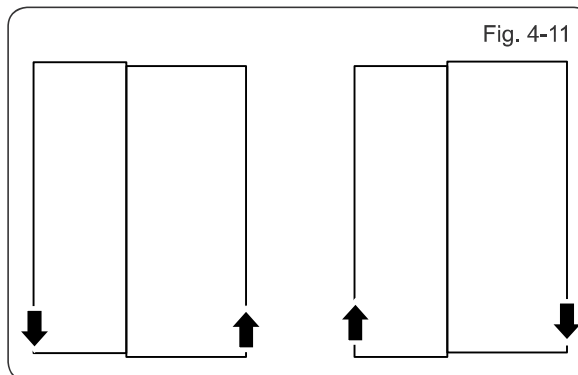


## De deuren verstellen

De deuren moeten mogelijk enigszins versteld worden voordat u de koelvriescombinatie op de elektriciteit aansluit. Dit kunt u doen door de stelvoetjes te verstellen (fig. 4-9 en fig. 4-10).

Om de linkerdeur te verhogen, draait u de linker stelvoet rechtsom tot de juiste hoogte (fig. 4-11).

Om de rechterdeur te verhogen, draait u de rechter stelvoet rechtsom tot de juiste hoogte.



## De deurhendel monteren

Montage van de handvaten

De handvaten passen op de bouten die reeds op elke deur (Fig.4-12) gemonteerd zijn.

Gelieve de inbusleutel die meegeleverd is te gebruiken.

1. Plaats de handvaten stevig op bouten van de deur.
2. Draai de schroeven aan met behulp van de inbusleutel.

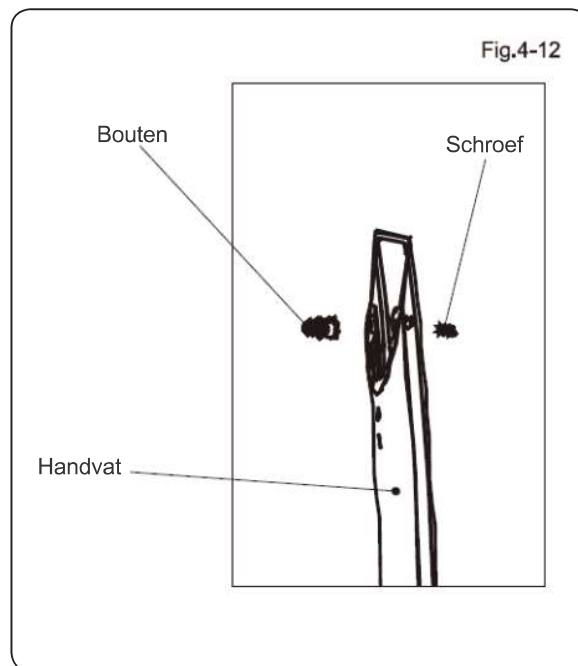
Gelieve de schroeven niet te strak aan te spannen.

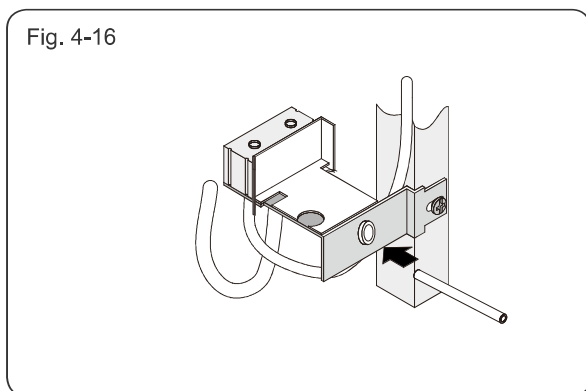
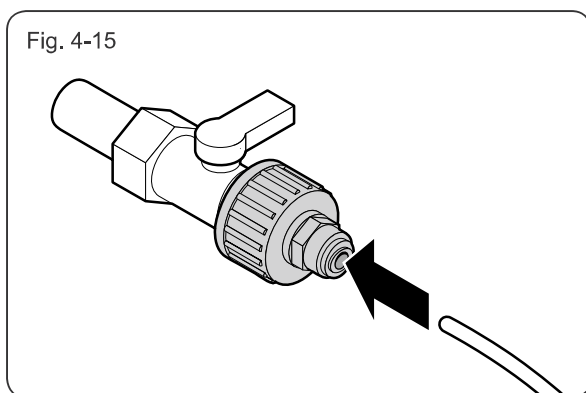
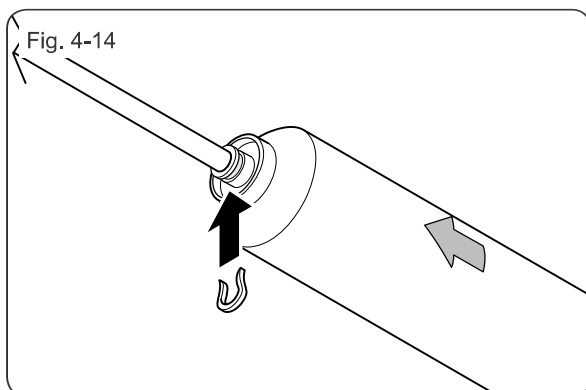
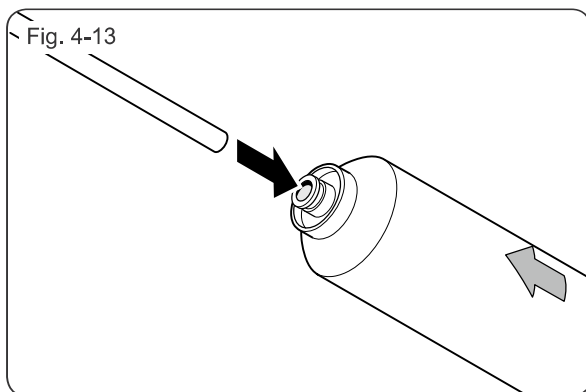
## Aansluiting op het lichtnet

Sluit de koelvriescombinatie aan op het lichtnet (220-240 V ~ 50 Hz).

De koelkast moet conform de geldende voorschriften op het lichtnet worden aangesloten.

- ▲ De koelvriescombinatie moet op een geaard stopcontact worden aangesloten.
- ▲ Zorg er altijd voor dat de stekker toegankelijk is nadat u de koelkast hebt geplaatst.





## Aansluiting op de waterleiding

▲ Het is raadzaam deze koelkast door een vakbekwame monteur te laten installeren.

Opmerking: raadpleeg voor meer details over de installatie de instructies die zijn meegeleverd met het waterfilter.

- De druk van de koudwatertoevoer voor de automatische ijsmaker moet tussen de 0,15-0,6 Mpa liggen.
- De waterleiding moet in de meeste gevallen een lengte van 8 meter hebben en er mogen geen bochten inzitten nadat deze is aangesloten. Als de leiding te lang is, zal er onderdruk ontstaan, wat van invloed is op de hoeveelheid ijs en water.
- Sluit de watertoevoer niet aan wanneer de omgevingstemperatuur onder de 0°C ligt, omdat de leiding dan kan bevriezen.
- Sluit de koelvriescombinatie altijd aan op een drinkwaterleiding.
- Houd de waterleiding uit de buurt van hittebronnen.
- Het waterfilter dient om onzuiverheden uit het water te filteren en om het ijs schoon en hygiënisch te maken. Het steriliseert of doodt echter niets. Sluit de waterleiding daarom alleen aan op een drinkwaterbron.
- Dit is een automatisch watersysteem. Voeg niet zelf handmatig water toe.
- Wanneer de ijsmaker is ingeschakeld terwijl de koelkast niet op water is aangesloten, zal de ijsmaker niet functioneren.

## Het waterfilter monteren

Meet en snijd de buis af op de lengte die deze moet hebben vanaf het filter naar de vriezer en vanaf het filter naar de waterleiding. Snijd de buis recht af met een scherp mes.

Steek een van de buizen in het waterfilter (fig. 4-13).

Zet de buis vast door een vergrendelingsclip in de groef te schuiven zoals op de afbeelding (fig. 4-14).

Herhaal deze handeling voor de andere kant van het filter.

Verbind het uiteinde met de plastic adapter (fig. 4-15). Schroef de adapter in een BSP-verbingsstuk van 1,27 cm.

Ga naar de waterkraanaansluiting aan de achterkant van de koelkast. Steek de buis in de kraanaansluiting (fig. 4-16).

Open de waterkraan om de leiding door te spoelen, controleer op lekkage in de verbingsstukken en laat het water doorspoelen totdat het doorzichtig is.

## De waterkraan klaarmaken

Druk voor het eerste gebruik gedurende één minuut verschillende malen op de waterkraanhendel. Druk niet langer dan één minuut op de hendel om oververhitting van de activatiespoel te voorkomen. Er komt nu koud water uit de kraan.



## 5. Schoonmaken en onderhoud

---

### IJs verwijderen

IJs wordt automatisch verwijderd en dit hoeft niet handmatig te worden gedaan.

- ⚠ Gebruik geen warmteapparaten om het ijs sneller te laten smelten.

### Reinigen

- ⚠ Haal voor het reinigen de stekker uit het stopcontact.

Om de kans op kwalijke geuren tot een minimum te beperken, kunt u het beste de planken, vershoudladen, bakken en wanden regelmatig schoonmaken.

Haal alle etenswaren uit de koelvriescombinatie en verwijder de planken.

Maak de binnenkant schoon met warm water, soda en een zachte doek. Droog daarna de binnenkant zorgvuldig af met een geschikte doek.

- ⚠ Gebruik geen schuurmiddelen of agressieve schoonmaakmiddelen, aangezien deze de binnenkant van de kast kunnen beschadigen.

Planken en andere accessoires (onderdelen van plastic en glas) kunnen met afwasmiddel en warm water in de gootsteen worden schoongemaakt. Spoel zeep van de onderdelen en droog deze af voordat u ze terugplaatst in de kast.

Zorg dat de deurafdichting altijd schoon is.

- ⚠ De koelvriescombinatie is zwaar. Let bij het verplaatsen van de koelkast op de vloer. Houd de kast rechtop en kantel hem niet. Hiermee voorkomt u schade aan de vloer.
- ⚠ U mag de koelkast niet natspuiten of afspoelen met water of andere vloeistoffen. Dit kan de elektrische onderdelen beschadigen.
- ⚠ Gebruik een droge doek voor het schoonmaken rondom de elektrische onderdelen (zoals de lamp of schakelaar).
- ⚠ Maak de koelkast niet schoon met een (staal)borstel.
- ⚠ Gebruik bij het schoonmaken geen organische oplosmiddelen zoals een schoonmaakmiddel, petroleum, lak, verdunner, aceton of zuur.
- ⚠ Zorg ervoor dat uw handen droog zijn als u onderdelen aanraakt. Zo voorkomt u dat uw handen vast blijven zitten aan koude, stalen onderdelen.
- ⚠ Gebruik geen heet water om de glazen planken te reinigen omdat ze hierdoor kunnen breken of barsten.
- ⚠ Gooi na het installeren van een nieuw waterfilter al het ijs weg dat in de eerste 24 uur erna wordt gemaakt.

### De koelkast uitzetten

In het geval van een stroomstoring blijft voedsel ongeveer 5 uur nog veilig gekoeld.

Als de stroomstoring langer duurt, moet u het voedsel uit de vriesruimte halen en het op een koude plaats bewaren. U kunt voorkomen dat het voedsel ontdooit door het in lagen krantenpapier te verpakken.

Zodra de stroomstoring voorbij is, plaatst u het voedsel weer terug in de vriesruimte.

Als het voedsel begint te ontdooien of de stroomstoring langer duurt dan verwacht, wordt aanbevolen etenswaren die u uit de vriezer hebt gehaald, te bereiden en te consumeren.

Als de stroomstoring van korte duur is, kunt u de meeste etenswaren in de vriesruimte laten liggen, omringd door ijsblokjes uit de ijsbak. Dit is de beste manier om de temperatuur laag te houden. Dit is ook de ideale oplossing voor stroomstoringen waarvoor u van tevoren bent gewaarschuwd.

Plaats bij een stroomstoring geen extra etenswaren in de vriezer.

### Indien niet in gebruik

Als u de koelvriescombinatie voor lange tijd niet gebruikt, wordt aanbevolen om de stekker uit het stopcontact te halen, al het voedsel eruit te halen, de kast van binnen schoon te maken en de deur open te laten staan. Dit bespaart energie en voorkomt dat de binnenkant onaangenaam gaat ruiken.

### Waterfilter

Om de waterkwaliteit te behouden, moet u het filter na verloop van tijd vervangen. Het wordt aanbevolen om het waterfilter elke zes maanden te vervangen. Als de waterkwaliteit qua geur of smaak achteruitgaat, moet het filter echter eerder worden vervangen.

## 6. Problemen oplossen

Lees voordat u met de service belt de volgende tabel. Dit kan u tijd en geld besparen.

Probleem	Oorzaak	Oplossing
<b>De temperatuur is te laag</b>		
1.1 De temperatuur in de vriezer is te laag, hoewel de koeltemperatuur goed is.	1.1.1 Er is een te lage temperatuur ingesteld voor de vriesruimte.	1.1.1.1 Stel een iets hogere vriestemperatuur in en wacht 24 uur voordat de juiste temperatuur is bereikt.
1.2 De temperatuur in het compartiment voor vers voedsel is te laag, hoewel de vriestemperatuur goed is.	1.2.1 Er is een te lage temperatuur ingesteld voor het compartiment voor vers voedsel.	1.2.1.1 Stel een iets hogere koeltemperatuur in. Het duurt maximaal 24 uur voordat de juiste temperatuur is bereikt.
1.3 Het voedsel de volledige breedtelade is bevroren.	1.3.1 De temperatuurregelaar is te laag ingesteld voor dat gedeelte voor vers voedsel.	1.3.1.1 Stel een iets hogere koeltemperatuur in. Het duurt maximaal 24 uur voordat de juiste temperatuur is bereikt.
1.4 Het voedsel in de vershoudlade is bevroren.	1.4.1 Er is een te lage temperatuur ingesteld voor dat gedeelte voor vers voedsel.	1.4.1.1 De vorming van aanvriezing en ijs kan worden voorkomen door een iets hogere temperatuur in te stellen en/of de vochtigheidsregelaarinstellingen lager te zetten.
1.5 Metingen op het display geven foutmeldingen weer.	1.5.1 Er is een probleem met de elektronische bediening opgetreden.	1.5.1.1 Bel een onderhoudsmonteur die het probleem kan vinden en repareren.
<b>De temperatuur is te hoog</b>		
2.1 De temperatuur in de vriesladen en het gedeelte voor vers voedsel is te hoog.	2.1.1 De deuren worden te vaak of te lang geopend.	2.1.1.1 Probeer de deuren minder vaak te openen.
	2.1.2 De deuren blijven openstaan.	2.1.2.1 Let er goed op dat de afdichting rond de deur goed sluit. Houd de afdichting schoon.
2.2 De temperatuur in de vriezer is te hoog, hoewel die van het compartiment voor vers voedsel goed is.	2.2.1 Er is een te hoge temperatuur ingesteld voor de vriezer.	2.2.1.1 Stel een iets lagere vriestemperatuur in. Het duurt maximaal 24 uur voordat de juiste temperatuur is bereikt.
2.3 De temperatuur in het gedeelte voor vers voedsel is te hoog, hoewel die van de vriezer goed is.	2.3.1 Er is een te hoge temperatuur ingesteld voor het gedeelte voor vers voedsel.	2.3.1.1 Stel een iets lagere koeltemperatuur in. Het duurt maximaal 24 uur voordat de juiste temperatuur is bereikt.
2.4 De temperatuur in de vershoudlade is te hoog.	2.4.1 Er is een te hoge temperatuur ingesteld voor het gedeelte voor vers voedsel.	2.4.1.1 Stel een iets lagere koeltemperatuur in. Het duurt maximaal 24 uur voordat de juiste temperatuur is bereikt.
<b>Water, vochtigheid, aanvriezing of ijs in de koelkast</b>		
3.1 Er zit vocht aan de binnenkant van de koelkast.	3.1.1 De omgeving is warm of vochtig.	3.1.1.1 Verhoog de temperatuur iets voor het compartiment in kwestie.
	3.1.2 De deur blijft openstaan.	3.1.2.1 Ga na of de afdichting schoon is en een goede afdichting vormt met het metalen frame.
	3.1.3 De deur of lade staat te vaak of te lang open.	3.1.3.1 Doe de deur minder vaak open.
	3.1.4 Verpakkingen met eten of vloeistoffen blijven openstaan.	3.1.4.1 Laat warm voedsel eerst afkoelen tot kamertemperatuur en dek voedsel of vloeistoffen af.
3.2 Er hopen zich waterdruppels op in de onderste vershoudladen.	3.2.1 Vochtigheidsinstellingen staan te hoog.	3.2.1.1 Het is normaal dat er enige condensatie optreedt in de afgesloten vershoudlade. Om de ophoping van vocht te verminderen, kunt u de vochtigheidsinstelling lager zetten en/of de temperatuur van het compartiment voor vers voedsel verhogen.



Probleem	Oorzaak	Oplossing
3.3 Er vormt zich water aan de onderkant van de glazen afdekkingen van de verhoudladen.	3.3.1 Het water is afkomstig van vochtige etenswaren.	3.3.1.1 Als u voedsel in de koelkast plaatst, dep het dan eerst droog met een doek om overtollig vocht te verwijderen.
	3.3.2 Er is een lekkage in de deurafdekking of de deur wordt te vaak geopend in een vochtige omgeving.	3.3.2.1 Controleer de deurafdichting en doe de deur minder vaak open. Eventueel kunt u de temperatuur voor vers voedsel verhogen.
Water/vochtigheid/aanvriezing aan de buitenkant van de vriezer		
4.1 Door luchtvochtigheid vormen zich waterdruppels aan de buitenranden van de vriezer.	4.1.1 Warme, vochtige omgevingslucht mengt zich met koudere lucht in de gebieden rond de afdichting en de ruimte voor vers voedsel en de vriesruimte waardoor condens ontstaat.	4.1.1.1 Een kleine hoeveelheid condens of vochtigheid is normaal. Het beste is om dit af te vegen met een droge doek om prestaties te verbeteren.
		4.1.1.2 Een kleine verhoging van de temperatuur in het compartiment kan de vorming van vocht verminderen.
		4.1.1.3 Ga na of de afdichting schoon is en goed sluit.
De automatische ijsmaker		
5.1 De ijsmaker werkt niet naar behoren.	5.1.1 Ijsblokjes blijven aan elkaar kleven.	5.1.1.1 Haal de klomp ijsblokjes eruit, breek deze in stukken en doe alleen de losse ijsblokjes terug in de bak.
	5.1.2 Ijsblokjes kunnen aan elkaar blijven kleven als ze te lang worden bewaard.	5.1.2.1 Zie 5.1.1.1 hierboven.
5.2 Ijsblokjes zijn te groot of te klein.	5.2.1 De watertoevoer van de ijsmaker is niet goed ingesteld.	5.2.1.1 Pas de watertoevoer van de ijsmaker aan.
Koudwaterkraan en ijsmaker		
6.1 Er komt geen koud water uit de kraan.	6.1.1 De deur van de vries- of koelruimte zit niet goed dicht. De kraan van waterleiding is gesloten.	6.1.1.1 Sluit de deuren van de koelkast.  Draai de kraan van de waterleiding helemaal open.
		6.1.2 Het waterfilter is verstopt.
	6.1.3 De watertoevoer is verstopt.	6.1.2.1 Vervang het waterfilter. 6.1.3.1 Ga na of er geen kinken of verstoppingen in de waterleiding zitten.
6.2 Het water heeft een vreemde geur.	6.2.1 Het water is te lang bewaard zonder het te gebruiken.	6.2.1.1 Tap zeven glazen water en gooi het water weg. Kijk of hierdoor de geur verbetert.
	6.2.2 Het lokale drinkwater is verdacht.	6.2.1.2 Neem contact op met het waterschapsbedrijf voor het controleren van de waterkwaliteit.
6.3 Er komt geen ijs uit de ijsmaker.	6.3.1 De deur van de vries- of koelruimte zit niet goed dicht.	6.3.1.1 Sluit de deuren van de koelkast.
	6.3.2 Er zitten geen ijsklontjes in de bak.	6.3.2.1 Wacht totdat er ijsblokjes beschikbaar zijn.
	6.3.3 De vriestemperatuur staat te hoog ingesteld.	6.3.3.1 Verlaag de vriezertemperatuur om de prestaties van de ijsmaker te verhogen.
6.4 De automaat blijft steken.	6.4.1 Er is ontdooid water aan de spil vastgevroren.	6.4.1.1 Verwijder de bak. Maak de spil schoon en droog hem af. Vervang de bak.
	6.4.2 Er zijn ijsblokjes blijven steken tussen de ijsmaker en de bak.	6.4.2.1 Verwijder de ijsblokjes die zijn blijven steken tussen de ijsmaker en de bak.
	6.4.3 Er zijn ijsblokjes aan elkaar blijven kleven.	6.4.3.1 Haal de klomp ijsblokjes eruit, breek deze in stukken en doe alleen de losse ijsblokjes terug in de bak.
	6.4.4 Andere ijsblokjes zijn in de automaat geplaatst.	6.4.4.1 Alleen ijsblokjes gemaakt door de ijsmaker kunnen worden gebruikt in de automaat.

Probleem	Oorzaak	Oplissing
De vriezer ruikt onaangenaam		
7.1 De binnenkant van de vriezer is verontreinigd.	7.1.1 De planken, deurvakken en binnenwanden moeten worden schoongemaakt.	7.1.1.1 Maak alle oppervlakken aan de binnenkant schoon met warm water en een schone, natte, zachte doek en droog ze vervolgens.
	7.1.2 Er ligt voedsel in de vriezer dat over de houdbaarheidsdatum heen is.	7.1.2.1 Zorg dat etenswaren ingepakt en afgedekt zijn om de houdbaarheid te verlengen.
De deur is lastig te openen en/of te sluiten.		
8.1 De deur sluit niet goed.	8.1.1 De deur wordt misschien tegengehouden door etenswaren of verpakkingen.	8.1.1.1 Verplaats de planken, deurvakken of bakken zodat de deur weer dicht kan.
	8.1.2 Omdat de koelvriescombinatie niet waterpas staat, gaan de deuren scheef staan.	8.1.2.1 Zorg ervoor dat de ondergrond waterpas is. Gebruik hiervoor alleen stevig, vuurbestendig materiaal.
	8.1.3 De deur komt tegen ernaast staande kasten of apparaten aan.	8.1.3.1 Zorg dat er aan alle drie de kanten en aan de bovenkant van de koelkast voldoende ruimte (25 mm) vrij is, zodat de deuren vrij kunnen worden geopend en gesloten.
Algemeen		
9.1 De compressor doet het niet.	9.1.1 De koelvriescombinatie staat op diepvriezen.	9.1.1.1 Dit is normaal voor een koelvriescombinatie die automatisch op diepvriezen overschakelt. Het diepvriezen duurt ongeveer 30 minuten.
	9.1.2 De koelvriescombinatie staat niet aan.	9.1.2.1 Zorg ervoor dat de stekker goed in het stopcontact zit. 9.1.2.2 Is de schakelaar afgeslagen? Kijk de 13A-zekering na en vervang deze en/of schakel de zekering weer in. 9.1.2.3 Controleer de stroomvoorziening in de ruimte. Neem contact op met uw elektriciteitsbedrijf.
9.2 De vriezer slaat te vaak of te lang aan.	9.2.1 De kamer- of omgevingstemperatuur is te hoog.	9.2.1.1 Het is normaal dat de vriezer continu aanslaat.
	9.2.2 De ijsmaker staat aan.	9.2.2.1 Het is normaal dat de ijsmaker de vriezer meer belast.
	9.2.3 De deuren worden te vaak of te lang geopend.	9.2.3.1 Probeer de deuren en laden minder lang te openen.
	9.2.4 De vriezer en het compartiment voor vers voedsel staan ingesteld op een te lage temperatuur.	9.2.4.1 Verhoog de temperaturen in de compartimenten langzaam en wacht 24 uur.
	9.2.5 De deurafdichting kan vies, gerafeld of gebarsten zijn.	9.2.5.1 Maak de afdichting schoon en verhit deze enigszins met een föhn zodat de afdichting de vorm van het metalen frame neemt.
9.3 De compressor slaat te vaak aan en af.	9.3.1 De temperatuursensoren houden de temperaturen op het ingestelde niveau, waardoor de compressor aan- en afslaat.	9.3.1.1 Dit is normaal. De vriezercompressor zorgt voor de juiste temperatuur.
10.1 De verlichting is uit.	10.1.1 De lichtschakelaar wordt geblokkeerd door vuil of etensresten.	10.1.1.1 Haal de stekker uit het stopcontact. Zoek de lichtschakelaar op de tussenwand en druk een paar keer op die wand om te kijken of hierdoor het voedsel loskomt.
	10.1.2 De vriezer staat uit.	10.1.2.1 Kijk na of de stekker goed in het stopcontact zit.
11.1 Er klinkt een piepend geluid vanuit de vriezer.	11.1.1 De deur staat al 60 seconden open.	11.1.1.1 Dit is normaal en zal zich elke minuut herhalen totdat de deur wordt gesloten.



## 7. Technische gegevens

---

### Klasse

Model	HRF-628A*6/HRF-628I*6
Elektrisch – voltage/frequentie	220-240V 50Hz
Energielabel	A+
Klimaatklasse	SN-N-ST
Sterbeoordeling vriesruimte	*/***
Koelmiddel	R600a 80 gr
Bruto-inhoud	610 liter
Netto-inhoud	550 liter
Netto-inhoud – koelruimte	375 liter
Netto-inhoud – vriesruimte	175 liter
Invriescapaciteit per 24 uur	10 kg per 24 uur
Energieverbruik per jaar	420 kW·h per jaar
Energieverbruik (EN153)	1,15 kW·h per 24 uur
Maximaal geluidsniveau	42 dB(A)
Maximale bewaartijd bij stroomstoring	5 uur
Ijsmaakcapaciteit	1 kg per 24 uur

Model	HRF-630A*7/HRF-630I*7
Elektrisch – voltage/frequentie	220-240V 50Hz
Energielabel	A++
Klimaatklasse	SN-N-ST-T
Sterbeoordeling vriesruimte	*/***
Koelmiddel	R600a 80 gr
Bruto-inhoud	610 liter
Netto-inhoud	550 liter
Netto-inhoud – koelruimte	375 liter
Netto-inhoud – vriesruimte	175 liter
Invriescapaciteit per 24 uur	10 kg per 24 uur
Energieverbruik per jaar	355kW h per jaar
Energieverbruik (EN153)	0.97kW h per 24 uur
Maximaal geluidsniveau	42 dB(A)
Maximale bewaartijd bij stroomstoring	5 uur
Ijsmaakcapaciteit	1 kg per 24 uur

---

## Przed pierwszym użyciem urządzenia

Zamierzone zastosowanie: to urządzenie zostało zaprojektowane tylko do użytku w suchych pomieszczeniach gospodarstw domowych. Każde inne użytkowanie jest nieprawidłowe i może prowadzić do obrażeń. W takich wypadkach producent nie ponosi odpowiedzialności.

### *Rzeczy, które należy wykonać...*

Sprawdzić, czy wtyczka nie została przytrzaśnięta pod lodówką. Przy odłączaniu zasilania, chwycić za wtyczkę, nie za przewód. Zachować ostrożność, aby nie przewrócić się o przewód lub nie uszkodzić go podczas odsuwania zamrażarki od ściany. Zachować ostrożność, by nie uszkodzić wtyczki. Jeśli jest ona uszkodzona, wyłączyć zasilanie (o ile jest to możliwe) i ostrożnie odłączyć wtyczkę od gniazdka. Skonsultować się z autoryzowanym agentem serwisowym w celu jej wymiany. Upewnić się, że w pobliżu lodówki nie występuje wyciek gazu lub innej substancji łatwopalnej. Jeśli tak jest, zamknąć zawór ułatwiający się gazu; otworzyć drzwi i okna, ale nie wkładać lub wyjmować z gniazdka wtyczki przewodu zasilającego lodówki lub innego urządzenia.

Wyjąć wtyczkę lodówki z gniazdka elektrycznego na czas czyszczenia, konserwacji i wymiany lampy.

Otwierać drzwi za rączkę. Należy uważać, aby nie przytrzasnąć palców, gdyż szczelina pomiędzy drzwiami może być bardzo wąską.

Po wyjęciu wtyczki z gniazdka elektrycznego odczekać przynajmniej 5 minut przed ponownym uruchomieniem urządzenia. Częste uruchamianie może uszkodzić sprężarkę.

Otwory wentylacyjne pozostawiać niezablokowane.

Aby uniknąć przypadkowego zamknięcia drzwi podczas złomowania lodówki, należy zdjąć jej drzwi, uszczelki drzwiowe i półki i ustawić je we właściwym miejscu.

Lodówkę należy ustawić w dobrze wentylowanym pomieszczeniu, dość blisko źródła wody pitnej.

Nad lodówką powinno być przynajmniej 20 cm wolnej przestrzeni, a wokół niej 10 cm.

Urządzenie należy ustawić tak, aby zapewnić dostęp do wtyczki.

### *Rzeczy, których nie należy robić...*

Lodówkę obsługuje przewód zasilający 220-240 VAC/50 Hz. Po podłączeniu lodówki do nieodpowiedniego napięcia wahań mogą skutkować nieuruchomieniem się lodówki lub uszkodzeniem sterowania temperaturą, sprężarki lub możliwością pojawienia się nadmiernego hałasu podczas pracy sprężarki. W takim wypadku należy zamontować automatyczny regulator.

Lodówka powinna być podłączona do gniazdka sieciowego wyposażonego we wtyk uziemiający. Przewód zasilający lodówki jest przewodem trójżyłowym (z uziemieniem) z wtyczką dostosowaną do gniazdka trójżyłowego (z uziemieniem). Nigdy nie należy odcinać lub usuwać trzeciego bolca (z uziemieniem). Po zainstalowaniu lodówki powinien być zapewniony dostęp do wtyczki.

W lodówce nie należy przechowywać materiałów łatwopalnych, wybuchowych lub powodujących korozję.

W lodówce nie należy przechowywać lekarstw, bakterii lub środków chemicznych. Lodówka ta jest urządzeniem przeznaczonym do użytku domowego. Nie zaleca się umieszczania w niej materiałów wymagających określonej temperatury.

Aby uniknąć pożaru, w pobliżu lodówki nie zaleca się przechowywania benzyny lub innych materiałów łatwopalnych.

Na szczycie lodówki nie należy umieszczać niestabilnych obiektów (ciężkich przedmiotów, pojemników wypełnionych płynami), aby uniknąć obrażeń spowodowanych ich upadkiem lub porażenia prądem wywołanego przez zetknięcie z wodą.

Nie należy wieszać się na drzwiach lodówki lub na stojaku na butelki umieszczonym na drzwiach. Drzwi mogą odchylić się od pozycji pionowej, stojak na butelki może się obluźwiać lub lodówka może się przewrócić.

Nie należy stawać na drzwi przedziału zamrażarki, półki lub szafkę podczas wkładania lub wyjmowania żywności i napojów. Nie należy dotykać wewnętrznych powierzchni przedziału zamrażarki podczas jej pracy, a zwłaszcza mokrymi dłońmi, ponieważ mogą one przymarznąć do powierzchni.

W celu zapewnienia izolacji elektrycznej lodówki, nie należy spryskiwać lub splukiwać lodówki wodą podczas czyszczenia. Nie należy też ustawiać lodówki w wilgotnym miejscu lub tam, gdzie może ona zostać opryskana wodą. Płamy należy wyczyścić i osuszyć przy pomocy miękkiej, czystej szmatki. Rozmontowanie i zmiany w lodówce można przeprowadzić tylko po uzyskaniu zgody. Każdy ostry lub gwałtowny ruch lodówki może uszkodzić rury chłodzące. Może to skutkować powstaniem szkody lub obrażeniami.

Naprawy lodówki może przeprowadzać jedynie wyszkolony personel.

W zamrażarce nigdy nie należy przechowywać piwa lub napojów butelkowych, ponieważ pękają one podczas zamrażania.

Lodówki nie należy umieszczać bezpośrednio w promieniach słońca lub w miejscu, gdzie jest ona wystawiona na działanie ciepła z kucharek, grzejników lub innych urządzeń.

Nie należy zostawiać drzwi lodówki otwartych bez nadzoru osoby dorosłej oraz pozwalać dzieciom wchodzić do lodówki.

Nie należy pozwalać dzieciom wspinać się do szuflad zamrażarki. Nie należy używać w lodówce urządzeń elektrycznych, o ile nie są typu zalecanego przez producenta.

Nie wolno uszkodzić obwodu czynnika chłodniczego.

Do osuszania wnętrza lodówki nie wolno używać suszarki do włosów. Do usuwania zapachów nie wolno używać zapalonych świeczek w lodówce.

Na powierzchni urządzenia nie wolno rozpylać materiałów lotnych, takich jak środki owadobójcze.

Lodówkę należy otwierać i zamykać tylko wtedy, gdy w zasięgu ruchu drzwi nie ma dzieci.

Urządzenie to nie jest przeznaczone do użytku przez osoby (w tym dzieci) o ograniczonych możliwościach fizycznych, sensorycznych lub umysłowych, lub nie posiadających dostatecznej wiedzy lub doświadczenia, o ile nie znajdują się one pod nadzorem lub nie zostały przeszkolone w obsłudze urządzenia przez osobę odpowiedzialną za ich bezpieczeństwo. W przedziale zamrażarki nie należy przechowywać zbyt dużych ilości żywności, aby uniknąć dłuższych okresów pracy sprężarki lub wypadnięcia jedzenia. Zaleca się nie przekraczać linii wypełnienia szuflad.

Łączna waga żywności nie powinna przekraczać 30 kg. Aby uniknąć wypadnięcia żywności na ziemię, szuflad nie należy wyciągać zbyt gwałtownie lub pod kątem.

W celu przyśpieszenia procesu rozmrażania nie wolno używać żadnych urządzeń mechanicznych innych niż zalecane przez producenta.

W przypadku jakichkolwiek problemów ze światłem lodówki, prosimy o kontakt z naszym działem obsługi klienta.

Użytkownicy nie mogą wymieniać go we własnym zakresie.

---



# Spis treści

---

<b>1. Przed rozpoczęciem użytkowania</b>	<b>1</b>	<b>4. Instalacja</b>	<b>15</b>
Bezpieczeństwo	1	Ustawienie urządzenia	15
Informacje dotyczące gazu chłodniczego	2	Demontaż i montaż drzwi	16
Troska o środowisko naturalne	2	Poziomowanie lodówko-zamrażarki i regulacja drzwi	17
<b>2. Informacje na temat lodówki</b>	<b>3</b>	Poziomowanie drzwi	17
Informacje na temat komory na świeżą żywność	5	Montaż uchwytów	17
Informacje na temat komory zamrażarki	6	Podłączenie do źródła zasilania elektrycznego	17
Kostkarka do lodu/dystrybutor wody	7	Podłączenie do źródła wody	18
Barek domowy	7	<b>5. Czyszczenie i konserwacja</b>	<b>19</b>
Obsługa lodówko-zamrażarki	9	Rozmrażanie	19
Obsługa dystrybutora wody i lodu	12	Czyszczenie	19
Bezpieczeństwo	12	Wyłączanie lodówki	19
Automatyczne rozmrażanie	12	W przypadku braku użytkowania	19
Funkcja alarmu	12	Filtr wody	19
Wyłączenie wyświetlacza	12	<b>6. Rozwiązywanie problemów</b>	<b>20</b>
<b>3. Wskazówki dotyczące przechowywania żywności</b>	<b>13</b>	<b>7. Dane techniczne</b>	<b>23</b>
Wskazówki dotyczące przechowywania świeżej żywności	13		
Wskazówki dotyczące mrożenia żywności	14		

- Przed rozpoczęciem użytkowania należy przeczytać niniejszy podręcznik użytkownika.
- Podręcznik użytkownika należy przechowywać w bezpiecznym miejscu.
- Należy utrzymywać pełną drożność otworów wentylacyjnych w obudowie urządzenia lub wbudowanych w urządzenie.
- W celu przyspieszenia procesu rozmrażania nie wolno używać żadnych innych urządzeń mechanicznych niż zalecane przez producenta.
- Nie wolno uszkodzić obwodu czynnika chłodniczego.
- Wewnątrz komór lodówki służących do przechowywania żywności nie wolno używać żadnych urządzeń elektrycznych, o ile nie są z rodzaju zalecanego przez jej producenta.
- Ze względu na naszą politykę ciągłego udoskonalania zastrzegamy sobie prawo do wprowadzenia zmian w specyfikacji bez uprzedzenia.

# 1. Przed rozpoczęciem użytkowania

---

Dziękujemy za zakup tej lodówko-zamrażarki. Mamy nadzieję, że zapewni ona stylowe i praktyczne rozwiązanie potrzeb w zakresie chłodzenia. Przed rozpoczęciem użytkowania nowej lodówko-zamrażarki prosimy o przeczytanie tego podręcznika. Prosimy o przechowywanie tego podręcznika w bezpiecznym miejscu i przekazanie go ewentualnemu nowemu użytkownikowi. Mamy nadzieję, że niniejszy podręcznik dostarczy wszelkich wymaganych informacji. W razie jakichkolwiek wątpliwości prosimy o kontakt (patrz szczegóły dotyczące obsługi klienta w sekcji "Gwarancja").

- ▲ **OSTRZEŻENIE!** Urządzenie należy uziemić.
- ▲ Prosimy o pozostawienie urządzenia w pozycji stojącej na co najmniej sześć godzin. Umożliwi to ustabilizowanie stanu układu chłodzenia po transporcie.
- ▲ Należy zawsze zapewnić, aby instalacji urządzenia dokonała wykwalifikowana osoba.
- ▲ Komora zamrażania została sklasyfikowana na 4 gwiazdki.
- ▲ Urządzenie to jest przeznaczone wyłącznie do użytku domowego. Wykorzystywanie go w jakimkolwiek innym celu mogłoby unieważnić wszelkie roszczenia gwarancyjne lub z tytułu odpowiedzialności cywilnej.
- Przed podłączeniem urządzenia do źródła zasilania należy umyć jego wnętrze ciepłą wodą z wodorowęglanem sodu, a następnie dokładnie osuszyć.
- Sprawdzić, czy żadna z części urządzenia nie uległa uszkodzeniu, zwłaszcza części układu chłodzenia, rury lub przewody. W przypadku wystąpienia uszkodzenia **NIE WOLNO** instalować urządzenia; należy skontaktować się z wykwalifikowanym inżynierem serwisu lub biurem obsługi klienta.
- Jeżeli podczas transportu doszło do zaburzenia ustawienia akcesoriów wewnątrz urządzenia, należy zamocować je ponownie zgodnie z instrukcjami.
- Należy upewnić się, że wartość zasilania elektrycznego w gnieździe jest właściwa dla tego urządzenia – informacje dotyczące wymaganej mocy znajdują się na etykiecie danych urządzenia. Etykieta danych znajduje się wewnątrz urządzenia (w górnej części komory lodówki).
- Po zainstalowaniu, umyciu i osuszeniu urządzenia oraz odstawieniu go przez określony okres czasu po transporcie, jest ono gotowe do podłączenia do zasilania i włączenia.

## Bezpieczeństwo

- ▲ **OSTRZEŻENIE!** W urządzeniu wolno stosować wyłącznie wodę pitną.
- ▲ **OSTRZEŻENIE!** Należy zapewnić pełny dostęp do urządzenia.

- ▲ **NIE WOLNO** uszkodzić obwodu czynnika chłodniczego. Jeżeli doszło do uszkodzenia, nie wolno użytkować urządzenia.
- ▲ **OSTRZEŻENIE!** W celu rozmrożenia urządzenia **NIE WOLNO** używać urządzeń mechanicznych (jak np. suszarki do włosów).
- ▲ **OSTRZEŻENIE !** Przed rozpoczęciem użytkowania należy przepłukać układ rur doprowadzających wodę i lód. Należy zapoznać się z sekcją "Kostkarka do lodu/dystrybutor wody" niniejszego podręcznika.
- W trakcie wymiany starych urządzeń należy upewnić się, że przed ich usunięciem wszelkie mechanizmy blokujące zostały zablokowane – najlepszym rozwiązaniem byłoby całkowite wymontowanie drzwi urządzenia, aby nie dopuścić do uwięzienia dzieci wewnątrz urządzenia.
- Urządzenie należy w bezpieczny sposób podłączyć do źródła zasilania. Luźne połączenia, uszkodzone wtyczki i przewody pozbawione izolacji stanowią zagrożenie dla bezpieczeństwa. Upewnić się, że wszystkie połączenia są w odpowiednim stanie.
- Przed przystąpieniem do jakiegokolwiek rutynowej konserwacji lub drobnych napraw należy odłączyć urządzenie od źródła zasilania elektrycznego. Dotyczy to również mycia i wymiany żarówek oświetlenia.
- Podczas pracy urządzenia **NIE WOLNO** dotykać jego zimnych powierzchni, ponieważ spowoduje to przywarcie rąk prowadzące do odmrożeń.
- Podczas przemieszczania urządzenia należy zachować ostrożność, aby nie uszkodzić przewodów, rur lub modułu skraplacza. W przypadku uszkodzenia tych części należy skontaktować się z wykwalifikowanym inżynierem serwisu.
- Nigdy nie wolno zamrażać płynów musujących (napojów gazowanych). W trakcie zamrażania dochodzi do zwiększenia objętości tych płynów, co może prowadzić do pęknięcia lub rozerwania butelek/pojemników.
- Produktów spożywczych, które mają zostać odmrożone lub przyrządzone w pierwszym rzędzie, jak np. chleby czy mięsa, nie wolno spożywać w stanie zamrożonym.
- Jeżeli żywność dziwnie wygląda lub pachnie, nie należy próbować jej spożywać. W razie wątpliwości należy ją wyrzucić.
- Nigdy nie należy używać ostrych, metalowych narzędzi do zeszkobania lodu z powierzchni urządzenia. Należy używać wyłącznie narzędzi, które są do tego celu przeznaczone (jak np. plastikowe skrobaczki) i stosować je z zachowaniem ostrożności, aby uniknąć uszkodzenia warstwy wyściełającej urządzenie.

- Układ chłodzenia zawiera czynnik chłodniczy i oleje, z których, w przypadku wycieku, każdy jest szkodliwy dla zdrowia. W przypadku wystąpienia takiego wycieku należy odłączyć urządzenie i przewietrzyć pomieszczenie. Upewnić się, że chłodziwo nie dostało się do oczu lub w ich pobliżu. Skontaktować się z inżynierem serwisu lub zorganizować usunięcie urządzenia.

### Bezpieczeństwo pod względem elektrycznym

- Połączenia ze źródłem zasilania powinny być zgodne z lokalnymi przepisami.
- Po ustawieniu urządzenia NALEŻY zapewnić dostęp do wtyczki.
- Upewnić się, że lodówka nie stoi na przewodzie elektrycznym.
- Nie wolno stawać na przewodzie.
- Podczas przesuwania lodówki należy unikać uszkodzenia przewodu elektrycznego.

### Uszkodzony przewód elektryczny

W przypadku uszkodzenia lub zużycia przewodu elektrycznego należy wyłączyć lodówkę i skontaktować się z upoważnionym przedstawicielem w celu wymiany tego przewodu.

### Informacje dotyczące gazu chłodniczego

WAŻNE: urządzenie to napełnione jest gazem chłodniczym, IZOBUTANEM (R600a). Podczas przesuwania urządzenia należy zachować ostrożność, aby zapewnić, że nie jest ono narażone na nadmierne uderzenia lub wstrząsy. Niedostosowanie się do tych zaleceń może spowodować uszkodzenie urządzenia.

Uszkodzenie obwodu czynnika chłodniczego, przy możliwym ulatnianiu się gazu chłodniczego, może spowodować ryzyko eksplozji wywołanej zewnętrznym iskrzeniem lub ogniem.

### W razie przypadkowej nieszczelności

Umożliwić odparowanie materiału poprzez zapewnienie odpowiedniej wentylacji.

### Zachowanie gazu

Gaz chłodniczy jest łatwopalny, więc nie wolno dopuścić, aby miał styczność z gorącymi powierzchniami lub otwartym ogniem. Gaz R600a jest cięższy od powietrza: w przypadku ulatniania się tworzy wysokie stężenie przy podłożu, gdzie wentylacja jest ograniczona.

### Pierwsza pomoc

#### Wdychanie

Osobę narażoną na działanie gazu należy zabrać z zanieczyszczonego obszaru i zaprowadzić w ciepłe, dobrze przewietrzone miejsce.

Narażenie na działanie gazu przez długi okres czasu może spowodować powstanie duszności i możliwość utraty przytomności. W razie potrzeby należy wykonać sztuczne oddychanie, a w najpoważniejszych wypadkach podać tlen pod ścisłym nadzorem lekarskim.

#### Kontakt ze skórą

Istnieje małe prawdopodobieństwo, że sporadyczny kontakt ze skórą jest niebezpieczny. Jeżeli do tego dojdzie, należy dokładnie umyć obszar skóry, który miał kontakt z gazem.

Pryskający lub rozpylony płyn może spowodować odmrożenia. Umyć część ciała, która miała kontakt z gazem, dużą ilością wody i wezwać lekarza, aby udzielił pomocy medycznej w zakresie wszelkich odmrożeń.

#### Kontakt z oczami

Umyć dużą ilością wody, przy szeroko otwartych powiekach i jak najszybciej wezwać lekarza specjalistę.

W każdym wypadku, gdy dojdzie do wdychania lub kontaktu z gazem R600a, zalecamy skonsultowanie się ze swoim lekarzem.

### Troska o środowisko naturalne

#### Wyrzucanie opakowania

Nowa lodówka na czas transportu została zabezpieczona za pośrednictwem odpowiedniego opakowania. Wszystkie użyte materiały można wyrzucić, ponieważ są przyjazne dla środowiska i nadają się do przetworzenia. Prosimy o wkład w ochronę środowiska naturalnego poprzez pozbycie się opakowania w odpowiedni sposób.

#### Złomowanie starej lodówki



Taki symbol na produkcie lub na opakowaniu wskazuje, że produkt ten nie może być traktowany jak odpady domowe. Zamiast tego należy przekazać go do lokalnego punktu zbierania odpadów komunalnych/surowców wtórnych.

Stare urządzenia nadal zawierają pewne resztki osadów. Przyjazna dla środowiska metoda złomowania zapewni możliwość odzyskania i ponownego użycia wartościowych surowców.

Gdy urządzenie osiągnie kres eksploatacji, należy wyciągnąć wtyczkę z gniazda zasilającego. Odciąć przewód zasilający i wyrzucić go razem z wtyczką.

Uniemożliwić korzystanie z drzwi (poprzez zdjęcie uszczelek) lub wymontować drzwi, aby dzieci nie mogły samodzielnie zamknąć się w urządzeniu.

Cykloizopentan, palną substancję nieszkodliwą dla ozonu, stosuje się jako substancję zwiększającą objętość pianki izolacyjnej.

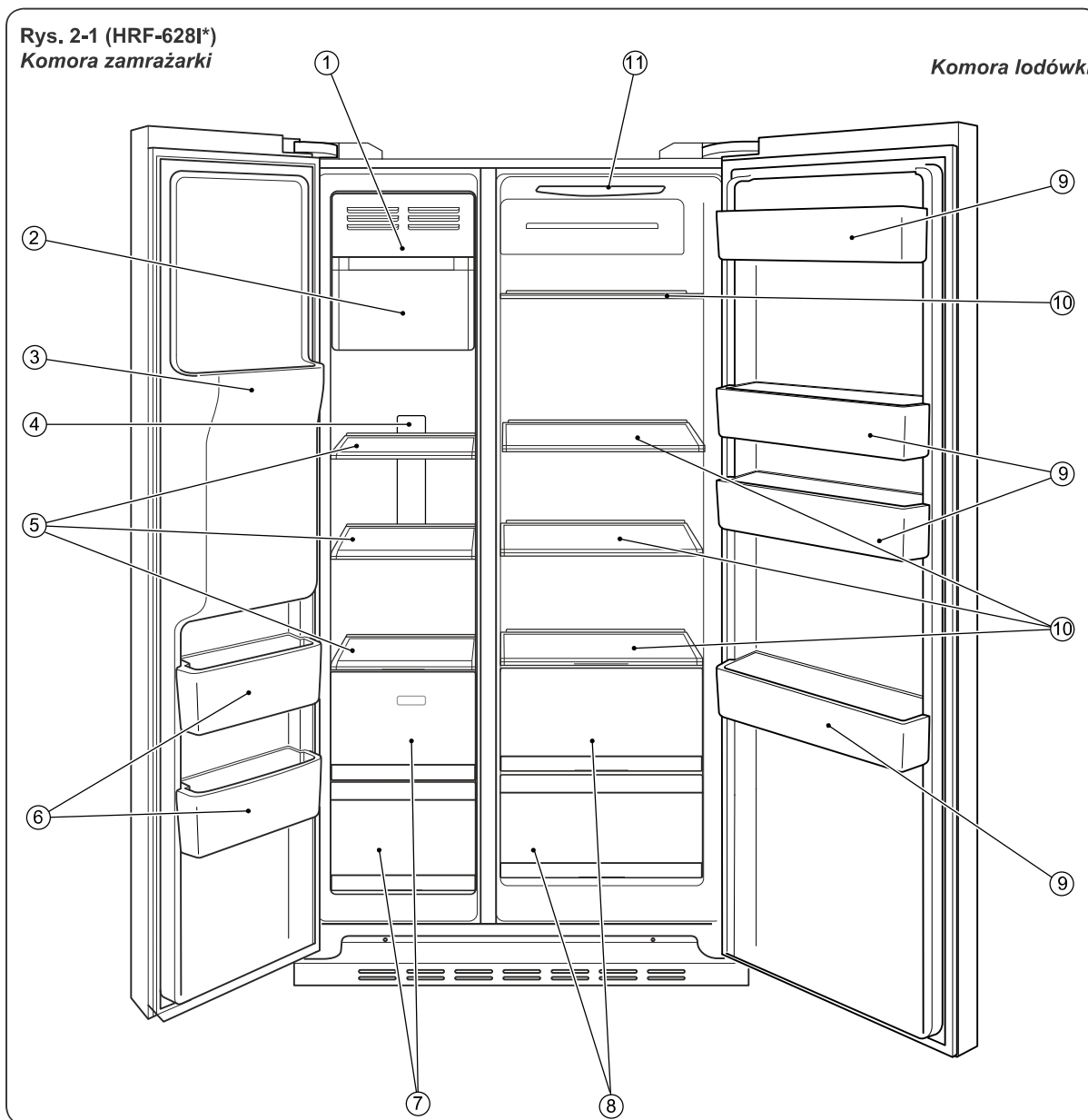
Podczas transportu urządzenia zachować ostrożność, aby nie uszkodzić obwodu chłodzenia.

Zapewniając prawidłowe usunięcie produktu, minimalizowane są potencjalne negatywne konsekwencje dla środowiska naturalnego i zdrowia ludzkiego, które mogłyby wystąpić w przeciwnym wypadku.

Aby otrzymać więcej informacji na temat recyklingu tego produktu należy skontaktować się z lokalnym samorządem, centrum przetwarzania odpadów domowych lub ze sklepem, w którym został zakupiony produkt.

PL

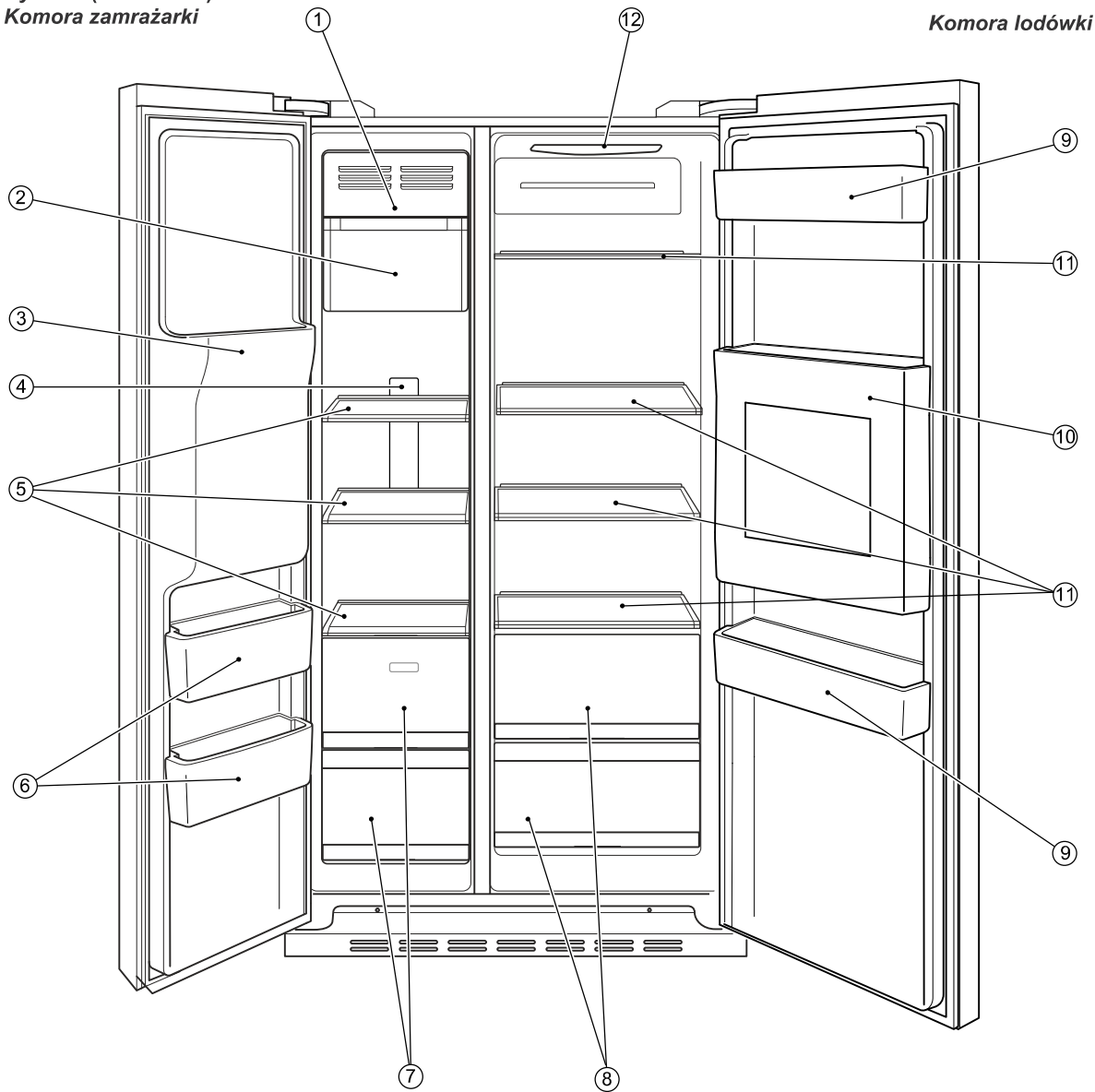
## 2. Informacje na temat lodówki



Lodówka HRF-628I\* (Rys. 2-1) posiada następujące wyposażenie:

- |   |  |
|---|--|
| 1. Półka na lody  | 9. 4 pojemniki w drzwiach lodówki  |
| 2. Pojemnik na lód z kostką (wewnątrz pojemnika)  | 10. 4 półek do przechowywania żywności w lodówce   |
| 3. Dystrybutor wody i lodu  | 11. Oświetlenie LED lodówki  |
| 4. Zamrażarka z oświetleniem LED  | Pozbawiona chlorofluorowęglowodorów i bezszronowa  |
| 5. 3 półki do przechowywania żywności w zamrażarce                                      | Tryby super-freeze (natychmiastowego mrożenia), super-cool (natychmiastowego chłodzenia) i wakacyjny |
| 6. 2 pojemniki w drzwiach zamrażarki  | Automatyczny wyświetlacz temperatury   |
| 7. 2 szuflady zamrażarki (HRF-628I*6)   |  |
| 3 szuflady zamrażarki (HRF-630I*7)  |  |
| 8. 2 szuflady na owoce i warzywa (HRF-628I*6)   |  |
| 1 szuflada z regulacją poziomu wilgotności i 2 szuflady na owoce i warzywa (HRF-630I*7) |  |

Rys. 2-2 (HRF-628A\*)  
Komora zamrażarki



Komora lodówki

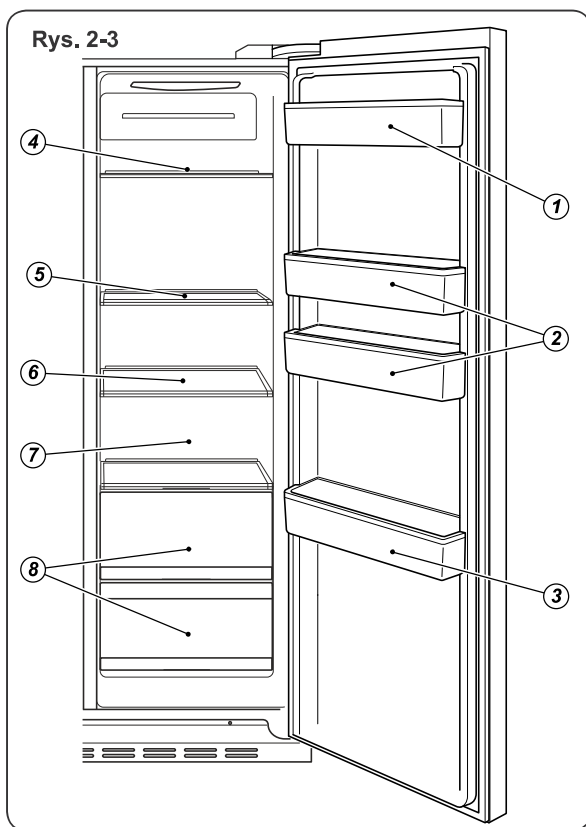
Lodówka HRF-628A\* (Rys. 2-2) posiada następujące wyposażenie:

1. Półka na lody
2. Pojemnik na lód z kostką (wewnątrz pojemnika)
3. Dystrybutor wody i lodu
4. Zamrażarka z oświetleniem LED
5. 3 półki do przechowywania żywności w zamrażarce
6. 2 pojemniki w drzwiach zamrażarki
7. 2 szuflady zamrażarki (HRF-628A\*6)  
3 szuflady zamrażarki (HRF-630A\*7)
8. 2 szuflady na owoce i warzywa (HRF-628A\*6)  
1 szuflada z regulacją poziomu wilgotności i 2 szuflady na owoce i warzywa (HRF-630A\*7)

9. 2 pojemniki w drzwiach lodówki
10. Wewnętrzna pokrywa barku domowego
11. 4 półki do przechowywania żywności w lodówce
12. Oświetlenie LED lodówki

Pozbawiona chlorofluorowęglowodorów i bezszronowa  
Tryby super-freeze (natychmiastowego mrożenia), super-cool (natychmiastowego chłodzenia) i wakacyjny  
Automatyczny wyświetlacz temperatury

PL



## Informacje na temat komory na świeżą żywność

Podczas przechowywania produktów zaleca się pozostawianie między nimi przestrzeni, aby zapewnić właściwy obieg zimnego powietrza. Temperatury w lodówce są nieco wyższe w górnej części i niższe w pobliżu podstawy.

Szybko psujące się produkty spożywcze należy umieszczać w tylnej części urządzenia, gdzie jest najchłodniej.

Sugestie dotyczące przechowywania (Rys. 2-3):

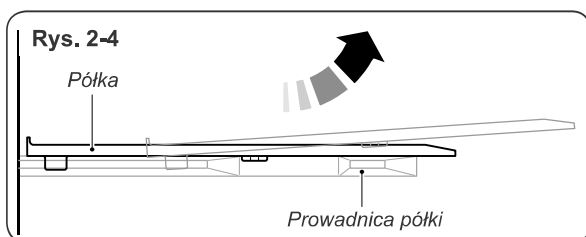
1. Jaja, masło, ser itp.
2. Puszki, pojemniki, przyprawy itp.
3. Napoje i wszystkie rodzaje żywności butelkowanej.
4. Marynowane produkty spożywcze, napoje lub pojemniki.
5. Mięso, drób, ryby i produkty spożywcze w stanie surowym.
6. Produkty mączne, pojemniki, nabiał itp.
7. Wędliny, kielbasa itp.
8. Owoce, warzywa lub surówki.

## Półki

Wysokość półek można regulować w celu dostosowania do potrzeb w zakresie przechowywania.

Podczas wyjmowania artykułów spożywczych z urządzenia nie dojdzie do przypadkowego wyciągnięcia półek.

**▲ Regulując wysokość półki, należy najpierw usunąć znajdujące się na niej produkty spożywcze.**



## Półki

Aby wyjąć półkę, należy odchylić jej przednią część ku górze w taki sposób, aby wyjąć kołki podtrzymujące z bocznych prowadnic (Rys. 2-4) i pociągnąć do siebie. Przytrzymać półkę w pozycji odchylonej, aby umożliwić wysunięcie ograniczników ustalających z bocznych prowadnic.

Podczas ponownego zakładania należy upewnić się, że półka jest dopchnięta do oporu, a ograniczniki ustalające są prawidłowo umiejscowione.

## Oświetlenie

Wewnętrzne oświetlenie LED zapala się po otwarciu drzwi. Na działanie oświetlenia nie ma wpływu żadne z innych ustawień urządzenia.

## Informacje na temat komory zamrażarki

W skład komory zamrażarki wchodzi 2 szuflady, półka na lody, 3 szklane półki oraz 2 półki w drzwiach (Rys. 2-5).

Podobnie jak w przypadku lodówki, pewne miejsca w zamrażarce lepiej nadają się do przechowywania pewnych rodzajów żywności.

Lody i kostki lodu najlepiej przechowywać się na półce na lody lub w tylnej części urządzenia, gdzie jest najzimniej.

Duże/cięższe porcje żywności, jak np. mięsa na pieczeń, najlepiej przechowywać się w szufladach znajdujących się u dołu urządzenia, podczas gdy produkty o mniejszej masie należy przechowywać na półkach - ma to zapobiec uszkodzeniu urządzenia.

Należy zawsze upewnić się, że przechowywana żywność nadaje się do zamrożenia oraz że jest ona odpowiednio przechowywana wewnątrz urządzenia.

- ▲ Prosimy o utrzymywanie odstępu ponad 10 mm pomiędzy umieszczoną żywnością a czujnikiem, aby zapewnić efekt chłodzenia.
- ▲ Podczas pracy lodówki prosimy o utrzymywanie w niej najniższej szuflady, aby zapewnić efekt chłodzenia.

### Półki

Aby wyjąć półkę, należy odchylić jej przednią część ku górze w taki sposób, aby wyjąć kołki podtrzymujące z bocznych prowadnic (Rys. 2-6) i pociągnąć do siebie. Przytrzymać półkę w pozycji odchyłonej, aby umożliwić wysunięcie ograniczników ustalających z bocznych prowadnic.

Podczas ponownego zakładania należy upewnić się, że półka jest dopchnięta do oporu, a ograniczniki ustalające są prawidłowo umiejscowione.

### Oświetlenie

Wewnętrzne oświetlenie LED zapala się po otwarciu drzwi. Na działanie oświetlenia nie ma wpływu żadne z innych ustawień urządzenia.

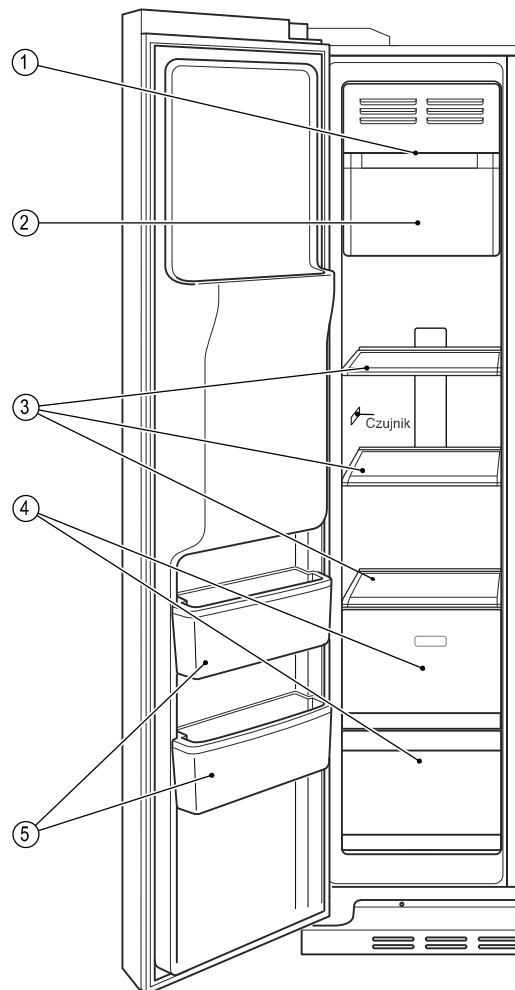
### Rozmrażanie żywności w celach kulinarnych

W przypadku częściowego rozmrożenia lub odmrożenia żywności należy ją możliwie jak najszybciej spożyć, ponieważ rozmrożenie będzie miało wpływ na jej jakość.

- ▲ Przed przyrządzeniem należy zawsze upewnić się, że żywność została dokładnie odmrożona oraz że nie pozostają na niej kryształki lodu. Ma to szczególne znaczenie w przypadku drobiu, ponieważ może to być niezwykle szkodliwe dla zdrowia.

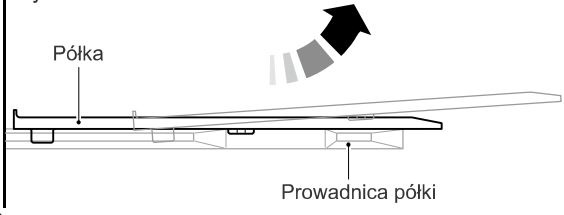
W przypadku odmrażania gotowych posiłków należy zawsze przestrzegać instrukcji dotyczących odmrażania znajdujących się na opakowaniu - zawsze najlepiej sprawdzają się wytyczne producentów, ponieważ przyrządzanie niektórych mrożonych produktów spożywczych należy rozpocząć od stanu zamrożenia.

Rys. 2-5

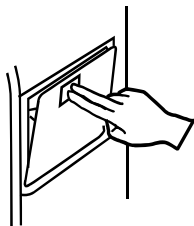


- |                                     |  |
|-------------------------------------|--|
| 1. Półka na lody                    | 4. Szuflady do przechowywania żywności   |
| 2. Pojemnik na lód                  | 5. Pojemniki w drzwiach lodówki żywności |
| 3. Półki do przechowywania żywności |  |

Rys. 2-6



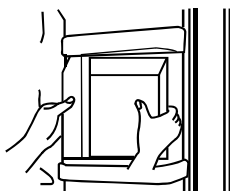
Rys. 2-7



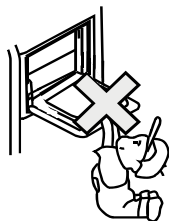
Rys. 2-8



Rys. 2-9



Rys. 2-10



## Kostkarka do lodu/dystrybutor wody

### Środki ostrożności

- NIGDY nie narażać rury doprowadzającej wodę na temperatury poniżej 0°C, aby uniknąć zamarznięcia.
- Sprawdzić szczelność rurki, przepłukując ją wodą aż do uzyskania równego strumienia.
- Po ustawieniu urządzenia w wybranym miejscu należy upewnić się, że rurka doprowadzająca wodę jest ułożona w taki sposób, aby nie doszło do jej uszkodzenia poprzez zagięcia i supły oraz nie ma kontaktu ze źródłami ciepła.
- Produkcja lodu rozpoczyna się, gdy temperatura wewnątrz zamrażarki osiągnie wartość -12°C.
- NIE WOLNO nadmiernie eksploatować kostkarki do lodu. W przypadku prób zbyt częstego używania przycisku kostkarki przejdzie ona w tryb wyłączenia. Jest to całkowicie normalna sytuacja, wymagająca odczekania jednej godziny przed próbą ponownego użycia kostkarki.
- NIE WOLNO używać delikatnych lub kruchych wyrobów szklanych.
- NIE WOLNO dotykać rękoma ani żadnymi narzędziami ujścia kostkarki, aby uniknąć obrażeń lub uszkodzenia.
- NIE WOLNO ręcznie dolewać wody - jest to automatyczny układ doprowadzania wody. Jeżeli kostkarka została włączona, ale urządzenie nie zostało podłączone do wody, kostkarka nie zadziała.

### Jak działa kostkarka do lodu

Wydajność kostkarki wynosi 1 kg/24 godziny (wartość ta jest wynikiem testów przeprowadzonych w laboratorium w temperaturze otoczenia 32°C). W trakcie codziennego użytkowania urządzenia wydajność kostkarki może być nieco inna z uwagi na różną temperaturę otoczenia i ciśnienie wody.

Nie wolno przechowywać kostek lodu wytworzonych w ramach pierwszej porcji po pierwszym uruchomieniu urządzenia lub po długiej przerwie. Takie kostki należy wyrzucić.

Aby umożliwić całkowite napełnienie tacki na kostki lodu, należy okresowo ręcznie poukładać te kostki.

Niektóre kostki lodu mogą przywrzeć do siebie po spadnięciu do pojemnika przechowującego - należy je rozdzielić, aby umożliwić maksymalne wykorzystanie pojemnika na lód.

### Barek domowy

- Aby otworzyć barek, należy nacisnąć przycisk na komorze (Rys. 2-7). Komora barku otwiera się. Barku domowego można używać bez otwierania drzwi urządzenia, co zapewnia oszczędność energii. Po otwarciu barku zapala się oświetlenie w lodówce.
  - W barku domowym można umieszczać napoje i inne produkty spożywcze (Rys. 2-8).
  - Nie wolno zdejmować wewnętrznej pokrywy domowego barku (Rys. 2-9). W przypadku zdjęcia tej pokrywy barek nie będzie działał.
  - Barek domowy należy trzymać z dala od dzieci (Rys. 2-10). W przeciwnym wypadku może dojść do ich zranienia i uszkodzenia barku.
- ⚠ Barek domowy należy możliwie jak najszybciej zamykać, aby utrzymać niską temperaturę wewnątrz urządzenia. Jeżeli drzwiczki nie zostaną odpowiednio zamknięte, włączy się system ostrzegawczy.

## Pierwsze użycie kostkarki do lodu/ dystrybutora wody

- ▲ **NIE WOLNO** spożywać pierwszych siedmiu (w przybliżeniu) szklanek wody, ponieważ może w niej znajdować się kurz i/lub zanieczyszczenia pochodzące z rur doprowadzających wodę.

Zapewni to przeczystczenie rur. W razie wątpliwości należy nadal używać dystrybutora aż do uzyskania strumienia czystej wody.

## Hałas w trakcie wytwarzania lodu

Proces wytwarzania lodu może generować hałas. Można usłyszeć lód spadający do komory przechowywania. Jest to całkowicie normalna sytuacja.

## Przechowywanie lodu przez dłuższe okresy czasu

Lód przechowywany przez długi okres czasu może stać się matowy i mieć dziwny zapach. Zalecamy, aby taki lód usunąć i wyczyścić pojemnik. Pozostawić tackę, aby dokładnie wyschła i wychłodzić ją przed włożeniem do urządzenia, aby zapobiec przywieraniu lodu.

## Zapobieganie wytwarzaniu lodu

Jeżeli nie ma potrzeby wytwarzania lodu przez dłuższy okres czasu (tj. zimą), można wyłączyć zawór między źródłem wody a urządzeniem. Zaleca się, aby oczyścić pojemnik na lód, dokładnie go osuszyć i włożyć z powrotem do urządzenia - zapobiegnie to powstawaniu jakichkolwiek zapachów.

## Wkładanie i wyjmowanie szuflady do przechowywania kostek lodu

Aby wyjąć pojemnik na lód, należy unieść środkową część szuflady, a następnie wyciągnąć ją, wyjmując cały zespół (Rys. 2-11).

Uwaga: para wodna może ulec skropleniu i przymrozić pojemnik na lód w miejscu jego zamontowania.

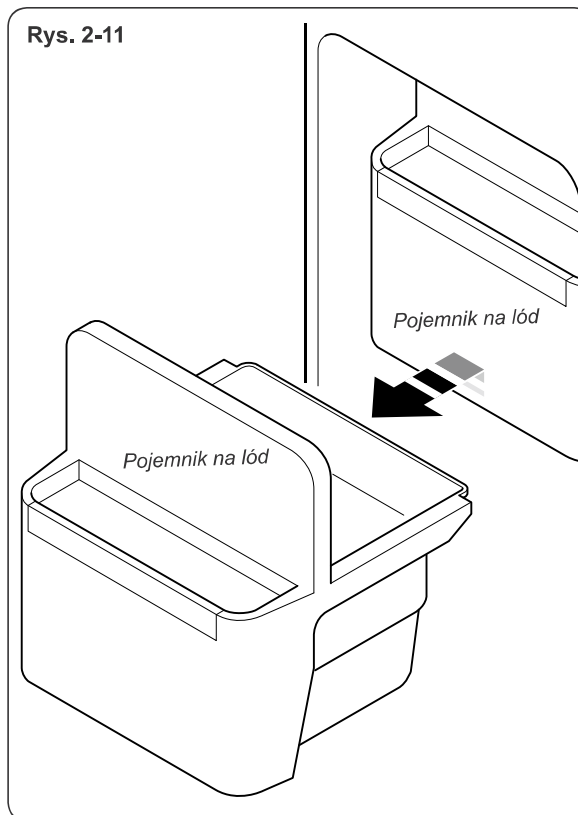
Jeżeli pojemnika na lód nie można w łatwy sposób włożyć, należy go wyjąć i obrócić mechanizm krzywkowy o 90° w prawo (Rys. 2-12). Zamontować ponownie pojemnik, upewniając się, że zatrzask na tacce pasuje do otworu w półce.

## Jeżeli kostkarka do lodu nie działa prawidłowo

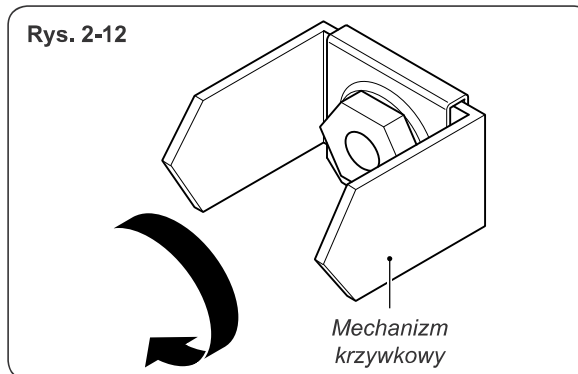
Objętość pojemnika na lód jest równa ilości kostek lodu, jaką urządzenie może wytworzyć jednego dnia. Od czasu do czasu niewielka ilość kostek lodu może pozostać wewnątrz pojemnika. Jeżeli dojdzie do zaklinowania lodu, spowoduje to nieprawidłowe działanie kostkarki. Aby uniknąć tego problemu, wyjąć pojemnik na lód i przemieszczać kostki lodu oraz usunąć te kostki, które nie dają się rozdzielić.

- ▲ Należy zawsze utrzymywać czystość i drożność ujścia kostkarki.
- ▲ Wyjęcie pojemnika na lód pozwoli na uzyskanie dodatkowej przestrzeni na przechowywanie żywności. Prosimy o zamontowanie dostarczonego dodatkowo uchwytu na butelki nad wejściem w drzwiach zamrażarki w celu łatwego przechowywania żywności (Rys. 2-13).

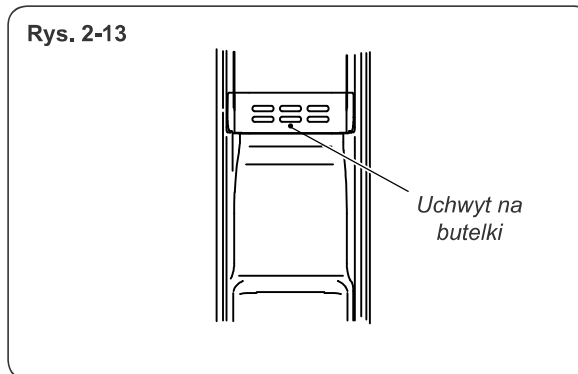
Rys. 2-11



Rys. 2-12



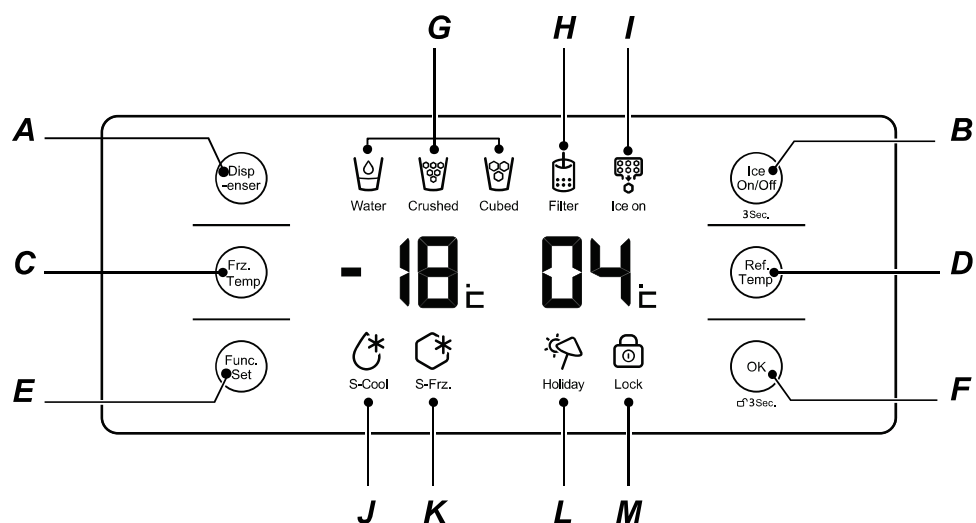
Rys. 2-13



PL

## Obsługa lodówko-zamrażarki

Rys. 2-14



A – przycisk wyboru dystrybutora

E – przycisk wyboru funkcji

J – ikona szybkiego chłodzenia

B – przycisk włączania/wyłączania kostkarki do lodu

F – przycisk zatwierdzania funkcji

K – ikona szybkiego zamrażania

C – przycisk ustawiania temperatury w zamrażarce

G – ikona stanu dystrybutora

L – ikona trybu wakacyjnego

D – przycisk ustawiania temperatury w lodówce

H – ikona wymiany filtra

M – ikona blokady

I – ikona włączenia kostkarki do lodu

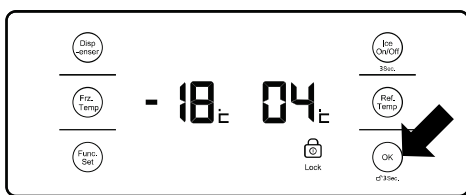
Na rys. 2-14 przedstawiono cyfrowy wyświetlacz dystrybutora wody i lodu oraz przyciski funkcyjne.

### ▲ OSTRZEŻENIE!

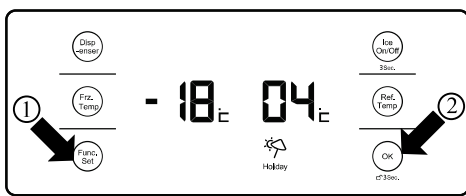
Nie ma możliwości zmiany ustawień temperatury urządzenia w trybie szybkiego zamrażania lub w trybie blokady.

W przypadku podjęcia próby zmiany ustawień w tych trybach specjalna ikona funkcji, znajdująca się obok ikony wyświetlacza temperatury w zamrażarce, zacznie migać wraz z dźwiękiem sygnału, informującym o braku możliwości regulacji temperatury w tym momencie.

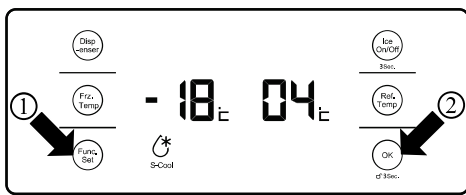
Rys. 2-15



Rys. 2-16



Rys. 2-17



### Tryb blokady

Funkcja ta blokuje ustawienia temperatury i funkcji. Po uruchomieniu blokady jej ikona zacznie migać i włączy się sygnał dźwiękowy.

#### W celu włączenia blokady

Nacisnąć i przytrzymać przez 3 sek. przycisk "OK" (Rys. 2-15). Włączy się ikona BLOKADY i lodówka zostanie zablokowana.

#### W celu wyłączenia blokady

Nacisnąć i przytrzymać przez 3 sek. przycisk "OK". Ikona BLOKADY wyłączy się i lodówka zostanie odblokowana.

### Tryb wakacyjny

▲ OSTRZEŻENIE ! Przed wybraniem trybu wakacyjnego należy usunąć z komory lodówki wszystkie produkty spożywcze i napoje, ponieważ spożywanie lub picie po krótkim okresie czasu może być niebezpieczne.

Funkcja ta umożliwia pozostawienie komory lodówki w stanie nieużywanym przy jednoczesnym normalnym działaniu komory zamrażarki. W trybie tym temperatura w lodówce zostanie automatycznie ustawiona na wartość 17°C.

#### Aby włączyć

1. Naciskać przycisk "FUNC.SE" aż do wybrania trybu wakacyjnego (Rys. 2-16).
2. Teraz nacisnąć przycisk "OK": włączy się ikona trybu WAKACYJNEGO.

#### Aby wyłączyć

1. Naciskać przycisk "FUNC.SE" aż do wybrania trybu wakacyjnego.
2. Teraz nacisnąć przycisk "OK": ikona trybu WAKACYJNEGO wyłączy się.

### Tryb szybkiego chłodzenia

Celem tej funkcji jest szybkie schłodzenie żywności, aby pozostała możliwie jak najdłużej w stanie świeżości. Użyć tej funkcji za każdym razem, gdy do komory lodówki wkładana jest duża ilość żywności.

Tryb szybkiego chłodzenia wyłączy się po osiągnięciu ustawionej temperatury.

#### Aby włączyć

1. Naciskać przycisk "FUNC.SE" aż do wybrania trybu szybkiego chłodzenia (Rys. 2-17).
2. Teraz nacisnąć przycisk "OK": włączy się ikona S-COOL.

#### Aby wyłączyć

1. Naciskać przycisk "FUNC.SE" aż do wybrania trybu szybkiego chłodzenia.
2. Teraz nacisnąć przycisk "OK": ikona S-COOL wyłączy się. Tryb szybkiego chłodzenia jest teraz wyłączony.

## Tryb szybkiego zamrażania

Funkcja ta służy do całkowitego zamrożenia żywności w najkrótszym możliwym czasie, aby utrzymać w niej substancje odżywcze.

Tryb szybkiego zamrażania wyłączy się po osiągnięciu ustawionej temperatury.

Użyć tej funkcji za każdym razem, gdy do komory zamrażarki wkładana jest duża ilość żywności. Zalecamy, aby tryb szybkiego zamrażania włączyć 12 godzin wcześniej, ponieważ obniży to temperaturę w komorze zamrażarki przed umieszczeniem w niej żywności.

### Aby włączyć

1. Naciskać przycisk "FUNC.SE" aż do wybrania trybu szybkiego zamrażania (Rys. 2-18).
2. Teraz nacisnąć przycisk "OK": włączy się ikona S-Frz.

### Aby wyłączyć

1. Naciskać przycisk "FUNC.SE" aż do wybrania trybu szybkiego zamrażania.
2. Teraz nacisnąć przycisk "OK": ikona S-Frz. wyłączy się. Tryb szybkiego zamrażania jest teraz wyłączony.

## Regulacja temperatury w komorze na świeżą żywność

Nacisnąć przycisk "Ref. Temp" (Rys. 2-19). Wyświetlacz temperatury w lodówce zacznie migać, co oznacza, że lodówka znajduje się w trybie ustawiania temperatury.

Nacisnąć przycisk "Ref. Temp", aby po kolei poruszać się w zakresie temperatur lodówki od 9°C do 1°C.

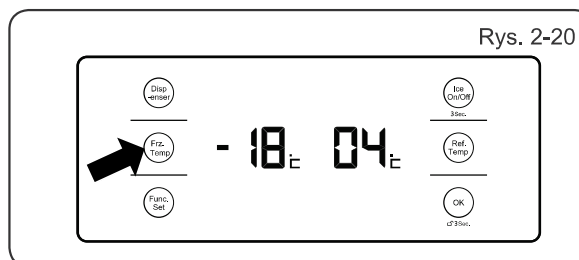
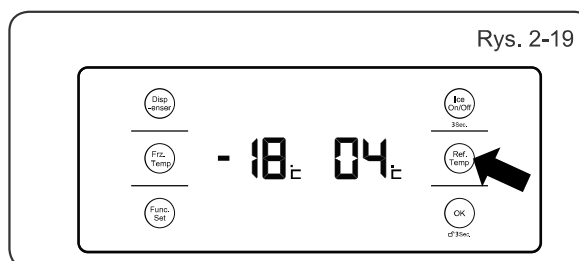
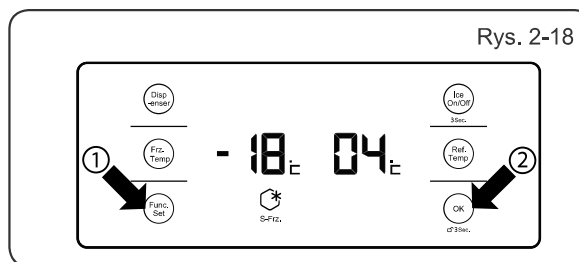
Bez dokonywania dalszych czynności obsługowych w ciągu 5 sekund miganie ustanie i temperatura zostanie ustawiona. Temperatura nie zmieni się również w przypadku naciśnięcia jakiegokolwiek innego przycisku podczas migania.

## Regulacja temperatury w zamrażarce

Nacisnąć przycisk "Frz. Temp" (Rys. 2-20). Wyświetlacz temperatury w zamrażarce zacznie migać, co oznacza, że komora zamrażarki znajduje się w trybie ustawiania temperatury.

Nacisnąć przycisk "Frz. Temp", aby z kolei poruszać się w zakresie temperatur zamrażarki od -14°C do -24°C.

Bez dokonywania dalszych czynności obsługowych w ciągu 5 sekund miganie ustanie i temperatura zostanie ustawiona. Temperatura nie zmieni się również w przypadku naciśnięcia jakiegokolwiek innego przycisku podczas migania.



## Obsługa dystrybutora wody i lodu

W tej lodówko-zamrażarce dostępne są trzy opcje - chłodna woda, kruszony lód i lód w kostkach.

Aby uniknąć rozlania, przed dokonaniem wyboru należy ZAWSZE upewnić się, że szklanka jest trzymana pionowo w stronę dystrybutora. Pobierając lód z dystrybutora, zalecamy używanie filiżanek o szerokości 80 mm lub większej.

## Ustawienie włączenia/wyłączenia kostkarki do lodu

Przy pierwszym uruchomieniu lodówki kostkarka jest domyślnie ustawiona na wyłączoną.

### Aby włączyć

- Nacisnąć i przytrzymać przez 3 sek przycisk "ICE MAKER ON/OFF" (kostkarka do lodu wł./wył.). Włączy się ikona włączenia kostkarki do lodu i kostkarka zacznie działać.

### Aby wyłączyć

- Nacisnąć przycisk "ICE MAKER ON/OFF" (KOSTKARKA DO LODU WŁ./WYŁ.) przez 3 sek. Ikona włączenia kostkarki do lodu wyłączy się i kostkarka przestanie działać.

WAŻNE: Przed wyłączeniem kostkarki należy upewnić się, że jej zbiornik został opróżniony, ponieważ lód stopnieje.

## Nalewanie chłodnej wody

- Przytrzymać szklankę przy dystrybutorze.
- Nacisnąć przycisk wyboru dystrybutora w celu wybrania chłodnej wody. Zaświeci się ikona WATER (WODA).
- Lekko przycisnąć szklanką przełącznik dźwigniowy, a chłodna woda wleje się do szklanki.

## Napełnianie kruszonym lodem

- Przytrzymać szklankę przy dystrybutorze.
- Nacisnąć przycisk wyboru dystrybutora w celu wybrania kruszonego lodu. Zaświeci się ikona CRUSHED (KRUSZONY).
- Lekko przycisnąć szklanką przełącznik dźwigniowy, a kruszony lód wpadnie do szklanki.

## Napełnianie kostkami lodu

- Przytrzymać szklankę przy dystrybutorze.
- Nacisnąć przycisk wyboru dystrybutora w celu wybrania kostek lodu. Zaświeci się ikona CUBED (KOSTKI).
- Lekko przycisnąć szklanką przełącznik dźwigniowy, a kostki lodu wpadną do szklanki.

## Wymiana filtra wody

Jeżeli włączy się ikona wymiany filtra, oznacza to, że filtr wody wymaga wymiany (co ok. 6 miesięcy). Po zakończeniu wymiany nacisnąć i przytrzymać przez 3 sek. przycisk wyboru dystrybutora. Ikona wymiany filtra zgaśnie.

## Bezpieczeństwo

- ▲ NIE WOLNO używać zbyt głębokich, wąskich, kruchych lub delikatnych szklanek.
- Trzymać szklankę możliwie jak najbliżej dystrybutora, aby uniknąć rozlania wody, wypadnięcia lodu lub zatkania dystrybutora kostek lodu.
- Po upływie pięciu sekund od ostatniego podania lodu lub wody kłapka dystrybutora zamknie się, wydając charakterystyczny dźwięk "phutt". Po napełnieniu szklanki i zwolnieniu przełącznika dźwigniowego przytrzymać szklankę jeszcze przez kolejne 2-3 sek. (w przypadku lodu), 1-2 sek. (w przypadku wody), ponieważ może zostać podana dodatkowa ilość wody lub lodu.
- Należy regularnie czyścić dystrybutor.
- W celu utrzymania jakości wody od czasu do czasu konieczna będzie wymiana filtra. Zalecamy, aby filtr wody był wymieniany co 6 miesięcy. Jeżeli jednak woda wykazuje oznaki pogorszenia jakości, pod względem oceny wzrokowej lub smakowej, wówczas filtr należy wymienić wcześniej.
- Jeżeli ostatnią wybraną opcją był kruszony lód, może on wpaść do szklanki zamiast kostek lodu.
- ▲ NIGDY NIE WOLNO umieszczać napojów ani żywności w puszkach wewnątrz dystrybutora, ponieważ spowoduje to uszkodzenie mechanizmu kruszącego.
- ▲ NIE WOLNO dotykać dystrybutora ani zdejmować pokrywy kostkami do lodu, aby zapobiec przypadkowym obrażeniom lub uszkodzeniu urządzenia.
- Po pierwszym uruchomieniu urządzenia lub po długiej przerwie w eksploatacji nie należy spożywać pierwszego zasobu wody (ok. siedmiu szklanek) i kostek lodu (ok. 20 szt.). Należy się ich odpowiednio pozbyć.
- Nie wolno umieszczać w szufladzie do przechowywania kostek lodu, które nie zostały wytworzone przez kostkarkę, aby zapobiec uszkodzeniu mechanizmu.
- Zbyt mały zasób wody może spowodować wytwarzanie małych kostek lodu. Nadmierna ilość wody może spowodować wytwarzanie większych kostek lodu, które mogą przywierać do siebie, powodując nieszczelność i zatkanie dystrybutora. Należy wyregulować ustawienie kurka dopływu wody lub skontaktować się z inżynierem serwisu.

## Automatyczne rozmrażanie

Nie ma potrzeby rozmrażania lodówki, ponieważ urządzenie posiada funkcję automatycznego rozmrażania.

- ▲ W celu przyspieszenia procesu rozmrażania NIE WOLNO używać urządzeń mechanicznych - chyba, że są one z rodzaju zalecanego przez producenta.

## Funkcja alarmu

W przypadku pozostawienia otwartych drzwi przez długi okres czasu lub nieodpowiedniego ich zamknięcia lodówko-zamrażarka wyda sygnał dźwiękowy w regularnych odstępach czasu, aby przypomnieć o odpowiednim zamknięciu drzwi.

## Wyłączenie wyświetlacza

Po upływie 30 sek. wyświetlacz cyfrowy wyłączy się aż do momentu ponownego użycia lodówko-zamrażarki.

### 3. Wskazówki dotyczące przechowywania żywności

---

#### Wskazówki dotyczące przechowywania świeżej żywności

- Utrzymywać w lodówce temperaturę nieprzekraczającą 5°C.
- Daty "najlepiej spożyć przed" i "okres przydatności do spożycia". Żywność oznaczona datą "okres przydatności do spożycia" psuje się dość szybko. Spożycie po przekroczeniu tej daty może być niebezpieczne. Trwałość żywności oznaczonej datą "najlepiej spożyć przed" jest większa. Jej spożycie powinno być bezpieczne, jednak po upływie tej daty jej jakość może nie być najwyższa.
- Należy upewnić się, że żywność, która została przyrządzona i wymaga chłodzenia, zanim zostanie umieszczona w lodówko-zamrażarce ma temperaturę pokojową. Upewnić się, że żywność ta jest przechowywana w odpowiednich pojemnikach.
- Zanim żywność będzie przechowywana w lodówce powinna zostać umyta i osuszona.
- Przy umieszczaniu niektórych produktów spożywczych w lodówce lepiej jest pozostawić je w oryginalnym opakowaniu producenta. W przypadku rozpakowania żywności zaleca się jej ponowne zapakowanie, aby uniemożliwić odparowanie wody. Niektóre owoce i warzywa pozostawione w opakowaniu utrzymują świeżość i nie przybierają zapachu produktów spożywczych.
- Żywność przechowywaną w woreczkach lub pojemnikach można opisywać.
- Produkty spożywane każdego dnia powinny być przechowywane na przedniej części półki.
- Należy upewnić się, że produkty spożywcze są przechowywane w określonym porządku (świeże mięso ze świeżym mięsem, nabiał z nabiałem), aby uniknąć przenoszenia smaków i wzajemnego zanieczyszczenia. Świeże mięso należy przechowywać w dolnej części lodówki, aby zapobiec możliwości kapania na nieprzyrządzoną żywność. Pozostałe produkty spożywcze należy przechowywać nad świeżym mięsem.
- Podczas przechowywania produktów w części przeznaczonej na świeżą żywność należy zawsze upewnić się, czy zapewniona jest odpowiednia ilość przestrzeni dla obiegu powietrza. Pomoże to utrzymać okres trwałości żywności.
- Podczas przechowywania żywności w lodówce należy upewnić się, czy nie znajduje się ona zbyt blisko tylnej ściany, aby uniknąć zamrożenia.
- W przypadku rzodkiewki i innych warzyw korzennych sugeruje się odcięcie liści. Pozwoli to na utrzymanie substancji odżywczych w korzeniu i nie pochłanianie ich przez liście.
- Umieścić zamrożone produkty spożywcze w części przeznaczonej na świeżą żywność i pozostawić je do odmrożenia. Niska temperatura w lodówce redukuje proces tworzenia się bakterii i przedłuża okres trwałości żywności.
- Niektóre produkty spożywcze, takie jak cebule, czosnek, banany i warzywa korzenne, lepiej przechowywać w temperaturze pokojowej niż w lodówce.
- W celu przechowania przez dłuższy okres czasu melony, ananasy i banany mogą po przyrządzeniu trafić bezpośrednio do zamrażarki.
- Odpowiednie zapakowanie świeżej żywności, z uwzględnieniem właściwej temperatury i higieny, poprawi jakość tej żywności przechowywanej w urządzeniu.
- W celu przykrycia świeżych produktów spożywczych bez opakowania należy używać plastikowych woreczków, folii aluminiowej lub innych opakowań do żywności, aby zapobiec przenoszeniu smaków i zanieczyszczeniu.
- Przed przechowywaniem produktów w multipakach (tj. jogurtów) należy usunąć nadmiar opakowania.
- ⚠ **NIGDY NIE WOLNO** przechowywać wewnątrz urządzenia substancji palnych, lotnych lub wybuchowych.
- Napoje o wysokiej zawartości alkoholu należy przechowywać pionowo w szczelnych butelkach.
- Wrażliwe produkty spożywcze należy przechowywać w najchłodniejszej części urządzenia.
- Nie należy próbować zbyt często otwierać drzwi.
- Należy ustawić termostat, aby upewnić się, że produkty spożywcze są odpowiednio chłodzone; należy próbować unikać zamrażania w lodówce. Skorzystanie z termometru pomoże w ocenie poziomu wychłodzenia wewnątrz urządzenia. Należy umieścić go w szklance wody i pozostawić na kilka godzin wewnątrz urządzenia, aby uzyskać wiarygodny odczyt.
- Niektóre produkty spożywcze zawierają naturalne oleje i kwasy (np. kwas cytrynowy), które w przypadku rozlania mogą uszkodzić - upewnić się, że produkty te są odpowiednio przechowywane.
- Nieprzyjemne zapachy wewnątrz lodówki oznaczają, że coś się wylało i konieczne jest umycie. Umyć wnętrze urządzenia ciepłą wodą z wodorowęglanem sodu i usunąć większość plam (patrz "Czyszczenie i konserwacja").
- Należy pamiętać, aby zawsze przed wyjazdem na dłuższe wakacje usunąć z urządzenia produkty łatwo psujące się.

## Wskazówki dotyczące mrożenia żywności

- Podobnie jak w przypadku świeżej żywności, odpowiednie opakowanie, właściwa temperatura i higiena żywności poprawi jakość zamrażanych produktów.
- Należy unikać umieszczania w zamrażarce gorących potraw. Najpierw pozostawić je do ostygnięcia, aż osiągną temperaturę pokojową.
- Upewnić się, że wszystkie produkty spożywcze przeznaczone do mrożenia są wysokiej jakości i nadają się do zamrożenia.
- Do przechowywania żywności używać bezwonnego i hermetycznego materiału opakowaniowego (jak np. plastikowe woreczki), aby możliwe było mieszanie różnych produktów bez wpływu na ich jakość. Upewnić się, że materiał jest hermetyczny. Nieszczelne opakowanie spowoduje liofilizację produktów i utratę pożytecznych witamin.
- Należy utrzymywać powierzchnię opakowania w suchym stanie - zapobiegnie to wzajemnemu przywarciu opakowań.
- Oznaczyć opakowania rodzajem żywności, jaka się w nich znajduje oraz datą przechowywania.
- Żywność należy zamrażać szybko, więc kiedy tylko możliwe najlepiej mrozić małe porcje i zapewnić, że przed przechowywaniem mają możliwie jak najniższą temperaturę. Zalecana maksymalna masa każdej porcji to 2,5 kg.
- Żywność, która jest świeża, należy utrzymywać z dala od żywności już zamrożonej. Jeżeli mrożenie świeżej żywności jest konieczne każdego dnia, należy upewnić się, że jest ona w małych porcjach, aby zapobiec takiej sytuacji.
- Nie wolno przekraczać maksymalnego wsadu do zamrożenia - który jest podany jako 10 kg/24 godziny (szczegóły znajdują się na etykiecie danych).
- Po zewnętrznej stronie opakowania należy napisać datę przydatności do spożycia oraz nazwę produktu spożywczego, aby móc mieć pewność co do rodzaju produktu i bezpieczeństwa jego spożycia.
- W razie potrzeby wyjąć żywność z zamrażarki w celu odmrożenia. Odmrożonych produktów spożywczych nie można ponownie zamrażać, chyba że zostały przyrządzone.
- Nie umieszczać jednorazowo zbyt dużej ilości świeżej żywności w zamrażarce. Mogłoby to przekroczyć jej wydajność chłodzenia (patrz "Dane techniczne").
- W przypadku przechowywania zamrożonych produktów w celach handlowych prosimy o przestrzeganie poniższych wytycznych:
  - Należy zawsze przestrzegać wytycznych producentów pod względem długości przechowywania żywności. Nie wolno przekraczać tych wytycznych!
  - Należy próbować zachować możliwie jak najkrótszy okres czasu między zakupem a przechowywaniem, aby zachować jakość żywności.
  - Należy kupować żywność mrożoną, która była przechowywana w temperaturze  $-18^{\circ}\text{C}$  lub niższej.
  - Należy unikać kupowania produktów spożywczych pokrytych lodem lub szronem na opakowaniu. Wskazuje to, że produkty te mogły zostać częściowo odmrożone i w pewnym momencie ponownie zamrożone - wzrosty temperatury mają wpływ na jakość żywności.
  - W przypadku odcięcia zasilania lub usterki lodówki/zamrażarki przez jakikolwiek okres czasu przekraczający 5 godzin konieczne może być wyjęcie żywności z zamrażarki i w miarę możliwości przechowanie w innej, działającej zamrażarce lub w zimnym, higienicznym miejscu (tj. garażu lub przybudówce) aż do przywrócenia zasilania lub naprawy urządzenia. Aby nie dopuścić do nadmiernego wzrostu temperatury żywności należy przechowywać w lodówce turystycznej lub pozawijając warstwami materiału izolującego, jak np. gazeta, aby pomóc w utrzymaniu temperatury. Ważne jest, aby każdy odmrożony produkt został spożyty lub przyrządzony i zaraz potem ponownie zamrożony (jeżeli się do tego nadaje), aby uniknąć ryzyka dla zdrowia.

## 4. Instalacja

### Ustawienie urządzenia

#### Wybór właściwego miejsca

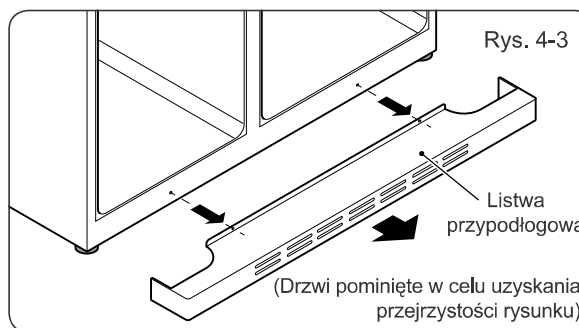
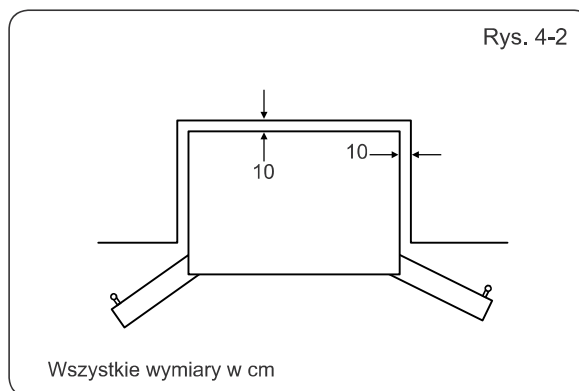
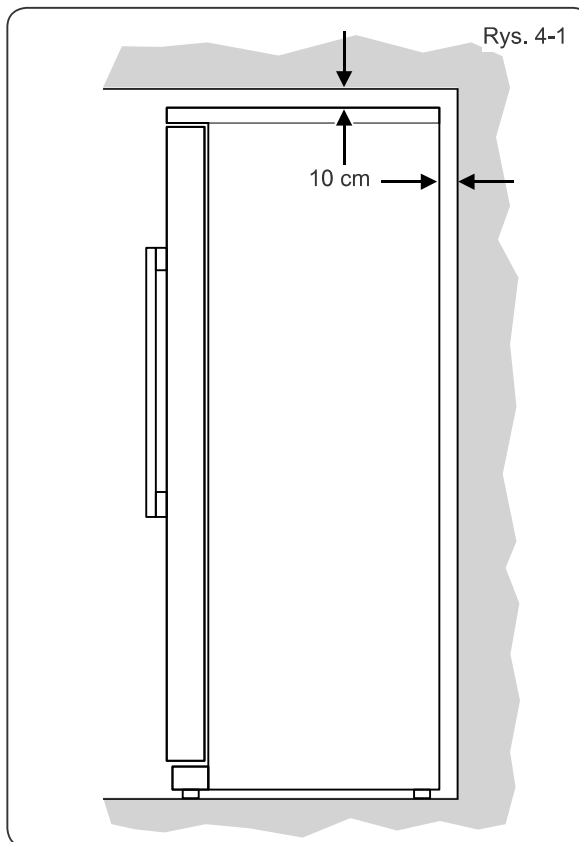
Urządzenie to należy zainstalować w suchym i dobrze przewietrzanym pomieszczeniu. W celu zapewnienia odpowiedniej wentylacji należy upewnić się, że między lodówką a zabudową kuchni ze wszystkich stron występuje odstęp co najmniej 10 cm (Rys. 4-1). Wszelkie szafki znajdujące się nad urządzeniem muszą być zawieszane w odstępnie 10 cm, aby umożliwić wystarczającą wentylację.

W przypadku ustawienia lodówki w narożniku należy pozostawić wystarczającą ilość miejsca na otwieranie drzwi i wyjęcie półek (Rys. 4-2).

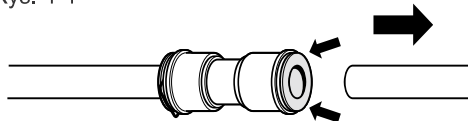
Urządzenie powinno znajdować się w odległości co najmniej 100 mm od kuchenki elektrycznej lub gazowej oraz w odległości 300 mm od pieca węglowego lub olejowego. Jeżeli nie ma takiej możliwości, należy zapewnić zastosowanie odpowiedniej izolacji.

Należy unikać wystawiania urządzenia na bezpośrednie działanie światła dziennego oraz źródeł ciepła (jak np. kaloryfery, grzejniki lub kuchenki).

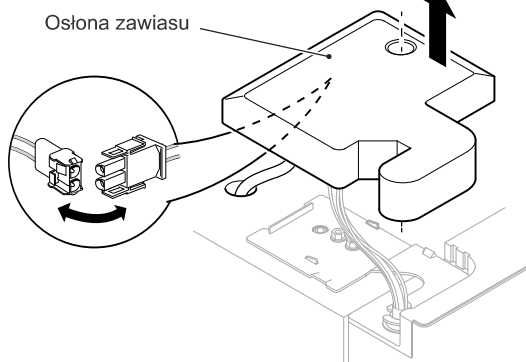
Jeżeli urządzenie znajduje się w zimnym otoczeniu (jak np. szopa, przybudówka lub garaż), będzie to miało wpływ na jego działanie. Urządzenie może nie działać prawidłowo i może to spowodować zepsucie żywności. Zalecana jest jednolita temperatura otoczenia wynosząca 10°C lub więcej.



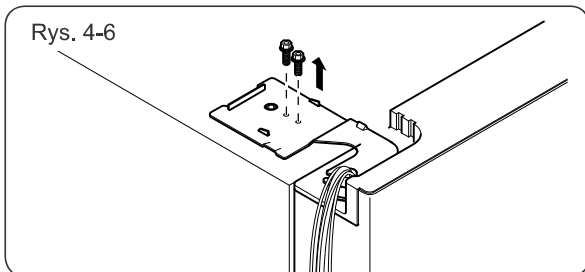
Rys. 4-4



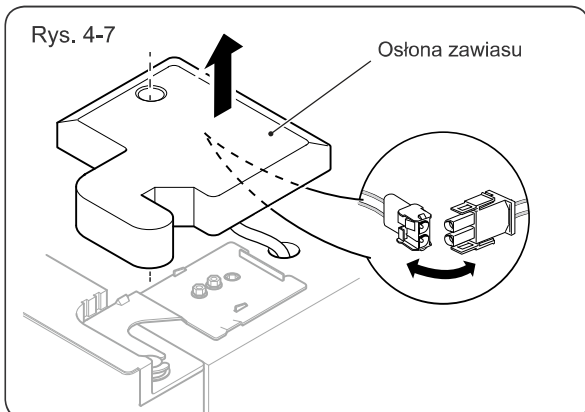
Rys. 4-5



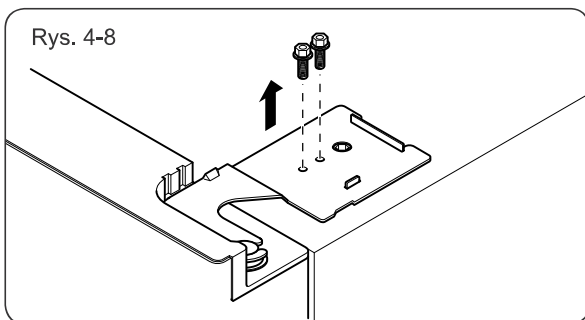
Rys. 4-6



Rys. 4-7



Rys. 4-8



## Demontaż i montaż drzwi

- ▲ Jeżeli znajdzie potrzeba demontażu drzwi lodówki, prosimy o postępowanie zgodnie z poniższymi instrukcjami demontażu i montażu drzwi.
- ▲ Dla własnego bezpieczeństwa i w celu wykonania poniższych prac sugerowana jest pomoc dwóch lub więcej osób, aby uniknąć obrażeń, uszkodzenia produktu lub utraty mienia.

Odkręcić 2 śruby mocujące listwę przypodłogową i zdjąć ją (Rys. 4-3).

Odłączyć złącze wody: nacisnąć i przytrzymać kołnierz w przedstawiony sposób (Fig.4-4), a następnie wyjąć rurkę doprowadzającą wodę.

Zdjąć górną zaślepkę.

### Drzwi zamrażarki

1. Odkręcić śrubę osłony zawiasu i zdjąć osłonę (Rys. 4-5). Odłączyć wszystkie przewody za wyjątkiem przewodu uziemiającego.
2. Odkręcić śruby przytrzymujące górny zawias, a następnie zdjąć ten zawias (Rys. 4-6).
3. Unieść drzwi komory zamrażarki, aby je zdjąć. Następnie unieść drzwi na tyle, aby umożliwić całkowite wyciągnięcie od dołu przewodu doprowadzającego wodę.

### Drzwi lodówki

1. Odkręcić śruby osłony zawiasu i zdjąć osłonę (Rys. 4-7). Odłączyć wszystkie przewody za wyjątkiem przewodu uziemiającego.
2. Odkręcić śruby przytrzymujące górny zawias, a następnie zdjąć ten zawias (Rys. 4-8).
3. Unieść drzwi komory lodówki, aby je zdjąć.

### Montaż drzwi

Zamontować drzwi, wykonując czynności demontażowe w odwrotnej kolejności.

## Poziomowanie lodówko-zamrażarki i regulacja drzwi

Upewnić się, że urządzenie stoi na stabilnym, poziomym podłożu. Jeżeli lodówka ma być umieszczona na cokole, należy użyć płaskich, mocnych i ognioodpornych materiałów.

Urządzenie jest wyposażone w przednie regulowane nóżki, których można użyć do jego wypoziomowania.

Wsunąć odpowiedni płaski śrubokręt w otwory w regulowanych nóżkach. Obrócić śrubokręt w prawo, aby podnieść nóżkę (Rys. 4-9) oraz w lewo, aby je obniżyć (Rys. 4-10).

## Poziomowanie drzwi

Przed podłączeniem lodówko-zamrażarki do źródła zasilania elektrycznego drzwi mogą wymagać wyrównania. Można tego dokonać poprzez regulację nóżek poziomujących (Rys. 4-9 i Rys. 4-10).

Aby podnieść lewe skrzydło drzwi, należy obrócić lewą nóżkę aż do wypoziomowania (Rys. 4-11).

Aby podnieść prawe skrzydło drzwi, należy obrócić prawą nóżkę aż do wypoziomowania.

## Montaż uchwytów

Uchwyty drzwi należy przymocować do śrub mocujących, które są już zamontowane w każdym ze skrzydeł (Rys. 4-12).

Do montażu należy użyć klucza imbusowego znajdującego się w woreczku z kompletem instrukcji.

1. Załóż pewnie, ale ostrożnie uchwyt na śrubach mocujących.
2. Za pomocą klucza imbusowego dokręć wkręt, mocując uchwyt do drzwi.

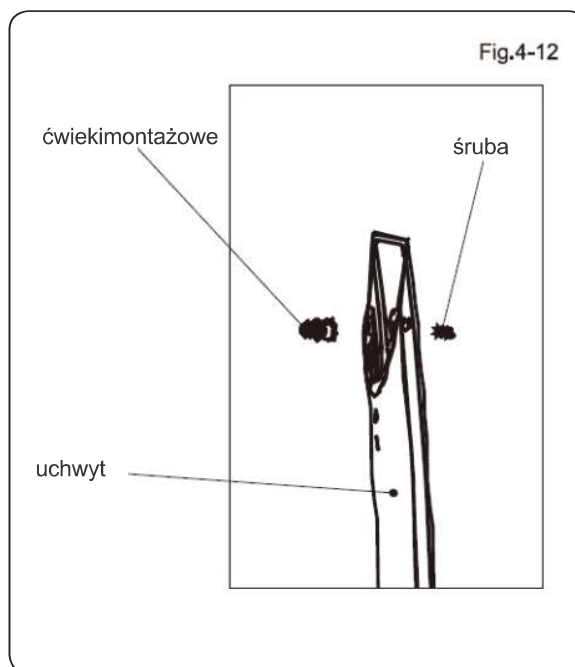
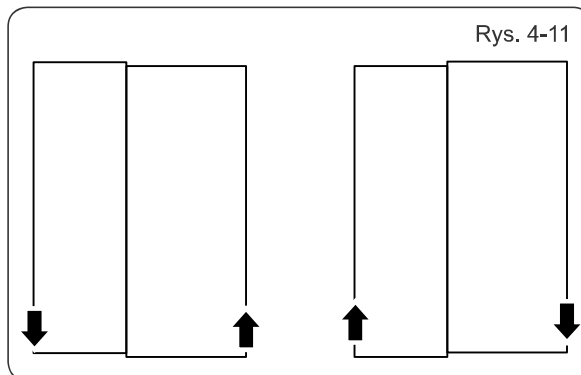
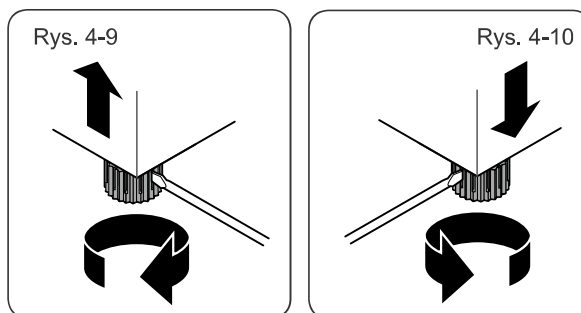
Nie dokręcaj nadmiernie wkrętu, aby nie uszkodzić śrub mocujących.

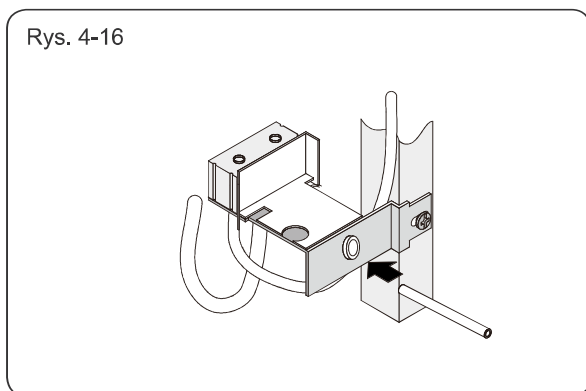
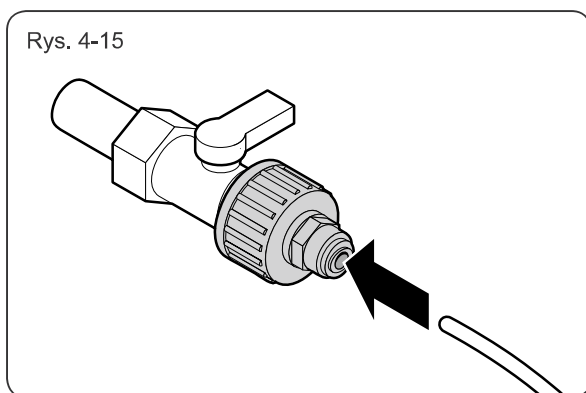
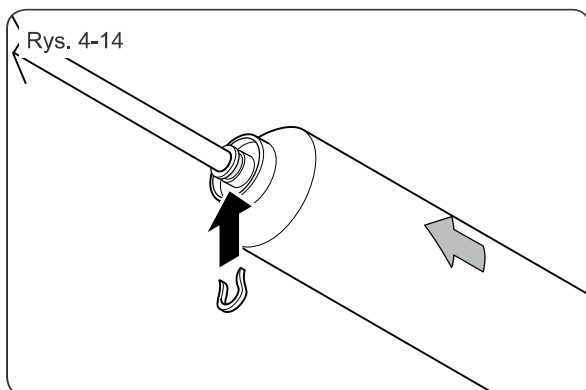
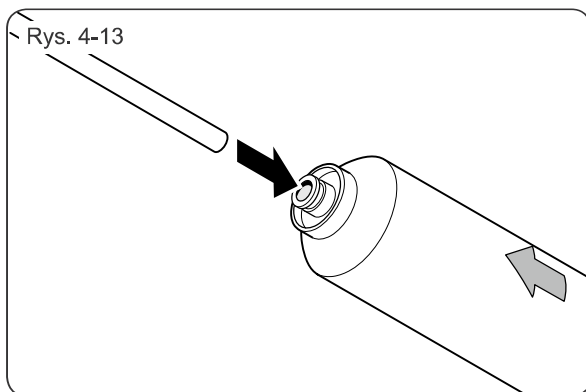
## Podłączenie do źródła zasilania elektrycznego

Podłączyć urządzenie do źródła zasilania elektrycznego (220-240 V ~ 50 Hz) za pomocą wtyczki i przewodu, które znajdują się w wyposażeniu.

Połączenia ze źródłem zasilania powinny być zgodne z lokalnymi przepisami.

- ⚠ Urządzenie należy podłączyć do gniazda z uziemieniem.
- ⚠ Po ustawieniu urządzenia należy zawsze zapewnić dostęp do wtyczki.





## Podłączenie do źródła wody

▲ Zaleca się, aby produkt został zainstalowany przez wykwalifikowanego technika.

Uwaga: dalsze szczegóły dotyczące instalacji znajdują się w instrukcjach dostarczonych wraz z filtrem wody.

- Ciśnienie zimnej wody podawane do automatycznej kostkarki do lodu mieści się w przedziale 0,15-0,6 MPa.
- Rurka doprowadzająca wodę powinna mieć odpowiednią długość, zazwyczaj 8 metrów, a po jej włożeniu w miejsce podłączenia nie powinna być zagięta. Jeżeli rurka doprowadzająca wodę będzie za długa, wówczas ciśnienie wody spadnie, wpływając na zawartość lodu i zimnej wody w urządzeniu.
- **NIE WOLNO** podłączać źródła wody, gdy temperatura otoczenia wynosi poniżej 0°C, inaczej rurka doprowadzająca wodę może zamrznąć.
- Należy zawsze podłączać tylko źródło wody pitnej.
- Rurkę doprowadzającą wodę należy trzymać z dala od źródeł ciepła.
- Zadaniem filtra wody jest odfiltrowywanie zanieczyszczeń występujących w wodzie oraz wytwarzanie czystego i higienicznego lodu. Nie ma on zdolności sterylizacji ani niszczenia, więc należy upewnić się, że rurka doprowadzająca wodę została podłączona do źródła wody pitnej.
- Automatyczny układ doprowadzania wody - nie dolewać wody ręcznie.
- Jeżeli kostkarka do lodu została włączona, ale urządzenie nie zostało podłączone do wody, kostkarka nie zadziała.

## Montaż filtra wody

Odmierzyć i odciąć odcinek rurki potrzebny od filtra do lodówko-zamrażarki oraz od filtra do źródła wody. Należy zapewnić cięcie pod kątem prostym za pomocą ostrego noża.

Wcisnąć jedną z rurek w filtr wody (Rys. 4-13).

Zamocować rurkę w filtrze, wsuwając obejmę blokującą w rowek w przedstawiony sposób (Rys. 4-14).

Powtórzyć procedurę po drugiej stronie filtra.

Podłączyć końcówkę do plastikowego złącza (Rys. 4-15). Wkręcić złącze w odpowiednie złącze BSP 1/2" na ujęciu wody.

Dostać się do zespołu zaworu filtra znajdującego się z tyłu lodówki. Wepchnąć rurkę w zespół zaworu (Rys. 4-16).

Otworzyć zawór wodny, aby przepłukać rurkę, sprawdzić szczelność połączeń rurki doprowadzającej wodę i puścić strumień wody, aż będzie ona czysta.

## Oddanie dystrybutora wody do użytku

Przed pierwszym użyciem należy kilkakrotnie nacisnąć dźwignię dystrybutora wody przez 1 minutę. Nie wolno naciskać dłużej niż przez 1 minutę, aby nie dopuścić do przegrzania elektrozaworu przełącznika dźwigniowego. Z ujęcia zaczną płynąć zimna woda.

## 5. Czyszczenie i konserwacja

---

### Rozmrażanie

Rozmrażanie dokonywane jest automatycznie, więc nie ma potrzeby ręcznego rozmrażania urządzenia.

- ⚠ W celu przyspieszenia procesu rozmrażania **NIE WOLNO** używać urządzeń mechanicznych.

### Czyszczenie

- ⚠ Przed przystąpieniem do czyszczenia odłączyć urządzenie od źródła zasilania.

W celu zminimalizowania zapachów wewnątrz urządzenia najlepszym rozwiązaniem jest okresowe mycie wewnętrznych półek, szuflad na owoce i warzywa, pojemników i ścianek.

Należy opróżnić urządzenie z żywności i wyjąć półki.

Umyć wnętrze ciepłą wodą z wodorowęglanem sodu za pomocą miękkiej szmatki. Następnie zapewnić dokładne osuszenie za pomocą odpowiedniej szmatki.

- ⚠ **NIE WOLNO** stosować środków żrących ani silnie działających substancji czyszczących, ponieważ mogą one uszkodzić wnętrze urządzenia.

Półki i inne akcesoria (plastikowe i szklane elementy) można myć w zlewie ciepłą wodą z płynem do mycia naczyń. Przed ponownym włożeniem wszystkich części do urządzenia należy upewnić się, że zostały dokładnie opłukane z mydła i osuszone.

Uszczelki drzwi należy zawsze utrzymywać w czystości.

- ⚠ Lodówka jest ciężka. Przy przemieszczaniu lodówki zachować ostrożność, aby chronić podłogę. Utrzymywać lodówkę w pozycji pionowej i nie przechylać jej – zapobiegnie to uszkodzeniu podłogi.
- ⚠ **NIE WOLNO** spryskiwać ani oblewać lodówki wodą lub innymi płynami. Mogłoby to uszkodzić części elektryczne.
- ⚠ Podczas czyszczenia okolic części elektrycznych (jak np. oświetlenia lub przełącznika) należy używać suchej szmatki.
- ⚠ **NIE WOLNO** czyścić lodówki twardą lub drucianą szczotką.
- ⚠ **NIE WOLNO** stosować rozpuszczalników organicznych, takich jak detergent, benzyna, lakier, rozcieńczalniki, aceton lub kwas.
- ⚠ Aby zapobiec przywarciu skóry do zimnych, stalowych części, przy dotykaniu tych części należy upewnić się, że ręce nie są mokre.
- ⚠ Do mycia szklanych półek **NIE WOLNO** używać gorącej wody, ponieważ mogą popękać.
- ⚠ Po zainstalowaniu nowego filtra wody, wyrzucić cały lód wytworzony w ciągu pierwszych 24 godzin.

### Wyłączanie lodówki

W przypadku odcięcia zasilania żywność powinna utrzymać bezpiecznie niską temperaturę przez ok. 5 godziny.

W przypadku odcięcia zasilania przez dłuższy okres czasu może zaistnieć potrzeba wyjęcia żywności z komory zamrażarki i przechowania jej w zimnym miejscu, owiniętą warstwami gazet w celu zachowania odpowiedniej temperatury.

Po przywróceniu zasilania umieścić żywność z powrotem w komorze zamrażarki.

W przypadku, gdy żywność zaczęła się rozmrażać lub przerwa w zasilaniu trwała dłużej niż oczekiwano, zaleca się spożycie żywności wyjętej z zamrażarki.

W przypadku krótkoterminowego braku zasilania większość produktów spożywczych można pozostawić w komorze zamrażarki – jest to najlepszy sposób na zachowanie temperatury – i otoczyć kostkami lodu z pojemnika na lód. Jest to również idealne rozwiązanie w przypadku przerw w zasilaniu, o których wcześniej ostrzegano.

W przypadku wystąpienia przerwy w zasilaniu jakiegokolwiek typu nie wolno dokładać żywności do zamrażarki.

### W przypadku braku użytkowania

Jeżeli urządzenia nie użytkuje się przez dłuższy okres czasu, zaleca się wyłączenia zasilania elektrycznego, opróżnienie z żywności, umycie wnętrza urządzenia i pozostawienie uchylonych drzwi. Pozwoli to na oszczędność energii, a także zapobiegnie powstawaniu nieświeżych zapachów wewnątrz urządzenia.

### Filtr wody

W celu utrzymania jakości wody od czasu do czasu konieczna będzie wymiana filtra. Zalecamy, aby filtr wody był wymieniany co 6 miesięcy. Jeżeli jednak woda wykazuje oznaki pogorszenia jakości, pod względem oceny wzrokowej lub smakowej, wówczas filtr należy wymienić wcześniej.

## 6. Rozwiązywanie problemów

Przed wezwaniem serwisu prosimy najpierw o przeczytanie informacji zawartych w poniższej tabeli: może to zaoszczędzić czas i pieniądze.

Problem	Przyczyna	Rozwiązanie
<b>Temperatura jest zbyt niska</b>		
1.1	Temperatura wewnątrz zamrażarki jest zbyt niska przy odpowiedniej temperaturze w komorze na świeżą żywność.	1.1.1 Temperatura wewnątrz komory zamrażarki jest ustawiona na zbyt niską wartość.
1.2	Temperatura wewnątrz komory na świeżą żywność jest zbyt niska przy odpowiedniej temperaturze w komorze zamrażarki.	1.2.1 Temperatura wewnątrz komory na świeżą żywność jest ustawiona na zbyt niską wartość.
1.3	Produkty spożywcze przechowywane w szufladzie-spiżarni o pełnej szerokości są zamrożone.	1.3.1 Pokrętko w komorze na świeżą żywność jest ustawione na zbyt niską temperaturę.
1.4	Produkty spożywcze przechowywane w szufladzie na owoce i warzywa są zamrożone.	1.4.1 Temperatura ustawiona wewnątrz komory na świeżą żywność jest zbyt niska.
1.5	Odczyty na wyświetlaczu dystrybutora wskazują kody błędów.	1.5.1 Wystąpił problem związany z działaniem układu elektronicznego.
<b>Temperatura jest zbyt wysoka</b>		
2.1	Temperatury w szufladach zamrażarki lub w komorze na świeżą żywność są zbyt wysokie.	2.1.1 Drzwi są zbyt często otwierane lub za każdym razem na zbyt długi okres czasu. 2.1.2 Pozostawiono otwarte drzwi.
2.2	Temperatura w zamrażarce jest zbyt wysoka, ale jest odpowiednia w komorze na świeżą żywność.	2.2.1 Temperatura w zamrażarce jest ustawiona na zbyt wysoką wartość.
2.3	Temperatura w komorze na świeżą żywność jest zbyt wysoka, ale jest odpowiednia w zamrażarce.	2.3.1 Temperatura w komorze na świeżą żywność jest ustawiona na zbyt wysoką wartość.
2.4	Temperatura w szufladzie na owoce i warzywa jest zbyt wysoka.	2.4.1 Temperatura ustawiona w komorze na świeżą żywność jest zbyt wysoka.
<b>Woda, wilgoć lub szron/lód w lodówce</b>		
3.1	Powstawanie wilgoci wewnątrz lodówki.	3.1.1 Sytuacja taka ma miejsce w gorącym i wilgotnym środowisku. 3.1.2 Pozostawiono otwarte drzwi. 3.1.3 Drzwi lub szuflada są zbyt często otwierane lub na zbyt długi okres czasu. 3.1.4 Pozostawiono otwarte pojemniki z żywnością lub płyny.
3.2	W dolnej szufladzie na owoce i warzywa miejscami zbierają się kropelki wody.	3.2.1 Ustawiono zbyt wysoką wilgotność.
3.1.1		Należy spróbować nieco podnieść temperaturę w danej komorze.
3.1.2		Należy sprawdzić, czy uszczelki drzwiowe są czyste i czy dobrze przylegają do metalowej ramy obudowy.
3.1.3		Należy zmniejszyć częstotliwość otwierania drzwi.
3.1.4		Należy pozostawiać gorące potrawy do ostygnięcia oraz przykrywać żywność i płyny.
3.2.1		Jest to normalne zjawisko, że wilgotne powietrze zbiera się wewnątrz zamkniętej szuflady. W celu zmniejszenia stopnia gromadzenia się wilgoci zmniejszyć ustawienie wilgotności i/lub podnieść temperaturę w komorze na świeżą żywność.

Problem	Przyczyna	Rozwiązanie	
3.3 Po spodniej stronie szklanych osłon szuflady na owoce i warzywa tworzy się woda.	3.3.1 Wilgoć oddawana przez produkty spożywcze zawierające wodę.	3.3.1.1 Umieszczając produkty spożywcze w lodówce, należy najpierw osuszyć je suchą szmatką, aby usunąć nadmiar wilgoci.	
	3.3.2 Nieszczelność uszczelki drzwiowych lub częste otwieranie drzwi w wilgotnym środowisku.	3.3.2.1 Sprawdzić uszczelki drzwiowe i ograniczyć otwieranie drzwi. Być może nastąpił wzrost temperatury świeżej żywności.	
Woda/wilgoć/szron na zewnętrznej stronie lodówki			
4.1 Wilgotne powietrze tworzy kropelki wody na zewnętrznych krawędziach lodówki.	4.1.1 Ciepłe, wilgotne powietrze w otoczeniu miesza się z chłodniejszym na uszczelkach drzwi komory na świeżą żywność i komory zamrażarki, skraplając się.	4.1.1.1 Niewielka ilość rosy lub wilgoci jest zjawiskiem normalnym. W celu poprawienia działania urządzenia najlepiej wytrzeć ją suchą szmatką.	
		4.1.1.2 Niewielki wzrost wartości temperatur w komorach może zmniejszyć efekt tworzenia się wilgoci.	
		4.1.1.3 Sprawdzić, czy uszczelka drzwiowa jest odpowiednio szczelna i czysta.	
Automatyczna kostkarka do lodu			
5.1 Kostkarka do lodu nie działa prawidłowo.	5.1.1 Kostki lodu przywierają do siebie.	5.1.1.1 Wyjąć bryłę kostek lodu, rozbić ją, a następnie włożyć ponownie do pojemnika na lód tylko oddzielone kostki.	
	5.1.2 W przypadku zbyt długiego przechowywania kostki lodu mogą w końcu przywierać do siebie.	5.1.2.1 Patrz punkt 5.1.1.1 powyżej.	
5.2 Kostki lodu są zbyt duże lub zbyt małe.	5.2.1 Nieprawidłowe ustawienie źródła doprowadzania wody do kostkarki.	5.2.1.1 Dostosować ustawienie źródła doprowadzania wody do kostkarki.	
Dystrybutor zimnej wody i lodu			
6.1 Nie leci zimna woda.	6.1.1 Drzwi zamrażarki lub lodówki nie są całkowicie zamknięte. Rurka doprowadzająca wodę jest niedrożna.	6.1.1.1 Zamknąć wszystkie drzwi urządzenia. Udrożnić na całej długości przewód doprowadzający wodę.	
		6.1.2 Filtr wody jest zatkany	6.1.2.1 Wymienić filtr wody.
		6.1.3 Rurka doprowadzająca wodę jest zatkana.	6.1.3.1 Sprawdzić, czy rurki doprowadzające wodę nie są zagięte lub zatkane.
6.2 Woda ma dziwny zapach.	6.2.1 Woda była przechowywana zbyt długo bez użytkowania.	6.2.1.1 Ulać 7 filiżanek wody i wyłączyć. Sprawdzić, czy nastąpiła poprawa zapachu.	
	6.2.2 Lokalne źródło wody pitnej budzi podejrzenia.	6.2.1.2 Skontaktować się z lokalnym przedsiębiorstwem wodociągowym w celu sprawdzenia jakości wody.	
6.3 Brak podawania lodu.	6.3.1 Drzwi zamrażarki lub lodówki nie są całkowicie zamknięte.	6.3.1.1 Zamknąć wszystkie drzwi urządzenia.	
	6.3.2 Brak kostek lodu w pojemniku	6.3.2.1 Odczekać na wytworzenie się kostek lodu.	
	6.3.3 Zbyt wysoka temperatura ustawiona w zamrażarce.	6.3.3.1 Obniżyć temperaturę w zamrażarce, aby poprawić wydajność kostkarki do lodu.	
6.4 Dystrybutor jest zatkany	6.4.1 Odmrożona woda zamrzęła na wrzecionie.	6.4.1.1 Wyjąć pojemnik. Umyć i osuszyć wrzeciono. Wymienić zbiornik.	
	6.4.2 Kostki lodu zablokowały się między kostkarką a zbiornikiem.	6.4.2.1 Usunąć kostki lodu spomiędzy kostkarki a zbiornika.	
	6.4.3 Kostki lodu przywierają do siebie.	6.4.3.1 Wyjąć bryłę kostek lodu, rozbić ją, a następnie włożyć ponownie do pojemnika na lód tylko oddzielone kostki.	
	6.4.4 Do dystrybutora włożono kostki lodu wytworzone poza urządzeniem.	6.4.4.1 Do dystrybutora można użyć wyłącznie kostek lodu wytworzonych przez kostkarkę.	

Problem	Przyczyna	Rozwiązanie
W lodówce występuje nieprzyjemny zapach		
7.1 Wnętrze lodówki jest zabrudzone.	7.1.1 Wewnętrzne ścianki, półki i pojemniki w drzwiach wymagają umycia	7.1.1.1 Umyć ciepłą wodą wszystkie wewnętrzne powierzchnie i wytrzeć miękką, wilgotną szmatką, a następnie wytrzeć do sucha.
	7.1.2 Żywność znajdująca się w lodówce jest przechowywana po upływie terminu przydatności do spożycia.	7.1.2.1 Owinąć i przykryć produkty spożywcze, aby przedłużyć ich termin przydatności do spożycia.
Drzwi trudno się otwierają i/lub zamykają		
8.1 Występuje problem z zamykaniem drzwi.	8.1.1 Na drzwiach mogą znajdować się artykuły spożywcze lub opakowania, które utrudniają zamykanie.	8.1.1.1 Zmienić położenie półek, pojemników w drzwiach lub pojemników wewnątrz urządzenia, aby umożliwić zamknięcie drzwi.
	8.1.2 Poziom lodówki powoduje przesunięcie położenia drzwi.	8.1.2.1 Upewnić się, że podłoga utrzymuje poziom za pomocą solidnych materiałów, które są również niepalne.
	8.1.3 Drzwi mogą uderzać o sąsiadujące szafki lub urządzenia.	8.1.3.1 Zapewnić odpowiedni odstęp 25 mm (1") ze wszystkich 3 stron oraz od góry obudowy, aby była możliwość swobodnego otwierania i zamykania drzwi.
Ogólne		
9.1 Sprężarka nie działa.	9.1.1 Lodówka jest w trybie głębokiego mrożenia	9.1.1.1 Jest to normalne, że lodówka automatycznie przechodzi w tryb głębokiego mrożenia. Okres głębokiego mrożenia trwa ok. 30 minut.
	9.1.2 Lodówka nie jest podłączona do zasilania.	9.1.2.1 Upewnić się, że wtyczka jest całkowicie wsunięta do gniazda zasilania.
		9.1.2.2 Czy włączono wyłącznik automatyczny? Sprawdzić i wymienić na nowy bezpiecznik 13 A i/lub włączyć ponownie wyłącznik automatyczny.
9.1.2.3 Sprawdzić zasilanie elektryczne w pomieszczeniu. Skontaktować się z lokalnym przedsiębiorstwem energetycznym.		
9.2 Lodówka często się włącza lub włącza się na długi okres czasu.	9.2.1 Temperatura w pomieszczeniu lub temperatura otoczenia jest wysoka.	9.2.1.1 Ciągła praca lodówki jest sytuacją normalną.
	9.2.2 Pracuje kostkarka do lodu.	9.2.2.1 Jest to normalne – kostkarka do lodu stwarza dodatkowe obciążenie dla lodówki.
	9.2.3 Drzwi są często otwierane i zamykane.	9.2.3.1 Należy postarać się zmniejszyć częstotliwość otwierania drzwi lub szuflad.
	9.2.4 Pokręta w komorze zamrażarki i w komorze na świeżą żywność są ustawione na niski poziom temperatury.	9.2.4.1 Podnieść nieco temperatury w komorach i pozostawić na 24 godziny do zrównoważenia z nowym ustawieniem temperatury.
	9.2.5 Uszczelki drzwiowe mogą być zabrudzone, postrzępione lub popękane.	9.2.5.1 Oczyszczyć uszczelki i/lub lekko podgrzać je suszarką do włosów, aby przylgnęła do konturu metalowej ramy.
9.3 Sprężarka często włącza się i wyłącza.	9.3.1 Czujniki temperatury w komorach utrzymują temperaturę w lodówce w punktach nastawczych, powodując włączanie się sprężarki.	9.3.1.1 Jest to normalne. Sprężarka lodówki zapewni wymagany poziom chłodzenia.
10.1 Oświetlenie nie zapala się.	10.1.1 Przełącznik oświetlenia jest w jakiś sposób zablokowany przez cząstki żywności	10.1.1.1 Odłączyć wtyczkę przewodu zasilania. Zlokalizować przełącznik oświetlenia w warstwie wyściełającej ściankę i przesuwając go, aby przekonać się, czy poprzez kilkukrotne włączenie i wyłączenie uda się usunąć żywność.
	10.1.2 Zasilanie lodówki jest odłączone.	10.1.2.1 Upewnić się, czy wtyczka przewodu zasilania jest całkowicie wsunięta w gniazdo ścienne.
11.1 Sygnał dźwiękowy dochodzący z wnętrza lodówki lub zamrażarki.	11.1.1 Drzwi są otwarte przez ponad 60 sekund.	11.1.1.1 Jest to normalna sytuacja i będzie się powtarzać co 1 minutę aż do zamknięcia drzwi.

## 7. Dane techniczne

---

### Wskaźniki

Model	HRF-628A*6/HRF-628I*6
Wskaźniki elektryczne - napięcie/częstotliwość	220-240 V 50 Hz
Klasa efektywności energetycznej	A+
Klasa klimatyczna	SN-N-ST
Kwalifikacja komory zamrażarki w formie gwiazdek	*/***
Lodówka	R600a 80g
Pojemność brutto	610 litrów
Pojemność netto	550 litrów
Pojemność netto – komora lodówki	375 litrów
Pojemność netto – komora zamrażarki	175 litrów
Pojemność zamrażarki/24 godziny	10 kg/24 godziny
Zużycie energii/rok	420 kW·h/rok
Zużycie energii (EN153)	1,15 kW·h/24 h
Maksymalny poziom hałasu	42 dB(A)
Maksymalny okres przechowywania w przypadku braku zasilania	5 godzin
Wydajność kostkarki do lodu	1 kg/24 h

Model	HRF-630A*7/HRF-630I*7
Wskaźniki elektryczne - napięcie/częstotliwość	220-240 V 50 Hz
Klasa efektywności energetycznej	A++
Klasa klimatyczna	SN-N-ST-T
Kwalifikacja komory zamrażarki w formie gwiazdek	*/***
Lodówka	R600a 80g
Pojemność brutto	610 litrów
Pojemność netto	550 litrów
Pojemność netto – komora lodówki	375 litrów
Pojemność netto – komora zamrażarki	175 litrów
Pojemność zamrażarki/24 godziny	10 kg/24 godziny
Zużycie energii/rok	355kW h/rok
Zużycie energii (EN153)	0.97 kW·h/24 h
Maksymalny poziom hałasu	42 dB(A)
Maksymalny okres przechowywania w przypadku braku zasilania	5 godzin
Wydajność kostkarki do lodu	1 kg/24 h

---

## Înainte de a utiliza aparatul pentru prima dată

Domeniu de utilizare: Acest aparat a fost proiectat exclusiv pentru utilizarea casnică, în medii interioare uscate. Orice altă utilizare este inadecvată și poate duce la vătămări corporale, moment în care responsabilitatea producătorului va înceta.

### *Acțiuni recomandate...*

Asigurați-vă că fișa cablului nu este prinsă sub congelator. Țineți de ștecher, nu de cablul electric, atunci când scoateți din priză congelatorul.

Aveți grijă să nu călcați pe cablul de alimentare și să nu îl deteriorați atunci când deplasați congelatorul de lângă perete. Aveți grijă ca ștecherul să nu se deterioreze; dacă s-a deteriorat, întrerupeți sursa de alimentare, dacă este posibil, apoi scoateți cu grijă ștecherul din priză și consultați un agent de service autorizat pentru înlocuire.

Asigurați-vă că nu există scurgeri de gaze sau de alte gaze inflamabile în apropierea congelatorului. Într-o asemenea situație, închideți supapa gazului care se scurge, deschideți ușile și ferestrele, dar nu introduceți și nu scoateți din priză cablurile de alimentare ale congelatorului sau ale oricărui alt aparat.

Scoateți din priză congelatorul pentru curățenie sau întreținere sau pentru înlocuirea lămpii.

Deschideți ușile ținând de mâner; atenție, spațiul dintre uși poate fi foarte redus, deci evitați să vă prindeți degetele. La scoaterea din priză a congelatorului, așteptați cel puțin 5 minute înainte de a reporni, deoarece pornirile frecvente pot afecta compresorul.

Nu obstrucționați deschiderile de ventilație.

La casarea congelatorului, pentru a evita prinderea accidentală a copiilor, demontați ușile, garniturile de etanșare și rafturile congelatorului și depozitați-le într-o locație adecvată.

Congelatorul trebuie amplasat într-o locație bine ventilată, în apropierea unei surse de apă potabilă.

Asigurați un spațiu de cel puțin 20 cm deasupra și 10 cm în jurul congelatorului.

Aparatul trebuie poziționat astfel încât fișa să rămână accesibilă.

### *Acțiuni nerecomandate...*

Congelatorul este acționat de o sursă de alimentare de 220 - 240 VAC/50 Hz. În cazul în care congelatorul este conectat la o tensiune incorectă, fluctuațiile pot împiedica pornirea aparatului, pot deteriora sistemul de control al temperaturii sau compresorul, sau pot apărea zgomote anormale la funcționarea compresorului. Într-un asemenea caz, trebuie montat un regulator automat.

Este necesară furnizarea pentru congelator a unei prize dedicate, cu legare la masă/pământ corespunzătoare. Cablul de alimentare al congelatorului este prevăzut cu o fișă cu 3 fire (legate la pământ/masă) care se potrivește într-o priză cu 3 fire (legate la pământ/masă). Nu tăiați și nu demontați al treilea pin (legare la pământ/masă). Fișa trebuie să fie accesibilă după instalarea congelatorului.

Nu depozitați niciodată materiale inflamabile, explozive sau corozive în congelator.

Nu depozitați medicamente, bacterii sau agenți chimici în congelator. Acest congelator este un aparat de uz casnic. Nu se recomandă depozitarea de materiale care necesită o temperatură strictă.

Nu depozitați și nu utilizați benzină sau alte materiale inflamabile în apropierea congelatorului, pentru a evita incendiile.

Nu așezați articole instabile (obiecte grele, recipiente umplute cu lichide) pe congelator, pentru a evita vătămrile cauzate de căderea acestora și electrocutarea cauzată de contactul cu apa.

Nu vă balansați pe ușă și nu agățați stive de sticle de ușă. Ușa poate fi scoasă din poziție verticală, stiva de sticle poate cădea sau congelatorul se poate răsturna.

Nu călcați pe ușa compartimentului de depozitare a congelatorului, pe rafturi sau pe carcasă când introduceți sau scoateți alimente și băuturi.

Nu atingeți suprafața interioară a compartimentului de depozitare a congelatorului când acesta se află în funcțiune, mai ales cu mâinile umede, deoarece acestea pot îngheța superficial.

Pentru a asigura izolația electrică a congelatorului, nu pulverizați și nu spălați congelatorul cu apă când îl curățați, și nici nu amplasați congelatorul într-o locație cu umezeală sau unde poate fi stropit cu apă. Eliminați și uscați picăturile și petele de apă cu o cârpă moale și curată.

Este necesar ca demontarea și modificarea congelatorului să fie autorizate. Orice mișcare bruscă sau brutală a congelatorului poate deteriora conductele de răcire. Se pot produce daune sau vătămări corporale.

Reparațiile congelatorului trebuie efectuate de personal profesionist.

Nu depozitați în congelator sticle de bere sau băuturi răcoritoare, deoarece acestea pot exploda în timpul congelării.

Nu amplasați congelatorul în lumină solară directă sau într-o locație unde este expus căldurii provenite de la sobe, radiatoare sau alte aparate.

Nu lăsați ușile congelatorului deschise în absența unui adult și nu permiteți accesul copiilor la congelator.

Nu lăsați bebelușii sau copiii să se cațere în raftul congelatorului. Nu utilizați aparate electrice în interiorul congelatorului, cu excepția cazului când acestea sunt de tipul recomandat de către producător.

Nu deteriorați circuitul de refrigerent.

Nu utilizați un uscător de păr pentru a usca partea interioară a congelatorului. Nu amplasați lumânări aprinse în interiorul congelatorului pentru eliminarea mirosurilor.

Nu pulverizați materiale volatile, precum insecticidele, pe nicio suprafață a aparatului.

Deschideți sau închideți ușile congelatorului numai când copiii se află în afara razei de acțiune a ușii în mișcare.

Acest aparat nu este destinat utilizării de către persoane (inclusiv copii) cu capacități fizice, senzoriale sau mentale reduse sau cu lipsă de experiență și cunoștințe, cu excepția cazurilor când aceste persoane au fost monitorizate sau instruite cu privire la utilizarea congelatorului de către o persoană responsabilă de siguranța acestora.

Nu depozitați o cantitate prea mare de alimente în compartimentul de stocare al congelatorului, pentru a evita o funcționare prelungită a compresorului și căderea alimentelor. Nu se recomandă depășirea liniei de încărcare a sertarelor. Greutatea totală a alimentelor nu trebuie să depășească 30 kg. Pentru a preveni căderea pe jos a alimentelor, nu deschideți forțat sau înclinat sertarul congelatorului.

Nu utilizați dispozitive mecanice sau alte mijloace de accelerare a procesului de dezghețare, în afara celor recomandate de către producător.

În cazul apariției unor probleme la sistemul de iluminare al congelatorului, contactați departamentul nostru de relații cu clienții pentru remediere și nu înlocuiți personal sistemul.



# Cuprins

---

<b>1. Înainte de a începe</b>	<b>1</b>	<b>4. Instalare</b>	<b>15</b>
Siguranță	1	Poziționarea aparatului	15
Informații privind gazul refrigerent	2	Scoaterea și montarea ușilor	16
Întreținerea mediului	2	Egalizarea frigiderului-congelator și reglarea ușilor	17
<b>2. Despre congelatorul dvs.</b>	<b>3</b>	Nivelarea ușilor	17
Despre compartimentul pentru alimente proaspete	5	Montarea mânerelor	17
Despre compartimentul congelator	6	Conexiunea cu sursa de alimentare electrică	17
Mașină de gheață/Distribuitoare de apă	7	Racord la sursa de alimentare cu apă	18
Barul	7	<b>5. Curățare și întreținere</b>	<b>19</b>
Utilizarea frigiderului-congelator	9	Dezghețare	19
Utilizarea distribuitorului de apă și de gheață	12	Curățare	19
Siguranță	12	Oprirea congelatorului	19
Dezghețarea automată	12	Când nu utilizați aparatul	19
Funcția de alarmă	12	Filtrul de apă	19
Deconectare afișaj	12	<b>6. Depanare</b>	<b>20</b>
<b>3. Sfaturi pentru depozitarea alimentelor</b>	<b>13</b>	<b>7. Date tehnice</b>	<b>23</b>
Sfaturi pentru depozitarea alimentelor proaspete	13		
Sfaturi pentru congelarea alimentelor	14		

- Înainte de pornire, asigurați-vă că citiți Manualul de utilizare.
- Păstrați Manualul de utilizare într-o locație sigură.
- Nu obturați deschiderile de aerisire din carcasa aparatului sau din structura încorporată.
- Nu utilizați dispozitive mecanice sau alte mijloace de accelerare a procesului de dezghețare, în afara celor recomandate de către producător.
- Nu deteriorați circuitul de refrigerent.
- Nu utilizați aparate electrice în interiorul compartimentelor de depozitare a alimentelor din aparat, cu excepția cazului când acestea sunt de tipul recomandat de către producător.
- Datorită politicii noastre de îmbunătățire continuă, ne rezervăm dreptul de modificare a specificațiilor fără notificare prealabilă.

# 1. Înainte de a începe

---

Vă mulțumim pentru achiziționarea acestui frigider-congelator. Sperăm că acesta reprezintă o soluție elegantă și practică pentru necesitățile dvs. în materie de răcire. Vă rugăm să citiți acest manual înainte de a utiliza noul dvs. frigider-congelator. Păstrați în siguranță acest manual și transmiteți-l oricărui nou proprietar. Sperăm că acest manual furnizează toate informațiile de care aveți nevoie. Dacă aveți dubii în vreo privință, contactați-ne (consultați secțiunea Garanție pentru detalii privind asistența pentru clienți).

- ⚠ **AVERTISMENT!** Acest aparat trebuie legat la pământ.
- ⚠ Lăsați aparatul neutilizat timp de cel puțin șase ore. Aceasta va permite stabilizarea sistemului de răcire în urma transportului.
- ⚠ Asigurați-vă întotdeauna că acest aparat este instalat de către o persoană calificată.
- ⚠ Compartimentul congelatorului este clasificat la 4 stele.
- ⚠ Acest aparat este proiectat numai pentru uz casnic. Utilizarea acestuia în orice alt scop poate invalida orice pretenție referitoare la garanție sau la răspundere.
- Înainte de conectarea aparatului la rețea, curățați interiorul acestuia cu apă caldă și bicarbonat de sodiu, apoi uscați-l bine.
- Verificați ca nicio piesă a aparatului să nu fie deteriorată, în special piesele sistemului de răcire, conductele sau cablurile. Dacă s-au produs deteriorări, NU instalați aparatul; contactați un inginer de service calificat sau contactați asistența pentru clienți.
- Dacă accesoriile din interiorul aparatului și-au modificat poziția pe durata transportului, re poziționați-le conform instrucțiunilor.
- Asigurați-vă că energia electrică de la priză este adecvată pentru acest aparat - informațiile privind puterea necesară se află pe eticheta de date a aparatului. Eticheta de date este situată în interiorul aparatului (partea de sus a compartimentului congelator).
- Odată aparatul instalat, curățați și uscați și după ce a fost așezat în picioare în urma transportului, acesta este pregătit pentru a fi introdus în priză și pornit.

## Siguranță

- ⚠ **AVERTISMENT!** Utilizați numai apă potabilă cu acest aparat.
- ⚠ **AVERTISMENT!** Nu obstrucționați sub nicio formă aparatul.
- ⚠ NU deteriorați circuitul de refrigerent. Dacă acesta se deteriorează, nu utilizați aparatul.
- ⚠ **AVERTISMENT!** NU utilizați dispozitive mecanice (precum uscătoarele de păr) pentru dezghețarea acestui aparat.
- ⚠ **AVERTISMENT!** Conductele de apă și de gheață **TREBUIE** purjate bine înainte de utilizare. Consultați secțiunea Mașină de gheață/Distribuitor de apă a acestui manual.

- La înlocuirea aparatelor vechi, asigurați-vă că ați dezactivat toate mecanismele de blocare înainte de evacuarea la deșeuri - poate fi chiar cel mai bine să demontați complet ușa aparatului pentru a împiedica blocarea copiilor în interiorul acestuia.
- Aparatul trebuie conectat în condiții de siguranță la sursa de alimentare. Conexiunile slăbite, fișele defecte și cablurile neizolate constituie un pericol pentru siguranță. Asigurați-vă privind integritatea tuturor conexiunilor.
- Înainte de a efectua orice operație de întreținere de rutină sau reparații minore, deconectați aparatul de la sursa de alimentare electrică. Aceasta include curățarea și înlocuirea becurilor electrice.
- NU atingeți suprafețele reci ale aparatului atunci când acesta se află în uz, deoarece aceasta va determina lipirea mâinilor de acestea, conducând la degerături.
- Când mutați aparatul, aveți grijă să nu deteriorați cablurile, conductele sau unitatea condensator. Dacă aceste piese se deteriorează, contactați un inginer de service calificat.
- Lichidele efervescente (băuturile gazoase) nu trebuie niciodată înghețate. Aceste lichide se dilată la îngheț, ceea ce poate conduce la sfărâmarea sau la explozia sticlelor/recipientelor.
- Alimentele care urmează a fi dezghețate sau gătite în prealabil, precum pâinea sau carnea, nu trebuie consumate în stare înghețată.
- Dacă alimentele au un aspect sau un miros ciudat, nu încercați să le consumați. Dacă aveți dubii, aruncați-le.
- Nu utilizați niciodată instrumente metalice ascuțite pentru a răzui gheața de pe suprafața acestui aparat. Utilizați numai instrumente adecvate acestui scop (precum raclete din plastic) și procedați cu atenție pentru a evita deteriorarea stratului de acoperire al aparatului.
- Sistemul de răcire conține refrigerent și uleiuri, care sunt toate periculoase pentru sănătate în cazul scurgerilor. În caz de scurgeri, deconectați aparatul și aerisiți încăperea. Asigurați-vă că agentul de răcire nu pătrunde în ochi sau în apropierea acestora. Contactați un inginer de service sau solicitați îndepărtarea aparatului.

## Siguranță electrică

- Conexiunile cu sursa de alimentare de la rețea trebuie să fie în conformitate cu reglementările locale.
- Fișa **TREBUIE** să fie accesibilă după ce aparatul a fost poziționat.
- Asigurați-vă că congelatorul nu prinde cablul electric.
- Nu călcați pe cablu.
- Evitați deteriorarea cablului electric la mutarea congelatorului.

## Cablul electric deteriorat

În cazul în care cablul electric este deteriorat sau uzat, opriți congelatorul și consultați un agent autorizat pentru înlocuire.

## Informații privind gazul refrigerent

**IMPORTANT:** Acest aparat este prevăzut cu gaz refrigerent IZOBUTAN (R600a). La deplasarea aparatului, aveți grijă ca acesta să nu sufere lovituri și să nu fie scuturat excesiv. Nerespectarea acestei instrucțiuni poate deteriora aparatul.

Deteriorarea circuitului de refrigerare, cu posibile scurgeri ale gazului refrigerent, poate crea un pericol de explozie, cauzat de scântei sau flăcări externe.

### În eventualitatea unei scurgeri accidentale

Permiteți evaporarea materialului, cu condiția asigurării unei aerisiri adecvate.

### Comportamentul gazului

Acest gaz refrigerent este extrem de inflamabil, deci nu permiteți gazului să intre în contact cu suprafețe fierbinți sau cu flăcări deschise. Gazul R600a este mai greu decât aerul; dacă este eliberat, formează o concentrație ridicată la nivelul podelei, unde ventilația este slabă.

### Măsuri de prim ajutor

#### Inhalare

Scoateți persoana expusă din zona poluată și transportați-o într-o locație încălzită și bine aerisită.

Expunerea prelungită poate provoca instalarea axfisierii și posibila pierdere a cunoștinței. Dacă este necesar, practicați respirația artificială, iar în cazurile cele mai grave, administrați oxigen sub supraveghere medicală strictă.

#### Contactul cu pielea

Este improbabil ca un contact ocazional cu pielea să fie periculos. Dacă acest lucru se produce, spălați bine zona afectată.

Picăturile de lichid pulverizate și lichidul atomizat pot cauza degerături. Spălați porțiunea afectată cu apă din abundență și apelați la un medic pentru tratarea oricăror degerături.

#### Contactul cu ochii

Spălați cu apă din abundență, cu pleoapele bine deschise și apelați în cel mai scurt timp posibil la un medic specialist.

Indiferent de caz, dacă inhalați sau intrați în contact cu gazul R600a, vă recomandăm să vă consultați propriul medic.

## Întreținerea mediului

### Depunerea la deșeuri a ambalajului

În drumul său spre dvs., noul dvs. congelator a fost protejat de un ambalaj corespunzător. Toate materialele utilizate sunt ecologice pentru depunerea la deșeuri și pot fi reciclate. Vă rugăm să vă aduceți contribuția la protecția mediului prin depunerea adecvată la deșeuri a ambalajului.

### Depunerea la deșeuri a congelatorului vechi



Acest simbol de pe produs sau de pe ambalajul acestuia indică faptul că produsul nu poate fi tratat ca deșeu menajer. În schimb, trebuie predat la centrul comunitar local de colectare a deșeurilor/reciclare.

Aparatele vechi au o oarecare valoare reziduală. O metodă ecologică de depunere la deșeuri va asigura posibilitatea de recuperare și de reutilizare a materiilor prime valoroase.

Când un aparat a ajuns la sfârșitul duratei sale de viață, scoateți-l din priză. Tăiați cablul de rețea și depuneți-l la deșeuri odată cu fișa.

Faceți ușa imposibil de utilizat (prin scoaterea garniturilor) sau scoateți ușa, pentru a nu permite blocarea accidentală a copiilor în interiorul aparatului.

Cicloizopentanul, o substanță inflamabilă care nu dăunează ozonului, este utilizată ca expandor pentru spuma izolatoare.

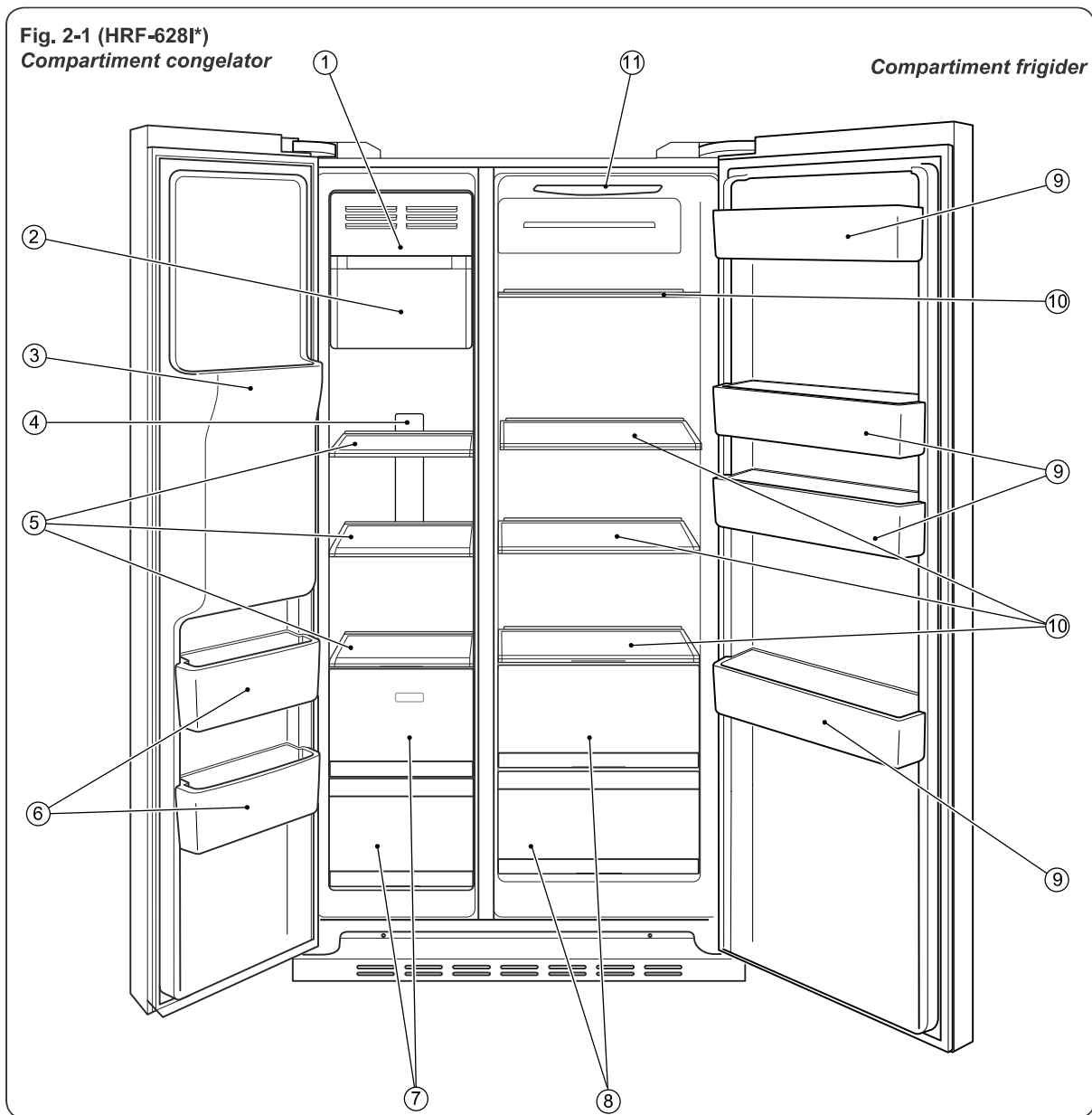
Când transportați aparatul, aveți grijă să nu deteriorați circuitul de răcire.

Prin asigurarea evacuării corecte la deșeuri a acestui produs, veți contribui la prevenirea consecințelor potențial negative pentru mediu și sănătatea umană, care ar putea fi provocate în caz contrar.

Pentru informații mai detaliate despre reciclarea acestui produs, contactați consiliul local, serviciul de evacuare a deșeurilor menajere sau locația de unde ați achiziționat produsul.

RO

## 2. Despre congelatorul dvs.



Aparatul HRF-628I\* (Fig. 2-1) are următoarele caracteristici:

1. Raft pentru înghețată
2. Recipient pentru gheață cu mașină de gheață (recipient interior)
3. Distribuitor de apă și de gheață
4. Lumină LED congelator
5. 3 rafturi de depozitare în congelator
6. 2 recipiente în ușa congelatorului
7. 2 sertare ale congelatorului(HRF-628I\*6)  
3sertare ale congelatorului(HRF-630I\*7)

8. 2 sertarepentrufructeșilegume(HRF-628I\*6)  
1 sertare de hidratantă&2 sertarepentrufructeșilegume (HRF-630I\*7)
9. 4 recipiente în ușa frigiderului
10. 4 rafturi de depozitare în frigider
11. Lumină LED frigider

Fără CFC și fără gheață

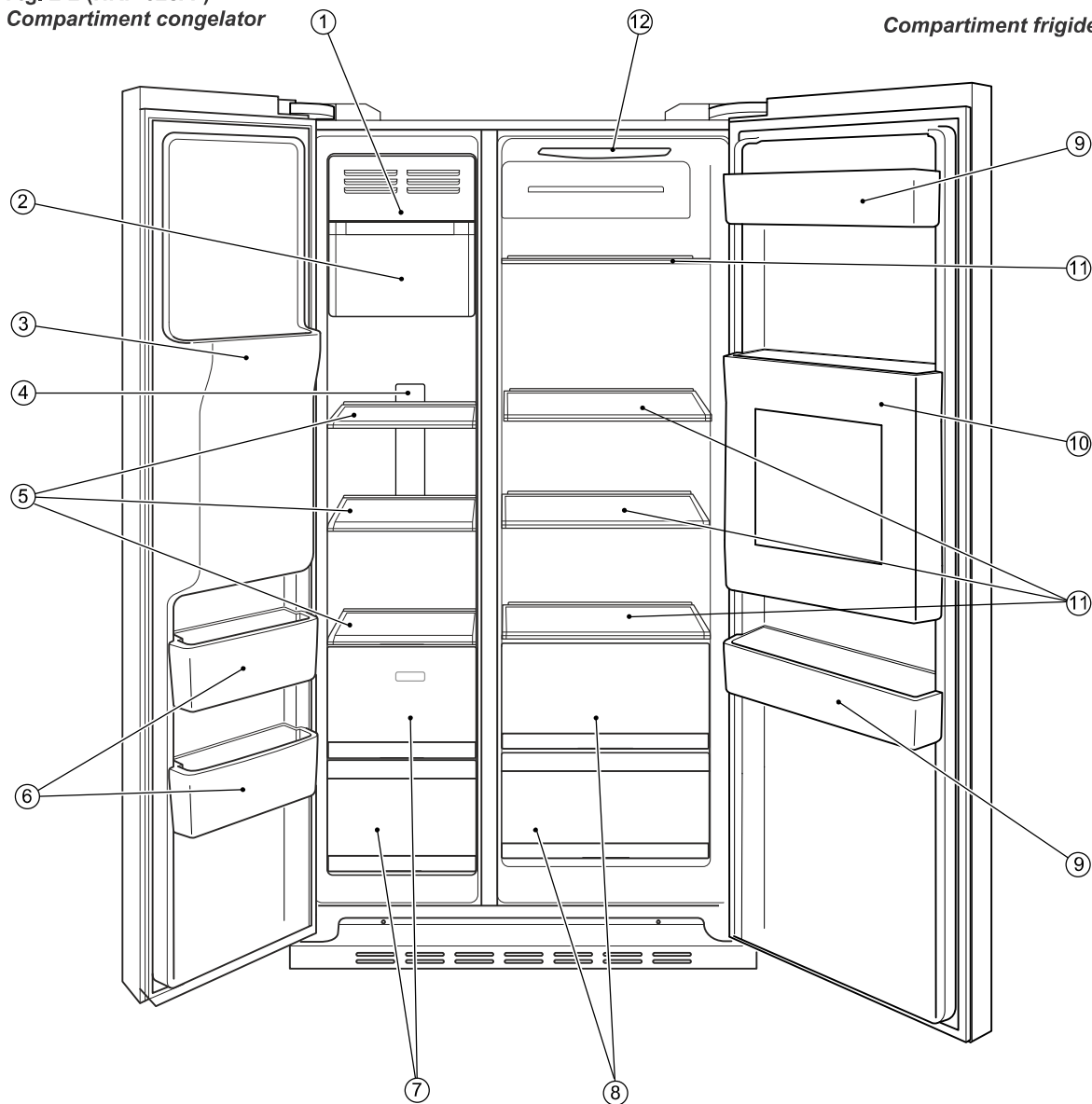
Opțiuni de extra-îngheț, de extra-răcire și de vacanță

Afișajul automat al temperaturii

Fig. 2-2 (HRF-628A\*)

Compartiment congelator

Compartiment frigider



Aparatul HRF-628A\* (Fig. 2-2) are următoarele caracteristici:

1. Raft pentru înghețată
2. Recipient pentru gheață cu mașină de gheață (recipient interior)
3. Distribuitor de apă și de gheață
4. Lumină LED congelator
5. 3 rafturi de depozitare în congelator
6. 2 recipiente în ușa congelatorului
7. 2 sertare ale congelatorului(HRF-628A\*6)  
3sertare ale congelatorului(HRF-630A\*7)
8. 2 sertarepentrufructeșilegume(HRF-628A\*6)  
1 sertare de hidratantă&2 sertarepentrufructeșilegume (HRF-630A\*7)

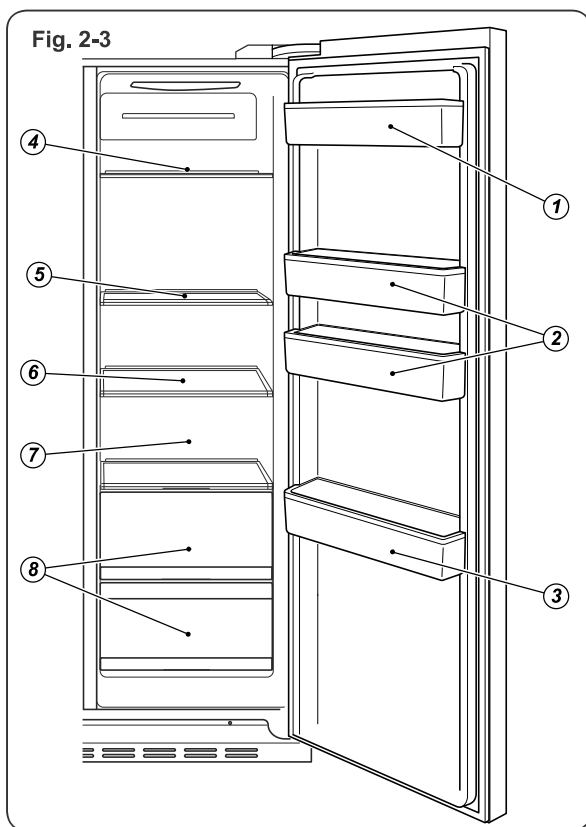
9. 2 recipiente în ușa frigiderului
10. Capac interior bar
11. 4 rafturi de depozitare în frigider
12. Lumină LED frigider

Fără CFC și fără gheață

Opțiuni de extra-îngheț, de extra-răcire și de vacanță

Afișajul automat al temperaturii

RO



## Despre compartimentul pentru alimente proaspete

Se recomandă lăsarea unui spațiu liber între alimente, pentru o bună circulație a aerului rece. Temperaturile din congelator sunt ușor mai ridicate în apropierea părții superioare și mai scăzute în apropierea bazei.

Alimentele cu probabilitate mare de alterare rapidă trebuie amplasate în apropierea părții din spate a aparatului - unde este cel mai rece.

Sugestii pentru depozitare (Fig.2-3):

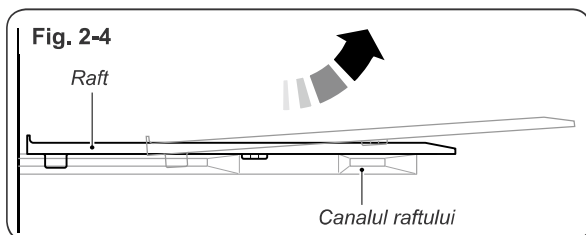
1. Ouă, unt, brânză etc.
2. Cutii de conserve, condimente etc.
3. Băuturi și toate categoriile de alimente îmbuteliate.
4. Alimente murate, băuturi sau cutii de conserve.
5. Carne, carne de pasăre, pește și alimente nepreparate.
6. Făinoase, cutii de conserve, produse lactate etc.
7. Preparate din carne, cârnați etc.
8. Fructe, legume sau salate.

## Rafturi

Înălțimea rafturilor poate fi reglată conform necesităților dvs de depozitare.

Rafturile nu vor ieși accidental la scoaterea de alimente din aparat.

**▲ La reglarea înălțimii unui raft, mai întâi scoateți toate alimentele amplasate pe raft.**



## Rafturi

Pentru a scoate raftul, înclinați partea frontală în sus, astfel încât umerii de fixare să se desprindă de ghidajele laterale (Fig. 2-4) și trageți raftul spre dvs. Păstrați raftul înclinat, pentru a permite opritoarelor de fixare să degajeze ghidajele laterale.

La re poziționare, asigurați-vă că raftul este împins complet în spate și că opritoarelor de fixare se află într-o locație sigură.

## Iluminarea

Ledul interior se aprinde la deschiderea ușii. Comportarea luminii nu este afectată de niciuna dintre celelalte setări ale aparatului.

## Despre compartimentul congelator

Compartimentul congelator este alcătuit din 2 sertare, un raft pentru înghețată, 3 rafturi din sticlă și 2 rafturi în ușă (Fig. 2-5).

În ceea ce privește frigiderul, anumite zone ale congelatorului sunt mai adecvate pentru depozitarea anumitor alimente.

Înghețatele și gheața se păstrează cel mai bine în raftul pentru înghețată sau în partea din spate a aparatului, unde temperatura este cea mai scăzută.

Alimentele de dimensiuni mai mari/mai grele, precum antricoatele pentru prăjit, se depozitează cel mai bine în sertarele de la baza aparatului, în timp ce alimentele mai puțin grele se vor depozita pe rafturi - aceasta pentru a împiedica deteriorarea aparatului.

Trebuie să vă asigurați întotdeauna că alimentele depozitate sunt adecvate pentru congelare, precum și că au fost depozitate în siguranță în interiorul aparatului.

- ▲ Păstrați o distanță de peste 10 mm între alimentele depozitate și senzor, pentru a asigura efectul de răcire.
- ▲ Vă rugăm să păstrați în ordine sertarul cel mai de jos când congelatorul funcționează, pentru a asigura efectul de răcire.

## Rafturi

Pentru a scoate raftul, înclinați partea frontală în sus, astfel încât umerii de fixare să se desprindă de ghidajele laterale (Fig. 2-6) și trageți raftul spre dvs. Păstrați raftul înclinat, pentru a permite opritoarelor de fixare să degajeze ghidajele laterale.

La re poziționare, asigurați-vă că raftul este împins complet în spate și că opritoarele de fixare se află într-o locație sigură.

## Iluminarea

Ledul interior se aprinde la deschiderea ușii. Comportarea luminii nu este afectată de niciuna dintre celelalte setări ale aparatului.

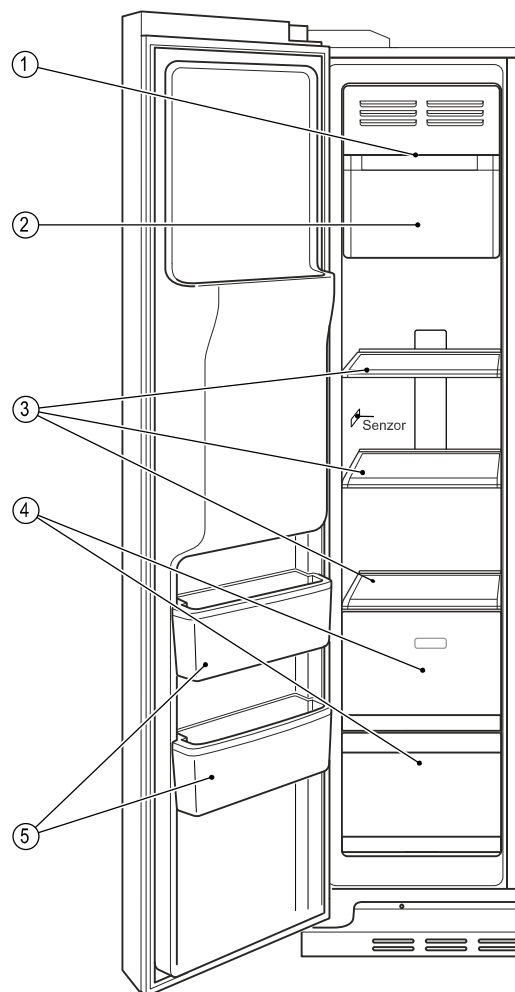
## Dezghețarea alimentelor pentru preparare

Dacă alimentele se decongelează sau se dezgheață parțial, acestea trebuie consumate în cel mai scurt timp posibil deoarece calitatea acestora este afectată prin dezghețare.

- ▲ Asigurați-vă întotdeauna că alimentele sunt bine dezghețate înainte de a fi gătite și că nu rămân cristale de gheață. Aceasta este important mai ales pentru carnea de pasăre, deoarece prezența cristalelor poate fi extrem de dăunătoare sănătății.

Respectați întotdeauna instrucțiunile de dezghețare de pe ambalaj la dezghețarea semipreparatelor - instrucțiunile producătorului sunt întotdeauna cele mai indicate deoarece unele alimente congelate trebuie gătite din stare congelată.

Fig. 2-5



- |                            |                              |
|----------------------------|------------------------------|
| 1. Raft pentru înghețată   | 3. Rafturi pentru depozitare |
| 2. Recipient pentru gheață | 4. Sertare pentru depozitare |
|                            | 5. Recipiente în ușă         |

Fig. 2-6

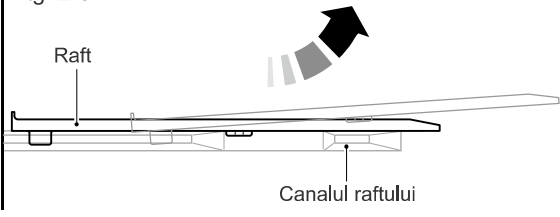


Fig. 2-7

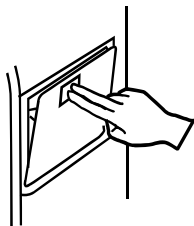


Fig. 2-8

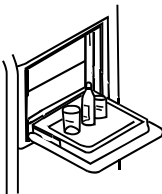


Fig. 2-9

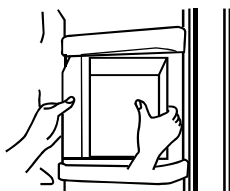
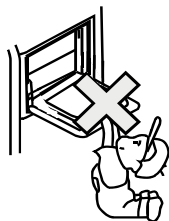


Fig. 2-10



## Mașină de gheață/Distribuitor de apă Precauții

- Nu expuneți NICIODATĂ conducta de apă la temperaturi sub 0 °C pentru a evita înghețul.
- Testați tubulatura la scurgeri prin spălarea tubului cu apă, până când curge apă curată.
- După amplasarea aparatului în locația dorită, asigurați-vă că tubul de apă este amplasat astfel încât să nu provoace deteriorări prin coturi și bucle și că este amplasat la distanță de orice sursă de căldură.
- Producția de gheață va începe imediat ce temperatura din interiorul congelatorului atinge -12 °C.
- NU utilizați în exces mașina de gheață. Dacă încercați să utilizați butonul pentru cuburi de gheață prea frecvent, acesta va intra în modul oprire. Acest lucru este perfect normal, fiind necesar un interval de așteptare de o oră înainte de a încerca să-l reutilizați.
- NU utilizați pahare delicate sau fragile.
- NU atingeți cu mâinile orificiul de evacuare a cuburilor de gheață sau alte echipamente atașate, pentru evita vătămrile corporale sau deteriorările.
- NU adăugați apă manual - acesta este un sistem de apă automat. Dacă mașina de gheață este pornită, dar aparatul nu este conectat la o sursă de apă, mașina de gheață nu va funcționa.

## Modul de funcționare a mașinii de gheață

Capacitatea de fabricare a gheții este 1 kg/24 de ore. Această cifră este rezultatul testelor de laborator efectuate în condițiile unei temperaturi ambiante de 32 °C. În cursul utilizării zilnice a aparatului, din cauza valorilor diferite ale temperaturii ambiante și ale presiunii apei, capacitatea de fabricare a gheții poate fi ușor diferită.

Nu depozitați cuburile de gheață generate în primul lot de cuburi de la pornirea aparatului sau după o pauză prelungită. Aruncați aceste cuburi.

Pentru a permite umplerea la capacitate maximă a tăvii cu cuburi de gheață, va fi necesară o aranjare manuală periodică a cuburilor de gheață.

Este posibil ca unele cuburi de gheață să se lipească unele de altele atunci când sunt lăsate să cadă în cutia de depozitare - pentru a permite o utilizare la maximum a recipientului pentru gheață, va fi necesară separarea acestora.

## Barul

- Pentru deschiderea barului, apăsați pe butonul compartimentului (Fig. 2-7). Compartimentul barului se deschide.  
Barul poate fi utilizat fără deschiderea ușii aparatului, ceea ce permite economisirea energiei.  
La deschiderea barei, lumina congelatorului se aprinde.
  - În bar puteți așeza băuturi și alte alimente (Fig. 2-8).
  - Nu îndepărtați capacul interior al barului (Fig.2-9). Barul nu va funcționa în cazul îndepărtării capacului.
  - Nu permiteți accesul copiilor la bar (Fig. 2-10). În caz contrar, copiii se pot răni, iar barul se poate deteriora.
- ⚠ Închideți barul cât mai rapid posibil, pentru a menține o temperatură scăzută în interiorul aparatului. Sistemul de avertizare este activat dacă ușa nu este închisă corespunzător.

### Prima utilizare a mașinii de gheață/ distribuitorului de apă

▲ **NU consumați primele (aproximativ) șapte pahare cu apă, deoarece conductele de apă pot conține praf și/sau impurități.**

Aceasta va asigura curățarea conductelor. Dacă aveți dubii, utilizați distribuitorul în continuare până când obțineți apă curată.

### Zgomote pe durata producerii gheții

Procesul de producere a gheții poate fi zgomotos. Este posibil să auziți gheața căzând în compartimentul de depozitare. Acest lucru este perfect normal.

### Depozitarea gheții pentru perioade extinse

Gheața depozitată pentru o perioadă extinsă de timp poate căpăta o culoare opacă și poate avea un miros ciudat. Vă recomandăm să aruncați această gheață, să scoateți și să curățați recipientul pentru gheață. Lăsați tava să se usuce bine și să se răcească înainte de a o reintroduce în aparat, pentru a împiedica lipirea gheții.

### Împiedicarea fabricării gheții

Dacă nu aveți nevoie de gheață pentru o perioadă extinsă de timp (adică în timpul iernii), puteți opri supapa dintre sursa de alimentare cu apă și aparat. Se recomandă să curățați recipientul pentru gheață, să-l uscați cu atenție și să-l reintroduceți în aparat - aceasta va preveni formarea mirosurilor.

### Instalarea și demontarea sertarului de depozitare a cuburilor de gheață

Pentru a scoate recipientul pentru gheață, ridicați partea de mijloc a sertarului și apoi trageți-l afară, eliberând unitatea (Fig. 2-11).

Notă: Este posibil ca umezeala să se fi condensat și să fi determinat blocarea recipientului pentru gheață la locul său prin înghețare.

Dacă recipientul pentru gheață nu se montează ușor, scoateți-l și rotiți mecanismul cu camă cu 90° în sensul acelor de ceasornic (Fig. 2-12). Remontați recipientul pentru gheață, asigurându-vă că opritorul de pe tavă se potrivește în fanta raftului.

### Dacă mașina de gheață nu funcționează corespunzător

Volumul recipientului pentru gheață este egal cu cantitatea cuburilor de gheață pe care aparatul le poate fabrica într-o zi. Ocazional, un număr redus de cuburi de gheață pot rămâne în interiorul recipientului. Dacă gheața se înțepenește, acest lucru va avea drept rezultat funcționarea anormală a mașinii de cuburi gheață. Pentru a evita această problemă, scoateți recipientul pentru gheață, rearanjați cuburile de gheață și scoateți cuburile de gheață care nu se pot separa.

- ▲ Mențineți întotdeauna curat orificiul de evacuare a cuburilor de gheață și nu-l obstrucționați niciodată.
- ▲ Dacă scoateți recipientul pentru gheață, veți obține un spațiu suplimentar pentru depozitarea alimentelor; vă rugăm să instalați suportul pentru sticle furnizat suplimentar în poziția situată deasupra orificiului de intrare de pe congelatorului, pentru o depozitare facilă a alimentelor (Fig. 2-13).

Fig. 2-11

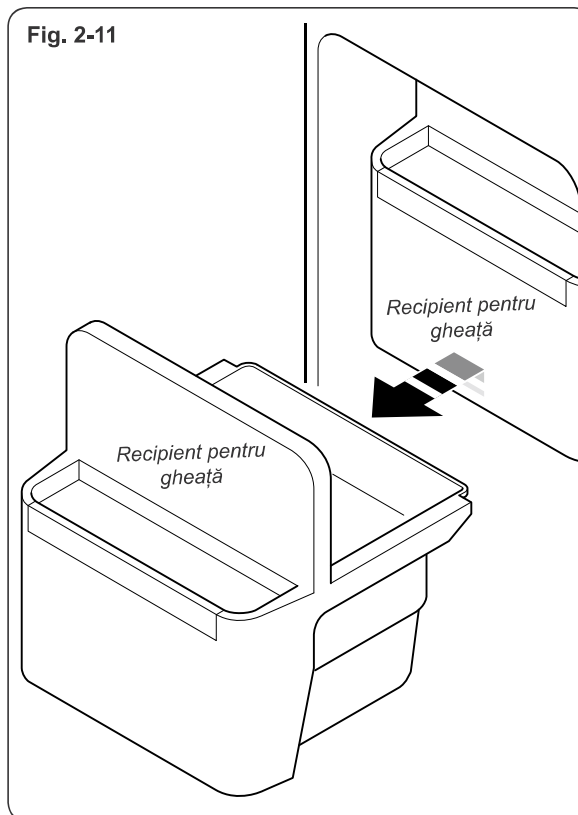


Fig. 2-12

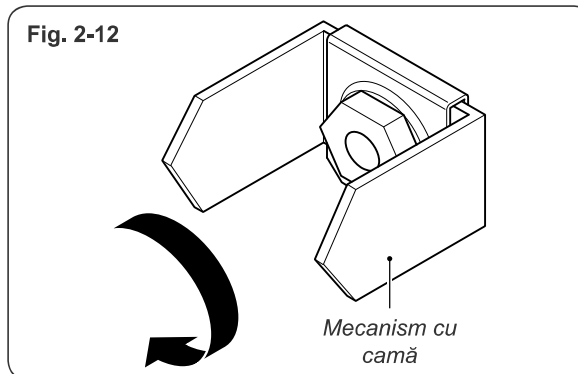
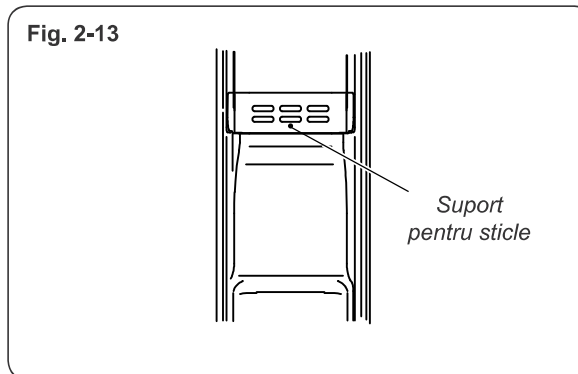


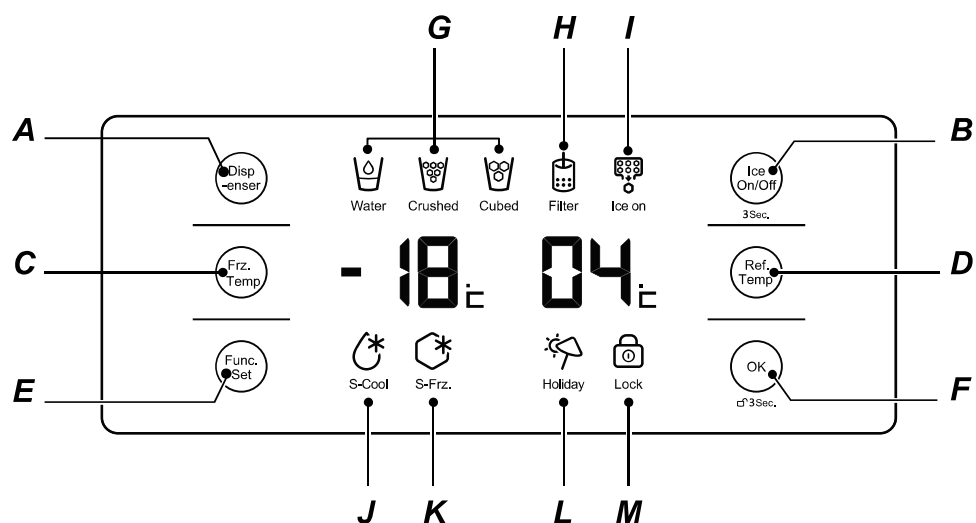
Fig. 2-13



RO

## Utilizarea frigiderului-congelator

Fig. 2-14



A – Buton selector distribuitor

F – Buton confirmare funcție

J – Pictogramă de răcire rapidă

B – Buton pornire/oprire mașină de gheață

G – pictogramă de stare a distribuitorului

K – Pictogramă de înghețare rapidă

C – Buton temperatură congelator

H – Pictogramă de modificare a stării filtrului

L – Pictogramă mod vacanță

D – Buton temperatură frigider

I – Pictogramă de stare mașină de gheață pornită

M – Pictogramă de blocare

E – Buton selector funcție

Afișajul digital și butoanele funcționale ale distribuitorului de apă și de gheață sunt afișate în Fig. 2-14.

### ▲ AVERTISMENT!

În modul Înghețare rapidă sau în modul Blocare nu este posibilă reglarea temperaturii aparatului. Dacă încercați să reglați setările în aceste moduri, pictograma funcției speciale amplasată lângă pictograma afișajului temperaturii congelatorului va lumina intermitent, fiind însoțită de un semnal acustic pentru a vă indica faptul că nu puteți regla temperatura în acel moment.

Fig. 2-15

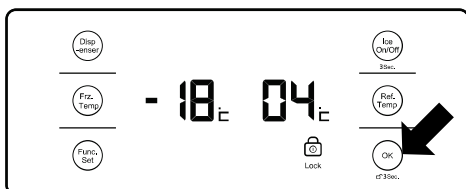


Fig. 2-16

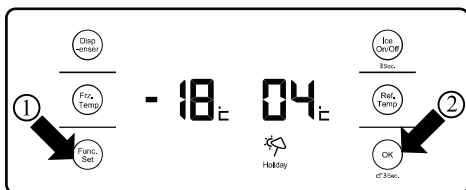
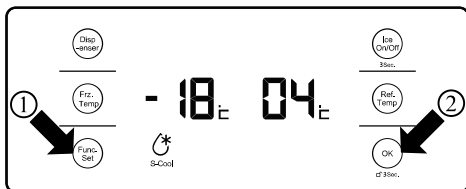


Fig. 2-17



## Mod blocare

Această caracteristică va bloca setările de temperatură și de funcții. În stare blocată, pictograma de blocare va fi afișată intermitent și se va auzi un semnal sonor.

### Pentru blocare

Mențineți apăsat butonul „OK” timp de 3 secunde (Fig. 2-15). Pictograma LOCK se va activa, iar congelatorul se va bloca.

### Pentru a debloca

Mențineți apăsat butonul „OK” timp de 3 secunde. Pictograma LOCK se va dezactiva, iar congelatorul se va debloca.

## Modul vacanță

▲ AVERTISMENT! Înainte de a selecta modul Vacanță, scoateți toate alimentele și băuturile din compartimentul frigider deoarece poate fi nesigură consumarea acestora după o perioadă scurtă de timp.

Această caracteristică permite lăsarea neutilizată a secțiunii frigiderului, în timp ce congelatorul funcționează normal. În acest mod, frigiderul va fi setat automat la 17 °C.

### Pentru pornire

1. Apăsați pe butonul „FUNC.SET” până la selectarea modului Vacanță (Fig. 2-16).
2. Acum apăsați pe butonul „OK”: pictograma modului HOLIDAY se va aprinde.

### Pentru a dezactiva

1. Apăsați pe butonul „FUNC.SET” până la selectarea modului Vacanță.
2. Acum apăsați pe butonul „OK”: pictograma modului HOLIDAY se va stinge.

## Modul răcire rapidă

Această funcție are rolul de răcire rapidă a alimentelor, astfel încât acestea să rămână proaspete cât mai mult timp cu putință. Utilizați această caracteristică înainte de a introduce cantități mari de alimente în compartimentul frigider la un moment dat.

Modul Răcire rapidă se va dezactiva după ce s-a atins temperatura setată.

### Pentru pornire

1. Apăsați pe butonul „FUNC.SET” până la selectarea modului Răcire rapidă (Fig. 2-17).
2. Acum apăsați pe butonul „OK”: pictograma S-COOL se va aprinde.

### Pentru a dezactiva

1. Apăsați pe butonul „FUNC.SET” până la selectarea modului Răcire rapidă.
2. Acum apăsați pe butonul „OK”: pictograma S-COOL se va stinge. Modul Răcire rapidă este acum dezactivat.

## Modul Înghețare apidă

Această funcție este concepută să congeleze complet alimentele, în cel mai scurt timp posibil, pentru a păstra substanțele nutritive pe care le conțin alimentele.

Modul Înghețare rapidă se va dezactiva după ce s-a atins temperatura setată.

Utilizați această caracteristică înainte de a introduce cantități mari de alimente în compartimentul congelator la un moment dat. Recomandăm activarea modului Înghețare rapidă cu 12 ore în avans, deoarece astfel temperatura din congelator va fi redusă înainte de introducerea alimentelor în acesta.

### Pentru pornire

1. Apăsăți pe butonul „FUNC.SET” până la selectarea modului Înghețare rapidă (Fig. 2-18).
2. Acum apăsați pe butonul „OK”: pictograma S-Frz. se va activa.

### Pentru a dezactiva

1. Apăsăți pe butonul „FUNC.SET” până la selectarea modului Înghețare rapidă.
2. Acum apăsați pe butonul „OK”: pictograma S-Frz. se va dezactiva. Modul Înghețare rapidă este acum dezactivat.

## Reglarea temperaturii alimentelor proaspete

Apăsăți pe butonul „Ref. Temp” (Fig. 2-19). Afișajul temperaturii frigiderului va începe să lumineze intermitent, deci frigiderul se află în modul de setare a temperaturii.

Apăsăți pe butonul „Ref. Temp” pentru a parcurge pe rând intervalul de temperatură al frigiderului între 09 °C și 01 °C.

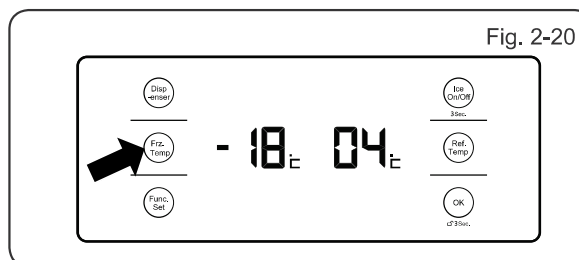
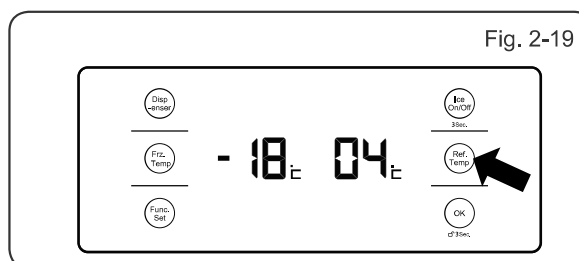
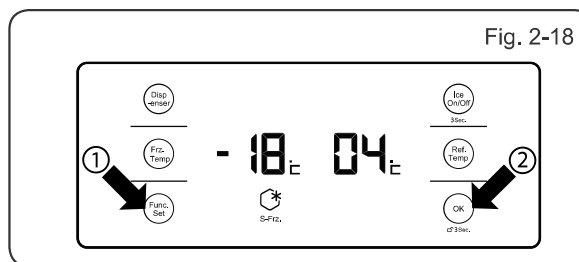
Dacă nu se mai execută nicio altă operație timp de 5 secunde, luminarea intermitentă va înceta, iar temperatura va fi setată. De asemenea, temperatura se va menține afișată în momentul în care apăsați oricare alt buton în timpul luminării intermitente.

## Reglarea temperaturii congelatorului

Apăsăți pe butonul „Frz. Temp” (Fig. 2-20). Temperatura congelatorului va începe să lumineze intermitent, ceea ce înseamnă că secțiunea congelatorului se află în modul de setare a temperaturii.

Apăsăți pe butonul „Frz. Temp” pentru a parcurge pe rând intervalul de temperatură al congelatorului între -14 °C și -24 °C.

Dacă nu se mai execută nicio altă operație timp de 5 secunde, luminarea intermitentă va înceta, iar temperatura va fi setată. De asemenea, temperatura se va menține afișată în momentul în care apăsați oricare alt buton în timpul luminării intermitente.



## Utilizarea distribuitorului de apă și de gheață

Acest frigider - congelator are trei opțiuni disponibile: apă rece, gheață zdrobită și cuburi de gheață.

Pentru a evita scurgerile, asigurați-vă ÎNTOTDEAUNA că așezați paharul în distribuitor înainte de a efectua selecția. Se recomandă utilizarea unei cești de 80 mm diametru sau mai mare atunci când se preia gheață de la distribuitor.

### Pornirea/oprirea mașinii de gheață

La prima pornire a frigiderului-congelator, mașina de gheață este implicit oprită.

#### Pentru pornire

- Apăsați pe butonul „ICE MAKER ON/OFF” timp de 3 secunde. Pictograma Ice Maker On se va activa, iar mașina de gheață va începe să funcționeze.

#### Pentru a dezactiva

- Apăsați pe butonul „ICE MAKER ON/OFF” timp de 3 secunde. Pictograma Ice Maker On se va dezactiva, iar mașina de gheață va înceta să funcționeze.

**IMPORTANT:** Asigurați-vă că goliți containerul mașinii de gheață înainte de a opri mașina de gheață, deoarece gheața se va topi, transformându-se în apă.

### Furnizarea apei reci

1. Țineți paharul la distribuitor.
2. Apăsați pe butonul Dispenser Selector pentru a selecta opțiunea de apă rece. Pictograma WATER va lumina.
3. Apăsați ușor paharul pe comutatorul manetei, iar apa rece se va elibera în pahar.

### Furnizarea de gheață zdrobită

1. Țineți paharul la distribuitor.
2. Apăsați pe butonul Dispenser Selector pentru a selecta opțiunea de gheață zdrobită. Pictograma CRUSHED va lumina.
3. Apăsați ușor paharul pe comutatorul manetei, iar gheața zdrobită se va elibera în pahar.

### Furnizarea de cuburi de gheață

1. Țineți paharul la distribuitor.
2. Apăsați pe butonul Dispenser Selector pentru a selecta opțiunea de cuburi de gheață. Pictograma CUBED va lumina.
3. Apăsați ușor paharul pe comutatorul manetei, iar cuburile de gheață se vor elibera în pahar.

### Schimbarea filtrului de apă

Apariția pictogramei Filter Change Status indică faptul că este necesară schimbarea filtrului de apă (aproximativ o dată la fiecare 6 luni). După încheierea modificării, apăsați pe butonul Func. Set timp de 3 secunde; pictograma Filter Change Status va dispărea.

## Siguranță

- ▲ NU utilizați pahare extrem de adânci, înguste, fragile sau delicate.
- Țineți paharul cât mai aproape posibil de distribuitor, pentru a evita vărsarea apei, căderea gheții sau blocajele în distribuitorul de cuburi de gheață.
- La cinci secunde după livrarea finală de gheață sau de apă, clapeta distribuitorului se va închide cu un sunet sec. Țineți paharul nemișcat timp de alte 2-3 secunde (pentru gheață), 1-2 secunde (pentru apă) după ce ați umplut paharul și ați eliberat comutatorul manetei, deoarece este posibilă producerea unei cantități suplimentare de apă sau de gheață.
- Curățați cu regularitate distribuitorul.
- Pentru menținerea calității apei, este necesară înlocuirea periodică a filtrului. Se recomandă înlocuirea filtrului de apă la fiecare 6 luni. Totuși, dacă sunt prezente semne de deteriorare a calității apei, fie vizual, fie gustativ, atunci filtrul trebuie înlocuit mai curând.
- Este posibil ca în locul cuburilor de gheață să fie distribuită gheață zdrobită, dacă aceasta a fost ultima opțiune selectată.
- ▲ Nu așezați NICIODATĂ băuturi sau alimente la conservă în interiorul distribuitorului, deoarece aceasta va distruge mecanismul de zdrobire.
- ▲ NU atingeți distribuitorul și nu scoateți capacul mașinii de gheață pentru a preveni vătămările corporale accidentale sau deteriorarea aparatului.
- Nu trebuie consumată prima porție de apă (circa șapte pahare) și de cuburi de gheață (circa 20 de bucăți) după pornirea inițială sau după o pauză îndelungată de funcționare. Aruncați-le în consecință.
- Pentru a preveni deteriorarea mecanismului, nu amplasați cuburi de gheață care nu au fost produse de mașina de gheață în sertarul de depozitare.
- Alimentarea insuficientă cu apă poate conduce la generarea de cuburi de gheață de mici dimensiuni. Alimentarea cu apă în exces poate conduce la cuburi de dimensiuni mai mari, care se pot lipi unele de altele, pot provoca scurgeri și pot bloca distribuitorul. Reglați robinetul sau contactați un inginer de service.

## Dezghețarea automată

Nu este necesară dezghețarea congelatorului, deoarece acest aparat este prevăzut cu dezghețare automată.

- ▲ NU utilizați dispozitive mecanice pentru accelerarea procesului de dezghețare - cu excepția cazului în care acestea sunt de un tip recomandat de către producător.

## Funcția de alarmă

Dacă lăsați o ușă deschisă pentru mai mult timp sau închideți o ușă în mod necorespunzător, frigiderul-congelator va emite semnale sonore la intervale regulate, pentru a vă aminti să închideți ușa în mod corespunzător.

## Deconectare afișaj

După 30 de secunde, afișajul digital se va deconecta până când frigiderul-congelator este utilizat din nou.

### 3. Sfaturi pentru depozitarea alimentelor

---

#### Sfaturi pentru depozitarea alimentelor proaspete

- Păstrați temperatura frigiderului sub 5°C.
  - Date de tip „A se consuma înainte de” și „Dată de expirare”. Alimentele cu dată de expirare vor expira destul de repede. Consumul acestora după data respectivă poate fi periculos. Alimentele cu etichete de tip „A se consuma înainte de” durează mai mult. Aceste alimente pot fi consumate în siguranță după această dată, dar este posibil să nu fie de cea mai bună calitate.
  - Asigurați-vă că alimentele preparate și care necesită răcire sunt la temperatura camerei înainte de a le introduce în frigider-congelator. Asigurați-vă că aceste alimente sunt depozitate în recipiente corespunzătoare.
  - Alimentele depozitate în congelator trebuie spălate și uscate înainte de depozitare.
  - Când sunt introduse în congelator, este cel mai bine ca unele produse să fie lăsate în ambalajul original al producătorului. Dacă acestea sunt despachetate, se recomandă să fie împachetate din nou, pentru a nu permite evaporarea apei. Unele fructe și legume se mențin mai proaspete, iar mirosurile alimentelor nu se vor combina dacă acestea sunt ambalate.
  - Alimentele depozitate pot fi marcate în pungi sau recipiente.
  - Alimentele consumate zilnic trebuie depozitate în partea din față a raftului.
  - Asigurați-vă că alimentele sunt depozitate sistematic (carnea crudă la carne crudă, lactatele la lactate), pentru a evita transferul de mirosuri și contaminarea încrucișată. Carnea crudă trebuie depozitată la baza frigiderului, pentru a preveni posibilitatea de curgere a picăturilor pe alimentele nepreparate. Alte alimente trebuie depozitate deasupra cărnii crude.
  - La depozitarea de alimente în secțiunea pentru alimente proaspete, asigurați-vă întotdeauna că rămâne spațiu suficient pentru circulația debitului de aer. Aceasta contribuie la menținerea duratei de păstrare a alimentelor.
  - Când depozitați alimente în congelator, asigurați-vă că acestea nu sunt prea apropiate de peretele din spate, pentru a evita pericolul de îngheț.
  - Se recomandă eliminarea frunzelor la ridichi și la alte legume rădăcinoase. Aceasta asigură menținerea substanțelor nutritive în rădăcină, nu absorbția acestora în frunze.
  - Amplasați alimentele congelate în zona pentru alimente proaspete, pentru a le permite să se dezghețe. Temperatura scăzută din congelator atenuează formarea de bacterii și prelungește durata de viață a alimentelor.
  - Unele alimente precum ceapa, usturoiul, bananele și legumele rădăcinoase se depozitează mai bine la temperatura camerei decât în frigider.
  - Pepenele verde, ananasul și bananele pot fi depozitate direct în congelator după preparare, în vederea depozitării pentru o perioadă mai îndelungată.
  - Ambalarea corespunzătoare a alimentelor proaspete, utilizarea temperaturii corecte și respectarea normelor de igienă a alimentelor vor spori calitatea alimentelor proaspete depozitate în acest aparat.
  - Utilizați pungi din plastic, folie de aluminiu sau alte ambalaje alimentare pentru a acoperi alimentele proaspete neambalate, pentru a evita transferul de mirosuri și a preveni contaminarea.
  - Înainte de depozitarea alimentelor în ambalaje multiple (adică iaurtul), îndepărtați toate ambalajele în exces.
- ▲ Nu depozitați NICIODATĂ în interiorul aparatului obiecte inflamabile, volatile sau explozive.
- Băuturile cu conținut ridicat de alcool trebuie depozitate vertical, în recipiente bine etanșate.
  - Alimentele delicate vor fi depozitate în cea mai rece zonă a aparatului.
  - Încercați să nu deschideți ușa prea frecvent.
  - Setați termostatul astfel încât să vă asigurați că alimentele se mențin adecvat de reci; încercați să evitați înghețul în frigider. Utilizarea unui termometru vă va ajuta să apreciați temperatura din frigider. Amplasați-l într-un pahar cu apă și lăsați-l câteva ore în interiorul aparatului, pentru a obține o valoare de încredere.
  - Unele alimente conțin uleiuri și acizi naturali (de ex. acidul citric) care pot deteriora materialele plastice în caz de vărsare - asigurați-vă că aceste alimente sunt depozitate în recipiente corespunzătoare.
  - Prezența unor mirosuri neplăcute în frigider constituie un semn că s-a vărsat ceva și că este necesară curățarea. Prin utilizarea de apă caldă cu bicarbonat de sodiu se va curăța interiorul aparatului și se vor elimina majoritatea substanțelor vărsate (consultați „Curățare și întreținere”).
  - Nu uitați niciodată să scoateți alimentele perisabile din aparat înainte de a pleca în călătorii prelungite în vacanțe.

## Sfaturi pentru congelarea alimentelor

- Ca și la depozitarea alimentelor proaspete, ambalajul adecvat, temperatura corectă și igiena alimentelor vor îmbunătăți calitatea alimentelor pe care le congelați.
- Evitați să introduceți alimente fierbinți în congelator. Mai întâi lăsați-le să se răcească până când ajung la temperatura camerei.
- Asigurați-vă că toate alimentele de congelat sunt de calitate ridicată și adecvate pentru congelare.
- Utilizați un material de ambalare inodor și impermeabil la aer (precum pungile din plastic) pentru depozitarea alimentelor, astfel încât diferitele alimente să poată fi combinate fără a afecta calitatea. Asigurați-vă că acesta este impermeabil la aer. Un ambalaj care prezintă scurgeri va deshidrata produsele și va conduce la pierderea de vitamine benefice.
- Mențineți uscată suprafața ambalajului - aceasta împiedică lipirea ambalajelor prin congelare.
- Marcați ambalajele cu tipul de aliment pe care îl conțin și cu data de depozitare.
- Alimentele trebuie congelate rapid, deci se recomandă ca ori de câte ori este posibil să se congeleze porții mici și să vă asigurați ca acestea să fie cât mai reci posibil înainte de depozitare. Greutatea maximă recomandată pentru fiecare porție este de 2,5 kg.
- Păstrați la distanță alimentele proaspete de cele deja congelate; dacă trebuie să congelați alimente proaspete zilnic, asigurați-vă că acestea sunt separate în porții mici pentru a împiedica acest lucru.
- Nu depășiți sarcina maximă pentru înghețare, specificată la 10 kg pentru 24 de ore (consultați specificația pentru detalii).
- Scrieți data de expirare și numele alimentelor pe partea exterioară a ambalajului, pentru a cunoaște tipul alimentului și data până la care poate fi consumat în siguranță.
- Scoateți alimentele din congelator pentru a le dezgheța, atunci când este necesar. Alimentele dezghețate nu pot fi reînghețate decât dacă sunt preparate.
- Nu introduceți în congelator o cantitate prea mare de alimente proaspete simultan. Acestea pot depăși capacitatea de răcire a congelatorului (consultați „Date tehnice”).
- La depozitarea alimentelor comercializate în stare congelată, vă rugăm să respectați următoarele instrucțiuni:
  - Respectați întotdeauna indicațiile producătorului cu privire la durata de depozitare a alimentelor. Nu depășiți aceste termene indicate!
  - Încercați să reduceți cât mai mult posibil intervalul de timp dintre achiziție și depozitare, pentru a conserva calitatea alimentelor.
  - Achiziționați alimente congelate care au fost depozitate la o temperatură de -18 °C sau mai joasă.
  - Evitați să achiziționați alimente care prezintă gheață sau chiciură pe ambalaj. Aceasta arată că este posibil ca produsele să fi fost parțial dezghețate și apoi reînghețate la un moment dat - creșterea temperaturii afectează calitatea alimentelor.
  - În cazul unei pene de curent sau dacă frigiderul/congelatorul suferă o defecțiune pentru o perioadă de timp mai îndelungată de 5 ore, se recomandă scoaterea alimentelor din congelator și, dacă este posibil, depozitarea lor într-un alt congelator în funcțiune sau într-o locație rece, igienică (adică garaj sau o zonă exterioară casei) până la restabilirea alimentării sau la repararea aparatului. Pentru a împiedica o creștere exagerată a temperaturii, trebuie să depozitați alimentele într-o cutie frigorifică sau să le ambalați în straturi de materiale izolante, precum hârtie de ziar, pentru a contribui la menținerea temperaturii. Este important ca orice aliment care se dezgheță să fie consumat sau preparat și recongelat (acolo unde este cazul) la puțin timp după aceea, pentru a preveni riscurile de sănătate.

## 4. Instalare

### Poziționarea aparatului

#### Alegerea locației corecte

Acest aparat trebuie instalat într-o încăpere uscată și bine ventilată. Pentru a se asigura o ventilație corespunzătoare, asigurați-vă că distanța dintre toate laturile congelatorului și echipamentele de bucătărie este mai mare de 10 cm (Fig. 4-1). Toate unitățile amplasate deasupra aparatului trebuie să se afle la o distanță de minim 10 cm, pentru a permite ventilarea suficientă.

Dacă se amplasează congelatorul prea aproape de un colț, este necesară alocarea unui spațiu suficient pentru deschiderea ușilor și scoaterea rafturilor (Fig. 4-2).

Acest aparat trebuie să se afle la minim 100 mm de orice cuptor electric sau cu gaz, respectiv la 300 mm de orice sobă cu cărbuni sau cu petrol. Dacă acest lucru nu este posibil, asigurați-vă că se utilizează o izolație corespunzătoare.

Evitați expunerea aparatului la lumină solară directă și la surse de căldură (precum radiatoare, încălzitoare sau cuptoare).

Dacă acest aparat va fi amplasat într-un mediu rece (precum șopron, dependințe sau garaj), acest lucru îi va afecta performanțele. Este posibil să constatați că performanțele aparatului nu sunt constante, ceea ce poate conduce la alterarea alimentelor. Se recomandă o temperatură ambiantă constantă de 10 °C sau superioară.

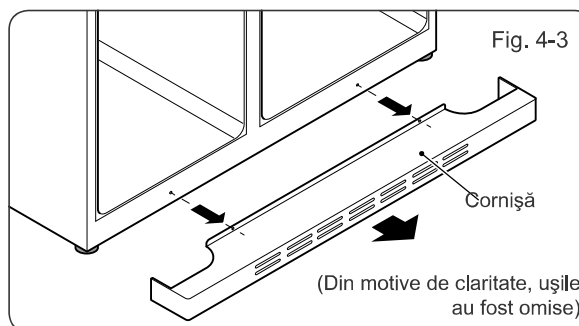
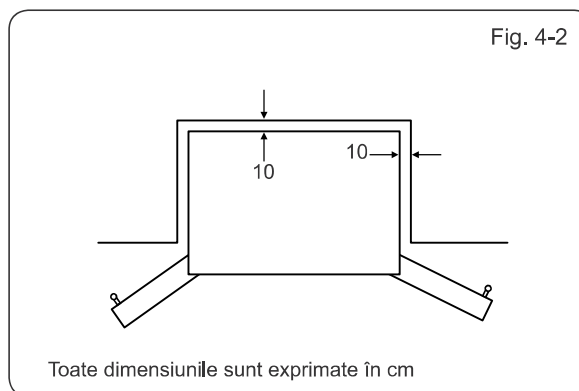
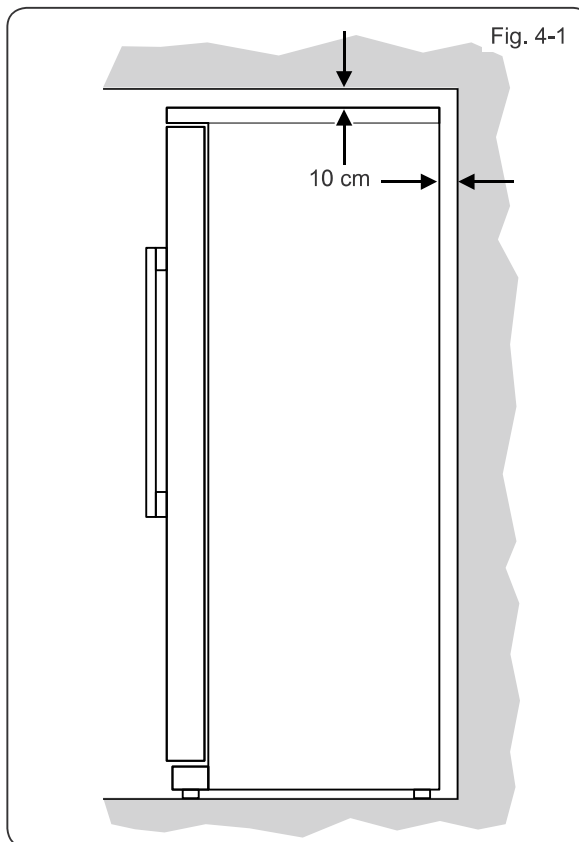


Fig. 4-4

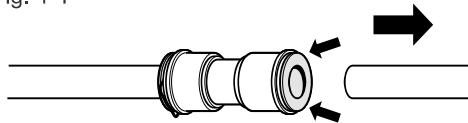


Fig. 4-5

Capac cu balamale

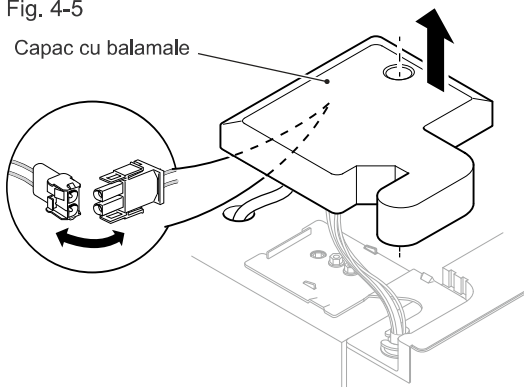


Fig. 4-6

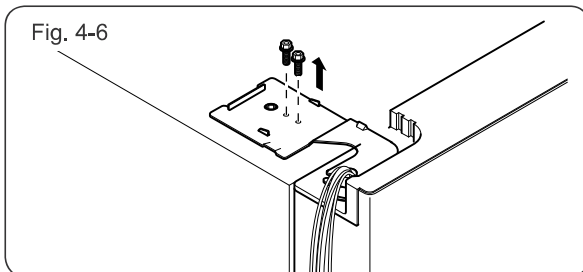


Fig. 4-7

Capac cu balamale

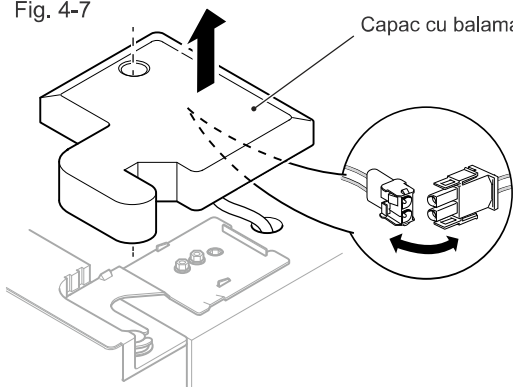
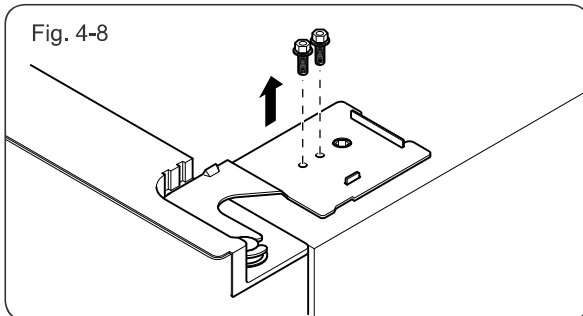


Fig. 4-8



## Scoaterea și montarea ușilor

- ▲ În eventualitatea în care este necesară scoaterea ușilor congelatorului, urmați instrucțiunile de demontare și de montare de mai jos.
- ▲ Pentru siguranța dvs., vă recomandăm să fiți asistat de două sau mai multe persoane în cursul execuției operației de mai jos, pentru a evita vătămările corporale, deteriorarea produsului sau pagube materiale.

Deșurubați și scoateți cele 2 șuruburi care susțin cornișa în poziție (Fig.4-3).

Scoateți cuplajul hidraulic: mențineți apăsat colierul așa cum este indicat (Fig. 4-4) și scoateți conducta de apă.

Scoateți capacul superior.

## Ușa congelatorului

1. Deșurubați șurubul capacului cu balamale și scoateți capacul (Fig. 4-5). Deconectați toate cablurile, cu excepția cablului de împământare.
2. Scoateți șuruburile care fixează balamaua superioară pe poziție și apoi scoateți balamaua (Fig. 4-6).
3. Ridicați ușa compartimentului congelatorului pentru a o scoate. În continuare, ridicați ușa suficient pentru a putea scoate complet conducta de apă din partea de jos.

## Ușa frigiderului

1. Deșurubați șuruburile capacului cu balamale și scoateți capacul (Fig. 4-7). Deconectați toate cablurile, cu excepția cablului de împământare.
2. Deșurubați șuruburile care fixează balamaua superioară pe poziția și apoi scoateți balamaua (Fig. 4-8).
3. Ridicați ușa compartimentului congelatorului pentru a o scoate.

## Remontarea ușii

Remontați ușile prin parcurgerea în ordine inversă a pașilor de la demontare.

RO

## Egalizarea frigiderului-congelator și reglarea ușilor

Asigurați-vă că aparatul se află pe o podea orizontală solidă. Dacă congelatorul este amplasat pe o plintă, trebuie utilizate materiale plate, solide și rezistente la foc.

Acest aparat prezintă piciorușe frontale reglabile, care se pot utiliza pentru nivelarea aparatului.

Introduceți o șurubelniță plată adecvată în fantele piciorușelor reglabile. Rotiți șurubelnița în sensul acelor de ceasornic pentru a ridica piciorușele, (Fig. 4-9), respectiv în sens invers acelor de ceasornic pentru a le coborî (Fig. 4-10).

## Nivelarea ușilor

Este posibil ca ușile să necesite o oarecare aliniere înainte de conectarea frigiderului-congelator la sursa de alimentare electrică. Aceasta se poate realiza prin reglarea piciorușelor de nivelare (Fig. 4-9 și Fig.4-10).

Pentru ridicarea ușii din stânga, rotiți piciorușul din stânga în sensul acelor de ceasornic, până când se realizează nivelarea (Fig. 4-11).

Pentru ridicarea ușii din dreapta, rotiți piciorul din dreapta în sensul acelor de ceasornic, până când se realizează nivelarea.

## Montarea mânerelor

Mănerele ușilor se fixează pe știfturile de montaj care sunt deja montate pe fiecare ușă (fig. 4-12).

Folositi cheia Imbus din punga kit-ului de instrucțiuni.

1. Așezați mânerul ferm pe știfturile de montaj

2. Folosind cheia Imbus, strângeți Șurubul știft, fixând mânerul pe ușă.

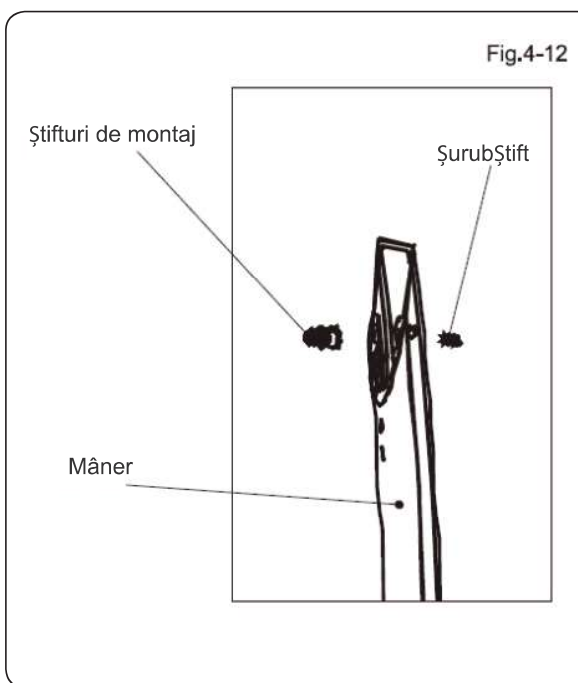
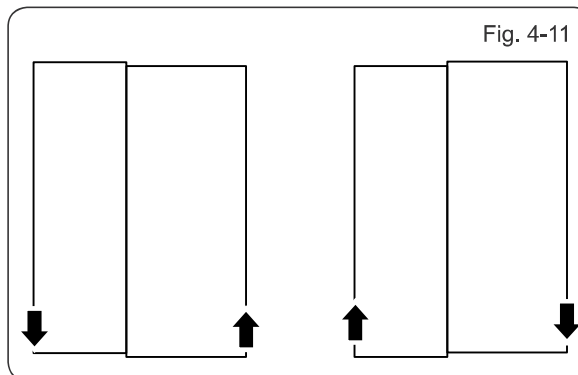
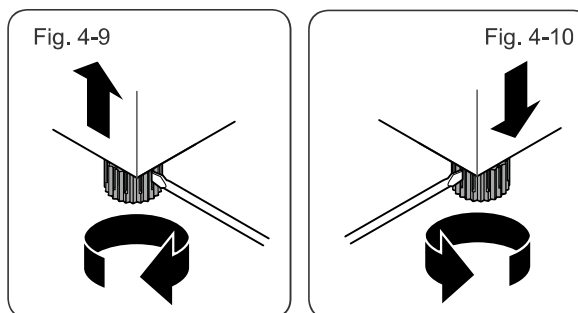
Nu strângeți șurubul prea tare.

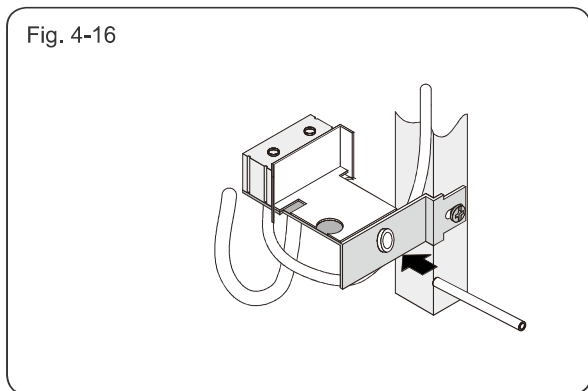
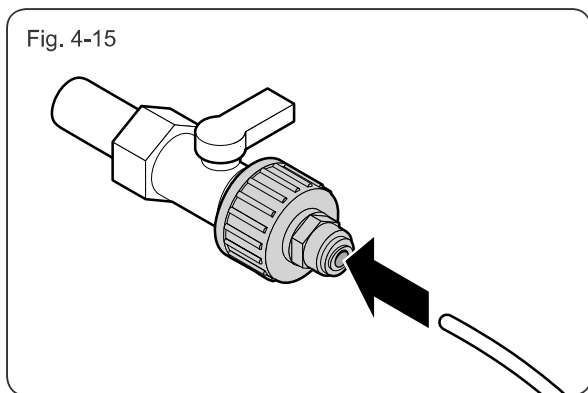
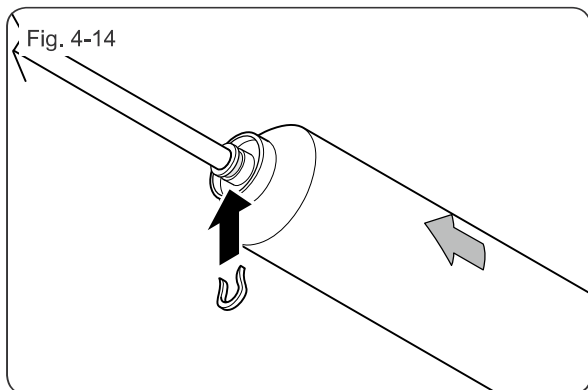
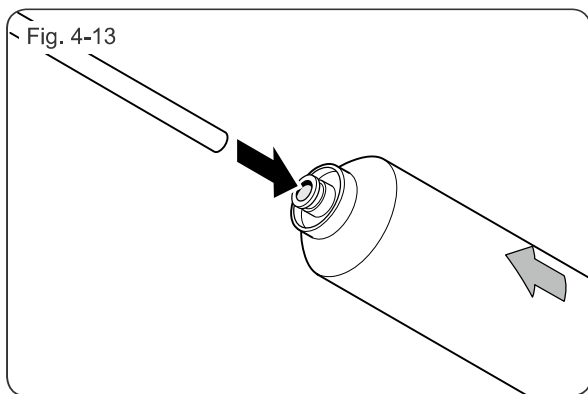
## Conexiunea cu sursa de alimentare electrică

Conectați aparatul la sursa de alimentare electrică (220 - 240 V ~ 50 Hz) cu ajutorul fișei și a cablului, care sunt furnizate.

Conexiunile cu sursa de alimentare de la rețea trebuie să fie în conformitate cu reglementările locale.

- ⚠ Aparatul trebuie conectat la o priză cu legare la pământ.
- ⚠ Asigurați-vă întotdeauna că fișa rămâne accesibilă după poziționarea aparatului.





## Racord la sursa de alimentare cu apă

▲ Se recomandă ca acest produs să fie instalat de către un tehnician calificat.

Notă: Pentru detalii de instalare suplimentare, consultați instrucțiunile aferente filtrului de apă.

- Presiunea apei reci furnizate la mașina automată de gheață este cuprinsă între 0,15 și 0,6 MPa.
- Tubul de apă trebuie să fie de o lungime corespunzătoare, de regulă 8 metri și nu trebuie să prezinte coturi după instalarea pe poziție. În cazul în care conducta de apă este prea lungă, presiunea apei se va diminua, afectând conținutul de gheață și de apă rece.
- NU racordați sursa de alimentare cu apă când temperatura ambiantă este sub 0°C, în caz contrar fiind posibil ca conducta de apă să înghețe.
- Racordați întotdeauna la conducta de apă potabilă.
- Feriți conducta de apă de surse de căldură.
- Filtrul de apă are rolul de a elimina impuritățile din apă, pentru a se obține o gheață curată și igienică. Acesta nu poate steriliza și nici distruge, deci aveți grijă să conectați conducta de apă la o sursă de apă potabilă.
- Sistem de alimentare cu apă automat, nu adăugați apă manual.
- Dacă mașina de gheață este pornită, dar aparatul nu este conectat la o sursă de apă, mașina de gheață nu va funcționa.

## Montarea filtrului de apă

Măsurați și tăiați conducta la lungimea necesară de la filtru la frigider-congelator, precum și de la filtru la sursa de apă. Asigurați-vă că ați realizat o tăiere uniformă, utilizând un cuțit ascuțit.

Introduceți prin împingere una dintre conducte în filtrul de apă (Fig. 4-13).

Fixați conducta la filtru prin glisarea unui colier de blocare în canal, așa cum se indică (Fig. 4-14).

Repetati procedura la celălalt capăt al filtrului.

Conectați extremitatea la adaptorul din plastic (Fig. 4-15). Înșurubați adaptorul într-un orificiu adecvat de admisie a apei de tip BSP cu diametru de ½ inch.

Accesați ansamblul supapei de alimentare cu apă din partea din spate a congelatorului. Introduceți conducta în ansamblul supapei (Fig. 4-16).

Deschideți supapa de apă pentru golirea conductei, verificați etanșeitarea îmbinărilor conductei de apă și lăsați apa să curgă până când este curată.

## Punerea în funcțiune a distribuitorului de apă

Înainte de prima utilizare, apăsați pe plăcuța distribuitorului de apă de mai multe ori, timp de 1 minut. Nu apăsați timp de peste 1 minut, pentru a împiedica supraîncălzirea solenoidului activatorului plăcuței. Apa rece va începe să curgă din orificiul de evacuare.

## 5. Curățare și întreținere

---

### Dezghețare

Dezghețarea se execută automat, astfel încât nu este necesară dezghețarea manuală a aparatului.

- ▲ NU utilizați dispozitive mecanice pentru a accelera procesul de dezghețare.

### Curățare

- ▲ Deconectați aparatul de la sursa de alimentare înainte de curățare.

Pentru a reduce la minimum mirosurile din interior, se recomandă curățarea periodică a rafturilor interioare, a rafturilor pentru fructe și legume, a recipientelor și a peretelui.

Goliți aparatul de alimente și scoateți rafturile.

Curățați interiorul utilizând apă caldă și bicarbonat de sodiu, cu ajutorul unei cârpe moi. Asigurați-vă că interiorul este uscat cu atenție, cu ajutorul unei cârpe corespunzătoare.

- ▲ NU utilizați abrazivi duri sau soluții de curățat agresive, deoarece acestea pot deteriora interiorul aparatului.

Rafturile și alte accesorii (componentele de plastic și sticlă) pot fi curățate în chiuvetă, utilizând soluție de vase și apă caldă. Asigurați-vă că săpunul a fost eliminat și că toate piesele sunt uscate înainte de a le reintroduce în interiorul aparatului.

Păstrați întotdeauna curate garniturile de etanșare a ușii.

- ▲ Frigiderul este greu. Când mutați frigiderul, aveți grijă să protejați podeaua. Păstrați congelatorul în poziție verticală și nu-l înclinați - aceasta împiedică deteriorarea podelei.
- ▲ NU pulverizați și nu clătiți frigiderul cu apă sau cu alte lichide. Aceasta poate deteriora piesele electrice.
- ▲ Utilizați o cârpă uscată când curățați în apropierea pieselor electrice (de ex. ledul sau comutatorul).
- ▲ NU curățați frigiderul cu o perie rigidă sau de sârmă.
- ▲ NU utilizați un solvent organic precum detergentul, benzina, lacul, diluanții, acetona sau acidul.
- ▲ Pentru a preveni lipirea pielii de piesele reci din oțel, asigurați-vă că nu aveți mâinile ude când atingeți aceste piese.
- ▲ NU utilizați apă FIERBINTE pentru curățarea rafturilor de sticlă, deoarece acestea se pot sparge sau pot crăpa.
- ▲ După instalarea unui filtru nou de apă, aruncați toată gheața produsă în primele 24 de ore.

### Oprirea congelatorului

În eventualitatea unei întreruperi a curentului, alimentele se vor menține reci timp de circa 5 ore.

În eventualitatea unei pene prelungite de curent, se recomandă scoaterea alimentelor din compartimentul congelatorului și depozitarea acestora într-o locație rece, înfășurate în mai multe straturi de hârtie de ziar, pentru a conserva o temperatură adecvată.

După restabilirea alimentării cu energie electrică, reintroduceți alimentele în compartimentul congelatorului.

Dacă alimentele încep să se dezghețe sau pana de curent durează mai mult decât s-a preconizat, se recomandă consumarea tuturor alimentelor scoase din congelator.

Dacă pana de curent este de scurtă durată, majoritatea alimentelor pot fi lăsate în interiorul compartimentului congelator - aceasta este cea mai bună metodă de menținere a temperaturii - înconjurate de cuburi de gheață din recipientul pentru gheață. De asemenea, aceasta este soluția ideală în cazul penelor de curent despre care ați fost informat anterior.

Când vă confrunțați cu o pană de curent de orice tip, nu adăugați alte alimente în congelator.

### Când nu utilizați aparatul

Când nu utilizați aparatul pentru o perioadă de timp prelungită, se recomandă deconectarea sursei de alimentare, scoaterea tuturor alimentelor din congelator, curățarea interiorului aparatului și menținerea ușii în poziție întredeschisă. Astfel, veți economisi energie și veți preveni formarea de mirosuri neplăcute la interior.

### Filtrul de apă

Pentru menținerea calității apei, este necesară înlocuirea periodică a filtrului. Se recomandă înlocuirea filtrului de apă la fiecare 6 luni. Totuși, dacă sunt prezente semne de deteriorare a calității apei, fie vizual, fie gustativ, atunci filtrul trebuie înlocuit mai curând.

## 6. Depanare

Înainte de a suna la service, vă rugăm să citiți tabelul următor: astfel puteți economisi timp și bani.

Problemă	Cauză	Soluție		
<b>Temperatura este prea scăzută</b>				
1.1	Temperatura din interiorul congelatorului este prea scăzută, dar temperatura alimentelor proaspete este corespunzătoare.	1.1.1 Temperatura din interiorul secțiunii congelatorului este setată la o valoare prea redusă.	1.1.1.1	Setați temperatura din congelator la o valoare ușor mai ridicată, apoi așteptați 24 de ore pentru realizarea noului echilibru.
1.2	Temperatura din compartimentul pentru alimente proaspete este prea redusă, în timp ce secțiunile congelatorului prezintă o temperatură adecvată.	1.2.1 Temperatura din zona pentru alimente proaspete a fost setată la o valoare prea redusă.	1.2.1.1	Setați temperatura din secțiunea pentru alimente proaspete la o valoare ușor mai ridicată. Temperatura va atinge un nou echilibru în decurs de 24 de ore.
1.3	Alimentele depozitate în compartimentul cu lățiime completă sunt înghețate.	1.3.1 Setarea de control din zona pentru alimente proaspete are o valoare prea redusă.	1.3.1.1	Stabiliți setarea de control pentru alimente proaspete la o valoare ușor mai ridicată. Noua temperatură de referință va atinge o valoare de echilibru în termen de 24 de ore.
1.4	Alimentele depozitate pe raftul pentru fructe și legume sunt înghețate.	1.4.1 Temperaturile setate pentru compartimentul pentru alimente proaspete sunt prea scăzute.	1.4.1.1	Ridicarea setărilor de control pentru alimentele proaspete la temperaturi ușor mai crescute și/sau reducerea setării de control pentru umiditate vor împiedica formarea de gheață sau de chiciură.
1.5	Pe afișajul distribuitorului apar coduri de eroare.	1.5.1 A survenit o problemă de operare electronică.	1.5.1.1	Sunați la inginerul de service, care poate diagnostica problema și poate efectua corecturi.
<b>Temperatura este prea ridicată</b>				
2.1	Temperaturile din secțiunile sertarelor congelatorului sau din compartimentul pentru alimente proaspete sunt prea ridicate.	2.1.1 Ușile se deschid frecvent sau pentru perioade prea lungi de timp.	2.1.1.1	Încercați să reduceți frecvența de deschidere a ușilor.
		2.1.2 Ușile sunt lăsate deschise.	2.1.2.1	Aveți grijă să păstrați garniturile de etanșare din jurul perimetrului ușilor în stare bună. Păstrați garniturile curate și fără impurități.
2.2	Temperatura este prea ridicată în congelator, dar este adecvată în secțiunea pentru alimente proaspete.	2.2.1 Temperatura setată a congelatorului este prea ridicată.	2.2.1.1	Setați o temperatură mai scăzută pentru secțiunea congelatorului. Apoi permiteți echilibrarea timp de 24 de ore, la noua temperatură mai scăzută.
2.3	Temperatura este prea ridicată în secțiunea pentru alimente proaspete, dar adecvată în congelator.	2.3.1 Temperatura setată în secțiunea pentru alimente proaspete este prea ridicată.	2.3.1.1	Reduceți ușor valoarea setată la controlul de temperatură a alimentelor. Noua temperatură, mai redusă, se poate atinge în 24 de ore.
2.4	Temperatura din rafturile pentru fructe și legume este prea ridicată.	2.4.1 Temperatura setată pentru alimentele proaspete este prea ridicată.	2.4.1.1	Setați temperatura pentru alimentele proaspete la o valoare mai redusă, iar echilibrarea la temperatura mai redusă se va obține în 24 de ore.
<b>Apă, umezeală sau chiciură/gheață în frigider</b>				
3.1	Se formează umezeală pe părțile interioare ale frigiderului.	3.1.1 Frigiderul se află într-un mediu cald sau umed.	3.1.1.1	Încercați să ridicați ușor temperatura în compartimentul afectat.
		3.1.2 Ușa a fost lăsată deschisă.	3.1.2.1	Verificați dacă garniturile ușii sunt curate și etanșează bine pe cadrul carcusei metalice.
		3.1.3 Ușa sau sertarul sunt deschise prea frecvent sau pentru un timp prea îndelungat.	3.1.3.1	Reduceți frecvența de deschidere a ușii.
		3.1.4 Recipientele pentru alimente sau băuturi au fost lăsate deschise.	3.1.4.1	Lăsați alimentele calde să se răcească la temperatura camerei și acoperiți alimentele și lichidele.
3.2	Se adună picături de apă în zonele sertarelor inferioare pentru fructe și legume.	3.2.1 Umiditatea a fost setată la valori prea ridicate.	3.2.1.1	Este normal ca o cantitate oarecare de aer umed să se colecteze în interiorul raftului pentru fructe și legume închis. Pentru a reduce acumularea de umezeală, reduceți setarea de umiditate și/sau măriți temperatura din compartimentul pentru alimente proaspete.

Problemă	Cauză	Soluție
3.3 Se formează apă pe partea inferioară a capacelor de sticlă ale rafturilor pentru fructe și legume.	3.3.1 Alimentele umede emană umezeală.	3.3.1.1 La introducerea alimentelor în frigider, tamponați-le mai întâi cu o cârpă uscată pentru a elimina umezeala în exces.
	3.3.2 Etanșarea ușii este imperfectă sau au loc deschideri frecvente ale ușii într-un mediu umed.	3.3.2.1 Verificați garniturile ușii și reduceți numărul de deschideri ale acesteia. Posibilă creștere a temperaturii alimentelor proaspete.
Apă/umiditate/chiciură pe părțile exterioare ale frigiderului		
4.1 Aerul umed formează picături de apă pe marginile exterioare ale frigiderului.	4.1.1 Aerul cald și umed din mediul ambiant interacționează cu aerul mai rece din zonele garniturii de etanșare a ușii din compartimentul pentru alimente proaspete, respectiv din compartimentul congelatorului, determinând formarea condensului.	4.1.1.1 O cantitate redusă de rouă sau de umezeală este normală. Se recomandă ștergerea acesteia cu o cârpă uscată pentru îmbunătățirea performanțelor.
		4.1.1.2 O ușoară creștere a temperaturilor compartimentului poate reduce formarea umezelii.
		4.1.1.3 Verificați etanșarea și starea de curățenie a garniturii de ușă.
Mașină de gheață automată		
5.1 Mașina de gheață nu funcționează corespunzător.	5.1.1 Cuburile de gheață se lipesc unele de altele.	5.1.1.1 Scoateți blocul de cuburi de gheață, zdrobiți-l și reintroduceți în recipientul pentru cuburi de gheață numai cuburile de gheață separate.
	5.1.2 Cuburile de gheață pot sfârși prin a se lipi unele de altele dacă sunt depozitate un timp prea îndelungat.	5.1.2.1 Consultați 5.1.1.1 de mai sus.
5.2 Cuburile de gheață sunt prea mari sau prea mici.	5.2.1 Sursa de alimentare cu apă a mașinii de gheață este setată incorect.	5.2.1.1 Reglați alimentarea cu apă a mașinii de gheață.
Distribuitorul de apă rece și de gheață		
6.1 Nu se distribuie apă rece.	6.1.1 Ușa frigiderului sau a congelatorului nu este complet închisă. Conducta de alimentare cu apă nu este deschisă.	6.1.1.1 Închideți toate ușile aparatului.  Deschideți complet conducta de alimentare cu apă.
		6.1.2 Filtrul de apă este blocat
		6.1.3 Conducta de apă este blocată.
6.2 Apa are un miros anormal.	6.2.1 Apa a fost depozitată un timp prea îndelungat fără a fi utilizată.	6.2.1.1 Aruncați 7 pahare cu apă. Verificați dacă mirosul se îmbunătățește.
	6.2.2 Sursa locală de apă potabilă este suspectă.	6.2.1.2 Contactați compania locală de alimentare cu apă pentru verificarea calității apei.
6.3 Nu se distribuie gheață.	6.3.1 Ușa frigiderului sau a congelatorului nu este complet închisă.	6.3.1.1 Închideți toate ușile aparatului.
	6.3.2 Recipientul nu conține cuburi de gheață	6.3.2.1 Așteptați furnizarea cuburilor de gheață.
	6.3.3 Temperatura din congelator a fost setată la o valoare prea ridicată.	6.3.3.1 Reduceți temperatura frigiderului, pentru a îmbunătăți performanțele mașinii de gheață.
6.4 Distribuitorul este blocat	6.4.1 Apa care se dezgheață a înghețat pe arbore.	6.4.1.1 Scoateți recipientul. Curățați și uscați arborele. Reamplasați recipientul.
	6.4.2 Cuburile de gheață sunt blocate între mașina de gheață și recipient.	6.4.2.1 Scoateți cuburile de gheață dintre mașina de gheață și recipient.
	6.4.3 Cuburile de gheață se lipesc unele de altele.	6.4.3.1 Scoateți blocul de cuburi de gheață, zdrobiți-l și reintroduceți în recipientul pentru cuburi de gheață numai cuburile de gheață separate.
	6.4.4 În distribuitor au fost introduse alte cuburi de gheață.	6.4.4.1 Numai cuburile de gheață produse de mașina de gheață pot fi utilizate în distribuitor.

Problemă	Cauză	Soluție
Frigiderul prezintă un miros anormal		
7.1 Interiorul frigiderului este murdar.	7.1.1 Pereții interiori, rafturile și recipientele din ușa trebuie curățate	7.1.1.1 Curățați toate suprafețele interioare cu apă caldă și cu o cârpă moale și umedă, apoi ștergeți-le.
	7.1.2 Alimentele din frigider au fost depozitate pe o perioadă mai mare decât durata de viață utilă.	7.1.2.1 Ambalați și acoperiți alimentele pentru a prelungi durata de viață utilă a acestora.
Ușa este dificil de deschis și/sau de închis		
8.1 Ușa are o problemă la închidere.	8.1.1 Este posibil ca ușa să conțină produse alimentare sau pachete care împiedică închiderea.	8.1.1.1 Repoziționați rafturile, recipientele de ușa sau recipientele interne, pentru a permite închiderea ușii.
	8.1.2 Nivelarea congelatorului determină deplasarea ușii față de poziție normală.	8.1.2.1 Asigurați-vă podeaua este dreaptă, utilizând materiale rezistente care sunt și neinflamabile.
	8.1.3 Este posibil ca ușa să se lovească de carcasa sau de aparatele adiacente.	8.1.3.1 Asigurați un spațiu de 25 mm (1") pe toate cele 3 laturi și în partea de sus a carcasei, pentru ca ușile să se poată deschide, respectiv închide liber.
Generalități		
9.1 Compresorul nu funcționează.	9.1.1 Congelatorul funcționează în modul congelare profundă	9.1.1.1 Acest lucru este normal pentru un congelator care intră automat în modul congelare profundă. Perioada de congelare profundă durează circa 30 de minute.
	9.1.2 Congelatorul nu este alimentat.	9.1.2.1 Asigurați-vă că fișa de alimentare este introdusă complet în priză. 9.1.2.2 Disjunctorul s-a declanșat? Verificați și înlocuiți cu o siguranță de 13 A nouă și/sau reșetați disjunctorul. 9.1.2.3 Verificați sursa de alimentare electrică din încăperea. Contactați compania locală de electricitate.
9.2 Frigiderul intră în funcțiune frecvent sau pentru o perioadă prelungită de timp.	9.2.1 Temperatura încăperii sau temperatura ambiantă sunt ridicate.	9.2.1.1 Este normal ca frigiderul să funcționeze continuu.
	9.2.2 Mașina de gheață este în funcțiune.	9.2.2.1 Acesta este un lucru normal - mașina de gheață mărește încărcarea frigiderului.
	9.2.3 Ușile se deschid și se închid frecvent.	9.2.3.1 Încercați să reduceți frecvența de deschidere a ușii sau a sertarului.
	9.2.4 Setările de control din congelator și din compartimentul pentru alimente proaspete se află la un nivel scăzut.	9.2.4.1 Ridicați ușor temperaturile din compartimente și lăsați să treacă 24 de ore pentru a se atinge noul echilibru.
	9.2.5 Este posibil ca etanșările ușii să fie murdare, uzate sau crăpate.	9.2.5.1 Curățați garniturile și/sau încălziți ușor, cu ajutorul unui uscător de păr, pentru ca garnitura să ia forma cadrului de metal.
9.3 Compresorul pornește și se oprește frecvent.	9.3.1 Senzorii de temperatură ai compartimentului mențin frigiderul la valorile setate, determinând funcționarea ciclică a compresorului.	9.3.1.1 Acesta este un fapt normal. Compresorul frigiderului va asigura nivelul de răcire necesar.
10.1 Lumina este stinsă.	10.1.1 Comutatorul de lumină este blocat cumva cu resturi sau cu particule de alimente	10.1.1.1 Deconectați fișa cablului de alimentare cu energie electrică. Localizați comutatorul de lumină pe peretele căptușelii și deplasați-l pentru a vedea dacă prin apăsarea repetată a comutatorului puteți disloca alimentele.
	10.1.2 Alimentarea frigiderului este decuplată.	10.1.2.1 Asigurați-vă că fișa cablului de alimentare este complet introdusă în priză de perete.
11.1 Se aude un semnal sonor din frigider sau din congelator.	11.1.1 O ușă este deschisă de peste 60 de secunde.	11.1.1.1 Acest lucru este normal și se va repeta la fiecare 1 minut, până la închiderea ușii.

## 7. Date tehnice

---

### Valori nominale

Model	HRF-628A*6/HRF-628I*6
Tensiune electrică/frecvență	220 - 240 V 50 Hz
Clasă de eficiență energetică	A+
Clasă de climatizare	SN-N-ST
Clasificare compartiment congelator	*/***
Refrigerent	R600a 80 g
Capacitate brută	610 litri
Capacitate netă	550 litri
Capacitate netă - compartiment congelator	375 litri
Capacitate netă - compartiment frigider	175 litri
Capacitate congelator/24 de ore	10 kg/24 de ore
Consum energetic/an	420 kW·h/an
Consum energetic (EN153)	1,15 kW·h/24 de ore
Nivel maxim de zgomot	42 dB(A)
Durată maximă de depozitare în caz de pană de curent	5 ore
Capacitate de producere gheață	1 kg/24 de ore

Model	HRF-630A*7/HRF-630I*7
Tensiune electrică/frecvență	220 - 240 V 50 Hz
Clasă de eficiență energetică	A++
Clasă de climatizare	SN-N-ST-T
Clasificare compartiment congelator	*/***
Refrigerent	R600a 80 g
Capacitate brută	610 litri
Capacitate netă	550 litri
Capacitate netă - compartiment congelator	375 litri
Capacitate netă - compartiment frigider	175 litri
Capacitate congelator/24 de ore	10 kg/24 de ore
Consum energetic/an	355 kW·h/an
Consum energetic (EN153)	0.97 kW·h/24 de ore
Nivel maxim de zgomot	42 dB(A)
Durată maximă de depozitare în caz de pană de curent	5 ore
Capacitate de producere gheață	1 kg/24 de ore

---

## Před prvním použitím zařízení

Účel použití: Toto zařízení je určeno výhradně pro použití v suchých interiérech domácností. Každé jiné použití je nevhodné a může vést ke zraněním. V takovém případě odpovědnost výrobce zaniká.

### *Co je třeba udělat...*

Ujistěte se, že napájecí kabel není zachycen chladničkou. Při odpojování chladničky ze zásuvky tahejte za zástrčku, nikoli za elektrický kabel.

Dbejte na to, abyste při přesouvání chladničky od stěny nepřejeli ani nepoškodili napájecí kabel. Dbejte na to, aby zástrčka nebyla poškozena. Pokud je poškozena, vypněte přívod elektřiny do zásuvky (je-li to možné), zástrčku opatrně vyjměte a obraťte se na autorizovaný servis s žádostí o výměnu.

Ujistěte se, že v okolí chladničky neuniká žádný hořlavý plyn. Pokud plyn uniká, vypněte ventil unikajícího plynu a otevřete okna a dveře. Nezapojujte však ani nevypojujte přívodní kabel chladničky ani žádného jiného zařízení.

Před čištěním a prováděním údržby nebo v případě výměny žárovky odpojte napájecí kabel chladničky.

Dveře otevřete pomocí rukojeti. Upozorňujeme, že mezera mezi dveřmi může být velmi úzká, dejte pozor, abyste si neskřípli prsty.

Pokud jste chladničku odpojili, vyčkejte před opakovaným spuštěním alespoň 5 minut, protože časté spuštění může poškodit kompresor.

Větrací otvory nesmí být nijak zakryty.

Před vyřazením chladničky demontujte dveře chladničky, těsnění dveří a police a uložte je na vhodné místo, zabráníte tak náhodnému uzavření dětí.

Chladničku umístěte na dobře větrané místo, v blízkosti přívodu pitné vody.

Zajistěte volný prostor alespoň 20 cm nad a 10 cm po stranách chladničky.

Zařízení musí být umístěno tak, aby byla elektrická zástrčka dobře přístupná.

### *Čeho se vyvarovat...*

Chladnička je určena pro síťové napájení 220–240 V/50 Hz. Pokud chladničku připojíte k nesprávnému napětí, napětíové výkyvy mohou zabránit chladničce ve spuštění, mohou také poškodit ovládání teploty nebo kompresor nebo mohou působit příliš silný hluk v době, kdy kompresor pracuje. V takovém případě je nutno použít automatický regulátor napětí.

Pro chladničku je třeba připravit vyhrazenou zásuvku se spolehlivým uzemněním. Napájecí kabel chladničky je opatřen 3pólovou (uzemněnou) zástrčkou, která odpovídá 3pólové (uzemněné) zásuvce. Třetí pól (zemnicí) nikdy neodřezávejte ani nedemontujte. Zástrčka by měla být po instalaci chladničky přístupná.

V chladničce nikdy neskladujte hořlaviny, výbušniny ani korozivní materiály.

V chladničce neskladujte léčiva ani bakteriální či chemické látky. Tato chladnička je domácím zařízením. Není doporučeno skladovat v ní látky, které vyžadují přesnou teplotu.

V blízkosti chladničky neskladujte benzín ani jiné hořlavé látky, aby nedošlo k požáru.

Na horní část chladničky nepokládejte nestabilní předměty (těžké předměty, nádoby s vodou), aby nedošlo k úrazu způsobenému pádem nebo úrazu elektrickým proudem při kontaktu s vodou. Nehoupejte se na dveřích ani držácích lahví na dveřích. Může dojít k vychýlení dveří, vytržení držáku lahví nebo převrácení chladničky. Při ukládání nebo odebírání potravin a nápojů nestoupejte na dveře mrazicího prostoru, police ani skříň.

Během provozu se nedotýkejte vnitřních povrchů skladovacího prostoru mrazničky, především pokud máte mokré ruce, protože může dojít k jejich přimrznutí k povrchu.

Abyste nenarušili elektrickou izolaci, nepoužívejte při čištění rozprašování nebo stříkání vody na chladničku, ani chladničku neumísťujte do vlhkého prostředí nebo na místo, kde ji může postříkat voda. Jakoukoliv vodu a skvrny vyčistěte a vysušte měkkým hadříkem.

Demontáž a úpravy chladničky musí být předem schváleny. Jakýkoliv prudký nebo hrubý pohyb chladničky může způsobit poškození chladicího potrubí. Mohlo by dojít k poškození majetku nebo ke zranění osob.

Opravu chladničky musí provádět profesionální personál. Nikdy v mrazničce neskladujte pivo či nápoje v láhvích, protože při zmrazování praskají.

Chladničku je třeba instalovat mimo dosah přímého slunečního záření a zdrojů tepla, jako jsou např. sporáky, topení a podobná zařízení.

Nenechávejte dveře chladničky otevřené bez přítomnosti dospělého a nedovoďte do chladničky přístup dětem.

Nedovoďte malým ani větším dětem stoupat na zásuvku mrazničky.

V chladničce nepoužívejte elektrická zařízení, pokud se nejedná o typ doporučený výrobcem.

Nepoškodte okruh chladiva.

K vysušení vnitřku chladničky nepoužívejte vysoušeč vlasů.

K odstraňování pachů uvnitř chladničky nepoužívejte hořící svíčky.

Na žádný povrch zařízení nestříkejte žádné těkavé látky, například insekticidy.

Dveře chladničky otvírejte a zavírejte pouze v případě, že se v dráze jejich pohybu nenacházejí žádné děti.

Toto zařízení není určeno pro použití osobami (včetně dětí) se sníženými fyzickými, smyslovými nebo psychickými schopnostmi nebo nedostatečnými zkušenostmi a znalostmi, pokud nejsou pod dozorem nebo nebyly instruovány o použití zařízení osobou odpovědnou za jejich bezpečnost.

Do prostoru mrazničky neumísťujte příliš velké množství potravin. Předjedete příliš dlouhému souvislému provozu kompresoru nebo zkažení potravin. Je vhodné nepřesahovat rysku zaplnění na zásuvkách.

Celková hmotnost potravin by neměla překročit 30 kg. Zásuvku mrazničky nevytahujte příliš prudce ani šikmo do výšky, předjedete vypadávání potravin na podlahu.

K urychlení procesu odmrázování nepoužívejte žádné mechanické ani jiné prostředky, než jaké doporučuje výrobce. V případě jakéhokoli problému se světle nebo chladničkou kontaktujte službu podpory zákazníků a požádejte ji o pomoc. Uživatel nesmí měnit světlo sám.

---



# Obsah

---

<b>1. Než začnete</b>	<b>1</b>	<b>5. Čištění a údržba</b>	<b>19</b>
Bezpečnost	1	Odmrazování	19
Informace týkající se chladiva	2	Čištění	19
Ochrana životního prostředí	2	Vypnutí chladničky	19
<b>2. Informace o chladničce</b>	<b>3</b>	Pokud zařízení nepoužíváte	19
Informace o prostoru na čerstvé potraviny	5	Vodní filtr	19
Informace o prostoru mrazničky	6	<b>6. Odstraňování závad</b>	<b>20</b>
Výrobník ledu/dávkovač vody	7	<b>7. Technické údaje</b>	<b>23</b>
Domácí bar	7		
Ovládání chladničky a mrazničky	9		
Ovládání dávkovače vody a ledu	12		
Bezpečnost	12		
Automatické odmrazování	12		
Funkce alarmu	12		
Zhasnutí displeje	12		
<b>3. Tipy pro skladování potravin</b>	<b>13</b>		
Tipy pro skladování čerstvých potravin	13		
Tipy pro mrazení potravin	14		
<b>4. Instalace</b>	<b>15</b>		
Umístění zařízení	15		
Demontáž a montáž dveří	16		
Vyrovnaní a seřízení dveří chladničky	17		
Vyrovnaní dveří	17		
Montáž madel	17		
Připojení k síťovému napájení	17		
Připojení přívodu vody	18		

- Než začnete, přečtěte si tuto uživatelskou příručku.
- Tuto uživatelskou příručku uschovejte na bezpečném místě.
- Ventilační otvory ve skříni zařízení nebo ve vestavěné konstrukci udržujte průchodné a nezakryté.
- K urychlení procesu odmrazování nepoužívejte žádné mechanické ani jiné prostředky, než jaké doporučuje výrobce.
- Nepoškodte okruh chladiva.
- V prostoru skladování potravin tohoto zařízení nepoužívejte elektrické přístroje, pokud se nejedná o typ doporučený výrobcem.
- Vzhledem k naší politice neustálého zlepšování si vyhrazujeme právo změnit technické údaje bez předchozího oznámení.

# 1. Než začnete

---

Děkujeme, že jste si koupili tuto chladničku. Doufáme, že vám bude stylově a prakticky plnit úlohy spojené s chlazením. Před používáním chladničky si přečtěte tuto příručku. Tuto příručku uložte na bezpečném místě a předejte ji případnému dalšímu majiteli. Doufáme, že vám tato příručka poskytne všechny potřebné informace. V případě jakýchkoliv nejasností nás kontaktujte (podrobné informace o péči o zákazníky najdete v části Záruka).

- ▲ **VAROVÁNÍ!** Toto zařízení musí být uzemněno.
- ▲ Nechte zařízení stát nejméně šest hodin. Takto se bude moci chladicí systém usadit po přepravě.
- ▲ Toto zařízení musí instalovat kvalifikovaní pracovníci.
- ▲ Prostor mrazničky je čtyřhvězdičkový.
- ▲ Toto zařízení je určeno pouze pro použití v domácnosti. Používání k jinému účelu může mít za následek zánik záruky.
- Před připojením k síťovému napájení vyčistěte vnitřek zařízení roztokem teplé vody a jedlé sody a nechte jej důkladně vyschnout.
- Zkontrolujte neporušenost všech dílů zařízení, zejména chladicího systému, potrubí a vedení. Pokud je zařízení poškozené, **NEINSTALUJTE JEJ** a kontaktujte kvalifikovaného technika nebo oddělení péče o zákazníky.
- Pokud došlo během přepravy k přeházení příslušenství uvnitř zařízení, dejte je zpět na místo podle pokynů.
- Zkontrolujte, zda napětí ve vaší síťové zásuvce odpovídá požadavkům tohoto zařízení: informace týkající se napájení jsou uvedeny na výrobním štítku. Výrobní štítek je umístěn uvnitř zařízení (v horní části prostoru chladničky).
- Po instalaci, vyčištění, vysušení a ponechání v klidu po přepravě je zařízení připraveno pro připojení k síti a zapnutí.

## Bezpečnost

- ▲ **VAROVÁNÍ!** Na toto zařízení používejte pouze pitnou vodu.
- ▲ **VAROVÁNÍ!** Toto zařízení nesmí být ničím zakryté.
- ▲ **NEPOŠKOĎTE** okruh chladiva. Poškozené zařízení nepoužívejte.
- ▲ **VAROVÁNÍ!** Při rozmrazování zařízení **NEPOUŽÍVEJTE** mechanické pomůcky (například vysoušeče vlasů).
- ▲ **VAROVÁNÍ!** Potrubí na vodu a led **JE NUTNÉ** před použitím propláchnout. Podrobné informace získáte v části Výrobník ledu/Dávkovač vody v této příručce.

- Při výměně starých zařízení zajistěte před likvidací vyřazení jejich zamykacích mechanismů z provozu. Nejvhodnější je pravděpodobně demontáž celých dveří, aby nemohlo dojít k uvěznění dětí uvnitř zařízení.
- Zařízení musí být připojeno k síťovému napájení bezpečným způsobem. Uvolněné spoje, poškozené zástrčky a obnažené vodiče představují bezpečnostní riziko. Zajistěte utažení všech spojů.
- Před prováděním běžné údržby nebo menších oprav odpojte zařízení od síťového napájení. To platí i pro čištění a výměnu žárovek.
- Během provozu se **NEDOTÝKEJTE** chladných dílů zařízení, protože může dojít k přimrznutí rukou a vzniku omrzlin.
- Při přemísťování zařízení dbejte na to, abyste nepoškodili vedení, potrubí a jednotku kondenzátoru. Při poškození těchto součástí kontaktujte kvalifikovaného technika.
- Perlivé kapaliny (sycené nápoje) se nesmějí zmrazit. Tyto kapaliny během zamrznání expandují, což může vést k roztržení nebo výbuchu lahve či obalu.
- Potraviny určené ke konzumaci až po rozmrazení nebo uvaření, jako je chléb nebo maso, nesmějí být konzumovány ve zmrazeném stavu.
- Pokud mají potraviny podivný vzhled nebo vydávají podivný zápach, nesmějí být konzumovány. V případě pochybností je vyhodte.
- K seškrabávání ledu z povrchů zařízení nepoužívejte ostré kovové nástroje. Používejte pouze nástroje určené k tomuto účelu (například plastové škrabky) a používejte je opatrně, aby nemohlo dojít k poškození obložení zařízení.
- Chladicí systém obsahuje chladivo a oleje, které v případě úniku poškozují zdraví. Dojde-li k úniku kapalin, vypněte zařízení a vyvětrejte místnost. Zabraňte potřísnění okolí očí chladivem a jeho vniknutí do očí. Při likvidaci zařízení kontaktujte servisního technika nebo nechte zařízení bezpečně zlikvidovat.

## Bezpečnost při používání elektrických zařízení

- Připojení k síťovému napájení musí odpovídat platným předpisům.
- Zástrčka **MUSÍ** být po instalaci zařízení přístupná.
- Elektrický kabel nesmí být zachycen chladničkou.
- Nešlapejte na kabel.
- Při manipulaci s chladničkou nepoškodte elektrický kabel.

### Poškozený elektrický kabel

Pokud je elektrický kabel poškozený nebo opotřebovaný, vypněte chladničku a obraťte se na autorizovaný servis s žádostí o výměnu.

## Informace týkající se chladiva

**DŮLEŽITÉ:** V tomto zařízení se jako chladivo používá IZOBUTAN (R600a). Při manipulaci se zařízením dbejte na to, aby zařízení nebylo vystaveno příliš silným rázům nebo otřesům. V opačném případě může dojít k poškození zařízení.

Při poškození okruhu chladiva a následném úniku chladiva hrozí nebezpečí výbuchu způsobeného vnějšími zdroji jiskření nebo otevřeným ohněm.

### V případě úniku kapalin

Zajistěte dostatečnou ventilaci a nechte chladivo vypařit.

### Vlastnosti chladiva

Toto chladivo je vysoce hořlavé, a proto zabraňte jeho kontaktu s horkými předměty a otevřeným ohněm. Chladivo R600a je těžší než vzduch. Při úniku vytváří v případě nedostatečné ventilace přízemní vrstvu s vysokou koncentrací.

### První pomoc

#### Vdechnutí

Odveďte osobu ze zamořeného prostoru na dobře větrané místo s normální teplotou.

Dlouhodobé vystavení působení chladiva může vést k dušení a ztrátě vědomí. V případě nutnosti proveďte umělé dýchání a v nejzávažnějších případech zajistěte dýchání kyslíkovým přístrojem pod dohledem lékaře.

#### Potřísnění pokožky

Náhodné potřísnění pokožky nebývá nebezpečné. Potřísněné místo důkladně omyjte.

Postříkání chladivem a jeho rozprášení může způsobit mrazové popáleniny. Potřísněné místo opláchněte velkým množstvím vody a popáleniny nechte ošetřit u lékaře.

#### Zasažení očí

Vypláchněte otevřené oči velkým množstvím vody a co nejdříve kontaktujte očního lékaře.

Při každé události, při níž došlo k nadýchání nebo potřísnění chladivem R600a, doporučujeme kontaktovat lékaře.

## Ochrana životního prostředí

### Likvidace obalu

Chladnička byla pro účely přepravy vybavena vhodným ochranným obalem. Všechny použité materiály jsou ekologicky likvidovatelné a recyklovatelné. Správnou likvidací obalu přispějete k ochraně životního prostředí.

### Likvidace staré chladničky



Tento symbol na produktu nebo na jeho obalu znamená, že produkt nesmí být zařazen do domovního odpadu. Musí být odložen na místo pro sběr odpadu nebo do recyklačního střediska.

Stará zařízení ještě mají svou zbytkovou hodnotu. Ekologickým způsobem likvidace se zajistí opětovné využití cenných materiálů.

Když zařízení dosáhne konce své životnosti, odpojte jej od síťového napájení. Odstříhnete napájecí kabel a vyhoďte jej spolu se zástrčkou.

Znehodnoťte dveře (odstraněním těsnění) nebo dveře demontujte, aby nemohlo dojít k uvěznění dětí ve vnitřním prostoru.

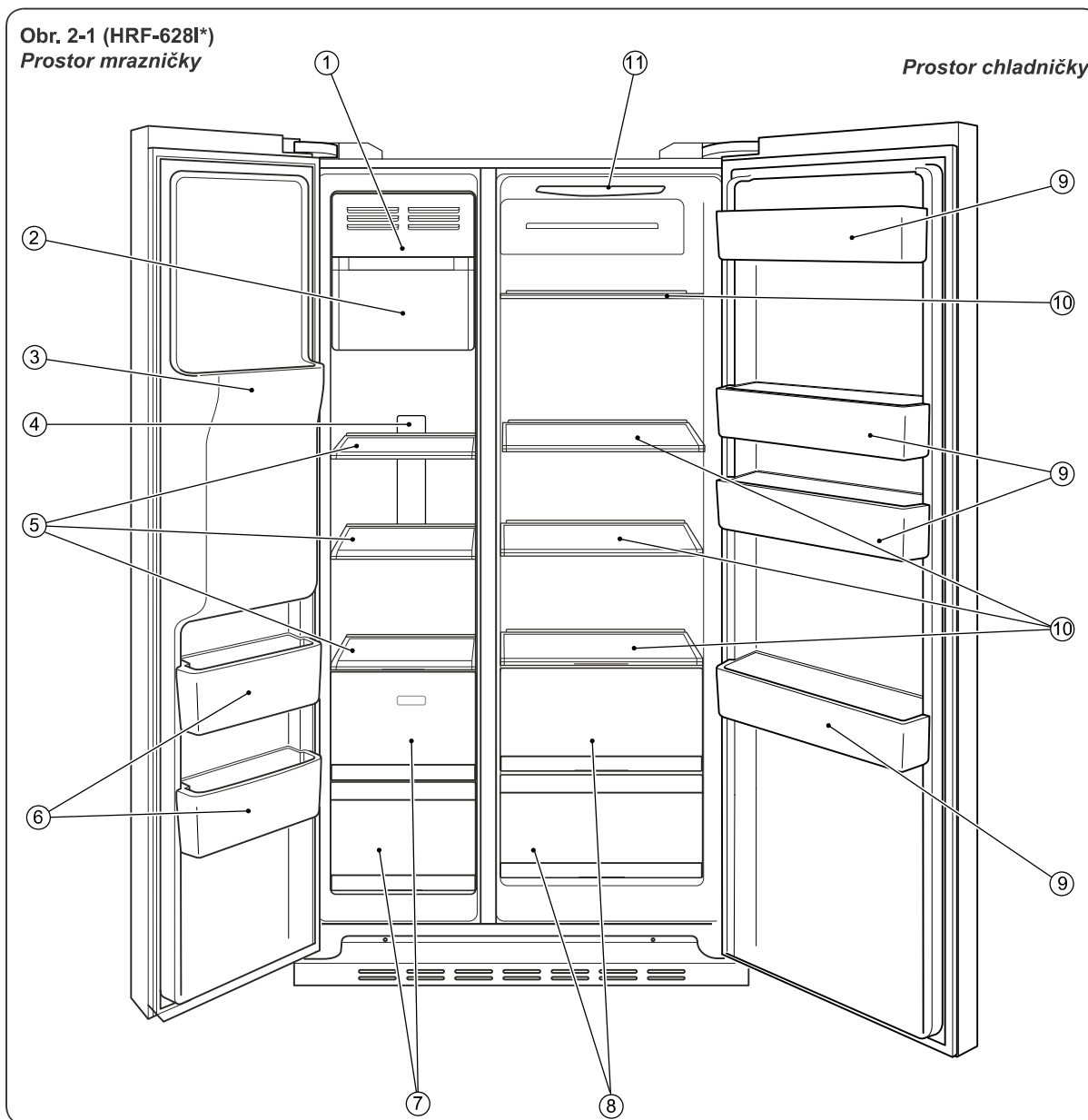
V izolační pěně je jako pěnidlo používá cyklopentan, což je hořlavá látka nepoškozující ozónovou vrstvu.

Při přepravě zařízení dbejte na to, abyste nepoškodili chladicí systém.

Zajištěním správné likvidace produktu pomáháte zamezit potenciálnímu negativnímu vlivu na životní prostředí a lidské zdraví, který hrozí při nesprávné likvidaci.

Podrobnější informace o recyklaci tohoto produktu zjistíte u místního správního úřadu, u instituce zajišťující komunální odpadové hospodářství nebo u prodejce produktu.

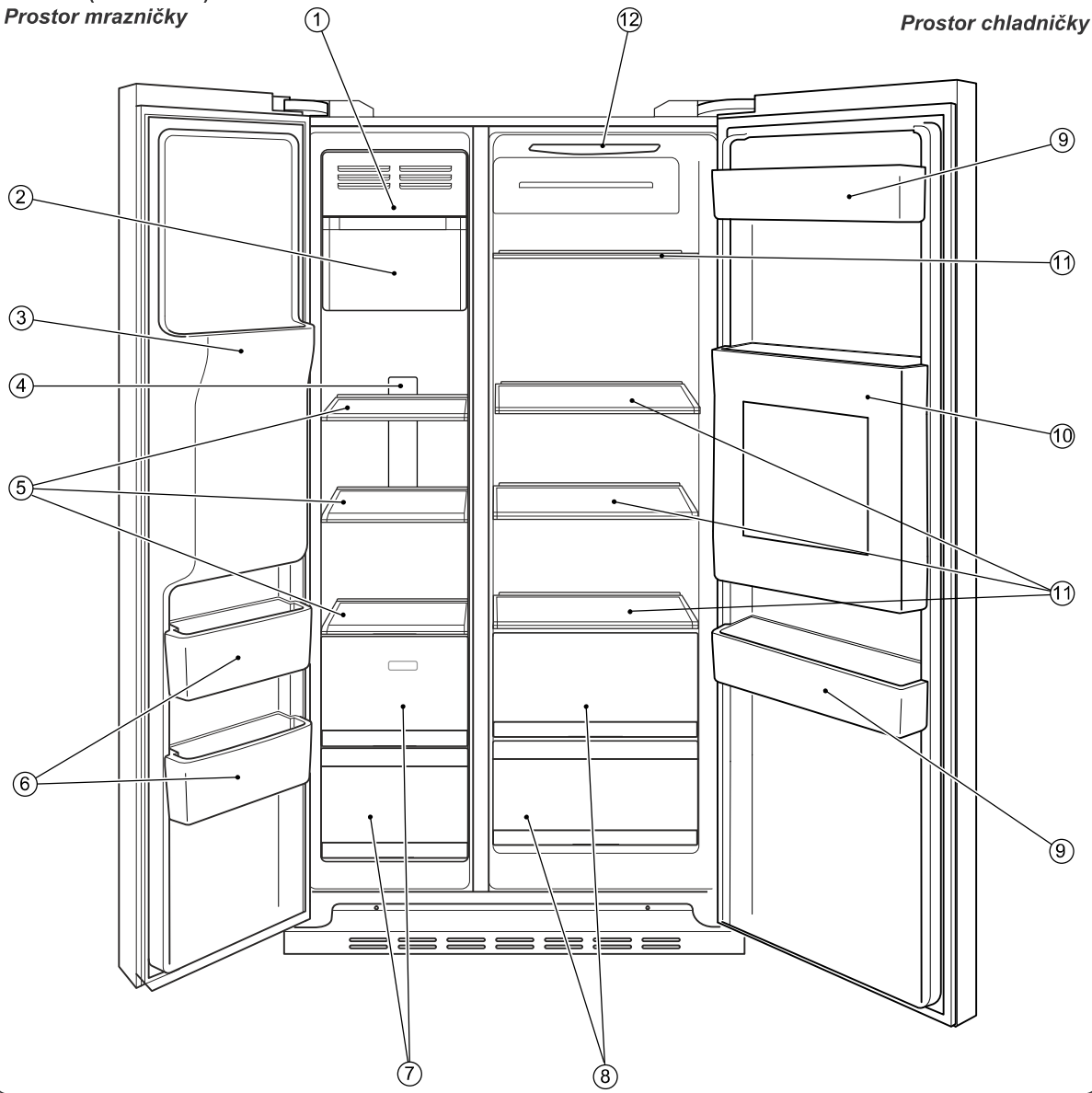
## 2. Informace o chladničce



Chladnička HRF-628I\* (obr. 2-1) má následující vybavení:

- |   |   |
|---|---|
| 1. Příhrádka na zmrzlinu  | 9. 4 příhrádky ve dveřích chladničky                          |
| 2. Zásobník ledu s výrobníkem ledu (uvnitř zásobníku)                       | 10. 4 úložné police chladničky                                |
| 3. Dávkovač vody a ledu   | 11. Světlo LED v chladničce                                   |
| 4. Světlo LED v mrazničce   |   |
| 5. 3 úložné police mrazničky  | Bez CFC a bez vytváření námrazy                               |
| 6. 2 příhrádky ve dveřích mrazničky   | Funkce rychlého zmrazení, rychlého chlazení a režim Prázdniny |
| 7. 2 zásuvky mrazničky (HRF-628I*6)   | Automatické zobrazení teploty                                 |
| 3 zásuvky mrazničky (HRF-630I*7)  |   |
| 8. 2 zásuvky na ovoce a zeleninu (HRF-628I*6)                               |   |
| 1 zásuvka pro udržení vlhkosti a 2 zásuvky na ovoce a zeleninu (HRF-630I*7) |   |

Obr. 2-2 (HRF-628A\*)  
Prostor mrazničky



Chladnička HRF-628A\* (obr. 2-2) má následující vybavení:

1. Příhrádka na zmrzlinu
2. Zásobník ledu s výrobníkem ledu (uvnitř zásobníku)
3. Dávkovač vody a ledu
4. Světlo LED v mrazničce
5. 3 úložné police mrazničky
6. 2 přihrádky ve dveřích mrazničky
7. 2 zásuvky mrazničky (HRF-628A\*6)  
3 zásuvky mrazničky (HRF-630A\*7)
8. 2 zásuvky na ovoce a zeleninu (HRF-628A\*6)  
1 zásuvka pro udržení vlhkosti a 2 zásuvky na ovoce  
a zeleninu (HRF-630A\*7)

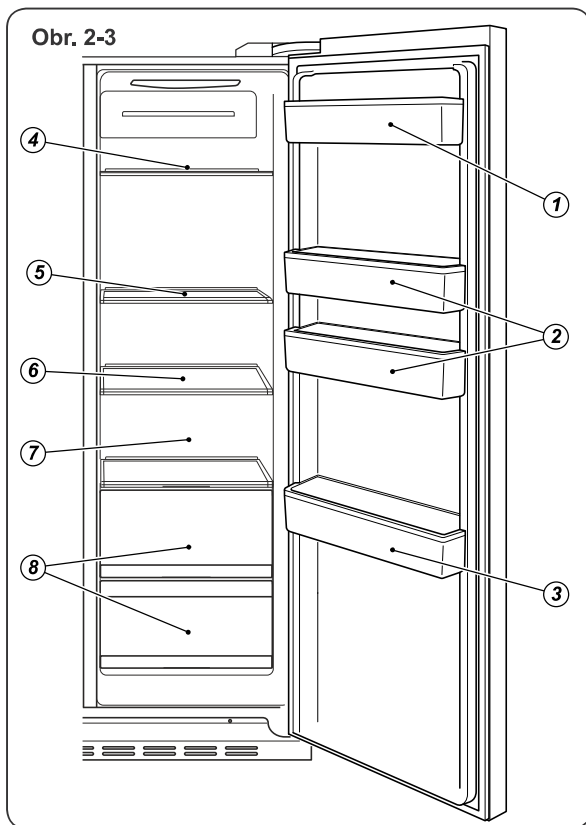
9. 2 přihrádky ve dveřích chladničky

10. Vnitřní kryt domácího baru
11. 4 úložné police chladničky
12. Světlo LED v chladničce

Bez CFC a bez vytváření námrazy

s funkcí rychlého zmrazení, rychlého chlazení a režimem Prázdniny

s automatickým zobrazením teploty



## Informace o prostoru na čerstvé potraviny

Mezi uloženými potravinami je vhodné nechat volný prostor na dostatečnou cirkulaci chladného vzduchu. V horní části chladničky je nepatrně vyšší teplota než v její spodní části.

Potraviny podléhající rychlé zkáze by měly být uloženy v zadní části chladničky, kde je nejnižší teplota.

Doporučení pro skladování (obr. 2-3):

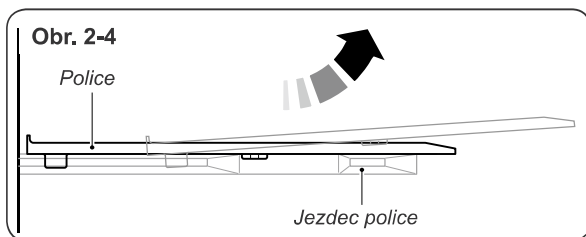
1. Vejce, máslo, sýry apod.
2. Plechovky, nádoby, koření apod.
3. Nápoje a potraviny všech druhů v lahvích
4. Potraviny v nálevu, nápoje nebo nádoby
5. Maso, drůbež, ryby, syrové potraviny
6. Moučné potraviny, konzervy, mléčné výrobky apod.
7. Vařené maso, uzeniny apod.
8. Ovoce, zelenina nebo saláty

## Police

Výšku polic lze možno nastavit podle potřeb skladování potravin.

Police se při se při vyjímání potravin z chladničky náhodně nevysouvají.

**▲ Při nastavování výšky police nejprve vyjměte veškeré potraviny uložené na polici.**



## Police

Chcete-li polici vyjmout, zvedněte její přední část tak, aby se uvolnily zajišťovací čepy z bočních vodiček (obr. 2-4) a vytáhněte ji ven. Držte polici v nakloněné poloze, aby se zajišťovací mechanismy uvolnily z bočních vodiček.

Při vkládání police na místo ji zatlačte dozadu až na doraz a zkontrolujte usazení zajišťovacích mechanismů.

## Světlo

Vnitřní světlo LED se rozsvěcí při otevření dveří. Výkon světla není ovlivňován žádným nastavením zařízení.

## Informace o prostoru mrazničky

Prostor mrazničky se skládá ze 2 zásuvek, přihrádky na zmrzlinu, 3 skleněných polic a 2 polic ve dveřích (obr. 2-5).

Stejně jako v případě chladničky, i v mrazničce jsou některé části vhodnější k uložení určitých potravin.

Zmrzliny a sorbety je nejlepší uložit do přihrádky na zmrzlinu nebo do zadní části zařízení, kde je nejnižší teplota.

Velké a těžké porce potravin, jako jsou například kusy masa na pečení, je nevhodnější uložit do spodní části zařízení, a lehčí porce uložit do polic, čímž se zabrání poškození zařízení.

Je nutné se vždy přesvědčit o tom, že ukládané potraviny jsou vhodné ke zmrazení a že jsou v zařízení bezpečně uloženy.

- ⚠ Mezi skladovanými potravinami a snímačem udržujte odstup minimálně 10 mm, aby bylo zajištěno dostatečné chlazení.
- ⚠ Během provozu nechávejte nejnižší zásuvku zavřenou, aby bylo zajištěno dostatečné chlazení.

## Police

Chcete-li polici vyjmout, zvedněte její přední část tak, aby se uvolnily zajišťovací čepy z bočních vedení (obr. 2-6) a vytáhněte ji ven. Držte polici v nakloněné poloze, aby se zajišťovací mechanismy uvolnily z bočních vodiček.

Při vkládání police na místo ji zatlačte dozadu až na doraz a zkontrolujte usazení zajišťovacích mechanismů.

## Světlo

Vnitřní světla LED se rozsvěcí při otevření dveří. Výkon světla není ovlivňován žádným nastavením zařízení.

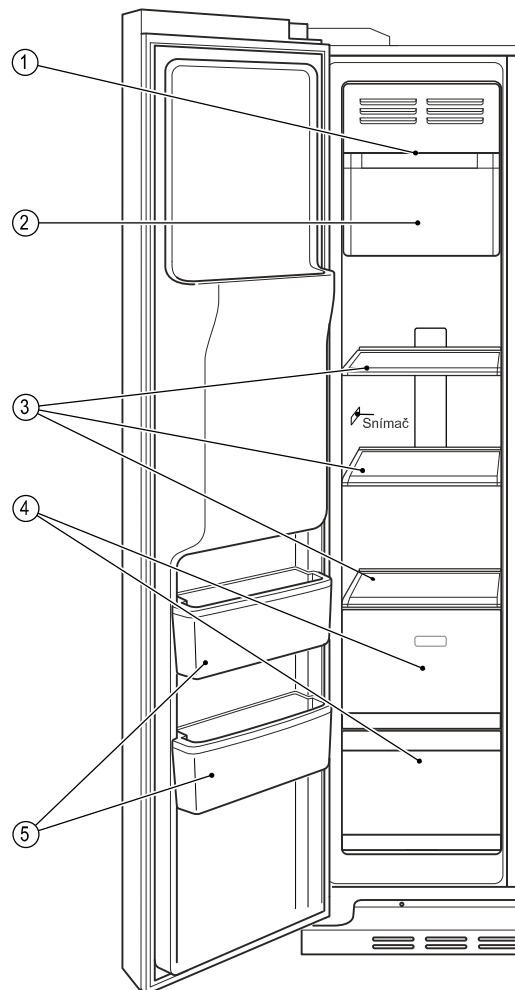
## Rozmrazování potravin před vařením

Pokud dojde k částečnému rozmrazení potravin, je nutné je co nejdříve zkonsumovat, protože rozmrazení ovlivňuje jejich kvalitu.

- ⚠ Před vařením vždy zkontrolujte, zda jsou potraviny úplně rozmrazené a neulpívají na nich ledové krystaly. To je důležité zejména u drůbeže, kde by mohlo dojít k vážnému ohrožení zdraví.

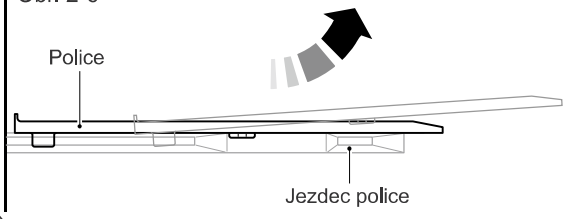
Při rozmrazování hotových jídel vždy dodržujte pokyny uvedené na obalu, protože výrobce vždy poskytuje nejlepší informace a některé zmrazené potraviny jsou určeny k vaření přímo ze zmrazeného stavu.

Obr. 2-5



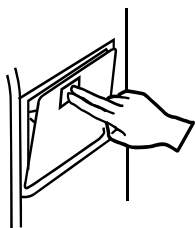
- |                          |                         |
|--------------------------|-------------------------|
| 1. Přihrádka na zmrzlinu | 3. Úložné police        |
| 2. Zásobník ledu         | 4. Úložné zásuvky       |
|                          | 5. Přihrádky ve dveřích |

Obr. 2-6

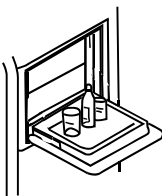


CZ

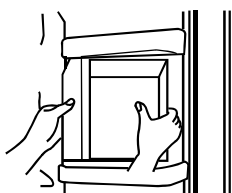
Obr. 2-7



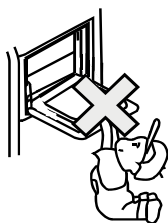
Obr. 2-8



Obr. 2-9



Obr. 2-10



## Výrobek ledu/dávkovač vody

### Bezpečnostní opatření

- Potrubí na vodu NEVYSTAVUJTE teplotám nižším než 0 °C, protože jinak by docházelo k zamrznutí.
- Přezkoušejte těsnost potrubí propláchnutím vodou.
- Po instalaci zařízení na požadované místo zkontrolujte vodovodní potrubí, které musí být uspořádáno tak, aby se nemohlo poškodit ohnutím nebo zlomením. Potrubí musí také mít dostatečný odstup od zdrojů tepla.
- Výroba ledu začne, jakmile je v mrazničce teplota -12 °C.
- Výrobek ledu NEPOUŽÍVEJTE nadměrně. Při příliš častém používání tlačítka výdeje kostek ledu dojde k dočasnému zablokování této funkce. To je zcela normální a před dalším používáním je nutné počkat jednu hodinu.
- NEPOUŽÍVEJTE křehké skleněné nádoby.
- NEDOTÝKEJTE SE rukama ani nástroji ústí výstupního potrubí kostek ledu, protože by mohlo dojít k zranění nebo poškození.
- NEDOPLŇUJTE vodu ručně, protože se jedná o automatický systém. Pokud je výrobek ledu zapnutý a zařízení není připojeno k přívodu vody, výrobek ledu nebude pracovat.

### Funkce výrobku ledu

Výrobek ledu má výkon 1 kg za 24 hodin. Tento údaj byl zjištěn při měření v laboratoři při okolní teplotě 32 °C. Při běžném používání zařízení se může výkon výrobku ledu vlivem okolní teploty a tlaku vody mírně lišit.

Neukládejte kostky ledu vyrobené během první dávky po zapnutí zařízení, ani kostky vyrobené po delší pauze. Tyto kostky vyhodte.

Abyste dosáhli maximální kapacity zásobníku ledu, musíte ledové kostky v zásobníku pravidelně ručně uspořádat.

Některé ledové kostky mohou po spadnutí do zásobníku ledu držet na jiných kostkách. Z důvodu maximálního využití kapacity zásobníku od sebe kostky oddělte.

### Domácí bar

- Chcete-li bar otevřít, stiskněte tlačítko přihrádky (obr. 2-7). Otevře se přihrádka baru. Domácí bar je možno použít při zavřených dveřích zařízení, čímž se šetří energie. Při otevřeném domácím baru svítí světlo chladničky.
- Do domácího baru můžete uložit nápoje a jiné potraviny (obr. 2-8).
- Nesnímejte vnitřní kryt domácího baru (obr. 2-9). Při sejmutém krytu nebude domácí bar fungovat.
- Znemožněte dětem přístup k domácímu baru (obr. 2-10). Mohlo by dojít ke zranění dětí a poškození domácího baru.

▲ Domácí bar co nejdříve zavřete, aby se uvnitř udržel chlad. Při nedovřených dveřích se aktivuje výstražný systém.

## První použití výrobku ledu/dávkoče vody

**▲ NEPIJTE prvních (přibližně) sedm sklenic vody, protože v nich může být prach nebo nečistoty z potrubí.**

Tím se zajistí vypláchnutí potrubí. V případě pochybností používejte dávkovač vody až tehdy, když poteče čistá voda.

## Hluk během výroby ledu

Proces výroby ledu může vytvářet hluk. Můžete zaslechnout led padající do zásobníku. To je naprosto normální.

## Dlouhodobé skladování ledu

Dlouhodobě skladovaný led může ztratit průhlednost a může podivně zapáchat. Doporučujeme takový led vyhodit a poté vyjmout a umýt zásobník na led. Před vrácením do zařízení nechte zásobník oschnout a vychladnout, aby na něm neulpíval led.

## Vypnutí výroby ledu

Pokud si nepřejete delší dobu vyrábět led (například v zimě), můžete vypnout přívod vody do zařízení. Je vhodné vyčistit zásobník na led, nechat jej oschnout a vrátit zpět do zařízení. Tím se zabrání vzniku zápachu.

## Instalace a vyjmutí zásobníku na led

Chcete-li vyjmout zásobník na led, nadzvedněte jeho střed a uvolněte jej vytažením směrem ven (obr. 2-11).

Poznámka: Na nainstalovaném zásobníku na led může kondenzovat vlhkost a zásobník může být přimrzlý.

Pokud nelze zásobník na led snadno usadit, sejměte jej a otočte vačkovým mechanismem o 90° po směru hodinových ručiček (obr. 2-12). Nainstalujte zásobník na led zpět, přičemž zkontrolujte usazení západky zásobníku v drážce police.

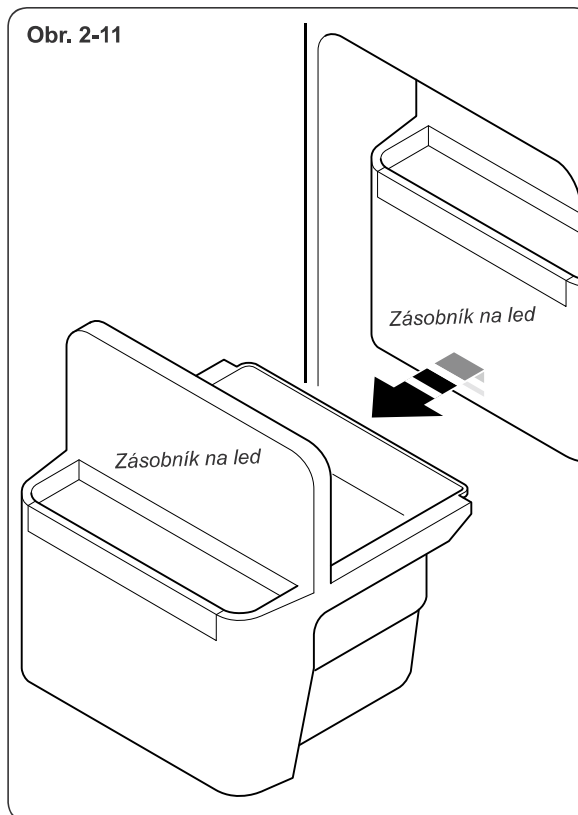
## Pokud výrobek ledu nepracuje správně

Objem zásobníku na led se rovná objemu kostek ledu, který je zařízení schopné vyrobit za jeden den. Občas může zůstat několik kostek ledu v zásobníku. Přilepené kostky ledu mohou mít za následek funkční problémy výrobku ledu. Aby se předešlo tomuto problému, vyjměte zásobník na led, přeskládejte kostky ledu a odstraňte neoddělitelné kostky ledu.

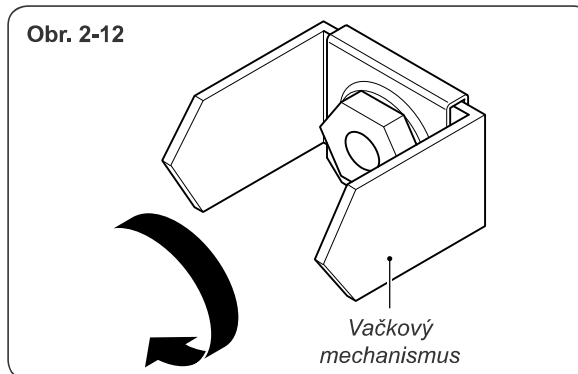
**▲ Výstupní potrubí kostek ledu udržujte trvale čisté a volné.**

**▲ Vyjmutím zásobníku na led získáte další prostor pro uložení potravin. Nad vstupní otvor ve dveřích chladničky nainstalujte doplňkový držák lahví, do něhož lze snadno ukládat potraviny (obr. 2-13).**

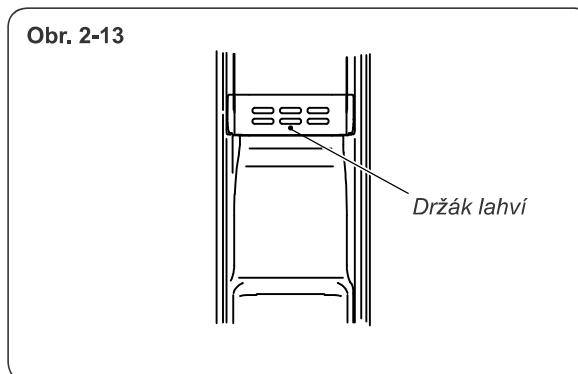
Obr. 2-11



Obr. 2-12



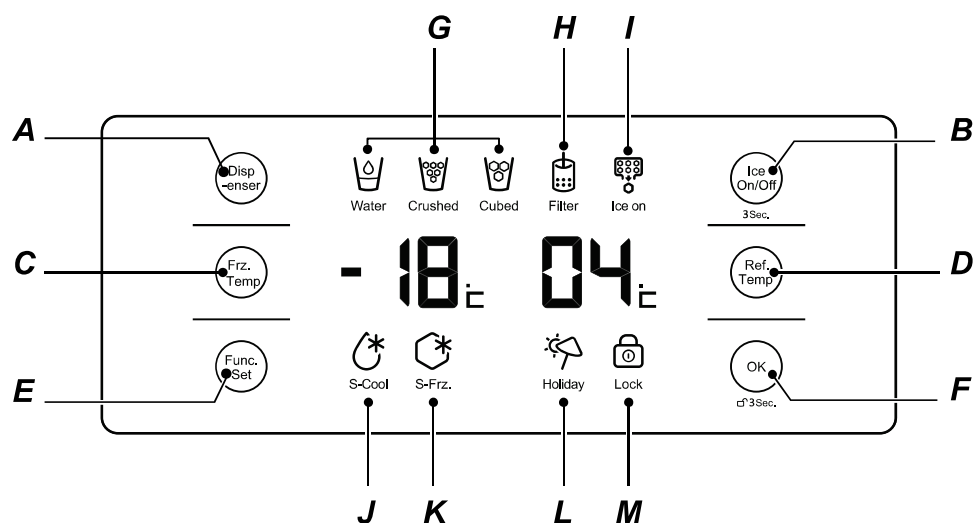
Obr. 2-13



CZ

## Ovládání chladničky a mrazničky

Obr. 2-14



A – Tlačítko volby dávkovače

B – Tlačítko pro zapnutí/vypnutí výrobníku ledu

C – Tlačítko teploty mrazničky

D – Tlačítko teploty chladničky

E – Tlačítko volby funkce

F – Tlačítko potvrzení funkce

G – Ikona stavu dávkovače

H – Ikona stavu výměny filtru

I – Ikona stavu zapnutí/výrobníku ledu

J – Ikona rychlého chlazení

K – Ikona rychlého mrazení

L – Ikona režimu Prázdniny (Holiday)

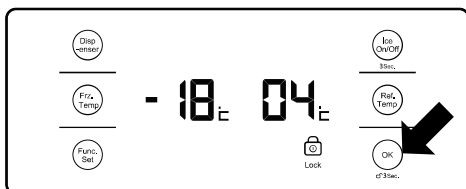
M – Ikona zámku (Lock)

Digitální displej dávkovače vody a ledu a tlačítka funkcí jsou vyobrazeny na obr. 2-14.

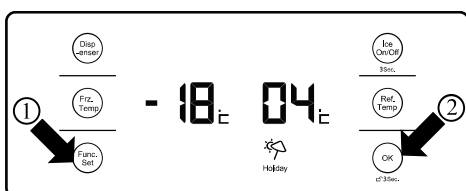
### ▲ VAROVÁNÍ!

Nastavení teplot není možné provádět v režimu rychlého mrazení a v režimu zámku. Pokud se pokusíte provádět nastavení v jednom z těchto režimů, bude blikat ikona speciální funkce vedle zobrazení teploty v mrazničce a současně zazní zvukový signál na znamení, že nyní nelze nastavovat teplotu.

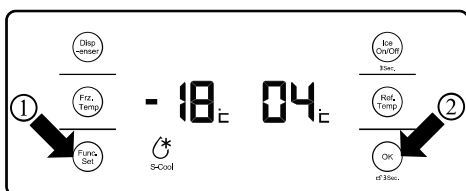
Obr. 2-15



Obr. 2-16



Obr. 2-17



### Režim zámku

Tato funkce zamyká nastavení teploty a funkcí. Při zamknutí ikona zámku blikne a zazní zvukový signál.

### Zamknutí

Stiskněte a podržte tlačítko „OK“ na 3 sekundy (obr. 2-15). Rozsvítí se ikona zámku a chladnička se zamkne.

### Odemknutí

Stiskněte a podržte tlačítko „OK“ na 3 sekundy. Zhasne ikona zámku a chladnička se odemkne.

### Režim Prázdniny

▲ VAROVÁNÍ! Před volbou režimu Prázdniny vyjměte veškeré potraviny a nápoje z prostoru chladničky, protože by se za krátkou dobu mohly stát nepoživatelnými.

Tato funkce umožňuje vyřadit z provozu chladničku a mrazničku používat normálním způsobem. V tomto režimu je chladnička automaticky nastavena na 17 °C.

### Zapnutí

1. Opakovaným stisknutím tlačítka „FUNC.SET“ zvolte režim Prázdniny (obr. 2-16).
2. Nyní stiskněte tlačítko „OK“. Rozsvítí se ikona režimu Prázdniny (Holiday).

### Vypnutí

1. Opakovaným stisknutím tlačítka „FUNC.SET“ zvolte režim Prázdniny.
2. Nyní stiskněte tlačítko „OK“. Zhasne ikona režimu Prázdniny (Holiday).

### Režim rychlého chlazení

Tato funkce umožňuje rychle ochladit potraviny, aby zůstaly co nejdéle čerstvé. Tuto funkci používejte před umístěním velkého množství potravin do prostoru chladničky.

Režim rychlého chlazení se vypne po dosažení nastavené teploty.

### Zapnutí

1. Opakovaným stisknutím tlačítka „FUNC.SET“ zvolte režim rychlého chlazení (obr. 2-17).
2. Nyní stiskněte tlačítko „OK“. Rozsvítí se ikona rychlého chlazení (S-Cool).

### Vypnutí

1. Opakovaným stisknutím tlačítka „FUNC.SET“ zvolte režim rychlého chlazení.
2. Nyní stiskněte tlačítko „OK“. Ikona rychlého chlazení (S-Cool) zhasne. Režim rychlého chlazení je nyní vypnutý.

## Režim rychlého mrazení

Tato funkce má za úkol v nejkratší možné době kompletně zmrazit potraviny, aby zůstaly zachovány jejich nutriční hodnoty.

Režim rychlého mrazení se vypne po dosažení nastavené teploty.

Tuto funkci použijte před umístěním velkého množství potravin do prostoru mrazničky. Doporučujeme zapnout funkci rychlého mrazení s 12hodinovým předstihem, protože sníží teplotu v prostoru mrazničky před uložením potravin.

### Zapnutí

1. Opakovaným stisknutím tlačítka „FUNC.SET“ zvolte režim rychlého mrazení (obr. 2-18).
2. Nyní stiskněte tlačítko „OK“. Rozsvítí se ikona rychlého mrazení (S-Frz.).

### Vypnutí

1. Opakovaným stisknutím tlačítka „FUNC.SET“ zvolte režim rychlého mrazení.
2. Nyní stiskněte tlačítko „OK“. Ikona rychlého mrazení (S-Frz.) zhasne. Režim rychlého mrazení je nyní vypnutý.

## Nastavení teploty v prostoru chladničky

Stiskněte tlačítko „Ref. Temp“ (obr. 2-19). Zobrazení teploty v chladničce začne blikat, což znamená, že chladnička je v režimu nastavení teploty.

Stisknutím tlačítka „Temp“ se nastavuje teplota v chladničce v rozsahu od 09 °C do 01 °C.

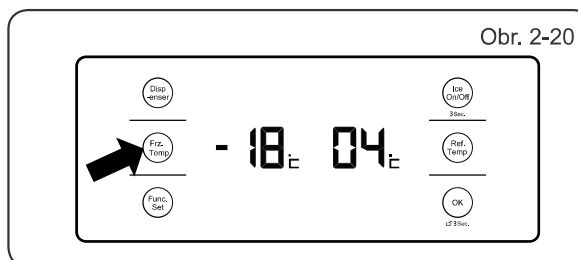
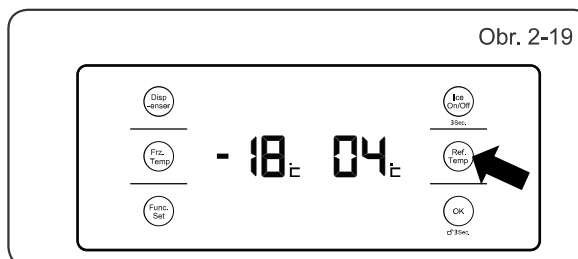
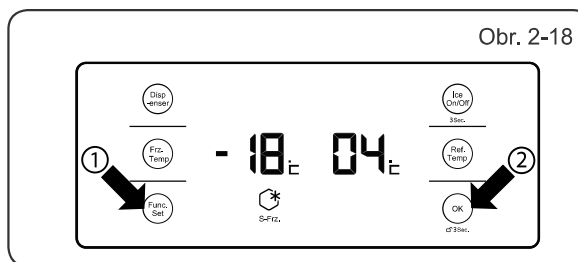
Pokud během 5 sekund neprovedete žádnou další operaci, blikání přestane a teplota bude nastavena. Teplota zůstane zachovaná i při stisknutí kteréhokoliv jiného tlačítka během blikání.

## Nastavení teploty v prostoru mrazničky

Stiskněte tlačítko „Frz. Temp“ (obr. 2-20). Zobrazení teploty v mrazničce začne blikat, což znamená, že mraznička je v režimu nastavení teploty.

Stisknutím tlačítka „Frz. Temp“ se nastavuje teplota v mrazničce v rozsahu od -14 °C do -24 °C.

Pokud během 5 sekund neprovedete žádnou další operaci, blikání přestane a teplota bude nastavena. Teplota zůstane zachovaná i při stisknutí kteréhokoliv jiného tlačítka během blikání.



## Ovládání dávkovače vody a ledu

U tohoto zařízení jsou k dispozici tři možnosti: studená voda, drcený led a kostky ledu.

Aby nedocházelo k polítlí, před provedením volby VŽDY držte sklenici u dávkovače. Při odběru ledu z dávkovače doporučujeme použít sklenici o průměru 80 mm.

### Zapnutí/vypnutí výrobku ledu

Při prvním připojení zařízení k napájení je výrobek ledu nastaven na možnost „vypnuto“.

#### Zapnutí

- Stiskněte tlačítko „Ice On/Off“ na 3 sekundy. Rozsvítí se ikona zapnutí výrobku ledu a výrobek ledu začne pracovat.

#### Vypnutí

- Stiskněte tlačítko „Ice On/Off“ na 3 sekundy. Zhasne ikona zapnutí výrobku ledu a výrobek ledu přestane pracovat.

**DŮLEŽITÉ:** Před vypnutím výrobku ledu zkontrolujte, zda je zásobník ledu prázdný, protože led roztaje na vodu.

### Použití dávkovače studené vody

1. Podržte sklenici u dávkovače.
2. Stisknutím tlačítka volby dávkovače zvolte studenou vodu. Rozsvítí se ikona vody (Water).
3. Přitlačte mírně sklenici k pákovému spínači; sklenice se naplní studenou vodou.

### Použití dávkovače drceného ledu

1. Podržte sklenici u dávkovače.
2. Stisknutím tlačítka volby dávkovače zvolte drcený led. Rozsvítí se ikona drceného ledu (Crushed).
3. Přitlačte mírně sklenici k pákovému spínači. Sklenice se naplní drceným ledem.

### Použití dávkovače kostek ledu

1. Podržte sklenici u dávkovače.
2. Stisknutím tlačítka volby dávkovače zvolte kostky ledu. Rozsvítí se ikona kostek ledu (Cubed).
3. Přitlačte mírně sklenici k pákovému spínači. Sklenice se naplní kostkami ledu.

### Výměna vodního filtru

Rozsvícení ikony stavu výměny filtru (Filter) znamená, že je nutné vyměnit vodní filtr (přibližně každých 6 měsíců). Po provedení výměny stiskněte tlačítko „Func. Set“ na 3 sekundy. Zhasne ikona stavu výměny filtru (Filter).

## Bezpečnost

- ▲ **NEPOUŽÍVEJTE** příliš hluboké, štíhlé nebo křehké sklenice.
- Sklenici držte co nejbližší u dávkovače, aby nedocházelo k vylití vody, vypadávání ledu nebo blokování dávkovače ledu.
- Pět sekund po ukončení výdeje ledu nebo vody se zavře klapka dávkovače a vydá zvuk („puf“). Po naplnění sklenice a uvolnění pákového spínače podržte sklenici ještě další 2 až 3 sekundy (v případě ledu) nebo 1 až 2 sekundy (v případě vody), protože do sklenice může přibýt ještě další voda nebo led.
- Dávkovač pravidelně čistěte.
- Z důvodu zachování kvality vody je nutné občas provést výměnu filtru. Doporučujeme výměnu filtru provádět jednou za 6 měsíců. Pokud se však zhorší kvalita vody po vzhledové nebo chuťové stránce, je nutné výměnu filtru provést dříve.
- Pokud byl jako poslední zvolen drcený led, může místo kostek ledu vypadávat drcený led.
- ▲ Do dávkovače **NEUMISŤUJTE** nápoje ani potraviny v plechovkách, protože by došlo k poškození mechanismu drtiče.
- ▲ Z důvodu prevence zranění a poškození zařízení se **NEDOTÝKEJTE** dávkovače a nesnímejte kryt výrobku ledu.
- Po prvním zapnutí zařízení nebo po delším nepoužívání není vhodné konzumovat první dávky vody (přibližně 7 sklenic) a ledu (přibližně 20 kostek). Této vody a ledu se vhodně zbavte.
- Z důvodu prevence poškození mechanismu nedávejte do zásobníku kostky ledu, které nebyly vyrobeny tímto výrobcem.
- Při nedostatečném přívodu vody mohou vznikat menší kostky ledu. Při nadměrném přívodu vody mohou vznikat větší kostky ledu, které se lepí k sobě, způsobují úniky vody a blokují dávkovač. Seřídte kohout nebo kontaktujte servisního technika.

### Automatické odmrazování

Chladnička nevyžaduje odmrazování, protože je vybavena automatickým odmrazováním.

- ▲ K urychlení procesu odmrazování **NEPOUŽÍVEJTE** jiné než výrobcem doporučené mechanické prostředky.

### Funkce alarmu

Pokud necháte dveře delší dobu otevřené nebo dveře nedovřete, chladnička bude v pravidelných intervalech vydávat zvukový signál upozorňující na nutnost zavření dveří.

### Zhasnutí displeje

Digitální displej po 30 sekundách zhasne a rozsvítí se při opětovném použití chladničky.

### 3. Tipy pro skladování potravin

---

#### Tipy pro skladování čerstvých potravin

- V chladničce udržujte teplotu nižší než 5 °C.
- Věnujte pozornost údajům trvanlivosti: „datum minimální trvanlivosti“ a „spotřebujte do“. Potraviny s označením „spotřebujte do“ podléhají zkáze rychleji. Po tomto datu může být jejich konzumace nebezpečná. Potraviny s údajem „datum minimální trvanlivosti“ mají delší trvanlivost. Po tomto datu mohou být bezpečně požitelné, ale jejich kvalita může být zhoršena.
- Vařené potraviny, které vyžadují uložení v chladu, před umístěním do chladničky ochladte na pokojovou teplotu. Tyto potraviny musí být ve vhodných nádobách.
- Potraviny je nutné před uložením do chladničky opláchnout a osušit.
- Některé potraviny je nejvhodnější umístit do chladničky v původním obalu od výrobce. Pokud jsou rozbalené, je vhodné je znovu zabalit, aby se z nich neodpařovala voda. Některé druhy ovoce a zeleniny si v zabaleném stavu zachovávají lépe čerstvost a nedochází k míšení pachů.
- Nádobu a sáčky s uloženými potravinami je možno označit.
- Každodenně používané potraviny by měly být uloženy v policích u dveří.
- Potraviny ukládejte systematicky (syrové maso se syrovým masem, mléčné výrobky s mléčnými výrobky), aby nedocházelo k přenosu chutí a vzájemné kontaminaci. Surové maso by mělo být uloženo u dna chladničky, aby nedocházelo k odkapávání šťávy na jiné potraviny. Ostatní potraviny by měly být uloženy nad syrovým masem.
- Při ukládání potravin do prostoru pro čerstvé potraviny zajistěte dostatek místa na cirkulaci vzduchu. To pomůže prodloužit skladovací dobu potravin.
- Při ukládání potravin do chladničky věnujte pozornost dostatečnému odstupu od zadní stěny, aby nevznikalo riziko zmrznutí.
- U ředkviček a jiné kořenové zeleniny je vhodné odříznout listy. Tím se zachová nutriční hodnota kořene, která by se jinak přenášela do listů.
- Při rozmrazování umístěte potraviny do prostoru pro čerstvé potraviny. Nízká teplota v chladničce omezí množení bakterií a prodlouží dobu použitelnosti potravin.
- Některé potraviny, jako jsou například cibule, česnek, banány a kořenová zelenina, je vhodnější skladovat při pokojové teplotě než v chladničce.
- Melouny, ananasy a banány je možno po přípravě umístit za účelem dlouhodobého uložení přímo do mrazničky.
- Správné balení potravin, používání správné teploty a dodržování hygienických zásad zlepší kvalitu čerstvých potravin uložených v tomto zařízení.
- Aby nedocházelo k přenosu chutí a vzájemné kontaminaci, zakryjte nezabalené potraviny alobalem, potravinovou fólií nebo je umístěte do plastového sáčku.
- Před uložením multipacků potravin (například jogurtů) odstraňte přebytečný obal.
- ⚠ Do zařízení NEUKLÁDEJTE hořlaviny, těkavé látky ani výbušniny.
- Nápoje s vysokým obsahem alkoholu je nutné skladovat ve stojících, těsně uzavřených lahvích.
- Choulostivé potraviny je vhodné uložit do nejchladnější části zařízení.
- Snažte se neotevírat dveře příliš často.
- Nastavte termostat tak, aby byly potraviny správně vychlazené a aby v chladničce nebyl mráz. Teplotu v zařízení můžete změřit teploměrem. Spolehlivý údaj získáte vložení teploměru do sklenice vody a umístěním do zařízení na několik hodin.
- Některé potraviny obsahují přírodní oleje a kyseliny (například kyselinu citrónovou), které mohou při rozlití poškozovat plasty. Tyto potraviny umístěte do vhodných nádob.
- Nepříjemný zápach v chladničce je známkou toho, že se něco rozlilo, a že je nutné vyčištění. Většinu rozlitých kapalin uvnitř zařízení lze vyčistit roztokem teplé vody a jedlé sody (viz „Čištění a údržba“).
- Před delší nepřítomností nezapomeňte ze zařízení odstranit potraviny podléhající zkáze.

## Tipy pro mrazení potravin

- Stejně jako při skladování čerstvých potravin, i u mrazení potravin platí, že jejich kvalitu zlepší vhodné balení, správná teplota a dodržování hygienických zásad.
- Do mrazničky neumísťujte horké potraviny. Nechte je nejprve vychladnout na pokojovou teplotu.
- Před zmrazením zkontrolujte kvalitu potravin a jejich vhodnost k zmrazení.
- K uložení potravin použijte neprodyšný balicí materiál, který nepropouští pachy (například plastové sáčky), aby bylo možné společné skladování různých potravin bez zhoršení jejich kvality. Zkontrolujte, zda obal nepropouští vzduch. Netěsné obaly vedou k dehydrataci potravin a úniku vitamínů.
- Povrch obalu by měl být suchý, protože potom k sobě jednotlivé obaly nepřimrznou.
- Balení si označte druhem potraviny a datem uložení.
- Potraviny vyžadují rychlé zmrazení, proto je vhodné pokud možno mrazit malé porce a maximálně snížit jejich teplotu před zmrazením. Doporučená maximální hmotnost jednotlivých porcí je 2,5 kg.
- Při každodenním zmrazování uložte nezmrazené potraviny odděleně od již zmrazených potravin.
- Nepřekračujte maximální hmotnost zmrazovaných potravin, která činí 10 kg za 24 hodin (podrobnosti najdete v technických údajích).
- Na vnějších obalu zapište dobu trvanlivosti a název potravin, abyste byli informováni o druhu uložených potravin a jejich požitelnosti.
- V případě potřeby vyjměte potraviny z mrazničky za účelem rozmrazení. Rozmrazené potraviny nesmějí být znovu zmrazeny, pokud nejsou uvařené.
- Do mrazničky neumísťujte příliš velké množství nezmrazených potravin najednou. Mohlo by tak dojít k překročení chladicího výkonu mrazničky (viz „Technické údaje“).
- Při ukládání průmyslově zmrazených potravin dodržujte následující pokyny:
  - Vždy dodržujte výrobcem uvedenou dobu trvanlivosti. Tuto dobu trvanlivosti nepřekračujte!
  - Kvůli zachování kvality se snažte potraviny uložit co nejdříve po zakoupení.
  - Nakupujte zmrazené potraviny, které byly skladovány při teplotě -18 °C nebo nižší.
  - Nekupujte potraviny s námrazou nebo ledem na obalu, protože to je známkou částečného rozmrazení a opětovného zmrazení. Nárůst teploty zhoršuje kvalitu potravin.
  - Při výpadku síťového napájení nebo poruše chladničky, trvajícím déle než 5 hodin, budete možná muset vyjmout potraviny z mrazničky a pokud je to možné, uložit je do jiné funkční mrazničky nebo na chladné místo splňující hygienické požadavky (garáž nebo prostor mimo dům) až do obnovení síťového napájení nebo opravy zařízení. Aby nedošlo k nežádoucímu zvýšení teploty, měli byste potraviny uložit do chladicího boxu nebo je zabalit do vrstev tepelně izolačního materiálu, například novinového papíru. Potraviny, které se rozmrazily, je nutné v krátké době buď zkonsumovat, nebo uvařit a znovu zmrazit (pokud je to vhodné), aby se zabránilo ohrožení zdraví.

## 4. Instalace

### Umístění zařízení

#### Volba místa

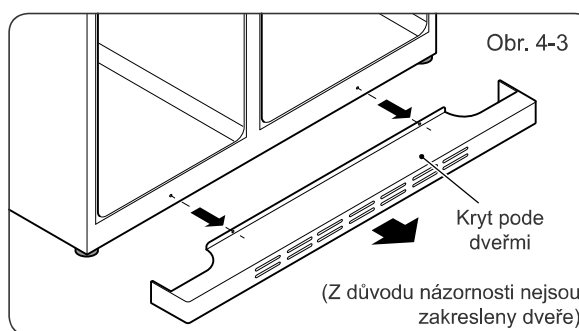
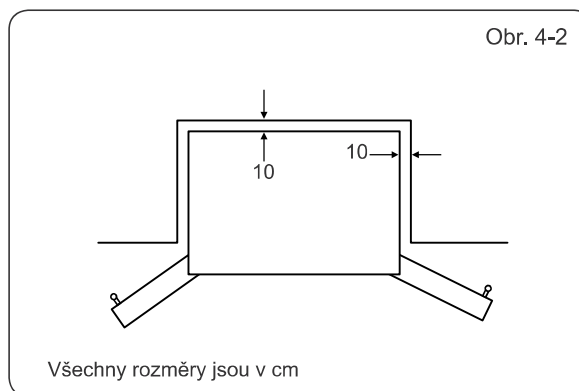
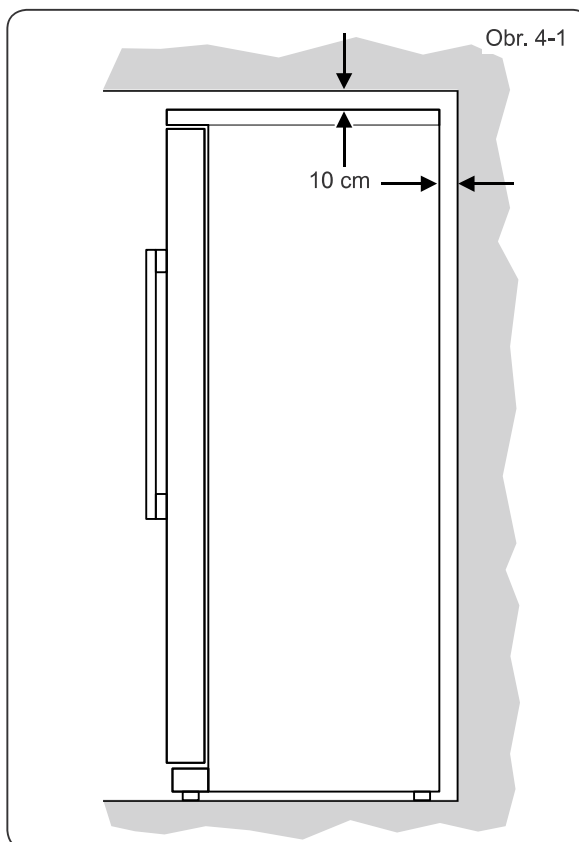
Toto zařízení musí být nainstalováno v suché a dostatečně větrané místnosti. Kvůli zajištění správné ventilace umístěte chladničku tak, aby měla ze všech stran odstup minimálně 10 cm od kuchyňských skříněk (obr. 4-1). Veškeré jednotky, umístěné nad zařízením, musí mít odstup minimálně 10 cm, aby byla zajištěna dostatečná ventilace.

Pokud je chladnička umístěna v koutě, je nutno zajistit dostatek místa pro otevírání dveří a vyjímání polic (obr. 4-2).

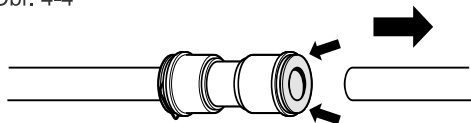
Toto zařízení musí být minimálně 100 mm od elektrického nebo plynového sporáku a 300 mm od sporáku na uhlí nebo naftu. Pokud to není možné, použijte vhodnou tepelnou izolaci.

Nevystavujte zařízení přímému slunečnímu záření a působení zdrojů tepla (radiátory, topení, vařiče).

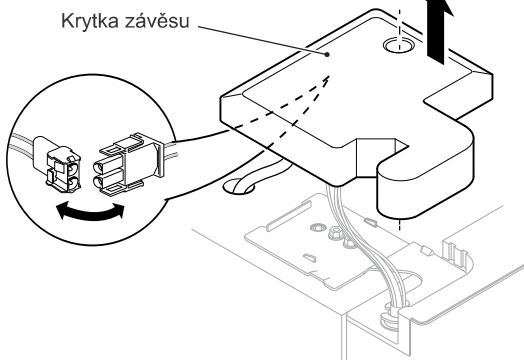
Umístění zařízení v chladném prostředí (přístřešek, přístavek nebo garáž) může narušit jeho výkonnost. Můžete zpozorovat nekonzistentní výkonnost zařízení a tím způsobené znehodnocení potravin. Doporučuje se stálá teplota okolí 10 °C nebo vyšší.



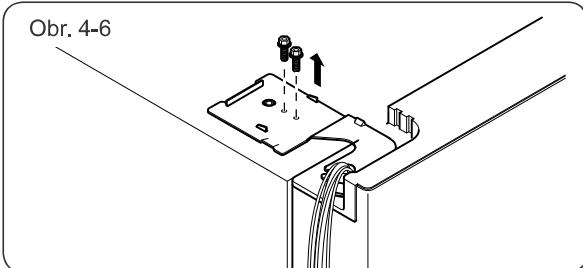
Obr. 4-4



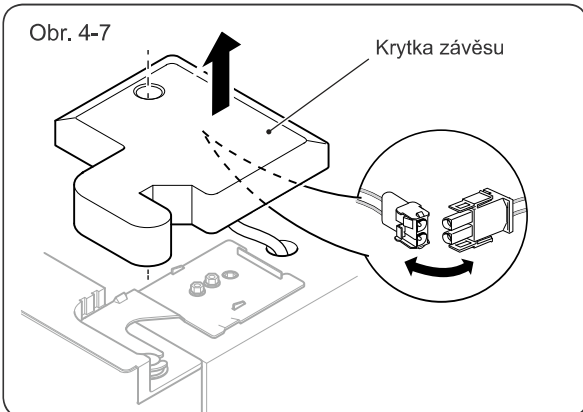
Obr. 4-5



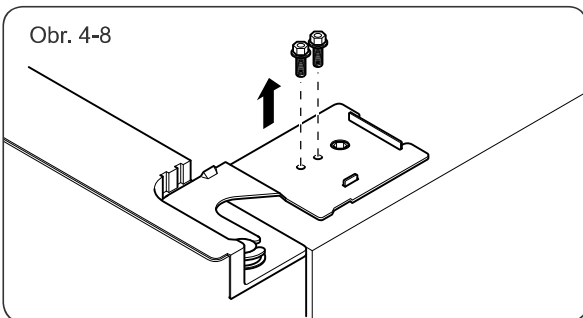
Obr. 4-6



Obr. 4-7



Obr. 4-8



## Demontáž a montáž dveří

- ▲ Pokud potřebujete demontovat dveře chladničky, postupujte podle níže uvedených pokynů pro demontáž a montáž dveří.
- ▲ Z bezpečnostních důvodů se doporučuje provádět níže uvedené činnosti se dvěma nebo více pomocníky, aby se předešlo zranění nebo poškození zařízení či jiného majetku.

Demontujte 2 upevňovací šrouby krytu pode dveřmi a tento kryt sejměte (obr. 4-3).

Rozpojte vodní potrubí: stiskněte a podržte prsteneč vyobrazeným způsobem (obr. 4-4) a odpojte vodní potrubí.

Sejměte horní kryt.

## Dveře mrazničky

1. Demontujte upevňovací šroub závěsu dveří a sejměte krytku (obr. 4-5). Odpojte všechny kabely s výjimkou uzemnění.
2. Demontujte upevňovací šrouby horního závěsu a sejměte závěs (obr. 4-6).
3. Zvedněte a sejměte dveře prostoru mrazničky. Potom dveře dostatečně zvedněte tak, aby bylo možno vytáhnout vodní potrubí z jejich spodní části.

## Dveře chladničky

1. Demontujte upevňovací šrouby závěsu dveří a sejměte krytku (obr. 4-7). Odpojte všechny kabely s výjimkou uzemnění.
2. Demontujte upevňovací šrouby horního závěsu a sejměte závěs (obr. 4-8).
3. Zvedněte a sejměte dveře prostoru chladničky.

## Zpětná montáž dveří

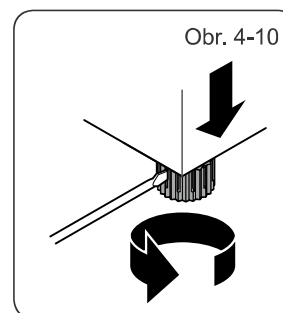
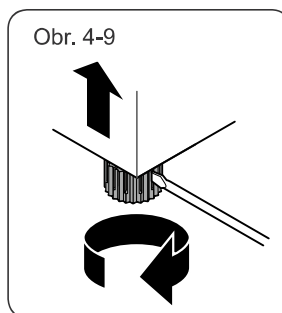
Namontujte dveře v opačném pořadí postupu jejich demontáže.

## Vyrovnání a seřízení dveří chladničky

Zařízení musí stát na vodorovné pevné podlaze. Pokud je chladnička umístěna na podstavci, musí být z pevného nehořlavého materiálu.

Toto zařízení má nastavitelné přední nožky, které je možno použít k ustavení do vodorovné polohy.

Do drážek nastavitelných nožek zasuněte plochý šroubovák. Otáčením šroubováku po směru hodinových ručiček se nožky zvyšují (obr. 4-9), proti směru hodinových ručiček se snižují (obr. 4-10).

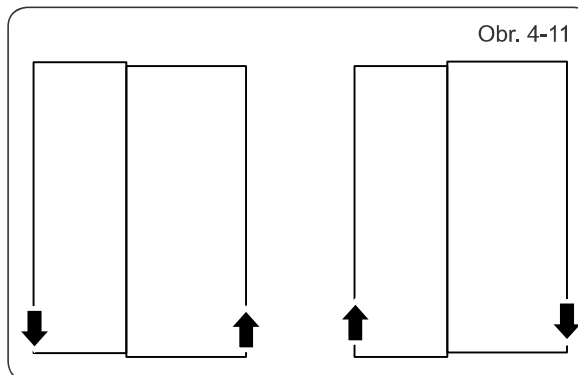


## Vyrovnání dveří

Před připojením k síťovému napájení bude možná zapotřebí vyrovnat dveře. To se provádí pomocí nožek (obr. 4-9 a obr. 4-10).

Chcete-li zvednout levé dveře, otáčejte levou nožkou po směru hodinových ručiček až do dosažení vodorovné polohy (obr. 4-11).

Chcete-li zvednout pravé dveře, otáčejte pravou nožkou po směru hodinových ručiček až do dosažení vodorovné polohy.



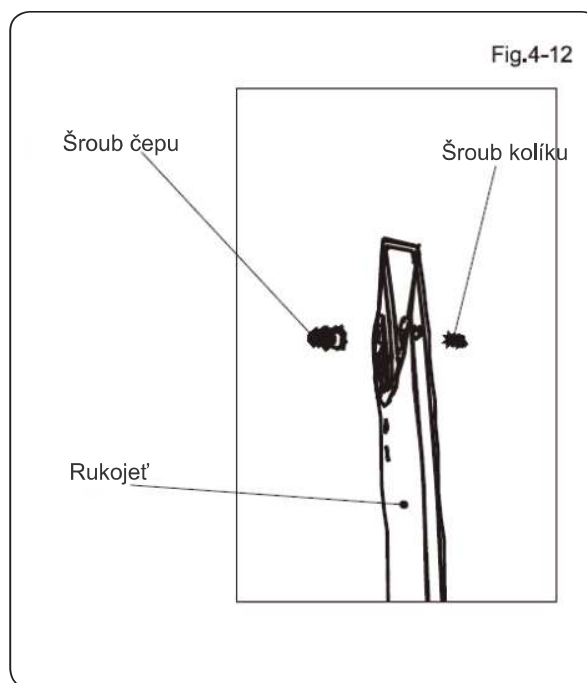
## Montáž madel

Rukojeti dvířek se montují na montážní šrouby již připevněné na jednotlivá dvířka (obr. 4-12).

Použijte imbusový klíč ze sáčku s pokyny pro montáž

1. Umístěte rukojeť pevně nad montážní šrouby.
2. Pomocí imbusového klíče dotáhněte šroub kolíku držícího rukojeť na dvířkách.

Nedotahujte šroub kolíku nadměrnou silou.

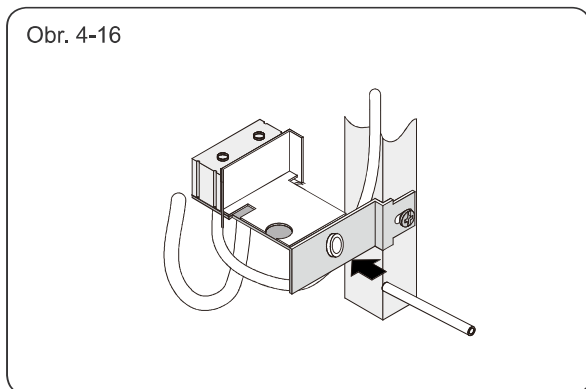
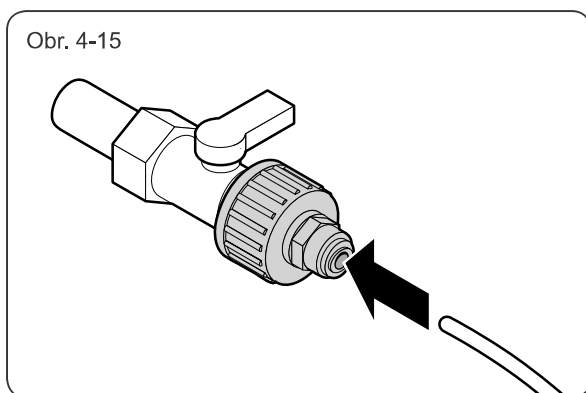
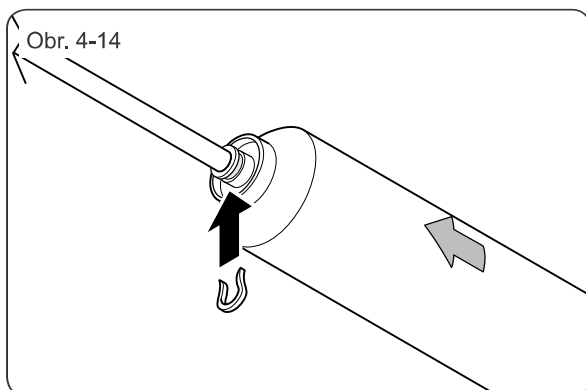
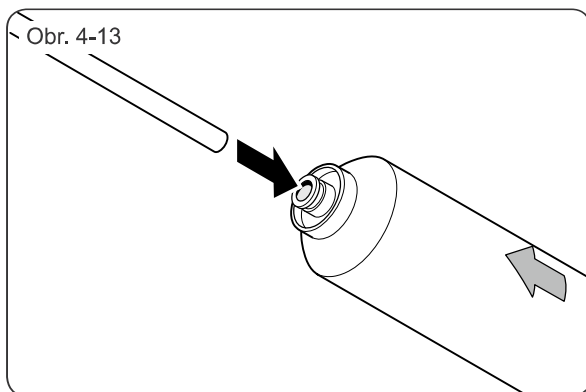


## Připojení k síťovému napájení

Připojte zařízení k síťovému napájení (220–240 V, 50 Hz) pomocí dodaného kabelu se zástrčkou.

Připojení k síťovému napájení musí odpovídat platným předpisům.

- ▲ Zařízení musí být připojeno k uzemněné zásuvce.
- ▲ Zástrčka musí být po instalaci zařízení přístupná.



## Připojení přívodu vody

▲ Instalaci produktu je vhodné svěřit kvalifikovanému technikovi.

Poznámka: Další podrobnosti k instalaci najdete v návodu dodávaném s vodním filtrem.

- Tlak přívodu vody automatického výrobku ledu je v rozmezí od 0,15 do 0,6 MPa.
- Vodovodní potrubí musí mít správnou délku, obvykle 8 metrů, a nesmí být v nainstalované poloze ohnuté. Pokud je vodovodní potrubí příliš dlouhé, sníží se tlak vody a tím se sníží výkon výroby ledu a studené vody.
- **NEPŘIPOJUJTE** zařízení k přívodu vody při teplotě nižší než 0 °C, protože by zamrzlo vodovodní potrubí.
- Zařízení připojte zásadně k přívodu pitné vody.
- Vodovodní potrubí musí mít dostatečný odstup od zdrojů tepla.
- Vodní filtr má za úkol zachycovat nečistoty obsažené ve vodě a zajišťovat čistotu a hygienické parametry ledu. Nedokáže provádět sterilizaci ani ničení bakterií, a proto musí být zařízení připojeno k přívodu pitné vody.
- Nedoplňujte vodu ručně, protože se jedná o automatický systém.
- Pokud je výrobek ledu zapnutý a zařízení není připojeno k přívodu vody, výrobek ledu nebude pracovat.

## Montáž vodního filtru

Změřte a uřízněte potřebnou délku potrubí od filtru k chladničce a od filtru ke zdroji vody. Použijte ostrý nůž. Řez musí být kolmý.

Zatlačte jedno z potrubí do vodního filtru (obr. 4-13).

Zajistěte potrubí ve filtru zasunutím pojistky do drážky podle obrázku (obr. 4-14).

Zopakujte tento postup i na druhé straně filtru.

Připojte konec k plastovému adaptéru (obr. 4-15). Adaptér našroubujte na vhodný přívod vody 1/2" BSP.

Zpřístupněte vodní ventil na zadní části chladničky. Zatlačte potrubí do vodního ventilu (obr. 4-16).

Otevřete vodní ventil, propláchněte potrubí, zkontrolujte těsnost spojů potrubí a nechte vodu téci až do okamžiku, kdy bude čistá.

## Zprovoznění dávkovače vody

Před prvním použitím několikrát stiskněte podložku dávkovače vody po dobu 1 minuty. Podložku nedržte stisknutou déle než 1 minutu, protože by se mohl přehřát elektromagnet. Z dávkovače začne téci studená voda.

## 5. Čištění a údržba

---

### Odmrazování

Odmrazování probíhá u tohoto zařízení automaticky, a proto není nutné jeho manuální provádění.

- ⚠ K urychlení procesu odmrazování **NEPOUŽÍVEJTE** mechanické prostředky.

### Čištění

- ⚠ Před čištěním zařízení odpojte od přívodu vody.

Aby se vnitřní zápach omezil na minimum, je nejlepší pravidelně čistit police, zásuvky, přihrádky a stěny.

Vyjměte ze zařízení všechny potraviny a vyjměte police.

Vyčistěte vnitřní prostor roztokem teplé vody a jedlé sody. Potom vnitřní prostor důkladně vysušte vhodným hadříkem.

- ⚠ **NEPOUŽÍVEJTE** brusné nebo agresivní čisticí prostředky, protože by mohly poškodit vnitřek zařízení.

Police a ostatní příslušenství (plastové a skleněné díly) je možno ponořit do dřezu a umýt prostředkem na nádobí. Před umístěním zpět do zařízení zkontrolujte, zda je čisticí prostředek úplně opláchnutý a zda jsou všechny díly suché.

Těsnění dveří udržujte v čistotě.

- ⚠ Chladnička je těžká. Při manipulaci chladničkou je vhodné chránit podlahu. Chladničku udržujte ve svislé poloze a nenaklánějte ji, protože jinak by mohlo dojít k poškození dveří.
- ⚠ Na chladničku **NESTRÍKEJTE** vodu ani jiné kapaliny. Mohlo by dojít k poškození elektroinstalace.
- ⚠ Při čištění v blízkosti elektroinstalace (například u světel nebo spínačů) používejte suchý hadřík.
- ⚠ Chladničku **NEČISTĚTE** tvrdými ani kovovými kartáči.
- ⚠ **NEPOUŽÍVEJTE** organická rozpouštědla, jako jsou saponáty, benzín, ředidla nebo aceton.
- ⚠ Abyste zabránili přimrznutí pokožky k chladným kovovým dílům, osušte si před kontaktem s těmito díly ruce.
- ⚠ K čištění skleněných polic **NEPOUŽÍVEJTE** HORKOU VODU, protože by sklo mohlo popraskat.
- ⚠ Po instalaci nového vodního filtru nekonzumujte žádný led vyrobený během prvních 24 hodin.

### Vypnutí chladničky

V případě výpadku síťového napájení by měly potraviny zůstat bezpečně vychlazené po dobu 5 hodin.

V případě dlouhodobého výpadku síťového napájení budete možná muset vyjmout potraviny z mrazničky, zabalit je do vrstev novinového papíru a uložit na chladném místě, aby si uchovaly nízkou teplotu.

Po obnovení síťového napájení umístíte potraviny zpět do mrazničky.

Pokud začnou potraviny rozmrazovat nebo je výpadek síťového napájení nečekaně dlouhý, je vhodné veškeré potraviny vyjmuté z mrazničky zkonsumovat.

Pokud je výpadek síťového napájení krátkodobý, většinu potravin je možno nechat v mrazničce, protože tak si nejlépe udrží nízkou teplotu – a jsou obklopeny kostkami ledu ze zásobníku. Toto je také ideální řešení pro plánované, předem oznamované, odstávky dodávky elektrické energie.

Při zjištění jakéhokoliv výpadku síťového napájení neumísťujte do mrazničky žádné další potraviny.

### Pokud zařízení nepoužíváte

Pokud zařízení po delší dobu nepoužíváte, doporučuje se vypnout elektrické napájení, vyjmout veškeré potraviny, vyčistit vnitřek a nechat pootevřené dveře. Tím se ušetří energie a zabrání se vzniku zatuchlého zápachu ve vnitřním prostoru.

### Vodní filtr

Z důvodu zachování kvality vody je nutné občas provést výměnu filtru. Doporučujeme výměnu filtru provádět jednou za 6 měsíců. Pokud se však zhorší kvalita vody po vzhledové nebo chuťové stránce, je nutné výměnu filtru provést dříve.

## 6. Odstraňování závad

Předtím, než zavoláte servis, si přečtěte následující tabulku. Můžete si tak ušetřit peníze a čas.

Problém	Příčina	Řešení
<b>Teplota je příliš nízká</b>		
1.1	Teplota v prostoru mrazničky je příliš nízká, přičemž v prostoru chladničky je správná.	1.1.1 Teplota v prostoru mrazničky je nastavena na příliš nízkou hodnotu.
1.2	Teplota v prostoru chladničky je příliš nízká, přičemž v prostoru mrazničky je správná.	1.2.1 Teplota v prostoru chladničky je nastavena na příliš nízkou hodnotu.
1.3	Potraviny v policích jsou zmrazené.	1.3.1 Teplota v prostoru chladničky pro čerstvé potraviny je nastavena na příliš nízkou hodnotu.
1.4	Potraviny v zásuvkách chladničky jsou zmrazené.	1.4.1 Teplota v prostoru chladničky pro čerstvé potraviny je nastavena na příliš nízkou hodnotu.
1.5	Na displeji dávkovače se zobrazují chybové kódy.	1.5.1 Byl zjištěn problém elektronického řídicího systému.
<b>Teplota je příliš vysoká</b>		
2.1	V prostoru mrazničky se zásuvkami nebo v prostoru chladničky pro čerstvé potraviny je příliš vysoká teplota.	2.1.1 Příliš často nebo na příliš dlouhou dobu se otevírají dveře. 2.1.2 Zůstaly otevřené dveře.
2.2	Teplota v prostoru mrazničky je příliš vysoká, ale v prostoru chladničky pro čerstvé potraviny je správná.	2.2.1 Teplota v prostoru mrazničky je nastavena na příliš vysokou hodnotu.
2.3	Teplota v prostoru chladničky pro čerstvé potraviny je příliš vysoká, ale v prostoru mrazničky je správná.	2.3.1 Teplota v prostoru chladničky pro čerstvé potraviny je nastavena na příliš vysokou hodnotu.
2.4	Teplota v zásuvkách chladničky je příliš vysoká.	2.4.1 Teplota v prostoru chladničky pro čerstvé potraviny je nastavena na příliš vysokou hodnotu.
<b>Voda, vlhkost nebo námraza či led v chladničce</b>		
3.1	Shromažďování vlhkosti uvnitř chladničky.	3.1.1 Chladnička se nachází v horkém nebo vlhkém prostředí. 3.1.2 Zůstaly otevřené dveře. 3.1.3 Příliš často nebo na příliš dlouhou dobu se otevírají dveře nebo zásuvky. 3.1.4 Nádobky s potravinami nebo tekutinami zůstaly otevřené.
3.2	Vytváření kapek vody v prostoru spodních zásuvek.	3.2.1 Vlhkost je nastavena na příliš vysokou hodnotu.
		3.1.1.1 V dotčeném prostoru zkuste mírně zvýšit teplotu. 3.1.2.1 Zkontrolujte těsnění dveří, zda správně těsní rám kovové skříně a zda jsou čistá. 3.1.3.1 Omezte četnost otevírání dveří. 3.1.4.1 Nechte horké potraviny vychladnout na pokojovou teplotu a potraviny a tekutiny zakryjte. 3.2.1.1 Shromažďování určitého množství vzdušné vlhkosti v zavřených zásuvkách je normální. Aby se omezilo shromažďování vlhkosti, snižte hodnotu na regulátoru vlhkosti nebo nastavte teplotu v prostoru chladničky pro čerstvé potraviny na vyšší hodnotu.

Problém	Příčina	Řešení	
3.3 Shromažďování vody na spodních plochách skleněných vík zásuvek.	3.3.1	Vlhkost uvolněná z vlhkých potravin.	
	3.3.2	Netěsnící těsnění dveří nebo příliš časté otevírání dveří ve vlhkém prostředí.	
	3.3.1.1	Potraviny při ukládání do chladničky nejprve zbavte přílišné vlhkosti suchou utěrkou.	
	3.3.2.1	Zkontrolujte těsnění dveří a omezte otevírání dveří. Případně nastavte vyšší teplotu v prostoru chladničky pro čerstvé potraviny.	
Voda/Vlhkost/námraza zvenku na chladniče			
4.1 Vlhký vzduch vytváří kapky vody na vnějším povrchu chladničky.	4.1.1	Teplý vlhký vzduch z vnějšího prostředí se mísí s chladným vzduchem na plochách těsnění dveří chladničky a mrazničky a tak dochází ke kondenzaci.	
		4.1.1.1	Malé orosení nebo kondenzace vlhkosti je normální. Nejlepší je zvýšit výkon zařízení otřením suchým hadříkem.
		4.1.1.2	Mírné zvýšení teploty ve vnitřních prostorech může toto srážení vlhkosti omezit.
	4.1.1.3	Zkontrolujte přiléhavost a čistotu těsnění dveří.	
Automatický výrobek ledu			
5.1 Výrobek ledu nefunguje správně.	5.1.1	Kostky ledu jsou přilepené k sobě.	
	5.1.2	Kostky ledu mohou být při dlouhodobém skladování slepené k sobě.	
	5.1.1.1	Vyjměte shluk kostek ledu, rozdrťte jej a do zásobníku ledu vraťte pouze oddělené kostky ledu.	
	5.1.2.1	Viz výše uvedený bod 5.1.1.1.	
5.2 Kostky ledu jsou příliš velké nebo příliš malé.	5.2.1	Nesprávně nastavený přívod vody výrobníku ledu.	
		5.2.1.1	Nastavte přívod vody výrobníku ledu správně.
Dávkač studené vody a ledu			
6.1 Zařízení nevydává studenou vodu.	6.1.1	Nejsou správně zavřené dveře chladničky nebo mrazničky. Není otevřený přívod vody.	
		6.1.2	Vodní filtr je neprůchodný.
		6.1.3	Vodovodní potrubí je neprůchodné.
	6.1.1.1	Zavřete všechny dveře zařízení. Otevřete naplno přívod vody.	
	6.1.2.1	Vyměňte vodní filtr.	
	6.1.3.1	Zkontrolujte, zda není vodovodní potrubí zkroucené nebo neprůchodné.	
6.2 Voda podivně páchne.	6.2.1	Voda byla skladována příliš dlouhou dobu.	
		6.2.2	Místní zdroj pitné vody nemusí být v pořádku.
	6.2.1.1	Vypusťte a vylijte 7 sklenic vody. Zkontrolujte, zda se pach zlepšil.	
	6.2.1.2	Kontaktujte místní vodárnu kvůli kontrole kvality vody.	
6.3 Zařízení nevydává led.	6.3.1	Nejsou správně zavřené dveře chladničky nebo mrazničky.	
		6.3.2	V zásobníku nejsou kostky ledu.
		6.3.3	Teplota v prostoru mrazničky je nastavena na příliš vysokou hodnotu.
	6.3.1.1	Zavřete všechny dveře zařízení.	
	6.3.2.1	Počkejte, dokud zařízení nezačne vydávat kostky ledu.	
	6.3.3.1	Snižte teplotu v prostoru mrazničky, aby se zvýšil výkon výrobníku ledu.	
6.4 Dávkač je zablokovaný	6.4.1	Na vřetenu přimrzla voda z ledu.	
		6.4.2	Mezi výrobníkem a zásobníkem ledu vážnou kostky ledu.
		6.4.3	Kostky ledu jsou přilepené k sobě.
		6.4.4	V dávkači jsou kostky ledu z jiného zařízení.
	6.4.1.1	Vyjměte zásobník. Očistěte a osušte vřeteno. Dejte zásobník zpět.	
	6.4.2.1	Odstraňte kostky ledu z vedení mezi výrobníkem ledu a zásobníkem.	
	6.4.3.1	Vyjměte shluk kostek ledu, rozdrťte jej a do zásobníku ledu vraťte pouze oddělené kostky ledu.	
	6.4.4.1	V dávkači je možno používat pouze kostky ledu vyrobené tímto výrobníkem.	

Problém	Příčina	Řešení
<b>Chladnička zapáchá</b>		
7.1 Vnitřek chladničky je znečištěný.	7.1.1 Vnitřní stěny, police a přihrádky ve dveřích je nutné očistit.	7.1.1.1 Očistěte veškeré vnitřní plochy teplou vodou a měkkým hadříkem a potom je osušte.
	7.1.2 Byla překročena doba trvanlivosti potravin uložených v chladničce.	7.1.2.1 Potraviny zabalte a přikryjte, aby se dosáhlo delší doby trvanlivosti.
<b>Dveře se obtížně otevírají nebo zavírají</b>		
8.1 Dveře mají problém se zavíráním.	8.1.1 Uložené potraviny nebo obaly brání zavření dveří.	8.1.1.1 Přemístěte police, přihrádky ve dveřích nebo vnitřní nádoby tak, aby bylo možné zavřít dveře.
	8.1.2 Chladnička není ve vodorovné poloze, což vede k vychýlení dveří z normální polohy.	8.1.2.1 Vytvořte vodorovný podklad, přičemž použijte tuhé nehořlavé materiály.
	8.1.3 Dveře narážejí do sousedních skříněk nebo zařízení.	8.1.3.1 Vytvořte dostatečný odstup 25 mm od všech 3 stran a horní plochy skříně chladničky, aby se dveře mohly volně otevírat/zavírat.
<b>Všeobecné</b>		
9.1 Kompresor nepracuje.	9.1.1 Chladnička provádí hluboké zmrazení.	9.1.1.1 Toto je pro chladničku při automatickém hlubokém zmrazení normální. Hluboké zmrazení trvá přibližně 30 minut.
	9.1.2 Chladnička není napájena.	9.1.2.1 Zkontrolujte zástrčku, zda je úplně zasunutá v zásuvce. 9.1.2.2 Nedošlo k zásahu jističe? Zkontrolujte pojistku 13 A a vyměňte ji za novou nebo zapněte jistič. 9.1.2.3 Zkontrolujte elektrické napájení místnosti. Kontaktujte místního dodavatele elektřiny.
9.2 Chladnička se zapíná velmi často nebo je zapnutá dlouhodobě.	9.2.1 Pokojová teplota nebo teplota prostředí je vysoká.	9.2.1.1 Trvalý provoz je pro chladničku normální.
	9.2.2 Je v provozu výrobek ledu.	9.2.2.1 Toto je normální – výrobek ledu zvyšuje zatížení chladničky.
	9.2.3 Jsou často otevírány dveře.	9.2.3.1 Pokuste se omezit četnost otevírání dveří nebo zásuvek.
	9.2.4 Teploty v mrazničce a chladničce jsou nastaveny na nízké hodnoty.	9.2.4.1 Nastavte teploty v prostorech chladničky a mrazničky na mírně vyšší hodnotu a počkejte 24 hodin, aby se dosáhlo nového vyrovnání teplot.
	9.2.5 Těsnění dveří může být znečištěné, zdeformované nebo poškozené.	9.2.5.1 Očistěte těsnění nebo jej mírně zahřejte vysoušečem vlasů tak, aby se vytvarovalo podle kovového rámu.
9.3 Kompresor se často zapíná a vypíná.	9.3.1 Snímače v prostorech chladničky udržují nastavené teploty, a proto dochází k cyklickému spínání kompresoru.	9.3.1.1 To je normální. Kompresor chladničky poskytuje požadovaný chladicí výkon.
10.1 Světlo nesvítí.	10.1.1 Spínač světla je zablokovaný nečistotami nebo zbytky potravin.	10.1.1.1 Vytáhněte zástrčku napájecího kabelu ze zásuvky. Vyhledejte spínač světla na obložení vnitřní stěny chladničky a několikrát jím pohněte dovnitř a ven, aby se potraviny uvolnily.
	10.1.2 Není zapnuté napájení chladničky.	10.1.2.1 Zkontrolujte, zda je napájecí zástrčka úplně zasunutá v zásuvce.
11.1 Zevnitř chladničky nebo mrazničky se ozývá pípání.	11.1.1 Dveře jsou otevřené déle než 60 sekund.	11.1.1.1 To je normální stav, který se bude každou minutu opakovat až do zavření dveří.



## 7. Technické údaje

---

### Jmenovité hodnoty

Model	HRF-628A*6/HRF-628I*6
Elektrické napětí a frekvence	220 až 240 V 50 Hz
Energetická třída	A+
Klimatická třída	SN-N-ST
Počet hvězdiček mrazničky	*/***
Chladivo	R600a, 80 g
Hrubý vnitřní objem	610 litrů
Čistý vnitřní objem	550 litrů
Čistý vnitřní objem chladničky	375 litrů
Čistý vnitřní objem mrazničky	175 litrů
Chladicí výkon mrazničky za 24 hodin	10 kg/24 h
Spotřeba energie za rok	420 kW·h/rok
Spotřeba energie (EN153)	1,15kW·h/24h
Maximální hladina hluku	42 dB(A)
Maximální doba skladování při výpadku napájení	5 h
Výkon výrobku ledu	1 kg/24 h

Model	HRF-630A*7/HRF-630I*7
Elektrické napětí a frekvence	220 až 240 V 50 Hz
Energetická třída	A++
Klimatická třída	SN-N-ST-T
Počet hvězdiček mrazničky	*/***
Chladivo	R600a, 80 g
Hrubý vnitřní objem	610 litrů
Čistý vnitřní objem	550 litrů
Čistý vnitřní objem chladničky	375 litrů
Čistý vnitřní objem mrazničky	175 litrů
Chladicí výkon mrazničky za 24 hodin	10 kg/24 h
Spotřeba energie za rok	355 kW·h/rok
Spotřeba energie (EN153)	0.97 kW·h/24h
Maximální hladina hluku	42 dB(A)
Maximální doba skladování při výpadku napájení	5 h
Výkon výrobku ledu	1 kg/24 h

---

## A készülék első használata előtt

Rendeltetészerű használat: A készüléket kizárólag száraz, beltéri háztartásokban való használatra tervezték. Minden más jellegű felhasználás szabálytalannak számít, és sérülésekhez vezethet, amely esetben a gyártó mentesül a felelősség alól.

### Teendők...

Ügyeljen arra, hogy a csatlakozódugó ne szoruljon a hűtőszekrény alá.

A hűtőszekrény kihúzásakor ne a vezetékét, hanem a csatlakozódugót fogja meg.

Ügyeljen arra, hogy a hűtőszekrény faltól való elhúzásakor ne terhelje vagy károsítsa a vezetékét. Ügyeljen arra, hogy a csatlakozódugó ne sérüljön. Ha megsérült, lehetőleg kapcsolja ki a készüléket, és óvatosan húzza ki a készüléket az áramforrásból, majd a cserét illetően forduljon egy hivatalos szervizhez.

Ügyeljen arra, hogy ne legyen szivárgó gáz vagy egyéb gyúlékony gáz a hűtőszekrény közelében. Ha ez előfordul, zárja el a szivárgó gáz szelepét. Nyissa ki az ajtókat és az ablakokat, de ne húzza ki vagy dugja be a hűtőszekrény vagy bármely más készülék tápkábelét.

Tisztításhoz, karbantartáshoz vagy lámpacseréhez húzza ki a hűtőszekrényt az áramforrásból.

Nyissa ki az ajtókat a fogantyúnál fogva, és ügyeljen arra, nehogy az ujjai becsípődjenek, mivel az ajtók közötti rés igen szűk lehet.

A hűtőszekrény kihúzása során hagyjon legalább 5 perct az újraindítás előtt, mivel a gyakori indítás miatt a kompresszor sérülhet.

Hagyja szabadon a szellőzőnyílásokat.

A hűtőszekrény használatból történő kivonásakor ügyeljen arra, hogy gyermekek ne ragadjanak véletlenül benne; ennek érdekében távolítsa el a hűtőszekrény ajtóit, ajtótomitéseit és polcait, majd helyezze azokat megfelelő helyre.

A hűtőszekrényt jól szellőző, ivóvízforrástól nem messze lévő helyre állítsa.

Gondoskodjon arról, hogy legalább 20 cm legyen a hűtőszekrény felett, 10 cm pedig akörül.

A készüléket úgy helyezze el, hogy szabadon hozzáférhessen a csatlakozódugóhoz.

### Kerülendő...

A hűtőszekrény 220-240 VAC/50 Hz áramellátással működik. Ha a hűtőszekrényt nem a megfelelő feszültségre csatlakoztatja, az ingadozás miatt nem indul, vagy károsodik a hőmérséklet szabályozó vagy a kompresszor, illetve a kompresszor működése során abnormális zaj észlelhető. Ebben az esetben automatikus szabályozót kell felszerelni.

A hűtőszekrényhez megfelelő aljzat és megbízható földelés szükséges. A hűtőszekrény tápkábele 3 pólusú (földelés) csatlakozódugóval van felszerelve, amely illik a normál 3 pólusú (földelt) aljzatba. Soha ne vágja vagy szerelje le a harmadik pólust (földelés). A hűtőszekrény elhelyezését követően a csatlakozódugó legyen hozzáférhető.

Soha ne tároljon gyúlékony, robbanékony vagy korrozív anyagokat a hűtőszekrényben.

Ne tároljon gyógyszereket, baktériumokat vagy vegyi anyagokat a hűtőszekrényben. A hűtőszekrény háztartási felhasználásra készült. Nem javasoljuk, hogy olyan anyagokat helyezzen el benne, amelyek szigorúan pontos hőmérsékletet igényelnek. A tüzesetek elkerülése érdekében ne tároljon vagy használjon benzint vagy egyéb gyúlékony anyagokat a hűtőszekrény közelében.

Ne helyezzen instabil tárgyakat (nehéz tárgyakat, folyadékkal teli tárolóedényeket) a hűtőszekrény tetejére, ezáltal elkerülheti a leesések vagy a vízzel való érintkezés által okozott áramütés miatt bekövetkező személyi sérüléseket.

Ne kapaszkodjon az ajtóba vagy az ajtón lévő italtartó polcokba. Előfordulhat, hogy az ajtó kitér függőleges helyzetéből, az italtartó polcot elhúzza vagy a hűtőszekrény felborul.

Ne lépjen a mélyhűtőrekesz ajtajára, polcaira vagy burkolatára az élelmiszerek elhelyezése vagy eltávolítása közben.

Ne érintse meg a mélyhűtőrekesz első felületét annak működése közben, különösen nedves kézzel, mivel azok ráfagynak annak felületére.

A hűtőszekrény elektromos szigetelésének biztosítása érdekében ne permetezzen vagy öntsön vizet a hűtőszekrényre tisztítás közben. Ne helyezze a hűtőszekrényt nedves területre vagy olyan helyre, ahol víz fröccsenhet rá. A tisztítást, a vízcepppek és a foltok eltávolítását puha, tiszta kendővel végezze.

A hűtőszekrény szétszereléséhez és módosításához engedélyt kell kérni. A hűtőszekrény hirtelen vagy durva elmozdítása kárt tehet a hűtőcsövekben. Ennek következtében anyagi kárt vagy személyi sérülést szenvedhet.

A hűtőszekrény javítását szakképzett személy végezheti.

Soha ne tároljon üveges sört vagy italokat a mélyhűtőben, mivel azok a fagyás során megrepedhetnek.

Ne helyezze a hűtőszekrényt közvetlen napfényre vagy olyan helyre, ahol tűzhelyek, fűtőtestek vagy egyéb készülékek által keltett hőhatásnak van kitéve.

Ne hagyja nyitva a hűtőszekrény ajtóit felnőtt jelenléte nélkül, és ne engedje, hogy a gyermekek bejussanak a hűtőszekrénybe.

Ne engedje, hogy kisgyermekek vagy gyermekek felmásszanak a mélyhűtő fiókra.

Ne használjon elektromos készülékeket a hűtőszekrényben, kivéve, ha a gyártó javasolta.

Ne károsítsa a hűtőközeg-kört.

A hűtőszekrény belsejének szárításához ne használjon hajszárítót. Ne helyezzen égő gyertyát a hűtőszekrénybe a szagok eltávolítására.

Ne szórjon illékony anyagokat, például rovarölő szert a készülék felületére.

Csak akkor nyissa ki vagy csukja be a hűtőszekrény ajtóit, amikor nem áll gyermek az ajtó mozgásának útjában.

Csökkenett fizikai, érzékelési vagy szellemi képességű személyek (beleértve a gyermekeket), illetve kellő tapasztalattal és tudással nem rendelkezők a készüléket csak a megfelelő felügyelet mellett, illetve a biztonságukért felelős személytől kapott, a készülék használatára vonatkozó pontos utasítások ismeretében használhatják.

Ne tároljon túl sok élelmiszert a mélyhűtő rekeszben; ezáltal elkerülhető a kompresszor hosszú ideig tartó működése vagy az élelmiszer leesése. Javasoljuk, hogy ne lépje túl a fiókok teherbírási korlátját.

Az élelmiszer össztelege ne haladja meg a 30 kg-ot. Az élelmiszer földre való leesésének elkerülése érdekében ne húzza ki a mélyhűtő fiókját túl erősen vagy ferdén.

Ne használjon a gyártó által javasoltaktól eltérő mechanikus eszközöket vagy egyéb módszereket a leolvasztási folyamat felgyorsításához.

Ha a hűtőszekrény világításával kapcsolatban probléma merülne fel, forduljon ügyfélszolgálatunkhoz. A felhasználók azt nem cserélhetik ki.

---



# Tartalom

---

<b>1. Bekapcsolás előtt</b>	<b>1</b>	<b>5. Tisztítás és karbantartás</b>	<b>19</b>
Biztonság	1	Leolvasztás	19
Hűtőgázzal kapcsolatos információ	2	Tisztítás	19
Környezetvédelem	2	A hűtőszekrény kikapcsolása	19
<b>2. Tudnivalók a hűtőszekrényről</b>	<b>3</b>	Használaton kívül helyezés esetén	19
Tudnivalók a friss élelmiszer rekeszről	5	Vízszűrő	19
Tudnivalók a mélyhűtőrekeszről	6	<b>6. Hibaelhárítás</b>	<b>20</b>
A jégkészítő/vízadagoló	7	<b>7. Műszaki jellemzők</b>	<b>23</b>
Otthoni bár	7		
A mélyhűtővel rendelkező hűtőszekrény üzemeltetése	9		
A víz- és jégadagoló üzemeltetése	12		
Biztonság	12		
Automatikus leolvasztás	12		
Riasztás funkció	12		
Kijelző kikapcsolása	12		
<b>3. Élelmiszer-tárolási tippek</b>	<b>13</b>		
Friss élelmiszerre vonatkozó tárolási tippek	13		
Élelmiszer lefagyasztására vonatkozó tippek	14		
<b>4. Beüzemelés</b>	<b>15</b>		
A készülék elhelyezése	15		
Az ajtók eltávolítása/beüzemelése	16		
A mélyhűtővel rendelkező hűtőszekrény szintezése és az ajtók beállítása	17		
Az ajtók szintezése	17		
A fogantyúk felszerelése	17		
Tápellátás csatlakozása	17		
Vízellátás csatlakozása	18		

- Bekapcsolás előtt feltétlenül olvassa el a felhasználói útmutatót.
- Tartsa biztonságos helyen a felhasználói útmutatót.
- A készülék burkolatán, illetve a beépített szerkezetben lévő szellőzőnyílásokat akadálymentesen kell tartani.
- Ne használjon a gyártó által javasoltaktól eltérő mechanikus eszközöket vagy egyéb módszereket a leolvasztási folyamat felgyorsításához.
- Ne károsítsa a hűtőközeg-kört.
- Ne használjon a gyártó által javasoltaktól eltérő típusú elektronikus készülékeket a készülék élelmiszer-tároló rekeszeiben.
- A folyamatos fejlesztést célzó vállalati irányelvünk miatt fenntartjuk a műszaki jellemzők előzetes figyelmeztetés nélküli változtatásának jogát.

# 1. Bekapcsolás előtt

---

Köszönjük, hogy ezt a mélyhűtőfunkcióval ellátott hűtőszekrényt választotta. Reméljük, hogy hűtési igényeinek megfelelő, stílusos és praktikus megoldást biztosít Önnek. Olvassa el ezt a kézikönyvet az új, mélyhűtőfunkcióval ellátott hűtőszekrény használata előtt. Tegye el biztonságos helyre ezt a kézikönyvet, és ha ez esedékessé válik, adja át az új tulajdonosnak. Reméljük, hogy ebben a kézikönyvben megtalálja az összes szükséges információt. Ha esetleg nem biztos valamiben, forduljon hozzánk (lásd a Garancia című fejezetben az ügyfélszolgálatra vonatkozó részletes adatokat).

- ▲ **VIGYÁZAT!** Ezt a készüléket földelni kell.
- ▲ Legalább hat órán át hagyja állni a készüléket. Ez azért szükséges, hogy a hűtőrendszer a szállítást követően egyensúlyba kerülhessen.
- ▲ Feltétlenül ügyeljen arra, hogy szakképzett személy üzemelje be a készüléket.
- ▲ A mélyhűtőrekesz 4 csillag besorolással rendelkezik.
- ▲ A készüléket kifejezetten háztartási célokra tervezték. Ha egyéb célra használják, a garancia vagy a kártérítési kötelezettség érvénytelenné válhat.
- Mielőtt a hálózati aljzatra csatlakoztatná a készüléket, tisztítsa meg a készülék belsejét meleg vízzel és szódobikarbónával, majd alaposan szárítsa meg.
- Ellenőrizze, hogy nem károsodott-e a készülék valamelyik része, különös tekintettel a hűtőrendszer alkatrészeire, a csövekre, illetve a vezetésekre. Ha károsodást észlel, NE üzemelje be a készüléket. Forduljon szakképzett szervizmérnökhöz, illetve az ügyfélszolgálatához.
- Ha a készülék belsejében lévő tartozékok a szállítás során elmozdultak, igazítsa meg azokat az utasításoknak megfelelően.
- Ellenőrizze, hogy az Önnél lévő hálózati aljzat tápellátása megfelelő-e ehhez a készülékhez – a szükséges áramellátásra vonatkozó információ a készülék adatkímekjén van feltüntetve. Az adatkímke a készülék belsejében (a hűtőrekesz felső részén) található.
- Miután a készüléket beüzemelte, megtisztította és megszáritotta, valamint a szállítást követően állni hagyta, csatlakoztathatja a hálózati aljzathoz, és bekapcsolhatja.

## Biztonság

- ▲ **VIGYÁZAT!** A készülékhez kizárólag ivóvizet használjon.
- ▲ **VIGYÁZAT!** Ügyeljen arra, hogy a készülék közvetlen környezetében ne legyenek akadályok.
- ▲ **VIGYÁZAT!** NE károsítsa a hűtőközeg-kört. Ha mégis károsodna, ne használja tovább a készüléket.

- ▲ **VIGYÁZAT!** NE használjon mechanikus eszközöket (például hajszerítőt) a készülék leolvasztásához.
- ▲ **VIGYÁZAT!** A víz és jég elvezetésére használatos csőhálózatot alaposan át KELL öblíteni a használat előtt. Lásd a jelen kézikönyv Jégkészítő/vízadagoló című részét.
- Régi készülékek cseréjekor ügyeljen az összes zárszerkezet használhatatlanná tételére a leselejtezés előtt. A legjobb megoldás az, ha a készülék ajtaját leszerelik, így megakadályozható, hogy gyerekek szoruljanak be a készülékbe.
- A készüléket biztonságosan csatlakoztatni kell a tápellátáshoz. A laza csatlakozások, a károsodott csatlakozók, illetve a nem szigetelt vezetékek biztonsági kockázatot jelentenek. Ügyeljen arra, hogy az összes csatlakozás megfelelő állapotú legyen.
- Rutinszerű karbantartás, illetve kisebb javítások végrehajtása előtt csatlakoztassa le a készüléket a tápellátásról. Ezt tisztítás, illetve az izzók cseréje esetén is meg kell tenni.
- Használatban lévő készüléknél NE érintse meg a készülék hideg felületeit, mivel így hozzáragadhat a keze a megérintett felülethez, ami fagyási sérülést okoz.
- A készülék mozgatásakor ügyeljen arra, hogy ne károsodjanak a vezetékek, a csövek, illetve a kondenzátor. Ha ezek az alkatrészek károsodnak, forduljon szakképzett szervizmérnökhöz.
- A szénsavas italokat tilos lefagyasztani. Ezek a folyadékok ugyanis a fagyasztás során kitágulnak, így az üvegek/tartályok összetörhetnek, illetve felrobbanhatnak.
- Olyan élelmiszereket, melyeket először ki kell olvasztani, illetve meg kell sütni/főzni, például kenyérfélék és húsok, tilos fagyasztott állapotban fogyasztani.
- Ha az élelmiszer furcsán néz ki, illetve furcsa szaga van, ne fogyassza el. Ha kétsége van valamelyik élelmiszerral kapcsolatban, inkább dobja ki.
- Soha ne használjon éles, fém eszközöket a jégréteg lekaparásához a készülék felületeiről. Csak ilyen célra megfelelő eszközöket használjon (például műanyag kaparókat), és óvatosan alkalmazza ezeket, nehogy károsítsa a készülék bevonatát.
- A hűtőrendszer hűtőközeget és olajat tartalmaz – szívárgás esetén ezek egészségre ártalmasak. Ha szívárgást észlel, csatlakoztassa le a készüléket a tápellátásról, és szellőztesse ki a helyiséget. Ügyeljen arra, hogy ne kerüljön hűtőfolyadék a szemébe vagy a szeme közelébe. Forduljon szervizmérnökhöz vagy szállíttassa el a készüléket.

## Elektromos biztonság

- A hálózati aljzathoz való csatlakozást a helyi előírásoknak megfelelően kell elvégezni.
- A csatlakozónak hozzáférhetőnek KELL lennie a készülék elhelyezését követően.
- Ügyeljen arra, hogy a hűtőszelektény ne szorítsa le az elektromos kábelt.
- Ne lépjen rá a kábelre.
- Ügyeljen arra, hogy a hűtőszelektény mozgatasakor ne károsodjon az elektromos kábel.

### **Károsodott elektromos kábel**

Ha az elektromos kábel károsodott vagy elhasználdott, kapcsolja ki a hűtőszelektényt, és a cserével kapcsolatban kérje hivatalos képviselő segítségét.

## Hűtőgázzal kapcsolatos információ

**FONTOS:** ez a készülék IZOBUTÁN (R600a) hűtőgázzal működik. A készülék mozgatas során el kell kerülni a túlzott ütődést és rázkódást. Ellenkező esetben a készülék károsodhat.

A hűtőközeg-kör károsodása a hűtőgáz lehetséges szivárgása miatt robbanásveszélyes lehet külső szikrák vagy nyílt láng előfordulása esetén.

### **Véletlen szivárgás esetén**

Megfelelő szellőztetés biztosítása mellett hagyja az anyagot elpárologni.

### **A gáz tulajdonságai**

Ez a hűtőgáz rendkívül gyúlékony, így el kell kerülni, hogy forró felületekkel vagy nyílt lánggal érintkezzen. Az R600a gáz nehezebb a levegőnél, így ha kiszabadul, nagy koncentrációban jelentkezik a padló szintjén, ahol a szellőzés a leggyengébb.

### **Elsősegély**

#### **Belélegzés**

Vigye ki az érintett személyt a szennyezett területről egy meleg, jól szellőző helyiségbe.

Ha valaki hosszabb ideig ki van téve a gáznak, fulladás (asphyxia), illetve eszméletvesztés jelentkezhet. Ha szükséges, lélegeztesse a sérültet, a legsúlyosabb esetekben pedig orvosilag felügyelt oxigén-adagolás szükséges.

#### **Bőrrel érintkezés**

Nem valószínű, hogy az alkalmanként bőrrel való érintkezés veszélyes lenne. Ilyen esetben alaposan mossa meg az érintett területet.

A folyadék fröccsenése, illetve az atomizált folyadék fagyási sérüléseket okozhat. Bő vízzel mossa le az érintett területet, majd az égési sérülés kezelésére hívjon orvost.

#### **Szemmel érintkezés**

Bő vízzel ki kell mosni a tágira nyitott szemet, és a lehető leghamarabb szakorvoshoz kell fordulni.

Ha belélegzi az R600a gázt vagy egyéb módon érintkezik azzal, javasoljuk, hogy lépjen kapcsolatba orvosával.

## Környezetvédelem

### **A csomagolás selejtezése**

Új hűtőszelektényt megfelelő csomagolás védte a szállítás során. Az összes felhasznált anyag környezetbarát módon selejtezhető és újrahasznosítható. A csomagolás megfelelő selejtezésével Ön is hozzájárulhat a környezetvédelemhez.

### **Az előregedett hűtőszelektény leselejtezése**



Ez a terméken, illetve annak csomagolásán feltüntetett szimbólum azt jelzi, hogy a terméket nem lehet háztartási hulladékként kezelni. Ehelyett a készüléket a helyi hulladékgyűjtőhelyen/újrahasznosító központban kell leadni.

Az előregedett készülékek rendelkeznek maradványértékkel. A környezetbarát leselejtezési mód segítségével az értékes nyersanyagok kinyerhetők, és újra felhasználhatók.

Ha a készülék elérte élettartama végét, csatlakoztassa le a tápellátásról. Vágja le a tápkábelt, és selejtezze ki a csatlakozóval együtt.

Tegye használhatatlanná az ajtót (a tömitések eltávolításával), vagy távolítsa el teljesen, nehogy véletlenül gyerekek záródhassanak bele játék közben.

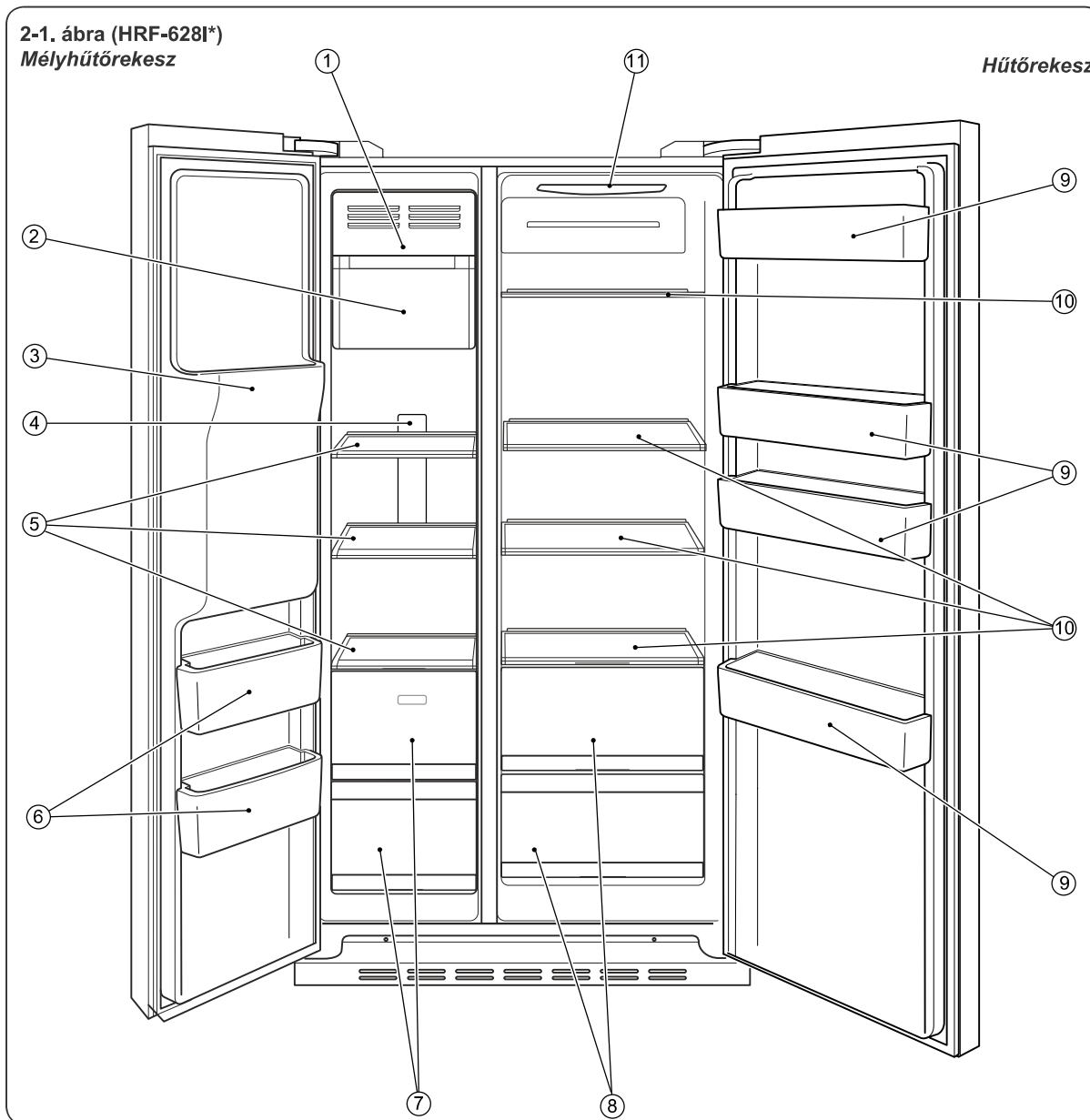
A szigetelőhab tágítására egy gyúlékony, az ózonrétegre nem káros anyagot, ciklo-izopentánt használtak.

A készülék szállításakor ügyeljen arra, hogy ne károsodjon a hűtőfolyadék-kör.

A termék megfelelő selejtezésének biztosításával Ön segít elkerülni a környezetre és az emberi egészségre gyakorolt lehetséges káros hatásokat.

A termék újrahasznosításával kapcsolatos részletesebb információt a helyi önkormányzattól, a háztartási hulladékkezelő szolgáltatótól, illetve a készülék vásárlásának helyszínén kaphat.

## 2. Tudnivalók a hűtőszekrényről

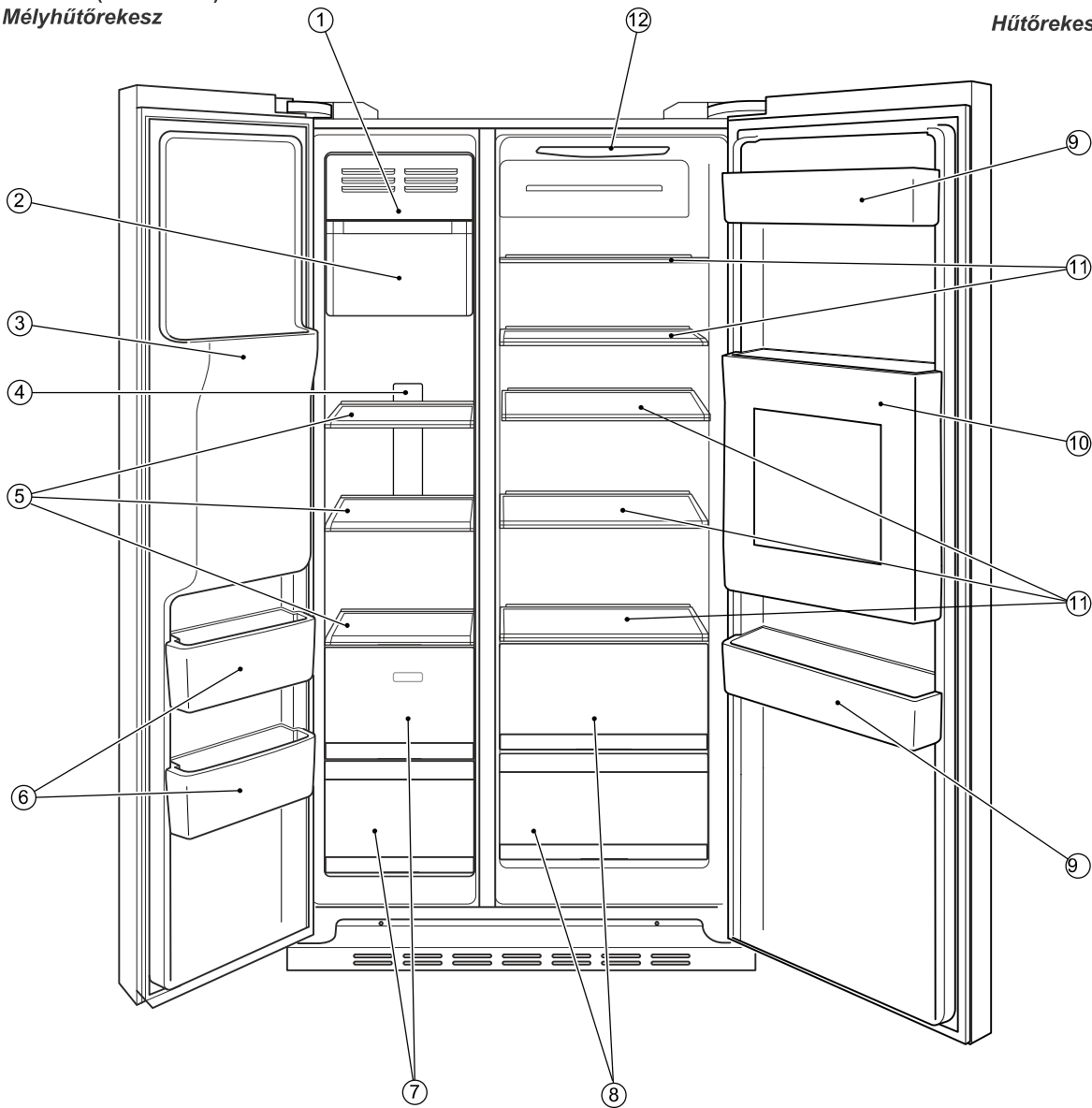


A HRF-628I\* (2-1. ábra) a következő jellemzőkkel rendelkezik:

- |   |   |
|---|---|
| 1. Fagylalttároló polc  | 8. 2 zöldséges rekesz (HRF-628I*6)<br>1 frissentartó és 2 zöldséges rekesz (HRF-630I*7) |
| 2. Jégtartály jégkészítővel (belső tartály)                           | 9. 4 hűtőben használatos ajtótartály  |
| 3. Víz- és jégadagoló   | 10. 4 hűtőben használatos tárolópolec   |
| 4. Mélyhűtő LED-jelzőfénye  | 11. Hűtő LED-jelzőfénye   |
| 5. 3 mélyhűtőben használatos tárolópolec                              | Fluor-klór-szénhidrogén mentes és deresedésmentes                                       |
| 6. 2 mélyhűtőben használatos ajtótartály                              | Super-freeze, super-cool és holiday opciók  |
| 7. 2 fagyasztó rekesz (HRF-628I*6)<br>3 fagyasztó rekesz (HRF-630I*7) | Automatikus hőmérséklet-kijelzés  |

2-2. ábra (HRF-628A\*)  
Mélyhűtőrekesz

Hűtőrekesz



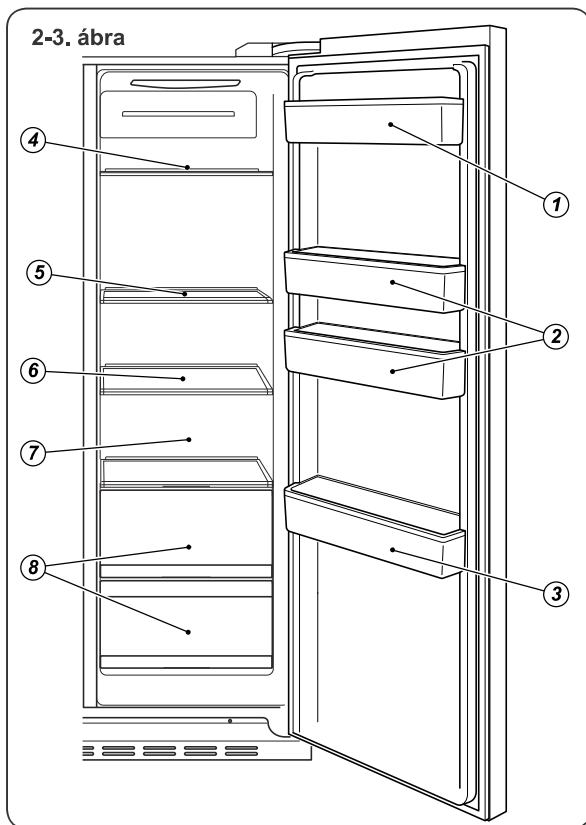
A HRF-628A\* (2-2. ábra) a következő jellemzőkkel rendelkezik:

1. Fagylalttároló polc
2. Jégtartály jégkészítővel (belső tartály)
3. Víz- és jégadagoló
4. Mélyhűtő LED-jelzőfénye
5. 3 mélyhűtőben használatos tárolópolc
6. 2 mélyhűtőben használatos ajtótartály
7. 2 fagyasztó rekesz (HRF-628A\*6)  
3 fagyasztó rekesz (HRF-630A\*7)
8. 2 zöldséges rekesz (HRF-628A\*6)  
1 frissentartó és 2 zöldséges rekesz (HRF-630A\*7)

9. 2 hűtőben használatos ajtótartály
10. Otthoni bár belső burkolata
11. 4 hűtőben használatos tárolópolc
12. Hűtő LED-jelzőfénye

Fluor-klór-szénhidrogén mentes és deresedésmentes  
Super-freeze, super-cool és holiday opciók  
Automatikus hőmérséklet-kijelzés

HU



## Tudnivalók a friss élelmiszer rekeszről

Javasoljuk, hogy hagyjon valamennyi helyet az élelmiszerek között a hideg levegő megfelelő keringéséhez. A hűtőszekrény belsejében biztosított hőmérséklet kissé melegebb a felső részen, illetve hidegebb az alsó részeken.

A gyorsan romló élelmiszereket a készülék alsó részének környékén kell elhelyezni, ahol a leghidegebb a hőmérséklet.

Tárolási javaslatok (2-3. ábra):

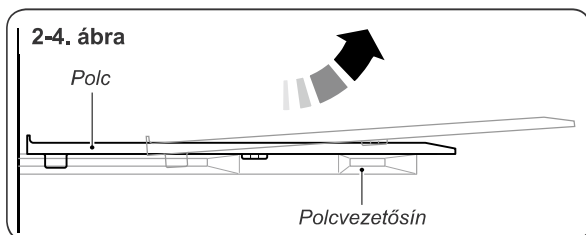
1. Tojás, vaj, sajt stb.
2. Konzervek, ízesítők stb.
3. Italok és bármilyen típusú palackozott élelmiszer.
4. Savanyúságok, italok vagy konzervek.
5. Hús, szárnyas, hal és nyers élelmiszer.
6. Lisztes élelmiszer, konzervek, tejtermékek stb.
7. Főtt/sült húsok, kolbász stb.
8. Gyümölcs, zöldség vagy saláta.

## Polcok

A polcok magassága a tárolási szükségletektől függően módosítható.

A polcok nem fognak véletlenül kicsúszni, amikor élelmiszert vesz ki a készülékből.

**▲ A polc magasságának beállításakor először vegye ki a polcra helyezett összes élelmiszert.**



## Polcok

A polc eltávolításához billentse felfelé az elülső részt, hogy a rögzítőpecek kicsússzanak az oldalsó vezetősínekből (2-4. ábra), majd húzza maga felé a polcot. Továbbra is tartsa billentve a polcot, hogy kicsúszhassanak az ütközőpecek is az oldalsó vezetősínekből.

Visszahelyezéskor ügyeljen arra, hogy a polcot teljesen visszatolja, és az ütközőpecek biztonságosan a helyükön legyenek.

## A világítás

A belső LED-világítás az ajtó kinyitásakor kapcsol be. A világítás teljesítményét nem befolyásolják a készülék egyéb beállításai.

## Tudnivalók a mélyhűtőrekeszről

A mélyhűtőrekesz 2 fiókból, egy fagyalttároló polcból, 3 üvegpolcból és 2 ajtópolcból áll (2-5. ábra).

A hűtőszekrényhez hasonlóan a mélyhűtő bizonyos területei alkalmasabbak adott élelmiszerek tárolásához.

A fagyaltokat és a vízalapú jégkrémeket a fagyalttároló polcon érdemes tárolni a készülék hátoldalához közel, ahol a leghidegebb a hőmérséklet.

A nagyobb méretű/tömegű élelmiszert, például a rostonsütéshez beszerzett egész húsokat jobb a készülék alsó részén lévő fiókokban elhelyezni, míg a kisebb tömegű tételeket a polcokon érdemes tárolni – így elkerülhető a készülék károsodása.

Mindig érdemes meggyőződni arról, hogy a tárolt élelmiszer alkalmas-e a lefagyasztásra, illetve biztonságosan tárolja-e a készülékben.

- ▲ A hűtőhatás biztosításához tartson 10 mm-nél nagyobb távolságot a behelyezett élelmiszer és az érzékelő között.
- ▲ Ha a hűtőszekrény üzemel, a hűtőhatás biztosításához tartsa a legalsó fiókot zárva.

### Polcok

A polc eltávolításához billentse felfelé az elülső részt, hogy a rögzítőpecek kicsússzanak az oldalsó vezetősínekből (2-6. ábra), majd húzza maga felé a polcot. Továbbra is tartsa billentve a polcot, hogy kicsúszhassanak az ütközőpecek is az oldalsó vezetősínekből.

Visszahelyezéskor ügyeljen arra, hogy a polcot teljesen visszatalja, és az ütközőpecek biztonságosan a helyükön legyenek.

### A világítás

A belső LED-világítás az ajtó kinyitásakor kapcsol be. A világítás teljesítményét nem befolyásolják a készülék egyéb beállításai.

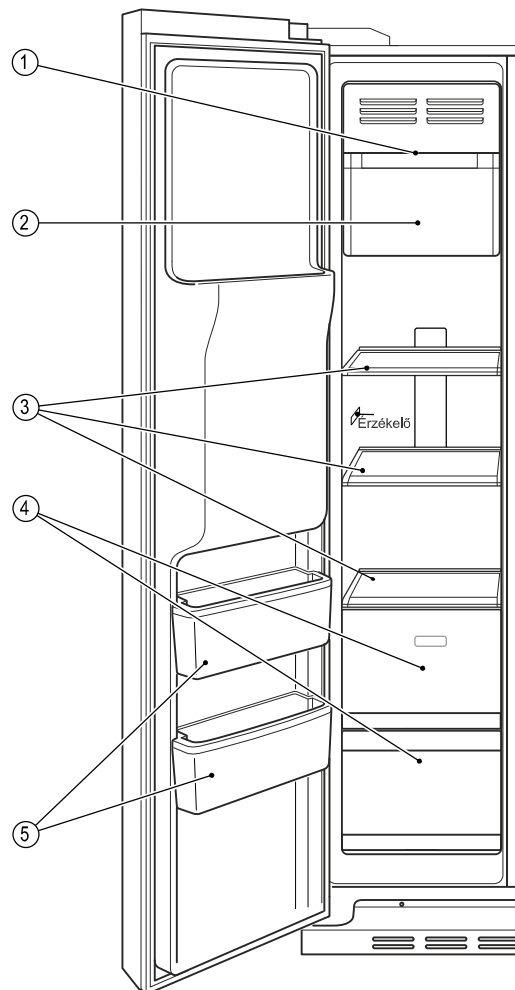
### Élelmiszer kiolvasztása a főzéshez/sütéshez

Ha az élelmiszer részlegesen kiolvad, a lehető leghamarabb el kell fogyasztani, mivel a kiolvasztás befolyásolja a minőséget.

- ▲ Főzés/sütés előtt győződjön meg arról, hogy az élelmiszer teljesen kiolvadt, és már nem tartalmaz jégkristályokat. Ez különösen fontos szárnyas esetén, mivel ez rendkívül káros lehet az egészségre.

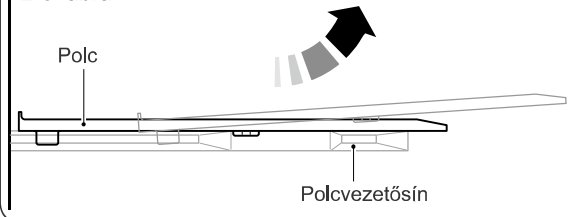
A készételek kiolvasztásakor mindig kövesse a csomagoláson feltüntetett, kiolvasztásra vonatkozó utasításokat – mindig érdemes betartani a gyártó útmutatását, mivel vannak olyan mélyhűtött élelmiszerek, melyeket fagyasztott állapotban kell elkészíteni.

2-5. ábra

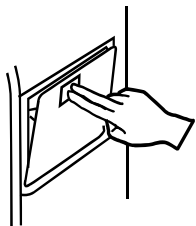


- |                       |                  |
|-----------------------|------------------|
| 1. Fagyalttároló polc | 4. Tárolófiókok  |
| 2. Jégtartály         | 5. Ajtótartályok |
| 3. Tárolópolcok       |                  |

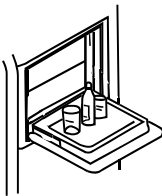
2-6. ábra



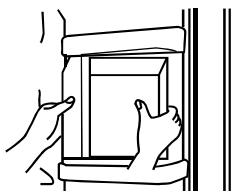
2-7. ábra



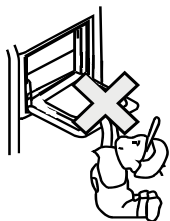
2-8. ábra



2-9. ábra



2-10. ábra



## A jégkészítő/vízagadoló

### Biztonsági utasítások

- A fagyás elkerülése érdekében SOHA ne tegye ki a vízcsöveket 0 °C-nál alacsonyabb hőmérsékleteknek.
- A csövek szivárgását vízzel történő alapos átöblítéssel tesztelje, addig, amíg a víz teljesen normál állapotban folyik át rajta.
- Miután a készülék el lett helyezve a kívánt helyre, győződjön meg arról, hogy a vízcső a hőforrásoktól távol van, és elhelyezkedése megfelelő, nincsenek benne károsodást okozó hajlítások és megtörések.
- Ha a mélyhűtőben a hőmérséklet elérte a -12 °C értéket, megkezdődik a jégtermelés.
- KERÜLJE EL a jégkészítő túlzott használatát. Ha túl gyakran próbálja használni a jégkocka gombot, a rendszer automatikusan leáll. Ez teljesen normális jelenség; egy órát kell várnia mielőtt újra használhatná a funkciót.
- NE használjon kényes vagy törékeny üvegpoharat.
- NE érintse meg a jégkocka-adagoló kimenetét a kezével vagy valamilyen eszközzel, nehogy sérülés vagy károsodás történjen.
- NE adjon hozzá kézzel vizet – ez egy automata vízrendszer. Ha a jégkészítő be van kapcsolva, de a készülék nem csatlakozik vízkimenethez, a jégkészítő nem működik.

### A jégkészítő működése

A jégkészítő kapacitása 1 kg/24 óra (ez az eredmény laboratóriumi teszt eredménye, 32 °C környezeti hőmérséklet esetén). A készülék napi használata során az eltérő környezeti hőmérséklet és víznyomás miatt a jégkészítő kapacitása ettől kissé eltérhet.

A készülék beüzemelését követően elsőként, illetve hosszabb üzemszünet után készített jégkockákat ne tárolja. Ezeket a jégkockákat dobja ki.

Ahhoz, hogy a jégkockatároló a teljes kapacitásáig megteljen, időnként manuálisan el kell igazgatnia a jégkockákat. Előfordulhat, hogy a tárolódobozba esés után néhány jégkocka összetapad – ezeket Önnek szét kell választania a jégkockatároló maximális kihasználásához.

### Otthoni bár

- A bár kinyitásához nyomja meg a rekesz gombját (2-7. ábra). Kinyílik a bárrekesz. Az otthoni bár a készülék ajtajának kinyitása nélkül használható, így energiát takarít meg. Az otthoni bár kinyitásakor bekapcsol a hűtőszekrény világítása.
  - Italokat és élelmiszert helyezhet az otthoni bárba (2-8. ábra).
  - Ne távolítsa el az otthoni bár belső burkolatát (2-9. ábra). A burkolat eltávolítása esetén az otthoni bár nem működik.
  - Tartsa távol a gyermekeket az otthoni bártól (2-10. ábra). Ellenkező esetben a gyerekek megsérülhetnek, és az otthoni bár károsodhat.
- ▲ A lehető leghamarabb zárja be az otthoni bárt, hogy megőrizhesse a hideget a készülék belsejében. Az ajtó nem megfelelő zárásakor aktiválódik a figyelmeztető rendszer.

## A jégkészítő/vízadagoló első használata

⚠ **NE fogyassza el az első (kb.) hét pohár vizet, mivel por és/vagy egyéb szennyeződés lehet a vízcsövekben.**

Így biztosítható a csövek megfelelően tiszta állapota. Ha kétsége van a víz tisztaságával kapcsolatban, folytassa a víz adagolását, amíg a kiadagolt víz teljesen tiszta nem lesz.

## Jégkészítés során hallható zajok

A jégkészítési folyamat zajjal járhat. Előfordulhat, hogy hallja, amikor a jégkockák a tárolórekeszbe esnek. Ez teljesen normális jelenség.

## Jég tárolása hosszabb ideig

A hosszabb ideig tárolt jég opálos színű és furcsa szagú lehet. Javasoljuk, hogy dobja ki az ilyen jeget, majd távolítsa el és tisztítsa meg a jégtároló dobozt. Hagyja a tárolót alaposan megszáradni és lehűlni, mielőtt visszahelyezné a készülékbe, így elkerülheti a jég összetapadását.

## Jégkészítés megakadályozása

Amennyiben hosszabb ideig nem igényel jeget (pl. télen), kikapcsolhatja a vízellátás és a készülék közötti szelepet. Javasoljuk, hogy tisztítsa és alaposan szárítsa meg a jégtároló dobozt, majd helyezze vissza a készülékbe – ezzel elkerülheti a kellemetlen szagok képződését.

## A jégkockatároló fiók beüzemelése és eltávolítása

A jégkockatároló doboz eltávolításához emelje meg a fiók közepét, majd húzza kifelé az egység kioldásához (2-11. ábra).

Megjegyzés: előfordulhat, hogy vízpára csapódott ki, megfagyva és a helyére tapasztva a jégkockatárolót.

Ha a jégkockatároló nem illeszkedik könnyedén a helyére, távolítsa el, majd fordítsa el a könyökszerkezetet 90°-kal az óramutató járásával megegyező irányba (2-12. ábra). Helyezze vissza a jégkockatárolót a helyére, ügyelve arra, hogy a tároló pecke illeszkedjen a polc nyílásába.

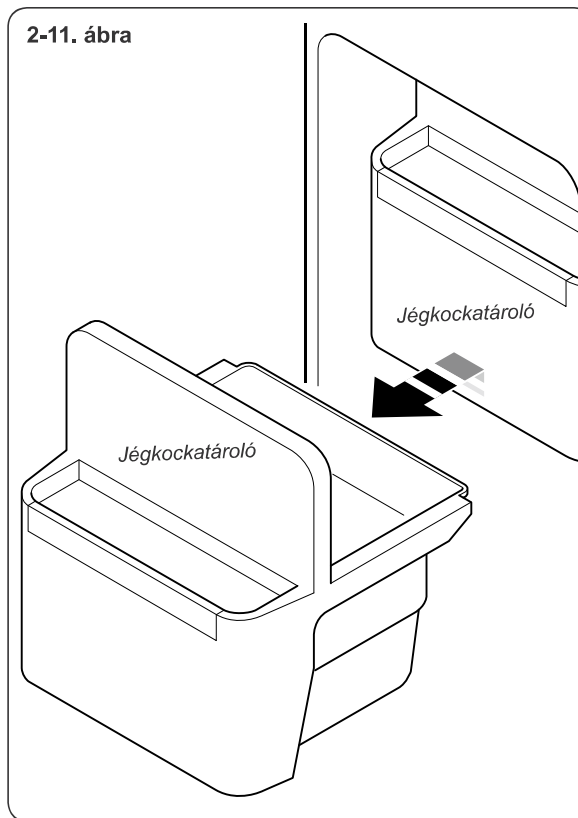
## Ha a jégkészítő nem működik megfelelően

A jégkockatároló kapacitása megegyezik a készülék által egy nap alatt elkészített jégkocka mennyiségével. Néha előfordulhat, hogy néhány jégkocka a tárolóban marad. A beragadt jég a jégkockakészítő nem megfelelő üzemelését eredményezi. Ezen probléma elkerüléséhez távolítsa el a jégkockatárolót, rendezze el a jégkockákat, és távolítsa el a nem szétválaszthatókat.

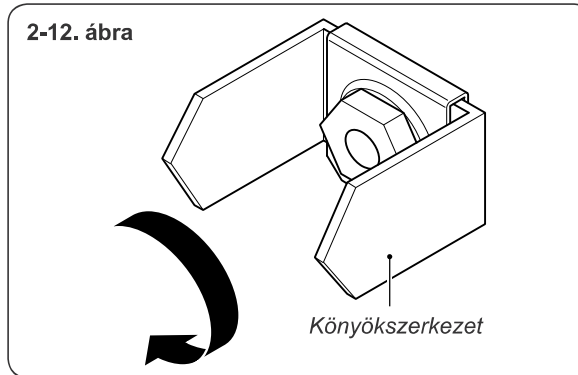
⚠ Mindig tartsa tisztán és akadálymentesen a jégkocka-adagoló kimenetét.

⚠ Ha kiveszi a jégkockatárolót, további tárolóhelyet nyerhet az élelmiszer tárolásához. Üzemelje be a mellékelt üvegtartót a mélyhűtő ajtaján található bemeneti nyílás fölé a könnyű élelmiszer-tároláshoz (2-13. ábra).

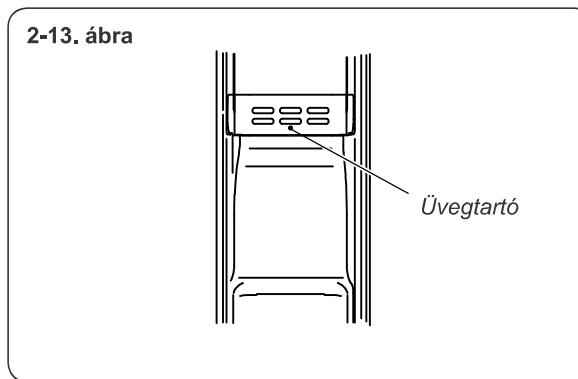
2-11. ábra



2-12. ábra

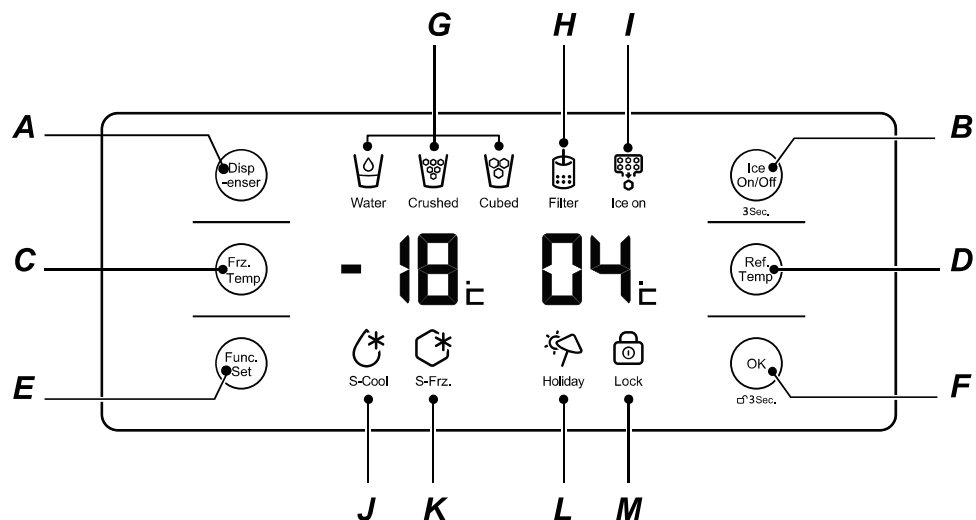


2-13. ábra



## A mélyhűtővel rendelkező hűtőszekrény üzemeltetése

2-14. ábra



A – Adagolóválasztó gomb

F – Funkciójávahagyó gomb

J – Gyorsműtés ikon

B – Jégkészítő be-/kikapcsológombja

G – adagoló állapotikonja

K – Gyorsfagyasztás ikon

C – Mélyhűtő hőmérséklete gomb

H – Szűrőcsere állapotikonja

L – Nyaralás mód ikon

D – Hűtőszekrény hőmérséklete gomb

I – Jégkészítő bekapcsolva állapotikon

M – Lezárás ikon

E – Funkcióválasztó gomb

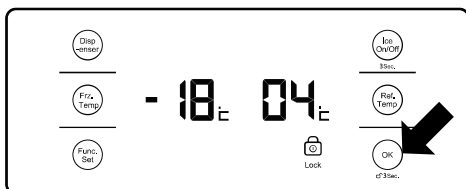
A víz- és jégadagoló digitális kijelzőjét és funkciógombjait lásd a 2-14. ábrán.

### ▲ VIGYÁZAT!

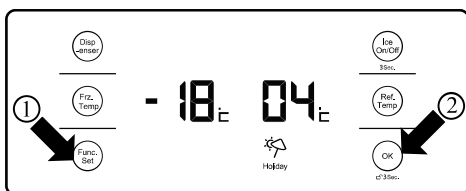
A készülék hőmérséklet-beállításai gyorsfagyasztás, illetve lezárás módban nem módosíthatók.

Ha megpróbálja módosítani a beállításokat ezekben a módokban, villogni kezd a mélyhűtő hőmérséklet-kijelző ikonja melletti speciális funkcióikon, illetve sípoló hangjelzés hallatszik jelezve, hogy ekkor nem módosítható a hőmérséklet-beállítás.

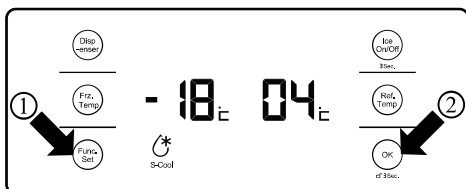
2-15. ábra



2-16. ábra



2-17. ábra



### Lezárás mód

Ez a funkció lehetővé teszi a hőmérséklet- és funkció-beállítások lezárását. Lezárás esetén a lezárás ikon villog, és sípoló hangjelzés hallható.

### Lezárás

Nyomja meg, és 3 másodpercig tartsa lenyomva az „OK” gombot (2-15. ábra). A LOCK ikon bekapcsol, és a hűtőszekrény lezár.

### Kioldás

Nyomja meg, és 3 másodpercig tartsa lenyomva az „OK” gombot. A LOCK ikon kikapcsol, és a hűtőszekrény kiold.

### Nyaralás mód

▲ VIGYÁZAT! A nyaralás mód kiválasztása előtt vegye ki az összes élelmiszert és italt a mélyhűtőrekeszből, ugyanis előfordulhat, hogy rövid időn belül már nem lesz biztonságosan fogyasztható annak tartalma.

Ez a funkció lehetővé teszi a hűtő rész használaton kívül helyezését, míg a mélyhűtő rész normál módon tovább üzemel. Ebben a módban a hűtő hőmérséklete automatikusan 17 °C lesz.

### Bekapcsolás

1. Nyomja meg a „FUNC.SET” gombot, amíg ki nem választódik a nyaralás mód (2-16. ábra).
2. Ekkor nyomja meg az „OK” gombot: a HOLIDAY mód ikonja bekapcsol.

### Kikapcsolás

1. Nyomja meg a „FUNC.SET” gombot, amíg ki nem választódik a nyaralás mód.
2. Ekkor nyomja meg az „OK” gombot: a HOLIDAY mód ikonja kikapcsol.

### Gyorshűtés mód

Ez a funkció az élelmiszer gyors lehűtését teszi lehetővé, így az a lehető legtovább friss marad. Ezen funkció használatával bármikor nagyobb mennyiségű élelmiszer helyezhető a hűtőrekeszbe.

A beállított hőmérsékletérték elérése után a gyorsűtés mód kikapcsol.

### Bekapcsolás

1. Nyomja meg a „FUNC.SET” gombot, amíg ki nem választódik a gyorsűtés mód (2-17. ábra).
2. Ekkor nyomja meg az „OK” gombot: az S-COOL mód ikonja bekapcsol.

### Kikapcsolás

1. Nyomja meg a „FUNC.SET” gombot, amíg ki nem választódik a gyorsűtés mód.
2. Ekkor nyomja meg az „OK” gombot: az S-COOL mód ikonja kikapcsol. A gyorsűtés mód ekkor ki van kapcsolva.

## Gyorsfagyasztás mód

Ezt a funkciót arra tervezték, hogy az élelmiszert a lehető legrövidebb idő alatt lehessen teljesen lefagyasztani az élelmiszerben lévő tápanyagok megőrzéséhez.

A beállított hőmérsékletérték elérése után a gyorsfagyasztás mód automatikusan kikapcsol.

Ezen funkció használatával bármikor nagyobb mennyiségű élelmiszer helyezhető a mélyhűtőrekeszbe. Javasoljuk, hogy 12 órával előtte kapcsolja be a gyorsfagyasztás módot, mivel így már az élelmiszer behelyezése előtt csökken a mélyhűtőrekesz hőmérséklete.

### Bekapcsolás

1. Nyomja meg a „FUNC.SET” gombot, amíg ki nem választódik a gyorsfagyasztás mód (2-18. ábra).
2. Ekkor nyomja meg az „OK” gombot: az S-Frz. mód ikonja bekapcsol.

### Kikapcsolás

1. Nyomja meg a „FUNC.SET” gombot, amíg ki nem választódik a gyorsfagyasztás mód.
2. Ekkor nyomja meg az „OK” gombot: az S-Frz. mód ikonja kikapcsol. A gyorsfagyasztás mód ekkor ki van kapcsolva.

## A friss élelmiszer rekesz hőmérsékletének beállítása

Nyomja meg a „Ref. Temp” gombot (2-19. ábra). A hűtőszekrény hőmérséklet-kijelzője villogni kezd jelezve, hogy a hűtőszekrény most hőmérséklet-beállítási módban van.

Nyomja meg a „Ref. Temp” gombot a hűtőszekrény hőmérséklet-tartományában való navigáláshoz 09 °C-tól 01 °C-ig.

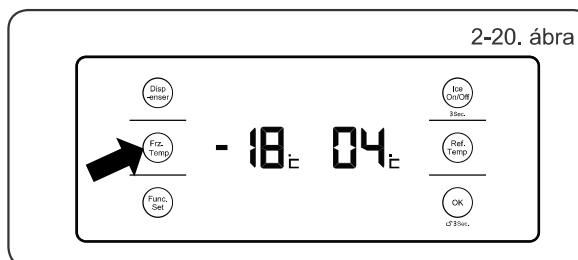
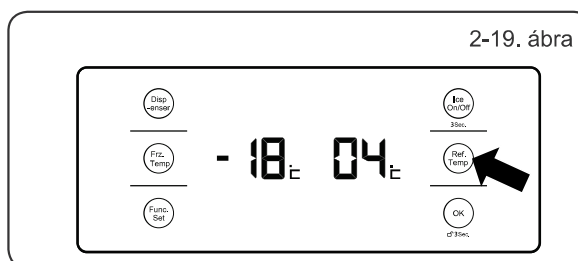
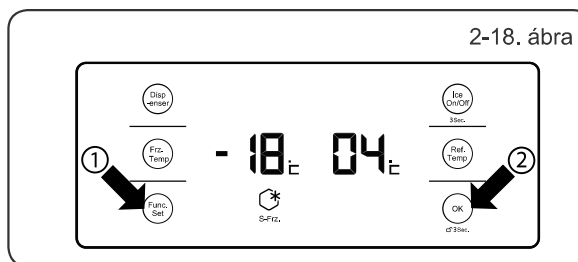
Amennyiben 5 másodpercen belül nem hajt végre műveletet, a villogás leáll, és a hőmérsékletet beállítja a készülék. A hőmérséklet változatlan marad akkor is, ha a villogás során valamelyik másik gombot megnyomja.

## A mélyhűtő hőmérsékletének beállítása

Nyomja meg a „Frz. Temp” gombot (2-20. ábra). A mélyhűtő hőmérséklet-kijelzője villogni kezd jelezve, hogy a mélyhűtő részleg most hőmérséklet-beállítási módban van.

Nyomja meg a „Frz. Temp” gombot a mélyhűtő hőmérséklet-tartományában való navigáláshoz -14 °C-tól -24 °C-ig.

Amennyiben 5 másodpercen belül nem hajt végre műveletet, a villogás leáll, és a hőmérsékletet beállítja a készülék. A hőmérséklet változatlan marad akkor is, ha a villogás során valamelyik másik gombot megnyomja.



## A víz- és jégadagoló üzemeltetése

Ez a mélyhűtővel rendelkező hűtőszekrény három opciót kínál: hideg víz, darabos jég és jégkocka.

A kiömlött víz elkerülésére MINDIG győződjön meg arról, hogy az adagolóhoz tette a poharát, mielőtt kiválasztaná a kívánt opciót. Javasoljuk, hogy legalább 80 mm széles poharat használjon, ha jeget szeretne az adagolóból.

### Jégkészítő be-/kikapcsolása

A mélyhűtővel rendelkező hűtőszekrény első bekapcsolásakor a jégkészítő alapértelmezés szerint kikapcsol.

### Bekapcsolás

- Nyomja meg, és tartsa lenyomva 3 másodpercig az „ICE ON/OFF” gombot. Bekapcsol a jégkészítő ikon, és a jégkészítő működni kezd.

### Kikapcsolás

- Nyomja meg, és tartsa lenyomva 3 másodpercig az „ICE ON/OFF” gombot. Kikapcsol a jégkészítő ikon, és a jégkészítő leáll.

**FONTOS:** ügyeljen arra, hogy a jégkészítő kikapcsolása előtt kiürítse a jégkészítő tartályát, mivel a jég vízzé fog felolvadni.

### Hidegvíz-adagolás

1. Tartsa a poharat az adagolóhoz.
2. Az adagolóválasztó gomb megnyomásával válassza ki a hideg víz opciót. Világítani kezd a WATER ikon.
3. Kissé nyomja a poharat a karos kapcsolóhoz, így a készülék hideg vizet adagol a pohárba.

### Darabos jég adagolása

1. Tartsa a poharat az adagolóhoz.
2. Az adagolóválasztó gomb megnyomásával válassza ki a darabos jég opciót. Világítani kezd a CRUSHED ikon.
3. Kissé nyomja a poharat a karos kapcsolóhoz, így a készülék darabos jeget adagol a pohárba.

### Jégkocka adagolása

1. Tartsa a poharat az adagolóhoz.
2. Az adagolóválasztó gomb megnyomásával válassza ki a jégkocka opciót. Világítani kezd a CUBED ikon.
3. Kissé nyomja a poharat a karos kapcsolóhoz, így a készülék jégkockát adagol a pohárba.

### A vízsűrő cseréje

Ha a vízsűrő cseréjét jelző állapotikon bekapcsol, a vízsűrőt cserélni kell (ez kb. 6 havonta esedékes). A csere végeztével nyomja meg, és 3 másodpercig tartsa lenyomva a Func. Set gombot, így eltűnik a vízsűrő cseréjét jelző állapotikon.

## Biztonság

- ▲ NE használjon túl mély, keskeny, törékeny vagy kényes poharakat.
- A víz kiömlésének, a jég leesésének, illetve a jégkocka-adagoló eltömődésének elkerülésére tartsa a poharat a lehető legközelebb az adagolóhoz.
- A jég, illetve víz adagolása után öt másodperccel az adagoló felhajtható fedele „futt” jellegű hang kíséretében lezárul. Miután megtöltötte a poharát, és felengedte a karos kapcsolót, tartsa a poharát még 2–3 másodpercig (jég esetén), illetve 1–2 másodpercig (víz esetén) az adagolóhoz, mivel az még további vizet vagy jeget adagolhat.
- Rendszeresen tisztítsa meg az adagolót.
- A vízminőség fenntartása érdekében a szűrőt időről-időre cserélni kell. Javasoljuk, hogy 6 havonta cserélje a vízsűrőt. Ha azonban a vízminőség láthatóan vagy ízelhetően romlik, a szűrőt hamarabb ki kell cserélni.
- Ha a darabos jég volt a legutóbb kiválasztott opció, előfordulhat, hogy a jégkocka helyett darabos jeget adagol a készülék.
- ▲ SOHA ne helyezzen konzerv italokat vagy ételeket az adagolóba, mivel ezek károsítják a jégdaraboló mechanizmust.
- ▲ NE érintse meg az adagolót és ne távolítsa el a jégkészítő fedelét a véletlen sérülések, illetve a készülék károsodásának elkerülésére.
- A kezdeti beüzemelés, illetve hosszabb ideig tartó üzemszünet után az első adag vizet (kb. hét pohárnyi) és jégkockát (kb. 20 darab) nem szabad elfogyasztani. Ezt a mennyiséget dobja ki.
- Ne helyezzen olyan jégkockákat a tárolófiókba, amelyeket nem a jégkészítő készített, nehogy károsodjon a mechanizmus.
- A nem elégséges vízellátás kisebb jégkockákat eredményezhet. A túlzott vízellátás miatt nagyobb jégkockák keletkezhetnek, melyek összetapadva szivárgást okoznak és eltömítik az adagolót. Be kell állítania a csapot vagy szervizmérnökhöz kell fordulnia.

## Automatikus leolvasztás

Nem szükséges leolvasztani a hűtőszekrényt, mivel ez a készülék automatikus leolvasztás funkcióval rendelkezik.

- ▲ NE használjon a gyártó által javasoltaktól eltérő mechanikus eszközöket a leolvasztási folyamat felgyorsításához.

## Riasztás funkció

Ha hosszabb ideig nyitva tartja, illetve nem megfelelően csukja be valamelyik ajtót, a mélyhűtővel rendelkező hűtőszekrény rendszeres időközönként sípolással emlékezteti Önt az ajtó megfelelő becsukására.

## Kijelző kikapcsolása

30 másodperc elteltével a digitális kijelző kikapcsol a mélyhűtővel rendelkező hűtőszekrény ismételt használatáig.

### 3. Élelmiszer-tárolási tippek

---

#### Friss élelmiszerre vonatkozó tárolási tippek

- Tartsa a hűtőszekrény hőmérsékletét 5 °C alatt.
- „Minőségét megőrzi” és „Fogyaszthatósági idő” dátumok. A „Fogyaszthatósági idő” dátummal megjelölt élelmiszer elég gyorsan romlandó. Ezen dátum lejártával egészségre ártalmas lehet az élelmiszer elfogyasztása. A „Minőségét megőrzi” dátummal rendelkező élelmiszer hosszabb ideig eltartható. A dátum lejártával továbbra is biztonságosan fogyasztható, ám előfordulhat, hogy nem a legjobb minőségű.
- Ügyeljen arra, hogy a már elkészített és hűtést igénylő élelmiszer szobahőmérsékletű legyen a mélyhűtőfunkcióval ellátott hűtőszekrénybe helyezés előtt. Ügyeljen arra, hogy ezeket az élelmiszereket megfelelő tartályokban tárolja.
- A hűtőszekrényben tárolt élelmiszert tárolás előtt meg kell mosni és szárítani.
- Némely élelmiszernél a legjobb megoldás az, ha a gyártó eredeti csomagolásában hagyja a hűtőszekrénybe helyezéskor. Ha kicsomagolja, ajánlatos újabb csomagolással ellátni az élelmiszert, nehogy a benne lévő nedvesség elpárologjon. Becsomagolás esetén némelyik gyümölcs és zöldségféle frissebb marad, és az élelmiszerek illatai nem keverednek.
- Az élelmiszer felcímkézett zacskókban vagy tartályokban tárolható.
- A naponta fogyasztott élelmiszereket érdemes a polc elülső részén tárolni.
- Ügyeljen az élelmiszer szisztematikus tárolására (nyers húst a nyers hússal, tejterméket a tejtermékkel) az ízek keveredése, illetve az átszennyeződés megakadályozása érdekében. A nyers húsokat a hűtőszekrény legalsó részén ajánlatos tárolni, nehogy véletlenül nyers élelmiszerre csöpögjön a húslé. Egyéb élelmiszereket a hús felett érdemes tárolni.
- Ha a friss élelmiszer rekeszben tárol élelmiszereket, ügyeljen arra, hogy elegendő hely legyen közöttük a légkeringés biztosítására. Ez segít fenntartani az élelmiszer eltarthatóságát.
- Az élelmiszerek hűtőszekrényben való tárolásakor ügyeljen arra, nehogy ezek túl közel kerüljenek a készülék hátsó falához, mivel így fennáll a fagyás kockázata.
- Javasoljuk, hogy retek, illetve egyéb gyökérzöldségek esetén vágja le a leveleket. Ennek köszönhetően a levelek nem szívják fel a tápanyagokat, hanem azok a gyökérben maradnak.
- Helyezze a fagyasztott élelmiszereket a friss élelmiszer rekeszbe a kiolvasztáshoz. A hűtőszekrény alacsony hőmérséklete csökkenti a baktériumok elszaporodását, és növeli az élelmiszer eltarthatóságát.
- Néhány élelmiszert, mint például a hagymát, fokhagymát, banánt és gyökérzöldségeket érdemesebb a hűtőszekrény helyett szobahőmérsékleten tárolni.
- Az elkészített dinnyét, ananászt és banánt közvetlenül be lehet tenni a mélyhűtőbe a hosszabb ideig való tároláshoz.
- A friss élelmiszer megfelelő becsomagolásával, a megfelelő hőmérséklet használatával, valamint az élelmiszerhigiénia betartásával növelhető a készülékben tárolt friss élelmiszer minősége.
- Ha műanyag zacskót, alumíniumfóliát, illetve egyéb élelmiszer-csomagolót használ az előre nem becsomagolt friss élelmiszer lefedésére, elkerülheti az ízek keveredését, illetve az átszennyeződést.
- Mielőtt nagyobb kiszerezésű (multi-pack) termékeket (pl. joghurtot) tárolna, távolítsa el a felesleges csomagolóanyagot.
- ▲ SOHA ne tároljon gyúlékony, illékony, illetve robbanékony anyagot a készülékben.
- A magas alkoholtartalmú italokat függőlegesen, szorosan lezárt üvegben szabad tárolni,
- A kényes élelmiszert a készülék leghidegebb részén kell tárolni.
- Próbálja nem túl gyakran nyitogatni a készülék ajtaját.
- Állítsa be a termosztátot, ügyelve arra, hogy az élelmiszer megfelelően hideg maradjon; próbálja elkerülni a fagyasztást a hűtőszekrényben. A termosztát használatával könnyebben megállapíthatja, mennyire hűt a készülék. Helyezze egy pohár vízbe, és hagyja a készülékben néhány órán keresztül, hogy megbízható értéket kapjon.
- Egyes élelmiszerek természetes olajukat és savakat (pl. citromsavat) tartalmaznak, melyek kiömlés esetén károsíthatják a műanyagokat – ügyeljen arra, hogy az ilyen élelmiszer megfelelő tartályban, elkülönítve legyen.
- A hűtőszekrényben észlelhető kellemetlen szagok azt jelzik, hogy valami kiömlött, így a készülék tisztítást igényel. Meleg vízzel és szódabikarbónával megtisztítható a készülék belseje, és eltávolítható a legtöbb kiömlött anyag (lásd a „Tisztítás és karbantartás” című részt).
- Ne feledje kivenni a romlandó élelmiszert a készülékből, mielőtt hosszabb nyaralásra indulna.

## Élelmiszer lefagyasztására vonatkozó tippek

- A friss élelmiszer tárolásához hasonlóan a megfelelő csomagolás, hőmérséklet és élelmiszerhigiénia betartásával növelhető a lefagyasztani kívánt élelmiszer minősége.
- Ne helyezzen meleg élelmiszert a mélyhűtőbe. Először hagyja szobahőmérsékletre hűlni.
- Győződjön meg arról, hogy az összes lefagyasztani kívánt élelmiszer kiváló minőségű és lefagyasztásra alkalmas.
- Az élelmiszer tárolásához szagtalan és légmentesen záró csomagolóanyagot használjon (például műanyag zacskókat), így többféle élelmiszert tárolhat egy helyen anélkül, hogy ez befolyásolná a minőséget. Ügyeljen arra, hogy légmentesen záró csomagolást válasszon. A szivárgó csomagolás kiszárítja a termékeket, így azok értékes vitaminokat veszítenek.
- Tartsa szárazon a csomagolás felületét, így a csomagok nem fognak összefagyni.
- Jelölje meg a csomagokon a tartalmat és a tárolás kezdetének dátumát.
- Az élelmiszert gyorsan kell lefagyasztani, így a legjobb megoldás az, ha lehetőség szerint a lehető leghűvösebb állapotú, kisebb adagokat fagyaszt le. Az egyes adagokhoz javasolt maximális tömeg 2,5 kg.
- Tartsa távol a friss élelmiszert a már fagyasztott állapotú élelmiszertől. Ha naponta kell friss élelmiszert lefagyasztania, ügyeljen arra, hogy kis adagokban tegye, ennek elkerülésére.
- Ne lépje túl a fagyasztásra egyszerre behelyezhető maximális adagot, mely ennél a készüléknél 10 kg/24 óra (a részletes adatokat lásd az adatszívőkén).
- Jegyezze fel az eltarthatósági dátumot és az élelmiszer nevét a csomagolás külső részére, így biztos lehet benne, hogy milyen típusú élelmiszert tartalmaz a csomag, illetve meddig fogyasztható el biztonságosan.
- Szükség szerint a kiolvasztáshoz vegye ki az élelmiszert a mélyhűtőből. A kiolvasztott élelmiszer nem fagyasztható le ismét, kivéve ha megfőzték/ megsütötték.
- Ne helyezzen be egyszerre túl sok friss élelmiszert. Ez ugyanis meghaladhatja a mélyhűtő hűtési kapacitását (lásd a „Műszaki jellemzők” című részt).
- A kereskedelmi forgalomban kapható gyorsfagyasztott élelmiszer esetén a következő útmutatás szerint járjon el:
  - Mindig kövesse a gyártó útmutatását az élelmiszer eltarthatósági idejét illetően. Soha ne lépje túl a feltüntetett tárolási időket!
  - Próbálja a lehető legrövidebb időn belül elfogyasztani a megvásárolt élelmiszert a minőség megőrzéséhez.
  - Olyan fagyasztott élelmiszert vásároljon, amelyet -18 °C vagy ennél alacsonyabb hőmérsékleten tároltak.
  - Ne vásároljon olyan élelmiszert, melynek csomagolásán jég vagy dér észlelhető. Ez ugyanis azt jelzi, hogy a termékeket már részlegesen kiolvaszthatták, majd újrafagyasztották; az ilyen hőmérséklet-ingadozás befolyásolja az élelmiszer minőségét.
  - Hosszabb áramszünet esetén, illetve ha a hűtőszekrény/mélyhűtő meghibásodik, és több mint 5 órán keresztül nem üzemel, előfordulhat, hogy ki kell vennie a mélyhűtőből az élelmiszert, és át kell helyeznie egy másik üzemelő mélyhűtőbe vagy egy hűvös, tiszta helyre (pl. a garázsba vagy a ház külsőbb területére) az áramellátás helyreállításáig, illetve a készülék javításáig. A nem kívánt hőmérséklet-emelkedés elkerülése érdekében hűtődobozban, illetve több réteg szigetelőanyagba, pl. újságpapírba csomagolva kell tárolnia az élelmiszert a hőmérséklet fenntartásához. Fontos, hogy a kiolvasztott élelmiszert az egészségügyi kockázatok elkerülésére a lehető leghamarabb el kell fogyasztani, illetve el kell készíteni és újra lefagyasztani (ahol ez alkalmazható).

## 4. Beüzemelés

### A készülék elhelyezése

#### A megfelelő helyszín kiválasztása

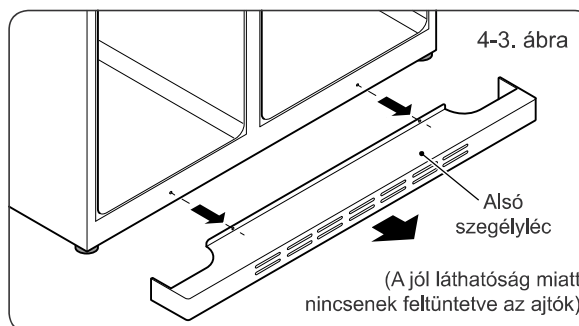
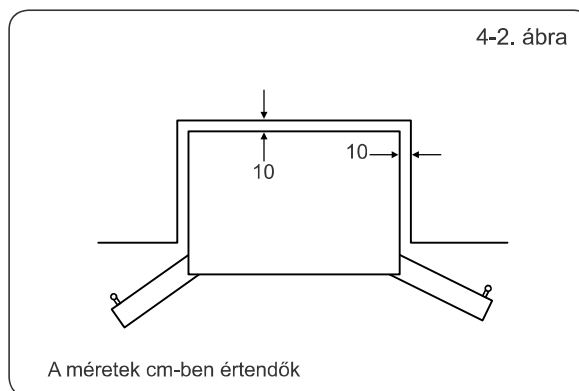
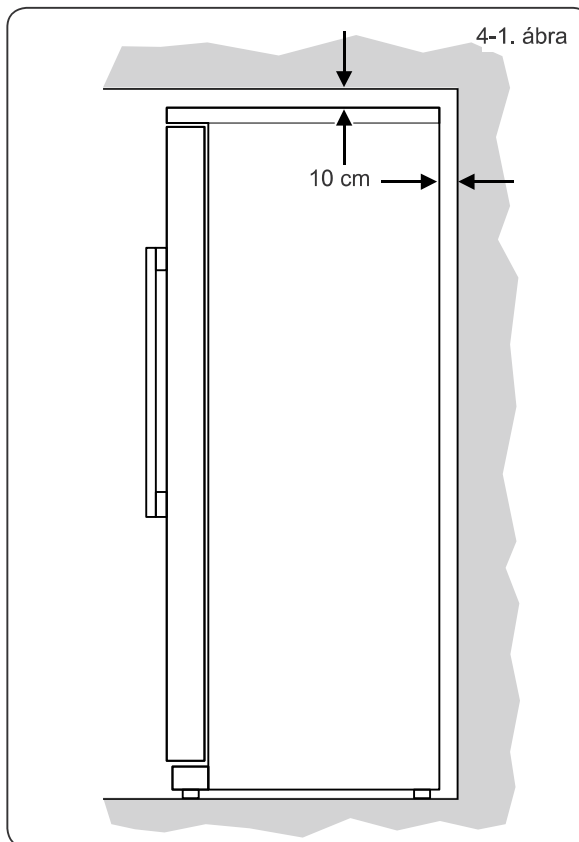
Ezt a készüléket száraz, jól szellőző helyiségben kell beüzemelni. A megfelelő szellőzés biztosítása érdekében ügyelni kell arra, hogy a hűtőszekrény legalább 10 cm távolságra legyen a konyhai bútorzat oldalaitól (4-1. ábra). A készülék felett elhelyezett készülékek és a hűtőszekrény között legalább 10 cm helyet kell hagyni a megfelelő szellőzés biztosításához.

Ha a hűtőszekrényt az egyik sarokhoz közel kívánják elhelyezni, elegendő helyet kell hagyni az ajtók kinyitásához és a polcok eltávolításához (4-2. ábra).

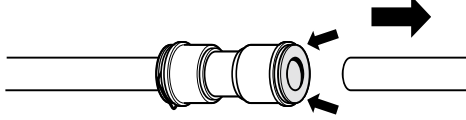
Ezt a készüléket legalább 100 mm távolságra kell elhelyezni elektromos vagy gáztűzhelytől, illetve 300 mm távolságra szén- vagy olajjal üzemelő tűzhelytől. Ha ez nem lehetséges, ügyeljen a megfelelő szigetelés alkalmazására.

Ne tegye ki a készüléket közvetlen napfénynek, illetve sugárzó hő hatásának (mint pl. radiátor, fűtőtest vagy tűzhely).

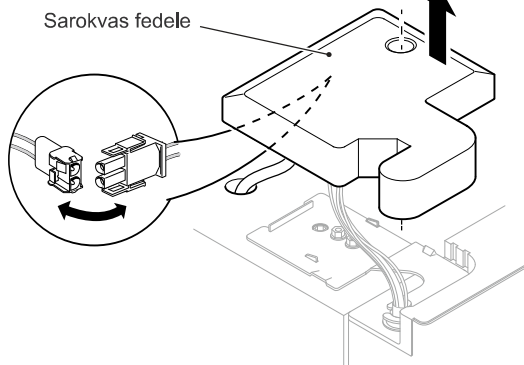
Ha a készüléket hideg környezetben helyezik el (például fészerben, melléképületben vagy garázsban), ez befolyásolja a teljesítményét. Előfordulhat, hogy a készülék teljesítménye nem állandó, így az élelmiszer károsodhat. Állandó, legalább 10 °C-os környezeti hőmérséklet javasolt.



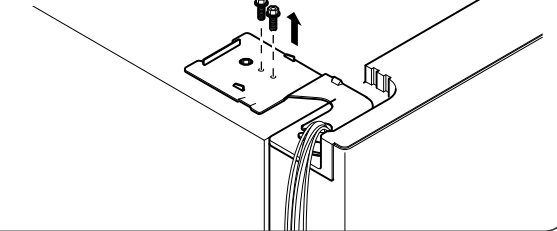
4-4. ábra



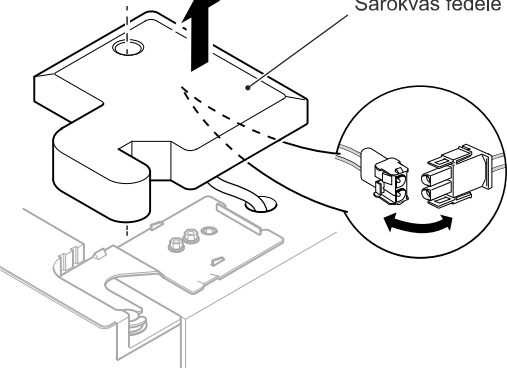
4-5. ábra



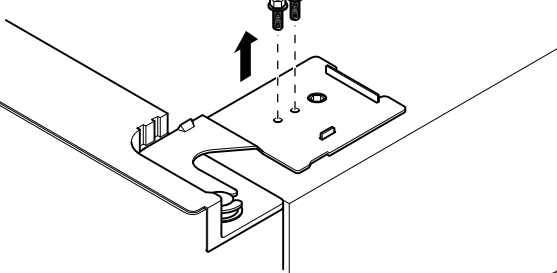
4-6. ábra



4-7. ábra



4-8. ábra



## Az ajtók eltávolítása/beüzemelése

- ▲ Ha el kell távolítani a hűtőszekrény ajtajait, kövesse az ajtók eltávolítására, illetve beüzemelésére vonatkozó, alábbi utasításokat.
- ▲ Javasoljuk, hogy biztonsága érdekében legalább két ember segítségével végezze el az alábbi feladatot a személyi sérülés, a termék károsodása, illetve a tulajdonveszteség elkerülésére.

Csavarja ki az alsó szegélylécet rögzítő 2 csavart, és távolítsa el azt (4-3. ábra).

Oldja ki a vízcsatlakozót: nyomja meg, és tartsa lenyomva a gyűrűt az ábrán látható módon (4-4. ábra), és távolítsa el a vízcsövet.

Távolítsa el a fejkivezetést.

## A mélyhűtő ajtaja

1. Csavarja ki a sarokvas fedelének csavarját, és távolítsa el a fedelet (4-5. ábra). Csatlakoztassa le az összes vezetéket, kivéve a földelést.
2. Csavarja ki a felső sarokvasat rögzítő csavarokat, és távolítsa el a sarokvasat (4-6. ábra).
3. Emelje meg a mélyhűtőrekesz ajtaját az eltávolításhoz. Ezután emelje meg az ajtót eléggé ahhoz, hogy teljesen kihúzhassa a vízcsövet az aljából.

## A hűtőszekrény ajtaja

1. Csavarja ki a sarokvas fedelének csavarjait, és távolítsa el a fedelet (4-7. ábra). Csatlakoztassa le az összes vezetéket, kivéve a földelést.
2. Csavarja ki a felső sarokvasat rögzítő csavarokat, és távolítsa el a sarokvasat (4-8. ábra).
3. Emelje meg a hűtőrekesz ajtaját az eltávolításhoz.

## Az ajtó visszaszerelése

Az ajtót a leszerelés lépéseinek fordított sorrendben való végrehajtásával szerelheti vissza.

## A mélyhűtővel rendelkező hűtőszekrény szintezése és az ajtók beállítása

Ügyeljen arra, hogy a készülék stabil padlózaton álljon. Ha talapzatra helyezik a hűtőszekrényt, lapos, erős, tűzálló anyagot kell használni.

Ez a készülék elülső állítható lábakkal rendelkezik, melyek lehetővé teszik a szintezést.

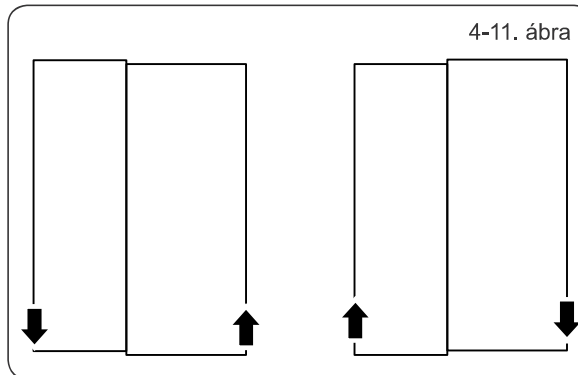
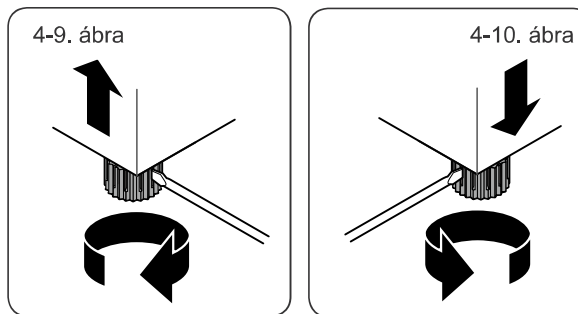
Helyezzen be egy megfelelő, lapos csavarhúzózt az állítható lábak nyílásaiba. A láb megemeléséhez fordítsa a csavarhúzózt az óramutató járásával megegyező irányba (4-9. ábra), illetve az alacsonyabbra állításhoz az óramutató járásával ellentétes irányba (4-10. ábra).

## Az ajtók szintezése

Előfordulhat, hogy az ajtókat be kell állítani, mielőtt csatlakoztatná a mélyhűtővel rendelkező hűtőszekrényt a tápellátáshoz. Ezt a szintezőlábak beállításával lehet elvégezni (4-9. és 4-10. ábra).

A bal oldali ajtó megemeléséhez fordítsa el a bal oldali lábat az óramutató járásával megegyező irányba, amíg az ajtó szintbe nem kerül (4-11. ábra).

A jobb oldali ajtó megemeléséhez fordítsa el a jobb oldali lábat az óramutató járásával ellenkező irányba, amíg az ajtó szintbe nem kerül.



## A fogantyúk felszerelése

Az ajtó fogantyút felszerelése a tartó fülekre melyek már az ajtóra vannak illesztve (Fig.4-12)

Használja a csomagban található imbusz kulcsot.

1. Helyezze az ajtófogantyút pontosan a tartó fülekre.
2. Használj az imbusz kulcsot a csavar megszorításához, hogy ezzel rögzítse a fogantyút az ajtón.

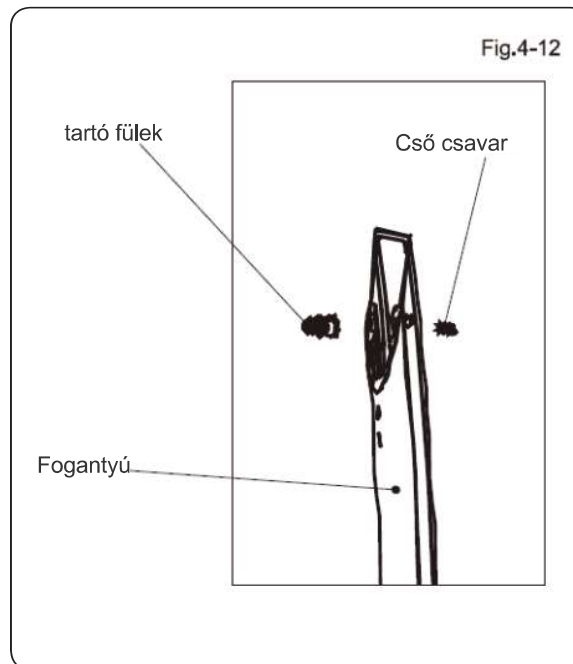
Ne húzza túl a csavarokat.

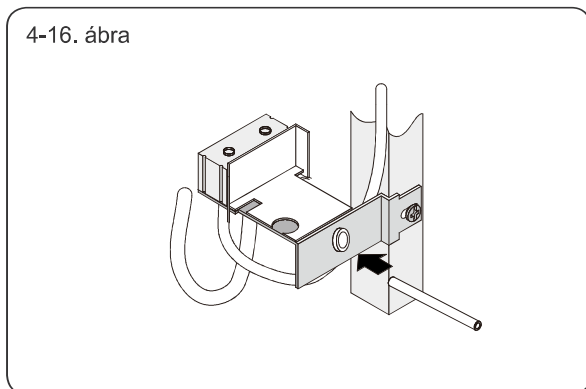
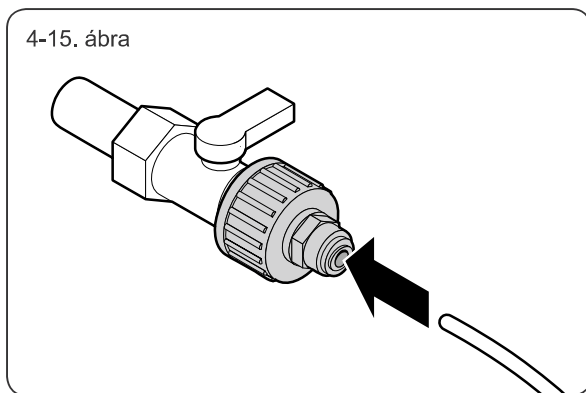
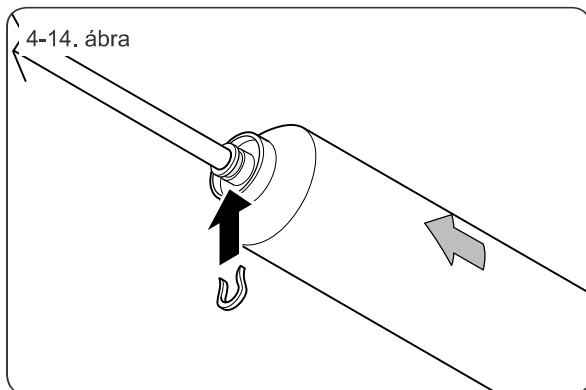
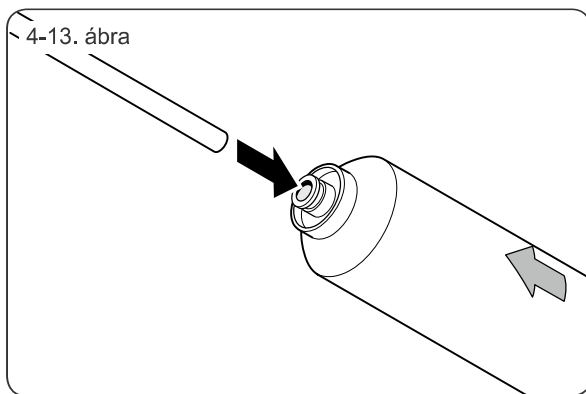
## Tápellátás csatlakozása

Csatlakoztassa a készüléket a tápellátáshoz (220–240 V ~ 50 Hz) a már felszerelt csatlakozó és vezeték segítségével.

A hálózati aljzathoz való csatlakozásnak a helyi előírásoknak megfelelőnek kell lennie.

- ⚠ A készüléket földelt hálózati aljzatba kell csatlakoztatni.
- ⚠ Ügyeljen arra, hogy a csatlakozó hozzáférhető legyen a készülék elhelyezését követően.





## Vízellátás csatlakozása

▲ Javasoljuk, hogy ezt a terméket szakképzett technikus üzemelje be.

Megjegyzés: a beüzemeléssel kapcsolatos részletes információt a vízsűrőhöz mellékelt utasítások tartalmazzák.

- Az automatikus jégkészítő hidegvíz-ellátása 0,15–0,6 Mpa nyomással történik.
- A vízcsőnek megfelelő hosszúságúnak, rendszerint 8 méteresnek kell lennie, illetve a behelyezést követően nem lehetnek benne hajlítások. Ha a vízcső túl hosszú, a víznyomás csökken, ez pedig befolyásolja a jég- és a hidegvíz-tartalmat.
- NE csatlakoztassa a vízellátást, ha a környezeti hőmérséklet 0 °C alatt van, mivel ebben az esetben a vízcső megfagyhat.
- Mindig csatlakoztassa az ivóvíz-ellátást.
- Tartsa távol a vízcsövet a hőforrásoktól.
- A vízsűrő funkciója a vízben lévő szennyeződések kiszűrése, illetve a tiszta és higiénikus jég biztosítása. Semmit sem képes sterilizálni, illetve megsemmisíteni, ezért rendkívül fontos, hogy iható vízforráshoz csatlakoztassa a vízcsövet.
- A készülék automatikus vízrendszerrel rendelkezik, ezért ne adjon hozzá manuálisan vizet.
- Ha jégkészítő be van kapcsolva, ám a készülék nem csatlakozik vízkimenethez, a jégkészítő nem működik.

## A vízsűrő beszerelése

Mérje le a szűrőtől a mélyhűtővel rendelkező hűtőszekrényig, illetve a szűrőtől a vízellátásig szükséges csőhosszt, majd vágja méretre a csövet. Ügyeljen arra, hogy éles kés használatával derékszögű metszést végezzen.

Nyomja be az egyik cső végét a vízsűrőbe (4-13. ábra).

Rögzítse a csövet a filterhez úgy, hogy az ábrán látható módon becsúsztatja a rögzítőkapcsot a horonyba (4-14. ábra).

Ismételje meg az eljárást a szűrő másik végén.

Csatlakoztassa a csővéget a műanyag adapterbe (4-15. ábra). Csavarja az adaptert egy megfelelő, ½" Whitworth-csőmenetes vízkimeneti csatlakozóra.

Keresse meg a csőszerelvényt a hűtőszekrény hátoldalán. Nyomja a csővéget a csőszerelvénybe (4-16. ábra).

Nyissa meg a csőszerelvény szelepét a cső átöblítéséhez – ellenőrizze, hogy nem szivároog-e víz a vízcső illesztékeinél, illetve folyassa a vizet, amíg tiszta nem lesz a vízugár.

## A vízadagoló üzembehelyezése

Az első használat előtt nyomja meg egymás után többször a vízadagoló nyomólapját 1 percen keresztül. Ne nyomja 1 percnél tovább, nehogy túlhevüljön a nyomólap-aktiváló mágnesetekercs. Hideg víz fog folyni a kiömlőnyílásból.

## 5. Tisztítás és karbantartás

---

### Leolvasztás

A leolvasztás automatikus, így nincs szükség a készülék manuális leolvasztására.

- ⚠ NE használjon mechanikus eszközöket a leolvasztási folyamat felgyorsításához.

### Tisztítás

- ⚠ Tisztítás előtt csatlakoztassa le a készüléket a tápellátásról.

A belső kellemetlen szagok minimálisra csökkentéséhez rendszeres időközönként tisztítsa meg a belső polcokat, crisper fiókokat, tartályokat és falakat.

Vegye ki a készülékből az összes élelmiszert és a polcokat.

Meleg vízzel, szódadikarbónával és puha törlőruhával tisztítsa meg a készülék belsejét. Ügyeljen arra, hogy a készülék belsejét egy erre alkalmas törlőruhával alaposan megszárrítsa.

- ⚠ NE használjon durva dörzsszivacsot, illetve maró hatású tisztítószeret, mivel ezek károsíthatják a készülék belsejét.

A polcok és az egyéb tartozékok (műanyag és üveg alkatrészek) a mosogatóban, mosogatószerrel és meleg vízzel tisztíthatók. Ügyeljen arra, hogy a mosogatószer teljesen leöblítse, és megszárrítsa az összes alkatrészt, mielőtt visszahelyezné azokat a készülékbe.

Mindig tartsa tisztán az ajtók tömítéseit.

- ⚠ A hűtőszekrény nehéz. A hűtőszekrény mozgatasakor óvatosan járjon el a padló védelmében. Tartsa függőlegesen a hűtőszekrényt, ne billentse oldalra – ez segít elkerülni a padló károsodását.
- ⚠ NE permetezze, illetve öblítse le vízzel vagy egyéb folyadékokkal a hűtőszekrényt. Ez ugyanis károsíthatja az elektromos alkatrészeket.
- ⚠ Ha az elektromos alkatrészek közelében tisztítja a készüléket (például a világítás vagy a kapcsoló környékén), használjon száraz törlőruhát.
- ⚠ NE használjon merev vagy drótkéfé a hűtőszekrény tisztításához.
- ⚠ NE használjon szerves oldószert, például detergenst, benzint, lakkot, higítókat, acetont, illetve savat.
- ⚠ Annak megelőzésére, hogy a bőre a hideg acélfelületekhez ragadjon, ügyelni kell arra, hogy ne nyúljon vizes kézzel ezekhez a részekhez.
- ⚠ NE használjon FORRÓ vizet az üvegpalcok tisztításához, mivel ezek eltörhetnek vagy megrepedhetnek.
- ⚠ Új vízszűrő beszerelésekor dobja ki az első 24 óra során termelt összes jeget.

### A hűtőszekrény kikapcsolása

Áramszünet esetén az élelmiszer kb. 5 órán keresztül biztonságosan hideg marad.

Hosszabb ideig tartó áramszünet esetén előfordulhat, hogy a megfelelő hőmérséklet fenntartása érdekében ki kell vennie az élelmiszert a mélyhűtőből, és több réteg újságpapírba becsomagolva, hűvös helyen kell tárolnia.

Az áramellátás helyreállítása után helyezze vissza az élelmiszert a mélyhűtőrekeszbe.

Ha az élelmiszer kiolvadása megindul, illetve az áramszünet a vártnál tovább tart, javasoljuk, hogy fogyassza el a mélyhűtőből kivett élelmiszert.

Ha az áramkimaradás rövid ideig tart, a legtöbb élelmiszer a mélyhűtőrekeszben hagyható – ez a legjobb megoldás a hőmérséklet fenntartására –, körbevéve a jégkockatárolóból kivett jégkockákkal. Ez ideális megoldás előre bejelentett áramkimaradások esetére is.

Ha áramszünetet észlel, ne helyezzen további adag élelmiszert a mélyhűtőbe.

### Használaton kívül helyezés esetén

Ha hosszabb ideig nem használja a készüléket, javasoljuk, hogy kapcsolja le a tápellátást, vegye ki az összes élelmiszert, tisztítsa meg a készülék belsejét, és hagyja félig nyitva az ajtaját. Ezzel energiát takarít meg, ráadásul megelőzi az áporodott szagok kialakulását a készülék belsejében.

### Vízszűrő

A vízminőség fenntartása érdekében a szűrőt időről-időre cserélni kell. Javasoljuk, hogy 6 havonta cserélje a vízszűrőt. Ha azonban a vízminőség láthatóan vagy ízlelhetően romlik, a szűrőt hamarabb ki kell cserélni.

## 6. Hibaelhárítás

Mielőtt szervizhez fordulna, tekintse át az alábbi táblázatot – ez időt és pénzt takaríthat meg Önnek.

Hiba	Ok	Megoldás
<b>A hőmérséklet túl alacsony</b>		
1.1	A mélyhűtő belső hőmérséklete túl alacsony, míg a friss élelmiszer rekesz hőmérséklete normális.	1.1.1 A mélyhűtőrekesz belső hőmérséklete túl alacsony értékre van beállítva.
1.2	A friss élelmiszer rekesz belső hőmérséklete túl hideg, míg a mélyhűtőrekesz hőmérséklete normális.	1.2.1 A friss élelmiszer rekesz belső hőmérsékletét kissé magasabb értékre, a hőmérséklet 24 óra elteltével áll be az új egyensúlyértékre.
1.3	A teljes szélességű tárolórészben lévő élelmiszer megfagyott.	1.3.1 A friss élelmiszer terület szabályozó beállításánál túl alacsony érték van megadva.
1.4	A frissentartó (crisper) fiókban tárolt élelmiszer megfagyott.	1.4.1 A friss élelmiszer rekesz hőmérséklet-beállításánál túl alacsony érték van megadva.
1.5	Az adagoló kijelzőjén hibakódok láthatók.	1.5.1 A készülék elektronikus üzemhibát észlelt.
<b>A hőmérséklet túl magas</b>		
2.1	A mélyhűtő fiók részeiben, illetve a friss élelmiszer rekeszben túl magas a hőmérséklet.	2.1.1 Gyakran nyitják, illetve alkalmanként túl hosszú ideig tartják nyitva az ajtókat.
		2.1.2 Nyitva hagyták az ajtókat.
2.2	A hőmérséklet túl magas a mélyhűtőben, ám a friss élelmiszer rekeszben normális.	2.2.1 A mélyhűtő hőmérséklet-beállítása túl magas.
2.3	A hőmérséklet túl magas a friss élelmiszer rekeszben, ám a mélyhűtőben normális.	2.3.1 A friss élelmiszer rekesz hőmérséklet-beállítása túl magas.
2.4	A frissentartó (crisper) fiók hőmérséklete túl magas.	2.4.1 A friss élelmiszer rekesz hőmérséklet-beállítása túl magas.
<b>Víz, pára vagy dér/jég van a hűtőszekrényben</b>		
3.1	Nedvesség képződött a hűtőszekrényben.	3.1.1 A készülék meleg, illetve párás környezetben van.
		3.1.2 Nyitva hagyták az ajtót.
		3.1.3 Az ajtót vagy a fiókot túl gyakran nyitogatták, illetve alkalmanként túl hosszú ideig hagyták nyitva.
		3.1.4 Élelmiszer-, illetve folyadék-tartályokat hagyták nyitva.
3.2	Vízcseppek gyűlnek össze az alsó frissentartó (crisper) fiókok területén.	3.2.1 A páratartalom-beállításoknál túl magas érték van megadva.
		3.1.1.1 Állítsa a mélyhűtő hőmérsékletét kissé magasabb értékre, majd várjon 24 órát az új egyensúlyérték elérésére.
		1.4.1.1 Ha kissé magasabb értéket ad meg a friss élelmiszer terület szabályozó beállításához és/vagy csökkenti a páratartalom-szabályozó beállítás értékét, elkerülheti a dér, illetve a jég képződését.
		1.5.1.1 Hívjon szervizmérnököt, aki diagnosztizálni, majd orvosolni tudja a problémát.
		2.1.1.1 Próbálja csökkenteni az ajtónyitás gyakoriságát.
		2.1.2.1 Ügyeljen arra, hogy az ajtók keretének tömitései jól szigeteljenek. Tartsa tisztán és szennyeződésmentesen a tömitéseket.
		2.2.1.1 Állítsa hidegebbre a mélyhűtő hőmérsékletét. Ezt követően várjon 24 órát, míg a készülék eléri az újonnan beállított, hidegebb hőmérsékletet.
		2.3.1.1 Állítsa kissé hidegebbre a friss élelmiszer rekesz hőmérsékletét. Az új, hidegebb hőmérsékletet 24 órán belül éri el a készülék.
		2.4.1.1 Állítsa kissé hidegebbre a friss élelmiszer rekesz hőmérsékletét; a hidegebb hőmérsékletet 24 órán belül beállítja a készülék.
		3.1.1.1 Próbálja kissé magasabbra állítani a hőmérsékletet az érintett rekeszben.
		3.1.2.1 Ellenőrizze, hogy tiszták-e az ajtók tömitései, és jól szigetelnek-e a fém készülékház-kereten.
		3.1.3.1 Csökkentse az ajtónyitás gyakoriságát.
		3.1.4.1 Hagyja szobahőmérsékletre hűlni a forró ételeket, illetve fedje le az élelmiszert és a folyadékokat.
		3.2.1.1 Normális jelenségnek számít, ha egy kis nedves levegő lecsapódik a zárt crispert fiók belsejében. A nedvesség felgyülemelésének csökkentése érdekében vegye alacsonyabbra a páratartalom-beállítást és/vagy állítsa magasabb értékre a friss élelmiszer rekesz hőmérsékletét.

Hiba	Ok	Megoldás	
3.3	Víz keletkezik a frissentartó (crisper) fiókok üvegfedeleinek alsó felén.	3.3.1 A nedves élelmiszerekből nedvesség párolog el.	3.3.1.1 Mielőtt élelmiszert helyezne a hűtőszekrénybe, egy száraz törőruhával itassa le a túlzott nedvességet.
	3.3.2 Nem zár rendesen az ajtó tömítése, illetve párás környezetben gyakran nyitogatják az ajtót.	3.3.2.1 Ellenőrizze az ajtó tömítéseit, és próbálja csökkenteni az ajtónyitások számát. Esetleg állítsa magasabbra a friss élelmiszer rekesz hőmérsékletét.	
<b>Víz/pára/dér a hűtőszekrény külsején</b>			
4.1	A nedves levegő miatt vízcseppek keletkeznek a hűtőszekrény külsején.	4.1.1 A meleg, párás környezeti levegő keveredik a friss élelmiszer és mélyhűtő rekesz ajtajának tömítése körüli hideg levegővel, így páralecsapódást okoz.	4.1.1.1 A kis mennyiségű pára, illetve víz normális jelenség. A teljesítmény javítása érdekében érdemes egy száraz törőruhával letörölni.
			4.1.1.2 A rekeszek hőmérsékletének enyhébb növelésével csökkenthető az ilyen jellegű nedvesség kialakulása.
			4.1.1.3 Ellenőrizze, hogy megfelelően szigetel-e az ajtó tömítése, illetve tisztítsa meg.
<b>Automatikus jégkészítő</b>			
5.1	A jégkészítő nem működik megfelelően.	5.1.1 A jégkockák összetapadnak.	5.1.1.1 Vegye ki az összetapadt jégkockák tömbjét, törje össze, majd a szétválasztott jégkockákat tegye vissza a jégkockatárolóba.
		5.1.2 Előfordulhat, hogy túl hosszú ideig való tárolás esetén a jégkockák összetapadnak.	5.1.2.1 Lásd a fenti, 5.1.1.1 pontot.
5.2	A jégkockák túl nagyok vagy túl kicsik.	5.2.1 A jégkészítő vízellátása nem megfelelően van beállítva.	5.2.1.1 Állítsa be a jégkészítő vízellátását.
<b>Hidegvíz- és jégadagoló</b>			
6.1	A készülék nem adagol hideg vizet.	6.1.1 A mélyhűtő vagy a hűtőszekrény ajtaja nincs teljesen becsukva. Nincs kinyitva a vízellátás szelepe.	6.1.1.1 Csukja be a készülék összes ajtaját. Nyissa meg teljesen a vízellátás szelepét.
		6.1.2 Eltömődött a vízsűrő	6.1.2.1 Cserélje ki a vízsűrőt.
		6.1.3 Eltömődött a vízcső.	6.1.3.1 Ellenőrizze, hogy a vízcsövek nincsenek-e megtörve vagy elszorítva.
6.2	A víznek furcsa szaga van.	6.2.1 A vizet túl hosszú ideig tárolták használat nélkül.	6.2.1.1 Vegyen ki 7 csésze vizet, és öntse ki. Ellenőrizze, hogy javul-e a víz szaga.
		6.2.2 Gyaníthatóan a helyi hordozható vízforrással van probléma.	6.2.1.2 Forduljon a helyi vízellátó vállalathoz a vízminőség ellenőrzésével kapcsolatban.
6.3	A készülék nem adagol jeget.	6.3.1 A mélyhűtő vagy a hűtőszekrény ajtaja nincs teljesen becsukva.	6.3.1.1 Csukja be a készülék összes ajtaját.
		6.3.2 Nincsenek jégkockák a tartályban	6.3.2.1 Várjon, amíg a készülék jégkockát készít.
		6.3.3 A mélyhűtő hőmérséklete túl magas értékre van beállítva.	6.3.3.1 Csökkentse a mélyhűtő hőmérsékletét a jégkockakészítő teljesítményének javításához.
6.4	Az adagolóban elakadás van	6.4.1 A kiolvadó víz ráfagyott a jégkockatárolóra.	6.4.1.1 Távolítsa el a tartályt. Tisztítsa és szárítsa meg az adagolócsapot. Helyezze vissza a tartályt.
		6.4.2 Jégkockák szorultak be a jégkészítő és a tartály közé.	6.4.2.1 Távolítsa el a jégkockákat a jégkészítő és a tartály közül.
		6.4.3 Összetapadnak a jégkockák.	6.4.3.1 Vegye ki az összetapadt jégkockák tömbjét, törje össze, majd a szétválasztott jégkockákat tegye vissza a jégkockatárolóba.
		6.4.4 Más típusú jégkockákat helyeztek az adagolóba.	6.4.4.1 Csak a jégkészítő által készített jégkockák használhatók az adagolóban.

Hiba	Ok	Megoldás
A hűtőszekrénynek kellemetlen szaga van		
7.1	A hűtőszekrény belseje elszennyeződött.	<p>7.1.1 Meg kell tisztítani a belső falakat, a polcokat és az ajtótartályokat</p> <p>7.1.2 A hűtőszekrényben tárolt ételek eltarthatósági ideje lejárt.</p> <p>7.1.1.1 Tisztítsa meg az összes belső felületet meleg vízzel és tiszta, puha, nedves törülközővel, majd törölje szárazra.</p> <p>7.1.2.1 Csomagolja be, és fedje le az élelmiszereket az eltarthatósági idő meghosszabbítása érdekében.</p>
Az ajtó nehezen nyitható és/vagy csukható		
8.1	Az ajtónak záródási hibája van.	<p>8.1.1 Előfordulhat, hogy az ajtó záródását adott élelmiszerek vagy élelmiszer-csomagok akadályozzák.</p> <p>8.1.2 A hűtőszekrény szintezése okozza, hogy az ajtó kicsúszik a megfelelő helyzetéből.</p> <p>8.1.3 Előfordulhat, hogy az ajtó a készülék melletti konyhabútorba vagy berendezésekbe ütközik.</p> <p>8.1.1.1 Igazítsa meg a polcokat, ajtótartályokat, illetve belső tartályokat, hogy az ajtó becsukódhasson.</p> <p>8.1.2.1 Gondoskodjon arról, hogy a padló szintben legyen – masszív, nem gyúlékony anyagok használatával.</p> <p>8.1.3.1 Hagyjon megfelelő, 25 mm-es nagyságú üres helyet a készülék mindhárom oldalán, illetve tetején, hogy az ajtók szabadon nyitódhassanak és csukódhassanak.</p>
Általános		
9.1	A kompresszor nem működik.	<p>9.1.1 A hűtőszekrény mélyfagyasztás módban van</p> <p>9.1.2 A hűtőszekrény nincs bekapcsolva.</p> <p>9.1.1.1 Normális jelenség, hogy a hűtőszekrény automatikusan mélyfagyasztás módba lépjen. A mélyfagyasztás üzemmód kb. 30 percig aktív.</p> <p>9.1.2.1 Ügyeljen arra, hogy a csatlakozó teljes hosszában be legyen helyezve a hálózati aljzatba.</p> <p>9.1.2.2 Kikapcsolt a megszakító? Ellenőrizze, és cserélje új 13 A biztosítékra és/vagy indítsa újra a megszakítót.</p> <p>9.1.2.3 Ellenőrizze a helyiség áramellátását. Hívja a helyi elektromos vállalatot.</p>
9.2	A hűtőszekrény gyakran, illetve hosszú ideig üzemel.	<p>9.2.1 A helyiség, illetve a környezet hőmérséklete magas.</p> <p>9.2.2 Működik a jégkészítő.</p> <p>9.2.3 Gyakran nyitják, illetve csukják az ajtókat.</p> <p>9.2.4 A mélyhűtő és a friss élelmiszer rekesz szabályozó-beállításainál túl alacsony érték van megadva.</p> <p>9.2.5 Előfordulhat, hogy az ajtók tömítései elszennyeződtek, kopottak vagy repedtek.</p> <p>9.2.1.1 Normális jelenségnek számít, ha a hűtőszekrény folyamatosan üzemel.</p> <p>9.2.2.1 Ez normális jelenség – a jégkészítő további üzemelést igényel a hűtőszekrénytől.</p> <p>9.2.3.1 Próbálja csökkenteni az ajtók, illetve a fiókok nyitogatási gyakoriságát.</p> <p>9.2.4.1 Kissé magasabbra állítsa be a rekesz hőmérsékletét, és hagyja a készüléket 24 óráig átállni az új egyensúlyértékre.</p> <p>9.2.5.1 Tisztítsa meg a tömítéseket és/vagy kissé melegítse fel hajszárítóval, hogy a tömítés felvegye a fémkeret kontúrját.</p>
9.3	A kompresszor gyakran kapcsol be, illetve ki.	<p>9.3.1 A rekesz hőmérséklet-érzékelői a beállított értékeket tartják a hűtőszekrényt, megfelelően működtetve a kompresszort.</p> <p>9.3.1.1 Ez normális jelenség. A hűtőszekrény kompresszora a megfelelő hűtési szintet fogja biztosítani.</p>
10.1	Nincs világítás.	<p>10.1.1 A világítás kapcsolóját élelmiszer-részecskék vagy törmelék akadályozza.</p> <p>10.1.2 A hűtőszekrény ki van kapcsolva.</p> <p>10.1.1.1 Csatlakoztassa le a tápellátás csatlakozóját. Keresse meg a világítás kapcsolóját a friss élelmiszer rekesz belső falán, és mozgassa, ellenőrizve, hogy a kapcsoló be-, illetve kikapcsolgatásával ki tudja-e mozgatni a beleragadt élelmiszer-részecskéket.</p> <p>10.1.2.1 Győződjön meg arról, hogy a tápellátás csatlakozója teljesen be van-e dugva a fali aljzatba.</p>
11.1	Sípoló hang hallatszik a hűtőszekrényből vagy a mélyhűtőből.	<p>11.1.1 Az egyik ajtó több mint 60 másodperce nyitva van.</p> <p>11.1.1.1 Ez normális jelenség, és az ajtó becsukásáig 1 percenként ismétlődni fog.</p>

## 7. Műszaki jellemzők

### Besorolások

Típus	HRF-628A*6/HRF-628I*6
Elektromos – feszültség/frekvencia	220–240 V 50 Hz
Energiahatékonysági osztály	A+
Klímaosztály	SN-N-ST
Mélyhűtőrekesz csillag-osztályzata	*/***
Hűtőközeg	R600a 80 g
Bruttó kapacitás	610 liter
Nettó kapacitás	550 liter
Nettó kapacitás – hűtőrekesz	375 liter
Nettó kapacitás – mélyhűtőrekesz	175 liter
Mélyhűtő kapacitása/24 óra	10 kg/24 óra
Energiafogyasztás/év	420 kW·h/év
Energiafogyasztás (EN153)	1,15 kW·h/24 óra
Maximális zajszint	42 dB(A)
Maximális tárolási idő áramszünet esetén	5 óra
Jégkészítő kapacitása	1 kg/24 óra

Típus	HRF-630A*7/HRF-630I*7
Elektromos – feszültség/frekvencia	220–240 V 50 Hz
Energiahatékonysági osztály	A++
Klímaosztály	SN-N-ST-T
Mélyhűtőrekesz csillag-osztályzata	*/***
Hűtőközeg	R600a 80 g
Bruttó kapacitás	610 liter
Nettó kapacitás	550 liter
Nettó kapacitás – hűtőrekesz	375 liter
Nettó kapacitás – mélyhűtőrekesz	175 liter
Mélyhűtő kapacitása/24 óra	10 kg/24 óra
Energiafogyasztás/év	355 kW·h/év
Energiafogyasztás (EN153)	0.97 kW·h/24 óra
Maximális zajszint	42 dB(A)
Maximális tárolási idő áramszünet esetén	5 óra
Jégkészítő kapacitása	1 kg/24 óra

### **Πριν χρησιμοποιήσετε τη συσκευή για πρώτη φορά**

Προβλεπόμενη χρήση: Αυτή η συσκευή έχει σχεδιαστεί αποκλειστικά για χρήση σε στεγνό, οικιακό περιβάλλον. Κάθε άλλη χρήση είναι ακατάλληλη και μπορεί να οδηγήσει σε τραυματισμούς, αναιρώντας κάθε ευθύνη του κατασκευαστή.

#### *Πράγματα που πρέπει να κάνετε...*

- Βεβαιωθείτε ότι το φιντ δεν έχει εγκλωβιστεί κάτω από το ψυγείο.
- Κρατήστε το φιντ, όχι το καλώδιο, όταν αποσυνδέετε το ψυγείο.
- Προσέξτε να μην προκαλέσετε φθορά στο καλώδιο ρεύματος όταν απομακρύνετε το ψυγείο από τον τοίχο. Βεβαιωθείτε ότι το φιντ δεν έχει υποστεί ζημιά, και σε αντίθετη περίπτωση συμβουλευτείτε έναν εξουσιοδοτημένο αντιπρόσωπο για αντικατάσταση.
- Βεβαιωθείτε ότι δεν υπάρχει διαρροή εύφλεκτου αερίου κοντά στο ψυγείο. Αν διαπιστώσετε διαρροή, ανοίξτε τα παράθυρα και τις πόρτες, αλλά μην βγάλετε το ψυγείο ή οποιαδήποτε άλλη συσκευή από την πρίζα (κίνδυνος δημιουργίας σπινθήρα).
- Αποσυνδέστε το ψυγείο κατά τον καθαρισμό, τη συντήρηση ή την αντικατάσταση λυχνίας.
- Ανοίξτε τις πόρτες από τις λαβές για να μην τραυματίσετε τα δάκτυλά σας.
- Όταν βγάλετε το ψυγείο από την πρίζα, περιμένετε τουλάχιστον 5 λεπτά πριν το συνδέσετε ξανά για να μην προκληθεί βλάβη στον συμπιεστή.
- Αφήνετε τα ανοίγματα εξαερισμού ελεύθερα.
- Όταν απορρίπτετε το ψυγείο, προκειμένου να αποφευχθεί τυχόν τυχαία παγίδευση παιδιών, παρακαλούμε να αφαιρέσετε τις πόρτες του ψυγείου και τα ράφια και να τα τοποθετήσετε σε κατάλληλη θέση.
- Το ψυγείο θα πρέπει να τοποθετείται σε καλά αεριζόμενο χώρο, όχι μακριά από μια παροχή νερού.
- Αφήστε κενό τουλάχιστον 20 cm πάνω και 10 cm γύρω από το ψυγείο.
- Η συσκευή πρέπει να τοποθετηθεί με τρόπο που το φιντ να παραμένει προσβάσιμο.

#### *Πράγματα που δεν πρέπει να κάνετε...*

- Το ψυγείο λειτουργεί με παροχή 220-240 VAC/50 Hz. Αν τροφοδοτήσετε το ψυγείο με εσφαλμένη τάση, το ψυγείο ενδέχεται να μην τεθεί σε λειτουργία, να προκληθεί βλάβη στον έλεγχο της θερμοκρασίας ή στον συμπιεστή ή να προκύψει ασυνήθιστος θόρυβος όταν ο συμπιεστής βρίσκεται σε λειτουργία. Σε μια τέτοια περίπτωση, θα πρέπει να τοποθετηθεί αυτόματος ρυθμιστής.
- Απαιτείται κατάλληλη πρίζα με αξιόπιστη γείωση. Το καλώδιο τροφοδοσίας του ψυγείου φέρει φιντ 3 ακίδων (γείωση) για να ταιριάζει με τις πρίζες με γείωση. Ποτέ μην κόβετε ή αποσυνδέετε την τρίτη ακίδα (γείωση). Μετά την εγκατάσταση του ψυγείου, το φιντ πρέπει να είναι προσβάσιμο.
- Μην αποθηκεύετε εύφλεκτα, εκρηκτικά ή διαβρωτικά υλικά στο ψυγείο..
- Μην αποθηκεύετε φάρμακα, βακτήρια ή χημικές ουσίες στο ψυγείο. Αυτό το ψυγείο είναι μια οικιακή συσκευή. Δεν συνιστάται να τοποθετείτε υλικά που απαιτούν αυστηρό έλεγχο θερμοκρασίας.
- Μην αποθηκεύετε ή χρησιμοποιείτε βενζίνη ή άλλα εύφλεκτα υλικά κοντά στο ψυγείο γιατί υφίσταται κίνδυνος πυρκαγιάς.
- Μην τοποθετείτε ασταθή αντικείμενα (βαριά αντικείμενα, δοχεία γεμάτα με υγρά) στο πάνω μέρος του ψυγείου, για να αποφύγετε τραυματισμούς από πτώση ή ηλεκτροπληξία από την επαφή με νερό.
- Μην κρεμιέστε από τα ράφια της πόρτας. Η πόρτα ή το ράφι μπορεί να πέσουν και το ψυγείο να ανατραπεί.
- Μην πατάτε στην πόρτα του καταψύκτη ή στα ράφια κατά την τοποθέτηση ή την αφαίρεση τροφίμων και ποτών.
- Μην αγγίζετε την εσωτερική επιφάνεια του καταψύκτη όταν είναι σε λειτουργία, ειδικά με βρεγμένα χέρια, καθώς τα χέρια σας μπορεί να παγώσουν και να κολλήσουν στην επιφάνεια του καταψύκτη.

- Για να εξασφαλιστεί η ηλεκτρική μόνωση του ψυγείου, μην ψεκάζετε ή ξεπλένετε το ψυγείο με νερό κατά τον καθαρισμό και μην τοποθετείτε το ψυγείο σε υγρά σημεία ή σε σημεία όπου μπορεί να πιτσιλιστεί με νερό. Καθαρίστε και στεγνώστε τυχόν κηλίδες νερού με ένα μαλακό καθαρό πανί.
- Τυχόν αποσυναρμολόγηση και τροποποίηση του ψυγείου πρέπει να εγκριθεί από εξουσιοδοτημένο τεχνικό. Οποιαδήποτε απότομη κίνηση του ψυγείου μπορεί να καταστρέψει τις σωληνώσεις ψύξης. Ενδέχεται να προκληθεί τραυματισμός ή ζημιά.
- Η επισκευή του ψυγείου πρέπει να γίνεται από ειδικευμένο προσωπικό.
- Ποτέ μην αποθηκεύετε εμφιαλωμένα αναψυκτικά ή μπίρα στην κατάψυξη, καθώς ενδέχεται να σπάσουν.
- Μην τοποθετείτε το ψυγείο υπό άμεσο ηλιακό φως ή σε σημείο όπου εκτίθεται σε θερμότητα από φούρνους, θερμάστρες ή άλλες συσκευές.
- Μην αφήνετε τις πόρτες του ψυγείου ανοιχτές χωρίς την παρουσία ενός ενήλικα και να μην αφήνετε τα παιδιά να μπαίνουν στο ψυγείο.
- Μην αφήνετε τα παιδιά να σκαρφαλώνουν στο συρτάρι.
- Μη χρησιμοποιείτε ηλεκτρικές συσκευές μέσα στην συσκευή, εκτός και είναι τύπου που προτείνεται από τον κατασκευαστή.
- Μην προκαλείτε φθορές στο κύκλωμα του ψυκτικού μέσου.
- Μη χρησιμοποιείτε πιστολάκι για τα μαλλιά για να στεγνώσετε το εσωτερικό του ψυγείου. Μην τοποθετείτε αναμμένα κεριά στο ψυγείο για να απομακρύνετε τις οσμές.
- Μην ψεκάζετε πτητικά υλικά, όπως εντομοκτόνα, σε οποιαδήποτε επιφάνεια της συσκευής.
- Ανοίγετε ή κλείνετε τις πόρτες του ψυγείου μόνο όταν δεν στέκονται παιδιά εντός του εύρους της κίνησης της πόρτας.
- Η συσκευή αυτή δεν προορίζεται για χρήση από άτομα (συμπεριλαμβανομένων παιδιών) με μειωμένες σωματικές ή πνευματικές ικανότητες ή έλλειψη εμπειρίας και γνώσης αν δεν έχουν δοθεί οδηγίες σχετικά με τη χρήση της συσκευής από άτομο υπεύθυνο για την ασφάλειά τους.
- Μην αποθηκεύετε υπερβολική ποσότητα τροφίμων για να αποφύγετε την υπερβολική λειτουργία του συμπιεστή.
- Συνιστάται να μην υπερβαίνετε τη γραμμή φόρτωσης των συρταριών.
- Το συνολικό βάρος των τροφών δεν πρέπει να υπερβαίνει τα 30 κιλά. Για να αποφύγετε την πτώση των τροφίμων, μην τραβάτε το συρτάρι πολύ απότομα.
- Μη χρησιμοποιείτε συσκευές ή άλλα μέσα για να επιταχύνετε τη διαδικασία απόψυξης, πέραν όσων προτείνει ο κατασκευαστής.
- Σε περίπτωση οποιουδήποτε προβλήματος με το φως του ψυγείου, παρακαλούμε επικοινωνήστε με το τμήμα εξυπηρέτησης πελατών μας, καθώς οι χρήστες δεν μπορούν να το αντικαταστήσουν μόνοι τους.

## Περιεχόμενα

1. Πριν ξεκινήσετε .....	5
Ασφάλεια .....	5
Ηλεκτρική ασφάλεια .....	6
Πληροφορίες για το ψυκτικό υγρό .....	6
Προστασία περιβάλλοντος .....	7
2. Πληροφορίες για το ψυγείο σας .....	8
Σχετικά με το διαμέρισμα ψύξης .....	10
Σχετικά με το διαμέρισμα κατάψυξης .....	11
Σύστημα παρασκευής πάγου / παροχής νερού .....	12
Πρώτη χρήση της παγομηχανής/του διανεμητή νερού .....	13
Λειτουργία ψυγείου/ κατάψυξης .....	14
Χρήση διανεμητή νερού και πάγου .....	16
3. Συμβουλές συντήρησης τροφίμων .....	18
Διατήρηση νωπών τροφίμων .....	18
Κατάψυξη νωπών τροφίμων .....	20
4. Εγκατάσταση .....	21
Τοποθέτηση της συσκευής .....	21
Αφαίρεση και τοποθέτηση πόρτας .....	22
Οριζόντιωση ψυγείου και ρύθμιση πορτών .....	23
Ευθυγράμμιση πορτών .....	23
Τοποθέτηση λαβών .....	23
Ηλεκτρική σύνδεση .....	23
Σύνδεση παροχής νερού .....	24
5. Καθαρισμός και συντήρηση .....	25
Απόψυξη .....	25
Καθαρισμός .....	25
Διακοπή ρεύματος .....	25
Διακοπή χρήσης .....	26
6. Αντιμέτωπιση προβλημάτων .....	27
7. Τεχνικά χαρακτηριστικά .....	28

## 1. Πριν ξεκινήσετε

Σας ευχαριστούμε που αγοράσατε το ψυγείο - καταψύκτη Haier. Ελπίζουμε ότι θα αποτελέσει μια κομψή και πρακτική λύση για τις δικές σας ανάγκες ψύξης. Παρακαλούμε διαβάστε προσεκτικά το παρόν εγχειρίδιο πριν χρησιμοποιήσετε την συσκευή. Φυλάξτε αυτό το εγχειρίδιο και παραδώστε το μαζί με το ψυγείο σε τυχόν νέο ιδιοκτήτη. Πιστεύουμε ότι σε αυτό το εγχειρίδιο θα βρείτε όλες τις απαραίτητες πληροφορίες. Ωστόσο, μην διστάσετε να επικοινωνήσετε μαζί μας εάν έχετε οποιαδήποτε απορία.

**ΠΡΟΣΟΧΗ:** Η συσκευή απαιτεί τροφοδοσία από πρίζα με γείωση.

- Μην χρησιμοποιήσετε τη συσκευή πριν περάσουν έξι ώρες τουλάχιστον. Με τον τρόπο αυτό θα σταθεροποιηθεί το σύστημα ψύξης μετά τη μεταφορά.
- Η εγκατάσταση της συσκευής πρέπει να γίνει από ειδικευμένο τεχνικό.
- Ο θάλαμος του καταψύκτη είναι 4 αστέρων.
- Η συσκευή προορίζεται για οικιακή χρήση σε εσωτερικούς χώρους. Οποιαδήποτε άλλη χρήση ενδέχεται να ακυρώσει την εγγύηση.
- Προτού συνδέσετε τη συσκευή στην πρίζα, καθαρίστε το εσωτερικό της χρησιμοποιώντας ζεστό νερό και διττανθρακική σόδα και, κατόπιν, στεγνώστε καλά.
- Βεβαιωθείτε ότι δεν έχουν καταστραφεί μέρη της συσκευής, ιδίως τα μέρη του συστήματος ψύξης, οι σωλήνες ή τα καλώδια. Εάν έχει συμβεί κάποια ζημιά ,
- ΜΗΝ εγκαταστήσετε τη συσκευή, επικοινωνήστε με ειδικευμένο τεχνικό ή επιστρέψτε τη συσκευή στο σημείο αγοράς.
- Εάν τα εξαρτήματα που υπάρχουν στο εσωτερικό της συσκευής μετακινήθηκαν κατά τη μεταφορά, επανατοποθετήστε τα σύμφωνα με τις οδηγίες.
- Βεβαιωθείτε ότι η παροχή ηλεκτρικού ρεύματος από την πρίζα είναι η κατάλληλη για αυτή τη συσκευή. Οι απαιτούμενες πληροφορίες αναγράφονται στην πινακίδα στοιχείων της συσκευής. Η πινακίδα στοιχείων βρίσκεται στο εσωτερικό της συσκευής (θάλαμος ψυγείου).
- Μετά την εγκατάσταση, τον καθαρισμό και το στέγνωμα, η συσκευή είναι έτοιμη να συνδεθεί στην παροχή ρεύματος και να τεθεί σε λειτουργία.

## Ασφάλεια

**ΠΡΟΣΟΧΗ:** Σε αυτή τη συσκευή να χρησιμοποιείτε πόσιμο νερό.

**ΠΡΟΣΟΧΗ:** Φροντίστε να μην υπάρχουν εμπόδια κοντά στη συσκευή.

**ΠΡΟΣΟΧΗ:** ΜΗΝ καταστρέψετε το κύκλωμα ψυκτικού υγρού. Εάν προκληθεί βλάβη στο κύκλωμα, μη χρησιμοποιείτε τη συσκευή.

**ΠΡΟΣΟΧΗ:** Μην χρησιμοποιείτε μηχανικές συσκευές (π.χ. πιστολάκια μαλλιών) για την απόψυξη της συσκευής.

- Κατά την αντικατάσταση παλαιών συσκευών, πρέπει να βεβαιώνετε ότι έχετε απενεργοποιήσει τυχόν μηχανισμούς κλειδώματος πριν από την απόρριψη. Ίσως είναι καλύτερα να αφαιρέτε εντελώς την πόρτα της συσκευής, προκειμένου να μην παγιδευτούν παιδιά στο εσωτερικό της συσκευής.
- Η συσκευή πρέπει να συνδέεται στην παροχή ρεύματος με ασφάλεια. Οι χαλαρές συνδέσεις, τα σπασμένα φics και τα γυμνά καλώδια αποτελούν κίνδυνο για την ασφάλεια. Βεβαιωθείτε ότι όλες οι συνδέσεις είναι σε καλή κατάσταση.

Προτού προβείτε σε οποιαδήποτε συντήρηση ρουτίνας ή μικρές επισκευές, αποσυνδέετε τη συσκευή από την παροχή ηλεκτρικού ρεύματος. Αυτό συμπεριλαμβάνει τον καθαρισμό και την αλλαγή λαμπτήρων.

Μην αγγίζετε τις κρύες επιφάνειες της συσκευής ενόσω χρησιμοποιείται, καθώς ενδέχεται να κολλήσουν πάνω τους τα χέρια σας και να προκαλέσουν εγκαύματα λόγω ψύχους.

Κατά τη μετακίνηση της συσκευής, φροντίζετε ώστε να μην προκληθεί βλάβη στα καλώδια, τους σωλήνες ή τη μονάδα συμπυκνωτή. Σε περίπτωση που αυτά τα μέρη υποστούν βλάβη, επικοινωνήστε με ειδικευμένο τεχνικό.

Τα αναβράζοντα υγρά (αεριούχα ποτά) δεν πρέπει να καταψύχονται σε καμία περίπτωση. Αυτά τα υγρά διογκώνονται κατά την ψύξη και αυτό μπορεί να προκαλέσει θραύση ή έκρηξη των μπουκαλιών/δοχείων που τα περιέχουν.

Τα τρόφιμα που προορίζονται για απόψυξη ή για μαγείρεμα, π.χ. αρτοσκευάσματα, κρέατα κ.λπ., δεν πρέπει να καταναλώνονται κατεψυγμένα.

Εάν το φαγητό έχει παράξενη όψη ή οσμή, μην επιχειρήσετε να το φάτε. Εάν έχετε αμφιβολίες, πετάξτε το.

Μην χρησιμοποιείτε ποτέ αιχμηρά, μεταλλικά σύνεργα για να αφαιρέσετε τον πάγο από την επιφάνεια της συσκευής. Να χρησιμοποιείτε μόνο εργαλεία που είναι κατάλληλα για αυτό το σκοπό (π.χ. πλαστικές ξύστρες) και να προσέχετε έτσι ώστε να αποφεύγεται η καταστροφή της επένδυσης της συσκευής.

Το σύστημα ψύξης περιέχει ψυκτικό υγρό και λιπαντικά, τα οποία είναι επιβλαβή για την υγεία σε περίπτωση διαρροής. Εάν υπάρξει διαρροή, αποσυνδέστε τη συσκευή και αερίστε το δωμάτιο στο οποίο είναι εγκατεστημένη. Φροντίζετε το ψυκτικό υγρό να μην έρθει σε επαφή με τα μάτια σας.

Επικοινωνήστε με τον τεχνικό σέρβις ή φροντίστε να απομακρύνετε τη συσκευή.

## ***Ηλεκτρική ασφάλεια***

Οι ηλεκτρολογικές συνδέσεις πρέπει να γίνονται σύμφωνα με τους τοπικούς κανόνες.

Η συσκευή πρέπει να τοποθετηθεί με τρόπο που το φως να παραμένει προσβάσιμο.

Βεβαιωθείτε ότι το φως δεν έχει εγκλωβιστεί κάτω από το ψυγείο.

Μην πατάτε το καλώδιο.

Προστατέψτε το καλώδιο ρεύματος από φθορές κατά τη μεταφορά του ψυγείου.

## **Φθαρμένο καλώδιο ρεύματος**

Όταν το καλώδιο είναι φθαρμένο ή κατεστραμμένο, θέστε το ψυγείο εκτός λειτουργίας και συμβουλευτείτε έναν εξουσιοδοτημένο αντιπρόσωπο σχετικά με την αντικατάστασή του.

## ***Πληροφορίες για το ψυκτικό υγρό***

**ΣΗΜΑΝΤΙΚΟ:** Η συσκευή περιέχει ΙΣΟΒΟΥΤΑΝΙΟ (ISOBUTANE (R600a)). Κατά τη μετακίνηση της συσκευής, φροντίζετε ώστε να μην υποστεί έντονους κραδασμούς. Αυτό μπορεί να προκαλέσει βλάβη στη συσκευή.

Τυχόν διαρροή αερίου, ενδέχεται να προκαλέσει έκρηξη.

## **Σε περίπτωση διαρροής εύφλεκτου αερίου**

Αφήστε το αέριο να εξατμιστεί αεριζοντας καλά το χώρο.

### **Συμπεριφορά αερίου**

Το ψυκτικό αέριο είναι εξαιρετικά εύφλεκτο και δεν πρέπει να έρχεται σε επαφή με θερμές επιφάνειες ή φλόγα. Το R600a είναι βαρύτερο από τον αέρα: Αν ελευθερωθεί συγκεντρώνεται κοντά στο δάπεδο, όπου ο αερισμός είναι περιορισμένος.

### **Πρώτες βοήθειες**

#### **Εισπνοή**

Μεταφέρετε τον παθόντα σε ζεστό, καλά αεριζόμενο χώρο.

Η παρατεταμένη έκθεση ενδέχεται να προκαλέσει αίσθηση ασφυξίας και απώλεια συνείδησης. Αν είναι αναγκαίο, προχωρήστε σε τεχνητή αναπνοή και σε σοβαρές περιπτώσεις χορηγήστε οξυγόνο υπό αυστηρή ιατρική παρακολούθηση.

#### **Επαφή με το δέρμα**

Η περιστασιακή επαφή με το δέρμα δεν κρίνεται επικίνδυνη. Πλύνετε καλά το σημείο.

Οι σταγόνες υγρού ενδέχεται να προκαλέσουν εγκαύματα. Πλύνετε την περιοχή με άφθονο νερό και ζητήστε βοήθεια ιατρού σε περίπτωση εγκαύματος.

#### **Επαφή με τα μάτια**

Πλύνετε με άφθονο νερό με τα βλέφαρα ανοικτά και ζητήστε άμεσα ιατρική συμβουλή.

Σε περίπτωση επαφής ή εισπνοής R600a, συνιστούμε να συμβουλευτείτε τον ιατρό σας.

## **Προστασία περιβάλλοντος**

### **Απόρριψη υλικών συσκευασίας**

Το ψυγείο σας φέρει κατάλληλη συσκευασία για την προστασία του. Όλα τα υλικά είναι φιλικά προς το περιβάλλον και ανακυκλώσιμα. Συμβάλλετε στην προστασία του περιβάλλοντος και απορρίψτε τα υλικά συσκευασίας σωστά.

### **Απόρριψη παλιάς συσκευής**



Αυτό το σύμβολο πάνω στο προϊόν ή τη συσκευασία του υποδεικνύει ότι δεν πρέπει να απορρίπτεται στα οικιακά απορρίμματα. Θα πρέπει να παραδοθεί σε κατάλληλο κέντρο συλλογής στην περιοχή σας.

Οι παλιές συσκευές εξακολουθούν να έχουν αξία. Η φιλική προς το περιβάλλον απόρριψη εξασφαλίζει επαναχρησιμοποίηση κάποιων πρώτων υλών.

Μετά το τέλος της διάρκειας ζωής της συσκευής, απορρίψτε τη σύμφωνα με τους τοπικούς κανόνες. Κόψτε το φινι και απορρίψτε το μαζί με το καλώδιο.

Κατά την αντικατάσταση παλαιών συσκευών, πρέπει να βεβαιώνετε ότι έχετε απενεργοποιήσει τυχόν μηχανισμούς κλειδώματος πριν από την απόρριψη.

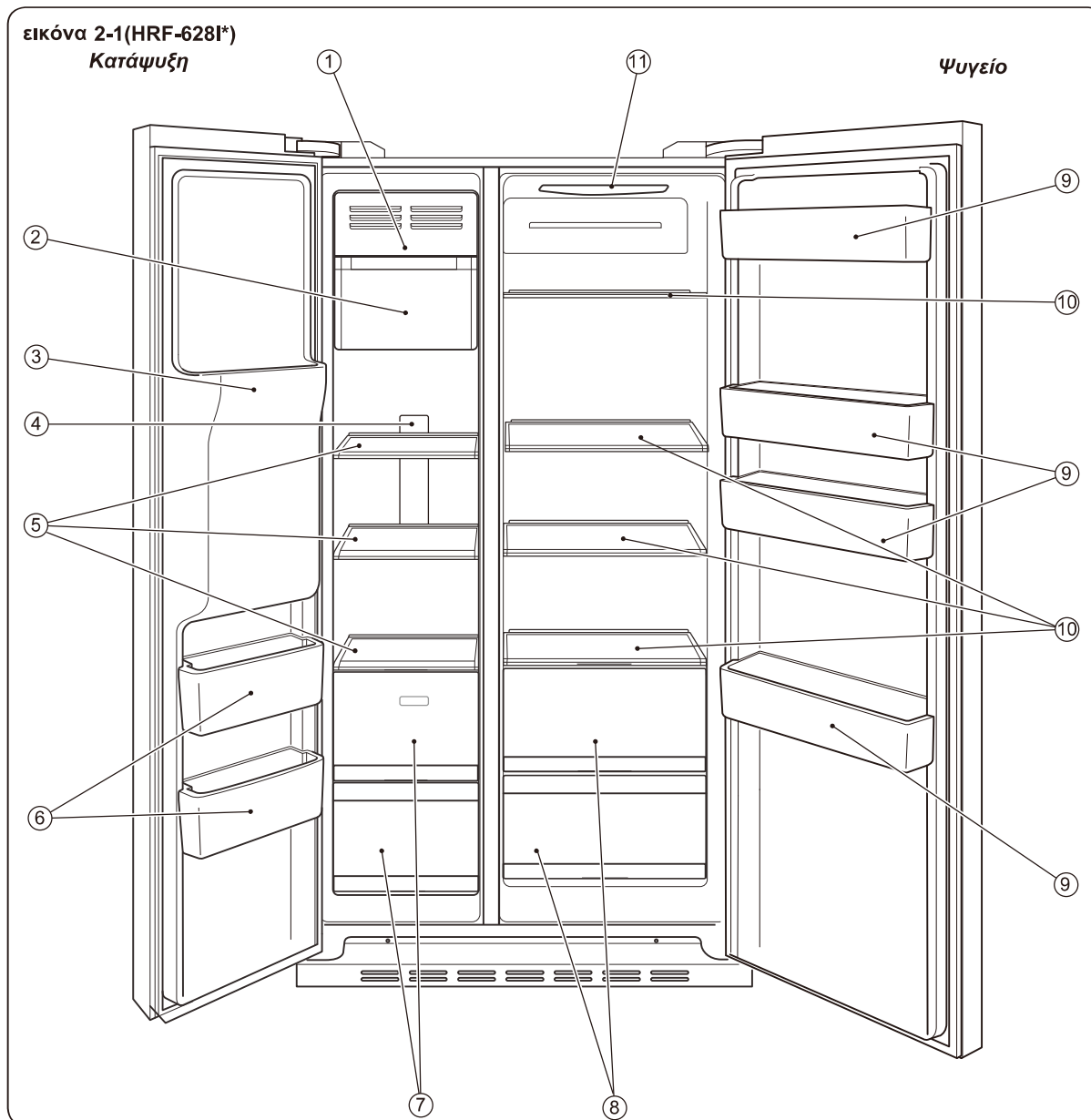
Για τη διαστολή του αφρού μόνωσης χρησιμοποιείται κυκλο-ισοπεντάνιο, μία εύφλεκτη ουσία που δεν βλάπτει το όζον.

Κατά τη μετακίνηση της συσκευής, φροντίζετε ώστε να μην προκληθεί βλάβη στα καλώδια, τους σωλήνες ή τη μονάδα συμπυκνωτή.

Εξασφαλίζοντας την ορθή διάθεση αυτού του προϊόντος, συμβάλλετε στην αποφυγή ενδεχόμενων αρνητικών συνεπειών για το περιβάλλον και τη δημόσια υγεία.

Επικοινωνήστε με τις τοπικές αρχές για πληροφορίες σχετικά με τα κέντρα ανακύκλωσης στην περιοχή σας.

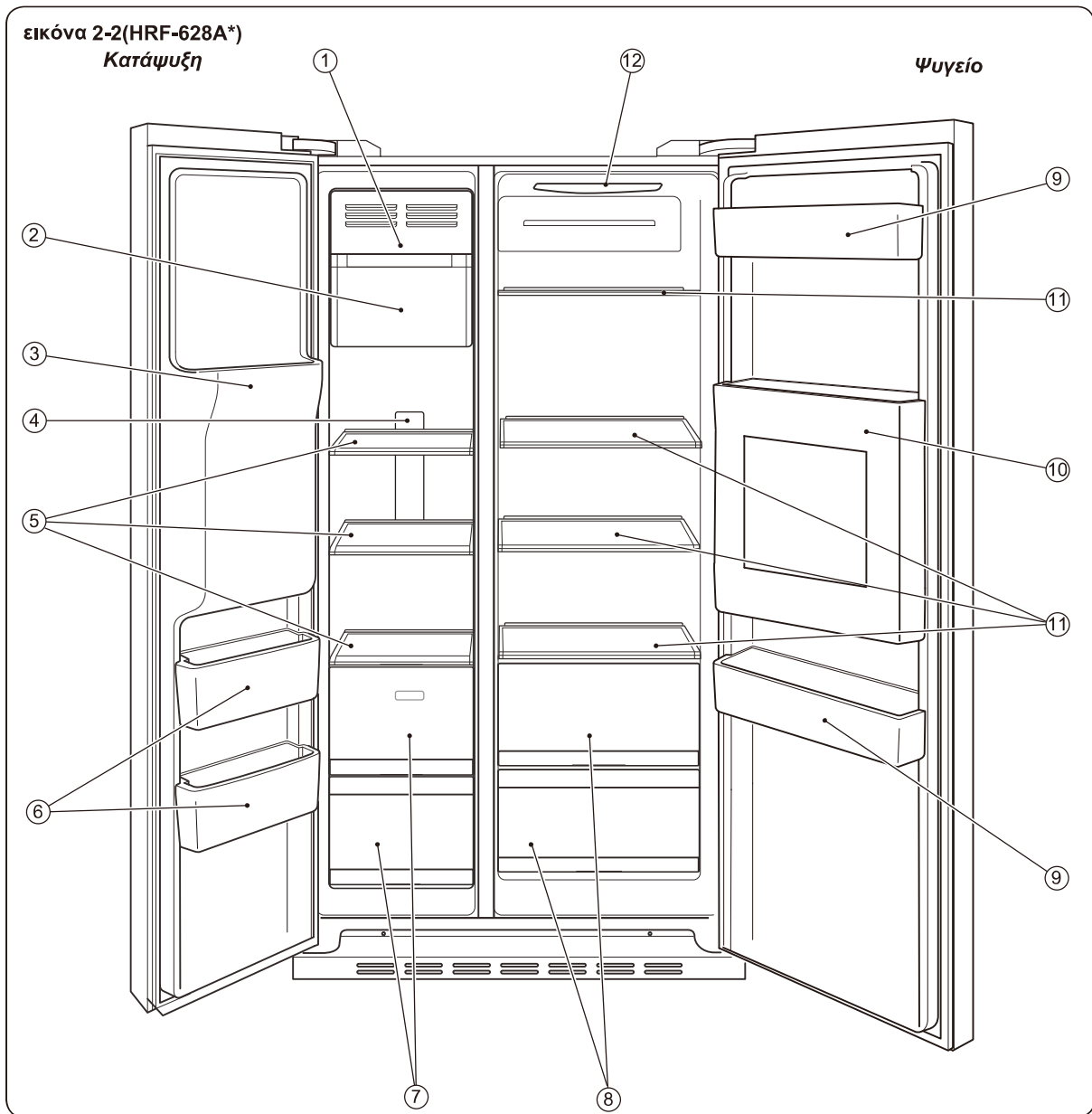
## 2. Πληροφορίες για το ψυγείο σας



Το μοντέλο HRF- 628I\* (εικόνα 2-1) έχει τα ακόλουθα χαρακτηριστικά:

- |   |   |
|---|---|
| 1. Ράφι παγωτού                             | 7. 2 συρτάρια κατάψυξης(HRF-628I*6)                   |
| 2. Δοχείο για παγάκια με συσκευή παρασκευής | 3συρτάρια κατάψυξης (HRF-630I*7)                      |
| 3. Παροχή νερού και πάγου                   | 8 2 συρτάρια λαχανικών(HRF-628I*6)                    |
| 4. Ένδειξη LED κατάψυξης                    | · 1ενυδατική συρτάρι&2 συρτάρια λαχανικών(HRF-630I*7) |
| 5. 3 ράφια κατάψυξης                        | 9. 4 ράφια πόρτας ψυγείου                             |
| 6. 2 ράφια πόρτας κατάψυξης                 | 10. 4 ράφια ψυγείου                                   |
|   | 11. Ένδειξη LED ψυγείου                               |

Λειτουργίες Super-freeze και holiday, αυτόματη ένδειξη θερμοκρασίας

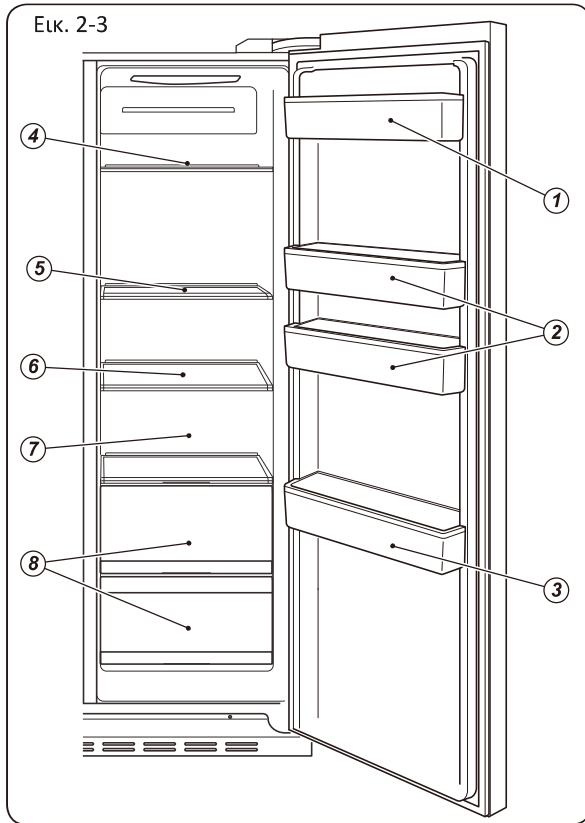


Το μοντέλο HRF- 628A\* (εικόνα 2-2) έχει τα ακόλουθα χαρακτηριστικά:

- |   |   |
|---|---|
| 1. Ράφι παγωτού                             | 8. 2 συρτάρια λαχανικών(HRF-628A*6)                   |
| 2. Δοχείο για παγάκια με συσκευή παρασκευής | 1 ενυδατική συρτάρι&2 συρτάρια λαχανικών (HRF-630A*7) |
| 3. Παροχή νερού και πάγου                   | 9. Εσωτερικό κάλυμμα Home bar                         |
| 4. Ένδειξη LED κατάψυξης                    | 10. 4 ράφια πόρτας ψυγείου                            |
| 5. 3 ράφια κατάψυξης                        | 11. 4 ράφια ψυγείου                                   |
| 6. 2 ράφια πόρτας κατάψυξης                 | 12. Ένδειξη LED ψυγείου                               |
| 7. 2 συρτάρια κατάψυξης (HRF-628A*6)        |   |
| 3 συρτάρια κατάψυξης (HRF-630A*7)           |   |

Λειτουργίες Super-freeze και holiday, αυτόματη ένδειξη θερμοκρασίας.

## Σχετικά με το διαμέρισμα ψύξης



Συνιστάται να αφήνετε κενό μεταξύ των τροφίμων για σωστή κυκλοφορία του αέρα. Η θερμοκρασία είναι ελαφρώς υψηλότερη στο πάνω μέρος του ψυγείου.

Τα ευαίσθητα τρόφιμα πρέπει να φυλάσσονται στο δροσερότερο τμήμα της συσκευής, δηλαδή στο πίσω μέρος.

Υποδείξεις συντήρησης (Εικ. 2-3):

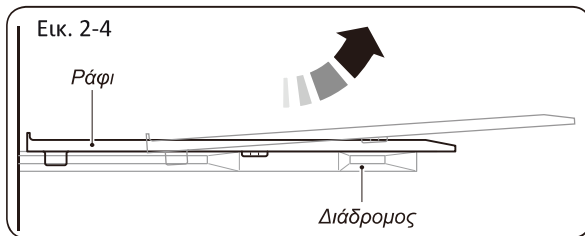
1. Αυγά, βούτυρο, τυρί, κ.λπ.
2. Αναψυκτικά, κονσέρβες κ.λπ.
3. Ποτά και εμφιαλωμένα τρόφιμα.
4. Κονσέρβες τροφίμων κ.λπ.
5. Κρέας, πουλερικά, ψάρια και νωπά τρόφιμα.
6. Αρτοσκευάσματα, κονσέρβες, γαλακτοκομικά κ.λπ.
7. Μαγειρεμένο κρέας, κ.λπ.
8. Φρούτα, λαχανικά, σαλάτες, κ.λπ.

### Ράφια

Το ύψος των ραφιών είναι ρυθμιζόμενο.

Τα ράφια δεν βγαίνουν προς τα έξω τυχαία όταν βγάξετε τρόφιμα από τη συσκευή.

➤ Για να ρυθμίσετε το ύψος ενός ραφίου, πρέπει να αφαιρέσετε πρώτα τα τρόφιμα.



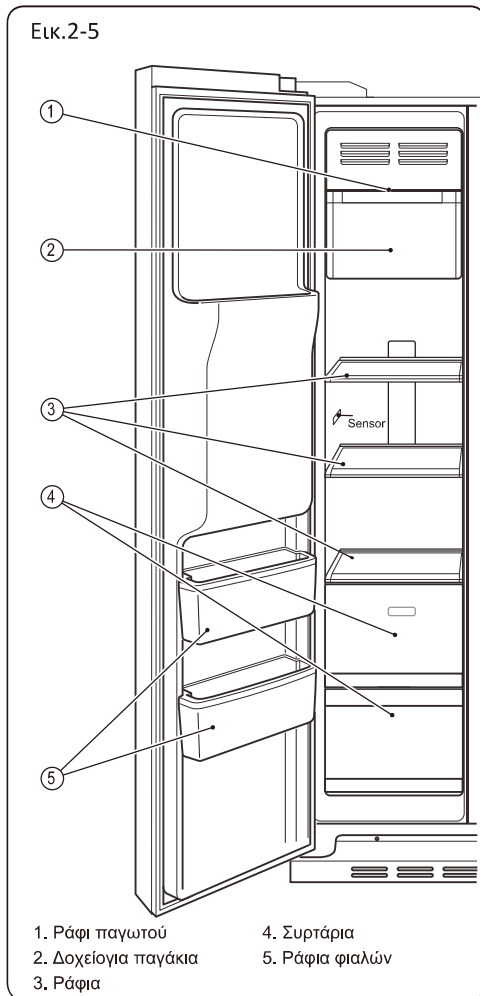
Για να αφαιρέσετε το ράφι, ανασηκώστε το μπροστινό του άκρο και τραβήξτε το προς το μέρος σας (Εικ. 2-4). Κρατήστε το ράφι κεκλιμένο ενώ το τραβάτε.

Τοποθετήστε ξανά το ράφι στη θέση του και βεβαιωθείτε ότι έχει τοποθετηθεί σωστά.

### Εσωτερικός Φωτισμός

Το εσωτερικό φως ανάβει μόλις ανοίξει η πόρτα. Η απόδοση του φωτός δεν επηρεάζεται από τις υπόλοιπες ρυθμίσεις της συσκευής.

## Σχετικά με το διαμέρισμα κατάψυξης



Η κατάψυξη αποτελείται από 2 συρτάρια, ένα ράφι παγωτού, 3 γυάλινα ράφια και 2 ράφια φιαλών (Εικ. 2-5).

Όπως και στο ψυγείο, ορισμένες περιοχές του καταψύκτη είναι καταλληλότερες για τη φύλαξη ορισμένων τροφίμων.

Οι μεγάλες/βαρύτερες μερίδες τροφίμων, όπως τα κομμάτια κρέατος για ψητό είναι καλύτερα να φυλάσσονται στα συρτάρια στο κάτω μέρος της συσκευής, ενώ τα ελαφρύτερα είδη θα πρέπει να φυλάσσονται στα ράφια – με αυτόν τον τρόπο αποφεύγεται η καταστροφή της συσκευής.

Θα πρέπει πάντα να διασφαλίζετε ότι τα τρόφιμα που φυλάσσονται είναι κατάλληλα για κατάψυξη και ότι τα φυλάσσετε με ασφάλεια μέσα στη συσκευή.

- Αφήνετε απόσταση τουλάχιστον 10 εκατοστών μεταξύ των τροφίμων και του αισθητήρα.
- Μην αφαιρείτε το κάτω συρτάρι του καταψύκτη για καλύτερο αποτέλεσμα ψύξης.

### Ράφια

Για να αφαιρέσετε το ράφι, ανασηκώστε το μπροστινό του άκρο και τραβήξτε το προς το μέρος σας (Εικ. 2-5). Κρατήστε το ράφι κεκλιμένο ενώ το τραβάτε.

Τοποθετήστε ξανά το ράφι στη θέση του και βεβαιωθείτε ότι έχει τοποθετηθεί σωστά.

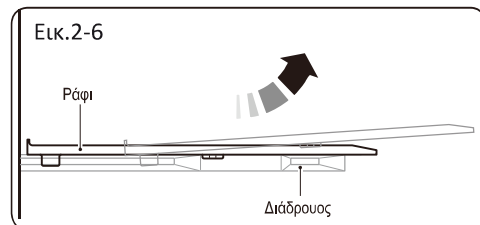
### Εσωτερικός Φωτισμός

Το εσωτερικό φως ανάβει μόλις ανοίξει η πόρτα. Η απόδοση του φωτός δεν επηρεάζεται από τις υπόλοιπες ρυθμίσεις της συσκευής.

### Απόψυξη τροφίμων για μαγείρεμα

Εάν τα τρόφιμα ξεπαγώσουν ή αποψυχθούν εν μέρει θα πρέπει να καταναλωθούν το συντομότερο δυνατόν, καθώς η ποιότητα θα επηρεαστεί από την απόψυξη.

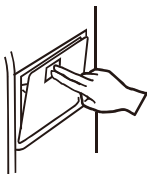
- Να βεβαιώνετε πάντα ότι τα τρόφιμα έχουν αποψυχθεί πλήρως προτού τα μαγειρέψετε και ότι δεν έχουν μείνει κρύσταλλοι πάγου. Αυτό είναι ιδιαίτερα σημαντικό όσον αφορά τα πουλερικά, καθώς μπορεί να είναι πολύ επικίνδυνο για την υγεία.



Κατά την απόψυξη έτοιμων γευμάτων να ακολουθείτε πάντα τις οδηγίες απόψυξης που αναγράφονται στη συσκευασία. Οι οδηγίες του κατασκευαστή είναι πάντα οι καλύτερες, καθώς ορισμένα κατεψυγμένα τρόφιμα πρέπει να μαγειρεύονται χωρίς να προηγηθεί απόψυξη.

## Σύστημα παρασκευής πάγου / παροχής νερού

Εικ.2-7



### Προφυλάξεις

Μην εκθέτετε ποτέ το σωλήνα νερού σε θερμοκρασίες χαμηλότερες από 0°C για να αποφεύγεται το πάγωμα.

Ελέγχετε τους σωλήνες για διαρροές ρίχνοντας νερό στο σωλήνα, έως ότου εξέλθει καθαρό νερό από το σωλήνα.

Μετά την τοποθέτηση της συσκευής στην επιθυμητή θέση, βεβαιωθείτε ότι ο σωλήνας νερού έχει τοποθετηθεί με τρόπο που να μην προκληθεί ζημιά εξαιτίας της κάμψης του και ότι δεν βρίσκεται κοντά σε πηγές θερμότητας.

Η συσκευή πρέπει να εγκαθίσταται από ειδικευμένο τεχνικό. Μόλις η θερμοκρασία στο εσωτερικό του καταψύκτη φτάσει τους -12°C, θα ξεκινήσει η παραγωγή πάγου.

Μην χρησιμοποιείτε υπερβολικά την παγομηχανή. Εάν επιχειρήσετε να πατήσετε πολλές φορές το κουμπί για τα παγάκια, θα απενεργοποιηθεί αυτόματα. Αυτό είναι φυσιολογικό και θα πρέπει να περιμένετε επί μία ώρα προτού επιχειρήσετε να το ξαναχρησιμοποιήσετε.

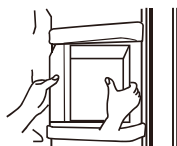
Μην χρησιμοποιείτε λεπτά ή εύθραυστα γυάλινα σκεύη.

Μην ακουμπάτε με τα χέρια σας ή με άλλα εξαρτήματα το στόμιο από το οποίο βγαίνουν τα παγάκια, για να αποφεύγονται οι τραυματισμοί ή οι βλάβες.

Εικ.2-8



Εικ.2-9



Εικ.2-10



### Πώς λειτουργεί η παγομηχανή

Σε κάθε κύκλο παράγονται 8 παγάκια. Η ικανότητα της παγομηχανής εξαρτάται από τη θερμοκρασία του καταψύκτη, τη θερμοκρασία περιβάλλοντος στο οποίο βρίσκεται η συσκευή και από το πόσο συχνά ανοίγετε την πόρτα του καταψύκτη.

Μην φυλάσσετε τα πρώτα παγάκια που παράγονται αμέσως μόλις τεθεί σε λειτουργία η συσκευή ή μετά από παρατεταμένο χρονικό διάστημα εκτός λειτουργίας. Να απορρίπτετε αυτά τα παγάκια.

Για να βεβαιωθείτε ότι ο δίσκος για τα παγάκια είναι εντελώς γεμάτος, θα πρέπει κατά διαστήματα να τακτοποιείτε εσείς τα παγάκια.

Ορισμένα παγάκια μπορεί να κολλήσουν μεταξύ τους όταν πέσουν στο κουτί αποθήκευσης – θα πρέπει να τα ξεκολλάτε για να εκμεταλλευτείτε τη μέγιστη χωρητικότητα της παγοθήκης.

### Home Bar

Για να ανοίξετε το bar, πιέστε το πλήκτρο (Εικ.2-7).

Το home bar μπορεί να χρησιμοποιηθεί χωρίς να ανοίξετε την πόρτα της συσκευής και κατά συνέπεια εξοικονομείτε ενέργεια.

Μπορείτε να τοποθετείτε ποτά και τρόφιμα στο home bar (Εικ. 2-8).

Μην αφαιρείτε το εσωτερικό κάλυμμα του home bar (Εικ.2-9), καθώς δεν λειτουργεί αν αφαιρεθεί αυτό το κάλυμμα.

Μην αφήνετε τα παιδιά να χρησιμοποιούν το home bar (Εικ. 2-10), καθώς υφίσταται κίνδυνος τραυματισμού.

Αν δεν κλείσετε την πόρτα σωστά, το σύστημα προειδοποίησης ενεργοποιείται.

## Πρώτη χρήση της παγομηχανής/του διανεμητή νερού

- Μην καταναλώνετε τα πρώτα επτά (περίπου) ποτήρια νερό, καθώς ενδέχεται να υπάρχει σκόνη και/ή ακαθαρσίες στους σωλήνες νερού.

Κατ' αυτόν τον τρόπο διασφαλίζεται ότι οι σωλήνες είναι καθαροί. Εάν έχετε αμφιβολίες, συνεχίστε να χρησιμοποιείτε το διανεμητή έως ότου εξέλθει καθαρό νερό.

### Θόρυβοι κατά την παραγωγή πάγου

Η διαδικασία παραγωγής πάγου μπορεί να είναι θορυβώδης. Ενδέχεται να ακούτε τον πάγο να πέφτει στο χώρο αποθήκευσης. Αυτό είναι απολύτως φυσιολογικό.

### Φύλαξη για μεγάλα χρονικά διαστήματα

Ο πάγος που φυλάσσεται για μεγάλο χρονικό διάστημα μπορεί να γίνει αδιαφανής και να έχει περίεργη οσμή. Συνιστούμε να πετάτε αυτόν τον πάγο, να αφαιρείτε και να καθαρίζετε την παγοθήκη. Αφήστε το δίσκο να στεγνώσει καλά και να κρυώσει προτού τον επανατοποθετήσετε στη συσκευή, για να μην κολλήσει ο πάγος.

### Διακοπή της παραγωγής πάγου

Εάν δεν θέλετε να παράγεται πάγος για μεγάλο χρονικό διάστημα (π.χ. το χειμώνα) μπορείτε να κλείσετε τη βαλβίδα που συνδέει την παροχή νερού με τη συσκευή. Συνιστάται να καθαρίζετε την παγοθήκη, να τη στεγνώνετε προσεκτικά και να την τοποθετείτε και πάλι στη συσκευή – με αυτόν τον τρόπο αποφεύγεται η δημιουργία οσμών.

### Εγκατάσταση/αφαίρεση του δίσκου φύλαξης για τα παγάκια

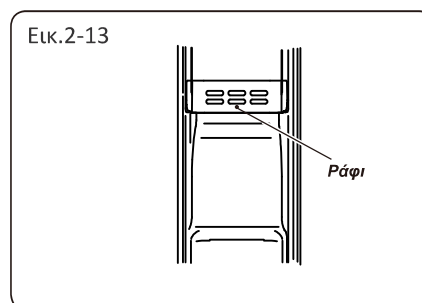
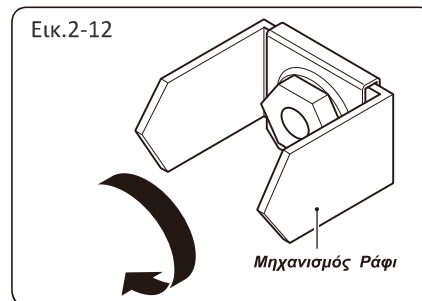
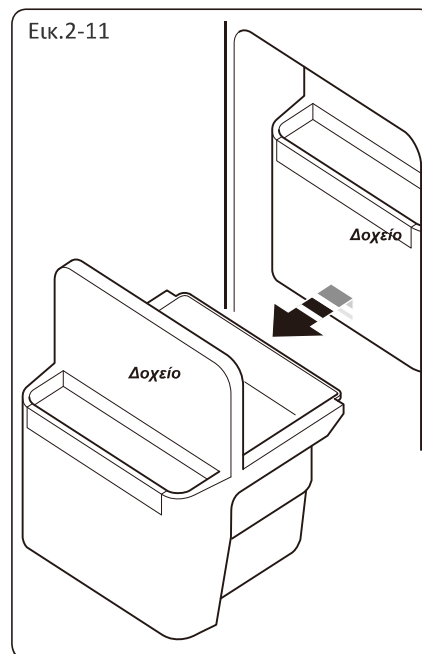
Για να αφαιρέσετε την παγοθήκη, πιέστε το επάνω μέρος του συρταριού και ταυτόχρονα τραβήξτε το κάτω μέρος, ελευθερώνοντας τη μονάδα (Εικ. 2.11).

Εάν η παγοθήκη δεν μπορεί να τοποθετηθεί εύκολα, αφαιρέστε την και στρέψτε τον μηχανισμό με σπирάλ κατά 90° (Εικ. 2-12) Στη συνέχεια, επανεγκαταστήστε την παγοθήκη, φροντίζοντας ο πείρος εμπλοκής του δίσκου να μπαίνει στη σχισμή του ραφίου.

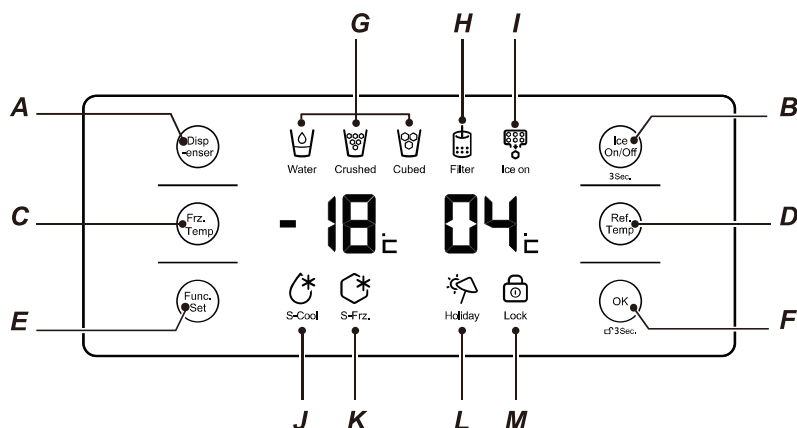
### Εάν η παγομηχανή δεν λειτουργεί σωστά

Η χωρητικότητα της παγοθήκης αντιστοιχεί στα παγάκια που μπορεί να δημιουργήσει η συσκευή σε μία μέρα. Κατά καιρούς, μπορεί να μένουν μερικά παγάκια μέσα στη θήκη. Εάν τα παγάκια κολλήσουν, η παγομηχανή δεν θα λειτουργεί σωστά. Για να αποφύγετε αυτό το πρόβλημα, αφαιρέστε την παγοθήκη και τακτοποιήστε τα παγάκια. Αφαιρέστε τα παγάκια που δεν μπορείτε να ξεκολλήσετε.

- Να διατηρείτε πάντα καθαρό το στόμιο από το οποίο βγαίνουν τα παγάκια και φροντίζετε να μην υπάρχουν εμπόδια.
- Αν αφαιρέσετε την παγομηχανή θα έχετε περισσότερο χώρο για τα τρόφιμα. Μπορείτε επίσης να τοποθετήσετε το παρεχόμενο επιπλέον ράφι φιαλών (Εικ. 2-13).



## Λειτουργία ψυγείου/ κατάψυξης



- A – Πλήκτρο επιλογής διανεμητή
- B – Πλήκτρο ενεργοποίησης/ απενεργοποίησης παγομηχανής
- C - Πλήκτρο ρύθμισης θερμοκρασίας κατάψυξης
- D - Πλήκτρο ρύθμισης θερμοκρασίας ψύξης
- E – Πλήκτρο επιλογής λειτουργίας
- F – Πλήκτρο επιβεβαίωσης λειτουργίας

- G – Εικονίδιο κατάστασης διανεμητή
- H – Εικονίδιο κατάστασης φίλτρου
- I – Εικονίδιο λειτουργίας παγομηχανής
- J - Πλήκτρο Quick chill
- K - Εικονίδιο Quick freezing
- L - Εικονίδιο Holiday
- M - Εικονίδιο κλειδώματος

**ΠΡΟΣΟΧΗ:** Δεν μπορείτε να ρυθμίσετε τη θερμοκρασία στις λειτουργίες Quick Freeze και Lock. Αν επιχειρήσετε να ρυθμίσετε τη θερμοκρασία σε αυτές τις λειτουργίες, η σχετική ένδειξη θα αναβοσβήσει και θα ακουστεί ένας χαρακτηριστικός ήχος.

### Λειτουργία κλειδώματος

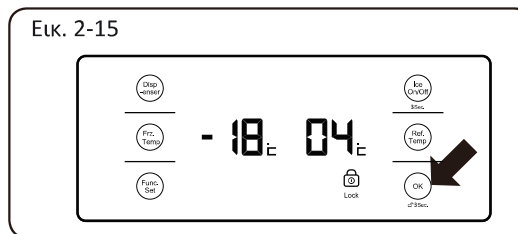
Αυτή η λειτουργία κλειδώνει τις ρυθμίσεις θερμοκρασίας και λειτουργίας. Όταν ενεργοποιηθεί, αναβοσβήνει το σχετικό εικονίδιο και ακούγεται ένας χαρακτηριστικός ήχος.

### Κλείδωμα

Πιέστε και κρατήστε πιεσμένο το πλήκτρο 'OK για 3 δευτερόλεπτα (Εικ. 2-15). Το εικονίδιο LOCK ανάβει.

### Ξεκλείδωμα

Πιέστε και κρατήστε πιεσμένο το πλήκτρο 'OK για 3 δευτερόλεπτα. Το εικονίδιο LOCK σβήνει.



### Λειτουργία Holiday

**ΠΡΟΣΟΧΗ:** Μην ξεχνάτε να απομακρύνετε τα τρόφιμα που χαλάνε από τη συσκευή προτού φύγετε για παρατεταμένες διακοπές.

Αυτή η λειτουργία απενεργοποιεί το διαμέρισμα του ψυγείου, χωρίς ωστόσο να επηρεάζεται η λειτουργία της κατάψυξης. Σε αυτή τη λειτουργία, η θερμοκρασία ψύξης ρυθμίζεται αυτόματα στους 17 °C.

### Ενεργοποίηση

Πιέστε το πλήκτρο FUNC SET για να επιλέξετε τη λειτουργία 'HOLIDAY' και πιέστε το πλήκτρο OK για επιβεβαίωση. Το σχετικό εικονίδιο ανάβει. (Εικ. 2-16).

Εικ.2-16



### Απενεργοποίηση

Πιέστε το πλήκτρο FUNC SET για να επιλέξετε τη λειτουργία 'HOLIDAY' και πιέστε το πλήκτρο OK για επιβεβαίωση. Το σχετικό εικονίδιο σβήνει.

### Λειτουργία Quick Cool

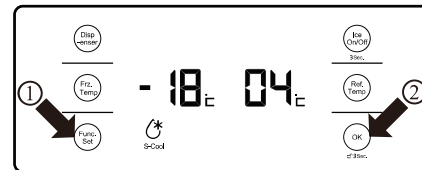
Αυτή η λειτουργία ψύζει τα τρόφιμα ταχύτερα. Χρησιμοποιήστε αυτή τη λειτουργία πριν τοποθετήσετε μεγάλες ποσότητες νωπών τροφίμων στο διαμέρισμα ψύξης.

Η λειτουργία απενεργοποιείται αυτόματα μόλις επιτευχθεί η καθορισμένη θερμοκρασία.

### Ενεργοποίηση

Πιέστε το πλήκτρο FUNC SET για να επιλέξετε τη λειτουργία 'Quick Cool' και πιέστε το πλήκτρο OK για επιβεβαίωση. Το σχετικό εικονίδιο ανάβει. (Εικ. 2-17).

Εικ.2-17



### Απενεργοποίηση

Πιέστε το πλήκτρο FUNC SET για να επιλέξετε τη λειτουργία 'Quick Cool' και πιέστε το πλήκτρο OK για επιβεβαίωση. Το σχετικό εικονίδιο σβήνει.

### Λειτουργία Quick Freeze

Αυτή η λειτουργία καταψύχει τα τρόφιμα σε συντομότερο χρονικό διάστημα για να διατηρούνται τα θρεπτικά τους συστατικά.

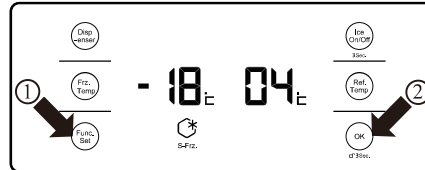
Η λειτουργία απενεργοποιείται αυτόματα μόλις επιτευχθεί η καθορισμένη θερμοκρασία.

Χρησιμοποιήστε αυτή τη λειτουργία πριν τοποθετήσετε μεγάλες ποσότητες νωπών τροφίμων στην κατάψυξη. Συνιστούμε να ενεργοποιήσετε τη λειτουργία 12 ώρες πριν την τοποθέτηση των τροφίμων.

### Ενεργοποίηση

Πιέστε το πλήκτρο FUNC SET για να επιλέξετε τη λειτουργία 'Quick Freeze' και πιέστε το πλήκτρο OK για επιβεβαίωση. Το σχετικό εικονίδιο ανάβει. (Εικ. 2-18)..

Εικ.2-18



### Απενεργοποίηση

Πιέστε το πλήκτρο FUNC SET για να επιλέξετε τη λειτουργία 'Quick Freeze' και πιέστε το πλήκτρο OK για επιβεβαίωση. Το σχετικό εικονίδιο σβήνει.

### Ρύθμιση θερμοκρασίας στο διαμέρισμα ψύξης

Για να προσαρμόσετε τη θερμοκρασία του ψυγείου, πατήστε το πλήκτρο 'Ref. Temp' (Εικ. 2-19). Η ένδειξη θερμοκρασίας αρχίζει να αναβοσβήνει.

Εικ.2-19



Πιέστε επαναλαμβανόμενα το πλήκτρο 'Ref. Temp' για να ρυθμίσετε τη θερμοκρασία από 09 °C έως 01 °C.

Αν το πλήκτρο δεν πιεστεί για 5 δευτερόλεπτα, η ρύθμιση αποθηκεύεται. Η θερμοκρασία αποθηκεύεται

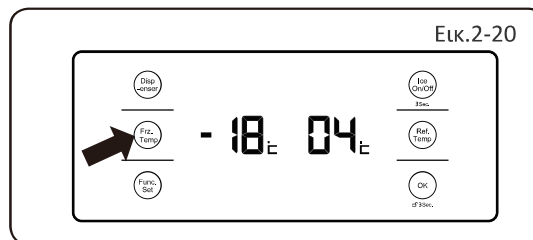
και αν πιέσετε οποιοδήποτε άλλο πλήκτρο ενώ αναβοσβήνει η ένδειξη.

### Ρύθμιση θερμοκρασίας στο διαμέρισμα κατάψυξης

Πιέστε το πλήκτρο 'Frz. Temp' (Εικ. 2-20). Η ένδειξη θερμοκρασίας αρχίζει να αναβοσβήνει.

Πιέστε το πλήκτρο 'Frz. Temp' επαναλαμβανόμενα για να ρυθμίσετε τη θερμοκρασία από -14 °C έως -24 °C.

Αν το πλήκτρο δεν πιεστεί για 5 δευτερόλεπτα, η ρύθμιση αποθηκεύεται. Η θερμοκρασία αποθηκεύεται και αν πιέσετε οποιοδήποτε άλλο πλήκτρο ενώ αναβοσβήνει η ένδειξη.



### Χρήση διανεμητή νερού και πάγου

Αυτό το εξάρτημα έχει τρεις δυνατές χρήσεις. Παράγει θρυμματισμένο πάγο, κρύο νερό ή παγάκια.

Να διασφαλίζετε πάντα ότι κρατάτε το ποτήρι κοντά στο διανεμητή προτού κάνετε την επιλογή σας, για να αποφεύγονται οι διαρροές.

#### Παροχή θρυμματισμένου πάγου

1. Κρατήστε το ποτήρι κοντά στο διανεμητή.
2. Πατήστε το κουμπί για θρυμματισμένο πάγο.
3. Σπρώξτε ελαφρά το ποτήρι στο μοχλοδιακόπτη για να αρχίσει να πέφτει θρυμματισμένος πάγος στο ποτήρι.

#### Παγάκια

1. Κρατήστε το ποτήρι κοντά στο διανεμητή.
2. Πατήστε το κουμπί για παγάκια.
3. Σπρώξτε ελαφρά το ποτήρι στο μοχλοδιακόπτη για να αρχίσουν να πέφτουν παγάκια στο ποτήρι.

#### Παροχή κρύου νερού

1. Κρατήστε το ποτήρι κοντά στο διανεμητή.
2. Πατήστε το κουμπί για κρύο νερό.
3. Σπρώξτε ελαφρά το ποτήρι στο μοχλοδιακόπτη για να βγει κρύο νερό.

#### Σημειώσεις:

Όταν παρέχεται θρυμματισμένος πάγος: Ορισμένες φορές μπορεί να βγει θρυμματισμένος πάγος, ενώ έχετε επιλέξει τη ρύθμιση για παγάκια, καθώς ενδέχεται να έχει μείνει θρυμματισμένος πάγος στο μηχανισμό θραύσης. Αυτό είναι φυσιολογικό. Δοκιμάστε ξανά, έως ότου βγουν παγάκια. Εάν παρέχεται συχνά θρυμματισμένος πάγος, μπορεί να παρατηρήσετε ότι έχει σχηματιστεί πάγος γύρω από το εμπρός μέρος της παγοθήκης. Το σημείο αποψύχεται αυτόματα και δεν αποτελεί πρόβλημα.

Όταν παρέχεται κρύο νερό: Μετά την εγκατάσταση, ενδέχεται να μην διατίθεται αμέσως κρύο νερό. Αυτό οφείλεται στον αέρα που υπάρχει στους σωλήνες. Πατήστε το κουμπί παροχής κρύου νερού, έως ότου βγει νερό για να φύγει ο αέρας. Η διαδικασία αυτή μπορεί να διαρκέσει έως και δύο λεπτά. Το νερό που παρέχεται γίνεται ολοένα πιο κρύο σταδιακά. Το κρύο νερό δεν περιέχει πάγο. Εάν θέλετε πάγο θα πρέπει να τον προσθέσετε πριν από το νερό.

### **Ασφάλεια**

- Μη χρησιμοποιείτε υπερβολικά βαθιά, στενά, εύθραυστα ή λεπτά ποτήρια.
- Κρατήστε το ποτήρι όσο το δυνατόν πιο κοντά στο διανεμητή για να μην χυθεί το νερό, να μην πέσουν τα παγάκια ή να μην μπλοκάρει ο διανεμητής για τα παγάκια.
- Πέντε δευτερόλεπτα μετά την τελευταία φορά παροχής πάγου ή νερού, το προστατευτικό κάλυμμα του διανεμητή θα κλείσει παράγοντας έναν ήχο. Εξακολουθήστε να κρατάτε το ποτήρι επί 2-3 δευτερόλεπτα ακόμη (για πάγο), 1-2 δευτερόλεπτα (για νερό), αφού γεμίσετε το ποτήρι και απελευθερώστε το μοχλοδιακόπτη, καθώς μπορεί να παραχθεί επιπλέον νερό ή παγάκια.
- Να καθαρίζετε τακτικά τον διανεμητή.
- Εάν ο θρυμματισμένος πάγος ήταν η τελευταία επιλογή, ενδέχεται να παραχθεί θρυμματισμένος πάγος και όχι παγάκια.
- Μην τοποθετείτε ποτέ συσκευασμένα ποτά ή τρόφιμα στο εσωτερικό του διανεμητή, καθώς μπορεί να καταστραφεί ο μηχανισμός θραύσης.
- Μην αγγίζετε το διανεμητή και μην αφαιρείτε το κάλυμμα της παγομηχανής, προκειμένου να αποφεύγονται οι τυχαίοι τραυματισμοί ή πρόκληση βλάβης στη συσκευή.
- Η πρώτη παροχή νερού (επτά ποτήρια περίπου) και τα πρώτα παγάκια (20 κομμάτια περίπου) μετά από την πρώτη ενεργοποίηση της συσκευής ή μετά από παρατεταμένο διάστημα εκτός λειτουργίας δεν πρέπει να καταναλώνονται.
- Μην τοποθετείτε παγάκια που δεν έχουν παραχθεί από την παγομηχανή στο συρτάρι φύλαξης, προκειμένου να αποφεύγεται η καταστροφή του μηχανισμού.
- Η ανεπαρκής παροχή νερού μπορεί να δώσει πιο μικρά παγάκια. Η υπερβολική παροχή νερού μπορεί να δώσει μεγαλύτερα παγάκια, τα οποία μπορεί να κολλήσουν μεταξύ τους, να προκαλέσουν διαρροή και να φράξουν το διανεμητή. Πρέπει να ρυθμίσετε την στρόφιγγα ή να επικοινωνήσετε με ειδικευμένο τεχνικό.

### **Αυτόματη απόψυξη**

Δεν υπάρχει λόγος να αποψύχετε το ψυγείο, καθώς η συσκευή διαθέτει λειτουργία αυτόματης απόψυξης.

- **Μη χρησιμοποιείτε μηχανικές συσκευές για να επιταχύνετε τη διαδικασία απόψυξης, εκτός εάν συνιστώνται από τον κατασκευαστή.**

### **Λειτουργία ειδοποίησης**

Εάν η πόρτα μείνει ανοικτή για μεγάλο χρονικό διάστημα, θα ακουστεί ένα ηχητικό σήμα που σας υπενθυμίζει να την κλείσετε.

### **Απενεργοποίηση οθόνης**

Τριάντα δευτερόλεπτα μετά το τελευταίο πάτημα οποιουδήποτε κουμπιού, η οθόνη μένει κενή. Η οθόνη φωτίζεται με το άνοιγμα της πόρτας ή με το πάτημα οποιουδήποτε κουμπιού.

### 3. Συμβουλές συντήρησης τροφίμων

#### *Διατήρηση νωπών τροφίμων*

Διατηρείτε τη θερμοκρασία κάτω από τους 5°C.

Προσοχή στις ημερομηνίες ανάλωσης. Τα τρόφιμα με ημερομηνία λήξης αλλοιώνονται γρήγορα. Η κατανάλωσή τους μετά την πάροδο της ημερομηνίας λήξης είναι επικίνδυνη. Τα τρόφιμα με ημερομηνία ανάλωσης αλλοιώνονται λιγότερο γρήγορα. Είναι σκόπιμο να μην τα καταναλώνετε μετά την πάροδο αυτής της ημερομηνίας.

Βεβαιωθείτε ότι τα τρόφιμα που έχουν μαγειρευτεί και χρειάζεται να κρυώσουν, είναι σε θερμοκρασία δωματίου προτού τα τοποθετήσετε στη συσκευή. Βεβαιωθείτε ότι αυτά τα τρόφιμα φυλάσσονται σε κατάλληλα δοχεία.

Τα τρόφιμα πρέπει να πλένονται και να στεγνώνονται πριν τοποθετηθούν στο ψυγείο.

Ορισμένα τρόφιμα είναι σκόπιμο να φυλάσσονται στην αρχική τους συσκευασία. Βεβαιωθείτε ότι όλα τα τρόφιμα φυλάσσονται σε κατάλληλα δοχεία. Ορισμένα φρούτα και λαχανικά διατηρούνται καλύτερα συσκευασμένα.

Οι συσκευασίες των τροφίμων είναι σκόπιμο να αναγράφουν πληροφορίες για τα τρόφιμα.

Τα τρόφιμα που καταναλώνονται καθημερινά πρέπει να τοποθετούνται στο μπροστινό μέρος των ραφιών.

Βεβαιωθείτε ότι τα τρόφιμα φυλάσσονται κατά είδος (τα ωμά κρέατα με τα ωμά κρέατα, τα γαλακτοκομικά με τα γαλακτοκομικά) για να αποφεύγεται η μεταφορά οσμών και η επιμόλυνση. Τα ωμά κρέατα πρέπει να φυλάσσονται στο κάτω μέρος της συσκευής για να μην υπάρξει πιθανότητα να στάξουν σε τρόφιμα που δεν έχουν μαγειρευτεί. Τα υπόλοιπα τρόφιμα θα πρέπει να φυλάσσονται πάνω από το ωμό κρέας.

Συνιστάται να αφήνετε κενό μεταξύ των τροφίμων για σωστή κυκλοφορία του αέρα. Αυτό συμβάλει στην καλύτερη συντήρηση των τροφίμων.

Τα τρόφιμα δεν πρέπει να ακουμπούν στο πίσω τοίχωμα της συσκευής για να μην παγώσουν.

Στα ραπανάκια και σε άλλα παρόμοια λαχανικά είναι σκόπιμη η αφαίρεση των φύλλων πριν την τοποθέτηση στο ψυγείο. Αυτό συμβάλει στην αποφυγή απορρόφησης των θρεπτικών συστατικών από τα φύλλα.

Τοποθετείτε τα κατεψυγμένα τρόφιμα στο διαμέρισμα ψύξης για να αποψυχθούν. Η χαμηλή θερμοκρασία περιορίζει την ανάπτυξη βακτηριδίων.

Ορισμένα λαχανικά, όπως για παράδειγμα το κρεμμύδι, το σκόρδο, η μπανάνα και άλλα ριζωματικά λαχανικά, μπορούν να διατηρηθούν για μεγάλες χρονικές περιόδους σε θερμοκρασία περιβάλλοντος.

Το πεπόνι, ο ανανάς και η μπανάνα μπορούν να φυλαχθούν απευθείας την κατάψυξη μετά το καθάρισμα.

Η σωστή συσκευασία των νωπών τροφίμων, χρησιμοποιώντας τη σωστή θερμοκρασία και λαμβάνοντας υπ' όψιν την υγιεινή των τροφίμων, θα βελτιώσει την ποιότητα των νωπών τροφίμων που φυλάσσονται σε αυτή τη συσκευή.

Χρησιμοποιείτε πλαστικές σακούλες, αλουμινοχαρτο ή άλλα περιτυλίγματα για τρόφιμα, για να καλύπτετε νωπά τρόφιμα που δεν είναι συσκευασμένα έτσι ώστε να αποφεύγεται η μεταφορά οσμών και η επιμόλυνση.

Προτού αποθηκεύσετε είδη σε πολλαπλές συσκευασίες (π.χ. γιαούρτια) να αφαιρείτε τυχόν συσκευασία που δεν χρειάζεται.



- **Μην φυλάσσετε ποτέ στο εσωτερικό της συσκευής οτιδήποτε εύφλεκτο, ασταθές ή εκρηκτικό.**
- Τα ποτά με υψηλή περιεκτικότητα σε αλκοόλ θα πρέπει να τοποθετούνται κάθετα σε καλά σφραγισμένα μπουκάλια.
  - Τα ευαίσθητα τρόφιμα πρέπει να φυλάσσονται στο δροσερότερο τμήμα της συσκευής.
  - Προσπαθείτε να μην ανοίγετε πολύ συχνά την πόρτα.
  - Ρυθμίζετε το θερμοστάτη έτσι ώστε να διασφαλίζετε ότι τα τρόφιμα διατηρούν την κατάλληλη χαμηλή θερμοκρασία και αποφεύγετε την κατάψυξη μέσα στο ψυγείο. Χρησιμοποιώντας ένα θερμόμετρο θα μπορέσετε να διαπιστώσετε πόσο κρύα είναι η συσκευή. Τοποθετήστε το σε ένα ποτήρι με νερό και αφήστε το στο εσωτερικό της συσκευής για αρκετές ώρες, προκειμένου η ένδειξη να είναι αξιόπιστη.
  - Ορισμένα τρόφιμα περιέχουν φυσικά έλαια και οξέα (π.χ. κιτρικό οξύ) που μπορεί να καταστρέψουν το πλαστικό εάν χυθούν. Βεβαιωθείτε ότι αυτά τα τρόφιμα έχουν συσκευαστεί καταλλήλως.
  - Οι δυσάρεστες οσμές στο εσωτερικό του ψυγείου σημαίνουν ότι κάτι έχει χυθεί και χρειάζεται καθάρισμα. Χρησιμοποιώντας ζεστό νερό με διττανθρακική σόδα καθαρίστε το εσωτερικό της συσκευής και αφαιρέστε τους λεκέδες. (Βλ. την ενότητα «Καθαρισμός της συσκευής»).
  - Μην ξεχνάτε να απομακρύνετε τα τρόφιμα που χαλάνε από τη συσκευή προτού φύγετε για παρατεταμένες διακοπές.

## **Κατάψυξη νωπών τροφίμων**

Όπως με τη φύλαξη νωπών τροφίμων, η κατάλληλη συσκευασία, η σωστή θερμοκρασία και η υγιεινή τροφίμων βελτιώνουν την ποιότητα των τροφίμων που καταψύχετε.

Μην τοποθετείτε ζεστά τρόφιμα στην κατάψυξη. Αφήστε τα πρώτα να έλθουν σε θερμοκρασία δωματίου.

Βεβαιωθείτε ότι όλα τα τρόφιμα που προορίζονται για κατάψυξη είναι υψηλής ποιότητας και κατάλληλα για κατάψυξη.

Χρησιμοποιείτε την κατάλληλη συσκευασία (πλαστικές σακούλες κ.λπ.) για να φυλάσσετε τα τρόφιμα. Βεβαιωθείτε ότι η συσκευασία είναι αεροστεγής ή καλά σφραγισμένη. Οι διαρροές από τη συσκευασία προκαλούν αφυδάτωση των προϊόντων και οδηγούν σε απώλεια πολύτιμων βιταμινών.

Οι συσκευασίες πρέπει να είναι στεγνές για την αποφυγή σχηματισμού πάγου.

Να σημειώνετε στα πακέτα το είδος των τροφίμων που περιέχουν, καθώς και την ημερομηνία κατάψυξης.

Τα τρόφιμα πρέπει να καταψύχονται γρήγορα και γι' αυτό είναι καλύτερα να καταψύχετε μικρές ποσότητες όποτε είναι δυνατόν και να διασφαλίζετε ότι έχουν κρυσταλλώσει καλά πριν από τη φύλαξη. Το συνιστώμενο μέγιστο βάρος για κάθε μερίδα είναι 2,5 kg.

Μην αφήνετε τα νωπά τρόφιμα να έρχονται σε επαφή με τα τρόφιμα που έχουν ήδη καταψυχθεί. Εάν πρέπει να καταψύχετε νωπά τρόφιμα καθημερινά, φροντίζετε να δημιουργείτε μικρές μερίδες για να αποφεύγεται κάτι τέτοιο.

Μην υπερβαίνετε το μέγιστο όγκο για κατάψυξη –ορίζεται στα 10kg/24 ώρες– για λεπτομέρειες, ανατρέξτε στην πινακίδα δεδομένων ).

Αποψύχετε μόνο τα τρόφιμα που πρόκειται να καταναλώσετε άμεσα. Τα αποψυγμένα τρόφιμα πρέπει να καταναλωθούν εντός 24 ωρών ή αφού τα μαγειρέψετε να τα καταψύξετε εκ νέου.

Μην τοποθετείτε ταυτόχρονα πολύ μεγάλες ποσότητες νωπών τροφίμων στην κατάψυξη. Αυτό μπορεί να υπερβεί την ικανότητα κατάψυξης της συσκευής (βλέπε Τεχνικά Χαρακτηριστικά).

Για τη συντήρηση ήδη κατεψυγμένων τροφίμων ακολουθήστε τις ακόλουθες υποδείξεις:

Ακολουθείτε τις υποδείξεις του παρασκευαστή σχετικά με το διάστημα διατήρησης. Μην παραβιάζετε αυτές τις υποδείξεις.

Καταναλώνετε τα τρόφιμα σε μικρό χρονικό διάστημα για να διατηρήσετε την ποιότητά τους.

Αγοράζετε κατεψυγμένα τρόφιμα που έχουν συντηρηθεί σε θερμοκρασία κάτω των -18 °C.

Αποφεύγετε να αγοράζετε τρόφιμα που περιέχουν πάγο στη συσκευασία. Αυτό υποδεικνύει ότι τα προϊόντα ενδέχεται να αποψύχθηκαν μερικώς και να καταψύχθηκαν ξανά. Η άνοδος της θερμοκρασίας επηρεάζει την ποιότητα των τροφίμων.

Εάν υπάρξει διακοπή ρεύματος ή ο καταψύκτης/το ψυγείο υποστούν βλάβη για οποιοδήποτε χρονικό διάστημα, ενδέχεται να χρειαστεί να απομακρύνετε τα τρόφιμα από τον καταψύκτη και να τα τοποθετήσετε σε δροσερό, καθαρό χώρο (π.χ. στο γκαράζ ή στο μπαλκόνι), έως ότου επανέλθει το ρεύμα ή επισκευαστεί η συσκευή. Για να προλαμβάνετε τις αδικαιολόγητες αυξήσεις θερμοκρασίας, θα πρέπει να τυλίγετε τα τρόφιμα σε φύλλα μονωτικού υλικού, όπως η εφημερίδα, προκειμένου να διατηρείται η θερμοκρασία τους. Επίσης, είναι σημαντικό όσα τρόφιμα επηρεάζονται από αυτή την κατάσταση να καταναλώνονται ή να μαγειρεύονται και να καταψύχονται εκ νέου (όταν υπάρχει η δυνατότητα) αμέσως, έτσι ώστε να αποφεύγονται οι κίνδυνοι για την υγεία.

## 4. Εγκατάσταση

### Τοποθέτηση της συσκευής

#### Επιλογή της σωστής θέσης

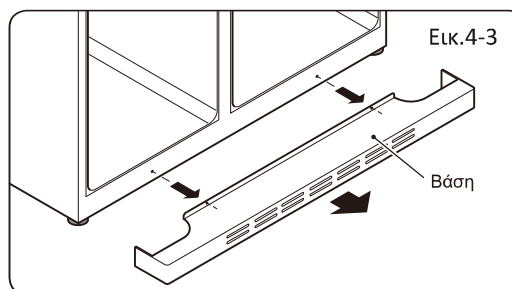
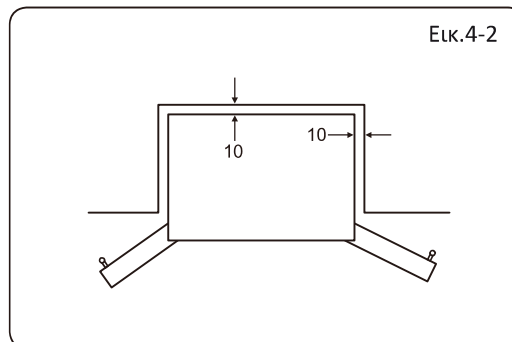
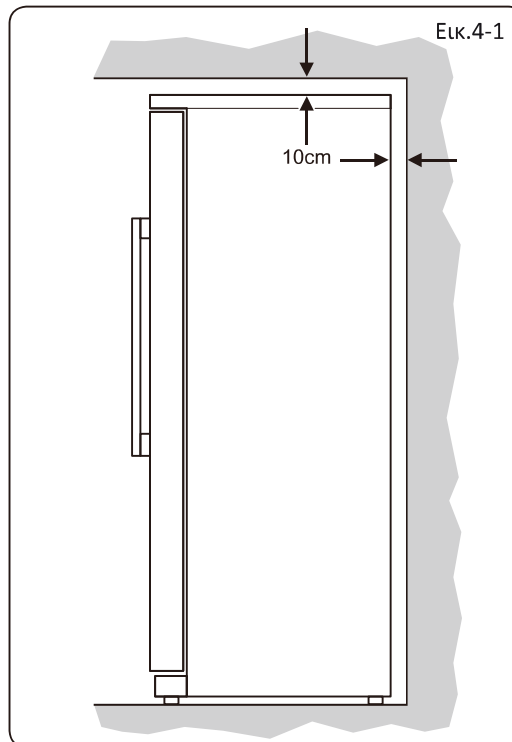
Αυτή η συσκευή πρέπει να εγκαθίσταται σε χώρο χωρίς υγρασία, ο οποίος αερίζεται καλά. Προκειμένου να διασφαλιστεί ο επαρκής αερισμός, όλες οι πλευρές της συσκευής πρέπει να απέχουν τουλάχιστον 10 cm από τα ντουλάπια της κουζίνας (Εικ. 4-1). Οποιοσδήποτε μονάδες τοποθετούνται επάνω από τη συσκευή πρέπει να απέχουν 10 cm, επιτρέποντας τον επαρκή αερισμό της συσκευής.

Εάν η συσκευή βρίσκεται κοντά σε γωνία, πρέπει να υπάρχει αρκετός χώρος για το άνοιγμα της πόρτας και την αφαίρεση των ραφιών (Εικ. 4-2).

Αυτή η συσκευή πρέπει να απέχει τουλάχιστον 10 cm από την ηλεκτρική κουζίνα ή την κουζίνα γκαζιού και 30 cm από θερμάστρες κάρβουνου ή πετρελαίου. Εάν αυτό δεν είναι δυνατό, φροντίστε να χρησιμοποιείται η κατάλληλη μόνωση.

Αποφύγετε την έκθεση της συσκευής στο άμεσο ηλιακό φως και σε πηγές θερμότητας (καλοριφέρ, θερμαντικά σώματα, κουζίνες κ.λπ.).

Εάν η συσκευή βρίσκεται σε ψυχρό περιβάλλον (αποθήκη, έξω από το σπίτι, γκαράζ κ.λπ.) θα επηρεαστεί η απόδοσή της. Ενδέχεται να διαπιστώσετε ότι η απόδοση της συσκευής δεν είναι σταθερή και αυτό μπορεί να καταστρέψει τα τρόφιμα. Διασφαλίστε ότι η θερμοκρασία περιβάλλοντος δεν είναι χαμηλότερη από 10 °C.



## Αφαίρεση και τοποθέτηση πόρτας

Αν χρειαστεί να αφαιρέσετε τις πόρτες του ψυγείου, ακολουθήστε τις ακόλουθες οδηγίες.

Για την ασφάλειά σας, συνιστάται η διαδικασία να γίνει από δύο ή περισσότερα άτομα.

Ξεβιδώστε τις 2 βίδες που συγκρατούν τη βάση και αφαιρέστε την (Εικ. 4-3).

### Πόρτα καταψύκτη

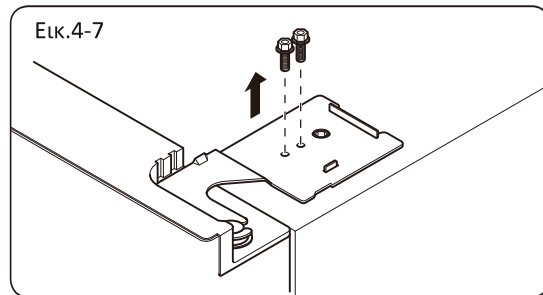
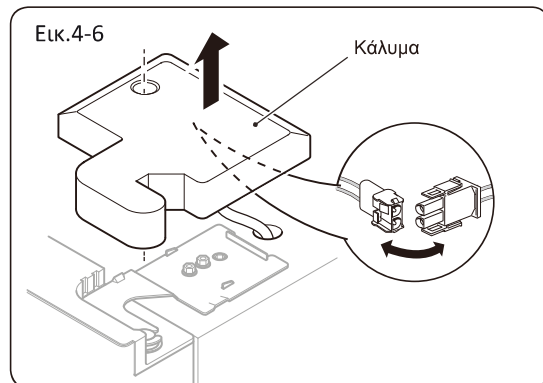
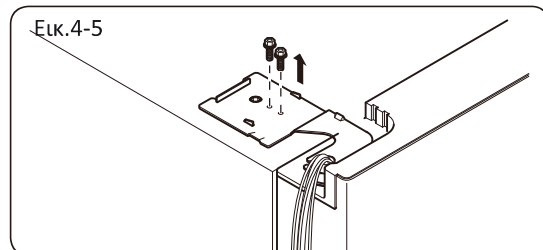
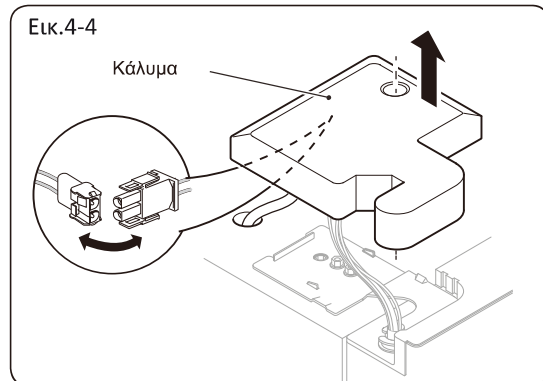
1. Ξεβιδώστε τη βίδα του καλύμματος του μεντεσέ και αφαιρέστε το κάλυμμα (Εικ. 4-4). Αποσυνδέστε όλα τα καλώδια εκτός από τη γείωση.
2. Ξεβιδώστε τις 2 βίδες που συγκρατούν τον πάνω μεντεσέ και αφαιρέστε τον (Εικ. 4-5).
3. Ανασηκώστε την πόρτα για να την αφαιρέσετε.

### Πόρτα ψυγείου

1. Ξεβιδώστε τη βίδα του καλύμματος του μεντεσέ και αφαιρέστε το κάλυμμα (Εικ. 4-6). Αποσυνδέστε όλα τα καλώδια εκτός από τη γείωση.
2. Ξεβιδώστε τις 2 βίδες που συγκρατούν τον πάνω μεντεσέ και αφαιρέστε τον (Εικ. 4-7).
3. Ανασηκώστε την πόρτα για να την αφαιρέσετε.

### Τοποθέτηση πόρτας

Επαναλάβετε την διαδικασία αντίστροφα.

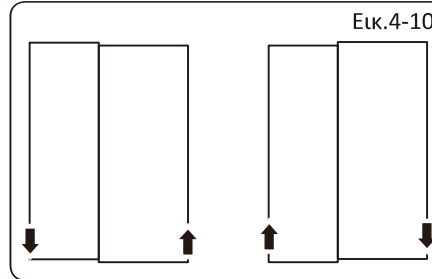
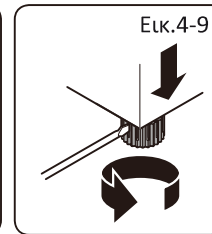
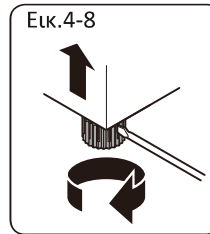


### **Οριζοντίωση ψυγείου και ρύθμιση πορτών**

Βεβαιωθείτε ότι η συσκευή είναι τοποθετημένη σε σταθερό επίπεδο δάπεδο. Αν το ψυγείο είναι τοποθετηθεί σε ανώμαλη επιφάνεια, πρέπει να χρησιμοποιηθούν επίπεδα και πυράντοχα υλικά.

Η συσκευή διαθέτει ρυθμιζόμενα πόδια στο εμπρός μέρος, τα οποία μπορούν να χρησιμοποιηθούν για την οριζοντίωση της συσκευής.

Τοποθετήστε ένα κατσαβίδι στις σχισμές που υπάρχουν στο ρυθμιζόμενο πόδι. Στρέψτε το κατσαβίδι δεξιόστροφα για να ανυψώσετε το πόδι (Εικ. 4-8) και αριστερόστροφα για να το χαμηλώσετε (Εικ. 4-9).

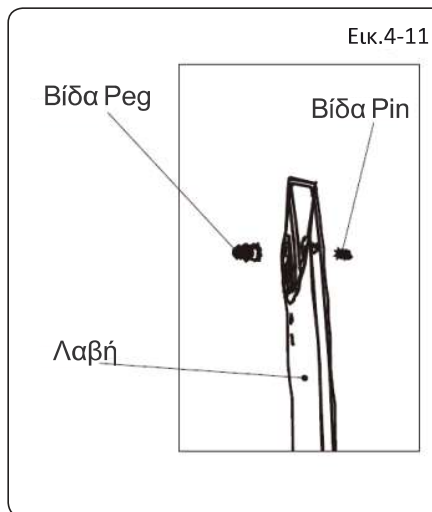


### **Ευθυγράμμιση πορτών**

Ενδέχεται να πρέπει να ευθυγραμμίσετε τις πόρτες προτού συνδέσετε τη συσκευή στην παροχή ηλεκτρικού ρεύματος. Αυτό μπορεί να γίνει ρυθμίζοντας τα πόδια (Εικ. 4-8 και 4-9).

Εάν η πόρτα του καταψύκτη βρίσκεται χαμηλότερα από την πόρτα του ψυγείου, τοποθετήστε ένα κατσαβίδι στις σχισμές που υπάρχουν στο εμπρός αριστερό ρυθμιζόμενο πόδι και στρέψτε δεξιόστροφα, έως ότου η πόρτα του καταψύκτη ανυψωθεί και ευθυγραμμιστεί με την πόρτα του ψυγείου. (Εικ. 4-10).

Εάν η πόρτα του ψυγείου βρίσκεται χαμηλότερα από την πόρτα του καταψύκτη, τοποθετήστε ένα κατσαβίδι στις σχισμές που υπάρχουν στο εμπρός δεξί ρυθμιζόμενο πόδι και στρέψτε δεξιόστροφα, έως ότου η πόρτα του ψυγείου ανυψωθεί και ευθυγραμμιστεί με την πόρτα του καταψύκτη. (Εικ. 4-10).



### **Τοποθέτηση λαβών**

Στερεώστε τις λαβές των πορτών πάνω στους πείρους στερέωσης που είναι ήδη τοποθετημένοι στη κάθε πόρτα (Εικ.4-11)

Χρησιμοποιήστε το κλειδί Allen από την θήκη Οδηγιών

1.Εγκαταστήστε την λαβήσταθερά πάνω στους πείρους στερέωσης

2.Χρησιμοποιώντας το κλειδί Allen, σφίξτε τη βίδα στον πείρο στερέωσης της λαβής στην πόρτα.

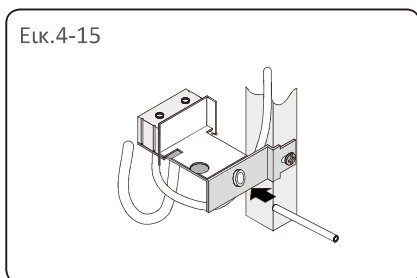
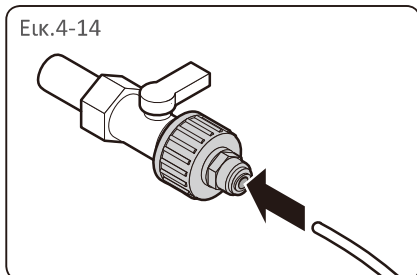
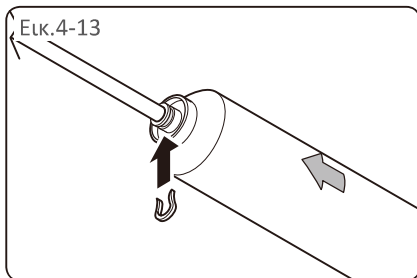
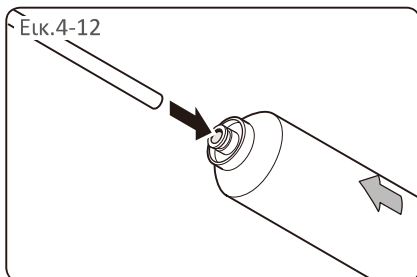
Προσοχή να μην σφίξετε πάρα πολύ την βίδα Pin !

### **Ηλεκτρική σύνδεση**

Συνδέστε τη συσκευή στην παροχή ηλεκτρικού ρεύματος (220 – 240V ~ 50Hz) χρησιμοποιώντας το φικ και το καλώδιο που είναι τοποθετημένα πάνω της. Οι ηλεκτρολογικές συνδέσεις πρέπει να γίνονται σύμφωνα με τους τοπικούς κανόνες.

- Η συσκευή πρέπει να συνδέεται σε γειωμένη πρίζα.
- Μετά την τοποθέτηση της συσκευής, να διασφαλίζετε πάντα ότι υπάρχει πρόσβαση στο φικ.

## Σύνδεση παροχής νερού



ίντσας.

Σπρώξτε το σωλήνα στη βαλβίδα νερού στην πίσω πλευρά του ψυγείου (Εικ. 4-15).

Ανοίξτε τη βαλβίδα νερού για να ξεπλύνετε το σωλήνα, ελέγξτε για τυχόν διαρροή στις ενώσεις και αφήστε το νερό να τρέξει μέχρι να καθαρίσει.

### Πρώτη χρήση διανεμητή νερού

Πριν από την πρώτη χρήση, πιέστε διακόπτη παροχής νερού αρκετές φορές για 1 λεπτό. Μην πιέζετε για περισσότερο από 1 λεπτό για να αποφευχθεί η υπερθέρμανση της ηλεκτρομαγνητικής βαλβίδας. Θα αρχίσει να ρέει κρύο νερό.

Συνιστάται η εγκατάσταση της συσκευής από εξειδικευμένο τεχνικό.

**Σημείωση:** Για περισσότερες λεπτομέρειες εγκατάστασης, ανατρέξτε στις οδηγίες που παρέχονται με το φίλτρο νερού.

- Η πίεση του κρύου νερού που παρέχεται στην αυτόματη παγομηχανή είναι μεταξύ 0,15 έως 0,6 Μρα.
- Ο σωλήνας νερού πρέπει να έχει κατάλληλο μήκος, συνήθως 8 μέτρα, και δεν πρέπει να είναι τσακισμένος. Αν ο σωλήνας νερού είναι πολύ μεγάλος, τότε η πίεση του νερού θα μειωθεί, επηρεάζοντας την περιεκτικότητα της συσκευής σε πάγο και κρύο νερό.
- ΜΗΝ συνδέετε την παροχή νερού, όταν η θερμοκρασία του περιβάλλοντος είναι κάτω από τους 0 °C, γιατί ο σωλήνας νερού μπορεί να παγώσει.
- Η σύνδεση πρέπει να γίνει με παροχή πόσιμου νερού.
- Κρατήστε το σωλήνα του νερού μακριά από πηγές θερμότητας.
- Το φίλτρο νερού φιλτράρει τις ακαθαρσίες του νερού. Δεν το αποστειρώνει, και κατά συνέπεια ο σωλήνας νερού πρέπει να συνδεθεί με παροχή πόσιμου νερού. Μην προσθέτετε νερό με το χέρι. Εάν η παγομηχανή είναι ενεργοποιημένη, αλλά η συσκευή δεν είναι συνδεδεμένη με το νερό, η παγομηχανή δεν θα λειτουργήσει.

### Τοποθέτηση φίλτρου

Μετρήστε και κόψτε δύο τεμάχια σωλήνα για τη σύνδεση του φίλτρου με το ψυγείο-καταψύκτη και για τη σύνδεση του φίλτρου με την παροχή νερού. Βεβαιωθείτε ότι έχετε επιτύχει ένα κάθετο κόψιμο χρησιμοποιώντας ένα αιχμηρό μαχαίρι.

Πιέστε έναν από τους σωλήνες μέσα στο φίλτρο νερού (Εικ. 4-12).

Ασφαλίστε το σωλήνα στο φίλτρο γλιστρώντας ένα κλιπ κλειδώματος στην αυλάκωση (Εικ. 4-13).

Επαναλάβετε τη διαδικασία στο άλλο άκρο του φίλτρου.

Συνδέστε το άκρο μέσα στο πλαστικό προσαρμογέα (Εικ. 4-14). Βιδώστε τον προσαρμογέα σε μια κατάλληλη παροχή νερού ½

## 5. Καθαρισμός και συντήρηση

### Απόψυξη

Δεν υπάρχει λόγος να αποψύχετε το ψυγείο, καθώς η συσκευή διαθέτει λειτουργία αυτόματης απόψυξης.

- Μη χρησιμοποιείτε μηχανικές συσκευές για να επιταχύνετε τη διαδικασία απόψυξης.

### Καθαρισμός

- Να αποσυνδέετε πάντα την παροχή ηλεκτρικού ρεύματος προτού ξεκινήσετε τον καθαρισμό.

Ο τακτικός καθαρισμός της συσκευής περιορίζει την πιθανότητα δημιουργίας οσμών.

Αδειάστε τη συσκευή από τα τρόφιμα και αφαιρέστε τα ράφια.

Μπορείτε να καθαρίσετε το εσωτερικό με ζεστό νερό και διττανθρακική σόδα, χρησιμοποιώντας μαλακό πανί. Φροντίστε να στεγνώσετε καλά το εσωτερικό με κατάλληλο πανί.

- Μην χρησιμοποιείτε ισχυρά αποξεστικά ή σκληρά καθαριστικά, καθώς ενδέχεται να καταστρέψουν το εσωτερικό της συσκευής.

Μπορείτε να καθαρίσετε τα ράφια και τα υπόλοιπα εξαρτήματα (πλαστικά και γυάλινα μέρη) στο νεροχύτη χρησιμοποιώντας απορρυπαντικό υγρό πιάτων και ζεστό νερό. Φροντίστε να ξεβγάλετε καλά τη σαπουνάδα απ' όλα τα μέρη και ότι έχουν στεγνώσει καλά προτού τα επανατοποθετήσετε στη συσκευή.

Διατηρείτε πάντα το λάστιχο της πόρτας καθαρό.

- Το ψυγείο είναι πολύ βαρύ. Όταν μετακινείτε το ψυγείο προσέξτε να μην προκαλέσετε φθορές στο δάπεδο. Μην γέρνετε το ψυγείο για να μην προκαλέσετε φθορές στο δάπεδο.
- Μην ψεκάσετε ή ξεπλένετε το ψυγείο με νερό ή άλλα υγρά. Αυτό ενδέχεται να προκαλέσει βλάβη στα ηλεκτρικά μέρη.
- Καθαρίζετε τα ηλεκτρικά μέρη με στεγνό πανί (φως ή διακόπτες).
- Μην καθαρίζετε το ψυγείο με σκληρή βούρτσα.
- Μην καθαρίζετε με σκόνη απορρυπαντικού, βενζίνη, οξικό αμυλεστέρα, ακετόνη και παρόμοια οργανικά διαλύματα, όξινα ή αλκαλικά διαλύματα.
- Για να μην κολλήσουν τα χέρια σας στα μεταλλικά μέρη, μην τα αγγίζετε με νωπά χέρια.
- ΜΗΝ καθαρίζετε τα ράφια με καυτό νερό, καθώς ενδέχεται να σπάσουν.
- Μετά την τοποθέτηση νέου φίλτρου, απορρίψτε όλο τον πάγο που έχει δημιουργηθεί κατά τις πρώτες 24 ώρες.

### Διακοπή ρεύματος

Σε περίπτωση διακοπής ρεύματος, τα τρόφιμα μπορούν να παραμείνουν κρύα με ασφάλεια επί 5 ώρες περίπου.

Εάν υπάρξει παρατεταμένη διακοπή ρεύματος ενδέχεται να χρειαστεί να βγάλετε τα τρόφιμα από το θάλαμο του καταψύκτη και να τα τοποθετήσετε σε δροσερό χώρο, ενώ τα έχετε τυλιγμένα σε εφημερίδες για να διατηρηθεί η κατάλληλη θερμοκρασία.

Μόλις επανέλθει το ρεύμα, επανατοποθετήστε τα τρόφιμα στο θάλαμο του καταψύκτη.

Εάν τα τρόφιμα αρχίσουν να αποψύχονται ή η διακοπή ρεύματος διαρκέσει περισσότερο από το αναμενόμενο, συνιστάται να καταναλώσετε τα τρόφιμα που βγάλατε από τον καταψύκτη.

Εάν η διακοπή ρεύματος είναι σύντομη, τα περισσότερα τρόφιμα μπορούν να παραμείνουν στο θάλαμο του καταψύκτη –αυτός είναι ο καλύτερος τρόπος για να διατηρηθεί η θερμοκρασία– αφού τοποθετήσετε γύρω τους παγάκια από την παγοθήκη. Αυτό αποτελεί επίσης ιδανική λύση σε περίπτωση προειδοποιημένης διακοπής ρεύματος.

Σε περίπτωση διακοπής ρεύματος οποιουδήποτε είδους, μην προσθέτετε τρόφιμα στον καταψύκτη.

### ***Διακοπή χρήσης***

Εάν δεν χρησιμοποιείτε τη συσκευή για μεγάλο χρονικό διάστημα, συνιστάται να αποσυνδέετε την παροχή ρεύματος, να απομακρύνετε όλα τα τρόφιμα, να καθαρίζετε το εσωτερικό της συσκευής και να αφήνετε μισάνοιχτη την πόρτα. Με αυτόν τον τρόπο εξοικονομείτε ενέργεια και, επίσης, αποτρέπεται η δημιουργία οσμών κλεισούρας.



## 6. Αντιμετώπιση προβλημάτων

**Πριν καλέσετε τεχνικό, διαβάστε τον παρακάτω πίνακα αντιμετώπισης προβλημάτων. Αυτό μπορεί να εξοικονομήσει χρόνο και χρήμα.**

Η συσκευή δεν λειτουργεί όταν συνδεθεί για πρώτη φορά στην παροχή ηλεκτρικού ρεύματος.

- Ελέγξτε εάν η υποδοχή της πρίζας έχει ελαττώματα, συνδέοντας μια συσκευή που γνωρίζετε ότι λειτουργεί.
- Βεβαιωθείτε ότι έχετε θέσει σε λειτουργία («on») τη συσκευή.
- Η τάση μπορεί να είναι λανθασμένη.

Η συσκευή φαίνεται να λειτουργεί διαρκώς

- Η συσκευή κάνει έναν ήχο την πρώτη φορά που τίθεται σε λειτουργία. Ο ήχος αυτός εξασθενεί με την πάροδο του χρόνου.
- Η πόρτα ανοίγει συχνά.
- Η πόρτα δεν κλείνει σωστά, διότι το υλικό στεγανοποίησης χρειάζεται καθαρίσμα ή έχει καταστραφεί.
- Η πόρτα είναι κατεστραμμένη και δεν είναι σωστά ευθυγραμμισμένη με τη συσκευή.
- Τοποθετήσατε πρόσφατα στη συσκευή περισσότερα τρόφιμα απ' ό,τι συνήθως.
- Ο αερισμός δεν είναι επαρκής – οι οπές αερισμού χρειάζονται καθαρίσμα ή πρέπει να απομακρύνετε τυχόν εμπόδια.
- Ο αερισμός γύρω από τη συσκευή είναι ανεπαρκής – άλλες συσκευές ή μονάδες είναι πολύ κοντά. Η συσκευή υπερφορτώθηκε με τρόφιμα για ψύξη ή κατάψυξη.
- Έχει ενεργοποιηθεί η λειτουργία «Γρήγορης κατάψυξης».

Το εξωτερικό περίβλημα της συσκευής είναι ζεστό

- Η εξωτερική επιφάνεια της συσκευής μπορεί να ζεσταθεί όταν τεθεί σε λειτουργία για πρώτη φορά, προκειμένου να αποφευχθεί η δημιουργία υδρατμών.

Ο λαμπτήρας δεν λειτουργεί

- Η συσκευή δεν είναι συνδεδεμένη στην πρίζα/έχει καεί κάποια ασφάλεια.
- Πρέπει να αντικατασταθεί ο λαμπτήρας

Η εσωτερική θερμοκρασία της συσκευής δεν είναι σωστή

- Η πόρτα δεν έχει κλείσει σωστά
- Η συσκευή είναι πολύ κοντά σε πηγή θερμότητας ή είναι εκτεθειμένη στο άμεσο ηλιακό φως.
- Οι οπές αερισμού που υπάρχουν στο πίσω μέρος είναι φραγμένες ή υπάρχουν εμπόδια.

Η συσκευή κάνει θόρυβο

- Η συσκευή ψύχεται από τον συμπιεστή, ο οποίος κάνει θόρυβο όταν η συσκευή τίθεται σε λειτουργία.
- Το επίπεδο του θορύβου εξαρτάται από την ηλικία της συσκευής (οι παλιότερες συσκευές μπορεί να είναι πιο θορυβώδεις), τη θέση της συσκευής (η ευθυγραμμισμένη συσκευή είναι λιγότερο θορυβώδης) και τον τρόπο χρήσης της συσκευής.
- Κατά τη διάρκεια της χρήσης, ενδέχεται να ακούσετε τον ήχο που κάνει το ψυκτικό υγρό όταν κυκλοφορεί και όταν ρέει, μόλις ο συμπιεστής τεθεί εκτός λειτουργίας.
- Από τον συμπιεστή ακούγεται ένας βόμβος και ένα κλικ, όταν ο συμπιεστής τίθεται σε και εκτός λειτουργίας.
- Όταν η συσκευή τίθεται για πρώτη φορά σε λειτουργία ή εάν είχατε θέσει εκτός λειτουργίας τη συσκευή για παρατεταμένο χρονικό διάστημα, οι ήχοι που αναφέρθηκαν παραπάνω μπορεί να είναι πιο δυνατοί.
- Ενδέχεται να ακούσετε συριστικούς ή κελαρυστούς ήχους από τη συσκευή – οφείλονται στη διαδικασία αυτόματης απόψυξης. Επίσης, μπορεί να ακουστούν ήχοι από τους σωλήνες ή τον εξατμιστή εάν αλλάξει η θερμοκρασία του περιβάλλοντος στο οποίο βρίσκεται η συσκευή.
- Εάν οι θόρυβοι είναι πολύ δυνατοί ή κάπως ασυνήθιστοι, είναι πολύ πιθανόν η συσκευή να χρειάζεται ευθυγράμμιση ή να ακουμπά σε κάποιο αντικείμενο.

## 7. Τεχνικά χαρακτηριστικά

Μοντέλο	HRF-628A*6/HRF-628I*6
Τάση/συχνότητα:	220-240V 50Hz
Ενεργειακή κλάση:	A+
Κλιματική κλάση:	SN-N-ST
Αστέρια κατάψυξης	*/***
Ψυκτικό υγρό	R600a 80g
Μεικτή χωρητικότητα	610 λίτρα
Καθαρή χωρητικότητα	550 λίτρα
Καθαρή χωρητικότητα – ψυγείο	375 λίτρα
Καθαρή χωρητικότητα – κατάψυξη	175 λίτρα
Ικανότητα κατάψυξης / 24 ώρες	10kg / 24 ώρες
Κατανάλωση ενέργειας / έτος	420kW h / έτος
Κατανάλωση ενέργειας (EN153)	1.15kW h / 24 ώρες
Μέγιστο επίπεδο θορύβου	42 dB(A)
Μέγιστος χρόνος συντήρησης σε περίπτωση διακοπής ρεύματος	5 ώρες
Ικανότητα παραγωγής πάγου	1 kg / 24 ώρες

Μοντέλο	HRF-630A*7/HRF-630I*7
Τάση/συχνότητα:	220-240V 50Hz
Ενεργειακή κλάση:	A++
Κλιματική κλάση:	SN-N-ST-T
Αστέρια κατάψυξης	*/***
Ψυκτικό υγρό	R600a 80g
Μεικτή χωρητικότητα	610 λίτρα
Καθαρή χωρητικότητα	550 λίτρα
Καθαρή χωρητικότητα – ψυγείο	375 λίτρα
Καθαρή χωρητικότητα – κατάψυξη	175 λίτρα
Ικανότητα κατάψυξης / 24 ώρες	10kg / 24 ώρες
Κατανάλωση ενέργειας / έτος	355kW h / έτος
Κατανάλωση ενέργειας (EN153)	0.97kW h / 24 ώρες
Μέγιστο επίπεδο θορύβου	42 dB(A)
Μέγιστος χρόνος συντήρησης σε περίπτωση διακοπής ρεύματος	5 ώρες
Ικανότητα παραγωγής πάγου	1 kg / 24 ώρες

