

Owner's Manual

Power Distribution Center

Model: SUDC208V42P

Table of Contents

1. Introduction	2	6. Wiring Installation	9
2. Important Safety Instructions	2	6.1 Preparation	9
3. SUDC Sequence Of Operation	4	6.2 Installing Breakers	11
4. Features	5	6.3 Installing Cord Sets	11
5. Cabinet Installation	6	6.4 Wiring Breakers	12
5.1 Preparation	6	6.5 Wiring Input Power	13
5.2 Unpacking	6	6.6 Powering Up	13
5.3 Placement	7	6.7 Powering Down	13
5.4 Leveling	7	7. Storage & Service	14
5.5 Ground Connection	8	8. Warranty and Warranty Registration	15
		Español	16
		Français	31

WARRANTY REGISTRATION

Register your product today and be automatically entered to win an ISOBAR surge protector in our monthly drawing!

tripplite.com/warranty



1111 W. 35th Street, Chicago, IL 60609 USA • tripplite.com/support

Copyright © 2020 Tripp Lite. All rights reserved.

1. Introduction

Tripp Lite's SUDC208V42P Power Distribution Center accepts 3-phase input power from 120/208V, 20-60kVA UPS systems and distributes single-phase and 3-phase output power to your data center's equipment racks. Power distribution through individual breakers and corresponding cord sets maximizes flexibility, balances critical loads and provides branch circuit over-current protection.

2. Important Safety Instructions



SAVE THESE INSTRUCTIONS

All sections of this manual contain instructions and warnings that must be followed during the installation and operation of the product described in this manual. Read ALL instructions before attempting to move, install or wire this product. Failure to comply may invalidate the warranty and cause serious property damage and/or personal injury.

Location Warnings

- Install the Distribution Center in a controlled indoor environment, away from moisture, temperature extremes, flammable liquids and gasses, conductive contaminants, dust and direct sunlight.
- Operate the Distribution Center at indoor temperatures between 32° F and 104° F (0° C and 40° C) only.
- Allow adequate clearance around the Distribution Center for ventilation, maintenance and easy access to internal devices. Do not block, cover or insert objects into the external ventilation openings.
- Do not place any object on the Distribution Center, especially containers of liquid.
- Do not attempt to stack the Distribution Center. Attempting to stack the Distribution Center may cause permanent damage and create a potential for serious personal injury.
- For emergency use, install a fire extinguisher rated for energized electrical equipment fires (Class C rating or exact equivalent, with a non-conductive extinguishing agent) near the Distribution Center.

Installation Warnings

- The Distribution Center is designed to hold its pre-installed breaker box only. Do NOT attempt to install rack equipment inside the Distribution Center.
- The Distribution Center is extremely heavy. Use caution when handling the Distribution Center. Do not attempt to unpack, move or install it unassisted. Use a mechanical device such as a forklift or pallet jack to move the Distribution Center in the shipping container.
- Inspect the shipping container and the Distribution Center for shipping damage. If you determine that the Distribution Center has been damaged during shipping, or if anything appears to be missing, contact Tripp Lite for assistance. Do not use the Distribution Center if it is damaged.
- Leave the Distribution Center in the shipping container until it has been moved as close to the final installation location as possible. The casters are designed for minor position adjustments within the final installation area only. The casters are not designed for moving over longer distances.
- The casters are not designed to provide long-term support for the Distribution Center after final installation. Use the levelers to provide long-term support.
- Install the Distribution Center in a structurally sound area with a level floor that is able to bear the weight of the Distribution Center and any other equipment that will be installed nearby.
- Do not push the Distribution Center from the side panels to move it. Pushing from the side panels will cause a tipping hazard.
- When rolling the Distribution Center on its casters, always push it from behind, never pull it toward you.
- A rolling Distribution Center can cause personal injury and property damage if not properly supervised. If rolling the Distribution Center down a ramp is required, use extreme caution. Do not attempt to use ramps that have a slope steeper than 1:12.
- Do not tilt the Distribution Center or lay it on its side.
- Use caution when cutting packing materials. The Distribution Center could be scratched, causing damage not covered by the warranty.

2. Important Safety Instructions

- Save all packing materials for later use. Repacking and shipping the Distribution Center without the original packing materials may cause product damage not covered by the warranty.
- Do not attempt to unpack or move the Distribution Center without assistance. Use appropriate handling equipment rated to bear the weight and bulk of the Distribution Center, such as freight elevators, pallet jacks and forklifts. (Fully extend forks under load. Spread forks to maximum possible width under load. Lift cabinet from bottom only. Wear safety shoes.) Confirm that load limits for freight elevators, handling equipment and floors along the transport route will not be exceeded by the combined weight of the packaged Distribution Center, handling equipment and personnel. Confirm that the Distribution Center will pass through any doorways along the intended route.
- The Distribution Center is secured with stretch wrap to protect it during shipping and movement within a facility. Remove the stretch wrap from the Distribution Center when the Distribution Center is in the final installation location—not before.
- If the Distribution Center will be anchored to the floor, install appropriate anchor bolts in the mounting holes at the bottom of the cabinet. Use washers to create a level surface between the mounting areas around the anchor bolts.
- Use extreme caution when removing the bolts securing the Distribution Center to the shipping pallet.



DANGER! LETHAL HIGH VOLTAGE HAZARD!

All wiring must be performed by a qualified electrician, in accordance with the warnings in this manual and all applicable electrical and safety codes. Incorrect wiring may cause serious personal injury and property damage.

Wiring Warnings

- **All wiring must be performed by a qualified, certified electrician. Know the procedure for disconnecting electricity in case of an emergency. Do not work alone. Use appropriate protective clothing and tools. Follow all applicable electrical wiring and safety regulations.**
- The Distribution Center contains hazardous high voltages that have the potential to cause personal injury or death from electric shock.
- The Distribution Center must be suitably grounded according to all applicable electrical wiring regulations.
- De-energize all power sources before installing cables or making electrical connections.
- Use flexible cable of sufficient length to permit Distribution Center servicing.
- Confirm that all cables are marked correctly according to their purpose, polarity and diameter.

3. SUDC Sequence Of Operation

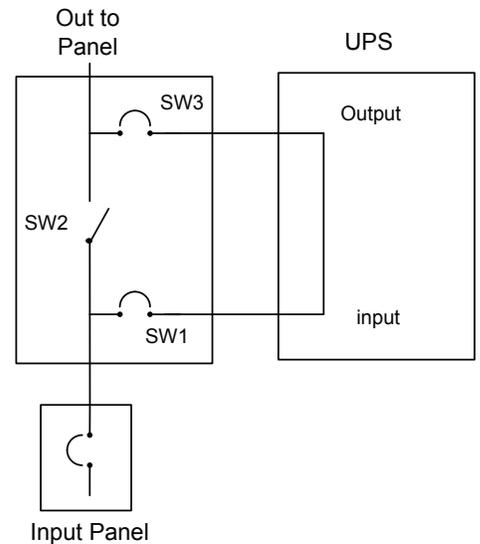
SUDC208V42P30M, SUDC208V42P40M, SUDC208V42P60M & SUDC208V84P60M

The 30M/40M/60M suffix in the distribution center part number indicates an integral 3 breaker maintenance bypass in the bottom of the cabinet. The feature enables make-before-break isolation of the UPS from the critical load for maintenance of the UPS.

The drawing illustrates power flow and sequence of operation of the bypass switch. It is important to follow the procedure correctly to avoid damaging the UPS or dropping the critical load.

- 1** Put the UPS into bypass by turning off the inverter (press the red button then turn the manual rotary switch to bypass on the back of the UPS)
- 2** Using the Key, retract SW2 bolt and close SW2
- 3** Using key, retract bolt and open SW3
- 4** Open SW1

The UPS is now in bypass. To return to normal operation, reverse the process.

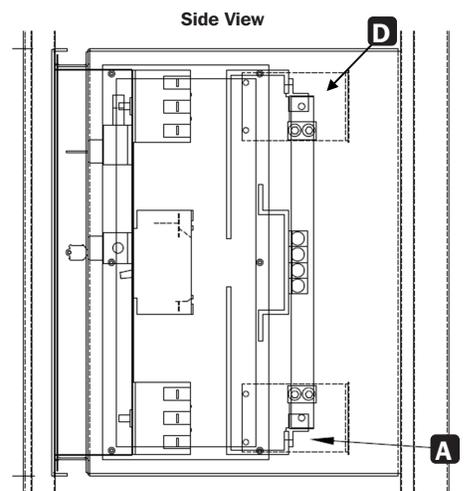
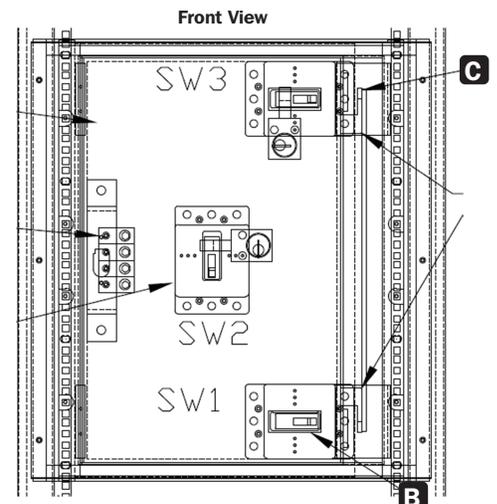


Wiring

The drawing below shows bypass utility input **A**, UPS isolation input **B**, and UPS isolation output **C** termination points. The bypass output **D** is prewired to the distribution panel, which reduces installation time. Use the attached table as a wiring guideline subject to NEC and local codes. Flexible cable and conduit is recommended for ease of installation. Access panels are located on the side and rear of the bypass enclosure for access to termination points.

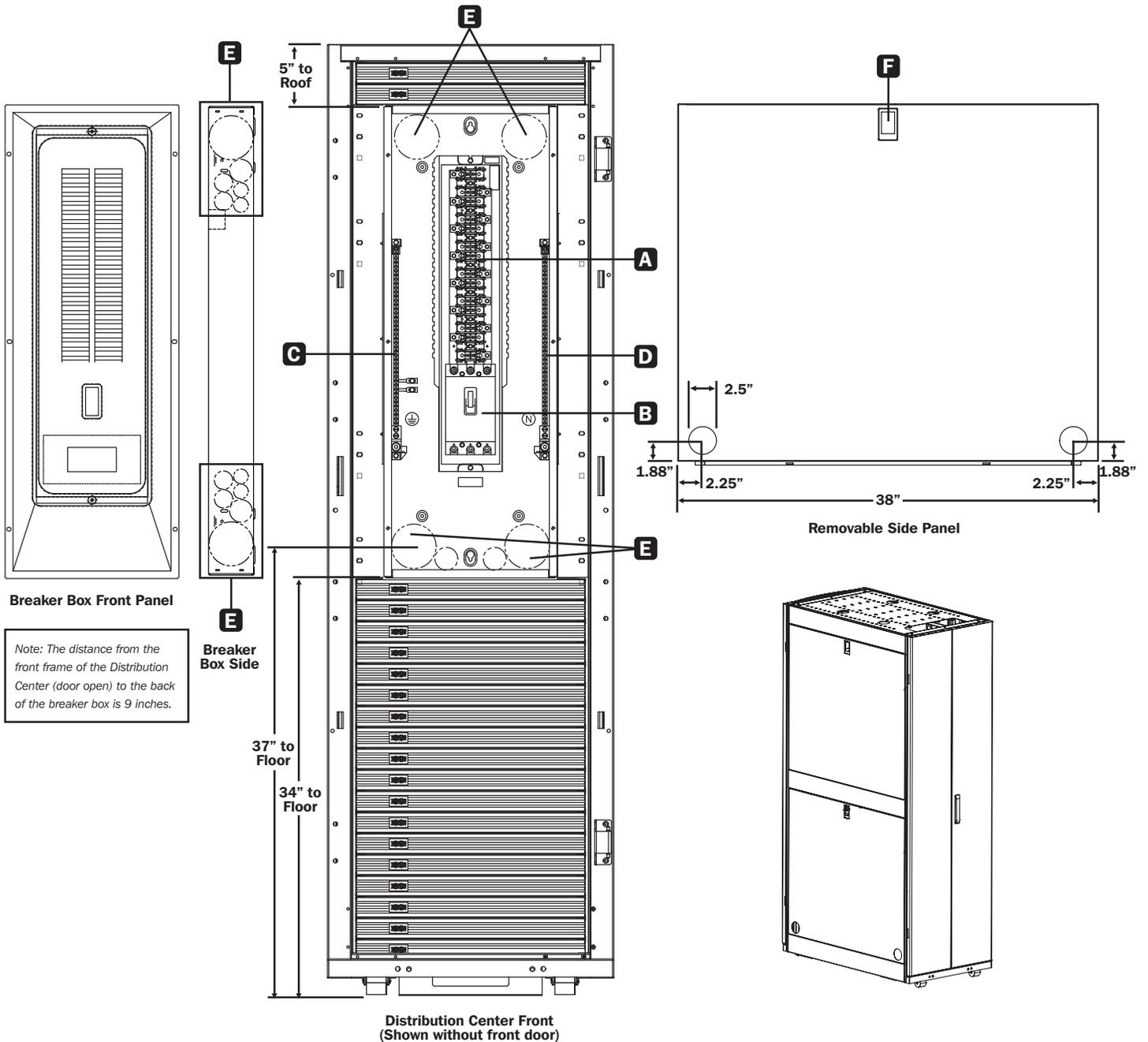
Wiring Guidelines

Tripp Lite P/N	Voltage	DP Poles	DP Breaker	MBP	MBP Breaker	KAIC Rating	Cable Size
SUDC208V42P	208Y/120V	42	225A	-	-	10	000 AWG
SUDC208V42P30M	208Y/120V	42	225A	20 & 30kVA	100A	18	4 AWG
SUDC208V42P40M	208Y/120V	42	225A	40kVA	150A	65	2 AWG
SUDC208V42P60M	208Y/120V	42	225A	60kVA	225A	65	000 AWG
SUDC208V84P60M	208Y/120V	84	225A	60kVA	225A	65	000 AWG



4. Features

- A 42-Pole Circuit Breaker Panel:** Output branch circuit breakers (sold separately) snap into this panel. The output cord sets (sold separately) will be wired here. **Warning:** Use Tripp Lite breakers and cord sets only.
- B Main Circuit Breaker:** The 3-phase power source will be wired to this breaker.
- C Ground Bar:** Ground connections will be wired to this bar.
- D Neutral Bar:** Neutral connections will be wired to this bar.
- E Wiring Knockouts:** There are (24) $\frac{3}{4}$ -inch knockouts and (29) $\frac{1}{2}$ -inch knockouts distributed throughout the breaker box. (Not all knockouts are shown in the diagram. The top and bottom panels of the breaker box also contain knockouts.)
- F Removable Side Panel:** If the Distribution Center is installed on a concrete floor, the wiring from the 3-phase power source can be routed through the appropriate knockout in the removable side panel. You can install the side panel in the lower position on either side of the Distribution Center to accommodate the placement of the 3-phase power source.



5. Cabinet Installation



CAUTION! READ ALL INSTRUCTIONS AND WARNINGS BEFORE INSTALLATION!

WARNING: The Distribution Center is extremely heavy. Do not attempt to unpack, move or install the Distribution Center without assistance. Until it has been properly installed and stabilized, the Distribution Center is prone to tipping and could cause property damage and/or personal injury. Use extreme caution when handling the Distribution Center and be sure to follow all handling and installation instructions. Do not attempt to install wiring without first stabilizing the Distribution Center.

5.1 Preparation

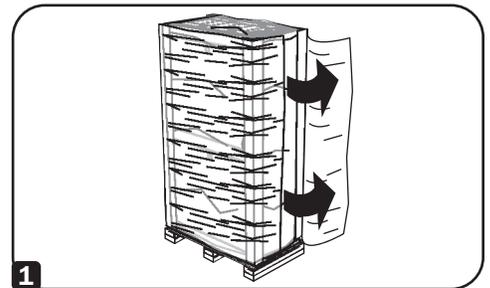
The Distribution Center must be installed in a structurally sound area with a level floor that is able to bear the weight of the Distribution Center, all the wiring that will be installed in the Distribution Center and any enclosures and/or equipment that will be installed nearby. Before unpacking the Distribution Center, you should transport the shipping container closer to the final installation location to minimize the distance you will need to move the Distribution Center after the protective packaging has been removed. If you plan to store the Distribution Center for an extended period before installation, follow the instructions in the Storage & Service section.

You will need several tools (user-supplied):

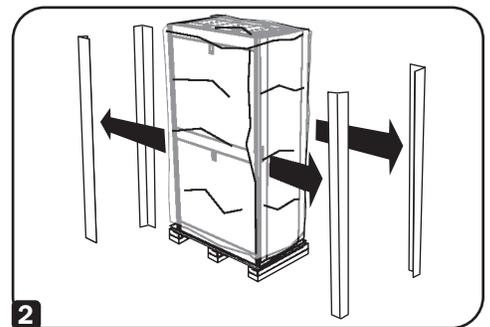
- 13 mm Open-end Wrench
- 18 mm Open-end Wrench
- Utility Blade
- Carpenter's Level
- Phillips-head Screwdriver
- Flat-head Screwdriver

5.2 Unpacking

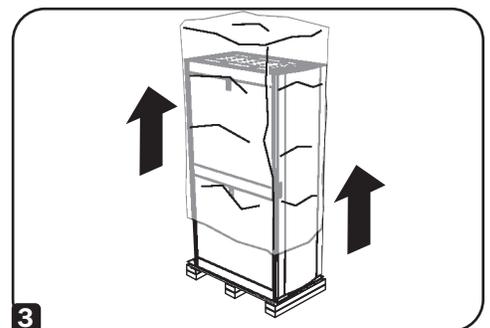
1 Confirm that the shipping container is upright and stable, then use a utility blade to cut the shrink-wrap securing the corner protectors. Apply the utility blade directly over the corner protectors to prevent the utility blade from scratching the Distribution Center or cutting the heavy protective plastic bag beneath the shrink-wrap. **WARNING: Do not scratch the Distribution Center or cut the heavy plastic bag beneath the shrink-wrap. Do not push or pull the Distribution Center while unpacking.**



2 Remove the corner protectors. Save all packing materials (including the pallet) for later use unless you are certain they will not be required. The packing materials are recyclable.

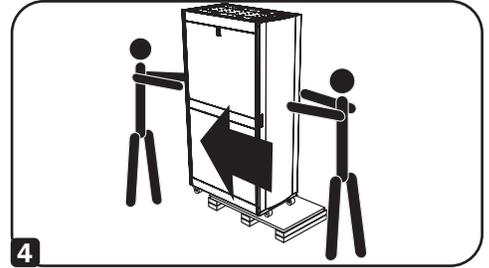


3 Remove the heavy plastic bag surrounding the Distribution Center. Examine the Distribution Center for any damage or loose parts. Confirm that all parts are present. If anything is missing or damaged, contact Tripp Lite for assistance. Do not attempt to use the Distribution Center if it has been damaged.



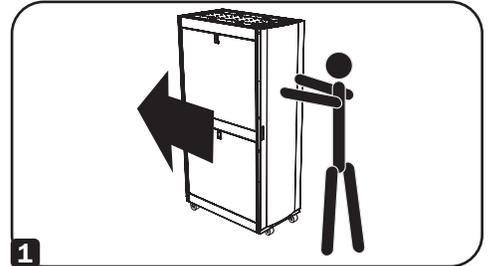
5. Cabinet Installation

- 4** Use a 13 mm open-end wrench to remove the shipping brackets at the front and rear of the Distribution Center. Be extremely careful, as the Distribution Center could shift unexpectedly after bracket removal. Save the brackets and bracket hardware for later use. Position at least one person at the front of the Distribution Center and one person at the rear of the Distribution Center. Slowly push the Distribution Center toward the back of the shipping pallet until all four casters go over the edge of the pallet and touch the floor. **WARNING: Use at least one assistant when removing the Distribution Center from the pallet. Be extremely careful when moving the Distribution Center.**



5.3 Placement

- 1** Use the casters to move the Distribution Center for a short distance over a level, smooth, stable surface by pushing it from the front or rear (not the side panels). Do not attempt to roll the Distribution Center over long distances. The Distribution Center should be moved close to its installation location inside its shipping container before it is unpacked. (Use a forklift or pallet jack to move the shipping container.) **WARNING: Do not push or pull the Distribution Center at the side panels or pull the enclosure toward you.**



If required, the Distribution Center can be lifted by attaching 4 user-supplied M8 diameter eye bolts to the threaded holes near the upper corners of the Distribution Center frame. Use steel bolts with an ISO strength rating of 8.8 or higher. **WARNING: Only experienced equipment operators should attempt to lift the Distribution Center. Use appropriate equipment and follow all applicable safety procedures and regulations.**

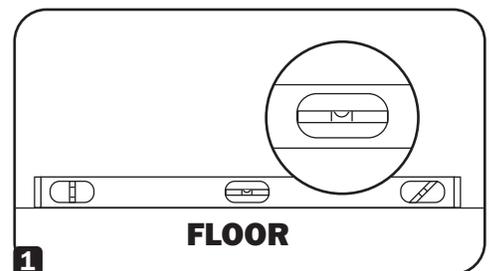
5.4 Leveling



WARNING!

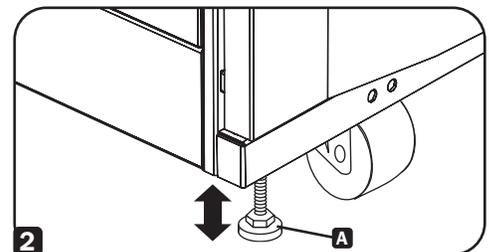
Level the Distribution Center before attempting to install wiring. The casters are not designed to provide long-term support for the Distribution Center. Use the levelers to provide long-term support.

- 1** After the Distribution Center has been moved to the installation location, use a carpenter's level to check the slope of the floor. If the floor slopes more than 1%, choose an alternate installation site.



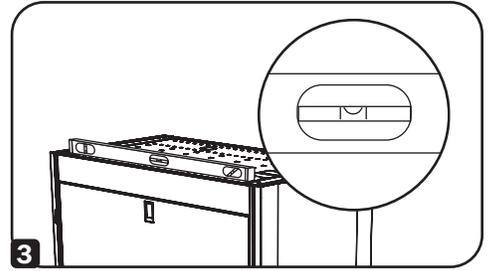
- 2** Use an 18 mm open-end wrench to lower each leveler **A** until it reaches the floor. (There are 4 levelers, 2 at the front and 2 at the rear.) Make sure each leveler contacts the floor solidly.

Note: Lower a leveler by turning it clockwise; raise a leveler by turning it counter-clockwise.

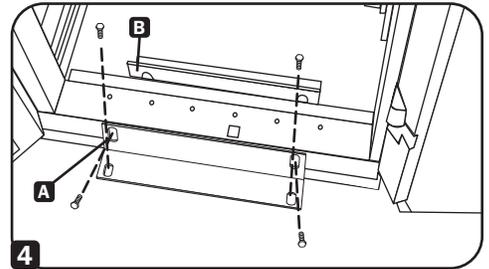


5. Cabinet Installation

- 3** After lowering each leveler, use the carpenter's level to confirm that the Distribution Center is level in all directions. Adjust the levelers as required until the Distribution Center is level.



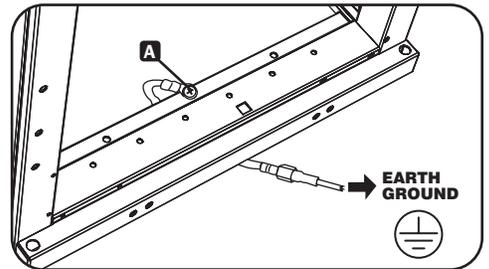
- 4** (Optional) If you wish to provide an additional measure of stability, you can attach the 2 shipping brackets, using the hardware that attached the Distribution Center to the shipping pallet. Use a 13 mm open-end wrench to connect the brackets to the outer **A** or inner **B** bracket mounting points of the Distribution Center. Attach the brackets to secure mounting points in the floor using user-supplied hardware or Tripp Lite's Bolt-Down Kit (Part # SRBOLTDOWN).



5.5 Ground Connection

All the parts of the Distribution Center are grounded to the frame of the enclosure. Use the Distribution Center's front or rear threaded grounding point **A** and an M6 screw (included) to connect the frame of the Distribution Center directly to your facility's earth ground connection with an 8 AWG wire. Route the ground wire under the Distribution Center's frame to ensure unhindered door operation.

WARNING: Attach the Distribution Center to earth ground separately—not daisy-chained with other equipment. Do not use the Distribution Center without an earth ground connection.



6. Wiring Installation

6.1 Preparation

Warning: All wiring must be performed by a qualified, certified electrician.

- Review the entire manual before wiring the Distribution Center, including all warnings.
- Consider how you will route power into the unit, wire all internal connections and route power out of the unit, making careful measurements.
- Input wiring measurements will differ for concrete floor and raised floor installations. See Section 6.5 for more information.
- The cabling to wire the 3-phase power source to the Distribution Center is not included with the Distribution Center. Make sure the electrician supplies the appropriate cabling, in accordance with NEC and all other applicable local or national electrical regulations.
- Routing output cord sets from the top of the Distribution Center to your racks and PDUs should be managed systematically, with proper data and power cable segregation. Tripp Lite offers a full line of external cable management accessories (sold separately), including SRCABLELADDER, SRCABLETRAY and SRCABLETRAYEXP.

Ordering Required Breakers and Cord Sets

- Decide how many and what type of output breakers and cord sets you need (see below).
- Contact your distributor or go to triplite.com to order.

Warning: Use Tripp Lite breakers and cord sets only.

Note: When ordering cord sets, order longer cords than the minimum required. The electrician can trim the ROJ section for a custom fit.

Available Output Branch Circuit Breakers

Tripp Lite #	Description
SUBB120	Single-Pole, 20A Breaker
SUBB230	2-Pole, 30A Breaker
SUBB320	3-Pole, 20A Breaker
SUBB330	3-Pole, 30A Breaker

6. Wiring Installation

Available Cord Sets

120V, Single-Phase with L5-20R Connector. Use with compatible PDUs, including these Tripp Lite models: PDU1220T, PDU1420T, PDUNV, PDU40TDUAL, PDUMV20, PDUMV40, PDUMH20, PDUMNH20, PDUMNV20, PDUMV20NET, PDUMH20AT and PDUMH20ATNET.

Tripp Lite #	Total Length	ROJ Length	Wire	Connector	Compatible Breaker
SUWL520C-5	8 ft.	3 ft.	12 AWG Strand Wire	L5-20R	SUBB120
SUWL520C-10	13 ft.	3 ft.	12 AWG Strand Wire	L5-20R	SUBB120
SUWL520C-15	18 ft.	3 ft.	12 AWG Strand Wire	L5-20R	SUBB120
SUWL520C-20	23 ft.	3 ft.	12 AWG Strand Wire	L5-20R	SUBB120

Extensions

Tripp Lite #	Total Length	Wire	Connector & Plug	Compatible Breaker
SUWEL520C-3	3 ft.	12 AWG Strand Wire	L5-20R & L5-20P	SUBB120
SUWEL520C-20	20 ft.	12 AWG Strand Wire	L5-20R & L5-20P	SUBB120

208/240V, Single-Phase with L6-30R Connector. Use with compatible PDUs, including these Tripp Lite models: PDU1230, PDUV30HV, PDUMV30HV, PDUMNV30HV, PDUMV30NET, PDUMV30HVNET and PDUMH30HVNET.

Tripp Lite #	Total Length	ROJ Length	Wire	Connector	Compatible Breaker
SUWL630C-5	8 ft.	3 ft.	10 AWG Strand Wire	L6-30R	SUBB230
SUWL630C-10	13 ft.	3 ft.	10 AWG Strand Wire	L6-30R	SUBB230
SUWL630C-15	18 ft.	3 ft.	10 AWG Strand Wire	L6-30R	SUBB230
SUWL630C-20	23 ft.	3 ft.	10 AWG Strand Wire	L6-30R	SUBB230
SUWL630C-25	28 ft.	3 ft.	10 AWG Strand Wire	L6-30R	SUBB230
SUWL630C-30	33 ft.	3 ft.	10 AWG Strand Wire	L6-30R	SUBB230
SUWL630C-35	38 ft.	3 ft.	10 AWG Strand Wire	L6-30R	SUBB230
SUWL630C-40	44 ft.	3 ft.	10 AWG Strand Wire	L6-30R	SUBB230

Extensions

Tripp Lite #	Total Length	Wire	Connector & Plug	Compatible Breaker
SUWEL630C-20	20 ft	10 AWG Strand Wire	L6-30R & L6-30P	SUBB230

6. Wiring Installation



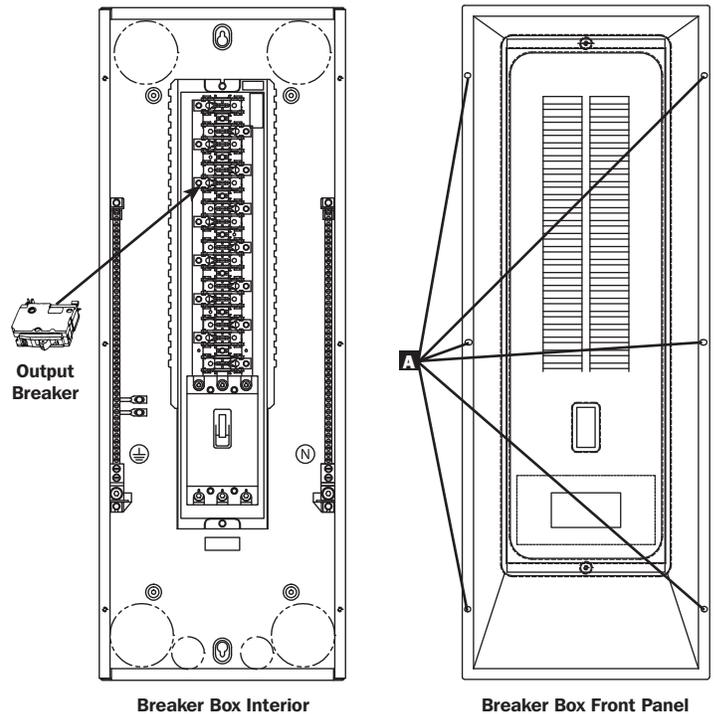
WARNING!

Before wiring make sure that all breakers (including the Distribution Center's Main Breaker) are in the OFF position and that the 3-phase power source is de-energized!

6.2 Installing Breakers

- 1 Open the Distribution Center's front door to access the breaker box.
- 2 Remove 6 screws **A** from the breaker box front panel, then remove the panel and set it aside.
- 3 Decide which pole position to use for each of your required breakers and snap each breaker into place.
- 4 Remove the corresponding panel knockouts from the breaker box front panel.

Note: Properly label your breakers in the spaces provided to better manage your electrical system (labels not included). You may also want to differentiate labeling between different racks and cord sets.

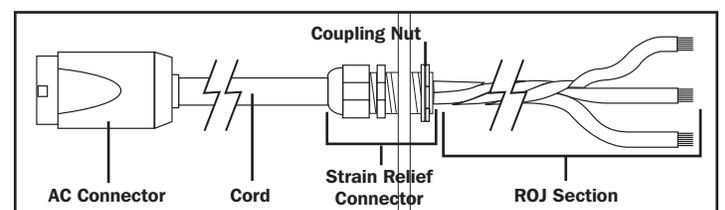
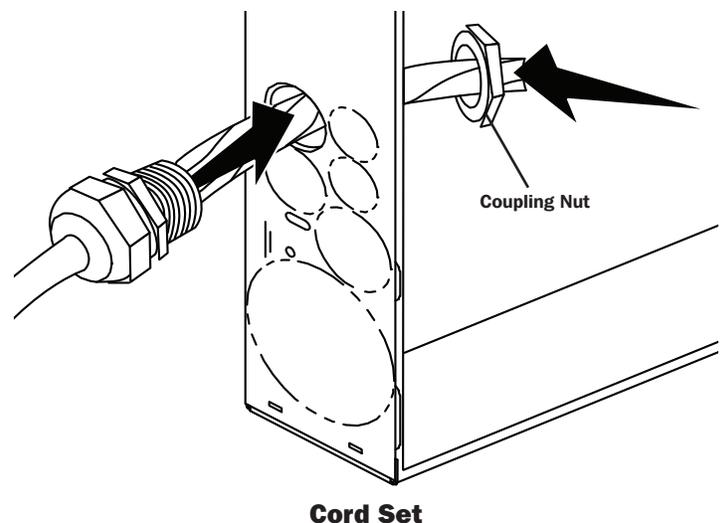


6.3 Installing Cord Sets

- 1 Pass the cord set through one of the cable access channels in the roof of the Distribution Center, ROJ section first. The channel you choose depends on your cord set configuration.
- 2 Select a knockout in the breaker box and remove the insert for that knockout. The knockout you choose depends on your cord set configuration.

Note: There are (24) 3/4-inch knockouts and (29) 1/2-inch knockouts distributed throughout the breaker box.

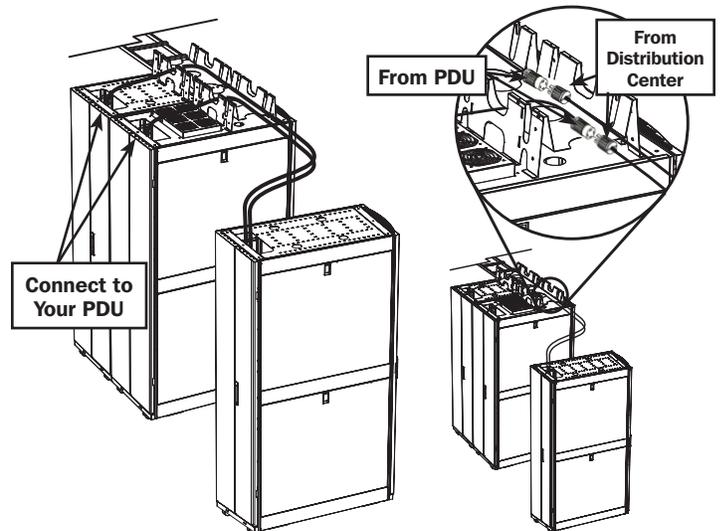
- 3 Remove the coupling nut of the strain relief connector from the cord set.
- 4 Insert the ROJ section of the cord set through the knockout and into the breaker box. (Pull the ROJ section through the knockout until the threaded end of the strain relief connector is inside the breaker box.)
- 5 Insert the ROJ section of the cord set through the coupling nut of the strain relief connector.
- 6 Attach the coupling nut to the strain relief connector and tighten, securing the cord set to the breaker box.



6. Wiring Installation

7 After attaching your cord sets, route and attach these power cables to your equipment racks.

- Install the optional SRCABLELADDER, SRCABLETRAY and SRCABLETRAYEXP onto your racks for easier cable routing and management.
- Starting with the cord sets for the racks farthest away from the Distribution Center, run each cable to your racks utilizing your configuration's cable management system.
- Connect the appropriate cord set to the appropriate PDU, either inside your rack (through one of the cable access holes in the roof) or on top of your rack's roof inside the cable management tray.



6.4 Wiring the Breakers



DANGER! LETHAL HIGH VOLTAGE HAZARD!

All wiring must be performed by a qualified, certified electrician in accordance with the warnings in this manual and all applicable electrical and safety codes. Incorrect wiring may cause serious personal injury and property damage.



Confirm that the main breaker is OFF before connecting any wiring.

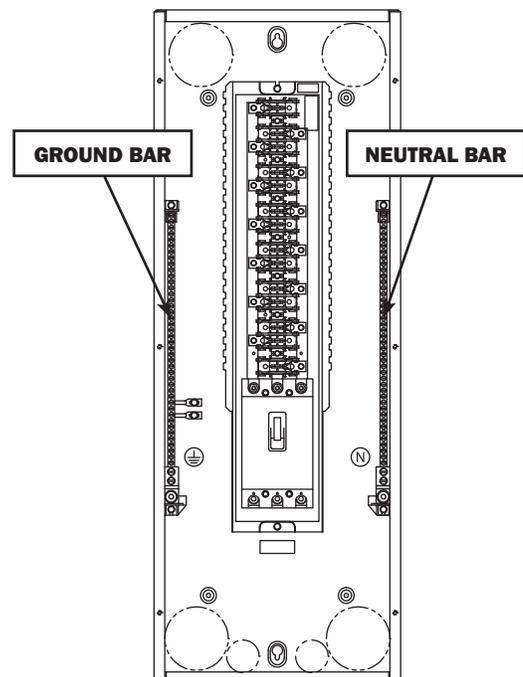
1 Connect the ROJ section of each cord set to the appropriate breaker, neutral and ground, as appropriate. Leave circuit breakers in the OFF position until all wiring to load circuits is complete.

2 Cord Sets Connected to 120V Circuits (L5-20R Connectors):

- Connect green wire to the ground bar.
- Connect white wire to the neutral bar.
- Connect black wire to the 1-pole circuit breaker for that circuit (make sure the cord connector and 1-pole circuit breaker are labelled accordingly).

3 Cord Sets Connected to 208V Circuits (L6-30R Connectors):

- Connect green wire to the ground bar.
- Connect black wire to 1 pole of the 2-pole circuit breaker for that circuit.
- Connect white wire to the 2nd pole of the 2-pole circuit breaker for that circuit.



6. Wiring Installation

6.5 Wiring Input Power

Warning: Before wiring the 3-phase UPS to the Distribution Center's main breaker, turn the UPS OFF and de-energize it completely.

The main breaker accepts wiring up to 300 MCM. Recommended minimum wiring sizes are shown below, but the electrician must make the final wiring determination for your configuration in compliance with NEC and all other applicable electrical and safety regulations.

Input power to the Distribution Center's main input must be 3-phase, 4 wire + ground from a 120/208V 3-phase source. The use of ferrules on stranded wire is recommended.

3-Phase UPS Capacity	Recommended Minimum Wire Size*
20kVA	6 AWG
30kVA	3 AWG
40kVA	1 AWG
60kVA	000 AWG
>60kVA	Not Supported - Do Not Connect

*Conductors Rated 90°C

Raised Floor

- Run the wiring from the 3-phase power source, under the raised floor and up through the open base of the Distribution Center.
- Use the center-bottom conduit knockout of the breaker box below the main circuit breaker to attach the input flexible conduit.
- Wire the 3-phase power source to the bottom of the main input breaker, neutral and ground.

Concrete Floor

- Run the wiring from the 3-phase power source through the bottom side panel of the Distribution Center. The side panel has two knockouts to accommodate the wiring—choose the most convenient knockout.

Note: You can install the side panel in the lower position on either side of the Distribution Center to accommodate the placement of the 3-phase power source.

- Use the center-bottom conduit knockout of the breaker box below the main circuit breaker to attach the input flexible conduit.
- Wire the 3-phase power source to the bottom of the main input breaker, neutral and ground.

Note: To maintain same-phase rotation within the panel board as output from the AC source, connect the R, S and T phases (also known as A, B and C phases) to the main circuit breaker lugs from left to right.

6.6 Powering Up

- Turn the AC source (UPS system) ON, following all normal start-up procedures for the AC source.
- Turn the Distribution Center's MAIN breaker ON. **Warning! After you turn the main breaker ON, the breaker box will be energized.**
- Verify that voltages from phase-phase are 208V (NOM), phase-neutral are 120V (NOM) and neutral-ground is 0V.
- Reattach the breaker box front panel.
- Close the Distribution Center's front door.
- Plug PDUs into the cord sets as required to power your equipment.
- Turn the output branch circuit breakers ON. **Warning! After you turn the output branch circuit breakers ON, the cord sets and anything plugged into the cord sets will be energized.**

6.7 Powering Down

- To power down the entire Distribution Center, turn OFF the main breaker. **Warning! The UPS system wiring will remain energized until you turn the UPS system OFF.**
- To power down an output branch circuit, turn OFF the corresponding output branch circuit breaker. **Warning! The breaker box will remain energized until you turn the main breaker OFF.**

7. Storage & Service

Storage

The Distribution Center must be stored in a clean, secure environment with a temperature less than 40° C (104° F) and a relative humidity less than 95% (non-condensing). Store the Distribution Center in its original shipping container if possible.

Service

Your Tripp Lite product is covered by the warranty described in this manual. A variety of Extended Warranty and On-Site Service Programs are also available from Tripp Lite. For more information on service, visit tripplite.com/support. Before returning your product for service, follow these steps:

1. Review the installation and operation procedures in this manual to insure that the service problem does not originate from a misreading of the instructions.
2. If the problem continues, do not contact or return the product to the dealer. Instead, visit tripplite.com/support.
3. If the problem requires service, visit tripplite.com/support and click the Product Returns link. From here you can request a Returned Material Authorization (RMA) number, which is required for service. This simple on-line form will ask for your unit's model and serial numbers, along with other general purchaser information. The RMA number, along with shipping instructions will be e-mailed to you. Any damages (direct, indirect, special or consequential) to the product incurred during shipment to Tripp Lite or an authorized Tripp Lite service center is not covered under warranty. Products shipped to Tripp Lite or an authorized Tripp Lite service center must have transportation charges prepaid. Mark the RMA number on the outside of the package. If the product is within its warranty period, enclose a copy of your sales receipt. Return the product for service using an insured carrier to the address given to you when you request the RMA.

8. Warranty & Warranty Registration

Limited Warranty

Seller warrants this product, if used in accordance with all applicable instructions, to be free from original defects in material and workmanship for a period of 1 year from the date of initial purchase. If the product should prove defective in material or workmanship within that period, Seller will repair or replace the product, in its sole discretion. Service under this Warranty includes parts and Tripp Lite service center labor. On-site service plans are available from Tripp Lite through authorized service partners (in most areas). Visit tripplite.com/support for details. International customers should contact Tripp Lite support at intlservice@tripplite.com.

THIS WARRANTY DOES NOT APPLY TO NORMAL WEAR OR TO DAMAGE RESULTING FROM ACCIDENT, MISUSE, ABUSE OR NEGLIGENCE. SELLER MAKES NO EXPRESS WARRANTIES OTHER THAN THE WARRANTY EXPRESSLY SET FORTH HEREIN. EXCEPT TO THE EXTENT PROHIBITED BY APPLICABLE LAW, ALL IMPLIED WARRANTIES,

INCLUDING ALL WARRANTIES OF MERCHANTABILITY OR FITNESS, ARE LIMITED IN DURATION TO THE WARRANTY PERIOD SET FORTH ABOVE; AND THIS WARRANTY EXPRESSLY EXCLUDES ALL INCIDENTAL AND CONSEQUENTIAL DAMAGES. (Some states do not allow limitations on how long an implied warranty lasts, and some states do not allow the exclusion or limitation of incidental or consequential damages, so the above limitations or exclusions may not apply to you. This Warranty gives you specific legal rights, and you may have other rights which vary from jurisdiction to jurisdiction.)

Tripp Lite; 1111 W. 35th Street; Chicago IL 60609; USA

WARNING: The individual user should take care to determine prior to use whether this device is suitable, adequate or safe for the use intended. Since individual applications are subject to great variation, the manufacturer makes no representation or warranty as to the suitability or fitness of these devices for any specific application.

PRODUCT REGISTRATION

Visit tripplite.com/warranty today to register your new Tripp Lite product. You'll be automatically entered into a drawing for a chance to win a FREE Tripp Lite product!*

* No purchase necessary. Void where prohibited. Some restrictions apply. See website for details.

WEEE Compliance Information for Tripp Lite Customers and Recyclers (European Union)



Under the Waste Electrical and Electronic Equipment (WEEE) Directive and implementing regulations, when customers buy new electrical and electronic equipment from Tripp Lite they are entitled to:

- Send old equipment for recycling on a one-for-one, like-for-like basis (this varies depending on the country)
- Send the new equipment back for recycling when this ultimately becomes waste

Use of this equipment in life support applications where failure of this equipment can reasonably be expected to cause the failure of the life support equipment or to significantly affect its safety or effectiveness is not recommended.

Tripp Lite has a policy of continuous improvement. Specifications are subject to change without notice. Photos and illustrations may differ slightly from actual products.



Manual del Propietario

Centro de Distribución de Energía

Modelo: SUDC208V42P

Índice

1. Introducción	17	6. Instalación de Cableado	24
2. Instrucciones de Seguridad Importantes	17	6.1 Preparación	24
3. Secuencia de Operación del SUDC	19	6.2 Instalación de Breakers	26
4. Características	20	6.3 Instalación de Juegos de Cables	26
5. Instalación del Gabinete	21	6.4 Cableado de los Breakers	27
5.1 Preparación	21	6.5 Alimentación de Entrada del Cableado	28
5.2 Desempaque	21	6.6 Encendido	28
5.3 Colocación	22	6.7 Apagado	28
5.4 Nivelación	22	7. Almacenamiento y Servicio	29
5.5 Conexión de Tierra Física	23	8. Garantía	30
		English	1
		Français	31



1111 W. 35th Street, Chicago, IL 60609 EE. UU. • triplite.com/support

Copyright © 2020 Tripp Lite. Todos los derechos reservados.

1. Introducción

El centro de distribución de energía SUDC208V42P de Tripp Lite acepta energía de entrada trifásica desde sistemas UPS de 120V/208V, 20KVA~60kVA y distribuye energía de salida monofásica y trifásica a los racks de equipo de su centro de datos. La distribución de energía mediante breakers individuales y los juegos correspondientes de cables maximiza la flexibilidad, balancea cargas críticas y proporciona protección contra sobrecorriente en el circuito de bifurcación.

2. Instrucciones de Seguridad Importantes



CONSERVE ESTAS INSTRUCCIONES

Todas las secciones de este manual contienen instrucciones y advertencias que deben observarse durante la instalación y operación del producto descrito en este manual. Lea TODAS las instrucciones antes de intentar mover, instalar o cablear este producto. El no hacerlo puede invalidar la garantía y causar serios daños a la propiedad o lesiones personales.

Advertencias para la Ubicación

- Instale el centro de distribución en un entorno interior controlado lejos de humedad, temperaturas extremas, líquidos y gases inflamables, contaminantes conductores, polvo o luz solar directa.
- Opere el centro de distribución a temperaturas interiores entre 32 °F y 104 °F (0 °C y 40 °C) solamente.
- Deje espacio suficiente alrededor del centro de distribución para ventilación, mantenimiento y fácil acceso a los dispositivos internos. No bloquee, cubra ni coloque objetos en los orificios de ventilación externos.
- No coloque ningún objeto sobre el centro de distribución, especialmente envases con líquidos.
- No intente apilar el centro de distribución. Si lo hiciera, puede dañarlo de forma definitiva y causar lesiones físicas graves.
- Para uso en caso de emergencia, instale un extintor certificado para incendios de equipos eléctricos conectados (clasificación clase C o uno exactamente equivalente, con agente extintor no conductor) cerca del centro de distribución.

Advertencias sobre la Instalación

- El centro de distribución está diseñado para soportar solamente su caja de breakers preinstalada. NO intente instalar equipo de rack dentro del centro de distribución.
- El centro de distribución es extremadamente pesado. Tenga cuidado al manipular el centro de distribución. No intente desempacarlo, moverlo o instalarlo sin ayuda. Utilice un dispositivo mecánico como un montacargas o gato para tarimas para mover el centro de distribución en el contenedor de embarque.
- Inspeccione el contenedor de embarque y el centro de distribución para detectar daños en el embarque. Si determina que el centro de distribución ha sufrido daños durante el envío o si algo parece faltar, póngase en contacto con Tripp Lite. No use el centro de distribución si está dañado.
- Deje el centro de distribución en el contenedor de embarque hasta que se le mueva tan cerca a su ubicación final como sea posible. Las ruedas están diseñadas para ajustes mínimos de posición dentro del área de instalación final. Las ruedas no están diseñadas para desplazamiento a través de distancias largas.
- Las ruedas no están diseñadas para proporcionar soporte a largo plazo al centro de distribución después de la instalación final. Use los niveladores para proporcionar soporte a largo plazo.
- Instale el centro de distribución en un área estructuralmente firme con un piso nivelado que pueda soportar la carga del peso del centro de distribución y otros equipos que se instalen cerca.
- No empuje el centro de distribución de sus paneles laterales para moverlo. Si lo empuja desde sus paneles laterales, este podría volcarse.
- Cuando ruede el centro de distribución sobre sus ruedas, siempre empuje desde atrás, nunca lo jale hacia usted.
- Un centro de distribución rodando puede ocasionar lesiones personales y daños a la propiedad si no es supervisado correctamente. Tenga mucho cuidado si necesita hacer rodar el centro de distribución hacia abajo a través de una rampa. No intente usar rampas que tengan una pendiente superior a 1:12.
- No incline el centro de distribución ni lo coloque sobre uno de sus lados.

2. Instrucciones de Seguridad Importantes

- Tenga cuidado cuando corte el material de empaque. El centro de distribución podría rayarse o rasguñarse, provocando daños no cubiertos por la garantía.
- Guarde todo el material de empaque para uso posterior. Reempacar y embarcar el centro de distribución sin los materiales de empaque originales pueden causar daños al producto no cubiertos por la garantía.
- No intente desempacar ni mover el centro de distribución sin asistencia. Use un equipo de manipulación adecuado para soportar el peso y el volumen del centro de distribución, como montacargas y gatos mecánicos para tarimas. (Extienda totalmente las horquillas del montacargas debajo de la carga. Abra las horquillas al máximo ancho posible bajo la carga. Levante el gabinete por la base solamente. Use zapatos de seguridad). Confirme que los límites de carga para montacargas, equipos de manejo y pisos a lo largo de la ruta de transporte no sean excedidos por el peso combinado del centro de distribución, equipos de manejo y personal. Confirme que el centro de distribución pasará a través de cualquier puerta a lo largo de la ruta prevista.
- El centro de distribución está asegurado con envoltura elástica para protegerlo durante el transporte y movimiento dentro de una instalación. Retire la envoltura elástica del centro de distribución cuando el centro de distribución esté en el lugar de instalación final—no antes.
- Si el centro de distribución será anclado al piso, instale tornillos de anclaje adecuados en los orificios en la parte inferior del gabinete. Utilice arandelas para crear una superficie plana entre las áreas de instalación alrededor de los tornillos de anclaje.
- Tenga mucho cuidado al retirar los tornillos que sujetan el centro de distribución a la tarima de embarque.



¡PELIGRO! ¡RIESGO DE DESCARGA LETAL POR ALTO VOLTAJE!

El tendido de cables debe estar a cargo de un electricista calificado, de conformidad con las advertencias descritas en este manual y con todos los códigos de seguridad y eléctricos aplicables. Un cableado incorrecto puede causar lesiones personales graves y daños a la propiedad.

Advertencias para el Cableado

- **Todo el cableado debe ser realizado por un electricista calificado y certificado. Conozca el procedimiento para desconectar la electricidad en caso de una emergencia. No trabaje solo. Use ropa y herramientas protectoras adecuadas. Siga todos los reglamentos aplicables de cableado eléctrico y seguridad.**
- El centro de distribución contiene alto voltaje peligroso que puede causar lesiones físicas o la muerte por descarga eléctrica.
- El centro de distribución se debe conectar a tierra como corresponda según todos los reglamentos de cableado eléctrico correspondientes.
- Desconecte todas las fuentes de alimentación antes de instalar los cables o realizar conexiones eléctricas.
- Use un cable flexible de longitud suficiente para permitir las tareas de servicio del centro de distribución.
- Confirme que todos los cables estén marcados correctamente según su finalidad, polaridad y diámetro.

3. Secuencia de Operación del SUDC

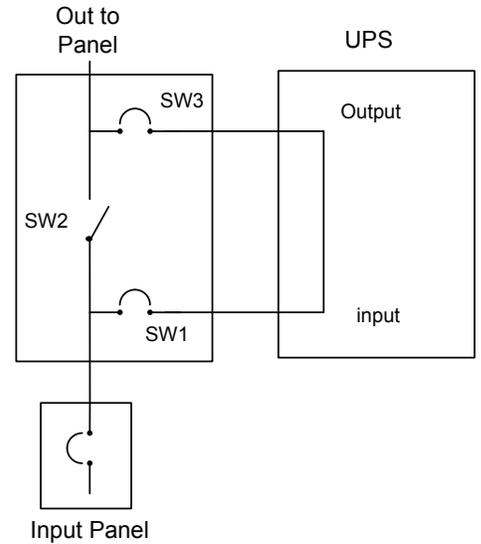
SUDC208V42P30M, SUDC208V42P40M, SUDC208V42P60M y SUDC208V84P60M

El sufijo 30M/40M/60M en el número de parte del centro de distribución indica una derivación integral de mantenimiento con 3 breakers en la parte inferior del gabinete. La característica permite el aislamiento antes de interrumpir el UPS de la carga crítica para el mantenimiento del UPS.

El dibujo muestra el flujo de energía y la secuencia de operación del switch de derivación. Es importante seguir correctamente el procedimiento para evitar dañar el UPS o la caída de la carga crítica.

- 1 Coloque el UPS en derivación apagando el inversor (oprime el botón rojo y después el switch giratorio manual a derivación en la parte posterior del UPS)
- 2 Usando la llave, retire el tornillo del SW2 y cierre el SW2
- 3 Con la llave, retire el tornillo y abra el SW3
- 4 Abra el SW1

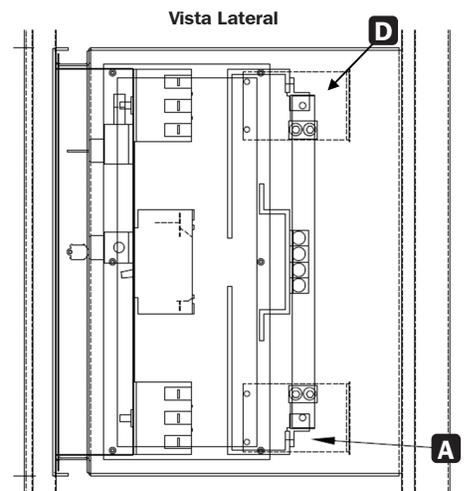
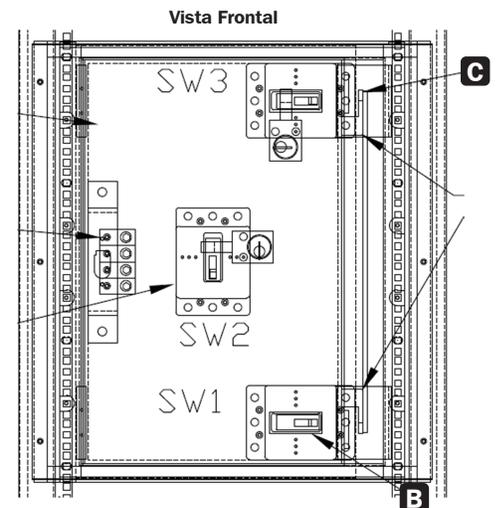
El UPS está ahora en derivación. Para regresar a la operación normal, invierta el proceso.



Cableado

El dibujo a continuación muestra los puntos de terminal de la entrada **A** de la red pública, la entrada en aislamiento del UPS **B**, y la salida en aislamiento del UPS **C**. La salida en derivación **D** está precableada al panel de distribución, lo que reduce el tiempo de instalación. Utilice la tabla adjunta como guía de cableado sujeta a los códigos NEC y locales. Para facilitar la instalación, se recomienda un cable y un conducto flexibles.

Los paneles de acceso están ubicados en el costado y la parte posterior del gabinete de derivación para acceder a los puntos de terminación.

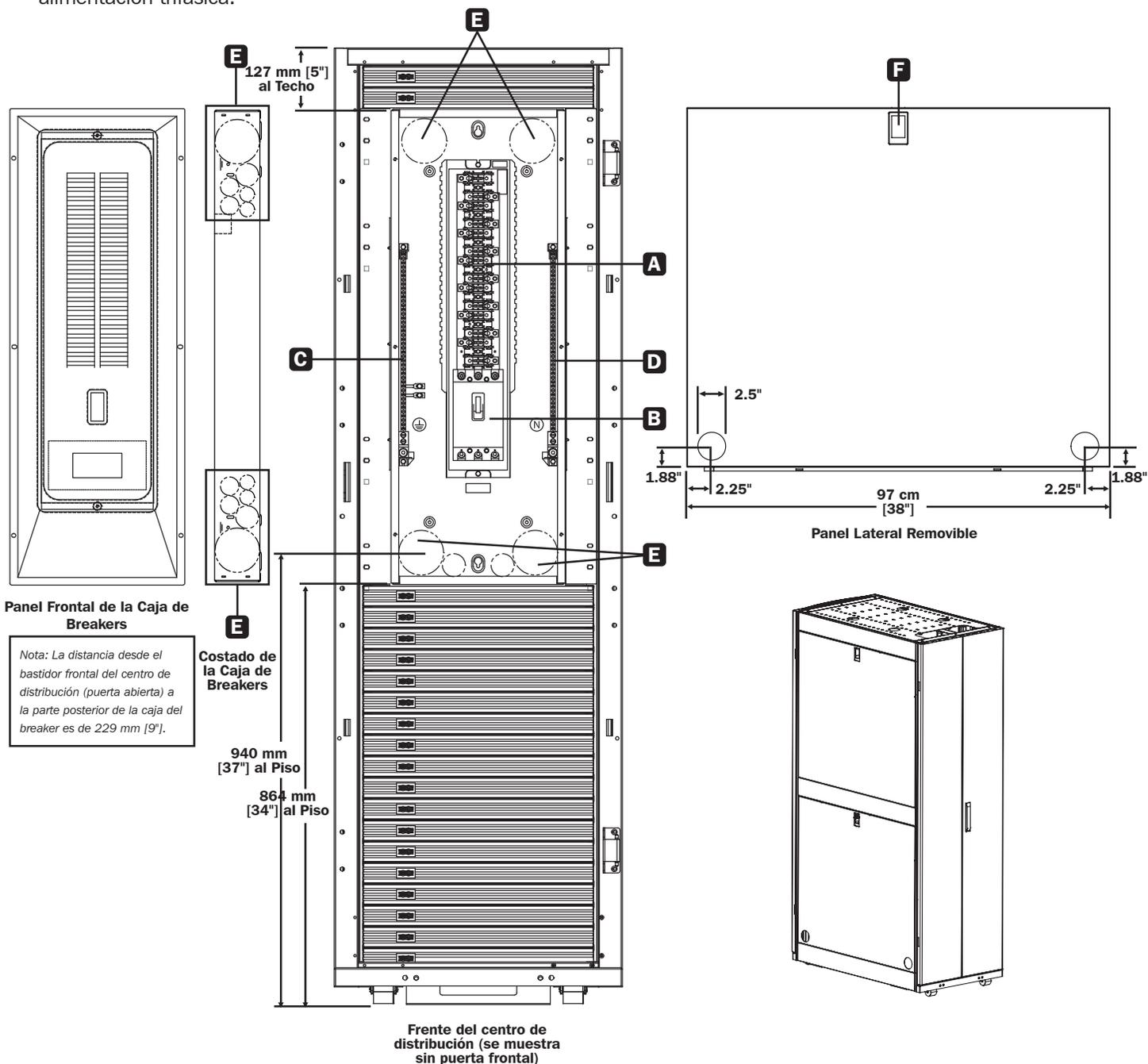


Pautas de Cableado

N/P de Tripp Lite	Voltaje	Postes de DP	Breaker de DP	MBP	Breaker de MBP	Especificación KAIC	Calibre del Cable
SUDC208V42P	208Y/120V	42	225A	-	-	10	000 AWG
SUDC208V42P30M	208Y/120V	42	225A	20Kva y 30kVA	100A	18	4 AWG
SUDC208V42P40M	208Y/120V	42	225A	40 kVA	150A	65	2 AWG
SUDC208V42P60M	208Y/120V	42	225A	60 kVA	225A	65	000 AWG
SUDC208V84P60M	208Y/120V	84	225A	60 kVA	225A	65	000 AWG

4. Características

- A Panel de Breakers de 42 Polos:** Los breakers del ramal de salida (vendidos por separado) encajan en este panel. Los juegos de cables de salida (vendidos por separado) se cablearán aquí. Advertencia: Use solamente breakers y juegos de cables de Tripp Lite.
- B Breaker Principal:** La fuente de alimentación trifásica será cableada a este breaker.
- C Barra de Conexión a Tierra:** Las conexiones a tierra serán cableadas a esta barra.
- D Barra de Neutro:** Las conexiones de neutro se cablearán a esta barra.
- E Recortes para Cableado:** Hay (24) recortes de $\frac{3}{4}$ " y (29) recortes de $\frac{1}{2}$ " distribuidos en la caja de breakers. (No todas las recortes se muestran en el diagrama. Los paneles superior e inferior de la caja de breakers también contienen recortes).
- F Panel Lateral Removible:** Si el centro de distribución está instalado en un piso de concreto, el cableado de la fuente de alimentación trifásica puede conducirse a través del recorte apropiado en el panel lateral removible. Puede instalar el panel lateral en la posición inferior en cualquier lado del centro de distribución para permitir la colocación de la fuente de alimentación trifásica.



5. Instalación del Gabinete



¡PRECAUCIÓN! ¡LEA TODAS LAS INSTRUCCIONES Y LAS ADVERTENCIAS ANTES DE REALIZAR LA INSTALACIÓN!

ADVERTENCIA: El centro de distribución es extremadamente pesado. No intente desempacar, mover o instalar el centro de distribución sin ayuda. Hasta que se haya instalado y estabilizado correctamente, el centro de distribución es propenso a volcarse y podría causar daños a la propiedad o lesiones personales. Tenga mucho cuidado al manejar el centro de distribución y asegúrese de seguir todas las instrucciones de manejo e instalación. No intente instalar el cableado sin estabilizar primero el centro de distribución.

5.1 Preparación

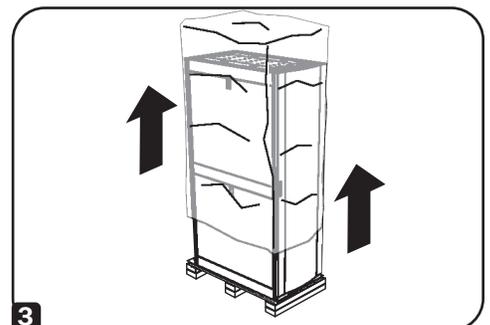
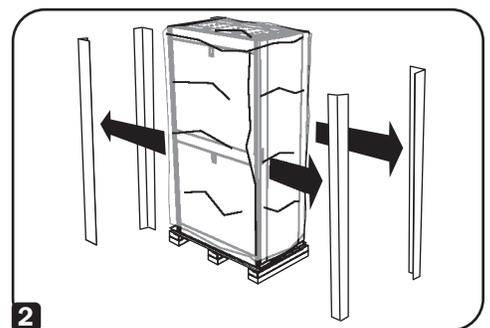
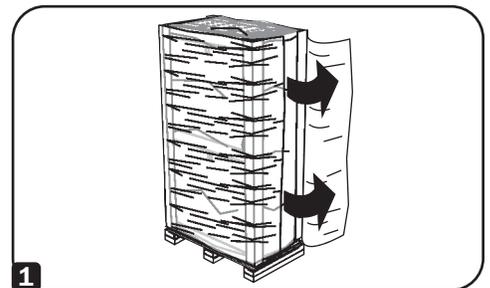
El centro de distribución debe instalarse en un área estructuralmente firme con un piso nivelado que pueda soportar el peso del centro de distribución, todo el cableado que se instalará en el centro de distribución y cualquier gabinete o equipo que se instalen cerca. Antes de desempacar el centro de distribución, debe transportar el contenedor de embarque más cerca de la ubicación de instalación final para minimizar la distancia que necesitará mover el centro de distribución después de haber retirado el empaque protector. Si planea almacenar el centro de distribución por un período prolongado antes de la instalación, siga las instrucciones en la sección de Almacenamiento y servicio.

Necesitará varias herramientas (suministradas por el usuario):

- Llave Española de 13 mm
- Cuchilla
- Destornillador Phillips
- Llave Española de 18 mm
- Nivel de Carpintero
- Destornillador Plano

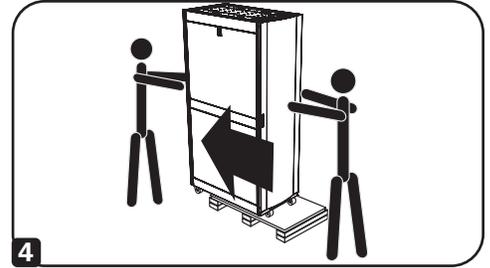
5.2 Desempaque

- 1** Confirme que el contenedor de embarque esté vertical y estable, a continuación, utilice una cuchilla para cortar la envoltura contráctil asegurando los protectores de esquina. Aplique la cuchilla directamente sobre los protectores de esquina para evitar que la cuchilla raye el centro de distribución o corte la pesada bolsa de plástico protectora debajo de la envoltura retráctil. **ADVERTENCIA: No raye el centro de distribución ni corte la pesada bolsa de plástico debajo de la envoltura contráctil. No empuje ni jale el centro de distribución durante el desempaque.**
- 2** Retire los protectores de esquina. Guarde todos los materiales de empaque (incluida la tarima) para uso posterior a menos que esté seguro de que no los necesitará. Los materiales de empaque son reciclables.
- 3** Retire la bolsa de plástico pesado que envuelve al centro de distribución. Examine el centro de distribución para detectar cualquier daño o parte suelta. Confirme que están todas las partes. Si falta una pieza o está dañada, póngase en contacto con Tripp Lite para obtener ayuda. No intente usar el centro de distribución si ha sido dañado.



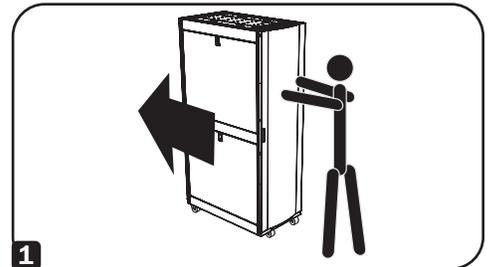
5. Instalación del Gabinete

- 4** Use una llave española de 13 mm para retirar los soportes de embarque en la parte frontal y posterior del centro de distribución. Sea extremadamente cuidadoso, ya que el centro de distribución podría volcarse inesperadamente después de retirar el soporte. Guarde los soportes y sus accesorios para uso posterior. Coloque al menos una persona en la parte delantera del centro de distribución y otra en la parte posterior del centro de distribución. Empuje lentamente el centro de distribución hacia la parte posterior de la tarima de embarque hasta que las cuatro ruedas rebasen el borde de la tarima y toquen el piso. **ADVERTENCIA: Use al menos un asistente al retirar el centro de distribución de la tarima. Sea extremadamente cuidadoso al desplazar el centro de distribución.**



5.3 Colocación

- 1** Utilice las ruedas para mover el centro de distribución a corta distancia sobre una superficie nivelada, lisa y estable empujando desde la parte delantera o trasera (no los paneles laterales). No intente rodar el centro de distribución a largas distancias. El centro de distribución debe trasladarse cerca de su ubicación de instalación dentro de su contenedor de embarque antes de desempacarlo. (Utilice un montacargas o gato para tarimas para mover el contenedor de embarque). **ADVERTENCIA: No empuje ni jale el centro de distribución en los paneles laterales ni jale del gabinete hacia usted.**



Si es necesario, el centro de distribución se puede levantar fijando 4 tornillos de ojo de diámetro M8 suministrados por el usuario en los orificios roscados colocados cerca de los ángulos superiores del centro de distribución.

Use tornillos de acero con un grado de resistencia nominal ISO de 8.8 o mayor. **ADVERTENCIA: solo operadores de equipos experimentados deben intentar levantar el centro de distribución. Use los equipos adecuados y siga todos los procedimientos y reglamentos de seguridad correspondientes.**

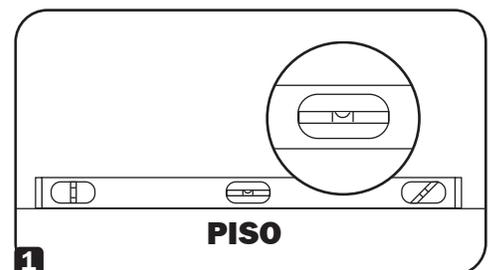
5.4 Nivelación



¡ADVERTENCIA!

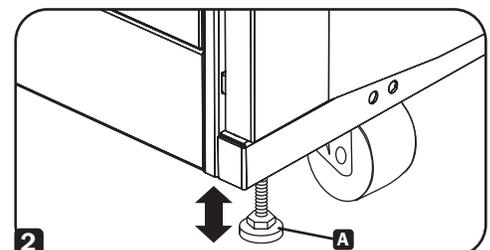
Nivele el centro de distribución antes de instalar el cableado. Las ruedas no están diseñadas para proporcionar soporte a largo plazo para el centro de distribución. Use los niveladores para proporcionar soporte a largo plazo.

- 1** Después de que el centro de distribución se ha trasladado a la ubicación de instalación, utilice un nivel de carpintero para comprobar la pendiente del piso. Si el piso tiene una pendiente mayor del 1 %, elija un sitio alternativo de instalación.



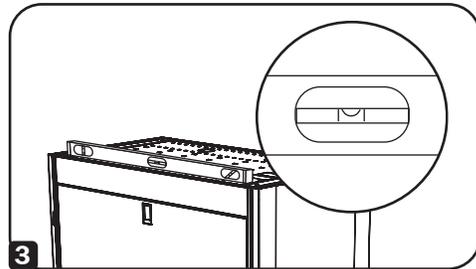
- 2** Use una llave española de 18 mm para bajar cada nivelador **A** hasta llegar al piso. (Hay 4 niveladores, 2 en el frente y 2 en la parte posterior). Asegúrese de que cada nivelador esté en contacto firmemente con el piso.

Nota: Baje un nivelador girándolo en sentido de las manecillas del reloj; eleve un nivelador girándolo en sentido opuesto a las manecillas del reloj.

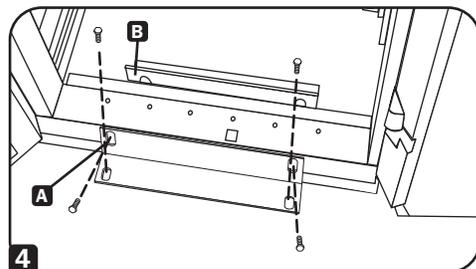


5. Instalación del Gabinete

3 Después de bajar cada nivelador, utilice el nivel del carpintero para confirmar que el centro de distribución está nivelado en todas direcciones. Ajuste los niveladores según sea necesario hasta que el centro de distribución esté nivelado.

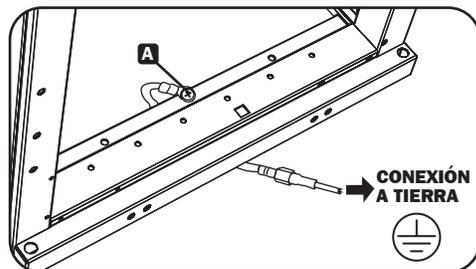


4 (Opcional) Si desea proporcionar una medida adicional de estabilidad, puede instalar los 2 soportes de embarque, usando los accesorios que sujetan el centro de distribución a la tarima de embarque. Use una llave española de 13 mm para conectar los soportes a los puntos de instalación del soporte externo **A** o interno **B** del centro de distribución. Fije los puntos seguros de instalación de los soportes en el piso utilizando los accesorios suministrado por el usuario o el juego de tornillos de sujeción de Tripp Lite (n.º de Parte SRBOLTDOWN).



5.5 Conexión de Tierra Física

Todas las partes del centro de distribución están conectadas a tierra con el bastidor del gabinete. Use el punto de conexión a tierra roscado delantero o trasero **A** del centro de distribución y un tornillo M6 (incluido) para conectar el bastidor del centro de distribución directamente a la conexión a tierra física de su instalación con un cable 8 AWG. Conduzca el cable de tierra bajo el marco del centro de distribución para asegurar la operación sin obstáculos de la puerta. **ADVERTENCIA: Conecte el centro de distribución a tierra física por separado—no encadenado con otros equipos. No use el centro de distribución sin una conexión a tierra física.**



6. Instalación de Cableado

6.1 Preparación

Advertencia: Todo el cableado debe ser realizado por un electricista calificado y certificado.

- Revise todo el manual antes de cablear el centro de distribución, incluidas todas las advertencias.
- Evalúe cómo conducirá la energía a la unidad, cableará todas las conexiones internas y conducirá la salida de energía de la unidad, tomando medidas cuidadosas.
- Las mediciones del cableado de entrada variarán para instalaciones de piso de concreto y piso elevado. Para más información, consulte la sección 6.5.
- El cableado para cablear la fuente de alimentación trifásica al centro de distribución no está incluido con el centro de distribución. Asegúrese de que el electricista suministre el cableado apropiado, de acuerdo con NEC y todas las demás regulaciones eléctricas locales o nacionales aplicables.
- Los juegos de cable de salida para conducción desde la parte superior del centro de distribución a sus racks y PDUs deben administrarse sistemáticamente, con la separación adecuada de cables de datos y energía. Tripp Lite ofrece una línea completa de accesorios externos para administración de cables (vendidos por separado), como SRCABLELADDER, SRCABLETRAY y SRCABLETRAYEXP.

Cómo Ordenar los Breakers y Juegos de Cables Requeridos

- Decida cuántos y qué tipo de breakers y cables de salida necesita (ver abajo).
- Comuníquese con su distribuidor o acuda a tripplite.com para ordenar.

Advertencia: Use solamente breakers y juegos de cables de Tripp Lite.

Nota: Al ordenar juegos de cables, ordene cables más largos que el mínimo requerido. El electricista puede recortar la sección de ROJ para un ajuste personalizado.

Breakers de Ramal de Salida Disponibles

Tripp Lite #	Descripción
SUBB120	Breaker de 20A, un Polo
SUBB230	Breaker de 30A, 2 polos
SUBB320	Breaker de 20A, 3 polos
SUBB330	Breaker de 30A, 3 polos

6. Instalación de Cableado

Juegos de Cables Disponibles

120V, Monofásico con conector L5-20R. Use con PDUs compatibles, como estos modelos de Tripp Lite: PDU1220T, PDU1420T, PDUNV, PDU40TDUAL, PDUMV20, PDUMV40, PDUMH20, PDUMNH20, PDUMNV20, PDUMV20NET, PDUMH20AT y PDUMH20ATNET.

Tripp Lite #	Longitud Total	Longitud ROJ	Cable	Conector	Breaker Compatible
SUWL520C-5	2.43 m [8 pies]	91 cm [3 pies]	Cable Trenzado 12 AWG	L5-20R	SUBB120
SUWL520C-10	3.96 m [13 pies]	91 cm [3 pies]	Cable Trenzado 12 AWG	L5-20R	SUBB120
SUWL520C-15	5.49 m [18 pies]	91 cm [3 pies]	Cable Trenzado 12 AWG	L5-20R	SUBB120
SUWL520C-20	7.01 m [23 pies]	91 cm [3 pies]	Cable Trenzado 12 AWG	L5-20R	SUBB120

Extensiones

Tripp Lite #	Longitud Total	Cable	Conector y Clavija	Breaker Compatible
SUWEL520C-3	91 cm [3 pies]	Cable Trenzado 12 AWG	L5-20R y L5-20P	SUBB120
SUWEL520C-20	6.1 m [20 pies]	Cable Trenzado 12 AWG	L5-20R y L5-20P	SUBB120

208/240V, Monofásico con Conector L6-30R. Use con PDUs compatibles, como estos modelos de Tripp Lite: PDU1230, PDUV30HV, PDUMV30HV, PDUMNV30HV, PDUMV30NET, PDUMV30HVNET y PDUMH30HVNET.

Tripp Lite #	Longitud Total	Longitud ROJ	Cable	Conector	Breaker Compatible
SUWL630C-5	2.43 m [8 pies]	91 cm [3 pies]	Cable Trenzado 10 AWG	L6-30R	SUBB230
SUWL630C-10	3.96 m [13 pies]	91 cm [3 pies]	Cable Trenzado 10 AWG	L6-30R	SUBB230
SUWL630C-15	5.49 m [18 pies]	91 cm [3 pies]	Cable Trenzado 10 AWG	L6-30R	SUBB230
SUWL630C-20	7.01 m [23 pies]	91 cm [3 pies]	Cable Trenzado 10 AWG	L6-30R	SUBB230
SUWL630C-25	8.53 m [28 pies]	91 cm [3 pies]	Cable Trenzado 10 AWG	L6-30R	SUBB230
SUWL630C-30	10.06 m [33 pies]	91 cm [3 pies]	Cable Trenzado 10 AWG	L6-30R	SUBB230
SUWL630C-35	11.58 m [38 pies]	91 cm [3 pies]	Cable Trenzado 10 AWG	L6-30R	SUBB230
SUWL630C-40	13.41 m [44 pies]	91 cm [3 pies]	Cable Trenzado 10 AWG	L6-30R	SUBB230

Extensiones

Tripp Lite #	Longitud Total	Cable	Conector y Clavija	Breaker Compatible
SUWEL630C-20	6.1 m [20 pies]	Cable Trenzado 10 AWG	L6-30R y L6-30P	SUBB230

6. Instalación de Cableado



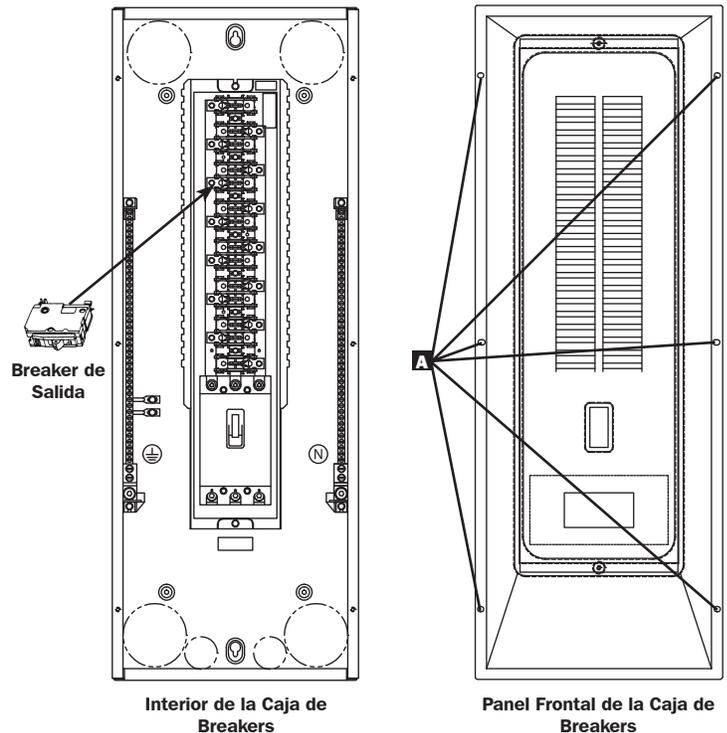
¡ADVERTENCIA!

¡Antes del cableado asegúrese de que todos los breakers (incluido el breaker principal del centro de distribución) estén en la posición de apagado y que la fuente de alimentación trifásica esté desenergizada!

6.2 Instalación de Breakers

- 1 Abra la puerta frontal del centro de distribución para acceder a la caja de breakers.
- 2 Retire 6 tornillos **A** del panel frontal de la caja de breakers, después retire el panel y colóquelo a un lado.
- 3 Decida qué posición de poste usar para cada uno de sus breakers requeridos y coloque cada breaker en su sitio.
- 4 Retire los recortes correspondientes en el panel frontal de la caja de breakers.

Nota: etiquete correctamente sus breakers en los espacios provistos para administrar mejor su sistema eléctrico (etiquetas no incluidas). También puede querer diferenciar la etiqueta entre diferentes racks y juegos de cables.

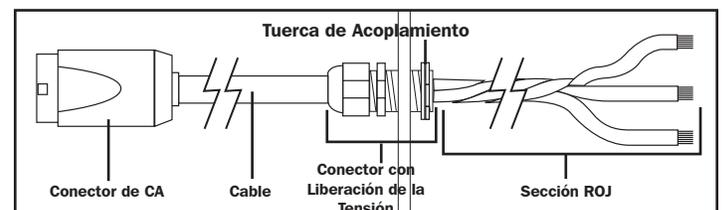
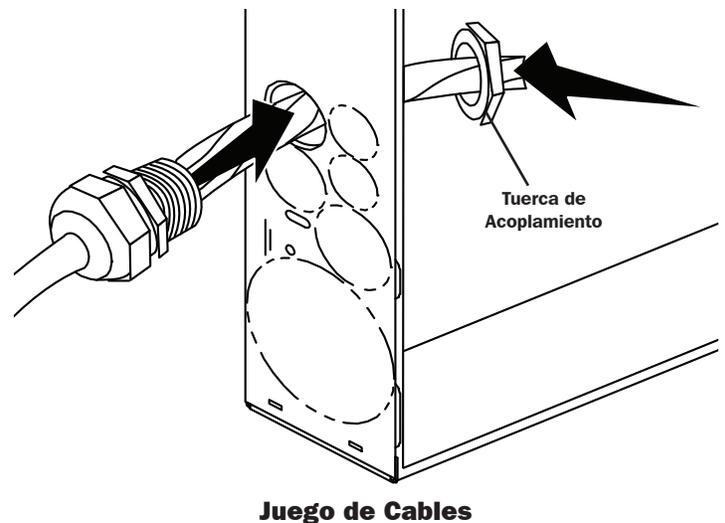


6.3 Instalación de Juegos de Cables

- 1 Pase primero el juego de cables a través de uno de los canales de acceso de cables en el techo del centro de distribución, sección ROJ. El canal que elija depende de la configuración de su juego de cables.
- 2 Seleccione un recorte en la caja de breakers y retire el inserto para ese recorte. El recorte que elija depende de la configuración de su juego de cables.

Nota: Hay (24) recortes de $\frac{3}{4}$ " y (29) recortes de $\frac{1}{2}$ " distribuidos en la caja de breakers.

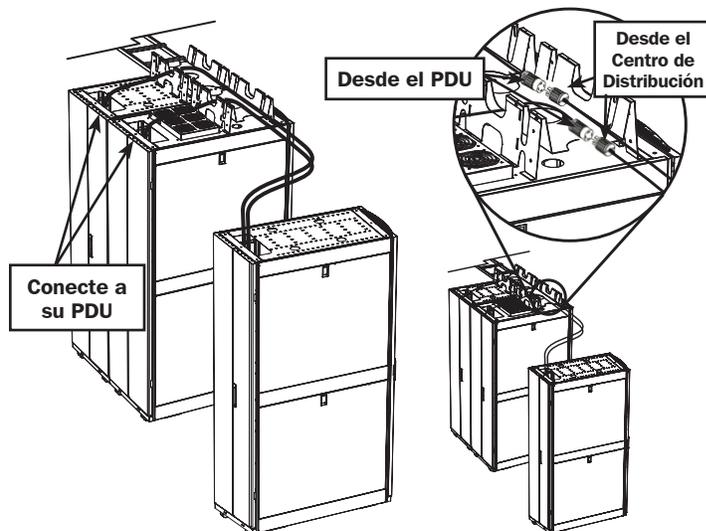
- 3 Retire la tuerca de acoplamiento del conector de liberación de la tensión del juego de cables.
- 4 Inserte la sección ROJ del juego de cables a través del recorte y en la caja de breakers. (Jale la sección ROJ a través del recorte hasta que el extremo roscado del conector de liberación de la tensión esté dentro de la caja del breaker.)
- 5 Inserte la sección de ROJ del cable juego a través de la tuerca de acoplamiento del conector de liberación de la tensión.
- 6 Fije la tuerca de acoplamiento al conector de liberación de la tensión y apriete, sujetando el juego de cable a la caja del breaker.



6. Instalación de Cableado

7 Después de instalar sus juegos de cables, conduzca y conecte estos cables de alimentación a los racks de su equipo.

- Instale la escalerilla, SRCABLELADDER, SRCABLETRAY y SRCABLETRAYEXP opcionales en sus racks para un fácil enrutamiento y administración de los cables.
- Comenzando con los juegos de cables para los racks más alejados del centro de distribución, conduzca cada cable a sus racks usando el sistema de administración de cables de su configuración.
- Conecte el juego de cable apropiado al PDU apropiado, ya sea dentro de su rack (a través de uno de los orificios de acceso de cables en el techo) o en la parte superior del techo de su rack dentro de la bandeja de administración de cables.



6.4 Cableado de los Breakers



¡PELIGRO! ¡RIESGO DE DESCARGA LETAL POR ALTO VOLTAJE!

El tendido del cableado debe estar a cargo de un electricista calificado y certificado, de conformidad con las advertencias descritas en este manual y con todos los códigos de seguridad y eléctricos aplicables. Un cableado incorrecto puede causar lesiones personales graves y daños a la propiedad.



Confirme que el breaker principal esté APAGADO antes de conectar cualquier cableado.

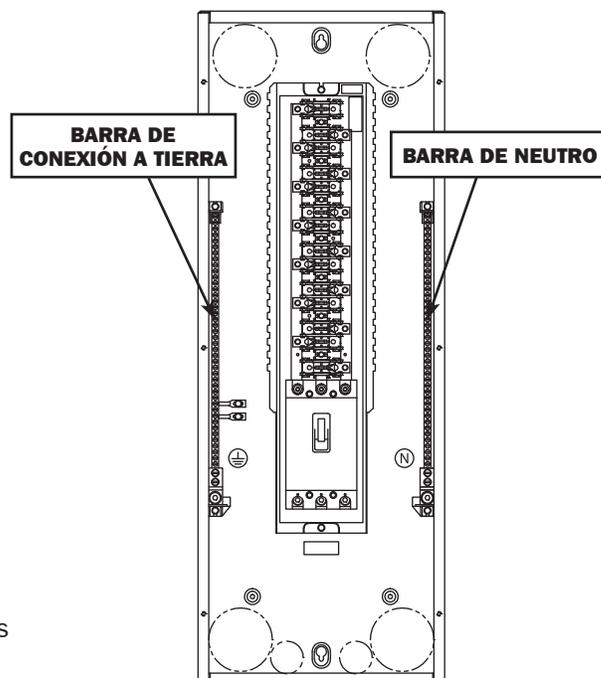
1 Conecte la sección ROJ de cada juego de cables al breaker, neutro y conexión a tierra apropiados, según corresponda. Deje los breakers en la posición "off" (apagado) hasta que todos los circuitos de carga estén completos.

2 **Juegos de Cables Conectados a Circuitos de 120V (Conectores L5-20R):**

- Conecte el cable verde a la barra de conexión a tierra.
- Conecte el cable blanco a la barra de neutro.
- Conecte el cable negro al breaker de 1 polo para ese circuito (asegúrese de que el conector del cable y el breaker de 1 polo estén etiquetados en forma correspondiente).

3 **Juegos de Cables Conectados a Circuitos de 208V (Conectores L6-30R):**

- Conecte el cable verde a la barra de conexión a tierra.
- Conecte el cable negro a 1 polo del breaker de 2 polos para ese circuito.
- Conecte el cable blanco al segundo polo del breaker de 2 polos para ese circuito.



6. Instalación de Cableado

6.5 Alimentación de Cableado

ADVERTENCIA: Antes de cablear el UPS trifásico al breaker principal del centro de distribución, APAGUE y cesenergice el UPS completamente.

El breaker principal acepta cableado de hasta 300 MCM. Los tamaños mínimos de cableado recomendados se muestran a continuación, pero el electricista debe realizar la determinación final de cableado para su configuración de acuerdo con NEC y todos los otros reglamentos eléctricos y de seguridad aplicables.

La energía de entrada a la entrada principal del centro de distribución debe ser trifásica, de 4 hilos + tierra desde una fuente trifásica de 120/208V. Se recomienda el uso de casquillos sobre alambre trenzado.

Capacidad de UPS Trifásico	Tamaño Mínimo de Cable Recomendado*
20 kVA	AWG 6
30kVA	3 AWG
40 kVA	1 AWG
60 kVA	000 AWG
>60kVA	No Compatible - No Lo Conecte

*Conductores Especificados a 90 °C

Piso Elevado

- Conduzca el cableado desde la fuente de alimentación trifásica, bajo el piso elevado y hacia arriba a través de la base abierta del centro de distribución.
- Use el recorte de conductos del centro inferior de la Caja de breakers debajo del breaker principal para conectar el conducto flexible de entrada.
- Cablee la fuente de alimentación trifásica a la parte inferior del breaker de entrada principal, neutro y tierra.

Piso de concreto

- Conduzca el cableado desde la fuente de alimentación trifásica a través del panel lateral inferior del centro de distribución. El panel lateral tiene dos recortes para acomodar el cableado—elijá el recorte más conveniente.

Nota: Puede instalar el panel lateral en la posición inferior en cualquier lado del centro de distribución para acomodar la colocación de la fuente de alimentación trifásica.

- Use el recorte de conductos del centro inferior de la Caja de breakers debajo del breaker principal para conectar el conducto flexible de entrada.
- Cablee la fuente de alimentación trifásica a la parte inferior del breaker de entrada principal, neutro y tierra.

Nota: para mantener la misma rotación de fase dentro del Tablero del Panel como salida de la fuente de CA, conecte las fases R, S y T (también conocidas como fases A, B y C) a las terminales del breaker principal de izquierda a derecha.

6.6 encendido

- Encienda la fuente de CA (sistema UPS), siguiendo todos los procedimientos normales de arranque para la fuente de CA.
- Encienda el breaker PRINCIPAL del centro de distribución. **¡Advertencia! Después de encender el breaker principal, se energizará la caja del breaker.**
- Verifique que los voltajes de fase son 208V (NOM), de fase neutra son 120V (NOM) y de neutro a tierra es 0V.
- Vuelva a colocar el panel frontal de la Caja de breakers.
- Cierre la puerta frontal del centro de distribución.
- Enchufe PDUs en los juegos de cables según sea necesario para alimentar su equipo.
- Encienda los Breakers del ramal de salida. **¡Advertencia! Después de encender los breakers del ramal de salida, se energizarán los juegos de cables y cualquier cosa enchufada en los juegos de cables.**

6.7 Apagado

- Para apagar todo el centro de distribución, APAGUE el breaker principal. **¡Advertencia! El cableado del sistema UPS permanecerá energizado hasta que APAGUE el sistema UPS.**
- Para apagar un circuito del ramal de salida, APAGUE el breaker del ramal de salida correspondiente. **¡Advertencia! La Caja de breakers permanecerá energizada hasta que APAGUE el breaker principal.**

7. Almacenamiento y Servicio

Almacenamiento

El centro de distribución debe almacenarse en un ambiente limpio y seguro con una temperatura inferior a 40° C (104° F) y una humedad relativa inferior al 95 % (sin condensación). De ser posible, almacene el centro de distribución en su contenedor de transporte original.

Servicio

Su producto Tripp Lite está cubierto por la garantía descrita en este manual. También están disponibles una gran variedad de Programas de Garantía Extendida y Servicio In Situ por parte de Tripp Lite. Para más información sobre el servicio, visite tripplite.com/support. Antes de devolver su producto para servicio, siga estos pasos:

1. Revise los procedimientos de instalación y operación en este manual para asegurar que el problema de servicio no se origina por una mala lectura de las instrucciones.
2. Si el problema persiste, no se ponga en contacto ni devuelva el producto al distribuidor. En vez de ello, visite tripplite.com/support.
3. Si el problema requiere de servicio, visite tripplite.com/support y haga clic en el enlace Devolución de productos. Desde aquí usted puede solicitar un número de Autorización de Devolución de Mercancía (RMA) que se requiere para el servicio. Este sencillo formulario en línea le solicitará los números de modelo y de serie de la unidad, junto con otra información general del comprador. El número de RMA junto con las instrucciones de embarque le serán enviadas por correo electrónico. Cualquier daño (directo, indirecto, especial o consecuencial) al producto incurrido durante el embarque a Tripp Lite o un Centro de Servicio Autorizado de Tripp Lite no está cubierto bajo la garantía. Los productos enviados a Tripp Lite o un Centro de Servicio Autorizado de Tripp Lite deben tener cargos de transporte prepagados. Marque el número de RMA en el exterior del empaque. Si el producto está dentro del período de garantía, adjunte una copia de su recibo de venta. Devuelva el producto para servicio a través de un transportista asegurado a la dirección que se le proporcionó cuando solicitó la RMA.

8. Garantía

Garantía Limitada

El vendedor garantiza este producto, si se usa de acuerdo con todas las instrucciones aplicables, de que está libre de defectos en material y mano de obra por un período de 1 año a partir de la fecha de compra inicial. Si el producto resultara defectuoso en material o mano de obra dentro de ese período, el vendedor reparará o reemplazará el producto a su entera discreción. El servicio cubierto por esta garantía incluye partes y mano de obra en un centro de servicio de Tripp Lite. En Tripp Lite están disponibles planes de servicio en sitio a través de socios de servicio autorizados (en la mayoría de las áreas). Para detalles, visite tripplite.com/support. Los clientes internacionales deben ponerse en contacto con el soporte de Tripp Lite en intlservice@tripplite.com.

ESTA GARANTÍA NO SE APLICA AL DESGASTE NORMAL O A LOS DAÑOS QUE RESULTEN DE ACCIDENTES, USO INCORRECTO, USO INDEBIDO O NEGLIGENCIA. EL VENDEDOR NO OTORGA GARANTÍAS EXPRESAS DISTINTAS A LA ESTIPULADA EN EL PRESENTE. SALVO EN LA MEDIDA EN QUE LO PROHÍBAN LAS LEYES APLICABLES, TODAS LAS GARANTÍAS IMPLÍCITAS,

INCLUIDAS TODAS LAS GARANTÍAS DE COMERCIABILIDAD O APTITUD, ESTÁN LIMITADAS EN DURACIÓN AL PERÍODO DE GARANTÍA ESTABLECIDO ANTERIORMENTE; Y ESTA GARANTÍA EXCLUYE EXPRESAMENTE TODOS LOS DAÑOS INCIDENTALES Y CONSECUENTES. (Algunos estados no permiten limitaciones en cuanto a la duración de una garantía y algunos estados no permiten la exclusión o limitación de daños incidentales o indirectos, de modo que es posible que las limitaciones anteriores no se apliquen a usted. Esta Garantía le otorga derechos legales específicos y es posible que usted goce de otros derechos que pueden variar de una jurisdicción a otra).

Tripp Lite; 1111 W. 35th Street; Chicago IL 60609; EE. UU.

ADVERTENCIA: antes de usarlo, cada usuario debe tener cuidado al determinar si este dispositivo es adecuado o seguro para el uso previsto. Ya que las aplicaciones individuales están sujetas a gran variación, el fabricante no garantiza la adecuación de estos dispositivos para alguna aplicación específica.

Información de cumplimiento de WEEE para clientes y recicladores de Tripp Lite (Unión Europea)



Conforme a la Directiva de Residuos de Equipos Eléctricos y Electrónicos (WEEE) y regulaciones aplicables, cuando los clientes adquieren un equipo eléctrico y electrónico nuevo de Tripp Lite están obligados a:

- Enviar equipos viejos para reciclaje del mismo tipo y en el mismo número (esto varía de un país a otro)
- Devolver el equipo nuevo para fines de reciclaje una vez que finalmente se convierta en residuo

No se recomienda el uso de este equipo en aplicaciones de soporte de vida en donde razonablemente se pueda esperar que la falla de este equipo cause la falla del equipo de soporte de vida o afecte significativamente su seguridad o efectividad.

Tripp Lite tiene una política de mejora continua. Las especificaciones están sujetas a cambio sin previo aviso. Las fotografías e ilustraciones pueden diferir ligeramente de los productos reales.



Manuel de l'utilisateur

Centre de distribution de l'alimentation

Modèle : SUDC208V42P

Table des matières

1. Introduction	32	6. Installation du câblage	39
2. Consignes de sécurité importantes	32	6.1 Préparation	39
3. Séquence de fonctionnement SUDC	34	6.2 Installation des disjoncteurs	41
4. Caractéristiques	35	6.3 Installation des ensembles de cordons	41
5. Installation de l'armoire	36	6.4 Câblage des disjoncteurs	42
5.1 Préparation	36	6.5 Câblage de l'alimentation d'entrée	43
5.2 Déballage	36	6.6 Mise sous tension	43
5.3 Placement	37	6.7 Mise hors tension	43
5.4 Mise au niveau	37	7. Entreposage et entretien	44
5.5 Connexion à la terre	38	8. Garantie	45
		English	1
		Español	16



1111 W. 35th Street, Chicago, IL 60609 USA • triplite.com/support

Droits d'auteur © 2020 Tripp Lite. Tous droits réservés.

1. Introduction

Le centre de distribution de l'alimentation SUDC208V42P de Tripp Lite accepte de l'alimentation d'entrée triphasée d'onduleurs de 120/208 V, 20 à 60 kVA et distribue de l'alimentation de sortie monophasée et triphasée vers les bâtis de l'équipement du centre de données. La distribution de l'alimentation par le biais de disjoncteurs individuels et des ensembles de cordons correspondants maximise la souplesse, équilibre les charges critiques et fournit une protection contre les surtensions au circuit de dérivation.

2. Consignes de sécurité importantes



CONSERVER CES INSTRUCTIONS.

Toutes les sections de ce manuel contiennent des instructions et des avertissements qui doivent être suivis lors de l'installation et du fonctionnement du produit décrit dans ce manuel. Lire TOUTES les instructions avant de tenter de déplacer, d'installer ou de câbler ce produit. Le non-respect de ces instructions peut annuler la garantie et causer des dommages graves à la propriété et/ou des blessures.

Avertissements concernant l'emplacement

- Installer le centre de distribution dans un environnement intérieur contrôlé, à l'écart de l'humidité, des températures extrêmes, des liquides et des gaz inflammables, des contaminants conducteurs, de la poussière et de la lumière directe du soleil.
- Utiliser le centre de distribution à des températures intérieures entre 32 °F et 104 °F (entre 0 °C et 40 °C) seulement.
- Laisser un espace libre adéquat autour du centre de distribution pour la ventilation, l'entretien et l'accès facile aux dispositifs internes. Ne pas bloquer, couvrir ou insérer des objets dans les ouvertures de ventilation externes.
- Ne placer aucun objet sur le centre de distribution, en particulier des récipients contenant un liquide.
- Ne pas essayer d'empiler le centre de distribution. Tenter d'empiler le centre de distribution pourrait causer des dommages permanents et créer un potentiel de sévices graves à la personne.
- Pour des situations d'urgence, installer un extincteur conçu pour les incendies d'équipement électrique alimenté (de classe C ou l'équivalent exact, avec un agent d'extinction non conducteur) à proximité du centre de distribution.

Avertissements concernant l'installation

- Le centre de distribution est conçu pour accueillir sa boîte de disjoncteurs préinstallée seulement. Ne PAS tenter d'installer de l'équipement en bâti à l'intérieur du centre de distribution.
- Le centre de distribution est extrêmement lourd. Faire preuve de vigilance lors de la manutention du centre de distribution. Ne pas tenter de le déballer, de le déplacer ou de l'installer sans assistance. Utiliser un dispositif mécanique comme un chariot élévateur à fourche ou un transpalette manuel pour déplacer le centre de distribution dans le conteneur d'expédition.
- Inspecter le conteneur d'expédition et le centre de distribution à la recherche de dommages visibles qui auraient pu survenir en cours de transport. S'il est déterminé que le centre de distribution a été endommagé durant l'expédition ou si quelque chose semble manquer, contacter Tripp Lite pour obtenir de l'aide. Ne pas utiliser si le centre de distribution est endommagé.
- Laisser le centre de distribution dans le conteneur d'expédition jusqu'à ce qu'il soit déplacé aussi près que possible de l'emplacement d'installation final. Les roulettes sont conçues pour des ajustements de position mineurs à l'emplacement final de l'installation seulement. Les roulettes ne sont pas conçues pour des déplacements sur de grandes distances.
- Les roulettes ne sont pas conçues pour fournir un support à long terme au centre de distribution après l'installation finale. Utiliser les vérins pour fournir un support à long terme.
- Installer le centre de distribution dans un endroit solidement construit capable de supporter la charge, ou sur un plancher au niveau capable de supporter le poids du centre de distribution et de tout l'équipement qui sera installé à proximité.
- Ne pas déplacer le centre de distribution en poussant sur ses panneaux latéraux. Le fait de pousser sur les panneaux latéraux crée un risque de basculement.

2. Consignes de sécurité importantes

- Si le centre de distribution est déplacé sur ses roulettes, toujours le pousser par-derrière; ne jamais le tirer vers soi.
- Sans supervision adéquate, un centre de distribution déplacé sur ses roulettes peut causer des blessures corporelles et des pertes matérielles. Si le centre de distribution doit être roulé vers le bas d'une rampe, procéder avec la plus grande prudence. Ne pas tenter d'utiliser des rampes qui ont une pente supérieure à 1:12.
- Ne pas incliner le centre de distribution ni le coucher sur le côté.
- Faire preuve de vigilance au moment de couper le matériel d'emballage. Le centre de distribution pourrait être égratigné, causant des dommages qui ne sont pas couverts par la garantie.
- Conserver tout le matériel d'emballage en vue d'une utilisation ultérieure. Remballer et expédier le centre de distribution sans le matériel d'emballage d'origine pourrait causer des dommages au produit qui ne sont pas couverts par la garantie.
- Ne pas tenter de déballer ou de déplacer le centre de distribution sans aide. Utiliser de l'équipement de manutention approprié pouvant supporter le poids et l'encombrement du centre de distribution, comme un monte-charge, un transpalette et un chariot élévateur à fourche. (Déplier complètement les fourches sous la charge. Écarter les fourches le plus possible sous la charge. Soulever l'armoire à partir du bas seulement. Porter des chaussures de sécurité.) Confirmer que le poids combiné du centre de distribution emballé, de l'équipement de manutention et du personnel ne dépasse pas les limites de charge pour le monte-charge, l'équipement de manutention et les planchers le long de l'itinéraire de transport. Confirmer que le centre de distribution passera à travers les portes le long de l'itinéraire prévu.
- Le centre de distribution est retenu avec du film étirable pour le protéger pendant l'expédition et le déplacement à l'intérieur de l'installation. Enlever le film étirable du centre de distribution une fois que le centre de distribution se trouve dans son emplacement d'installation final — et non pas avant.
- Si le centre de distribution est ancré au sol, installer des boulons d'ancrage appropriés dans le trou de montage qui se trouve dans la partie inférieure de l'armoire. Utiliser des rondelles pour créer une surface au niveau entre les zones de montage et les boulons d'ancrage.
- Faire preuve de la plus grande prudence lors du retrait des boulons fixant le centre de distribution à la palette d'expédition.



DANGER! DANGER MORTEL, HAUTE TENSION!

Tout le câblage doit être effectué par un électricien qualifié en conformité avec les avertissements se trouvant dans ce manuel et avec tous les codes de sécurité et d'électricité applicables. Un câblage incorrect risque de causer des dommages graves à la propriété ou des blessures.

Avertissements concernant le câblage

- **Tout le câblage doit être effectué par un électricien qualifié et certifié. S'assurer de connaître la procédure pour déconnecter l'électricité en cas d'urgence. Ne pas travailler seul/seule. Utiliser des vêtements de protection et des outils appropriés. Suivre toutes les réglementations applicables concernant la sécurité et le câblage électrique.**
- Le centre de distribution contient des hautes tensions dangereuses qui ont le potentiel de causer des blessures ou la mort par électrocution.
- Le centre de distribution doit être correctement mis à la terre conformément à toutes les réglementations sur le câblage électrique.
- Désactiver toutes les sources d'alimentation avant d'installer les câbles ou de faire les connexions électriques.
- Utiliser un câble flexible de longueur suffisante pour permettre l'entretien du centre de distribution.
- Confirmer que tous les câbles sont marqués correctement en fonction de leurs fins, de leur polarité et de leur diamètre.

3. Séquence de fonctionnement SUDC

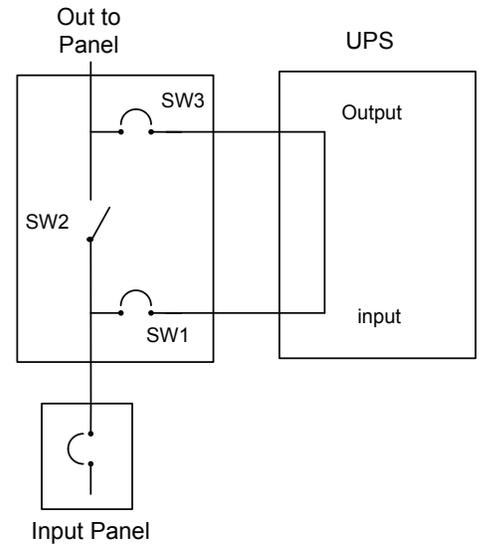
SUDC208V42P30M, SUDC208V42P40M, SUDC208V42P60M et SUDC208V84P60M

Le suffixe 30M/40M/60M du numéro de pièce du centre de distribution indique une dérivation d'entretien intégrale à 3 disjoncteurs dans la partie inférieure de l'armoire. Cette caractéristique permet l'isolation à court-circuit de l'onduleur de la charge critique pour l'entretien de l'onduleur.

Le dessin illustre le flux d'énergie et la séquence de fonctionnement du commutateur de dérivation. Il est important de suivre correctement la procédure afin d'éviter d'endommager l'onduleur ou la chute de la charge critique.

- 1** Mettre l'onduleur en mode de dérivation en mettant le convertisseur en position OFF (arrêt) (appuyer sur le bouton rouge, puis tourner l'interrupteur rotatif manuel en position de dérivation (bypass) à l'arrière de l'onduleur).
- 2** À l'aide de la clé, rétracter le boulon SW2 et fermer SW2.
- 3** À l'aide de la clé, rétracter le boulon et ouvrir SW3.
- 4** Ouvrir SW1.

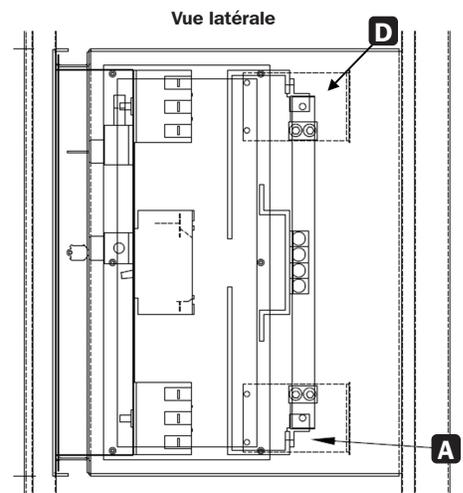
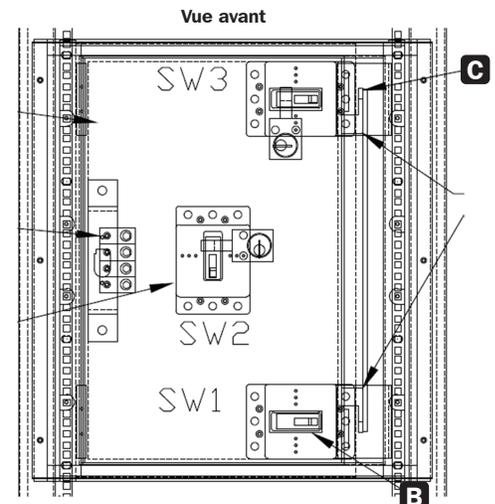
L'onduleur se trouve maintenant en mode de dérivation. Pour revenir au fonctionnement normal, inverser le processus.



Câblage

Le dessin ci-dessous illustre l'entrée d'alimentation de dérivation **A**, l'entrée d'isolation de l'onduleur **B** et les points d'extrémité **C** de la sortie d'isolation de l'onduleur. La sortie de dérivation **D** est connectée au panneau de distribution au préalable, ce qui réduit le temps d'installation. Utiliser le tableau ci-joint comme lignes directrices pour le câblage sujet au Code national de l'électricité (NEC) et aux codes locaux. Un câble et un conduit flexibles sont recommandés pour faciliter l'installation.

Les panneaux d'accès se trouvent sur le côté et à l'arrière du boîtier de dérivation pour accéder aux points d'extrémité.

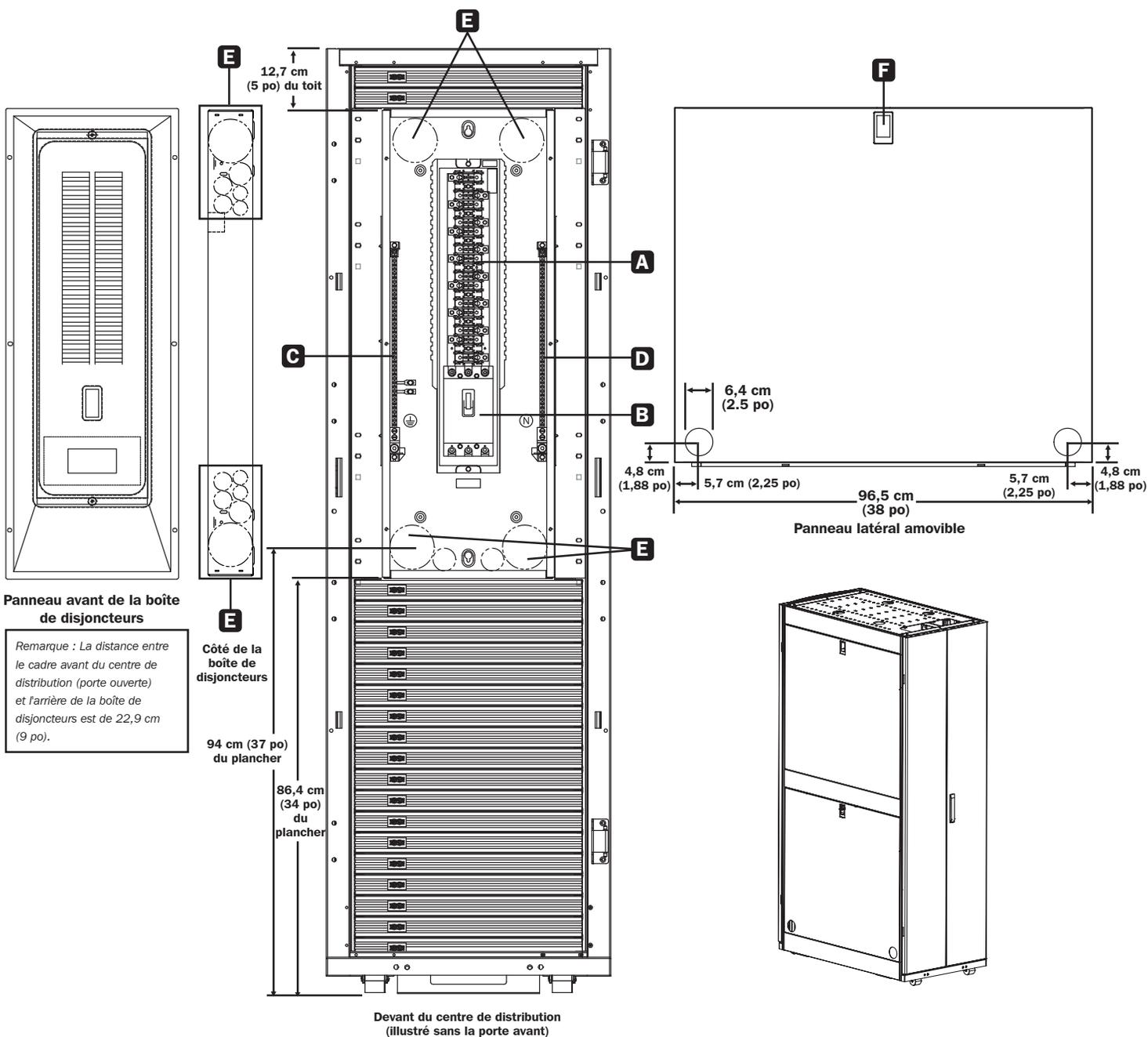


Lignes directrices pour le câblage

N/P Tripp Lite	Tension	Pôles DP	Disjoncteur DP	Panneau de dérivation d'entretien (MBP)	Disjoncteur du panneau de dérivation d'entretien (MBP)	Valeur nominale KAIC	Taille du câble
SUDC208V42P	208 Y/120 V	42	225 A	-	-	10	000 AWG
SUDC208V42P30M	208 Y/120 V	42	225 A	20 et 30 kVA	100 A	18	4 AWG
SUDC208V42P40M	208 Y/120 V	42	225 A	40 kVA	150 A	65	2 AWG
SUDC208V42P60M	208 Y/120 V	42	225 A	60 kVA	225 A	65	000 AWG
SUDC208V84P60M	208 Y/120 V	84	225 A	60 kVA	225 A	65	000 AWG

4. Caractéristiques

- A Panneau de disjoncteurs à 42 pôles :** les disjoncteurs de dérivation de sortie (vendus séparément) s'enclenchent dans ce panneau. Les ensembles de cordons de sortie (vendus séparément) seront connectés ici. Avertissement : Utiliser des disjoncteurs et des ensembles de cordons Tripp Lite seulement.
- B Disjoncteur principal :** la source d'alimentation triphasée sera connectée à ce disjoncteur.
- C Barre de mise à la terre :** les connexions de mise à la terre seront connectées à cette barre.
- D Barre neutre :** les connexions neutres seront connectées à cette barre.
- E Entrées défonçables pour le câblage :** il y a (24) entrées défonçables de 1,9 cm ($\frac{3}{4}$ po) et (29) entrées défonçables de 1,3 cm ($\frac{1}{2}$ po) réparties dans la boîte de disjoncteurs. (Les entrées défonçables en sont pas toutes illustrées dans le schéma. Les panneaux supérieur et inférieur de la boîte de disjoncteurs contiennent également des entrées défonçables.)
- F Panneau latéral amovible :** si le centre de distribution est installé sur un sol en béton, le câblage provenant de la source d'alimentation triphasée peut être acheminé à travers l'entrée défonçable appropriée dans le panneau latéral amovible. Le panneau latéral peut être installé dans la position inférieure d'un côté ou l'autre du centre de distribution pour permettre le placement de la source d'alimentation triphasée.



5. Installation de l'armoire



MISE EN GARDE! LIRE TOUTES LES INSTRUCTIONS ET LES AVERTISSEMENTS AVANT DE PROCÉDER À L'INSTALLATION!

AVERTISSEMENT : Le centre de distribution est extrêmement lourd. Ne pas tenter de déballer, de déplacer ou d'installer le centre de distribution sans aide. Avant qu'il ne soit correctement installé et stabilisé, le centre de distribution est sujet à basculer et pourrait causer des dommages graves à la propriété ou des blessures. Faire preuve de la plus grande vigilance lors de la manutention du centre de distribution et s'assurer de respecter toutes les instructions concernant la manutention et l'installation. Ne pas tenter d'installer le câblage sans d'abord stabiliser le centre de distribution.

5.1 Préparation

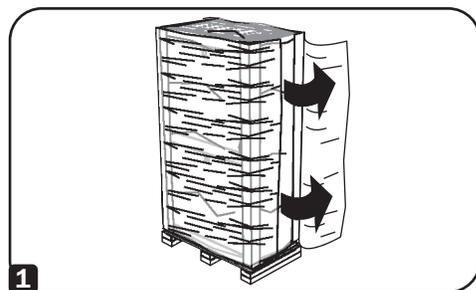
Le centre de distribution doit être installé dans un endroit solidement construit capable de supporter la charge, ou sur un plancher plan capable de supporter le poids du centre de distribution, de tout le câblage qui sera installé dans le centre de distribution et de tout autre boîtier et/ou équipement qui sera installé à proximité. Avant de déballer le centre de distribution, il est recommandé de transporter le conteneur d'expédition à proximité de l'emplacement d'installation finale afin de minimiser la distance sur laquelle le centre de distribution devra être déplacé une fois que le conteneur d'expédition de protection aura été enlevé. S'il est prévu que le centre de distribution soit entreposé pendant une période prolongée avant l'installation, suivre les instructions de la section Entreposage et entretien.

Plusieurs outils sont requis (fournis par l'utilisateur) :

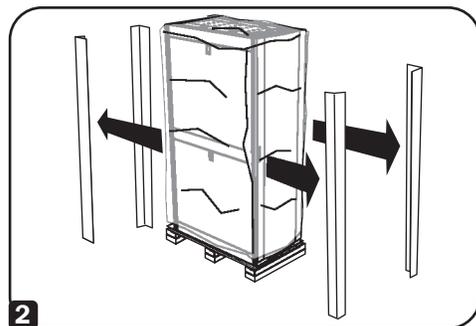
- Clé à fourche de 13 mm
- Clé à fourche de 18 mm
- Lame utilitaire
- Niveau de menuisier
- Tournevis Phillips
- Tournevis à tête plate

5.2 Déballage

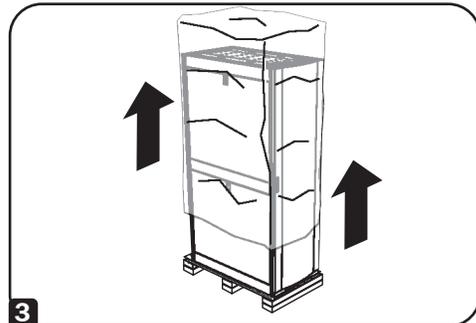
1 Confirmer que le conteneur d'expédition est en position debout et stable, puis utiliser une lame utilitaire pour couper le film thermorétractable qui retient les cornières de protection. Appliquer la lame utilitaire directement sur les cornières de protection pour empêcher la lame utilitaire d'égratigner le centre de distribution ou de couper le sac de protection en plastique épais sous le film thermorétractable. **AVERTISSEMENT : Ne pas égratigner le centre de distribution ou couper le sac en plastique épais sous le film thermorétractable. Ne pas pousser ni tirer sur le centre de distribution pendant qu'il se trouve dans l'emballage.**



2 Retirer les cornières de protection. Conserver le matériel d'emballage (y compris la palette) pour un usage ultérieur à moins d'avoir la certitude que cela ne sera pas nécessaire. Le matériel d'emballage est recyclable.

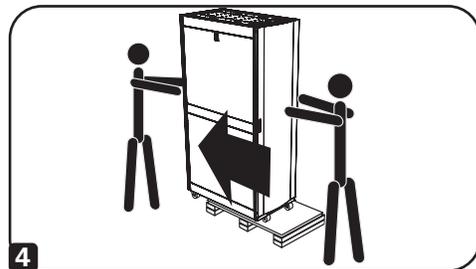


3 Retirer le sac en plastique épais entourant le centre de distribution. Vérifier que le centre de distribution n'est pas endommagé et qu'il n'y a pas de pièces desserrées. Confirmer qu'il ne manque aucune pièce. Si quoi que ce soit manque ou est endommagé, contacter Tripp Lite pour obtenir de l'aide. Ne pas tenter d'utiliser le centre de distribution s'il a été endommagé.



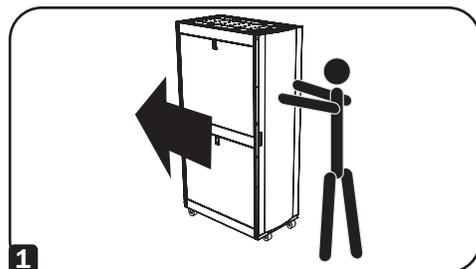
5. Installation de l'armoire

- 4** Utiliser une clé à fourche de 13 mm pour retirer les supports d'expédition à l'avant et à l'arrière du centre de distribution. Faire preuve d'une prudence extrême, car le centre de distribution risque de se déplacer de manière imprévue après le retrait des supports. Conserver les supports et la quincaillerie des supports pour une utilisation ultérieure. Placer au moins une personne à l'avant du centre de distribution et une personne à l'arrière du centre de distribution. Pousser lentement le centre de distribution vers l'arrière de la palette d'expédition jusqu'à ce que les quatre roulettes dépassent le bord de la palette et touchent le sol. **AVERTISSEMENT : Utiliser l'aide d'au moins un assistant au moment d'enlever le centre de distribution de la palette. Faire preuve d'une très grande prudence en déplaçant le centre de distribution.**



5.3 Placement

- 1** Utiliser les roulettes pour déplacer le centre de distribution sur une courte distance sur une surface plane, lisse et stable en le poussant à partir de l'avant et de l'arrière et non pas sur les côtés. Ne pas tenter de rouler le centre de distribution sur de grandes distances. Le centre de distribution doit être déplacé à proximité de son emplacement d'installation à l'intérieur de son conteneur d'expédition avant qu'il ne soit déballé. (Utiliser un chariot élévateur à fourche ou un transpalette manuel pour déplacer le conteneur.) **AVERTISSEMENT : Ne pas déplacer le centre de distribution en poussant ou en tirant sur ses panneaux latéraux ou en tirant le centre de distribution vers soi.**



Si nécessaire, le centre de distribution peut être soulevé en fixant 4 boulons à œil de diamètre M8 fournis par l'utilisateur dans les trous filetés près des coins supérieurs du cadre du centre de distribution. Utiliser des boulons en acier avec une valeur nominale de solidité ISO de 8,8 ou plus. **AVERTISSEMENT : Seuls des opérateurs d'équipement expérimentés devraient tenter de soulever le centre de distribution. Utiliser de l'équipement approprié et suivre tous les procédures et règlements applicables en matière de sécurité.**

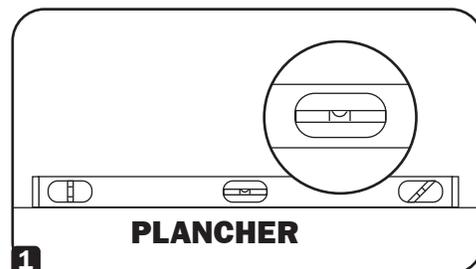
5.4 Mise au niveau



AVERTISSEMENT!

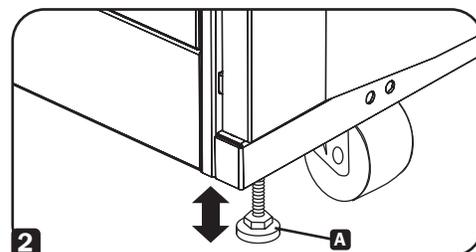
Mettre le centre de distribution au niveau avant de tenter d'installer le câblage. Les roulettes ne sont pas conçues pour fournir un support à long terme au centre de distribution. Utiliser les vérins pour fournir un support à long terme.

- 1** Après avoir déplacé le centre de distribution à son emplacement d'installation, utiliser un niveau de menuisier pour vérifier la pente du plancher. Si la pente du plancher est supérieure à 1 %, choisir un autre site d'installation.



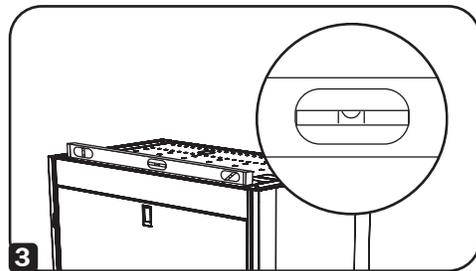
- 2** Utiliser une clé à fourche de 18 mm pour abaisser chaque vérin **A** jusqu'à ce qu'il atteigne le sol. (Il y a 4 vérins, 2 à l'avant et 2 à l'arrière.) S'assurer que chaque vérin touche solidement le sol.

Remarque : Descendre un vérin en le tournant dans le sens des aiguilles d'une montre; remonter un vérin en le tournant dans le sens contraire des aiguilles d'une montre.

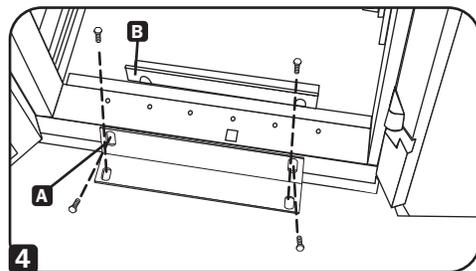


5. Installation de l'armoire

3 Après avoir descendu chaque vérin, utiliser le niveau de menuisier pour confirmer que le centre de distribution est au niveau dans toutes les directions. Régler les vérins au besoin jusqu'à ce que le centre de distribution soit au niveau.



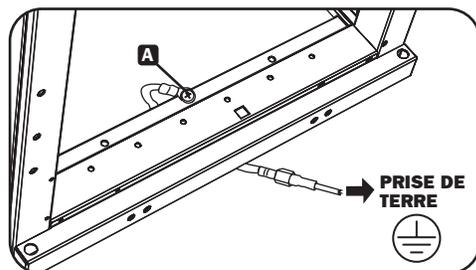
4 (Optionnel) Pour fournir une stabilité supplémentaire, les 2 supports d'expédition enlevés dans la section « Déballage » peuvent être fixés en utilisant la quincaillerie qui retenait le centre de distribution à la palette d'expédition. Utiliser une clé à fourche de 13 mm pour connecter les supports aux points de montage extérieurs **A** or intérieurs **B** du support du centre de distribution. Fixer les supports pour fixer les points de montage dans le plancher en utilisant de la quincaillerie fournie par l'utilisateur ou la trousse de fixation de Tripp Lite (n° d'article SRBOLTDOWN).



5.5 Connexion à la terre

Toutes les parties du centre de distribution sont mises à la masse sur le cadre du boîtier. Utiliser le point de mise à la masse fileté avant ou arrière du centre de distribution **A** et une vis M6 (incluse) pour connecter le cadre du centre de distribution directement à la connexion de mise à la masse de l'établissement avec un fil 8 AWG. Acheminer le fil de terre sous le cadre du centre de distribution pour s'assurer de ne pas entraver le fonctionnement de la porte.

AVERTISSEMENT : Fixer le centre de distribution à la mise à la terre séparément — et non pas en guirlande avec d'autre équipement. Ne pas utiliser le centre de distribution sans une connexion de mise à la masse.



6. Installation du câblage

6.1 Préparation

Avertissement : Tout le câblage doit être effectué par un électricien qualifié et certifié.

- Passer en revue le manuel en entier avant de procéder au câblage du centre de distribution, y compris tous les avertissements.
- Envisager comment acheminer l'alimentation dans l'appareil, câbler toutes les connexions internes et acheminer l'alimentation hors de l'appareil en prenant des mesures minutieuses.
- Les mesures du câblage d'entrée seront différentes pour les installations sur un plancher en béton et les installations sur un plancher surélevé. Consulter la section 6.5 pour de plus amples informations.
- Le câblage pour raccorder la source d'alimentation triphasée au centre de distribution n'est pas inclus avec le centre de distribution. S'assurer que l'électricien fournit le câblage approprié conformément au Code national de l'électricité (NEC) et à toutes les autres réglementations de câblage locales et nationales applicables.
- L'acheminement des ensembles de cordons de sortie depuis le dessus du centre de distribution vers les bâtis et les PDU devrait être géré de façon systématique, avec une séparation appropriée des câbles de données et des câbles d'alimentation. Tripp Lite offre une gamme complète d'accessoires de gestion externe des câbles (vendus séparément), y compris SRCABLELADDER, SRCABLETRAY et SRCABLETRAYEXP.

Commande de disjoncteurs et d'ensembles de câbles requis

- Déterminer combien et quel type de disjoncteurs de sortie et d'ensembles de cordons sont requis (voir ci-dessous).
- Contacter le distributeur ou visiter tripplite.com pour commander.

Avertissement : Utiliser des disjoncteurs et des ensembles de cordons Tripp Lite seulement.

Remarque : Au moment de commander des ensembles de cordons, commander des cordons plus longs que le minimum requis. L'électricien peut couper la section ROJ pour un ajustement adapté.

Disjoncteurs de dérivation de sortie disponibles

N° de Tripp Lite	Description
SUBB120	Disjoncteur de 20 A, unipolaire
SUBB230	Disjoncteur de 30 A, bipolaire
SUBB320	Disjoncteur de 20 A, à 3 pôles
SUBB330	Disjoncteur de 30 A, à 3 pôles

6. Installation du câblage

Ensembles de cordons disponibles

120 V, monophasé avec connecteur L5-20R. Utiliser avec les PDU compatibles, y compris ces modèles Tripp Lite : PDU1220T, PDU1420T, PDUNV, PDU40TDUAL, PDUMV20, PDUMV40, PDUMH20, PDUMNH20, PDUMNV20, PDUMV20NET, PDUMH20AT et PDUMH20ATNET.

N° de Tripp Lite	Longueur totale	Longueur ROJ	Fil	Connecteur	Disjoncteur compatible
SUWL520C-5	2,44 m (8 pi)	0,9 m (3 pi)	Fil pour torons 12 AWG	L5-20R	SUBB120
SUWL520C-10	4 m (13 pi)	0,9 m (3 pi)	Fil pour torons 12 AWG	L5-20R	SUBB120
SUWL520C-15	5,5 m (18 pi)	0,9 m (3 pi)	Fil pour torons 12 AWG	L5-20R	SUBB120
SUWL520C-20	7 m (23 pi)	0,9 m (3 pi)	Fil pour torons 12 AWG	L5-20R	SUBB120

Rallonges

N° de Tripp Lite	Longueur totale	Fil	Connecteur et fiche	Disjoncteur compatible
SUWEL520C-3	0,9 m (3 pi)	Fil pour torons 12 AWG	L5-20R et L5-20P	SUBB120
SUWEL520C-20	6 m (20 pi)	Fil pour torons 12 AWG	L5-20R et L5-20P	SUBB120

208/240 V, monophasé avec connecteur L6-30R. Utiliser avec des PDU compatibles, y compris ces modèles Tripp Lite : PDU1230, PDUV30HV, PDUMV30HV, PDUMNV30HV, PDUMV30NET, PDUMV30HVNET et PDUMH30HVNET.

N° de Tripp Lite	Longueur totale	Longueur ROJ	Fil	Connecteur	Disjoncteur compatible
SUWL630C-5	2,44 m (8 pi)	0,9 m (3 pi)	Fil pour torons 10 AWG	L6-30R	SUBB230
SUWL630C-10	4 m (13 pi)	0,9 m (3 pi)	Fil pour torons 10 AWG	L6-30R	SUBB230
SUWL630C-15	5,5 m (18 pi)	0,9 m (3 pi)	Fil pour torons 10 AWG	L6-30R	SUBB230
SUWL630C-20	7 m (23 pi)	0,9 m (3 pi)	Fil pour torons 10 AWG	L6-30R	SUBB230
SUWL630C-25	8,5 m (28 pi)	0,9 m (3 pi)	Fil pour torons 10 AWG	L6-30R	SUBB230
SUWL630C-30	10 m (33 pi)	0,9 m (3 pi)	Fil pour torons 10 AWG	L6-30R	SUBB230
SUWL630C-35	11,5 m (38 pi)	0,9 m (3 pi)	Fil pour torons 10 AWG	L6-30R	SUBB230
SUWL630C-40	13,4 m (44 pi)	0,9 m (3 pi)	Fil pour torons 10 AWG	L6-30R	SUBB230

Rallonges

N° de Tripp Lite	Longueur totale	Fil	Connecteur et fiche	Disjoncteur compatible
SUWEL630C-20	6 m (20 pi)	Fil pour torons 10 AWG	L6-30R et L6-30P	SUBB230

6. Installation du câblage



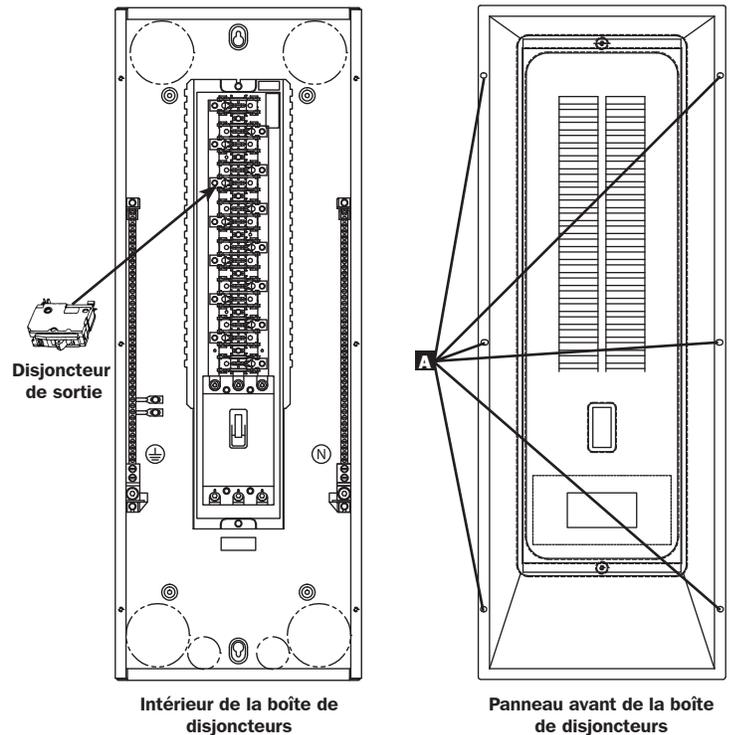
AVERTISSEMENT!

Avant de procéder au câblage, s'assurer que tous les disjoncteurs (y compris le disjoncteur principal du centre de distribution) se trouvent en position OFF (arrêt) et que la source d'alimentation triphasée est mise hors tension!

6.2 Installation des disjoncteurs

- 1 Ouvrir la porte avant du centre de distribution pour accéder à la boîte de disjoncteurs.
- 2 Retirer les 6 vis **A** du panneau avant de la boîte de disjoncteurs, puis retirer le panneau et le mettre de côté.
- 3 Décider quelle position de pôle utiliser pour chacun des disjoncteurs requis, puis enclencher chaque disjoncteur en place.
- 4 Retirer les entrées défonçables correspondantes du panneau avant de la boîte de disjoncteurs.

Remarque : Bien étiqueter les disjoncteurs dans les espaces fournis pour mieux gérer le système électrique (étiquettes non incluses). Il peut également s'avérer utile de différencier l'étiquetage entre les différents bâtis et ensembles de cordons.

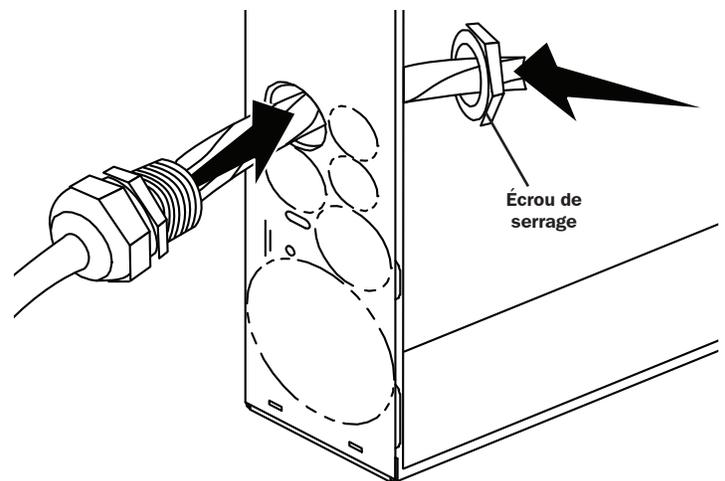


6.3 Installation des ensembles de cordons

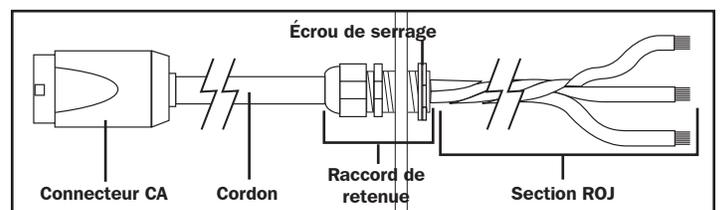
- 1 Passer l'ensemble de cordons dans l'un des canaux d'accès aux câbles dans le toit du centre de distribution, la section ROF en premier. Le canal choisi dépend de la configuration de l'ensemble de cordons.
- 2 Sélectionner une entrée défonçable dans la boîte de disjoncteurs, puis retirer la pièce pour cette entrée défonçable. L'entrée défonçable choisie dépend de la configuration de l'ensemble de cordons.

Remarque : Il y a (24) entrées défonçables de 1,9 cm (3/4 po) et (29) entrées défonçables de 1,3 cm (1/2 po) réparties dans la boîte de disjoncteurs.

- 3 Retirer l'écrou de serrage du raccord de retenue de l'ensemble de cordons.
- 4 Insérer la section ROJ de l'ensemble de cordons dans l'entrée défonçable, puis dans la boîte de disjoncteurs. (Tirer la section ROJ à travers l'entrée défonçable jusqu'à ce que l'extrémité fileté du raccord de retenue se trouve à l'intérieur de la boîte de disjoncteurs.)
- 5 Insérer la section ROJ de l'ensemble de cordons dans l'écrou de serrage du raccord de retenue.
- 6 Fixer l'écrou de serrage au raccord de retenue, puis serrer pour fixer l'ensemble de cordons à la boîte de disjoncteurs.



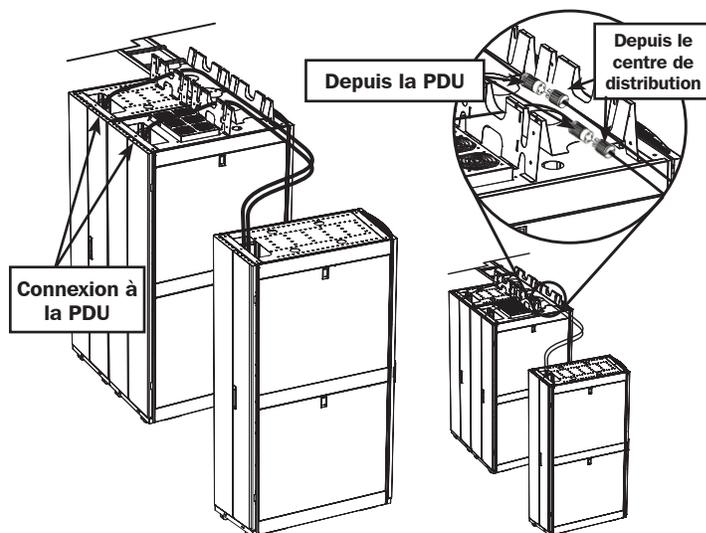
Ensemble de cordons



6. Installation du câblage

7 Après avoir fixé les ensembles de cordons, acheminer, puis fixer ces câbles d'alimentation aux bâtis de l'équipement.

- Installer le SRCABLELADDER, SRCABLETRAY et SRCABLETRAYEXP en option aux bâtis pour un acheminement et une gestion plus faciles des câbles.
- En commençant avec les ensembles de cordons pour les bâtis les plus éloignés du centre de distribution, acheminer chaque câble vers les bâtis en utilisant le système de gestion des câbles de la configuration.
- Connecter l'ensemble de cordons approprié à la PDU appropriée, soit à l'intérieur du bâti (à travers l'un des trous d'accès aux câbles dans le toit) ou soit sur le dessus du toit du bâti à l'intérieur du plateau de gestion des câbles.



6.4 Câblage des disjoncteurs



DANGER! DANGER MORTEL, HAUTE TENSION!

Tout le câblage doit être effectué par un électricien qualifié et certifié en conformité avec les avertissements se trouvant dans ce manuel, avec tous les codes de sécurité et de l'électricité applicables. Un câblage incorrect risque de causer des dommages graves à la propriété ou des blessures.



Confirmer que le disjoncteur principal se trouve en position OFF (arrêt) avant de procéder à tout câblage.

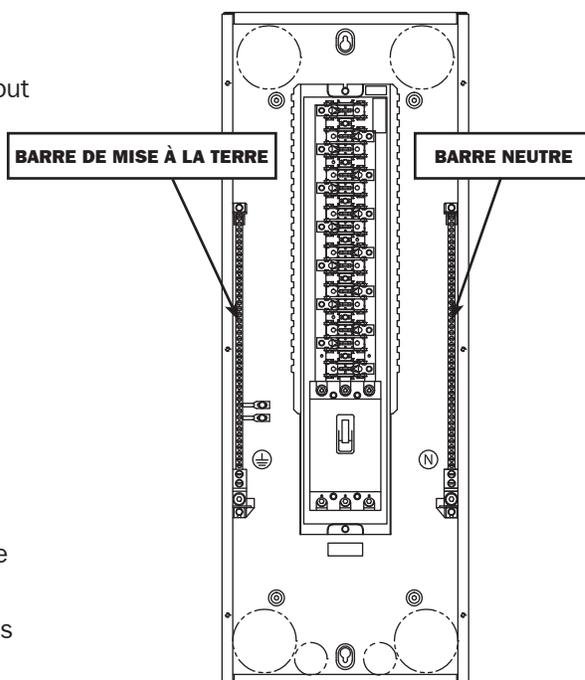
1 Raccorder la section ROJ de chaque ensemble de cordons au disjoncteur approprié, neutre et mise à la terre, selon le cas. Laisser les disjoncteurs en position OFF (arrêt) jusqu'à ce que tout le câblage vers les circuits de charge soit terminé.

2 Ensembles de cordons connectés à des circuits de 120 V (connecteurs L5-20R) :

- Connecter le fil vert à la barre de mise à la terre.
- Connecter le fil blanc à la barre neutre.
- Connecter le fil noir au disjoncteur à 1 pôle pour ce circuit (s'assurer que le connecteur du cordon et le disjoncteur à 1 pôle sont étiquetés en conséquence).

3 Ensembles de cordons connectés à des circuits de 208 V (connecteurs L6-30R) :

- Connecter le fil vert à la barre de mise à la terre.
- Connecter le fil noir à 1 pôle du disjoncteur à 2 pôles pour ce circuit.
- Connecter le fil blanc au second pôle du disjoncteur à 2 pôles pour ce circuit.



6. Installation du câblage

6.5 Câblage de l'alimentation d'entrée

Avertissement : Avant de procéder au câblage de l'onduleur triphasé au disjoncteur principal du centre de distribution, mettre l'onduleur en position OFF (arrêt) et le désactiver complètement.

Le disjoncteur principal accepte le câblage jusqu'à 300 MCM. Les tailles de câblage minimum recommandées sont indiquées ci-dessous, mais l'électricien doit prendre la décision finale concernant le câblage selon la configuration conformément au Code national de l'électricité (NEC) et toutes les autres réglementations applicables concernant l'électricité et la sécurité.

Alimentation d'entrée vers l'entrée principale du centre de distribution doit être triphasée, à 4 fils + mise à la terre depuis une source triphasée de 120/208 V. L'utilisation de viroles sur le fil à torons est recommandée.

Capacité de l'onduleur triphasé	Taille de fil minimum recommandée*
20 kVA	6 AWG
30 kVA	3 AWG
40 kVA	1 AWG
60 kVA	000 AWG
>60 kVA	Non pris en charge - Ne pas connecter

*Conducteurs cotés pour 90 °C

Plancher surélevé

- Acheminer le câblage de la source d'alimentation triphasée, sous le plancher surélevé et le long de la base ouverte du centre de distribution.
- Utiliser l'entrée défonçable du conduit dans le centre inférieur de la boîte de disjoncteurs sous le disjoncteur principal pour fixer le conduit flexible d'entrée.
- Raccorder la source d'alimentation triphasée à la partie inférieure du disjoncteur principal, au neutre et à la mise à la terre.

Plancher en béton

- Acheminer le câblage de la source d'alimentation triphasée à travers le panneau latéral inférieur du centre de distribution. Le panneau latéral comporte deux entrées défonçables pour permettre le câblage — choisir l'entrée défonçable la plus pratique.

Remarque : Le panneau latéral peut être installé dans la position inférieure d'un côté ou l'autre du centre de distribution pour permettre le placement de la source d'alimentation triphasée.

- Utiliser l'entrée défonçable du conduit dans le centre inférieur de la boîte de disjoncteurs sous le disjoncteur principal pour fixer le conduit flexible d'entrée.
- Raccorder la source d'alimentation triphasée à la partie inférieure du disjoncteur principal, au neutre et à la mise à la terre.

Remarque : Pour garder la même rotation de phase dans le panneau de distribution comme sortie de la source CA, connecter les phases R, S et T (également appelées phases A, B et C) aux cosses du disjoncteur principal de gauche à droite.

6.6 Mise sous tension

- Mettre la source CA sous tension (onduleur) en suivant toutes les procédures de démarrage normales pour la source CA.
- Activer le disjoncteur PRINCIPAL du centre de distribution (ON). **Avvertissement! Une fois le disjoncteur principal activé, la boîte de disjoncteurs sera sous tension.**
- Vérifier que les tensions de phase à phase sont 208 V (NOM), phase à neutre sont 120 V (NOM) et neutre à mise à la terre est 0 V.
- Remettre le panneau avant de la boîte de disjoncteurs en place.
- Fermer la porte avant du centre de distribution.
- Brancher les PDU aux ensembles de cordons, comme requis pour alimenter l'équipement.
- Activer les disjoncteurs de dérivation de sortie (ON). **Avvertissement! Une fois les disjoncteurs de dérivation de sortie activés (ON), les ensembles de cordons et tout ce qui est branché aux ensembles de cordons seront sous tension.**

6.7 Mise hors tension

- Pour mettre le centre de distribution hors tension, mettre le disjoncteur principal en position OFF (arrêt). **Avvertissement! Le câblage de l'onduleur restera alimenté jusqu'à ce que l'onduleur soit mis en position OFF (arrêt).**
- Pour mettre le circuit de dérivation de sortie hors tension, mettre le disjoncteur de dérivation de sortie correspondant en position OFF (arrêt). **Avvertissement! La boîte de disjoncteurs demeurera alimentée jusqu'à ce que le disjoncteur principal ait été mis en position OFF (arrêt).**

7. Entreposage et entretien

Entreposage

Le centre de distribution doit être entreposé dans un environnement propre et sûr et où la température est inférieure à 40° C (104° F) et l'humidité relative est inférieure à 95 % (sans condensation). Entreposer le centre de distribution dans son conteneur d'expédition original si possible.

Entretien

Le produit Tripp Lite est couvert par la garantie décrite dans ce manuel. Une variété de programmes de garantie prolongée et de service d'entretien sont également offerts par Tripp Lite. Pour obtenir plus de renseignements sur le service, visiter triplite.com/support. Avant de retourner le produit pour la réparation, procéder comme suit :

1. Passer en revue les procédures d'installation et de fonctionnement dans ce manuel afin de vous assurer que le problème ne provient pas d'une mauvaise interprétation des instructions.
2. Si le problème persiste, ne pas communiquer avec le fournisseur et ne pas lui renvoyer le produit. Visiter plutôt triplite.com/support.
3. Si le problème nécessite une réparation, visiter triplite.com/support et cliquer sur le lien de retours de produit. À partir de ce point, il est possible de demander une autorisation de retour de matériel (RMA), qui est requise pour le service. Ce simple formulaire en ligne demandera le modèle de l'appareil et le numéro de série, ainsi que d'autres informations générales. Le numéro d'autorisation du retour du matériel ainsi que les instructions pour l'expédition seront envoyés par courrier électronique. Les dommages (directs, indirects, particuliers ou consécutifs) encourus par le produit lors du transport à Tripp Lite ou à un service autorisé Tripp Lite ne sont pas couverts par la garantie. Les frais liés au transport des produits expédiés à Tripp Lite ou à un centre de service autorisé Tripp Lite doivent être entièrement payés d'avance. Inscrire le numéro de RMA à l'extérieur de l'emballage. Si le produit est dans sa période de garantie, joindre une copie du reçu de caisse. Retourner le produit pour réparation par un transporteur assuré à l'adresse fournie lors de la demande de « RMA ».

8. Garantie

Garantie limitée

Le vendeur garantit ce produit, s'il est utilisé conformément à toutes les instructions applicables, est exempt de tous défauts de matériaux et de fabrication pour une période de 1 an à partir de la date d'achat initiale. Si le produit s'avère défectueux en raison d'un vice de matière ou de fabrication au cours de cette période, le vendeur s'engage à réparer ou remplacer le produit, à sa seule discrétion. Le service sous cette garantie inclut les pièces et la main-d'œuvre du centre de service de Tripp Lite. Tripp Lite offre des plans de services sur place par le biais de partenaires de service autorisés (dans la plupart des régions). Pour plus de détails, visiter triplite.com/support. Les clients internationaux doivent contacter l'assistance de Tripp Lite à intlservice@triplite.com.

CETTE GARANTIE NE S'APPLIQUE PAS À L'USURE NORMALE OU AUX DOMMAGES RÉSULTANT D'UNE MAUVAISE UTILISATION, D'UN ABUS OU D'UNE NÉGLIGENCE. LE VENDEUR N'ACCORDE AUCUNE GARANTIE EXPRESSE AUTRE QUE LA GARANTIE EXPRESSÉMENT DÉCRITE DANS LE PRÉSENT DOCUMENT. SAUF DANS LA MESURE OÙ CELA EST INTERDIT PAR LA LOI EN VIGUEUR, TOUTE GARANTIE IMPLICITE,

Y COMPRIS TOUTES LES GARANTIES DE QUALITÉ MARCHANDE OU D'ADAPTATION, SONT LIMITÉES À LA PÉRIODE DE GARANTIE CI-DESSUS ET CETTE GARANTIE EXCLUT EXPRESSÉMENT TOUS DOMMAGES DIRECTS ET INDIRECTS. (Certains États ne permettent pas de limitations sur la durée d'une garantie implicite, et certains États ne permettent pas l'exclusion ou la limitation des dommages fortuits ou consécutifs, de sorte que les limitations ou exclusions susmentionnées peuvent ne pas s'appliquer à vous. Cette garantie vous donne des droits légaux spécifiques, et vous pouvez avoir d'autres droits qui varient selon le territoire.)

Tripp Lite; 1111 W. 35th Street; Chicago IL 60609; USA

AVERTISSEMENT : L'utilisateur individuel doit prendre soin de déterminer avant l'utilisation si cet appareil est approprié, adéquat et sûr pour l'usage prévu. Puisque les utilisations individuelles sont sujettes à des variations importantes, le fabricant ne fait aucune déclaration ou garantie quant à l'aptitude ou l'adaptation de ces dispositifs pour une application spécifique.

Renseignements sur la conformité à la directive DEEE pour les clients de Tripp Lite et les recycleurs (Union européenne)



En vertu de la directive et des règlements d'application relatifs aux déchets d'équipements électriques et électroniques (DEEE), lorsque des clients achètent de l'équipement électrique et électronique neuf de Tripp Lite, ils ont droit :

- D'envoyer l'équipement usagé au recyclage pourvu qu'il soit remplacé par un équipement équivalent (cela varie selon les pays)
- De retourner le nouvel équipement afin qu'il soit recyclé à la fin de sa vie utile

Il n'est pas recommandé d'utiliser cet équipement pour des appareils de survie où une défaillance de cet équipement peut, selon toute vraisemblance, entraîner la défaillance de l'appareil de maintien de la vie ou de nuire de façon majeure à sa sécurité ou à son efficacité.

La politique de Tripp Lite en est une d'amélioration continue. Les caractéristiques techniques sont modifiables sans préavis. Les produits réels peuvent différer légèrement des photos et des illustrations.

