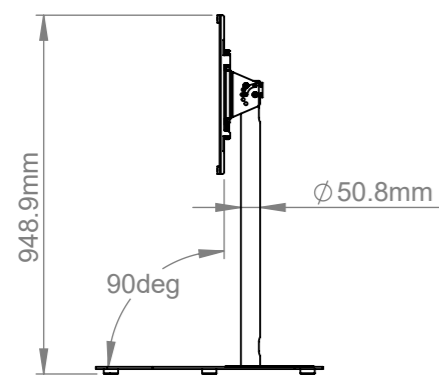
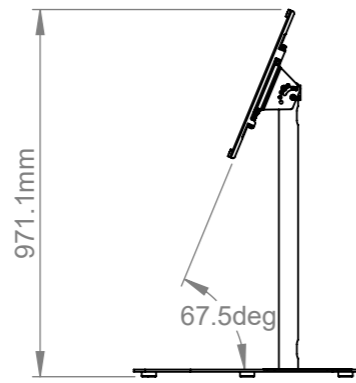


ISOMETRIC VIEW

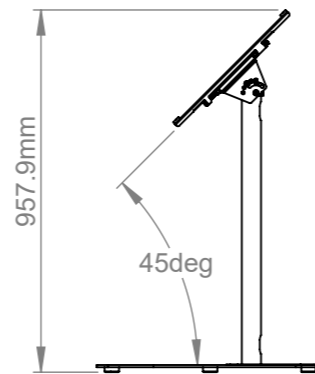
ISOMETRIC VIEW



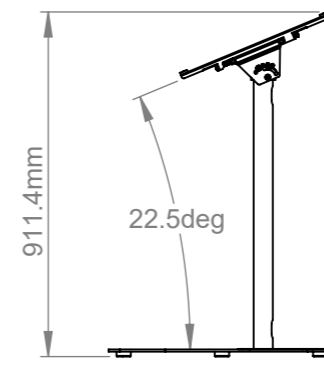
90° TILT  
SCALE 1:20



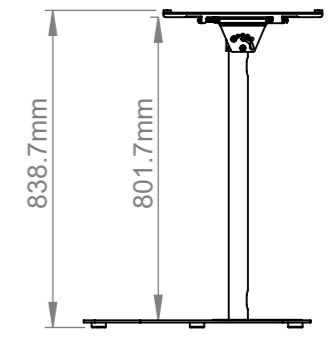
67.5° TILT  
SCALE 1:20



45° TILT  
SCALE 1:20



22.5° TILT  
SCALE 1:20

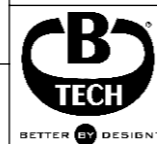


0° TILT  
SCALE 1:20

**B-Tech International Design & Manufacturing Limited**  
Part of the B-Tech International Group

**B-Tech No:** BT8541

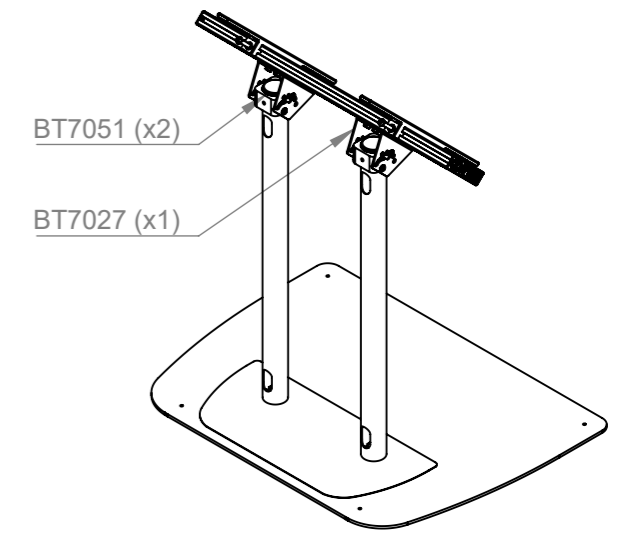
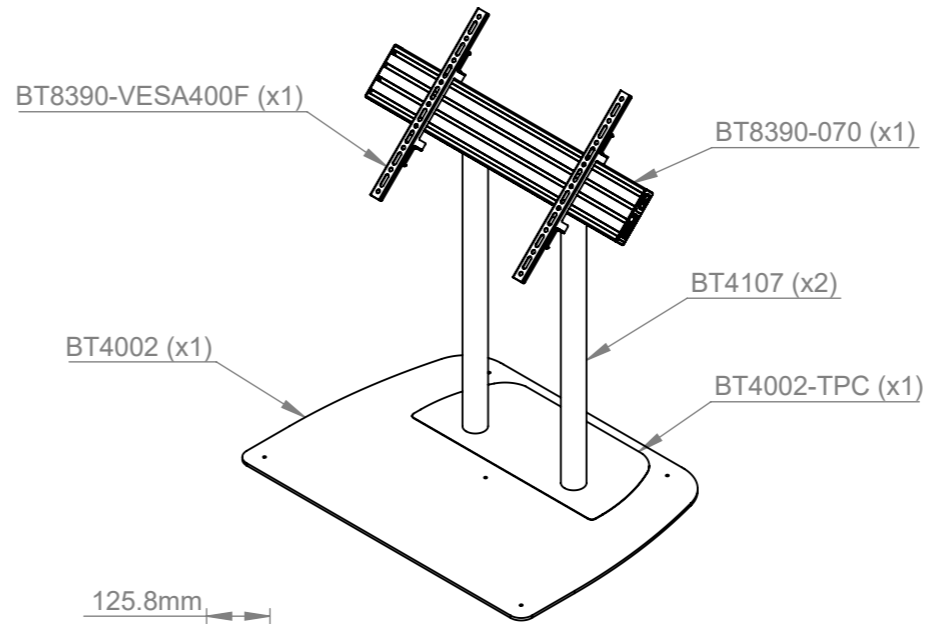
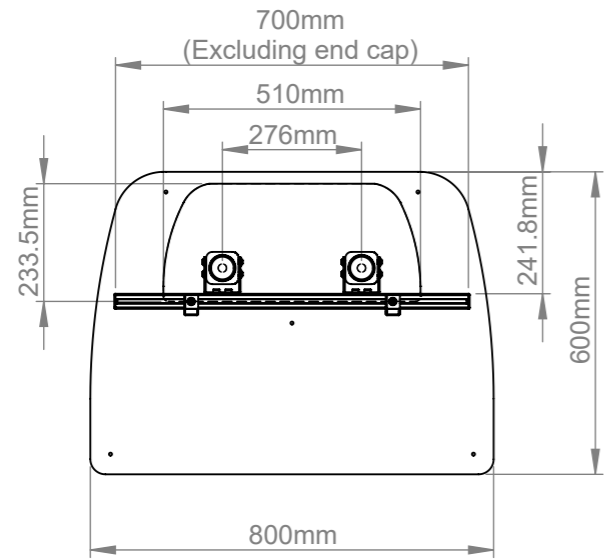
**Title:** Low Level Flat Screen Floor Stand



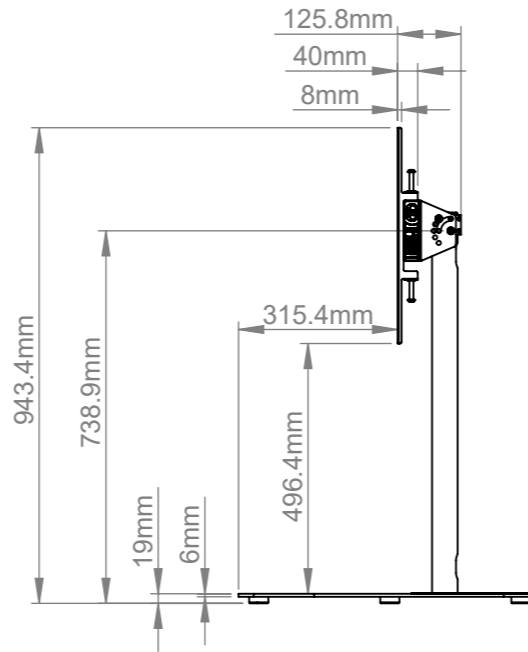
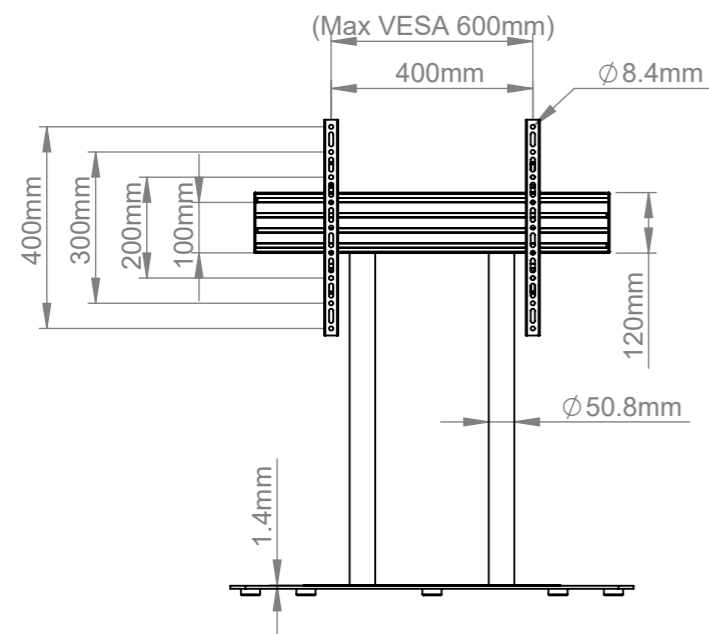
UNLESS OTHERWISE SPECIFIED DIMENSIONS ARE IN MILLIMETERS

**Size:** A3  
**Scale:** 1:15  
**Sheet:** 1 of 2

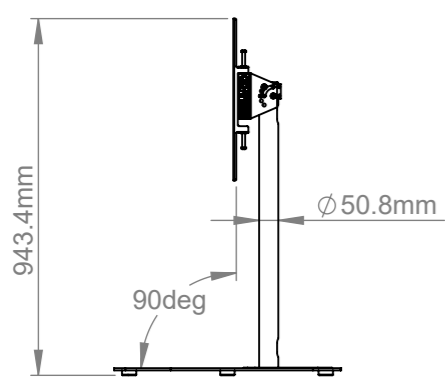
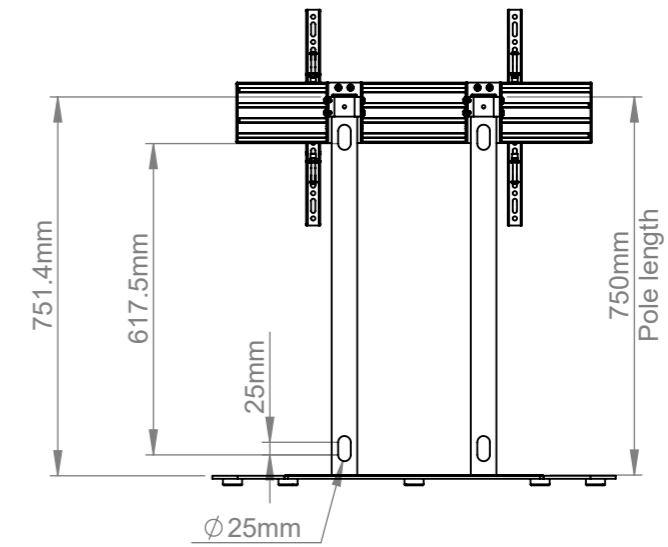
**Revision:** R00  
**Date:** 01/09/2021  
**File Name:** BTD-BT8541



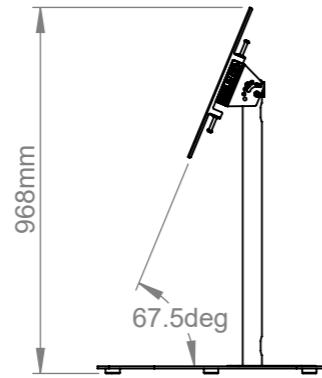
ISOMETRIC VIEW



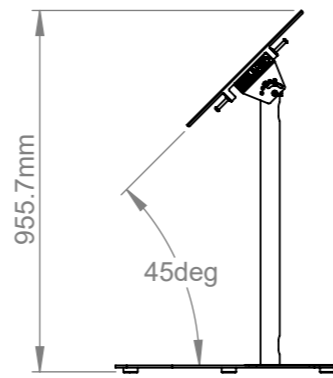
ISOMETRIC VIEW



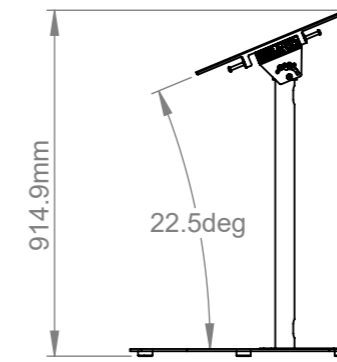
90° TILT  
SCALE 1:20



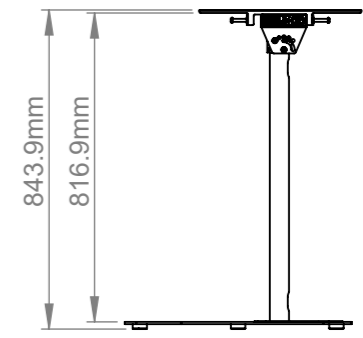
67.5° TILT  
SCALE 1:20




45° TILT  
SCALE 1:20



22.5° TILT  
SCALE 1:20



0° TILT  
SCALE 1:20

|  |                      |   |
|--|----------------------|---|
| <b>B-Tech International Design &amp; Manufacturing Limited</b><br>Part of the B-Tech International Group                                       |                      | <b>B-Tech No:</b> BT8541                        |
|  |                      | <b>Title:</b> Low Level Flat Screen Floor Stand |
|  UNLESS OTHERWISE SPECIFIED DIMENSIONS ARE IN MILLIMETERS | <b>Size:</b> A3      | <b>Revision:</b> R00                            |
|  | <b>Scale:</b> 1:15   | <b>Date:</b> 01/09/2021                         |
|  | <b>Sheet:</b> 2 of 2 | <b>File Name:</b> BTD-BT8541                    |