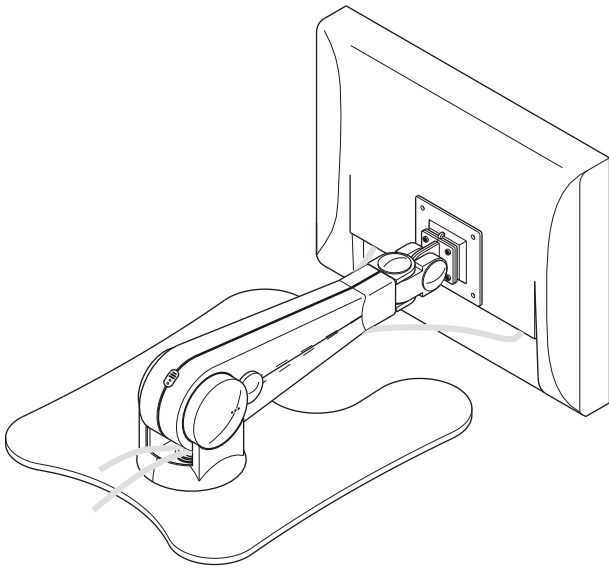


# LCD Monitor Arm



## Before starting Assembly


We suggest you spend a short time reading through this leaflet then follow the simple step by step guide to assembly. Some panels are viewed differently from the exploded drawing below, this is for extra clarity.

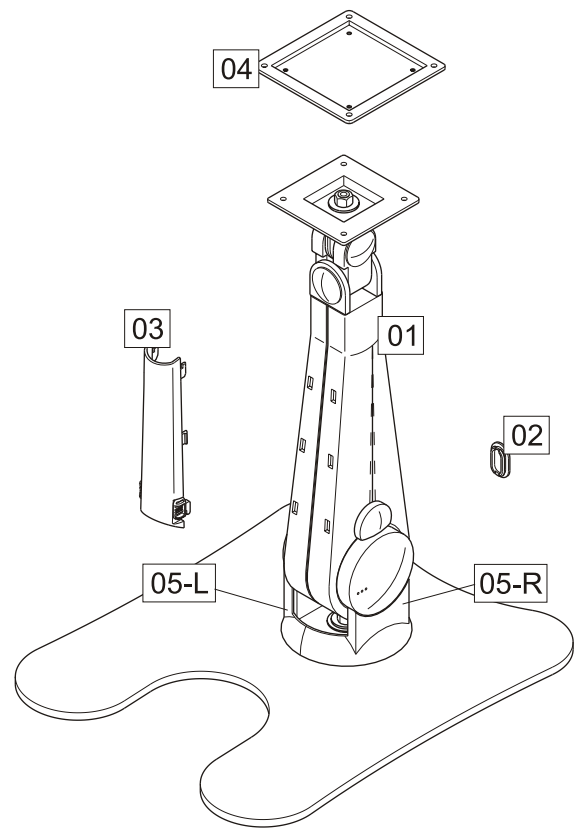
Do not discard any of the packaging until you have checked all the parts and the pack of fittings. If you are missing any of the parts, contact store from which you purchased your products where the staff will do their best to help you.

## PARTS CHECK-LIST

Code	Component	Qty
01	Arm	1
02	Rubber Cap	1
03	Cable Cover	1
04	Connector Plate	1
05	Base Cover	1pair

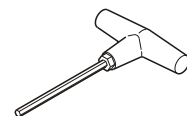
## FITTING CHECK-LIST

Code	Description	Qty
06	Pad 	4
07	Screw 	8



## TOOLS CHECK-LIST

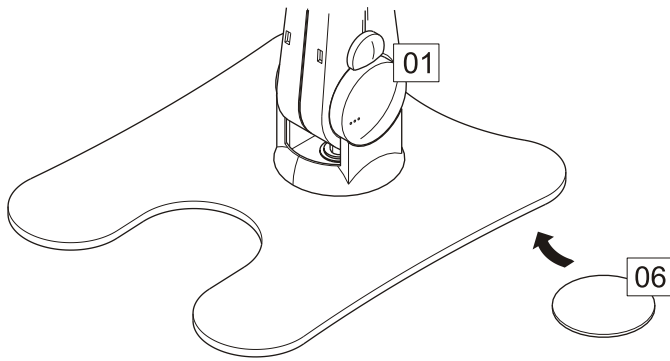
ALLEN KEY



## CAUTION:

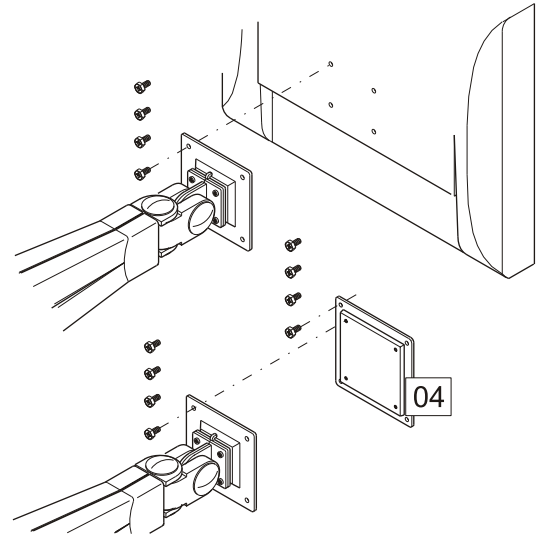
Usually regular cleaning with a clean dry cloth is sufficient, but for stubborn marks wipe over gently with a clean damp cloth. Never use strong detergents or abrasive cleaners as these may damage the surface finish of your furniture. There are many small components used in the construction of this unit. These loose items should be kept away from young children whilst assembling your unit.

# Assembly Guide



06  x4

Remove 06 pad cover and adhere to bottom of metal plate at four corners to prevent slippery.

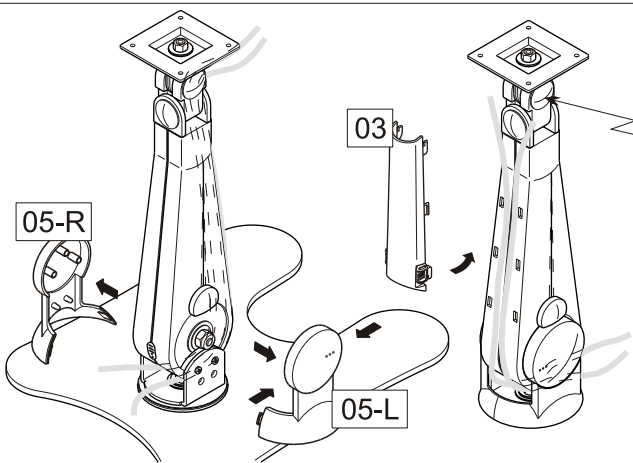


07  x8

**Check your LCD panel first to find which VESA standard interface it supports before assembling.**

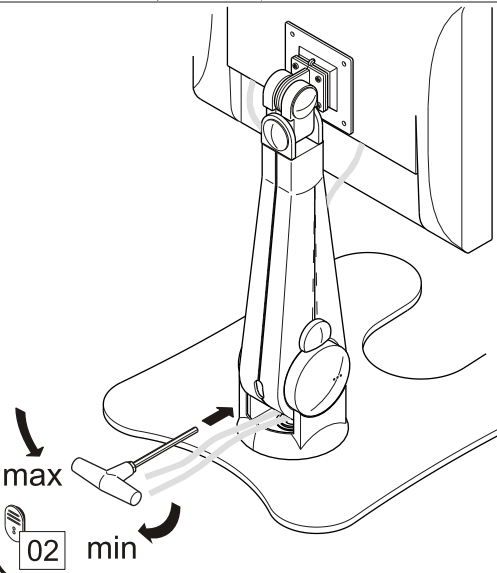
**75 mm x 75 mm VESA standard interface**  
Secure the arm to the rear of the LCD panel with screws 07.

**100 mm x 100 mm VESA standard interface**  
Secure 100 x 100 mm plate 04 to the arm with screws 07, then secure the arm to the rear of the LCD panel with screws 07.



The loading weight of universal joint is initially fixed below 6 kgs. Consult the store where you purchased about adjusting weight over 6 kgs.

Press two sides of 05-L lightly and remove 05-R, 05-L outwards. Let the cables run through the bottom of the arm and then press cable cover 03 to the arm to fix cables steady. Assemble 05-L and 05-R back to arm after finish cable managing.



Remove the rubber cap 02, use the Allen key provided to adjust the weight capacity from 3 to 8 kgs. The weight is originally set up at 3 kgs.

**ADJUSTMENT:**

Be sure to adjust the weight in a vertical position as illustrated. Twist the Allen key in a clockwise direction for less weight; counterclockwise direction, more weight. Make sure of the LCD panel weight prior to adjusting the weight according to the instruction.

Panel weight
4 kgs
5-6 kgs
7-8 kgs

Counterclockwise direction
4 turns
5-7 turns
8-10 turns

max  min