

## FPMA-VESA100

## NEOMOUNTS VESA ADAPTER PLATE

### SPECIFICATIONS

#### GENERAL

|                   |                    |
|-------------------|--------------------|
| Min. screen size* | 10 inch            |
| Max. screen size* | 30 inch            |
| Min. weight       | 0 kg (per screen)  |
| Max. weight       | 25 kg (per screen) |
| Screens           | 1                  |
| VESA minimum      | 75x75 mm           |
| VESA maximum      | 100x100 mm         |

#### FUNCTIONALITY

|                 |       |
|-----------------|-------|
| Type            | Fixed |
| Adjustment type | None  |

#### INFORMATION

|               |               |
|---------------|---------------|
| Color         | Black         |
| Main material | Steel         |
| Warranty      | 5 year        |
| EAN code      | 8717371440213 |

\*Please note: The inch sizes stated are just an indication, combined with the weight and VESA sizes. The maximum weight and VESA size are absolute restrictions for the products and should not be exceeded.



Neomounts

### Neomounts VESA Conversion Plate from VESA 75x75mm to 100x100mm - Black

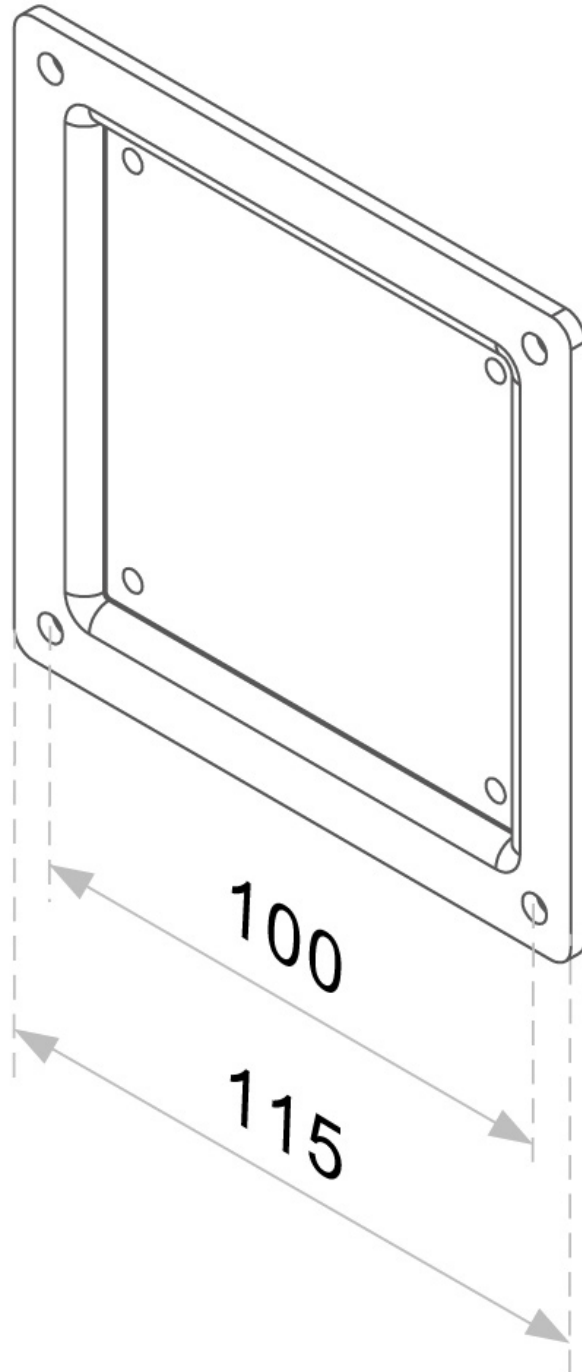
The Neomounts VESA adapter, model FPMA-VESA100 allows a VESA mount with 75x75 mm interface to be used with displays with VESA hole patterns of 100x100. Ideal when flat screen needs different VESA pattern to select wall-, desk- or ceiling mount.

Neomounts FPMA-VESA100 is suitable for screens up to 30" (75 cm). The weight capacity of this product is 25 kg each screen. Depth of this adapter is 3 millimetres only. The adapter is suitable for screens that meet VESA hole pattern 100x100 mm. Different hole patterns can be covered using Neomounts VESA adapter plates.

All installation material is included with the product.

FPMA-VESA100

NEOMOUNTS VESA ADAPTER PLATE



Neomounts

Measuring unit: mm