



C2G[®]
A brand of **legrand**[®]

DATA SHEET

USB-C[®] Male to USB-A Male Cable – USB 2.0 (480Mbps)

Connect a USB-C enabled device to a USB-A port on a computer for charging, powering, and syncing data

OVERVIEW

The USB-C Male to USB-A Male Cable – USB 2.0 (480Mbps) is ideal for connecting any standard USB-C enabled device to a USB-A device or accessory for charging and data transfer.

Ensure that a USB-C equipped smartphone or tablet has a full charge and ready to go from the 500mA charging output while simultaneously transferring photos, music, or data at speeds up to 480Mbps. Backward compatible with previous USB specifications and devices.

The symmetrical design of the USB-C connector is identical on both sides, so it does not matter if you plug it in upside-down or right-side-up. It will plug in the first time, every time, while preventing damage to the connector port. There is no need to worry about software or drivers to install. The plug-and-play feature makes it simple to connect and start using right away.

FEATURES

- Designed to support USB 2.0 (480Mbps) communication and features
- 500mA charging output to keep your devices fully charged and ready to go
- Backward compatible with previous USB specifications and devices
- Reversible, symmetrical USB-C connector
- Plug and Play—no software or driver required

ITEM DESCRIPTION

C2G28884	1.5ft (0.5m) USB-C Male to USB-A Male Cable – USB 2.0 (480Mbps)
----------	---

ELECTRICAL SPECIFICATIONS

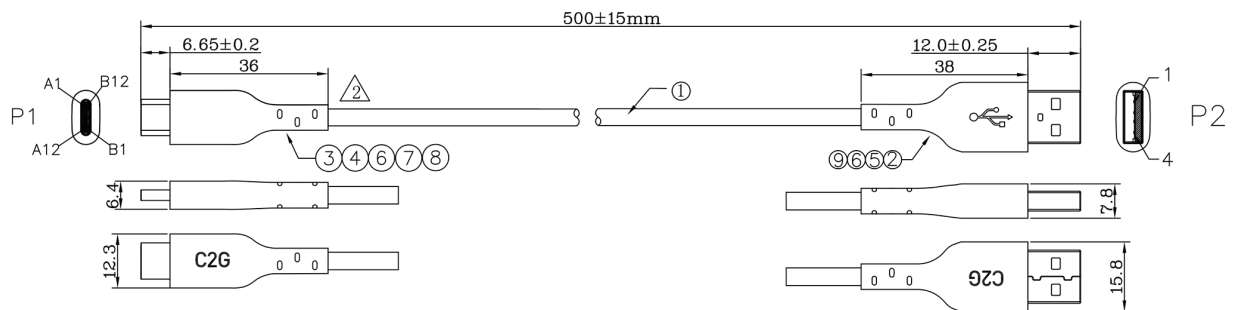
- Rating: Voltage: 30V
- Rating: Temperature: 60°
- Conductor Resistance: at 20°C Max, 588.85Ω/KM
- Insulation Resistance: 10M-KM Min at 20°C DC 500V
- Dielectric Strength: AC 500V/ 1 Minute No Breakdown

PHYSICAL SPECIFICATIONS

- Operating Temperature: 0°C to 50°C; 15-85% RH (Non-Condensing)
- Storage Temperature: -25°C to 70°C; 15-85% RH (Non-Condensing)

PHYSICAL CHARACTERISTICS

- Connector 1: USB C 2.0 Male, Nickel Plated, Black Insulation
- Connector 2: USB A 2.0 Male, Nickel Plated, White Insulation
- Cable OD: 3.00mm
- Product is CE Marked and Conforms to 2011/65/EU ROHS 2



LEGRAND | AV COMMERCIAL BRANDS

C2G | Chief | Da-Lite | Luxul | Middle Atlantic | Vaddio | Wiremold

SIMPLIFIED CONNECTIVITY

USA 800.506.9607 | c2g.com | legrandav.com | customer-service@c2g.com

EMEA +31 495 580 840 | c2g.com/uk | legrandav.com | c2g.emea@av.legrand.com

©2021 Legrand AV Inc. 210721 Rev A 11/21 C2G is a registered trademark of Legrand AV Inc. All other brand names or marks are used for identification purposes and are trademarks of their respective owners. All patents are protected under existing designations. Other patents pending.